

A detailed 1/8 scale off-road racing buggy is shown from a high-angle perspective, tilted to the right. The car has a clear plastic body, a black chassis, and large, treaded tires. The background is dark with white lightning bolts and a circular motion blur effect behind the front wheel.

S350BK4
1/8 OFF ROAD RACING BUGGY

Instruction Manual

S350 BK1

1/8 OFF ROAD RACING BUGGY

INSTRUCTION

The SWORKz S350 BK1 Pro Kit comes with loads of SWORKz Factory Team optional parts that add strength and performance to meet any competition head-on.

The SWORKz design team put a lot of effort into the weight distribution of the S350 BK1. This contributes a major factor in the car performance and general car setup. Equipped with Big Bore Shocks and oil filled differentials, the S350 delivers good traction and great balance on any off road tracks. The pivot ball steering system gives the driver a good feel while driving the S350 BK1. The Standard set up is a very easy and good start for any drivers.

Overall, the S350 BK1 is a perfect combination of design, high quality and outright performance.

Congratulations on your purchase of the new SWORKz S350 BK1 1/8 scale off-road racing buggy pro kit.

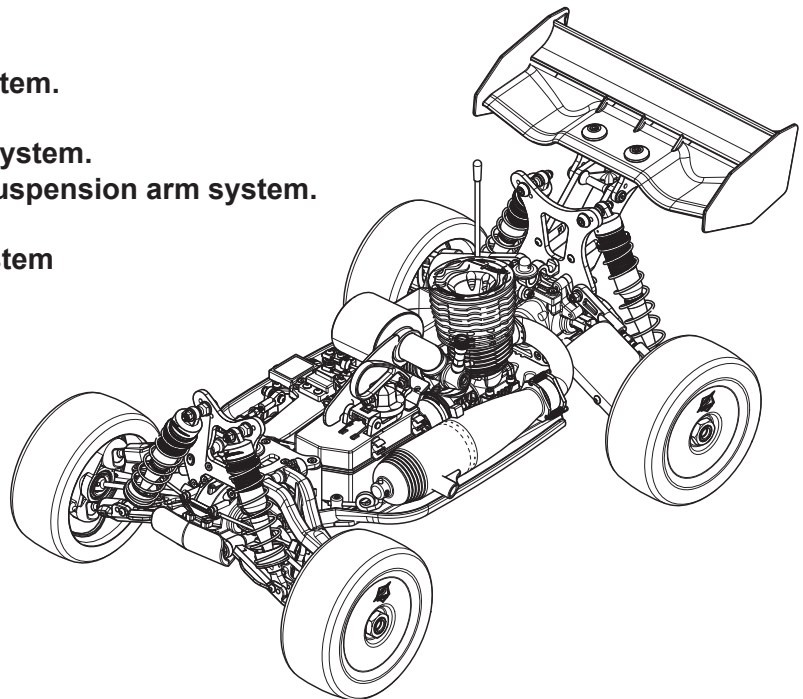
Please read this manual thoroughly, before you attempt to start or drive your S350 BK1. This manual contains step-by-step instructions to help you complete, prepare for startup, and fine-tune your Buggy. Updates, setups, and product news will be posted on our website (www.sworkz.com), so check often.

As always, if you should ever have any questions or need help with your S350 BK1, please feel free to contact our official SWORKz dealers and distributors, as they will be glad to help you. You may also contact us at any time for the most up to date information and support.

S350 BK1 Kit Features :

1. 2 Transmission Gear Box System.
2. Front and Rear Big Bore Shocks.
3. Unique 4 wheel dust protection system.
4. Double Protection Bumper design.
5. 6 degree Lay Down engine mount system.
6. Adjustable front upper and lower suspension arm system.
7. Rear kick up chassis system
8. Dust and Water proof radio box system

Specification	
Length:	530mm
Width:	308mm
Height:	220mm
Ground Clearance:	70mm
Wheelbase:	318-323mm
Track:	F:306mm / R:306mm
Gear Ratio:	C:46/13T, F/R 43/13T
Weight:	3350g





WARRANTY

Your SWORKz S350 BK1 kit warranty covers workmanship and manufacturing defects of the original and unmodified parts. Warranty claims resulting from crashes, abuse, improper operation, improper mounting, improper adjustment or lack of maintenance will not be honored.

Contact your local hobby shop or SWORKz distributor for all claims and questions. Claims must be well documented. All Claims are subject to expert examination approval by SWORKz .



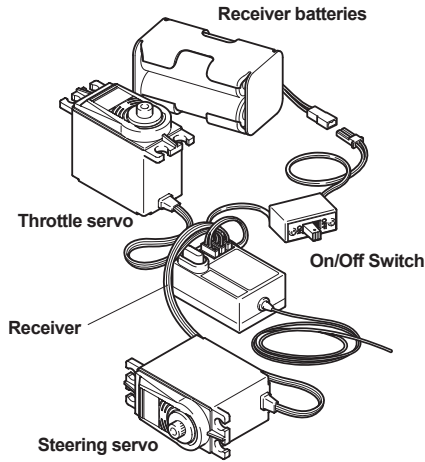
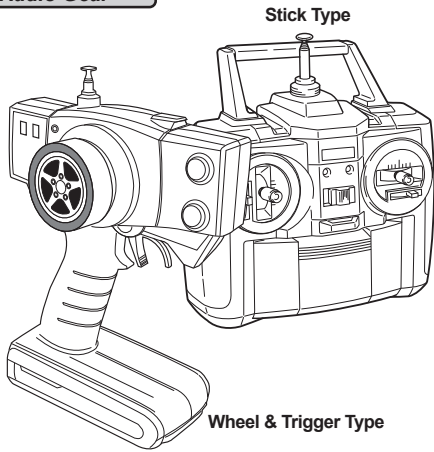
INSTRUCTION	2
Warranty	3
Required Equipment for Operation	5
Explosion View with Key No	6-13
Operation Guide / Safety Precautions	14
Assembly Steps	15-46
Set-up Sheet	47
Blank Set-up Sheet	48
S350 BK1 Key No. List	49
S350 BK1 Spare Part List	50-53
Exploded View	52
End cover	54



**This radio controlled racing car is not a toy!
This high-performance R/C model is recommended for ages
14 and older.**

Required Equipment for Operation

Radio Gear

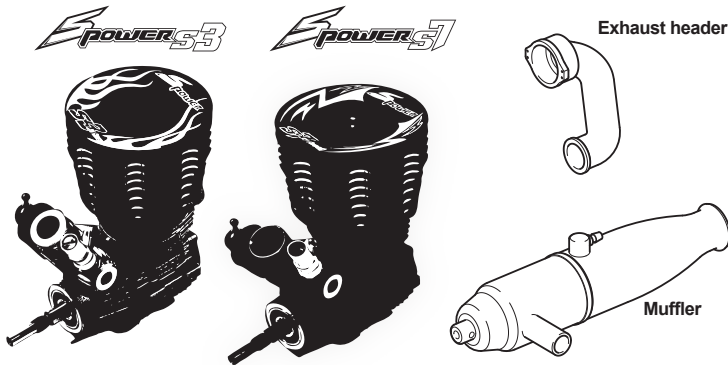


Nitro fuel

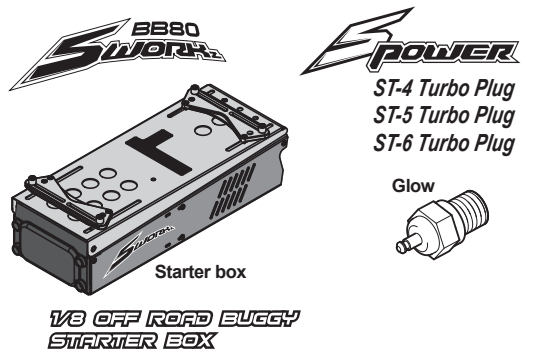
We recommend that you use fuel containing 20~25% nitro.



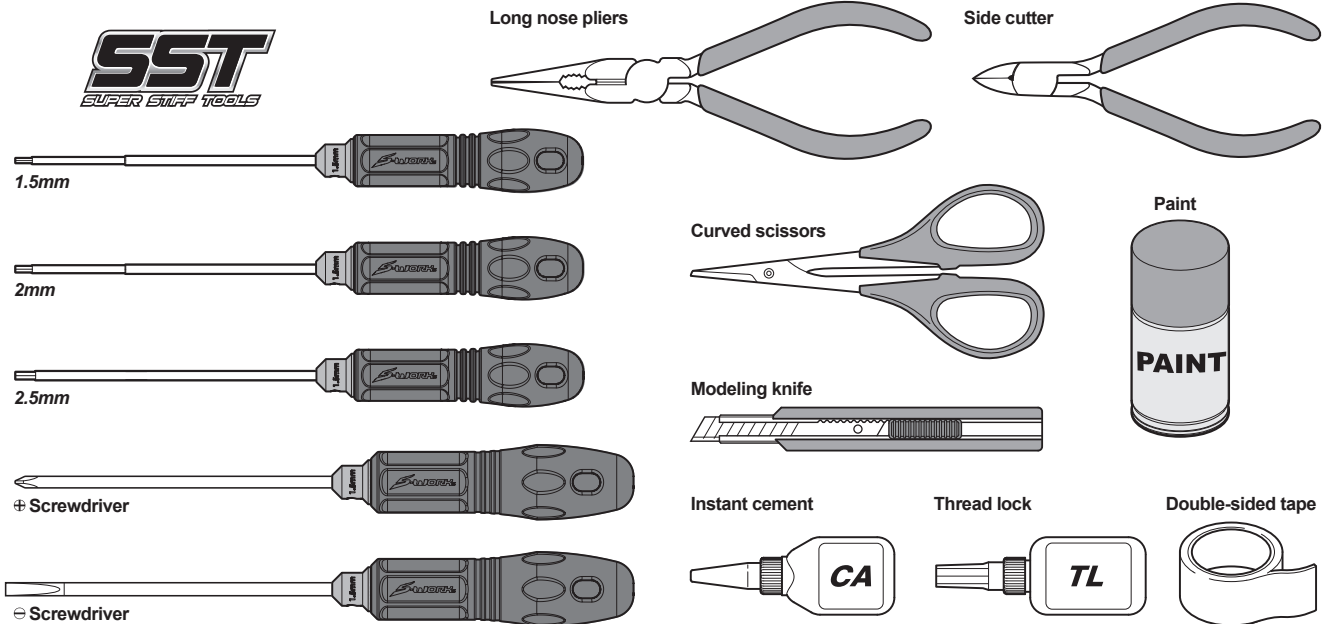
Engine Recommended



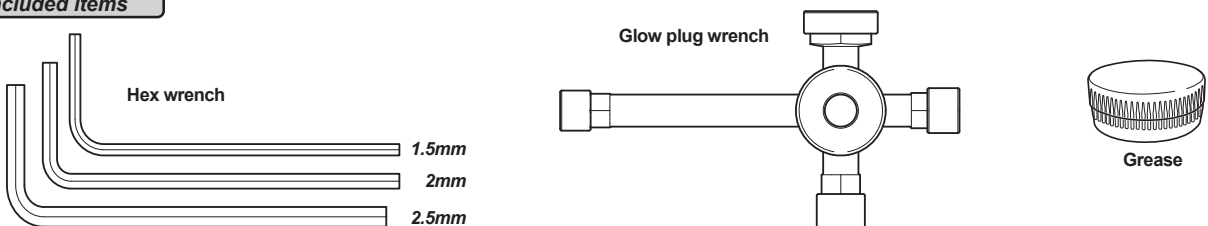
Engine Starting Equipment



Tools Recommended



Included items





104001
M5x4mm Set Screw x6



104004
M3x3mm Set Screw x14



104005
M3x4mm Set Screw x4



104007
M4x8mm Set Screw x4



104008
M4x4mm Set Screw x3



105001
M3x8mm Cap Screw x1



105004
M2.6x6mm Cap Screw x8



105005
M3x12mm Cap Screw x6



105006
M3x28mm Cap Screw x4



105007
M4x8mm I-Head Screw x4



105011
M3x23mm Cap Screw x2



106002
M3x10mm Hex Socket OH/TP Screw x7



106003
M3x16mm Hex Socket OH/TP Screw x2



106005
M3x15mm Hex Socket OH/TP Screw x9



106006
M3x20mm Hex Socket OH/TP Screw x5



106007
M3x12mm Hex Socket OH/TP Screw(HT) x6



106008
M3x12mm Hex Socket OH/TP Screw x8



106009
M3x25mm Hex Socket OH/TP Screw x4



106010
M3x6mm Hex Socket OH/TP Screw x37



108001
M3x12mm FH/ST HEX Screw x27



108003
M3x10mm FH/ST HEX Screw x28



108006
M3x8mm FH/ST HEX Screw x25



108007
M3x6mm FH/ST HEX Screw x4



108008
M3x35mm FH/ST HEX Screw x4



108009
M3x20mm FH/ST HEX Screw x4



108010
M4x10mm FH/ST HEX Screw x2



108011
M4x12mm FH/ST HEX Screw x4



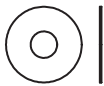
108012
M4x16mm FH/ST HEX Screw x8



108013
M4x8mm FH/ST HEX Screw x1



108014
M3x3mm FH/ST HEX Screw x4



101004
Washer 3.5X10X0.2mm x12



101011
M2.6x6xT0.6mm x4



101012
M3x6xT0.6mm x3



101013
3mm Spring Washer x4



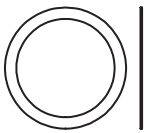
101015
M5x8xT0.4mm x5



101016
M3x8xT0.8mm x1



101017
M2.7x6xT0.3mm x3



101018
SHIM 13x16x0.2mm x6



101019
SHIM 6.0x10.0x0.2mm x4



101010
M3 Countersunk Washer x4



101014
M3 Pivot Ball Bushing x1



101020
3mm Countersunk Washers (RD) x6



103001
M3 Nut Lock x20



103003
Flange M3 Nut Lock x6



103004
M2.5 Nut Lock x4



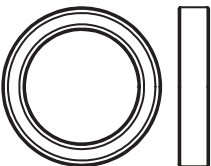
116004
Ball Bearing 6x10x3mm x4



116006
Ball Bearing 8x16x5mm x14



116010
Ball Bearing 5x10x4mm x2



116012
Ball Bearing 15x21x4mm x4



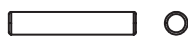
117003
Flange Ball Bearing 3x6x2.5mm x2



200135
Rear Wheel Axle Insert (1mm) x4



200136
Rear Wheel Axle Insert (2mm) x2



330124
Pin M3.0x16.8mm x4



330095
Shock Washer 3.6x7x1mm x4



330096
Shock Washer 3.6x7x2.5mm x4



330117
Knuckle Pivot Ball Washer x2



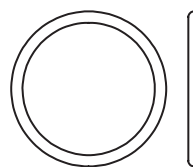
330161
S-System Pinion Gear Holder x2



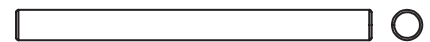
400002
O-ring S5 4.8X1.5 x6



400006
Shock Seal O-Ring x8



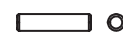
400005
Shock Spring Adjust Nut O-Ring x4



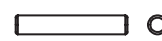
330119
Front Upper Arm HingPin x2



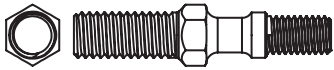
330013
Bevel Gear Shaft x6



330015
Pin M2.2x9.9mm x6



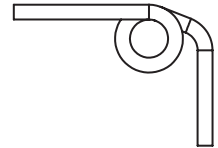
330111
Pin M2.5x14.8mm x6



330115
Steering Knuckle Pivot Ball Turnbuckle **x4**



115003
Tornado Clutch Spring **x3**



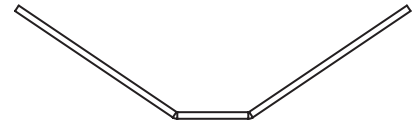
115011
Pipe Spring **x1**



330123
Rear Upper Sus. Arm Turnbuckles **x2**



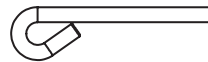
115019
Body Clip **x2**



115005
Rear Sway Ball 2.8mm **x1**



330126
Steering Turnbuckle **x2**



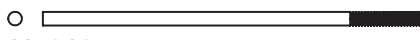
330106
Brake Cam **x2**



115008
Front Sway Ball 2.3mm **x1**



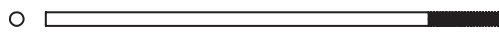
330155
Steering Servo Turnbuckle (M3x30mm) **x1**



115016
Throttle Rod 50mm **x1**



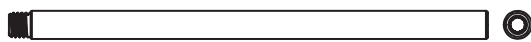
115004
Servo Saver Spring **x1**



115018
Brake Rod 60mm **x2**



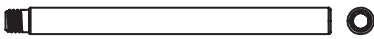
115013
Shock Spring 1.6mm (S) **x2**



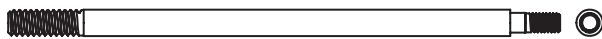
330103
Front/Rear Lower Arm HingPin **x4**



115014
Shock Spring 1.6mm (L) **x2**



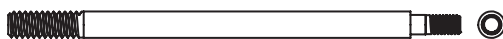
330120
Rear Hub Carriers Hing pin **x2**



330132
Shock Shaft (L) **x2**



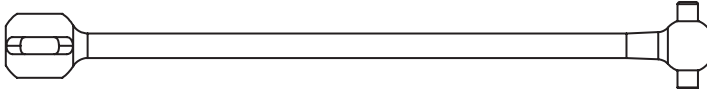
115015
Brake Spring **x2**



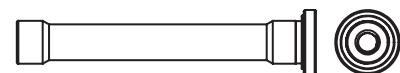
330133
Shock Shaft (S) **x2**



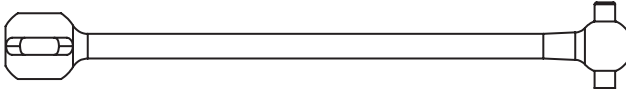
115017
Throttle Rod Spring **x1**



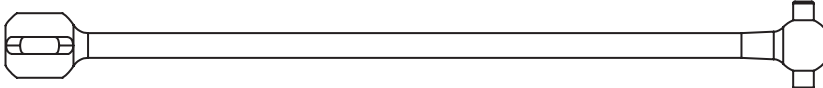
330109
F/R Drive Shaft 93.5mm **x4**



330113
Servo Saver Shaft **x2**



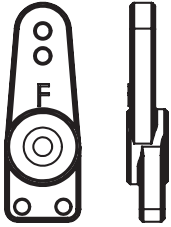
330162
S-System CVD draft shaft 82.5mm **x1**



330163
S-System CVD draft shaft 111mm **x1**



330114
Servo Saver Post **x1**



200180
Throttle Servo Horn **x1**
(For Futaba)



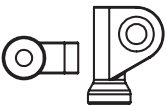
200183
Brake Servo Horn **x1**



200184
Brake Linkage Holder **x2**



200185
Throttle Linkage Ball End **x1**



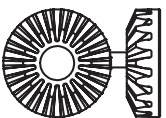
200186
Throttle Linkage Holder **x1**



200187
Throttle Linkage Holder (Done) **x1**



200188
Throttle Linkage Holder (Up) **x1**



320003
Diff. Bevel Gear 18T **x6**



320004
Diff. Bevel Gear 10T **x12**



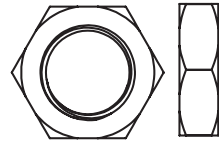
330160



330009
Tornado Fly Wheel **x1**
Center Nut



330121
Wheel Hub **x4**



330122
Wheel Nut **x4**



330130
Shock Seal Cover **x4**



330125
Rear Upper Sus. **x4**
Arm Ball Stud



330127
Steering Linkage **x4**
Ball Stud 7mm



330134
Shock Ball Stud **x10**



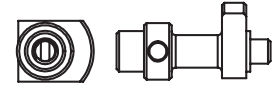
330136
Sway Bar Ball Stud **x4**



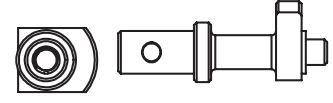
330138
Shock Cap Stud **x4**



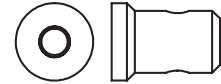
410022



330104
Brake Cam (S) **x1**



330105
Brake Cam (L) **x1**



330140
Pipe Holder **x1**



330110
CVD Join **x6**



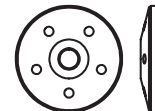
330156
Adjuster Knob **x4**



330157
Brake Adjuster Knob **x2**



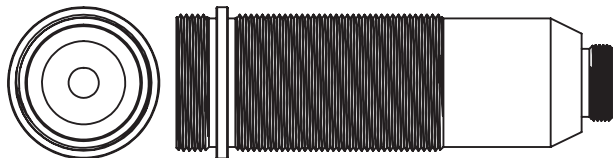
330159
Center CVD Join **x2**



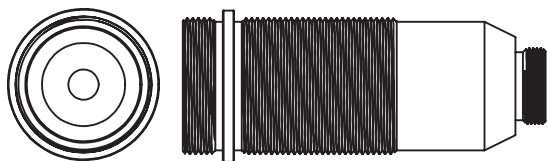
330097
Shock Piston 1.3mmx5 **x4**
holes



330116
14mm Knuckle **x4**



330128
Shock Body (L) x2



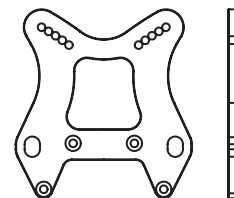
330129
Shock Body (S) x2



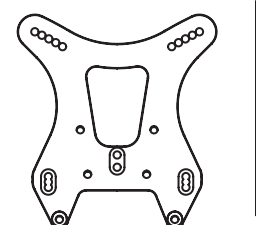
330135
Servo Saver Nut x1



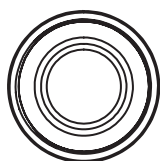
330131
Shock Spring Adjust Nut x4



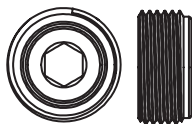
330087
Front Shock Tower (Al) x1



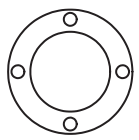
330089
Rear Shock Tower (Al) x1



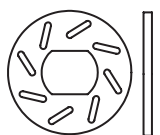
330139
Shock Cap x4



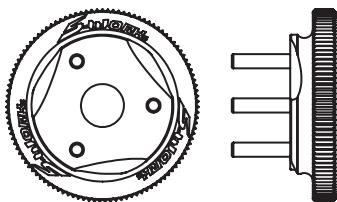
330118
Knuckle Pivot Ball Nut x4



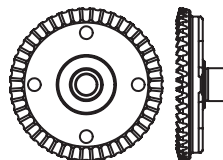
610002
Diff. Gasket (0.5T) x3



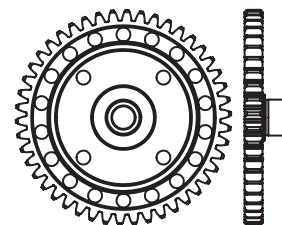
300017
Brake Disc x2



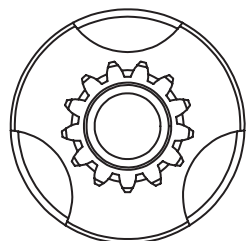
330008
Tornado Fly Wheel Set x1



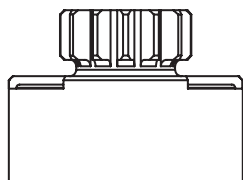
330164
Crown Gear 43T x2



330018
46T SPUR GEAR x1



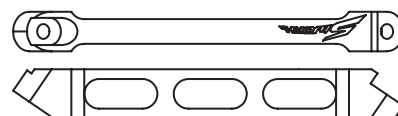
330137
Clutch Bell 13T x1



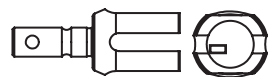
330006
Tornado Clutch Shoes x3



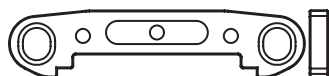
300016
Metal Brake Caliper Set x4



330153
Aluminum Front Chassis Brace x1



330017
Center Diff. Outdrive x2



330086
S350 Front Lower Suspension Plate x1



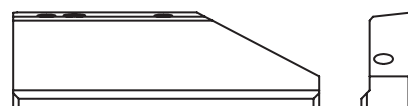
330152
Aluminum Rear Chassis Brace x1



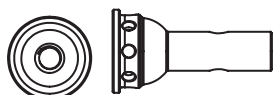
330014
Front/Rear Diff. Outdrive x4



330088
S350 Rear Lower Arm Holder x1



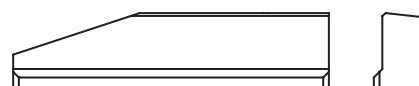
330100
Engine Mount (L) x1



330112
CVD Axle x4

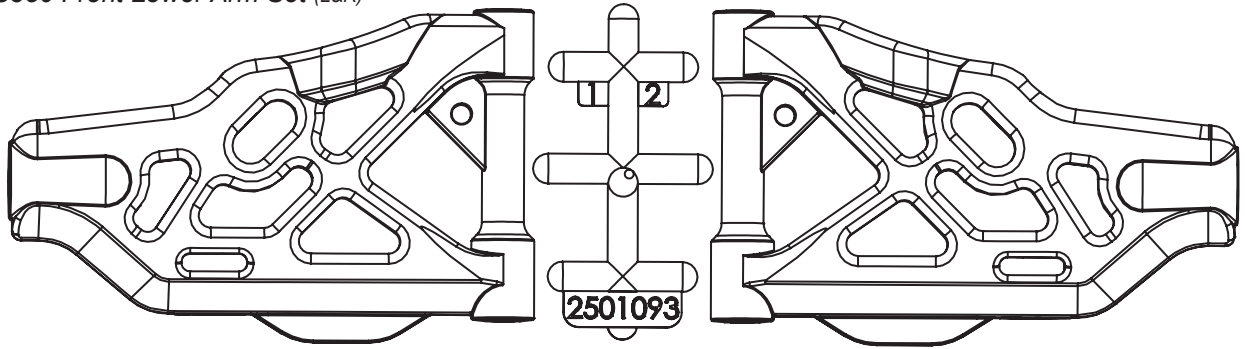


330092
Servo Saver Steering Plate x1

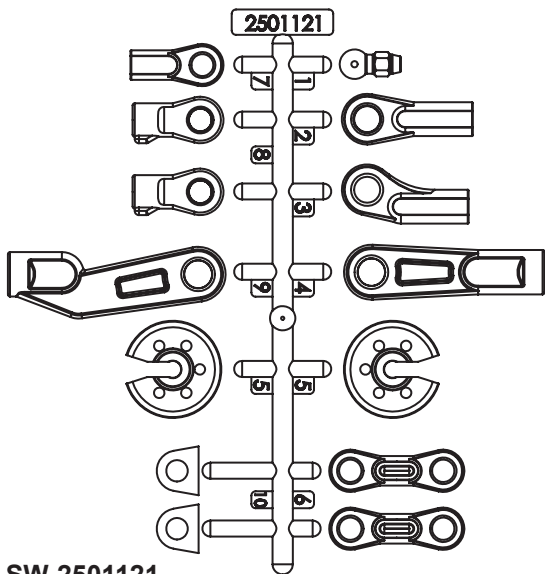
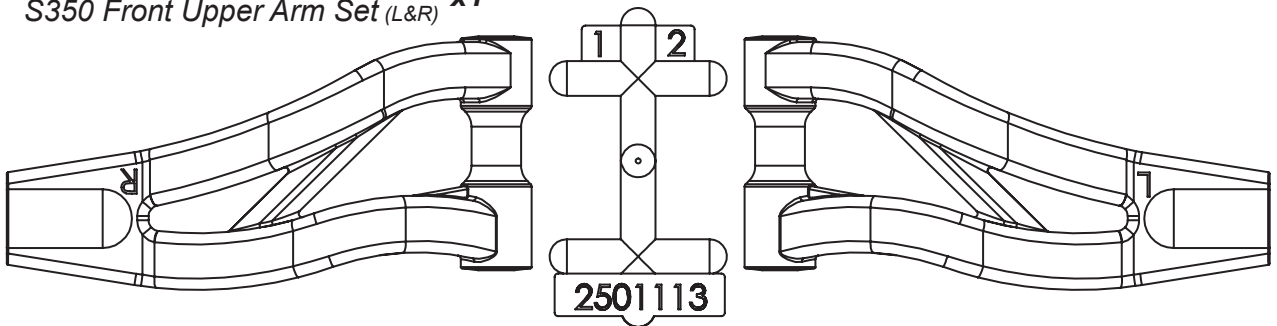


330101
Engine Mount (R) x1

SW-2501093
S350 Front Lower Arm Set (L&R) x1

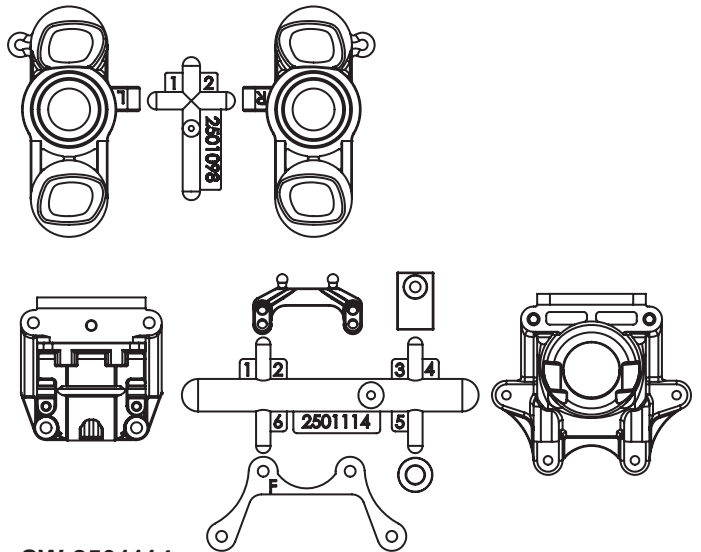


SW-2501113
S350 Front Upper Arm Set (L&R) x1



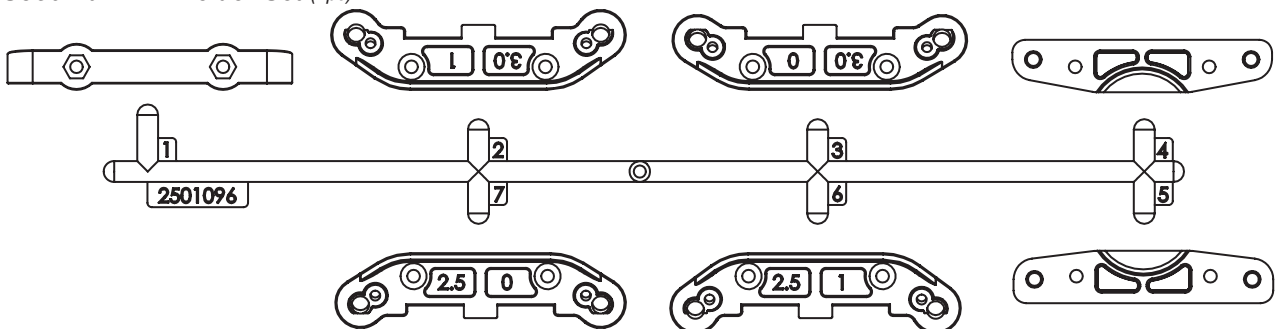
SW-2501121
S350 Ball End Set with Shock Plastic Parts (2 Set) x2

SW-2501098
S350 Front Steering Knuckle Set (L&R) x1

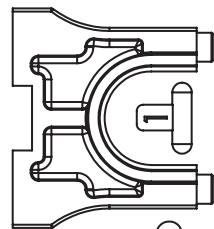
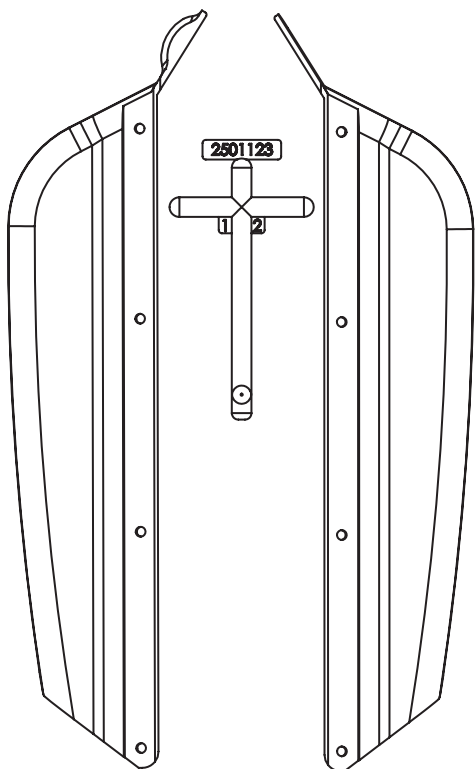


SW-2501114
S350 Gear Box Set (F&R) x2

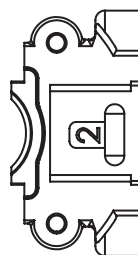
SW-2501096
S350 Full Arm Holder Set (7pc) x1



SW-2501123
S350 Side Guard Set (L&R) **x1**

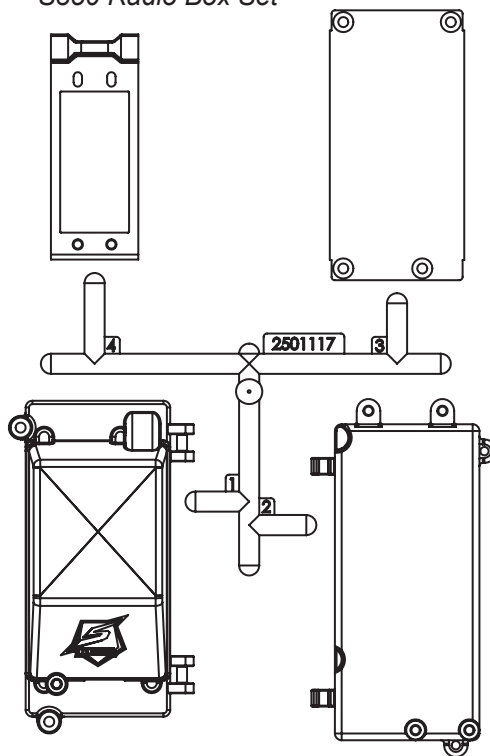


2501124

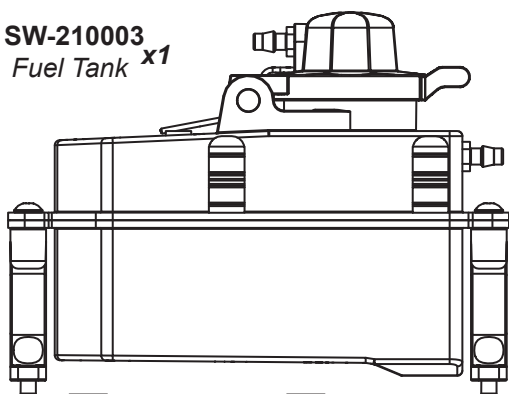


SW-210002
Center Diff. Mount **x2**
(Lower)(Upper)

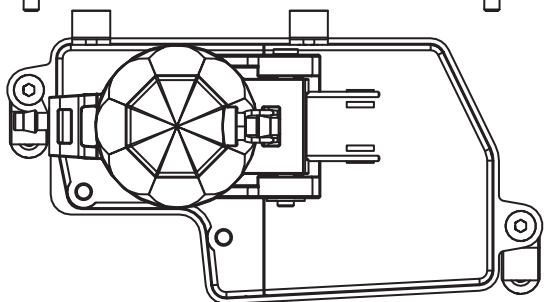
SW-2501117
S350 Radio Box Set **x1**



SW-210003
Fuel Tank **x1**

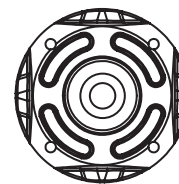
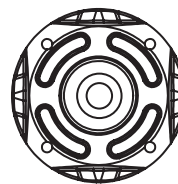


Side View

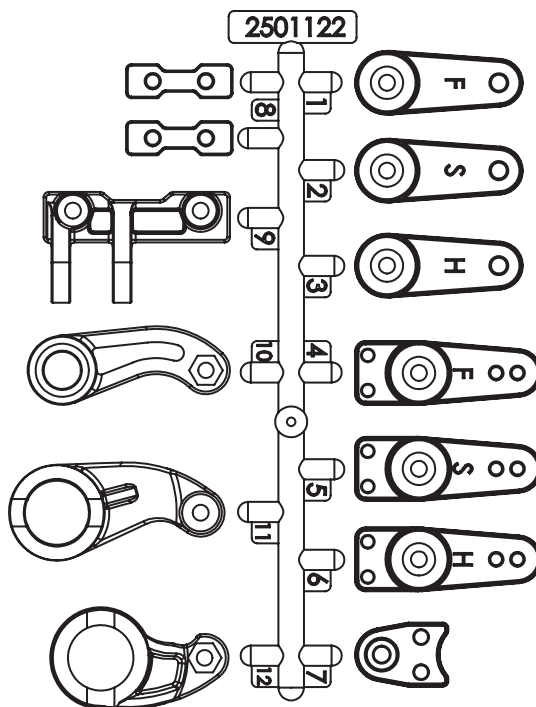


Top View

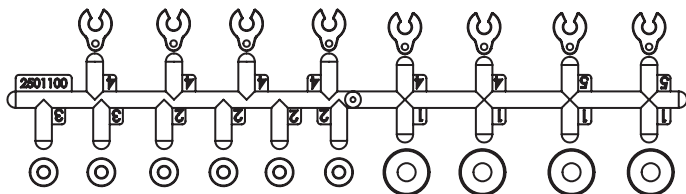
SW-210002
Diff. Case **x3**



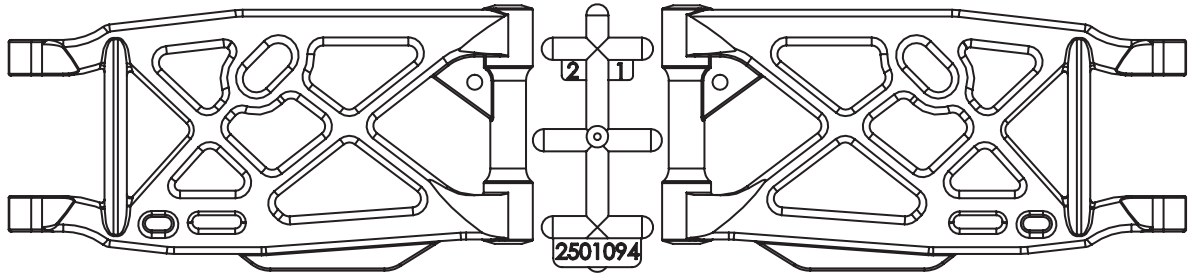
SW-2501122
S350 Setting Bellcrank Set **x1**
with Servo Horn Set



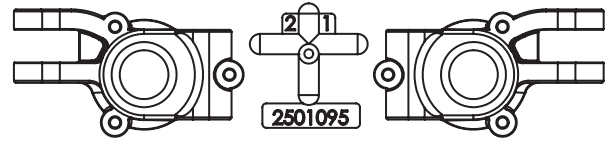
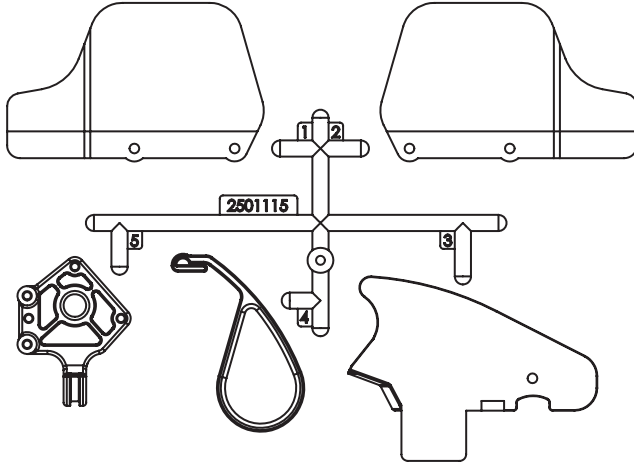
SW-2501100
S350 Pivot Ball Cup **x4**
Caster Insert Set



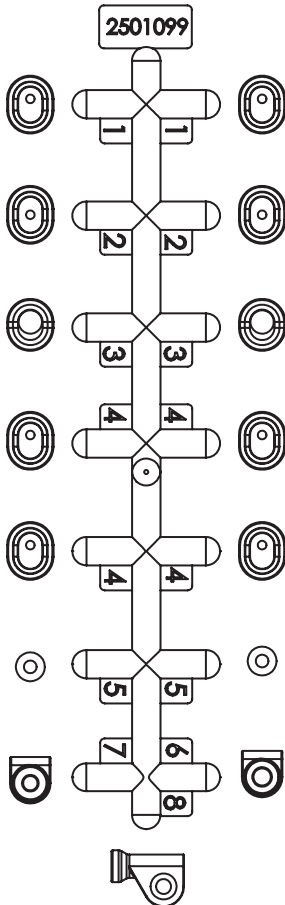
SW-2501094
S350 Rear Lower Arm Set (L&R) **x1**



SW-2501115
S350 Rear Lower Arm Dusty Cover with Fuel Sprinkle Guard **x1**

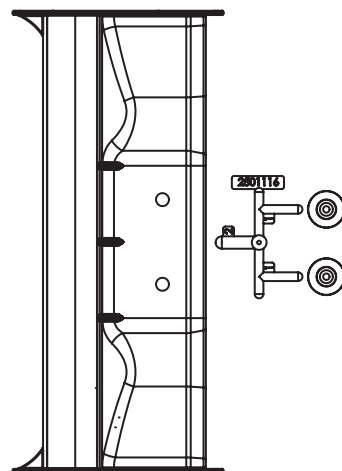
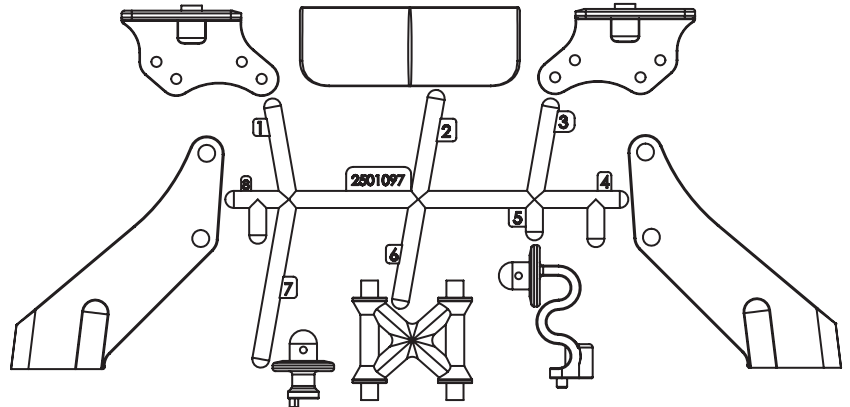


SW-2501095
S350 Rear Hub Carrier Set (L&R) **x1**



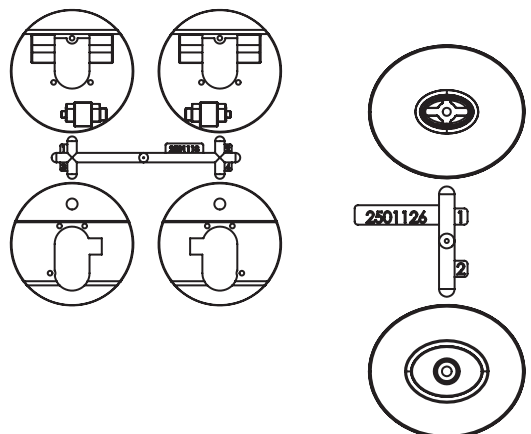
SW-2501099
S350 R/F Insert **x2**
Brake
Throttle Linkage
Linkage Holder

SW-2501097
S350 Wing Stay Set with Bumper **x1**



SW-2501116
S-WORKz
High Done Force Wing Set **x1**
(BK)(Fit S350)

SW-2501118
S350 Wheel Dusty Cover Set **x1**

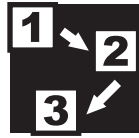


SW-2501126
Ail Filter Set **x1**

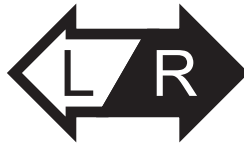
Operation Guide



Assemble front and rear



Assemble in the specified order



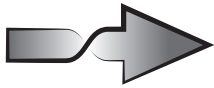
Assemble both left and right sides



Assemble for 2 sets



Assemble for 4 sets



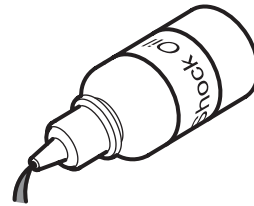
overturn



Thread Locking Compound



Grease



Pure Silicone Oil



Air filter oil

Safety Precautions

The SWORKz S350 BK1 is a high performance radio controlled model which needs to be operated with caution and common sense.

The S350 BK1 Pro Kit is not intended for children under the age of 14 without adult supervision. SWORKz shall not be held liable for any loss or damages, whether direct, indirect, act of nature, arising from the abuse or misuse of this product or any other product required while operating this model.

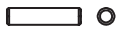
- The nitro fuel can be dangerous if improperly handled.
- Always keep your nitro fuel in a cool area and never use near flames, sparks, or while smoking.
- Keep your nitro fuel, and all other flammables, out of the reach of children.
- Always run your model in a well ventilated area outdoors. Never run your model indoors.
- After running your car, all parts of the engine and exhaust can become extremely hot. Be careful not to touch these parts especially when refueling, or making repairs.
- This model is controlled by your radio and that is vulnerable to interference from many outside sources. This interference can cause a loss of control so it is necessary to operate this model in an open area to avoid personal, or property damage. Always ensure turning on your radio first.
- Keep all the product included in the package out of reach of children.
- This model contains many fast rotating parts. Never touch them during operation.
- Follow the instruction included with your radio gear.
- Never operate your model near people or property. The speed of this model has the potential for injury and or damage to people and or property.
- Always use original SWORKz spare and option parts.
- Always ensure that your buggy is in proper working condition before use.
- Always exercise caution when using any and all tools.

BAG B

1

F
R

x2



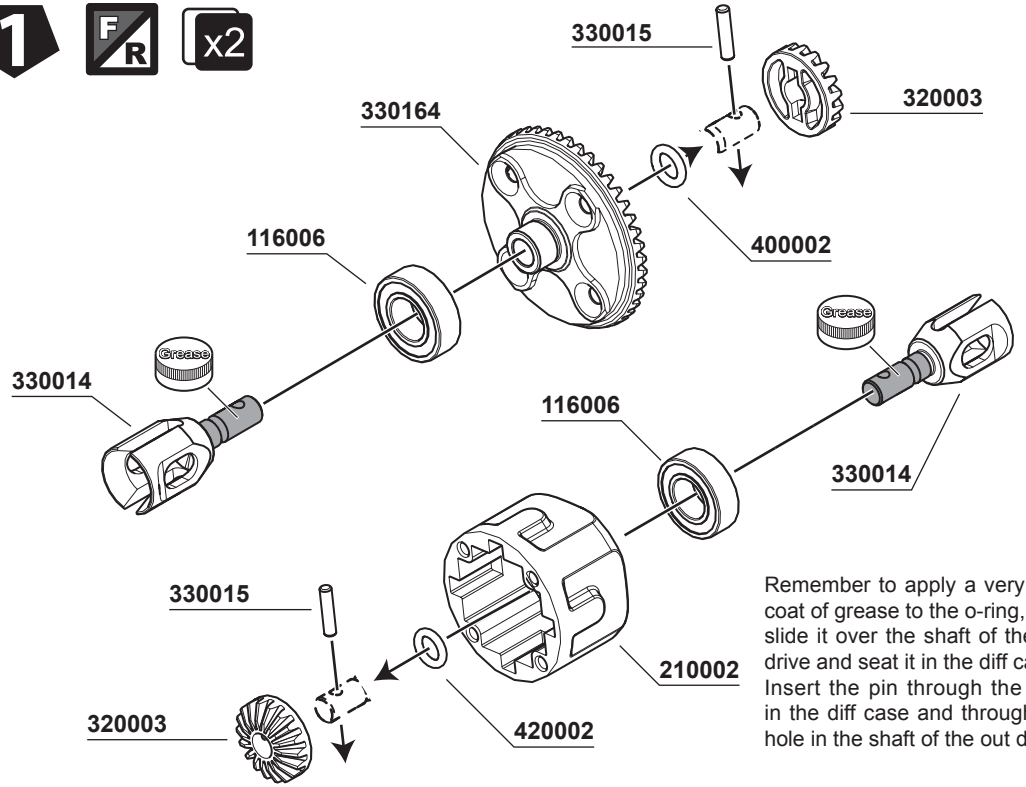
330015
Pin M2.2x9.9mm **x4**



400002
O-ring S5 4.8X1.5 **x4**



116006
Ball Bearing 8x16x5mm **x4**



Remember to apply a very light coat of grease to the o-ring, then slide it over the shaft of the out drive and seat it in the diff case. Insert the pin through the hole in the diff case and through the hole in the shaft of the out drive.

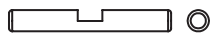
2

F
R

x2



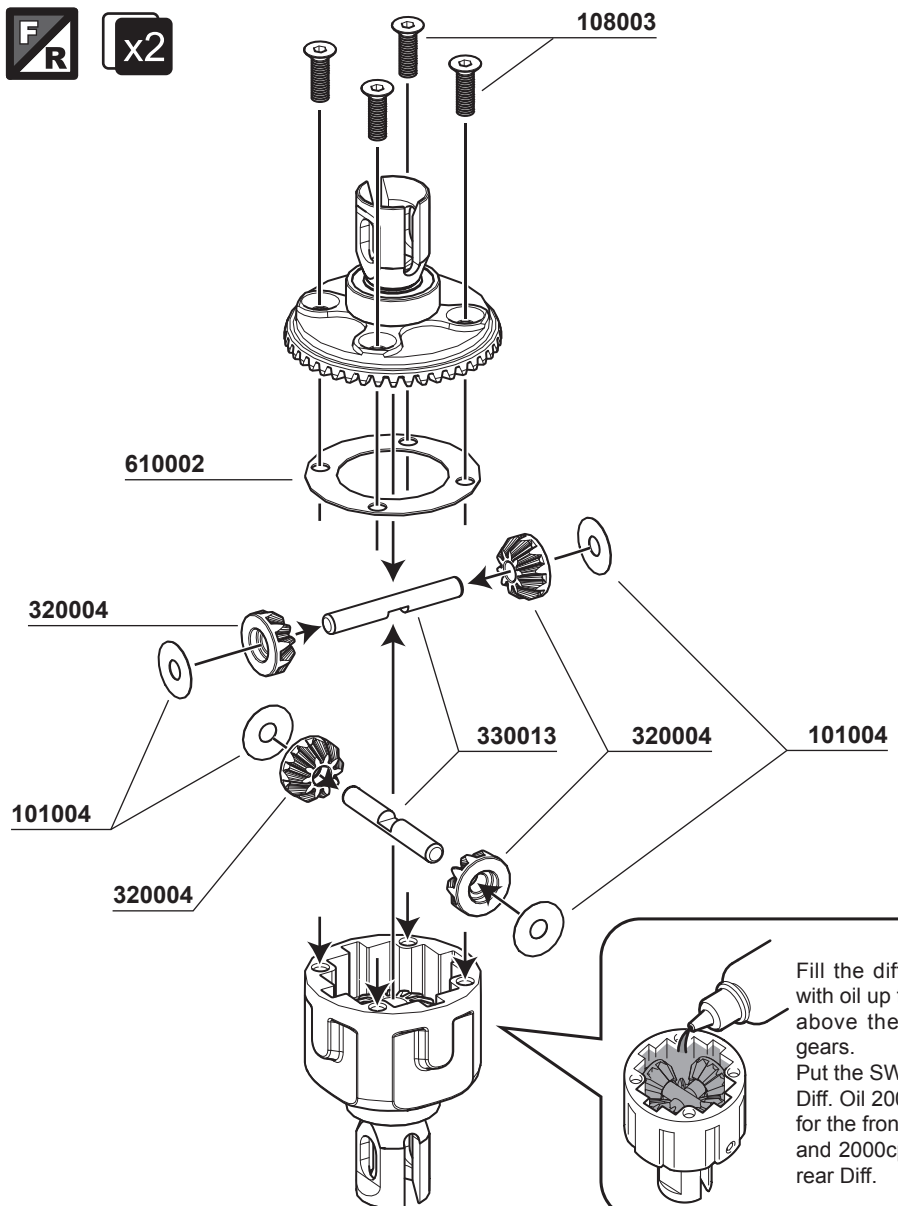
108003
M3x10mm FH/ST HEX Screw **x8**



330013
Bevel Gear Shaft **x4**

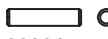




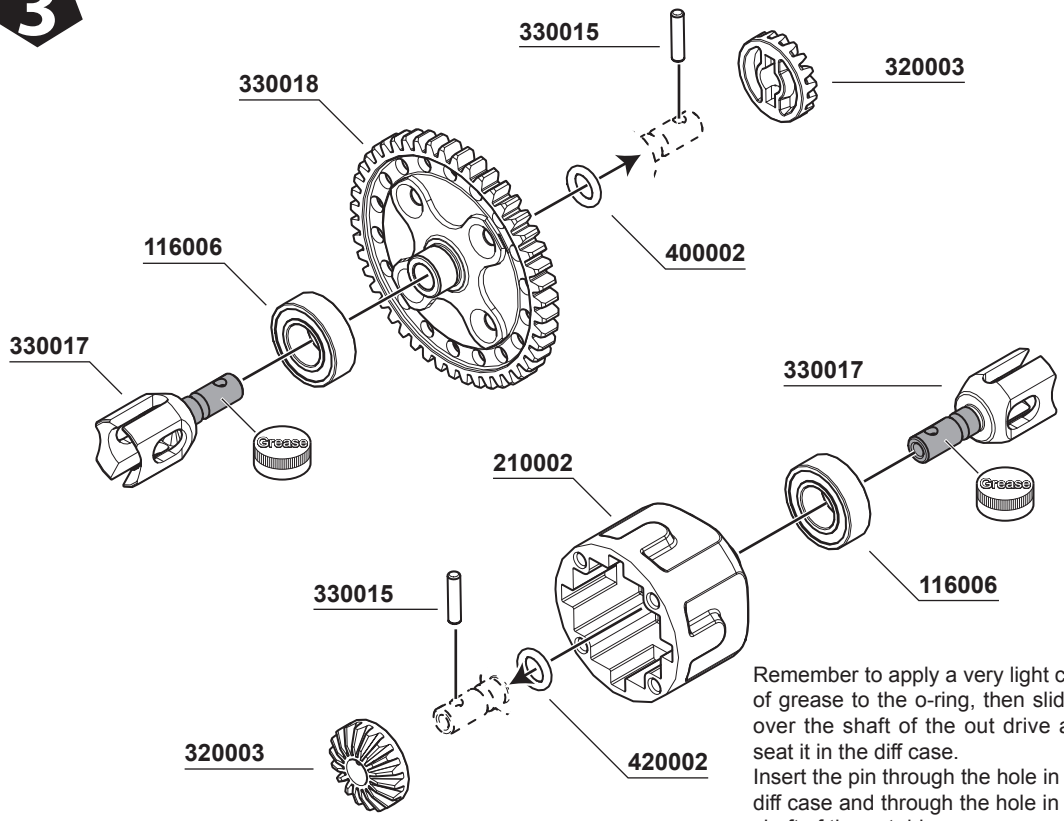
101004
Washer 3.5X10X0.2mm **x8**



Fill the differentials with oil up to 80% above the satellite gears. Put the SWORKz Diff. Oil 20000cps for the front Diff. and 2000cps for the rear Diff.



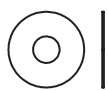
3

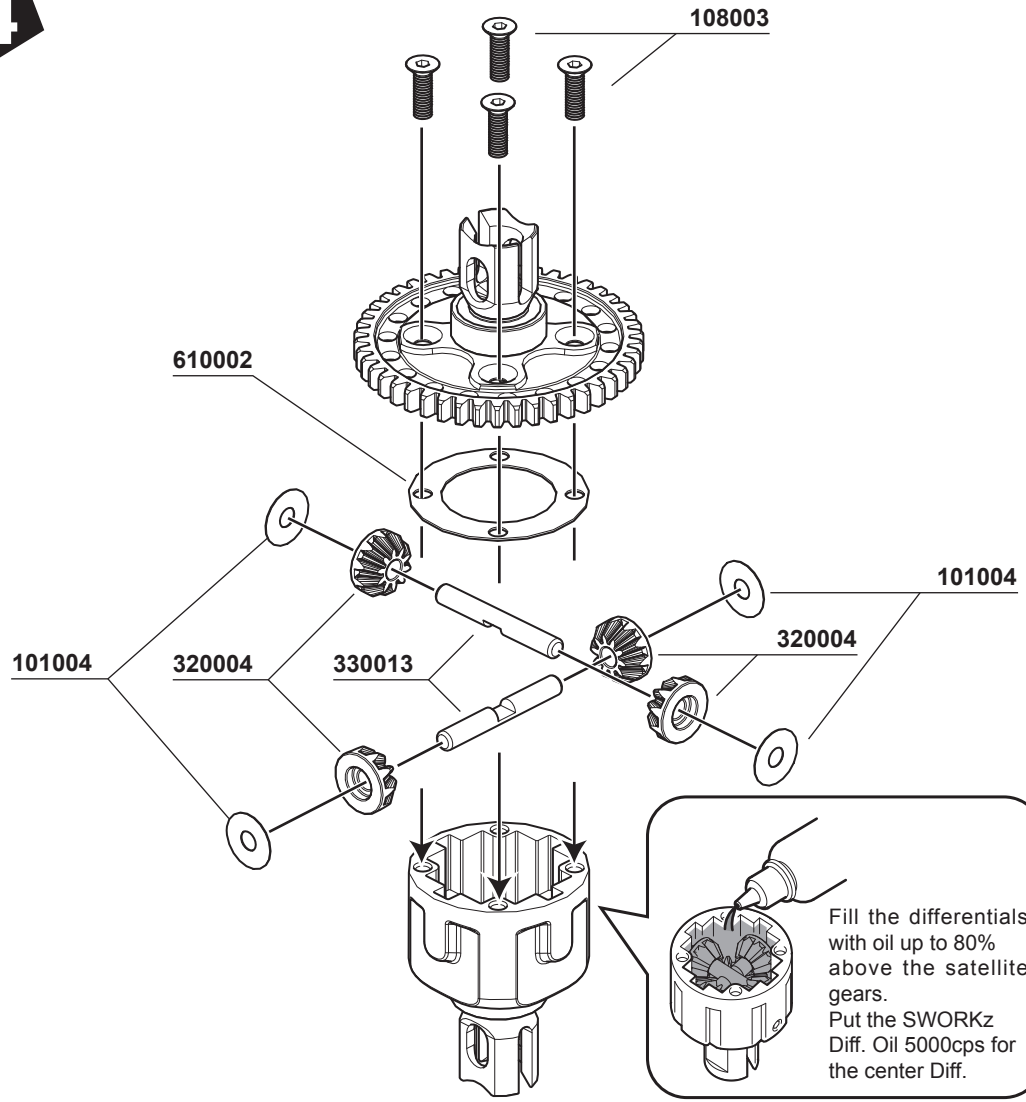
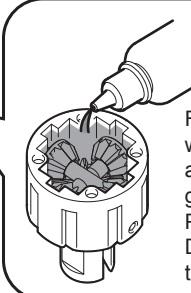
-  **330015**
Pin M2.2x9.9mm x2
-  **400002**
O-ring S5 4.8X1.5 x2
-  **116006**
Ball Bearing 8x16x5mm x2



Remember to apply a very light coat of grease to the o-ring, then slide it over the shaft of the out drive and seat it in the diff case. Insert the pin through the hole in the diff case and through the hole in the shaft of the out drive.

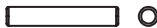
4

-  **108003**
M3x10mm FH/ST HEX Screw x4
-  **330013**
Bevel Gear Shaft x2
-  **101004**
Washer 3.5X10X0.2mm x4





Fill the differentials with oil up to 80% above the satellite gears. Put the SWORKz Diff. Oil 5000cps for the center Diff.

 **104008**
M4x4mm Set Screw x2

 **330111**
Pin M2.5x14.8mm x2


 **106010**
M3x6mm Hex Socket OH/TP Screw x3

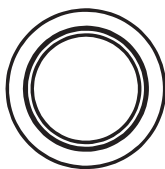
 **104001**
M5x4mm Set Screw x1


 **108001**
M3x12mm FH/ST HEX Screw x4

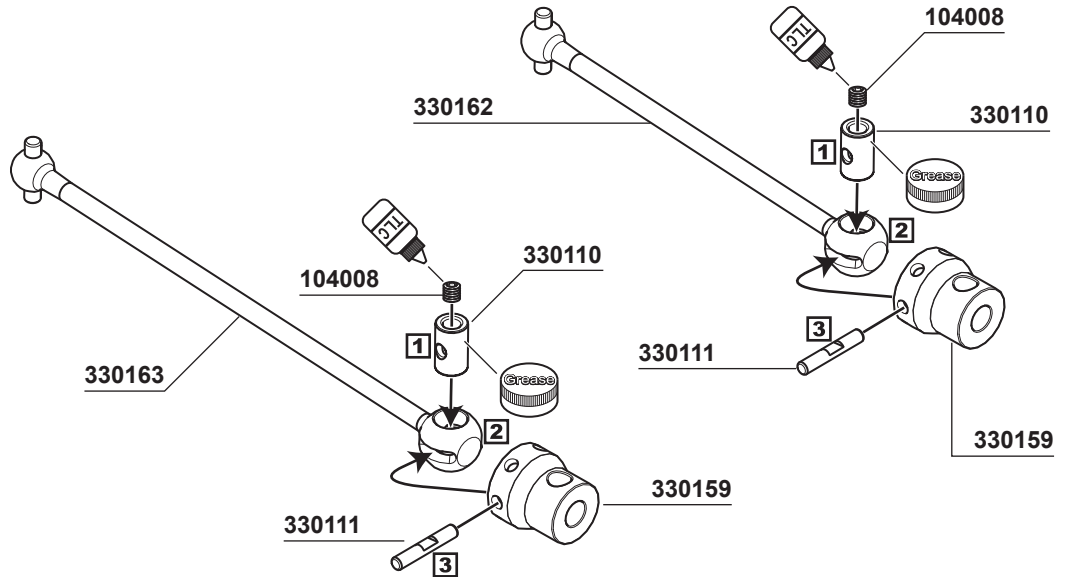
 **108008**
M3x35mm FH/ST HEX Screw x2

 **101020**
3mm Countersunk Washers (RD) x2

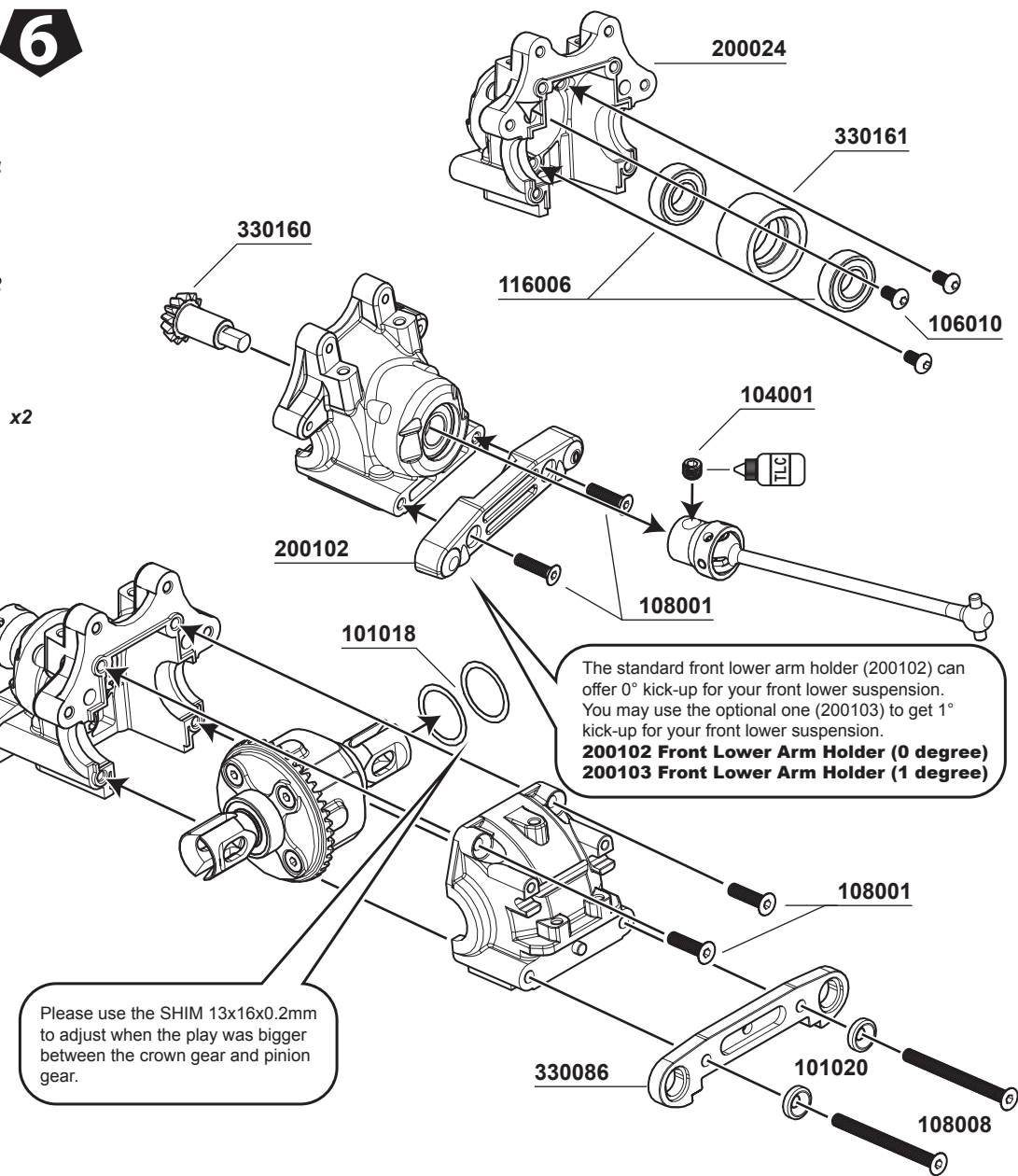
 **101018**
SHIM 13x16x0.2mm x2

 **330161**
S-System Pinion Gear Holder x1

 **116006**
Ball Bearing 8x16x5mm x2



 **108001**



The standard front lower arm holder (200102) can offer 0° kick-up for your front lower suspension. You may use the optional one (200103) to get 1° kick-up for your front lower suspension.
200102 Front Lower Arm Holder (0 degree)
200103 Front Lower Arm Holder (1 degree)

Please use the SHIM 13x16x0.2mm to adjust when the play was bigger between the crown gear and pinion gear.



104001
M5x4mm Set Screw x1



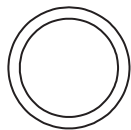
106010
M3x6mm Hex Socket OH/TP Screw x3



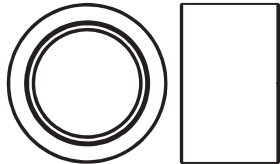
108001
M3x12mm FH/ST HEX Screw x4



108008
M3x35mm FH/ST HEX Screw x2



101018
SHIM 13x16x0.2mm x2



330161
S-System Pinion Gear Holder x1

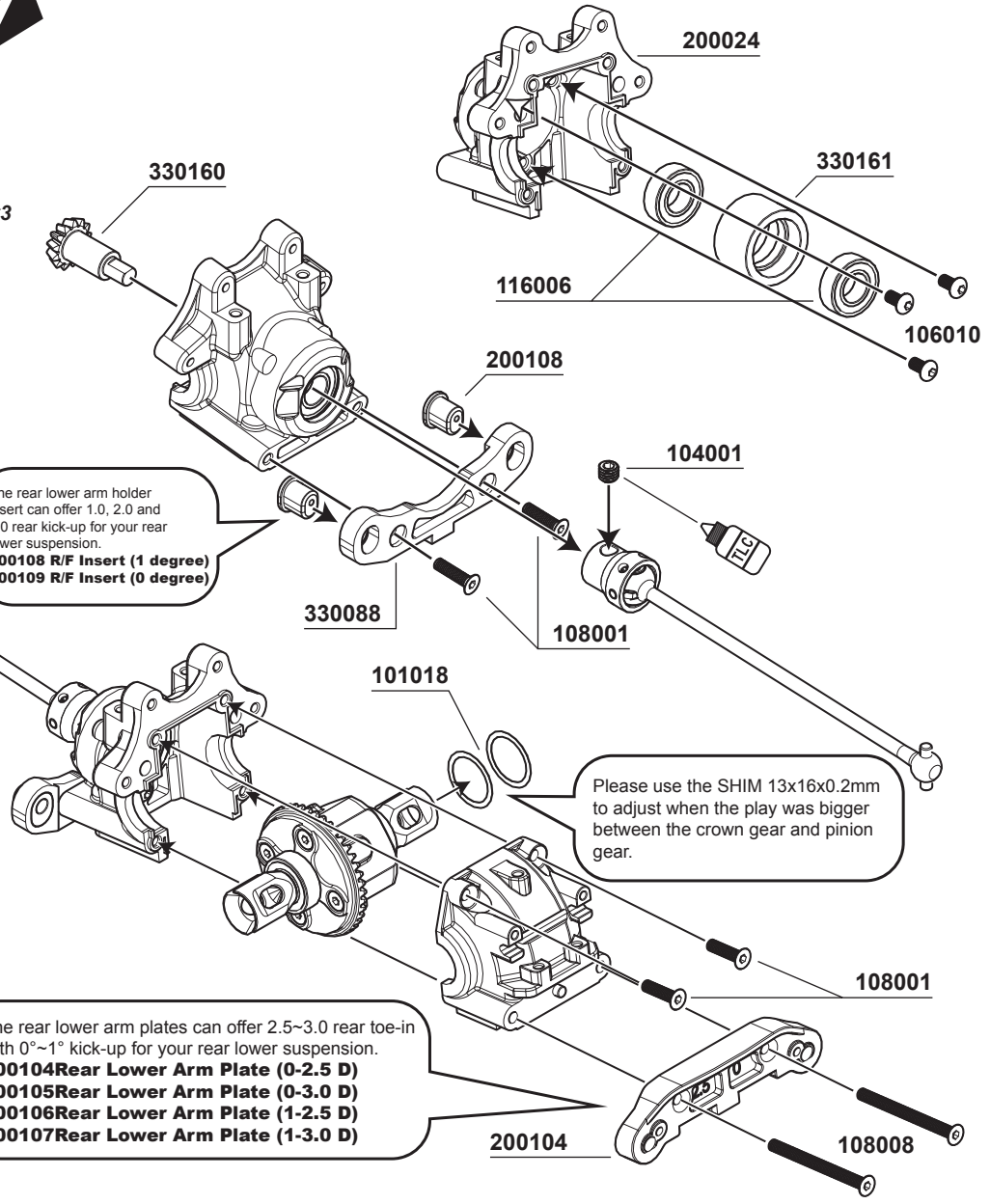


116006
Ball Bearing 8x16x5mm x2

The rear lower arm holder insert can offer 1.0, 2.0 and 3.0 rear kick-up for your rear lower suspension.
200108 R/F Insert (1 degree)
200109 R/F Insert (0 degree)

The rear lower arm plates can offer 2.5~3.0 rear toe-in with 0°~1° kick-up for your rear lower suspension.
200104 Rear Lower Arm Plate (0-2.5 D)
200105 Rear Lower Arm Plate (0-3.0 D)
200106 Rear Lower Arm Plate (1-2.5 D)
200107 Rear Lower Arm Plate (1-3.0 D)

Please use the SHIM 13x16x0.2mm to adjust when the play was bigger between the crown gear and pinion gear.

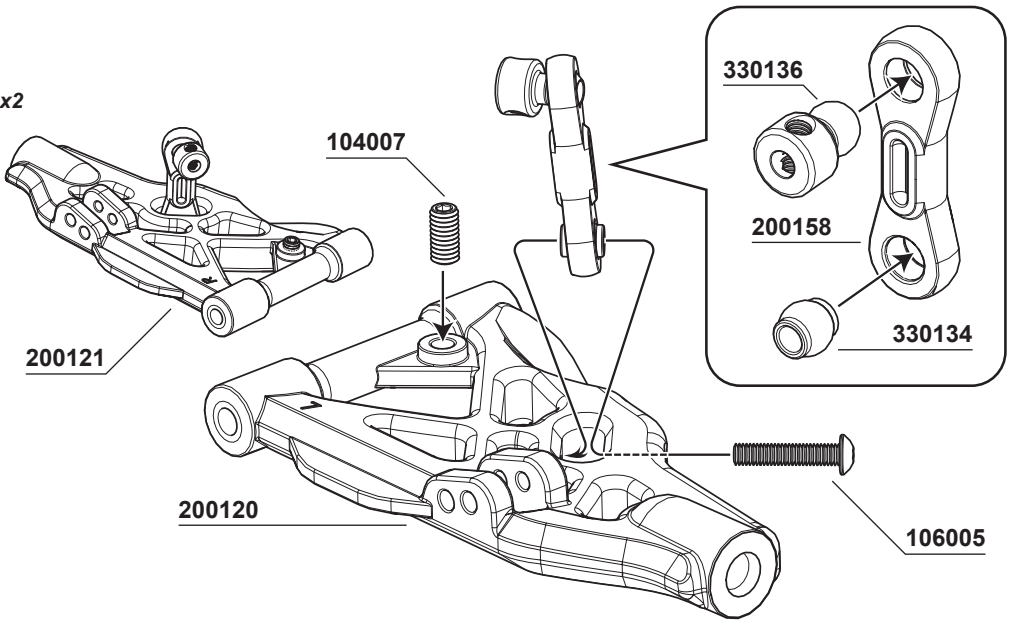


104007
M4x8mm Set Screw x2



106005
M3x15mm Hex Socket OH/TP Screw x2

8 **R** **L** **x2**



330103
Front/Rear Lower Arm HingPin x2

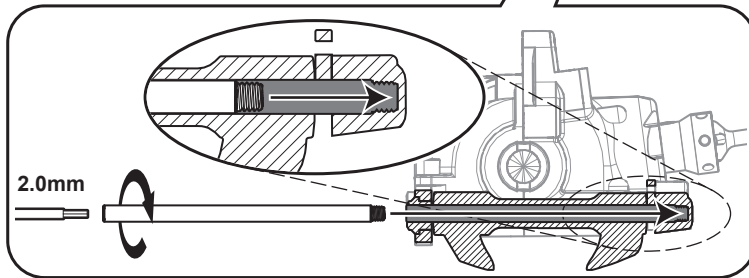
330103

200110

200110

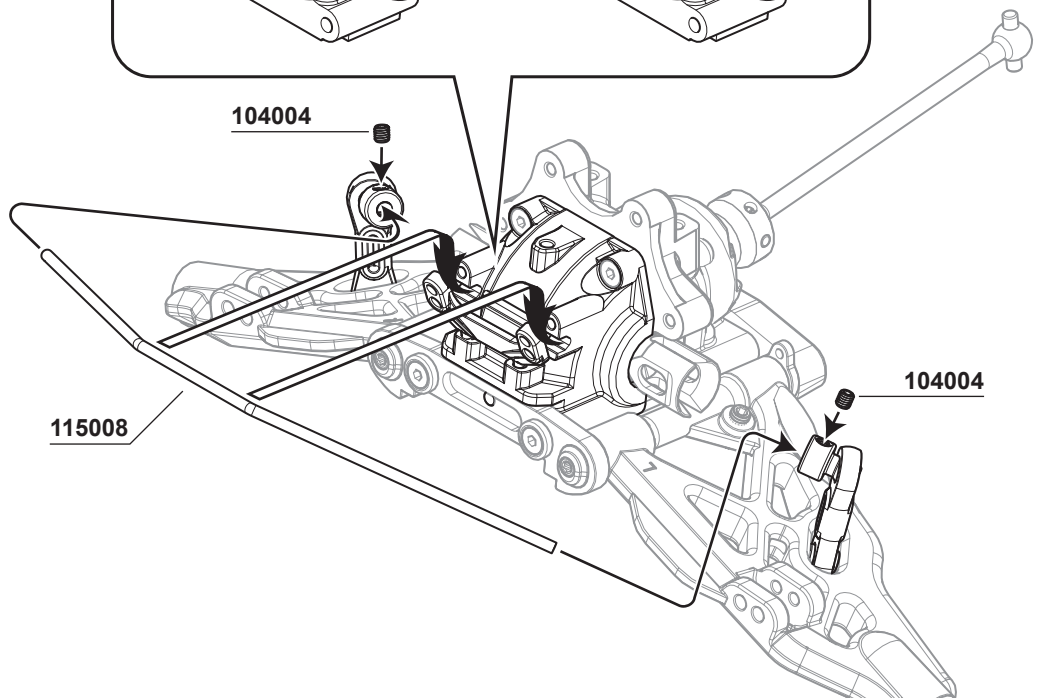
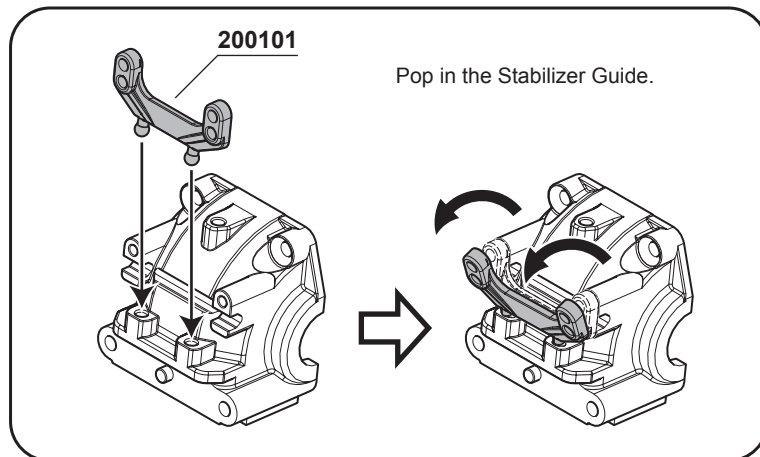
200134

200134



Use a 2mm Hex Wrench and slowly tighten the Hinge Pins.

104004
M3x3mm Set Screw x2

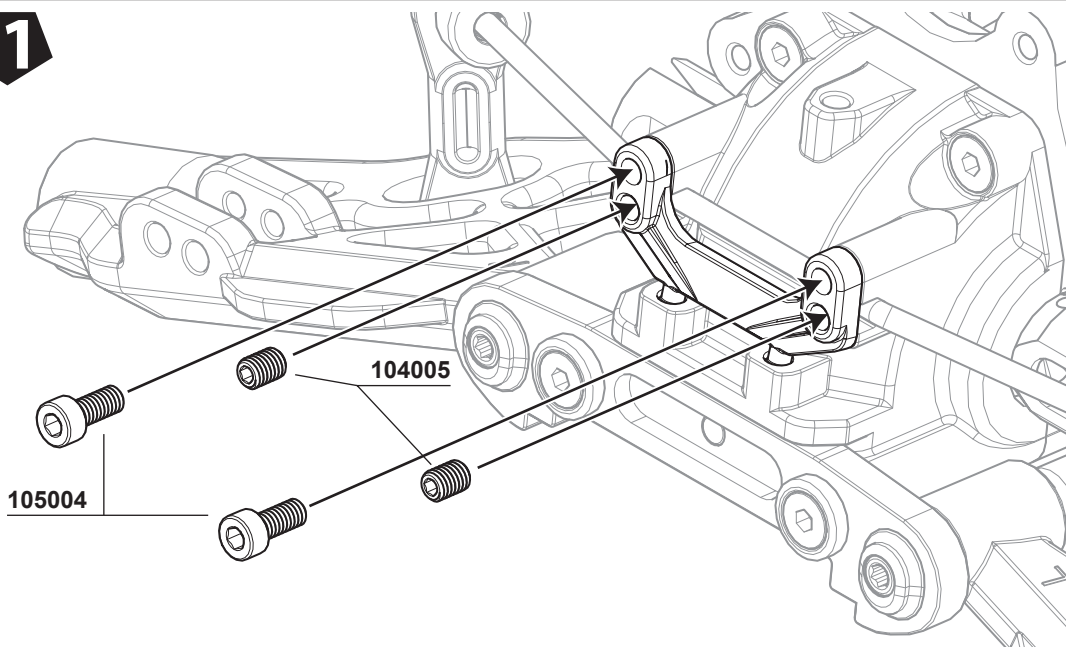




104005
M3x4mm Set Screw x2



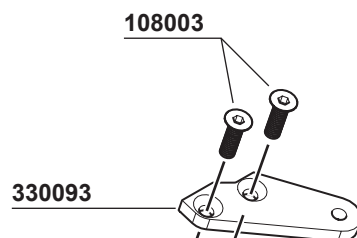
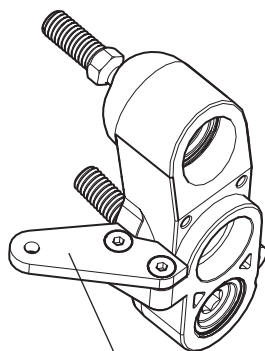
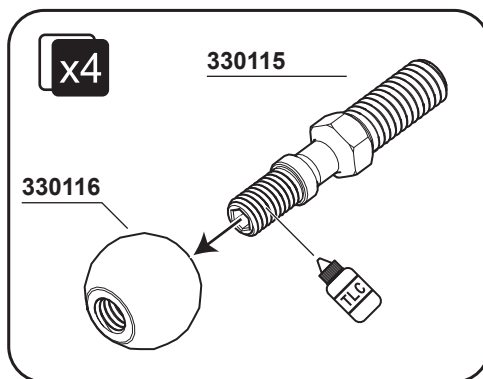
105004
M2.6x6mm Cap Screw x2



108003
M3x10mm FH/ST HEX Screw x4



330115
Steering Knuckle Pivot Ball Turnbuckle x4



200124

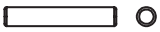
330118

200124

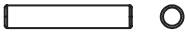
Screw and adjust 330118 Knuckle Pivot Ball Nut so as the pivot ball can be moved smoothly.



104001
M5x4mm Set Screw x2



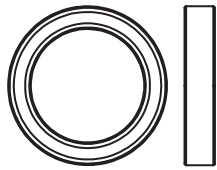
330111
Pin M2.5x14.8mm x2



330124
Pin M3.0x16.8mm x2



116006
Ball Bearing 8x16x5mm x2

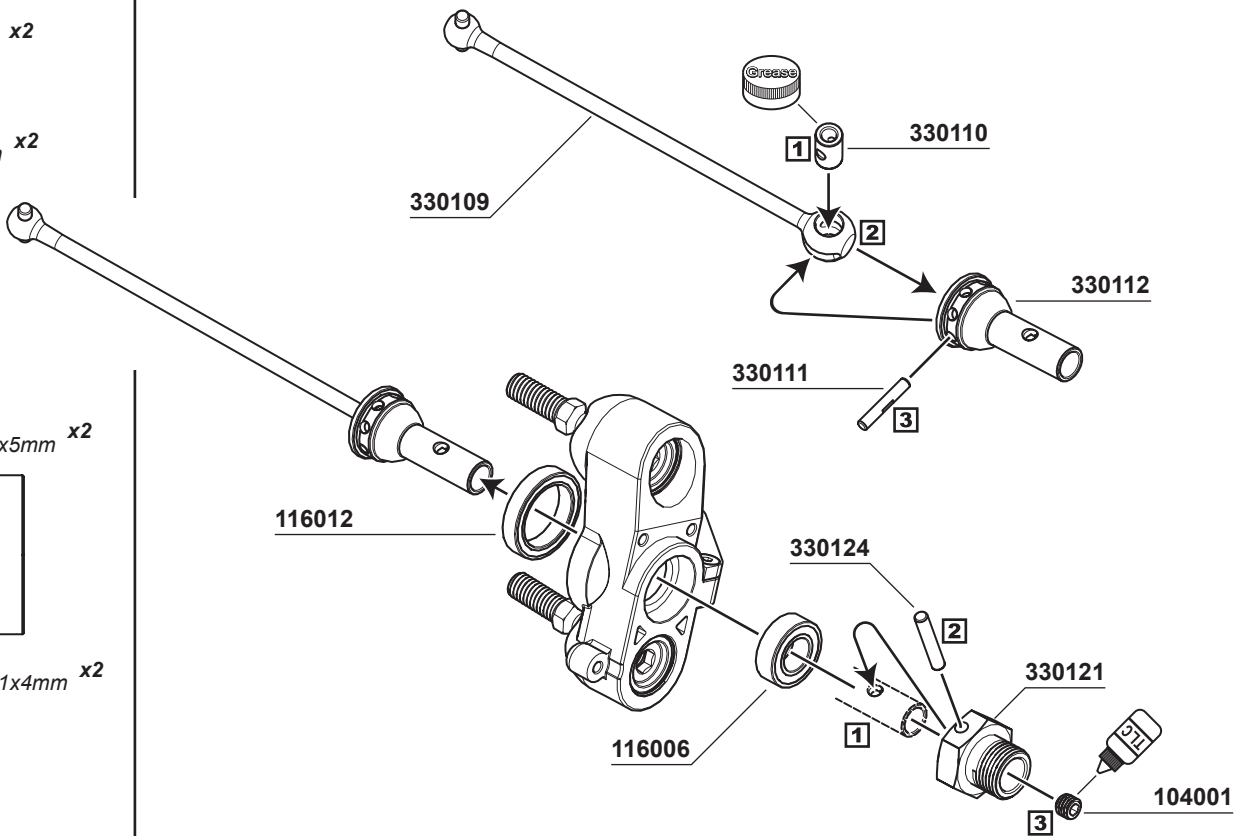


116012
Ball Bearing 15x21x4mm x2

13



x2



103001
M3 Nut Lock x2



108003
M3x10mm FH/ST HEX Screw x2

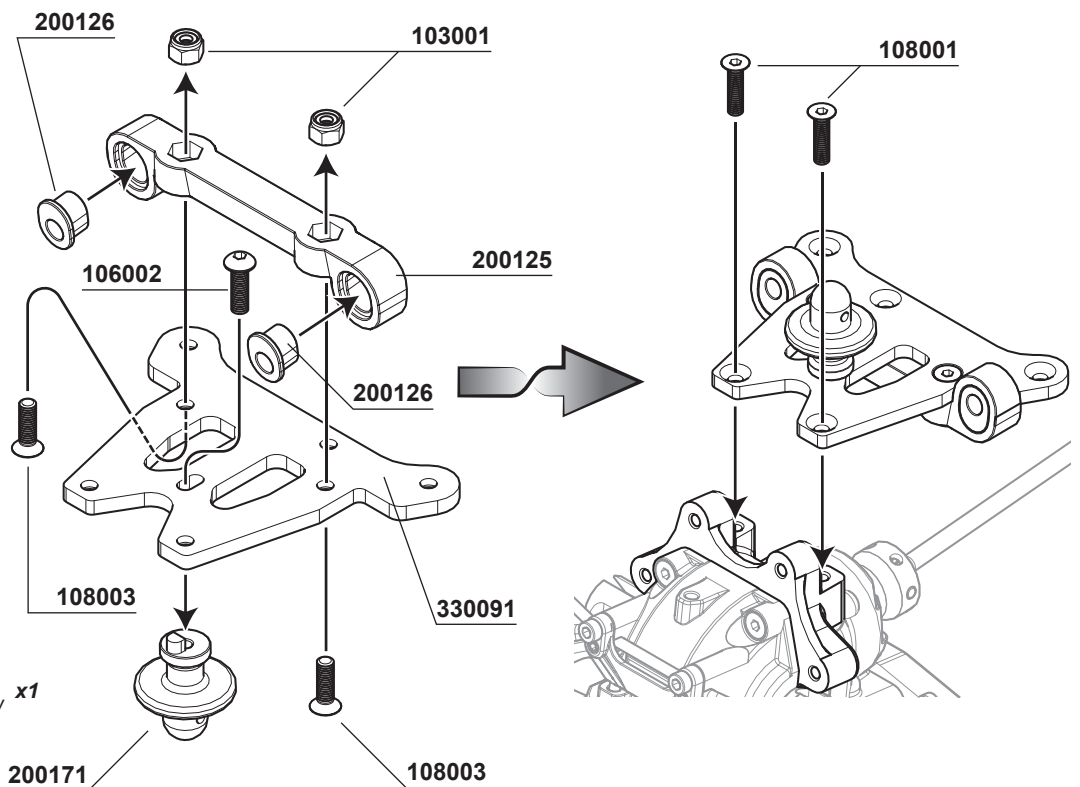


108001
M3x12mm FH/ST HEX Screw x2



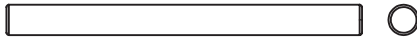
106002
M3x10mm Hex Socket OH/TP Screw x1

14

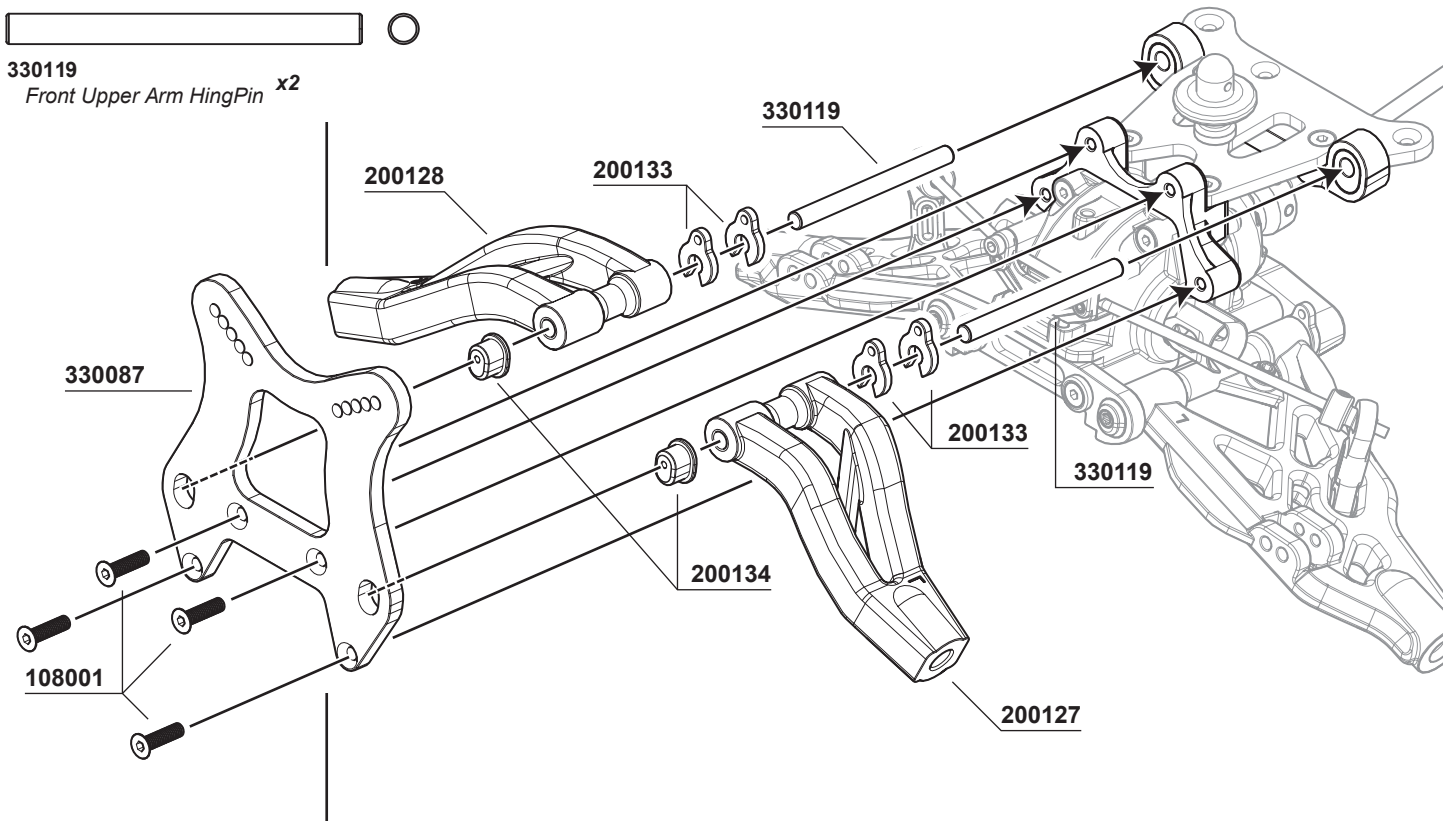




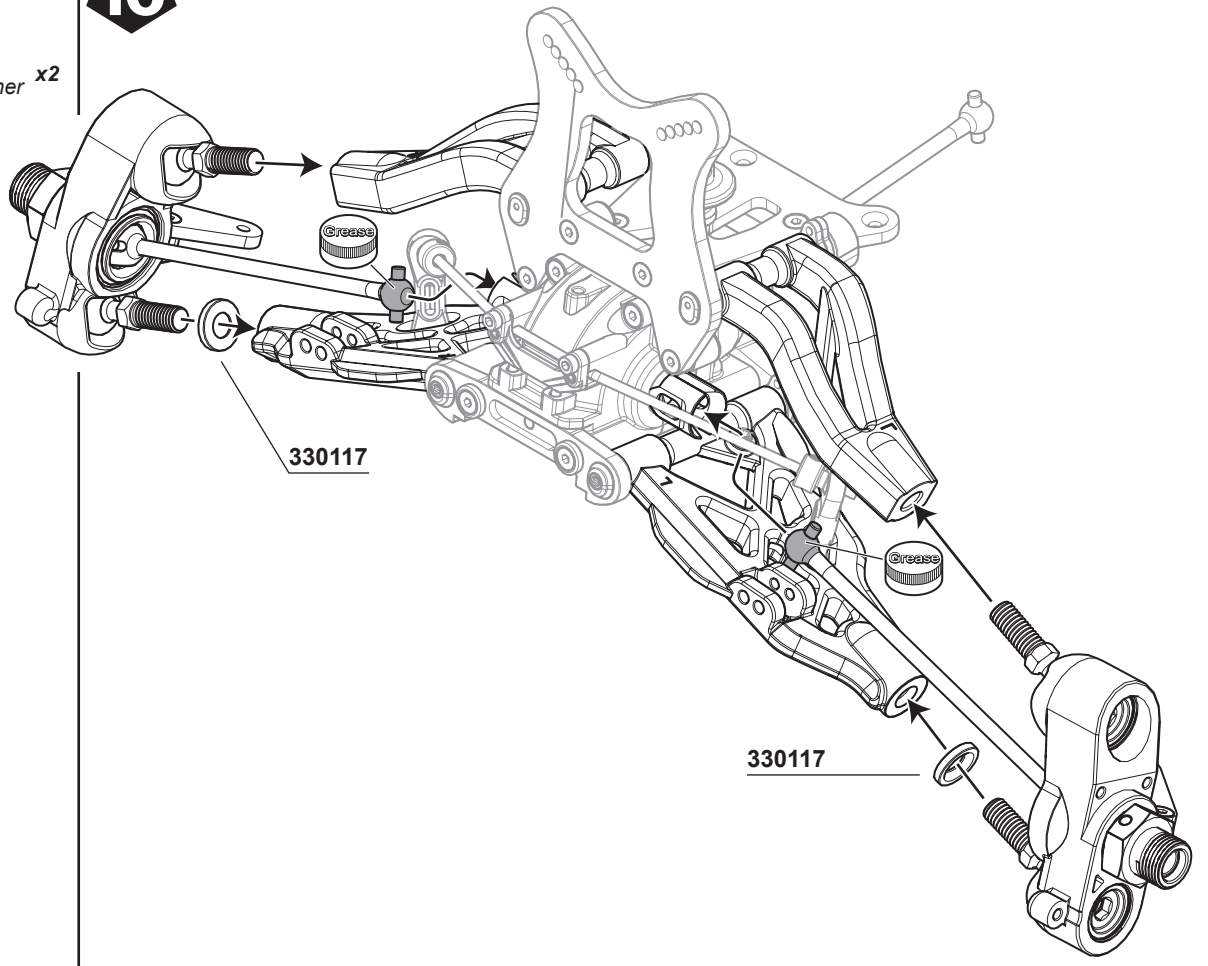
108001
M3x12mm FH/ST HEX Screw x4



330119
Front Upper Arm HingPin x2



330117
Knuckle Pivot Ball Washer x2

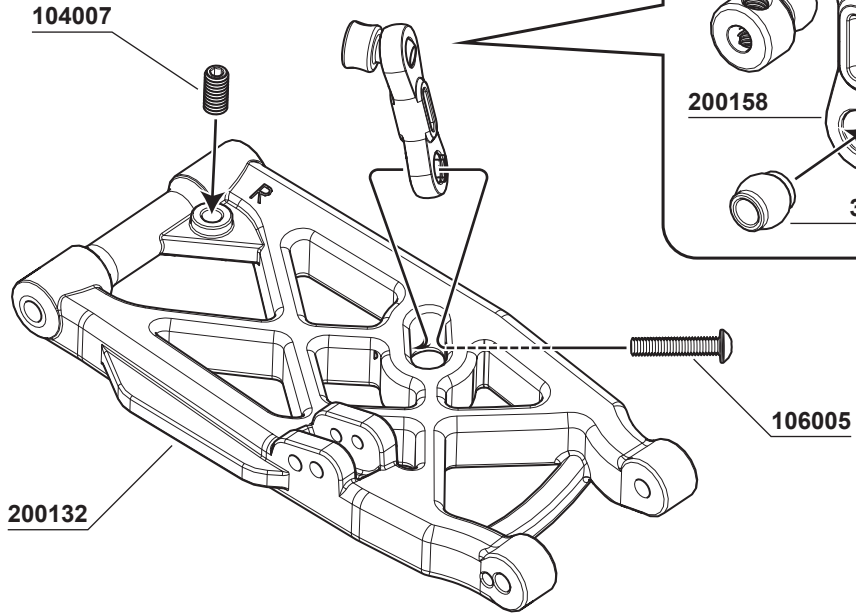




104007
M4x8mm Set Screw x2



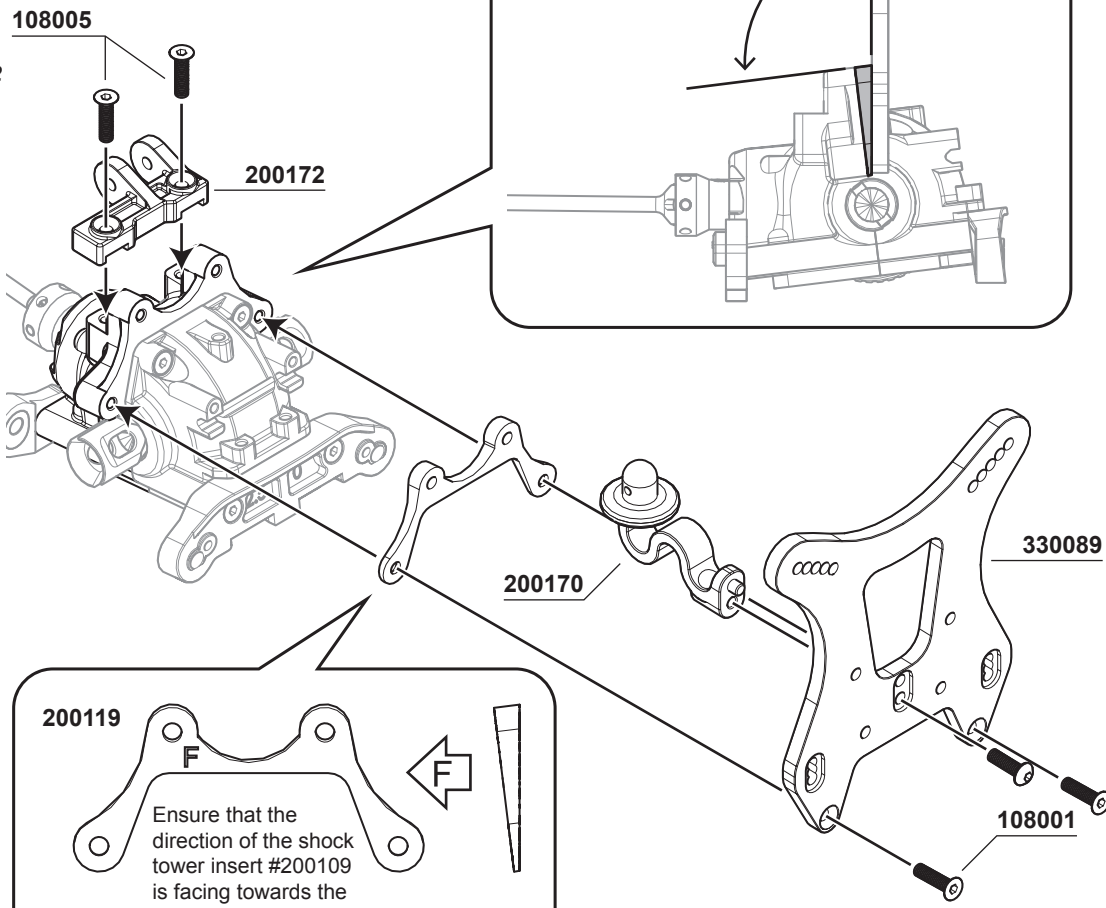
106005
M3x15mm Hex Socket OH/TP Screw x2



108001
M3x12mm FH/ST HEX Screw x3



108005
M3x14mm F H/ST HEX Screw x2



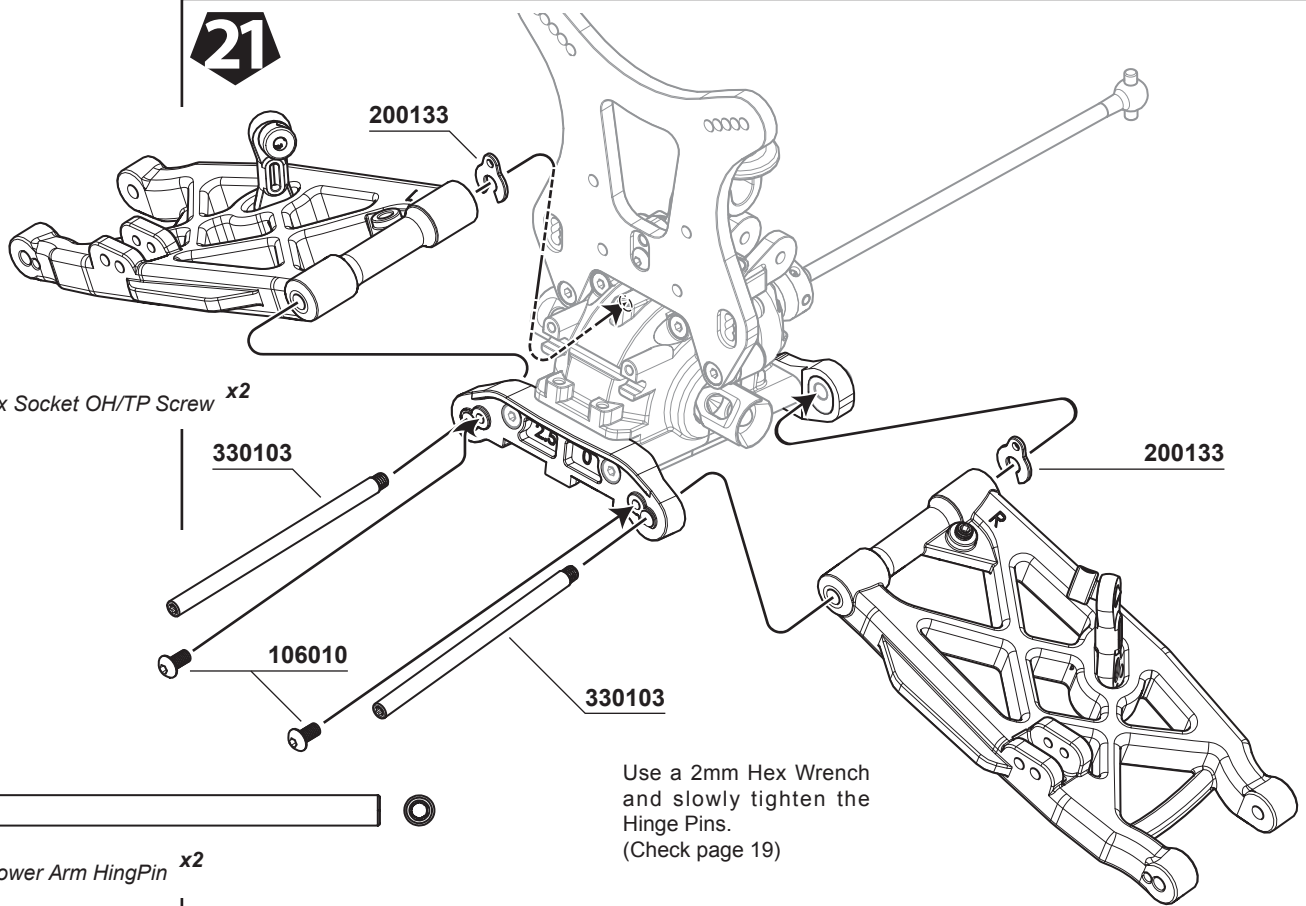
200119

F



Ensure that the direction of the shock tower insert #200109 is facing towards the user during installation.

21



106010
M3x6mm Hex Socket OH/TP Screw x2

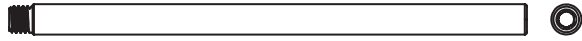
330103

200133

106010

330103

Use a 2mm Hex Wrench
and slowly tighten the
Hinge Pins.
(Check page 19)

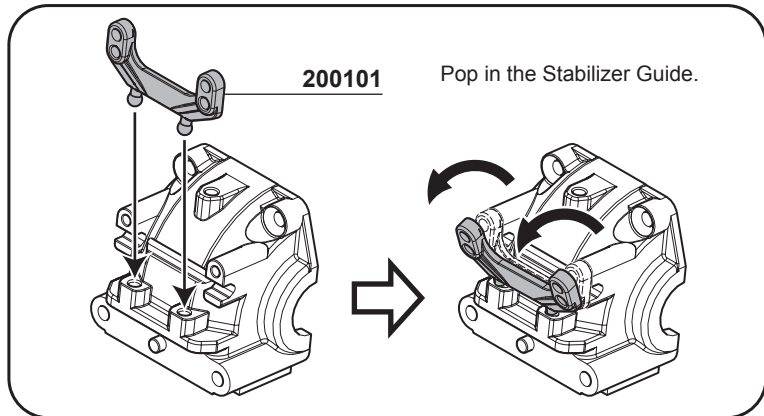


330103
Front/Rear Lower Arm HingPin x2

22



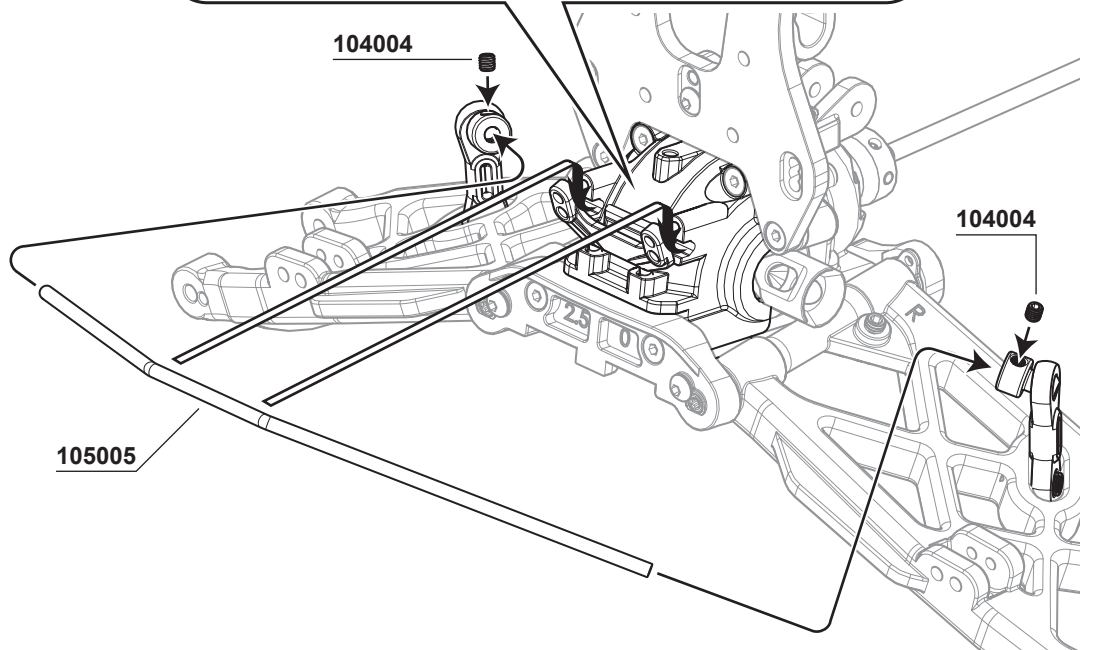
104004
M3x3mm Set Screw x2



200101

Pop in the Stabilizer Guide.

104004



104004

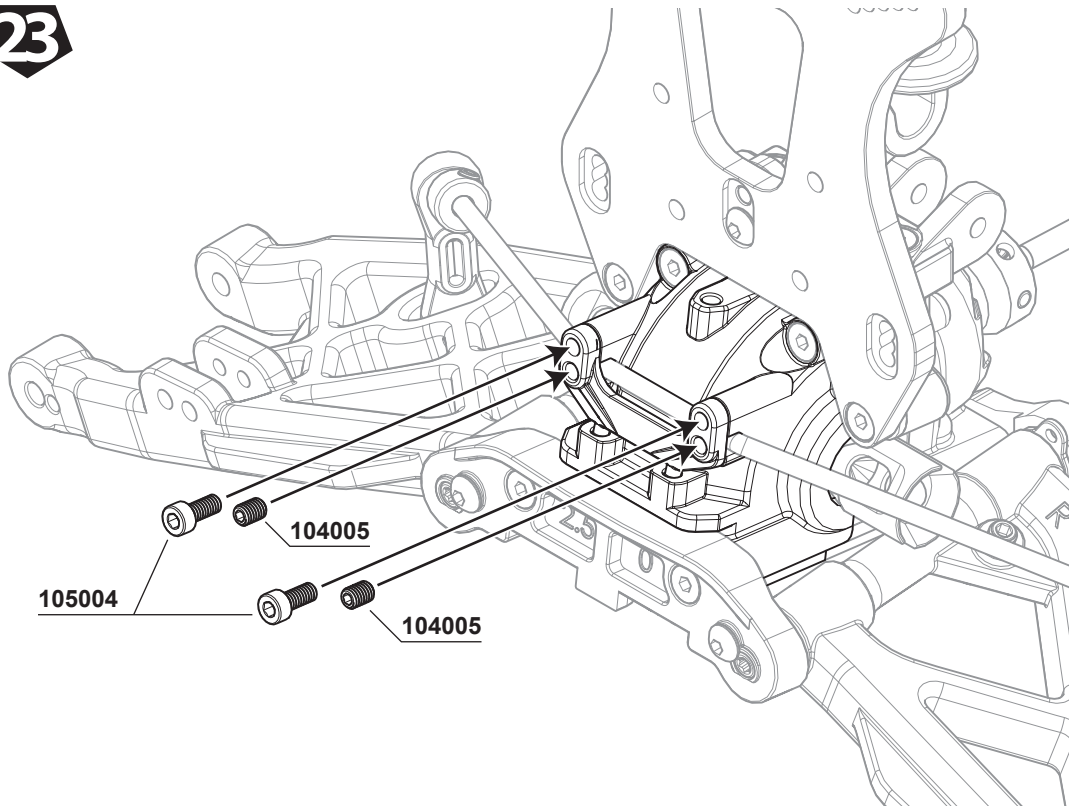
105005



104005
M3x4mm Set Screw x2



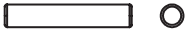
105004
M2.6x6mm Cap Screw x2



104001
M5x4mm Set Screw x2



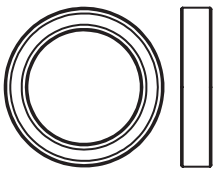
330111
Pin M2.5x14.8mm x2



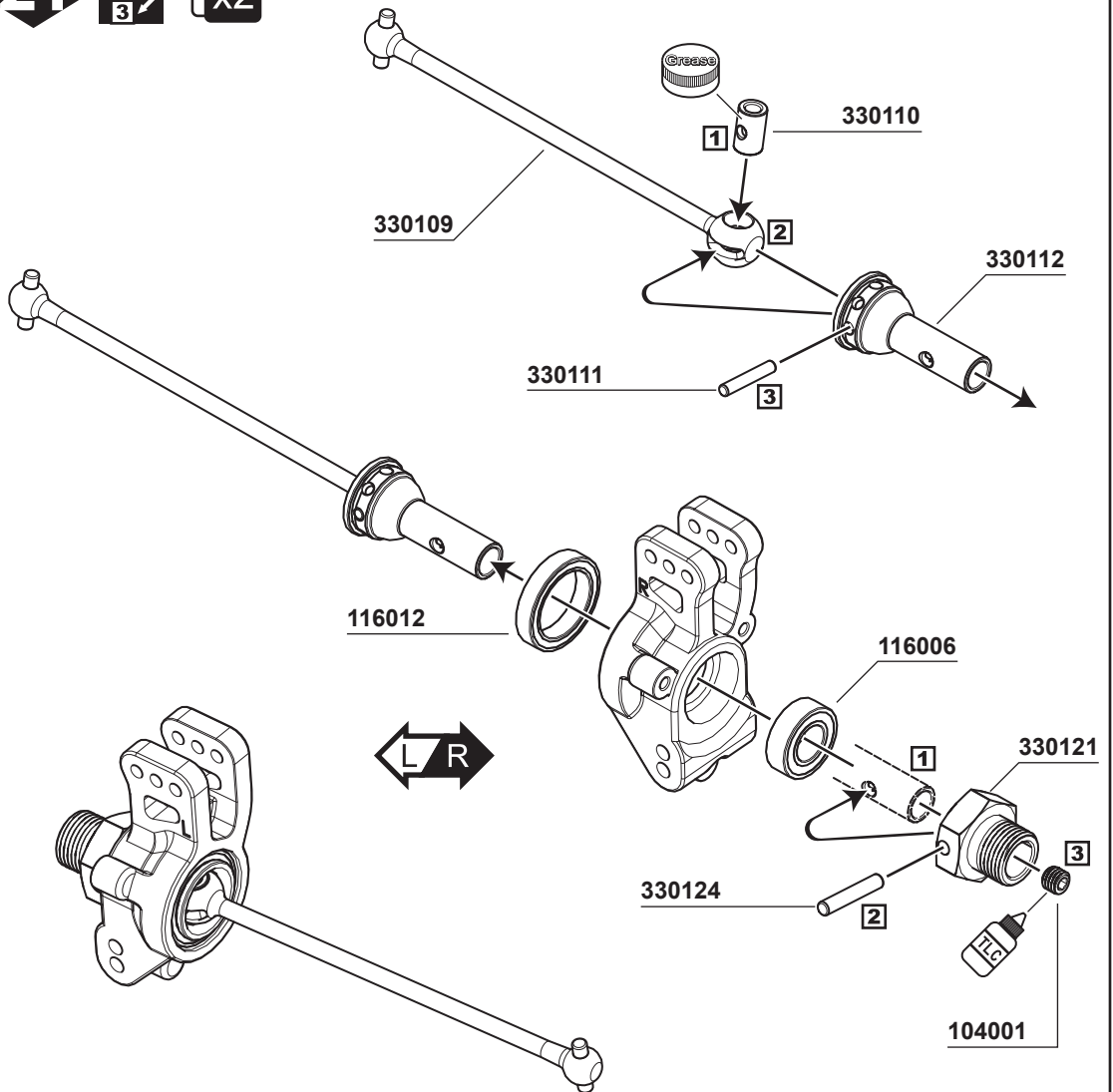
330124
Pin M3.0x16.8mm x2



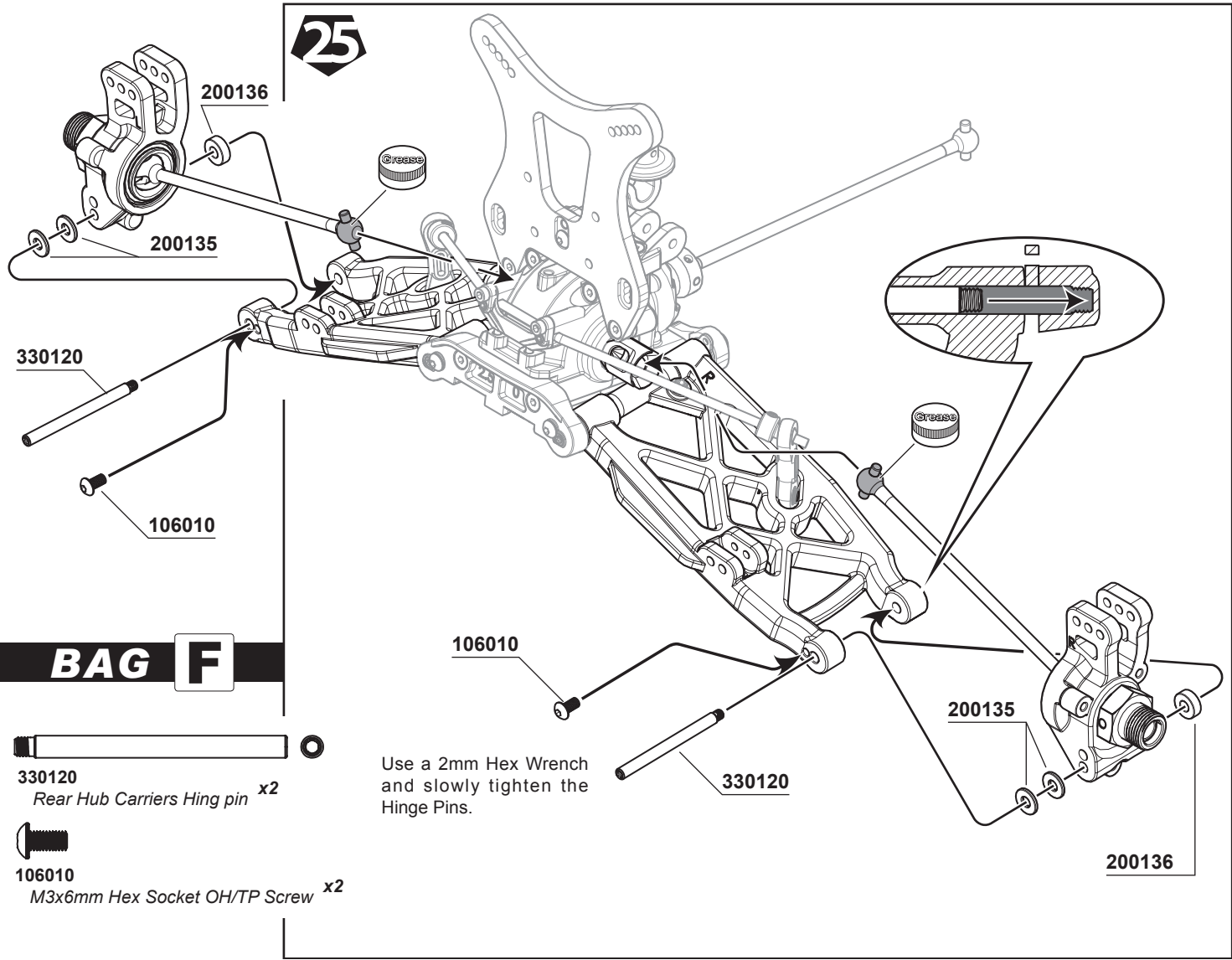
116006
Ball Bearing 8x16x5mm x2



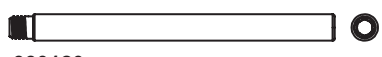
116012
Ball Bearing 15x21x4mm x2



25



BAG F



330120 Rear Hub Carriers Hing pin x2



106010 M3x6mm Hex Socket OH/TP Screw x2

Use a 2mm Hex Wrench and slowly tighten the Hinge Pins.

200136



200135 Rear Wheel Axle Insert (1mm) x4

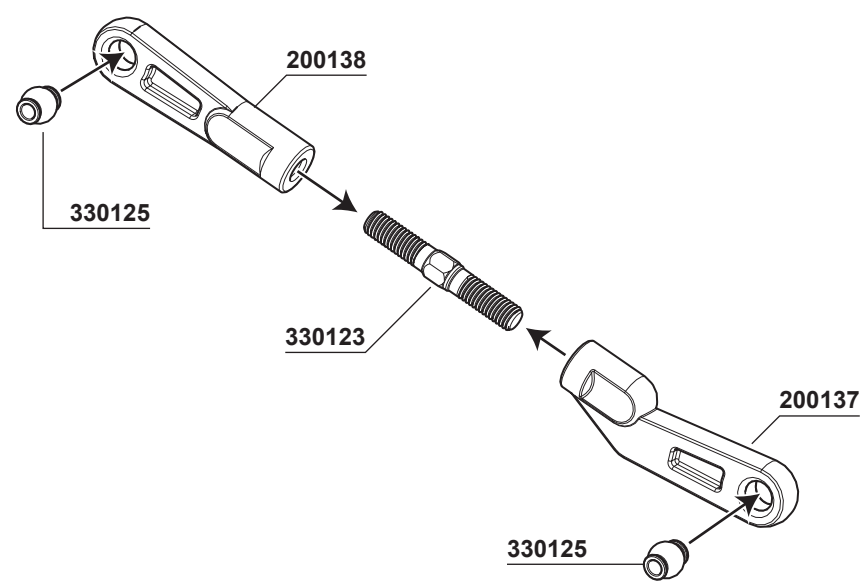


200136 Rear Wheel Axle Insert (2mm) x2



330123 Rear Upper Sus. Arm Turnbuckles x2

26



1:1

7.3mm



103001
M3 Nut Lock x2



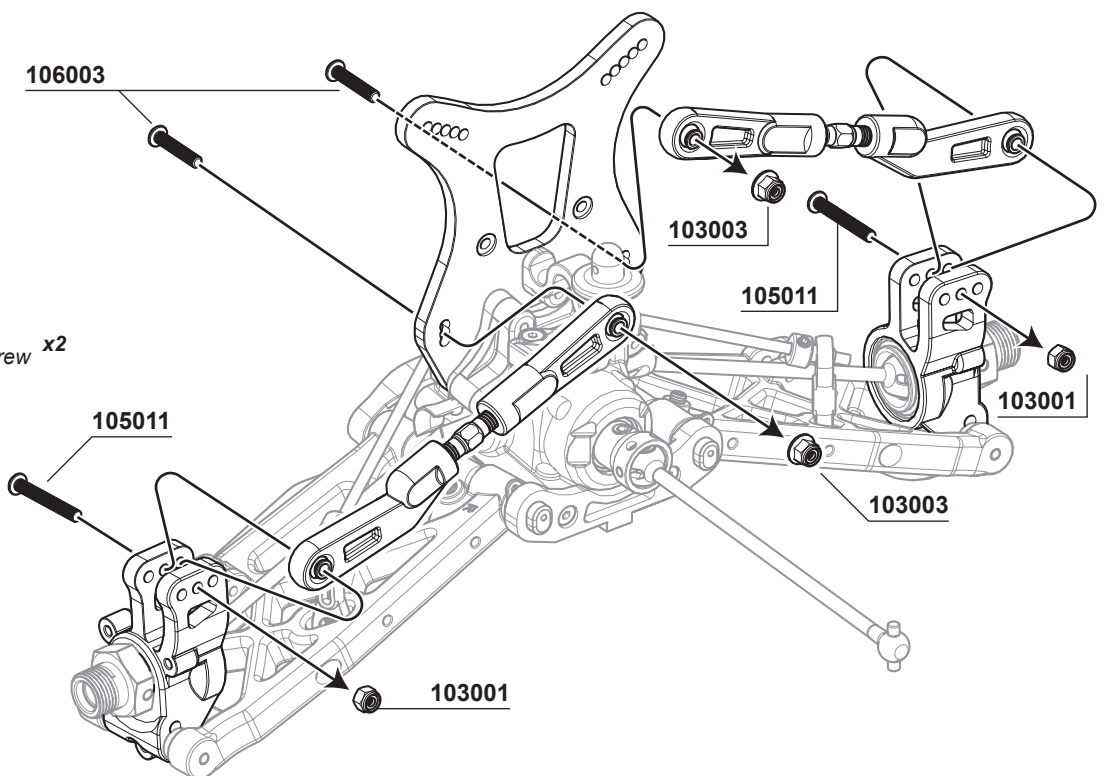
103003
Flange M3 Nut Lock x2



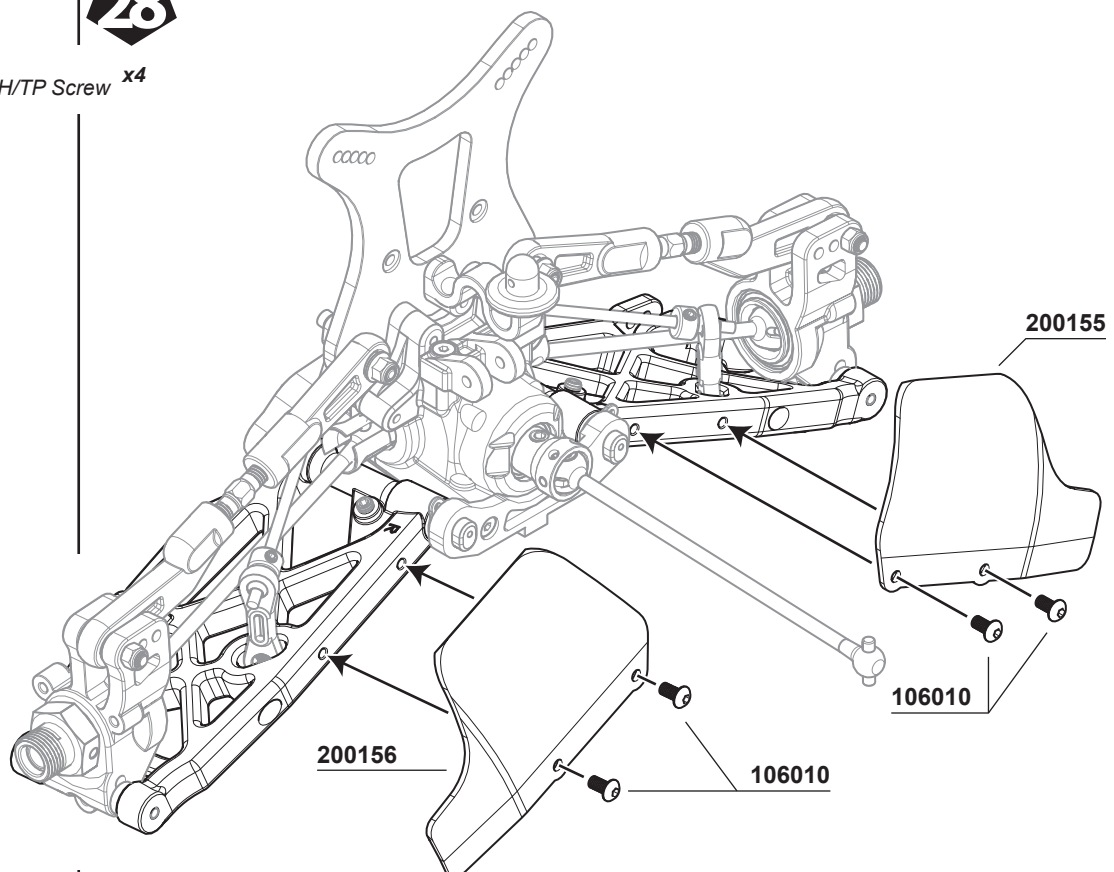
106003
M3x16mm Hex Socket OH/TP Screw x2



105011
M3x23mm Cap Screw x2

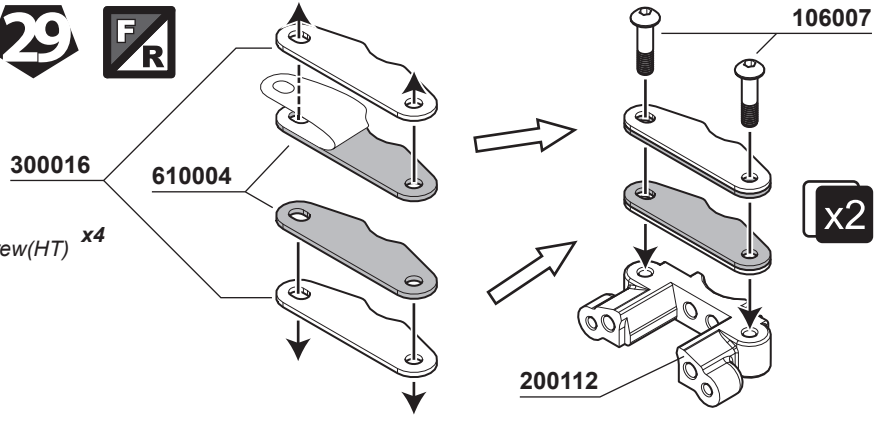


106010
M3x6mm Hex Socket OH/TP Screw x4

28



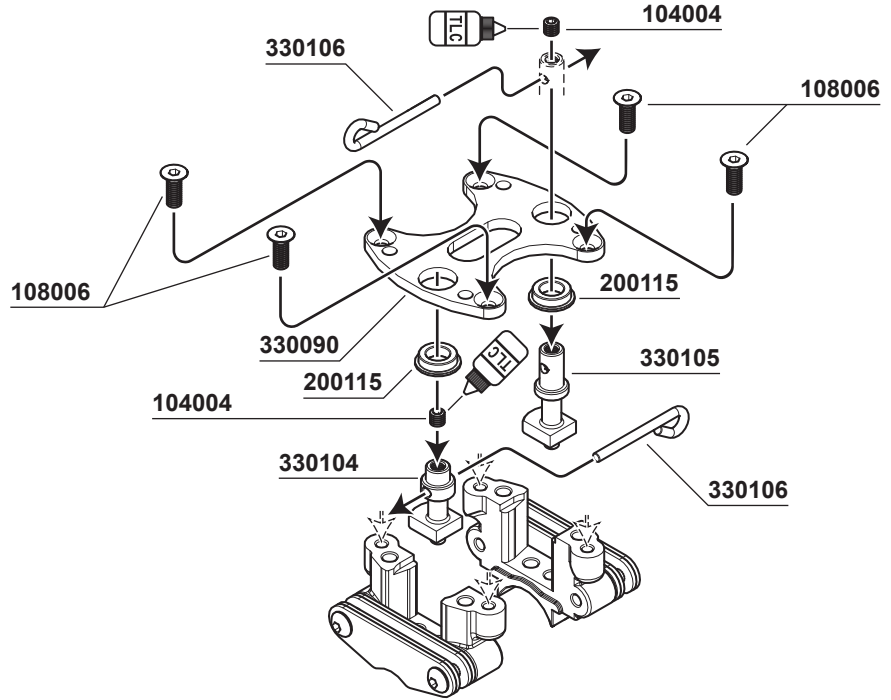
106007
M3x12mm Hex Socket OH/TP Screw(HT) x4



104004
M3x3mm Set Screw x2



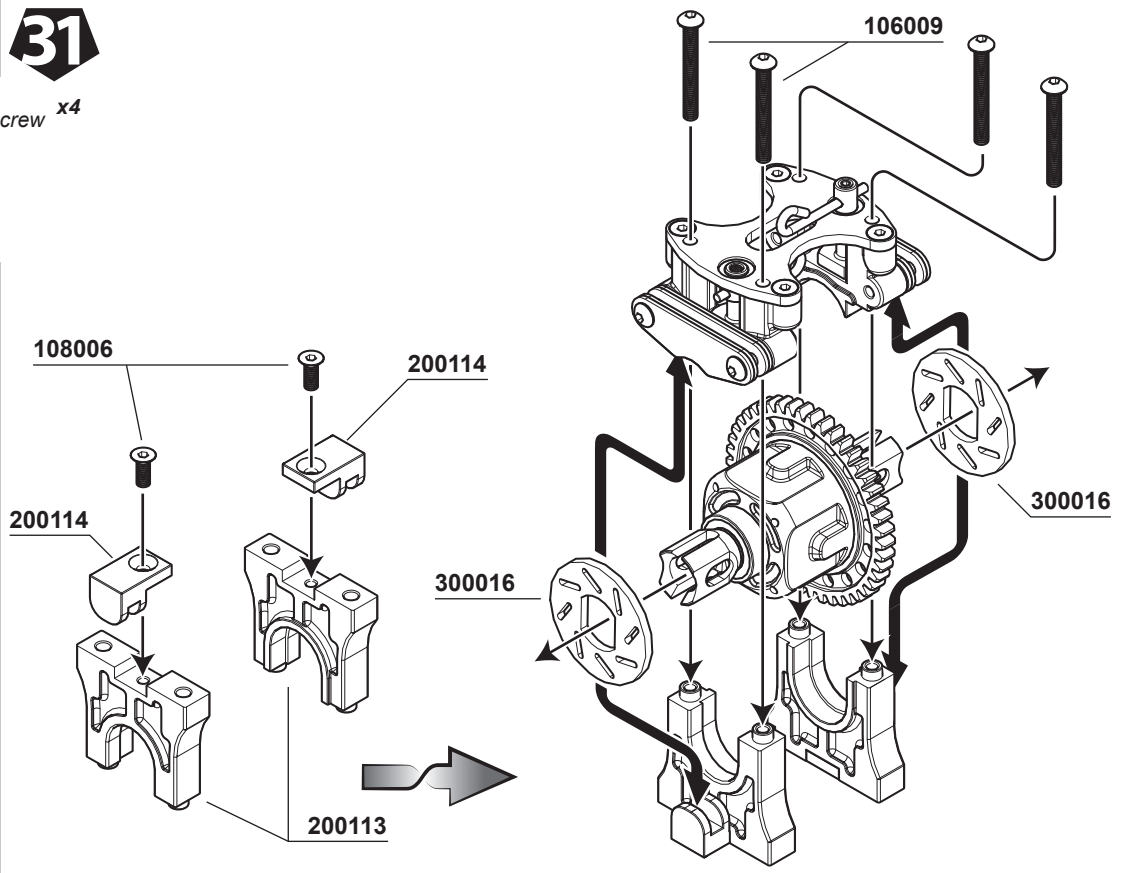
108006
M3x8mm FH/ST HEX Screw x4



106009
M3x25mm Hex Socket OH/TP Screw x4



108006
M3x8mm FH/ST HEX Screw x2

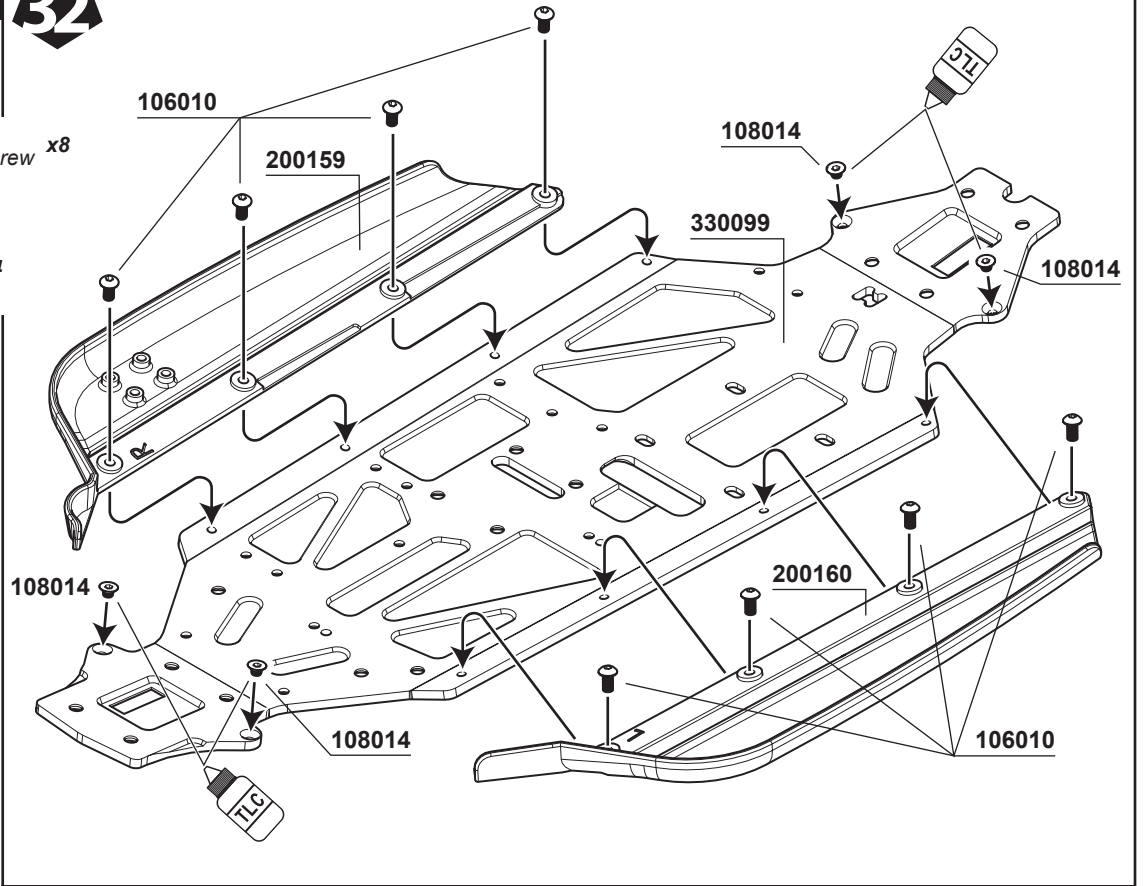




106010
M3x6mm Hex Socket OH/TP Screw x8



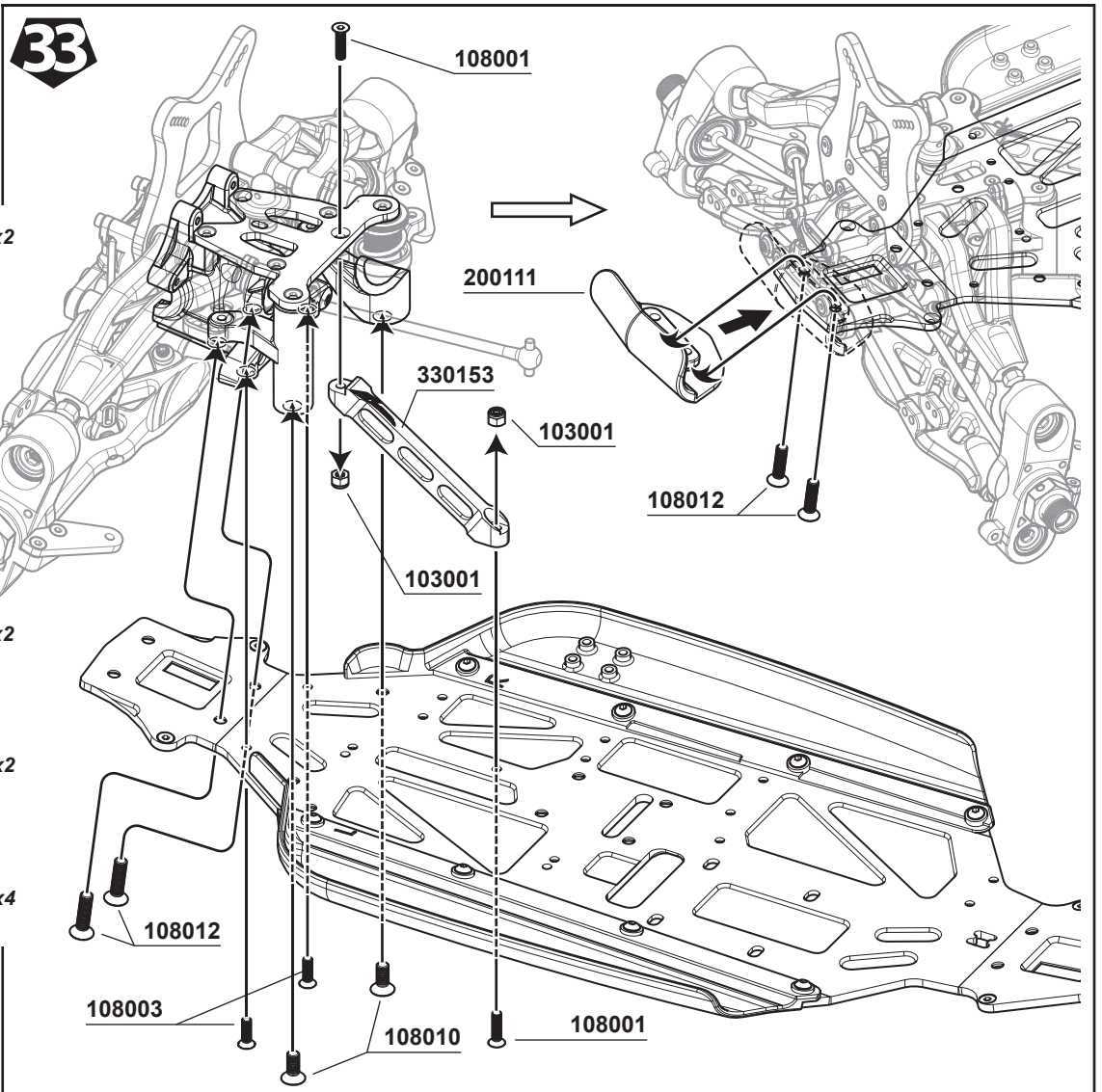
108014
M3x3mm FH/ST HEX Screw x4



103001
M3 Nut Lock x2



108003
M3x10mm FH/ST HEX Screw x2



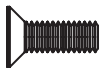
108001
M3x12mm FH/ST HEX Screw x2



108010
M4x10mm FH/ST HEX Screw x2

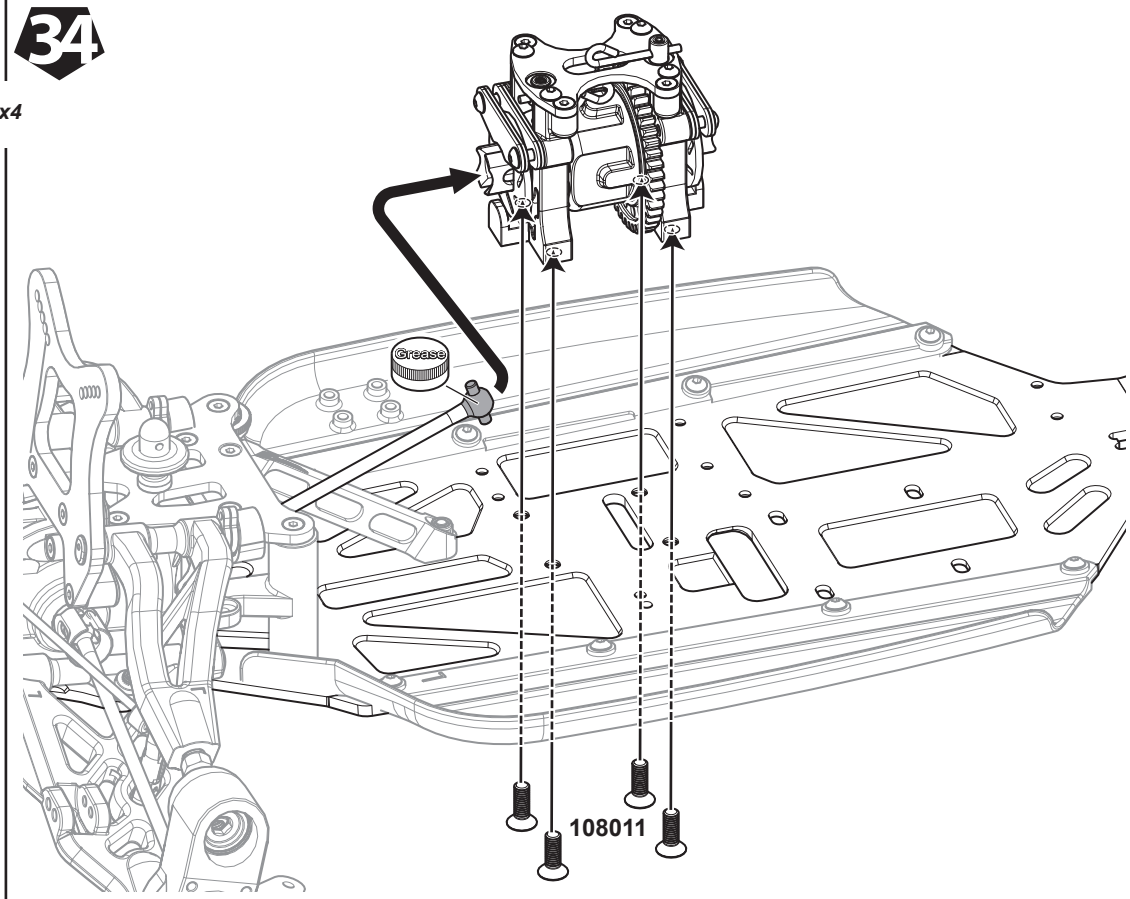


108012
M4x16mm FH/ST HEX Screw x4



108011
M4x12mm FH/ST HEX Screw x4

34



103001
M3 Nut Lock x2



108001
M3x12mm FH/ST HEX Screw x1

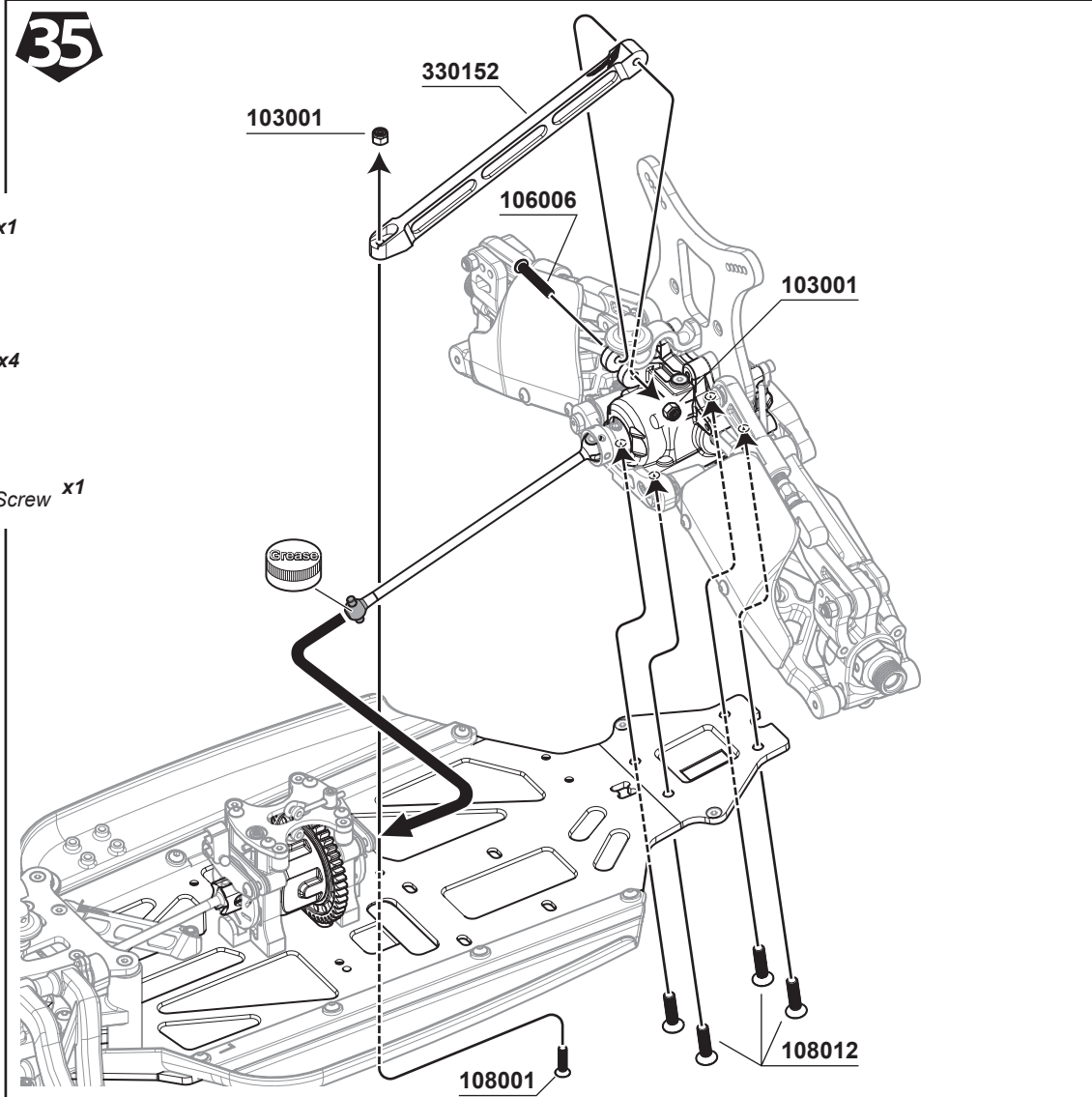


108012
M4x16mm FH/ST HEX Screw x4



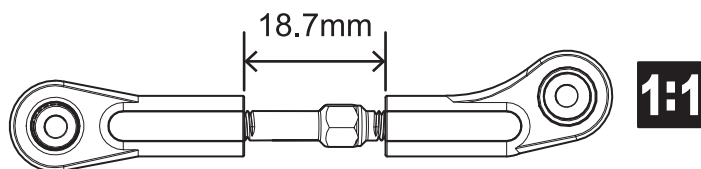
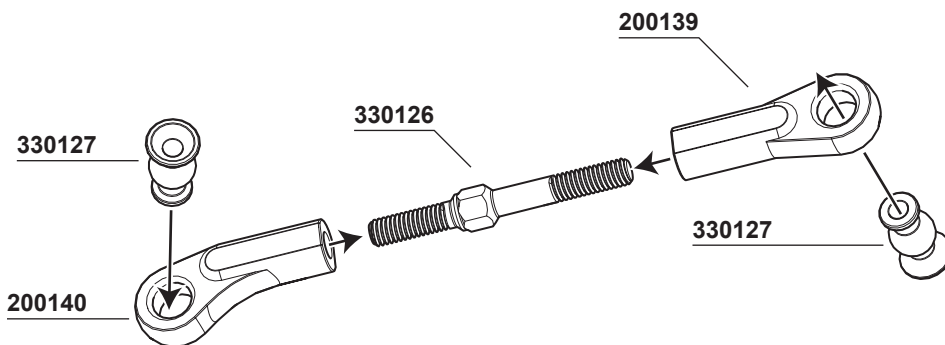
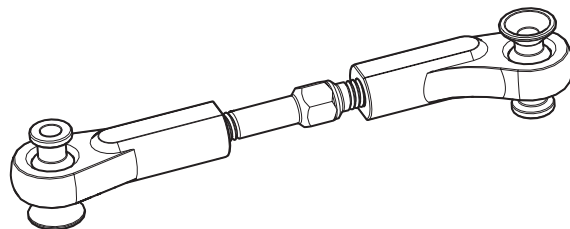
106006
M3x20mm Hex Socket OH/TP Screw x1

35





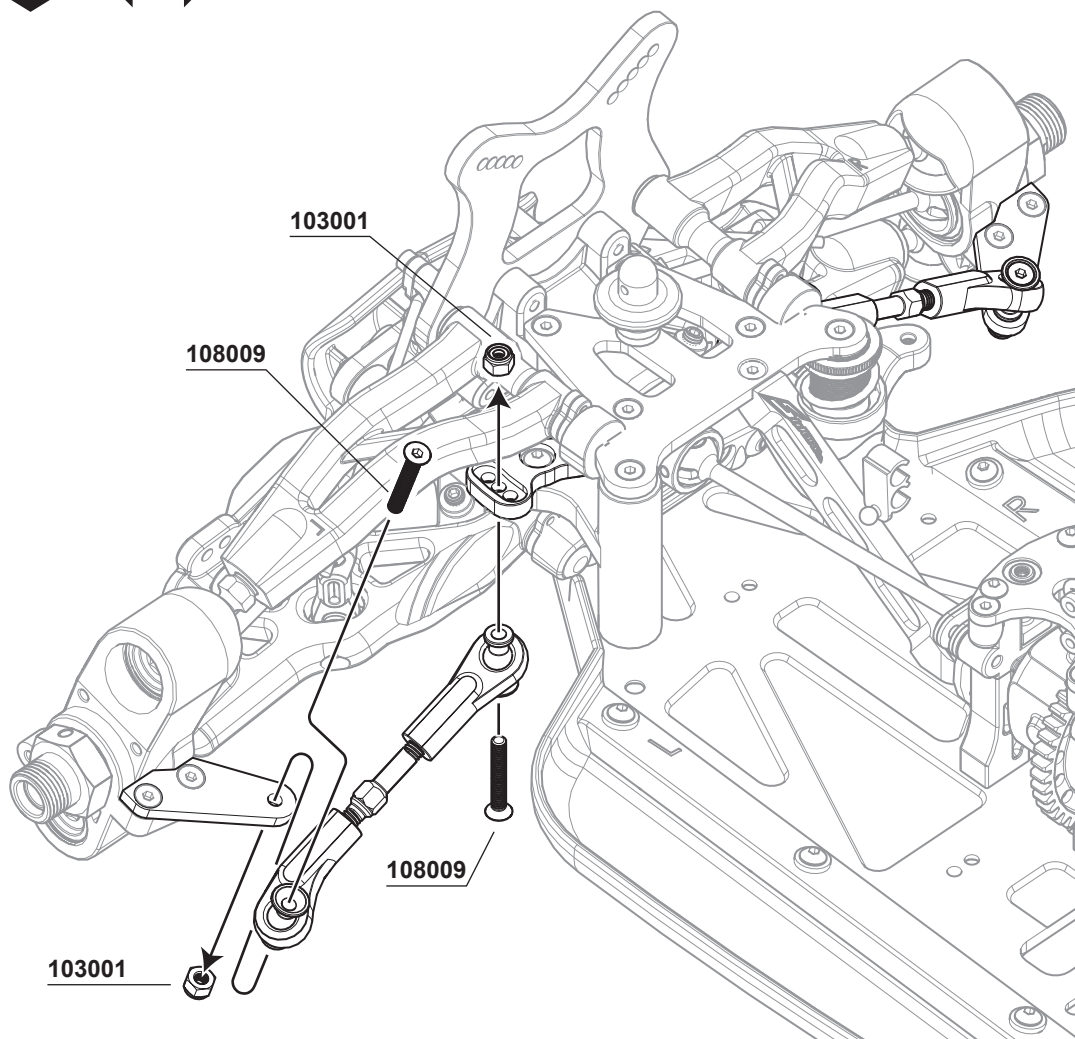
330126
Steering Turnbuckle **x2**



103001
M3 Nut Lock **x4**



108009
M3x20mm FH/ST HEX Screw **x4**





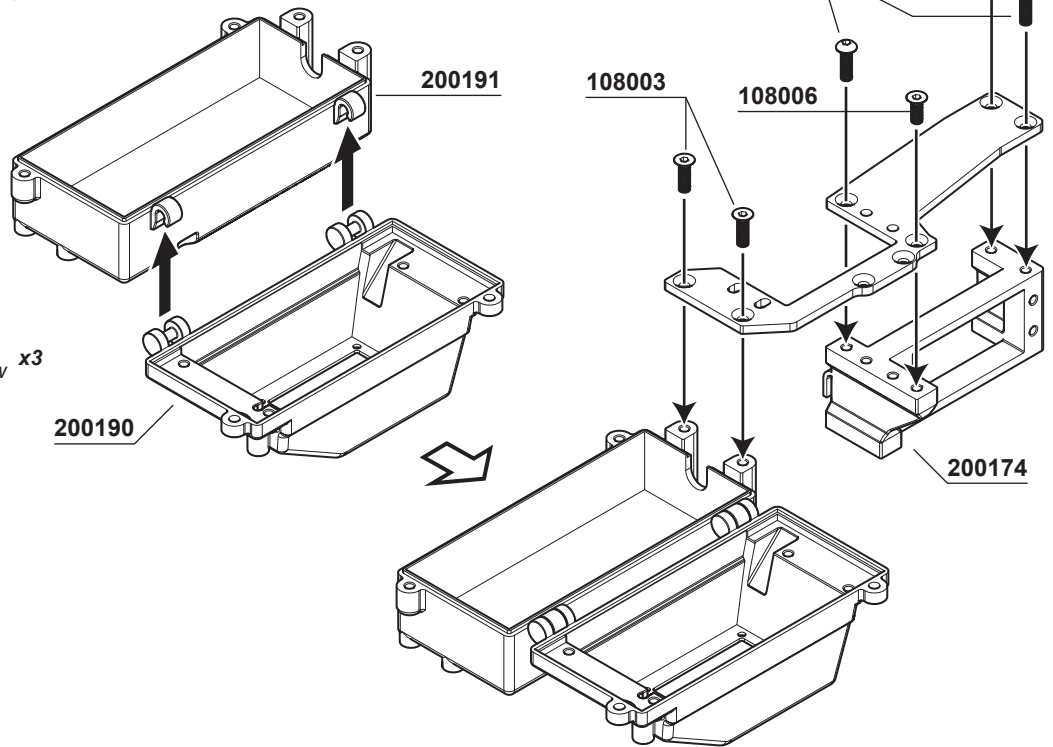
108006
M3x8mm FH/ST HEX Screw x1



108003
M3x10mm FH/ST HEX Screw x2



106002
M3x10mm Hex Socket OH/TP Screw x3



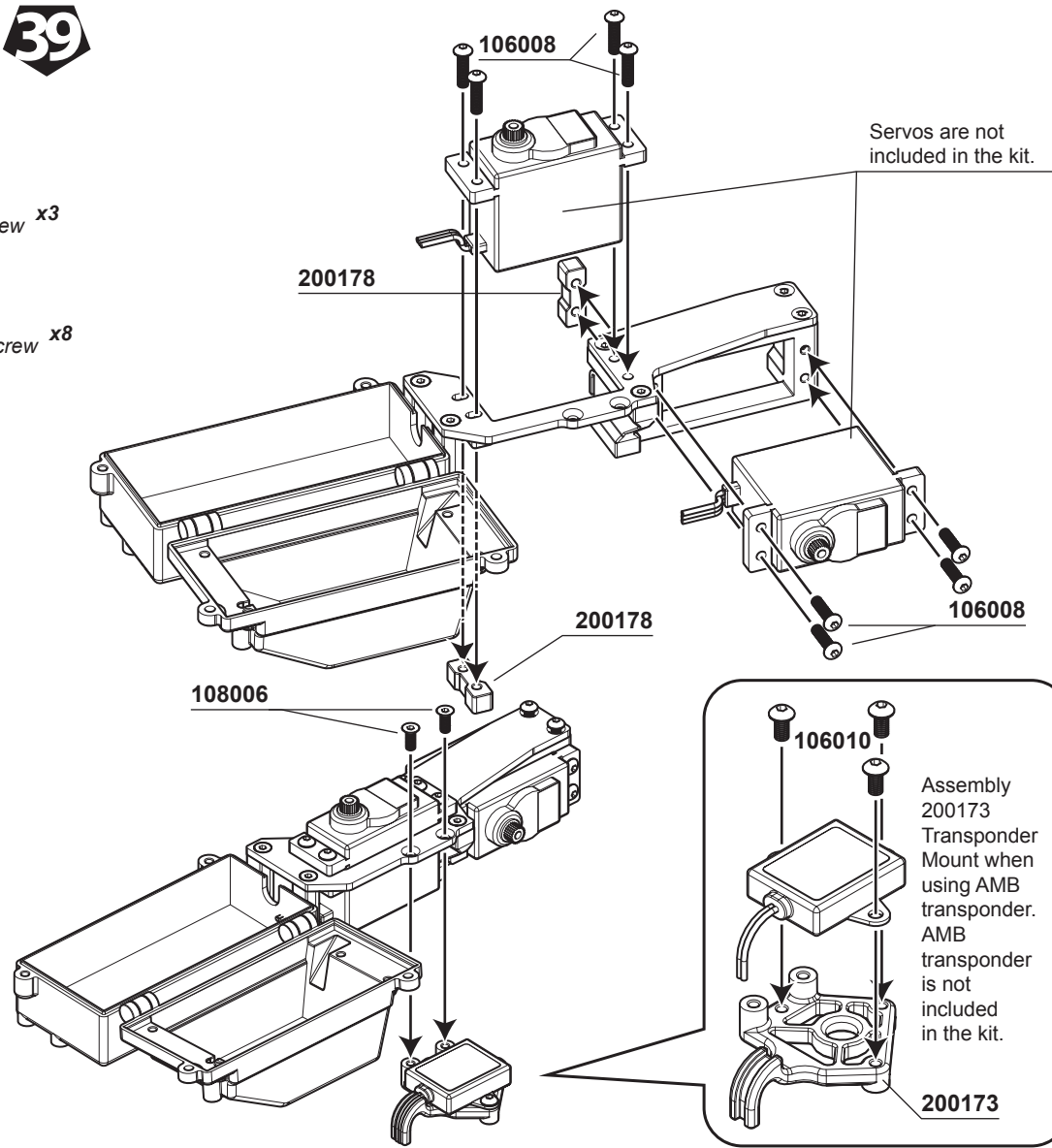
108006
M3x8mm FH/ST HEX Screw x2

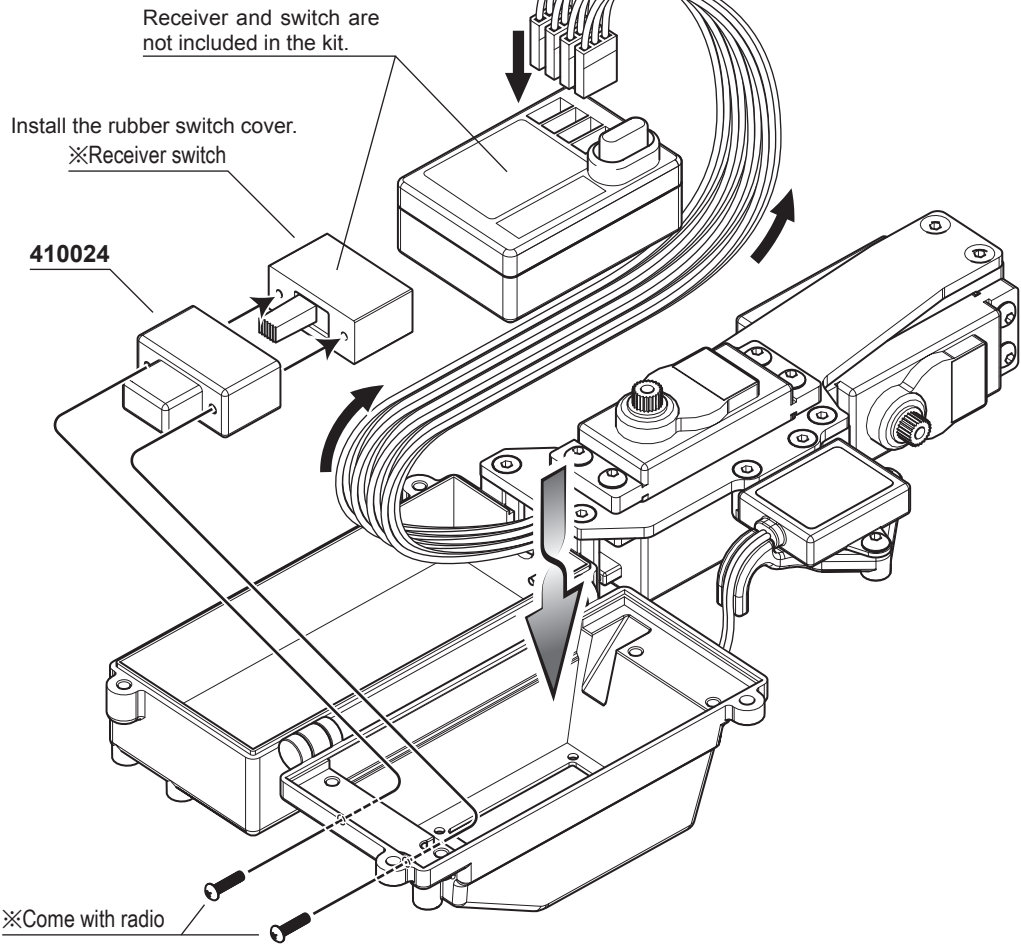


106010
M3x6mm Hex Socket OH/TP Screw x3

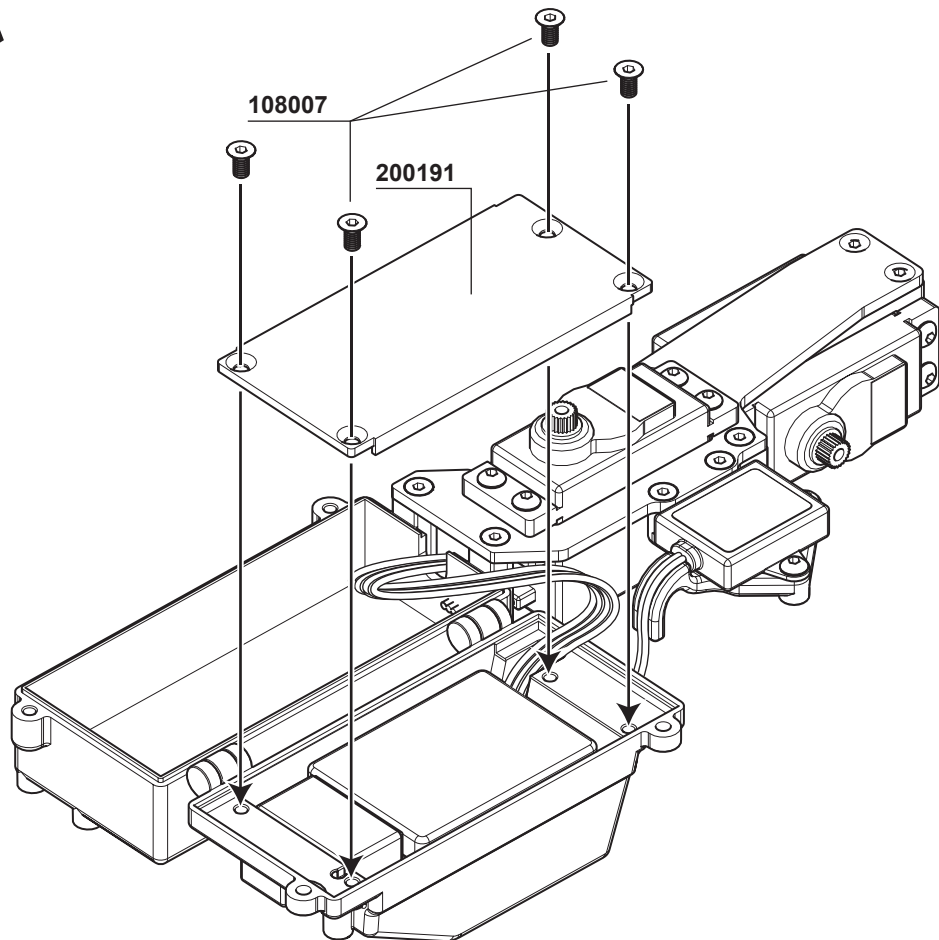


106008
M3x12mm Hex Socket OH/TP Screw x8



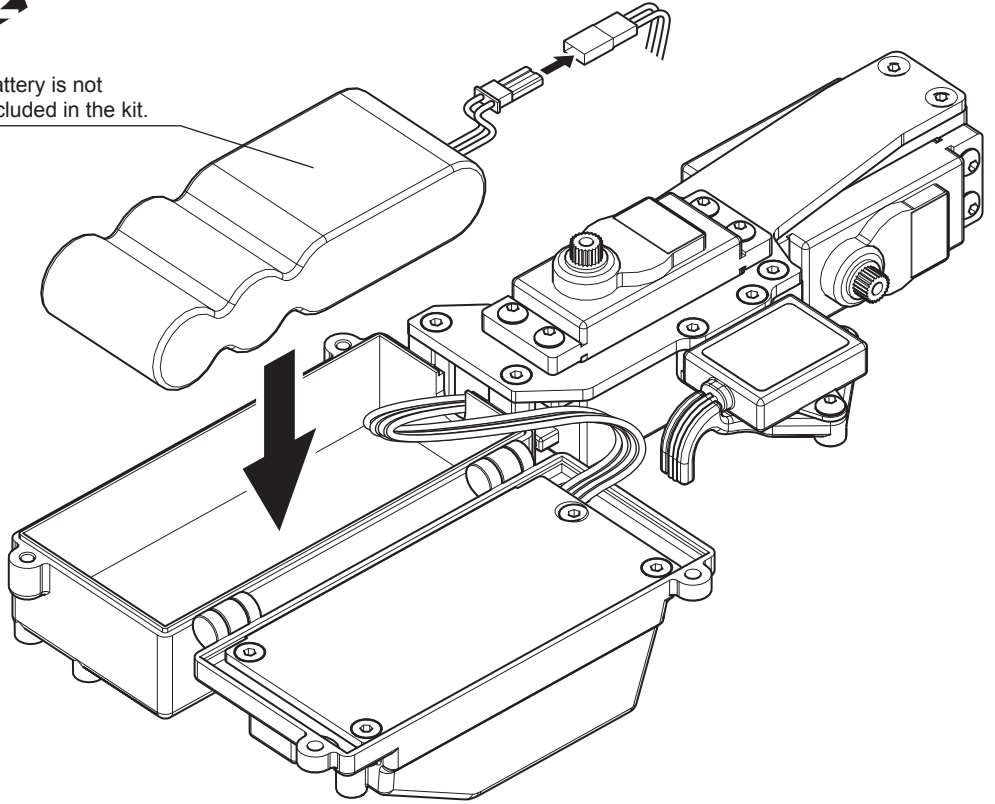


108007
M3x6mm FH/ST HEX Screw x4



42

Battery is not included in the kit.



108003
M3x10mm FH/ST HEX Screw x2

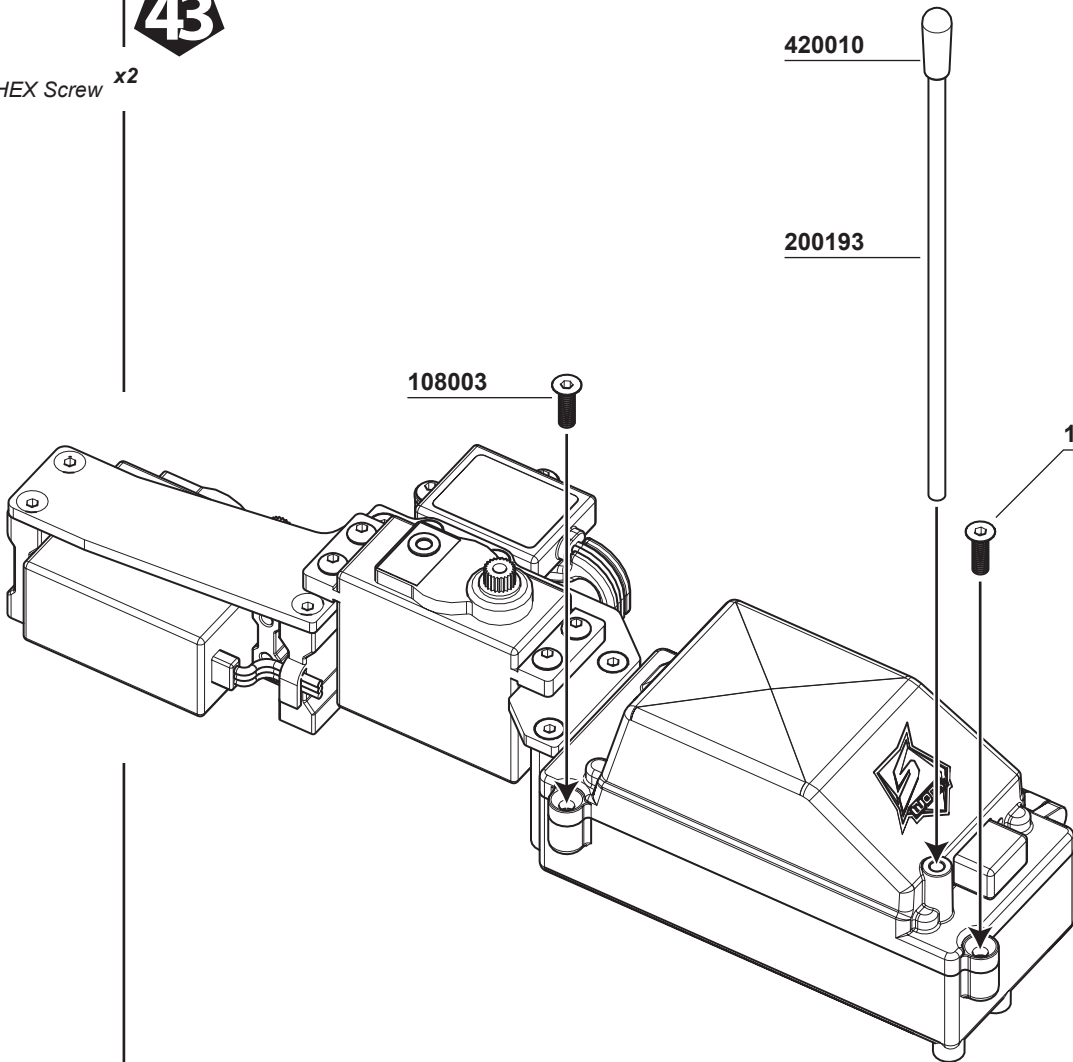
43

420010

200193

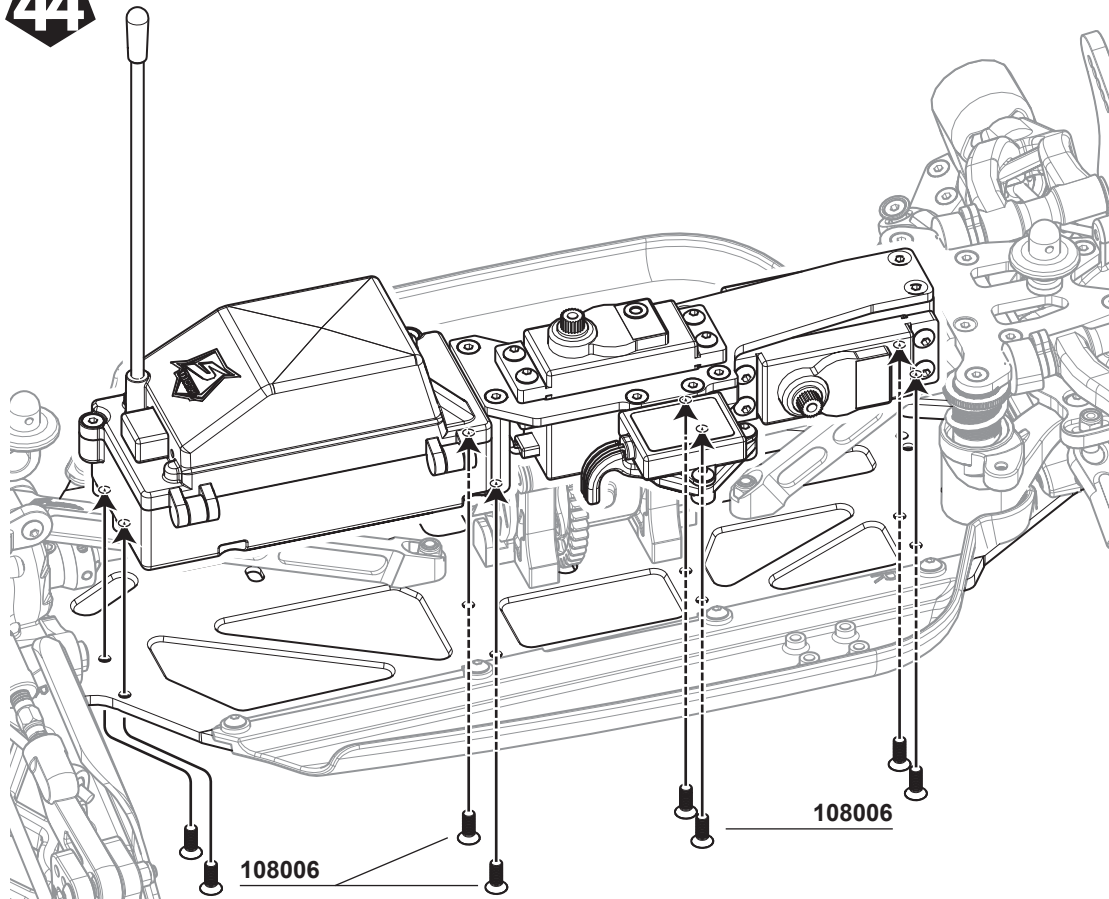
108003

108003





108006
M3x8mm FH/ST HEX Screw x8



103001
M3 Nut Lock x1



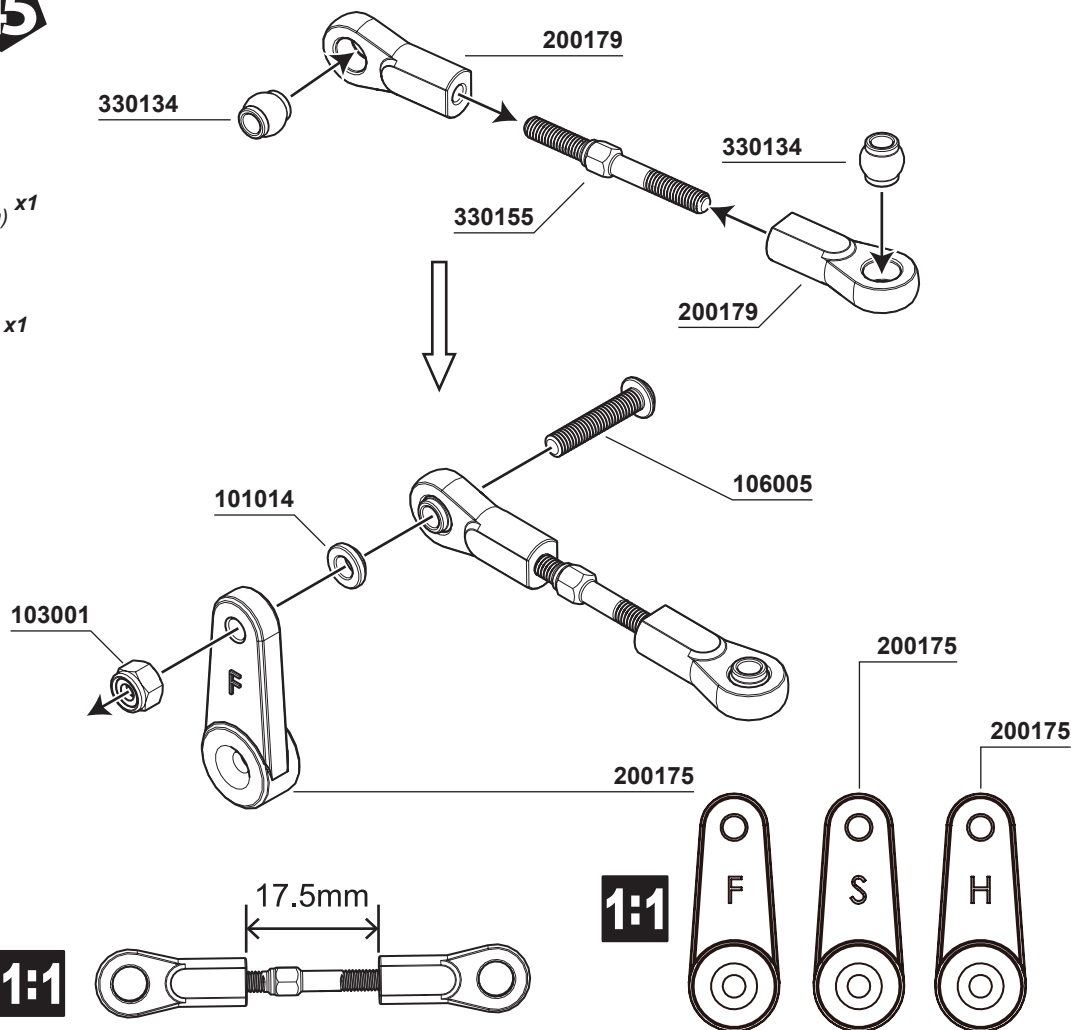
330155
Steering Servo Turnbuckle (M3x30mm) x1



106005
M3x15mm Hex Socket OH/TP Screw x1



101014
M3 Pivot Ball Bushing x1





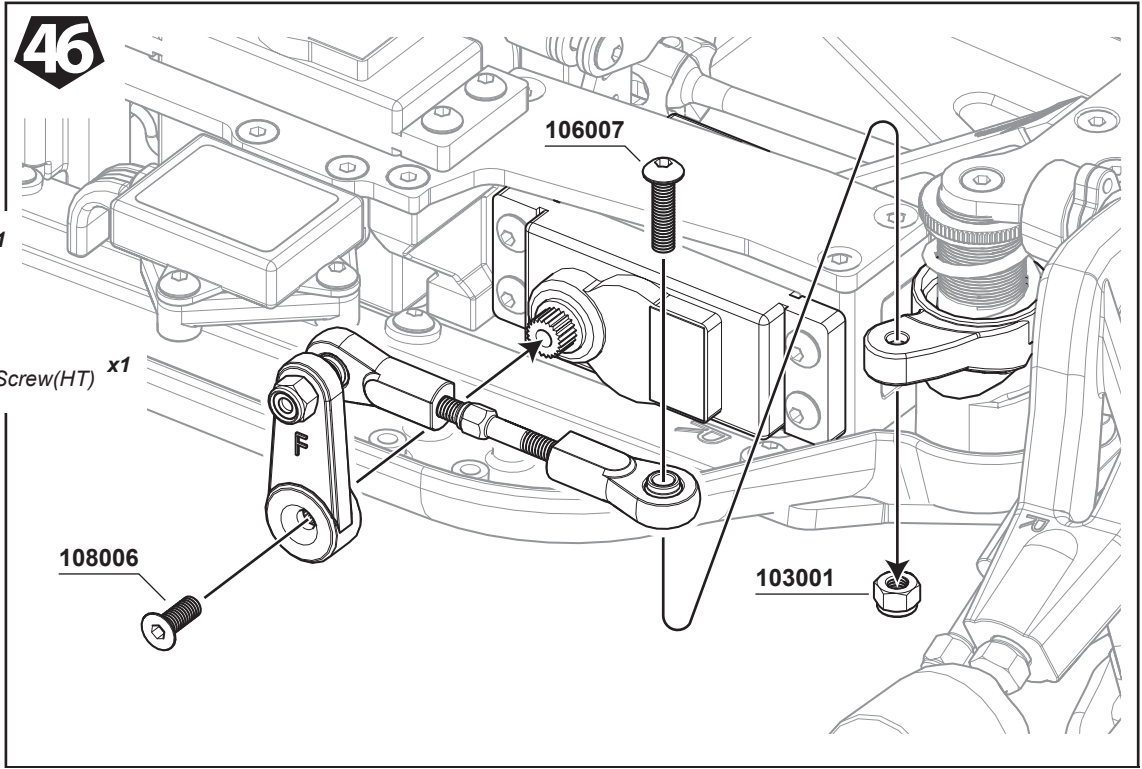
103001
M3 Nut Lock x1



108006
M3x8mm FH/ST HEX Screw x1



106007
M3x12mm Hex Socket OH/TP Screw(HT) x1



BAG M

47



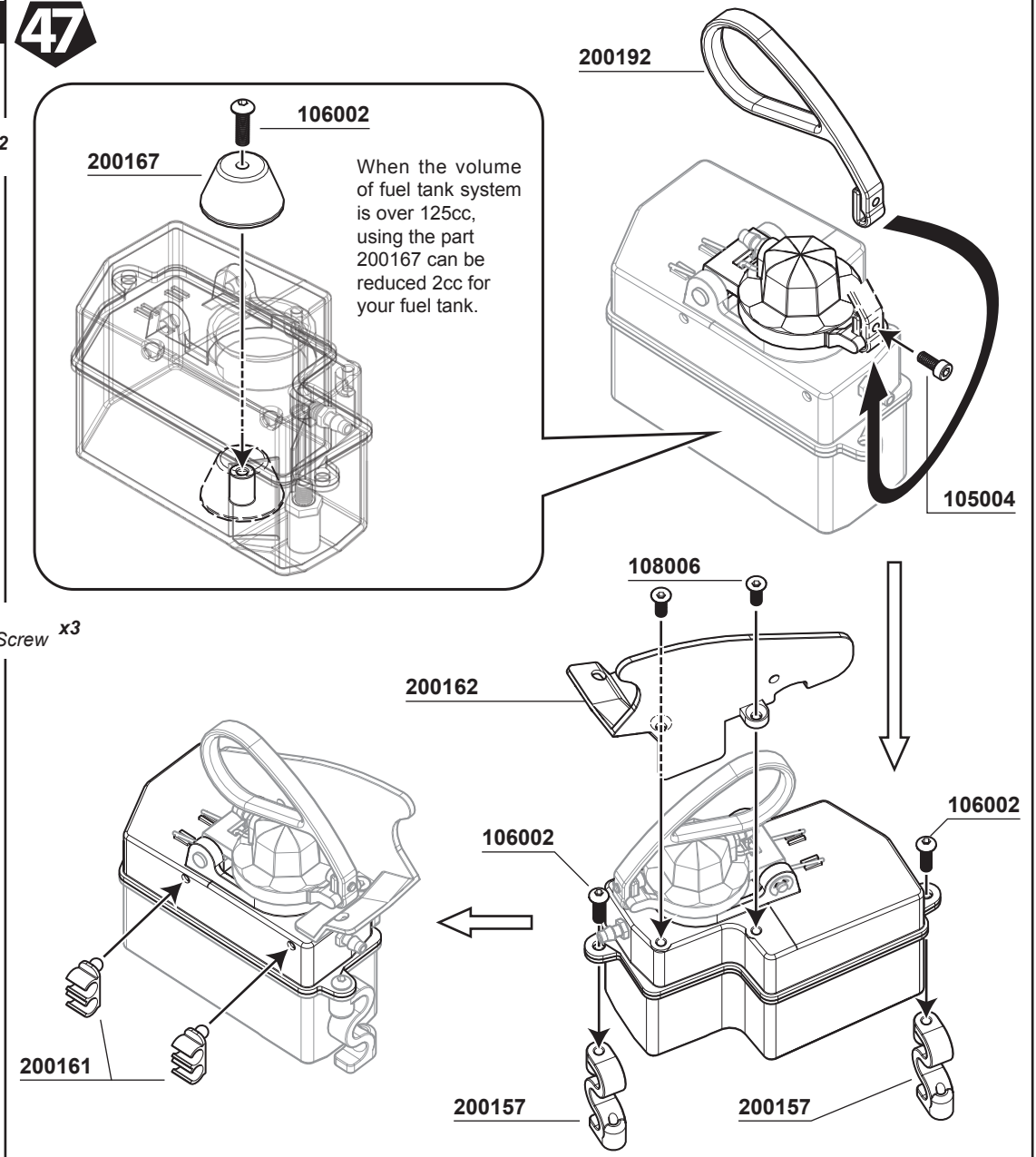
108006
M3x8mm FH/ST HEX Screw x2



105004
M2.6x6mm Cap Screw x1



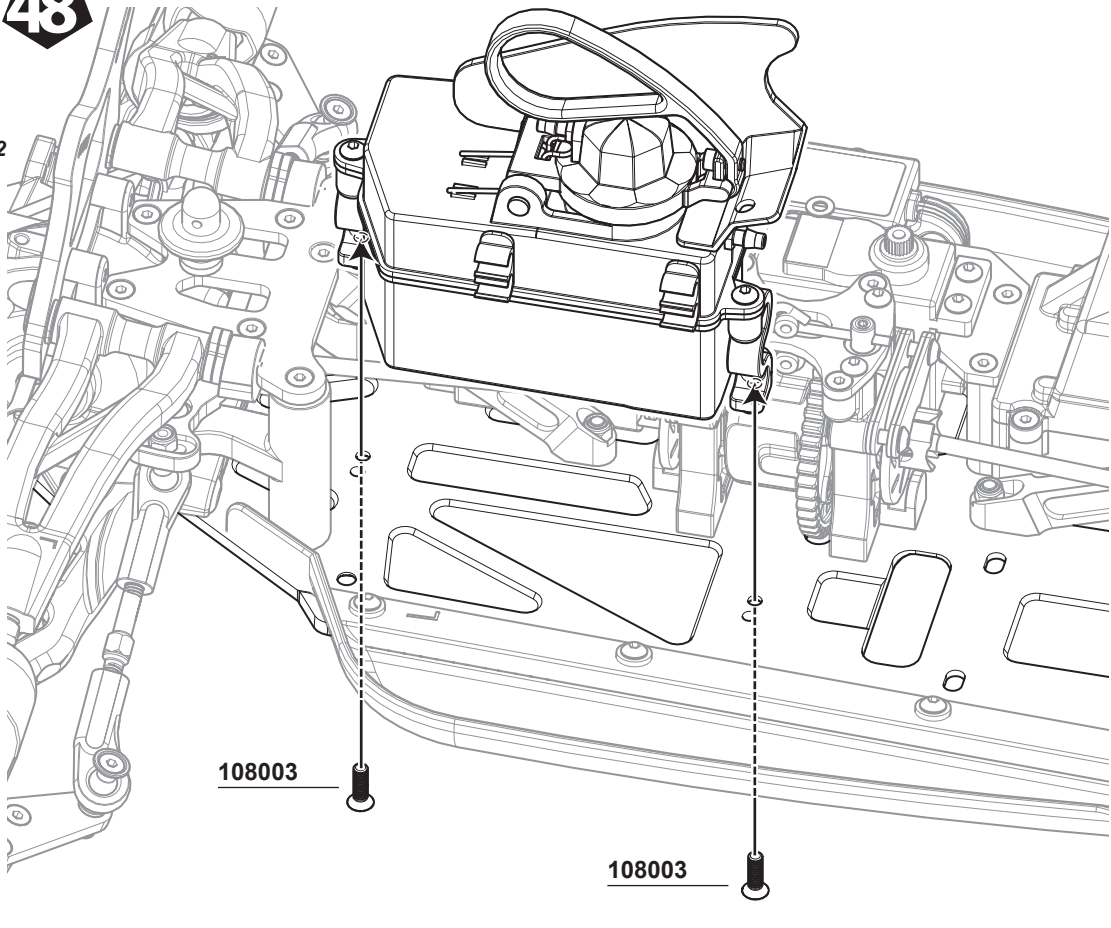
106002
M3x10mm Hex Socket OH/TP Screw x3



48



108003
M3x10mm FH/ST HEX Screw x2



BAG J

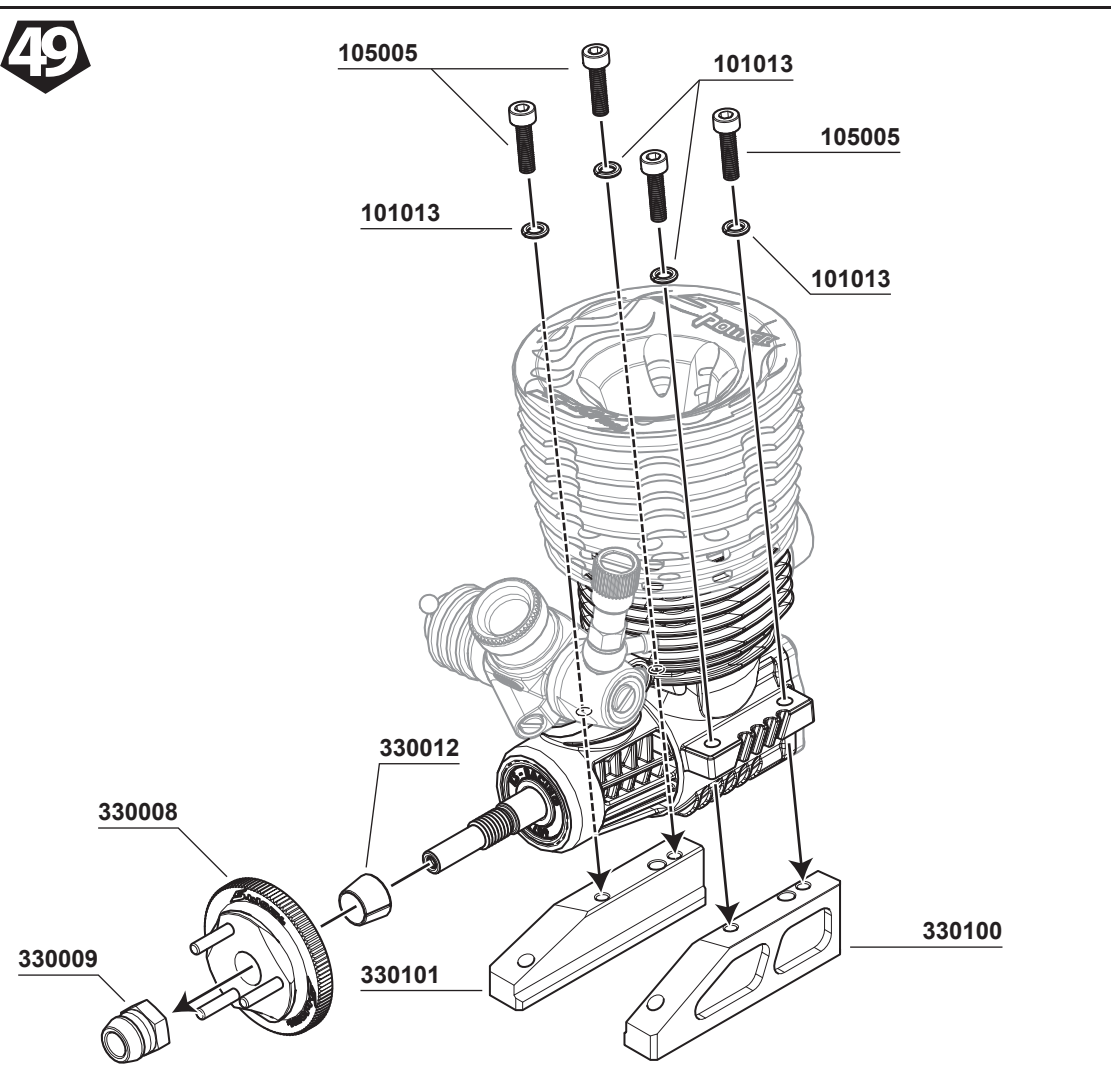
49



105005
M3x12mm Cap Screw x4



101013
3mm Spring Washer x4





105001
M3x8mm Cap Screw x1



101012
M3x6xT0.6mm x1



101017
M2.7x6xT0.3mm x3



101015
M5x8xT0.4mm x5



116010
Ball Bearing 5x10x4mm x2



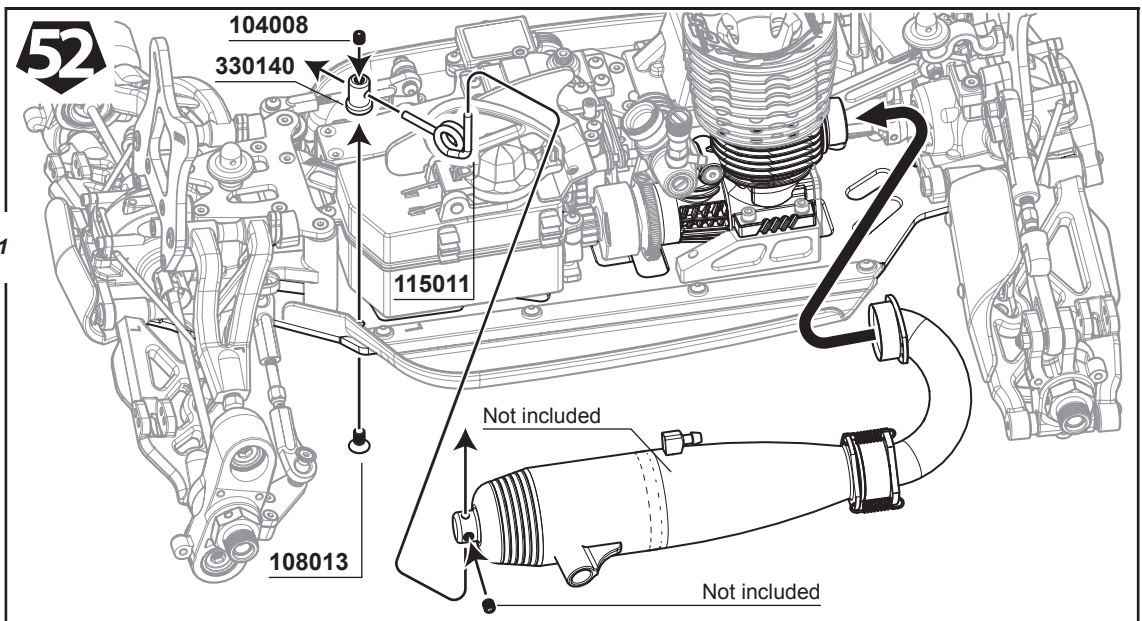
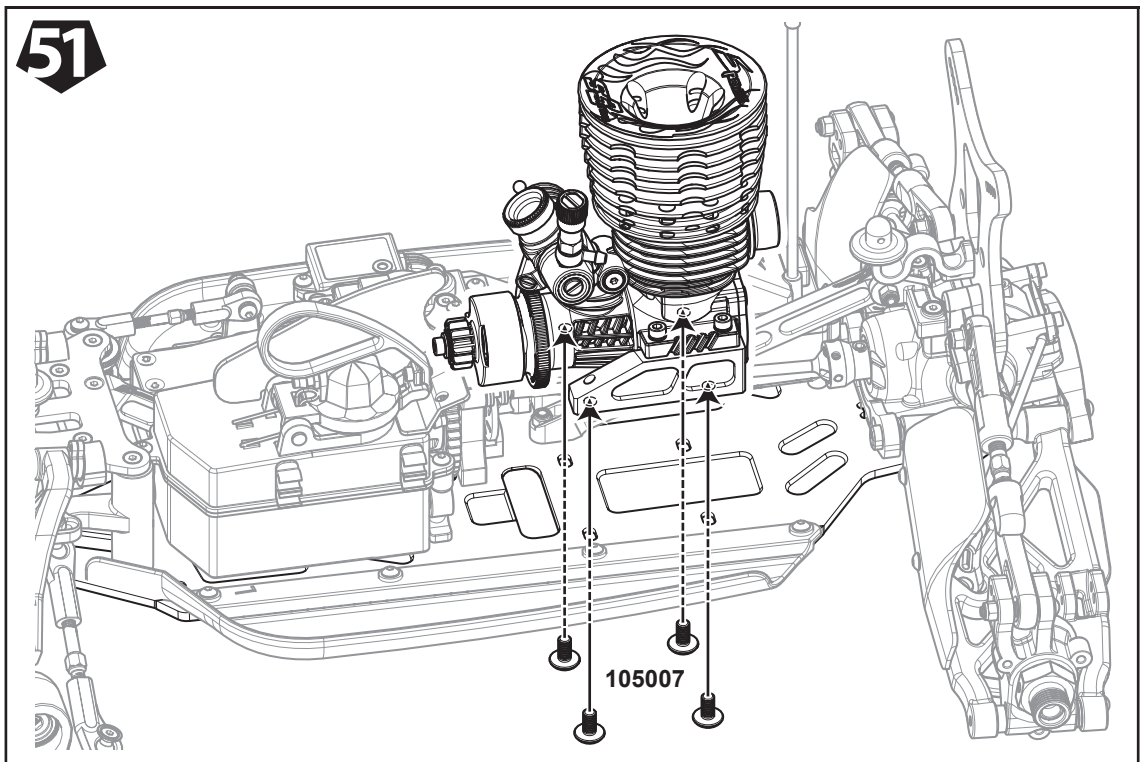
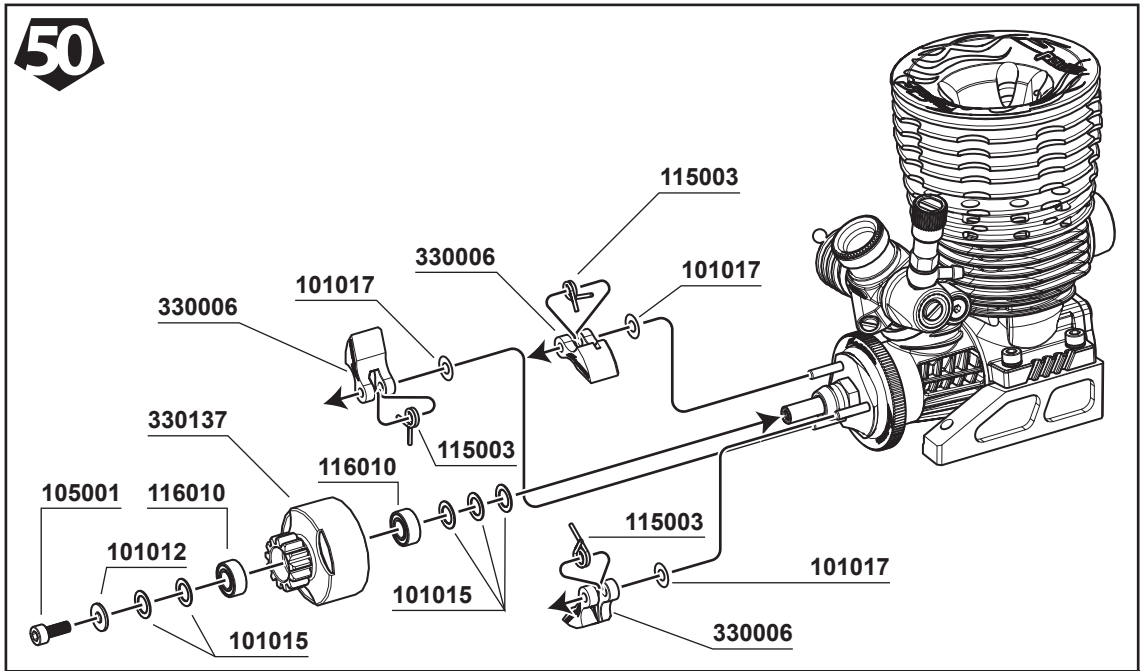
105007
M4x8mm I-Head Screw x4







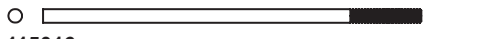
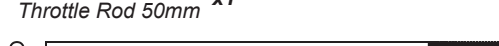
104008
M4x4mm Set Screw x1

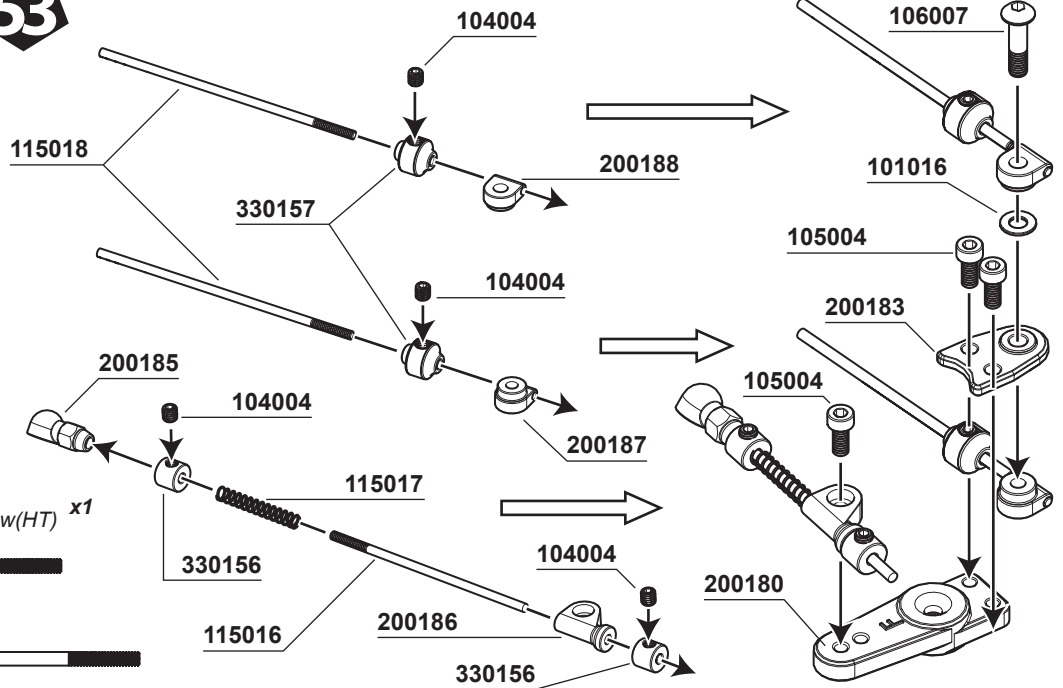




108013
M4x8mm FH/ST HEX Screw x1





-  **104004**
M3x3mm Set Screw x6
-  **101016**
M3x8xT0.8mm x1
-  **105004**
M2.6x6mm Cap Screw x3
-  **106007**
M3x12mm Hex Socket OH/TP Screw(HT) x1

-  **115016**
Throttle Rod 50mm x1
-  **115018**
Brake Rod 60mm x2



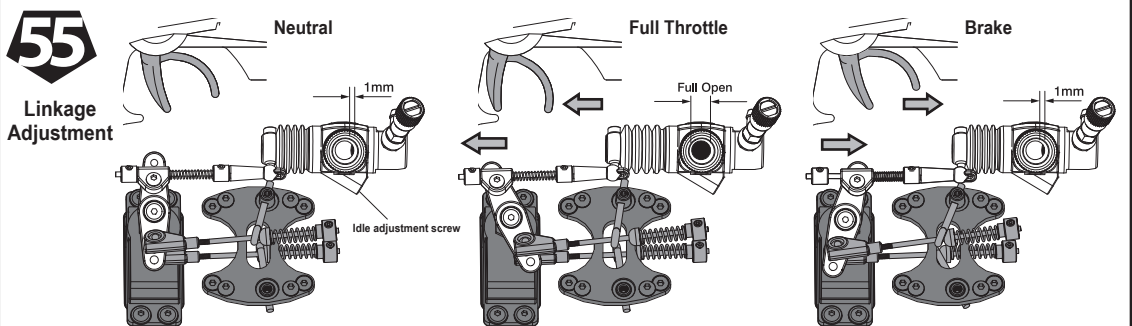
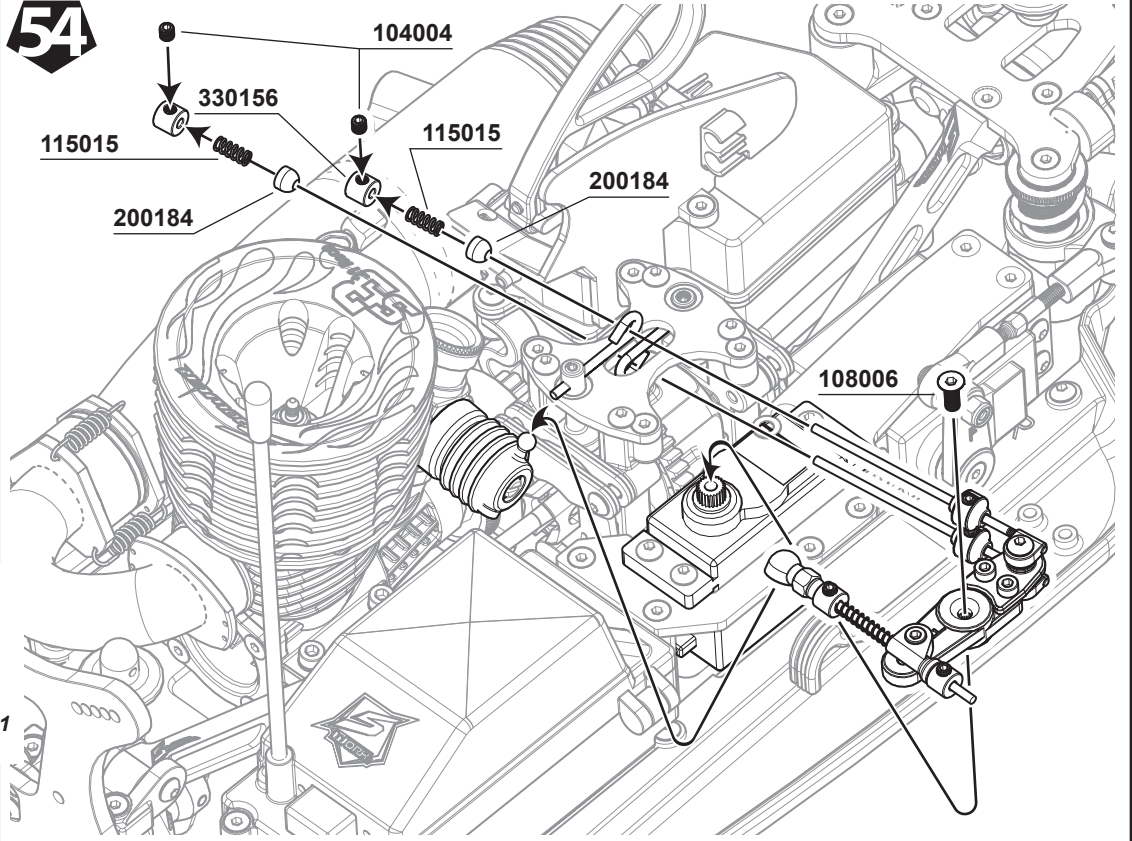
-  **330156**
Adjuster Knob x4
-  **330157**
Brake Adjuster Knob x2

-  **115015**
Brake Spring x2
-  **115017**
Throttle Rod Spring x1

-  **108006**
M3x8mm FH/ST HEX Screw x1

-  **200187**
Throttle Linkage Holder (Done) x1

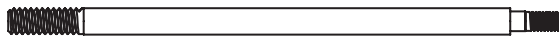
-  **200188**
Throttle Linkage Holder (Up) x1



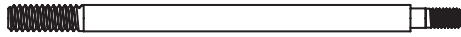
※ Turn on the transmitter and receiver. Set the throttle servo trim in neutral. Adjust the idle adjustment screw to make the carburettor opening no more than 1mm. Adjust the position of servo horn. Check that it operates smoothly without making the operation of the other parts difficult. Make sure the brake does not work in this setting.

※ Adjust the servo horn to fully open the carburettor. Change the position of servo horn if the carburettor is not fully open or opens too much. If your transmitter has a function to adjust throttle end points, make an adjustment this way.

※ Adjust the position of servo horn to make the brakes function. Make sure the brakes do not work when the servo trim is in neutral.



330132
Shock Shaft (L) x2



330133
Shock Shaft (S) x2



330095
Shock Washer 3.6x7x1mm x4



330096
Shock Washer 3.6x7x2.5mm x4



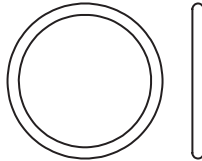
101011
M2.6x6xT0.6mm x4



400006
Shock Seal O-Ring x8



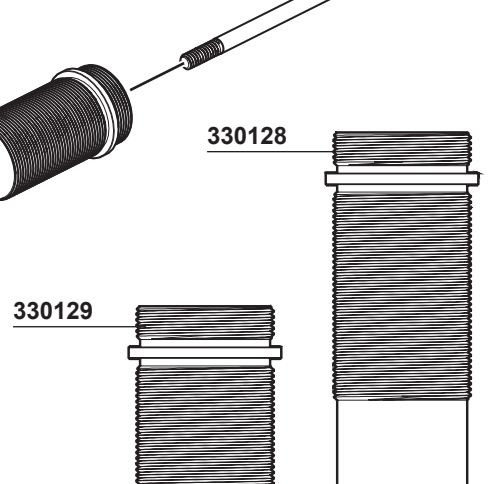
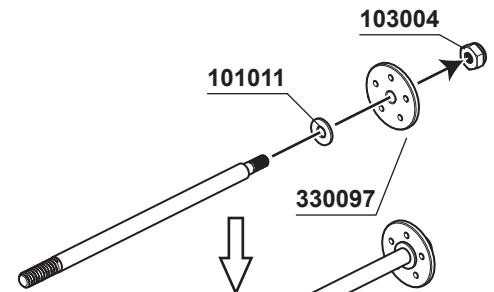
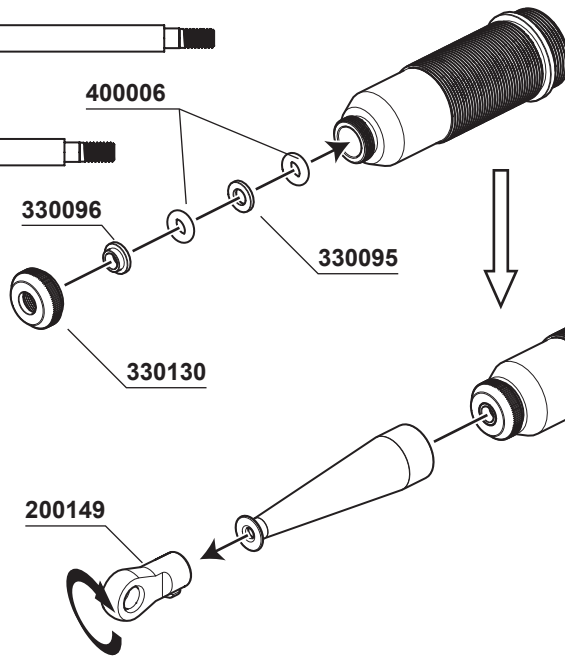
103004
M2.5 Nut Lock x4



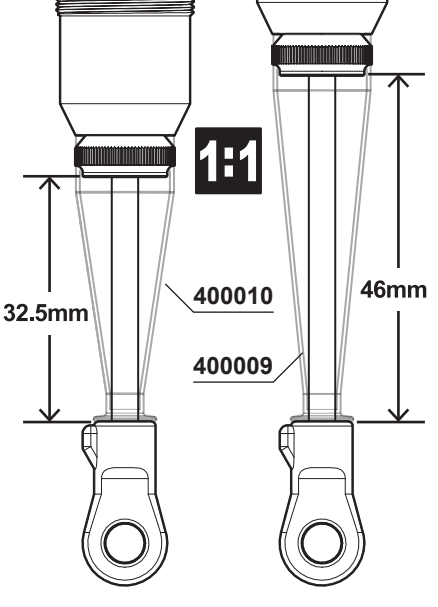
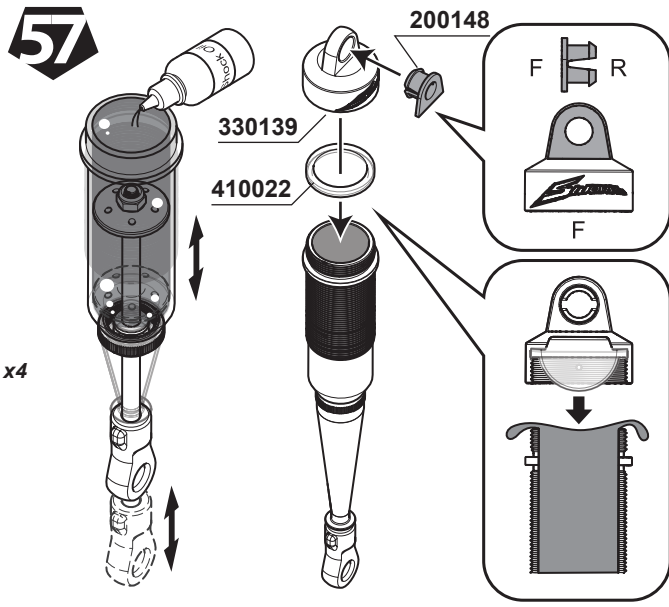
400005
Shock Spring Adjust Nut O-Ring x4



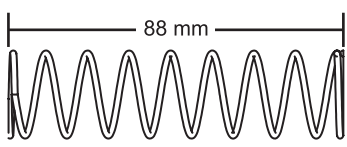
410022
Shock Bladder x4



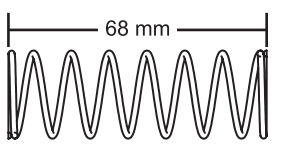
57



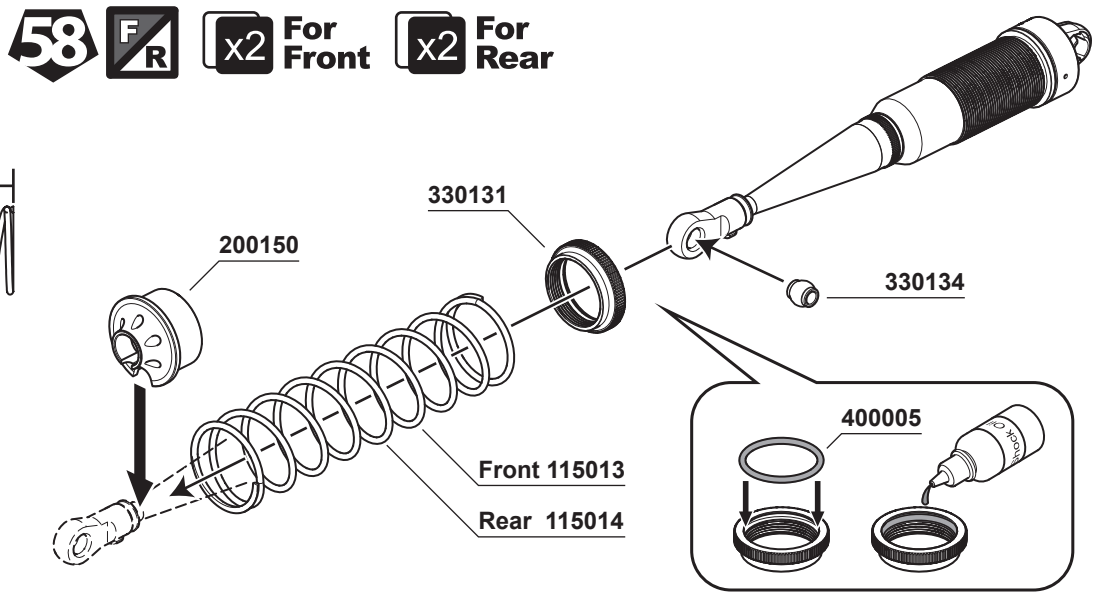
58



Rear 115014
Shock Spring 1.6mm (L) x2

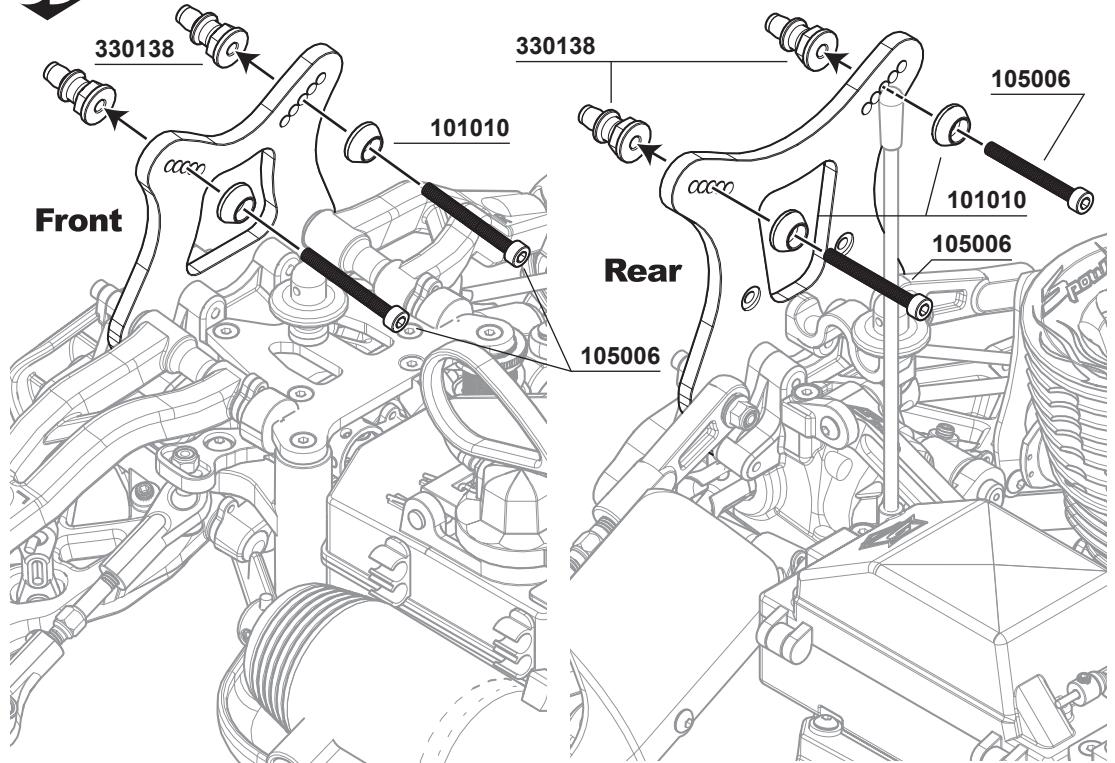


Front 115013
Shock Spring 1.6mm (S) x2





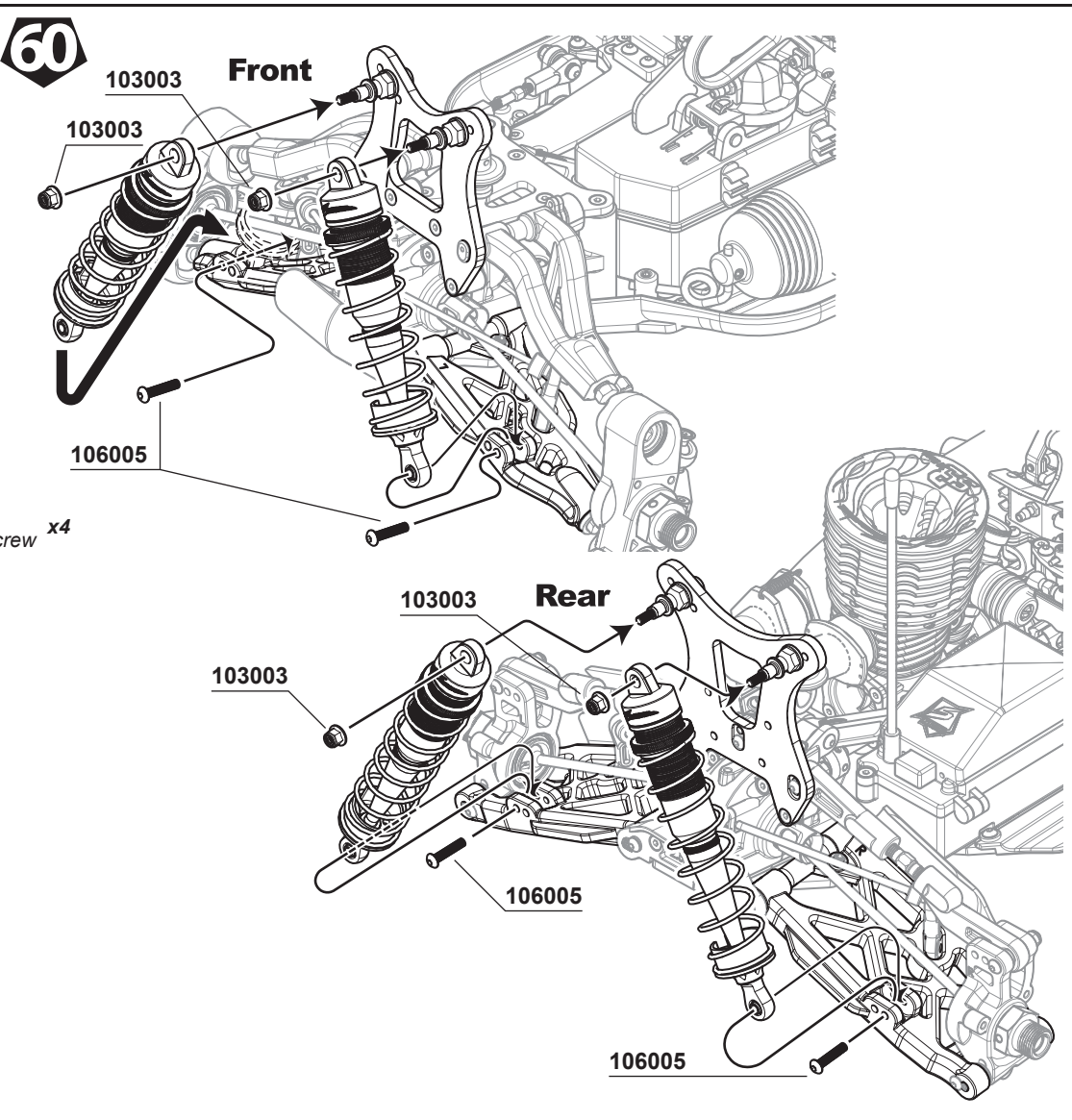
105006
M3x28mm Cap Screw x4



103003
Flange M3 Nut Lock x4



106005
M3x15mm Hex Socket OH/TP Screw x4



61



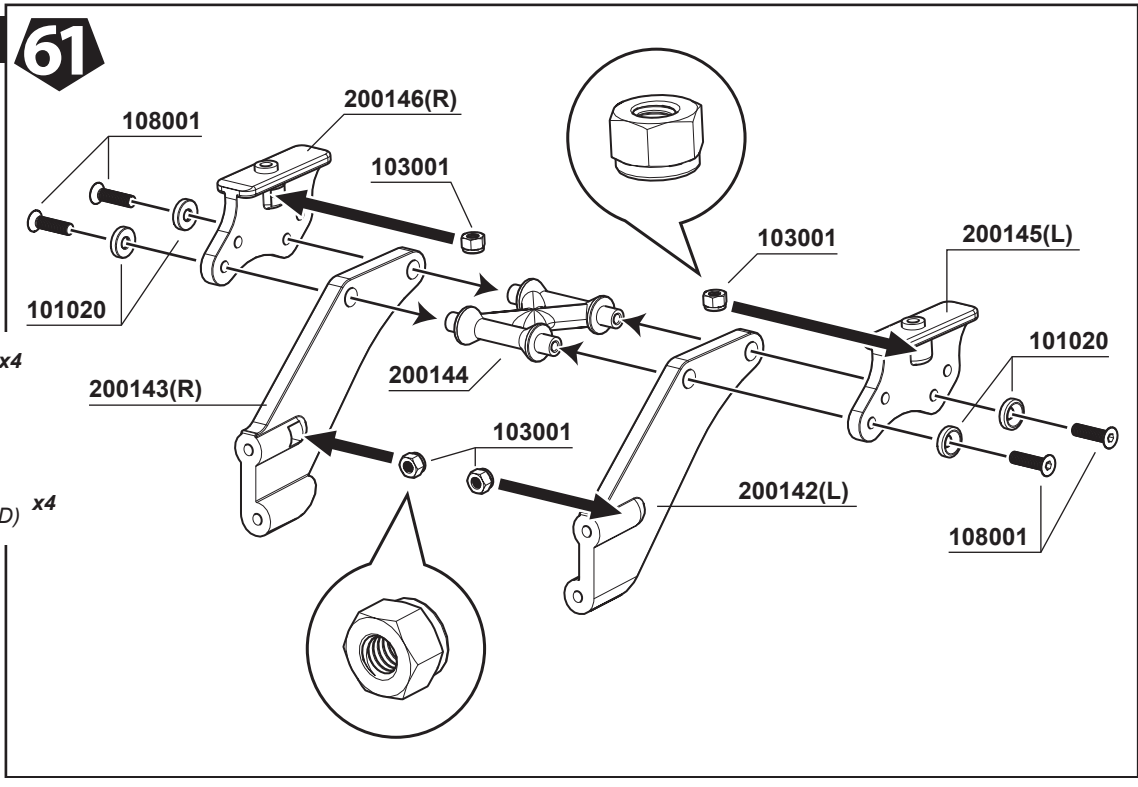
103001
M3 Nut Lock x4



108001
M3x12mm FH/ST HEX Screw x4

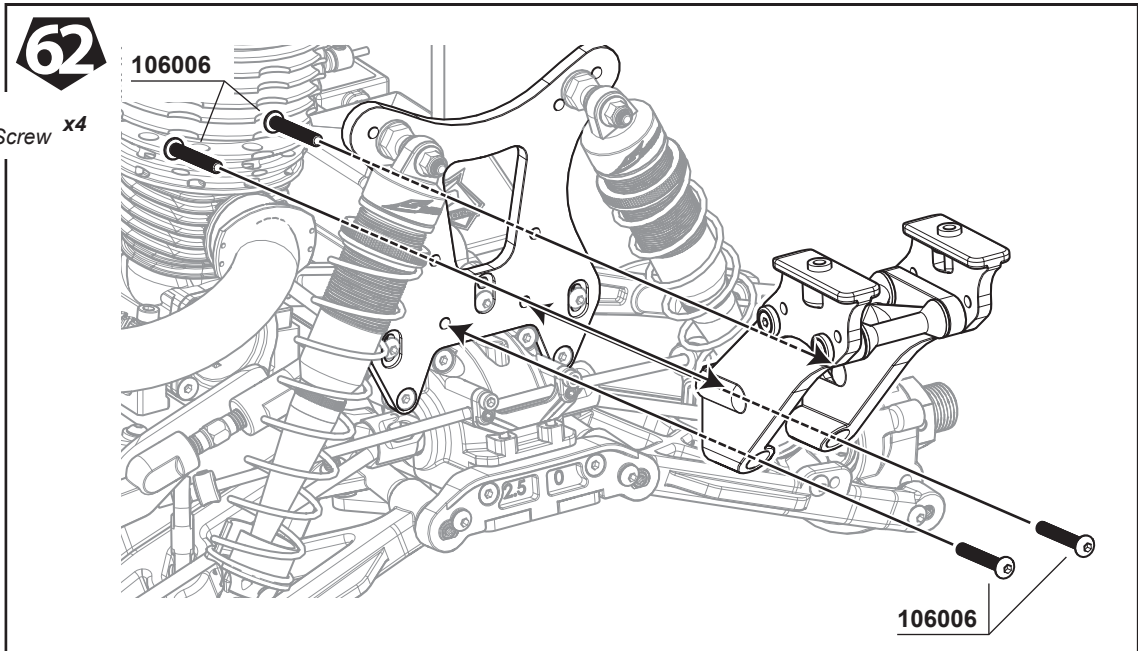


101020
3mm Countersunk Washers (RD) x4



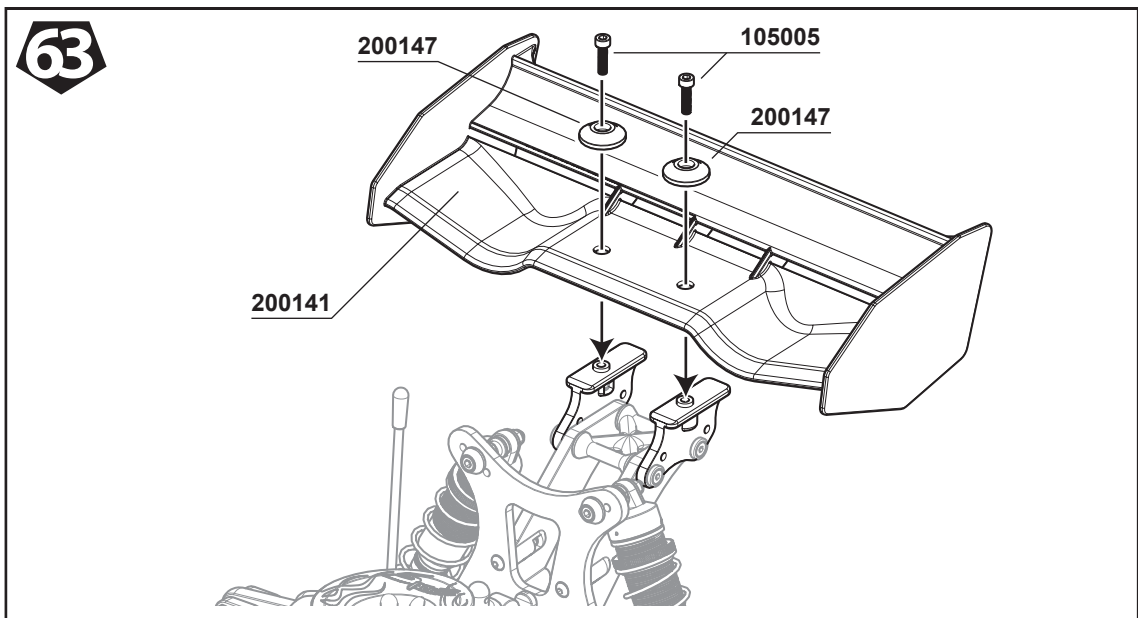
106006
M3x20mm Hex Socket OH/TP Screw x4

62



105005
M3x12mm Cap Screw x2

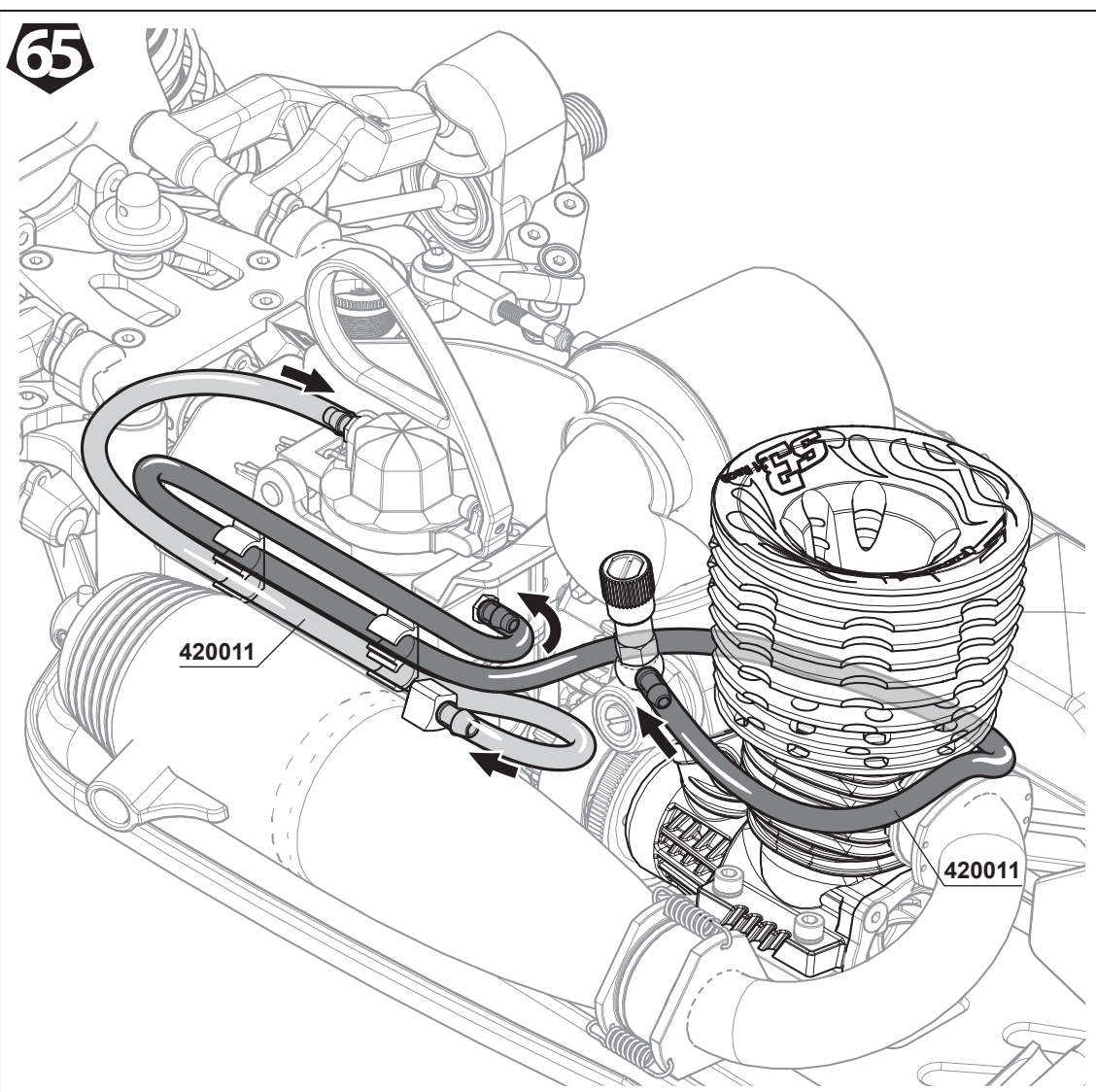
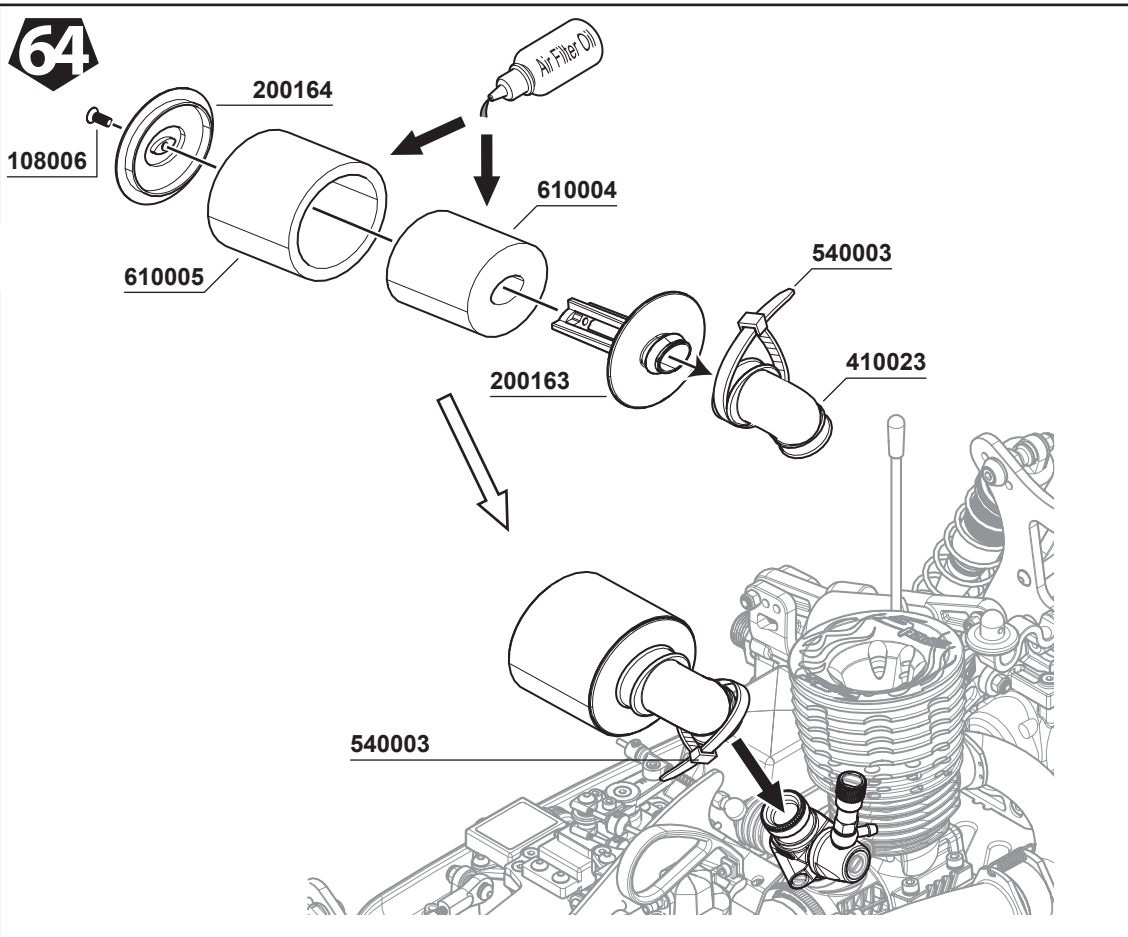
63



64



108006
M3x8mm FH/ST HEX Screw x1





106010
M3x6mm Hex Socket OH/TP Screw x12

200154

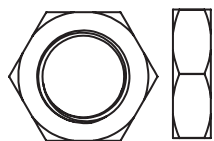
200152

200151

106010

200153

106010



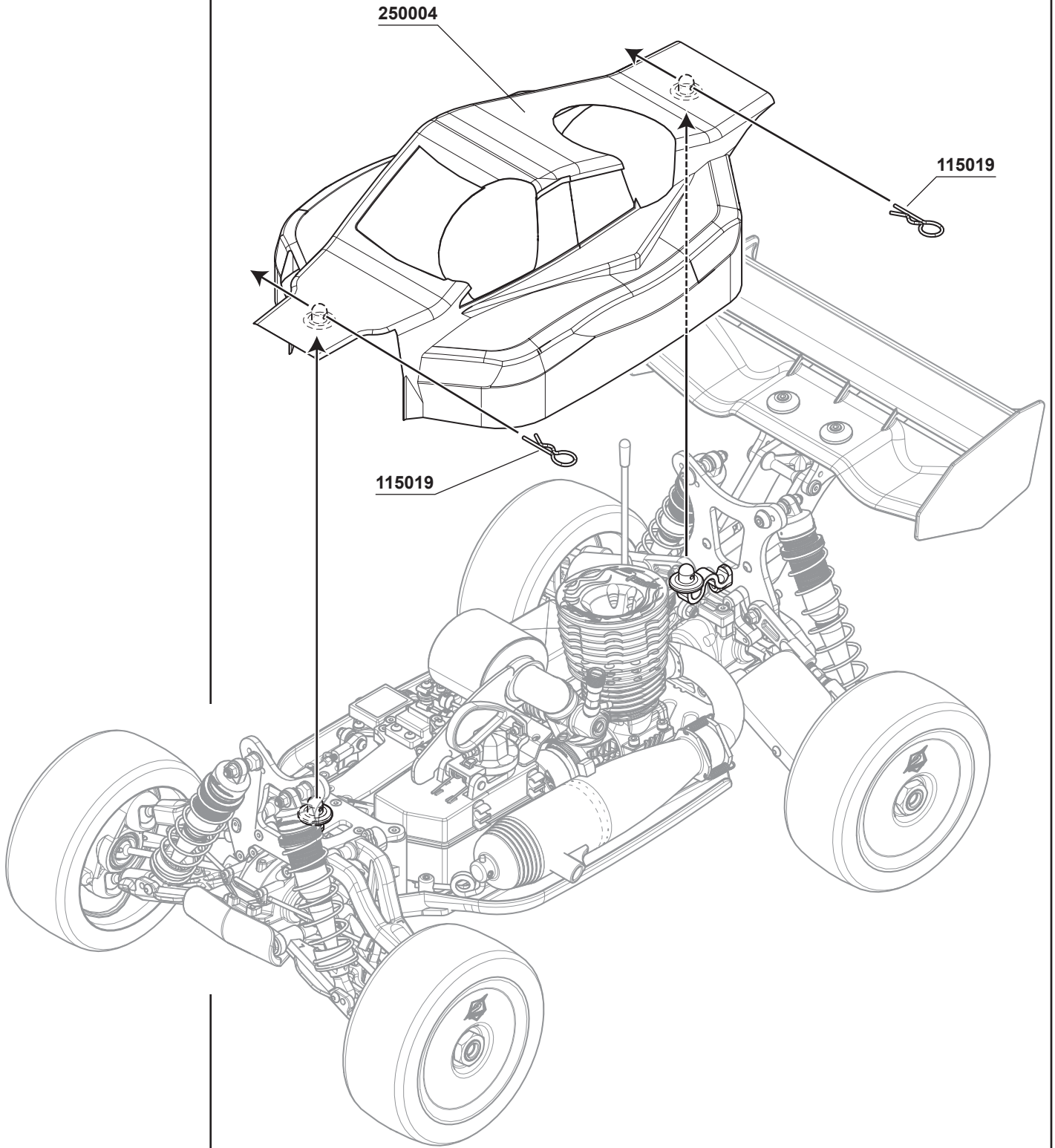
330122
Wheel Nut x4

200022

330122

200022

330122



SET-UP SHEET

Race time / Lap: _____

Best lap: _____



Name: _____
Date: _____
Track: _____

Diff. Oil
Front: # _____
Center: # _____
Rear: # _____

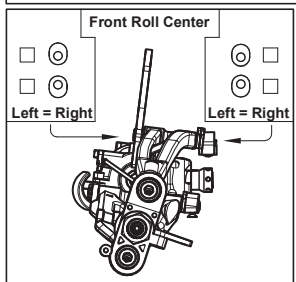
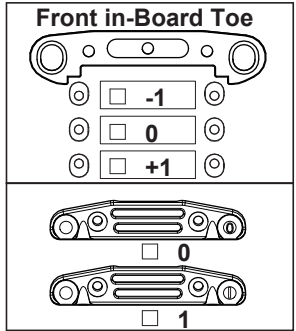
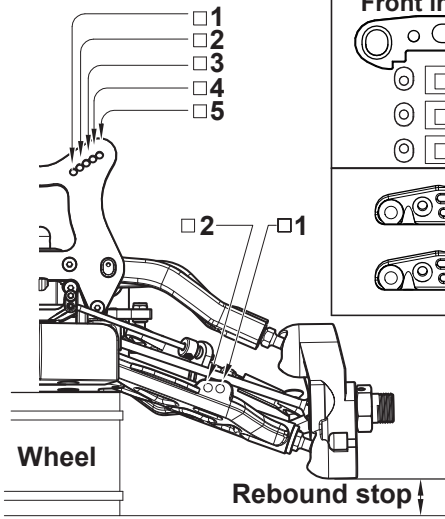
Tire
Front Type: _____ Rear Type: _____
Foam: _____ Foam: _____

Track Conditions
Size: Open Med. Tight
Traction: High Med. Low
Surface: Smooth Med. Bumpy

Engine
Type: _____
Gasket: _____ mm Muffler: _____
Plug: _____ Fuel: _____

Clutch
Clutch shoes: _____
Spring: _____ mm
Clutch bell / Spur gear: _____

Front Suspension

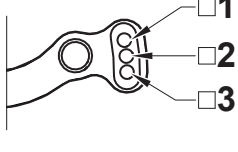


Track width _____ mm
Camber angle Upper _____ mm
Lower _____ mm
Toe angle _____
Rebound stop _____ mm
Sway bar Use _____ mm
 None

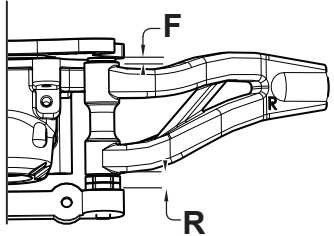
Front Shocks

Oil: _____
Pistons: _____
Spring: _____
Spacer: _____ mm

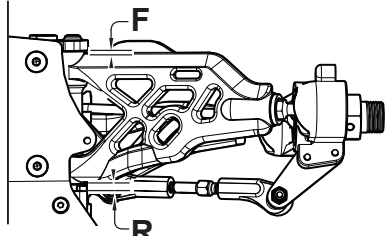
Steering Ackerman



_____ mm
Notes: _____

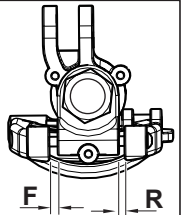
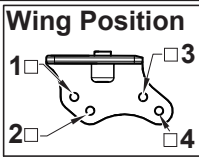
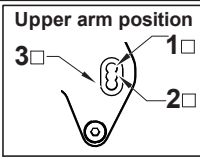
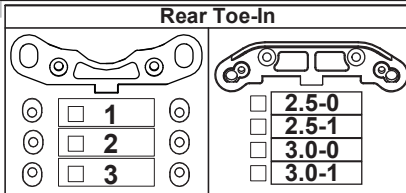
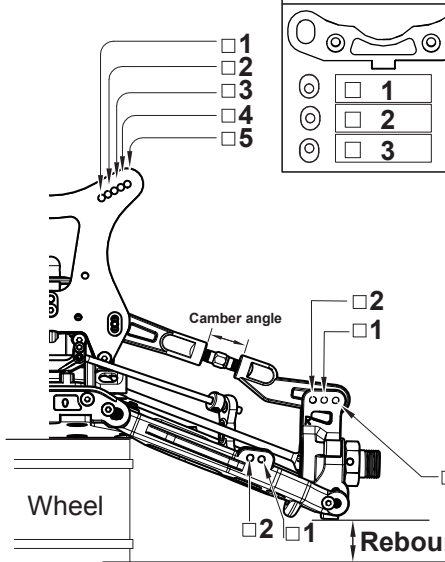


F: _____ mm
R: _____ mm



F: _____ mm
R: _____ mm

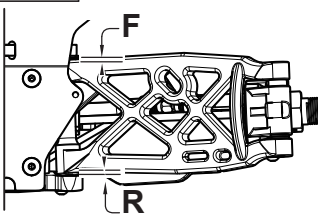
Rear Suspension



Camber angle _____ mm
Rebound stop _____ mm

Rear Shocks
Oil: _____
Pistons: _____
Spring: _____
Spacer: _____ mm

Wheelbase adjustment F _____ mm
R _____ mm
Sway bar Use _____ mm
 None



F: _____ mm
R: _____ mm

Notes: _____



Name: SWORKz
 Date: 2011.5.20
 Track: N/A

Diff. Oil
 Front: # 2000
 Center: # 3000
 Rear: # 2000

Track Conditions

Size: Open Med. Tight
 Traction: High Med. Low
 Surface: Smooth Med. Bumpy

Engine

Type: S-POWER S3
 Gasket: 0.2 mm Muffler: SWORKz TB-1
 Plug: S-POWER Fuel: RB Fuel

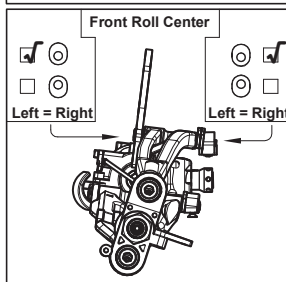
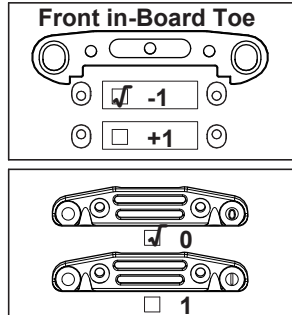
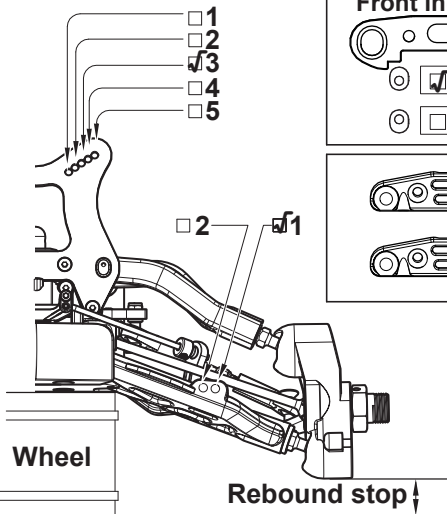
Tire

Front Rear
 Type: JC 3034 Type: JC 3034
 Foam: Standard Foam: Standard

Clutch

Clutch shoes: SWORKz Tornato
 Spring: 1.0 mm
 Clutch bell / Spur gear: 13/46T

Front Suspension

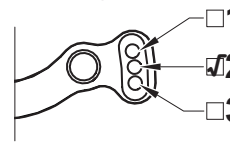


Track width 308 mm
 Camber angle Upper 0 mm
 Lower 2 mm
 Toe angle _____
 Rebound stop N/A mm
 Sway bar Use 2.4 mm
 None

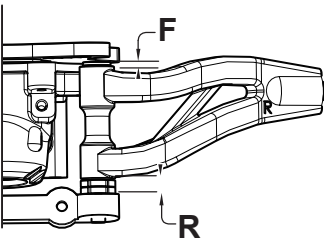
Front Shocks

Oil: 450cps
 Pistons: 1.3x5Hales
 Spring: Black
 Spacer: 10 mm

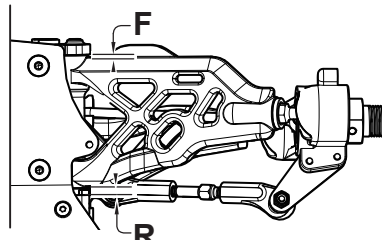
Steering Ackerman



3 mm
 Notes: _____

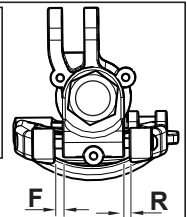
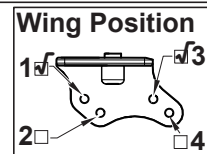
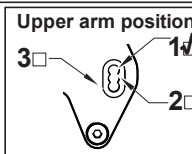
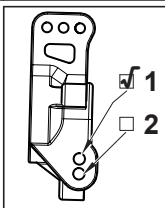
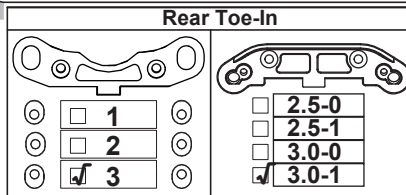
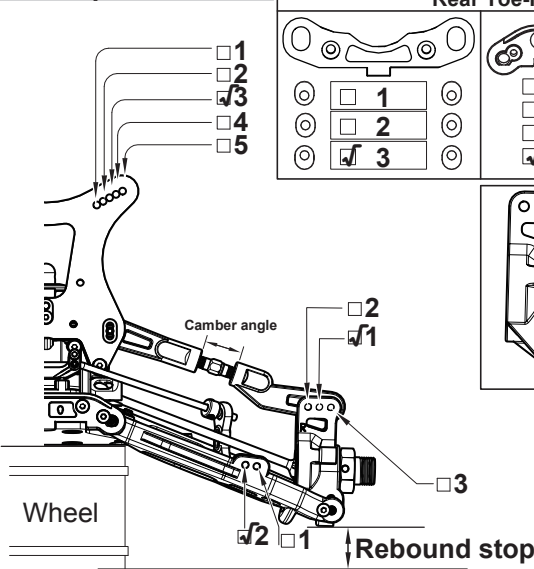


F: 0 mm
 R: 4 mm



F: 0 mm
 R: 2 mm

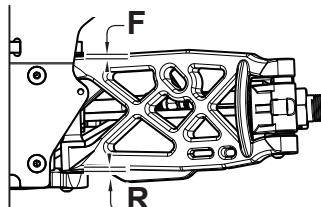
Rear Suspension



Camber angle _____ mm
 Rebound stop N/A mm

Rear Shocks
 Oil: 400cps
 Pistons: 1.3x5Hales
 Spring: Black
 Spacer: 12 mm

Wheelbase F 4 mm
 adjustment R 1 mm
 Sway bar Use 2.8 mm
 None



3 mm
 Notes: _____
 F: 1 mm
 R: 0 mm

Parts No. List

Part No.	Part Name	Q'ty in Use	Item No.	Part No.	Part Name	Q'ty in Use	Item No.
200022WH	1/8 UFO Competiton Wheel set	4	SW-200022WH	200161	Fuel Tube Holder	2	SW-2501125
210002	Diff Case with Matel part	3	SW-210002	200163	Ail Filter Base	1	SW-2501126
210003	Fuel Tank	1	SW-210003	200164	Ail Filter End Cap	1	SW-2501126
200120	Front Lower Arm (L)	1	SW-2501093	300016	Matel Brake Calipers	4	SW-300016
200121	Front Lower Arm (R)	1	SW-2501093	300017	Brake Disc	2	SW-300017
200131	Rear Lower Arm (L)	1	SW-2501094	320003	Diff. Bevel Gear 18T	6	SW-320003
200132	Rear Lower Arm (R)	1	SW-2501094	320004	Diff. Bevel Gear 10T	12	SW-320004
200129	Rear Hub Carrier (L)	1	SW-2501095	330006	Tornado Clutch Shoes	3	SW-330006
200130	Rear Hub Carrier (R)	1	SW-2501095	330008	Tornado Fly Wheel Set	1	SW-330008
200102	Front Lower Arm Holder (0 degree)	1	SW-2501096	330009	Tornado Fly Wheel Center Nut	1	SW-330008
200103	Front Lower Arm Holder (1 degree)	1	SW-2501096	330012	Fly Wheel Collect	1	SW-330008
200104	Rear Lower Arm Plate (0-2.5 D)	1	SW-2501096	330013	Bevel Gear Shaft	6	SW-330013
200105	Rear Lower Arm Plate (0-3.0 D)	1	SW-2501096	330014	Front/Rear Diff. Outdrive	4	SW-330014
200106	Rear Lower Arm Plate (1-2.5 D)	1	SW-2501096	330015	Pin M2.2x9.9mm	6	SW-330015
200107	Rear Lower Arm Plate (1-3.0 D)	1	SW-2501096	330017	Center Diff. Outdrive	2	SW-330017
200125	Front Upper Arm Holder	1	SW-2501096	330018	46T SPUR GEAR	1	SW-330018
200111	Front Bumper	1	SW-2501097	330086	Front Lower Suspension Plate	1	SW-330086
200142	Wing Stay (L)	1	SW-2501097	330087	Front Shock Tower (Al)	1	SW-330087
200143	Wing Stay (R)	1	SW-2501097	330088	Rear Lower Arm Holder	1	SW-330088
200144	Wing Stay Holder	1	SW-2501097	330089	Rear Shock Tower (Al)	1	SW-330089
200145	Wing Support (L)	1	SW-2501097	330090	Center Diff. Plate	1	SW-330090
200146	Wing Support (R)	1	SW-2501097	330091	Settring BellcrankPlate	1	SW-330091
200170	Rear Body Mount	1	SW-2501097	330092	Servo Saver Steering Plate	1	SW-330092
200171	Front Body Mount	1	SW-2501097	330093	Steering Knuckle Plate (L)	1	SW-330093
200122	Front Steering Knuckle (L)	1	SW-2501098	330094	Steering Knuckle Plate (R)	1	SW-330094
200123	Front Steering Knuckle (R)	1	SW-2501098	330095	Shock Washer 3.6x7x1mm	4	SW-330095
200108	R/F Insert (1 degree)	2	SW-2501099	330096	Shock Washer 3.6x7x2.5mm	4	SW-330096
200109	R/F Insert (0 degree)	2	SW-2501099	330097	Shock Piston 1.3mmx5 holes	4	SW-330097
200110	F/F Insert (1 degree)	2	SW-2501099	330099	Main Chassis	1	SW-330099
200126	F/Up Insert (1 degree)	4	SW-2501099	330100	Engine Mount (L)	1	SW-330100
200184	Brake Linkage Holder	2	SW-2501099	330101	Engine Mount (R)	1	SW-330101
200186	Throttle Linkage Holder	1	SW-2501099	330103	Front/Rear Lower Arm HingPin	4	SW-330103
200187	Throttle Linkage Holder (Done)	1	SW-2501099	330104	Brake Cam (S)	1	SW-330104
200188	Throttle Linkage Holder (Up)	1	SW-2501099	330105	Brake Cam (L)	1	SW-330105
200124	Pivot Ball Cup	4	SW-2501100	330106	Brake Cam	2	SW-330106
200133	Lower Arm Insert (1mm)	2	SW-2501100	330109	F/R Drive Shaft 93.5mm	4	SW-330109
200134	Lower Arm Insert (1mm)	6	SW-2501100	330110	CVD Join	6	SW-330110
200135	Rear Wheel Axle Insert (1mm)	4	SW-2501100	330111	Pin M2.5x14.8mm	6	SW-330111
200136	Rear Wheel Axle Insert (2mm)	2	SW-2501100	330112	CVD Axle	4	SW-330112
200127	Front Upper Arm (L)	1	SW-2501113	330113	Servo Saver Shaft	2	SW-330113
200128	Front Upper Arm (R)	1	SW-2501113	330114	Servo Saver Post	1	SW-330114
200023	Gear Box (F)	2	SW-2501114	330115	Steering Knuckle Pivot Ball Turnbuckle	4	SW-330115
200024	Gear Box (R)	2	SW-2501114	330116	14mm Knuckle Pivot Ball	4	SW-330116
200101	S-Way Bar Holder	2	SW-2501114	330117	Knuckle Pivot Ball Washer	2	SW-330117
200114	Brake Holder	2	SW-2501114	330118	Knuckle Pivot Ball Nut	4	SW-330118
200115	Brake Cam Insert	2	SW-2501114	330119	Front Upper Arm HingPin	2	SW-330119
200119	Rear Shock Tower Insert	1	SW-2501114	330120	Rear Hub Carriers Hing pin	2	SW-330120
200155	Rear Lower Arm Dusty Cover (L)	1	SW-2501115	330121	Wheel Hub	4	SW-330121
200156	Rear Lower Arm Dusty Cover (R)	1	SW-2501115	330122	Wheel Nut	4	SW-330122
200162	Fuel Sprinkle Guard	1	SW-2501115	330123	Rear Upper Sus. Arm Turnbuckles	2	SW-330123
200173	Transponder Mount	1	SW-2501115	330124	Pin M3.0x16.8mm	4	SW-330124
200192	Fuel Tank Ring-pull	1	SW-2501115	330125	Rear Upper Sus. Arm Ball Stud	4	SW-330125
200141	SWORKz High Done Force Wing	1	SW-2501116	330126	Steering Turnbuckle	2	SW-330126
200147	Wing Holder	2	SW-2501116	330127	Steering Linkage Ball Stud 7mm	4	SW-330127
200174	Steering Servo Mount	1	SW-2501117	330128	Shock Body (L)	2	SW-330128
200189	Battery Box Case	1	SW-2501117	330129	Shock Body (S)	2	SW-330129
200190	Receiver Box Cover	1	SW-2501117	330130	Shock Seal Cover	4	SW-330130
200191	Battery Box Cover	1	SW-2501117	330131	Shock Spring Adjust Nut	4	SW-330131
200151	Rear Wheel Dust Cover (L)	1	SW-2501118	330132	Shock Shaft (L)	2	SW-330132
200152	Front Wheel Dust Cover (R)	1	SW-2501118	330133	Shock Shaft (S)	2	SW-330133
200153	Front Wheel Dust Cover (L)	1	SW-2501118	330134	Shock Ball Stud	10	SW-330134
200154	Front Wheel Dust Cover (R)	1	SW-2501118	330135	Servo Saver Nut	1	SW-330135
200137	Rear Upper Arm Ball End (For Wheel Side)	2	SW-2501121	330136	Sway Bar Ball Stud	4	SW-330136
200138	Rear Upper Arm Ball End	2	SW-2501121	330137	Clutch Bell 13T	1	SW-330137
200139	Steering Ball End	2	SW-2501121	330138	Shock Cap Stud	4	SW-330138
200140	Steering Ball End (For Wheel Side)	2	SW-2501121	330139	Shock Cap	4	SW-330139
200148	Shock Cap Insert	4	SW-2501121	330140	Pipe Holder	1	SW-330140
200149	Shock Ball End	4	SW-2501121	330152	Aluminum Rear Chassis Brace	1	SW-330152
200150	Shock Spring Holder	4	SW-2501121	330153	Aluminum Front Chassis Brace	1	SW-330153
200158	Sway Bar Linkage	4	SW-2501121	330154	Radio Tray	1	SW-330154
200179	Steering Linkage Ball End	2	SW-2501121	330155	Steering Servo Turnbuckle (M3x30mm)	1	SW-330155
200185	Throttle Linkage Ball End	1	SW-2501121	330156	Adjuster Knob	4	SW-330156
200116	Settring Bellcrank Upper (R)	1	SW-2501122	330157	Brake Adjuster Knob	2	SW-330157
200117	Settring Bellcrank (R)	1	SW-2501122	330160	S-System Pinion Gear 13T	2	SW-330160
200118	Settring Bellcrank (L)	1	SW-2501122	330161	S-System Pinion Gear Holder	2	SW-330161
200172	Rear Chassis Brace Mount	1	SW-2501122	330162	S-System CVD draft shaft 82.5mm	1	SW-330162
200175	Steering Servo Horn (For Futaba)	1	SW-2501122	330163	S-System CVD draft shaft 111mm	1	SW-330163
200176	Steering Servo Horn (For S&K)	1	SW-2501122	330164	Crown Gear 43T	2	SW-330164
200177	Steering Servo Horn (For Hitec)	1	SW-2501122	330159	Center CVD Join	2	SW-330159
200178	Servo Mount	2	SW-2501122	400002	O-ring S5 4.8X1.5	6	SW-400002
200180	Throttle Servo Horn (For Futaba)	1	SW-2501122	400005	Shock Spring Adjust Nut O-Ring	4	SW-400005
200181	Throttle Servo Horn (For S&K)	1	SW-2501122	400006	Shock Seal O-Ring	8	SW-400006
200182	Throttle Servo Horn (For Hitec)	1	SW-2501122	410022	Shock Bladder	4	SW-410022
200183	Brake Servo Horn	1	SW-2501122	410023	Air Filter Adapter	1	SW-410023
200159	Side Guard (R)	1	SW-2501123	610002	Diff. Gasket (0.5T)	3	SW-610002
200160	Side Guard (L)	1	SW-2501123	610004	Air Filter Foam	1	SW-610004
200113	Center Diff. Mount (Lower)	2	SW-2501124	610005	Air Filter Outer Foam	1	SW-610004
200112	Center Diff. Mount (Upper)	2	SW-2501124	610009	Brake Caliper	4	SW-300016
200157	Fuel Tank Post	2	SW-2501125	400009	Shock Boot (L)	2	SW-400009

Parts No. List

Part No.	Part Name	Q'ty in Use	Item No.
400010	Shock Boot (S)	2	SW-400010
410024	Switch Cover	1	SW-410024
200193	Antenna Tube	1	SW-200193
420010	Antenna Cup	1	SW-420010
420011	Fuel Tube 300mm	2	SW-420011
250004	S350 BK1 Clean Body Sheet	1	SW-250004
510026	S350 BK1 Body Decal Sheet	1	SW-510026
510027	S350 BK1 Body Window Mask	1	SW-510027
115003	Tornado Clutch Spring	3	SW-115003
115004	Servo Saver Spring	1	SW-115004
115005	Rear Sway Ball 2.8mm	1	SW-115005
115006	Rear Sway Ball 2.6mm	1	SW-115006
115007	Rear Sway Ball 3.0mm	1	SW-115007
115008	Front Sway Ball 2.3mm	1	SW-115008
115009	Front Sway Ball 2.6mm	1	SW-115009
115010	Front Sway Ball 2.8mm	1	SW-115010
115011	Pipe Spring	1	SW-115011
115013	Shock Spring 1.6mm (S)	2	SW-115013
115014	Shock Spring 1.6mm (L)	2	SW-115014
115015	Brake Spring	2	SW-115015
115016	Throttle Rod 50mm	1	SW-115016
115017	Throttle Rod Spring	1	SW-115017
115018	Brake Rod 60mm	2	SW-115018
115019	Body Clip	2	SW-115019
115024	Shock Spring 1.5mm (L)	2	SW-115024
115025	Shock Spring 1.5mm (S)	2	SW-115025
116004	Ball Bearing 6x10x3mm	4	SW-116004
116006	Ball Bearing 8x16x5mm	14	SW-116006
116010	Ball Bearing 5x10x4mm	2	SW-116010
116012	Ball Bearing 15x21x4mm	4	SW-116012
117003	Flange Ball Bearing 3x6x2.5mm	2	SW-117003
101004	Washer 3.5X10X0.2mm	12	SW-101004
101010	M3 Countersunk Washer	4	SW-101010
101011	3mm Countersunk Washers (RD)	6	SW-101011
101011	M2.6x6xT0.6mm	4	SW-101011
103001	M3 Nut Lock	20	SW-103001
103003	Flange M3 Nut Lock	6	SW-103003
103004	M2.5mm Nut Lock	4	SW-103004
104001	M5x4mm Set Screw	6	SW-104001
104004	M3x3mm Set Screw	14	SW-104004
104005	M3x4mm Set Screw	4	SW-104005
104008	M4x4mm Set Screw	3	SW-104008
104007	M4x8mm Set Screw	4	SW-104007
105001	M3x8mm Cap Screw	1	SW-105001
105004	M2.6x6mm Cap Screw	8	SW-05004
105005	M3x12mm Cap Screw	6	SW-105005
105011	M3x23mm Cap Screw	2	SW-105011
105006	M3x28mm Cap Screw	4	SW-105006
106002	M3x10mm Hex Socket OH/TP Screw	7	SW-106002
106003	M3x16mm Hex Socket OH/TP Screw	2	SW-106003
106005	M3x15mm Hex Socket OH/TP Screw	9	SW-106005
106006	M3x20mm Hex Socket OH/TP Screw	5	SW-106006
106007	M3x12mm Hex Socket OH/TP Screw(HT)	6	SW-106007
106008	M3x12mm Hex Socket OH/TP Screw	8	SW-106008
106009	M3x25mm Hex Socket OH/TP Screw	4	SW-106009
106010	M3x6mm Hex Socket OH/TP Screw	37	SW-106010
108001	M3x12mm FH/ST HEX Screw	27	SW-108001
108003	M3x10mm FH/ST HEX Screw	28	SW-108003
108006	M3x8mm FH/ST HEX Screw	25	SW-108006
108007	M3x6mm FH/ST HEX Screw	4	SW-108007
108008	M3x35mm FH/ST HEX Screw	4	SW-108008
108009	M3x20mm FH/ST HEX Screw	4	SW-108009
108010	M4x10mm FH/ST HEX Screw	2	SW-108010
108011	M4x12mm FH/ST HEX Screw	4	SW-108011
108012	M4x16mm FH/ST HEX Screw	8	SW-108012
101012	M3x6xT0.6mm	3	SW-101012
105007	M4x8mm I-Head Screw	4	SW-105007
101013	3mm Spring Washer	4	SW-101013
101014	M3 Pivot Ball Bushing	1	SW-101014
108013	M4x8mm FH/ST HEX Screw	1	SW-108013
108014	M3x3mm FH/ST HEX Screw	4	SW-108014
101015	M5x8xT0.4mm	5	SW-101015
101016	M5x8xT0.8mm	1	SW-101016
101018	SHIM 8.0x10.0x0.1mm	6	SW-101018
101019	SHIM 6.0x10.0x0.2mm	4	SW-101019
101017	M6x2.7xT0.3mm	3	SW-101017

Spare Part List

Item No.	Part Name
SW-200022WH	SWORKz 1/8 UFO Competiton Wheel set
SW-210002	S350 Diff. Case Set
SW-210003	S350 Fuel Tank Set
SW-2501093	S350 Front Lower Arm Set (L&R)
SW-2501094	S350 Rear Lower Arm Set (L&R)
SW-2501095	S350 Rear Hub Carrier Set (L&R)
SW-2501096	S350 Full Arm Holder Set (7pc)
SW-2501097	S350 Wing Stay Set with Bumper
SW-2501098	S350 Front Steering Knuckle Set (L&R)
SW-2501099	S350 R/F Insert, Brake, Throttle Linkage Linkage Holder
SW-2501100	S350 Pivot Ball Cup, Caster Insert Set
SW-2501113	S350 Front Upper Arm Set (L&R)
SW-2501114	S350 Gear Box Set (F&R)
SW-2501115	S350 Rear Lower Arm Dusty Cover with Fuel Sprinkle Guard
SW-2501116	SWORKz High Done Force Wing Set (BK)(Fit S350)
SW-2501116A	SWORKz High Done Force Wing Set (BK)
SW-2501116AWH	SWORKz High Done Force Wing Set (WH)
SW-2501116AFY	SWORKz High Done Force Wing Set (FY)
SW-2501117	S350 Radio Box Set
SW-2501118	S350 Wheel Dusty Cover Set
SW-2501121	S350 Ball End Set with Shock Plastic Parts (2 Set)
SW-2501122	S350 Setting Bellcrank Set with Servo Horn Set
SW-2501123	S350 Side Guard Set (L&R)
SW-2501124	S350 Center Diff. Mount Set (2 Set)
SW-2501126	Ail Filter Set
SW-300016	Metal Brake Calipers Set
SW-300017	Brake Disc (2pc)
SW-320003	Diff. Bevel Gear Set
SW-330013	Bevel Gear Shaft
SW-330014	Front/Rear Diff. Outdrive
SW-330015	Pin M2.2x9.9mm
SW-330017	Center Diff. Outdrive
SW-330018	S350 46T SPUR GEAR
SW-330086	S350 Front Lower Suspension Plate
SW-330087	S350 Front Shock Tower (AI)
SW-330088	S350 Rear Lower Arm Holder
SW-330089	S350 Rear Shock Tower (AI)
SW-330090	Center Diff. Plate
SW-330091	Steering BellcrankPlate
SW-330092	Servo Saver Steering Plate
SW-330093	Steering Knuckle Plate Set(L&R)
SW-330095	Shock Seal Kit
SW-330097	Shock Piston 1.3mmx5 holes
SW-330099	S350 Main Chassis
SW-330100	Engine Mount Set
SW-330103	Front/Rear Lower Arm HingPin
SW-330104	Brake Cam Set
SW-330109	F/R Drive Shaft 93.5mm
SW-330110	CVD Join
SW-330112	CVD Axle
SW-330113	Servo Saver Shaft
SW-330114	Servo Saver Post
SW-330115	Steering Knuckle Pivot Ball Turnbuckle
SW-330116	14mm Knuckle Pivot Ball
SW-330117	Knuckle Pivot Ball Washer
SW-330118	Knuckle Pivot Ball Nut
SW-330119	Front Upper Arm HingPin
SW-330120	Rear Hub Carriers Hing pin
SW-330121	Wheel Hub
SW-330122	Wheel Nut
SW-330123	Rear Upper Sus. Arm Turnbuckles
SW-330124	Pin M3.0x16.8mm
SW-330125	Rear Upper Sus. Arm Ball Stud
SW-330126	Steering Turnbuckle
SW-330127	Steering Linkage Ball Stud 7mm
SW-330128	Shock Body (L)
SW-330129	Shock Body (S)
SW-330130	Shock Seal Cover
SW-330131	Shock Spring Adjust Nut
SW-330132	Shock Shaft (L)
SW-330133	Shock Shaft (S)
SW-330134	Shock Ball Stud 6mmxL6.7
SW-330136	Sway Bar Ball Stud
SW-330137	Clutch Bell 13T

Spare Part List

Item No.	Part Name	Item No.	Part Name
SW-330138	Shock Cap Stud	SW-108008	M3x35mm FH/ST HEX Screw
SW-330139	Shock Cap	SW-108009	M3x20mm FH/ST HEX Screw
SW-330140	Pipe Holder	SW-108010	M4x10mm FH/ST HEX Screw
SW-330152	Aluminum Rear Chassis Brace	SW-108011	M4x12mm FH/ST HEX Screw
SW-330153	Aluminum Front Chassis Brace	SW-108012	M4x16mm FH/ST HEX Screw
SW-330154	Caron Fiber Radio Tray	SW-101012	M3x6xT0.6mm
SW-330155	Steering Servo Turnbuckle (M3x30mm)	SW-105007	M4x8mm I-Head Screw
SW-330160	S-System Pinion Gear 13T	SW-101013	3mm Spring Washer
SW-330161	S-System Pinion Gear Holder	SW-101014	M3 Pivot Ball Bushing
SW-330162	S-System front center draft shaft 82.5mm	SW-108013	M4x8mm FH/ST HEX Screw
SW-330163	S-System rear center draft shaft 111mm	SW-108014	M3x3mm FH/ST HEX Screw
SW-330164	Crown Gear 43T	SW-101015	M5x8xT0.4mm
SW-330159	Center CVD Join	SW-101016	M5x8xT0.8mm
SW-400002	O-ring S5 4.8X1.5	SW-101018	SHIM 13x16x0.2mm
SW-410022	Shock Bladder (8pc)	SW-101019	SHIM 6.0x10.0x0.2mm
SW-410023	Air Filter Adapter	SW-101017	M6x2.7xT0.3mm
SW-610002	Diff. Gasket (0.5T)(6pc)		
SW-610004	Air Filter Foam Set (6 SETS)		
SW-200193	Antenna Tube		
SW-400009	Shock Boot (L)		
SW-400010	Shock Boot (S)		
SW-410024	Switch Cover		
SW-420010	Antenna Cup		
SW-420011	Fuel Tube 300mm (Smoke)		
SW-250004	S350 BK1 Clean Body Sheel		
SW-510026	S350 BK1 Body Decal Sheet		
SW-210015	Rear Sway Bar Set(2.6/2.8/3.0)		
SW-115005	Rear Sway Bar 2.8mm		
SW-115006	Rear Sway Bar 2.6mm		
SW-115007	Rear Sway Bar 3.0mm		
SW-210014	Front Sway Bar Set		
SW-115008	Front Sway Bar 2.3mm		
SW-115009	Front Sway Bar 2.6mm		
SW-115010	Front Sway Bar 2.8mm		
SW-210016	Shock Spring Set		
SW-115013	Shock Spring 1.6mm (S)		
SW-115014	Shock Spring 1.6mm (L)		
SW-115024	Shock Spring 1.5mm (L)		
SW-115025	Shock Spring 1.5mm (S)		
SW-210018	Throttl Linkage Set		
SW-116004	Ball Bearing 6x10x3mm (4pc)		
SW-116006	Ball Bearing 8x16x5mm (10pc)		
SW-116010	Ball Bearing 5x10x4mm(4pc)		
SW-116012	Ball Bearing 15x21x4mm(8pc)		
SW-117003	Flange Ball Bearing 3x6x2.5mm(2pc)		
SW-101004	Washer 3.5X10X0.2mm		
SW-101010	M3 Countersunk Washer (RD)		
SW-101020	3mm Countersunk Washers (RD)		
SW-101011	M2.6x6xT0.6mm		
SW-103001	M3 Nut Lock		
SW-103003	Flange M3 Nut Lock(RD)		
SW-103004	M2.5mm Nut Lock		
SW-104001	M5x4mm Set Screw		
SW-104004	M3x3mm Set Screw		
SW-104005	M3x4mm Set Screw		
SW-104008	M4x4mm Set Screw		
SW-104007	M4x8mm Set Screw		
SW-105001	M3x8mm Cap Screw		
SW-105004	M2.6x6mm Cap Screw		
SW-105005	M3x12mm Cap Screw		
SW-105011	M3x23mm Cap Screw		
SW-105006	M3x28mm Cap Screw		
SW-106002	M3x10mm Hex Socket OH/TP Screw		
SW-106003	M3x16mm Hex Socket OH/TP Screw		
SW-106005	M3x15mm Hex Socket OH/TP Screw		
SW-106006	M3x20mm Hex Socket OH/TP Screw		
SW-106007	M3x12mm Hex Socket OH/TP Screw(HT)		
SW-106008	M3x12mm Hex Socket OH/TP Screw		
SW-106009	M3x25mm Hex Socket OH/TP Screw		
SW-106010	M3x6mm Hex Socket OH/TP Screw		
SW-108001	M3x12mm FH/ST HEX Screw		
SW-108003	M3x10mm FH/ST HEX Screw		
SW-108006	M3x8mm FH/ST HEX Screw		
SW-108007	M3x6mm FH/ST HEX Screw		



Speedmaster Hobby CO., LTD.

TEL:+886-3-538-7638

FAX:+886-3-538-7328

1F., No.18, Aly. 32, Ln. 251, Niupu E. Rd., Xiangshan Dist.,
Hsinchu City 300, Taiwan (R.O.C.)