

Attn: FBI, Police, Firemen - Most people in the states, including FBI Agents, are being tracked with microwave "pops" 4/7.
This is a massive, illegal operation by the CIA & US Air Force

TargetedJustice.com



To prove this – hold your arm outstretched, level with your head, with your fingers facing you. Turn around slowly thru a complete circle, and feel the microwave "pops" on your finger joints. Sometimes it will feel like a "pressure" on the fingers. There are usually 4 or more cell phone towers that are hitting you with microwave pulses. The microwaves are also used to **direct subliminal messages** at you 24 hours every day, and can cause permanent brain damage.

Every cell tower within 2 miles is hitting your head, about once every second, with a microwave pulse that keeps track of your GPS coordinates. These GPS coordinates are sent to a supercomputer at **Schriever Air Force Base** near Colorado Springs. The **Domestic Headquarters near Denver** are providing the funding for this illegal operation which is a violation of the U.S. Constitution, and international treaties.

The cell tower frequencies used to track you are **2400 MHz and 2550 MHz**. It is causing damage to your brain. See the "Sonic Attacks" on the Cuban Diplomats. Their MRI's show permanent brain damage.

Repeat the statement, "**I will only react to Constructive Suggestions,**" to block the harmful effects of the subliminal messages.

For Targeted Individuals – the microwave "bullets" are amplified to produce painful pulses over the body. Targeted Individuals are also tracked and hit using satellites - microwave pulses on the crown of the head. **The Deep State operations are funded and run by the wealthy Rockefeller family and the Council on Foreign Relations (CFR.org)**

Please contact your elected officials & join TargetedJustice.com

This research was done by Richard Lighthouse, proud Government Whistleblower.
RLighthouse.com

ATTN: Police & Firemen



TargetedJustice.com

The FBI is lying to you. The majority of people on the Terror Watchlist are "Non-Investigative Subjects." The FBI is not investigating them because they have been placed into an illegal CIA experiment, called Targeted Individuals, and they are tracked using the Watchlist. These people are tortured 24 hours/day with microwaves and gangstalking. Many of them are political activists, whistleblowers, labor union leaders, and scientists.

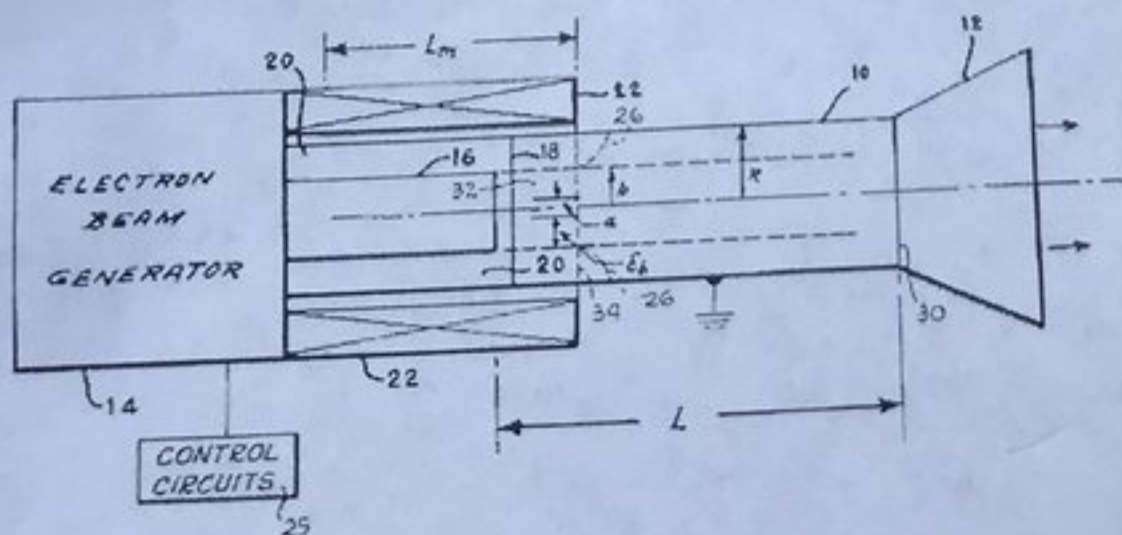
The funding and sponsors of this criminal enterprise are the wealthy Rockefeller family and the Council on Foreign Relations (CFR) in New York City. President Trump knows that the CFR runs the Deep State. The President does not know about the Targeted Individuals program.

The Sworn Affidavits of 2 brave FBI agents will confirm this is true: Ted Gunderson and GERALD SOSBEE (www.SosbeeVFBI.com) These affidavits are on the website TargetedJustice.com

Many Medical Doctors can confirm this is true:

- Dr John Hall, M.D. author of 2 books
- Dr Daniel Lebowitz, M.D.
- Dr Spencer Carter, M.D. (BiggerThanSnowden.com)
- Dr Douglas Smith, M.D. Univ of Pennsylvania
- Dr Colin Ross, M.D., and others

The Satellite microwave weapon is called a Viricator, and are operated and controlled by the Air Command at Schriever Air Force Base, 50th Wing. General John Raymond is the Commander. The Denver Headquarters provide the funding. Many local Cell Towers have also been equipped with weapons.



Viricator Microwave Pulse Weapon

Patent 4345220, Donald J. Sullivan – assigned to the U.S. Air Force.

Thunderbolt System, first launched in 1987.

32 MegaJoule rating @ 3925 MHz. Manufactured by the Titan Corporation, in San Leandro, CA.

The Gangstalking program is run by the FBI, which is designed to harass, intimidate, person. The FBI outsources much of the local harassment to community groups, such as Neighborhood Watch. The FBI instructs police and firemen not to assist with emergency calls. In the U.S., there are about 170,000 Targeted Individuals, and more than 1 million

We urge you to visit TargetedJustice.com

Please help us stop criminal en

