

Electronic Packaging Solutions

**Electronic Cabinets Product Catalog
A Cabinet For All Applications**



2010 Edition



Who We Are

The Total Packaging Solution



Schroff® is synonymous with the finest electronic packaging products. From 19" equipment cabinets and subracks to complete enclosure integration, Schroff products offer the highest level of quality and aesthetics in the market today. Recognized across the globe, Schroff's enclosure systems meet all national and international standards for electronic packaging. In fact, the original company pioneered the development of standardized packaging based on 19" equipment.

Today, Pentair Technical Products markets the Calmark brand of products along with Birtcher® globally and Schroff® in the Americas, while complimenting these standard product brands with its own customer specific enclosure capabilities.

Pentair Technical Products, a subsidiary of Pentair, Inc., is a world leading provider of standard and custom electronic enclosure solutions.

Pentair, Inc. (PNR-NYSE) is a highly successful, diversified corporation consisting of two core business groups: the Water Technologies Group (including Fleck and Myers), and the Technical Products Group (including Schroff, Hoffman Enclosures, Taunus, McLean and Pentair Technical Products).

The Technical Products Group brands are market specific:

Electronics, Medical, Security and Telecommunications:



Electrical and Industrial:



With manufacturing locations in the Americas, Asia, and Europe, Pentair Technical Products uses seamless communications platforms throughout its global operation to design, manufacture, assemble, and test products, and manage logistics throughout the supply chain.

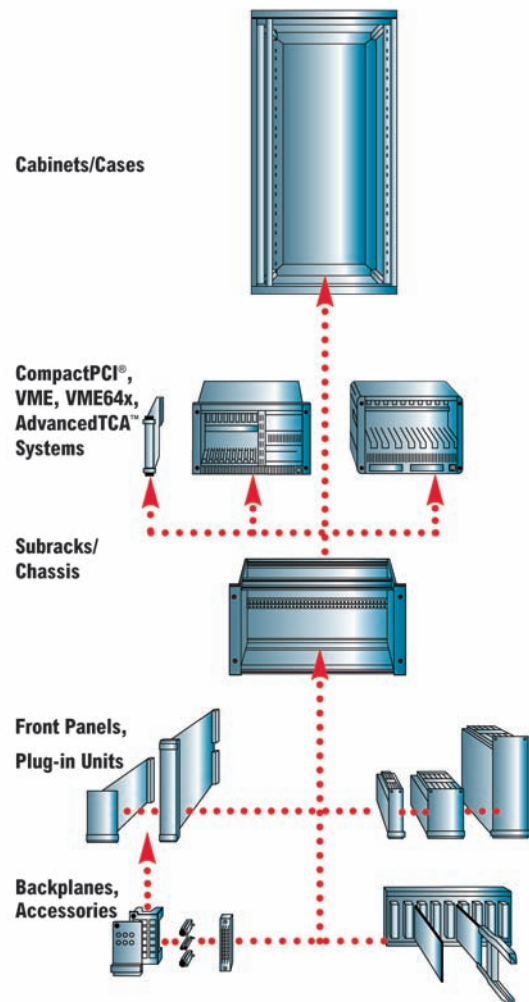
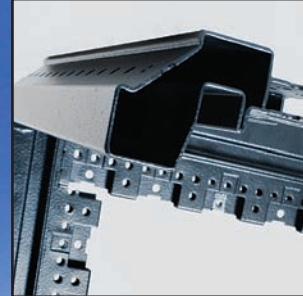


Table of Contents

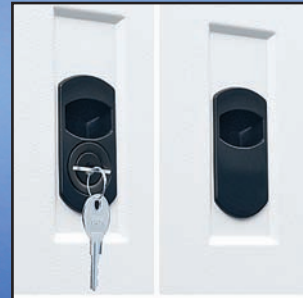
Varistar Electronics Cabinets	4	Eurorack Electronics Cabinets	56
Pre-Configured Cabinets _____	5	Eurorack Cabinet Components _____	60
Varistar Cabinet Components _____	10		
Configuration Guide _____	21	Oasis Outdoor Enclosures	74
Frames, Feet & Casters _____	21	Pole Mount Enclosures _____	75
Doors & Panels _____	22	Mid-Size Enclosures _____	77
Top Covers & Bases _____	27	Fiber Optic Cabinet Packages _____	79
Internal Mounting Parts _____	32	Multi-Bay Enclosures _____	81
Shelves & Cable Accessories _____	34	OASIS Accessories _____	83
EMC & IP 55 Versions _____	38		
Midas Networking Cabinets	46	Cabinet Accessories	86
Configuration Guide _____	48	Shelves & Drawers _____	87
Midas Accessories _____	49	Hardware & Panels _____	92
		Cable Managers _____	94
Tecnorack Electronics Cabinets	52	Power Distribution _____	96
Tecnorack Capabilities _____	53	Fans & Cooling _____	97
Applications Examples _____	55		
		New Products	108
		Varistar-CL Co-Location Cabinets _____	109
		Varistar Seismic Cabinet _____	110
		Titan 901-D Cabinet _____	111



Varistar Cabinet Platform



Robust Welded Frame



Quick Release Fastener



Adjustable Feet With Combined Casters



Depth Members

Cabinets - Varistar - Electronics

Varistar Deco

- Open at front (no door)
- 19" mounting integrated into decoration frame
- Rear door with single point locking, side panels with quick release fastener
- Static load-carrying capacity 1800 lbs

Delivery includes (assembled)

Item	Qty	Description
1	1	Welded frame, St profile, zinc-plated, powder-coated, RAL 7021
2	4	Adjustable foot, assembled
3	1	Raised top cover, St, RAL 7021, with 10 mm air gap all around
4	1	Decorative frame, Al, integrated 19" mounting at the front, RAL 70355
5	2	Adapter bracket, St, 2 mm, RAL 7035, front, for assembling shelves and slide rails
6	1	Rear door, St, 180° hinge, single point locking and key with safety lock, RAL 7035
7	2	Side panel, St, with quick-release fastener, RAL 7035
8	1	GND/earthing kit, supplied loose

Order Information

Height U	Height H mm	Width W mm	Depth D mm	Order no.
38	1800	600	600	17130-010
38	1800	600	800	17130-011
42	2000	600	600	17130-012
42	2000	600	800	17130-013

Casters Load-carrying capacity 900 lbs, 4 pieces, 2 pieces with jacking foot **23130-077**

Casters with integrated adjustable feet load-carrying capacity 900 lbs, 4 pieces **23130-078**

Lever handle for single point locking With push button, 1 piece **23130-067**

DIN profile half cylinder, common locking for lever handle (1 key fits all locks) incl. 2 keys **25127-995**

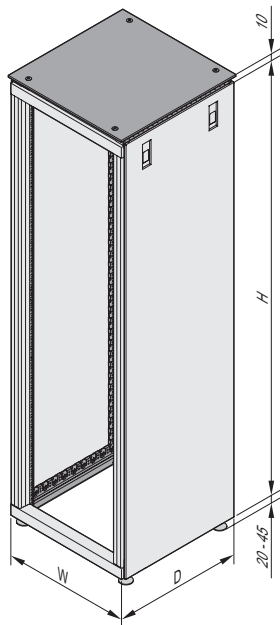
Lifting Eye for raised top cover 4 pieces **23130-085**

Note

- Lever handle can be added to rear door
- More dimensions and versions available
- Please order base plate separately
- Please order base/plinth separately
- For assembly of shelves and slide rails another pair of panel/slide mounts is necessary



01004001



01004151



For further information www.schroff.us/oneclick
oneClick code = Order no.

Cabinets - Electronics

Varistar

- With glass front door
- Doors with single point locking, side panels with quick release fastener
- Type of protection IP 20
- Static load-carrying capacity 1800 lbs

Delivery includes (assembled)

Item	Qty	Description
1	1	Welded frame, St profile, zinc-plated, powder-coated, RAL 7021
2	4	Adjustable foot, assembled
3	1	Raised top cover, St, RAL 7021, with 10 mm air gap all around
4	1	Front door, plexiglass, 6 mm, 180° hinge, RAL 7035, single point locking, key lock cover
5	1	Rear door, St, 180° hinge, RAL 7035, single point locking, key with safety lock
6	2	Side panel, St, quick-release fastener with safety lock, RAL 7035
7	2	19" panel/slide mount with EIA cut-outs, St
8	1	GND/earthing kit, enclosed loose

Order Information

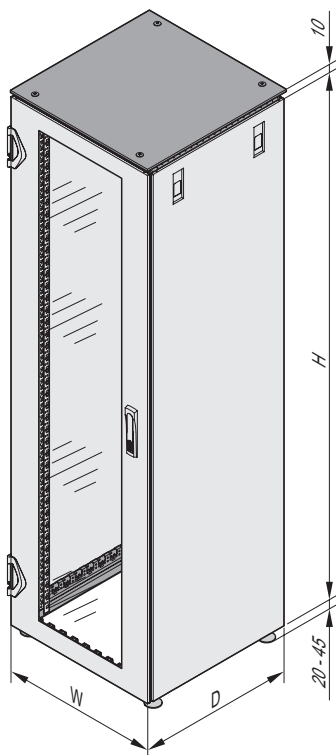
Height U	Height H mm	Width W mm	Depth D mm	Order no.
38	1800	600	600	17130-014
38	1800	600	800	17130-015
42	2000	600	600	17130-016
42	2000	600	800	17130-017
Casters Load-carrying capacity 900 lbs, 4 pieces, 2 pieces with jacking foot				23130-077
Casters with integrated adjustable feet load-carrying capacity 900 lbs, 4 pieces				23130-078
Lever handle for single point locking with push button, 1 piece				23130-067
DIN profile half cylinder, common locking for lever handle (1 key fits all locks) incl. 2 keys				25127-995
Lifting eye for raised top cover 4 pieces				23130-085

Note

- Lever handle can be added to rear door
- For more dimensions and versions
- Please order base plate separately
- Please order base/plinth separately
- For assembly of shelves and slide rails another pair of panel/slide mounts is necessary



01004002



01004152



For further information www.schroff.us/oneclick
oneClick code = Order no.

Cabinets - Electronics

Varistar IP 55

- With glass or steel front door
- Doors with 3 point locking and screw-fixed side panels
- Type of protection IP 55
- Static load-carrying capacity 1800 lbs

Delivery includes (assembled)

Item	Qty	Description
1	1	Welded frame, St profile, zinc-plated, powder-coated, RAL 7021, with all-round rubber seals
2	4	Adjustable foot, assembled
3	1	Flat top cover, St, RAL 7021
4	1	Front door, St or plexiglass, RAL 7035, 180° hinge, 3 point locking, lever handle
5	1	Rear panel, screw fixed, St, RAL 7035
6	2	Side panel, screw fixed, St, RAL 7035
7	1	Base plate, multi-piece, with cover plate, St, RAL 7021, with gasket
8	2	19" panel/slide mount with EIA cut-outs, AlZn, assembled at front, depth-adjustable in 25 mm increments
9	1	GND/earthing kit, enclosed loose

Order Information

Height U	Height H mm	Width W mm	Depth D mm	Description	Order no.
42	2000	600	600	With glazed door	17130-018
42	2000	600	600	With steel door	17130-019
Casters Load-carrying capacity 900 lbs, 4 pieces, 2 pieces with jacking foot					23130-077
Casters with integrated adjustable feet load-carrying capacity 900 lbs, 4 pieces					23130-078
DIN profile half cylinder, common locking for lever handle (1 key fits all locks) incl. 2 keys					25127-995
Lifting eye for top cover 4 pieces					23130-072

Note

- Please order base/plinth separately
- For assembly of shelves and slide rails another pair of panel/slide mounts is necessary



01005006



01005014



For further information www.schroff.us/oneclick
oneClick code = Order no.

Cabinets - Varistar EMC

Varistar EMC

- Shielding 60 dB at 1 GHz, 40 dB at 3 GHz
- Base plate versions
 - without cable entry
 - with cable entry
- Doors with 4 point locking and screw-fixed side panels
- Static load-carrying capacity 1800 lbs

Delivery includes (assembled)

Item	Qty	Description
1	1	Welded frame, St profile, RAL 7021, with surrounding textile gasket
2	4	Adjustable foot, assembled
3	1	Flat top cover, St, inner surface AlZn, outside RAL 7021
4	1	Front door, St, inner surface AlZn, outside RAL 7035, 180° hinge, 4 point locking, lever handle
5	1	Rear door, St, inner surface AlZn, outside RAL 7035, 180° hinge, 4 point locking, lever handle
6	2	Side panel, screw-fixed, St, inner surface AlZn, outside RAL 7035
7a	1	Base plate, one-piece, St, 1.5 mm, finish AlZn
7b	1	Base plate with cable ducting, St, 1.5 mm, finish Al-Zn; rear cable entry with textile gasket, opening 359 mm x 60 mm
8	2	19" panel/slide mount with EIA cut-outs, AlZn, assembled at front, depth-adjustable in 25 mm increments
9	1	GND/earthing kit, enclosed loose

Order Information

Height U	Height H mm	Width W mm	Depth D mm	Description	Order no.
42	2000	600	600	Base plate without cable ducting	17130-020
42	2000	600	600	Base plate with cable ducting	17130-021
Casters Load-carrying capacity 900 lbs, 4 pieces, 2 pieces with jacking foot					23130-077
Casters with integrated adjustable feet load-carrying capacity 900 lbs, 4 pieces					23130-078
DIN profile half cylinder, common locking for lever handle (1 key fits all locks) incl. 2 keys					25127-995
Lifting eye for top cover 4 pieces					23130-072

Note

- Please order base/plinth separately
- For assembly of shelves and slide rails another pair of panel/slide mounts is necessary



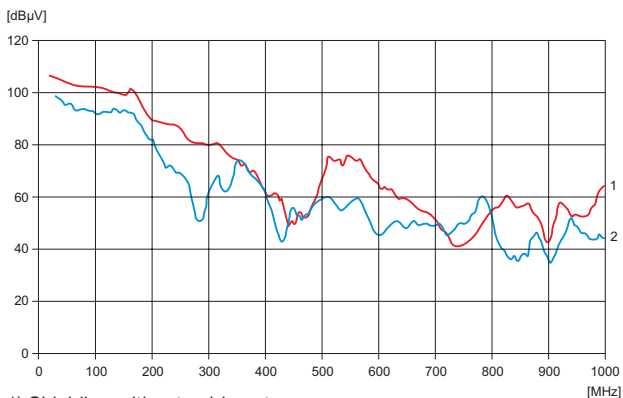
For further information www.schroff.us/oneclick
oneClick code = Order no.



01005017



01005015



- 1) Shielding without cable entry
- 2) Shielding with cable entry

01007060

Cabinets - Varistar EMC

Varistar EMC with fan top cover



01007018

- Shielding 50 dB at 1 GHz
- Fan top cover with 3 fans (up to 6 fans can be mounted)
- Perforated base plate with cable entry
- Doors with 4 point locking and screw-fixed side panels
- Static load-carrying capacity 1800 lbs

Delivery includes (assembled)

Item	Qty	Description
1	1	Welded frame, St profile, RAL 7021, with textile gasket all around
2	4	Adjustable foot, assembled
3	1	Raised top cover, St, 1.5 mm, RAL 7021; air barrier with 3 axial fans, 115V AC, incl. cabling and GND/earthing; assembly space for 3 further fans
4	1	Front door, St, inner surface AlZn, outside RAL7035, 180° hinge, 4 point locking, lever handle
5	1	Rear door, St, inner surface AlZn, outside RAL7035, 180° hinge, 4 point locking, lever handle
6	2	Side panel, screw-fixed, St, inner surface AlZn, outside RAL 7035
7	1	Base plate with cable entry, perforated, St, 1.5 mm, finish AlZn; cable entry to rear with conductive seal, 359 mm x 60 mm opening
8	2	19" panel/slide mount with EIA cut-outs, AlZn, assembled at front, depth-adjustable in 25 mm increments
9	1	GND/earthing kit, enclosed loose



01007004

Order Information

Height U	Height H mm	Width W mm	Depth D mm	Order no.
42	2000	600	600	17130-022

Casters Load-carrying capacity 900 lbs, 4 pieces, 2 pieces with jacking foot **23130-077**

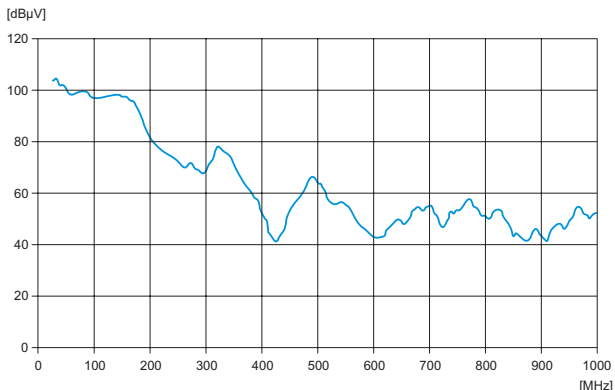
DIN profile half cylinder, common locking for lever handle (1 key fits all locks) incl. 2 keys **25127-995**

Lifting eye for fan top 4 pieces **23130-085**

Note

- Please order base/plinth separately
- For assembly of shelves and slide rails another pair of panel/slide mounts is necessary

Fan top cover



Shielding

01007057



For further information www.schroff.us/oneclick
oneClick code = Order no.

Cabinets - Varistar - Electronics

Lever for single point locking



01005016

- For installation instead of key lock insert
- To open press push-button
- DIN semi-profile cylinder retrofittable

Delivery includes

Item	Qty	Description
1	1	Lever handle for single point locking
2	1	Assembly kit

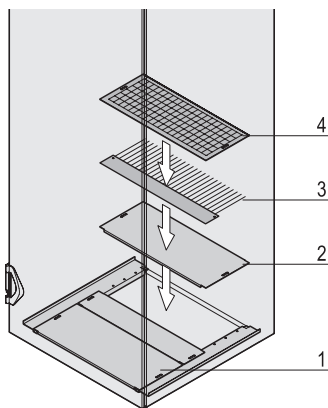
Order Information

Description	Order no.
Lever handle for single point locking	23130-067
DIN profile half cylinder, common locking for lever handle (1 key fits all locks) incl. 2 keys	25127-995



For further information www.schroff.us/oneclick
oneClick code = Order no.

Base plate, multi piece



01005016

- The multi-part base plate is open at the rear
- The opening may be completed
 - with a filter mat
 - with a brush strip for the cable entry
 - with a cover plate

Delivery includes (kit)

Item	Qty	Description
1	1	Multi-part base plate, St, 1.5 mm, RAL 7021
5	1	Assembly kit

Order Information

Width mm	Depth mm	Order no.
600	600	23130-001
600	800	23130-002
Item 2 Cover plate for 600 mm wide base plate, 200 mm deep, incl. assembly kit, 1 piece		23130-076
Item 3 Brush strip for 600 mm width base plate, 200 mm deep, incl. assembly kit, 1 piece		23130-074
Item 4 Filter white, class M1 in accordance with EN779-G3, or 600 mm wide base plate, 200 mm deep, incl. assembly kit, 1 piece		23130-075

Note

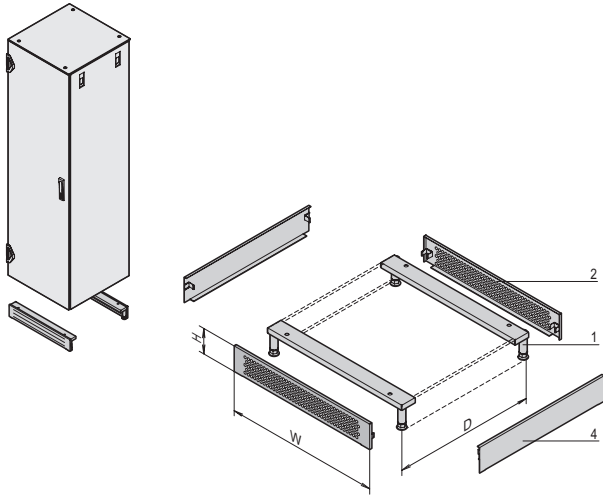
- For complete covering of a 800 mm wide cabinet please order two brush strips in adequate depth



For further information www.schroff.us/oneclick
oneClick code = Order no.

Cabinets - Varistar - Electronics

Varistar Base/plinth with ventilation



01004110 01004053

- Static load-carrying capacity 2000 lbs
- Removable covers allow cable entry from all sides
- Cannot be used in conjunction with casters

Delivery includes (kit)

Item	Qty	Description
1	2	Support with feet, St, 3 mm
2	2	Perforated panel, St, 1.5 mm, RAL 7021
2	1	Assembly kit

Order Information

For Cabinet width W mm	Order no.
600	23130-187
Item 4 Side trim height 100 mm, depth 600 mm, 2 pieces	23130-169
Item 4 Side trim height 100 mm, depth 800 mm, 2 pieces	23130-170

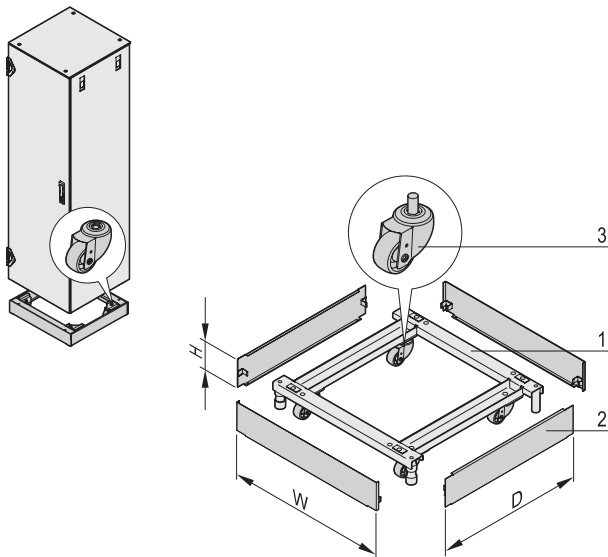
Note

- Please order side trims separately
- Other sizes available



For further information www.schroff.us/oneclick
oneClick code = Order no.

Base plinth, mobile



0100411101006095

- Load-carrying capacity on casters 900 lbs, on adjustable feet 2000 lbs
- Plinth height H = 100 mm
- Adjustable: min. 126 mm - max. 134 mm

Delivery includes (kit)

Item	Qty	Description
1	1	Frame, St, 3 mm, RAL 7021, with adjustable feet
2	4	Trim, St, 1.5 mm, RAL 7021
3	4	Caster
5	1	Assembly kit

Order Information

For Cabinet width mm	For cabinet depth mm	Order no.
600	600	23130-208
600	800	23130-209

Note

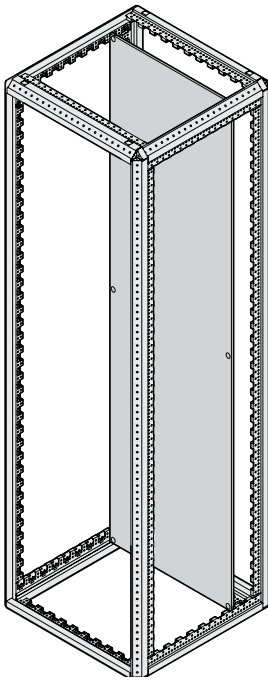
- Other sizes available



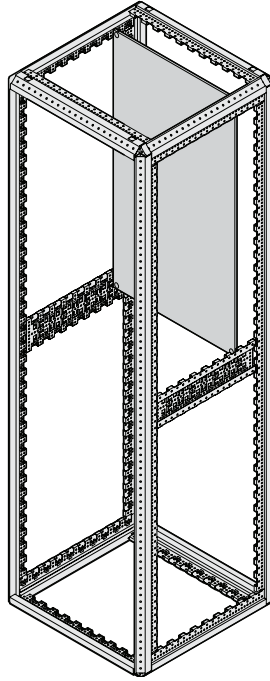
For further information www.schroff.us/oneclick
oneClick code = Order no.

Cabinets - Varistar - Electronics

Mounting plate



Full height



For partial-height mounting

0100805201008053

- For mounting electrical components and sub-assemblies incl. cabling
- Mounting pitch 25 mm in depth and 50 mm in height for partial-height mounting
- Depth members are required for partial-height mounting
- Static load
 - 600 lbs at full height, mounted to rear
 - 900 lbs at full height, mounted to rear, with additional reinforcing brackets

Delivery includes

Item	Qty	Description
1	1	Mounting plate, St, 3 mm, zinc-plated
2	1	Assembly kit

Order Information

For Cabinet height mm	Width mm	Order no.
1200 for partial-height mounting	600	23130-413
1800	600	23130-405
2000	600	23130-407
Strengthening bracket for mounting plate 2 pieces		23130-418
Depth member St, 2 mm, for cabinet depth 600 mm, 2 pieces		23130-081
Depth member St, 2 mm, for cabinet depth 800 mm, 2 pieces		23130-082



For further information www.schroff.us/oneclick
oneClick code = Order no.

Cabinets - Varistar - Electronics

19" panel/side mount with universal pitch (EIA)

- Assembly in 600 mm wide cabinets directly on the frame
- Depth-adjustable in 25 mm increments
- In accordance with IEC 60297-1 (DIN 41 494, part 1)

Delivery includes

Item	Qty	Description
1	2	19" panel/slide mount, St, 2 mm, finish Al-Zn, RAL 7021
2	1	Assembly kit, incl. GND/earthing

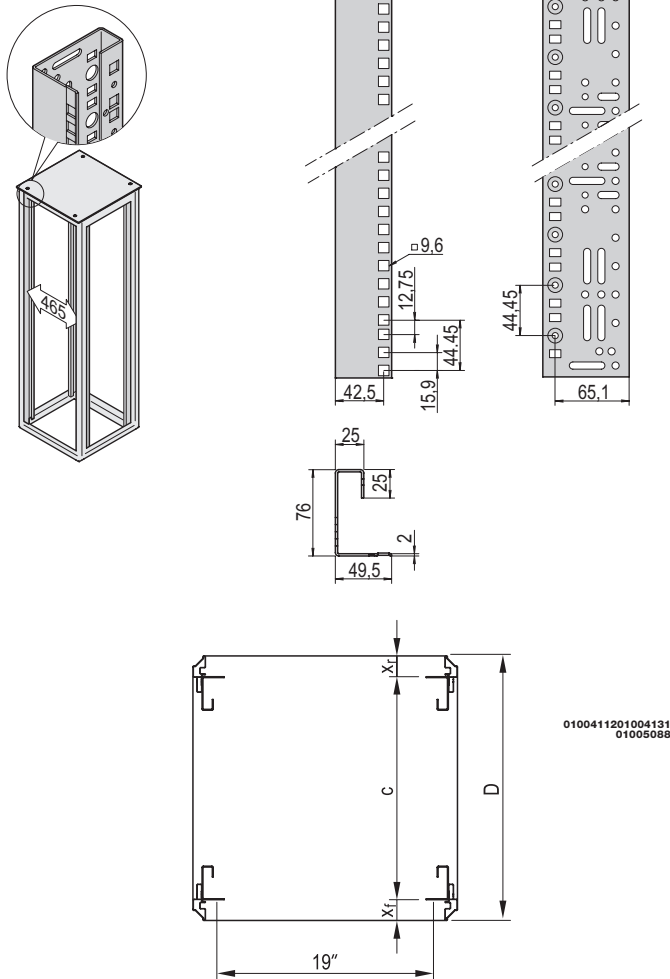
Order Information

For Cabinet height mm	Usable height U	Length mm	AlZn	RAL 7021
			Order no.	Order no.
Partial-height mounting	8	395	23130-037	23130-017
	12	545	23130-038	23130-018
	16	745	23130-039	23130-019
	20	895	23130-040	23130-020
	24	1095	23130-031	23130-011
	29	1295	23130-032	23130-012
38	1495	23130-033	23130-013	
1800	38	1695	23130-034	23130-014
2000	42	1895	23130-035	23130-015

Dimensions for 19" panel mounts, Paper, white, serial numbered from 1 ... 47 U, PU 4 pieces **25127-997**

Note

- For 19" partial-height mounting depth members are necessary



19" assembly kit, M6

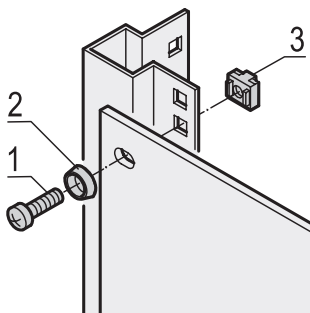
- For assembly of front panels, distribution fields and other components

Delivery includes

Item	Description
1	Panhead screw, M6 x 16, St, zinc-plated
2	Plastic washer, black
3	Cage nut, M6, St, zinc-plated

Order Information

Description	Qty/PU	Order no.
19" assembly kit (screw, washer, nut)	100	21101-810
19" assembly kit (screw, washer, nut)	50	21101-809



sc128



For further information www.schroff.us/oneclick
oneClick code = Order no.

Cabinets - Varistar Electronics

Slide rails

- For assembly at 19" panel/slide mounts
- Assembly in 1 U increments (snap-in, bolt-on)
- Wide support surface (48 mm)
- 2 versions
 - Static load-carrying capacity 55 lbs per pair
 - Static load-carrying capacity 220 lbs per pair

Delivery includes

Item	Qty	Description
1	See order information	Slide rail, Al-Zn, 1.5 mm (load-carrying capacity 25 kg), or 2.5 mm (load-carrying capacity 100 kg), zinc-plated
2	1	Assembly kit incl. GND/earthing

Order Information

Load carrying capacity 55 lbs

For cabinet depth	X_f	Width W	Length	Qty/PU	Order no.
D			L		
mm	mm	mm	mm		
600	50	500	456	2	23130-096
600	50	500	456	10	23130-101
800	50	700	656	2	23130-097
800	50	700	656	10	23130-102

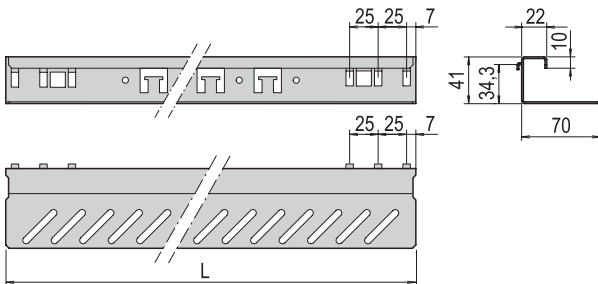
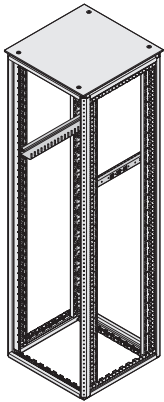
Order Information

Load carrying capacity 220 lbs

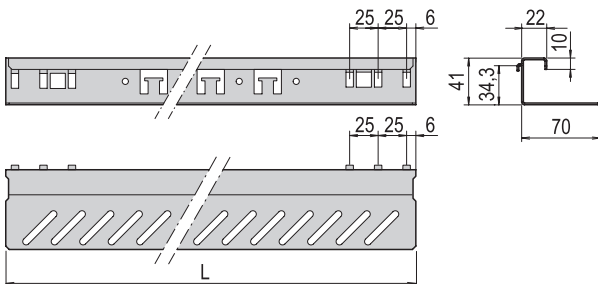
For cabinet depth	X_f	Width W	Length	Qty/PU	Order no.
D			L		
mm	mm	mm	mm		
600	50	500	456	2	23130-118
600	50	500	456	10	23130-123
800	50	700	656	2	23130-119
800	50	700	656	10	23130-124

Note

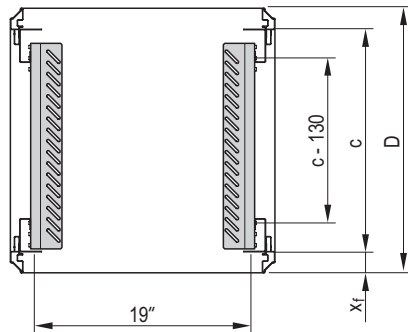
Other sizes available



Static load-carrying capacity 55 lbs



Static load-carrying capacity 220 lbs



c = pitch of the 19" panel/slide mounts
 x_f = standard dimension D = cabinet depth

01004130



For further information www.schroff.us/oneclick
 oneClick code = Order no.

Cabinets - Varistar - Electronics

19" fixed shelf, 165 lbs

- Static load-carrying capacity (165 lbs with reinforcement rail)
- Mounting height 1 U, for mounting on four panel/slide mounts
- With hammer head perforation to fix cable ties

Delivery includes

Item	Qty	Description
1	1	Perforated shelf, St, 1.5 mm (color see Order Information)
2	1	Assembly kit incl. GND/earthing

01004066

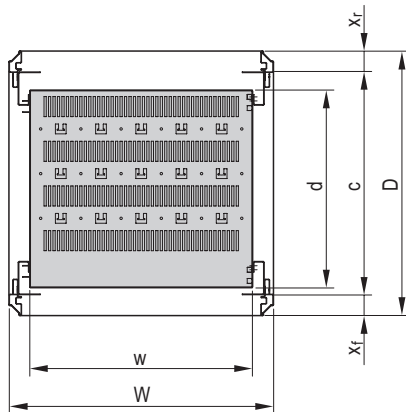
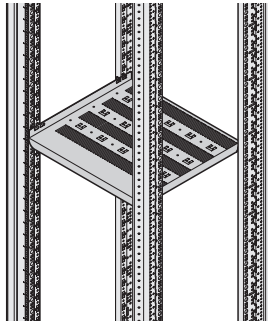
Order Information

For cabinet depth	Usable Surface w x d	X _f	C	RAL 7021
mm	mm	mm	mm	Order no.
600	495 x 442	50	500	21130-303
600	495 x 642	50	700	21130-305
Reinforcement rail for stationary 19" shelf 1 piece				23130-310

Note

- Cable management with cable ties
- Other sizes available

01004067



c = max. pitch of the 19" slide mounts
 x_f, x_r = standard assembly pitch

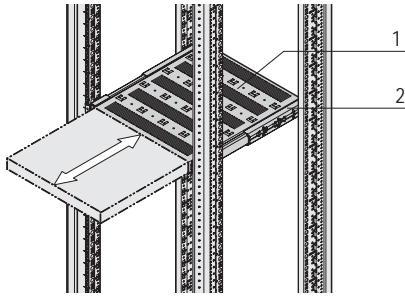


For further information www.schroff.us/oneclick
 oneClick code = Order no.

Cabinets - Varistar - Electronics

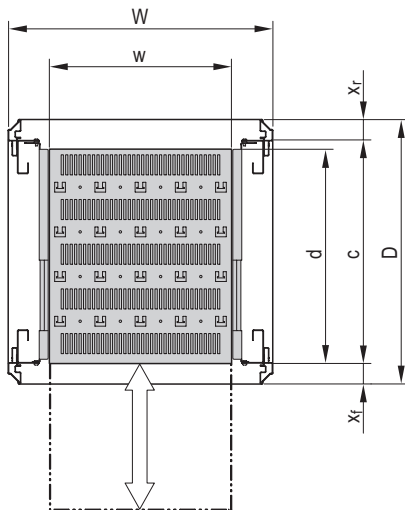
19" telescopic shelf, 65 lbs

- Static load-carrying capacity at full extension 65 lbs
- Mounting height 1 U, for mounting on four 19" panel/slide mounts Incl. telescopic slides
- Hammer head perforation to fix cable ties
- 2 versions
 - Full depth
 - Recessed depth by 100 mm for rear cable ducting



01004068

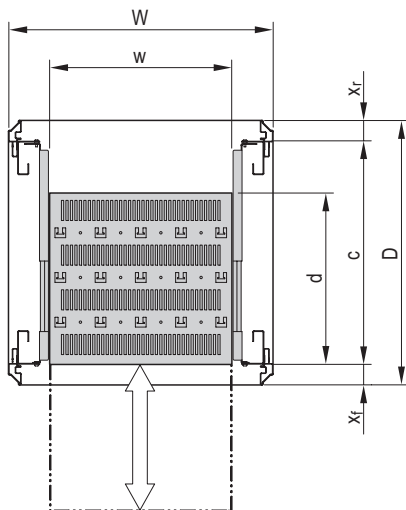
Full depth



01004069

c = max. pitch of the 19"-panel/slide mounts
 x_f, x_r = standard assembly pitch

Recessed depth



01004070

c = max. pitch of the 19" slide mounts x_f, x_r = standard assembly pitch

Delivery includes

Item	Qty	Description
1	1	Perforated shelf, St, 1.5 mm (color see Order Information)
2	2	Telescopic slide
3	1	Assembly kit

Order Information

Full depth				
For cabinet depth	Usable surface $w \times d$	X_f	C	RAL 7021 Order no.
mm	mm	mm	mm	Order no.
600	417 x 482	50	500	21130-343
800	417 x 682	50	700	21130-345
GND/earthing for telescopic 19" shelf U 1 kit, for Varistar				23130-140

Note

- Other sizes available

Order Information

Shortened by 100 mm				
For cabinet depth	Usable surface $w \times d$	X_f	C	RAL 7021 Order no.
mm	mm	mm	mm	Order no.
600	417 x 482	50	500	21130-342
800	417 x 682	50	700	21130-344
GND/earthing for telescopic 19" shelf U 1 kit, for Varistar				23130-140

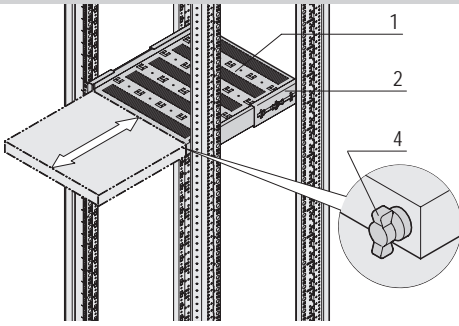
Note

- Other sizes available



For further information www.schroff.us/oneclick
 oneClick code = Order no.

Cabinets - Varistar - Electronics

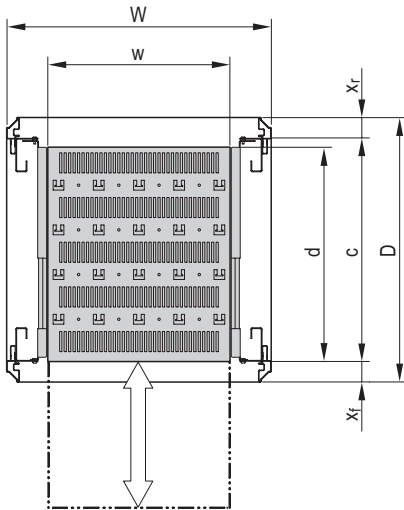


19" telescopic shelf, 150 lbs

- Static load-carrying capacity at full extension 150 lbs
- Mounting height 2 U, for mounting on four 19" panel/slide mounts Incl. telescopic slides
- Locking with T-bar lock possible
- 2 versions
 - Full depth
 - Recessed depth by 100 mm for rear cable ducting

Delivery includes

Item	Qty	Description
1	1	Perforated shelf, St, 1.5 mm (color see Order Information)
2	2	Telescopic slide
3	1	Assembly kit



01004071

Order Information

Full depth

For cabinet depth	Usable surface w x d	X _f	C	RAL 7021	Order no.
mm	mm	mm	mm		
600	417 x 482	50	500		21130-353
800	417 x 682	50	700		21130-355
Item 4 T-bar lock for one telescopic shelf (on right or left), 1 piece					23130-092

Note

- Please order T-bar lock (item 4) separately
- Other sizes available

Order Information

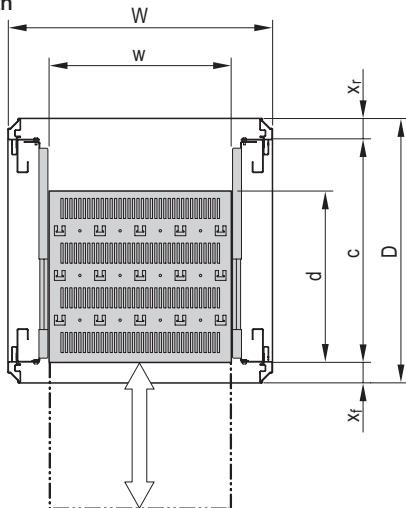
Recessed 100 mm

For cabinet depth	Usable surface w x d	X _f	C	RAL 7021	Order no.
mm	mm	mm	mm		
600	405 x 382	50	500		21130-352
800	405 x 582	50	700		21130-354
Item 4 T-bar lock for one telescopic shelf (on right or left), 1 piece					23130-092

Note

- Please order T-bar lock (item 4) separately
- Other sizes available

c = max. pitch for 19" panel/slide mounts
 x_r, x_f = standard assembly dimension
 Recessed depth



01004069

01004070

c = max. pitch of the 19" slide mounts x_f, x_r = standard assembly pitch



For further information www.schroff.us/oneclick
 oneClick code = Order no.

Cabinets - Varistar - Electronics

Depth member

- For mounting of shortened and recessed 19" panel/slide mounts and mounting plates
- Cable ducting by means of cable ties and cable eye

Delivery includes

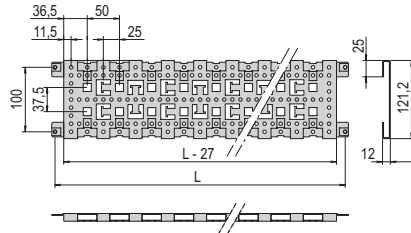
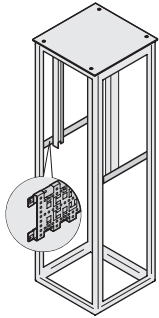
Item	Qty	Description
1	2	Depth member, St, 1.5 mm, finish AlZn
2	1	Assembly kit incl. GND/earthing

Order Information

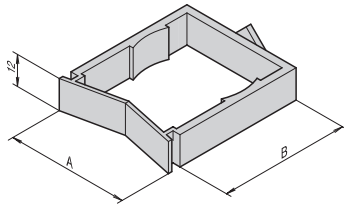
Description	For cabinet depth	Order no.
mm	mm	
Depth member	600	23130-081
Depth member	600	23130-082
Cable eye A = 38 mm, B = 25 mm, U 25 pieces		21101-151
Cable eye A = 47 mm, B = 50 mm, U 25 pieces		21101-150

Note

Other sizes available



0100412601004079



coa43697

Cable eye

C-profile for cabinet depth

- For cable ducting in lateral area of cabinet
- For cable shells and cable retention rails

Delivery includes

Item	Qty	Description
1	2	C-profile, St, 1.5 mm, AlZn
2	1	Assembly kit incl. GND/earthing

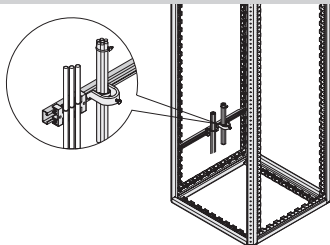
Order Information

For cabinet depth	Length L	Order no.
mm	mm	
600	460	23130-086
800	660	23130-087
Slide nut for C-profiles, U 10 pieces		21120-140

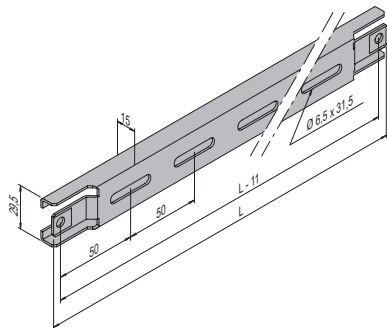
Note

Other sizes available

For use with cable shells and retention rails



01004129



01004132



For further information www.schroff.us/oneclick
oneClick code = Order no.

Cabinets - Varistar - Electronics

C-profile for cabinet width

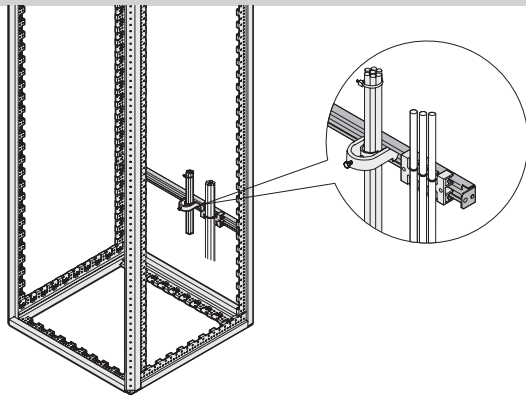
- For cabling in rear or front area of cabinet
- For cable shells and cable retention rails

Delivery includes

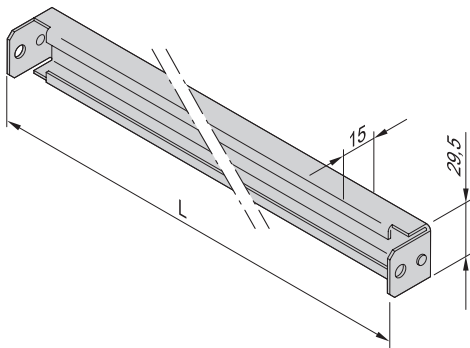
Item	Qty	Description
1	2	C-profile, St, 1.5 mm, AlZn
2	1	Assembly kit incl. GND/earthing

Order Information

For cabinet width mm	Length L mm	Order no.
600	550	23130-333
800	750	23130-334
Slide nut for C-profiles, U 10 pieces		21120-140



01006063



01006064

Note

For use with cable shells and retention rails

Cable retention for C-rail

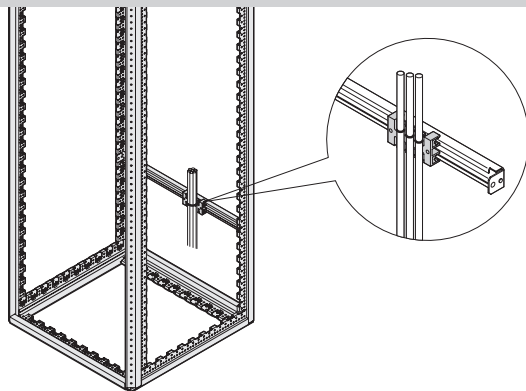
- Assembly by clipping onto the C-rail
- Fixing of cable with cable ties or Velcro

Delivery includes

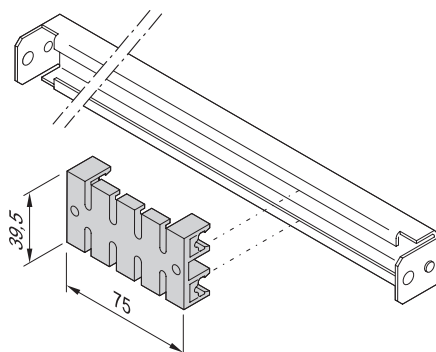
Item	Qty	Description
1	2	Cable retention rail, PA, UL 94 V-0, black

Order Information

Description	Order no.
Cable retention rail for C-rail	60118-472



01006070



01006071



For further information www.schroff.us/oneclick
oneClick code = Order no.

Cabinets - Varistar - Electronics

Cable shells

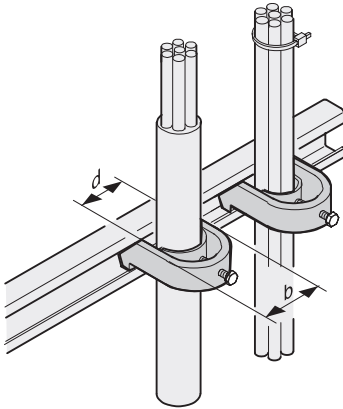
- For mounting of cables on C-profiles and cable support rails

Delivery includes

Item	Qty	Description
1	10	Cable shell, St, 2 mm, tin-plated, with plastic half shells

Order Information

For cable bundled mm	b mm	Order no.
18 ... 22 mm	26	20118-775
22 ... 26 mm	30	20118-776
26 ... 30 mm	34	20118-777
30 ... 34 mm	38	20114-728
34 ... 38 mm	45	20114-729
38 ... 42 mm	48	20114-730
42 ... 46 mm	51	20114-731
46 ... 50 mm	54	23118-778



vnt009

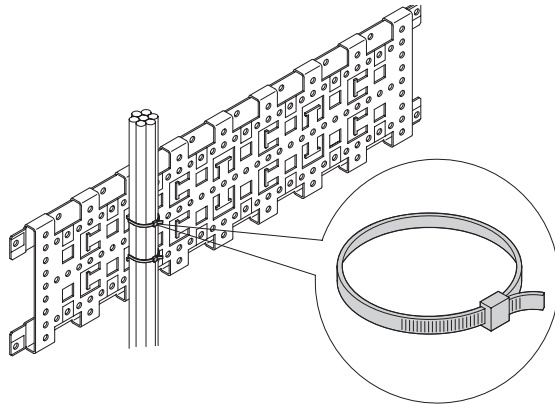
Cable Tie

Delivery includes

Item	Qty	Description
1	25	Cable tie, plastic

Order Information

Description		Order no.
Cable tie	92 mm x 2.5 mm	20118-351
Cable tie	186 mm x 5 mm	20118-352
Cable tie	360 mm x 5 mm	20118-353



01005078

Velcro

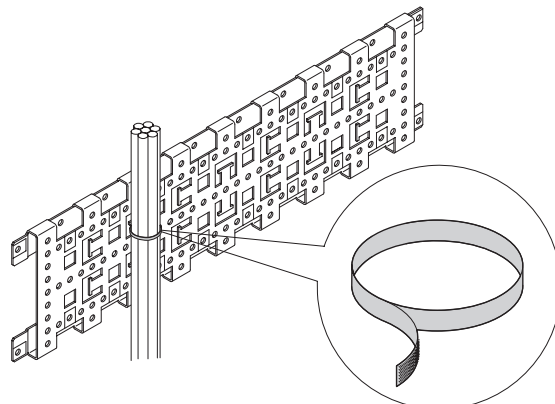
- Length 300 mm (for cable bundles of max. 90 mm diameter)

Delivery includes

Item	Qty	Description
1	10	Velcro tape, PE/PA, black, length 300 mm

Order Information

Description	Order no.
Velcro Strip	20118-624



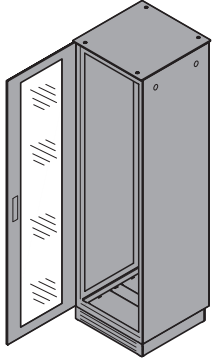
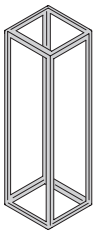
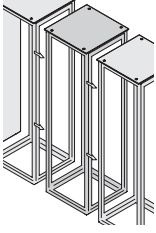
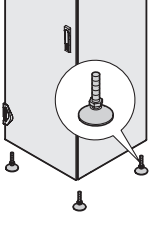
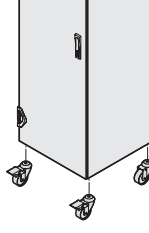
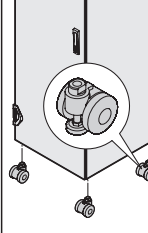
01005079



For further information www.schroff.us/oneclick
oneClick code = Order no.

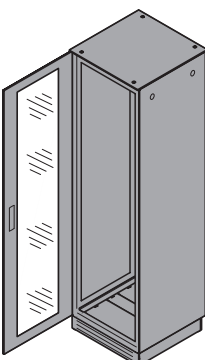
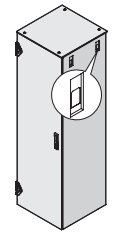
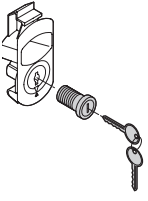
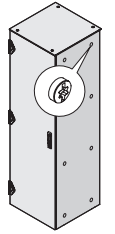
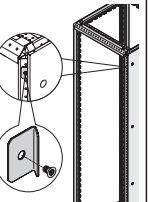
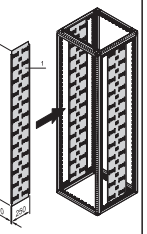
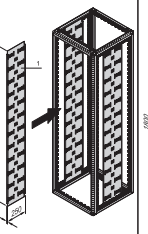
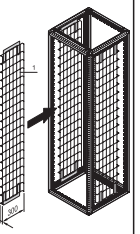
Varistar Electronics Cabinet

Frame, side-by-side mounting kits, adjustable feet, casters

 <p>Completely in RAL 7021 (black grey) Cabinet dimensions</p> <p>Height Width Depth U mm mm mm</p>					 <p>01004078</p> <p>Static load-carrying capacity: 1800 lbs, St, 1.5 mm, zinc-plated, with central GND/earthing point, please order adjustable feet or casters separately</p>	 <p>01004085</p>	 <p>01004081</p> <p>For the frame, static load-carrying capacity: 1100 lbs, cannot be used with plinth</p>	Casters	
					<p>RAL 7021 1 piece</p>	<p>1 kit</p>	<p>4 pieces</p>	<p>With 2 locking feet</p>  <p>01004082</p> <p>For the frame, static load-carrying capacity: 1100 lbs, cannot be used with plinth</p>	<p>With adjustable feet</p>  <p>01004156</p> <p>For the frame, static load-carrying capacity: 900 lbs, cannot be used with plinth</p>
No.	Height U	Width mm	Depth mm	RAL 7021					
1	24	1200	600	600	20130-051				
2	24	1200	600	800	20130-052				
3	24	1200	600	900	20130-085				
4	24	1200	600	1000	20130-086	23130-061	23130-079	23130-077	23130-078
5	24	1200	600	1100	20130-588				
6	24	1200	600	1200	20130-589				
7	24	1200	800	600	20130-053				
8	24	1200	800	800	20130-054	23130-061	23130-079	23130-077	23130-078
9	24	1200	800	900	20130-087				
10	24	1200	800	1000	20130-088				
11	29	1400	600	600	20130-055	23130-061	23130-079	23130-077	23130-078
12	29	1400	600	800	20130-056				
13	29	1400	800	600	20130-057	23130-061	23130-079	23130-077	23130-078
14	29	1400	800	800	20130-058				
15	38	1800	600	600	20130-063	23130-061	23130-079	23130-077	23130-078
16	38	1800	600	800	20130-064				
17	38	1800	800	600	20130-065	23130-061	23130-079	23130-077	23130-078
18	38	1800	800	800	20130-066				
19	42	2000	600	600	20130-068				
20	42	2000	600	800	20130-069				
21	42	2000	600	900	20130-070	23130-061	23130-079	23130-077	23130-078
22	42	2000	600	1000	20130-071				
23	42	2000	600	1100	20130-590				
24	42	2000	600	1200	20130-591				
25	42	2000	800	600	20130-072				
26	42	2000	800	800	20130-073				
27	42	2000	800	900	20130-074	23130-061	23130-079	23130-077	23130-078
28	42	2000	800	1000	20130-075				
29	42	2000	800	1100	20130-592				
30	42	2000	800	1200	20130-593				
31	47	2200	600	600	20130-077				
32	47	2200	600	800	20130-078				
33	47	2200	600	900	20130-079	23130-061	23130-079	23130-077	23130-078
34	47	2200	600	1000	20130-080				
35	47	2200	600	1100	20130-594				
36	47	2200	600	1200	20130-595				
37	47	2200	800	600	20130-081				
38	47	2200	800	800	20130-082				
39	47	2200	800	900	20130-083	23130-061	23130-079	23130-077	23130-078
40	47	2200	800	1000	20130-084				
41	47	2200	800	1100	20130-596				
42	47	2200	800	1200	20130-597				

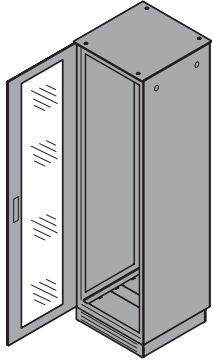
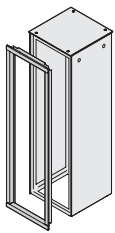
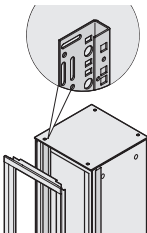
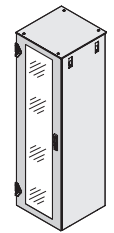
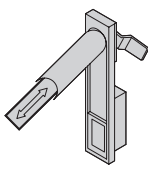
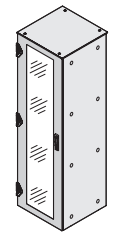
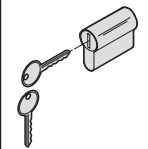
Varistar Electronics Cabinet

Side panels, coverplate, lateral cable management

No.	Cabinet dimensions				Side panel		Screw-Fixed side panel		Lateral cable management		
	Height U mm	Width mm	Depth mm	Material	Quantity	Material	Quantity	Cable panel Width 150 mm	Cable panel Width 250 mm	Cable ladder Height 2000 mm	
	 <p>Completely in RAL 7021 (black grey)</p>										
	 <p>01004084</p> <p>St, 1 mm, incl. GND/earthing, please order lock separately</p>										
	 <p>01004072</p> <p>For quick release fasteners on the side panel</p>										
	 <p>01004083</p> <p>St, 1 mm, incl. GND/earthing</p>										
	 <p>01006104</p> <p>Bracket, Al-Zn, incl. retention screws</p>										
	 <p>01006103</p> <p>St, 1 mm, with cut-outs for cable ties or velcro</p>										
	 <p>01006103</p> <p>St, 1 mm, with cut-outs for cable ties or velcro</p>										
	 <p>01006075</p> <p>Round steel, zinc-plated, for cable ties or velcro</p>										
	<p>RAL 7021</p> <p>2 pieces</p>										
	<p>2 pieces</p>										
	<p>RAL 7021</p> <p>2 pieces</p>										
	<p>2 pieces</p>										
	<p>RAL 7021</p> <p>2 pieces</p>										
	<p>RAL 7021</p> <p>2 pieces</p>										
	<p>2 pieces</p>										
1	24	1200	600	600	21130-041	23130-132	21130-001	23130-373	-	-	-
2	24	1200	600	800	21130-042		21130-002		-	-	-
3	24	1200	600	900	21130-524		21130-516		-	-	-
4	24	1200	600	1000	21130-525		21130-517		-	-	-
5	24	1200	600	1100	-		21130-532		-	-	-
6	24	1200	600	1200	-		21130-533		-	-	-
7	24	1200	800	600	21130-041	23130-132	21130-001	23130-373	-	-	-
8	24	1200	800	800	21130-041		21130-002		-	-	-
9	24	1200	800	900	21130-524		21130-516		-	-	-
10	24	1200	800	1000	21130-525		21130-517		-	-	-
11	29	1400	600	600	21130-043	23130-132	21130-003	23130-373	-	-	-
12	29	1400	600	800	21130-044		21130-004		-	-	-
13	29	1400	800	600	21130-043	23130-132	21130-003	23130-373	-	-	-
14	29	1400	800	800	21130-044		21130-004		-	-	-
15	38	1800	600	600	21130-047	23130-132	21130-007	23130-373	23130-420	23130-149	-
16	38	1800	600	800	21130-048		21130-008		-	-	-
17	38	1800	800	600	21130-047	23130-132	21130-007	23130-373	23130-420	23130-149	-
18	38	1800	800	800	21130-048		21130-008		-	-	-
19	42	2000	600	600	21130-050	23130-132	21130-010	23130-373	23130-421	23130-150	23130-335
20	42	2000	600	800	21130-051		21130-011				
21	42	2000	600	900	21130-052		21130-012				
22	42	2000	600	1000	21130-053		21130-013				
23	42	2000	600	1100	-		21130-534				
24	42	2000	600	1200	-		21130-535				
25	42	2000	800	600	21130-050	23130-132	21130-010	23130-373	23130-421	23130-150	23130-335
26	42	2000	800	800	21130-051		21130-011				
27	42	2000	800	900	21130-052		21130-012				
28	42	2000	800	1000	21130-053		21130-013				
29	42	2000	800	1100	-		21130-534				
30	42	2000	800	1200	-		21130-535				
31	47	2200	600	600	21130-055	23130-132	21130-015	23130-373	23130-422	23130-151	23130-335
32	47	2200	600	800	21130-056		21130-016				
33	47	2200	600	900	21130-057		21130-017				
34	47	2200	600	1000	21130-058		21130-018				
35	47	2200	600	1100	-		21130-536				
36	47	2200	600	1200	-		21130-537				
37	47	2200	800	600	21130-055	23130-132	21130-015	23130-373	23130-422	23130-151	23130-335
38	47	2200	800	800	21130-056		21130-016				
39	47	2200	800	900	21130-057		21130-017				
40	47	2200	800	1000	21130-058		21130-018				
41	47	2200	800	1100	-		21130-536				
42	47	2200	800	1200	-		21130-537				

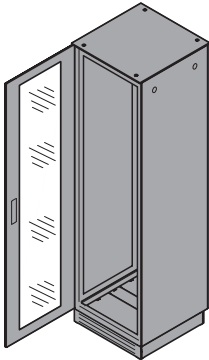


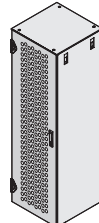
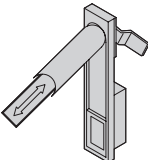

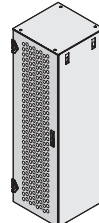
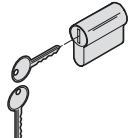
Varistar Electronics Cabinet

Decorative frame, glass doors

				Deco frame		Plexiglass door		Plexiglass door Multi-point locking	DIN profile half cylinder																																																																																																																																																																												
				Deco frame	Accessory mounting leg	Single point locking	Lever handle																																																																																																																																																																														
 <p>Completely in RAL 7021 (black grey)</p> <p>Cabinet dimensions</p> <table border="1"> <thead> <tr> <th>No.</th> <th>Height U</th> <th>Width mm</th> <th>Depth mm</th> </tr> </thead> <tr><td>1</td><td>24</td><td>1200</td><td>600</td></tr> <tr><td>2</td><td>24</td><td>1200</td><td>600</td></tr> <tr><td>3</td><td>24</td><td>1200</td><td>600</td></tr> <tr><td>4</td><td>24</td><td>1200</td><td>600</td></tr> <tr><td>5</td><td>24</td><td>1200</td><td>600</td></tr> <tr><td>6</td><td>24</td><td>1200</td><td>600</td></tr> <tr><td>7</td><td>24</td><td>1200</td><td>800</td></tr> <tr><td>8</td><td>24</td><td>1200</td><td>800</td></tr> <tr><td>9</td><td>24</td><td>1200</td><td>800</td></tr> <tr><td>10</td><td>24</td><td>1200</td><td>800</td></tr> <tr><td>11</td><td>29</td><td>1400</td><td>600</td></tr> <tr><td>12</td><td>29</td><td>1400</td><td>600</td></tr> <tr><td>13</td><td>29</td><td>1400</td><td>800</td></tr> <tr><td>14</td><td>29</td><td>1400</td><td>800</td></tr> <tr><td>15</td><td>38</td><td>1800</td><td>600</td></tr> <tr><td>16</td><td>38</td><td>1800</td><td>600</td></tr> <tr><td>17</td><td>38</td><td>1800</td><td>800</td></tr> <tr><td>18</td><td>38</td><td>1800</td><td>800</td></tr> <tr><td>19</td><td>42</td><td>2000</td><td>600</td></tr> <tr><td>20</td><td>42</td><td>2000</td><td>600</td></tr> <tr><td>21</td><td>42</td><td>2000</td><td>600</td></tr> <tr><td>22</td><td>42</td><td>2000</td><td>600</td></tr> <tr><td>23</td><td>42</td><td>2000</td><td>600</td></tr> <tr><td>24</td><td>42</td><td>2000</td><td>600</td></tr> <tr><td>25</td><td>42</td><td>2000</td><td>800</td></tr> <tr><td>26</td><td>42</td><td>2000</td><td>800</td></tr> <tr><td>27</td><td>42</td><td>2000</td><td>800</td></tr> <tr><td>28</td><td>42</td><td>2000</td><td>800</td></tr> <tr><td>29</td><td>42</td><td>2000</td><td>800</td></tr> <tr><td>30</td><td>42</td><td>2000</td><td>800</td></tr> <tr><td>31</td><td>47</td><td>2200</td><td>600</td></tr> <tr><td>32</td><td>47</td><td>2200</td><td>600</td></tr> <tr><td>33</td><td>47</td><td>2200</td><td>600</td></tr> <tr><td>34</td><td>47</td><td>2200</td><td>600</td></tr> <tr><td>35</td><td>47</td><td>2200</td><td>600</td></tr> <tr><td>36</td><td>47</td><td>2200</td><td>600</td></tr> <tr><td>37</td><td>47</td><td>2200</td><td>800</td></tr> <tr><td>38</td><td>47</td><td>2200</td><td>800</td></tr> <tr><td>39</td><td>47</td><td>2200</td><td>800</td></tr> <tr><td>40</td><td>47</td><td>2200</td><td>800</td></tr> <tr><td>41</td><td>47</td><td>2200</td><td>800</td></tr> <tr><td>42</td><td>47</td><td>2200</td><td>800</td></tr> </table>				No.	Height U	Width mm	Depth mm	1	24	1200	600	2	24	1200	600	3	24	1200	600	4	24	1200	600	5	24	1200	600	6	24	1200	600	7	24	1200	800	8	24	1200	800	9	24	1200	800	10	24	1200	800	11	29	1400	600	12	29	1400	600	13	29	1400	800	14	29	1400	800	15	38	1800	600	16	38	1800	600	17	38	1800	800	18	38	1800	800	19	42	2000	600	20	42	2000	600	21	42	2000	600	22	42	2000	600	23	42	2000	600	24	42	2000	600	25	42	2000	800	26	42	2000	800	27	42	2000	800	28	42	2000	800	29	42	2000	800	30	42	2000	800	31	47	2200	600	32	47	2200	600	33	47	2200	600	34	47	2200	600	35	47	2200	600	36	47	2200	600	37	47	2200	800	38	47	2200	800	39	47	2200	800	40	47	2200	800	41	47	2200	800	42	47	2200	800	 <p>01004086</p> <p>Al, 19" mounting integrated, front open, incl. GND/earthing, no door can be fitted</p> <p>RAL 7021 1 piece</p>	 <p>01004160</p> <p>St, 2 mm, for deco frame, for assembly of slide rails and shelves</p> <p>RAL 7021 1 pair</p>	 <p>01004088</p> <p>St, 1.5 mm, plexiglass, 6 mm, opening angle 180°, lock cover, incl. GND/earthing</p> <p>RAL 7021 1 piece</p>	 <p>01004147</p> <p>With push button for doors with single point locking</p> <p>1 piece</p>	 <p>01004091</p> <p>St, 1.5 mm, plexiglass, 6 mm, opening angle 180°, lever handle with built-in push button, incl. GND/earthing</p> <p>RAL 7021 1 piece</p>	 <p>01004148</p> <p>For lever handle, common locking</p> <p>1 piece</p>
No.	Height U	Width mm	Depth mm																																																																																																																																																																																		
1	24	1200	600																																																																																																																																																																																		
2	24	1200	600																																																																																																																																																																																		
3	24	1200	600																																																																																																																																																																																		
4	24	1200	600																																																																																																																																																																																		
5	24	1200	600																																																																																																																																																																																		
6	24	1200	600																																																																																																																																																																																		
7	24	1200	800																																																																																																																																																																																		
8	24	1200	800																																																																																																																																																																																		
9	24	1200	800																																																																																																																																																																																		
10	24	1200	800																																																																																																																																																																																		
11	29	1400	600																																																																																																																																																																																		
12	29	1400	600																																																																																																																																																																																		
13	29	1400	800																																																																																																																																																																																		
14	29	1400	800																																																																																																																																																																																		
15	38	1800	600																																																																																																																																																																																		
16	38	1800	600																																																																																																																																																																																		
17	38	1800	800																																																																																																																																																																																		
18	38	1800	800																																																																																																																																																																																		
19	42	2000	600																																																																																																																																																																																		
20	42	2000	600																																																																																																																																																																																		
21	42	2000	600																																																																																																																																																																																		
22	42	2000	600																																																																																																																																																																																		
23	42	2000	600																																																																																																																																																																																		
24	42	2000	600																																																																																																																																																																																		
25	42	2000	800																																																																																																																																																																																		
26	42	2000	800																																																																																																																																																																																		
27	42	2000	800																																																																																																																																																																																		
28	42	2000	800																																																																																																																																																																																		
29	42	2000	800																																																																																																																																																																																		
30	42	2000	800																																																																																																																																																																																		
31	47	2200	600																																																																																																																																																																																		
32	47	2200	600																																																																																																																																																																																		
33	47	2200	600																																																																																																																																																																																		
34	47	2200	600																																																																																																																																																																																		
35	47	2200	600																																																																																																																																																																																		
36	47	2200	600																																																																																																																																																																																		
37	47	2200	800																																																																																																																																																																																		
38	47	2200	800																																																																																																																																																																																		
39	47	2200	800																																																																																																																																																																																		
40	47	2200	800																																																																																																																																																																																		
41	47	2200	800																																																																																																																																																																																		
42	47	2200	800																																																																																																																																																																																		
1	24	1200	600	600																																																																																																																																																																																	
2	24	1200	600	800																																																																																																																																																																																	
3	24	1200	600	900																																																																																																																																																																																	
4	24	1200	600	1000	21130-231	23130-220	21130-121	23130-067	21130-181	25127-995																																																																																																																																																																											
5	24	1200	600	1100																																																																																																																																																																																	
6	24	1200	600	1200																																																																																																																																																																																	
7	24	1200	800	600																																																																																																																																																																																	
8	24	1200	800	800	-	-	21130-122	23130-067	21130-182	25127-995																																																																																																																																																																											
9	24	1200	800	900																																																																																																																																																																																	
10	24	1200	800	1000																																																																																																																																																																																	
11	29	1400	600	600	21130-232	23130-221	21130-123	23130-067	21130-183	25127-995																																																																																																																																																																											
12	29	1400	600	800																																																																																																																																																																																	
13	29	1400	800	600	-	-	21130-124	23130-067	21130-184	25127-995																																																																																																																																																																											
14	29	1400	800	800																																																																																																																																																																																	
15	38	1800	600	600	21130-234	23130-223	21130-127	23130-067	21130-187	25127-995																																																																																																																																																																											
16	38	1800	600	800																																																																																																																																																																																	
17	38	1800	800	600	-	-	21130-128	23130-067	21130-188	25127-995																																																																																																																																																																											
18	38	1800	800	800																																																																																																																																																																																	
19	42	2000	600	600																																																																																																																																																																																	
20	42	2000	600	800																																																																																																																																																																																	
21	42	2000	600	900																																																																																																																																																																																	
22	42	2000	600	1000	21130-235	23130-224	21130-129	23130-067	21130-189	25127-995																																																																																																																																																																											
23	42	2000	600	1100																																																																																																																																																																																	
24	42	2000	600	1200																																																																																																																																																																																	
25	42	2000	800	600																																																																																																																																																																																	
26	42	2000	800	800																																																																																																																																																																																	
27	42	2000	800	900	-	-	21130-130	23130-067	21130-190	25127-995																																																																																																																																																																											
28	42	2000	800	1000																																																																																																																																																																																	
29	42	2000	800	1100																																																																																																																																																																																	
30	42	2000	800	1200																																																																																																																																																																																	
31	47	2200	600	600																																																																																																																																																																																	
32	47	2200	600	800																																																																																																																																																																																	
33	47	2200	600	900																																																																																																																																																																																	
34	47	2200	600	1000	21130-236	23130-225	21130-131	23130-067	21130-191	25127-995																																																																																																																																																																											
35	47	2200	600	1100																																																																																																																																																																																	
36	47	2200	600	1200																																																																																																																																																																																	
37	47	2200	800	600																																																																																																																																																																																	
38	47	2200	800	800																																																																																																																																																																																	
39	47	2200	800	900	-	-	21130-132	23130-067	21130-192	25127-995																																																																																																																																																																											
40	47	2200	800	1000																																																																																																																																																																																	
41	47	2200	800	1100																																																																																																																																																																																	
42	47	2200	800	1200																																																																																																																																																																																	

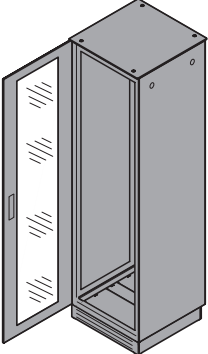
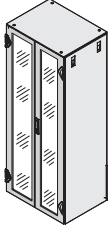

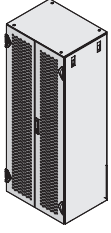
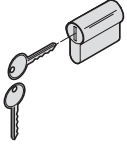
Varistar Electronics Cabinet

Steel Doors

					Steel door, 1 point locking				Steel door, multi-point locking		DIN profile half cylinder																																																																																																																																																																												
					Plain	Solid, with mounting frame	Perforated	Lever handle	Plain	Multi-point locking																																																																																																																																																																													
 <p>Completely in RAL 7021 (black grey)</p> <p>Cabinet dimensions</p> <table border="1"> <thead> <tr> <th>No.</th> <th>Height U</th> <th>Width mm</th> <th>Depth mm</th> </tr> </thead> <tr> <td>1</td><td>24</td><td>1200</td><td>600</td></tr> <tr> <td>2</td><td>24</td><td>1200</td><td>800</td></tr> <tr> <td>3</td><td>24</td><td>1200</td><td>900</td></tr> <tr> <td>4</td><td>24</td><td>1200</td><td>1000</td></tr> <tr> <td>5</td><td>24</td><td>1200</td><td>1100</td></tr> <tr> <td>6</td><td>24</td><td>1200</td><td>1200</td></tr> <tr> <td>7</td><td>24</td><td>1200</td><td>800</td></tr> <tr> <td>8</td><td>24</td><td>1200</td><td>800</td></tr> <tr> <td>9</td><td>24</td><td>1200</td><td>800</td></tr> <tr> <td>10</td><td>24</td><td>1200</td><td>800</td></tr> <tr> <td>11</td><td>29</td><td>1400</td><td>600</td></tr> <tr> <td>12</td><td>29</td><td>1400</td><td>600</td></tr> <tr> <td>13</td><td>29</td><td>1400</td><td>800</td></tr> <tr> <td>14</td><td>29</td><td>1400</td><td>800</td></tr> <tr> <td>15</td><td>38</td><td>1800</td><td>600</td></tr> <tr> <td>16</td><td>38</td><td>1800</td><td>600</td></tr> <tr> <td>17</td><td>38</td><td>1800</td><td>800</td></tr> <tr> <td>18</td><td>38</td><td>1800</td><td>800</td></tr> <tr> <td>19</td><td>42</td><td>2000</td><td>600</td></tr> <tr> <td>20</td><td>42</td><td>2000</td><td>600</td></tr> <tr> <td>21</td><td>42</td><td>2000</td><td>900</td></tr> <tr> <td>22</td><td>42</td><td>2000</td><td>1000</td></tr> <tr> <td>23</td><td>42</td><td>2000</td><td>1100</td></tr> <tr> <td>24</td><td>42</td><td>2000</td><td>1200</td></tr> <tr> <td>25</td><td>42</td><td>2000</td><td>800</td></tr> <tr> <td>26</td><td>42</td><td>2000</td><td>800</td></tr> <tr> <td>27</td><td>42</td><td>2000</td><td>900</td></tr> <tr> <td>28</td><td>42</td><td>2000</td><td>1000</td></tr> <tr> <td>29</td><td>42</td><td>2000</td><td>1100</td></tr> <tr> <td>30</td><td>42</td><td>2000</td><td>1200</td></tr> <tr> <td>31</td><td>47</td><td>2200</td><td>600</td></tr> <tr> <td>32</td><td>47</td><td>2200</td><td>600</td></tr> <tr> <td>33</td><td>47</td><td>2200</td><td>900</td></tr> <tr> <td>34</td><td>47</td><td>2200</td><td>1000</td></tr> <tr> <td>35</td><td>47</td><td>2200</td><td>1100</td></tr> <tr> <td>36</td><td>47</td><td>2200</td><td>1200</td></tr> <tr> <td>37</td><td>47</td><td>2200</td><td>800</td></tr> <tr> <td>38</td><td>47</td><td>2200</td><td>800</td></tr> <tr> <td>39</td><td>47</td><td>2200</td><td>900</td></tr> <tr> <td>40</td><td>47</td><td>2200</td><td>1000</td></tr> <tr> <td>41</td><td>47</td><td>2200</td><td>1100</td></tr> <tr> <td>42</td><td>47</td><td>2200</td><td>1200</td></tr> </table>					No.	Height U	Width mm	Depth mm	1	24	1200	600	2	24	1200	800	3	24	1200	900	4	24	1200	1000	5	24	1200	1100	6	24	1200	1200	7	24	1200	800	8	24	1200	800	9	24	1200	800	10	24	1200	800	11	29	1400	600	12	29	1400	600	13	29	1400	800	14	29	1400	800	15	38	1800	600	16	38	1800	600	17	38	1800	800	18	38	1800	800	19	42	2000	600	20	42	2000	600	21	42	2000	900	22	42	2000	1000	23	42	2000	1100	24	42	2000	1200	25	42	2000	800	26	42	2000	800	27	42	2000	900	28	42	2000	1000	29	42	2000	1100	30	42	2000	1200	31	47	2200	600	32	47	2200	600	33	47	2200	900	34	47	2200	1000	35	47	2200	1100	36	47	2200	1200	37	47	2200	800	38	47	2200	800	39	47	2200	900	40	47	2200	1000	41	47	2200	1100	42	47	2200	1200	 <p>01004089</p> <p>St, 1 mm, opening angle 180°, key, incl. GND/earthing</p> <p>RAL 7021 1 piece</p>	 <p>01004089</p> <p>St, 1 mm, opening angle 180°, lock cover incl. GND/earthing, designed to carry extensive cut-outs and assemblies</p> <p>RAL 7021 1 piece</p>	 <p>01004090</p> <p>St, 1.5 mm, opening angle 180°, key, incl. GND/earthing</p> <p>RAL 7021 1 piece</p>	 <p>01004147</p> <p>With push button for doors with single point locking</p> <p>1 piece</p>	 <p>01004090</p> <p>St, 1.5 mm, opening angle 180°, lever handle with built-in push button, incl. GND/earthing</p> <p>RAL 7021 1 piece</p>	 <p>01004092</p> <p>St, 1.5 mm, opening angle 180°, lever handle with built-in push button, incl. GND/earthing</p> <p>RAL 7021 1 piece</p>	 <p>01004148</p> <p>For lever handle, common locking</p> <p>1 piece</p>
					No.	Height U	Width mm	Depth mm																																																																																																																																																																															
1	24	1200	600																																																																																																																																																																																				
2	24	1200	800																																																																																																																																																																																				
3	24	1200	900																																																																																																																																																																																				
4	24	1200	1000																																																																																																																																																																																				
5	24	1200	1100																																																																																																																																																																																				
6	24	1200	1200																																																																																																																																																																																				
7	24	1200	800																																																																																																																																																																																				
8	24	1200	800																																																																																																																																																																																				
9	24	1200	800																																																																																																																																																																																				
10	24	1200	800																																																																																																																																																																																				
11	29	1400	600																																																																																																																																																																																				
12	29	1400	600																																																																																																																																																																																				
13	29	1400	800																																																																																																																																																																																				
14	29	1400	800																																																																																																																																																																																				
15	38	1800	600																																																																																																																																																																																				
16	38	1800	600																																																																																																																																																																																				
17	38	1800	800																																																																																																																																																																																				
18	38	1800	800																																																																																																																																																																																				
19	42	2000	600																																																																																																																																																																																				
20	42	2000	600																																																																																																																																																																																				
21	42	2000	900																																																																																																																																																																																				
22	42	2000	1000																																																																																																																																																																																				
23	42	2000	1100																																																																																																																																																																																				
24	42	2000	1200																																																																																																																																																																																				
25	42	2000	800																																																																																																																																																																																				
26	42	2000	800																																																																																																																																																																																				
27	42	2000	900																																																																																																																																																																																				
28	42	2000	1000																																																																																																																																																																																				
29	42	2000	1100																																																																																																																																																																																				
30	42	2000	1200																																																																																																																																																																																				
31	47	2200	600																																																																																																																																																																																				
32	47	2200	600																																																																																																																																																																																				
33	47	2200	900																																																																																																																																																																																				
34	47	2200	1000																																																																																																																																																																																				
35	47	2200	1100																																																																																																																																																																																				
36	47	2200	1200																																																																																																																																																																																				
37	47	2200	800																																																																																																																																																																																				
38	47	2200	800																																																																																																																																																																																				
39	47	2200	900																																																																																																																																																																																				
40	47	2200	1000																																																																																																																																																																																				
41	47	2200	1100																																																																																																																																																																																				
42	47	2200	1200																																																																																																																																																																																				
1	24	1200	600																																																																																																																																																																																				
2	24	1200	600																																																																																																																																																																																				
3	24	1200	600																																																																																																																																																																																				
4	24	1200	600	21130-106	21130-566	21130-136	23130-067	21130-151	21130-554	25127-995																																																																																																																																																																													
5	24	1200	600																																																																																																																																																																																				
6	24	1200	600																																																																																																																																																																																				
7	24	1200	800																																																																																																																																																																																				
8	24	1200	800	21130-107	21130-567	21130-137	23130-067	21130-152	21130-555	25127-995																																																																																																																																																																													
9	24	1200	800																																																																																																																																																																																				
10	24	1200	800																																																																																																																																																																																				
11	29	1400	600	21130-108	21130-568	21130-138	23130-067	21130-153	21130-556	25127-995																																																																																																																																																																													
12	29	1400	600																																																																																																																																																																																				
13	29	1400	800	21130-102	1130-562	1130-139	23130-067	21130-154	21130-557	25127-995																																																																																																																																																																													
14	29	1400	800																																																																																																																																																																																				
15	38	1800	600	21130-112	21130-572	21130-142	23130-067	21130-157	21130-560	25127-995																																																																																																																																																																													
16	38	1800	600																																																																																																																																																																																				
17	38	1800	800	21130-113	21130-573	21130-143	23130-067	21130-158	21130-561	25127-995																																																																																																																																																																													
18	38	1800	800																																																																																																																																																																																				
19	42	2000	600																																																																																																																																																																																				
20	42	2000	600	21130-114	21130-574	21130-144	23130-067	21130-159	21130-562	25127-995																																																																																																																																																																													
21	42	2000	600																																																																																																																																																																																				
22	42	2000	600																																																																																																																																																																																				
23	42	2000	600																																																																																																																																																																																				
24	42	2000	600																																																																																																																																																																																				
25	42	2000	800																																																																																																																																																																																				
26	42	2000	800																																																																																																																																																																																				
27	42	2000	800	21130-115	21130-575	21130-145	23130-067	21130-160	21130-563	25127-995																																																																																																																																																																													
28	42	2000	800																																																																																																																																																																																				
29	42	2000	800																																																																																																																																																																																				
30	42	2000	800																																																																																																																																																																																				
31	47	2200	600																																																																																																																																																																																				
32	47	2200	600																																																																																																																																																																																				
33	47	2200	600	21130-116	21130-576	21130-146	23130-067	21130-161	21130-564	25127-995																																																																																																																																																																													
34	47	2200	600																																																																																																																																																																																				
35	47	2200	600																																																																																																																																																																																				
36	47	2200	600																																																																																																																																																																																				
37	47	2200	800																																																																																																																																																																																				
38	47	2200	800																																																																																																																																																																																				
39	47	2200	800	21130-117	21130-577	21130-147	23130-067	21130-162	21130-565	25127-995																																																																																																																																																																													
40	47	2200	800																																																																																																																																																																																				
41	47	2200	800																																																																																																																																																																																				
42	47	2200	800																																																																																																																																																																																				

Varistar Electronics Cabinet

Double doors

					Double door, 3 point locking			DIN profile half cylinder																																																																																																																																																																												
					Plexiglass	Plain	Perforated																																																																																																																																																																													
 <p>Completely in RAL 7021 (black grey) Cabinet dimensions</p> <table border="1"> <thead> <tr> <th>No.</th> <th>Height U mm</th> <th>Width mm</th> <th>Depth mm</th> </tr> </thead> <tbody> <tr><td>1</td><td>24</td><td>1200</td><td>600</td></tr> <tr><td>2</td><td>24</td><td>1200</td><td>800</td></tr> <tr><td>3</td><td>24</td><td>1200</td><td>900</td></tr> <tr><td>4</td><td>24</td><td>1200</td><td>1000</td></tr> <tr><td>5</td><td>24</td><td>1200</td><td>1100</td></tr> <tr><td>6</td><td>24</td><td>1200</td><td>1200</td></tr> <tr><td>7</td><td>24</td><td>1200</td><td>800</td></tr> <tr><td>8</td><td>24</td><td>1200</td><td>800</td></tr> <tr><td>9</td><td>24</td><td>1200</td><td>800</td></tr> <tr><td>10</td><td>24</td><td>1200</td><td>800</td></tr> <tr><td>11</td><td>29</td><td>1400</td><td>600</td></tr> <tr><td>12</td><td>29</td><td>1400</td><td>800</td></tr> <tr><td>13</td><td>29</td><td>1400</td><td>800</td></tr> <tr><td>14</td><td>29</td><td>1400</td><td>800</td></tr> <tr><td>15</td><td>38</td><td>1800</td><td>600</td></tr> <tr><td>16</td><td>38</td><td>1800</td><td>800</td></tr> <tr><td>17</td><td>38</td><td>1800</td><td>800</td></tr> <tr><td>18</td><td>38</td><td>1800</td><td>800</td></tr> <tr><td>19</td><td>42</td><td>2000</td><td>600</td></tr> <tr><td>20</td><td>42</td><td>2000</td><td>800</td></tr> <tr><td>21</td><td>42</td><td>2000</td><td>900</td></tr> <tr><td>22</td><td>42</td><td>2000</td><td>1000</td></tr> <tr><td>23</td><td>42</td><td>2000</td><td>1100</td></tr> <tr><td>24</td><td>42</td><td>2000</td><td>1200</td></tr> <tr><td>25</td><td>42</td><td>2000</td><td>800</td></tr> <tr><td>26</td><td>42</td><td>2000</td><td>800</td></tr> <tr><td>27</td><td>42</td><td>2000</td><td>900</td></tr> <tr><td>28</td><td>42</td><td>2000</td><td>1000</td></tr> <tr><td>29</td><td>42</td><td>2000</td><td>1100</td></tr> <tr><td>30</td><td>42</td><td>2000</td><td>1200</td></tr> <tr><td>31</td><td>47</td><td>2200</td><td>600</td></tr> <tr><td>32</td><td>47</td><td>2200</td><td>800</td></tr> <tr><td>33</td><td>47</td><td>2200</td><td>900</td></tr> <tr><td>34</td><td>47</td><td>2200</td><td>1000</td></tr> <tr><td>35</td><td>47</td><td>2200</td><td>1100</td></tr> <tr><td>36</td><td>47</td><td>2200</td><td>1200</td></tr> <tr><td>37</td><td>47</td><td>2200</td><td>800</td></tr> <tr><td>38</td><td>47</td><td>2200</td><td>800</td></tr> <tr><td>39</td><td>47</td><td>2200</td><td>900</td></tr> <tr><td>40</td><td>47</td><td>2200</td><td>1000</td></tr> <tr><td>41</td><td>47</td><td>2200</td><td>1100</td></tr> <tr><td>42</td><td>47</td><td>2200</td><td>1200</td></tr> </tbody> </table>					No.	Height U mm	Width mm	Depth mm	1	24	1200	600	2	24	1200	800	3	24	1200	900	4	24	1200	1000	5	24	1200	1100	6	24	1200	1200	7	24	1200	800	8	24	1200	800	9	24	1200	800	10	24	1200	800	11	29	1400	600	12	29	1400	800	13	29	1400	800	14	29	1400	800	15	38	1800	600	16	38	1800	800	17	38	1800	800	18	38	1800	800	19	42	2000	600	20	42	2000	800	21	42	2000	900	22	42	2000	1000	23	42	2000	1100	24	42	2000	1200	25	42	2000	800	26	42	2000	800	27	42	2000	900	28	42	2000	1000	29	42	2000	1100	30	42	2000	1200	31	47	2200	600	32	47	2200	800	33	47	2200	900	34	47	2200	1000	35	47	2200	1100	36	47	2200	1200	37	47	2200	800	38	47	2200	800	39	47	2200	900	40	47	2200	1000	41	47	2200	1100	42	47	2200	1200	 <p>01005065 Frame, St, 1.5 mm, Plexiglass, 6 mm, opening angle 180°, lever handle with push button, incl. GND/earthing</p> <p>RAL 7021 1 piece</p>	 <p>01005064 St, 1.5 mm, opening angle 180°, lever handle with push button, incl. GND/earthing</p> <p>RAL 7021 1 piece</p>	 <p>01005066 St, 1.5 mm, opening angle 180°, lever handle with push button, incl. GND/earthing</p> <p>RAL 7021 1 piece</p>	 <p>01004148 For lever handle, common locking</p> <p>1 piece</p>
					No.	Height U mm	Width mm	Depth mm																																																																																																																																																																												
1	24	1200	600																																																																																																																																																																																	
2	24	1200	800																																																																																																																																																																																	
3	24	1200	900																																																																																																																																																																																	
4	24	1200	1000																																																																																																																																																																																	
5	24	1200	1100																																																																																																																																																																																	
6	24	1200	1200																																																																																																																																																																																	
7	24	1200	800																																																																																																																																																																																	
8	24	1200	800																																																																																																																																																																																	
9	24	1200	800																																																																																																																																																																																	
10	24	1200	800																																																																																																																																																																																	
11	29	1400	600																																																																																																																																																																																	
12	29	1400	800																																																																																																																																																																																	
13	29	1400	800																																																																																																																																																																																	
14	29	1400	800																																																																																																																																																																																	
15	38	1800	600																																																																																																																																																																																	
16	38	1800	800																																																																																																																																																																																	
17	38	1800	800																																																																																																																																																																																	
18	38	1800	800																																																																																																																																																																																	
19	42	2000	600																																																																																																																																																																																	
20	42	2000	800																																																																																																																																																																																	
21	42	2000	900																																																																																																																																																																																	
22	42	2000	1000																																																																																																																																																																																	
23	42	2000	1100																																																																																																																																																																																	
24	42	2000	1200																																																																																																																																																																																	
25	42	2000	800																																																																																																																																																																																	
26	42	2000	800																																																																																																																																																																																	
27	42	2000	900																																																																																																																																																																																	
28	42	2000	1000																																																																																																																																																																																	
29	42	2000	1100																																																																																																																																																																																	
30	42	2000	1200																																																																																																																																																																																	
31	47	2200	600																																																																																																																																																																																	
32	47	2200	800																																																																																																																																																																																	
33	47	2200	900																																																																																																																																																																																	
34	47	2200	1000																																																																																																																																																																																	
35	47	2200	1100																																																																																																																																																																																	
36	47	2200	1200																																																																																																																																																																																	
37	47	2200	800																																																																																																																																																																																	
38	47	2200	800																																																																																																																																																																																	
39	47	2200	900																																																																																																																																																																																	
40	47	2200	1000																																																																																																																																																																																	
41	47	2200	1100																																																																																																																																																																																	
42	47	2200	1200																																																																																																																																																																																	
1	24	1200	600																																																																																																																																																																																	
2	24	1200	600																																																																																																																																																																																	
3	24	1200	600																																																																																																																																																																																	
4	24	1200	600	21130-452	21130-484	21130-211	25127-995																																																																																																																																																																													
5	24	1200	600																																																																																																																																																																																	
6	24	1200	600																																																																																																																																																																																	
7	24	1200	800																																																																																																																																																																																	
8	24	1200	800	21130-453	21130-485	21130-212	25127-995																																																																																																																																																																													
9	24	1200	800																																																																																																																																																																																	
10	24	1200	800																																																																																																																																																																																	
11	29	1400	600	21130-454	21130-486	21130-213	25127-995																																																																																																																																																																													
12	29	1400	600																																																																																																																																																																																	
13	29	1400	800	21130-455	21130-487	21130-214	25127-995																																																																																																																																																																													
14	29	1400	800																																																																																																																																																																																	
15	38	1800	600	21130-458	21130-490	21130-217	25127-995																																																																																																																																																																													
16	38	1800	600																																																																																																																																																																																	
17	38	1800	800	21130-459	21130-491	21130-218	25127-995																																																																																																																																																																													
18	38	1800	800																																																																																																																																																																																	
19	42	2000	600																																																																																																																																																																																	
20	42	2000	600																																																																																																																																																																																	
21	42	2000	600	21130-460	21130-492	21130-219	25127-995																																																																																																																																																																													
22	42	2000	600																																																																																																																																																																																	
23	42	2000	600																																																																																																																																																																																	
24	42	2000	600																																																																																																																																																																																	
25	42	2000	800																																																																																																																																																																																	
26	42	2000	800																																																																																																																																																																																	
27	42	2000	800	21130-461	21130-493	21130-220	25127-995																																																																																																																																																																													
28	42	2000	800																																																																																																																																																																																	
29	42	2000	800																																																																																																																																																																																	
30	42	2000	800																																																																																																																																																																																	
31	47	2200	600																																																																																																																																																																																	
32	47	2200	600																																																																																																																																																																																	
33	47	2200	600	21130-462	21130-494	21130-221	25127-995																																																																																																																																																																													
34	47	2200	600																																																																																																																																																																																	
35	47	2200	600																																																																																																																																																																																	
36	47	2200	600																																																																																																																																																																																	
37	47	2200	800																																																																																																																																																																																	
38	47	2200	800																																																																																																																																																																																	
39	47	2200	800	21130-463	21130-495	21130-222	25127-995																																																																																																																																																																													
40	47	2200	800																																																																																																																																																																																	
41	47	2200	800																																																																																																																																																																																	
42	47	2200	800																																																																																																																																																																																	

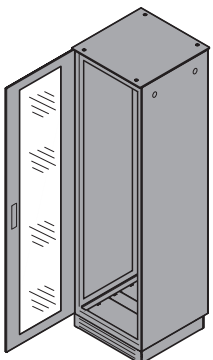
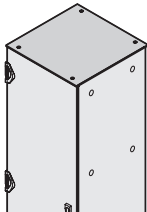
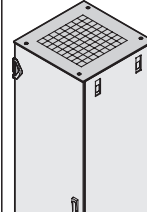
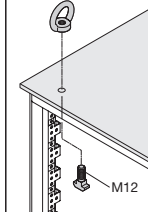
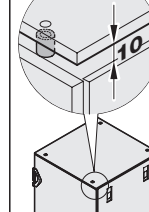
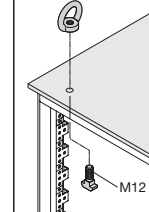
Varistar Electronics Cabinet

Rear panels, connection plates

No.	Completely in RAL 7021 (black grey) Cabinet dimensions				Rear panel		Rear panel, screw fixed	Dimensioning connecting plate Door/rear panel	Connecting plate for door and rear panel		
	Height U	mm	Width mm	Depth mm	With quick release fastener 01004067 St, 1 mm, incl. GND/earthing, please order lock separately RAL 7021 1 piece	Lock 01004072 For quick-release fasteners of rear panel 2 pieces	01004065 St, 1 mm, incl. GND/earthing RAL 7021 2 pieces	01005071 Door and rear panel must be selected 400 mm shorter than the cabinet height; cannot be used with double door Width mm	Plain 01005063 St, 1 mm, assembly also possible at top, height 400 mm, please order assembly kit separately in conjunction with rear panel RAL 7021 1 piece	With brush strip 01005069 St, 1 mm, assembly also possible at top, height 400 mm, please order assembly kit separately in conjunction with rear panel RAL 7021 1 piece	Assembly kit Only required if rear panel with quick-release fastener is assembled above the connecting plate 1 kit
1	24	1200	600	600							
2	24	1200	600	800							
3	24	1200	600	900							
4	24	1200	600	1000	21130-091	23130-133	21130-061	-	-	-	-
5	24	1200	600	1100							
6	24	1200	600	1200							
7	24	1200	800	600							
8	24	1200	800	800	21130-092	23130-133	21130-062	-	-	-	-
9	24	1200	800	900							
10	24	1200	800	1000							
11	29	1400	600	600	21130-093	23130-133	21130-063	-	-	-	-
12	29	1400	600	800							
13	29	1400	800	600	21130-094	23130-133	21130-064	-	-	-	-
14	29	1400	800	800							
15	38	1800	600	600	21130-097	23130-133	21130-067	600	21130-472	21130-478	23130-164
16	38	1800	600	800							
17	38	1800	800	600	21130-098	23130-133	21130-068	800	21130-473	21130-479	23130-164
18	38	1800	800	800							
19	42	2000	600	600							
20	42	2000	600	800							
21	42	2000	600	900							
22	42	2000	600	1000	21130-099	23130-133	21130-069	600	21130-472	21130-478	23130-164
23	42	2000	600	1100							
24	42	2000	600	1200							
25	42	2000	800	600							
26	42	2000	800	800							
27	42	2000	800	900							
28	42	2000	800	1000	21130-100	23130-133	21130-070	800	21130-473	21130-479	23130-164
29	42	2000	800	1100							
30	42	2000	800	1200							
31	47	2200	600	600							
32	47	2200	600	800							
33	47	2200	600	900							
34	47	2200	600	1000	21130-101	23130-133	21130-071	600	21130-472	21130-478	23130-164
35	47	2200	600	1100							
36	47	2200	600	1200							
37	47	2200	800	600							
38	47	2200	800	800							
39	47	2200	800	900							
40	47	2200	800	1000	21130-102	23130-133	21130-072	800	21130-473	21130-479	23130-164
41	47	2200	800	1100							
42	47	2200	800	1200							

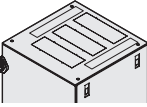
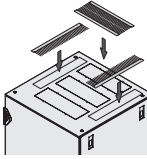
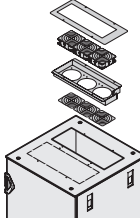
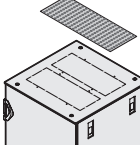
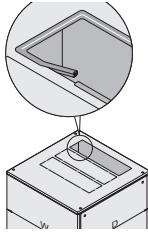
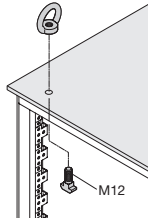
Varistar Electronics Cabinet

Top covers

				Flat top cover			Raised top cover																																																																																																																																																																																																																								
				Plain	Perforated	Lifting eye	Spacer	Lifting eye																																																																																																																																																																																																																							
 <p>Completely in RAL 7021 (black grey)</p> <p>Cabinet dimensions</p> <table border="1"> <thead> <tr> <th>No.</th> <th>U</th> <th>Height mm</th> <th>Width mm</th> <th>Depth mm</th> </tr> </thead> <tbody> <tr><td>1</td><td>24</td><td>1200</td><td>600</td><td>600</td></tr> <tr><td>2</td><td>24</td><td>1200</td><td>600</td><td>800</td></tr> <tr><td>3</td><td>24</td><td>1200</td><td>600</td><td>900</td></tr> <tr><td>4</td><td>24</td><td>1200</td><td>600</td><td>1000</td></tr> <tr><td>5</td><td>24</td><td>1200</td><td>600</td><td>1100</td></tr> <tr><td>6</td><td>24</td><td>1200</td><td>600</td><td>1200</td></tr> <tr><td>7</td><td>24</td><td>1200</td><td>800</td><td>600</td></tr> <tr><td>8</td><td>24</td><td>1200</td><td>800</td><td>800</td></tr> <tr><td>9</td><td>24</td><td>1200</td><td>800</td><td>900</td></tr> <tr><td>10</td><td>24</td><td>1200</td><td>800</td><td>1000</td></tr> <tr><td>11</td><td>29</td><td>1400</td><td>600</td><td>600</td></tr> <tr><td>12</td><td>29</td><td>1400</td><td>600</td><td>800</td></tr> <tr><td>13</td><td>29</td><td>1400</td><td>800</td><td>600</td></tr> <tr><td>14</td><td>29</td><td>1400</td><td>800</td><td>800</td></tr> <tr><td>15</td><td>38</td><td>1800</td><td>600</td><td>600</td></tr> <tr><td>16</td><td>38</td><td>1800</td><td>600</td><td>800</td></tr> <tr><td>17</td><td>38</td><td>1800</td><td>800</td><td>600</td></tr> <tr><td>18</td><td>38</td><td>1800</td><td>800</td><td>800</td></tr> <tr><td>19</td><td>42</td><td>2000</td><td>600</td><td>600</td></tr> <tr><td>20</td><td>42</td><td>2000</td><td>600</td><td>800</td></tr> <tr><td>21</td><td>42</td><td>2000</td><td>600</td><td>900</td></tr> <tr><td>22</td><td>42</td><td>2000</td><td>600</td><td>1000</td></tr> <tr><td>23</td><td>42</td><td>2000</td><td>600</td><td>1100</td></tr> <tr><td>24</td><td>42</td><td>2000</td><td>600</td><td>1200</td></tr> <tr><td>25</td><td>42</td><td>2000</td><td>800</td><td>600</td></tr> <tr><td>26</td><td>42</td><td>2000</td><td>800</td><td>800</td></tr> <tr><td>27</td><td>42</td><td>2000</td><td>800</td><td>900</td></tr> <tr><td>28</td><td>42</td><td>2000</td><td>800</td><td>1000</td></tr> <tr><td>29</td><td>42</td><td>2000</td><td>800</td><td>1100</td></tr> <tr><td>30</td><td>42</td><td>2000</td><td>800</td><td>1200</td></tr> <tr><td>31</td><td>47</td><td>2200</td><td>600</td><td>600</td></tr> <tr><td>32</td><td>47</td><td>2200</td><td>600</td><td>800</td></tr> <tr><td>33</td><td>47</td><td>2200</td><td>600</td><td>900</td></tr> <tr><td>34</td><td>47</td><td>2200</td><td>600</td><td>1000</td></tr> <tr><td>35</td><td>47</td><td>2200</td><td>600</td><td>1100</td></tr> <tr><td>36</td><td>47</td><td>2200</td><td>600</td><td>1200</td></tr> <tr><td>37</td><td>47</td><td>2200</td><td>800</td><td>600</td></tr> <tr><td>38</td><td>47</td><td>2200</td><td>800</td><td>800</td></tr> <tr><td>39</td><td>47</td><td>2200</td><td>800</td><td>900</td></tr> <tr><td>40</td><td>47</td><td>2200</td><td>800</td><td>1000</td></tr> <tr><td>41</td><td>47</td><td>2200</td><td>800</td><td>1100</td></tr> <tr><td>42</td><td>47</td><td>2200</td><td>800</td><td>1200</td></tr> </tbody> </table>				No.	U	Height mm	Width mm	Depth mm	1	24	1200	600	600	2	24	1200	600	800	3	24	1200	600	900	4	24	1200	600	1000	5	24	1200	600	1100	6	24	1200	600	1200	7	24	1200	800	600	8	24	1200	800	800	9	24	1200	800	900	10	24	1200	800	1000	11	29	1400	600	600	12	29	1400	600	800	13	29	1400	800	600	14	29	1400	800	800	15	38	1800	600	600	16	38	1800	600	800	17	38	1800	800	600	18	38	1800	800	800	19	42	2000	600	600	20	42	2000	600	800	21	42	2000	600	900	22	42	2000	600	1000	23	42	2000	600	1100	24	42	2000	600	1200	25	42	2000	800	600	26	42	2000	800	800	27	42	2000	800	900	28	42	2000	800	1000	29	42	2000	800	1100	30	42	2000	800	1200	31	47	2200	600	600	32	47	2200	600	800	33	47	2200	600	900	34	47	2200	600	1000	35	47	2200	600	1100	36	47	2200	600	1200	37	47	2200	800	600	38	47	2200	800	800	39	47	2200	800	900	40	47	2200	800	1000	41	47	2200	800	1100	42	47	2200	800	1200	 <p>01004096</p> <p>St, 1.5 mm, incl. GND/earthing</p> <p>RAL 7021 1 piece</p>	 <p>01004097</p> <p>St, 1.5 mm, perforated throughout, incl. GND/earthing</p> <p>RAL 7021 1 piece</p>	 <p>01005064</p> <p>For top cover, application and load in compliance with DIN 582</p> <p>4 pieces</p>	 <p>01004099</p> <p>Spacer, St, zinc-plated, for raising a top cover by 10 mm</p> <p>RAL 7021 4 pieces</p>	 <p>01005064</p> <p>For raised flat top cover, application and loading in accordance with DIN 582</p> <p>4 pieces</p>
				No.	U	Height mm	Width mm	Depth mm																																																																																																																																																																																																																							
1	24	1200	600	600																																																																																																																																																																																																																											
2	24	1200	600	800																																																																																																																																																																																																																											
3	24	1200	600	900																																																																																																																																																																																																																											
4	24	1200	600	1000																																																																																																																																																																																																																											
5	24	1200	600	1100																																																																																																																																																																																																																											
6	24	1200	600	1200																																																																																																																																																																																																																											
7	24	1200	800	600																																																																																																																																																																																																																											
8	24	1200	800	800																																																																																																																																																																																																																											
9	24	1200	800	900																																																																																																																																																																																																																											
10	24	1200	800	1000																																																																																																																																																																																																																											
11	29	1400	600	600																																																																																																																																																																																																																											
12	29	1400	600	800																																																																																																																																																																																																																											
13	29	1400	800	600																																																																																																																																																																																																																											
14	29	1400	800	800																																																																																																																																																																																																																											
15	38	1800	600	600																																																																																																																																																																																																																											
16	38	1800	600	800																																																																																																																																																																																																																											
17	38	1800	800	600																																																																																																																																																																																																																											
18	38	1800	800	800																																																																																																																																																																																																																											
19	42	2000	600	600																																																																																																																																																																																																																											
20	42	2000	600	800																																																																																																																																																																																																																											
21	42	2000	600	900																																																																																																																																																																																																																											
22	42	2000	600	1000																																																																																																																																																																																																																											
23	42	2000	600	1100																																																																																																																																																																																																																											
24	42	2000	600	1200																																																																																																																																																																																																																											
25	42	2000	800	600																																																																																																																																																																																																																											
26	42	2000	800	800																																																																																																																																																																																																																											
27	42	2000	800	900																																																																																																																																																																																																																											
28	42	2000	800	1000																																																																																																																																																																																																																											
29	42	2000	800	1100																																																																																																																																																																																																																											
30	42	2000	800	1200																																																																																																																																																																																																																											
31	47	2200	600	600																																																																																																																																																																																																																											
32	47	2200	600	800																																																																																																																																																																																																																											
33	47	2200	600	900																																																																																																																																																																																																																											
34	47	2200	600	1000																																																																																																																																																																																																																											
35	47	2200	600	1100																																																																																																																																																																																																																											
36	47	2200	600	1200																																																																																																																																																																																																																											
37	47	2200	800	600																																																																																																																																																																																																																											
38	47	2200	800	800																																																																																																																																																																																																																											
39	47	2200	800	900																																																																																																																																																																																																																											
40	47	2200	800	1000																																																																																																																																																																																																																											
41	47	2200	800	1100																																																																																																																																																																																																																											
42	47	2200	800	1200																																																																																																																																																																																																																											
1	24	1200	600	600	21130-242	21130-262																																																																																																																																																																																																																									
2	24	1200	600	800	21130-243	21130-263																																																																																																																																																																																																																									
3	24	1200	600	900	21130-244	21130-264	23130-072	23130-068	23130-085																																																																																																																																																																																																																						
4	24	1200	600	1000	21130-245	21130-265																																																																																																																																																																																																																									
5	24	1200	600	1100	21130-538	21130-546																																																																																																																																																																																																																									
6	24	1200	600	1200	21130-539	21130-547																																																																																																																																																																																																																									
7	24	1200	800	600	21130-246	21130-266																																																																																																																																																																																																																									
8	24	1200	800	800	21130-247	21130-267	23130-072	23130-068	23130-085																																																																																																																																																																																																																						
9	24	1200	800	900	21130-248	21130-268																																																																																																																																																																																																																									
10	24	1200	800	1000	21130-249	21130-269																																																																																																																																																																																																																									
11	29	1400	600	600	21130-242	21130-262	23130-072	23130-068	23130-085																																																																																																																																																																																																																						
12	29	1400	600	800	21130-243	21130-263																																																																																																																																																																																																																									
13	29	1400	800	600	21130-246	21130-266	23130-072	23130-068	23130-085																																																																																																																																																																																																																						
14	29	1400	800	800	21130-247	21130-267																																																																																																																																																																																																																									
15	38	1800	600	600	21130-242	21130-262	23130-072	23130-068	23130-085																																																																																																																																																																																																																						
16	38	1800	600	800	21130-243	21130-263																																																																																																																																																																																																																									
17	38	1800	800	600	21130-246	21130-266	23130-072	23130-068	23130-085																																																																																																																																																																																																																						
18	38	1800	800	800	21130-247	21130-267																																																																																																																																																																																																																									
19	42	2000	600	600	21130-242	21130-262																																																																																																																																																																																																																									
20	42	2000	600	800	21130-243	21130-263																																																																																																																																																																																																																									
21	42	2000	600	900	21130-244	21130-264	23130-072	23130-068	23130-085																																																																																																																																																																																																																						
22	42	2000	600	1000	21130-245	21130-265																																																																																																																																																																																																																									
23	42	2000	600	1100	21130-538	21130-546																																																																																																																																																																																																																									
24	42	2000	600	1200	21130-539	21130-547																																																																																																																																																																																																																									
25	42	2000	800	600	21130-246	21130-266																																																																																																																																																																																																																									
26	42	2000	800	800	21130-247	21130-267																																																																																																																																																																																																																									
27	42	2000	800	900	21130-248	21130-268	23130-072	23130-068	23130-085																																																																																																																																																																																																																						
28	42	2000	800	1000	21130-249	21130-269																																																																																																																																																																																																																									
29	42	2000	800	1100	21130-540	21130-548																																																																																																																																																																																																																									
30	42	2000	800	1200	21130-541	21130-549																																																																																																																																																																																																																									
31	47	2200	600	600	21130-242	21130-262																																																																																																																																																																																																																									
32	47	2200	600	800	21130-243	21130-263																																																																																																																																																																																																																									
33	47	2200	600	900	21130-244	21130-264	23130-072	23130-068	23130-085																																																																																																																																																																																																																						
34	47	2200	600	1000	21130-245	21130-265																																																																																																																																																																																																																									
35	47	2200	600	1100	21130-538	21130-546																																																																																																																																																																																																																									
36	47	2200	600	1200	21130-539	21130-547																																																																																																																																																																																																																									
37	47	2200	800	600	21130-246	21130-266																																																																																																																																																																																																																									
38	47	2200	800	800	21130-247	21130-267																																																																																																																																																																																																																									
39	47	2200	800	900	21130-248	21130-268	23130-072	23130-068	23130-085																																																																																																																																																																																																																						
40	47	2200	800	1000	21130-249	21130-269																																																																																																																																																																																																																									
41	47	2200	800	1100	21130-540	21130-548																																																																																																																																																																																																																									
42	47	2200	800	1200	21130-541	21130-549																																																																																																																																																																																																																									

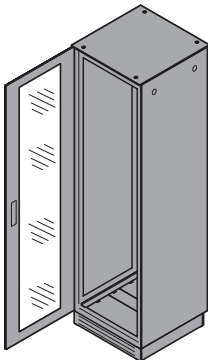
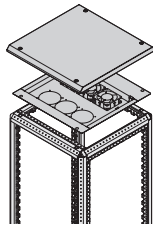
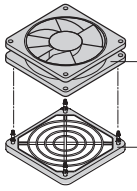
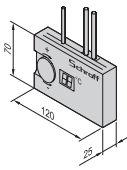
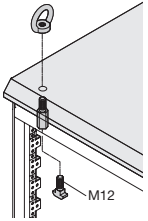
Varistar Electronics Cabinet

Top covers with cut-out zones

No.	Completely in RAL 7021 (black grey) Cabinet dimensions				Flat top cover with cut-out zones  01006093 St, 1.5 mm, incl. GND/earthing, number of cut-outs and dimension drawings see page 27 RAL 7021 1 piece assembled	Top cover assemblies					
	Height U	Width mm	Depth mm			Brush strip  10106092 Nylon, black, one brush strip covers a lateral cut-out, two brush strips cover a center cut-out 2 pieces	Fan insert  115V AC, 3 fans RAL 7021 1 piece	Cover perforated  01004103 St, 5 mm cut-outs, incl. GND/earthing RAL 7021 1 piece	Edge protection  41003065 PVC, 3 m, black, for open cut-out zones 1 piece	Lifting eye  01005064 For top cover, application and load in compliance with DIN 582 4 pieces	
1	24	1200	600	600	21130-252						
2	24	1200	600	800	21130-253						
3	24	1200	600	900	21130-254						
4	24	1200	600	1000	21130-255	23130-069	27130-001	23130-071	28127-281	23130-072	
5	24	1200	600	1100	21130-542						
6	24	1200	600	1200	21130-543						
7	24	1200	800	600	21130-256						
8	24	1200	800	800	21130-257	23130-069	27130-001	23130-071	28127-281	23130-072	
9	24	1200	800	900	21130-258						
10	24	1200	800	1000	21130-259						
11	29	1400	600	600	21130-252	23130-069	27130-001	23130-071	28127-281	23130-072	
12	29	1400	600	800	21130-253						
13	29	1400	800	600	21130-256	23130-069	27130-001	23130-071	28127-281	23130-072	
14	29	1400	800	800	21130-257						
15	38	1800	600	600	21130-252	23130-069	27130-001	23130-071	28127-281	23130-072	
16	38	1800	600	800	21130-253						
17	38	1800	800	600	21130-256	23130-069	27130-001	23130-071	28127-281	23130-072	
18	38	1800	800	800	21130-257						
19	42	2000	600	600	21130-252						
20	42	2000	600	800	21130-253						
21	42	2000	600	900	21130-254						
22	42	2000	600	1000	21130-255	23130-069	27130-001	23130-071	28127-281	23130-072	
23	42	2000	600	1100	21130-542						
24	42	2000	600	1200	21130-543						
25	42	2000	800	600	21130-256						
26	42	2000	800	800	21130-257						
27	42	2000	800	900	21130-258						
28	42	2000	800	1000	21130-259	23130-069	27130-001	23130-071	28127-281	23130-072	
29	42	2000	800	1100	21130-544						
30	42	2000	800	1200	21130-545						
31	47	2200	600	600	21130-252						
32	47	2200	600	800	21130-253						
33	47	2200	600	900	21130-254						
34	47	2200	600	1000	21130-255	23130-069	27130-001	23130-071	28127-281	23130-072	
35	47	2200	600	1100	21130-542						
36	47	2200	600	1200	21130-543						
37	47	2200	800	600	21130-256						
38	47	2200	800	800	21130-257						
39	47	2200	800	900	21130-258						
40	47	2200	800	1000	21130-259	23130-069	27130-001	23130-071	28127-281	23130-072	
41	47	2200	800	1100	21130-544						
42	47	2200	800	1200	21130-545						

Varistar Electronics Cabinet

Fan top covers

				Vented top cover																																																																																																																																																																															
				Top cover for 6 fans	Replacement fan for fan top	Speed control	Lifting eye																																																																																																																																																																												
 <p>Completely in RAL 7021 (black grey)</p> <p>Cabinet dimensions</p> <table border="1"> <thead> <tr> <th>No.</th> <th>Height U</th> <th>Width mm</th> <th>Depth mm</th> </tr> </thead> <tr> <td>1</td> <td>24</td> <td>1200</td> <td>600</td> </tr> <tr> <td>2</td> <td>24</td> <td>1200</td> <td>600</td> </tr> <tr> <td>3</td> <td>24</td> <td>1200</td> <td>600</td> </tr> <tr> <td>4</td> <td>24</td> <td>1200</td> <td>600</td> </tr> <tr> <td>5</td> <td>24</td> <td>1200</td> <td>600</td> </tr> <tr> <td>6</td> <td>24</td> <td>1200</td> <td>600</td> </tr> <tr> <td>7</td> <td>24</td> <td>1200</td> <td>800</td> </tr> <tr> <td>8</td> <td>24</td> <td>1200</td> <td>800</td> </tr> <tr> <td>9</td> <td>24</td> <td>1200</td> <td>800</td> </tr> <tr> <td>10</td> <td>24</td> <td>1200</td> <td>800</td> </tr> <tr> <td>11</td> <td>29</td> <td>1400</td> <td>600</td> </tr> <tr> <td>12</td> <td>29</td> <td>1400</td> <td>600</td> </tr> <tr> <td>13</td> <td>29</td> <td>1400</td> <td>600</td> </tr> <tr> <td>14</td> <td>29</td> <td>1400</td> <td>600</td> </tr> <tr> <td>15</td> <td>38</td> <td>1800</td> <td>600</td> </tr> <tr> <td>16</td> <td>38</td> <td>1800</td> <td>600</td> </tr> <tr> <td>17</td> <td>38</td> <td>1800</td> <td>600</td> </tr> <tr> <td>18</td> <td>38</td> <td>1800</td> <td>600</td> </tr> <tr> <td>19</td> <td>42</td> <td>2000</td> <td>600</td> </tr> <tr> <td>20</td> <td>42</td> <td>2000</td> <td>600</td> </tr> <tr> <td>21</td> <td>42</td> <td>2000</td> <td>600</td> </tr> <tr> <td>22</td> <td>42</td> <td>2000</td> <td>600</td> </tr> <tr> <td>23</td> <td>42</td> <td>2000</td> <td>600</td> </tr> <tr> <td>24</td> <td>42</td> <td>2000</td> <td>600</td> </tr> <tr> <td>25</td> <td>42</td> <td>2000</td> <td>800</td> </tr> <tr> <td>26</td> <td>42</td> <td>2000</td> <td>800</td> </tr> <tr> <td>27</td> <td>42</td> <td>2000</td> <td>800</td> </tr> <tr> <td>28</td> <td>42</td> <td>2000</td> <td>800</td> </tr> <tr> <td>29</td> <td>42</td> <td>2000</td> <td>800</td> </tr> <tr> <td>30</td> <td>42</td> <td>2000</td> <td>800</td> </tr> <tr> <td>31</td> <td>47</td> <td>2200</td> <td>600</td> </tr> <tr> <td>32</td> <td>47</td> <td>2200</td> <td>600</td> </tr> <tr> <td>33</td> <td>47</td> <td>2200</td> <td>600</td> </tr> <tr> <td>34</td> <td>47</td> <td>2200</td> <td>600</td> </tr> <tr> <td>35</td> <td>47</td> <td>2200</td> <td>600</td> </tr> <tr> <td>36</td> <td>47</td> <td>2200</td> <td>600</td> </tr> <tr> <td>37</td> <td>47</td> <td>2200</td> <td>800</td> </tr> <tr> <td>38</td> <td>47</td> <td>2200</td> <td>800</td> </tr> <tr> <td>39</td> <td>47</td> <td>2200</td> <td>800</td> </tr> <tr> <td>40</td> <td>47</td> <td>2200</td> <td>800</td> </tr> <tr> <td>41</td> <td>47</td> <td>2200</td> <td>800</td> </tr> <tr> <td>42</td> <td>47</td> <td>2200</td> <td>800</td> </tr> </table>				No.	Height U	Width mm	Depth mm	1	24	1200	600	2	24	1200	600	3	24	1200	600	4	24	1200	600	5	24	1200	600	6	24	1200	600	7	24	1200	800	8	24	1200	800	9	24	1200	800	10	24	1200	800	11	29	1400	600	12	29	1400	600	13	29	1400	600	14	29	1400	600	15	38	1800	600	16	38	1800	600	17	38	1800	600	18	38	1800	600	19	42	2000	600	20	42	2000	600	21	42	2000	600	22	42	2000	600	23	42	2000	600	24	42	2000	600	25	42	2000	800	26	42	2000	800	27	42	2000	800	28	42	2000	800	29	42	2000	800	30	42	2000	800	31	47	2200	600	32	47	2200	600	33	47	2200	600	34	47	2200	600	35	47	2200	600	36	47	2200	600	37	47	2200	800	38	47	2200	800	39	47	2200	800	40	47	2200	800	41	47	2200	800	42	47	2200	800	 <p>01005060</p> <p>15V AC, 6 fans</p>	 <p>01005076</p> <p>Fan with finger guard, 115V AC, 38mm</p>	 <p>01005076</p> <p>For capacitor motors, fully wired, 110 ... 230 V_{AC}, input SCHUKO/UTE plug, output IEC socket; external NTC sensor 1.5 m</p>	 <p>01005085</p> <p>For fan top cover, applications and static load-carrying in accordance with DIN 582</p>
No.	Height U	Width mm	Depth mm																																																																																																																																																																																
1	24	1200	600																																																																																																																																																																																
2	24	1200	600																																																																																																																																																																																
3	24	1200	600																																																																																																																																																																																
4	24	1200	600																																																																																																																																																																																
5	24	1200	600																																																																																																																																																																																
6	24	1200	600																																																																																																																																																																																
7	24	1200	800																																																																																																																																																																																
8	24	1200	800																																																																																																																																																																																
9	24	1200	800																																																																																																																																																																																
10	24	1200	800																																																																																																																																																																																
11	29	1400	600																																																																																																																																																																																
12	29	1400	600																																																																																																																																																																																
13	29	1400	600																																																																																																																																																																																
14	29	1400	600																																																																																																																																																																																
15	38	1800	600																																																																																																																																																																																
16	38	1800	600																																																																																																																																																																																
17	38	1800	600																																																																																																																																																																																
18	38	1800	600																																																																																																																																																																																
19	42	2000	600																																																																																																																																																																																
20	42	2000	600																																																																																																																																																																																
21	42	2000	600																																																																																																																																																																																
22	42	2000	600																																																																																																																																																																																
23	42	2000	600																																																																																																																																																																																
24	42	2000	600																																																																																																																																																																																
25	42	2000	800																																																																																																																																																																																
26	42	2000	800																																																																																																																																																																																
27	42	2000	800																																																																																																																																																																																
28	42	2000	800																																																																																																																																																																																
29	42	2000	800																																																																																																																																																																																
30	42	2000	800																																																																																																																																																																																
31	47	2200	600																																																																																																																																																																																
32	47	2200	600																																																																																																																																																																																
33	47	2200	600																																																																																																																																																																																
34	47	2200	600																																																																																																																																																																																
35	47	2200	600																																																																																																																																																																																
36	47	2200	600																																																																																																																																																																																
37	47	2200	800																																																																																																																																																																																
38	47	2200	800																																																																																																																																																																																
39	47	2200	800																																																																																																																																																																																
40	47	2200	800																																																																																																																																																																																
41	47	2200	800																																																																																																																																																																																
42	47	2200	800																																																																																																																																																																																
				RAL 7021 1 piece	1 piece	1 piece	1 piece																																																																																																																																																																												
1				27130-002																																																																																																																																																																															
2				27130-003																																																																																																																																																																															
3				-	27130-010	10713-550	23130-090																																																																																																																																																																												
4				-																																																																																																																																																																															
5				-																																																																																																																																																																															
6				-																																																																																																																																																																															
7				27130-004																																																																																																																																																																															
8				27130-005																																																																																																																																																																															
9				-	27130-010	10713-550	23130-090																																																																																																																																																																												
10				-																																																																																																																																																																															
11				27130-002	27130-010	10713-550	23130-090																																																																																																																																																																												
12				27130-003																																																																																																																																																																															
13				27130-004	27130-010	10713-550	23130-090																																																																																																																																																																												
14				21130-403																																																																																																																																																																															
15				27130-005	27130-010	10713-550	23130-090																																																																																																																																																																												
16				27130-003																																																																																																																																																																															
17				27130-004	27130-010	10713-550	23130-090																																																																																																																																																																												
18				27130-005																																																																																																																																																																															
19				27130-002																																																																																																																																																																															
20				27130-003																																																																																																																																																																															
21				-	27130-010	10713-550	23130-090																																																																																																																																																																												
22				-																																																																																																																																																																															
23				-																																																																																																																																																																															
24				-																																																																																																																																																																															
25				27130-004																																																																																																																																																																															
26				27130-005																																																																																																																																																																															
27				-	27130-010	10713-550	3130-090																																																																																																																																																																												
28				-																																																																																																																																																																															
29				-																																																																																																																																																																															
30				-																																																																																																																																																																															
31				27130-002																																																																																																																																																																															
32				27130-003																																																																																																																																																																															
33				-	27130-010	10713-550	23130-090																																																																																																																																																																												
34				-																																																																																																																																																																															
35				-																																																																																																																																																																															
36				-																																																																																																																																																																															
37				27130-004																																																																																																																																																																															
38				27130-005																																																																																																																																																																															
39				-	27130-010	10713-550	23130-090																																																																																																																																																																												
40				-																																																																																																																																																																															
41				-																																																																																																																																																																															
42				-																																																																																																																																																																															

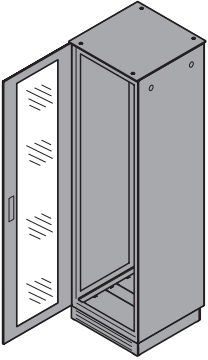
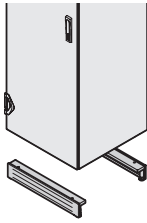
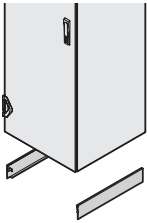
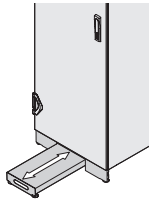
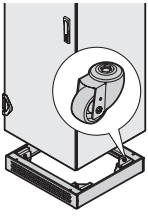
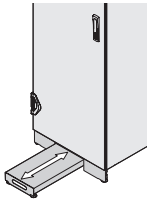
Varistar Electronics Cabinet

Base plate

No.	Cabinet dimensions			Base plate, multi-piece	Base plate			Base plate for lateral cable ducting			
	Height U mm	Width mm	Depth mm		Brush strip	Dust filter set	Cover plate	For cabinet width 600 mm	For cabinet width 800 mm	Brush strip	
	Completely in RAL 7021 (black grey)										
	Cabinet dimensions										
				RAL 7021				RAL 7021	RAL 7021		
				1 piece	1 piece	1 piece	1 piece	1 piece	1 piece	1 piece	
1	24	1200	600	600	23130-001				23130-378		23130-074
2	24	1200	600	800	23130-002				23130-353		23130-134
3	24	1200	600	900	23130-003				23130-354		23130-374
4	24	1200	600	1000	23130-004	23130-074	23130-075	23130-076	23130-355	-	23130-375
5	24	1200	600	1100	23130-358				23130-356		23130-376
6	24	1200	600	1200	23130-359				23130-357		23130-377
7	24	1200	800	600	23130-005					23130-378	23130-074
8	24	1200	800	800	23130-006	23130-134	23130-135	23130-136	-	23130-353	23130-134
9	24	1200	800	900	23130-007					23130-354	23130-374
10	24	1200	800	1000	23130-008					23130-355	23130-375
11	29	1400	600	600	23130-001	23130-074	23130-075	23130-076	23130-378	-	23130-074
12	29	1400	600	800	23130-002				23130-353		23130-134
13	29	1400	800	600	23130-005	23130-134	23130-135	23130-136	-	23130-378	23130-074
14	29	1400	800	800	23130-006					23130-353	23130-134
15	38	1800	600	600	23130-001	23130-074	23130-075	23130-076	23130-378	-	23130-074
16	38	1800	600	800	23130-002				23130-353		23130-134
17	38	1800	800	600	23130-005	23130-134	23130-135	23130-136	-	23130-378	23130-074
18	38	1800	800	800	23130-006					23130-353	23130-134
19	42	2000	600	600	23130-001				23130-378		23130-074
20	42	2000	600	800	23130-002				23130-353		23130-134
21	42	2000	600	900	23130-003				23130-354		23130-374
22	42	2000	600	1000	23130-004	23130-074	23130-075	23130-076	23130-355	-	23130-375
23	42	2000	600	1100	23130-358				23130-356		23130-376
24	42	2000	600	1200	23130-359				23130-357		23130-377
25	42	2000	800	600	23130-005					23130-378	23130-074
26	42	2000	800	800	23130-006	23130-134	23130-135	23130-136	-	23130-353	23130-134
27	42	2000	800	900	23130-007					23130-354	23130-374
28	42	2000	800	1000	23130-008					23130-355	23130-375
29	42	2000	800	1100	23130-360				23130-356		23130-376
30	42	2000	800	1200	23130-361				23130-357		23130-377
31	47	2200	600	600	23130-001	23130-074	23130-075	23130-076	23130-378		23130-074
32	47	2200	600	800	23130-002				23130-353		23130-134
33	47	2200	600	900	23130-003				23130-354		23130-374
34	47	2200	600	1000	23130-004	23130-074	23130-075	23130-076	23130-355	-	23130-375
35	47	2200	600	1100	23130-358				23130-356		23130-376
36	47	2200	600	1200	23130-359				23130-357		23130-377
37	47	2200	800	600	23130-005					23130-378	23130-074
38	47	2200	800	800	23130-006	23130-134	23130-135	23130-136	-	23130-353	23130-134
39	47	2200	800	900	23130-007					23130-354	23130-374
40	47	2200	800	1000	23130-008					23130-355	23130-375
41	47	2200	800	1100	23130-360				23130-356		23130-376
42	47	2200	800	1200	23130-361				23130-357		23130-377

Varistar Electronics Cabinet

Base/plinth

					Base/plinth			Mobile base/plinth																																																																																																																																																																													
					Ventilated base/plinth	Side covers	Telescopic tip-over protection	Mobile base/plinth	Telescopic tip-over protection																																																																																																																																																																												
 <p>Completely in RAL 7021 (black grey)</p> <p>Cabinet dimensions</p> <table border="1"> <thead> <tr> <th>No.</th> <th>Height U</th> <th>Width mm</th> <th>Depth mm</th> </tr> </thead> <tbody> <tr><td>1</td><td>24</td><td>1200</td><td>600</td></tr> <tr><td>2</td><td>24</td><td>1200</td><td>600</td></tr> <tr><td>3</td><td>24</td><td>1200</td><td>600</td></tr> <tr><td>4</td><td>24</td><td>1200</td><td>600</td></tr> <tr><td>5</td><td>24</td><td>1200</td><td>600</td></tr> <tr><td>6</td><td>24</td><td>1200</td><td>600</td></tr> <tr><td>7</td><td>24</td><td>1200</td><td>800</td></tr> <tr><td>8</td><td>24</td><td>1200</td><td>800</td></tr> <tr><td>9</td><td>24</td><td>1200</td><td>800</td></tr> <tr><td>10</td><td>24</td><td>1200</td><td>800</td></tr> <tr><td>11</td><td>29</td><td>1400</td><td>600</td></tr> <tr><td>12</td><td>29</td><td>1400</td><td>600</td></tr> <tr><td>13</td><td>29</td><td>1400</td><td>600</td></tr> <tr><td>14</td><td>29</td><td>1400</td><td>800</td></tr> <tr><td>15</td><td>38</td><td>1800</td><td>600</td></tr> <tr><td>16</td><td>38</td><td>1800</td><td>600</td></tr> <tr><td>17</td><td>38</td><td>1800</td><td>600</td></tr> <tr><td>18</td><td>38</td><td>1800</td><td>800</td></tr> <tr><td>19</td><td>42</td><td>2000</td><td>600</td></tr> <tr><td>20</td><td>42</td><td>2000</td><td>600</td></tr> <tr><td>21</td><td>42</td><td>2000</td><td>600</td></tr> <tr><td>22</td><td>42</td><td>2000</td><td>600</td></tr> <tr><td>23</td><td>42</td><td>2000</td><td>600</td></tr> <tr><td>24</td><td>42</td><td>2000</td><td>600</td></tr> <tr><td>25</td><td>42</td><td>2000</td><td>800</td></tr> <tr><td>26</td><td>42</td><td>2000</td><td>800</td></tr> <tr><td>27</td><td>42</td><td>2000</td><td>800</td></tr> <tr><td>28</td><td>42</td><td>2000</td><td>800</td></tr> <tr><td>29</td><td>42</td><td>2000</td><td>800</td></tr> <tr><td>30</td><td>42</td><td>2000</td><td>800</td></tr> <tr><td>31</td><td>47</td><td>2200</td><td>600</td></tr> <tr><td>32</td><td>47</td><td>2200</td><td>600</td></tr> <tr><td>33</td><td>47</td><td>2200</td><td>600</td></tr> <tr><td>34</td><td>47</td><td>2200</td><td>600</td></tr> <tr><td>35</td><td>47</td><td>2200</td><td>600</td></tr> <tr><td>36</td><td>47</td><td>2200</td><td>600</td></tr> <tr><td>37</td><td>47</td><td>2200</td><td>800</td></tr> <tr><td>38</td><td>47</td><td>2200</td><td>800</td></tr> <tr><td>39</td><td>47</td><td>2200</td><td>800</td></tr> <tr><td>40</td><td>47</td><td>2200</td><td>800</td></tr> <tr><td>41</td><td>47</td><td>2200</td><td>800</td></tr> <tr><td>42</td><td>47</td><td>2200</td><td>800</td></tr> </tbody> </table>					No.	Height U	Width mm	Depth mm	1	24	1200	600	2	24	1200	600	3	24	1200	600	4	24	1200	600	5	24	1200	600	6	24	1200	600	7	24	1200	800	8	24	1200	800	9	24	1200	800	10	24	1200	800	11	29	1400	600	12	29	1400	600	13	29	1400	600	14	29	1400	800	15	38	1800	600	16	38	1800	600	17	38	1800	600	18	38	1800	800	19	42	2000	600	20	42	2000	600	21	42	2000	600	22	42	2000	600	23	42	2000	600	24	42	2000	600	25	42	2000	800	26	42	2000	800	27	42	2000	800	28	42	2000	800	29	42	2000	800	30	42	2000	800	31	47	2200	600	32	47	2200	600	33	47	2200	600	34	47	2200	600	35	47	2200	600	36	47	2200	600	37	47	2200	800	38	47	2200	800	39	47	2200	800	40	47	2200	800	41	47	2200	800	42	47	2200	800	 <p>01004053</p> <p>Support with adjustable feet and 2 perforated trims, static load-carrying capacity 2200 lbs, please order side trims separately</p> <p>RAL 7021 1 kit</p>	 <p>01004053</p> <p>St, 1.5 mm</p> <p>RAL 7021 1 pair</p>	 <p>01006055</p> <p>St, 2 mm, for retrofitting to the base, incl. cover strip</p> <p>RAL 7021 1 piece</p>	 <p>Support, St, 3 mm, trim, St, 1.5 mm, load-carrying capacity on casters 900 lbs, on adjustable feet 2200 lbs</p> <p>RAL 7021 1 piece</p>	 <p>01006055</p> <p>St, 2 mm, for retrofitting to the base, incl. cover strip</p> <p>RAL 7021 1 piece</p>
					No.	Height U	Width mm	Depth mm																																																																																																																																																																													
1	24	1200	600																																																																																																																																																																																		
2	24	1200	600																																																																																																																																																																																		
3	24	1200	600																																																																																																																																																																																		
4	24	1200	600																																																																																																																																																																																		
5	24	1200	600																																																																																																																																																																																		
6	24	1200	600																																																																																																																																																																																		
7	24	1200	800																																																																																																																																																																																		
8	24	1200	800																																																																																																																																																																																		
9	24	1200	800																																																																																																																																																																																		
10	24	1200	800																																																																																																																																																																																		
11	29	1400	600																																																																																																																																																																																		
12	29	1400	600																																																																																																																																																																																		
13	29	1400	600																																																																																																																																																																																		
14	29	1400	800																																																																																																																																																																																		
15	38	1800	600																																																																																																																																																																																		
16	38	1800	600																																																																																																																																																																																		
17	38	1800	600																																																																																																																																																																																		
18	38	1800	800																																																																																																																																																																																		
19	42	2000	600																																																																																																																																																																																		
20	42	2000	600																																																																																																																																																																																		
21	42	2000	600																																																																																																																																																																																		
22	42	2000	600																																																																																																																																																																																		
23	42	2000	600																																																																																																																																																																																		
24	42	2000	600																																																																																																																																																																																		
25	42	2000	800																																																																																																																																																																																		
26	42	2000	800																																																																																																																																																																																		
27	42	2000	800																																																																																																																																																																																		
28	42	2000	800																																																																																																																																																																																		
29	42	2000	800																																																																																																																																																																																		
30	42	2000	800																																																																																																																																																																																		
31	47	2200	600																																																																																																																																																																																		
32	47	2200	600																																																																																																																																																																																		
33	47	2200	600																																																																																																																																																																																		
34	47	2200	600																																																																																																																																																																																		
35	47	2200	600																																																																																																																																																																																		
36	47	2200	600																																																																																																																																																																																		
37	47	2200	800																																																																																																																																																																																		
38	47	2200	800																																																																																																																																																																																		
39	47	2200	800																																																																																																																																																																																		
40	47	2200	800																																																																																																																																																																																		
41	47	2200	800																																																																																																																																																																																		
42	47	2200	800																																																																																																																																																																																		
1	24	1200	600	600	23130-187	23130-169	-	23130-208	-																																																																																																																																																																												
2	24	1200	600	800		23130-170	-	23130-209	-																																																																																																																																																																												
3	24	1200	600	900		23130-171	23130-345	23130-210	23130-345																																																																																																																																																																												
4	24	1200	600	1000		23130-172	23130-346	23130-211	23130-346																																																																																																																																																																												
5	24	1200	600	1100		23130-362	23130-347	23130-368	23130-347																																																																																																																																																																												
6	24	1200	600	1200		23130-363	23130-348	23130-369	23130-348																																																																																																																																																																												
7	24	1200	800	600	23130-194	23130-169	-	23130-212	-																																																																																																																																																																												
8	24	1200	800	800		23130-170	-	23130-213	-																																																																																																																																																																												
9	24	1200	800	900		23130-171	23130-349	23130-214	23130-349																																																																																																																																																																												
10	24	1200	800	1000		23130-172	23130-350	23130-215	23130-350																																																																																																																																																																												
11	29	1400	600	600	23130-187	23130-169	-	23130-208	-																																																																																																																																																																												
12	29	1400	600	800		23130-170	-	23130-209	-																																																																																																																																																																												
13	29	1400	800	600	23130-194	23130-169	-	23130-212	-																																																																																																																																																																												
14	29	1400	800	800		23130-170	-	23130-213	-																																																																																																																																																																												
15	38	1800	600	600	23130-187	23130-169	-	23130-208	-																																																																																																																																																																												
16	38	1800	600	800		23130-170	-	23130-209	-																																																																																																																																																																												
17	38	1800	800	600	23130-194	23130-169	-	23130-212	-																																																																																																																																																																												
18	38	1800	800	800		23130-170	-	23130-213	-																																																																																																																																																																												
19	42	2000	600	600	23130-187	23130-169	-	23130-208	-																																																																																																																																																																												
20	42	2000	600	800		23130-170	-	23130-209	-																																																																																																																																																																												
21	42	2000	600	900		23130-171	23130-345	23130-210	23130-345																																																																																																																																																																												
22	42	2000	600	1000		23130-172	23130-346	23130-211	23130-346																																																																																																																																																																												
23	42	2000	600	1100		23130-362	23130-347	23130-368	23130-347																																																																																																																																																																												
24	42	2000	600	1200		23130-363	23130-348	23130-369	23130-348																																																																																																																																																																												
25	42	2000	800	600	23130-194	23130-169	-	23130-212	-																																																																																																																																																																												
26	42	2000	800	800		23130-170	-	23130-213	-																																																																																																																																																																												
27	42	2000	800	900		23130-171	23130-349	23130-214	23130-349																																																																																																																																																																												
28	42	2000	800	1000		23130-172	23130-350	23130-215	23130-350																																																																																																																																																																												
29	42	2000	800	1100		23130-362	23130-351	23130-370	23130-351																																																																																																																																																																												
30	42	2000	800	1200		23130-363	23130-352	23130-371	23130-352																																																																																																																																																																												
31	47	2200	600	600	23130-187	23130-169	-	23130-208	-																																																																																																																																																																												
32	47	2200	600	800		23130-170	-	23130-209	-																																																																																																																																																																												
33	47	2200	600	900		23130-171	23130-345	23130-210	23130-345																																																																																																																																																																												
34	47	2200	600	1000		23130-172	23130-346	23130-211	23130-346																																																																																																																																																																												
35	47	2200	600	1100		23130-362	23130-347	23130-368	23130-347																																																																																																																																																																												
36	47	2200	600	1200		23130-363	23130-348	23130-369	23130-348																																																																																																																																																																												
37	47	2200	800	600	23130-194	23130-169	-	23130-212	-																																																																																																																																																																												
38	47	2200	800	800		23130-170	-	23130-213	-																																																																																																																																																																												
39	47	2200	800	900		23130-171	23130-349	23130-214	23130-349																																																																																																																																																																												
40	47	2200	800	1000		23130-172	23130-350	23130-215	23130-350																																																																																																																																																																												
41	47	2200	800	1100		23130-362	23130-351	23130-370	23130-351																																																																																																																																																																												
42	47	2200	800	1200		23130-363	23130-352	23130-371	23130-352																																																																																																																																																																												


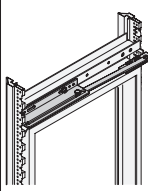
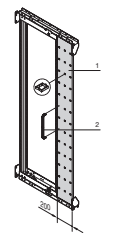
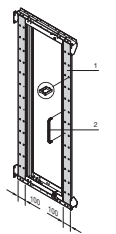
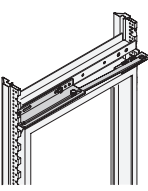
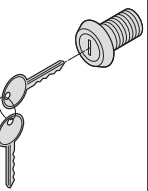
Varistar Electronics Cabinet

19" panel/slide mounts

No.	Cabinet dimensions			Dimension Standard assembly		19" panel/slide mounts EIA		U height identification strip for 19" panel/slide mount	19" assembly kit M6	Adapter bracket for 19" width	Adapter bracket for 23" width	Depth member
	Height U	Width mm	Depth mm	x_f mm	c mm	Painted RAL 7021	AlZn	00505050	sc128	01004128	01004056	
	mm	mm	mm	mm	mm	1 pair	1 pair	4 pieces	50 pieces	4 pieces	4 pieces	1 pair
1	24	1200	600	600	50							23130-081
2	24	1200	600	800	150							23130-082
3	24	1200	600	900	70							23130-083
4	24	1200	600	1000	70	23130-011	23130-031	25127-997	21101-809	-	-	23130-084
5	24	1200	600	1100	70							23130-364
6	24	1200	600	1200	70							23130-365
7	24	1200	800	600	50							23130-081
8	24	1200	800	800	150	23130-011	23130-031	25127-997	21101-809	23130-091	27130-054	23130-082
9	24	1200	800	900	70							23130-083
10	24	1200	800	1000	70							23130-084
11	29	1400	600	600	50							23130-081
12	29	1400	600	800	150	23130-012	23130-032	25127-997	21101-809	-	-	23130-082
13	29	1400	800	600	50							23130-081
14	29	1400	800	800	150	23130-012	23130-032	25127-997	21101-809	23130-091	27130-054	23130-082
15	38	1800	600	600	50							23130-081
16	38	1800	600	800	150	23130-014	23130-034	25127-997	21101-809	-	-	23130-082
17	38	1800	800	600	50							23130-081
18	38	1800	800	800	150	23130-014	23130-034	25127-997	21101-809	23130-091	27130-054	23130-082
19	42	2000	600	600	50							23130-081
20	42	2000	600	800	150							23130-082
21	42	2000	600	900	70							23130-083
22	42	2000	600	1000	70	23130-015	23130-035	25127-997	21101-809	-	-	23130-084
23	42	2000	600	1100	70							23130-364
24	42	2000	600	1200	70							23130-365
25	42	2000	800	600	50							23130-081
26	42	2000	800	800	150							23130-082
27	42	2000	800	900	70							23130-083
28	42	2000	800	1000	70	23130-015	23130-035	25127-997	21101-809	23130-091	27130-054	23130-084
29	42	2000	800	1100	70							23130-364
30	42	2000	800	1200	70							23130-365
31	47	2200	600	600	50							23130-081
32	47	2200	600	800	150							23130-082
33	47	2200	600	900	70							23130-083
34	47	2200	600	1000	70	23130-016	23130-036	25127-997	21101-809	-	-	23130-084
35	47	2200	600	1100	70							23130-364
36	47	2200	600	1200	70							23130-365
37	47	2200	800	600	50							23130-081
38	47	2200	800	800	150							23130-082
39	47	2200	800	900	70							23130-083
40	47	2200	800	1000	70	23130-016	23130-036	25127-997	21101-809	23130-091	27130-054	23130-084
41	47	2200	800	1100	70							23130-364
42	47	2200	800	1200	70							23130-365

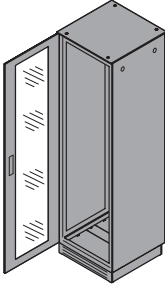
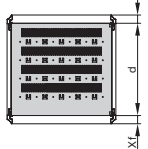
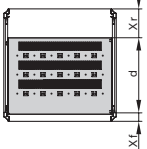
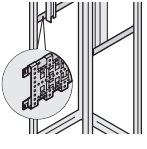
Varistar Electronics Cabinet

Swing frame

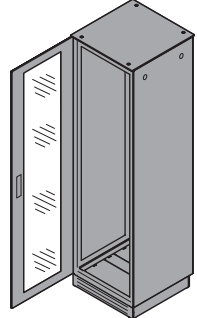
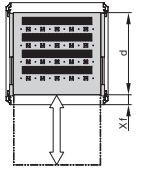
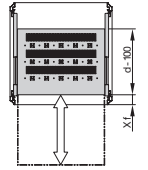
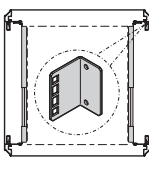
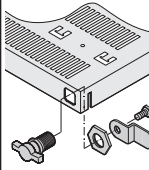
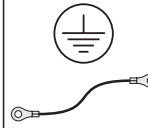
No.	Completely in RAL 7021 (black grey) Cabinet dimensions			Swing frame	Stop 120°	Swing frame panel		Door opening 160°		Safety lock															
	Height	Width	Depth			Asymmetrical assembly	Symmetrical assembly	Hinge 160°	Stop 160°																
											U	mm	mm	mm	mm	mm	mm	mm	mm						
1	24	1200	600	600	 St, 2 mm, load-carrying capacity: 330 lbs, 120° hinge, square locks incl. 2 keys 01005070 RAL 7021 1 piece	 St, RAL, swing frame stop is recommended for security reasons 01005061 RAL 7021 1 kit	 St, 1.5 mm, cover (item 1, width 1 x 200 mm) incl. handle (item 2) and cut-out for cable eyes 01005058 RAL 7021 1 piece	 St, 1.5 mm, cover (item 1, width 1 x 200 mm) incl. handle (item 2) and cut-out for cable eyes 01005057 RAL 7021 2 pieces	Is screwed to the swing frame in place of the 120° hinge 2 pieces	 St, RAL, usable only in connection with 160° hinge, swing frame stop is recommended for security reasons 01005061 RAL 7021 1 kit	 For swing frame, instead of square locking, incl. 2 keys 41001517 1 piece														
2	24	1200	600	800								21130-413	23130-158	-	-	23130-160	23130-159	60113-267							
3	24	1200	600	900																					
4	24	1200	600	1000																					
5	24	1200	600	1100																					
6	24	1200	600	1200																					
7	24	1200	800	600																					
8	24	1200	800	800															21130-423	23130-158	21130-432	21130-442	23130-160	23130-159	60113-267
9	24	1200	800	900																					
10	24	1200	800	1000																					
11	29	1400	600	600	21130-414	23130-158	-	-	23130-160	23130-159	60113-267														
12	29	1400	600	800																					
13	29	1400	800	600																					
14	29	1400	800	800																					
15	38	1800	600	600								21130-424	23130-158	21130-433	21130-443	23130-160	23130-159	60113-267							
16	38	1800	600	800																					
17	38	1800	800	600																					
18	38	1800	800	800																					
19	42	2000	600	600															21130-416	23130-158	-	-	23130-160	23130-159	60113-267
20	42	2000	600	800																					
21	42	2000	600	900																					
22	42	2000	600	1000																					
23	42	2000	600	1100																					
24	42	2000	600	1200																					
25	42	2000	800	600	21130-426	23130-158	21130-435	21130-445	23130-160	23130-159	60113-267														
26	42	2000	800	800																					
27	42	2000	800	900																					
28	42	2000	800	1000																					
29	42	2000	800	1100																					
30	42	2000	800	1200																					
31	47	2200	600	600								21130-417	23130-158	-	-	23130-160	23130-159	60113-267							
32	47	2200	600	800																					
33	47	2200	600	900																					
34	47	2200	600	1000																					
35	47	2200	600	1100																					
36	47	2200	600	1200																					
37	47	2200	800	600	21130-427	23130-158	21130-436	21130-446	23130-160	23130-159	60113-267														
38	47	2200	800	800																					
39	47	2200	800	900																					
40	47	2200	800	1000																					
41	47	2200	800	1100																					
42	47	2200	800	1200																					
31	47	2200	600	600								21130-418	23130-158	-	-	23130-160	23130-159	60113-267							
32	47	2200	600	800																					
33	47	2200	600	900																					
34	47	2200	600	1000																					
35	47	2200	600	1100																					
36	47	2200	600	1200																					
37	47	2200	800	600	21130-428	23130-158	21130-437	21130-447	23130-160	23130-159	60113-267														
38	47	2200	800	800																					
39	47	2200	800	900																					
40	47	2200	800	1000																					
41	47	2200	800	1100																					
42	47	2200	800	1200																					

Varistar Electronics Cabinet

Stationary shelf

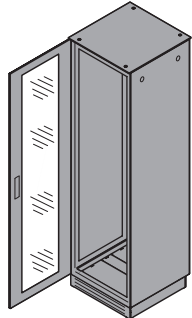
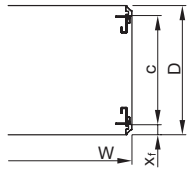
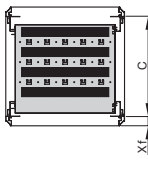
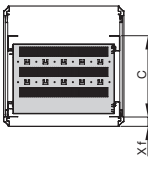
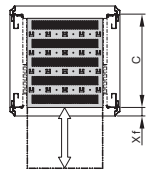
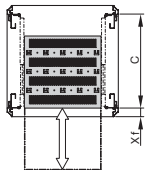
 <p>Completely in RAL 7021 (black grey)</p>	Stationary shelf			
	<p>Full depth</p>  <p>01004142</p> <p>St, 1.5 mm, static load-carrying capacity 165 lbs, 1 U, incl. GND/earthing</p>	<p>Shortened by 100 mm</p>  <p>01004143</p> <p>St, 1.5 mm, static load-carrying capacity 165 lbs, 1 U, incl. GND/earthing, please order depth member separately</p>	<p>Depth member 3 rows</p>  <p>01004056</p> <p>St, 1.5 mm, necessary for reduced shelf</p>	
<p>Width mm</p> <p>Depth mm</p>	<p>RAL 7021 1 piece assembled</p>	<p>RAL 7021 1 piece assembled</p>	<p>AlZn 1 pair assembled</p>	
600	600	21130-323	21130-322	23130-081
600	800	21130-325	21130-324	23130-082
600	900	21130-326	-	-
600	1000	21130-327	-	-
600	1100	21130-550	-	-
600	1200	21130-551	-	-
800	600	21130-333	21130-332	23130-081
800	800	21130-335	21130-334	23130-082
800	900	21130-336	-	-
800	1000	21130-337	-	-
800	1100	21130-552	-	-
800	1200	21130-553	-	-

Telescopic shelf

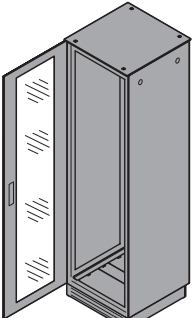
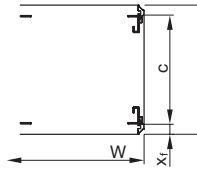
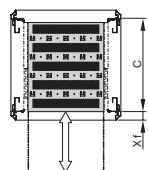
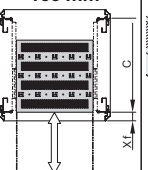
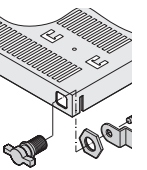
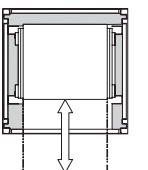
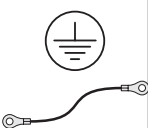
 <p>Completely in RAL 7021 (black grey)</p>	Telescopic shelf, 2 U					
	<p>Full depth</p>  <p>01004144</p> <p>St, 1.5 mm, static load-carrying capacity 150/110 lbs (width 600/800 mm), incl. telescopic slide, please order mounting bracket separately</p>	<p>Shortened by 100 mm</p>  <p>01004145</p> <p>St, 1.5 mm, static load-carrying capacity 150/110 lbs (width 600/800 mm), incl. telescopic slide, please order mounting bracket separately</p>	<p>Mounting bracket</p>  <p>01005054</p> <p>Mounting bracket, St, AlZn</p>	<p>T-bar lock</p>  <p>01004125</p> <p>To lock the telescopic shelf</p>	<p>GND/earthing</p>  <p>05904052</p> <p>For telescopic shelf</p>	
<p>Width mm</p> <p>Depth mm</p>	<p>RAL 7021 1 piece assembled</p>	<p>RAL 7021 1 piece assembled</p>	<p>4 pieces assembled</p>	<p>1 piece assembled</p>	<p>1 piece assembled</p>	
600	600	21130-353	21130-352	23130-274	23130-092	23130-140
600	800	21130-355	21130-354			
600	900	-	-			
600	1000	-	-			
600	1200	-	-			
800	600	21130-373	21130-372	23130-274	23130-092	23130-140
800	800	21130-375	21130-374			
800	900	-	-			
800	1000	-	-			
800	1200	-	-			

Varistar Electronics Cabinet

19" shelf, stationary or telescopic, 1 U

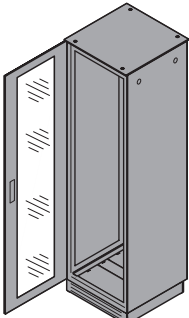
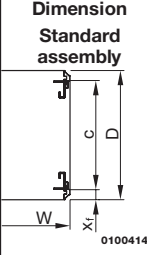
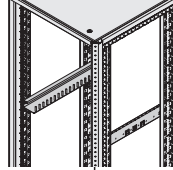
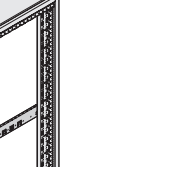
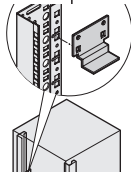
 <p>Completely in RAL 7021 (black grey)</p>	<p>Dimension Standard assembly</p>  <p>x_f = distance from front c = pitch of 19" panel/slide mounts D = cabinet depth W = cabinet width</p>		<p>19" stationary shelf, 1 U</p> <p>Full depth</p>  <p>Shortened, by 100 mm</p> 		<p>19" telescopic shelf, 1 U, 65 lbs</p> <p>Full depth</p>  <p>Shortened by 100 mm</p> 		
	<p>01004146</p> <p>01004118</p> <p>01004119</p> <p>01004123</p> <p>01004122</p>	<p>St, 1.5 mm, static load-carrying capacity 165 lbs, incl. GND/earthing</p>	<p>St, 1.5 mm, static load-carrying capacity 165 lbs, incl. GND/earthing</p>	<p>St, 1.5 mm, static load-carrying capacity 65 lbs, incl. telescopic slide, please order GND/earthing kit separately</p>	<p>Width mm</p> <p>Depth mm</p> <p>x_f mm</p> <p>c mm</p>	<p>RAL 7021 1 piece</p> <p>RAL 7021 1 piece</p> <p>RAL 7021 1 piece</p> <p>RAL 7021 1 piece</p>	<p>RAL 7021 1 piece</p> <p>RAL 7021 1 piece</p> <p>RAL 7021 1 piece</p> <p>RAL 7021 1 piece</p>
600	600	50	500	21130-303	21130-302	21130-343	21130-342
600	800	150	500	21130-305	21130-304	21130-345	21130-343
600	900	70	740	21130-309	-	-	-
600	1000	70	740	-	-	-	-
600	1100	70	740	-	-	-	-
600	1200	70	740	-	-	-	-
800	600	50	500	21130-303	21130-302	21130-343	21130-342
800	800	150	500	21130-305	21130-304	21130-345	21130-343
800	900	70	740	21130-309	-	-	-
800	1000	70	740	-	-	-	-
800	1100	70	740	-	-	-	-
800	1200	70	740	-	-	-	-

19" telescopic shelf, 2 U

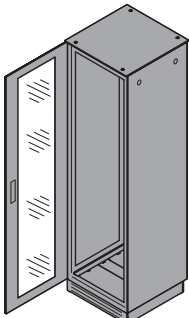
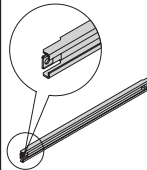
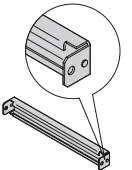
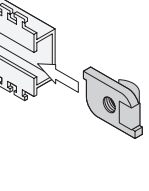
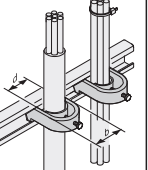
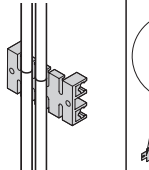
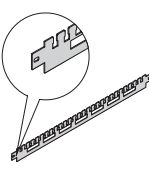
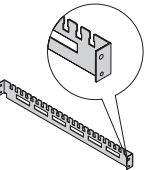
 <p>Completely in RAL 7021 (black grey)</p>	<p>Dimension Standard assembly</p>  <p>x_f = distance from front c = pitch of 19" panel/slide mounts D = cabinet depth W = cabinet width</p>		<p>19" telescopic shelf, 2 U, 150 lbs</p> <p>Full depth</p>  <p>Shortened by 100 mm</p> 		<p>T-bar lock</p>  <p>To lock the telescopic shelf</p>	<p>19" telescopic shelf, 2 U, 330 lbs</p> 	<p>GND/earthing</p>  <p>For telescopic shelf</p>
	<p>01004146</p> <p>01004123</p> <p>01004122</p> <p>01004125</p> <p>01004066</p> <p>05904052</p>	<p>St, 1.5 mm, static load-carrying capacity 150 lbs, incl. telescopic slide, please order T-bar lock and GND/earthing kit separately</p>	<p>St, 1.5 mm, static load-carrying capacity 150 lbs, incl. telescopic slide, please order T-bar lock and GND/earthing kit separately</p>	<p>St, 1.5 mm, static load-carrying capacity 330 lbs, incl. telescopic slide rails and T-bar lock, please order GND/earthing kit separately</p>	<p>Width mm</p> <p>Depth mm</p> <p>x_f mm</p> <p>c mm</p>	<p>RAL 7021 1 piece</p> <p>RAL 7021 1 piece</p> <p>1 piece</p> <p>RAL 7021 1 piece</p>	<p>1 kit</p>
600	600	50	500	21130-353	21130-352	-	-
600	800	150	500	21130-355	21130-354	-	-
600	900	70	740	-	-	23130-092	28127-241
600	1000	70	740	-	-	-	28127-241
600	1100	70	740	-	-	-	28127-241
600	1200	70	740	-	-	-	28127-241
800	600	50	500	21130-353	21130-352	-	-
800	800	150	500	21130-355	21130-354	-	-
800	900	70	740	-	-	23130-092	28127-241
800	1000	70	740	-	-	-	28127-241
800	1100	70	740	-	-	-	28127-241
800	1200	70	740	-	-	-	28127-241

Varistar Electronics Cabinet

Slide rails

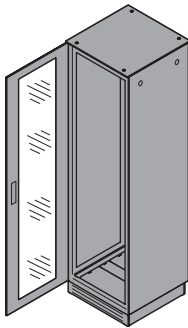
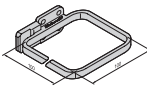
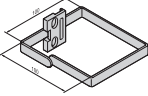
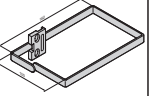
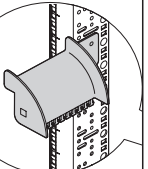
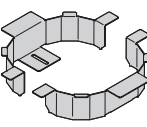
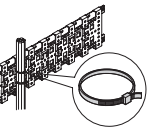
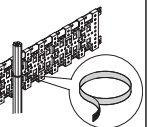
 <p>Completely in RAL 7021 (black grey)</p>	<p>Dimension Standard assembly</p>  <p>x_f = distance from front c = pitch of 19" panel/slide mounts D = cabinet depth W = cabinet width</p>	<p>Slide rail</p>				<p>Short slide rail</p>			
		<p>55 lbs</p>  <p>St, 1.5 mm, AlZn, static load-carrying capacity 55 lbs/pair</p>		<p>220 lbs</p>  <p>St, 2.5 mm, Al-Zn, static load-carrying capacity 220 lbs/pair</p>		 <p>St, 1.5 mm, Al-Zn, static load-carrying capacity 30 lbs/pair</p>			
<p>Width mm</p>	<p>Depth mm</p>	<p>x_f mm</p>	<p>c mm</p>	<p>AlZn 2 pieces</p>	<p>AlZn 10 pieces</p>	<p>zinc-plated 2 pieces</p>	<p>zinc-plated 10 pieces</p>	<p>AlZn 2 pieces</p>	<p>AlZn 10 pieces</p>
600	600	50	500	23130-096	23130-101	23130-118	23130-123	23130-094	23130-095
600	800	150	500	23130-097	23130-102	23130-119	23130-124		
600	900	70	740	23130-098	23130-103	23130-120	23130-125		
600	1000	70	740	-	-	-	-		
600	1100	70	740	-	-	-	-		
600	1200	70	740	-	-	-	-		
800	600	50	500	23130-096	23130-101	23130-118	23130-123	23130-094	23130-095
800	800	150	500	23130-097	23130-102	23130-119	23130-124		
800	900	70	740	23130-098	23130-103	23130-120	23130-125		
800	1000	70	740	-	-	-	-		
800	1100	70	740	-	-	-	-		
800	1200	70	740	-	-	-	-		

Cable management with C-profiles, cable retention rails

 <p>Completely in RAL 7021 (black grey)</p>	<p>Cable ducting with C-profile</p>					<p>Cable support rail</p>		
	<p>C-rail for cabinet depth</p>  <p>St, 1.5 mm, AlZn</p>	<p>C-rail for cabinet width</p>  <p>Plastic, PA6, black, with support brackets, AlZn</p>	<p>Slide nut</p>  <p>For C-rail</p>	<p>Cable shell</p>  <p>For C-rail or for cable support rail, for cable bundles of 42 ... 46 mm</p>	<p>Cable support rail for C-rail</p>  <p>PA, UL 94 V-0, black, assembly by clipping onto the C-rail</p>	<p>For cabinet depth</p>  <p>St, 1.5 mm</p>	<p>For cabinet width</p>  <p>Plastic, PA6, black, with support brackets, AlZn</p>	
<p>Width mm</p>	<p>Depth mm</p>	<p>AlZn 2 pieces</p>	<p>AlZn 2 pieces</p>	<p>10 pieces</p>	<p>10 pieces</p>	<p>5 pieces</p>	<p>RAL 7021 2 pieces</p>	<p>RAL 7021 2 pieces</p>
600	600	23130-086	23130-333	21120-140	20114-731	60118-472	23130-326	21236-093
600	800	23130-087					23130-328	
600	900	23130-088					23130-329	
600	1000	23130-089					23130-330	
600	1100	23130-366					23130-331	
600	1200	23130-367					23130-332	
800	600	23130-086	23130-334	21120-140	20114-731	60118-472	23130-326	23130-312
800	800	23130-087					23130-328	
800	900	23130-088					23130-329	
800	1000	23130-089					23130-330	
800	1100	23130-366					23130-331	
800	1200	23130-367					23130-332	

Varistar Electronics Cabinet

Accessories for cabling

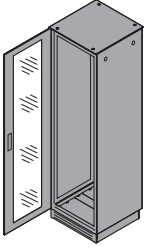
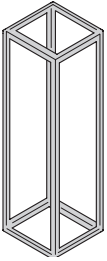
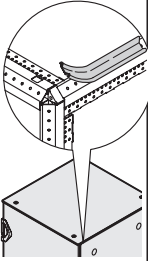
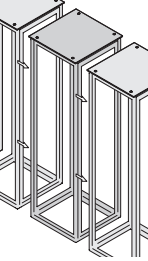
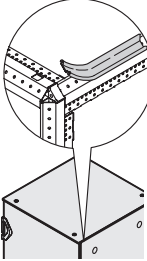
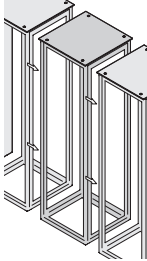
 <p>Completely in RAL 7021 (black grey)</p>	<p>Cable bracket</p>			<p>Fiber optic cable bracket</p>	<p>Tray for excess cable lengths</p>	<p>Cable tie</p>	<p>Velcro</p>	
	<p>Plastic 100 x 100 mm</p>  <p>01006079 Plastic, PA6, black, to click onto the frame</p>	<p>Steel 100 x 100 mm</p>  <p>01006081 St, zinc-plated, to screw onto frame or 19" panel/ slide mount</p>	<p>Steel 100 x 180 mm</p>  <p>01006098 St, zinc-plated, to screw onto frame or 19" panel/ slide mount</p>	 <p>01006074 Plastic, PA6, black, with support brackets, AlZn</p>	 <p>01006113 For assembly on shelf or depth member</p>	 <p>01005078 Plastic, 92 mm x 2.5 mm</p>	 <p>01005079 Black, length 300 mm</p>	
<p>Width mm</p>	<p>Depth mm</p>	<p>4 pieces</p>	<p>4 pieces</p>	<p>4 pieces</p>	<p>2 pieces</p>	<p>2 pieces</p>	<p>25 pieces</p>	<p>10 pieces</p>
600	600							
600	800							
600	900	-	-	-	-	23130-050	20118-351	20118-624
600	1000							
600	1100							
600	1200							
800	600							
800	800							
800	900	23130-336	23130-341	23130-342	23130-372	23130-050	20118-351	20118-624
800	1000							
800	1100							
800	1200							



For further information www.schroff.us/oneclick
oneClick code = Order no.

Varistar Electronics Cabinet

Varistar EMC & IP55 frame, side-by-side mounting kits

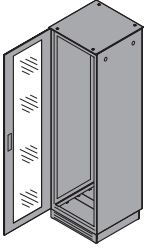
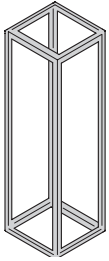
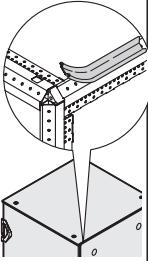
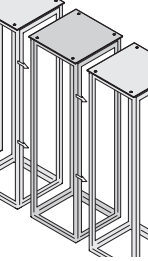
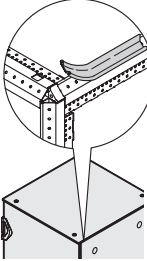
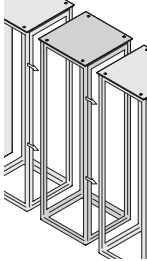
 <p>Completely in RAL 7021 (black grey)</p>				<p>Heavy-Duty 1800 lbs</p>  <p>01004078</p>	<p>IP 55 gasket kit</p>  <p>01004157</p>	<p>Side-by-side mounting kit IP 55</p>  <p>01004120</p>	<p>EMC gasketing kit</p>  <p>01004157</p>	<p>Side-by-side mounting kit EMC</p>  <p>01004120</p>																																																																											
				<p>Static load-carrying capacity: 1800 lbs, St, 1.5 mm, zinc-plated, with central GND/earthing point, please order adjustable feet or casters separately</p>	<p>Seals are glued to the frame, so that all cladding parts conform to protection type IP 55</p>	<p>Gaskets are glued to the frame, through which all the following cover parts are conductively linked</p>																																																																													
<p>Cabinet dimensions</p> <table border="1"> <thead> <tr> <th>No.</th> <th>U</th> <th>Height mm</th> <th>Width mm</th> <th>Depth mm</th> </tr> </thead> <tbody> <tr><td>1</td><td>29</td><td>1400</td><td>600</td><td>600</td></tr> <tr><td>2</td><td>29</td><td>1400</td><td>600</td><td>800</td></tr> <tr><td>3</td><td>33</td><td>1600</td><td>600</td><td>600</td></tr> <tr><td>4</td><td>33</td><td>1600</td><td>600</td><td>800</td></tr> <tr><td>5</td><td>38</td><td>1800</td><td>600</td><td>600</td></tr> <tr><td>6</td><td>38</td><td>1800</td><td>600</td><td>800</td></tr> <tr><td>7</td><td>38</td><td>1800</td><td>800</td><td>600</td></tr> <tr><td>9</td><td>42</td><td>2000</td><td>600</td><td>600</td></tr> <tr><td>10</td><td>42</td><td>2000</td><td>600</td><td>800</td></tr> <tr><td>11</td><td>42</td><td>2000</td><td>800</td><td>600</td></tr> <tr><td>12</td><td>42</td><td>2000</td><td>800</td><td>800</td></tr> <tr><td>14</td><td>47</td><td>2200</td><td>600</td><td>600</td></tr> <tr><td>15</td><td>47</td><td>2200</td><td>600</td><td>800</td></tr> <tr><td>16</td><td>47</td><td>2200</td><td>800</td><td>800</td></tr> </tbody> </table>				No.	U	Height mm	Width mm	Depth mm	1	29	1400	600	600	2	29	1400	600	800	3	33	1600	600	600	4	33	1600	600	800	5	38	1800	600	600	6	38	1800	600	800	7	38	1800	800	600	9	42	2000	600	600	10	42	2000	600	800	11	42	2000	800	600	12	42	2000	800	800	14	47	2200	600	600	15	47	2200	600	800	16	47	2200	800	800	<p>1 piece</p>	<p>1 kit</p>	<p>1 kit</p>	<p>1 kit</p>	<p>1 kit</p>
No.	U	Height mm	Width mm	Depth mm																																																																															
1	29	1400	600	600																																																																															
2	29	1400	600	800																																																																															
3	33	1600	600	600																																																																															
4	33	1600	600	800																																																																															
5	38	1800	600	600																																																																															
6	38	1800	600	800																																																																															
7	38	1800	800	600																																																																															
9	42	2000	600	600																																																																															
10	42	2000	600	800																																																																															
11	42	2000	800	600																																																																															
12	42	2000	800	800																																																																															
14	47	2200	600	600																																																																															
15	47	2200	600	800																																																																															
16	47	2200	800	800																																																																															
<p>Completely in RAL 7021</p>				<p>RAL 7021</p>																																																																															
1	29	1400	600	600	20130-055	23130-064	23130-062	23130-065	23130-063																																																																										
2	29	1400	600	800	20130-056																																																																														
3	33	1600	600	600	20130-059	23130-064	23130-062	23130-065	23130-063																																																																										
4	33	1600	600	800	20130-060																																																																														
5	38	1800	600	600	20130-063																																																																														
6	38	1800	600	800	20130-064	23130-064	23130-062	23130-065	23130-063																																																																										
7	38	1800	800	600	20130-065																																																																														
9	42	2000	600	600	20130-068	23130-064	23130-062	23130-065	23130-063																																																																										
10	42	2000	600	800	20130-069																																																																														
11	42	2000	800	600	20130-072	23130-064	23130-062	23130-065	23130-063																																																																										
12	42	2000	800	800	20130-073																																																																														
14	47	2200	600	600	20130-077	23130-064	23130-062	23130-065	23130-063																																																																										
15	47	2200	600	800	20130-078																																																																														
16	47	2200	800	800	20130-082																																																																														



For further information www.schroff.us/oneclick
oneClick code = Order no.

Varistar Electronics Cabinet

Varistar EMC & IP55 frame, side-by-side mounting kits

 <p>Completely in RAL 7021 (black grey)</p>	<p>Heavy-Duty 1800 lbs</p>  <p>01004078</p>	<p>IP 55 gasket kit</p>  <p>01004157</p>	<p>Side-by-side mounting kit IP 55</p>  <p>01004120</p>	<p>EMC gasketing kit</p>  <p>01004157</p>	<p>Side-by-side mounting kit EMC</p>  <p>01004120</p>																																																																											
	<p>Static load-carrying capacity: 1800 lbs, St, 1.5 mm, zinc-plated, with central GND/earthing point, please order adjustable feet or casters separately</p>	<p>Seals are glued to the frame, so that all cladding parts conform to protection type IP 55</p>	<p>Gaskets are glued to the frame, through which all the following cover parts are conductively linked</p>																																																																													
<p>Cabinet dimensions</p> <table border="1"> <thead> <tr> <th>No.</th> <th>U</th> <th>Height mm</th> <th>Width mm</th> <th>Depth mm</th> </tr> </thead> <tbody> <tr><td>1</td><td>29</td><td>1400</td><td>600</td><td>600</td></tr> <tr><td>2</td><td>29</td><td>1400</td><td>600</td><td>800</td></tr> <tr><td>3</td><td>33</td><td>1600</td><td>600</td><td>600</td></tr> <tr><td>4</td><td>33</td><td>1600</td><td>600</td><td>800</td></tr> <tr><td>5</td><td>38</td><td>1800</td><td>600</td><td>600</td></tr> <tr><td>6</td><td>38</td><td>1800</td><td>600</td><td>800</td></tr> <tr><td>7</td><td>38</td><td>1800</td><td>800</td><td>600</td></tr> <tr><td>9</td><td>42</td><td>2000</td><td>600</td><td>600</td></tr> <tr><td>10</td><td>42</td><td>2000</td><td>600</td><td>800</td></tr> <tr><td>11</td><td>42</td><td>2000</td><td>800</td><td>600</td></tr> <tr><td>12</td><td>42</td><td>2000</td><td>800</td><td>800</td></tr> <tr><td>14</td><td>47</td><td>2200</td><td>600</td><td>600</td></tr> <tr><td>15</td><td>47</td><td>2200</td><td>600</td><td>800</td></tr> <tr><td>16</td><td>47</td><td>2200</td><td>800</td><td>800</td></tr> </tbody> </table>		No.	U	Height mm	Width mm	Depth mm	1	29	1400	600	600	2	29	1400	600	800	3	33	1600	600	600	4	33	1600	600	800	5	38	1800	600	600	6	38	1800	600	800	7	38	1800	800	600	9	42	2000	600	600	10	42	2000	600	800	11	42	2000	800	600	12	42	2000	800	800	14	47	2200	600	600	15	47	2200	600	800	16	47	2200	800	800	<p>1 piece</p>	<p>1 kit</p>	<p>1 kit</p>	<p>1 kit</p>
No.	U	Height mm	Width mm	Depth mm																																																																												
1	29	1400	600	600																																																																												
2	29	1400	600	800																																																																												
3	33	1600	600	600																																																																												
4	33	1600	600	800																																																																												
5	38	1800	600	600																																																																												
6	38	1800	600	800																																																																												
7	38	1800	800	600																																																																												
9	42	2000	600	600																																																																												
10	42	2000	600	800																																																																												
11	42	2000	800	600																																																																												
12	42	2000	800	800																																																																												
14	47	2200	600	600																																																																												
15	47	2200	600	800																																																																												
16	47	2200	800	800																																																																												
<p>Completely in RAL 7021</p>		<p>RAL 7021</p>																																																																														
1	29	1400	600	600	20130-055	23130-064	23130-062	23130-065	23130-063																																																																							
2	29	1400	600	800	20130-056																																																																											
3	33	1600	600	600	20130-059	23130-064	23130-062	23130-065	23130-063																																																																							
4	33	1600	600	800	20130-060																																																																											
5	38	1800	600	600	20130-063																																																																											
6	38	1800	600	800	20130-064	23130-064	23130-062	23130-065	23130-063																																																																							
7	38	1800	800	600	20130-065																																																																											
9	42	2000	600	600	20130-068	23130-064	23130-062	23130-065	23130-063																																																																							
10	42	2000	600	800	20130-069																																																																											
11	42	2000	800	600	20130-072	23130-064	23130-062	23130-065	23130-063																																																																							
12	42	2000	800	800	20130-073																																																																											
14	47	2200	600	600	20130-077	23130-064	23130-062	23130-065	23130-063																																																																							
15	47	2200	600	800	20130-078																																																																											
16	47	2200	800	800	20130-082																																																																											

Note

- EMC shielded and IP55 environmentally sealed cabinets are available in additional sizes. Please contact Schroff sales support with your configuration details.



For further information www.schroff.us/oneclick
oneClick code = Order no.

Varistar Electronics Cabinet

Varistar EMC & IP55 side panels, rear panels, doors

Cabinet dimensions Height Width Depth No. U mm mm mm					Side panel, screw fixed, EMC, IP 55	Rear panel, screw fixed, EMC, IP 55	Steel door, multi point locking			
					01004083	01004085	Plain, EMC, IP 55	Perforated EMC	DIN profile half cylinder	
Completely in RAL 7021 (black grey)					St, 1 mm, painted exterior, interior Al-Zn, incl. GND/earthing	St, 1 mm, painted exterior, interior Al-Zn, incl. GND/earthing	St, 1.5 mm, exterior painted, interior AlZn, opening angle 180°, lever handle with push button, incl. GND/earthing	St, 1.5 mm, exterior painted, interior AlZn, opening angle 180°, lever handle with push button, incl. GND/earthing	For lever handle, common locking	
					2 pieces	1 piece	1 piece	1 piece	1 piece	
Completely in RAL 7021					RAL 7021	RAL 7021	RAL 7021	RAL 7021	RAL 7021	
1	29	1400	600	600	21130-023	21130-078	21130-168	21130-198	25127-995	
2	29	1400	600	800	21130-024					
3	33	1600	600	600	21130-025	21130-080	21130-170	21130-200	25127-995	
4	33	1600	600	800	21130-026					
5	38	1800	600	600	21130-027	21130-082	21130-172	21130-202	25127-995	
6	38	1800	600	800	21130-028					
7	38	1800	800	600	21130-027	21130-083	21130-173	21130-203	25127-995	
9	42	2000	600	600	21130-030	21130-084	21130-174	21130-204	25127-995	
10	42	2000	600	800	21130-031					
11	42	2000	800	600	21130-030	21130-085	21130-175	21130-205	25127-995	
12	42	2000	800	800	21130-031					
14	47	2200	600	600	21130-035	21130-086	21130-176	21130-206	25127-995	
15	47	2200	600	800	21130-036					
16	47	2200	800	800	21130-036	21130-087	21130-177	21130-207	25127-995	
29	47	2200	600	300	22130-034					
30	47	2200	600	600	22130-035	22130-086	22130-176	22130-206	25127-995	
31	47	2200	600	800	22130-036					
32	47	2200	800	800	22130-036	22130-087	22130-177	22130-207	25127-995	

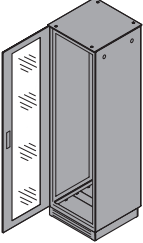
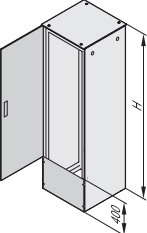


Note

- EMC shielded and IP55 environmentally sealed cabinets are available in additional sizes. Please contact Schroff sales support with your configuration details.

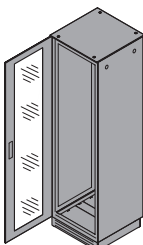
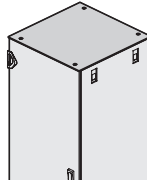
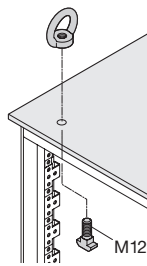
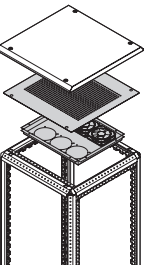
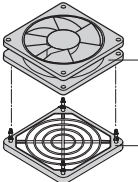


For further information www.schroff.us/oneclick
oneClick code = Order no.

Varistar Electronics Cabinet

 <p>Completely in RAL 7021 (black grey)</p>	<p>Door, Rear panel</p>  <p>01005077</p> <p>Door and rear panel must be selected 400 mm shorter than cabinet height</p>	<p>HF connecting plate</p>																					
		<p>Flat plate, EMC, IP 55</p>  <p>01005075</p> <p>Frame, stainless steel, 1 mm, mounting to top or bottom, height 400 mm, plate flat, stainless steel, 1.5 mm</p>	<p>Recessed plate, EMC, IP 55</p>  <p>01005074</p> <p>Frame, stainless steel, 1 mm, mounting to top or bottom, height 400 mm, plate recessed by 40 mm, stainless steel, 1.5 mm</p>																				
		<p>1 piece</p>	<p>1 piece</p>																				
		<p>1 piece</p>	<p>1 piece</p>																				
<p>Cabinet dimensions</p> <table border="1"> <thead> <tr> <th>No.</th> <th>U</th> <th>Height mm</th> <th>Width mm</th> <th>Depth mm</th> </tr> </thead> <tbody> <tr> <td colspan="5">Completely in RAL 7021</td> </tr> <tr> <td></td> <td></td> <td>400</td> <td>600</td> <td></td> </tr> <tr> <td></td> <td></td> <td>400</td> <td>800</td> <td></td> </tr> </tbody> </table>		No.	U	Height mm	Width mm	Depth mm	Completely in RAL 7021							400	600				400	800		<p>Flat plate, EMC, IP 55</p> <p>RAL 7021</p> <p>21130-578</p> <p>21130-579</p>	<p>Recessed plate, EMC, IP 55</p> <p>RAL 7021</p> <p>21130-580</p> <p>21130-581</p>
No.	U	Height mm	Width mm	Depth mm																			
Completely in RAL 7021																							
		400	600																				
		400	800																				

Varistar EMC & IP55 top covers, fan top covers


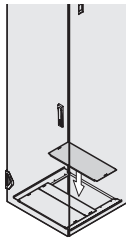



 <p>Completely in RAL 7021 (black grey)</p>	<p>Flat top cover,</p>																																																																													
	<p>EMC, IP 55</p>  <p>01004096</p> <p>St, 1,5 mm, exterior 7021, interior AlZn, incl. GND/earthing</p>	<p>Lifting eye</p>  <p>01004090</p> <p>for top cover, application and load in compliance with DIN 582</p>	<p>Top cover for 6 fans</p>  <p>01008050</p> <p>115V AC, 6 fans, EMC shielded cover</p>	<p>Replacement fan for fan top</p>  <p>cta44844</p> <p>Fan with finger guard, 115V AC, 38mm</p>																																																																										
	<p>1 piece</p>	<p>4 pieces</p>	<p>1 piece</p>	<p>1 piece</p>																																																																										
	<p>Completely in RAL 7021</p>	<p>RAL 7021</p>	<p>RAL 7021</p>																																																																											
<table border="1"> <thead> <tr> <th>No.</th> <th>U</th> <th>Height mm</th> <th>Width mm</th> <th>Depth mm</th> </tr> </thead> <tbody> <tr> <td>1</td> <td>29</td> <td>1400</td> <td>600</td> <td>600</td> </tr> <tr> <td>2</td> <td>29</td> <td>1400</td> <td>600</td> <td>800</td> </tr> <tr> <td>3</td> <td>33</td> <td>1600</td> <td>600</td> <td>600</td> </tr> <tr> <td>4</td> <td>33</td> <td>1600</td> <td>600</td> <td>800</td> </tr> <tr> <td>5</td> <td>38</td> <td>1800</td> <td>600</td> <td>600</td> </tr> <tr> <td>6</td> <td>38</td> <td>1800</td> <td>600</td> <td>800</td> </tr> <tr> <td>7</td> <td>38</td> <td>1800</td> <td>800</td> <td>600</td> </tr> <tr> <td>9</td> <td>42</td> <td>2000</td> <td>600</td> <td>600</td> </tr> <tr> <td>10</td> <td>42</td> <td>2000</td> <td>600</td> <td>800</td> </tr> <tr> <td>11</td> <td>42</td> <td>2000</td> <td>800</td> <td>600</td> </tr> <tr> <td>12</td> <td>42</td> <td>2000</td> <td>800</td> <td>800</td> </tr> <tr> <td>14</td> <td>47</td> <td>2200</td> <td>600</td> <td>600</td> </tr> <tr> <td>15</td> <td>47</td> <td>2200</td> <td>600</td> <td>800</td> </tr> <tr> <td>16</td> <td>47</td> <td>2200</td> <td>800</td> <td>800</td> </tr> </tbody> </table>	No.	U	Height mm	Width mm	Depth mm	1	29	1400	600	600	2	29	1400	600	800	3	33	1600	600	600	4	33	1600	600	800	5	38	1800	600	600	6	38	1800	600	800	7	38	1800	800	600	9	42	2000	600	600	10	42	2000	600	800	11	42	2000	800	600	12	42	2000	800	800	14	47	2200	600	600	15	47	2200	600	800	16	47	2200	800	800	<p>23130-072</p>	<p>27130-006</p> <p>27130-007</p> <p>27130-006</p> <p>27130-007</p> <p>27130-006</p> <p>27130-007</p> <p>27130-008</p> <p>27130-006</p> <p>27130-007</p> <p>27130-008</p> <p>27130-006</p> <p>27130-007</p> <p>27130-009</p> <p>27130-006</p> <p>27130-007</p> <p>27130-009</p>	<p>27130-010</p> <p>27130-010</p> <p>27130-010</p> <p>27130-010</p> <p>27130-010</p> <p>27130-010</p> <p>27130-010</p> <p>27130-010</p> <p>27130-010</p> <p>27130-010</p> <p>27130-010</p> <p>27130-010</p>
No.	U	Height mm	Width mm	Depth mm																																																																										
1	29	1400	600	600																																																																										
2	29	1400	600	800																																																																										
3	33	1600	600	600																																																																										
4	33	1600	600	800																																																																										
5	38	1800	600	600																																																																										
6	38	1800	600	800																																																																										
7	38	1800	800	600																																																																										
9	42	2000	600	600																																																																										
10	42	2000	600	800																																																																										
11	42	2000	800	600																																																																										
12	42	2000	800	800																																																																										
14	47	2200	600	600																																																																										
15	47	2200	600	800																																																																										
16	47	2200	800	800																																																																										

Note

- EMC shielded and IP55 environmentally sealed cabinets are available in additional sizes. Please contact Schroff sales support with your configuration details.

Varistar Electronics Cabinet

Varistar EMC & IP55 base plate, adjustable feet

No.	Cabinet dimensions			Multi-piece base plate, IP55 only			Base plate, EMC, IP55		
	Height	Width	Depth	Base plate	Cover	Seal IP 55	One-piece	With cable entry	
	U	mm	mm	mm	mm	mm	mm	mm	
	Completely in RAL 7021 (black grey)								
				01004050 St, 1.5 mm, multipiece, rear opening 200 mm deep (no rear opening on 300 mm cabinet depth), incl. GND/ earthing, please order separately	01004106 St, 1.5 mm	01004073 For base plate with cover	01004107 St, 1.5 mm, outside RAL 7021, inside AlZn, incl. GND/ earthing, assembly from the outside	0100410 St, 1.5 mm, outside RAL 7021, inside AlZn, opening at rear 60 mm deep, incl. GND/ earthing, assembly from the outside	
				1 piece	1 piece	1 piece	1 piece	1 piece	
	Completely in RAL 7021			RAL 7021	RAL 7021		RAL 7021	RAL 7021	
1	29	1400	600	600	23130-001	23130-076	23130-073	21130-281	21130-291
2	29	1400	600	800	23130-002	23130-076	23130-073	21130-282	21130-292
3	33	1600	600	600	23130-001	23130-076	23130-073	21130-281	21130-291
4	33	1600	600	800	23130-002	23130-076	23130-073	21130-282	21130-292
5	38	1800	600	600	23130-001	23130-076	23130-073	21130-281	21130-291
6	38	1800	600	800	23130-002	23130-076	23130-073	21130-282	21130-292
7	38	1800	800	600	23130-005	23130-136	23130-073	21130-283	21130-293
8	42	2000	600	300	23130-009	-	23130-073	21130-285	-
9	42	2000	600	600	23130-001	23130-076	23130-073	21130-281	21130-291
10	42	2000	600	800	23130-002	23130-076	23130-073	21130-282	21130-292
11	42	2000	800	600	23130-005	23130-136	23130-073	21130-283	21130-293
12	42	2000	800	800	23130-006	23130-136	23130-073	21130-284	21130-294
13	47	2200	600	300	23130-009	-	23130-073	21130-285	-
14	47	2200	600	600	23130-001	23130-076	23130-073	21130-281	21130-291
15	47	2200	600	800	23130-002	23130-076	23130-073	21130-282	21130-292
16	47	2200	800	800	23130-006	23130-136	23130-073	21130-284	21130-294

Note

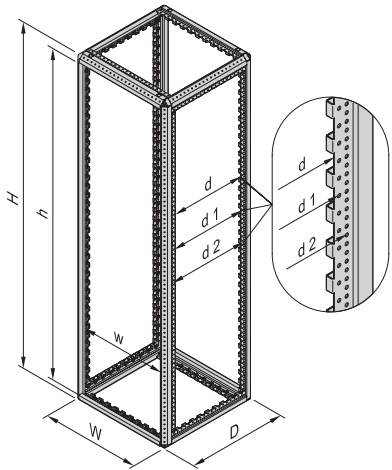
- EMC shielded and IP55 environmentally sealed cabinets are available in additional sizes. Please contact Schroff sales support with your configuration details.



For further information www.schroff.us/oneclick
oneClick code = Order no.

Varistar Electronics Cabinet

Frame dimensions



Height

Cabinet height		Frame	
mm	U	H mm	h mm
1200	24	1192	1102
1400	29	1392	1302
1600	33	1592	1502
1800	38	1792	1702
2000	42	1992	1902
2200	47	2192	2102

Width

Cabinet width	Heavy-Duty Frame	
	W mm	w mm
600	592	502
800	792	702

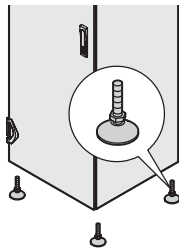
01005087

Depth

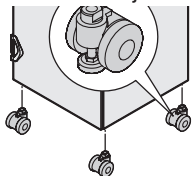
Cabinet depth	Frame			
	D mm	d mm	d ₁ mm	d ₂ mm
300	292	128.8	150	175
600	592	428.8	450	475
800	792	628.8	650	675
900	892	728.8	750	775
1000	992	828.8	850	875
1100	1092	928.8	950	975
1200	1192	1028.8	1050	1075

01004081

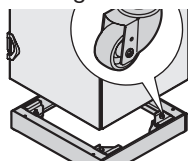
Adjustable feet



Casters with adjustable feet

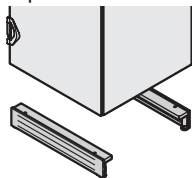


Locking casters

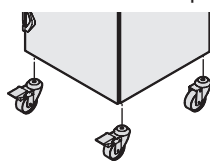


0100408201004156

Base/plinth



Mobile base/plinth



0100411001004111

Height of adjustable feet, casters, base/plinth

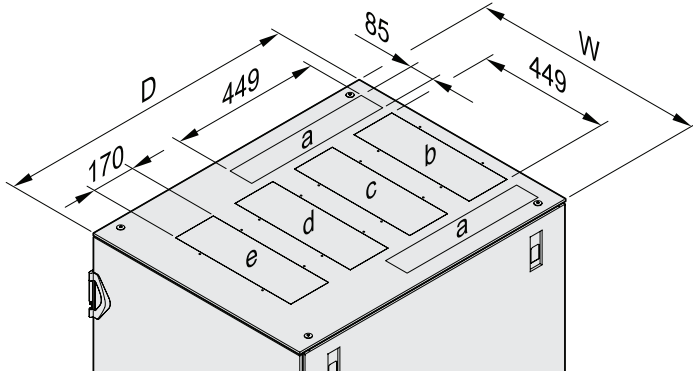
Adjustable feet	20 ... 40 mm
Locking casters	85 mm
Casters with adjustable feet	85 ... 95 mm
Base/plinth (feet)	112 ... 132 mm
Base/plinth, mobile	126.5 ... 134.5 mm

Varistar Frame & Cabinet Specifications

	Standard	Heavy-Duty
Static load	IEC 61587-1	800 kg
Type of protection	IEC 60529	IP 20, IP 55
Shock test	IEC 61587-1	Maximum acceleration: 5 g, duration: 11 ms
Vibration test	IEC 61587-1	Frequency: 5 Hz -100 Hz, acceleration: 1 g
Earthquake test	IEC 61587-2	Standard: up to Bellcore Zone 3, acceleration: 3 g, frequency: 4 Hz ... 5 Hz With strengthening: up to Bellcore Zone 4, acceleration: 5 g, frequency: 2 Hz ... 5 Hz
EMC shielding	IEC 61587-3	60 dB at 1 GHz, 40 db at 3 GHz

Varistar Electronics Cabinet

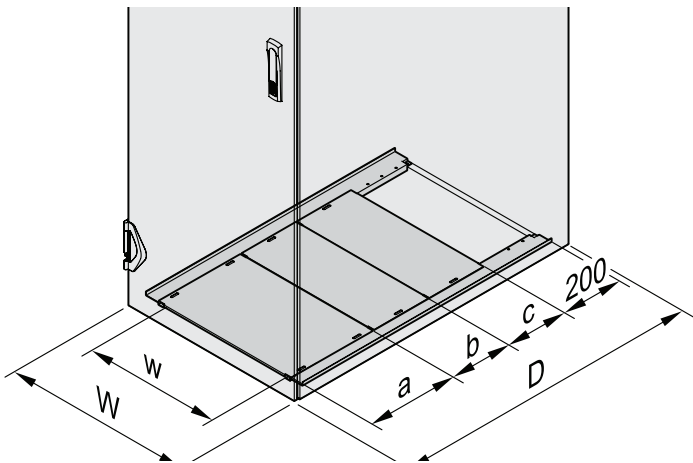
Top cover with cut-out zones



01006097

D	W = 600 mm					W = 800 mm				
	A	B	c	d	E	A	B	c	d	E
600	-	✓	✓	-	-	-	✓	✓	-	-
800	-	✓	✓	✓	-	✓	✓	✓	-	-
900	-	✓	✓	✓	-	✓	✓	✓	✓	-
1000	-	✓	✓	✓	✓	✓	✓	✓	✓	✓
1100	-	✓	✓	✓	✓	✓	✓	✓	✓	✓
1200	-	✓	✓	✓	✓	✓	✓	✓	✓	✓

Base plate, multi-piece



01006096

D	Depth in mm		
	A	B	c
600	300	-	-
800	300	200	-
900	300	300	-
1000	300	200	200
1100	300	300	200
1200	300	300	300

Cabinet width	Opening width
W	w
mm	mm
600	426
800	626

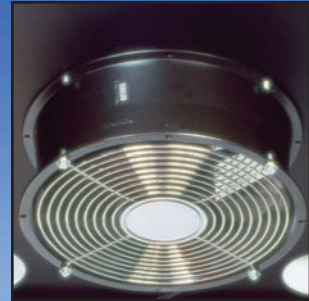


For further information www.schroff.us/oneclick
oneClick code = Order no.

Midas Cabinet Platform



MIDAS



Standard Fans



Lever Handle



Door Options



Midas Cabinet Platform

Midas

Application

The Midas cabinet platform economically houses 19- or 23-in. equipment and supports general electronic equipment, LAN, WAN, phone and voice mail equipment and servers in an indoor environment. Multiple sizes, designed-in cabinet adaptability and selected accessories provide maximum application flexibility.

Features

- Includes two sets of adjustable L-shaped rack angles for convenient equipment mounting
- Midas cabinets are available in heights from 23U to 45U (Some sizes on special request)
- Midas cabinets are available in widths of 600mm, 700mm or 800mm (700 & 800 wide on special request)
- Midas cabinets are available in depths from 600mm to 1200mm (deeper than 900 on special request, 50mm increments)
- Midas cabinet doors are available as solid, fully perforated, louvered or with a plexiglass window. Split doors available on special request.
- Rack angles on Midas cabinets have square holes per EIA standards. Order fasteners and cage nuts separately.
- Rack angle settings on all 700- and 800-mm wide cabinets can accommodate either 19- or 23-in. rack spacing
- Rack angles infinitely positionable within the cabinet for easy adjustment to desired position
- All doors are field removable and reversible with left or right hinging for installation flexibility
- Removable side panels with quarter-turn key-locking latch are inset for flush appearance
- Cable entry ports with caps and grommets on cabinet top for wiring ease
- Fan-ready top with integral finger guard. Order up to two 6-in. fans separately.
- Caster- and leveler-ready open base design. Order casters and levelers separately.

Construction

- Welded multi-formed steel frame. Top and columns are 16 gauge; base is 14 gauge.
- Multi-formed rigid doors are 14 gauge steel with steel stiffener frame. Window made of 1/8-in. smoke-tinted acrylic
- Formed solid sides are 14 gauge steel
- Rack angles are 12 gauge steel
- Ground studs provided on doors and covers

Finish

Coated with RAL 9005 black textured, low-gloss polyester powder paint. Other finishes available—contact Schroff sales support

Industry Standards

EIA 310-D

IEC 60529, IP20

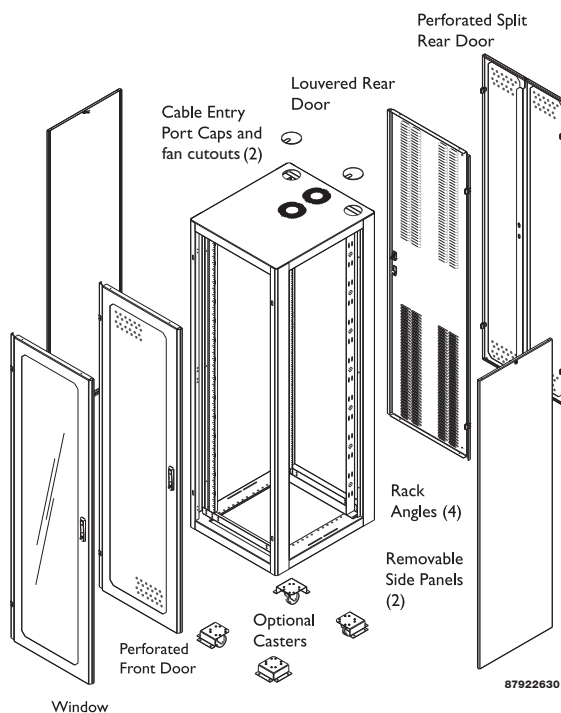
Perforated door material meets equipment manufacturer ventilation requirements

Load Rating

1000 lbs. (454 kg) per UL 1863 with load evenly distributed in enclosure
 NOTE: UL 1863 requires that the cabinet be tested with a load four times the rating. The cabinet was tested to 4000 lbs. (1814 kg) without failure to meet the 1000 lb. (454 kg) rating. Contact Schroff if other loading specifications are required.

Accessories

Most 19- and 23-in. rack-mount accessories mount easily to the rack angles. Other general accessories can also be used. See Accessories.



For further information www.schroff.us/oneclick
 oneClick code = Order no.

Midas Cabinet Platform

Midas standard cabinet configuration guide

Please configure cabinet using the product selector below, in addition to your selected configuration the basic cabinet is supplied with: two sets of panel mounts, front and rear, associated equipment mounting hardware (20pcs), lockable side panels, top cover with two cable entry ports and grommets, cover is ready to install two optional fans.

Part Number Example	MID	BK	43	6	9	U	P	S	S	X	B
Color		BK									
	Black, Textured RAL	BK									
Height											
		23U	23								
		34U	34								
		37U	37								
		40U	40								
		43U	43								
Width											
			600mm	6							
Depth											
			600mm	6							
			800mm	8							
			900mm	9							
Rack Angles											
	19" Spacing Square Holes (M6 Cage Nuts)					M					
	19" Spacing Square Holes (10/32 Cage Nuts)					U					
Front Door											
							Fully Perforated	P			
							Solid	S			
							Louvered	L			
							Plexiglass	G			
							None	O			
Rear Door											
							Fully Perforated	P			
							Solid	S			
							Louvered	L			
							Plexiglass	G			
							None	O			
Sides											
								Solid	S		
								No Sides	N		
Fan											
							Two Fans Installed In Top Cover			S	
							No Fans			X	
Casters/Feet											
										Casters	C
										Leveling Feet	L
										Casters and Leveling Feet	B
										No Casters and Leveling Feet	X

Additional Midas cabinet configurations available on request. Contact your local Schroff sales support for details



For further information www.schroff.us/oneclick
oneClick code = Order no.

Midas Cabinet Platform

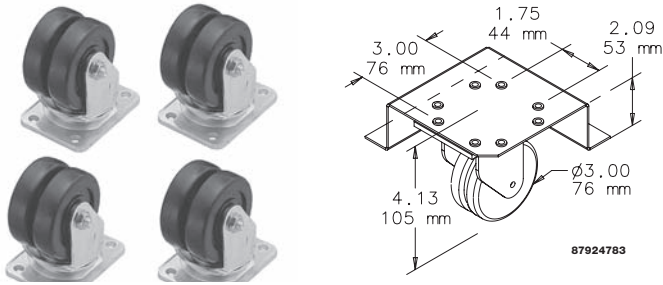
Accessories

Midas Caster Kit

These recessed ball-bearing casters allow Midas cabinet repositioning with minimal effort. Casters add 2 in. to height of cabinet. Kit includes four casters, recessed brackets and mounting hardware.

Order Information

Catalog Number	Description
NCK	Set of four caster, recessed brackets and mounting hardware



Midas Leveler Kit

Leveler kits allow adjustment of Midas cabinets for uneven floors. Can be used with casters to stabilize final installation.



Order Information

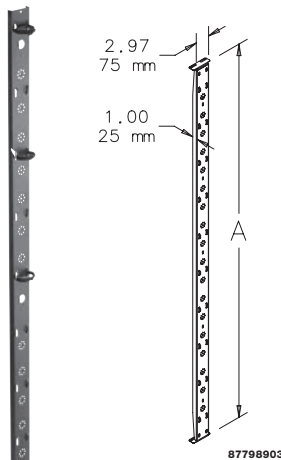
Catalog Number	Description
NLK	Set of four levelers

Midas Verticle Tie Down Cable Manager

Hold larger cable bundles securely. Velcro™ Cable Wraps provide convenient cable fastening and easy access to individual cables. One piece design. Holes provided for addition of cable transitions, spools or D-Rings (order separately). Made of steel coated with RAL 9005 black polyester powder paint. Includes mounting hardware.

Order Information

Catalog Number	A (in.)	A (mm)	Fits Cabinet Height (mm)
NVCMTD12	40.37	1025	1245
NVCMTD21	78.87	2003	2134



Cabinet Cable Managers Cable Organizers

Easy to slip cable into support brackets, horizontal/vertical models (shown) manage cable transitions.

Order Information

Catalog Number	Description
ECK19H	19-in. horizontal
ECK19HV	19-in. horizontal/vertical
ECK23HV	23-in. horizontal/vertical



CABLETEK™ Horizontal Cable Manager

Routes cable bundles horizontally. Cover provides clean appearance and protects cable.

Order Information

Catalog Number	Description
DCHS1	19 in., single-sided, 1 RU
DCHS2	19 in., single-sided, 2 RU
DCHD2	19 in., double sided, 2 RU



Cable Trough

Convenient solution for horizontal lay-in routing of cable.

Order Information

Catalog Number	Description
ECT19	19 in.
ECT23	23 in.



D-Ring Cable Managers

Easily fasten to vertical cable managers, snap closed, rotate to smooth cable transitions.

Order Information

Catalog Number	Description
ECM3DR10	Plastic 3 in.
ECM6DR10	Plastic 6 in.



Midas Joining Kit

The joining kit enables joining Midas cabinets without sides to form a single bank of cabinets. Each kit joins two cabinets

Order Information

Catalog Number	Description
NJK	Midas Joining Kit

Velcro™ is a trademark of Velcro Industries V.B.



For further information www.schroff.us/oneclick
oneClick code = Order no.

Midas Cabinet Platform

Selected General Accessories

19-in. Drawers

Order Information
Pullout drawer, steel, gray.
Max. pullout 13.00 in.



Catalog Number	Description
P19DR1US	1 RU
P19DR2US	2 RU
P19DR3US	3 RU
Drawer-top Writing Surface, steel painted gray	
P19WS	Fits on top of 19 in. P19DR_US drawers, all depths

19-in. Keyboard Compartments

Order Information



Catalog Drawing	Description
A19KBC2B	Fixed, brushed aluminum, 2 RU, holds keyboard up to 16.50-in. wide
P19KBPVT	Pivoting, steel, black, pivots 90°, holds standard size keyboard, extends 9.75 in. in front of rack angles, 2 RU
P19KBSM	Pullout with mini keyboard, steel, black, slides between rack angles, holds up to 16.25-in. keyboard, extends 8.94 in., 2RU

General Accessories

Order Information



Accessory Name	Catalog Number	Description
Concrete Expansion Anchor Kit	ESBDK	Includes 4 bolts
Tool-less Snap-in Blanking Panel	D19BPT1RU	RAL 9005 black
Tool-less Snap-in Blanking Panel	D19BPT2RU	RAL 9005 black
Rack Panel, 1 RU	P19RPP1UB	RAL 9005 black
Rack Panel, 2 RU	P19RPP2UB	RAL 9005 black
Rack Panel, 3 RU	P19RPP3UB	RAL 9005 black
Rack Panel, 4 RU	P19RPP4UB	RAL 9005 black
Rack Panel, 5 RU	P19RPP5UB	1 RU
Rack Panel, 6 RU	P19RPP6UB	3 RU
Panel Adapters, (for mounting 19-in. equipment in 23-in. cabinets)	ERB1U2319	5 RU

Fastener Kits

Order Information

Screw Hardware Kits


Description	Catalog Number	Kit Qty.
M6 x 16 Cross-Head screws	21100-022	100
M6 Cage Nuts	21100-004	100
Plastic washers M6	21100-016	100
Assembly kit, M6 x 16 Screws, M6 Cage Nuts, Plastic Washers	21101-810	100

Fans

Order Information



Catalog Number	Description
A6AXFNPG	Fan, corded, 240 cfm, 56 db, max. 2
A6AXFNGQ	Quiet Fan, corded, 100 cfm, 38 db, max. 2
ACORD2	Double fan cord, allows two fans on one cord

General Accessories

Order Information

19 in. shelves	23 in. shelves	Description
Fixed solid shelf, black, 1 RU		
P19SH68B	P23SH68B	19.68-in. deep, fits rack angle depth to 30.71 in.
P19SH810B	P23SH810B	27.56-in. deep, fits rack angle depth to 38.58 in.

Fixed vented shelf, black, 1 RU

P19VSH68B	P23VSH68B	19.68-in. deep, fits rack angle depth to 30.71 in.
P19VSH810B	P23VSH810B	27.56-in. deep, fits rack angle depth to 38.58 in.



Pullout solid shelf, black, rack mount

P19SHP68B	P23SHP68B	Max. pullout 17.00 in.; 16.72-in. deep, fits rack angle depth to 37.4 in.
P19SHP810B	P23SHP810B	Max pullout 19.00 in.; 24.59-in. deep, fits rack angle depth to 41.3 in.
PHCB		Support Arm for pullout shelves



Tool-less Vented Shelf for Square Hole Rack Angles

D19FVT69B	600-900 mm nominal depth
D19FVT912B	900-1200 mm nominal depth



For further information www.schroff.us/oneclick
oneClick code = Order no.

Tecnorack Cabinet Platform



Cooling Options



Cable Solutions



EMC & NEMA 12 Protection



Earthquake Protection

Tecnorack Cabinet Platform

Tecnorack

Tecnorack cabinets are high end electronics and telecommunications equipment cabinets. Extremely rugged, Tecnorack cabinets can be configured with earthquake protection, EMC shielding, high end cooling and much more! Tecnorack cabinets are designed to customer specification and built to order. The Tecnorack platform offers a high end enclosure solution that you can have confidence in to solve the most complex enclosure issues. Contact Schroff today to start your Tecnorack project on the path to success!

Materials & Construction

- Frame: 2mm Steel
- Doors: 2mm Steel
- Side Panels: 1mm Steel
- Top Cover: 1mm Steel
- Seismic Base: ¼" Steel
- Finish: Powder coat
- Welded construction

Common Modifications

- Height, Width, Depth in 50mm increments
- Custom cut-outs in covers, doors & panels
- Cooling solutions
- Cable management & routing
- Equipment brackets, shelves & mounting
- Anything you require!

Standards

- Static load capacity up to 2000 lbs
- Mounting dimensions to DIN 41 494 part 1
- External dimensions to DIN 41 488 and based on DIN 41 494 part 7
- Protection IP55 to DIN 40 050
- Grounding to VDE 0800 and VDE 0804 part 100 (with grounding kit)
- Protection up to NEBS Zone 4



For further information www.schroff.us/oneclick
oneClick code = Order no.

Tecnorack Cabinet Platform

High End Electronics Cabinet



Typical Features

- Welded steel frame with corner reinforcement
- Solid side panels
- Top cover with lifting eyes or cable entry
- Front and rear doors with louvers or perforation
- Fans and filters on doors or top cover
- Base plinth with casters
- Secure multi point latching doors

Dimensions

- Height up to 45U
- Width up to 800mm
- Depth up to 1000mm

Typical Accessories

- Fan trays & filter fans
- Heat exchangers or AC units
- Cable management systems
- Grounding buss bars
- Power strips & power management
- Shelves & slides

Seismic Earthquake Protection

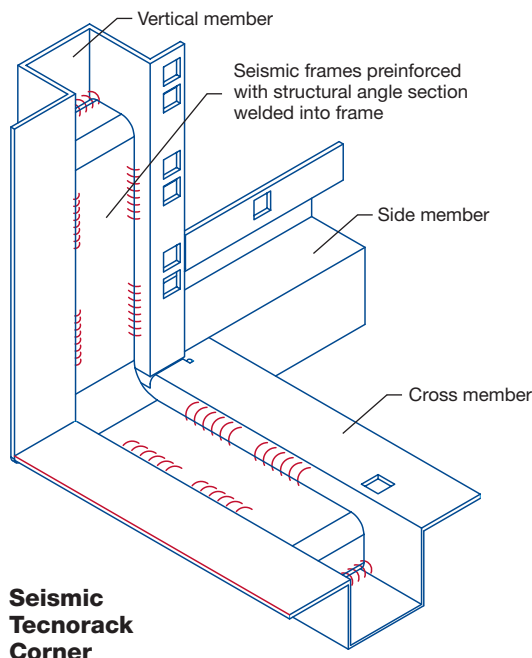
- Protection up to NEBS Zone 4
- High equipment capacity
- Testing services available

EMC Shielding

- Standard gasketing solution
- Performance up to 40 db @ 1GHz possible depending on configuration

Environmental Protection

- Standard gasketing solution
- Environmental seal up to IP 55 / NEMA 12



For further information www.schroff.us/oneclick
oneClick code = Order no.

Tecnorack Cabinet Platform

Application Examples

High End Telecommunications Equipment Enclosure

- Seismic Protection up to Zone 4
- High end cooling solutions
- Server & secure datacenter oriented configurations
- Global delivery & support

Industrial & Transportation Enclosure

- Rugged to resist shock & vibration
- NEMA 12 / IP 55 environmental protection
- Filtered fans, Air Conditioners & Heat Exchangers
- Special protective paints & coatings

Medical Imaging Equipment Enclosure

- High end shielding performance
- Casters for mobility
- Seismic protection for expensive equipment
- High end cooling solutions

Test Equipment Mobile Enclosure

- Casters for mobility
- High end shielding performance
- Customization to handle all types of equipment
- Extremely rugged



Velcro™ is a trademark of Velcro Industries V.B.



For further information www.schroff.us/oneclick
oneClick code = Order no.

Eurorack Cabinet Platform



Eurorack Cabinet Platform

General purpose 19" cabinet

Typical Features

- Protection to IP 40
- Aesthetic design
- Mechanically strong, lightweight cabinet
- Static load-carrying capacity 880 lbs
- Assemble-to-order service
- Prepared for GND/earth connections

Design

- The cabinet range is based on a frame construction with removable covers. The cabinet frame consists of 2 diecasts top and bottom and 4 extruded uprights.

Material

- Frame:
 - 2 aluminum diecasts
 - 4 aluminum upright extrusions.
- Side panel: .040" (1mm), steel.
- Plain door: .080" (2 mm), steel.
- Door, glazed: Aluminum extrusion, 2 mm acrylic glass.

Finish

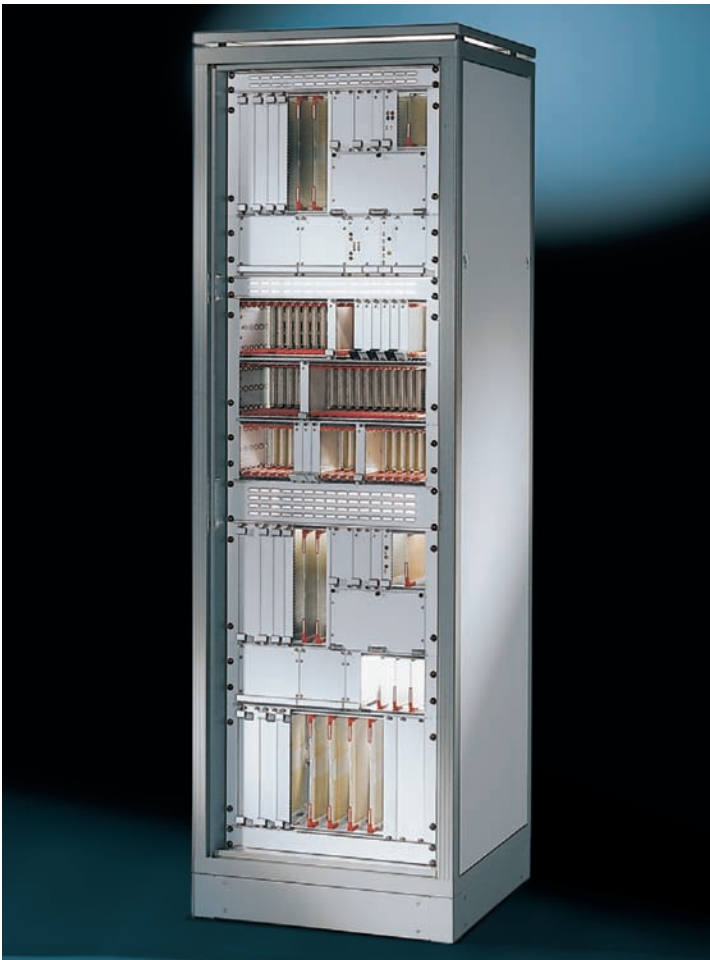
- Frame and top cover painted RAL 7030 dark grey, covers RAL 7035 light grey

Standards

- Mounting dimensions to DIN 41494 part 1/EIA-RS-310D/IEC 297-1
- External dimensions DIN 41488/IEC 297-2 and based on DIN 41494 part 7
- Protection type IP 40 to DIN 40050/NEMA 2
- Grounding to VDE 0806, VDE 0160 and VDE 0411 part 100 with grounding kit

Modifications

- Color
- Adjustable heights in 1 U increments from 20 U to max. 47 U
- 600 mm, 700 mm, 800 mm, 900 mm, and 1000 mm cabinet width
- Depths from 500 mm to max. 900 mm (in 25 mm increments)
- 19" mounting uprights, recessed 4" Custom cut-outs



For further information www.schroff.us/oneclick
oneClick code = Order no.

Eurorack Cabinet Platform

19" Cabinet, fixed panel mounts



00103001

- Networking
- Data Communications
- Standard 19" mounting applications
- Test equipment and audio

Design

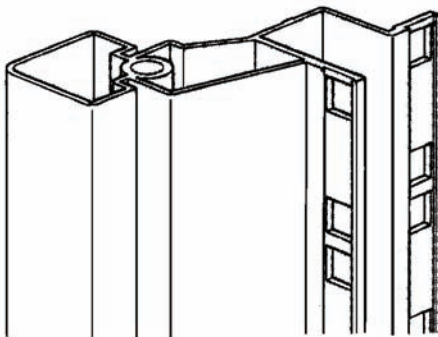
The eurorack family of full size 19" electronic cabinets is a versatile range of electronic enclosures designed for housing chassis, control panels, subracks, etc. It fully meets the national EIA 310-D standard and the international standards for 19" enclosures. The eurorack cabinet range is based on a frame construction with removable covers which are attached via quarter-turn fasteners. The cabinet frame, consisting of 2 diecasts (top and bottom) and 4 extruded uprights, provides a lightweight, rugged solution. The eurorack is a truly engineered cabinet system that meets UL/VDE grounding requirements and benefits from IEC modular mounting techniques. These cabinets are available with a full range of accessories including doors, bases, equipment shelves, swing frames and more.

Features

- Cost-effective solution for 19" applications
- An integral front flange provides for 19" mounting in a fixed recessed position 60mm (2.36") from the front and rear
- The steel side covers provide easy access to internal electronics via quarter-turn fasteners
- 19" frame consists of top and bottom aluminum diecasts and 4 vertical extrusions that support a static load capacity of 400kg (880 lbs.)
- Wide range of accessories include optional doors, bases, equipment shelves, swing frames and more

Standards

- Mounting dimensions to DIN 41494 part 1/EIA-RS-310C/IEC 297-1
- External dimensions to DIN 41488/IEC 297-2 and based on DIN 41494 part 7
- Protection type IP 40 to DIN 40050/NEMA 2
- Grounding to VDE 0806, VDE 0160 and VDE 0411 part 100 with grounding kit



EXTR



For further information www.schroff.us/oneclick
oneClick code = Order no.

Eurorack Cabinet Platform

19" Cabinet, adjustable panel mounts

- Recessed mounting and 23" applications
- Networking applications with cable management issues

Design

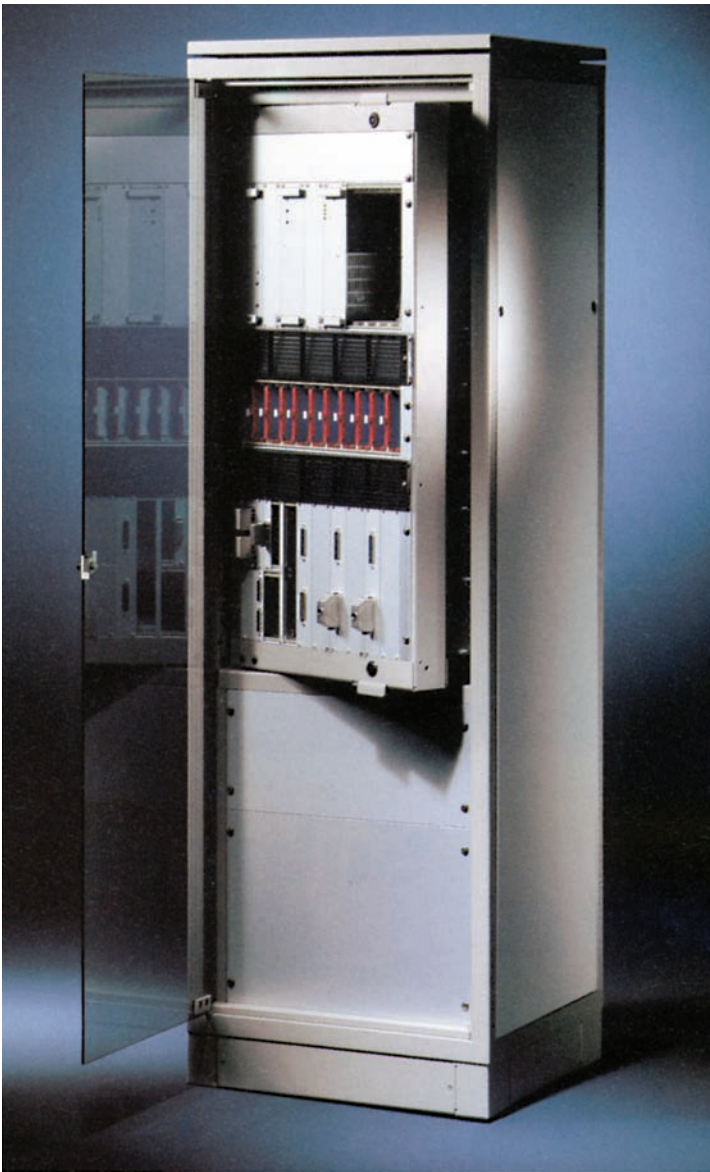
The eurorack family of full size electronic cabinets is a versatile range of electronic enclosures designed for housing chassis, control panels, subracks, etc. It fully meets the national EIA 310-D standard and the international standards for enclosures.

The eurorack cabinet range is based on a frame construction with removable covers which are attached via safety locks or quarter-turn fasteners. The cabinet frame, consisting of 2 diecasts (top and bottom) and 4 extruded uprights, provides a lightweight, rugged solution.

The eurorack is a truly engineered cabinet system that meets UL/VDE grounding requirements and benefits from IEC modular mounting techniques. These cabinets are available with a full range of accessories including doors, bases, equipment shelves, and more.

Features

- Designed for 19" or 23" recessed mounting using panel mounts or panel/slide mounts
- The steel side covers provide easy access to internal electronics via quarter-turn fasteners
- Frame consists of top and bottom aluminum diecasts and 4 vertical extrusions that support a static load carrying capacity of 400kg (880 lbs.)
- Wide range of accessories include optional doors, bases, equipment shelves, and more



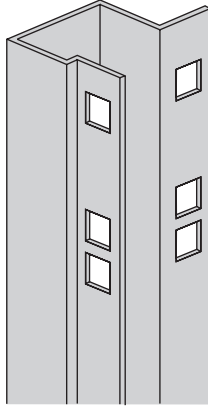
EURO1



For further information www.schroff.us/oneclick
oneClick code = Order no.

Eurorack Cabinet Platform

19"-Panel/slide mount



ERTP0041

- For installation of 19" components such as front panels, subracks etc.
- Required to secure slide rails

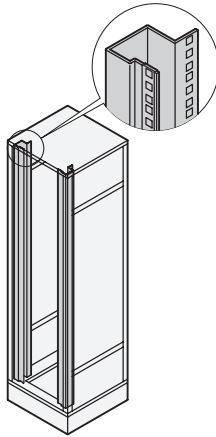
Delivery comprises

Item	Qty	Description
1	2	Panel/slide mount, 2.5 mm steel, zinc-plated, yellow
2	1	Set of assembly hardware

Order Information

For Cabinet height	Order no.
U	
20	22117-728
25	22117-729
29	22117-730
34	22117-731
38	22117-732
43	22117-733

19" panel slide mounts with Universal pitch (EIA)



SZA44684

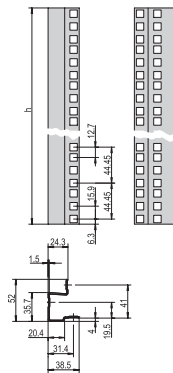
- For installation of 19" components such as front panels, subracks etc., in the U pitch
- Required to secure slide rails and telescopic slide rails (at the front and rear)

Delivery comprises

Item	Qty	Description
1	2	19" panel mount (EIA), 1.5 mm steel, RAL 7035 light grey
2	1	Set of assembly hardware

Order Information

For Cabinet height	Order no.
U	
16	22117-362
20	22117-363
25	22117-364
29	22117-365
34	22117-366
38	22117-367
43	22117-368



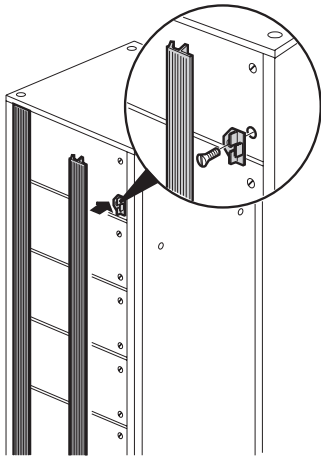
SZA45958



For further information www.schroff.us/oneclick
oneClick code = Order no.

Eurorack Cabinet Platform

Screw cover for 19" eurorack



- Screw cover for decorative design of the 19" front. The front panels are covered from the edge by 22 mm.

Delivery comprises (Kit)

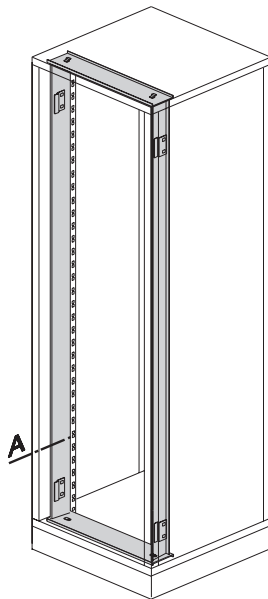
Item	Qty	Description
1	2	Panels, aluminium extrusion, RAL 7030 dark grey

Order Information

For Cabinet height	Order no.
U	
34	20117-790
38	20117-791
43	20117-793
Assembly parts mounting clips, 10 pieces	21100-372

Decorative cover plates

- For recessed installation of the 19" panel mounts in a eurorack Universal cabinet, decorative cover plates can be used. They cover the entire gap between the 19" plane and the cabinet frame.



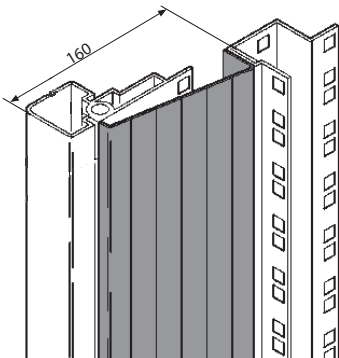
ERTP0050

Delivery comprises

Item	Qty	Description
1	1	Side trims, 1 mm steel, RAL 7030 dark grey
2	2	Cross covers, 1 mm steel, RAL 7030 dark grey
3	1	Set of assembly parts

Order Information

For Cabinet height	Order no.
U	
34	21117-136
38	21117-137
43	21117-138



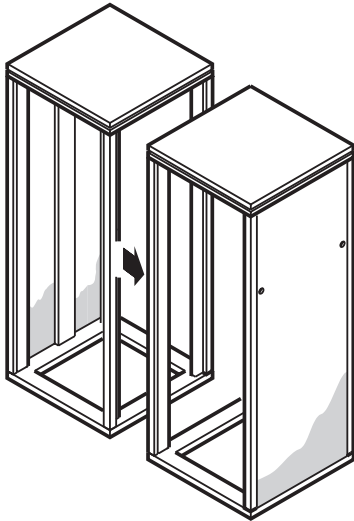
ERA43102



For further information www.schroff.us/oneclick
oneClick code = Order no.

Eurorack Cabinet Platform

Side-by-side (ganging) mounting kit



ERTP0070

- The side-by-side mounting kits for 19" eurorack and Universal eurorack are used to bolt together two cabinets

Delivery comprises

Item	Qty	Description
1	1	Sealing strip made of PU foam
2	1	Set of assembly hardware

Order Information

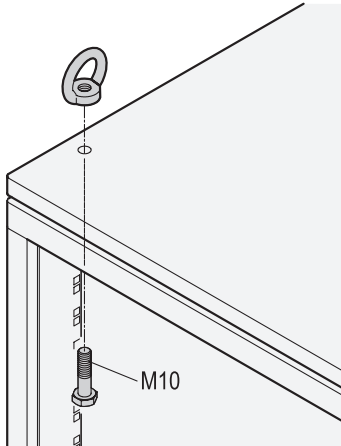
Description	19" eurorack Order no.	Universal eurorack Order no.
Side-by-side mounting kit	20117-156	20117-515



For further information www.schroff.us/oneclick
oneClick code = Order no.

Eurorack Cabinet Platform

Lifting eyes



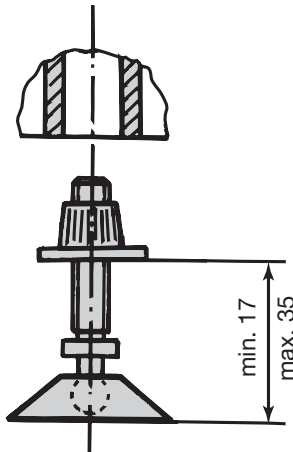
Delivery comprises

Item	Qty	Description
1	4	Zinc-plated lifting eyes

Order Information

Description	Order no.
Lifting eyes	20117-080

Adjustable support feet

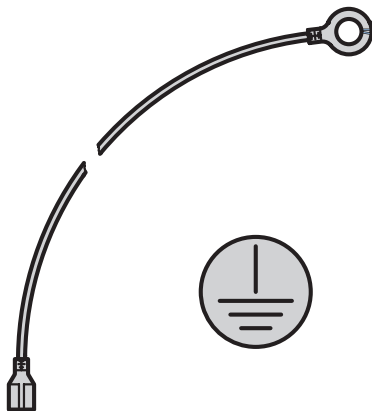


- For level balancing of cabinet on uneven floors
- Load-carrying capacity 220 lbs per foot

Order Information

Description	Qty	Order no.
Adjustable support feet	4	21101-201

Earthing kit



- 4 mm copper wire with PVC sleeve, color yellow/green
- Enables IEC-compliant GND/earthing

Order Information

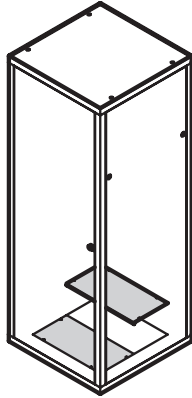
Type	Qty	Order no.
For frame, doors, side panels, top cover and base plate	1	21101-539
For shelf, stationary	1	21101-541
Earthing kit	1	21101-178



For further information www.schroff.us/oneclick
oneClick code = Order no.

Eurorack Cabinet Platform

Base plate



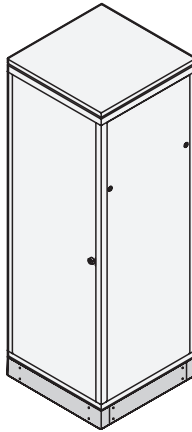
ERA45343

- Two-part

Order Information

For cabinets W x D mm	Order no.
600 x 600	21117-050
600 x 800	21117-051

Stationary base/plinth



ERA44532

- Height 100 mm, diecast corner pieces, 4 removable panels, 2.5 mm steel plate, RAL 7030 dark grey

Order Information

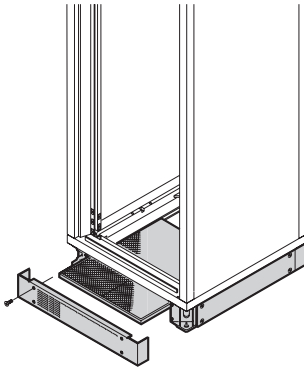
For cabinets W x D mm	Order no.
600 x 600	21117-432
600 x 800	21117-433



For further information www.schroff.us/oneclick
oneClick code = Order no.

Eurorack Cabinet Platform

Base/plinth with ventilation



ERTP0057

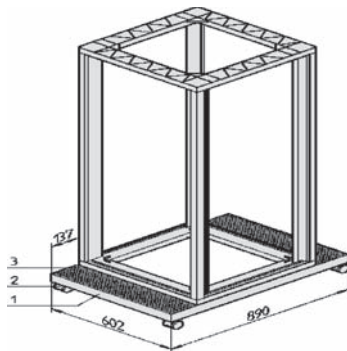
- Height 100 mm, diecast corner piece, 4 removable panels, 2.5 mm steel plate, front and rear panel with ventilation slots, RAL 7030 dark grey
- Optional extras:
 - Filter mat, whole depth (see below)
 - Filter mat, shortened (see below)
 - Base plate with cable ducting (see below)

Order Information

Cabinet dimensions W x D	Ventilated plinth	Filter mat, whole depth (3 pieces)	Filter mat, shortened (3 pieces)
mm	Order no.	Order no.	Order no.
600 x 800	21117-458	60114-515	60114-514
600 x 600	21117-457	60114-514	60114-513
Base plate for cable ducting			21117-941

Mobile base/plinth

- For cabinet width 600 mm and depth 600/800 mm



ERA45323

Delivery comprises

Item	Qty	Description
1	1	Base/plinth, diecast aluminium, RAL 7030 dark grey
2	4	Casters, polyamide, loading capability 660 lbs
3	2	Rubber mats, black, self-adhesive 3 mm thick
4	1	Set of assembly hardware

Order Information

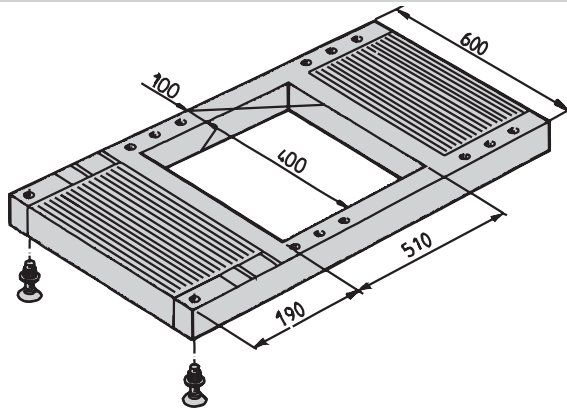
Description	Order no.
Mobile base/plinth	20117-504



For further information www.schroff.us/oneclick
oneClick code = Order no.

Eurorack Cabinet Platform

Leveling foot for mobile base/plinth



A42574

- The leveling feet can be mounted from below on the front corners. They are adjustable from above using a screwdriver.

Order Information

Description	Qty	Order no.
Leveling foot for mobile base/plinth	2	20117-503

Casters

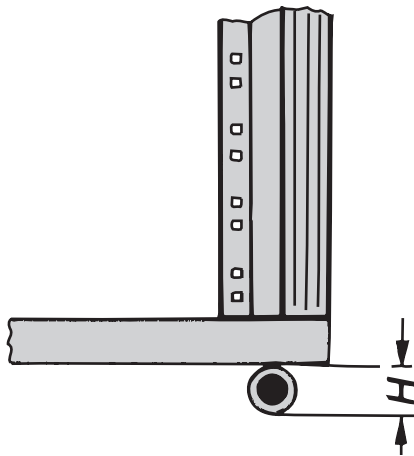
- 275 lbs per caster

Delivery comprises

Item	Qty	Description
1	2	Casters locking
2	2	Casters non-locking

Order Information

Description	Height mm	Order no.
Casters	110	20117-024



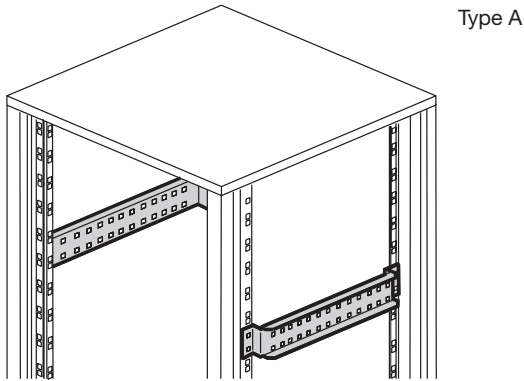
A 471



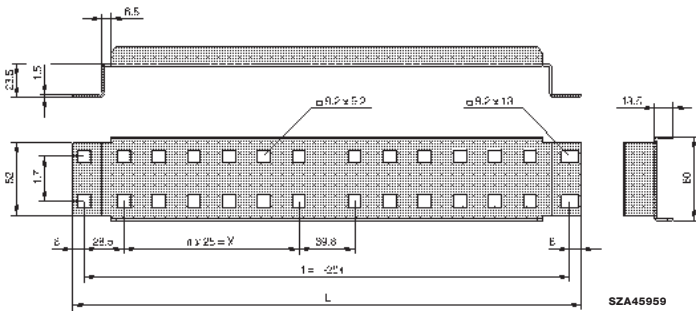
For further information www.schroff.us/oneclick
oneClick code = Order no.

Eurorack Cabinet Platform

Depth member for 19" eurorack, fixed panel mounts



ERTP0043



SZA46959

Delivery comprises

Item	Qty	Description
1	1	Depth members (2.5mm yellow zinc-plate finish)

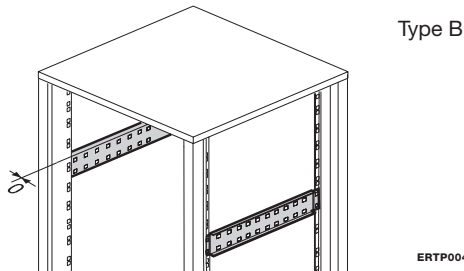
Order Information

For Cabinet width mm	For Cabinet depth mm	Order no.
600	600	30117-709
600	900	30117-710
600	900	30117-708

Assembly Hardware

Item	Description	Order no.
1 kit	Sufficient for 2 depth members	21100-547
1 kit	Sufficient for 20 depth members	21100-742

Depth member for Universal eurorack



ERTP0045

Delivery comprises

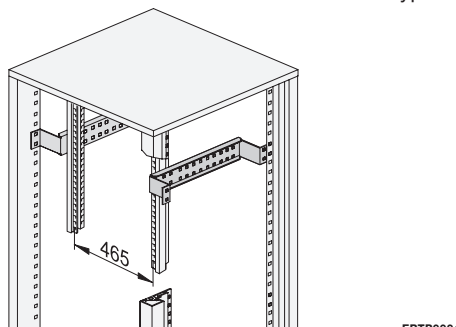
Item	Qty	Description
1	1	Depth member, St 2.5 mm, (yellow zinc-plate finish)

Order Information

Type	Cabinet type	Cabinet W x D	Order no.
B	universal	600 x 600	30117-696
		700 x 800	30117-697
C*	universal	700 x 800	30117-698

* Type 'C' depth members maintain 19" panel mounts, positioned centrally, in a wide cabinet

Reducing depth member



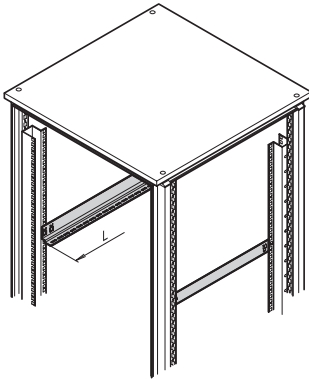
ERTP0044



For further information www.schroff.us/oneclick
oneClick code = Order no.

Eurorack Cabinet Platform

Slide rail



- For safe and simple installation of heavy 19" equipment.
- The rails are attached to the 19" panel mounts
- Can be installed in 1 U increments
- Load-carrying capacity max. 55 lbs per pair

Delivery comprises

Item	Qty	Description
1	1	Slide rail for attachment, 1.5 mm steel, yellow zinc-plate finish

Order Information

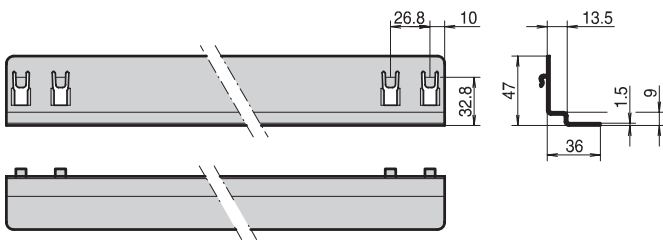
For Cabinet depth	Order no.
mm	
600	30117-415
900	30117-416
900	30117-417
Assembly hardware (for 10 slide rails)	21100-046

Note

- Slide rails can only be mounted to 19" cabinet upright panel slide mounts
- Special depths available, please contact our technical support department

L = length

PLA45437



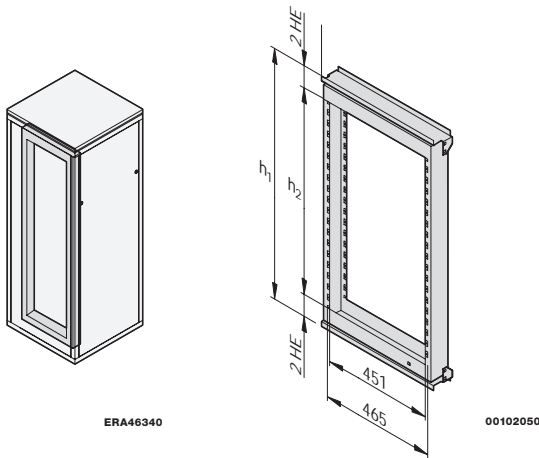
PLB45481



Eurorack Cabinet Platform

19" swing frame

- The pivot point is optional on either the right or on the left.
- Load-carrying capacity: 330 lbs



Delivery comprises

Item	Qty	Description
1	1	19" swing frame, 2 mm steel, RAL 7035 light grey
2	2	Support bars, 3 mm steel, RAL 7035 light grey, including assembly hardware
3	2	Square locks, 8 mm square locks including 2 keys

Order Information

For Cabinet height	Usable height h2	Order no.
U	U	
19	15	22117-429
25	21	22117-430
34	30	22117-431
39	34	22117-432
43	39	22117-433
47	43	22117-434

h1= for cabinet height, h2= useable height

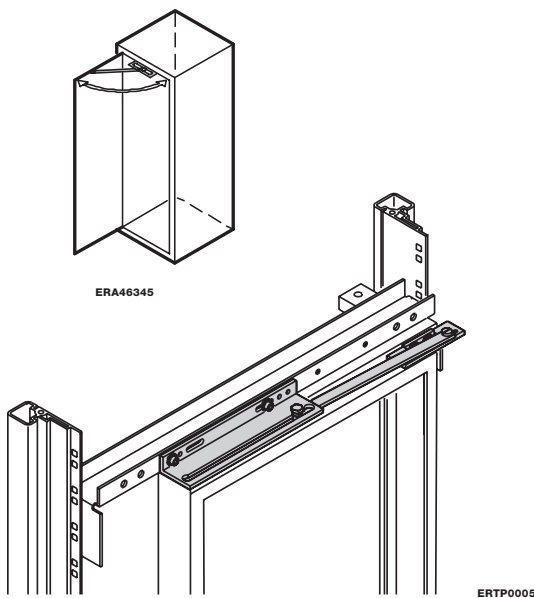
Swing frame stop

Delivery comprises

Item	Qty	Description
1	1	Stop, steel, RAL 7030 dark grey

Order Information

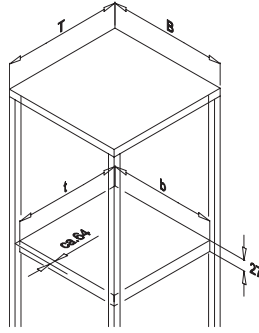
	Order no.
Swing range max. 120°	21114-998
Swing range max. 160°	21114-997



For further information www.schroff.us/oneclick
oneClick code = Order no.

Eurorack Cabinet Platform

Stationary shelf (19" eurorack)



ERA46350

b = shelf width, t = shelf depth,
B = cabinet width, T = cabinet depth

- For assembly on the four cabinet uprights (fixed)
- 2 assembly options:
 - Type A: maximum surface area or recessed installation
 - Type B: reduced surface width for, e.g. cable ducting
- Load-carrying capacity: 165 lbs

Delivery comprises

Item	Qty	Description
1	1	Set of mounting brackets (only required for type B), Material: 1.5 mm steel plate, RAL 7035 light grey
2	1	Earthing kit
3	1	Shelf support

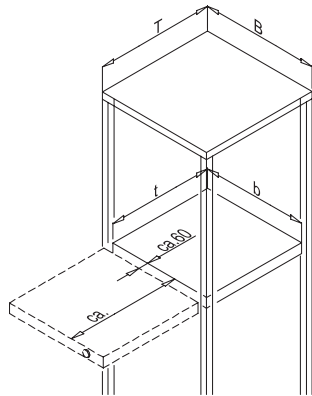
Order Information

Cabinet dimensions B x T	max. usable surface b x t	Full depth	Recessed installation (t-100)	Recessed installation (t-200)	Depth member for shortened version
mm	mm	Order no.	Order no.	Order no.	Order no.
600 x 600	477 x 443	21127-162	21127-161	21127-160	22117-376
600 x 800	477 x 643	21127-163	-	21127-162	22117-377

Note

- If shortened stationary shelves are used, additional depth members and 19" panel mounts must be ordered.

19" shelf, telescopic (19" eurorack)



ERA46352

- For assembly on the four cabinet uprights (fixed)
Load-carrying capacity: 110 lbs
- Assembly: attach telescopic slide rails in cabinet upright, bolt-on shelf

Delivery comprises

Item	Qty	Description
1	1	Shelf, 1.5 mm steel, RAL 7035 light grey, with perforation, attached in cabinet upright using telescopic slides
2	1	Set of assembly hardware

Order Information

Cabinet dimensions B x T	max. usable surface b x t	Full depth	Recessed installation (t-100)	Recessed installation (t-200)	Telescopic slides
mm	mm	Order no.	Order no.	Order no.	Order no.
600 x 600	403 x 460	21127-189	21127-188	-	22114-340
600 x 800	403 x 660	21127-191	21127-190	21127-189	22114-342

Note

- Smaller shelves can also be mounted on the telescopic slide rails (max. 200 mm shorter)
- Please order shelf support separately



For further information www.schroff.us/oneclick
oneClick code = Order no.

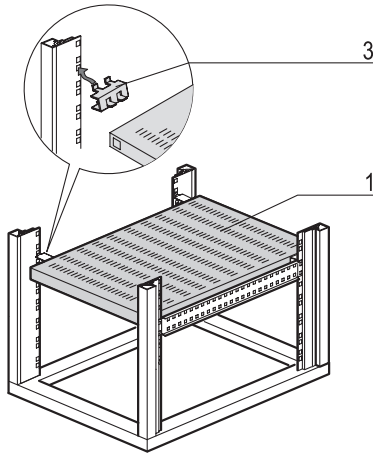
Eurorack Cabinet Platform

Stationary shelf (universal, adjustable panel mounts)

- Load-carrying capacity: 165 lbs
- Assembly: using supplied mounting bracket inserted in universal upright

Delivery comprises

Item	Qty	Description
1	1	Shelf, 1.5 mm steel, RAL 7035, assembly kit required
2	1	Set of assembly parts



ERTP0016

Order Information

Cabinet dimensions B x T	max. usable surface b x t	Full depth	Recessed installation (t-100)	Recessed installation (t-200)	Depth member for shortened version
mm	mm	Order no.	Order no.	Order no.	Order no.
600 x 600	526 x 459	24127-022	24127-021	-	22117-389
600 x 800	526 x 659	24127-024	24127-023	24127-022	22117-390

Note

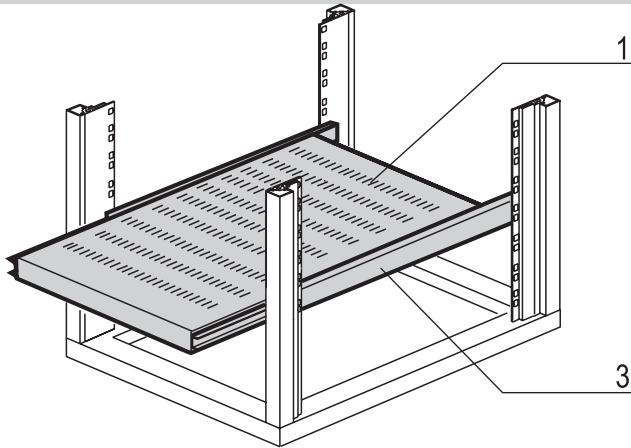
- If shortened stationary shelves are used, an additional set of depth members incl. assembly part kit must be ordered.



For further information www.schroff.us/oneclick
oneClick code = Order no.

Eurorack Cabinet Platform

Telescopic shelf (universal, adjustable panel mounts)



ERTP0018

- For eurorack universal
- Load-carrying capacity: 110 lbs

Delivery comprises

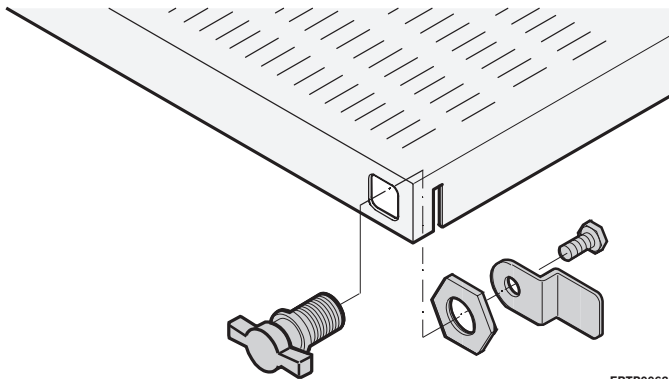
Item	Qty	Description
1	1	Shelf, 1.5 mm steel, RAL 7035, order T-bar lock and telescopic slide rail separately (see table below)
2	1	Set of assembly hardware

Order Information

Cabinet dimensions B x T	max. usable surface b x t	Full depth	Recessed installation (t-100)	Recessed installation (t-200)	Telescopic slides
mm	mm	Order no.	Order no.	Order no.	Order no.
600 x 600	452 x 460	24127-002	24127-001	-	22114-340
600 x 800	452 x 660	24127-004	24127-003	24127-002	22114-342

T-bar lock

- The T-bar lock can be fitted optionally on the right or left in telescopic shelves.



ERTP0063

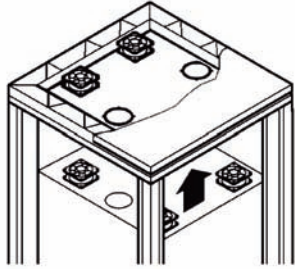
Order Information

Description	Order no.
T-bar lock	21101-132



For further information www.schroff.us/oneclick
oneClick code = Order no.

Eurorack Cabinet Platform



Fan Trays

- 19" Fan tray kits are offered with 4 axial fans
- Fan tray does not occupy any cabinet useable space

Delivery comprises

Qty	Description	Material	Finish
1	Fan tray	St 1.5mm	Powder-coated RAL 7030 dark grey
2	Cover	PE soft	
4	Axial fans		
1	Protective grill	Plastic UL 94 V-0	Black
1	Line cord (6 1/2")		With 3-prong plug (IEC)

Technical data (for 1 axial fan)

Voltage	V	110/115
Frequency	Hz	60
Air volume	CFM	77
Noise level	dBA	38
Ambient temperature	C°	-40 to +70
Power consumption	W	11

Order Information

Width x Depth	Fan tray Order No. with 4 axial fans
600 x 600	20107-086
600 x 800	20107-087
700 x 800	20107-089



For further information www.schroff.us/oneclick
oneClick code = Order no.

Outdoor Aluminum Enclosures



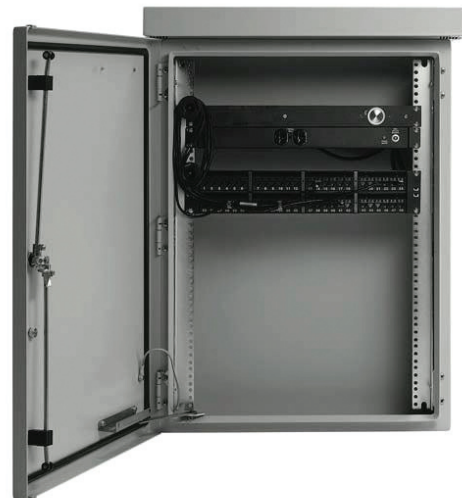
- Thermal solutions in partnership with McLean Thermal
- Environmental testing and certification to the most stringent standards and specifications
- Customization and modification expertise to meet customer specific requirements
- Multiple manufacturing facilities with global delivery and support
- Experienced project management ready to support your project through its entire life cycle



OASIS Outdoor Enclosures are designed to customer specification and built to order. The products shown in this catalog are designed as platforms; starting points for your specific design. The standard design practices defined in these platform products saves development time, manufacturing cost and is backed up by hundreds of designs that have passed environmental testing and are deployed in the field. Contact Schroff today to start your outdoor enclosure project on the path to success!

Common Modifications

- Enclosure dimensions
- Cable entry points
- Enclosure mounting
- Internal mounting
- Door latches & hinges
- Access panels
- Battery compartments
- Venting & cooling
- Thermal solutions
- Equipment integration
- AC power & wiring



Outdoor Aluminum Enclosures

Oasis MicroRTC (Remote Terminal Cabinet)

OASIS MicroRTC (Remote Terminal Cabinet) is the smallest member of the OASIS series, an Outdoor Aluminum Enclosure by Schroff designed to withstand the harsh outdoor environment and provide a safe haven for your electronic equipment. This enclosure is particularly suitable for applications holding a small amount of 19" rack-mount equipment in a very compact enclosure. This is accomplished by orienting the 19" equipment in a vertical position, rather than horizontally.

Applications

Typical applications are: Base Stations, WiMAX, E911 subscriber location services, ADSL, DSL, T-1, POTS and ISDN. The cabinet design provides a dust and moisture free environment that is sealed to NEMA4X and Telcordia GR487 requirements. It is available with a front and rear door, or a front door only configuration. The usual mounting means are either pole mounting or wall mounting in locations such as rooftops or towers. Schroff will consult with you to meet your needs and requirements in the most efficient cabinet possible. We can supply integrated cabinet solutions that include the Subracks or Chassis, such as MicroTCA, AC power, and thermal solutions, or cabinets ready for your own integration resources.

Highlights/Features

- Entire cabinet is fabricated from marine-grade aluminum with stainless steel fasteners
- All seams are continuously welded and ground smooth
- Equipment compartment can be configured with 19" or 23" mounting rails
- Rack mounting capacity from 5U (8.75") to 10U (17.50")
- Grounding stud on body and bonding provisions on door.
- Equipment compartment has full access doors on front and rear or on front only.
- Pole mounting and wall mounting provisions are included
- Foam-in-Place gasket
- Solar shield is optional (shown installed)
- A variety of door latches are available, typical solution is a padlockable "L" handle
- Lifting provisions are available as an option
- Cabinets can be equipped with a heat exchanger or air conditioner (heat exchanger is pictured)
- Cooling capacity from 40 W to 600 W
- Heating capacity to 400 W
- Insulation is available as an option
- EMI/RFI shielding is available as an option
- Finish is outdoor-grade polyester powder, available in a variety of colors (RAL9003 Signal White is pictured)
- Anti-graffiti finish is also available
- Each cabinet is backed by Schroff's 50 years of experience in the world's most demanding environments.

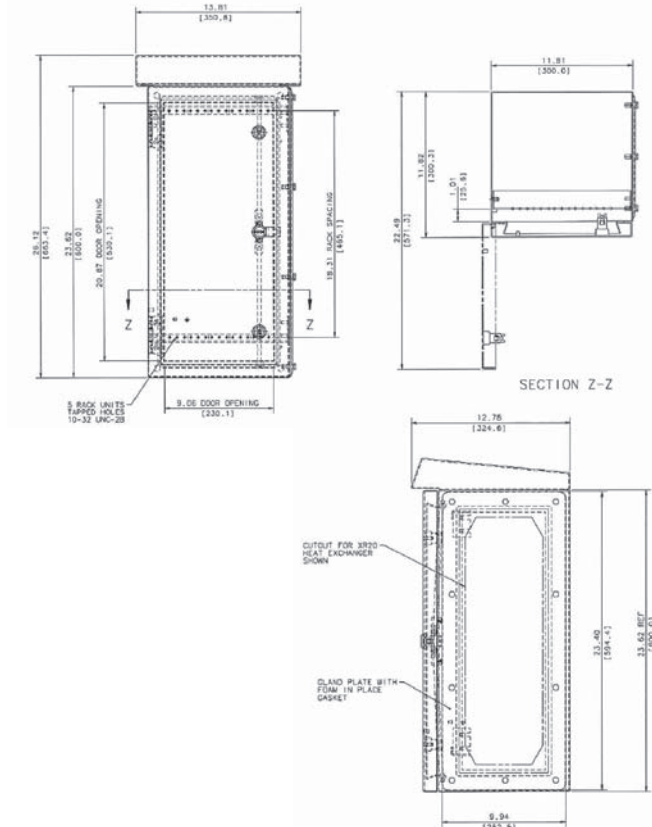


For further information www.schroff.us/oneclick
oneClick code = Order no.

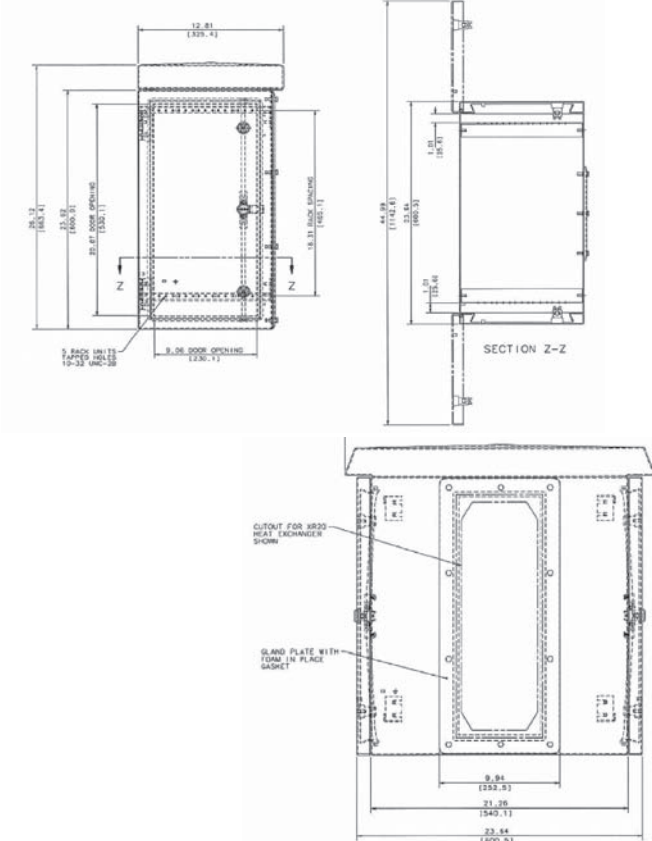
Outdoor Aluminum Enclosures

Oasis MicroRTC (Remote Terminal Cabinet)

5RU Micro RTC Dimensions



10RU Micro RTC Dimensions



Accessories

- Clip Nut Package
- Handle Options
- Mounting Bracket Kit
- Mounting Panel
- Pole Mounting Kit
- Rack Angles
- Cable Management

Industry Standards

- Compliant with Telcordia GR-487-CORE
- Equipment compartment sealed to NEMA4X
- Optionally, compartment can be ventilated to NEMA3R
- UL and CSA listings are available
- EIA 310-D

Our Laboratory Facilities

Schroff has the industry's most comprehensive testing capabilities. We can provide validation of your specific product requirements, including:

- NEMA testing
- UL testing
- Seismic testing
- Vibration & shock
- Thermal performance
- Fire resistance
- Wind resistance
- Paint finish
- Salt spray corrosion
- Acoustical Noise
- Electromagnetic compliance
- Dust tightness
- Impact & firearms resistance

Customization Available

Schroff will consult with you to meet your requirements and accelerate time-to-market. We recognize the fast-paced, changing environment in the industry and provide the capability to help reduce your design and development costs and deliver product on schedule.

Order Information

Description	Order no.
Midsize 5U	OASECL603030
Midsize 10U	OASECL606030



For further information www.schroff.us/oneclick
oneClick code = Order no.

Outdoor Aluminum Enclosures

Oasis Midsize Cabinet Packages

Application

Lightweight, corrosion-resistant aluminum enclosure secures and protects sensitive rack mounted equipment. Particularly appropriate for back haul, DSL, and infill applications. Ready-to-use package includes top-mounted solar shield, one set of rack angles, doorstop, solid gland plate on latch side, sturdy padlocking L-Handle, rear panel mounting studs for wood panel, door alarm switch, and grounding provisions

- Solar shield helps keep enclosure interior cool when cabinet is installed outdoors and directs liquids away from cabinet opening; can be removed for indoor installations
- Foam-in-place gasket provides environmental seal
- Padlocking L-Handle provides a tight, secure door seal
- Doorstop holds door in place during service for easier and faster maintenance
- Heavy duty hinged door is easily removed to facilitate equipment installation and removal. Maximum door load 50 lbs (22.7 kg)
- Rack angles adjustable front to rear of cabinet
- Gland plates available with cut-outs that fit air conditioners and heat exchangers
- Radius corners on cabinet eliminate sharp edges
- Stainless steel fasteners resist corrosion to maintain professional appearance

Construction

- Type 5052-H32 aluminum. Door is .100 in. thick; body is .100 or .125 in. thick, depending on cabinet size
- Seams continuously welded and ground smooth for a finished appearance
- Body includes studs for ground bar and rear mounting studs for wood panel

Finish

RAL 7035 light textured low gloss polyester urethane powder coating over an iron phosphate treated surface. Custom finishes available.

Industry Standards

UL 508A Type 3, 3R, 4, 4X, 12
 CSA Type 3, 3R, 4, 4X, 12
 NEMA/EEMAC Type 3, 3R, 4, 4X, 12
 EC60529, IP66
 Designed to meet NEBS-Telcordia GR487, GR63, IEC 48D EIA 310-D with 19 in. spacing for rack equipment
 Meets BICSI TDMM, Tenth Edition, Chapter 7, Telecommunication Enclosures (TE)
 Cabinet is RoHS compliant

Accessories

See following pages for available accessories.

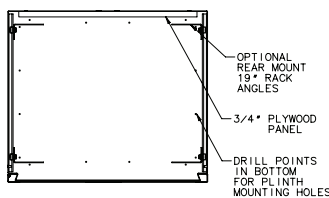
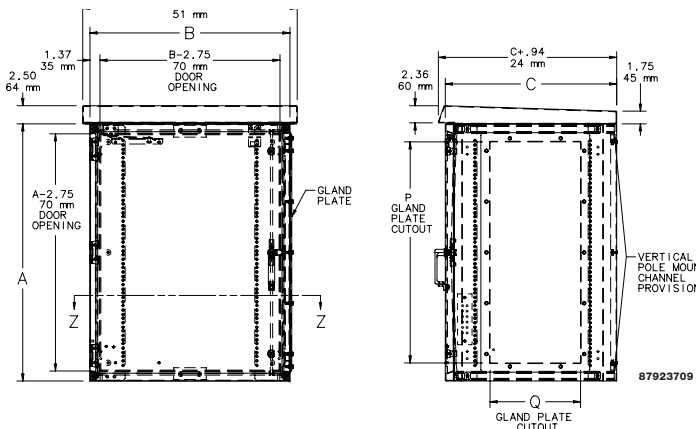
Standard Sizes OASIS Wall-Mount Enclosure Packages

Order Information

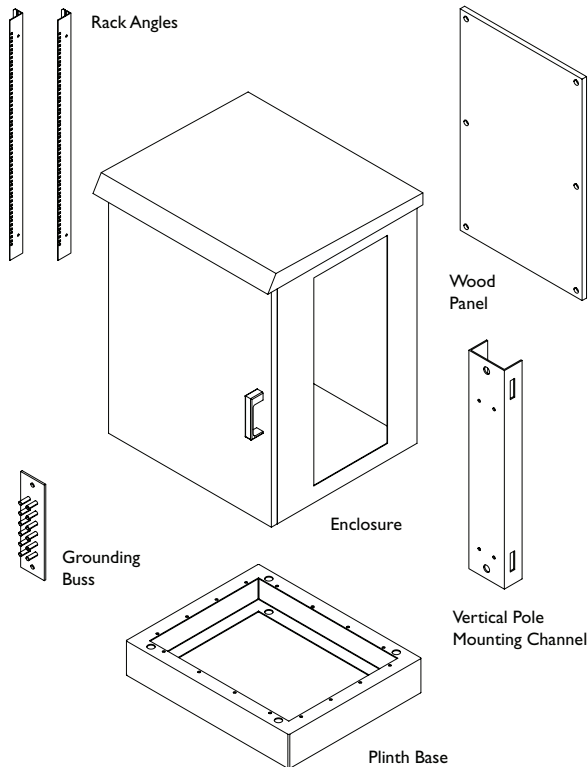
A x B x C (in.)	Nominal Size (mm)	Rack Units	Order no.
23.62 x 23.62 x 19.68	600 x 600 x 500	12	OASECL606050P
33.43 x 23.62 x 19.68	900 x 600 x 500	18	OASECL906050P
33.43 x 27.56 x 23.62	900 x 700 x 600	18	OASECL907060P
47.24 x 27.56 x 23.62	1200 x 700 x 600	25	OASECL1207060P



For further information www.schroff.us/oneclick
 oneClick code = Order no.



Outdoor Aluminum Enclosures



87924162

Oasis Midsize Cabinet Packages

Rack Angles

Rack angles are made of 12 gauge, self-grounding plated steel and are grounded to the cabinet body through the mounting bolts. Square mounting holes meet EIA standard.

Order Information

Rack Width	RU	Use with Cabinet (Height x Width)	Order no.
19 in.	12	600 x 600mm	OASERA196S
19 in.	18	900 x 600mm	OASERA199S
19 or 23 in.	18	900 x 700mm	OASERA199S
19 or 23 in.	25	1200 x 700mm	OASERA199S

Vertical Pole Mount Channel

Vertical pole mount channel facilitates pole-mounting the Oasis package. It includes the bracket and hardware to mount the channel to the cabinet. No drilling into cabinet required to install.

Order Information

Description	Use with Cabinet	Order no.
Vertical Pole Mount Channel 600	600mm tall	OASEPMC6
Vertical Pole Mount Channel 900	900mm tall	OASEPMC9
Vertical Pole Mount Channel 1200	1200mm tall	OASEPMC12

Gland Plate

Gland plates are made of .100 in. thick aluminum, finished to match the cabinet. They include a factory-installed foam-in-place gasket, stainless steel hardware, and grounding provision. The installed gland plate maintains the cabinet rating.

Order Information

Description	Nominal Height x Width (mm)	Order no.
Solid small	508 x 381	OASEGPS1
Solid large	838 x 381	OASEGPS2
AC cut-out for T15	508 x 381	OASEGPACT15
AC cut-out for T20	838 x 381	OASEGPACT20
AC cut-out for CR23	838 x 381	OASEGPACCR29
Heat exchanger cut-out for XR20	838 x 381	OASEGPHX20
Heat exchanger cut-out for XR29	838 x 381	OASEGPHX29

Plinth Base

The plinth base provides additional cable management space. It adds an additional 5.00 in. (127mm) height to the cabinet. The base is made of aluminum painted RAL 7035 Light Gray

Order Information

Rack Width	Use with Cabinet (Width x Depth x Height)	Order no.
Plinth Base	700 x 600 x 127mm	OASEPL7060

Wood Panel

Wood panels are made of 3/4 in. plywood, precut and predrilled to install on panel mounting studs in the rear of the cabinet.

Order Information

Height x Width (mm)	Use with Cabinet (Height x Width)	Order no.
524mm x 524mm	600 x 600mm	OASE60P60W
824mm x 524mm	900 x 600mm	OASE90P60W
824mm x 624mm	900 x 700mm	OASE90P70W
1124mm x 624mm	1200 x 700mm	OASE90P70W

Ground Buss

This copper ground buss provides wiring tie points within the cabinet. Mounts on studs provided on cabinet side. Tie point spacing is 3/4 in. pair to pair and 5/8 in. across each pair. Ground studs are 1/4-20 x .75 in. on 3/4 in. centers.

Order Information

Description	Order no.
6 position, double lug buss	OASEGGB1
12 position, double lug buss	OASEGGB2



For further information www.schroff.us/oneclick
oneClick code = Order no.

Outdoor Aluminum Enclosures

FTTX Fiber Optic Cabinet Packages



Application

Lightweight, corrosion-resistant aluminum enclosure secures and protects sensitive rack mounted equipment. Particularly appropriate for back haul, DSL, and infill applications. Ready-to-use package includes top-mounted solar shield, one set of rack angles, doorstop, solid gland plate on latch side, sturdy padlocking L-Handle, rear panel mounting studs for wood panel, door alarm switch, and grounding provisions

Features

- Solar shield helps keep enclosure interior cool when cabinet is installed outdoors and directs liquids away from cabinet opening; can be removed for indoor installations
- Foam-in-place gasket provides environmental seal
- Padlocking L-Handle provides a tight, secure door seal
- Doorstop holds door in place during service for easier and faster maintenance
- Heavy duty hinged door is easily removed to facilitate equipment installation and removal. Maximum door load 50 lbs (22.7 kg)
- Rack angles adjustable front to rear of cabinet
- Gland plates available with cut-outs that fit air conditioners and heat exchangers
- Radius corners on cabinet eliminate sharp edges
- Stainless steel fasteners resist corrosion to maintain professional appearance

Construction

- Type 5052-H32 aluminum. Door is .100 in. thick; body is .100 or .125 in. thick, depending on cabinet size
- Seams continuously welded and ground smooth for a finished appearance
- Body includes studs for ground bar and rear mounting studs for wood panel

Finish

RAL 7035 light textured low gloss polyester urethane powder coating over an iron phosphate treated surface. Custom finishes available.

Industry Standards

UL 508A Type 3, 3R, 4, 4X, 12

CSA Type 3, 3R, 4, 4X, 12

NEMA/EEMAC Type 3, 3R, 4, 4X, 12

EC60529, IP66

Designed to meet NEBS-Telcordia GR487, GR63, IEC 48D EIA 310-D with 19 in. spacing for rack equipment

Meets BICSI TDM, Tenth Edition, Chapter 7, Telecommunication Enclosures (TE)

Cabinet is RoHS compliant

Accessories

See following pages for available accessories.



For further information www.schroff.us/oneclick
oneClick code = Order no.

Outdoor Aluminum Enclosures

FTTX Fiber Optic Cabinet Packages



Door with foam-in-place gasketing and optional insulation



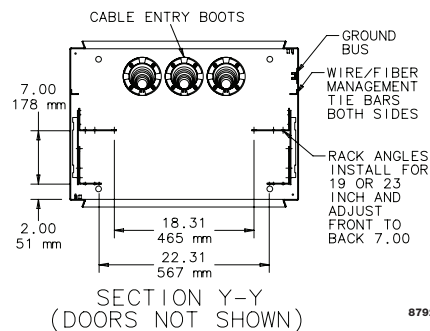
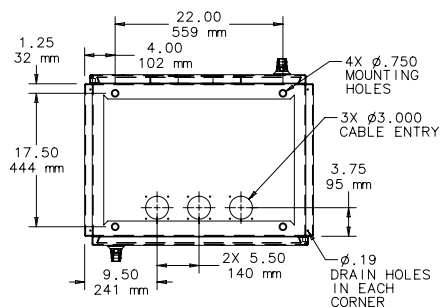
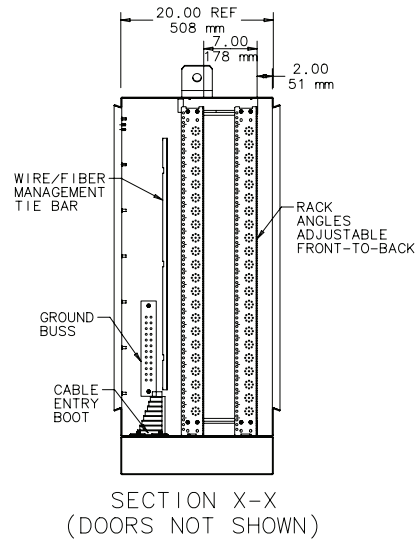
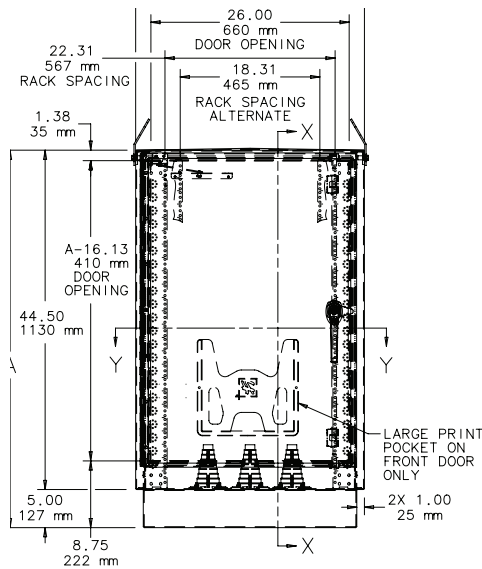
Cable entry boots



19- or 23-inch rack mounting

Standard Sizes FTTX Fiber Optic Cabinets Ordering Information

A x B x C (in.)	A x B x C (mm)	Description	Nominal Size (mm)	Order no.
29.50 x 30.00 x 20.00	749 x 762 x 508	Single-Access	30 x 30 x 20	OAST303020FTTX
49.50 x 30.00 x 20.00	1257 x 762 x 508	Single-Access	50 x 30 x 20	OAST503020FTTX
29.50 x 30.00 x 20.00	749 x 762 x 508	Dual-Access	30 x 30 x 20	OAST303020FTTXDA
49.50 x 30.00 x 20.00	1257 x 762 x 508	Dual-Access	50 x 30 x 20	OAST503020FTTXDA



87924357



For further information www.schroff.us/oneclick
oneClick code = Order no.

Outdoor Aluminum Enclosures

Oasis Multi-Bay Enclosure



Testing Capability at Schroff

With our comprehensive in-house testing facilities, we can provide validation of your specific product requirements, including:

- NEMA testing
- UL testing
- Seismic testing
- Vibration and shock resistance
- Thermal performance
- Fire resistance
- Wind resistance
- Paint finish
- Salt spray corrosion
- Acoustical noise
- Electromagnetic compliance
- Dust tightness
- Impact and firearms resistance

Features

- Main equipment compartment has full access doors on front and rear
- Main equipment compartment can be configured with 19 in. or 23 in. mounting rails
- End compartment can be configured for cross connection and AC power distribution
- Copper bonding bars are provided in the main and end compartments
- Rack mounting capacity from 12RU (21 in.) to 104RU (182 in.)
- Optional battery compartment fits beneath the sealed cabinet
- Removable solar shield and lifting lugs are standard
- Includes mounting provisions for fastening to a concrete or composite pad
- Cabinet can be equipped with a heat exchanger or air conditioner
- Cooling capacity from 500 W to 3,500 W
- Heating capacity to 1,500 W
- Insulation is available
- EMI/RFI shielding is available

Construction

- Cabinet is made from .125 in. thick, Type 5052-H32 aluminum
- Seams continuously welded and ground smooth
- Heavy gauge continuous hinges on all doors
- All fasteners are stainless steel

Finish

Finish is outdoor-grade polyester powder paint (a selection of colors is available, including Telco beige and green). Graffiti-resistant paints are available. Contact your Schroff Sales Office for details.

Industry Standards

EIA 310-D
 Compliant with Telcordia NEBS™ GR-487-CORE
 Main and end compartment are sealed to NEMA4X
 Optional battery compartment is ventilated to NEMA3R
 UL and CSA listings are available
 Cabinet is RoHS compliant

Accessories

- Fans
- Heat Exchangers
- Air Conditioners
- Electric Heaters
- Fan and Heater Thermostats
- Lighting Packages
- Fastener Packages
- Intrusion Alarms

NEBS™ is a trademark of Telcordia.

Application

These outside plant aluminum Oasis cabinets are designed to meet the demanding needs of the telecommunications industry. They are particularly suitable when bringing combined broadband voice, data, and video service to a neighborhood.

Developing the Ideal Configuration

These cabinets are built to your order.

They can be configured for any combination of 19 in. or 23 in. rack mount communication devices, AC power distribution, cross connection, line protection, thermal management, and battery backup.

Schroff will consult with you to help design the most efficient cabinet possible. We can supply either integrated cabinet solutions, including AC power and thermal management, or cabinets ready for your own integration resources to customize.

Contact your local Schroff Sales Office for assistance.



For further information www.schroff.us/oneclick
 oneClick code = Order no.

Outdoor Aluminum Enclosures

Oasis Cabinet Accessories



Door Stop Kit

Secures the door in an open position. Self-actuating. Mounts to top or bottom of door. Made of stainless steel and aluminum. Mounting hardware included.

Order Information

Description	Order no.
Door Stop Kit	OASEDSK

Handle Options

Can be padlocked for added security. Kit includes handle and mounting hardware. Maintains UL Type 4 and NEMA Type 4X ratings.

Order Information

Description	Order no.
Padlocking L-Handle	OASELHP
Padlocking quarter-turn knob, with key	OASEPL4
Locking wing nut with 2 keys, silver finish	OASDL36



Mounting Bracket Kits

Mounting bracket kits include four brackets and associated mounting hardware. Sealing washers provided with each kit maintain Type 4, 4X, or 12 rating after installation.

Order Information

Material	Order no.
Type 304 stainless steel	OASCMFKSS
Composite	OASCMTGFT



Velcro™ Cable Wrap

Securely holds cable to cable manager, yet unfastens easily for cable maintenance. Velcro™ is 0.5 in. (12.7mm) wide. Available in 8 and 12 in. (203 and 305mm) lengths

Order Information

Description	Length (in.)	Length (mm)	Color	Pkg. Qty.	Order no.
Screw fastener style. Includes M5 mounting screw	8	203	Black	10	OASECWTD8B
Screw fastener style. Includes M5 mounting screw	12	305	Black	10	OASECWTD8B
Wrap Style	8	203	Black	10	OASECW8B
Wrap Style	12	305	Black	10	OASECW12B
Wrap Style	8	203	Red	10	OASECW8R
Wrap Style	12	305	Red	10	OASECW12R
Wrap Style	8	203	Blue	10	OASECW8L
Wrap Style	12	305	Blue	10	OASECW12L
Wrap Style	8	203	Yellow	10	OASECW8Y
Wrap Style	12	305	Yellow	10	OASECW12Y



Model with mounting screw shown

Velcro™ is a trademark of Velcro Industries B.V.



For further information www.schroff.us/oneclick
oneClick code = Order no.

Outdoor Aluminum Enclosures

Oasis Cabinet Accessories



Screw and Cage Nut Kits

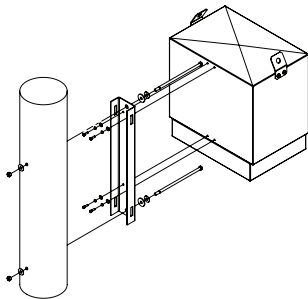
Screw and cage nut kits are for use with square hole rack angles.

Order Information

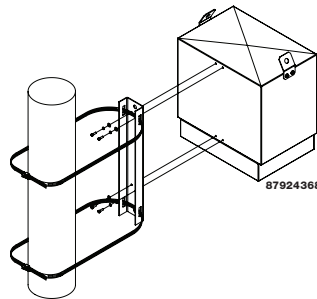
Color	Description	Kit Qty.	Order no.
Screw Kits			
Silver	12	10	OASECW12B
Silver	8	10	OASECW8R
Silver	12	10	OASECW12R
Silver	8	10	OASECW8L
Silver	12	10	OASECW12L
Black	8	10	OASECW8Y

Cage Nut Kits

Silver	M5 cage nut kit	20	OASPM5CN
Silver	M6 cage nut kit	20	OASPM6CN
Silver	M6 cage nut kit	250	OASPM6CN250
Silver	10-32 cage nut kit	20	OASP1032CN
Silver	10-32 cage nut kit	250	OASP1032CN250
Silver	12-24 cage nut kit	20	OASP1224CN



INSTALLATION ON WOOD POLE



INSTALLATION ON CONCRETE OR STEEL POLE

Pole Mount Kit

The pole mount kit installs on the rear of the single-access cabinets using the hardware provided. No drilling or tapping of the cabinet is required. Installation instructions are provided for mounting to various types of poles.

Order Information

Description	Use With	Order no.
Channel and hardware for attaching to cabinet	11U Cabinet	OAST11FTTXPMK
Channel and hardware for attaching to cabinet	23U Cabinet	OAST23FTTXPMK



For further information www.schroff.us/oneclick
oneClick code = Order no.

Cabinet Accessories



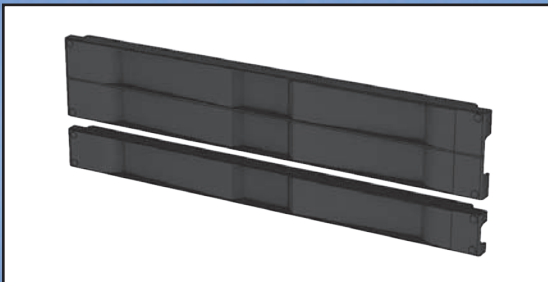
Mechanical Accessories

- Shelves & drawers
- Hardware
- Blanking panels
- Cable management



Power Management Accessories

- Vertical power strips
- 19" rack mount power strips
- 15A & 20A versions



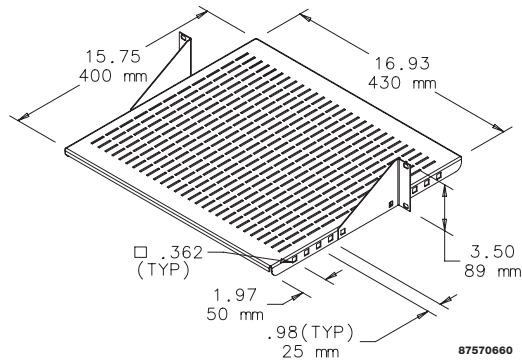
Thermal Management Accessories

- 19" fan trays
- Fan speed controllers
- Filtered fans & exhaust packages
- Air conditioners & heat exchangers



Mechanical Accessories

Adjustable Steel Vented Shelf

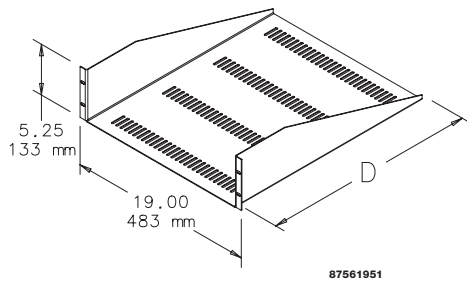


Vented shelf adjustable front to back in 25-mm increments. Shelf mounts to either front or rear flange of open frame rack. Steel with textured black polyester powder paint finish. Load rating: 60 lbs. (27.2 kg)

Order Information

Catalog Number	H x W x D in./mm	Fits Rack	Rack Units
ESHVA19	3.50 x 16.93 x 15.75 89 x 430 x 400	19 in.	2
ESHVA23	3.50 x 19.93 x 15.75 89 x 506 x 400	23 in.	2

Rack-Mount Steel Shelf

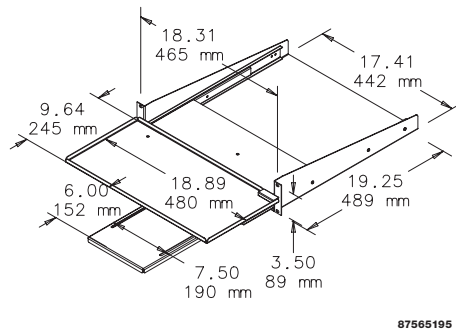


19-in. Rack-Mount Shelf mounts to the front of the rack. Ideal for holding non-19-in. rack-mount equipment. Available with or without vents. Manufactured from 16 gauge steel. Black, low-gloss, lightly textured finish on all surfaces. Load rating: 100 lbs. (45.4 kg)

Order Information

Catalog Number	H x W x D in./mm	Style	Rack Units
EMS1918	5.25 x 19.00 x 18.00 133 x 483 x 457	Solid	3
EMS1922	5.25 x 19.00 x 22.00 133 x 483 x 559	Solid	3
EMSV1918	5.25 x 19.00 x 18.00 133 x 483 x 457	Vented	3
EMSV1922	5.25 x 19.00 x 22.00 133 x 483 x 559	Vented	3

Pivoting Keyboard Shelf with Mouse Tray



Mounts either in a cabinet or on a 19-in. open-frame rack. Shelf pulls out and pivots 90 degrees to access full-size keyboard. Shelf allows keyboard to slide between standard rack angles and includes mouse tray. 16 gauge steel with RAL 9005 black polyester powder paint finish. Keyboard tray extends 9.75 in. (248 mm) beyond front of rack angles or open-frame rack.

Order Information

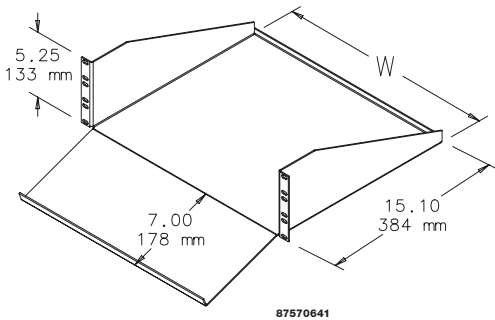
Catalog Number	H x W x D in./mm	Fits Rack	Rack Units
P19KBPVT	3.50 x 18.89 x 19.25 89 x 480 x 489	19 in.	2



For further information www.schroff.us/oneclick
oneClick code = Order no.

Mechanical Accessories

Steel Keyboard/Monitor Shelf

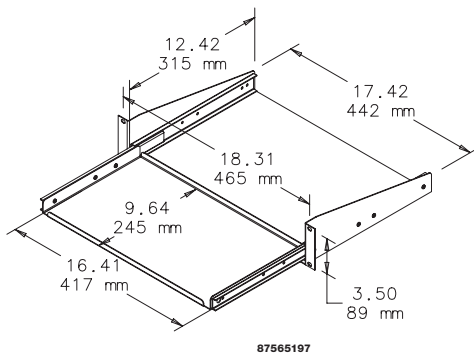


Designed to accommodate a monitor and keyboard in an ergonomically engineered design. Shelf mounts to front flange of open-frame rack. Can mount in a cabinet if rack angles are adjusted back for door clearance. Uses 3U of rack space. 19-in. and 23-in. rack versions. Steel with textured black finish. Load rating: 200 lbs. (91 kg)

Order Information

Catalog Number	H x W x D in./mm	Fits Rack	Rack Units
ESH19KBM	5.25 x 17.38 x 15.10 133 x 441 x 384	19 in.	3
ESH23KBM	5.25 x 21.38 x 15.10 133 x 543 x 384	23 in.	3

Pull-Out Shelf for Mini Keyboard

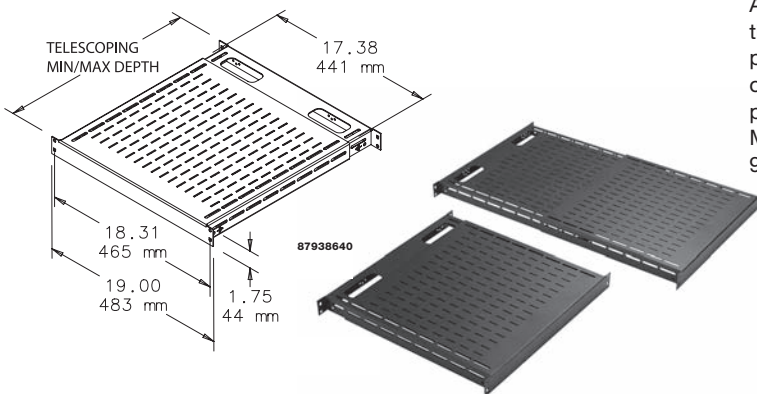


Pull-Out Shelf for Mini Keyboard mounts either in a cabinet or on a 19-in. open-frame rack and fits a 16.25-in. (413 mm) wide keyboard. When closed, all parts slide between rack angles. Keyboard tray slides out 8.94 in. (227 mm). 16 gauge steel with RAL 9005 black polyester powder paint finish.

Order Information

Catalog Number	H x W x D in./mm	Fits Rack	Rack Units
P19KBSM	3.50 x 18.31 x 12.42 89 x 465 x 315	19 in.	2

Tool-less Shelf



An easy-to-install tool-less vented 19-in. shelf. Mounts onto rack angles that have EIA-spaced square holes (.375 in.). Shelf slides open and provides a variable-sized, continuous surface for equipment. Back of shelf has oval cut-outs for power and data cables. Accessory hole patterns at back of shelf fit small and large D-rings to help manage cable. Made of steel with a 150 lbs. (68 kg) static load rating. Available with RAL 9005 black or RAL 7035 gray polyester powder coat finish.

Order Information

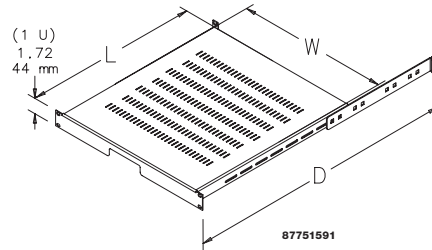
Catalog Number	Description	Finish	Minimum Depth (mm)	Minimum Depth (in.)	Maximum Depth (mm)	Maximum Depth (in.)
D19FVT69B	Shelf, vented, 19 in. tool-less	Black	495	19.50	851	33.50
D19FVT69G	Shelf, vented, 19 in. tool-less	Gray	495	19.50	851	33.50
D19FVT912B	Shelf, vented, 19 in. tool-less	Black	792	31.20	1151	45.30
D19FVT912G	Shelf, vented, 19 in. tool-less	Gray	792	31.20	1151	45.30



For further information www.schroff.us/oneclick
oneClick code = Order no.

Mechanical Accessories

Rack-Mount Adjustable Shelf

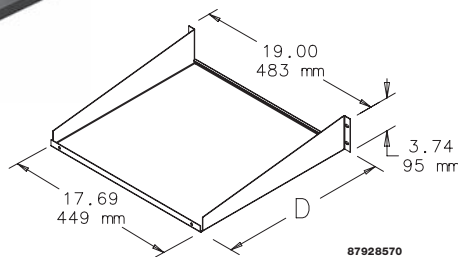


Mounts to front surface of front and back rack angles. Made of 14 gauge steel with adjustable 12 gauge support. Adjustable to fit multiple depth enclosures or rack angle placement. Both solid and vented models available. Fits 19- or 23-in. rack spacing. Requires only 1U of rack space. RAL 7035 light-gray textured or RAL 9005 black textured polyester powder paint finish. Load rating: 150 lbs. (68 kg)

Order Information

Catalog Number	Type	Size	Finish	L x W (mm)	L x W (in.)	D max. (mm)	D max. (in.)	Fits Enclosure Depth Up To (mm)	Fits Enclosure Depth Up To (in.)
P19SH68	Solid	19 in.	Gray	500 x 440	19.68 x 17.32	780	30.71	800	31.50
P19SH68B	Solid	19 in.	Black	500 x 440	19.68 x 17.32	780	30.71	800	31.50
P19VSH68B	Vented	19 in.	Black	500 x 440	19.68 x 17.32	780	30.71	800	31.50
P19SH810	Solid	19 in.	Gray	700 x 440	27.56 x 17.32	980	38.58	1000	39.37
P19SH810B	Solid	19 in.	Black	700 x 440	27.56 x 17.32	980	38.58	1000	39.37
P19VSH810B	Vented	19 in.	Black	700 x 440	27.56 x 17.32	980	38.58	1000	39.37
P23SH68B	Solid	23 in.	Black	500 x 542	19.68 x 21.32	780	30.71	800	31.50
P23VSH68B	Vented	23 in.	Black	500 x 542	19.68 x 21.32	780	30.71	800	31.50
P23SH810B	Solid	23 in.	Black	700 x 542	27.56 x 21.32	980	38.58	1000	39.37
P23VSH810B	Vented	23 in.	Black	700 x 542	27.56 x 21.32	980	38.58	1000	39.37

Single-Sided Shelf



Mounts to 19-in. rack angles to house voice/data networking equipment. RAL 9005 black finish. Load rating: 75 lbs. (34 kg)

Order Information

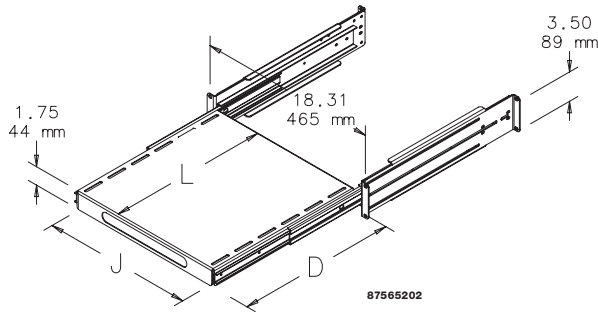
Catalog Number	H x W x D in./mm	Style	Rack Units
ESH198	3.74 x 19.00 x 8.00 95 x 483 x 203	Solid	2
ESH1915	3.74 x 19.00 x 15.00 95 x 483 x 381	Solid	2
ESH1915V	3.74 x 19.00 x 15.00 95 x 483 x 381	Vented	2
ESH1917	3.74 x 19.00 x 17.00 95 x 483 x 432	Solid	2



For further information www.schroff.us/oneclick
oneClick code = Order no.

Mechanical Accessories

Sliding Equipment Shelf



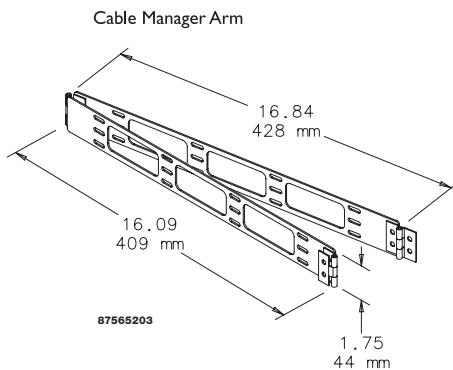
Steel Sliding Equipment Shelf mounts to front surface of front and back rack angles. Models fit 19- or 23-in. rack spacing. Adjusts to fit multiple-depth enclosures and rack angle placements. Shelf can be used on 2-post rack or cabinet with front rack angles only by reversing support bracket. Optional cable manager arm available. 14 gauge steel with 12 gauge supports with RAL 9005 black polyester powder paint finish. Load rating: 150 lbs. (68.0 kg) with four corner mounting; 75 lbs. (34.0 kg) with two-post or front-rack-angle cabinet mounting.

Optional Cable Manager Arm is recommended to help control cable movement as shelf slides in and out.

Order Information

Catalog Number	D (in.)	D (mm)	L (in.)	L (mm)	J (in.)	J (mm)	Shelf Pullout (in.)	Shelf Pullout (mm)	Fits Rack	Rack Units
P19SHP68B	37.40	950	16.72	425	16.20	412	17.00	432	19 in.	2
P19SHP810B	41.30	1050	24.59	625	16.20	412	19.00	483	19 in.	2
P23SHP68B	37.40	950	16.72	425	20.20	513	17.00	432	23 in.	2
P23SHP810B	41.30	1050	24.59	625	20.20	513	19.00	483	23 in.	2

Cable Manager Arm for Sliding Equipment Shelf

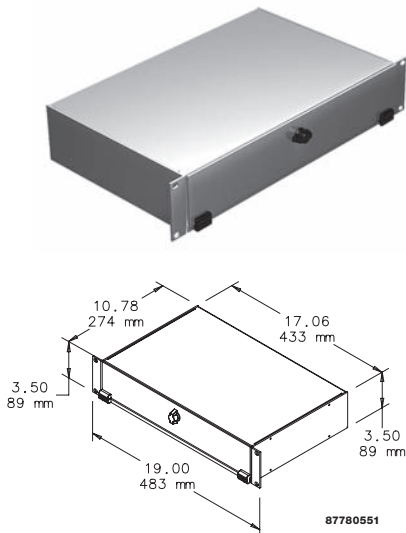


Cable Manager Arm mounts to back of sliding equipment shelf on right or left side. Controls cable movement as shelf slides in and out. 14 gauge steel with RAL 9005 black polyester powder paint finish.

Order Information

Catalog Number	Description	Use With
PHCB	Cable Manager Arm	Sliding Equipment Shelf

Keyboard Compartment for 19-in. Racks



Provides a convenient way to incorporate a keyboard with other 19-in. rack-mounted equipment. Uses 2 RU of space. Made of light-weight aluminum with brushed finish. Accommodates keyboard up to 16.50-in. (419 mm) wide. Mounting hardware included.

Order Information

Catalog Number	Description	Uses Rack Space
A19KBC2B	19 in.	2 RU



For further information www.schroff.us/oneclick
oneClick code = Order no.

Mechanical Accessories

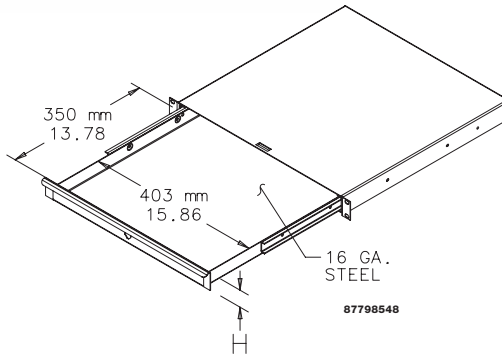
Rack-Angle Mounted Drawer



Steel drawer for 19-in. rack-angle mounting mounts to the front surface of the rack angles. Integral steel box contains the drawer and protects surrounding internal equipment. Extends 13 in. (330 mm) on ball bearing slides. Front includes handle and key lock. Finish is RAL 7035 textured light-gray polyester powder paint. Mounting hardware is included.

Order Information

Catalog Number	H (mm)	H (in.)	Fits Rack	Rack Units
P19DR1US	43	1.69	19 in.	1
P19DR2US	88	3.47	19 in.	2
P19DR3US	132	5.20	19 in.	3



87798548

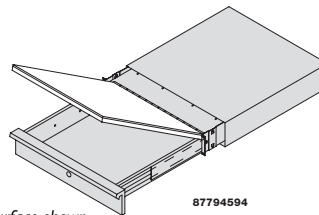
Writing Surface for Rack-Angle-Mounted Drawer



Steel cover mounts on top of the drawer and serves as a writing surface and drawer cover. Finish is RAL 7035 light-gray textured polyester powder paint. Illustration and one photo show writing surface mounted on drawer. Order drawer separately.

Order Information

Catalog Number	Description	Fits
P19WS	Steel writing surface and cover	Drawer (order separately)



87794594

Writing surface shown mounted on drawer



For further information www.schroff.us/oneclick
oneClick code = Order no.

Mechanical Accessories

Fastener Kits



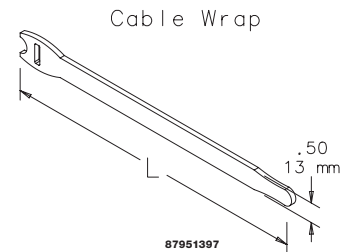
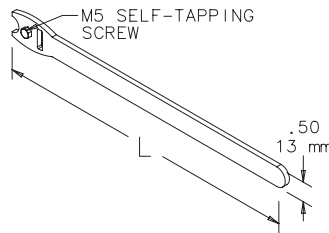
Order Information Screw Hardware Kits

Description	Catalog Number	Kit Qty.
M6 x 16 Cross-Head screws	21100-022	100
M6 Cage Nuts	21100-004	100
Plastic washers M6	21100-016	100
Assembly kit, M6 x 16 Screws, M6 Cage Nuts, Plastic Washers	21101-810	100

VELCRO® Cable Wrap



Securely holds cable to cable manager and unfastens easily for cable maintenance. VELCRO® is 0.5-in. (12.7 mm) wide. Available in 8- and 12-in. (203 and 305 mm) lengths in both screw fastener and wrap styles.



Order Information

Catalog Number	Description	L (in.)	L (mm)	Color	Pkg. Qty.
ECWTD8B	Screw fastener style. Includes M5 mounting screw.	8.00	203	Black	10
ECWTD12B	Screw fastener style. Includes M5 mounting screw.	12.00	305	Black	10
ECW8B	Wrap style	8.00	203	Black	10
ECW8R	Wrap style	8.00	203	Red	10
ECW8BL	Wrap style	8.00	203	Blue	10
ECW8Y	Wrap style	8.00	203	Yellow	10
ECW12B	Wrap style	12.00	305	Black	10
ECW12R	Wrap style	12.00	305	Red	10
ECW12BL	Wrap style	12.00	305	Blue	10
ECW12Y	Wrap style	12.00	305	Yellow	10

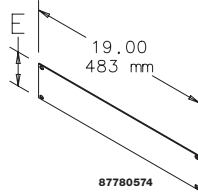
Velcro™ is a trademark of Velcro Industries B.V.



For further information www.schroff.us/oneclick
oneClick code = Order no.

Mechanical Accessories

Rack Panel for 19-in. Racks



Used to cover unused rack space in cabinets or open frame racks for a finished appearance. Can also be used for surface mounting small devices. Panels are flat with mounting slots spaced at 19-in. EIA standard spacing. Made of 12 gauge steel with RAL 9005 black polyester powder paint finish. Mounting hardware sold separately.

Order Information

Catalog Number	Rack Units	E (in.)	E (mm)
P19RPP1UB	1	1.75	44
P19RPP2UB	2	3.50	89
P19RPP3UB	3	5.25	133
P19RPP4UB	4	7.00	178
P19RPP5UB	5	8.75	222
P19RPP6UB	6	10.50	267

Rack Unit Label

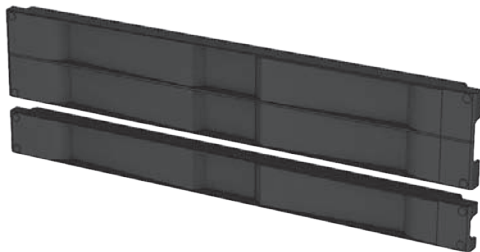


Self-adhesive clear label with white numbers enables numbering along sides of open frame racks or rack angles. Numbers spaced one rack unit apart. Can be used for bottom-up or top-down numbering of rack units to simplify equipment installation. Each label provided in two pieces (numbers 1-29 and 30-58) for easier installation. Two labels per catalog number. Label shown mounted on rack angle.

Order Information

Catalog Number	Installed Length in. (mm)	Width in. (mm)
ARULABEL	101.50 (2578)	.50 (13)

Tool-less (Snap-in) Blanking Panels for 19-in. Racks



These Tool-less Blanking Panels provide easy tool-less installation and ensure proper air flow to equipment. Made of black composite material and can be used with tapped or square EIA universal spaced rack mounting angles.

Order Information

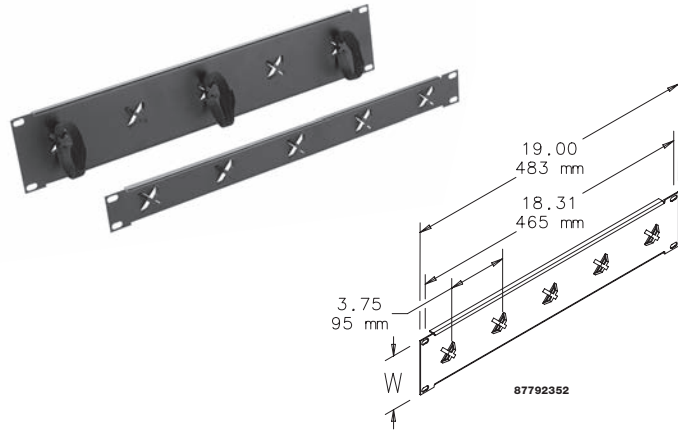
Catalog Number	Description	Rack Units	Fits	Pkg. Qty.
D19BPT1RU	Blanking Panel, 19 in.	1	19 in., universal rack spacing, tapped or square holes	10
D19BPT2RU	Blanking Panel, 19 in.	2	19 in., universal rack spacing, tapped or square holes	10



For further information www.schroff.us/oneclick
oneClick code = Order no.

Mechanical Accessories

Tie-Down Panel

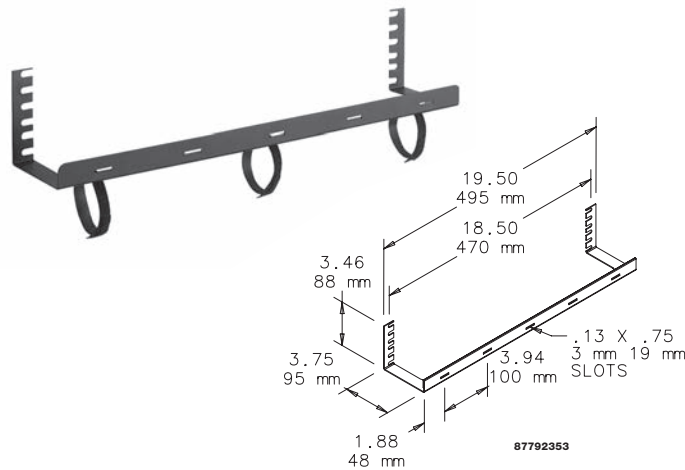


Tie-Down Panels mount horizontally on 19-in. racks. Steel panels with RAL 9005 black polyester powder paint finish have slots for VELCRO® cable wraps. Each panel includes 10 black 8-in. (203 mm) VELCRO cable wraps. Mounting hardware included.

Order Information

Catalog Number	Description	W in. (mm)	Rack Units
ECM19TP1U	19-in. Tie-Down Panel	1.75 (44)	1
ECM19TP2U	19-in. Tie-Down Panel	3.50 (89)	2

Tie Down Rack

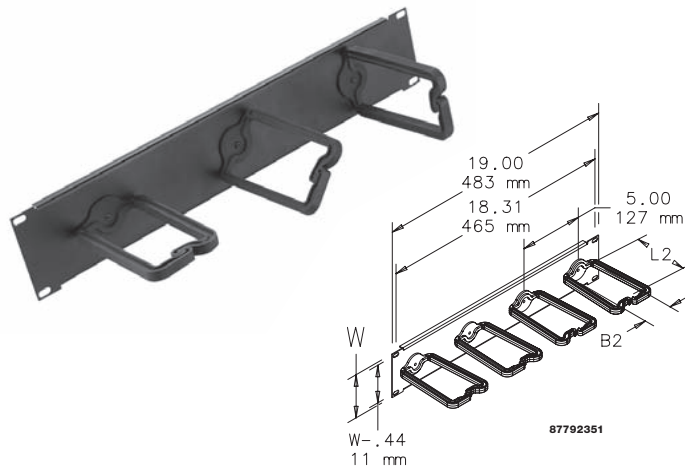


This zero-rack-unit Tie-Down Rack mounts horizontally on 19-in. racks. It takes up minimum space yet effectively controls and separates cable runs. Made of steel with RAL 9005 black polyester powder paint finish. Includes slots for cable wraps. Each rack includes 10 black 8-in. (203 mm) VELCRO® cable wraps. Mounting hardware included.

Order Information

Catalog Number	Description	Rack Units
ECM19TD2U	19-in. Tie Down Rack	0

D-Ring Assembly



Mounts horizontally on 19-in. racks. Allows grouping vertical cable runs. D-Rings rotate on bracket for easy cable positioning; snap open for easy access for cable updates, yet latch securely. Back plate made of steel with RAL 9005 black polyester powder paint finish; D-Rings are black plastic. Mounting hardware included.

Order Information

Catalog Number	Description	B2 in. (mm)	L2 in. (mm)	W in. (mm)	Rack Units
ECM19DR1U	19-in. D-Ring Assembly	1.22 (31)	2.88 (73)	1.75 (44)	1
ECM19DR2U	19-in. D-Ring Assembly	2.22 (56)	4.42 (112)	3.50 (89)	2

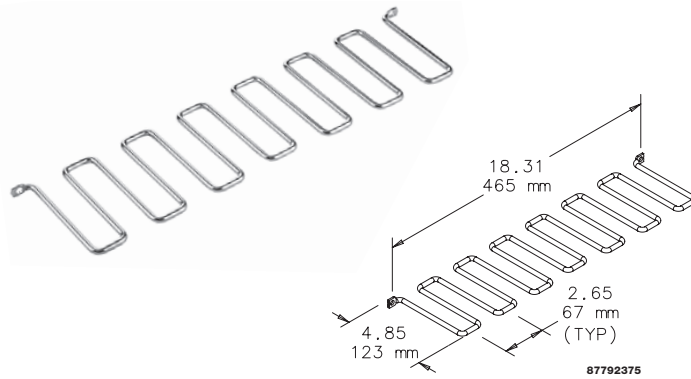
Velcro™ is a trademark of Velcro Industries B.V.



For further information www.schroff.us/oneclick
oneClick code = Order no.

Mechanical Accessories

Wire Form Cable Manager

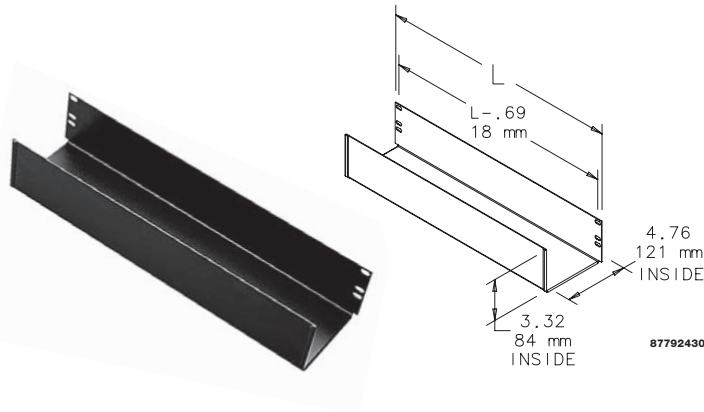


This cable manager takes up minimum space, but provides excellent cable sorting capability. Designed to mount on top of patch panels, this zero-rack-unit cable manager provides support and control of cables. Made of plated steel. Mounting hardware included.

Order Information

Catalog Number	Description	Use With	Rack Units
EWVC19H	19-in. Wire Form Cable Manager	19-in. racks	0

Cable Trough

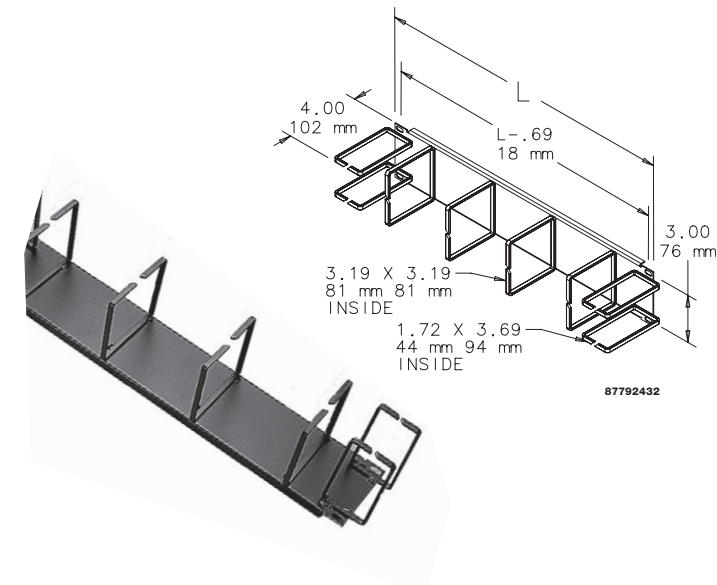


Mounts horizontally on 19-in. or 23-in. rack angles to support cables and power cords. Made of steel with RAL 9005 black polyester powder paint finish.

Order Information

Catalog Number	Description	L in. (mm)	Rack Units
ECT19	19-in. Cable Trough	19.00 (483)	2
ECT23	23-in. Cable Trough	23.00 (584)	2

Cable Manager



Mounts horizontally. For routing and bundling cable on 19-in. or 23-in. racks. Material is steel with RAL 9005 black polyester powder paint finish. Horizontal-Vertical Cable Manager shown.

Order Information

Catalog Number	Description	L in. (mm)	Rack Units
ECK19H	19-in. Horizontal Cable Manager	19.00 (483)	2
ECK19HV	19-in. Horizontal-Vertical Cable Manager	19.00 (483)	2
ECK23HV	23-in. Horizontal-Vertical Cable Manager	23.00 (584)	2



For further information www.schroff.us/oneclick
oneClick code = Order no.

Power Management Accessories



Specifications

- UL/cUL 60950 listed
- UL 1449 (Surge protector models only)
- EIA 310-D (19-in. rack-mount models only)

Application

Rack- and Panel-Mount PDUs not only provide convenient, reliable power to equipment mounted in cabinets or on open frame racks, they can also be configured to meet a wide range of design specifications.

Features

- Power on/off LED indicates whether power is available at the PDU
- External ground stud provided on single-phase models for secure grounding
- Circuit breakers provide additional equipment protection
- Circuits are isolated on dual circuit model; each has its own circuit breaker
- Reset button provides easy access to circuit breaker reset
- Surge protector models have an indicator LED to verify surge circuitry protection
- Rack-mount models mount directly to rack
- Panel-mount models can be mounted flush

Specifications

- Steel housing
- Power cord with molded-on plug:
 - 12-in. (305-mm) long single-phase model: 6 ft. (1.8 m)
 - Other single-phase models: 15 ft. (4.6 m)

Finish

- Black, low-gloss textured paint.

Standard Product Single-Phase Rack-Mount

Catalog Number	Surge Protection	Amp Meter	Load Rating	Voltage (VAC)	Joule Rating	Receptacle Location	No. of Receptacles	Receptacle Style	Power Cord Plug	Rack Units
DP1N190615	No	No	15A	120	—	Front	6	NEMA 5-15R	NEMA 5-15P	1
DP1N191415	No	No	15A	120	—	6 Front, 8 back	14	NEMA 5-15R	NEMA 5-15P	1
DP1N191415M	No	Yes	15A	120	—	6 Front, 8 back	14	NEMA 5-15R	NEMA 5-15P	1
DP1N191015S	Yes	No	15A	120	2000	2 Front, 8 back	10	NEMA 5-15R	NEMA 5-15P	1
DP1N191020	No	No	20A	120	—	2 Front, 8 back	10	NEMA 5-20R	NEMA 5-20P	1
DP1N191020S	Yes	No	20A	120	2000	2 Front, 8 back	10	NEMA 5-20R	NEMA 5-20P	1
DP1N191020ST	Yes	No	20A	120	2000	2 Front, 8 back	10	NEMA 5-20R	NEMA L5-20P Twist Lock	1
DP1N191420	No	No	20A	120	—	6 Front, 8 back	14	NEMA 5-20R	NEMA 5-20P	1
DP1N191420T	No	No	20A	120	—	6 Front, 8 back	14	NEMA 5-20R	NEMA L5-20P Twist Lock	1
DP1N190430X	No	No	30A	120	—	4 Front, 4 back	8	Front NEMA 5-15R-15A Back NEMA L5-30R-30A	NEMA L5-30P Twist Lock	2

Isolated circuits on dual-circuit models with separate circuit breakers.

Standard Product Single-Phase Vertical-Mount

Catalog Number	Length (in.)	Length (mm)	Surge Protection	Amp Meter	Load Rating	Voltage (VAC)	Joule Rating	No. of Receptacles	Receptacle Style	Power Cord Plug
DP1N120615	12.00	305	No	No	15A	120	—	6	NEMA 5-15R	NEMA 5-15P
DP1N160620S	16.00	406	Yes	No	20A	120	2000	6	NEMA 5-20R	NEMA 5-20P
DP1N481815	48.00	1219	No	No	15A	120	—	18	NEMA 5-15R	NEMA 5-15P
DP1N622415	62.00	1575	No	No	15A	120	—	24	NEMA 5-15R	NEMA 5-15P
DP1N622420	62.00	1575	No	No	20A	120	—	24	NEMA 5-20R	NEMA 5-20P
DP1N622420T	62.00	1575	No	No	20A	120	—	24	NEMA 5-20R	NEMA L5-20P Twist Lock
DP1N622420M	62.00	1575	No	Yes	20A	120	—	24	NEMA 5-20R	NEMA 5-20P
DP1N622420MT	62.00	1575	No	Yes	20A	120	—	24	NEMA 5-20R	NEMA L5-20P Twist Lock
DP1N622040DT	62.00	1575	No	No	20A per circuit	120	—	20, 10 per circuit, dual circuit	NEMA 5-20R	NEMA L5-20P Twist Lock
DP1E2663030MT	66.00	1676	No	Yes	30A	250	—	30	24 IEC C-13, 6 IEC C-19	NEMA L6-30P Twist Lock

Isolated circuits on dual-circuit models with separate circuit breakers. DP1E2663030MT is Ethernet metered; SNMP trap provides remote monitoring via Ethernet



For further information www.schroff.us/oneclick
oneClick code = Order no.

Thermal Management Accessories

19-in. Rack-Mount Fan Tray



Application

Fan trays enhance the natural convection airflow within a cabinet when installed with other 19-in. rack-mount equipment.

Features

- Fan trays available with either three or six 4-in. fans
- Includes 72-in. (1829-mm) power cord with IEC 320 standard power socket
- Power cord plugs into standard 115 VAC outlet
- Lighted rocker switch provides on-off control and indicates when fans are on

Finish

- RAL 9005 black, lightly textured polyester powder paint

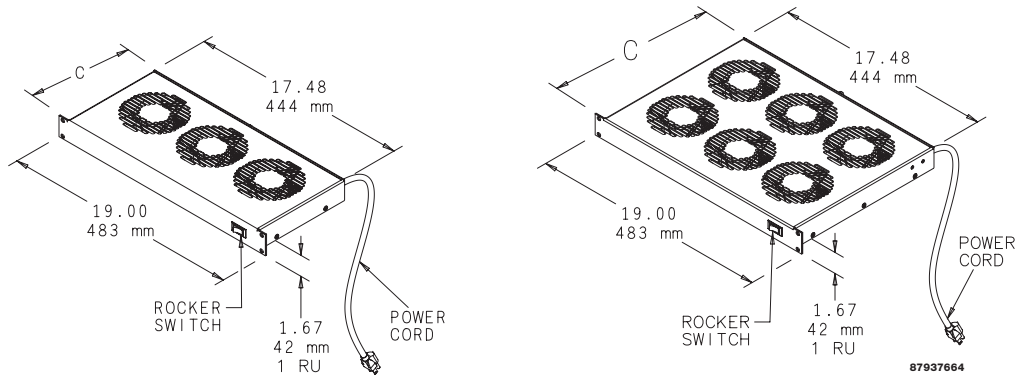
Standard Products

Catalog Number	Number of Fans	Power (watts)	Max Airflow (CFM)	C (in.)	C (mm)
A19FT3B	3	45	253	8.10	206
A19FT6B	6	90	506	12.96	329

Technical Performance per 4-Inch Fan

Operating Voltage VAC	Operating Frequency (Hz)	Nominal Airflow Capacity (CFM)	Noise Level (dB)	Max. Static Pressure (in. WC)	Max. Operating Temperature (°F)	Max. Operating Temperature (°C)	Power Consumption (W)
115	60	102	41	0.27	158	70	15

Nominal Airflow capacity rating applies to fans before installation in fan tray.



For further information www.schroff.us/oneclick
oneClick code = Order no.

Thermal Management Accessories

Fan Speed Controls



Features

AFANTSC Panel-Mount Fan Speed Control

- Automatically adjusts fan speed depending on remote temperature sensor input
- Temperature sensitivity is field adjustable; preset at 35°C (95°F)
- Idle speed and temperature slope are field-adjustable
- Push-to-reset thermal circuit breaker inside control housing
- Compact polycarbonate control housing can be mounted in any position
- NEMA 5-15R outlet provides power to fan
- Six-foot (1.83 m) power cord plugs into standard 120 V, 50 or 60 Hz outlet
- Remote probe with 10-ft. (3.05 m) lead mounts in airflow
- Mounting brackets included

A19FANSC 19-in. Rack-Mount Fan Speed Control

- Continuously variable fan speed control knob with minimum speed adjustment
- Uses 1 RU rack space
- Steel construction
- Two NEMA 5-15R outlets provide power to fan
- Six-foot (1.83 m) power cord plugs into standard 120 V 60 Hz outlet

Finish

- AFANTSC: Light-gray polycarbonate control housing
- A19FANSC: RAL 9005 black polyester powder paint

Industry Standards

(both controls)

- UL 508 Listed; File No. E249700
- cUL Listed per CSA C22.2 No. 14; File No. E249700

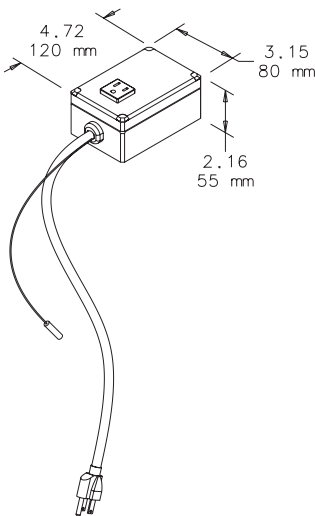
Application

Perfect for offices, classrooms and other noise-sensitive areas, Fan Speed Controls optimize airflow in a cabinet or rack, balancing air volume requirements with noise level and power use.

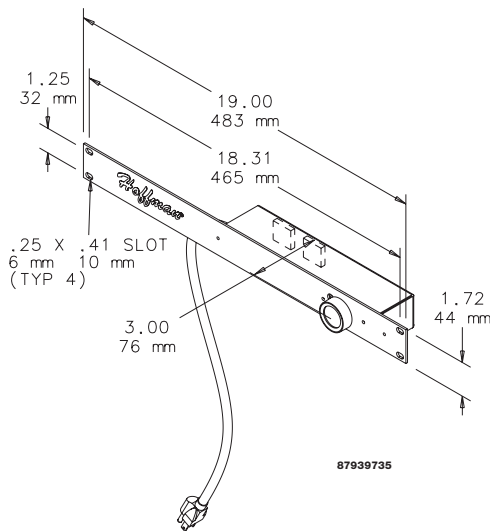
Standard Products

Catalog Number	Description	Application	Voltage and Frequency	Current Draw	Temperature Settings (°C)	Temperature Settings (°F)
AFANTSC	Panel-Mount Fan Speed Control	Fan speed controlled automatically with remote temperature sensor	120 VAC 50/60 Hz	2 A max.	30, 35, 40, 45	86, 95, 104, 113
A19FANSC	19-in. Rack-Mount Fan Speed Control	Fan speed adjusted manually	120 VAC 60 Hz	4 A max.	Continuously variable	Continuously variable

Panel Mount Fan Speed Control



19 inch Rack Mount Fan Speed Control



For further information www.schroff.us/oneclick
oneClick code = Order no.

Thermal Management Accessories

Compact Cooling Fans



Installation

Can be installed on any surface of an enclosure. With the addition of accessory fan brackets, Compact Cooling Fans can also be installed in any position inside the enclosure for spot cooling or air circulation

Features

- Maximum operating temperature is 158°F (70°C)
 - 4-in. fan is thermally protected and uses permanently lubricated ball bearings
 - 6- and 10-in. fans have ball-bearing construction and split capacitor motors
 - Split-capacitor motors are thermally protected to avoid premature failure
 - Dynamically balanced impellers molded from polycarbonate material
 - One finger guard is furnished (additional finger guards are available)
 - All mounting hardware is provided
- Fan bracket and additional finger guards must be purchased separately*
- 240 and 560 CFM fans have ball bearing construction and split capacitor motors
 - Fans have leadwires with ends stripped 1/2-in. (12 mm) or 6-ft. (1.8 m) cord with polarized plug for power connections

Finish

- Fan housing is black.

Industry Standards

- UL Component Recognized
- CSA certified

Application

Compact Cooling Fans are ideal for applications where enclosure space is limited and quiet, reliable cooling is required. Engineered for 50,000 hours of continuous operation without lubrication or service.

Cut-out Dimensions

Catalog Number	Nominal Size	Power Connection	Voltage	A in. (mm)	D in. (mm)	E in. (mm)	J in. (mm)	K in. (mm)	L in. (mm)	M in. (mm)
A2AXFN24	2	Lead wires	24 VDC	—	1.97 (50)	.98 (25)	1.97 (50)	.98 (25)	—	—
A3AXFN	3	Lead wires	115 VAC	—	2.81 (71)	1.40 (36)	2.81 (71)	1.40 (36)	—	—
A3AXFN24	3	Lead wires	24 VDC	—	2.81 (71)	1.40 (36)	2.81 (71)	1.40 (36)	—	—
A4AXFNGQ	4	Power cord/Quiet	115 VAC	4.62 (117)	4.12 (105)	2.06 (52)	4.12 (105)	2.06 (52)	—	—
A4AXFNPG	4	Power cord	115 VAC	4.62 (117)	4.12 (105)	2.06 (52)	4.12 (105)	2.06 (52)	—	—
A4AXFN	4	Lead wires	115 VAC	4.62 (117)	4.12 (105)	2.06 (52)	4.12 (105)	2.06 (52)	—	—
A4AXFN2	4	Lead wires	230 VAC	4.62 (117)	4.12 (105)	2.06 (52)	4.12 (105)	2.06 (52)	—	—
A4AXFN24	4	Lead wires	24 VDC	4.62 (117)	4.12 (105)	2.06 (52)	4.12 (105)	2.06 (52)	—	—
A6AXFNGQ	6	Power cord/Quiet	115 VAC	5.88 (149)	—	—	—	—	3.19 (81)	6.38 (162)
A6AXFNPG	6	Power cord	115 VAC	5.88 (149)	—	—	—	—	3.19 (81)	6.38 (162)
A6AXFN	6	Lead wires	115 VAC	5.88 (149)	—	—	—	—	3.19 (81)	6.38 (162)
A6AXFN2	6	Lead wires	230 VAC	5.88 (149)	—	—	—	—	3.19 (81)	6.38 (162)
A6AXFN24	6	Lead wires	24 VDC	5.88 (149)	—	—	—	—	3.19 (81)	6.38 (162)
A10AXFNPG	10	Power cord	115 VAC	9.00 (229)	6.88 (175)	3.44 (87)	6.88 (175)	3.44 (87)	—	—
A10AXFN	10	Lead wires	115 VAC	9.00 (229)	6.88 (175)	3.44 (87)	6.88 (175)	3.44 (87)	—	—
A10AXFN2	10	Lead wires	230 VAC	9.00 (229)	6.88 (175)	3.44 (87)	6.88 (175)	3.44 (87)	—	—

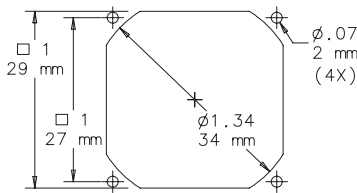
CFM without exhaust grille



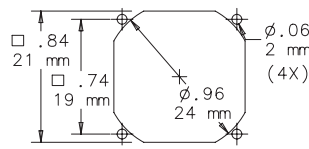
For further information www.schroff.us/oneclick
oneClick code = Order no.

Thermal Management Accessories

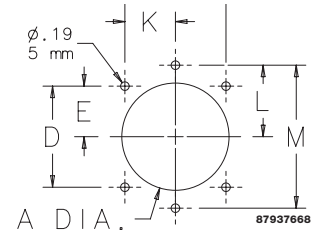
Compact Cooling Fans



MOUNTING CUTOUT DIMENSIONS 3 INCH



MOUNTING CUTOUT DIMENSIONS 2 INCH

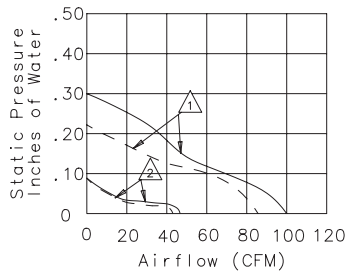


MOUNTING CUTOUT DIMENSIONS 4, 6, 10 INCH

Technical Performance Data

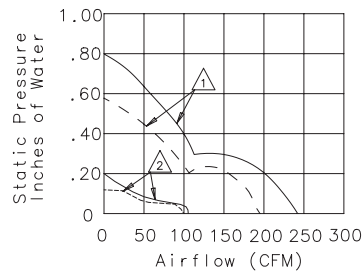
Catalog Number	Nominal Size	Power Connection	Voltage	Amps @ 50/60 Hz	Watts @ 50/60 Hz	CFM @ 50/60 Hz	Fan Size (in. sq.)	Fan Depth in. (mm)	Max. Motor Operating RPM @ 50/60 Hz	Noise SIL (db)
A2AXFN24	2	Lead wires	24 VDC	.09	2.16	21.5	2.36	.98 (25)	4550	65
A3AXFN	3	Lead wires	115 VAC	.09	7	27	3.15	1.50 (38.1)	2700	40
A3AXFN24	3	Lead wires	24 VDC	.14	3.36	40	3.15	.98 (25)	3400	35
A4AXFNGQ	4 (Quiet Fan)	Power cord	115 VAC	.09/.08	6/5	46/49	4.69	1.52 (52)	1350/1450	27/28
A4AXFNPG	4	Power cord	115 VAC	.26/.21	17/15	85/100	4.69	1.52 (52)	2415/2900	37/41
A4AXFN	4	Lead wires	115 VAC	.26/.21	17/15	85/100	4.69	1.52 (52)	2415/2900	37/41
A4AXFN2	4	Lead wires	230 VAC	.14/.11	16/14	85/100	4.69	1.52 (52)	2415/2900	37/41
A4AXFN24	4	Lead wires	24 VDC	.35	84	118	4.69	1.52 (52)	3200	46.5
A6AXFNGQ	6 (Quiet Fan)	Power cord	115 VAC	.16/.19	16/18	85/102	6.77	1.50 (38.1)	1400/1650	35/38
A6AXFNPG	6	Power cord	115 VAC	.45/36	36/32	200/240	6.77	1.50 (38.1)	2670/3200	50/56
A6AXFN	6	Lead wires	115 VAC	.45/36	36/32	200/240	6.77	1.50 (38.1)	2670/3200	50/56
A6AXFN2	6	Lead wires	230 VAC	.23/.18	39/35	200/240	6.77	1.50 (38.1)	2670/3200	50/56
A6AXFN24	6	Lead wires	24 VDC	.88	21.1	280	6.77	2.00 (5.08)	3750	62.5
A10AXFNPG	10	Power cord	115 VAC	1.0/.88	36/36	480/560	10.00	3.50 (88.9)	1350/1650	45.8/49
A10AXFN	10	Lead wires	115 VAC	1.0/.88	36/36	480/560	10.00	3.50 (88.9)	1350/1650	45.8/49
A10AXFN2	10	Lead wires	230 VAC	.47/.43	36/36	480/560	10.00	3.50 (88.9)	1350/1650	45.8/49

Performance Curve: 4 in. fans



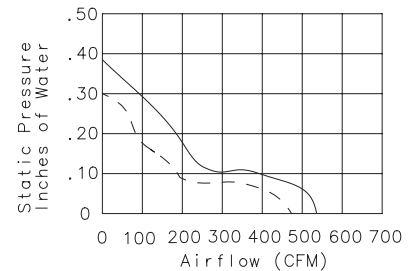
△ FNPG, FN, FN2 models
△ FNGQ models

Performance Curve: 6 in. fans



(Curves represent fan performance only.)

Performance Curve: 10 in. fans



—— 60 Hz
- - - - 50 Hz

87744317



For further information www.schroff.us/oneclick
oneClick code = Order no.

Thermal Management Accessories

Fan Cords



Used to power Compact Cooling Fans when positive ground of the cabinet case is required. Available with connectors for one or two fans. 5-ft. (1.52 m) cord with grounded three-prong plug. Fits A4AXFNPG, A6AXFNPG, A10AXFNPG, A4AXFNGQ and A10AXFNGQ.

Order Information

Catalog Number	Description
ACORD1	One connector
ACORD2	Two connectors

Fan Filter and Finger Guard Kit

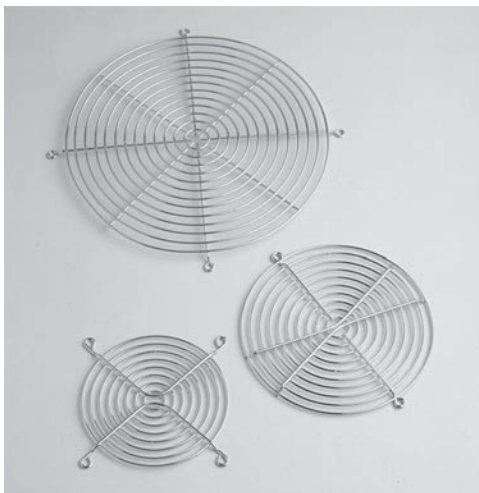


Low-density filter kit for 4-in. (102 mm) and 6-in. (152 mm) fans. Can also be used as vent. Filter is removable and can be cleaned and reused. Mounting hardware included.

Order Information

Catalog Number	Description	Fits
AFLTR4LD	Fan Filter and Finger Guard Kit	4-in. fans
AFLTR6LD	Fan Filter and Finger Guard Kit	6-in. fans

Finger Guards



One finger guard is included with each Compact Cooling Fan and Cooling Fan Package. Additional Finger Guards can be mounted on either side of the fan for maximum safety. All guards are chrome plated and meet UL 507 .25-inch plug gauge test.

Order Information

Catalog Number	Use on Compact Cooling Fan Catalog Numbers
AGARD2	A2AXFN24
AGARD3	A3AXFN, A3AXFN24
AGARD4	A4AXFNPG, A4XFNGQ, A4AXFN, A4AXFN2
AGARD6	A6AXFNPG, A6AXFNGQ, A6AXFN, A6AXFN2
AGARD10	A10AXFNPG, A10AXFNQR, A10AXFN, A10AXFN2



For further information www.schroff.us/oneclick
oneClick code = Order no.

Thermal Management Accessories

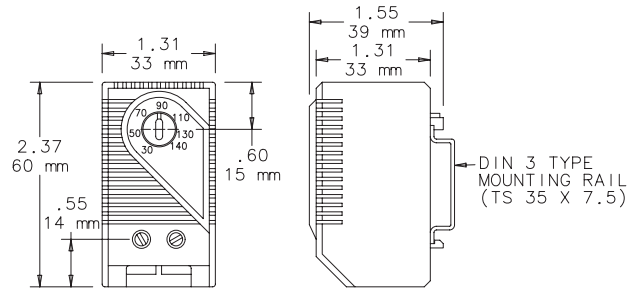
Temperature Control Switches



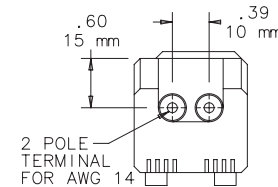
- Additional label for conversion to Celsius scale and blank label to cover set point range label when adjustment after initial setting is not desired are included
- Bimetal temperature sensor
- Plastic housing
- Connections consist of tubular screw terminals for AWG 14 (.04 sq. in.)
- Provision for both panel mounting and DIN rail mounting

Finish

- Molded plastic housing is black.



87541408



Industry Standards

- UL94-VO
- cURus; File No. E164102
- Protection rating IEC IP30
- CSA Certified, File Number 215952
- CE

Application

These easy-to-install thermostats regulate and monitor air temperature in enclosures that contain heat-emitting equipment. Thermostats prolong fan life expectancy by controlling operation time and increase electrical component working efficiency by exposing them to fewer environmental contaminants.

Standard Products

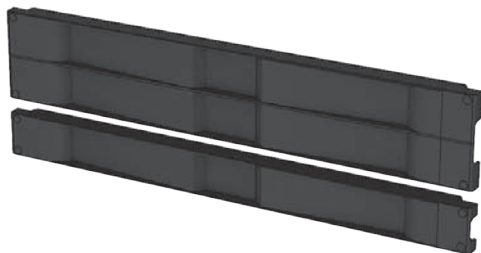
Catalog Number	Contact Type	Control Application
ATEMNO	NO (normally open), quick acting	Fan

Load Rating

Load	Amps
Maximum Load (switching capacity)	15 A resistive / 2 A inductive @ 120 VAC
	10 A resistive / 2 A inductive @ 250 VAC
	DC 30 W
Minimum Load	20 mA (all voltages)

Tool-less (Snap-in) Blanking Panels for 19-in. Racks

These Tool-less 19-in. Blanking Panels provide easy tool-less installation and ensure proper airflow to equipment. Made of black composite material and can be used with tapped or square EIA universal spaced rack mounting angles.



Order Information

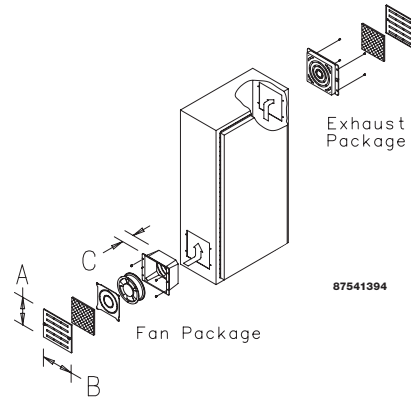
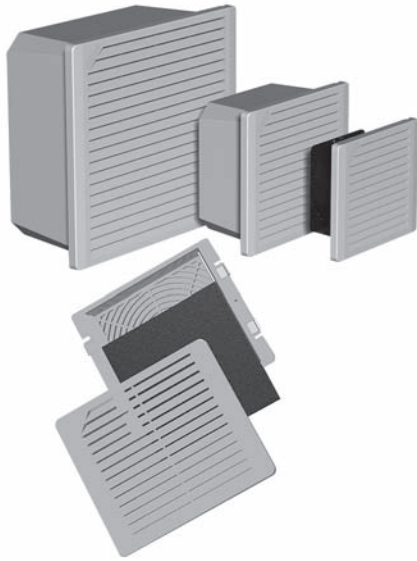
Catalog Number	Description	Rack Units	Fits	Pkg. Qty.
D19BPT1RU	Blanking Panel, 19 in.	1	19 in., universal rack spacing, tapped or square holes	10
D19BPT2RU	Blanking Panel, 19 in.	2	19 in., universal rack spacing, tapped or square holes	10



For further information www.schroff.us/oneclick
oneClick code = Order no.

Thermal Management Accessories

Cooling Fan and Exhaust Packages



Industry Standards

- UL 508A Component Recognized, File Number E61997
- CSA certified (fan only)
- CE

Application

Cooling Fan and Exhaust Packages are designed for limited-space enclosures that require a reliable and filtered airflow. Where positive airflow is not required, Exhaust Packages can be used on both the inlet and outlet.

Engineered for 50,000 hours of continuous operation without lubrication or service. For both Type 1 and Type 12 systems a monthly maintenance schedule is recommended to ensure optimal cooling performance.

Features

- Cooling Fan Package includes fan, air filter, composite air plenum, finger guard and grille
- Exhaust Package includes air filter, filter retainer with integral finger guard and grille
- EMC Upgrade Kit includes a grille standoff collar and a special EMC shielding grille
- Washable foam (Type 1) or disposable (Type 12) filter in fan. Optional washable aluminum air filter is available for Type 1 applications.
- Dynamically-balanced fan impellers molded from polycarbonate material
- 4-in. fan is thermally protected and uses permanently-lubricated ball bearings
- 6- and 10-in. fans have ball bearing construction and split capacitor motors that are thermally protected to avoid premature failure
- Fans have leadwires for power connection with ends stripped 1/2 in. (12 mm)
- All mounting hardware and installation instructions are furnished

Filters

Standard Type 1 air filters are washable foam. *Type 12 air filters are not washable.*

Installation

Fan and exhaust packages can be installed on any surface of an enclosure. They are most effective when the fan assembly is located on a lower panel of the enclosure and the exhaust grille is positioned near the top of the opposite side. This installation assists heat transfer by causing slightly more turbulence and also prolongs the working life of the fan since it is located in the path of the cooler air entering the enclosure. The height and width of the cooling fans and exhaust grilles can be rotated 90 degrees for mounting on narrow enclosures. Allow adequate clearance for servicing the fan when equipment is installed inside the enclosure and for replacing filters on both the fan and the exhaust. Cut-out dimensions for both the fan and the exhaust are shown in the order table. Order the fan and exhaust packages separately.

Finish

- Stainless steel grilles have brushed finish.
- ABS composite grille is black.



For further information www.schroff.us/oneclick
oneClick code = Order no.

Thermal Management Accessories

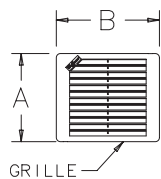
Cooling Fan and Exhaust Packages

Standard Product and Cut-out Dimensions Cooling Fan and Exhaust Packages

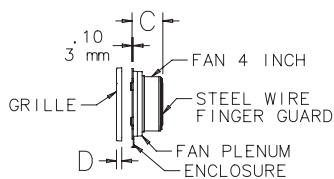
Catalog Number	AxBxC in. (mm)	Material and Type	Use with Exhaust Grille	Nominal Fan Size in.	D in. (mm)	F in. (mm)	H in. (mm)	T in. (mm)	W in. (mm)
TFP424	6.29 x 7.37 x 2.35 (160 x 187 x 67)	Composite Grille UL 508 Type 1	TEP4	4	0.45 (11)	5.66 (144)	0.77 (20)	4.12 (105)	6.39 (162)
TFP41	6.29 x 7.37 x 2.65 (160 x 187 x 67)	Composite Grille UL 508 Type 1	TEP4	4	0.45 (11)	5.66 (144)	0.77 (20)	4.12 (105)	6.39 (162)
TFP41SS	6.29 x 7.37 x 2.65 (160 x 187 x 67)	Stainless Steel Grille UL 508 Type 1	TEP4SS	4	0.45 (11)	5.66 (144)	0.77 (20)	4.12 (105)	6.39 (162)
TFP41UL12	6.29 x 7.37 x 2.65 (160 x 187 x 67)	Composite Grille UL 508 Type 12	TEP4UL12	4	0.45 (11)	5.66 (144)	0.77 (20)	4.12 (105)	6.39 (162)
TFP42	6.29 x 7.37 x 2.65 (160 x 187 x 67)	Composite Grille UL 508 Type 1	TEP4	4	0.45 (11)	5.66 (144)	0.77 (20)	4.12 (105)	6.39 (162)
TFP42SS	6.29 x 7.37 x 2.65 (160 x 187 x 67)	Stainless Steel Grille UL 508 Type 1	TEP4SS	4	0.45 (11)	5.66 (144)	0.77 (20)	4.12 (105)	6.39 (162)
TFP42UL12	6.29 x 7.37 x 2.65 (160 x 187 x 67)	Composite Grille UL 508 Type 12	TEP4UL12	4	0.45 (11)	5.66 (144)	0.77 (20)	4.12 (105)	6.39 (162)
TFP624	7.80 x 8.87 x 3.75 (198 x 225 x 95)	Composite Grille UL 508 Type 1	TEP6	6	0.49 (12)	7.16 (182)	1.33 (34)	4.50 (114)	7.89 (200)
TFP61	7.80 x 8.87 x 3.75 (198 x 225 x 95)	Composite Grille UL 508 Type 1	TEP6	6	0.49 (12)	7.16 (182)	1.33 (34)	4.50 (114)	7.89 (200)
TFP61SS	7.80 x 8.87 x 3.75 (198 x 225 x 95)	Stainless Steel Grille UL 508 Type 1	TEP6SS	6	0.49 (12)	7.16 (182)	1.33 (34)	4.50 (114)	7.89 (200)
TFP61UL12	7.80 x 8.87 x 3.75 (198 x 225 x 95)	Composite Grille UL 508 Type 12	TEP6UL12	6	0.49 (12)	7.16 (182)	1.33 (34)	4.50 (114)	7.89 (200)
TFP62	7.80 x 8.87 x 3.75 (198 x 225 x 95)	Composite Grille UL 508 Type 1	TEP6	6	0.49 (12)	7.16 (182)	1.33 (34)	4.50 (114)	7.89 (200)
TFP62SS	7.80 x 8.87 x 3.75 (198 x 225 x 95)	Stainless Steel Grille UL 508 Type 1	TEP6SS	6	0.49 (12)	7.16 (182)	1.33 (34)	4.50 (114)	7.89 (200)
TFP62UL12	7.80 x 8.87 x 3.75 (198 x 225 x 95)	Composite Grille UL 508 Type 12	TEP6UL12	6	0.49 (12)	7.16 (182)	1.33 (34)	4.50 (114)	7.89 (200)
TFP101	11.81 x 12.99 x 5.25 (300 x 330 x 133)	Composite Grille UL 508 Type 1	TEP10	10	0.55 (14)	11.16 (283)	2.14 (54)	6.88 (175)	11.89 (302)
TFP101SS	11.81 x 12.99 x 5.25 (300 x 330 x 133)	Stainless Steel Grille UL 508 Type 1	TEP10SS	10	0.55 (14)	11.16 (283)	2.14 (54)	6.88 (175)	11.89 (302)
TFP101UL12	11.81 x 12.99 x 5.25 (300 x 330 x 133)	Composite Grille UL 508 Type 12	TEP10UL12	10	0.55 (14)	11.16 (283)	2.14 (54)	6.88 (175)	11.89 (302)
TFP102	11.81 x 12.99 x 5.25 (300 x 330 x 133)	Composite Grille UL 508 Type 1	TEP10	10	0.55 (14)	11.16 (283)	2.14 (54)	6.88 (175)	11.89 (302)
TFP102SS	11.81 x 12.99 x 5.25 (300 x 330 x 133)	Stainless Steel Grille UL 508 Type 1	TEP10SS	10	0.55 (14)	11.16 (283)	2.14 (54)	6.88 (175)	11.89 (302)
TFP102UL12	11.81 x 12.99 x 5.25 (300 x 330 x 133)	Composite Grille UL 508 Type 12	TEP10UL12	10	0.55 (14)	11.16 (283)	2.14 (54)	6.88 (175)	11.89 (302)

An intake grille and filter are included with each Cooling Fan Package. Order at least one Exhaust Package separately for each installation. Order optional Exhaust Grilles as a separate accessory.

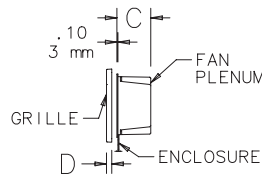
Fan and Exhaust Grille



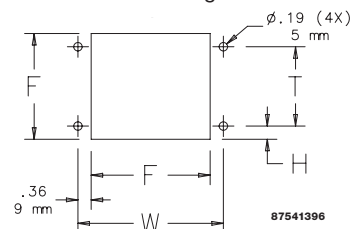
4" Fan (Fan Mounted to Back of Plenum)



6" and 10" Fan (Box Style Plenum)



Fan and Exhaust Package Mounting Cut-out



For further information www.schroff.us/oneclick
oneClick code = Order no.

Thermal Management Accessories

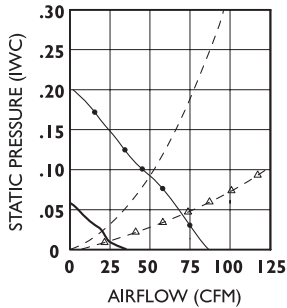
Cooling Fan and Exhaust Packages

Technical Performance Data for Cooling Fan Packages

Composite Grille UL Type 1	Stainless Grille UL Type 1	Type 1 CFM @ 50/60 Hz	Composite Grille UL Type 12	Type 12 CFM @ 50/60 Hz	Watts @ 50/60 Hz	Voltage	Amps @ 50/60 Hz	Max. Operating Temp. (°F)	Max. Operating Temp. (°C)	Noise SIL (db) @ 50/60 Hz	Weight lbs. (kgs)
TFP424	—	55	—	—	8.4	24 VDC	.35	158	70	65	4.2 (1.90)
TFP41	TFP41SS	46/55	TFP41UL12	21/25	17/15	115 VAC	.26/.21	158	70	37/41	4.2 (1.90)
TFP42	TFP42SS	46/55	TFP42UL12	21/25	16/14	230 VAC	.14/.11	158	70	37/41	4.3 (1.95)
TFP624	—	140	—	—	21.1	24 VDC	.88	158	70	62.5	5.3 (2.40)
TFP61	TFP61SS	117/14	TFP61UL12	50/60	36/32	115 VAC	.45/.36	158	70	50/56	5.3 (2.40)
TFP62	TFP62SS	117/14	TFP62UL12	50/60	39/35	230 VAC	.23/.18	158	70	50/56	5.4 (2.45)
TFP101	TFP101SS	180/215	TFP101UL12	63/75	64/80	115 VAC	.58/.70	167	75	54/61	12.0 (2.45)
TFP102	TFP102SS	180/215	TFP102UL12	63/75	64/80	230 VAC	.29/.35	167	75	54/61	11.4 (5.17)

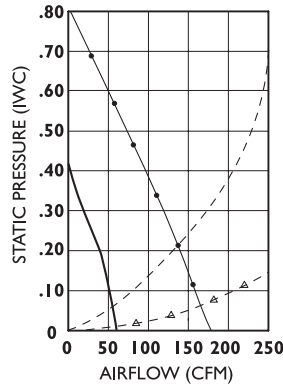
CFM with single exhaust grille installed.

Performance Curve for a 4" Cooling Fan Package @ 60 Hz



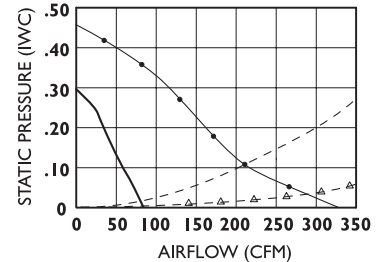
- 4 in. Cooling Fan Package
- - - 4 in. Exhaust Package
- -△- Two 4 in. Exhaust Packages
- 4 in. Type 12 Cooling Fan Package

Performance Curve for a 6" Cooling Fan Package @ 60 Hz



- 6 in. Cooling Fan Package
- - - 6 in. Exhaust Package
- -△- Two 6 in. Exhaust Packages
- 6 in. Type 12 Cooling Fan Package

Performance Curve for a 10" Cooling Fan Package @ 60 Hz



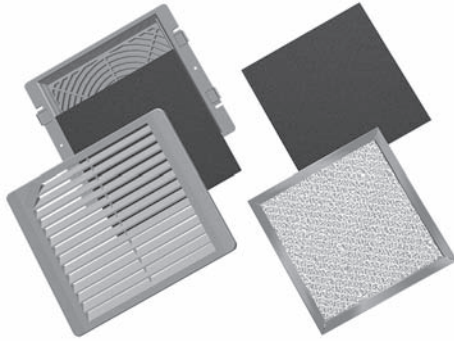
- 10 in. Cooling Fan Package
- - - 10 in. Exhaust Package
- -△- Two 10 in. Exhaust Packages
- 10 in. Type 12 Cooling Fan Package



For further information www.schroff.us/oneclick
oneClick code = Order no.

Thermal Management Accessories

Optional Grilles and Replacement Filters



These grilles replace the standard RAL 7035 gray composite or stainless steel grilles on both fan and exhaust packages. Standard replacement filters are washable foam (Type 1) or disposable (Type 12). To maintain UL Type 12 rating on the enclosure, UL Type 12 filters must be used on the fan package inlet. Washable aluminum filters are also available. Aluminum filters are compatible with Type 1 systems only.

Type 12 air filters are not washable

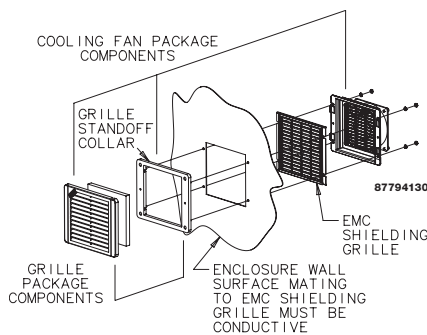
Catalog Number	Description	Fits Fan and Exhaust Nominal Size (in.)	Fits Fan and Exhaust Grill Size (in.)	Fits Fan and Exhaust Grill Size (mm)
TG4SS	Brushed stainless steel grille	4	6.29 x 7.31 x .81	(160 x 186 x 21)
TG4B	Black ABS plastic grille	4	6.29 x 7.37 x .81	(160 x 187 x 21)
AFLTR4	Type 1 filter replacement (5/package)	4	—	—
AFLTR4AL	Aluminum filter replacement (5/package)	4	—	—
TFLT4UL12	Type 12 filter replacement (5/package)	4	—	—
TG6SS	Brushed stainless steel grille	6	7.80 x 8.81 x .75	(198 x 224 x 19)
TG6B	Black ABS plastic grille	6	7.80 x 8.87 x .49	(198 x 225 x 12)
AFLTR6	Foam filter replacement (5/package)	6	—	—
AFLTR6AL	Aluminum filter replacement (5/package)	6	—	—
TFLT6UL12	UL 12 filter replacement (5/package)	6	—	—
TG10SS	Brushed stainless steel grille	10	11.81 x 12.92 x .75	(300 x 328 x 19)
TG10B	Black ABS plastic grille	10	11.81 x 12.99 x .75	(300 x 330 x 19)
AFLTR10	Foam filter replacement (5/package)	10	—	—
AFLTR10AL	Aluminum filter replacement (5/package)	10	—	—
TFLT10UL12	UL 12 filter replacement (5/package)	10	—	—

Replacement filter for Type 12 fan package only (models TFF__UL12). For Type 12 exhaust package use replacement filter AFLTRX.

EMC Fan/Grille Upgrade Kit

With the addition of this kit, the cooling fan and exhaust packages are upgraded to provide EMC (electromagnetic compatibility) protection. Consult Schroff for shielding effectiveness (dB attenuation vs. frequency).

Separate kits must be installed on both the inlet and outlet. Cooling fan and exhaust package must be ordered separately. EMC upgrade kit will not work with stainless steel grille option.



Order Information

Catalog Number	Fits Cooling Fan Package	Fits Exhaust Grill
T4EMC	TFP41/TFP42	TEP4
T6EMC	TFP61/TFP62	TEP6
T10EMC	TFP101/TFP102	TEP10



For further information www.schroff.us/oneclick
oneClick code = Order no.

Thermal Management Accessories

Air Conditioners and Heat Exchangers



Pentair Technical Products offers a full range of industry leading Air Conditioner and Heat exchanger products through our McLean Cooling Technology division. A comprehensive range of products for all applications backed up by a full field service program is at your fingertips!

Applications Information: Air Conditioners

Air conditioners are commonly used in enclosures that must be sealed from the outside environment while also dissipating large thermal loads from internal equipment or solar energy. Air conditioners are commonly used on outdoor enclosures (See OASIS products) as well as industrial, process control and traffic equipment. Other applications for air conditioners on electronics cabinets include medical imaging and power generation equipment enclosures. A beneficial property of air conditioner cooling is the ability to remove moisture from the enclosure.

Applications Information: Heat Exchangers

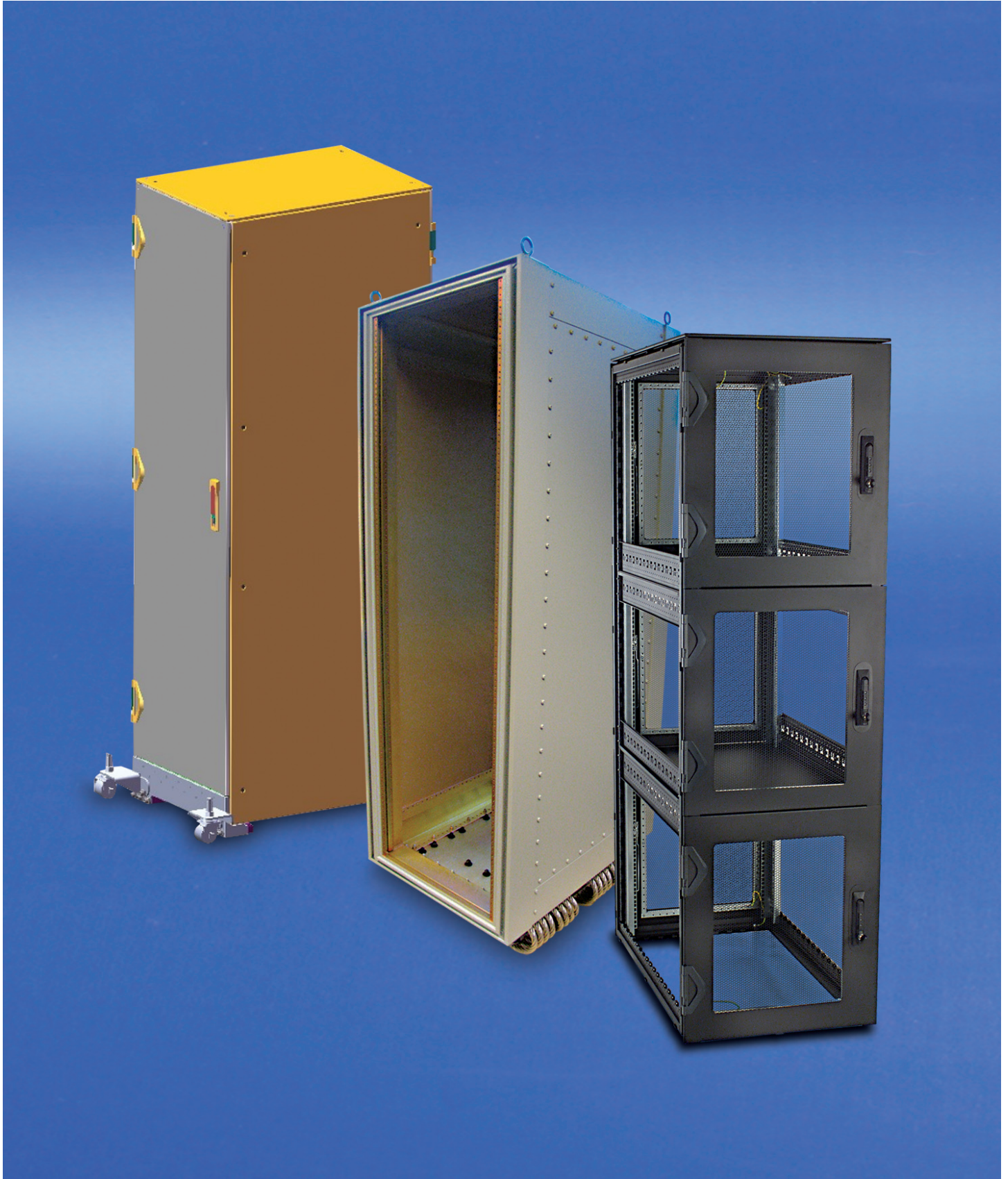
Heat exchangers are used in many of the same applications as air conditioners. Heat exchangers require a large difference between inside and outside air temperature to be most effective. In such a scenario the lower power requirements of heat exchangers are beneficial. Heat exchangers have fewer moving parts than air conditioners and are very reliable.

Visit www.mcleancoolingtech.com for the complete line of products
Or contact your local Schroff sales representative!



For further information www.schroff.us/oneclick
oneClick code = Order no.

New Products



Varistar-CL Co-Location Cabinets

Secure Divided Datacom Enclosures

Maximum Data Center Security

The robust design of the Schroff® Varistar Co-Location Cabinet offers data centers a new level of security for individual rack space clients.



- Secure shelf divider attached to the frame at multiple points
- Multi-point door latching system
- 1,800 lb. equipment capacity
- Lockable side panels, secure cabinet dividers
- Customized cable, thermal and power management solutions
- Available in single, double and triple bay units
- Compatible with the full line of Varistar parts, configurations and accessories
- Easily modified to meet your specific needs!



For further information www.schroff.us/oneclick
oneClick code = Order no.

Varistar Seismic Enclosure

NEBS Zone 4 Earthquake Protection

High End Earthquake Protection

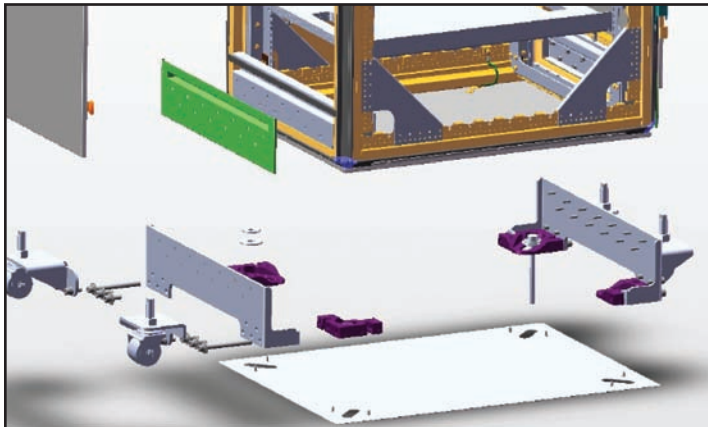
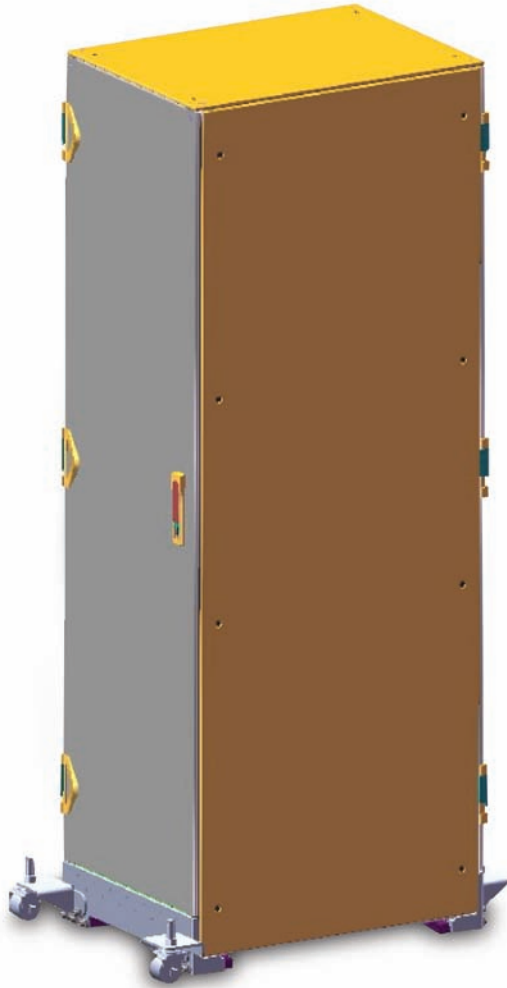
The Seismic Varistar enclosure platform provides the highest degree of NEBS zone 4 earthquake protection available on the market. By leveraging the versatile Varistar enclosure line hundreds of standard parts, configurations and accessories are available. High end thermal and EMC shielding solutions are 100% compatible with the seismic Varistar Enclosure.

- Versatile, robust and aesthetic enclosure
- Compatible with full line of standard Varistar parts and accessories, even thermal solutions!
- Leverage the power of this standard platform to save time and money in developing your seismic solution!
- Designed to handle the highest weight loads
- Easily modified to your specific needs!

Contact your local sales support for more information!

Unique Base Design

- Seismic feet allow drilling and bolting without the cabinet in the way!
- Roll the cabinet into place after integration and bolt to feet through front and rear!
- Floor drilling template included with cabinet to aid installation.



For further information www.schroff.us/oneclick
oneClick code = Order no.

Titan 901-D External Isolated Cabinets

Shock Resistant Enclosures for Military Applications

Application

The Titan 901D Shock Isolated Cabinet provides unmatched performance and has been deployed and proven in shipboard applications with the US Navy for programs such as TAC3 and TAC4. These cabinets have been engineered for strength and optimized for weight while utilizing leading edge manufacturing equipment to provide a modular design with the best performance in the industry. The main extrusion frame has a modular channel design that allows for various mounting accessories such as panels, isolator plates, bridging plates, I/O panels, etc. The side plates are screwed aluminum panels and then finished with a precision welded seamed structure. The superior design supports various size requirements and our engineers will optimize the shock isolation to meet your weight and attenuation requirements. The sleek configuration allows for installation onto ships without the need for any disassembly required for narrow aisle or entry ways.

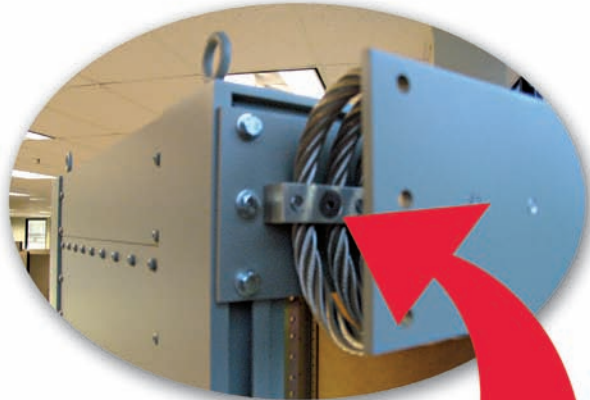
Standard Features

- Dimensions: 67.86"H x 24"W x 32"D
- Weight: 240 lbs
- Rack Height: 18U – 40U
- Material: High Grade Aluminum
- Payload: Up to 1500 lbs
- Isolation: External Isolation
Base and Rear Shock Isolated

Other Options Available in Modular Construction: Panels, Doors, EMI Shielding, Thermal Solutions, Trays, etc.

Environmental

- Shock MIL-S-901D
- Vibration MIL-STD-167
- Test Methods MIL-STD-810



TITAN



For further information www.schroff.us/oneclick
oneClick code = Order no.



We are where you are



www.schroff.us

Pentair Technical Products Groups

USA

Pentair Technical Products

170 Commerce Drive
Warwick RI 02817
USA
Tel. +1 (401) 732-3770
www.schroff.us

7328 Trade Street
San Diego, CA 92121
USA
Tel. +1 (858) 740-2400
www.schroff.us

EUROPE

Schroff GmbH

Langenalber Straße 96-100
75334 Straubenhardt
Deutschland
Tel. +49 (0)7082 794-0
www.schroff.de

Schroff UK Ltd.

Maylands Avenue
Hemel Hempstead
Herts HP2 7DE
Great Britain
Tel. +44 (0)1442 240 471
www.schroff.biz

Schroff SAS

Z.I. 4, rue du Marais
Boîte Postale 16 67660
Betschdorf France
Tel. +33 (0)3 88 90 64 90
www.schroff.biz

Schroff Scandinavia AB

Flygfältsgatan 11
P.O. Box 2003 12821
Skarpnäck
Sweden
Tel. +46 (0) 8 683 61 00
www.schroff.se

Schroff Scandinavia AB

Peräsimentie 8
FIN-03100 Nummela
Finland
Tel. +358 9 222 68 00
www.schroff.fi

Schroff S.r.l.

Via Brughiera 1
20010 Pregnana Milanese (MI)
Italy
Tel. +39 02 932 714-1
www.schroff.biz

Schroff GmbH/

Sp.z.o.o./-oddział w Polsce
ul. Marynarska 21
PL-02-674 Warszawa Poland
Tel. +48 (0) 22 607 06 16
www.schroff.pl

ASIA

Schroff K.K.

Nisso No.13 Bldg. 4F
2-5-1 Shinyokohama, Kohoku-ku
Yokohama-shi
Kanagawa 222-0033 Japan
Tel. +81 (0)45 476 02 81
www.schroff.co.jp

Pentair Technical Products China

Shuangyuan Rd. South, Liuting,
Chengyang District
(Airport Ind. Zone)
Qingdao, PC 266108
PR China
Tel. +86 532-8771 6101
www.schroff.biz