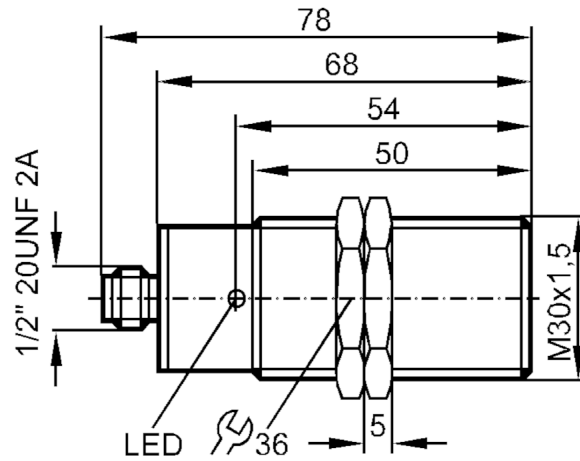


II0297



Inductive sensor

IIA2010-ABOA/SL/LS-100AK RT



Product characteristics

Output function		normally open
Sensing range	[mm]	10
Housing		Threaded type
Dimensions	[mm]	M30 x 1.5

Electrical data

Operating voltage	[V]	20...250 AC/DC
Protection class		I
Reverse polarity protection		no

II0297



Inductive sensor

IIA2010-ABOA/SL/LS-100AK RT

Outputs		
Output function		normally open
Max. voltage drop switching output DC [V]		6
Max. voltage drop switching output AC [V]		6.5
Minimum load current [mA]		5
Max. leakage current [mA]		2.5 (250 V AC) / 1.3 (110 V AC) / 0.8 (24 V DC)
Permanent current rating of switching output AC [mA]		250; (350 (...50 °C))
Permanent current rating of switching output DC [mA]		100
Short-time current rating of switching output [mA]		2200; (20 ms / 0,5 Hz)
Switching frequency AC [Hz]		25
Switching frequency DC [Hz]		25
Short-circuit proof		no
Overload protection		no
Monitoring range		
Sensing range [mm]		10
Real sensing range Sr [mm]		10 ± 10 %
Operating distance [mm]		0...8.1
Accuracy / deviations		
Correction factor		steel: 1 / stainless steel: 0.7 / brass: 0.5 / aluminum: 0.4 / copper: 0.3
Hysteresis [% of Sr]		3...15
Switch-point drift [% of Sr]		-10...10
Operating conditions		
Ambient temperature [°C]		-25...80
Protection		IP 67
Tests / approvals		
EMC		EN 60947-5-2
		EN 55011 class B
MTTF [years]		607
UL approval		Ta
		0...40 °C
		Enclosure type
		Type 1
	voltage supply	Hazardous voltage
	File number UL	E174191
Mechanical data		
Weight [g]		164.5
Housing		Threaded type
Mounting		flush mountable
Dimensions [mm]		M30 x 1.5
Thread designation		M30 x 1.5
Material		brass nickel-plated; PC
Displays / operating elements		
Display	Switching status	1 x LED, red

II0297

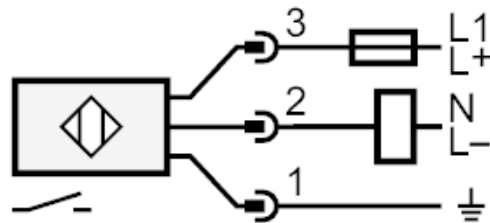


Inductive sensor

IIA2010-ABOA/SL/LS-100AK RT

Electrical connection	
Required protection	miniature fuse to IEC60127-2 sheet 1; ≤ 2 A; fast acting
Accessories	
Accessories (supplied)	lock nuts: 2
Remarks	
Remarks	Recommendation: check the unit for reliable function after a short circuit.
Pack quantity	1 pcs.
Electrical connection - plug	

Connector: 1 x 1/2"



Note miniature fuse to IEC60127-2 sheet 1 ≤ 2 A fast acting