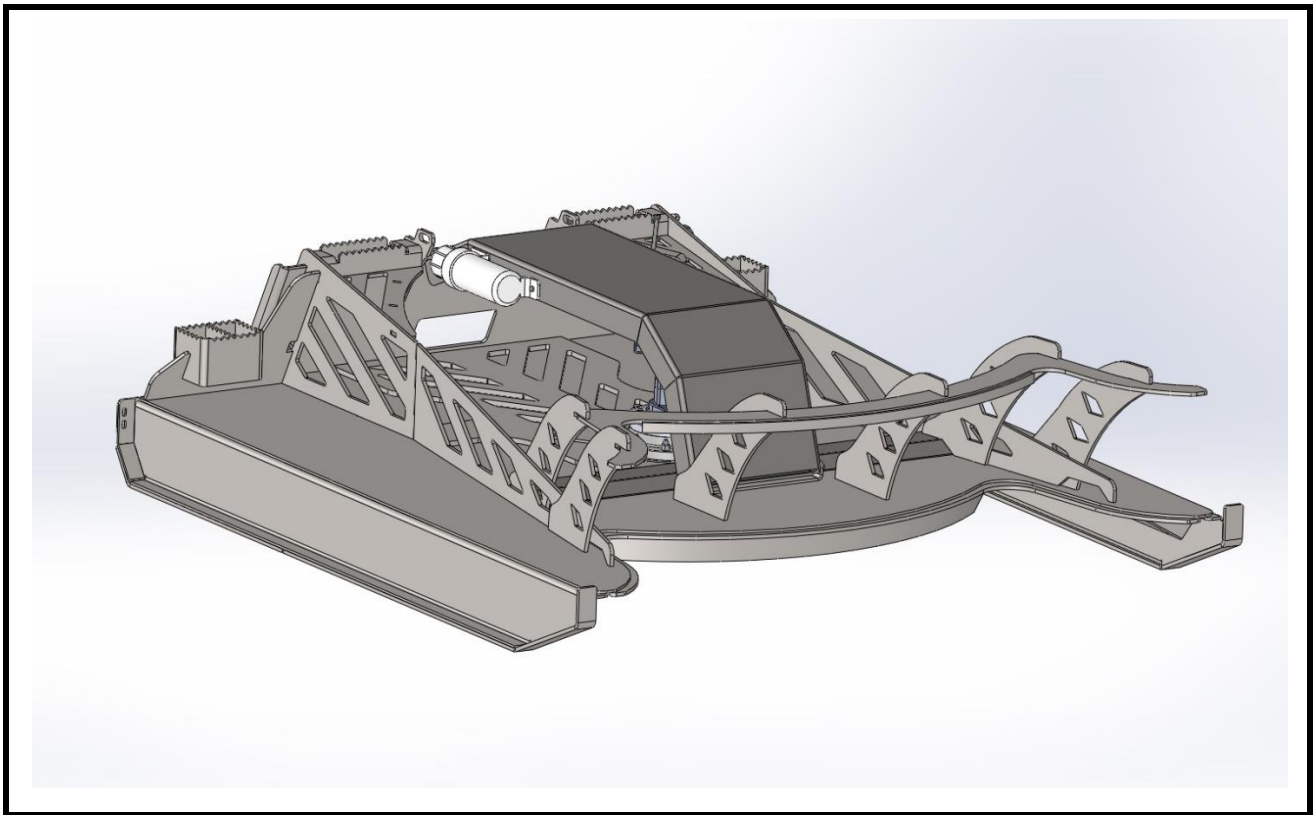




## **OPEN FRONT ROTARY BRUSH CUTTERS**

**OWNER/OPERATOR**

**SAFETY & OPERATION MANUAL**



**Division of:**  
**Broadway Welding**  
**1090 Legion Road**  
**Detroit Lakes, MN 56501**

**Phone: 218-844-5378 • Fax: 218-844-5378 • [info@legendattachments.com](mailto:info@legendattachments.com)**



## **Contents**

## **Page**

1. Reference Information	1
2. Introduction	2
3. Safety Instructions	3
4. Operating Instructions	4
5. Maintenance	5
6. Maintenance Schedule/Troubleshooting	6
7. Warranty	7
8. Flow Chart	8
9. 102375 – 60” Gear Box Standard Flow Parts Diagram	9
10. 102376 – 60” Direct Drive Standard Flow Parts Diagram	10
11. 102377 – 60” Direct Drive High Flow Parts Diagram	11
12. 60” Mower, Cover Stump Jumpers	12-13
13. 102378 – 66” Gear Box Standard Flow Parts Diagram	14
14. 102379 – 66” Direct Drive Standard Flow Parts Diagram	15
15. 102380 – 66” Direct Drive High Flow Parts Diagram	16
16. 66” Mower, Cover Stump Jumpers	17-18
15. 102381 – 72” Gear Box Standard Flow Parts Diagram	19
16. 102382 – 72” Direct Drive Standard Flow Parts Diagram	20
17. 102383 – 72” Direct Drive High Flow Parts Diagram	21
16. 72” Mower, Cover Stump Jumpers	22-23
18. 102384 – 78” Gear Box Standard Flow Parts Diagram	24
19. 102385 – 78” Direct Drive Standard Flow Parts Diagram	25
20. 102386 – 78” Direct Drive High Flow Parts Diagram	26
21. 78” Mower, Cover Stump Jumpers	27-28



**REFERENCE INFORMATION**

**Date Purchased:** \_\_\_\_\_

**Dealer Name:** \_\_\_\_\_

**Dealer Phone:** \_\_\_\_\_

**Model Number:** \_\_\_\_\_

**Serial Number:** \_\_\_\_\_

For more efficient service, please have information available when you contact your **Legend Attachments Dealer** for service, repair or warranty inquiries.

## **INTRODUCTION**

We appreciate that you purchased a Legend Attachments Rotary Brush Cutter. We are confident that you will find it to be of the highest quality and craftsmanship. We take pride in the products we design and manufacture and are sure that you will agree once you use them.

Located in Detroit Lakes, Minnesota, Legend Attachments designs and produces skid steer and compact tractor attachments of only the highest quality. From engineering and cutting raw materials to machining, welding and painting the finished product, all steps of the manufacturing process are done in-house.

This family owned and operated business has grown into a premium attachment manufacturer, supplying North America and beyond. By integrating the latest manufacturing technologies and using top-of-the-line materials, we have distinguished ourselves as a cut above the rest in the industry.

Our attachments major components are American made and manufactured with the latest technologies.

Legend Attachments Brush Cutters are designed to cut and mulch grass, brush and small trees, up to 4" with our high flow models. They are built to do a great job of clearing even the most rugged and overgrown terrain.

For your safety and the safety of others, please read this Owner/Operator Safety Manual in its entirety before operating your Legend Attachments Rotary Brush Cutter.

If you have any questions, please contact your dealer.

## **SAFETY**



**The following safety instructions are provided to alert you to many of the precautions which, if not followed, can cause serious injury to yourself or others.**

**Please read these instructions completely.**

**Become familiar with them and follow all safety instructions carefully.**

- Read this manual before using cutter.
- Never allow children to operate the cutter or other equipment.
- Know how to stop the cutter quickly in an emergency situation.
- Warn children and others to stay away from the cutter at all times.
- Shut off vehicle when not in use and remove the ignition key from when leaving it unattended.
- Clear debris from area to be cut.
- Never raise the mower deck when the blades are rotating, even when turning the skid steer.
- Operate cutter in daylight only, or in very good artificial light.
- Make sure the machine is in good operating condition.
- Give undivided attention to the job at hand.
- Do not operate the cutter in the vicinity of other people and do not allow riders.
- Keep safe distance in the front and rear of the mower.
- Use extreme caution when cutting on uneven terrain.
- Safety goggles and hearing protection must be worn while operation.
- Keep all safety shields in place, except when necessary for service or repair.
- Make sure all hydraulic connections are tight and hoses are in good condition.
- Hydraulic fluid escaping under pressure can cause serious injury.
- Always lower attachments to the ground when not in operation.
- Make sure the cutter is properly serviced and all bolts are tight before operating.
- Read and observe all warning and caution decals. Replace is illegible or missing.
- Do not modify machine or attachments

## **OPERATING INSTRUCTIONS**

- Mount the Legend Attachments Rotary Brush Cutter on your skid steer or excavator. Once connected, visually check the lock pins to make sure the unit is securely locked in place.
- Raise the Brush Cutter to 12" above ground level. Loop the lift limit chain through the chain ring on your skid steer and back to the chain bracket on the Brush Cutter. Lock the chain securely to the bracket. (skid steers only).
- Connect the flat-faced couplers to your skid steer or excavator as you would any other hydraulic attachment.
- **IMPORTANT:** Do not operate the low flow or standard Brush Cutters on high flow hydraulics over 30 gpm. Doing so will damage the motor and/or void the warranty.
- When applying power to the Brush Cutter, make sure the unit is operating smoothly and at full speed before moving the skid steer or excavator forward. Make sure the wear bars of the unit are as close to the ground as possible. NEVER raise the rear of the unit higher than 7 inches.
- Be careful not to overload the Brush Cutter. If the blades are unable to handle the volume of the brush, slow down until the unit reaches full speed before proceeding.
- Blades should be rotating in a counter-clockwise direction. If not, adjust your hydraulics so they are.
- Stay alert for drop-offs or holes of any kind. Slow down and take extra precautions when operating the Brush Cutter on a slope. Failure to do so could result in tipping or loss of control of the unit and possible injury.
- When cutting larger diameter brush, such as small trees, raise the front of the Brush Cutter slightly and move forward slowly, bending the tree over to make the cut.
- When finished cutting, throttle down the skid steer or excavator and then shut off hydraulic flow to the unit. **CAUTION:** If disconnecting the hydraulic hoses, use proper hand protection as the coupler may be hot!
- Do not loan your Brush Cutter to another skid steer or excavator owner for fear of hydraulic contamination that may shorten the life of your skid steer or excavator hydraulics and the hydraulic motor on your Brush Cutter.



## **MAINTENANCE**

Your new Legend Attachments Rotary Brush Cutter is engineered and built to last many years with very little maintenance by following these maintenance guidelines.

- Before operation, check the gear box (If not a direct drive unit) for proper lubricant levels. If low, fill to the proper level with SAE 85-140 weight gear lubricant. To check the lubricant level, remove the plug from the side of the gear box. Lubricant should be at the same level as the plug. **IMPORTANT:** Do not overfill, as too much lubricant may rupture the gear box seals.
- Check all nuts and bolts for proper tightness, especially those securing the motor, gear box and safety devices. Although these are checked at the factory, we recommend you check them after the first 4-6 hours of operation, and at regular intervals thereafter.
- Tighten all nuts that secure the blades to the stump jumper/blade carrier every 8 hours. Torque to 450 ft. lbs. Nuts are located under the access plate on the top of the cutter deck. Also tighten the castle nut holding the blade carrier or bar carrier to the lower end of the gear box. Torque to 450 ft. lbs.
- Inspect blades regularly to ensure that they are sharp, undamaged, tightened correctly and intact. **CAUTION:** Always replace blades as a set and **never** try to weld or straighten damaged blades, as loss of blade integrity may result.
- Wash your Brush Cutter frequently, cleaning the top and underneath the cutting deck. Keeping the unit clean allows for easier inspection for damage or obstruction, and results in better overall performance.
- **CAUTION:** Replace missing or damaged safety chains and missing or illegible safety decals immediately. Items are available through your Legend Attachments dealer.

## **MAINTENANCE SCHEDULE/CHECK LIST**

**CAUTION:** Perform all maintenance and repairs in a level surface with the unit firmly on the ground (when applicable). Shut off hydraulic power supply and disconnect the hydraulic couplers.

### **Nuts & Bolts: (EXTREMELY IMPORTANT)**

- Check for tightness.
- Check blade bolts every 8 hours. Torque to 450 ft. lbs.
- Check all other miscellaneous nuts and bolts.

### **Blades:**

- Inspect for dull or damaged blades before each use.
- NEVER try to weld or straighten damaged blades.
- Inspect bearing housing yearly. Remove foreign material.

### **Gear Box:**

- Check every 8 hours for proper lubrication level.
- Check lower seal for leaks every 8 hours.

### **Hoses:**

- Check every 8 hours for wear and/or damage.

### **Storage:**

- Clean unit thoroughly and inspect for wear or damage.
- Apply rust preventive oil (spray) to all moving parts.
- Apply rust preventive oil to bottom of deck
- Protect hydraulic couplers from dirt and corrosion

## **MAINTENANCE SCHEDULE CHART**

Extremely Important: For safety and optimum performance, all nuts and bolts must be checked regularly for proper torque. See chart below.

<b>ITEM</b>	<b>CHECK EVERY</b>	<b>LUBRICATION</b>	<b>TORQUE</b>
<u>Gear Box Nuts – 65 hp</u>	<u>8 hrs/Daily</u>	<u>GL5 EP80/90</u>	<u>250 ft. lbs.</u>
<u>Gear Box Nuts – 35 hp</u>	<u>8 hrs/Daily</u>	<u>GL5 EP80/90</u>	<u>200 ft. lbs.</u>
<u>Direct Drive Bearing Carrier</u>	<u>8 hrs/Daily</u>	<u>GL5 EP80/90</u>	<u>75 ft. lbs.</u>
<u>Hydraulic Motor</u>	<u>8 hrs/Daily</u>	<u>None</u>	<u>100 ft. lbs.</u>
<u>Blade Bolt/Nuts</u>	<u>8 hrs/Daily</u>	<u>None</u>	<u>450 ft. lbs.</u>
<u>Gear Box Castle Nut</u>	<u>8 hrs/Daily</u>	<u>None</u>	<u>450 ft. lbs.</u>
<u>Misc. Nuts/Bolts</u>	<u>16 Hours</u>	<u>None</u>	<u>Tight/Firm</u>
<u>Coupler Grade 2 Nut/Bolt</u>	<u>8 hrs/Daily</u>	<u>None</u>	<u>Tight /Firm</u>
<u>Grade 5 Nut/Bolt</u>	<u>8 hrs/Daily</u>	<u>None</u>	<u>Tight/Firm</u>

Hoses should be inspected for wear or damage every 8 hrs./Daily. Replace if necessary.

## **WARRANTY STATEMENT**

### **WARRANTY PROVISION**

Broadway Welding, Inc. (dba Legend Attachments), 1090 Legion Road, Detroit Lakes, MN 56501, warrants their attachments to the original purchaser that every new Legend Attachment be free from defects in workmanship and material at the time of purchase, for a period of one year. We offer the only true Performance Guarantee in the industry. If your serial numbered attachment fails because of defects in material or workmanship, under normal conditions in a 12 month period we will replace it at no charge! This warranty does not cover replacement of scheduled service items and high wear items.

### **WARRANTY EXCLUSIONS**

Legend Attachments will not be responsible for any of the following:

1. Defects or damage resulting from use, repairs or service performed by someone other than Legend Attachments.
2. Defects, damage or failure resulting from any alterations or additions done in a manner not approved by Legend Attachments.
3. Defects, damage, failure or depreciation resulting from normal "wear and tear", accident, misuse, negligence, improper maintenance or Improper protection and storage.
4. Incidental or consequential damages, including, but not limited to, Loss of profits, loss of time, loss of crops, inconvenience, loss of use of the attachment, cost of rentals, replacement of the attachment or other commercial loss.

### **LIMITED WARRANTY**

The obligation of Broadway Welding, Inc. (Legend Attachments) and its dealers is limited to the obligations set in this limited warranty. This limited warranty is in lieu of all other warranties of Broadway Welding Inc. and their dealers, expressed or implied. No other person is authorized to give any other warranty or to assume any other liability on behalf of Broadway Welding Inc. or their dealers.

The Owner/Operator Safety/Instruction Manual supplied with the Legend Attachments Brush Cutter contains important maintenance and service information. Read this manual and follow the recommendations contained therein.

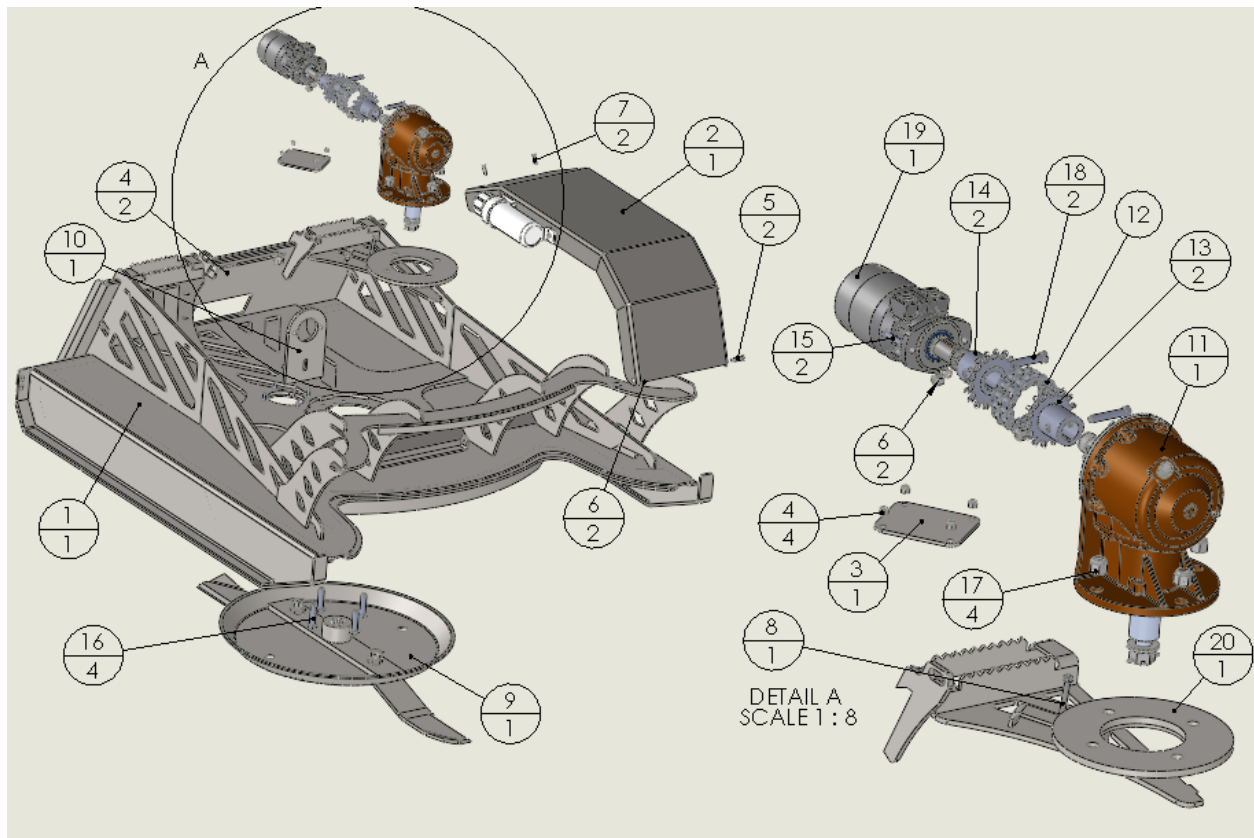
Please remember that failures due to improper maintenance or service are not covered by this limited warranty.

Broadway Welding, Inc. reserves the right to make design changes or specifications at any time without obligation to purchasers, or equipment and components previously sold. This warranty may not be altered in any way.

## Brush Mower Flow Chart

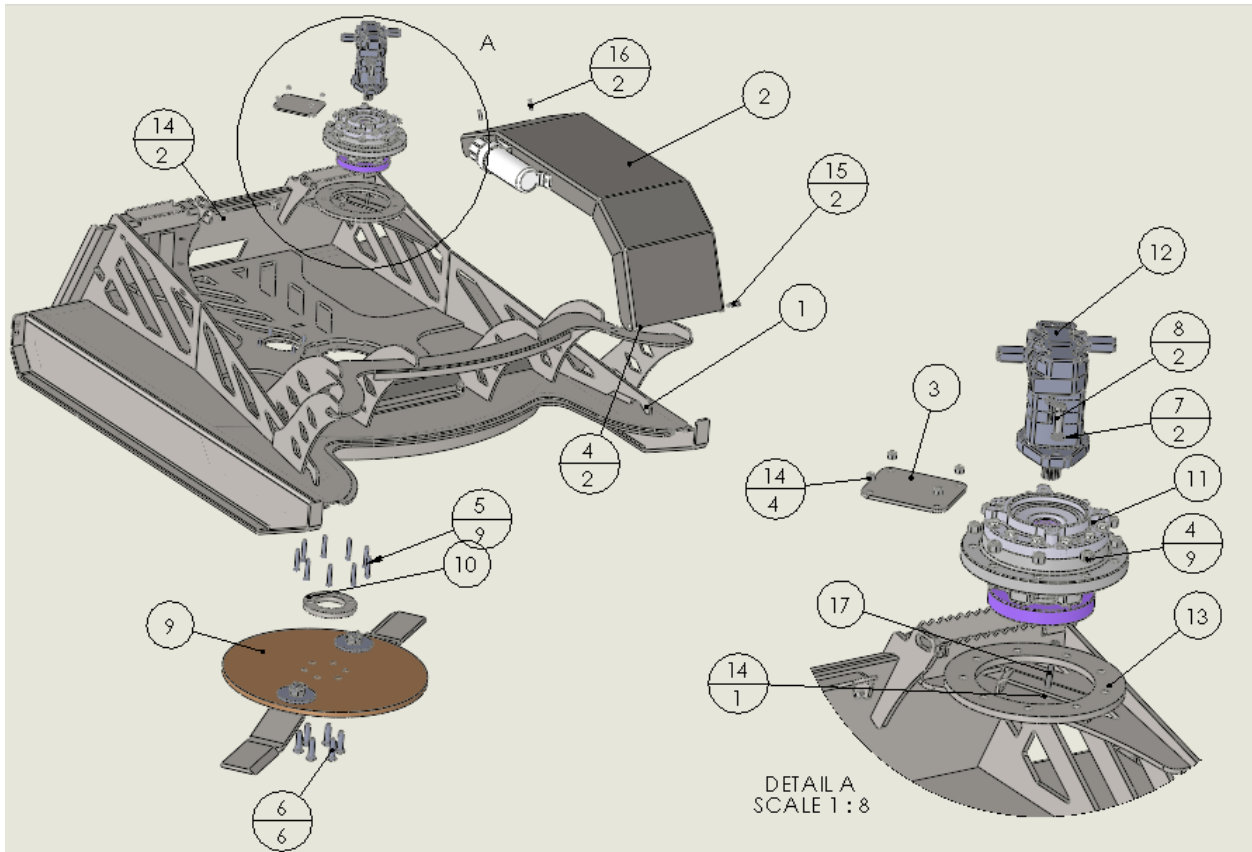
<i>Part #</i>	<i>Description</i>	<i>Weight (lbs.)</i>
33257	60" Gear Box Standard Flow Brush Cutter ( 25 & less GPM ) 65 HP Gear Box	965
33253	60" Direct Drive Standard Flow Brush Cutter ( 16 to 24 GPM ) using a 6.2 motor	950
33261	60" Direct Drive High Flow Brush Cutter ( 33 to 45 GPM ) using a 11.9 motor	1000
33258	66" Gear Box Standard Flow Brush Cutter ( 25 & less GPM ) 65 HP Gear Box	1135
33254	66" Direct Drive Standard Flow Brush Cutter ( 16 to 24 GPM ) using a 6.2 motor	1120
33262	66" Direct Drive High Flow Brush Cutter ( 33 to 45 GPM ) using a 11.9 motor	1150
33256	72" Gear Box Standard Flow Brush Cutter ( 25 & less GPM ) 65 HP Gear Box	1235
33252	72" Direct Drive Standard Flow Brush Cutter ( 16 to 24 GPM ) using a 6.2 motor	1220
33260	72" Direct Drive High Flow Brush Cutter ( 33 to 45 GPM ) using a 11.9 motor	1255
33259	78" Gear Box Standard Flow Brush Cutter ( 25 & less GPM ) 65 HP Gear Box	1600
33255	78" Direct Drive Standard Flow Brush Cutter ( 16 to 24 GPM ) using a 6.2 motor	1585
33263	78" Direct Drive High Flow Brush Cutter ( 33 to 45 GPM ) using a 11.9 motor	1620

# 33257 – 60” Brush Mower – Gear Box – Standard Flow



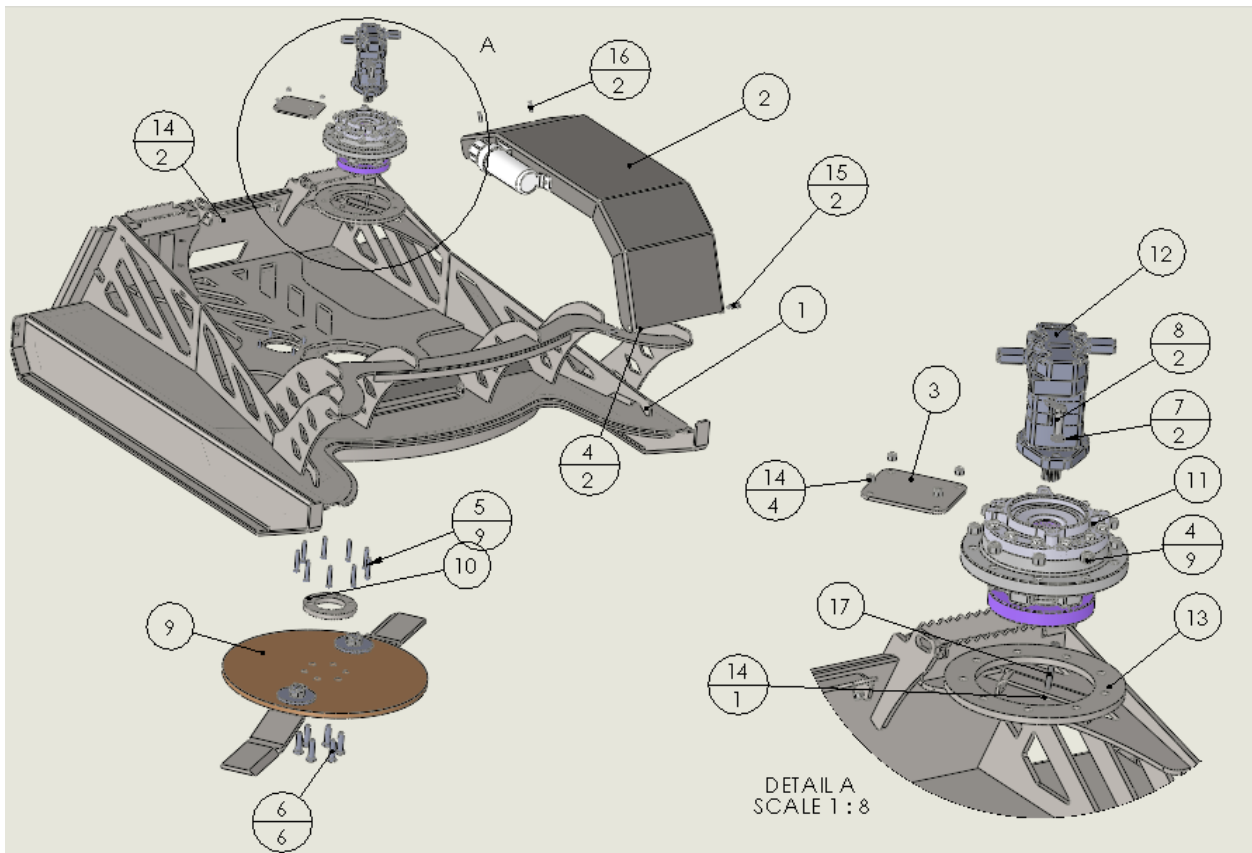
ITEM NO.	PART NUMBER	DESCRIPTION	QTY.
1	33253A	60" Open Front Universal Brush Mower	1
2	33253B	60" Brush Mower Motor Cover Assembly	1
3	33058A-25	Brush Mower Stump Jumper Access Cover	1
4	90640A131	3/8-16 Nylon Lock Nut	9
5	92865A716	1/2-13 x 1.5" Hex Bolt	2
6	90640A133	1/2-13 Nylon Lock Nut	4
7	92865A626	3/8-16 x 1.25" Hex Bolt	2
8	91247A640	3/8-16 x4" Hex Bolt	1
9	33145	60" Gear Box Brush Mower Stump Jumper Assembly	1
10	33088B	Gear Box Brush Mower Motor Mount	1
11	RC-61_250373	Gear Box	1
12	D6018-SAPPHIRE	Coupler Chain	1
13	20006018	Coupler Sprocket	2
14	B153X001	Coupler Bushing	2
15	91257A630	3/8-16 x 1.75" Hex Bolt	2
16	91257A844	3/4-10 x 2.75" Long Grade 8 Hex Bolt	4
17	95615A270	3/4-10 Nylon Lock Nut	4
18	91257A723	1/2-13 x 2.75" Hex Bolt	2
19	TF0140AS031 BBFY-CUSTOMER	Gear Box Motor	1
20	33088A	Gear Box Brush Mower Adapter	1

# 33253 – 60” Brush Mower – Direct Drive – Standard Flow



ITEM NO.	PART NUMBER	DESCRIPTION	QTY.
1	33253A	60" Open Front Universal Brush Mower	1
2	33253B	60" Brush Mower Motor Cover Assembly	1
3	33058A-25	Brush Mower Stump Jumper Access Cover	1
4	90640A133	1/2-13 Nylon Lock Nut	11
5	91257A723	1/2-13 x 2.75" Hex Bolt	9
6	92620A874	3/4-16 x 2.5" Grade 8 Hex Bolt	6
7	91102A770	1/2 Lock Washer	2
8	92865A718	1/2-13 x 1.75" Hex Bolt	2
9	33147	60" Direct Drive Brush Mower Stump Jumper Assembly	1
10	33058A-27	Brush Mower Stump Jumper Spacer	1
11	50-006-7244 Rev A	Direct Drive Bearing Carrier	1
12	104-3945-006-3dmodel	Direct Drive Pump	1
13	33058A-26	Direct Drive Motor Insert	1
14	90640A131	3/8-16 Nylon Lock Nut	7
15	92865A716	1/2-13 x 1.5" Hex Bolt	2
16	92865A626	3/8-16 x 1.25" Hex Bolt	2
17	91247A640	3/8-16 x 4" Hex Bolt	1

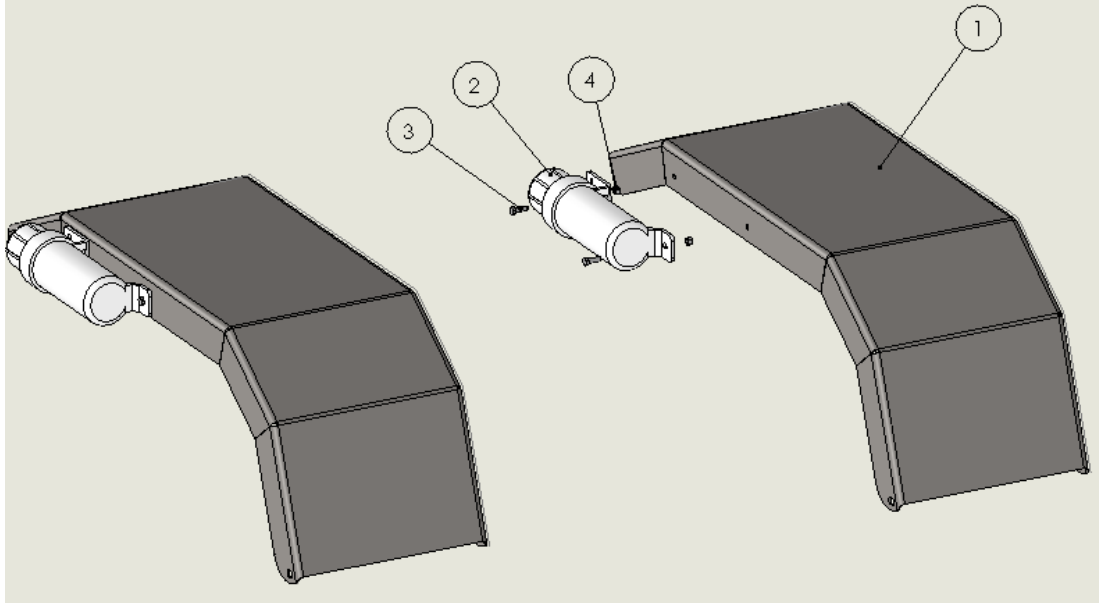
# 33261 – 60” Brush Mower – Direct Drive – High Flow



ITEM NO.	PART NUMBER	DESCRIPTION	QTY.
1	33253A	60" Open Front Universal Brush Mower	1
2	33253B	60" Brush Mower Motor Cover Assembly	1
3	33058A-25	Brush Mower Stump Jumper Access Cover	1
4	90640A133	1/2-13 Nylon Lock Nut	11
5	91257A723	1/2-13 x 2.75" Hex Bolt	9
6	92620A874	3/4-16 x 2.5" Grade 8 Hex Bolt	6
7	91102A770	1/2 Lock Washer	2
8	92865A718	1/2-13 x 1.75" Hex Bolt	2
9	33147	60" Direct Drive Brush Mower Stump Jumper Assembly	1
10	33058A-27	Brush Mower Stump Jumper Spacer	1
11	50-006-7244 Rev A	Direct Drive Bearing Carrier	1
12	112-1475-006	Direct Drive Pump High Flow	1
13	33058A-26	Direct Drive Motor Insert	1
14	90640A131	3/8-16 Nylon Lock Nut	7
15	92865A716	1/2-13 x 1.5" Hex Bolt	2
16	92865A626	3/8-16 x 1.25" Hex Bolt	2
17	91247A640	3/8-16 x4" Hex Bolt	1

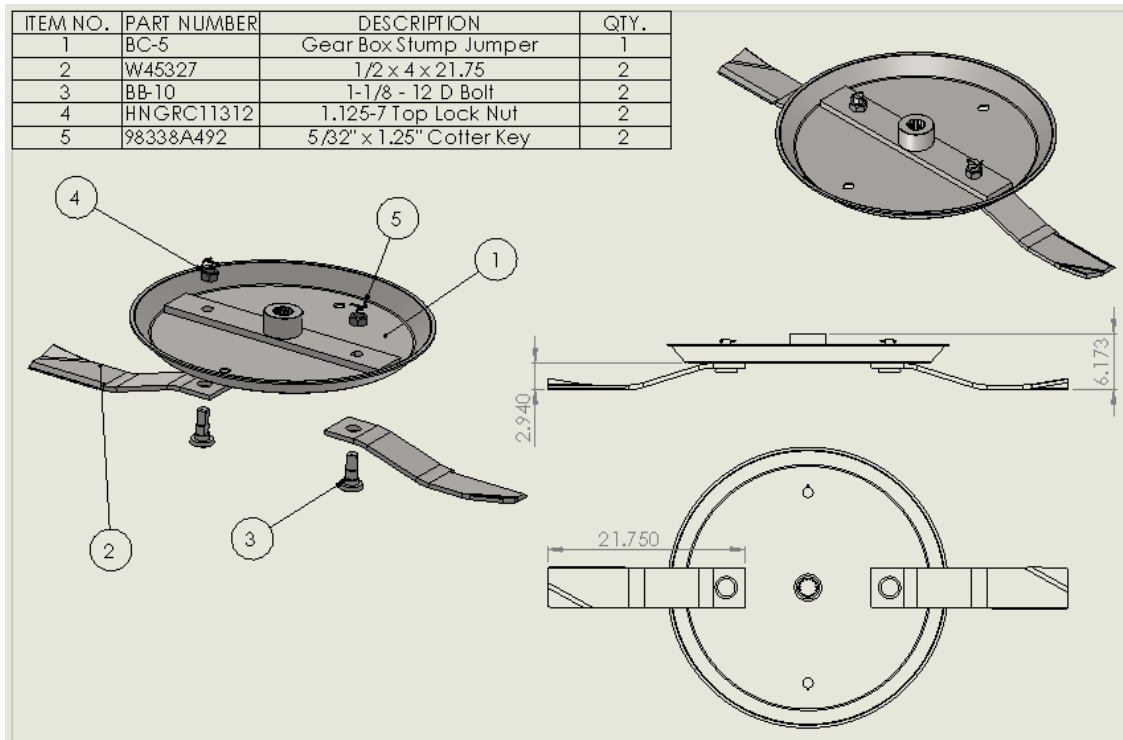
## 33253B – 60” Brush Mower – Cover

ITEM NO.	PART NUMBER	DESCRIPTION	QTY.
1	33253B-01	60" Brush Mower Motor Guard	1
2	67670	Manual Storage Container	1
3	92865A583	5/16-18 x 1" Hex Bolt	2
4	95615A160	5/16-18 Nylon Lock Nut	2



## 33145 – 60” Brush Mower Gear Box Stump Jumper Assm.

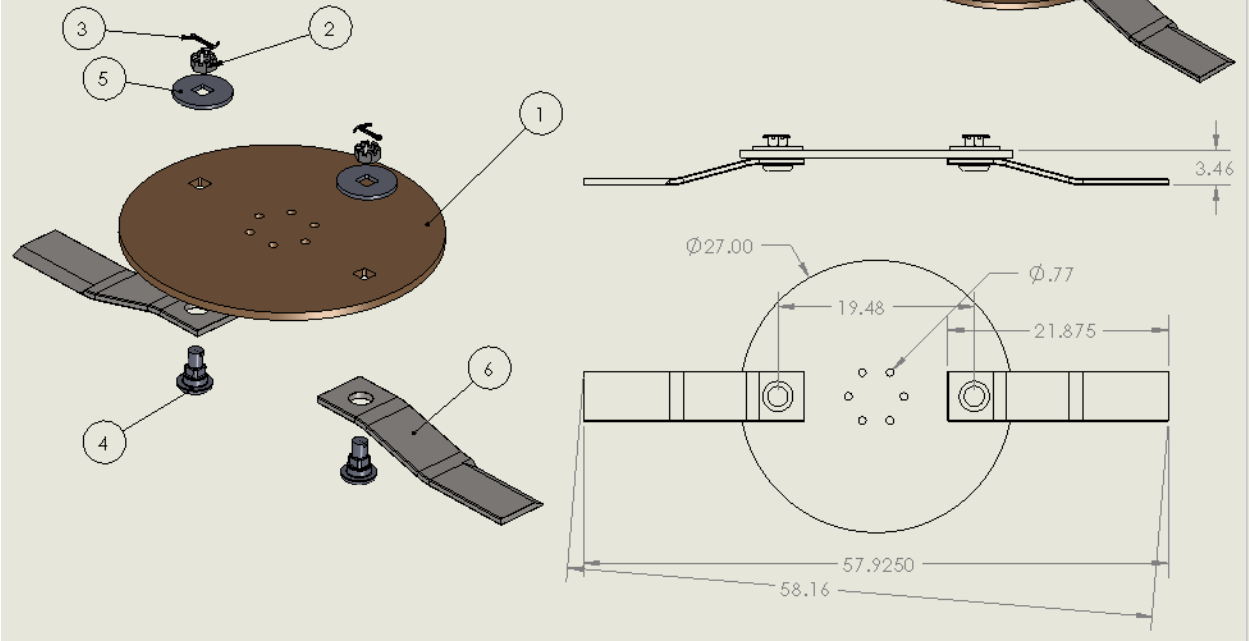
ITEM NO.	PART NUMBER	DESCRIPTION	QTY.
1	BC-5	Gear Box Stump Jumper	1
2	W45327	1/2 x 4 x 21.75	2
3	BB-10	1-1/8 - 12 D Bolt	2
4	HNGRC11312	1.125-7 Top Lock Nut	2
5	98338A492	5/32" x 1.25" Cotter Key	2



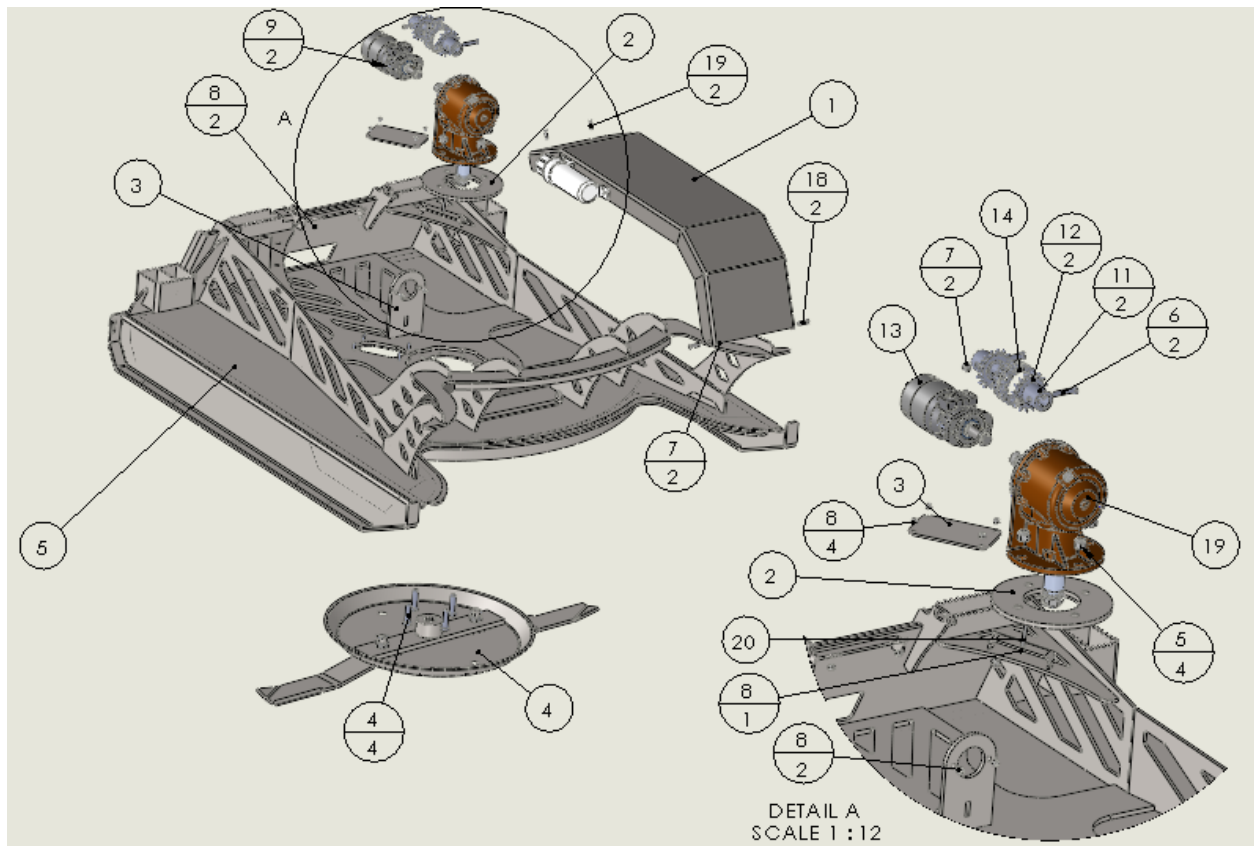


# 33147 – 60” Brush Mower Direct Drive Stump Jumper Assm.

ITEM NO.	PART NUMBER	DESCRIPTION	QTY.
1	33151-1	60" Brush Mower Stump Jumper Plate	1
2	95030A360	1.25-7 Castle Nut	2
3	98355A320	0.750" Cotter Key	2
4	BB-100A	Straight Blade Bolt	2
5	BB-100A-Spacer	BB-100A Nut Spacer	2
6	LM-7191	5/8 x 5 x 21.875 Blade	2

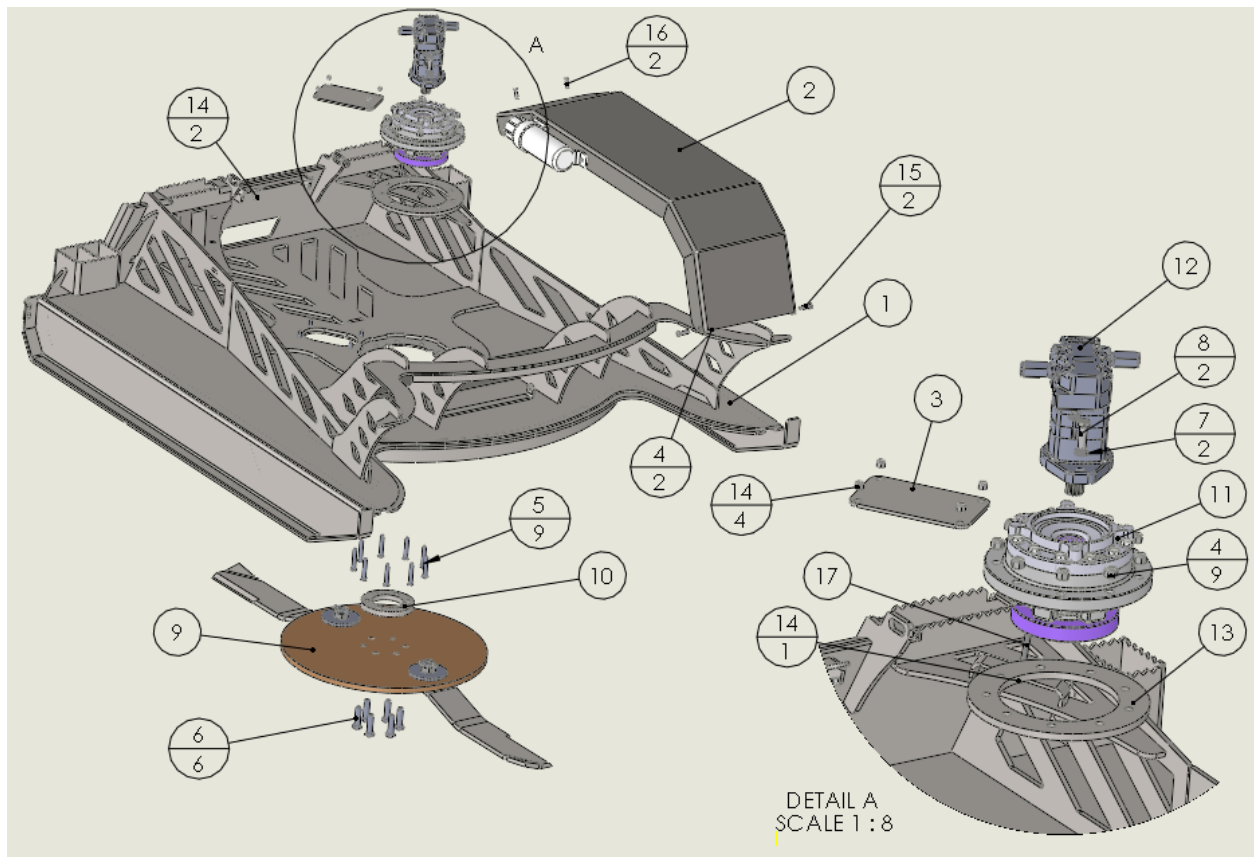


# 33258 – 66” Brush Mower – Gear Box – Standard Flow



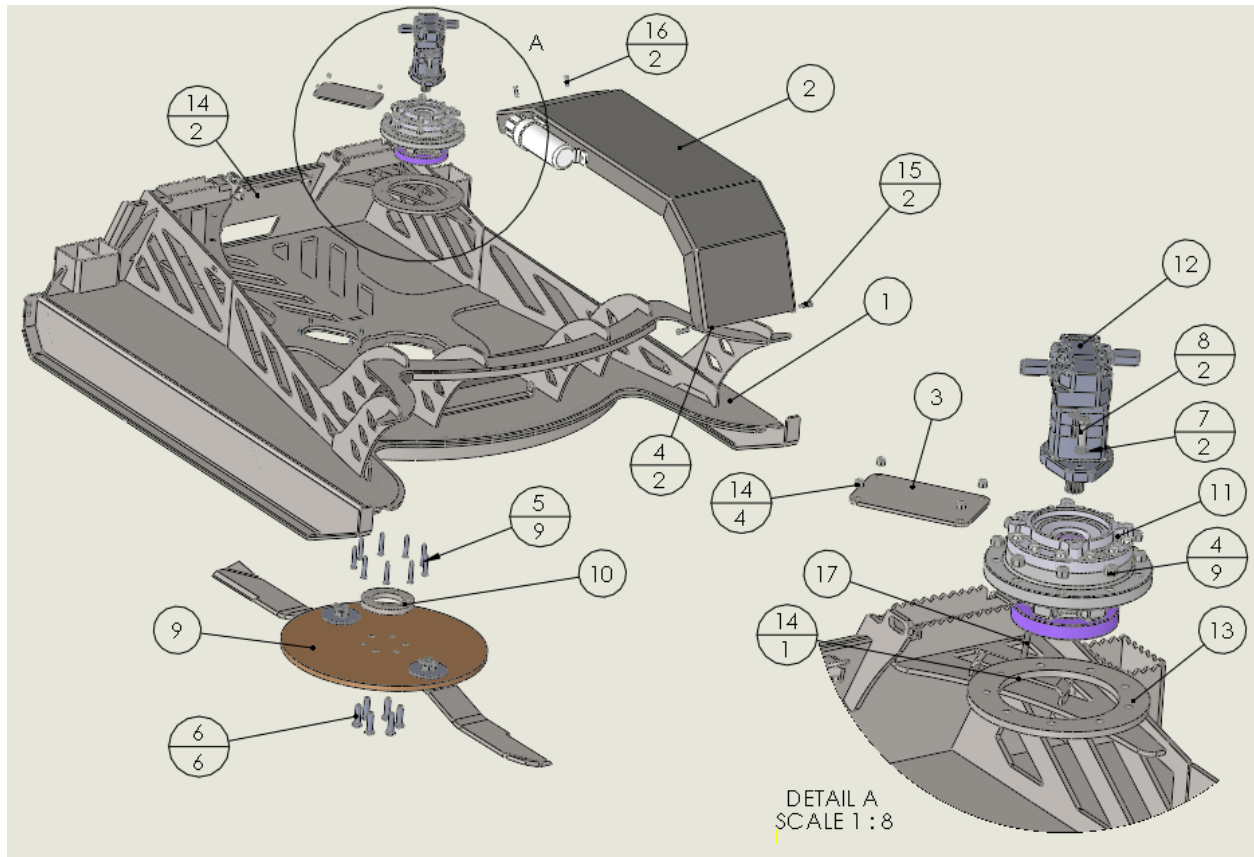
ITEM NO.	PART NUMBER	DESCRIPTION	QTY.
1	33254A	66" Open Front Universal Brush Mower	1
2	33058E	72" Brush Mower Motor Cover Assembly	1
3	33254A-14	Brush Mower Stump Jumper Access Cover	1
4	91257A844	3/4-10 x 2.75" Long Grade 8 Hex Bolt	4
5	95615A270	3/4-10 Nylon Lock Nut	4
6	91257A723	1/2-13 x 2.75" Hex Bolt	2
7	90640A133	1/2-13 Nylon Lock Nut	4
8	90640A131	3/8-16 Nylon Lock Nut	9
9	91257A630	3/8-16 x 1.75" Hex Bolt	2
10	33168	66" Gear Box Brush Mower Stump Jumper Assembly	1
11	B153X001	Coupler Bushing	2
12	20006018	Coupler Sprocket	2
13	TF0140AS031BBFY-CUSTOMER	Gear Box Motor	1
14	D6018-SAPPHIRE	Coupler Chain	1
15	RC-61 250373	Gear Box	1
16	33088B	Gear Box Brush Mower Motor Mount	1
17	33088A	Gear Box Brush Mower Adapter	1
18	92865A716	1/2-13 x 1.5" Hex Bolt	2
19	92865A626	3/8-16 x 1.25" Hex Bolt	2
20	91247A640	3/8-16 x 4" Hex Bolt	1

# 33254 – 66” Brush Mower – Direct Drive – Standard Flow



ITEM NO.	PART NUMBER	DESCRIPTION	QTY.
1	33254A	66" Open Front Universal Brush Mower	1
2	33058E	72" Brush Mower Motor Cover Assembly	1
3	33254A-14	Brush Mower Stump Jumper Access Cover	1
4	90640A133	1/2-13 Nylon Lock Nut	11
5	91257A723	1/2-13 x 2.75" Hex Bolt	9
6	92620A874	3/4-16 x 2.5" Grade 8 Hex Bolt	6
7	91102A770	1/2 Lock Washer	2
8	92865A718	1/2-13 x 1.75" Hex Bolt	2
9	33151	72" Direct Drive Brush Mower Stump Jumper Assembly	1
10	33058A-27	Brush Mower Stump Jumper Spacer	1
11	50-006-7244 Rev A	Direct Drive Bearing Carrier	1
12	104-3945-006-3dmodel	Direct Drive Pump	1
13	33058A-26	Direct Drive Motor Insert	1
14	90640A131	3/8-16 Nylon Lock Nut	7
15	92865A716	1/2-13 x 1.5" Hex Bolt	2
16	92865A626	3/8-16 x 1.25" Hex Bolt	2
17	91247A640	3/8-16 x 4" Hex Bolt	1

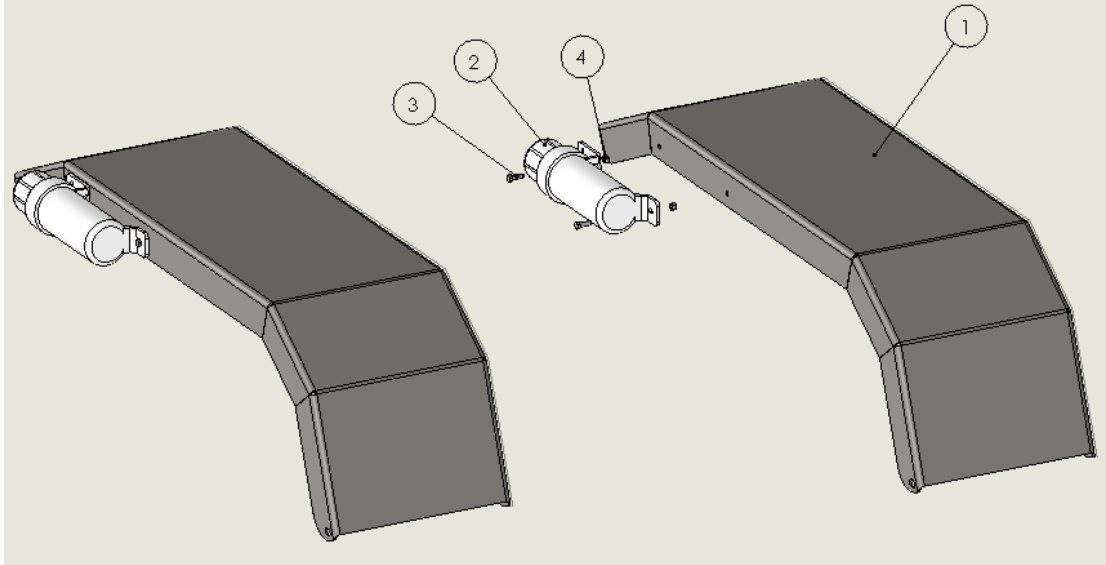
# 33262 – 66” Brush Mower – Direct Drive – High Flow



ITEM NO.	PART NUMBER	DESCRIPTION	QTY.
1	33254A	66" Open Front Universal Brush Mower	1
2	33058E	72" Brush Mower Motor Cover Assembly	1
3	33254A-14	Brush Mower Stump Jumper Access Cover	1
4	90640A133	1/2-13 Nylon Lock Nut	11
5	91257A723	1/2-13 x 2.75" Hex Bolt	9
6	92620A874	3/4-16 x 2.5" Grade 8 Hex Bolt	6
7	91102A770	1/2 Lock Washer	2
8	92865A718	1/2-13 x 1.75" Hex Bolt	2
9	33151	72" Direct Drive Brush Mower Stump Jumper Assembly	1
10	33058A-27	Brush Mower Stump Jumper Spacer	1
11	50-006-7244 Rev A	Direct Drive Bearing Carrier	1
12	112-1475-006	Direct Drive Pump High Flow	1
13	33058A-26	Direct Drive Motor Insert	1
14	90640A131	3/8-16 Nylon Lock Nut	7
15	92865A716	1/2-13 x 1.5" Hex Bolt	2
16	92865A626	3/8-16 x 1.25" Hex Bolt	2
17	91247A640	3/8-16 x4" Hex Bolt	1

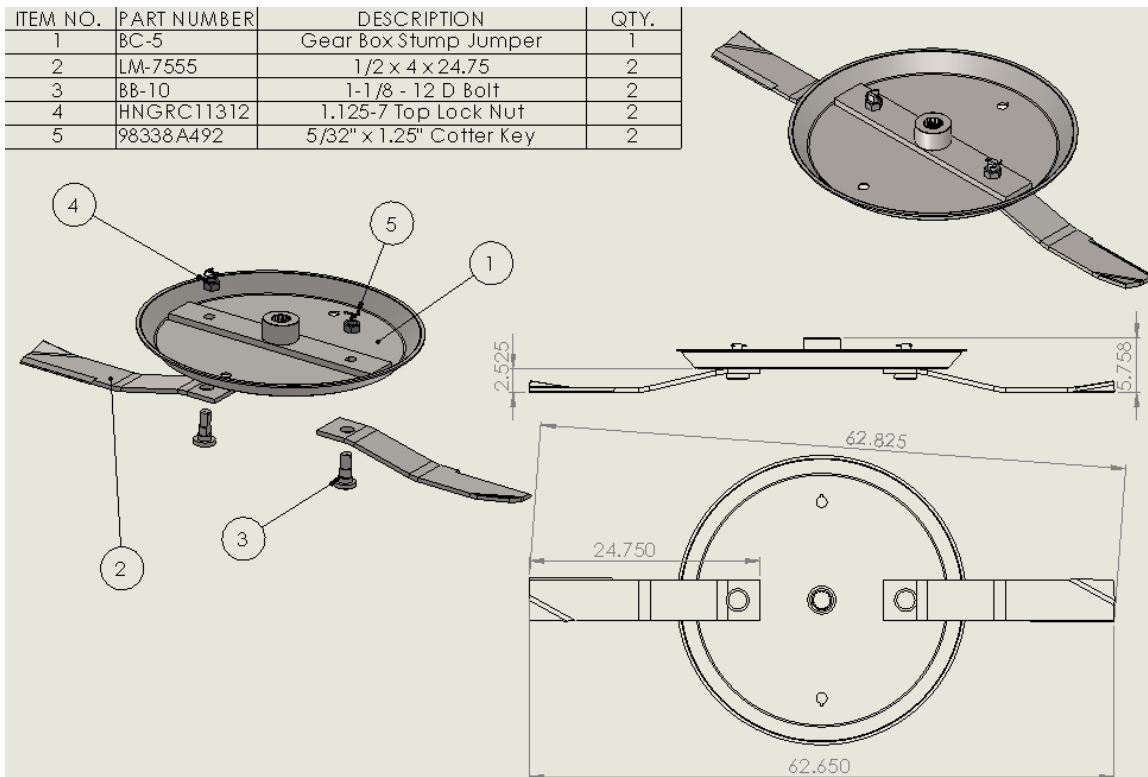
## 33058E – 66” Brush Mower – Cover

ITEM NO.	PART NUMBER	DESCRIPTION	QTY.
1	33058E-01	72" Brush Mower Motor Guard	1
2	67670	Manual Storage Container	1
3	92865A583	5/16-18 x 1" Hex Bolt	2
4	95615A160	5/16-18 Nylon Lock Nut	2



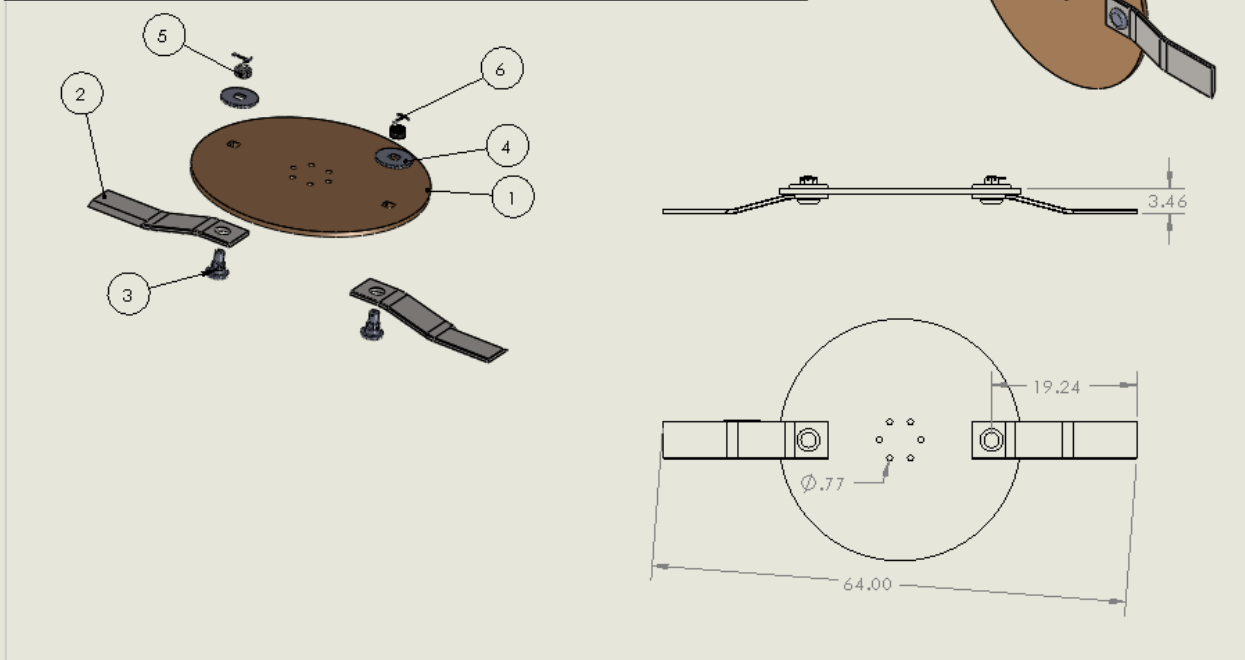
## 33168 – 66” Brush Mower Gear Box Stump Jumper Assm.

ITEM NO.	PART NUMBER	DESCRIPTION	QTY.
1	BC-5	Gear Box Stump Jumper	1
2	LM-7555	1/2 x 4 x 24.75	2
3	BB-10	1-1/8 - 12 D Bolt	2
4	HNGRC11312	1.125-7 Top Lock Nut	2
5	98338A492	5/32" x 1.25" Cotter Key	2

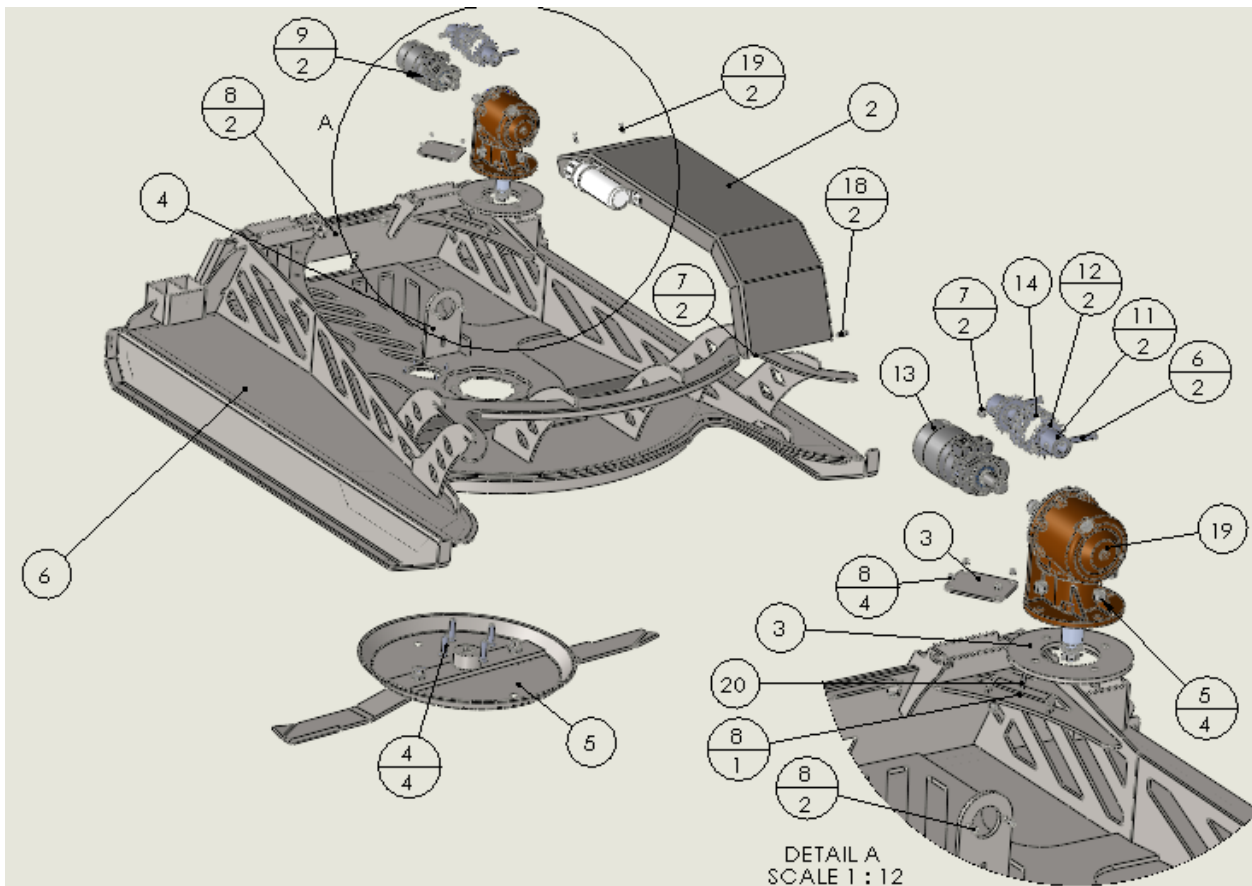


# 33110 – 66” Brush Mower Direct Drive Stump Jumper Assm.

ITEM NO.	PART NUMBER	DESCRIPTION	QTY.
1	33110-1	32" Blade Carrier	1
2	LM-7191	5/8 x 5 x 21.875 Blade	2
3	BB-100A	Straight Blade Bolt	2
4	BB-100A-Spacer	BB-100A Nut Spacer	2
5	95030A360	1.25-7 Castle Nut	2
6	98355A320	0.750" Cotter Key	2

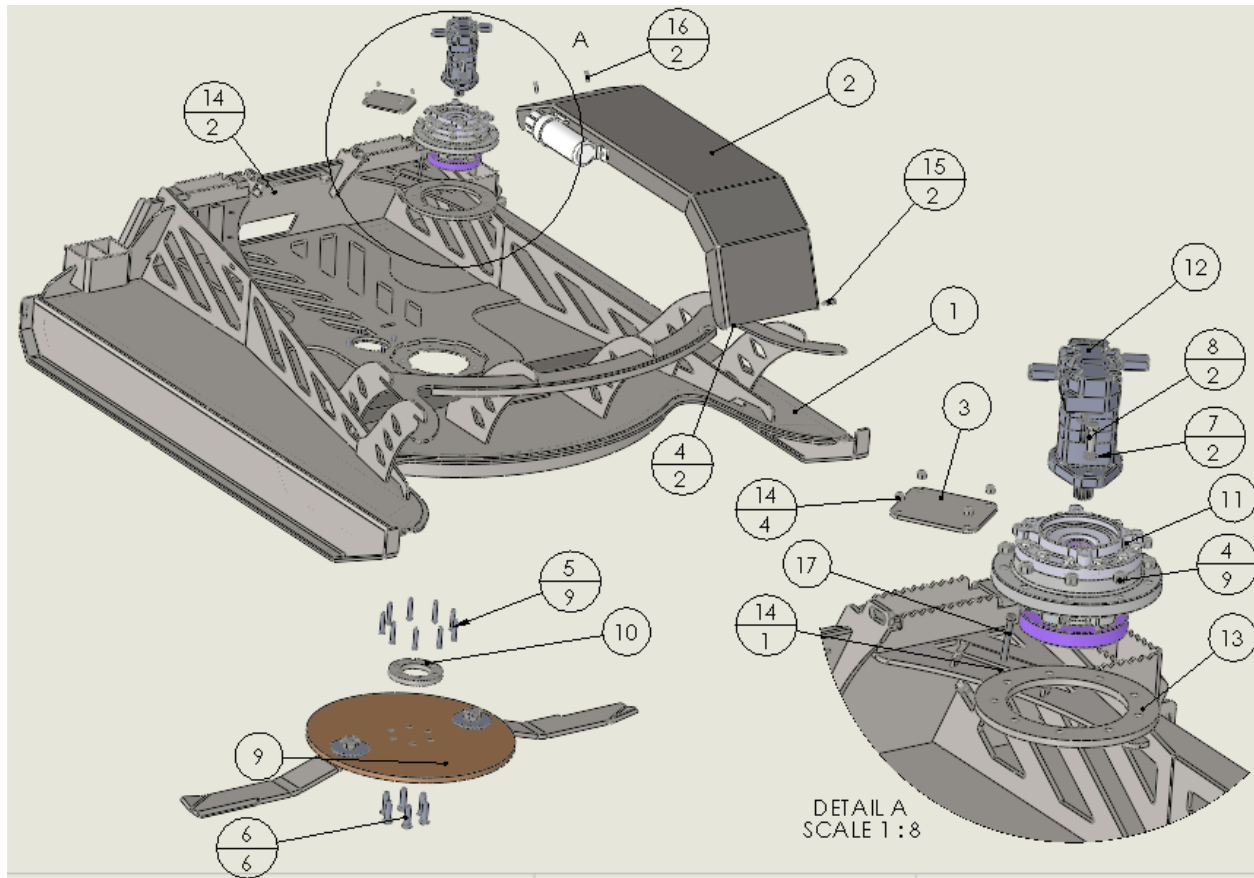


# 33256 – 72” Brush Mower – Gear Box – Standard Flow



ITEM NO.	PART NUMBER	DESCRIPTION	QTY.
1	33252A	72" Open Front Universal Brush Mower	1
2	33058E	72" Brush Mower Motor Cover Assembly	1
3	33058A-25	Brush Mower Stump Jumper Access Cover	1
4	91257A844	3/4-10 x 2.75" Long Grade 8 Hex Bolt	4
5	95615A270	3/4-10 Nylon Lock Nut	4
6	91257A723	1/2-13 x 2.75" Hex Bolt	2
7	90640A133	1/2-13 Nylon Lock Nut	4
8	90640A131	3/8-16 Nylon Lock Nut	9
9	91257A630	3/8-16 x 1.75" Hex Bolt	2
10	33138	72" Gear Box Brush Mower Stump Jumper Assembly	1
11	B153X001	Coupler Bushing	2
12	20006018	Coupler Sprocket	2
13	TF0140AS031BBFY-CUSTOMER	Gear Box Motor	1
14	D6018-SAPPHIRE	Coupler Chain	1
15	RC-61 250373	Gear Box	1
16	33088B	Gear Box Brush Mower Motor Mount	1
17	33088A	Gear Box Brush Mower Adapter	1
18	92865A716	1/2-13 x 1.5" Hex Bolt	2
19	92865A626	3/8-16 x 1.25" Hex Bolt	2
20	91247A640	3/8-16 x 4" Hex Bolt	1

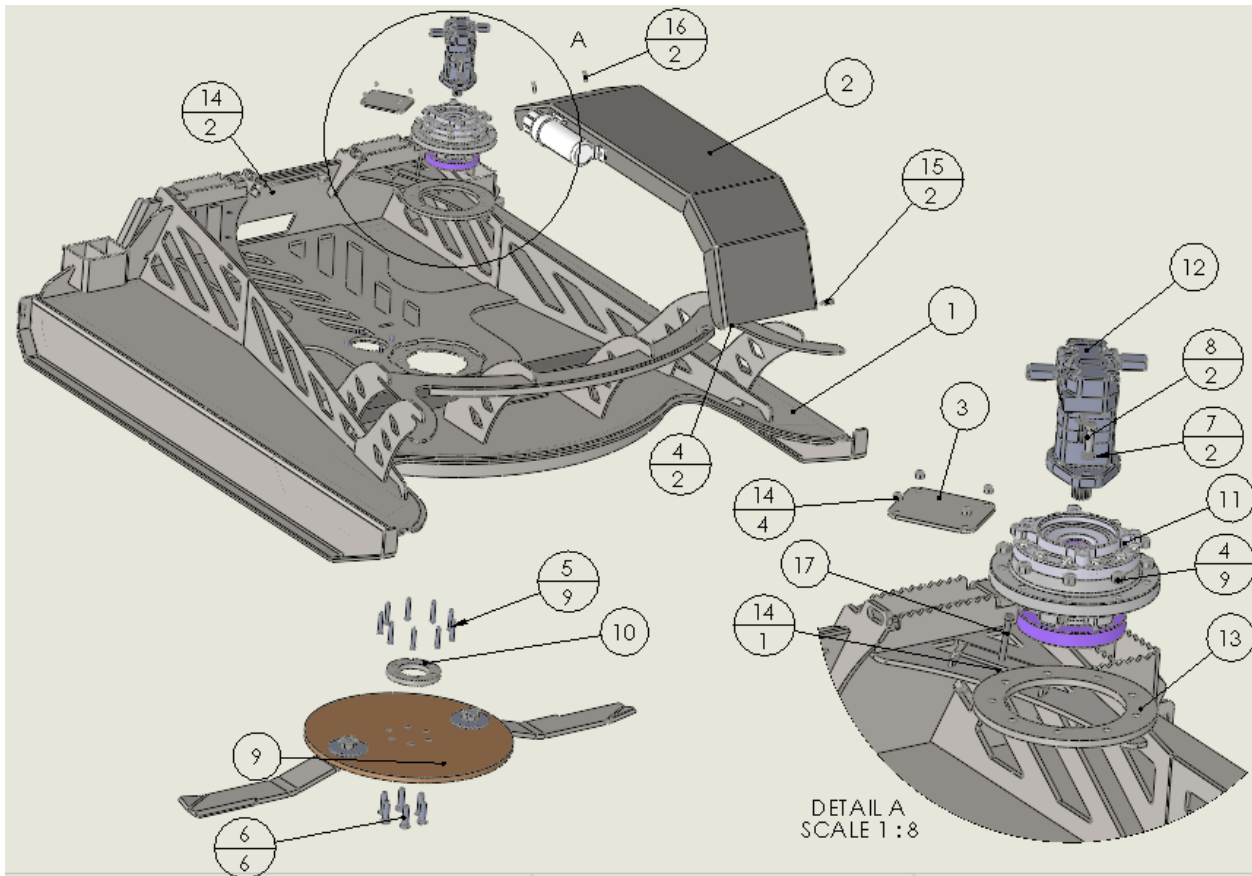
# 33252 – 72” Brush Mower – Direct Drive – Standard Flow



ITEM NO.	PART NUMBER	DESCRIPTION	QTY.
1	33252A	72" Open Front Universal Brush Mower	1
2	33058E	72" Brush Mower Motor Cover Assembly	1
3	33058A-25	Brush Mower Stump Jumper Access Cover	1
4	90640A133	1/2-13 Nylon Lock Nut	11
5	91257A723	1/2-13 x 2.75" Hex Bolt	9
6	92620A874	3/4-16 x 2.5" Grade 8 Hex Bolt	6
7	91102A770	1/2 Lock Washer	2
8	92865A718	1/2-13 x 1.75" Hex Bolt	2
9	33151	72" Direct Drive Brush Mower Stump Jumper Assembly	1
10	33058A-27	Brush Mower Stump Jumper Spacer	1
11	50-006-7244 Rev A	Direct Drive Bearing Carrier	1
12	104-3945-006-3dmodel	Direct Drive Pump	1
13	33058A-26	Direct Drive Motor Insert	1
14	90640A131	3/8-16 Nylon Lock Nut	7
15	92865A716	1/2-13 x 1.5" Hex Bolt	2
16	92865A626	3/8-16 x 1.25" Hex Bolt	2
17	91247A640	3/8-16 x4" Hex Bolt	1



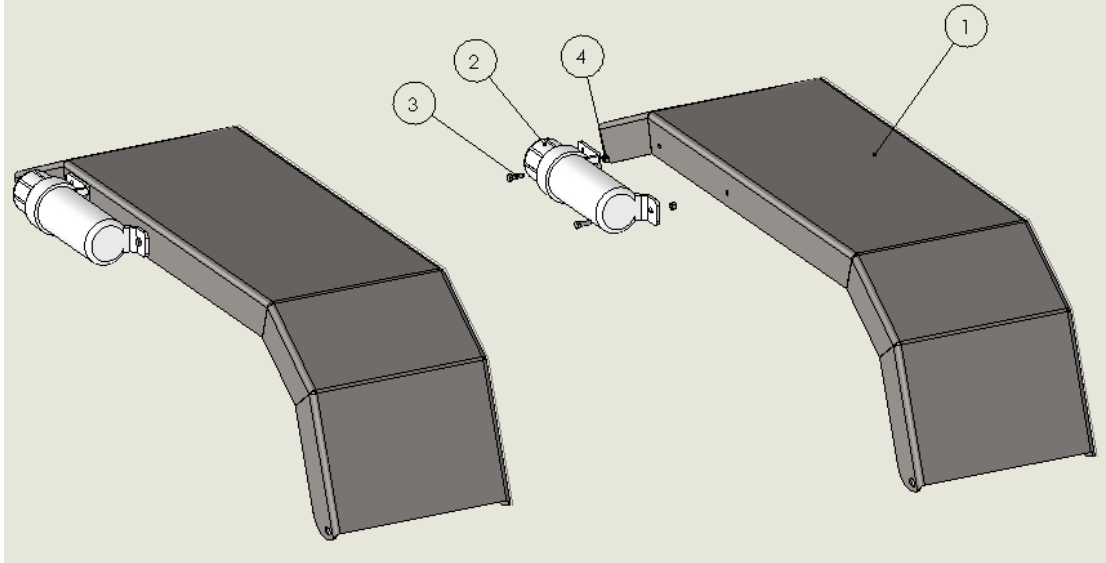
# 33260 – 72” Brush Mower – Direct Drive – High Flow



ITEM NO.	PART NUMBER	DESCRIPTION	QTY.
1	33252A	72" Open Front Universal Brush Mower	1
2	33058E	72" Brush Mower Motor Cover Assembly	1
3	33058A-25	Brush Mower Stump Jumper Access Cover	1
4	90640A133	1/2-13 Nylon Lock Nut	11
5	91 257A723	1/2-13 x 2.75" Hex Bolt	9
6	92620A874	3/4-1 6 x 2.5" Grade 8 Hex Bolt	6
7	91 102A770	1/2 Lock Washer	2
8	92865A718	1/2-13 x 1.75" Hex Bolt	2
9	33151	72" Direct Drive Brush Mower Stump Jumper Assembly	1
10	33058A-27	Brush Mower Stump Jumper Spacer	1
11	50-006-7244 Rev A	Direct Drive Bearing Carrier	1
12	11 2-1475-006	Direct Drive Pump High Flow	1
13	33058A-26	Direct Drive Motor Insert	1
14	90640A131	3/8-16 Nylon Lock Nut	7
15	92865A716	1/2-13 x 1.5" Hex Bolt	2
16	92865A626	3/8-16 x 1.25" Hex Bolt	2
17	91 247A640	3/8-16 x4" Hex Bolt	1

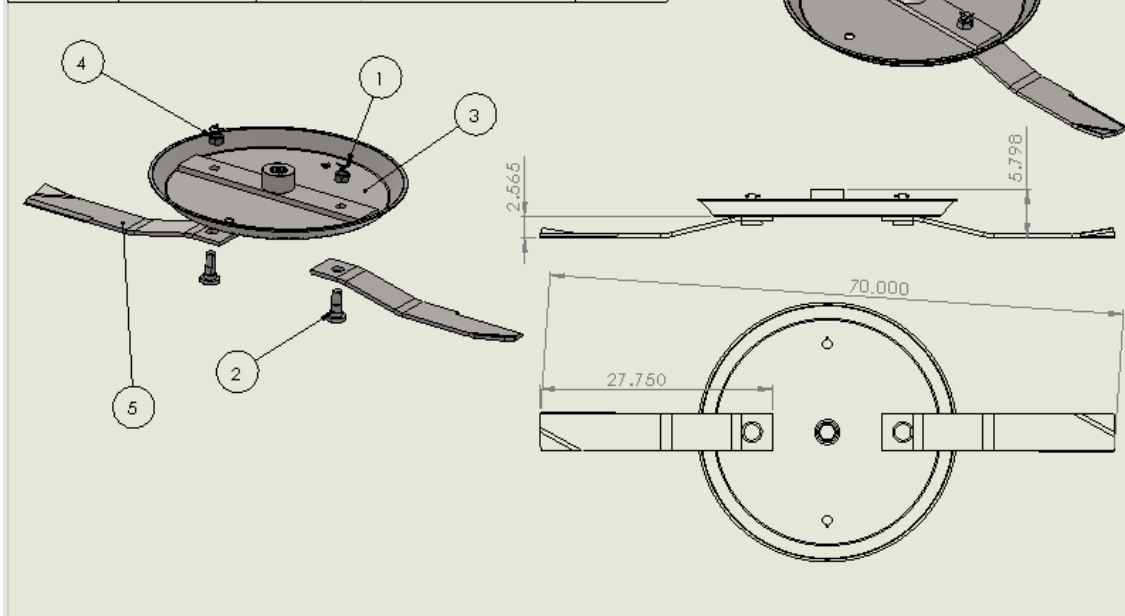
## 33058E – 72” Brush Mower – Cover

ITEM NO.	PART NUMBER	DESCRIPTION	QTY.
1	33058E-01	72" Brush Mower Motor Guard	1
2	67670	Manual Storage Container	1
3	92865A583	5/16-18 x 1" Hex Bolt	2
4	95615A160	5/16-18 Nylon Lock Nut	2



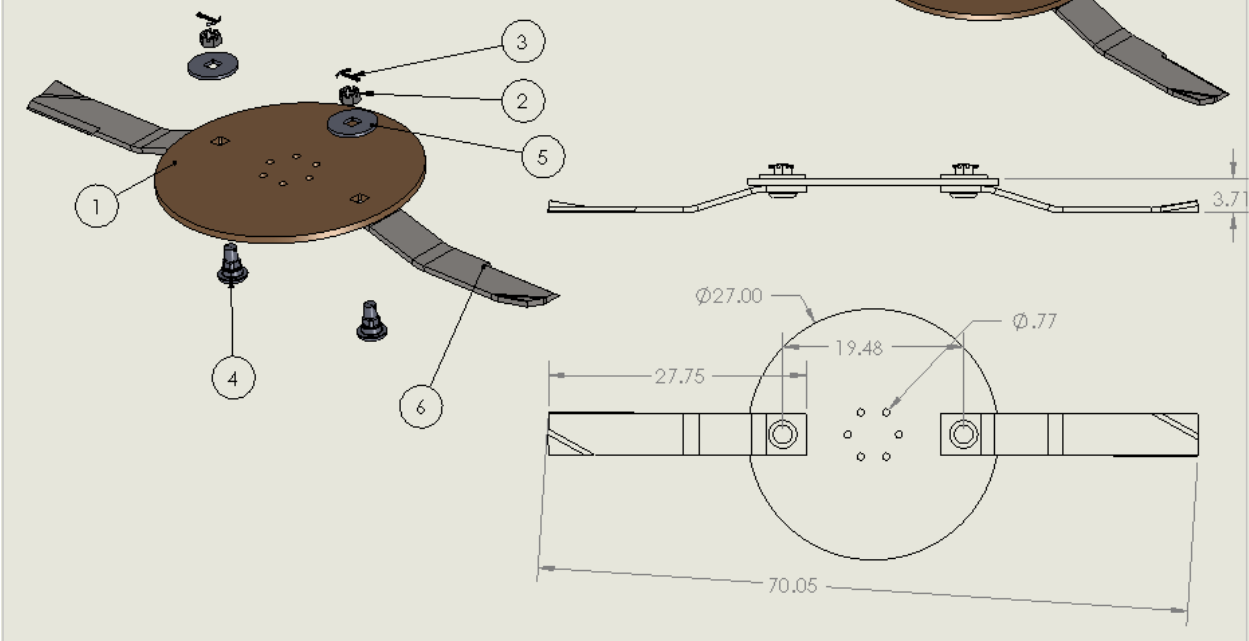
## 33138 – 72” Brush Mower Gear Box Stump Jumper Assm.

ITEM NO.	PART NUMBER	DESCRIPTION	QTY.
1	9B338A492	5/32" x 1.25" Cotter Key	2
2	BB-10	1-1/8 - 12 D Bolt	2
3	BC-5	Gear Box Stump Jumper	1
4	HNGRC11312	1.125-7 Top Lock Nut	2
5	LM-7556	1/2 x 4 x 27.75	2

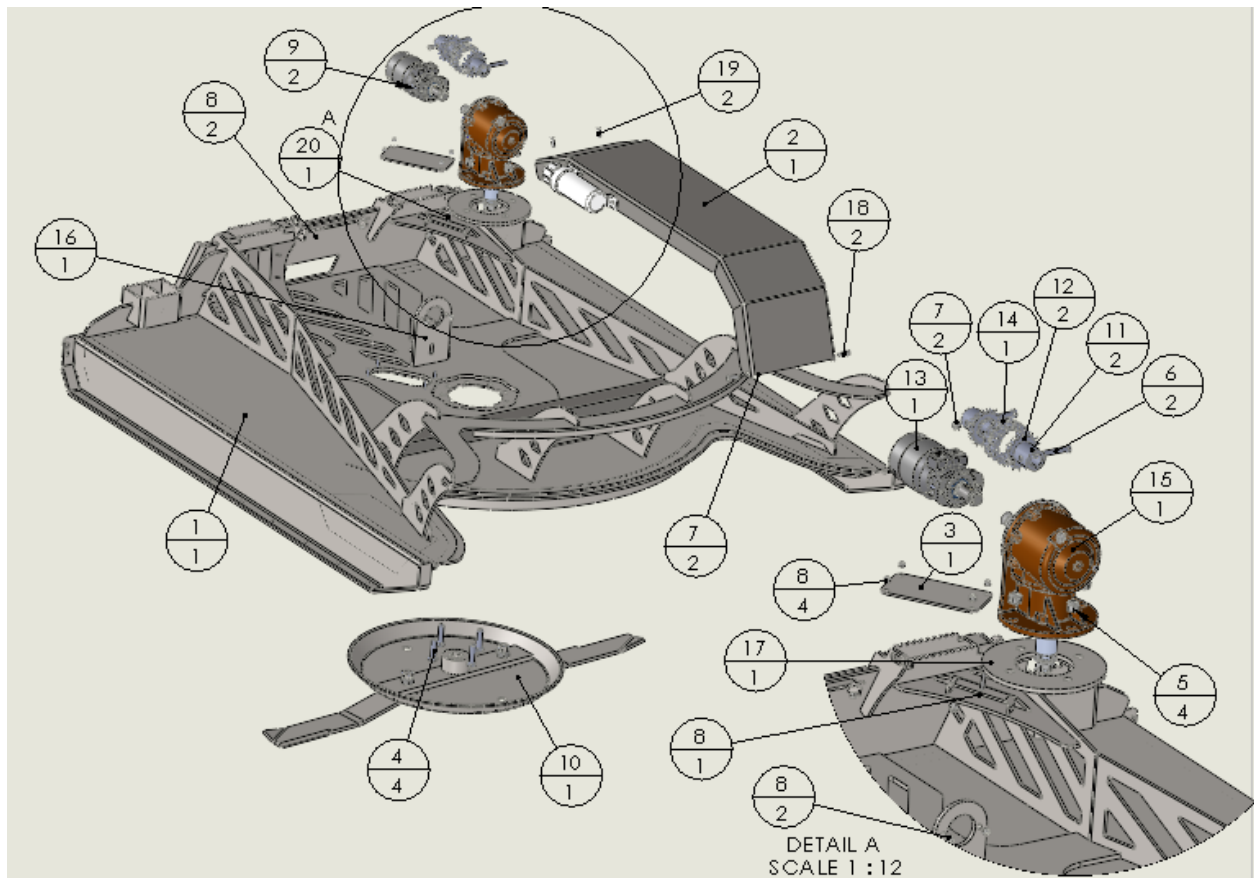


# 33151 – 72” Brush Mower Direct Drive Stump Jumper Assm.

ITEM NO.	PART NUMBER	DESCRIPTION	QTY.
1	33151-1	BLADE CARRIER PLATE	1
2	95030A360	1.25-7 Castle Nut	2
3	98355A320	0.750" Cotter Key	2
4	BB-100A	Straight Blade Bolt	2
5	BB-100A-Spacer	BB-100A Nut Spacer	2
6	LM-7278	5/8 x 5 x 27.75	2

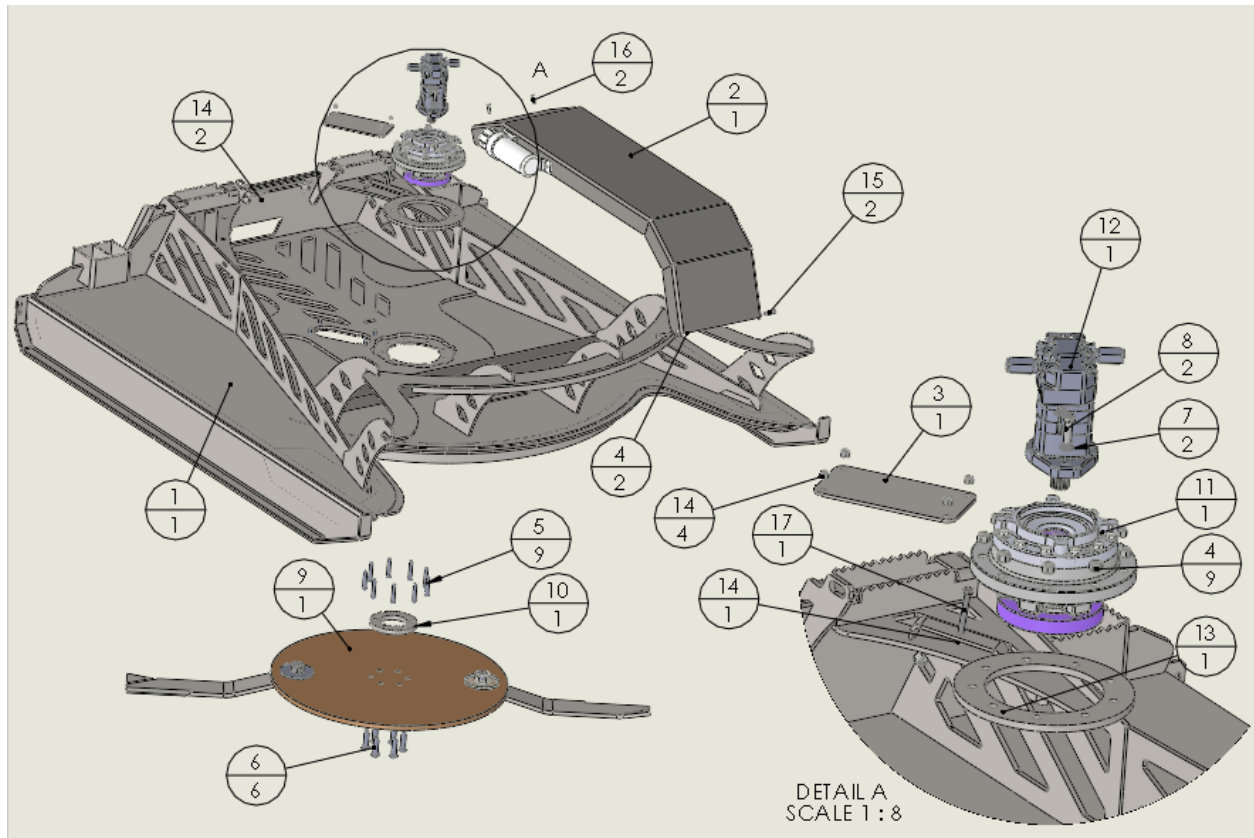


# 33259 – 78” Brush Mower – Gear Box – Standard Flow



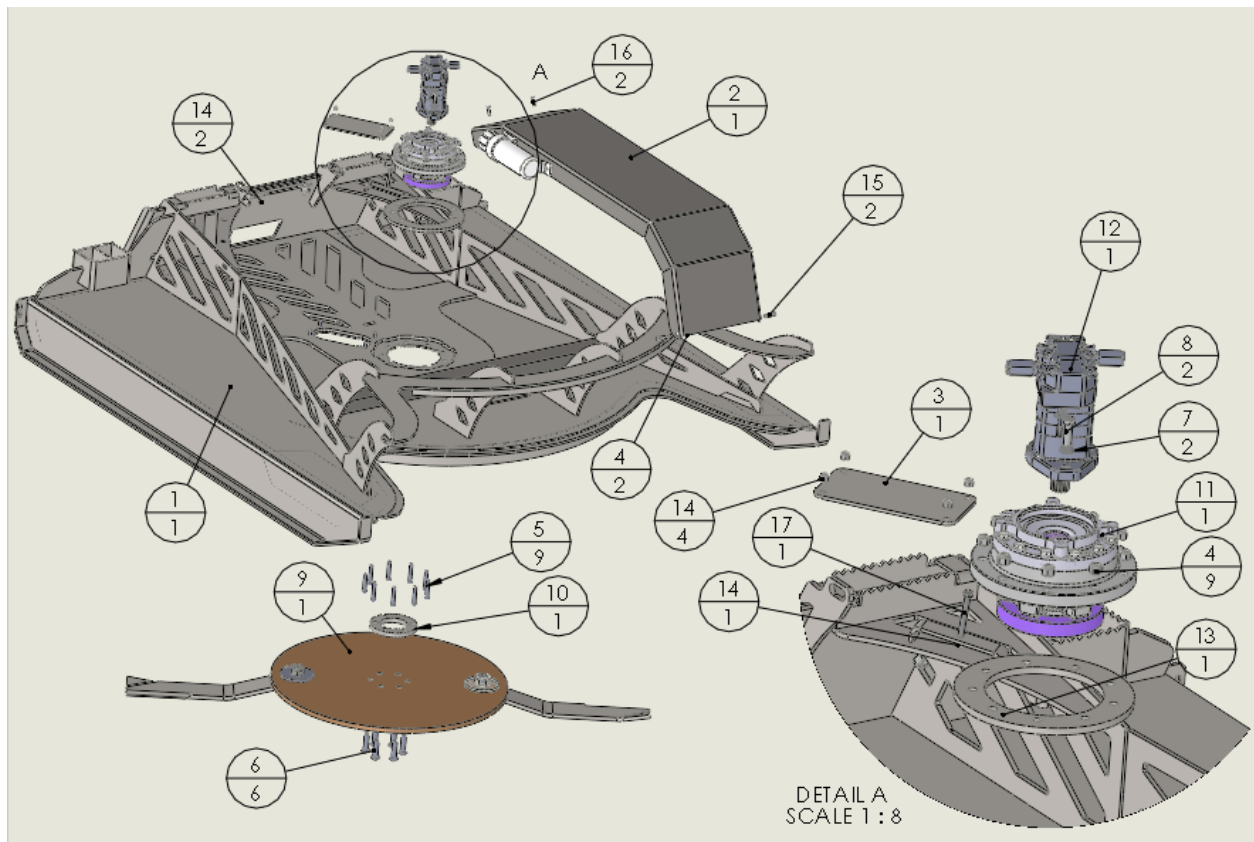
ITEM NO.	PART NUMBER	DESCRIPTION	QTY.
1	33255A	78" Open Front Universal Brush Mower	1
2	33255B	78" Brush Mower Motor Cover Assembly	1
3	33255A-14	Brush Mower Stump Jumper Access Cover	1
4	91257A844	3/4-10 x 2.75" Long Grade 8 Hex Bolt	4
5	95615A270	3/4-10 Nylon Lock Nut	4
6	91257A723	1/2-13 x 2.75" Hex Bolt	2
7	90640A133	1/2-13 Nylon Lock Nut	4
8	90640A131	3/8-16 Nylon Lock Nut	9
9	91257A630	3/8-16 x 1.75" Hex Bolt	2
10	33138	72" Gear Box Brush Mower Stump Jumper Assembly	1
11	B153X001	Coupler Bushing	2
12	20006018	Coupler Sprocket	2
13	TF0140AS03TBBFY-CUSTOMER	Gear Box Motor	1
14	D6018-SAPPHIRE	Coupler Chain	1
15	RC-61 250373	Gear Box	1
16	33088B	Gear Box Brush Mower Motor Mount	1
17	33088A	Gear Box Brush Mower Adapter	1
18	92865A716	1/2-13 x 1.5" Hex Bolt	2
19	92865A626	3/8-16 x 1.25" Hex Bolt	2
20	91247A640	3/8-16 x 4" Hex Bolt	1

# 33255 – 78” Brush Mower – Direct Drive – Standard Flow



ITEM NO.	PART NUMBER	DESCRIPTION	QTY.
1	33255A	78" Open Front Universal Brush Mower	1
2	33255B	78" Brush Mower Motor Cover Assembly	1
3	33255A-14	Brush Mower Stump Jumper Access Cover	1
4	90640A133	1/2-13 Nylon Lock Nut	11
5	91257A723	1/2-13 x 2.75" Hex Bolt	9
6	92620A874	3/4-16 x 2.5" Grade 8 Hex Bolt	6
7	91102A770	1/2 Lock Washer	2
8	92865A718	1/2-13 x 1.75" Hex Bolt	2
9	33152	78" Direct Drive Brush Mower Stump Jumper Assem	1
10	33058A-27	Brush Mower Stump Jumper Spacer	1
11	50-006-7244 Rev A	Direct Drive Bearing Carrier	1
12	104-3945-006-3dmodel	Direct Drive Pump	1
13	33058A-26	Direct Drive Motor Insert	1
14	90640A131	3/8-16 Nylon Lock Nut	7
15	92865A716	1/2-13 x 1.5" Hex Bolt	2
16	92865A626	3/8-16 x 1.25" Hex Bolt	2
17	91247A640	3/8-16 x4" Hex Bolt	1

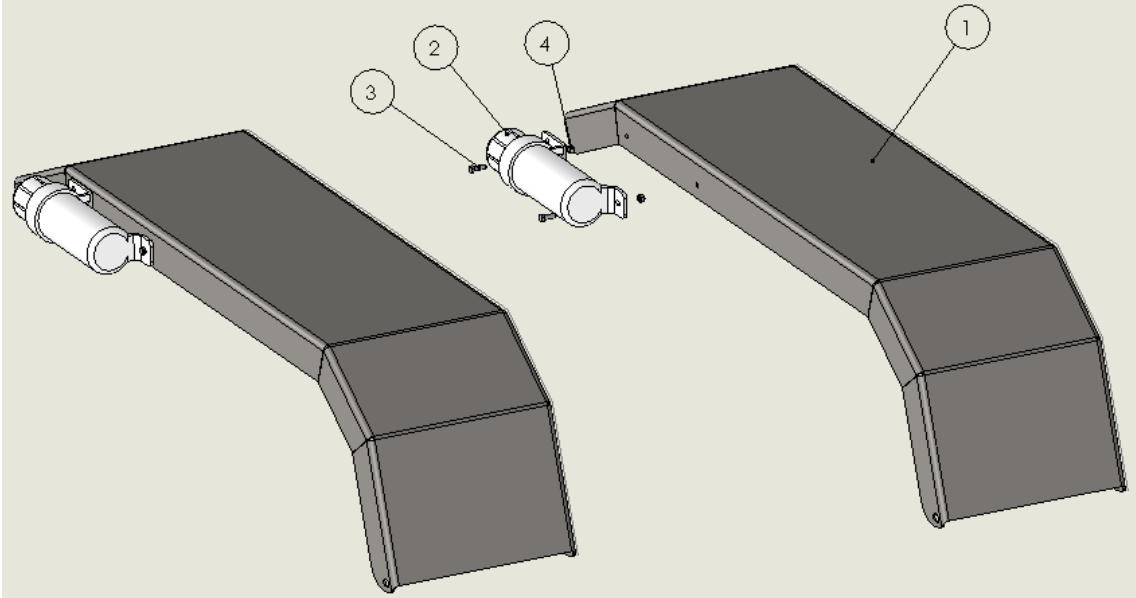
# 33263 – 78” Brush Mower – Direct Drive – High Flow



ITEM NO.	PART NUMBER	DESCRIPTION	QTY.
1	33255A	78" Open Front Universal Brush Mower	1
2	33255B	78" Brush Mower Motor Cover Assembly	1
3	33255A-14	Brush Mower Stump Jumper Access Cover	1
4	90640A133	1/2-13 Nylon Lock Nut	11
5	91257A723	1/2-13 x 2.75" Hex Bolt	9
6	92620A874	3/4-16 x 2.5" Grade 8 Hex Bolt	6
7	91102A770	1/2 Lock Washer	2
8	92865A718	1/2-13 x 1.75" Hex Bolt	2
9	33152	78" Direct Drive Brush Mower Stump Jumper Assem	1
10	33058A-27	Brush Mower Stump Jumper Spacer	1
11	50-006-7244 Rev A	Direct Drive Bearing Carrier	1
12	104-3945-006-3dmodel	Direct Drive Pump	1
13	33058A-26	Direct Drive Motor Insert	1
14	90640A131	3/8-16 Nylon Lock Nut	7
15	92865A716	1/2-13 x 1.5" Hex Bolt	2
16	92865A626	3/8-16 x 1.25" Hex Bolt	2
17	91247A640	3/8-16 x4" Hex Bolt	1

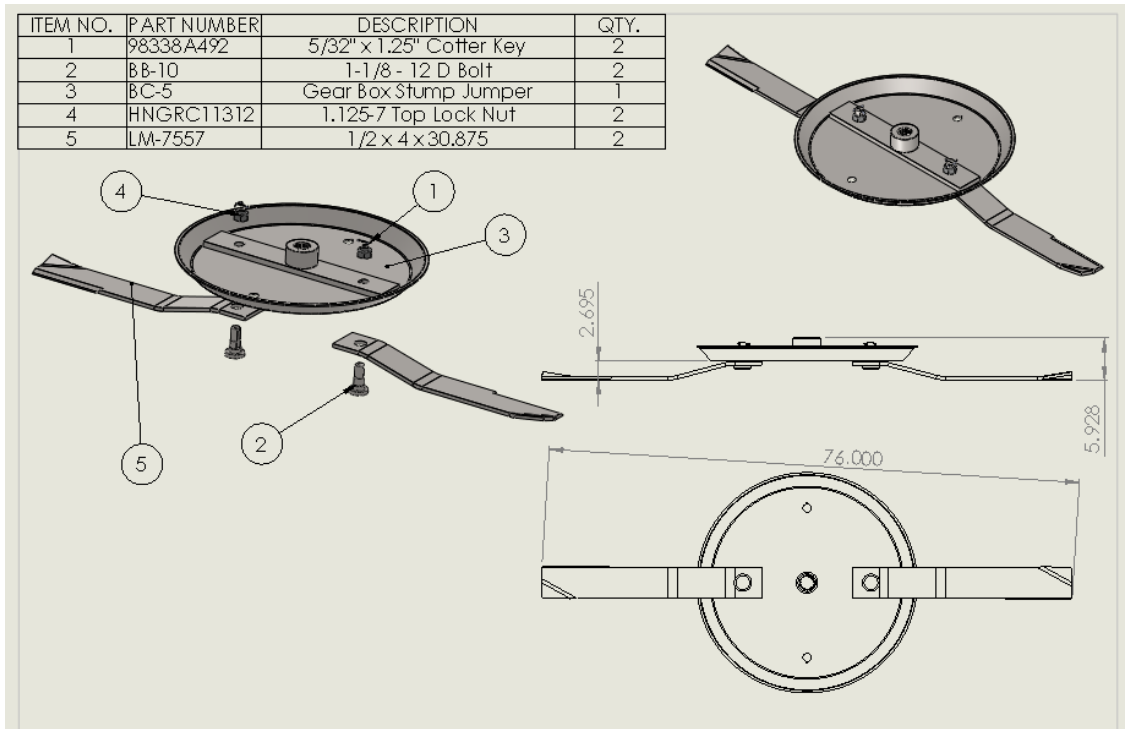
## 33055B – 78” Brush Mower – Cover

ITEM NO.	PART NUMBER	DESCRIPTION	QTY.
1	33255B-01	78" Brush Mower Motor Guard	1
2	67670	Manual Storage Container	1
3	92865A583	5/16-18 x 1" Hex Bolt	2
4	95615A160	5/16-18 Nylon Lock Nut	2



## 33133 – 78” Brush Mower Gear Box Stump Jumper Assm.

ITEM NO.	PART NUMBER	DESCRIPTION	QTY.
1	98338A492	5/32" x 1.25" Cotter Key	2
2	BB-10	1-1/8 - 12 D Bolt	2
3	BC-5	Gear Box Stump Jumper	1
4	HNGRC11312	1.125-7 Top Lock Nut	2
5	LM-7557	1/2 x 4 x 30.875	2



# 33152 – 78” Brush Mower Direct Drive Stump Jumper Assm.

ITEM NO.	PART NUMBER	DESCRIPTION	QTY.
1	33152-1	BLADE CARRIER PLATE	1
2	95030A360	1-1/4-12 castle nut	2
3	98355A320	1/4" x 3" Stainless Cotter pin	2
4	BB-100A	2" Blade Bolt	2
5	BB-100A-Spacer	2" Blade Bolt Spacer	2
6	LM-7278	5/8 X 5 BLADE	2

