

Cabinet accessories – Socket strips

SCHUKO socket strip



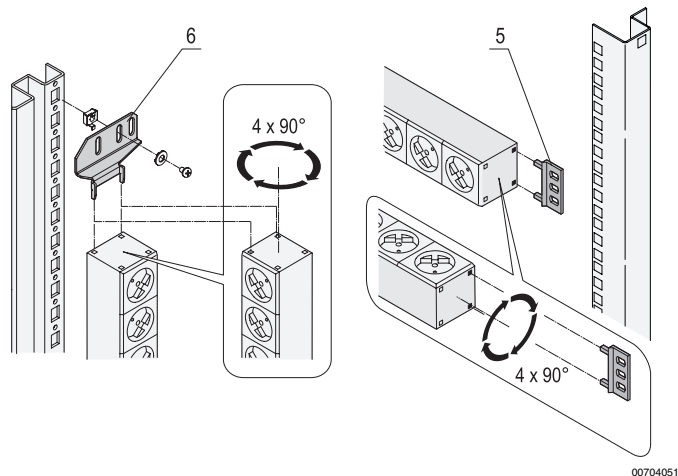
00705001 DTA44115

- Socket strips with SCHUKO inserts, either with switch or functional elements
- Mounting height 1 U
- Connecting cable, 2 m, with SCHUKO/UTE connector
- For installation, socket strips can be rotated in all directions (in 90° increments)
- Horizontal and vertical assembly possible
- 230 V, 16 A
- In accordance with DIN 41494, DIN 57620, VDE 0620



Delivery comprises (assembled)

Item	Qty	Description
1	1	Al extrusion, 1 U, anodised, for socket inserts and functional elements
2		SCHUKO socket inserts (35° rotated, PA, RAL 7035), illuminated switch and functional elements, type and number, see Order information
3	2	End piece, PA, RAL 7035
4	1	Connecting cable, black, 2 m, 05VV-F 3G 1.5 mm ² , with SCHUKO/UTE connector, PVC, encapsulated
5	2	Mounting bracket, PA, RAL 7035 (only with 10", 19" version)



Order Information

Description	Socket inserts	Length Inch	Length mm	Depth mm	Switch	Functional element	Order no.
SCHUKO	3	–	184	44	–	–	60110-200
	4	10"	210	44	–	–	60110-201
	9	19"	438.5	44	–	–	60110-202
	12	–	947.5	44	–	–	60110-203
	15	–	1202	44	–	–	60110-204
	19	–	1753	44	–	–	60110-205
SCHUKO with switch	8	19"	438.5	44	X	–	60110-206
	12	–	947.5	44	X	–	60110-207
	15	–	1202	44	X	–	60110-208
	19	–	1753	44	X	–	60110-209
SCHUKO with functional elements	6	19"	438.5	88	–	Fault current protection	60110-216
	6	19"	438.5	75	–	Overcurrent protection	60110-212
	6	19"	438.5	88	–	Fault current protection, overcurrent protection	60110-217
	6	19"	438.5	44	–	Transient protection, mains suppression filter	60110-266
	7	19"	438.5	44	–	Mains suppression filter	60110-214
	8	19"	438.5	44	–	Transient protection	60110-210
	9	–	947.5	44	–	Transient protection	60110-211
	9	–	947.5	75	–	Overcurrent protection	60110-213
	9	–	438.5	44	–	Mains suppression filter	60110-215
Item 6 Mounting bracket for vertical assembly of socket strips, St, 2 mm, PU 2 pieces							20110-068

Note

- Please order Mounting bracket for vertical assembly separately
- Individual configuration on the Internet (www.schroff.biz/conf)



Cabinet accessories – Socket strips

SCHUKO socket strip, Master-Slave



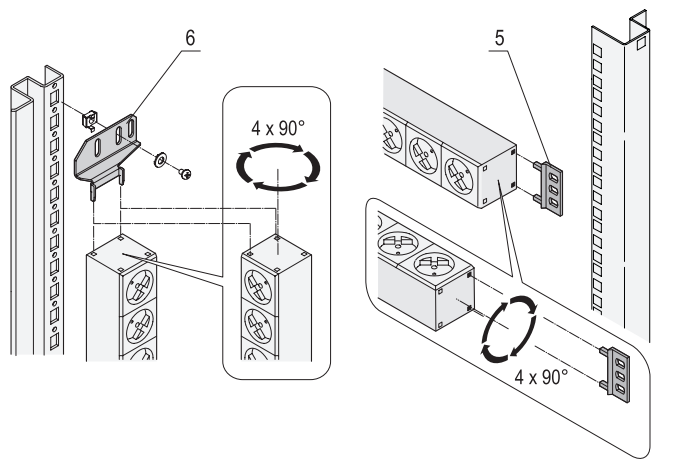
00704007 DTA44115

- During the "switch-on" of the master unit the slave outputs are connected in sequential order to the mains supply (delay is adjustable)
- Mounting height 1 U
- Connecting cable, 2 m, with SCHUKO/UTE connector
- For installation, socket strips can be rotated in all directions (in 90° increments)
- Horizontal and vertical assembly possible
- 230 V, 16 A
- In accordance with DIN 41494, DIN 57620, VDE 0620



Delivery comprises (assembled)

Item	Qty	Description
1	1	Al extrusion, 1 U, anodised, for socket inserts
2	6	SCHUKO socket inserts (35° rotated, PA, RAL 7035)
3	2	End piece, PA, RAL 7035
4	1	Connecting cable, black, 2 m, 05VV-F 3G 1.5 mm ² , with SCHUKO/UTE connector, PVC, encapsulated
5	2	Mounting bracket, PA, RAL 7035



00704051

Order Information

Socket inserts	Length Inch	Length mm	Depth mm	Order no.
6	19"	438.5	44	60110-218
Item 6	Mounting bracket for vertical assembly of socket strips, St, 2 mm, PU 2 pieces			20110-068

Note

- Please order mounting bracket for vertical assembly separately
- Individual configuration on the Internet (www.schroff.biz/conf)



For further information www.schroff.biz/oneclick
oneClick code = Order no.

Cabinet accessories – Socket strips

SCHUKO socket strip, 3 circuits



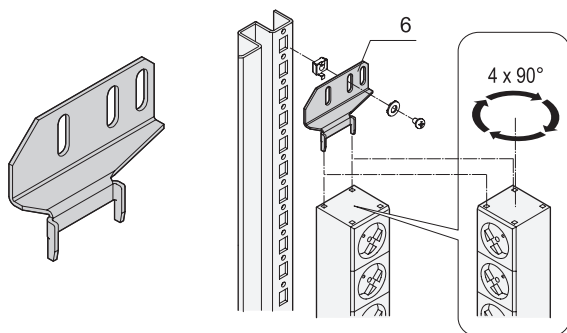
00704008 DTA44115

- 3 phases with 230 V, 16 A per phase
- Mounting height 1 U
- Connecting cable, 2 m, open end with ferrule
- For installation, socket strips can be rotated in all directions (in 90° increments)
- Vertical assembly
- In accordance with DIN 41494, DIN 57620, VDE 0620



Delivery comprises (assembled)

Item	Qty	Description
1	1	Al extrusion, 1 U, anodised, for socket inserts
2	9	SCHUKO socket inserts (35° rotated, PA, RAL 7035), 3 phases x 3 inserts, different colours
3	2	End piece, PA, RAL 7035
4	1	Connecting cable, black, 2 m, 05VV-F 5G 2.5 mm ² , open end with ferrule



00502502

Order Information

Socket inserts	Height U	Length mm	Depth mm	Order no.
9	1	608.5	44	60110-219
Item 6 Mounting bracket for vertical assembly of socket strips, St, 2 mm, PU 2 pieces				20110-068

Note

- Please order mounting bracket for vertical assembly separately
- Individual configuration on the Internet (www.schroff.biz/conf)



For further information www.schroff.biz/oneclick
oneClick code = Order no.

Cabinet accessories – Socket strips

SCHUKO socket strip, Wieland



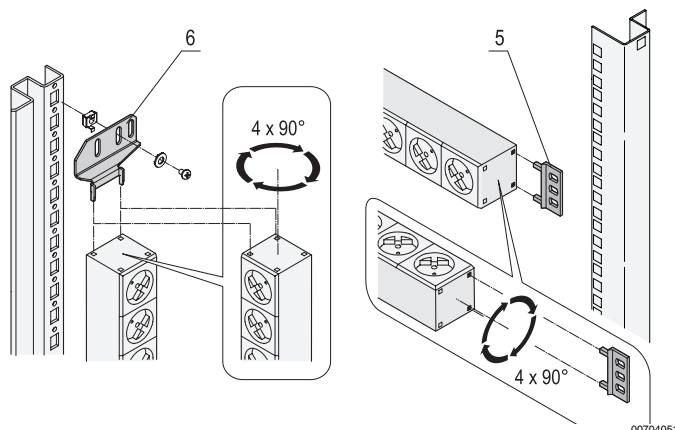
00505024 DT444115

- Disconnection of socket strip and equipment cable, thereby different mains supply possibilities and use of different cable lengths
- Slot extension by cascading
- Mounting height 1 U
- For installation, socket strips can be rotated in all directions (in 90° increments)
- Horizontal and vertical assembly possible
- 230 V, 16 A
- In accordance with DIN 41494, DIN 57620, VDE 0620



Delivery comprises (assembled)

Item	Qty	Description
1	1	Al extrusion, 1 U, anodised, for socket inserts and functional elements
2		SCHUKO socket inserts (35° rotated, PA, RAL 7035), illuminated switch and functional elements, type and number, see Order information
3	2	End piece, PA, RAL 7035
4	2	Connection with Wieland, 1 x 3-pin female connector, 1 x 3-pin connector, on rear side
5	2	Mounting bracket, PA, RAL 7035



00704051



00704009

Order Information

Description	Socket inserts	Length Inch	Length mm	Depth mm	Switch	Functional element	Order no.
SCHUKO, Wieland	7	19"	438.5	44	–	–	60110-248
SCHUKO, Wieland, with switch	6	19"	438.5	44	X	–	60110-249
SCHUKO, Wieland, with functional element	4	19"	438.5	44	–	Transient protection	60110-250
Item 6 Mounting bracket for vertical assembly of socket strips, St, 2 mm, PU 2 pieces							20110-068
Equipment cable, SCHUKO/UTE connector - Wieland female connector 2 m, 1 piece							60118-320
Equipment cable, SCHUKO/UTE connector - Wieland female connector 5 m, 1 piece							60118-369
Equipment cable, BS connector - Wieland female connector 2 m, 1 piece							60118-447
Cascading cable Wieland connector - Wieland female connector 2 m, 1 piece							60118-277
Equipment cable IEC 320 connector - Wieland female connector, 2 m, 1 piece							60118-333
Wieland connector with screw connection, 1 piece							60118-280
Wieland female connector with screw connection, 1 piece							60118-284

Note

- Please order mounting bracket for vertical assembly separately
- Individual configuration on the Internet (www.schroff.biz/conf)



Cabinet accessories – Socket strips

UTE socket strip



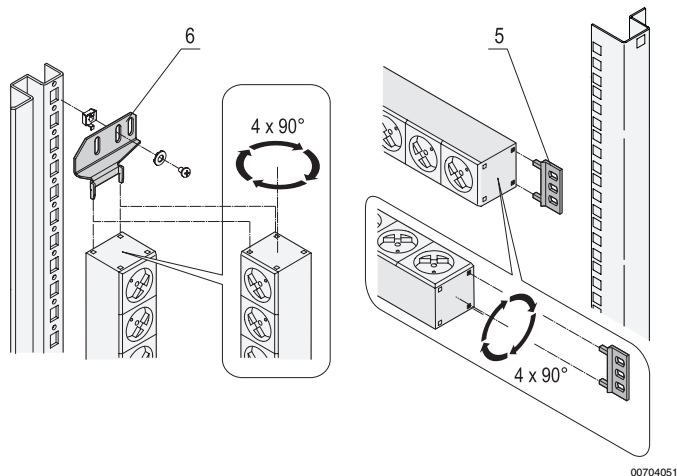
00705002 DTA44116

- Socket strip with SCHUKO socket inserts, either with switch or functional elements
- Mounting height 1 U
- Connecting cable, 2 m with SCHUKO/UTE connector
- For installation, socket strips can be rotated in all directions (in 90° increments)
- Horizontal and vertical assembly possible
- 230 V, 16 A
- In accordance with NFC 61-303



Delivery comprises (assembled)

Item	Qty	Description
1	1	Al extrusion, 1 U, anodised, for socket inserts and functional elements
2		UTE socket inserts (35° rotated, PA, RAL 7035), illuminated switch and functional elements, type and number, see Order information
3	2	End piece, PA, RAL 7035
4	1	Connecting cable, black, 2 m, 05VV-F 3G 1.5 mm ² , with SCHUKO/UTE connector, PVC, encapsulated
5	2	Mounting bracket, PA, RAL 7035 (only with 10", 19" version)



00704051

Order Information

Description	Socket inserts	Length Inch	Length mm	Depth mm	Switch	Functional element	Order no.
Socket strip 10", 4 UTE socket inserts	4	10"	210	44	–	–	60110-220
	9	19"	438.5	44	–	–	60110-221
	12	–	947.5	44	–	–	60110-222
	15	–	1202	44	–	–	60110-223
	19	–	1753	44	–	–	60110-224
UTE with switch	8	19"	438.5	44	X	–	60110-225
	12	–	947.5	44	X	–	60110-226
UTE with functional element	6	19"	438.5	88	–	Fault current protection	60110-230
	6	19"	438.5	75	–	Overcurrent protection	60110-228
	6	19"	43.5	88	–	Fault current protection, overcurrent protection	60110-231
	7	19"	43.5	44	–	Mains/line suppression filter	60110-229
	8	19"	438.5	44	–	Transient protection	60110-227
6	19"	438.5	44	–	Transient protection, mains/line suppression filter	60110-267	
Item 6 Mounting bracket for vertical assembly of socket strips, St, 2 mm, PU 2 pieces							20110-068

Note

- Please order mounting bracket for vertical assembly separately
- Individual configuration on the Internet (www.schroff.biz/conf)



For further information www.schroff.biz/oneclick
oneClick code = Order no.

