

Overview ..... 0

Cabinets ..... 1

Wall mounted cases ..... 2

Accessories for cabinets and wall mounted cases .... 3

Climate control .... 4

Desk-top cases .... 5

Subracks/  
19" chassis ..... 6

Front panels,  
plug-in units ..... 7

Systems ..... 8

Power supply  
units ..... 9

Backplanes ..... 10

Connectors, front  
panel component  
system ..... 11

Appendix ..... 12

## Wall mounted cases

### For robust industrial environment up to IP 66



**tecnopac**

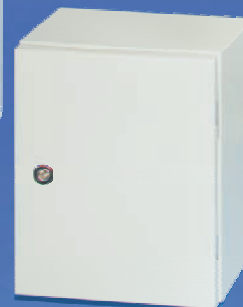
19" steel case with hinged case body  
IP 20 or IP 55



### CONCEPTLINE

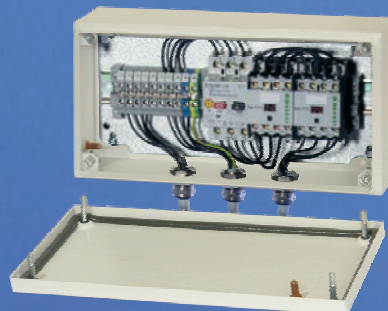
Case with gland plate,  
internal assembly with mounting plate  
or 19" mounting  
Steel, IP 66

**NEW**



### INLINE

Terminal housing or installation case  
Steel, IP 66

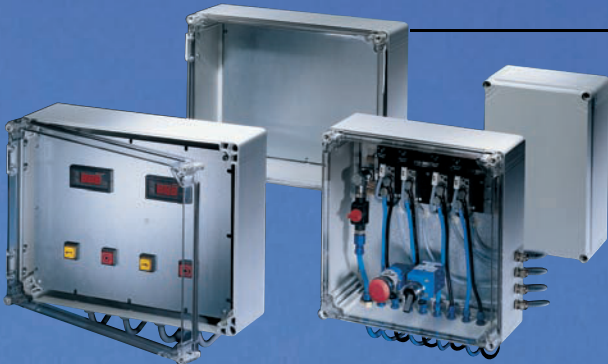


**NEW**

36108001, 02504001, 41107005, 40796001, 41402001, 40707004, 40707005



# Wall mounted cases

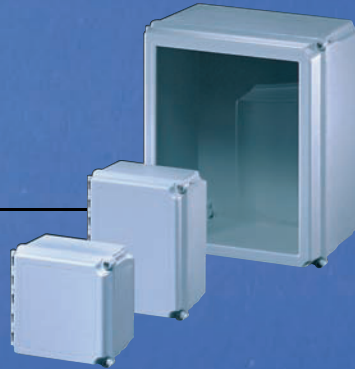


## QLINE

Robust small cases for industrial applications  
 Made of impact resistant Polycarbonate  
 IP 66 and IP 67  
 Designed for external applications

## A48

Case for highly corrosive environments  
 fibreglass reinforced polyester  
 IP 66  
 Designed for external applications



# For datacom and cabling applications up to IP 20

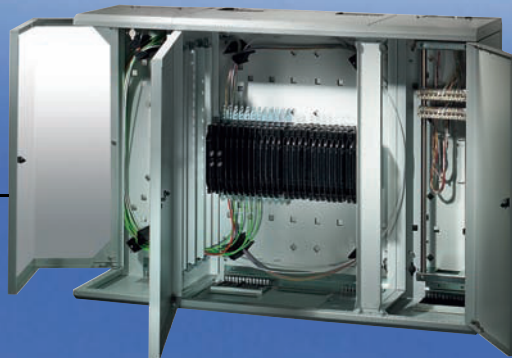


## epcase

10" case, 19" case  
 with hinged side panels  
 Steel, IP 20

## LAN wall mounted enclosure

Steel case  
 Ideal for fibre optic applications or as  
 copper small distributor, retrofittable  
 with side-by-side modules, IP 20



Overview . . . . 2.0

For robust industrial environment up to IP 66

tecnopac . . . . 2.2

CONCEPTLINE . 2.12

INLINE . . . . . 2.18

QLINE . . . . . 2.24

A48 . . . . . 2.30

For datacom and cabling applications up to IP 20

epcase . . . . . 2.34

LAN wall mounted . . . . 2.46

Cabinet accessories . . 3.0



Overview ..... 0

Cabinets ..... 1

Wall mounted cases ..... 2

Accessories for cabinets and wall mounted cases .... 3

Climate control .... 4

Desk-top cases .... 5

Subracks/  
19" chassis ..... 6

Front panels,  
plug-in units ..... 7

Systems ..... 8

Power supply  
units ..... 9

Backplanes ..... 10

Connectors, front  
panel component  
system ..... 11

Appendix ..... 12

## Wall mounted cases - *tecnopac*



02504001



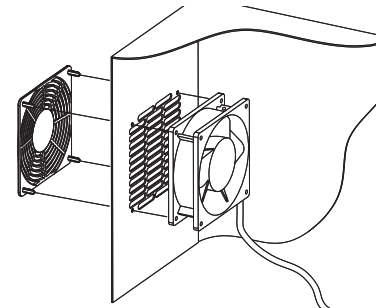
02504005

Robust locking of the hinged case



02504004

Assembly of the 19" plane in basic as well as hinged case possible

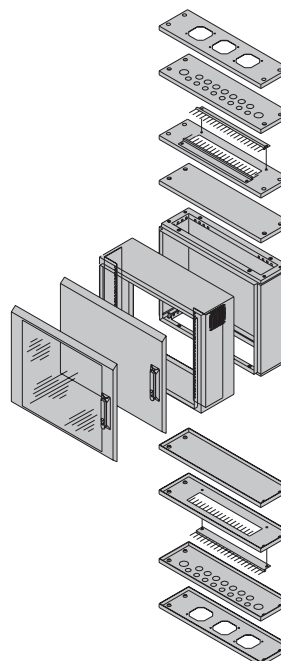


01604050

Mounting of the fan by snap-together

### Standards/certifications

- Internal dimensions according to IEC 60297-3-100
- Type of protection up to IP 55, IEC 60529



02504005



Downloads and further important information can be found on the Internet under [www.schroff.biz](http://www.schroff.biz)



## Wall mounted cases - *tecnopac*

Overview . . . . 2.2

### Threepart, hinged wall-mounted case

- Type of protection up to IP 55
- Assembly of 19" planes (7 ... 25 U) possible in basic and hinged case
- Static load-carrying capacity max. 50 kg



02504002

#### tecnopac IP 20 with glazed door

- Prepared for fan assembly
- Brush strip and cable support rail pre-assembled



02505002

#### tecnopac IP 55 with glazed door

- Cover plate to accommodate cable attachment
- Cable support rail pre-assembled



02505001

#### tecnopac IP 55 with steel door

- Cover plate to accommodate cable attachment
- Cable support rail pre-assembled



30407004

#### ServicePLUS from page 2.36

- e.g. special colours, special sizes
- e.g. air conditioning
- e.g. fittings, conversions, cut-outs
- e.g. custom solutions

[www.schroff.biz/ServicePLUS](http://www.schroff.biz/ServicePLUS)

#### tecnopac

IP 20 with glazed door . . . . .	2.4
IP 55 with glazed door . . . . .	2.5
IP 55 with steel door . . . . .	2.6

#### Accessories

Cover plates . . . . .	2.7
19" panel/slide mounts . . . . .	2.8
Mounting plates . . . . .	2.8
19" equipment support . . . . .	2.9
C-rails . . . . .	2.10
Cable eyes . . . . .	2.11

ServicePLUS . 2.36



## Wall mounted cases - *tecnopac*

### tecnopac IP 20 with glazed door

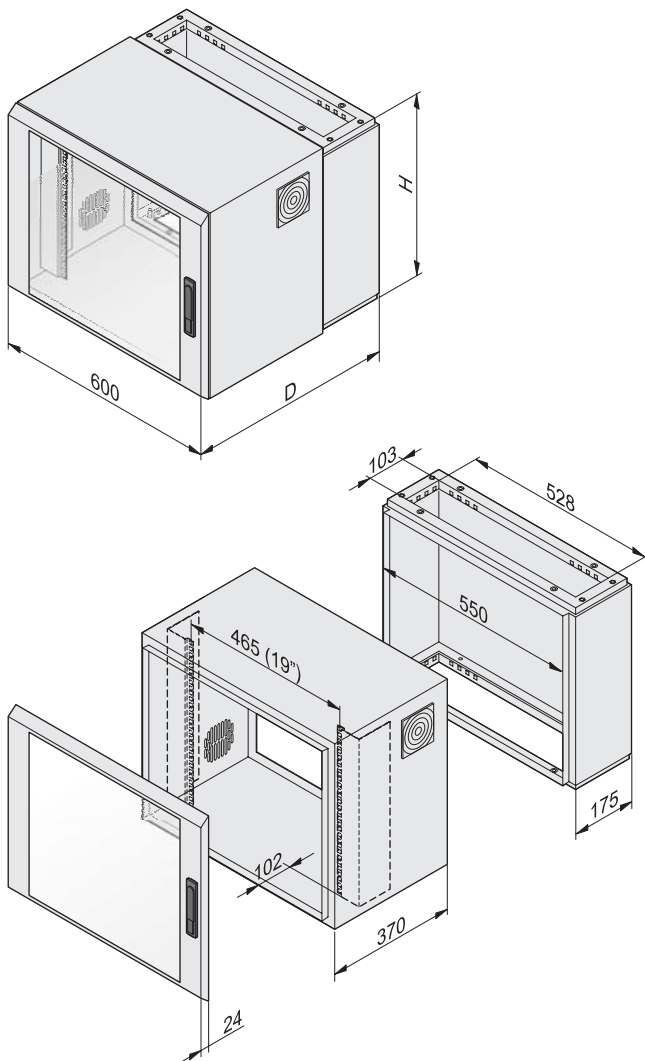


02504002

- Hinged case for easy access behind the 19" plane
- Static load-carrying capacity 50 kg
- Prepared for fan installation
- Brush strip and cable support rail pre-assembled

#### Delivery comprises (assembled)

Item	Qty	Description
1	1	Basic case, wall mounting, St, 1.5 mm, RAL 7035
2	1	Hinged case, St, 1.5 mm, RAL 7035, prepared for fan assembly
3	2	19" panel mount, AlZn, 1.5 mm, assembled in hinged case, depth-adjustable in 20 mm increments
4	1	Glazed/framed door, Sekurit glass, clear, 4 mm, frame, St, 2 mm, RAL 7035, with lever handle, prepared for optional DIN profile half cylinder
5	1	Cover plate, plain, St, 1.5 mm, RAL 7035
6	1	Cover plate, St, 1.5 mm, RAL 7035, with brush strip, black
7	2	Mounting rail, C profile
8	1	C-rail (cable support rail)
9	4	Wall mounting bracket, St, 3 mm, RAL 7035, incl. assembly material (enclosed loose)



02503050

#### Order Information

Height U	Height H mm	Depth D mm	Width mm	Part no.
7	366	579	600	<b>10234-454</b>
10	500	579	600	<b>10234-450</b>
16	766	579	600	<b>10234-451</b>
25	1166	579	600	<b>10234-453</b>
<b>GND/earthing kit tecnopac, 1 piece</b>				<b>21120-142</b>
<b>DIN profile half cylinder, common locking for lever handle (1 key fits all locks) incl. 2 keys</b>				<b>25127-995</b>
<b>Spare key DIN semi-profile cylinder, 1 piece</b>				<b>60220-003</b>
<b>Fan with grille 230 V<sub>AC</sub>, connection via IEC 320 plug, 1 piece</b>				<b>20118-755</b>
<b>Thermostat with mains/line connector, 230 V<sub>AC</sub>, SCHUKO/UTE connector, IEC-320 female connector, 1 piece</b>				<b>20118-750</b>

#### Note

- Other sizes and versions available on request



For further information [www.schroff.biz/oneclick](http://www.schroff.biz/oneclick)  
oneClick search code = Part no.



ServicePLUS see page 2.36

## Wall mounted cases - *tecnopac*

### tecnopac IP 55 with glazed door

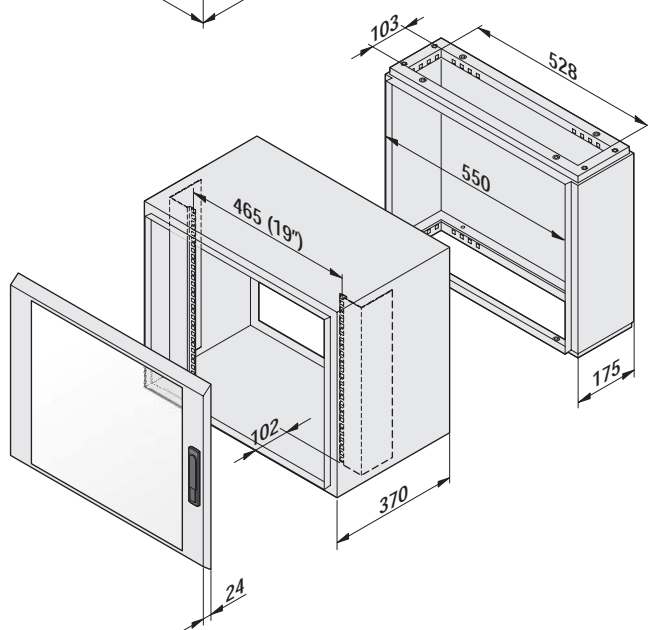
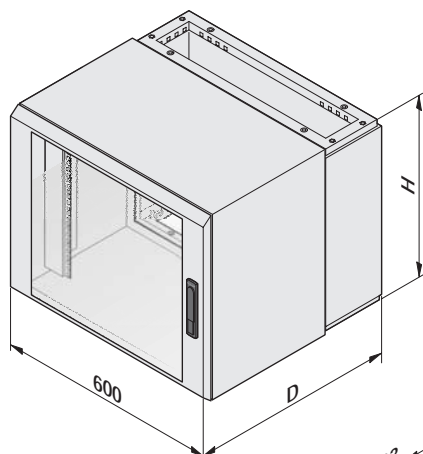


02505002

- Hinged case for easy access behind the 19" plane
- Static load-carrying capacity 50 kg
- Protection against dust and water
- Cover for retention of cable attachment
- Cable support rail pre-assembled

#### Delivery comprises (assembled)

Item	Qty	Description
1	1	Basic case, wall mounting, St, 1.5 mm, RAL 7035
2	1	Hinged case, St, 1.5 mm, RAL 7035
3	2	19" panel mount, AlZn, 1.5 mm, assembled in hinged case, depth-adjustable in 20 mm increments
4	1	Glazed/framed door, Sekurit glass, clear, 4 mm, frame, St, 2 mm, RAL 7035, with lever handle, prepared for optional DIN profile half cylinder (from 16 U with locking bar)
5	1	Cover plate, plain, St, 1.5 mm, RAL 7035
6	1	Cover plate to accommodate cable attachment (PG flange), St, 1.5 mm, RAL 7035
7	2	Mounting rail, C-profile
8	1	C-rail (cable support rail)
9	4	Wall mounting bracket, St, 3 mm, RAL 7035, incl. assembly material (enclosed loose)



02505050

#### Order Information

Height U	Height H mm	Depth D mm	Width mm	Part no.
7	366	579	600	<b>10234-458</b>
10	500	579	600	<b>10234-459</b>
16	766	579	600	<b>10234-460</b>
25	1166	579	600	<b>10234-462</b>
<b>GND/earthing kit tecnopac, 1 piece</b>				<b>21120-142</b>
<b>DIN profile half cylinder with 2 keys</b>				<b>60114-121</b>
<b>Spare key DIN semi-profile cylinder, 1 piece</b>				<b>60220-003</b>

#### Note

- Other sizes and versions available on request



For further information [www.schroff.biz/oneclick](http://www.schroff.biz/oneclick)  
oneClick search code = Part no.



ServicePLUS see page 2.36

## Wall mounted cases - *tecno*pac

### tecno

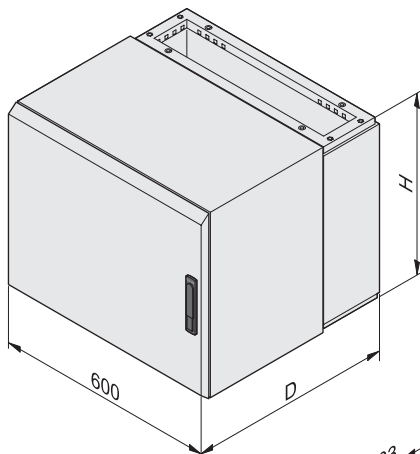
pac IP 55 with steel door


02505001

- Hinged case for easy access behind the 19" plane
- Static load-carrying capacity 50 kg
- Protection against dust and water
- Cover for retention of cable attachment
- Cable support rail pre-assembled

#### Delivery comprises (assembled)

Item	Qty	Description
1	1	Basic case, wall mounting, St, 1.5 mm, RAL 7035
2	1	Hinged case, St, 1.5 mm, RAL 7035
3	2	19" panel mount, AlZn, 1.5 mm, assembled in hinged case, depth-adjustable im 20 mm increments
4	1	Door, St, 2 mm, RAL 7035, with lever handle, prepared for optional DIN profile half cylinder (from 16 U with locking bar)
5	1	Cover plate, plain, St, 1.5 mm, RAL 7035
6	1	Cover plate to accomodate cable attachment (PG flange), St, 1.5 mm, RAL 7035
7	2	Mounting rail, C-profile
8	1	C-rail (cable support rail)
9	4	Wall mounting bracket, St, 3 mm, RAL 7035, incl. assembly material (enclosed loose)



#### Order Information

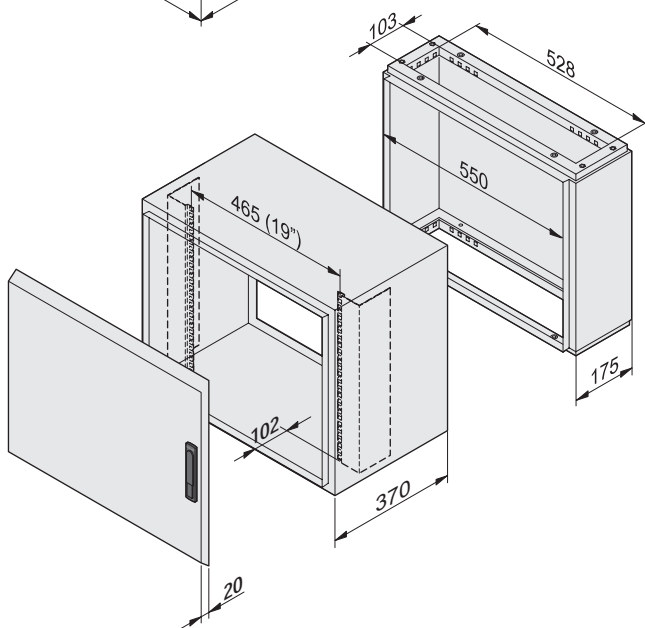
Height U	Height H mm	Depth D mm	Width mm	Part no.
7	366	575	600	<b>10234-446</b>
10	500	575	600	<b>10234-442</b>
16	766	575	600	<b>10234-443</b>
25	1166	575	600	<b>10234-445</b>
GND/earthing kit tecnopac, 1 piece				<b>21120-142</b>
DIN profile half cylinder with 2 keys				<b>60114-121</b>
Spare key DIN semi-profile cylinder, 1 piece				<b>60220-003</b>

#### Note

- Other sizes and versions available on request



For further information [www.schroff.biz/oneclick](http://www.schroff.biz/oneclick)  
oneClick search code = Part no.



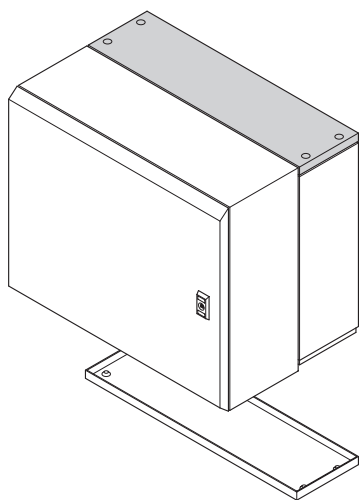
02504050



ServicePLUS see page 2.36

## Wall mounted cases - *tecno*pac

### Cover, plain



- For subsequent replacement of the covers (included in delivery)
- IP 55

#### Delivery comprises

Item	Qty	Description
1	1	Cover, plain, St, 1.5 mm, RAL 7035
2	1	Assembly kit

#### Order Information

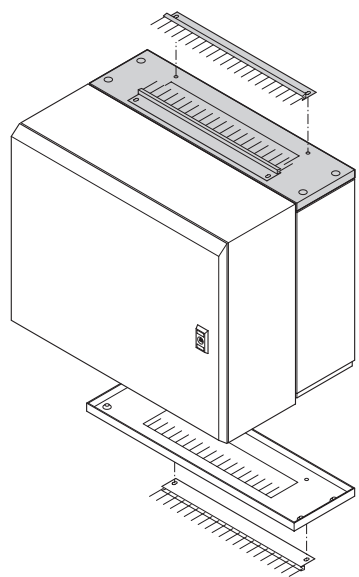
Description	Part no.
Cover, plain	<b>20234-371</b>

TPA45655



For further information [www.schroff.biz/oneclick](http://www.schroff.biz/oneclick)  
oneClick search code = Part no.

### Cover with brush strip



- For subsequent replacement of the covers (included in delivery)

#### Delivery comprises

Item	Qty	Description
1	1	Cover with brush strip, St, 1.5 mm, RAL 7035
2	1	Assembly kit

#### Order Information

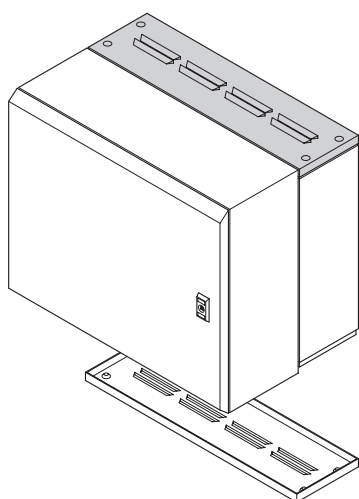
Description	Part no.
Cover with brush strip	<b>20234-643</b>

TPA45659



For further information [www.schroff.biz/oneclick](http://www.schroff.biz/oneclick)  
oneClick search code = Part no.

### Cover, louvered



- For subsequent replacement of the covers (included in delivery)
- IP 20

#### Delivery comprises

Item	Qty	Description
1	1	Cover, louvered, St, 1.5 mm, RAL 7035
2	1	Assembly kit

#### Order Information

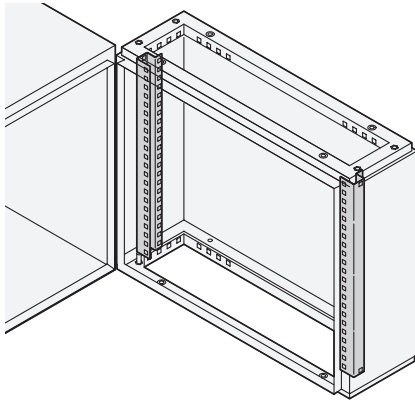
Description	Part no.
Cover, louvered	<b>20234-395</b>

TPA45657



## Wall mounted cases - *tecno*pac

### 19" panel mount



- For the construction of an additional 19" plane in the basic case
- Depth-adjustable in 25 mm increments

#### Delivery comprises

Item	Qty	Description
1	2	19" panel mounts, St, 1.5 mm, finish AlZn
2	1	Assembly kit

#### Order Information

For case height	For case height	Length L	Length I	Part no.
U	mm	mm	mm	
7	366	340	325	<b>20234-527</b>
10	500	474	458	<b>20234-528</b>
16	766	741	725	<b>20234-530</b>
25	1166	1141	1125	<b>20234-533</b>

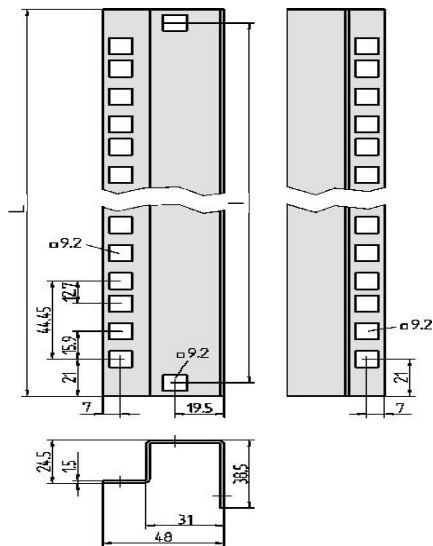
**Dimensions for 19" panel mounts, Paper, white, serial numbered from 1 ... 47 U, PU 4 pieces** **25127-997**

#### Note

- One pair of 19" panel mounts is already included in delivery (assembled in hinged case)



For further information [www.schroff.biz/oneclick](http://www.schroff.biz/oneclick)  
oneClick search code = Part no.



tpa44231

TPA44232

### Mounting plate

- For assembly in the basic case in place of the mounting rails

#### Delivery comprises

Item	Qty	Description
1	1	Mounting plate, AlZn, 2 mm
2	1	Assembly kit

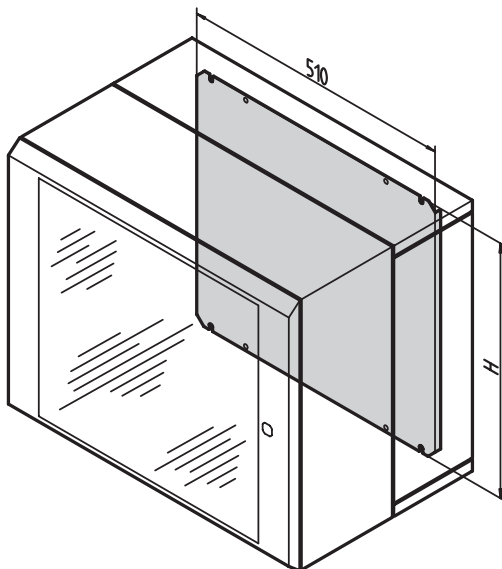
#### Order Information

Height	Height H	Width	Part no.
mm	mm	mm	
7	338	510	<b>20234-776</b>
10	471	510	<b>20234-777</b>
16	738	510	<b>20234-779</b>
25	1138	510	20234-782



For further information [www.schroff.biz/oneclick](http://www.schroff.biz/oneclick)  
oneClick search code = Part no.

tpa44215



## Wall mounted cases - *tecnopac*

### 19" equipment shelf, 1 U



- Static load-carrying capacity 5 kg
- Mounting height 1 U

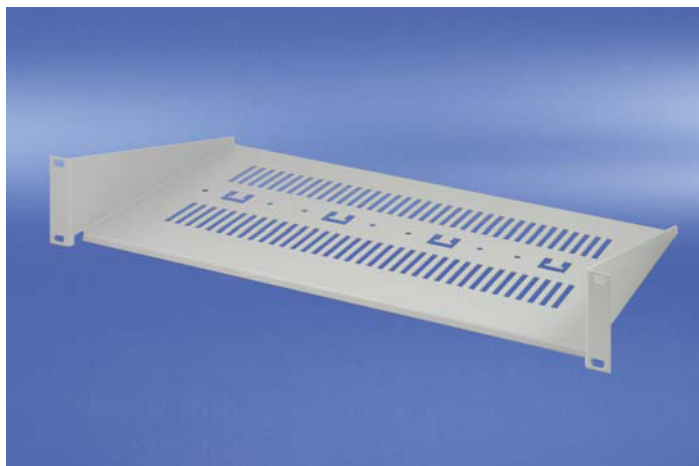
#### Delivery comprises

Item	Qty	Description
1	1	Equipment shelf, St, 1.5 mm

#### Order Information

Width mm	Depth mm	RAL 7035 Part no.
447	390	<b>20118-783</b>
<b>19" assembly kit (screw, washer, nut) PU 1 kit, 4 pieces each</b>		<b>21190-095</b>

### 19" equipment shelf, 2 U



- Static load-carrying capacity 10 kg
- Overall mounting height 2 U

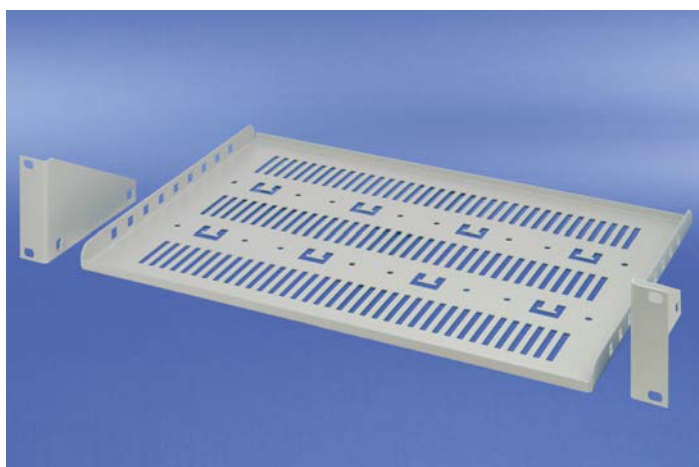
#### Delivery comprises

Item	Qty	Description
1	1	Equipment shelf, St, 1.5 mm

#### Order Information

Width mm	Depth mm	RAL 7035 Part no.
447	238	<b>20118-785</b>
<b>19" assembly kit (screw, washer, nut) PU 1 kit, 4 pieces each</b>		<b>21190-095</b>

### 19" equipment shelf, depth-adjustable, 2 U



- Static load-carrying capacity 15 kg
- Overall mounting height 2 U
- Depth-adjustable in 25 mm increments (front protrusion min. 26 mm)

#### Delivery comprises (kit)

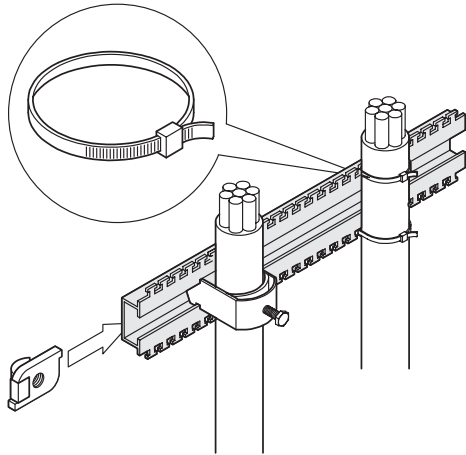
Item	Qty	Description
1	1	Equipment shelf, St, 1.5 mm
2	2	Mounting bracket with assembly kit, St, 1.5 mm

#### Order Information

Width mm	Depth mm	RAL 7035 Part no.
430	250	<b>20118-789</b>
430	300	<b>20118-790</b>
<b>19" assembly kit (screw, washer, nut) PU 1 kit, 4 pieces each</b>		<b>21190-095</b>

## Wall mounted cases - *tecnopac*

### C-rail



COB46100

- For strain relief or cable ducting on rear
- Assembly in 1 U pitch

#### Delivery comprises

Item	Qty	Description
1	1	Al profile, anodised
2	1	Assembly kit

#### Order Information

Description	Part no.
C-rail	<b>20234-847</b>
<b>Cable shell</b> for cable bundle 30 ... 34 mm, PU 10 pieces	<b>20114-728</b>
<b>Cable shell</b> for cable bundle 34 ... 38 mm, PU 10 pieces	<b>20114-729</b>
<b>Cable shell</b> for cable bundle 38 ... 42 mm, PU 10 pieces	<b>20114-730</b>
<b>Cable shell</b> for cable bundle 42 ... 46 mm, PU 10 pieces	<b>20114-731</b>
<b>Cable tie</b> 92 mm x 2,5 mm, PU 25 pieces	<b>20118-351</b>
<b>Cable tie</b> 186 mm x 5 mm, PU 25 pieces	<b>20118-352</b>
<b>Cable tie</b> 360 mm x 5 mm, PU 25 pieces	<b>20118-353</b>
<b>Slide nut for C-profile</b> , PU 10 pieces	<b>21120-140</b>

#### Note

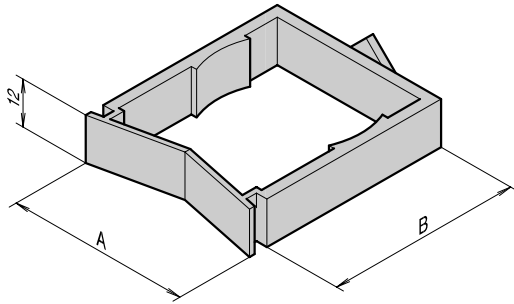
- One C-rail is already included in delivery of a tecnopac wall mounted case



**For further information [www.schroff.biz/oneclick](http://www.schroff.biz/oneclick)**  
 oneClick search code = Part no.

## Wall mounted cases - *tecnopac*

### Cable eye



COA43697

- For assembly at 19" mounting angle or at mounting rail
- Assembly by quarter turn without additional assembly parts

### Delivery comprises

Item	Qty	Description
1	25	Cable eye, plastic, black

### Order Information

A	B	Part no.
mm	mm	
38	25	<b>21101-151</b>
47	50	<b>21101-150</b>



For further information [www.schroff.biz/oneclick](http://www.schroff.biz/oneclick)  
oneClick search code = Part no.

Overview ..... 0

Cabinets ..... 1

Wall mounted cases ..... 2

Accessories for cabinets and wall mounted cases .... 3

Climate control .... 4

Desk-top cases .... 5

Subracks/  
19" chassis ..... 6

Front panels,  
plug-in units ..... 7

Systems ..... 8

Power supply  
units ..... 9

Backplanes ..... 10

Connectors, front  
panel component  
system ..... 11

Appendix ..... 12

## Wall mounted cases – CONCEPTLINE



41107005



41107004



41107003



41107002

Depth-adjustable 19" plane

Depth-adjustable mounting plate

Gland plate

### Standards

- Type of protection IP 66 in accordance with IEC 60529
- UL 508 type 4, 12
- NEMA 250 type 4, 12
- CSA-C22.2 No. 94 type 4, 12



## Wall mounted cases – CONCEPTLINE

Overview . . . . 2.12

**NEW**

### Robust indoor wall mounted enclosure

- Type of protection IP 66
- Depth adjustable 19" assembly plane or mounting plate
- With gland plate
- Dimensions from 300 x 250 x 150 mm to 1200 x 600 x 420 mm
- New colour RAL 7035



Wall mounted case

41107002



Wall mounted case with mounting plate

41107001

For smaller cases see chapter "Wall mounted cases, INLINE"  
Page 2.18

**ServicePLUS** from page 2.56  
e.g. special colours, special sizes  
e.g. air conditioning  
e.g. fittings, conversions, cut-outs  
e.g. custom solutions  
[www.schroff.biz/ServicePLUS](http://www.schroff.biz/ServicePLUS)



30407004

**CONCEPTLINE**

Wall mounted case . . . . . 2.14

Wall mounted case with mounting plate . . 2.15

Accessories . . . . .

Mounting plate . . 2.16

19" panel mount . 2.17

**ServicePLUS** . 2.56



# Wall mounted cases – CONCEPTLINE

## Wall-mounted case



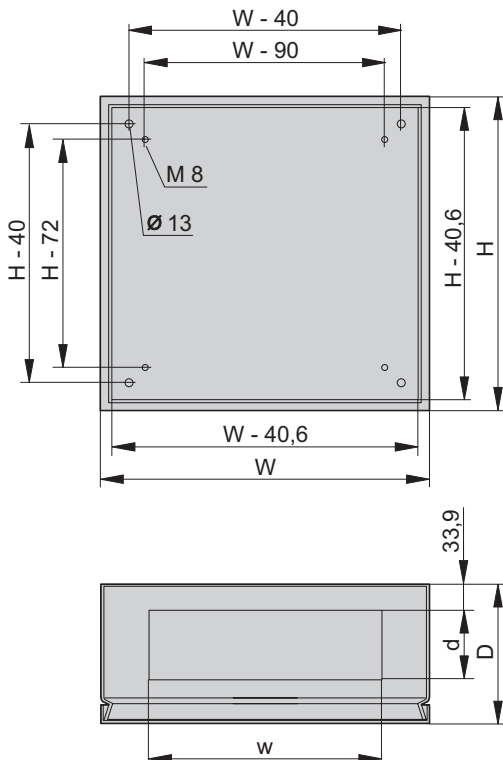
41102002

- Type of protection IP 66
- With gland plate
- Door opening angle 130°

# NEW

### Delivery comprises (assembled)

Item	Qty	Description
1	1	Basic case, St, 1.5 mm, RAL 7035
2	1	Door, St, 1.5 mm, RAL 7035, with gasket
3	1	Gland plate, supplied loose, St, 1.5 mm
4	1 / 2	Lock, 3 mm double bit, 1 lock for case height of up to 500 mm, 2 locks for case height M 600 mm
5	1	Assembly kit



const002

### Order Information

Case Height H mm	Width W mm	Depth D mm	Weight kg	Gland plate		Part no.
				Width w mm	Depth d mm	
300	250	150	5.3	187	62	<b>12506-004</b>
300	300	220	7.4	220	100	<b>12506-010</b>
400	300	150	7.6	187	62	<b>12506-005</b>
400	300	220	9.0	220	100	<b>12506-011</b>
400	400	220	10.5	220	100	<b>12506-012</b>
400	600	220	13.9	220	100	<b>12506-017</b>
500	400	220	13.0	220	100	<b>12506-013</b>
500	500	220	14.4	420	100	<b>12506-015</b>
500	500	320	17.9	420	100	<b>12506-030</b>
600	500	150	15.2	318	62	<b>12506-003</b>
600	400	220	14.9	220	100	<b>12506-014</b>
600	600	220	20.5	420	100	<b>12506-018</b>
600	600	320	24.0	420	100	<b>12506-031</b>
800	600	220	25.4	420	100	<b>12506-019</b>
800	800	220	32.0	420	100	<b>12506-020</b>
800	600	320	29.4	420	100	<b>12506-032</b>
800	600	420	31.4	420	100	<b>12506-054</b>
1000	600	220	31.0	420	100	<b>12506-022</b>
1000	600	320	34.0	420	100	<b>12506-041</b>
1200	600	320	40.0	420	100	<b>12506-033</b>
1200	600	420	44.0	420	100	<b>12506-055</b>

Wall mounting bracket St, 2.5 mm, zinc-plated, PU

4 pieces

**CMFK**

T-bar lock with 2 keys, PU 1 kit

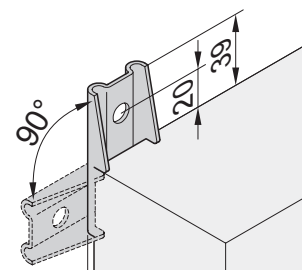
**62406-096**

GND/earthing, 2 x Cu wire, green/yellow, PU 1 kit

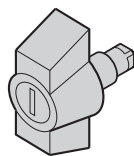
**12406-400**

### Note

- Smaller cases in chapter INLINE; further versions available on request



Wall-mounting bracket



T-bar lock

const02141105050



ServicePLUS see page 2.56



For further information [www.schroff.biz/oneclick](http://www.schroff.biz/oneclick)  
oneClick search code = Part no.

# Wall mounted cases – CONCEPTLINE

## Wall mounted cases with mounting plate



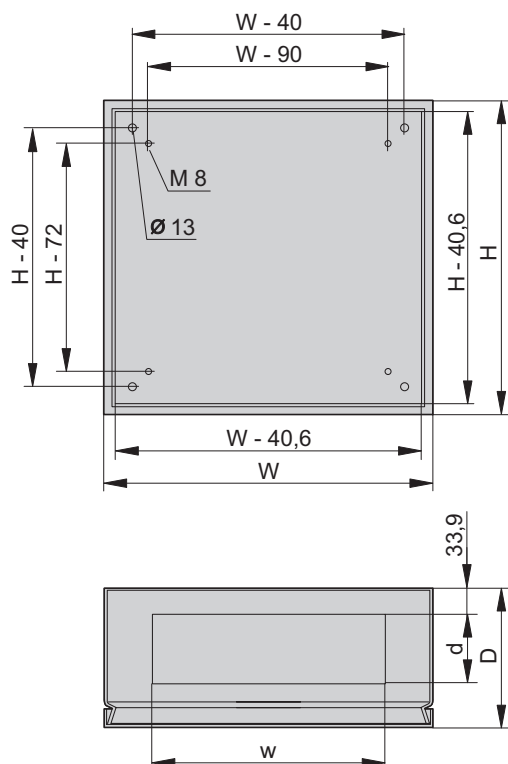
41107001

- Type of protection IP 66
- With gland plate
- Door opening angle 130°

# NEW

Delivery comprises (assembled)

Item	Qty	Description
1	1	Basic case, St, 1.5 mm, RAL 7035
2	1	Door, St, 1.5 mm, RAL 7035, with gasket
3	1	Gland plate, supplied loose, St, 1.5 mm
4	1 / 2	Lock, 3 mm double bit, 1 lock for case height of up to 500 mm, 2 locks for case height M 600 mm
5	1	Mounting plate (supplied loose), zinc-plated
6	1	Assembly kit



const002

## Order Information

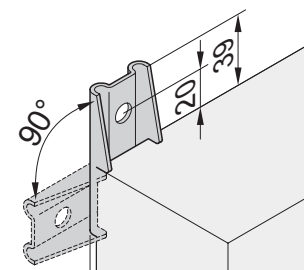
Case	Height H	Width W	Depth D	Weight	Gland plate		Part no.
					Width w	Depth d	
mm	mm	mm	mm	kg	mm	mm	
300	250	150	150	6.4	187	62	<b>12506-160</b>
300	300	220	220	8.7	220	100	<b>12506-162</b>
400	300	150	150	9.5	187	62	<b>12506-161</b>
400	300	220	220	10.9	220	100	<b>12506-163</b>
400	400	220	220	13.1	220	100	<b>12506-164</b>
400	600	220	220	20.5	420	100	<b>12506-168</b>
500	400	220	220	16.4	220	100	<b>12506-165</b>
500	500	220	220	18.6	420	100	<b>12506-167</b>
600	400	220	220	18.9	220	100	<b>12506-166</b>
600	600	220	220	33.2	420	100	<b>12506-169</b>
600	600	320	320	36.7	420	100	<b>12506-171</b>
800	600	220	220	41.0	420	100	<b>12506-170</b>
800	600	320	320	45.0	420	100	<b>12506-172</b>
800	600	420	420	46.7	420	100	<b>12506-173</b>
800	800	220	220	44.8	420	100	<b>12506-174</b>
1000	600	320	320	46.0	420	100	<b>12506-177</b>
1200	600	320	320	54.0	420	100	<b>12506-175</b>
1200	600	420	420	59.0	420	100	<b>12506-176</b>

Wall mounting bracket St, 2.5 mm, zinc-plated, PU 4 pieces	<b>CMFK</b>
T-bar lock with 2 keys, PU 1 kit	<b>62406-096</b>
GND/earthing, 2 x Cu wire, green/yellow, PU 1 kit	<b>12406-400</b>

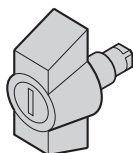
## Note

- For depth-adjustable assembly of mounting plate please order depth members and mounting brackets separately
- Smaller cases in chapter INLINE; further versions available on request

const02141105060



Wall-mounting bracket



T-bar lock



ServicePLUS see page 2.56

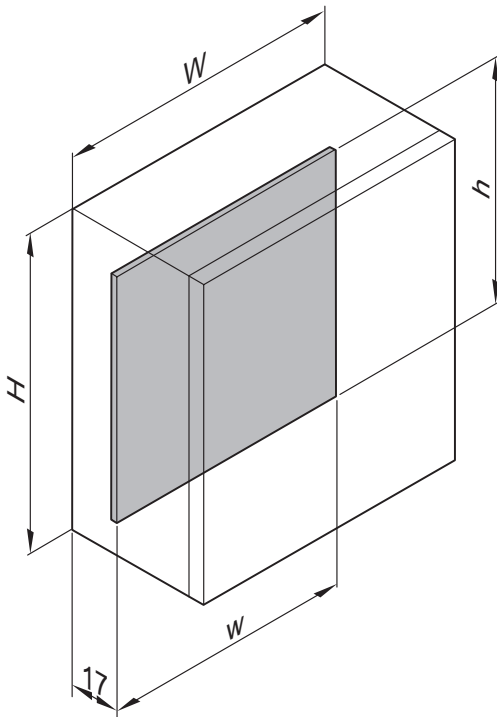


For further information [www.schroff.biz/oneclick](http://www.schroff.biz/oneclick)  
oneClick search code = Part no.

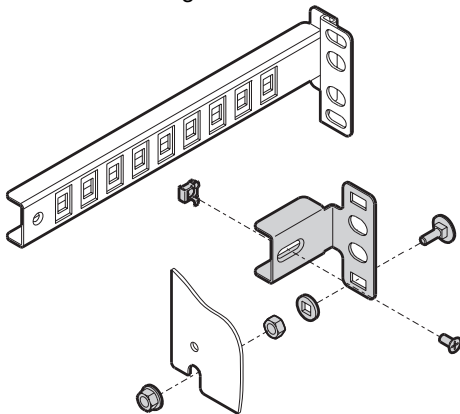


# Wall mounted cases – CONCEPTLINE

## Mounting plate



Depth member and mounting bracket



const006

const033

- For assembly of electromechanical components
- Mounting position on rear panel; recessed installation is possible if depth members are used

### Delivery comprises

Item	Qty	Description
1	1	Mounting plate, St, 2.5 mm, zinc-plated
2	1	Assembly kit, incl. GND/earthing

### Order Information

Mounting plate		Weight	Für Gehäuse		Part no.
Height h	Width w		Height H	Width W	
mm	mm	kg	mm	mm	
254	204	1.0	300	250	<b>12406-801</b>
254	254	1.3	300	300	<b>12406-810</b>
354	254	1.5	400	300	<b>12406-802</b>
354	354	2.4	400	400	<b>12406-812</b>
354	554	4.3	400	600	<b>12406-821</b>
454	354	3.5	500	400	<b>12406-813</b>
454	454	4.3	500	500	<b>12406-815</b>
554	354	4.3	600	400	<b>12406-814</b>
554	454	5.2	600	600	<b>12406-816</b>
554	554	6.7	600	500	<b>12406-818</b>
754	554	9.5	800	600	<b>12406-819</b>

**Depth member** for case depth 220 mm, St, 2 mm, zinc-plated, PU 4 pieces **12406-419**

**Depth member** for case depth 320 mm, St, 2 mm, zinc-plated, PU 4 pieces **12406-418**

**Depth member** for case depth 420 mm, St, 2 mm, zinc-plated, PU 4 pieces **12406-411**

**Mounting bracket** St, 2 mm, zinc-plated, assembly on depth member, for depth-adjustable assembly of a mounting plate, PU 4 pieces **12406-730**

### Note

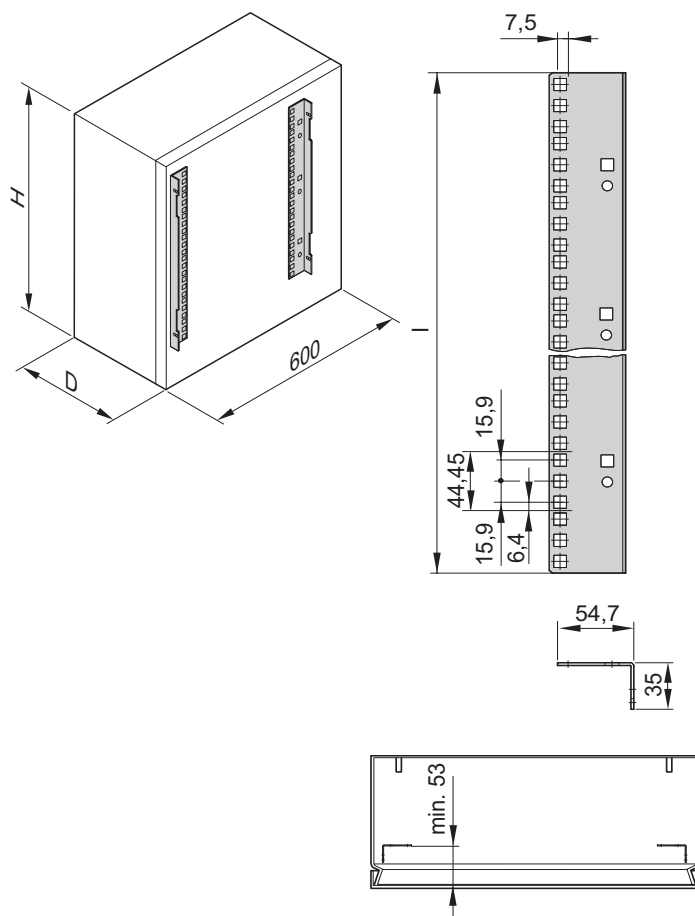
- For depth-adjustable assembly of the mounting plate, please order depth members and mounting bracket separately



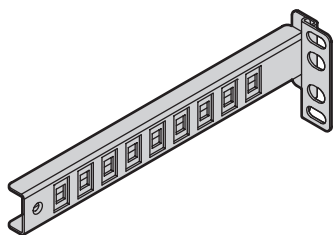
For further information [www.schroff.biz/oneclick](http://www.schroff.biz/oneclick)  
oneClick search code = Part no.

# Wall mounted cases – CONCEPTLINE

## 19" panel mount



Depth member



CONST013CONST014

const034

- For fitting of 19" equipment in accordance with IEC 60297-3-100 (DIN 41494 part 1)
- Only suitable for cases with a width of 600 mm
- Front mounting position; recessed installation is possible if depth members are used

### Delivery comprises

Item	Qty	Description
1	2	19" panel mount, St, 2 mm, zinc-plated
2	1	Assembly kit, incl. GND/earthing

### Order Information

Usable height U	Overall length I mm	For case height H mm	Part no.
8	390	400	<b>12406-450</b>
10	490	500	<b>12406-451</b>
12	590	600	<b>12406-452</b>
17	790	800	<b>12406-454</b>
<b>19" assembly kit (screw, washer, nut) PU = 32 x (screws M6, plastic washers, cage nuts)</b>			<b>21190-435</b>
<b>Depth member for case depth 220 mm, St, 2 mm, zinc-plated, PU 4 pieces</b>			<b>12406-419</b>
<b>Depth member for case depth 320 mm, St, 2 mm, zinc-plated, PU 4 pieces</b>			<b>12406-418</b>
<b>Depth member for case depth 420 mm, St, 2 mm, zinc-plated, PU 4 pieces</b>			<b>12406-411</b>

### Note

- For depth-adjustable fitting of the 19" grid please order depth members separately



For further information [www.schroff.biz/oneclick](http://www.schroff.biz/oneclick)  
oneClick search code = Part no.

Overview ..... 0

Cabinets ..... 1

Wall mounted cases ..... 2

Accessories for cabinets and wall mounted cases .... 3

Climate control .... 4

Desk-top cases .... 5

Subracks/ 19" chassis ..... 6

Front panels, plug-in units ..... 7

Systems ..... 8

Power supply units ..... 9

Backplanes ..... 10

Connectors, front panel component system ..... 11

Appendix ..... 12

## Wall mounted cases - INLINE



40707003



40796001

Installation housing, fittings may be mounted outside enclosure



40707001

Terminal housing, integral fixing rail



40796005

Easy wall mounting

### Standards

- Type of protection IP 66 in accordance with IEC 60529
- UL 508 type 4, 12
- NEMA 250 type 4, 12
- CSA-C22.2 No.94 type 4, 12



Downloads and further important information can be found on the Internet under [www.schroff.biz](http://www.schroff.biz)



## Wall mounted cases – INLINE

Overview . . . . 2.18

# NEW

### Robust small case for indoor wall mounting

- Type of protection up to IP 66
- To accommodate support rails or mounting plates
- Dimensions from 150 x 150 x 80 mm up to 400 x 400 x 120 mm
- New colour RAL 7035

#### INLINE

Terminal case . . . . 2.20  
Installation case . . . . 2.21

#### Accessories

Fixing rail . . . . . 2.22  
Support rails . . . . . 2.22  
Mounting plates . . . . 2.23  
Wall mounting . . . . . 2.23



#### Terminal case

- Type of protection IP 66
- Integrated fixing rail to accept a mounting plate or support rail
- Screw-fixed cover

40707001



#### Installation case

- Protection class IP 66
- Direct fitting of mounting plate
- Support rails fitted with fixing rails (can optionally be fitted outside case)
- Door opening angle 180°, hinged

40707002

Larger cases see chapter  
"Wall mounted cases, CONCEPTLINE"  
Page 2.12

#### ServicePLUS from page 2.36

e.g. special colours, special sizes  
e.g. fittings, conversions, cut-outs  
e.g. custom solutions

[www.schroff.biz/ServicePLUS](http://www.schroff.biz/ServicePLUS)

ServicePLUS . . . . 2.36



30407004



## Wall mounted cases – INLINE

### Terminal case



40707001

- Type of protection: IP 66
- Integrated fixing rail for mounting plate or support rail
- Screw-fixed cover

# NEW

### Delivery comprises (assembled)

Item	Qty	Description
1	1	Basic case, St, 1.4 mm, RAL 7035 with 2 integrated fixing rails
2	1	Cover, St, 1.4 mm, RAL 7035, with gasket
3	1	Assembly kit for internal assemblies

### Order Information

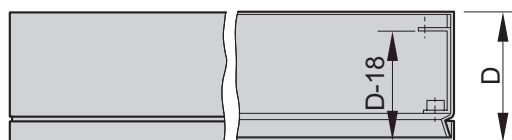
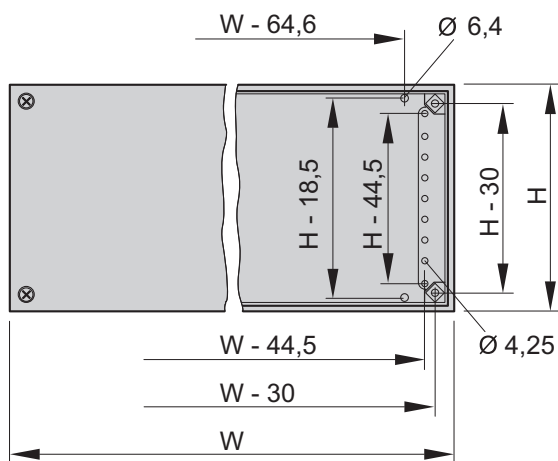
Height H mm	Width W mm	Depth D mm	Weight kg	Part no.
150	150	80	1.5	<b>12505-001</b>
150	150	120	1.8	<b>12505-020</b>
150	300	80	2.0	<b>12505-002</b>
150	300	120	2.7	<b>12505-021</b>
200	200	80	2.3	<b>12505-003</b>
200	200	120	2.5	<b>12505-022</b>
200	300	80	3.0	<b>12505-004</b>
200	300	120	3.5	<b>12505-023</b>
200	400	80	3.5	<b>12505-005</b>
200	400	120	4.5	<b>12505-024</b>
200	500	120	5.0	<b>12505-025</b>
300	300	120	4.5	<b>12505-028</b>
300	400	120	6.0	<b>12505-029</b>
400	400	120	7.5	<b>12505-032</b>
<b>Earthing kit</b>				<b>21101-836</b>
<b>Wall mounting</b> St, 2.6 mm, zinc-plated, incl. assembly kit and seal, PU 4 pieces				<b>12405-120</b>

### Note

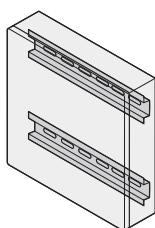
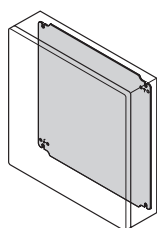
- Other dimensions available on request
- Wall mounting see page 2.23
- Mounting plate see page 2.23
- Support rail see below 2.22



For further information [www.schroff.biz/oneclick](http://www.schroff.biz/oneclick)  
oneClick search code = Part no.



40708054



4070805240708050

Assembly of mounting plate or support rail possible



ServicePLUS see page 2.56

## Wall mounted cases – INLINE

### Installation case



- Type of protection IP 66
- Direct fitting of mounting plate
- Support rails fitted with fixing rails (can optionally be fitted outside case)
- Door opening angle 180°

**NEW**

### Delivery comprises (assembled)

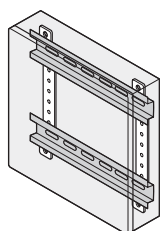
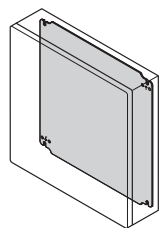
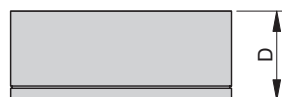
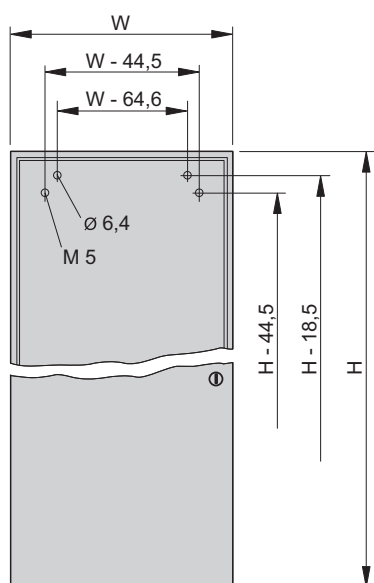
Item	Qty	Description
1	1	Basic case, St, 1.4 mm, RAL 7035
2	1	Door, St, 1.4 mm, RAL 7035, with gasket
3	1	Lock, 3 mm double bit, with key
4	1	Assembly kit

### Order Information

Height H mm	Width W mm	Depth D mm	Weight kg	Part no.
200	200	80	2.0	<b>12505-071</b>
200	200	120	2.1	<b>12505-081</b>
300	200	80	2.5	<b>12505-073</b>
300	200	120	3.1	<b>12505-083</b>
300	300	120	4.2	<b>12505-084</b>
400	200	80	3.5	<b>12505-074</b>
400	200	120	4.1	<b>12505-085</b>
400	300	120	5.4	<b>12505-086</b>
<b>Earthing kit</b>				<b>21101-836</b>
<b>Wall mounting St, 2.6 mm, zinc-plated, incl. assembly kit and seal, PU 4 pieces</b>				<b>12405-120</b>

### Note

- Other dimensions available on request
- A larger wall-mounted enclosure can be found in chapter CONCEPTLINE, see page 2.12
- Fixing rail see page 2.22
- Wall mounting see page 2.23
- Mounting plate see page 2.23
- Support rail see below 2.22



May be expanded with mounting plate or support rails (with fixing rails)



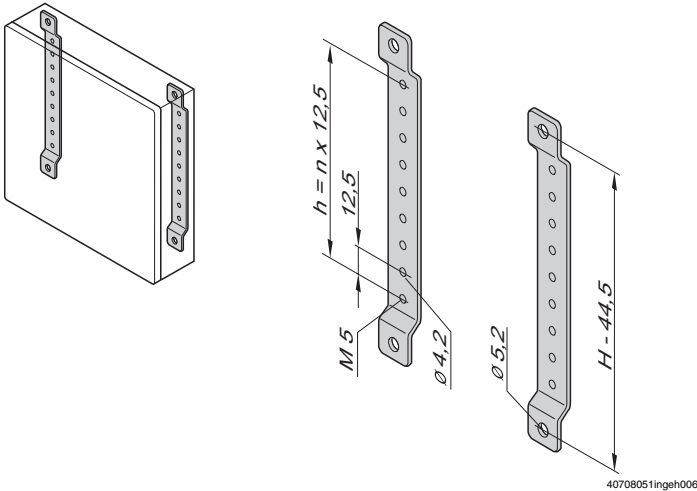
ServicePLUS see page 2.56



For further information [www.schroff.biz/oneclick](http://www.schroff.biz/oneclick)  
oneClick search code = Part no.

# Wall mounted cases – INLINE

## Fixing rail for internal configuration



- Required for mounting support rails in installation case

### Delivery comprises (kit)

Item	Qty	Description
1	2	Fixing rail, St, 3.4 mm, zinc-plated, assembly kit included in basic case

### Order Information

Case height H mm	n	h mm	Part no.
200	8	100	<b>LMK20</b>
300	16	200	<b>LMK30</b>
400	24	300	<b>LMK40</b>

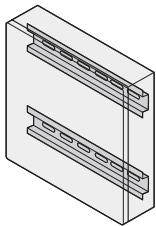
### Note

- Support rail see below



For further information [www.schroff.biz/oneclick](http://www.schroff.biz/oneclick)  
oneClick search code = Part no.

## Support rails



- For assembly directly into terminal housing
- To assemble into installation case fixing rails are required
- 2 versions
  - TS 35/7.5 (EN 50022)
  - TS 35/15 (EN 50022)

40708050

### Delivery comprises

Item	Qty	Description
1	4	Support rail, St, 1 mm, zinc-plated, assembly kit included in basic case

### Order Information

Support rail length l mm	For cases Width W mm	Part no.	Part no.
		TS 35/7.5	TS 35/15
125	150	<b>62405-001</b>	<b>62405-010</b>
175	200	<b>62405-002</b>	<b>62405-011</b>
275	300	<b>62405-003</b>	<b>62405-012</b>
375	400	<b>62405-004</b>	<b>62405-013</b>

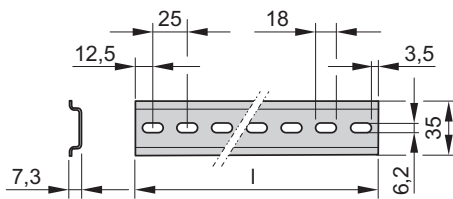
40708058

### Note

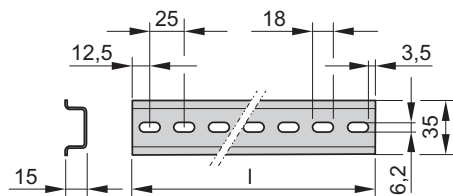
- Fixing rail see above



For further information [www.schroff.biz/oneclick](http://www.schroff.biz/oneclick)  
oneClick search code = Part no.



TS 35/7.5

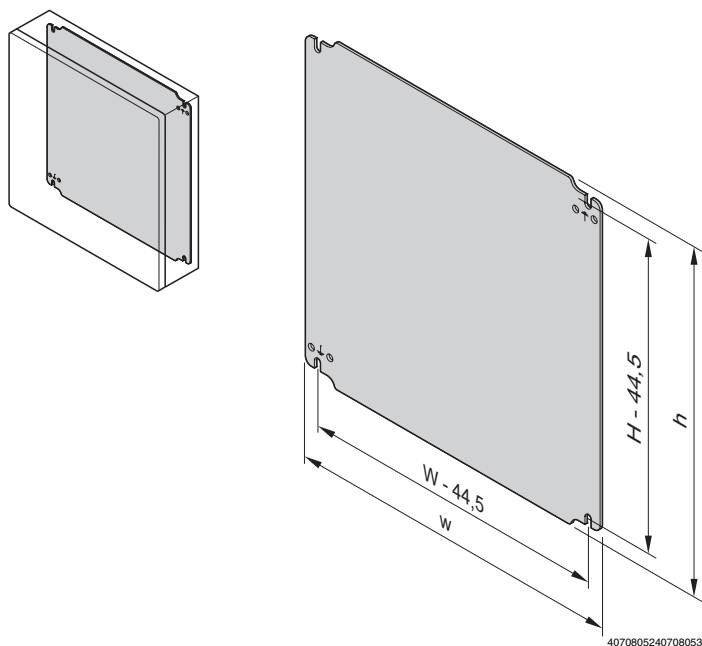


TS 35/15

40708059

## Wall mounted cases - INLINE

### Mounting plate



- For terminal housing and installation case
- For assembly of electromechanical components

### Delivery comprises

Item	Qty	Description
1	1	Mounting plate, St, 2.5 mm, zinc-plated, assembly kit included in basic case

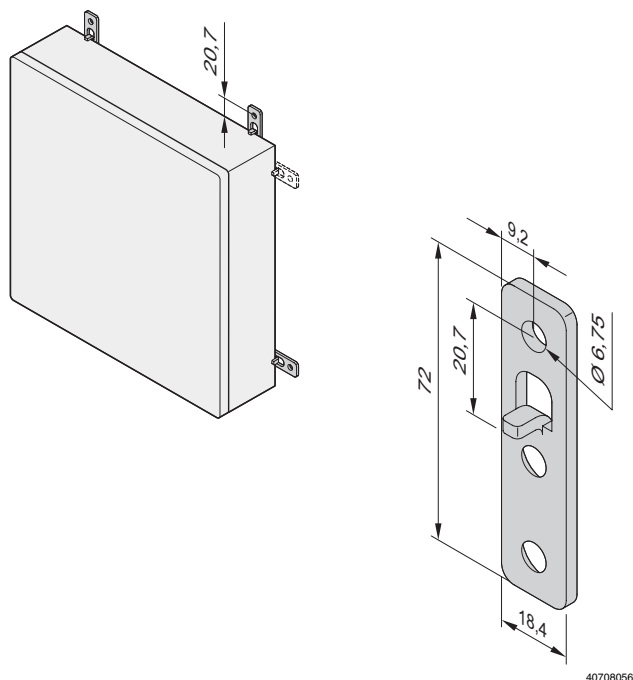
### Order Information

Mounting plate		Weight	For cases		Part no.
Height h	Width w	kg	Height H	Width W	
mm	mm		mm	mm	
131	131	0.4	150	150	<b>32405-024</b>
131	281	0.7	150	300	<b>32405-025</b>
181	181	0.7	200	200	<b>32405-026</b>
181	281	1.1	200	300	<b>32405-027</b>
181	381	1.5	200	400	<b>32405-028</b>
181	481	1.7	200	500	<b>32405-029</b>
281	181	1.8	300	200	<b>32405-033</b>
281	281	1.5	300	300	<b>32405-034</b>
281	381	2.3	300	400	<b>32405-035</b>
381	181	1.4	400	200	<b>32405-038</b>
381	281	2.4	400	300	<b>32405-039</b>
381	381	3.1	400	400	<b>32405-040</b>



For further information [www.schroff.biz/oneclick](http://www.schroff.biz/oneclick)  
oneClick search code = Part no.

### Wall mounting



- For terminal housing and installation case

### Delivery comprises

Item	Qty	Description
1	4	St, 2.6 mm, zinc-plated
2	1	Assembly kit with seals

### Order Information

Description	Part no.
Wall mounting	<b>12405-120</b>



For further information [www.schroff.biz/oneclick](http://www.schroff.biz/oneclick)  
oneClick search code = Part no.



Overview ..... 0

Cabinets ..... 1

Wall mounted cases ..... 2

Accessories for cabinets and wall mounted cases .... 3

Climate control .... 4

Desk-top cases .... 5

Subracks/  
19" chassis ..... 6

Front panels,  
plug-in units ..... 7

Systems ..... 8

Power supply  
units ..... 9

Backplanes ..... 10

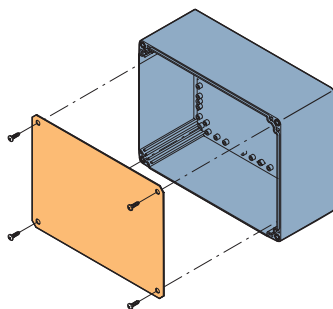
Connectors, front  
panel component  
system ..... 11

Appendix ..... 12

## Wall mounted cases – QLINE

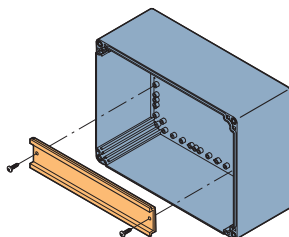


41505001

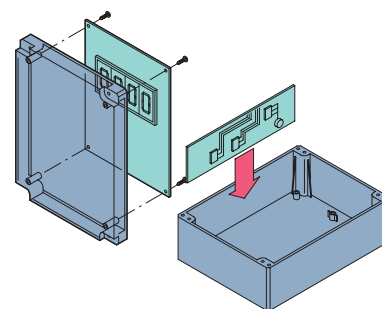


Mounting plate

qli024



Support rail



Boards can be fitted in cover or bottom section (QLINE-D)

qli023

qli022 qld023

### Standards

- Type of protection IP 66 and IP 67 in accordance with IEC 60529
- UL 508 type 4, 12
- NEMA 250 type 4, 12
- CSA-C22.2 No. 94 type 4, 12



Downloads and further important information can be found on the Internet under [www.schroff.biz](http://www.schroff.biz)



## Wall mounted cases – QLINE

Overview . . . . 2.24

### Wall mounted case for electronic components in rough industrial environment

- Robust, impact resistant plastic case made of Polycarbonate
- Protection types IP 66 and IP 67, designed for exterior applications
- To accommodate support rails and mounting plates



41505002

#### Case QLINE-I

- Dimensions from 200 x 200 x 130 mm to 300 x 400 x 180 mm
- Mounting plate is fully depth-adjustable
- Top covers are prepared for sealed cable entry

#### QLINE-I

Case . . . . . 2.26  
Mounting plate . . 2.27  
Support rail . . . . 2.27  
Threaded insert M3 . . . . . 2.27



41505003

#### Small case QLINE-D

- Dimensions from 53 x 55 x 36 mm to 160 x 240 x 121 mm
- Easy mounting of boards in cover or bottom section
- Protective caps for cover-screws

#### QLINE-D

Small case . . . . . 2.28



30407004

#### ServicePLUS from page 2.56

e.g. special sizes  
e.g. fittings, conversions, cut-outs  
e.g. custom solutions

[www.schroff.biz/ServicePLUS](http://www.schroff.biz/ServicePLUS)

ServicePLUS . 2.56.



# Wall mounted cases – QLINE-I

## Case QLINE-I



41505002

- Type of protection IP 66 and IP 67
- Top covers are prepared for sealed cable entry
- Grooves for full depth-adjustable mounting plate
- Version with light grey (RAL 7035) or transparent cover

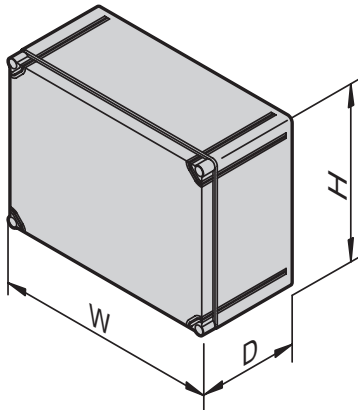


### Delivery comprises

Item	Qty	Description
1	1	Plastic die-cast case, Polycarbonate, RAL 7035
2	1	Cover, Polycarbonate, RAL 7035 or transparent
3	1	Assembly kit

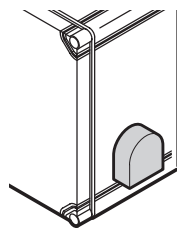
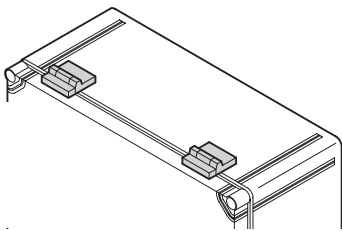
### Order Information

Height H	Width W	Depth D	Cover RAL 7035 Part no.	Cover transparent Part no.
200	200	130	-	<b>Q202013PCICC</b>
200	200	180	-	<b>Q202018PCICC</b>
200	300	130	<b>Q302013PCI</b>	<b>Q302013PCICC</b>
200	300	180	<b>Q302018PCI</b>	-
200	400	130	<b>Q402013PCI</b>	-
200	400	180	-	<b>Q402018PCICC</b>
300	300	130	<b>Q303013PCI</b>	<b>Q303013PCICC</b>
300	300	180	<b>Q303018PCI</b>	<b>Q303018PCICC</b>
300	400	130	<b>Q403013PCI</b>	<b>Q403013PCICC</b>
300	400	180	<b>Q403018PCI</b>	<b>Q403018PCICC</b>
<b>Hinge kit for top cover</b> PU 2 pieces			<b>QIHK</b>	
<b>Ventilation element</b> Protection type IP 44, 1 piece			<b>ANMV6</b>	
<b>Wall mounting</b> PU 4 pieces			<b>QIMFK</b>	



q1015

Hinge kit for top cover  
Ventilation element



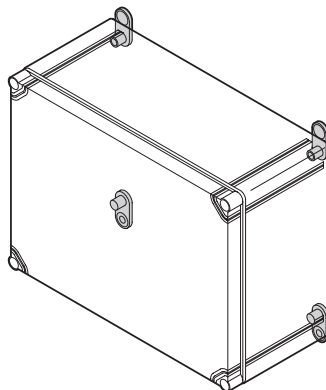
q1010 q1011

### Note

- Other sizes and dimensions available on request
- Other material (ABS) available on request
- Please order mounting plate separately, see page 2.27



For further information [www.schroff.biz/oneclick](http://www.schroff.biz/oneclick)  
oneClick search code = Part no.



Wall mounting

q1009



ServicePLUS see page 2.56

## Wall mounted cases – QLINE-I

### Mounting plate

- For QLINE-I

#### Delivery comprises

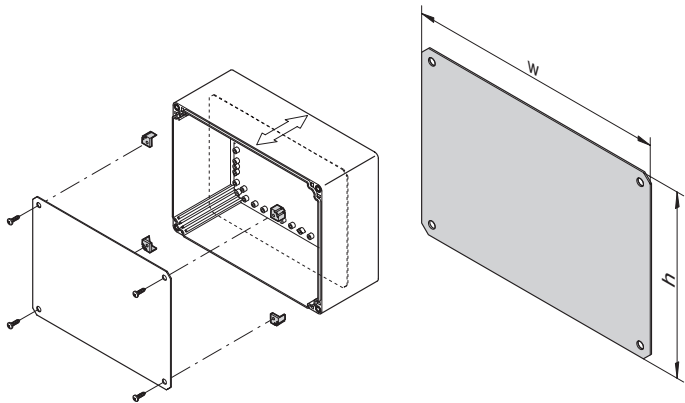
Item	Qty	Description
1	1	Mounting plate, zinc-plated

Delivery of basic case comprises self-tapping retention screws for rear panel assembly

#### Order Information

Mounting plate		For cases		Part no.
Height h mm	Width w mm	Height H mm	Width W mm	
160	160	200	200	<b>Q2020PI</b>
160	260	200	300	<b>Q3020PI</b>
160	360	200	400	<b>Q4020PI</b>
260	260	300	300	<b>Q3030PI</b>
260	360	300	400	<b>Q4030PI</b>

**Assembly kit** for depth-adjustment of mounting plate, PU  
1 kit **QIPDF**



Depth-adjustable mounting plate

qll022qll006

### Support rail

- For QLINE-I

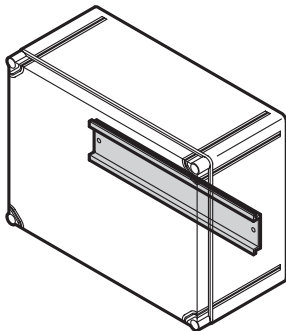
#### Delivery comprises

Item	Qty	Description
1	1	Support rail, TS 35/7.5, zinc-plated

Delivery of basic case comprises self-tapping retention screws for rear panel assembly

#### Order Information

For case width mm	Part no.
200	<b>QIDR351505</b>
300	<b>QIDR352505</b>
400	<b>QIDR353505</b>



QLI019

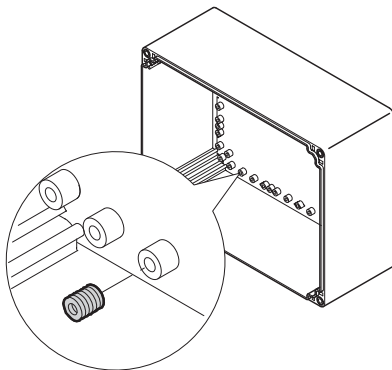
### Threaded insert M3

- For QLINE-I

- Where mounting plates or support rails are to be fitted and removed on a regular basis, we recommend the use of threaded inserts and M3 metric screws

#### Order Information

Description	Material	Qty/PU	Part no.
Threaded insert M3	Brass	4	<b>QBIK</b>



qll013



For further information [www.schroff.biz/oneclick](http://www.schroff.biz/oneclick)  
oneClick search code = Part no.

# Wall mounted cases – QLINE-D

## Small case QLINE-D



41505003

- Type of protection IP 66 and IP 67
- Easy mounting of boards in cover or bottom section
- Protective caps for cover-screws



### Delivery comprises

Item	Qty	Description
1	1	Plastic die-cast case, Polycarbonate, RAL 7035
2	1	Cover, Polycarbonate, RAL 7035
3	1	Assembly kit

### Order Information

Height H mm	Width W mm	Depth D mm	Part no.
53	55	36	<b>Q554PCD</b>
80	82	56	<b>Q886PCD</b>
80	120	56	<b>Q1286PCD</b>
80	120	86	<b>Q1289PCD</b>
80	160	56	<b>Q1686PCD</b>
80	160	86	<b>Q1689PCD</b>
120	122	56	<b>Q12126PCD</b>
120	122	86	<b>Q12129PCD</b>
120	200	86	<b>Q20129PCD</b>
150	200	76	<b>Q20158PCD</b>
160	240	91	<b>Q24169PCD</b>
160	240	121	<b>Q241612PCD</b>

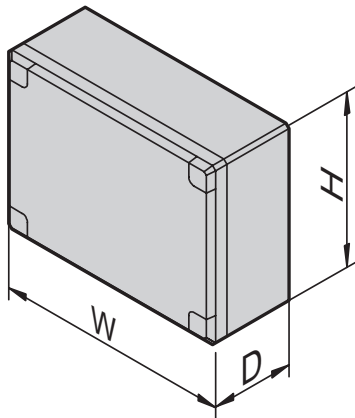
<b>Hinge kit for cover</b>	Polyamide, PU 2 pcs	<b>QDEHK</b>
<b>Ventilation element</b>	Protection type IP 44, 1 piece	<b>ANMV6</b>
<b>Wall mounting bracket</b>	Polycarbonate, PU 4 pcs	<b>QDMFK</b>

### Note

- Cases with transparent cover available on request
- Mounting plate or support rail available on request
- Other sizes and dimensions available on request
- Other material (ABS) available on request



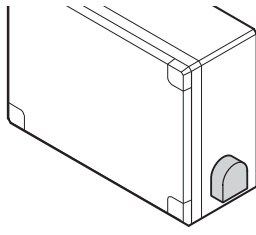
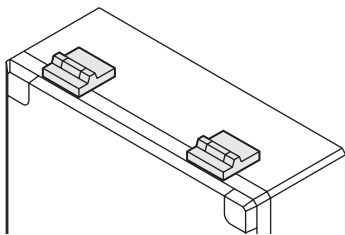
For further information [www.schroff.biz/oneclick](http://www.schroff.biz/oneclick)  
oneClick search code = Part no.



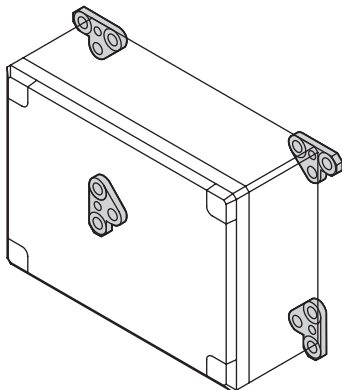
qid015

Hinge kit for cover

Ventilation element



QLD012qid0114



QLD011

Wall mounting bracket



ServicePLUS see page 2.35

## Wall mounted cases – QLINE-D

Overview ..... 0

Cabinets ..... 1

Wall mounted cases ..... 2

Accessories for cabinets and wall mounted cases .... 3

Climate control .... 4

Desk-top cases .... 5

Subracks/ 19" chassis ..... 6

Front panels, plug-in units ..... 7

Systems ..... 8

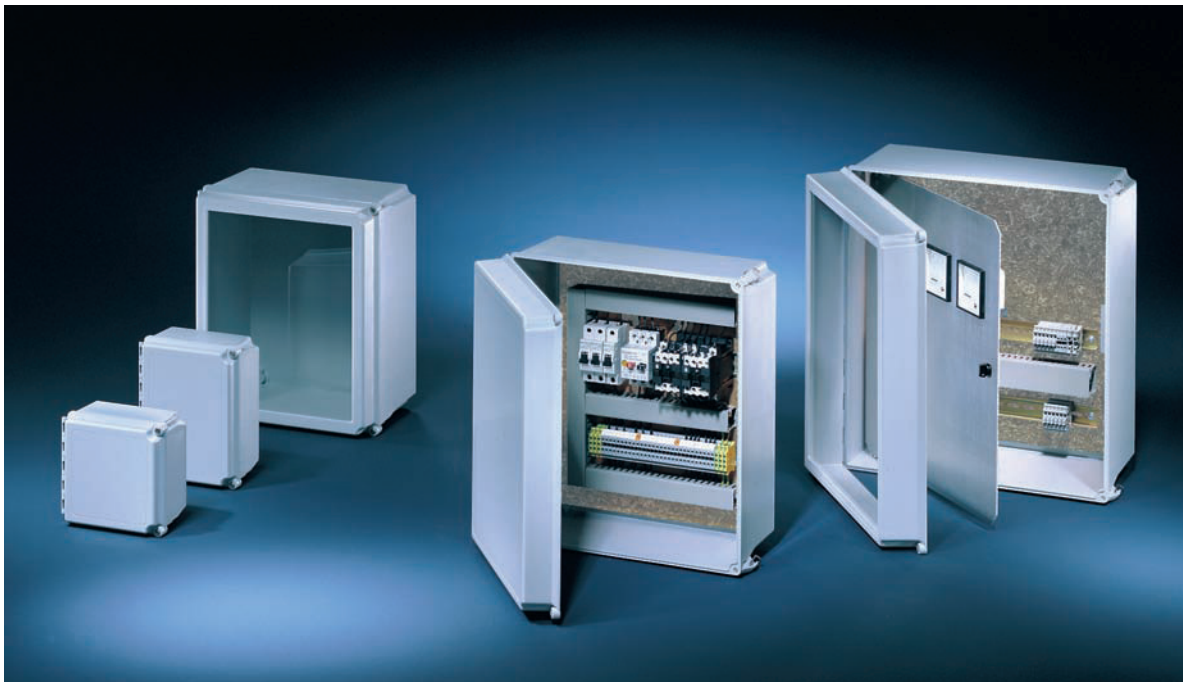
Power supply units ..... 9

Backplanes ..... 10

Connectors, front panel component system ..... 11

Appendix ..... 12

## Wall mounted cases - A48



40596001

### Application/function

For use in high-corrosive surroundings like oil refineries and chemical plants, water purification and sea water plants, for galvanic surface processing and in agriculture.

Case and door are made of shockproof fibreglass reinforced polyester. The high IP protection (IP 66) is reached by circumferential knife edges, against which a foamed PU seal is pressed. There are integrated threaded inserts for assembly of e. g. mounting plates.



40596003

Patented quick release fastener, appropriate for padlocks and lead seals

### Standards/certifications

- EN 60529, IP 66
- Flammability rating of case UL 94-5V, glazed version UL 94 V-0, UL 508 type 4, 4x, 12 and 13
- Nema/EEEMAC type 4, 4x, 12 and 13
- CSA type 4, 4x, 12 and 13



Downloads and further important information can be found on the Internet under [www.schroff.biz](http://www.schroff.biz)



## Wall mounted cases – A48

Overview . . . . 2.30

### Wall mounted case for high-corrosive environment

- Fibreglass reinforced plastic
- Protection type IP 66, designed for exterior applications
- Patented quick release fastener



Case with plain door

40505001



Case with glazed door

40596004



30407004

ServicePLUS from page 2.36  
e.g. custom solutions  
[www.schroff.biz/ServicePLUS](http://www.schroff.biz/ServicePLUS)

A48  
Case . . . . . 2.32

Accessories  
Mounting plates . 2.33  
Hinged mounting  
plates . . . . . 2.33

ServicePLUS . 2.36





## Wall mounted cases – A48

### Case



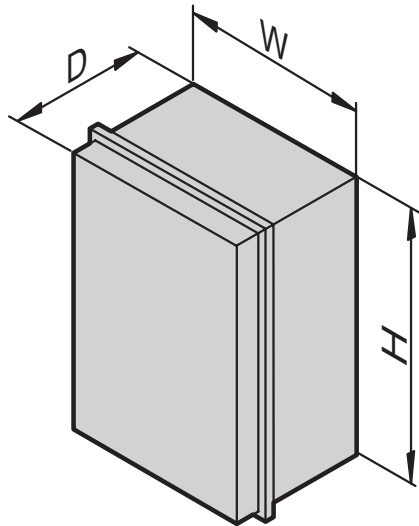
40505002

- Type of protection IP 66
- Integrated threaded inserts for assembly of e. g. mounting plates



### Delivery comprises (assembled)

Item	Qty	Description
1	1	Case of fibreglass reinforced Polyester, light grey
2a	1	Door of fibreglass reinforced Polyester, light grey, window of GE Lexan Margard
2b	1	Door made of fibreglass reinforced Polyester, light grey
3	4	Wall mounting bracket
4	1	Assembly kit



A48GE011

### Order Information

Height H mm	Width W mm	Depth D mm	With glazed door	With plain door
			Part no.	Part no.
165	165	117	<b>A664CHSCFGW</b>	<b>A664CHSCFG</b>
216	165	117	<b>A864CHSCFGW</b>	<b>A864CHSCFG</b>
267	216	167	<b>A1086CHSCFGW</b>	<b>A1086CHSCFG</b>
318	267	167	<b>A12106CHSCFGW</b>	<b>A12106CHSCFG</b>
370	319	219	<b>A14128CHSCFGW</b>	<b>A14128CHSCFG</b>
420	370	219	<b>A16148CHSCFGW</b>	<b>A16148CHSCFG</b>
472	421	270	<b>A181610CHSCFGW</b>	<b>A181610CHSCFG</b>
Quick release fastener PU 2 pieces			<b>AL48</b>	



40596003

Quick release fastener



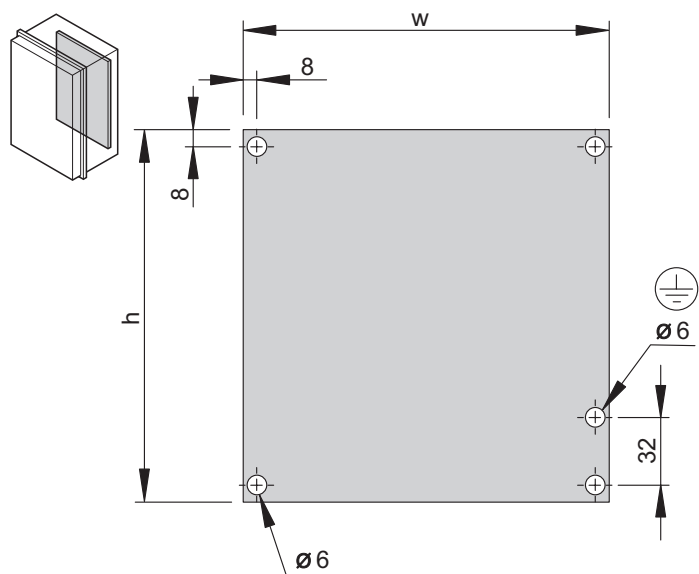
For further information [www.schroff.biz/oneclick](http://www.schroff.biz/oneclick)  
oneClick search code = Part no.



ServicePLUS see page 2.36

## Wall mounted cases – A48

### Mounting plate



A48GE004a48ge003

- Fitting on the internal surface of the rear panel of the case

#### Delivery comprises

Item	Qty	Description
1	1	Mounting plate, St, 1.7 mm, zinc-plated

#### Order Information

Mounting plate		For cases		Part no.
Height h mm	Width w mm	Height H mm	Width W mm	
124	124	165	165	<b>12403-150</b>
171	124	216	165	<b>12403-151</b>
222	175	267	216	<b>12403-152</b>
273	226	318	267	<b>12403-153</b>
324	276	370	319	<b>12403-154</b>
375	327	420	370	<b>12403-155</b>
425	378	472	421	<b>12403-156</b>

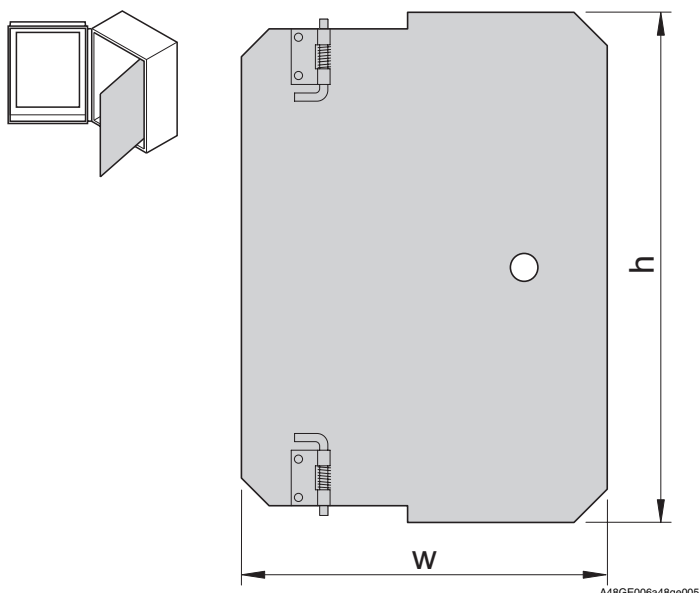
#### Note

- Assembly kit included in the basic case



For further information [www.schroff.biz/oneclick](http://www.schroff.biz/oneclick)  
oneClick search code = Part no.

### Mounting plate hinged



A48GE006a48ge005

- Mounting to the front inside the case (left or right)

#### Delivery comprises

Item	Qty	Description
1	1	Mounting plate, hinged, Al, 2 mm, raw

#### Order Information

Mounting plate		For cases		Part no.
Height h mm	Width w mm	Height H mm	Width W mm	
150	150	165	165	<b>A6SPK6C</b>
201	150	216	165	<b>A8SPK6C</b>
250	198	267	216	<b>A10SPK8C</b>
301	249	318	267	<b>A12SPK10C</b>
350	298	370	319	<b>A14SPK12C</b>
401	349	420	370	<b>A16SPK14C</b>
451	398	472	421	<b>A18SPK16C</b>

#### Note

- Assembly kit included in the basic case



For further information [www.schroff.biz/oneclick](http://www.schroff.biz/oneclick)  
oneClick search code = Part no.

Overview ..... 0

Cabinets ..... 1

Wall mounted cases ..... 2

Accessories for cabinets and wall mounted cases .... 3

Climate control .... 4

Desk-top cases .... 5

Subracks/ 19" chassis ..... 6

Front panels, plug-in units ..... 7

Systems ..... 8

Power supply units ..... 9

Backplanes ..... 10

Connectors, front panel component system ..... 11

Appendix ..... 12

## Wall mounted cases - *epcase*



01505008



01506002

Hinged side panels for easy access

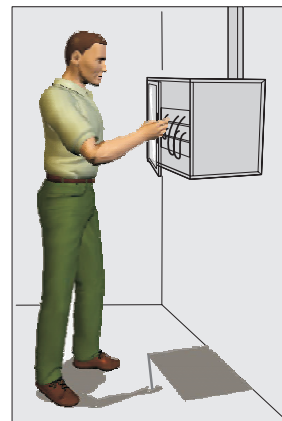
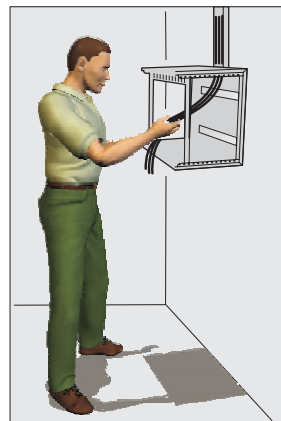
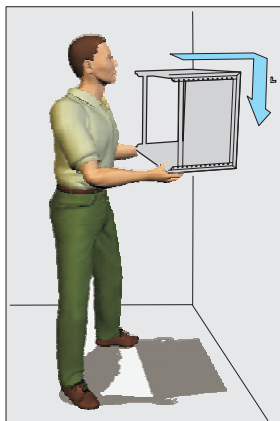


01505003

Optimum space utilisation due to an additional vertical 19" plane; fans retrofittable

### Standards

- Type of protection IP 20:  
IEC 60529



01504051

Simple design and assembly: mounting, wiring, cladding



Downloads and further important information can be found on the Internet under [www.schroff.biz](http://www.schroff.biz)



## Wall mounted cases - *epcase*

Overview . . . . 2.34

### Low-cost wall mounted enclosure

- Hinged side panels for easy access
- Completely pre-assembled
- Optimum space utilisation through depth-adjustable 19" slide mounts and an additional vertical 19" plane
- Type of protection IP 20



01506001

#### epcase 19"

- 19" assembly from 9 ... 20 U



01505006

#### epcase 10"

- 10" assembly from 4 ... 12 U

#### epcase 19"

19" wall mounted enclosure . . . . .	2.36
Fan . . . . .	2.37
Protective grille . . . . .	2.37
Air filter . . . . .	2.38
Lever handle . . . . .	2.38
19" equipment support . . . . .	2.39
Modem shelf . . . . .	2.40
Vertical 19" plane . . . . .	2.40
Cable eye . . . . .	2.41
Cable support rail . . . . .	2.41
Short slide rail . . . . .	2.41

#### epcase 10"

10" wall mounted enclosure . . . . .	2.42
Air filter . . . . .	2.43
Equipment support . . . . .	2.43
10" front panel . . . . .	2.44
10" distribution field . . . . .	2.44
10" socket strip 1 U, SCHUKO . . . . .	2.45



30407004

#### ServicePLUS from page 2.56

- e.g. special colours, special sizes
- e.g. air conditioning
- e.g. fittings, conversions, cut-outs
- e.g. custom solutions

[www.schroff.biz/ServicePLUS](http://www.schroff.biz/ServicePLUS)

ServicePLUS . 2.56

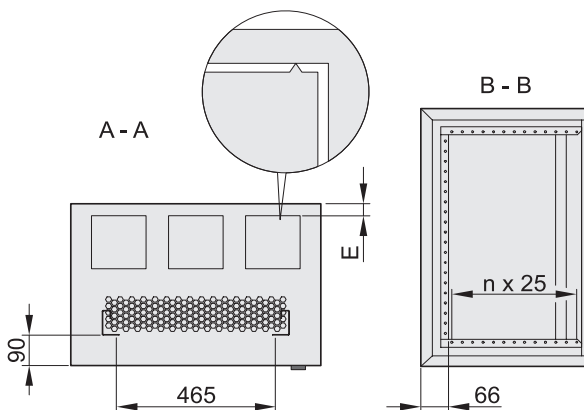
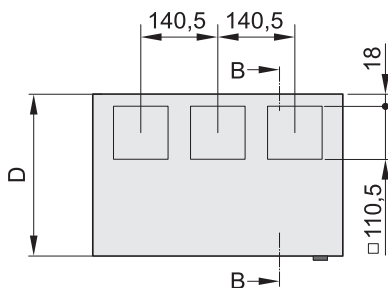
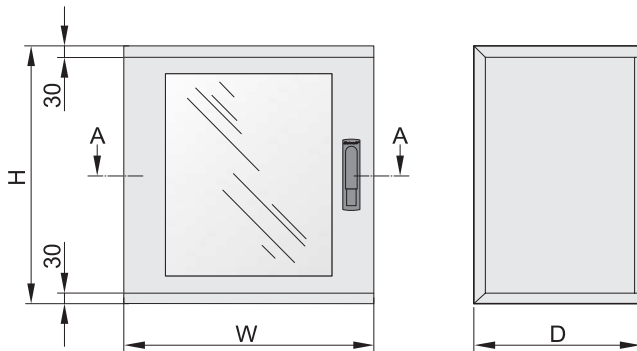


# Wall mounted cases - *epcase*

## 19" wall mounted case



01506002



eca46458

- Multi functional 19" wall case with hinged side panels
- Cable entry possible from above or below; the cable ducting opening can be sealed with two brush strips each, resp. can be used to assemble fan
- Cable support rail is included and is adjustable in 25 mm increments
- 19" panel/slide mounts are depth-adjustable in 25 mm increments
- Type of protection IP 20

### Delivery comprises (assembled)

Item	Qty	Description
1	1	Basic case, C-form, St, 2 mm, RAL 7021
2	1	Glazed door, with key lock (key no. 2233), door handle cut-out S2100, frame, St, 1.5 mm, RAL 7035, Sekurit glass, 4 mm,
3	2	Side panel, St, 1.5 mm, RAL 7035
4	1	Cable support rail, St, RAL 7035
5	2	19" slide mounts, St, 2 mm, finish AlZn
6	2	Brush strip (to cover the cable entry opening)
7	1	Assembly kit for wall mounting

### Order Information

	Height H	Width W	Depth D	E	Weight	Load-carrying capacity:	Part no.
<b>U</b>	<b>mm</b>	<b>mm</b>	<b>mm</b>	<b>mm</b>	<b>kg</b>		
9	487	600	300	18	18	60	<b>10236-151</b>
9	487	600	400	18	20	35	<b>10236-152</b>
12	612	600	400	18	24	35	<b>10236-156</b>
12	612	600	500	85	25	30	<b>10236-157</b>
16	812	600	400	18	28	35	<b>10236-160</b>
16	812	600	500	85	30	30	<b>10236-161</b>
16	812	600	600	85	32	25	<b>10236-162</b>
20	962	600	500	85	34	30	<b>10236-165</b>
20	962	600	600	85	38	25	<b>10236-166</b>
<b>GND/earthing, PU 1 kit</b>							<b>21236-097</b>
<b>Brush strip, 1 piece</b>							<b>21236-094</b>
<b>Feet, plastic, black, PU 4 pieces</b>							<b>21236-089</b>
<b>Cable shells for cable bundle 30 ... 34 mm, PU 10 pieces</b>							<b>20114-728</b>
<b>Cable ties 92 mm x 2,5 mm, PU 25 pieces</b>							<b>20118-351</b>
<b>19" assembly kit (screw, washer, nut) PU = 32 x (screws M6, plastic washers, cage nuts)</b>							<b>21190-435</b>

### Note

- Lever handle for single point locking with DIN profile half cylinder is retrofittable, see page 2.38



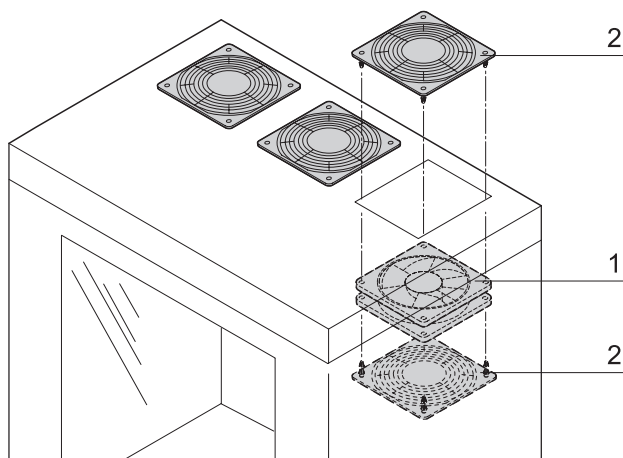
For further information [www.schroff.biz/oneclick](http://www.schroff.biz/oneclick)  
oneClick search code = Part no.



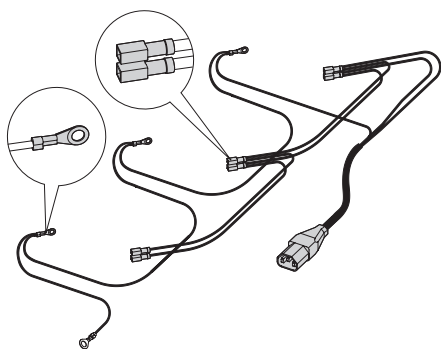
ServicePLUS see page 2.56

## Wall mounted cases - *epcase*

### Fan with covering grille, 230 V<sub>AC</sub>



01503057



Connecting cable and earthing for 1 ... 3 fans

01505057

- For assembly in cable ducting openings (top/bottom)
- Assembly of fan by clipping in protective grilles
- Connection of up to 3 fans via separate connecting cable

#### Delivery comprises

Item	Qty	Description
1	1	230 V <sub>AC</sub> fan, dimensions 38 x 119 x 119 mm
2	2	Protective grille, plastic, black

#### Order Information

Description	Part no.
Fan with covering grille, 230 V <sub>AC</sub>	<b>21236-092</b>
Connecting cable for 1 ... 3 fans IEC-320 male connector, 1 piece	<b>21236-099</b>
Thermostat with mains/line connector, 230 V <sub>AC</sub> , SCHUKO/UTE connector, IEC-320 female connector, 1 piece	<b>20118-750</b>

#### Technical data

Frequency	50 Hz	60 Hz
Voltage	230 V <sub>AC</sub>	230 V <sub>AC</sub>
Air volume, unrestricted	162 m <sup>3</sup> /h	192 m <sup>3</sup> /h
Noise pressure level	37 dB(A)	41 dB(A)
Max. static pressure	73 Pa	88 Pa
Max. ambient temperature	+70 °C	+70 °C
Power consumption	15 W	14 W

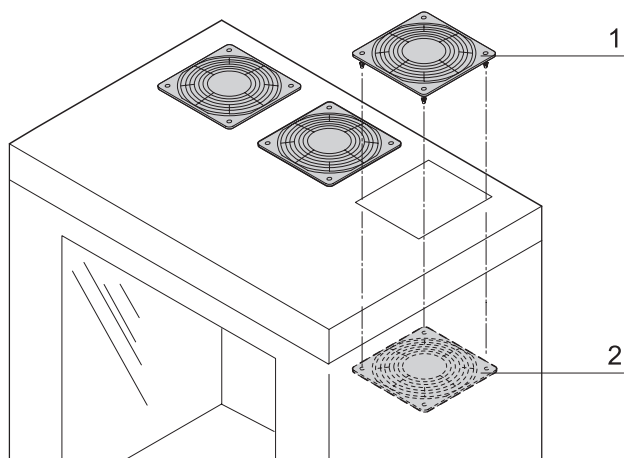
#### Note

- Please order connecting cable separately



For further information [www.schroff.biz/oneclick](http://www.schroff.biz/oneclick)  
oneClick search code = Part no.

### Protective grille



01505058

- For passive cooling
- To cover the opening

#### Delivery comprises

Item	Qty	Description
1	1	Protective grille with pins, plastic, black
2	2	Protective grille with cut-outs, plastic, black

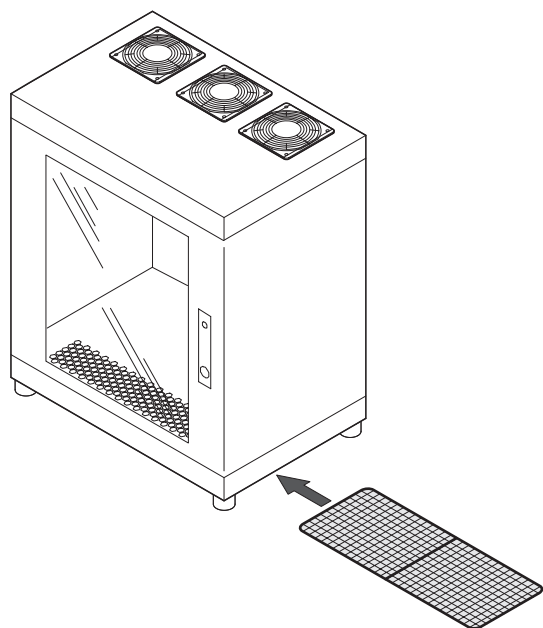
#### Order Information

Description	Part no.
Protective grille	<b>21236-127</b>



For further information [www.schroff.biz/oneclick](http://www.schroff.biz/oneclick)  
oneClick search code = Part no.

## Wall mounted cases - *epcase*



01505059

### Air filter for 19" wall mounted case

- Filtering of inlet air at the case bottom
- Assembly beneath the case, easy filter replacement
- Filter class G3

#### Delivery comprises

Item	Qty	Description
1	2	Support bracket, St, 1 mm, RAL 7021
2	3	Filter mat with round steel frame, filter class G3
3	1	Assembly kit

#### Order Information

Description	Part no.
Air filter for case depth 300/400 mm	<b>21236-104</b>
Air filter for case depth 500/600 mm	<b>21236-103</b>
Replacement filter mat for case depth 300/400 mm, PU 3 pieces	<b>21236-123</b>
Replacement filter mat for case depth 500/600 mm, PU 3 pieces	<b>21236-125</b>



For further information [www.schroff.biz/oneclick](http://www.schroff.biz/oneclick)  
oneClick search code = Part no.



01005016

### Lever handle for single point locking

- For installation instead of key lock insert
- To open press push-button
- DIN semi-profile cylinder retrofittable

#### Delivery comprises

Item	Qty	Description
1	1	Lever handle for single point locking
2	1	Assembly kit

#### Order Information

Description	Part no.
Lever handle for single point locking	<b>23130-067</b>
DIN profile half cylinder, common locking for lever handle (1 key fits all locks) incl. 2 keys	<b>25127-995</b>

#### Note

- Other locks such as ASSA, KABA or RONIS available on request



For further information [www.schroff.biz/oneclick](http://www.schroff.biz/oneclick)  
oneClick search code = Part no.

## Wall mounted cases - *epcase*

### 19" equipment shelf, 1 U



00508006

- Static load-carrying capacity 5 kg
- Mounting height 1 U

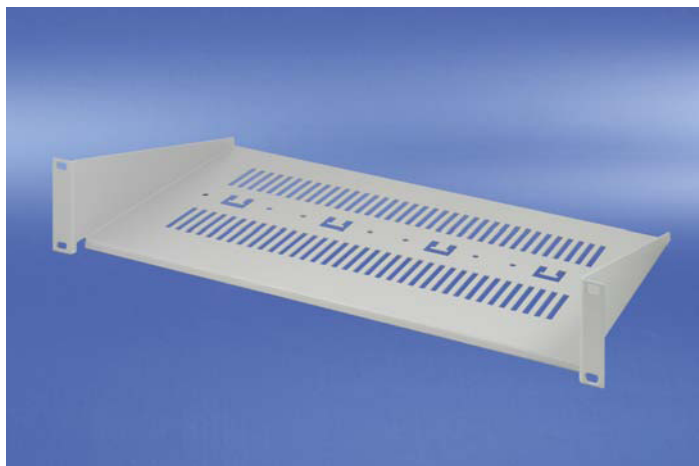
#### Delivery comprises

Item	Qty	Description
1	1	Equipment shelf, St, 1.5 mm

#### Order Information

Width mm	Depth mm	RAL 7035 Part no.
447	390	<b>20118-783</b>
<b>19" assembly kit (screw, washer, nut) PU 1 kit, 4 pieces each</b>		<b>21190-095</b>

### 19" equipment shelf, 2 U



00508002

- Static load-carrying capacity 10 kg
- Overall mounting height 2 U

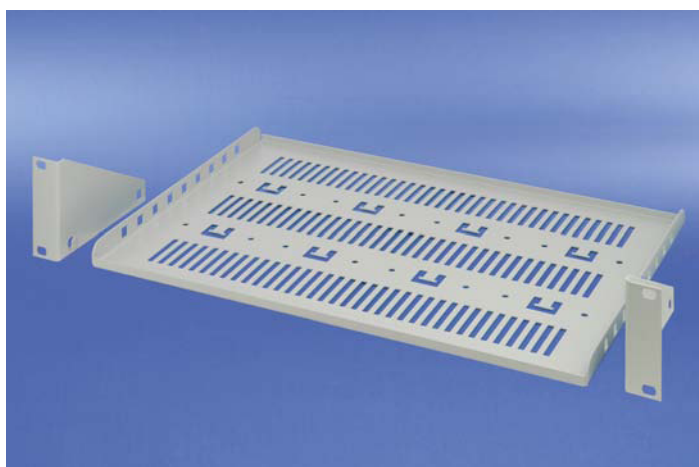
#### Delivery comprises

Item	Qty	Description
1	1	Equipment shelf, St, 1.5 mm

#### Order Information

Width mm	Depth mm	RAL 7035 Part no.
447	238	<b>20118-785</b>
<b>19" assembly kit (screw, washer, nut) PU 1 kit, 4 pieces each</b>		<b>21190-095</b>

### 19" equipment shelf, depth-adjustable, 2 U



00508009

- Static load-carrying capacity 15 kg
- Overall mounting height 2 U
- Depth-adjustable in 25 mm increments (front protrusion min. 26 mm)

#### Delivery comprises (kit)

Item	Qty	Description
1	1	Equipment shelf, St, 1.5 mm
2	2	Mounting bracket with assembly kit, St, 1.5 mm

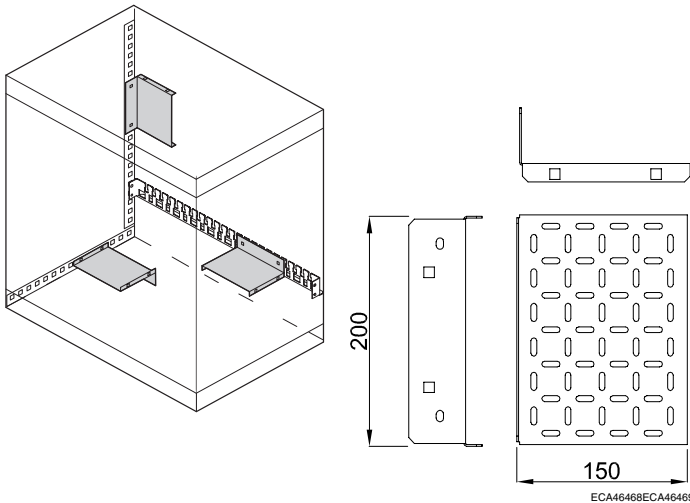
#### Order Information

Width mm	Depth mm	RAL 7035 Part no.
430	250	<b>20118-789</b>
430	300	<b>20118-790</b>
<b>19" assembly kit (screw, washer, nut) PU 1 kit, 4 pieces each</b>		<b>21190-095</b>



## Wall mounted cases - *epcase*

### Modem shelf



- For fixing modems and other devices
- Assembly onto the cable support rail or direct onto the case
- Static load-carrying capacity 3 kg

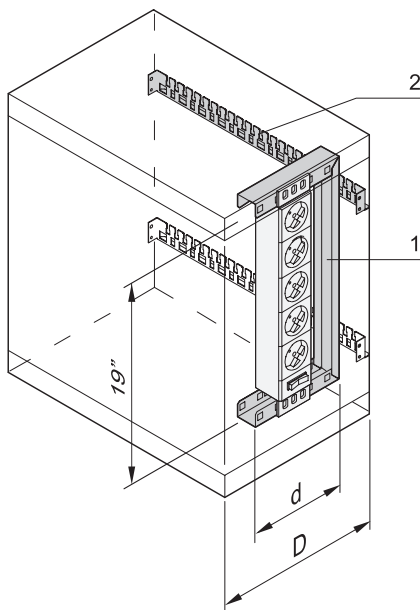
#### Delivery comprises

Item	Qty	Description
1	1	Modem shelf, St, 1.5 mm, RAL 7035
2	1	Assembly kit

#### Order Information

Width mm	Depth mm	Part no.
200	150	<b>21236-122</b>

### Vertical 19" plane



- For lateral, vertical assembly of 19" components
- Useable for case heights from 12 U

#### Delivery comprises (set)

Item	Qty	Description
1	1	Vertical 19" plane, St, 2 mm, RAL 7035
2	1	Cable support rail, St, RAL 7035
3	1	Assembly kit

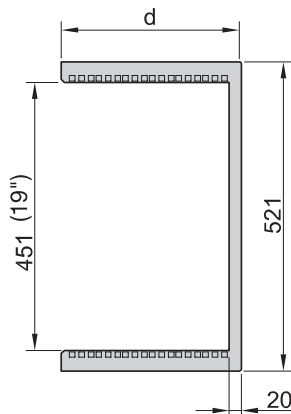
#### Order Information

Height U	d mm	For case depth D mm	Part no.
3	167	300 ... 600	<b>21236-120</b>
6	300	400 ... 600	<b>21236-121</b>



For further information [www.schroff.biz/oneclick](http://www.schroff.biz/oneclick)  
oneClick search code = Part no.

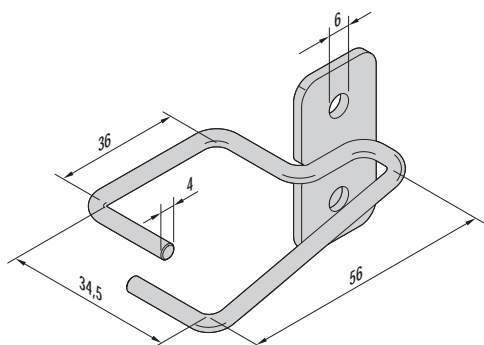
Assembly example with 19" socket strip



ECA46477

## Wall mounted cases - *epcase*

### Cable eye



01505051

- To fix cables laterally on the panel slide mounts

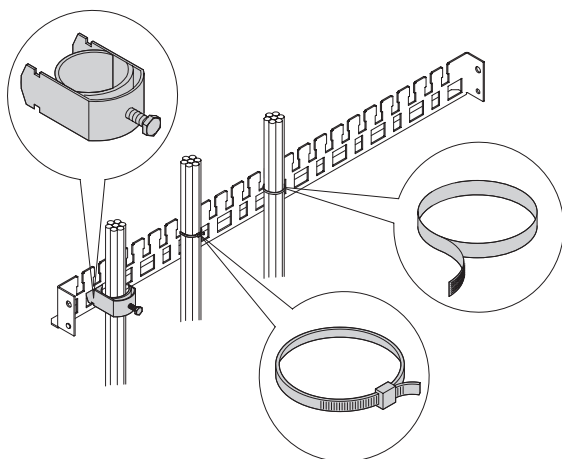
#### Delivery comprises

Item	Qty	Description
1	4	Cable eye, St, 4 mm, zinc-plated
2	1	Assembly kit

#### Order Information

Description	Part no.
Cable eye	<b>21236-102</b>

### Cable support rail



01505052

- For strain relief or cable ducting on rear
- Height-adjustable in 25 mm increments

#### Delivery comprises

Item	Qty	Description
1	1	Cable support rail, St, 1.5 mm, RAL 7035
2	1	Assembly kit

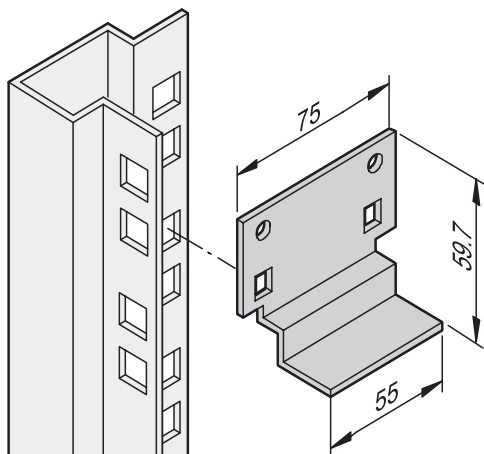
#### Order Information

Description	Part no.
Cable support rail	<b>21236-090</b>
<b>Cable shells</b> for cable bundle 30 ... 34 mm, PU 10 pieces	<b>20114-728</b>
<b>Cable ties</b> 92 mm x 2,5 mm, PU 25 pieces	<b>20118-351</b>
<b>Velcro strip</b> Polyethylen/Polyamide, black, length 300 mm, PU 10 pieces	<b>20118-624</b>

#### Note

- Delivery of the 19" wall mounted case contains a cable support rail

### Short slide rail



sc96xxxx

- Support for heavy 19" chassis
- To attach on 19" slide mounts
- Static load-carrying capacity max. 15 kg per pair

#### Delivery comprises

Item	Qty	Description
1	2 / 10	Short slide rail, St, 1.5 mm, Finish AlZn
2	1	Assembly kit

#### Order Information

Description	Qty/PU	Part no.
Short slide rail	2	<b>23130-094</b>
Short slide rail	10	<b>23130-095</b>



For further information [www.schroff.biz/oneclick](http://www.schroff.biz/oneclick)  
oneClick search code = Part no.

# Wall mounted cases - *epcase*

## 10" wall mounted case



01505007

- Multi functional 10" wall case with hinged side panels
- Cable entry possible from above or below; the cable entry opening can be sealed with a brush strip
- 10" slide mounts are depth-adjustable in 25 mm increments

### Delivery comprises (assembled)

Item	Qty	Description
1	1	Basic case, C-form, St, 2 mm, RAL 7021
2	1	Glazed door with key lock (key no. 2233), frame, St, 1.5 mm, RAL 7035, Sekurit glass, 4 mm
3	2	Side panel, St, 1,5 mm, RAL 7035
4	2	10" panel/slide mounts, St, 1.5 mm, finish AlZn
5	2	Brush strips
6	1	Assembly kit for wall mounting

### Order Information

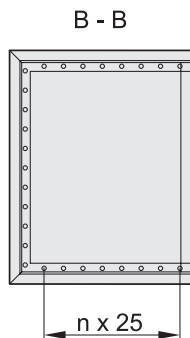
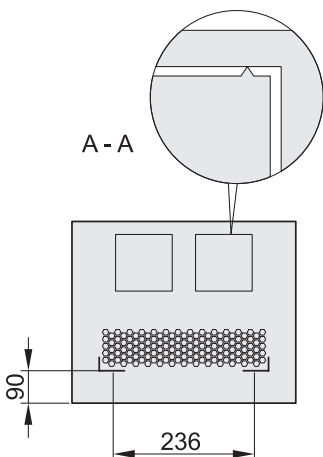
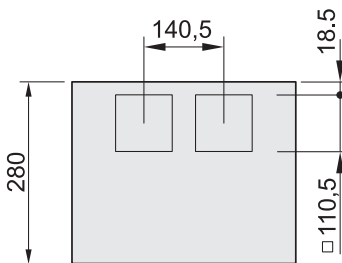
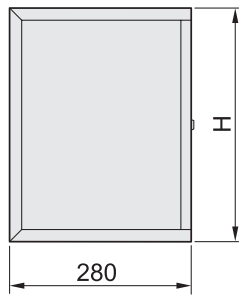
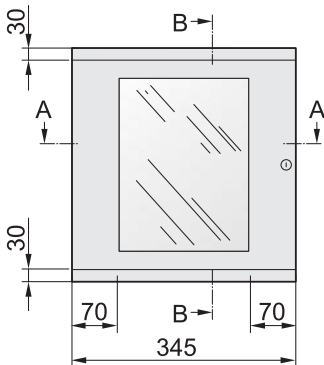
Height U	Height H mm	Width W mm	Depth D mm	Weight kg	Part no.
4	262	345	280	5	<b>10238-151</b>
8	462	345	280	10	<b>10238-152</b>
12	612	345	280	23	<b>10238-153</b>
<b>GND/earthing, PU 1 kit</b>					<b>21236-097</b>
<b>Cable ties 92 mm x 2,5 mm, PU 25 pieces</b>					<b>20118-351</b>
<b>19" assembly kit (screw, washer, nut) PU = 32 x (screws M6, plastic washers, cage nuts)</b>					<b>21190-435</b>
<b>Feet, plastic, black, PU 4 pieces</b>					<b>21236-089</b>

### Note

- Lever handle and DIN profile half cylinder cannot be retrofitted



For further information [www.schroff.biz/oneclick](http://www.schroff.biz/oneclick)  
oneClick search code = Part no.



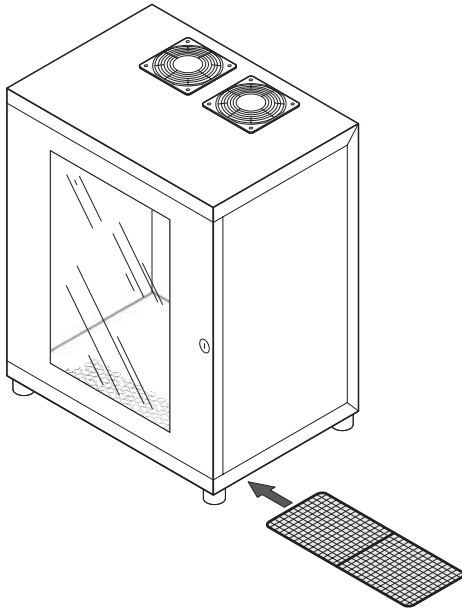
eca46478



ServicePLUS see page 2.56

## Wall mounted cases - *epcase*

### Air filter for 10" wall mounted case



01506050

- Filtering of the inlet air at the bottom of casing
- Assembly below case, easy filter replacement
- Filter class G3

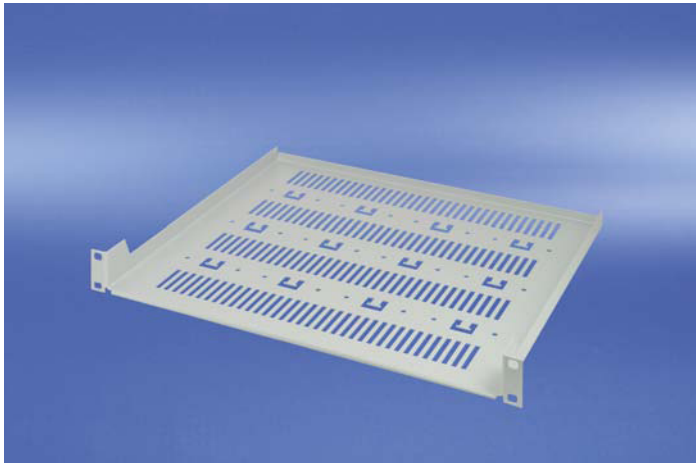
#### Delivery comprises

Item	Qty	Description
1	2	Support bracket, St, 1 mm, RAL 7021
2	3	Filter mat with round steel frame, filter class G3
3	1	Assembly kit

#### Order Information

Description	Part no.
Air filter for 10" wall mounted case	<b>21236-095</b>
Spare filter mat for 10" <i>epcase</i> , PU 3 pieces	<b>21236-126</b>

### Cable support for 10" wall mounted case



00508006

- Static load-carrying capacity 5 kg
- Mounting height 1 U
- Width 10" (254 mm)

#### Delivery comprises

Item	Qty	Description
1	1	Cable support, St, 1.5 mm, RAL 7035
2	1	Assembly kit

#### Order Information

Width mm	Depth mm	Part no.
220	150	<b>20118-716</b>

## Wall mounted cases - *epcase*

### 10" distribution field



01504002

- Distribution field with 8 x RJ 45 ports, category 5
- Height 1 U
- Width 10" (254 mm)

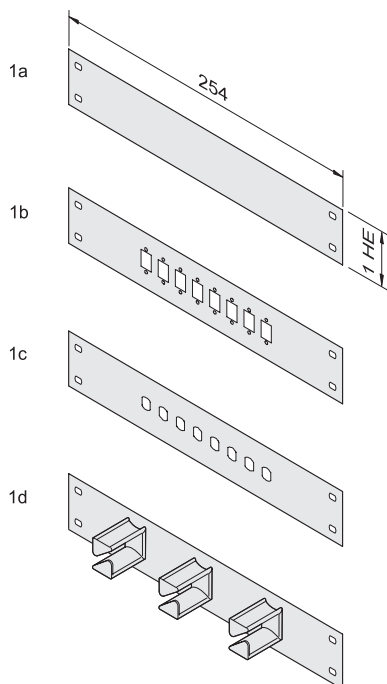
#### Delivery comprises

Item	Qty	Description
1	1	Distribution field, St, 1.5 mm, RAL 7035
2	8	RJ 45 Port

#### Order Information

Description	Part no.
10" distribution field with 8 x RJ 45 ports	<b>60118-378</b>
Assembly kit PU = 8 x screw, washer, nut	<b>21100-435</b>

### 10" front panel



01503053

- Height 1 U
- Width 10" (254 mm)

#### Delivery comprises

Item	Qty	Description
1	1	Front panel, St, 1.5 mm, RAL 7035

#### Order Information

Item	Description	Qty/PU	Part no.
1a	10" blank front panel, St, 1.5 mm, RAL 7035	1	<b>20118-717</b>
1b	10" front panel, 8 ports SC, St, 1.5 mm, RAL 7035	1	<b>20118-713</b>
1c	10" front panel, 8 ports ST, St, 1.5 mm, RAL 7035	1	<b>20118-714</b>
1d	10" front panel, St, 1.5 mm, RAL 7035, with 3 plastic cable eyes, St, 1.5 mm, RAL 7035	1	<b>20118-715</b>
Assembly kit PU = 8 x screw, washer, nut			<b>21100-435</b>

## Wall mounted cases - *epcase*

### 10" socket strip, 1 U



00704001

- Socket strip with four socket inserts
- Mounting bracket for assembly on 10" upright is included in extent of delivery

#### Delivery comprises

Item	Qty	Description
1	1	Socket strip 10", 1 U, 4 socket inserts, 2 m connecting cable with SCHUKO/UTE connector
2	2	Mounting bracket for 10" assembly

#### Order Information

Description	Part no.
10" socket strip, 4 SCHUKO socket inserts	<b>60110-201</b>
Socket strip 10", 4 UTE socket inserts	<b>60110-220</b>
<b>Assembly kit PU = 8 × screw, washer, nut</b>	<b>21100-435</b>



For further information [www.schrack.biz/oneclick](http://www.schrack.biz/oneclick)  
oneClick search code = Part no.

Overview ..... 0

Cabinets ..... 1

Wall mounted cases ..... 2

Accessories for cabinets and wall mounted cases .... 3

Climate control .... 4

Desk-top cases .... 5

Subracks/ 19" chassis ..... 6

Front panels, plug-in units ..... 7

Systems ..... 8

Power supply units ..... 9

Backplanes ..... 10

Connectors, front panel component system ..... 11

Appendix ..... 12

# Wall mounted cases - LAN wall mounted



41801004



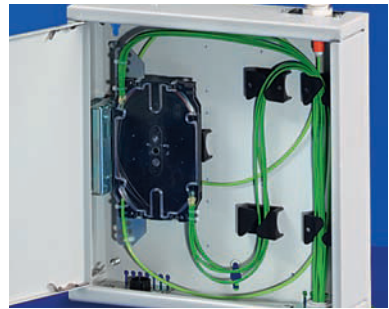
41804001

Door and side panels easily removable



41801005

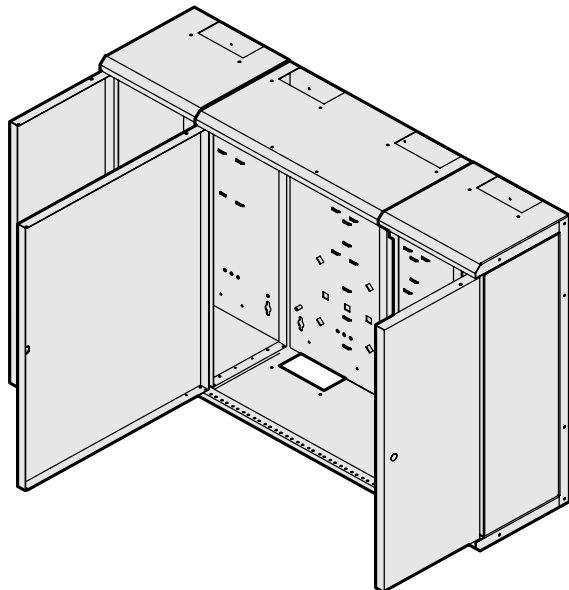
Vertical 19" plane, therefore low case depth



41801006

Storage of excess cable length

## Modularity due to basic case and extension modules



VTW6672

Downloads and further important information can be found on the Internet under [www.schroff.biz](http://www.schroff.biz)



## Wall mounted cases – LAN wall mounted

Overview . . . . 2.46

### Slim wall mounted cases

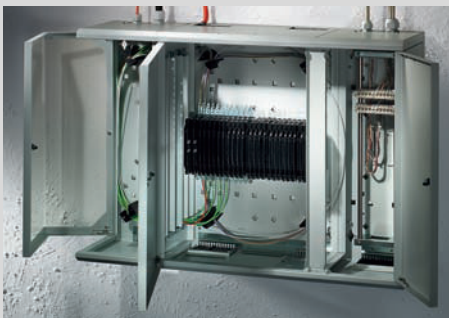
- Ideal as fibre optic cable distributor, 4 U wall distributor or as combination of fibre optic cable, copper and telephone distributor
- Optimal ducting of fibre optic cables
- Door and side panels easily removable
- Upgradeable with extension modules



41801006

#### Fibre optic small case

- Prepared to accommodate up to four splicing cassettes
- Low cabinet depth of 85 mm



41801017

#### Wall distributor, modular

- Modularity due to basic case and extension modules
- Combination of fibre optic cable, copper or telecommunication applications possible
- Low installation depth of 220 mm due to vertical 19" plane



41802002

#### Wall distributor, 4 U, vertical

- Low installation depth of 220 mm due to vertical 19" plane
- Corner door with lateral acrylic glass
- Fan retrofittable



30407004

#### ServicePLUS from page 2.56

- e.g. special colours, special sizes
- e.g. air conditioning
- e.g. fittings, conversions, cut-outs
- e.g. custom solutions

[www.schroff.biz/ServicePLUS](http://www.schroff.biz/ServicePLUS)

#### Small case

- Small case . . . . . 2.48
- Cable ducting for fibre cable . . . . . 2.48
- Insertion plates for splicing cassettes . 2.49
- Splicing cassette . 2.49

#### Modular wall mounted distributor . . .

- Basic case . . . . . 2.50
- Side-by-side module . . . . . 2.51
- Basic cable ducting . . . . . 2.51
- Splicing cassette holders . . . . . 2.52
- Splicing cassette . 2.52
- LSA+ bracket . . . 2.53
- Locking insert . . 2.53
- 19"-bracket . . . . 2.53

#### Wall mounted 4 U distributor . . .

- Wall mounted 4 U distributor . . 2.54
- Cable ducting for fibre cable . . . . . 2.55

#### ServicePLUS . 2.56





## Wall mounted cases – LAN wall mounted

### Fibre optic small case



41801003

- For distribution of fibre optic main cables or as office distributor
- Space for max. 48 fibres

#### Delivery comprises (assembled)

Item	Qty	Description
1	1	Case, St, 1.5 mm, RAL 7035, 2 cable ducting openings top and bottom (without cover)
2	2	Side panel, St, 1 mm, RAL 7035, hinged
3	1	Door, St, 1 mm, RAL 7035, with locking insert 2233-x
4	1	Quadruple splicing cassette holder
5	1	Assembly kit for wall mounting (distance from wall 6.5 mm)

#### Order Information

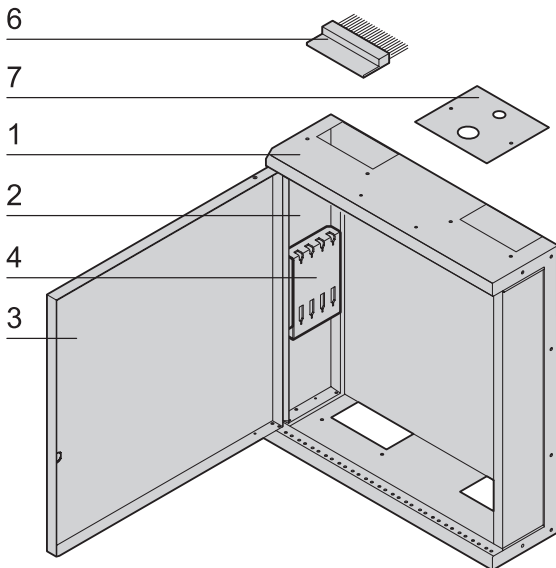
Height mm	Width mm	Depth mm	Part no.
300	300	85	<b>60239-006</b>
Item 6 Brush strip for fibre optic small case, self-adhesive, PU 2 pieces			<b>60239-030</b>
Item 7 Cable ducting plate for fibre optic small case St, 1 mm, zinc-plated, PU 2 pieces			<b>60239-025</b>

#### Note

- To cover the cable entry openings, please order either brush strip or cable ducting plate separately
- Pluggable holder for splicing cassette see page 2.49
- Splicing cassettes, see page 2.49



For further information [www.schroff.biz/oneclick](http://www.schroff.biz/oneclick)  
oneClick search code = Part no.



vltw6684



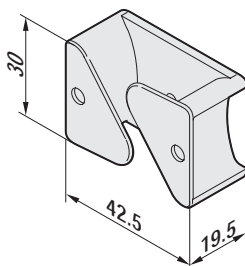
ServicePLUS see page 2.56

### Cable ducting for fibre cable

- For ducting cables with the necessary bending radius

#### Order Information

Description	Description	Part no.
Cable ducting for fibre cable	Plastic, black, PU 4 pieces	<b>60239-020</b>



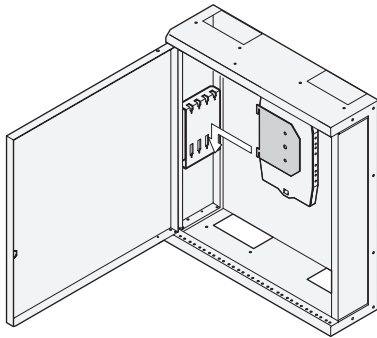
41804051



For further information [www.schroff.biz/oneclick](http://www.schroff.biz/oneclick)  
oneClick search code = Part no.

## Wall mounted cases – LAN wall mounted

### Insertion plate for splicing cassettes



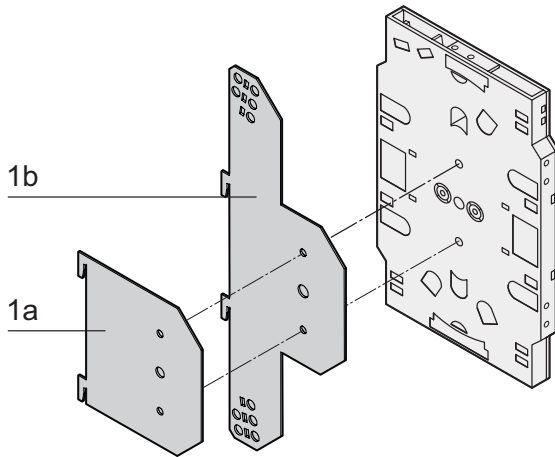
- The splicing cassette is assembled on the push-on plate and subsequently inserted in the splicing cassette holder

#### Delivery comprises

Item	Qty	Description
1	4	Push-on plate, St, 1 mm, zinc-plated
2	8	Holding clip for splicing cassette

#### Order Information

Item	Description	Part no.
Item 1a	Push-on plate without cable ducting	<b>60239-013</b>
Item 1b	Push-on plate with cable ducting for cable ties	<b>60239-014</b>



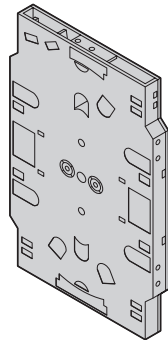
41806050

VTLW6678



For further information [www.schroff.biz/oneclick](http://www.schroff.biz/oneclick)  
oneClick search code = Part no.

### Splicing cassette



Splicing cassette

- Accepts a maximum of 12 splices to the Telecom standards.
- Fibre optic cable splicing cassettes to DIN 47662

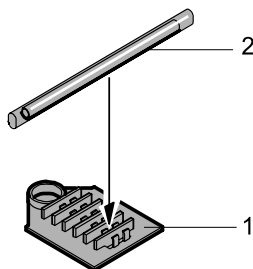
#### Delivery comprises

Item	Qty	Description
1	1	Splicing cassette, plastic, cream white
2	1	Cover, plastic, cream white
3	4	Cable ties

#### Order Information

Description	Part no.
Splicing cassette	<b>60239-062</b>
Item 1 Splice holder, PU 10 pieces	<b>21101-122</b>
Item 2 Splice protection sleeve, length 60 mm, PU 6 pieces	<b>21101-123</b>

VTLW6679



Splice holder (1), splice protection sleeve (2)

#### Note

- Please order splice holder and splice protection sleeves separately

VTLW6679



For further information [www.schroff.biz/oneclick](http://www.schroff.biz/oneclick)  
oneClick search code = Part no.

## Wall mounted cases – LAN wall mounted

### Wall distributor, modular



41801002

The modular case system is used as sub or floor level distributor, for fibre optic applications as well as for distribution of copper or telecommunication applications.

The 220 mm deep basic cases can be extended with side-by-side modules and accessories.

### Basic case



41801001

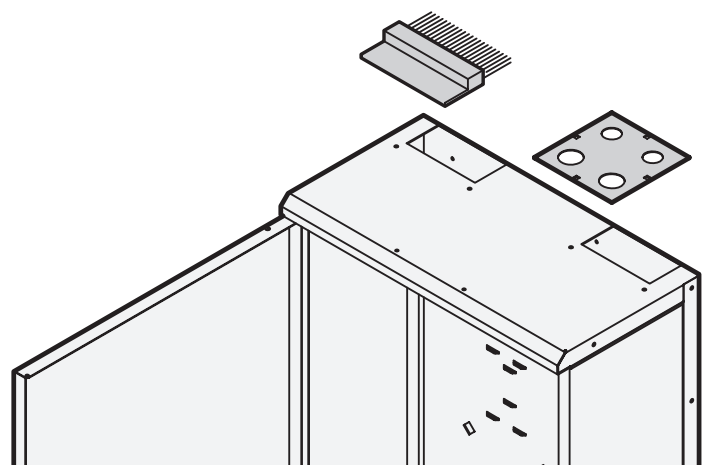
- To accommodate splicing cassette holders, LSA+ holder and/or 19" bracket
- Room for max. 288 fibres and excess cable lengths of up to 1 m

#### Delivery comprises (assembled)

Item	Qty	Description
1	1	Case, St, 1.5 mm, RAL 7035, 2 cable ducting openings top and bottom (without cover)
2	2	Side panel, St, 1 mm, RAL 7035, hinged
3	1	Door, St, 1 mm, RAL 7035, with locking insert 2233-x
4	1	Assembly kit for wall mounting (distance from wall 6.5 mm)

#### Order Information

Height mm	Width mm	Depth mm	Part no.
600	425	220	<b>60239-001</b>
<b>GND/earthing kit for wall-mounted enclosure,</b> sufficient for one basic case and two side-by-side modules			<b>60239-060</b>
<b>Brush strip for wall mounted distributor</b> self-adhesive, PU 2 pieces			<b>60239-031</b>
<b>Cable ducting plate for wall mounted distributor</b> PU 2 pieces			<b>60239-026</b>



VTLW6682



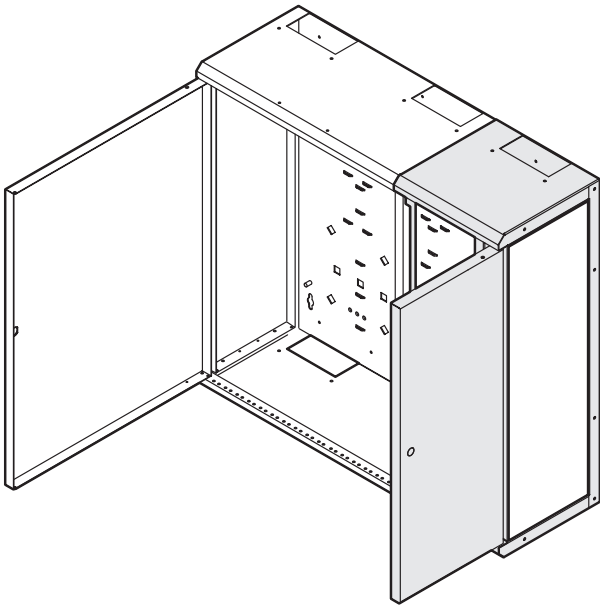
For further information [www.schroff.biz/oneclick](http://www.schroff.biz/oneclick)  
oneClick search code = Part no.



ServicePLUS see page 2.56

## Wall mounted cases – LAN wall mounted

### Side-by-side module



- For side-by-side mounting to basic case, selectively on the right or left
- To accommodate splicing cassette holders or LSA+ holder

#### Delivery comprises (assembled)

Item	Qty	Description
1	1	Side-by-side module, St, 1.5 mm, RAL 7035, 2 cable ducting openings top and bottom
2	1	Door, St, 1 mm, RAL 7035, with locking insert
3	1	Door post
4	1	Assembly kit

#### Order Information

Height mm	Width mm	Depth mm	Part no.
600	225	220	<b>60239-004</b>
Brush strip for wall mounted distributor self-adhesive, PU 2 pieces			<b>60239-031</b>
Cable ducting plate for wall mounted distributor PU 2 pieces			<b>60239-026</b>

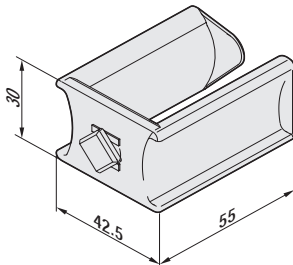


ServicePLUS see page 2.56



For further information [www.schroff.biz/oneclick](http://www.schroff.biz/oneclick)  
oneClick search code = Part no.

### Basic case cable ducting



41804050

- For cable ducting with necessary bending radius
- Assembly by inserting into rear panel of case, then given a quarter turn
- Usable in basic case and side-by-side module

#### Order Information

Description	Part no.
Cable ducting to plug in Plastic, black, PU 4 pieces	<b>60239-021</b>

#### Note

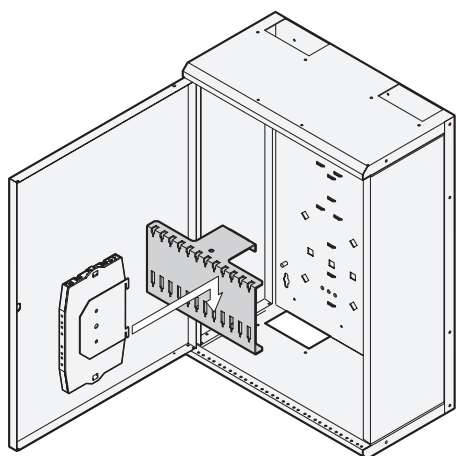
- Not suitable in fibre optic small cases and side-by-side module 4 U



For further information [www.schroff.biz/oneclick](http://www.schroff.biz/oneclick)  
oneClick search code = Part no.

## Wall mounted cases – LAN wall mounted

### Splicing cassette holder



- For retention of splicing cassettes (with mounted insertion plates)
- The splicing cassette holder is hung into the rear panel and secured
- Screwless assembly

#### Order Information

Description	Part no.
Splicing cassette holder	12-fold, St, 1 mm, zinc-plated, 1 piece <b>60239-012</b>
Item 1a Push-on plate without cable ducting	PU 4 pieces <b>60239-013</b>
Item 1b Push-on plate with cable ducting for cable ties	PU 4 pieces <b>60239-014</b>
Cable ties 92 mm x 2,5 mm, PU 25 pieces	<b>20118-351</b>

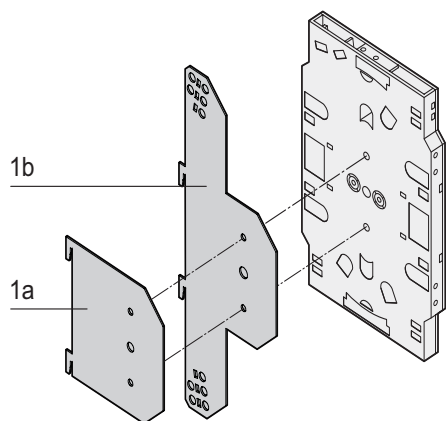
VTLW6677

#### Note

- Please order push-on plates separately



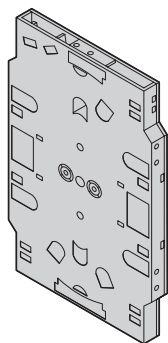
For further information [www.schroff.biz/oneclick](http://www.schroff.biz/oneclick)  
oneClick search code = Part no.



Push-on plates

VTLW6678

### Splicing cassette



Splicing cassette

- Accepts a maximum of 12 splices to the Telecom standards.
- Fibre optic cable splicing cassette to DIN 47662

#### Delivery comprises

Item	Qty	Description
1	1	Splicing cassette, plastic, cream white
2	1	Cover, plastic, cream white
3	4	Cable ties

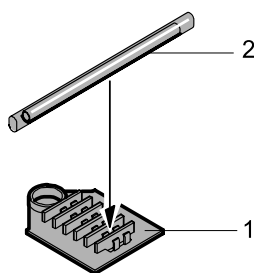
VTLW6679

#### Order Information

Description	Part no.
Splicing cassette	<b>60239-062</b>
Item 1 Splice holder, PU 10 pieces	<b>21101-122</b>
Item 2 Splice protection sleeve, length 60 mm, PU 6 pieces	<b>21101-123</b>

#### Note

- Please order splice holder and splice protection sleeves separately



Splice holder (1), splice protection sleeve (2)

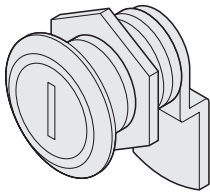
VTLW6679



For further information [www.schroff.biz/oneclick](http://www.schroff.biz/oneclick)  
oneClick search code = Part no.

## Wall mounted cases – LAN wall mounted

### Locking insert for basic case and side-by-side module



41804054

- For replacement of existing inserts of the basic case or the side-by-side module

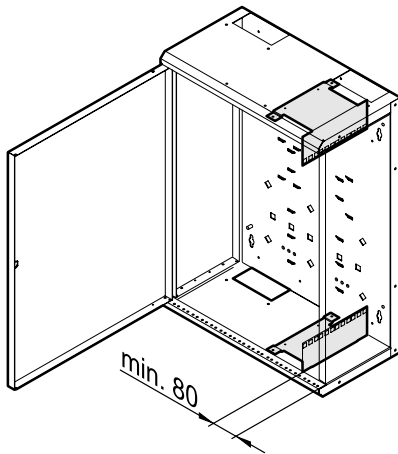
#### Delivery comprises (assembled)

Item	Qty	Description
1	1	Locking insert
2	2	Key

#### Order Information

Description	Qty/PU	Part no.
Locking insert 4343-X	1	<b>60239-053</b>
Locking insert 2233-X (included in the basic case)	1	<b>60239-051</b>
Locking insert 1313-X	1	<b>60239-052</b>

### 19" bracket for basic case



VTLW6685

- For assembly of additional 19" plane in the 4 U basic case
- Depth-adjustable in 20 mm increments

#### Order Information

Description	Part no.
19" bracket for basic case, St, 1.5 mm, RAL 7035, PU 2 pcs	<b>60239-035</b>

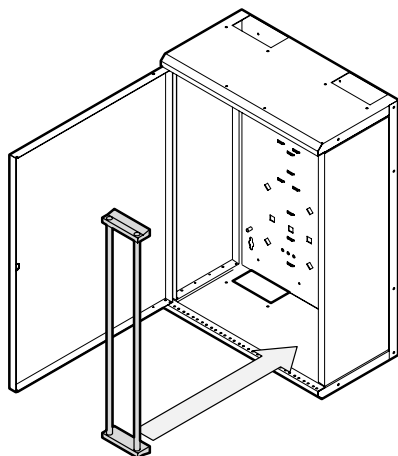
#### Note

- Not suitable in fibre optic-small case and side-by-side module



For further information [www.schroff.biz/oneclick](http://www.schroff.biz/oneclick)  
oneClick search code = Part no.

### LSA+ bracket



41801501

- For retention of LSA+ type connections
- For assembly in basic case or side-by-side module

#### Delivery comprises (kit)

Item	Qty	Description
1	2	Rail holder, St, 1.5 mm, zinc-plated
2	2	Rail, stainless steel
3	1	GND/earthing kit
4	1	Assembly kit

#### Order Information

Description	Part no.
LSA+ bracket	<b>60239-040</b>



For further information [www.schroff.biz/oneclick](http://www.schroff.biz/oneclick)  
oneClick search code = Part no.

## Wall mounted cases – LAN wall mounted

### Wall mounted distributor, 4 U, vertical



41802002



ServicePLUS see page 2.56

- Flat 19" wall mounted enclosure (220 mm deep) for universal cabling system
- Mounting possibilities for distribution panels (copper and fibre optic) or for active components (e.g. switches), up to a depth of max. 300 mm
- Prepared for fan assembly
- Protection class IP 20 (with fitted cover plate closed)

#### Delivery comprises (assembled)

Item	Qty	Description
1	1	Case, St, 1.5 mm, RAL 7035, 2 cable ducting openings at top and bottom (without cover)
2	1	Side panel, St, 1 mm, RAL 7035, with ventilation slots (prepared for fan assembly)
3	1	Corner door, St, 1 mm, RAL 7035, 90° offset, with acrylic glass and lateral locking 2233-x
4	3	Cover plate for cable ducting openings, supplied loose (plain or with ventilation slots, depending on mounting position)
5	1	Brush strip, black, enclosed loose
6	2	19" bracket, St, 1.5 mm, RAL 7035 (4 U, vertical)
7	1	Assembly kit for wall mounting (distance from wall 6.5 mm)
8	1	GND/earthing kit

#### Order Information

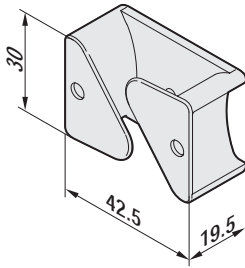
Height mm	Width mm	Depth mm	Part no.
600	425	220	<b>60240-006</b>
230 V <sub>AC</sub> fan with covering grille, 1 piece			<b>20234-822</b>
Thermostat mains connection 230 V <sub>AC</sub> , 1 piece			<b>20118-719</b>
Brush strip for wall mounted distributor self-adhesive, PU 2 pieces			<b>60239-031</b>



For further information [www.schroff.biz/oneclick](http://www.schroff.biz/oneclick)  
oneClick search code = Part no.

## Wall mounted cases – LAN wall mounted

### Cable ducting for fibre cable



- For ducting cables with the necessary bending radius

#### Order Information

Description	Description	Part no.
Cable ducting for fibre cables	Plastic, black, PU 4 pieces	<b>60239-020</b>

41804051



For further information [www.schroff.biz/oneclick](http://www.schroff.biz/oneclick)  
oneClick search code = Part no.



## Wall-mounted cases ServicePLUS



### modification

Custom drilling, cut-outs and special colours for off-the-shelf products

### Small changes. Large impact.

- Custom drilling, special colours, cut-outs for off-the-shelf products from
  - 25 pieces: CONCEPTLINE, INLINE, QLINE, A48, LAN wall-mounted cases
  - from 10 pieces: epcase, tecnopac
- Further information: [www.schroff.co.uk/modification](http://www.schroff.co.uk/modification)



### solution

Integration and custom developments

### Simple. Fast. From one source.

- Special sizes, custom solutions, printing:
  - from 25 pieces: CONCEPTLINE, INLINE, QLINE, A48, LAN wall-mounted cases
  - from 10 pieces: epcase, tecnopac
- Integration: equipment, internal mounting, wiring
- Further information: [www.schroff.co.uk/solution](http://www.schroff.co.uk/solution)

## ServicePLUS solution - project examples



40508001

### Plastic case A48 or QLINE

- Plain or glazed doors
- Individual printing, cut-outs, with PG screw fitting or with complete assembly



40708001

### Steel case INLINE

- Terminal case or installation case with support rails or mounting plates with customised depth bolts
- Cut-outs and drillings marked with specified printing; paint-free contact area for installed components

## Wall-mounted cases ServicePLUS

### ServicePLUS solution - project examples



41108003

#### CONCEPTLINE in special colour (RAL 3027)

- Steel case with high protection degree IP 66
- Mounting plate with hole grid to fix assemblies
- Lever handle with optional DIN cylinder



41108002

#### CONCEPTLINE control module

- Vehicle data processor in CONCEPTLINE case (IP 66)
- Internal mounting on basis of europacPRO subrack with individually machined front panels



41108001

#### CONCEPTLINE communication module

- CONCEPTLINE case with heat exchanger (IP 55)
- Internal mounting on basis of europacPRO subrack and backplane for the digital GSM-R communication network