



CONNECT AND PROTECT

Eurorack

12/2022


nvent

SCHROFF

Cabinets – Eurorack

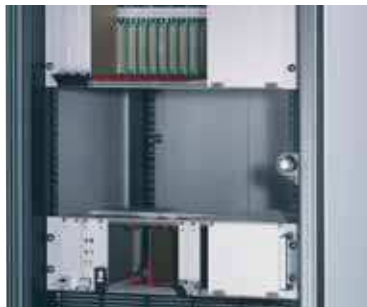
OVERVIEW

MAIN CATALOG

- Cabinets 1
- Wall mounted cases 2
- Accessories for cabinets and wall mounted cases . . 3
- Climate control . . 4
- Electronics cases 5
- Subracks/ 19" chassis 6
- Front panels, plug-in units 7
- Systems 8
- Power supply units 9
- Backplanes 10
- Connectors, front panel component system 11
- Appendix 12



00105003



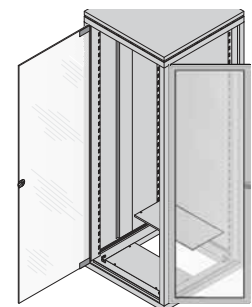
19" grid integrated in upright

00105004



Simple solution for shortened doors

00105005



Doors can also be assembled laterally

00105066

STANDARDS/CERTIFICATIONS

- External and internal dimensions in accordance with IEC 60297-3-100
- Type of ingress protection: IP 40, in accordance with IEC 60529
- Protective GND/earthing connections in accordance with DIN EN 50178/VDE 0160

Cabinets – Eurorack

OVERVIEW

19" ELECTRONIC CABINET

- Type of ingress protection up to IP 40
- Bolted frame, die-castings and aluminium profiles, with inset covers
- Static load-carrying capacity 400 kg
- New colours: RAL 7021 (black grey) or RAL 7021/RAL 7035 (black grey/light grey) colour combination

CABINET WITH FRONT AND REAR DOOR



- 38 and 43 U
- Depth 600 and 800 mm

CABINET WITHOUT FRONT AND REAR DOOR



- 34, 38, 43 and 47 U
- Depth 600 and 800 mm

SERVICEPLUS

- e.g. individual configuration and assembly
- e.g. modifications (special colours or sizes)
- e.g. variants of uprights
- e.g. custom solutions (electromagnetically shielded applications)

Overview 1.270

Introduction 1.272

Dimensions 1.274

eurorack

19" cabinets with front and rear door . 1.276

19" cabinets without front and rear door . 1.277

Front/rear doors ... 1.278

Door hinge bracket for shortened doors 1.279

Base plates 1.280

Bases/plinths 1.280

Cable ducting with C-profiles 1.282

Cable eyes for C-profile 1.283

Slide rails 1.284

Cable ties 1.283

Fixed/telescopic shelves 1.285

Cable trays 1.287

Cable ties 1.288

Velcro 1.288

ServicePLUS configuration 19" eurorack 1.289

ServicePLUS configuration Universal eurorack . 1.300

Cabinets – Eurorack

EURORACK - THE "CLASSIC"



00108005

Handsome to behold is this classic among electronics cabinets, and with good reason. Its load-bearing frame consists of a die-cast aluminium frame and aluminium uprights whose fluting gives the impression of classical pillars. Thus in eurorack - and also in NOVASTAR - the cladding parts are not fitted externally on the frame but rather inside between the frame and uprights. Thus they remain visible and give the cabinet its unmistakable look.

The cabinet is available in two colour schemes.

The basic frame and top cover are always in black grey (RAL 7021). With black grey claddings (side panels, doors and rear panels) you get an entirely black cabinet, as it is the contemporary look in recording studios and data centres.

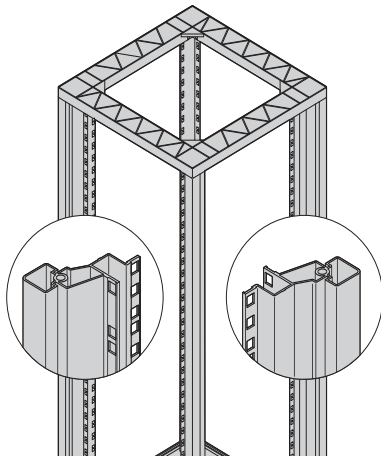
Alternatively, select the cladding components in light grey (RAL 7035). The different colours of the frame and lateral parts give particular emphasis to the aluminium profile.

Wholly classical yet timelessly modern!

Cabinets – Eurorack

EURORACK - FRAMES

19" frame



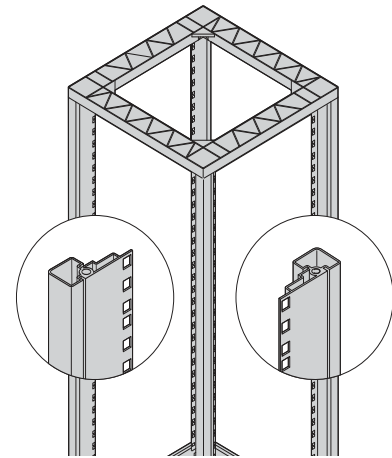
00108058

Unlike with other cabinet concepts, where the height of a cabinet is determined by common mm intervals in its exterior dimensions, eurorack is systematically oriented along the interior dimensions, using the height units of the 19" system. 19" components are thus flush in height with the frame and without disruptive gaps.

So that likewise no gaps occur in the width there is the 19" frame, with the 19" plane already integrated in the vertical cabinet uprights. When fully equipped with 19" components, the cabinet therefore looks superb without any cover trims, decorative frames or doors.

Nevertheless, if a door is required, the eurorack glazed door is a clear design option, with 60 mm space in front of the 19" mounting for assembly.

Universal frame

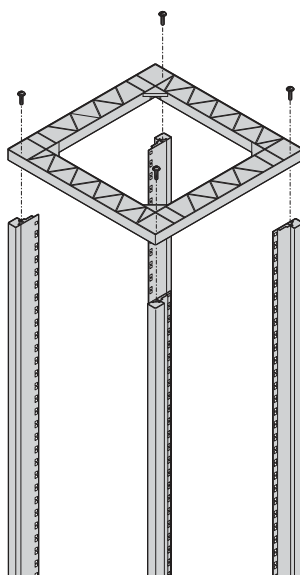


01008059

If more space is required in front of the 19" plane, the user can fall back on the Universal frame and fit separate 19" panel/slide mounts. These can then be positioned at 25 mm intervals on the depth members.

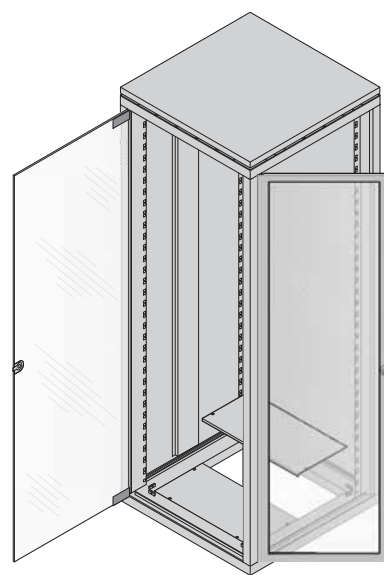
However, 800 mm wide cabinets can also be realised using the Universal frame. For example, equipped with shelves for the greatest possible surface or with components that require more flexibility than 19" technology.

FURTHER FEATURES



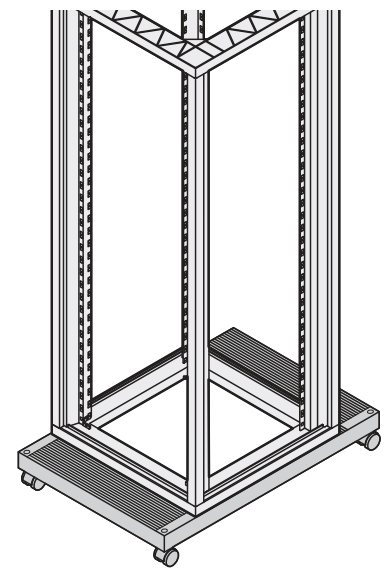
00108060

Die-cast frame and frame are bolted; the cabinet can thus be dismantled



00105066

Because of their symmetrical upright dimensions, doors can also be used on the sides.

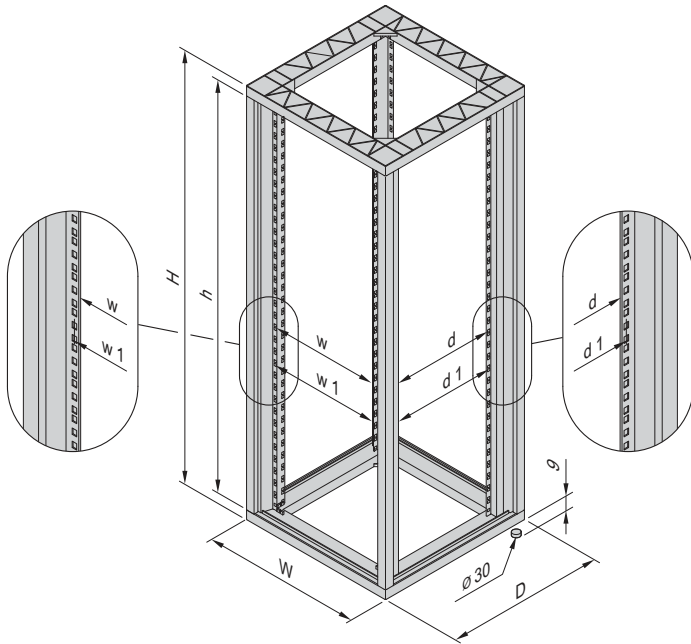


00108052

Mobility with mobile base

Cabinets – Eurorack

DIMENSIONS 19" FRAME



Height

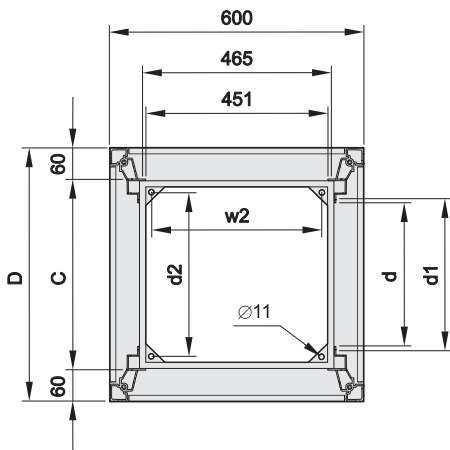
H with feet mm	H without feet mm	Usable height h U	mm
998	989	20	890.5
1220	1211	25	1112.5
1398	1389	29	1290.5
1620	1611	34	1512.5
1798	1789	38	1690.5
2020	2011	43	1912.5
2198	2189	47	2090.5

Width

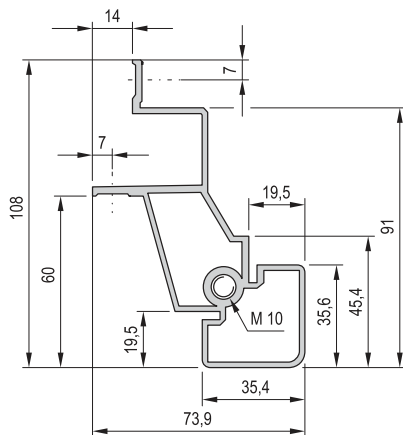
Cabinet width W	Upright distance w	Bolt-on dimension w1	Distance between feet w2
mm	mm	mm	mm
600	451	465	502

Depth

Cabinet depth D	C-dimension c	Upright distance d	Bolt-on dimension d1	Distance between feet d2
mm	mm	mm	mm	mm
600	480	382	396	444
800	680	582	596	644
900	780	682	696	744

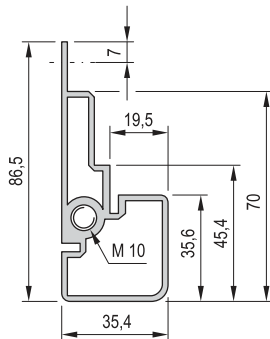
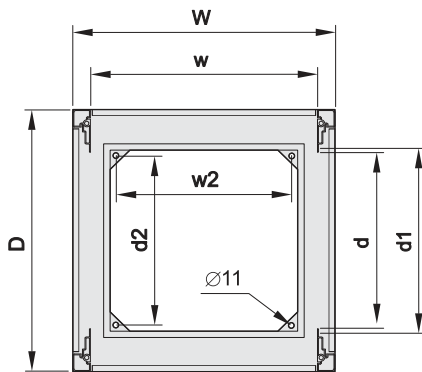
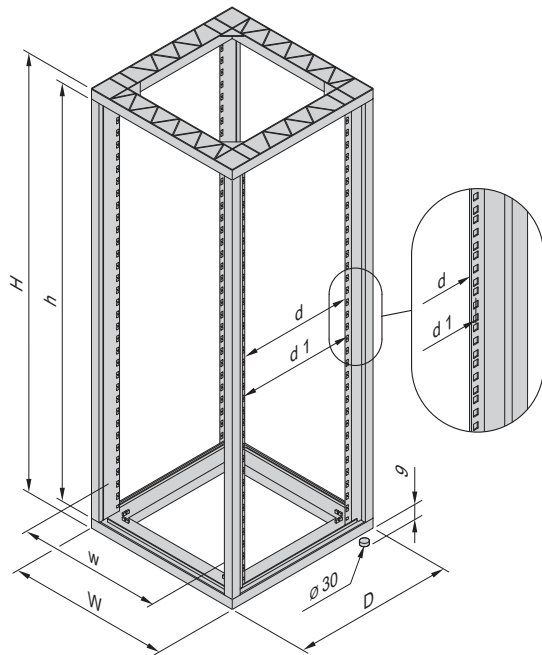


Upright 60 mm recessed



Cabinets – Eurorack

DIMENSIONS UNIVERSAL FRAME



Height

H with feet mm	H without feet mm	Usable height h U	mm
998	989	20	890.5
1220	1211	25	1112.5
1398	1389	29	1290.5
1620	1611	34	1512.5
1798	1789	38	1690.5
2020	2011	43	1912.5
2198	2189	47	2090.5

Width

Cabinet width W mm	Upright distance w mm	Distance between feet w2 mm
600	528	502
800	728	702

00105056

Depth

Cabinet depth D mm	Upright distance d mm	Bolt-on dimension d1 mm	Distance between feet d2 mm
600	426	440	444
800	626	640	644
900	726	740	744

00105059

00106052

Cabinets – Eurorack

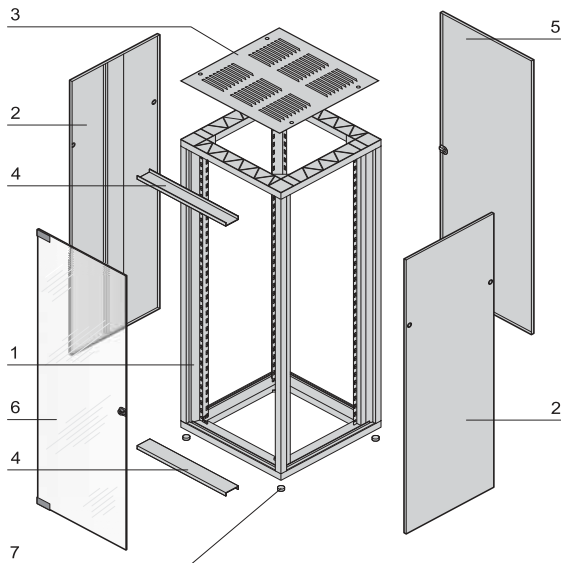
19" CABINET WITH FRONT AND REAR DOOR



- Front: smoked glass door, rear: steel door
- 19" cut-outs in front and rear uprights
- Inset covers
- Type of protection IP 40
- Available in two colour combinations:
 - Frame, side panels, door and top cover in black grey (RAL 7021)
 - Frame and top cover in black grey (RAL 7021), side panels and door in light grey (RAL 7035)

DELIVERY COMPRISES (assembled)

Item	Qty	Description
1	1	19" frame, consisting of 2 Al die-cast frames, RAL 7021, 4 Al extrusion uprights with 19" cut-outs
2	2	Side panel, St, 1 mm, fixes with 2 side panel catches per panel, colour RAL 7021 (black grey) or RAL 7035 (light grey) see Order information
3	1	Top cover with vents, St, 1.5 mm, RAL 7021
4	2	Trims, St, 1 mm, RAL 7021 (for decorative finishing at the top and at the bottom of the front assembly area)
5	1	Rear door, St, 1 mm, opening angle 120°, safety lock with 2 keys Colour RAL 7021
6	1	Glass door, Sekurit, 6 mm, smoke grey, opening angle 120°, safety lock with 2 keys
7	4	Foot, Al



00108002

ORDER INFORMATION

Usable height	Height H	Width W	Depth D	C	Colour RAL 7021	ColourRAL 7021/RAL 7035
U	mm	mm	mm	mm	Part no.	Part no.
38	1798	600	600	480	10117-537	10117-533
38	1798	600	800	680	10117-538	10117-535
43	2020	600	600	480	10117-539	10117-534
43	2020	600	800	680	10117-540	10117-536

GND/earthing for frame, doors, side panels, top cover and base plate, PU 1 kit **21101-539**

Lifting eyes St, zinc-plated, M10, PU 4 pieces **20117-080**

Adjustable feet Load-carrying capacity 100 kg/foot, St and PA, black, PU 4 pieces **21101-201**

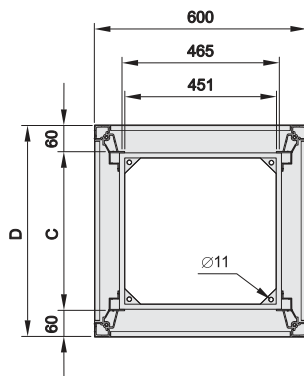
Castors Load-carrying capacity 100 kg/castor, PU 4 pcs **20117-024**

Castors Load-carrying capacity 60 kg/castor, PU 4 pcs **20117-757**

NOTE

- Please order base/plinth separately, see page 1.280
- Other sizes available on ServicePLUS configuration, see from page 1.289
- Please find the new generation of 19" aluminium electronics cabinets under NOVASTAR, page 1.240

00105060



00105067

Cabinets – Eurorack

19" CABINET WITHOUT FRONT AND REAR DOOR



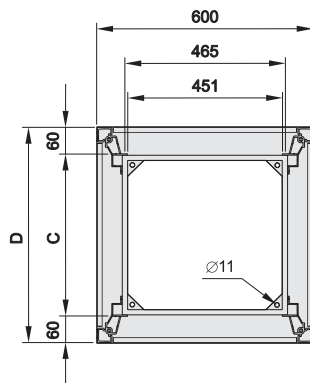
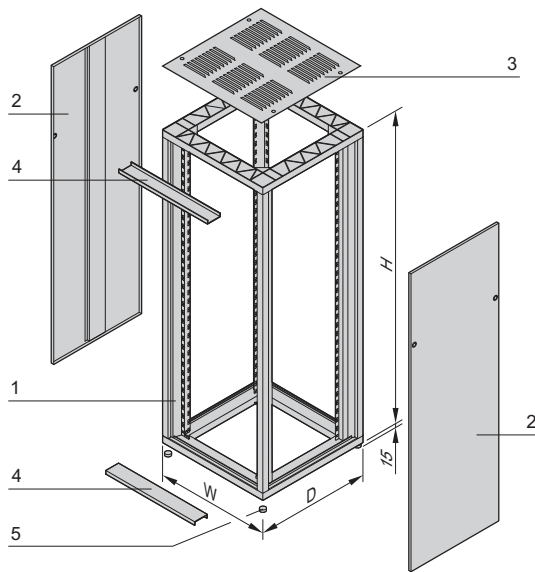
- Door combination freely selectable
- 19" cut-outs in front and rear uprights
- Inset covers
- Available in two colour combinations:
 - frame, side panels and top cover in black grey (RAL 7021)
 - frame and top cover in black grey (RAL 7021) side panels in light grey (RAL 7035)

DELIVERY COMPRISES (assembled)

Item	Qty	Description
1	1	19" frame, consisting of 2 Al die-cast frames, RAL 7021, 4 Al extrusion uprights with 19" cut-outs
2	2	Side panel, St, 1 mm, fixes with 2 side panel catches per panel, colour RAL 7021 (black grey) or RAL 7035 (light grey) see Order information
3	1	Top cover with vents, St, 1.5 mm, RAL 7021
4	2	Trim, St, 1 mm, RAL 7021 (for decorative finishing at top and bottom of front assembly area)
5	4	Foot, Al

ORDER INFORMATION

Usable height	Height H	Width W	Depth D	C	Colour RAL 7021	Colour RAL 7021/RAL 7035
U	mm	mm	mm	mm	Part no.	Part no.
34	1567	600	600	480	10117-541	10117-527
34	1567	600	800	680	10117-544	10117-530
38	1798	600	600	480	10117-542	10117-528
38	1798	600	800	680	10117-545	10117-531
43	2020	600	600	480	10117-543	10117-529
43	2020	600	800	680	10117-546	10117-532
47	2198	600	800	680	10117-547	10117-548
GND/earthing for frame, doors, side panels, top cover and base plate, PU 1 kit						21101-539
Lifting eyes St, zinc-plated, M10, PU 4 pieces						20117-080
Adjustable feet Load-carrying capacity 100 kg/foot, St and PA, black, PU 4 pieces						21101-201
Castors Load-carrying capacity 100 kg/castor, PU 4 pcs						20117-024
Castors Load-carrying capacity 60 kg/castor, PU 4 pcs						20117-757

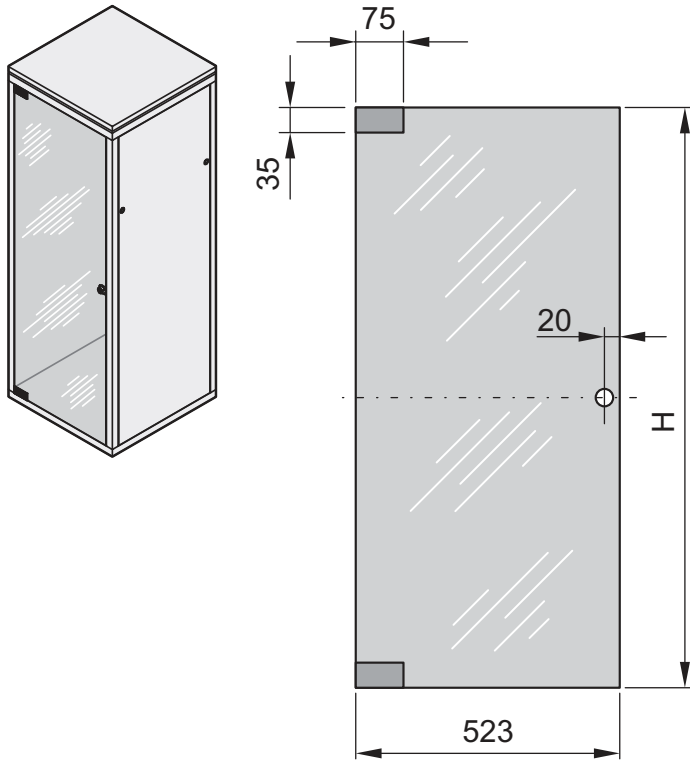


NOTE

- Please order base/plinth separately, see page 1.280
- Please order front and rear door separately, see page 1.278
- Other sizes available on ServicePLUS configuration, see from page 1.289
- Please find the new generation of 19" aluminium electronics cabinets under NOVASTAR, page 1.240

Cabinets – Eurorack

GLASS DOOR, 120° OPENING ANGLE



- Can be assembled on all four sides
- Opening angle 120°

DELIVERY COMPRISES

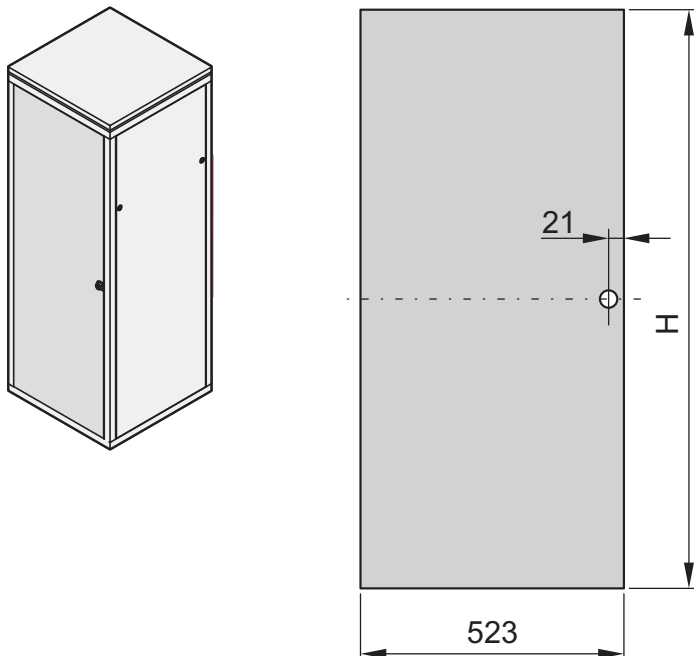
Item	Qty	Description
1	1	Glass door, Sekurit, 6 mm, smoke grey
2	1	Safety lock with 2 keys
3	2	Hinge, St, 3 mm, black (RAL 9005)
4	1	Assembly kit

ORDER INFORMATION

For cabinet height mm	Usable height U	H mm	For cabinet width mm	Part no.
782	16	733	553	20117-744
945	20	911	553	20117-745
1167	25	1133	553	20117-746
1290	29	1311	553	20117-747
1567	34	1534	553	20117-748
1798	38	1711	553	20117-749
2020	43	1934	553	20117-751
2198	47	2111	553	20117-752

- Doors with opening angle 180° see page 1.291
- Further dimensions available on ServicePLUS, see from page 1.291

STEEL DOOR, 120° OPENING ANGLE



- Can be assembled on all four sides
- Opening angle 120°
- Colour black grey (RAL 7021) or light grey (RAL 7035)

DELIVERY COMPRISES

Item	Qty	Description
1	1	Steel door, St, 1 mm
2	1	Safety lock with 2 keys
3	1	Assembly kit

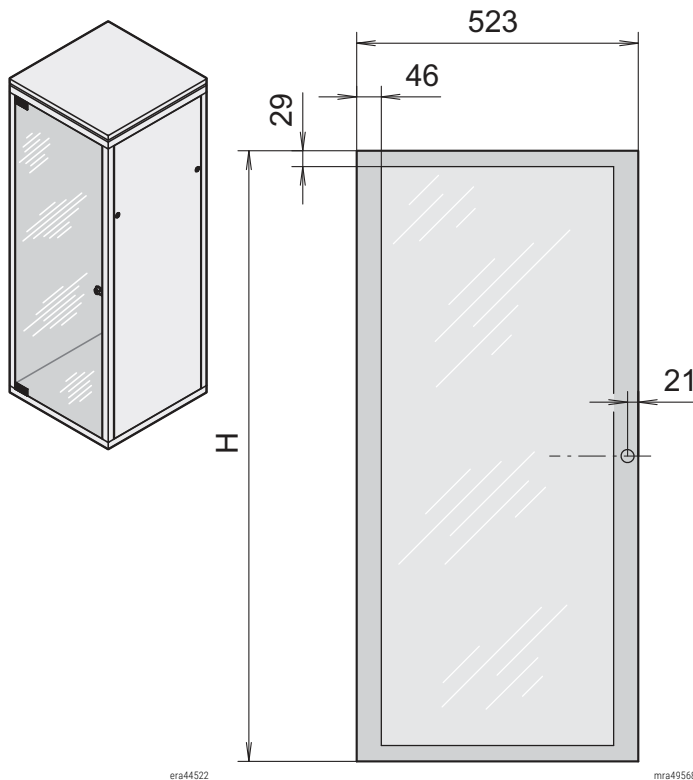
ORDER INFORMATION

For cabinet height mm	Usable height U	H mm	For cabinet width mm	Colour RAL 7021 Part no.	ColourRAL 7035 Part no.
767	16	733	600	22117-934	21117-184
945	20	911	600	22117-935	21117-185
1167	25	1133	600	22117-936	21117-186
1290	29	1311	600	23117-012	21117-187
1567	34	1534	600	22117-937	21117-188
1798	38	1711	600	22117-938	21117-189
2020	43	1934	600	22117-940	21117-190
2198	47	2111	600	22117-942	21117-191

- Further dimensions available on ServicePLUS, see from page 1.292
- **180°** steel door with lever handle see ServicePLUS configuration, page 1.292

Cabinets – Eurorack

GLAZED DOOR, 120° OPENING ANGLE



- Can be assembled on all four sides
- Opening angle 120°
- Frame colour: black grey (RAL 7021) or light grey (RAL 7035)

DELIVERY COMPRISES

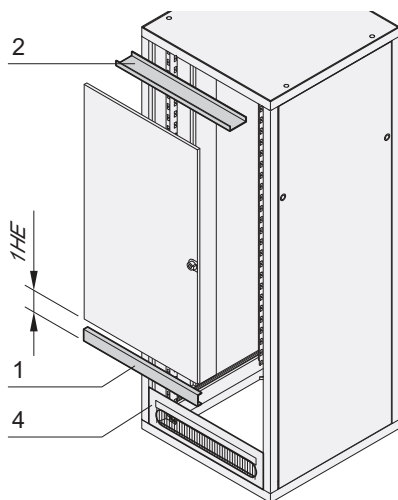
Item	Qty	Description
1	1	Door frame, Al, 2 mm, RAL 7035
2	1	Plexiglass pane, 2 mm, clear
3	1	Safety lock with 2 keys
4	1	Assembly kit

ORDER INFORMATION

For cabinet height mm	Usable height U	H mm	For cabinet width mm	Colour RAL 7021 Part no.	Colour RAL 7035 Part no.
782	16	733	600	22117-943	20117-769
945	20	911	600	22117-944	20117-770
1167	25	1133	600	22117-945	20117-771
1290	29	1311	600	23117-011	20117-772
1567	34	1534	600	22117-946	20117-765
1798	38	1711	600	22117-947	20117-766
2020	43	1934	600	22117-949	20117-767
2198	47	2111	600	22117-951	20117-768

- Further dimensions available on ServicePLUS configuration, see page 1.292

DOOR HINGE BRACKET FOR SHORTENED DOORS



- For doors which do not cover the full cabinet height
- 1 U space required (may be mounted above and below the door)
- The clearance can be covered with 19" filler panels or with cable ducting plates 3 U/4 U

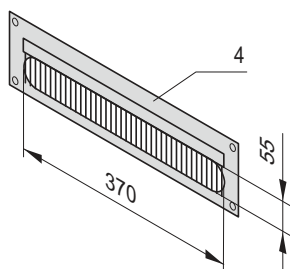
DELIVERY COMPRISES (kit)

Item	Qty	Description
1	1	Door hinge bracket, 19", St, 1.5 mm, RAL 7021
2	1	Trim, St, 1 mm, RAL 7021, cover for frame
3	1	Assembly kit

ORDER INFORMATION

Description	Part no.
Door hinge bracket for shortened doors	22117-798
Item 4 Cable ducting 3 U , RAL 7021, with brush strip and fixing materials kit, 1 piece	20118-796
Item 4 Cable ducting 4 U , RAL 7021, with brush strip and fixing materials kit, 1 piece	20118-797

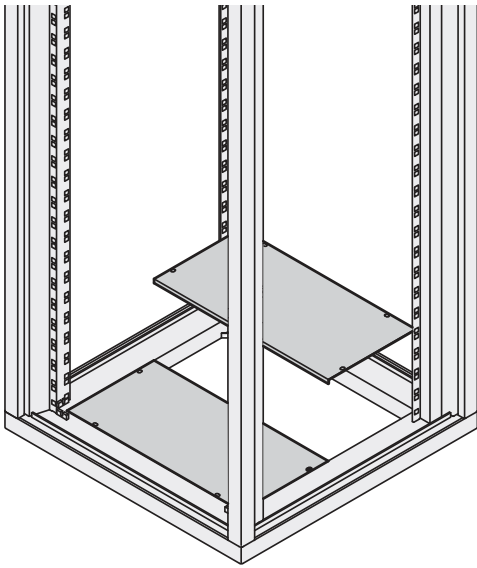
- 19" front panels see chapter Cabinet Accessories, page 3.2



Cable ducting plate

Cabinets – Eurorack

BASE PLATES



00108051

- For covering the base opening, two parts
- Mounting on frame, overlaying

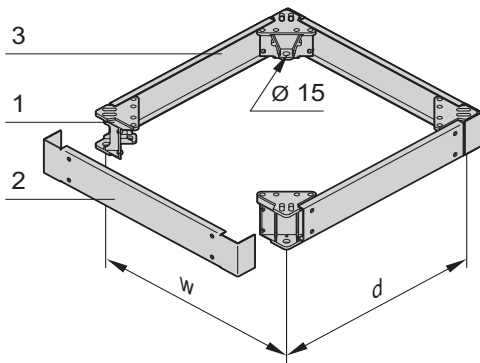
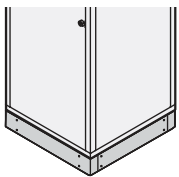
DELIVERY COMPRISES

Item	Qty	Description
1	2	Base plate, St, 1.5 mm, RAL 7021, width 469 mm, depth 234 mm (at cabinet depth 600 mm), depth 334 mm (at cabinet depth 800 mm)
2	1	Assembly kit

ORDER INFORMATION

For cabinet width mm	For cabinet depth mm	Part no.
600	600	22117-826
600	800	22117-827

PLAIN BASES/PLINTHS



ERA44532 00108057

- Height 100 mm
- Covers removable from all sides

DELIVERY COMPRISES

Item	Qty	Description
1	4	Corner piece, Al die-cast
2	2	Cover, St, 2.5 mm, RAL 7021, for front and rear
4	2	Cover, St, 2.5 mm, RAL 7021, for sides
4	1	Assembly kit

ORDER INFORMATION

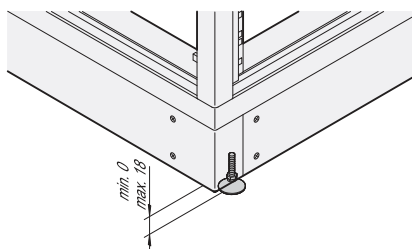
For cabinet width mm	For cabinet depth mm	Part no.
600	600	22117-830
600	800	22117-831

Adjustable feet Load-carrying capacity 100 kg/foot, St and PA, black, PU 4 pieces

21101-201

NOTE

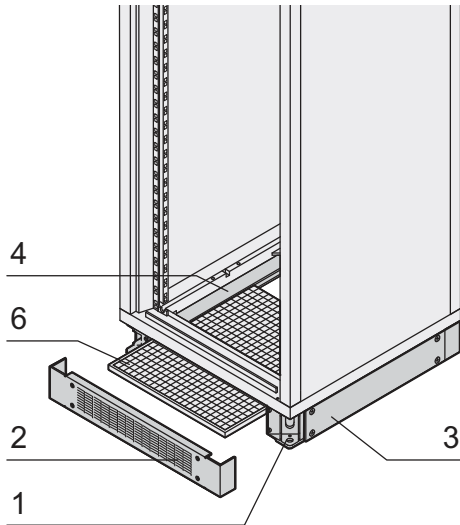
- Castors cannot be used with a base/plinth



era44553

Cabinets – Eurorack

BASES/PLINTHS WITH VENTILATION



- Height 100 mm
- Covers removable on all sides
- Can be assembled with filter

DELIVERY COMPRISES (Kit)

Item	Qty	Description
1	4	Corner piece, Al die-cast
2	2	Cover, St, 2.5 mm, RAL 7021, for front and rear, with vent slots
3	2	Cover, St, 2.5 mm, RAL 7021, for sides
4	2	Filter retention
5	1	Assembly kit

ORDER INFORMATION

For cabinet width mm	For cabinet depth mm	Part no.
600	600	22117-864
600	800	22117-865
Filter mat Item 6 for cabinet depth 600 mm, width 600 mm, PU 3 pieces		60114-514
Filter mat Item 6 for cabinet depth 800 mm, width 600 mm, PU 3 pieces		60114-515

ERTP0057

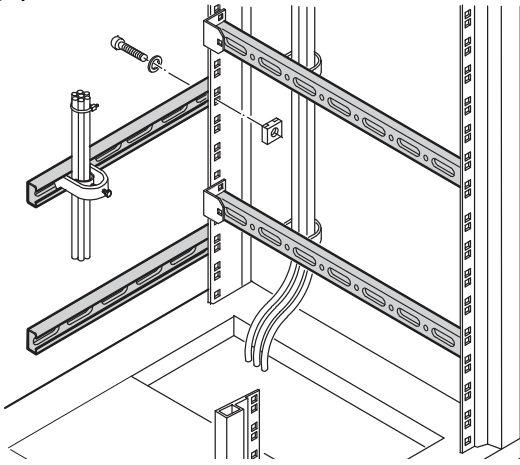
NOTE

- Filter mat not included, please order separately

Cabinets – Eurorack

MOUNTING SYSTEM WITH C-PROFILES

Mounting system



ertp0020

- The mounting system serves for assembly of horizontal and vertical mounting planes; C-profiles can be positioned freely by using combination and L-brackets in conjunction with slide nuts
- Slide nuts, cable eyes or cable shells can be inserted directly into the C-profiles

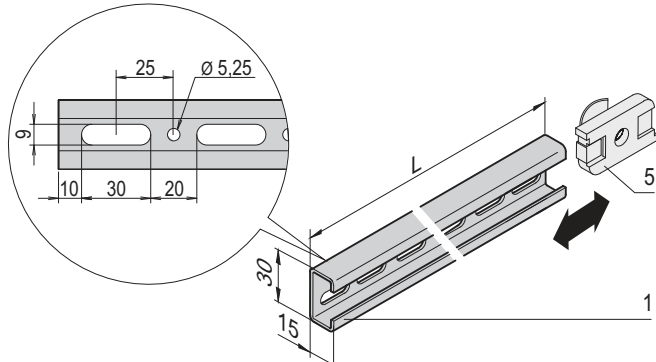
DELIVERY COMPRISES

Item	Qty	Description
1	see Order Information	C-profile, St, 1.5 mm, finish AlZn

ORDER INFORMATION

For cabinet width mm	For cabinet depth mm	For cabinet height mm	Length L mm	Qty/PU piece	Part no.
600	600	–	450	4	22114-455
600	800	–	650	4	22114-457
600	900	–	750	4	22114-458
800	600	–	650	4	22114-457
800	800	–	650	4	22114-457
–	–	1600	1500	2	22114-460
–	–	1800	1650	2	22114-461
–	–	2000	1900	2	22114-462

C-profile/slide nut



ertp0021

Item 2 Mounting bracket for cabinet upright or depth member assembly, St, 2.5 mm, zinc-plated, PU 4 pieces, incl. assembly kit **21120-145**

Item 3 Combination bracket for connection of two C-profiles, St, 2.5 mm, zinc-plated, PU 4 pieces, incl. assembly kit **21120-146**

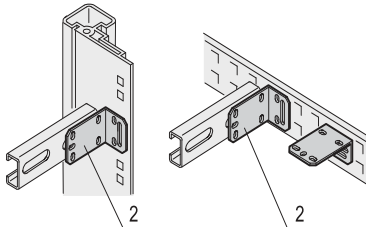
Item 4 L-bracket for edge-to-edge or corner connection of two C-profiles, St, 2.5 mm, zinc-plated, 2 right hand brackets and 2 left hand brackets, incl. assembly kit **21120-147**

Item 5 Slide nut for C-profiles, PU 10 pieces **21120-140**

Item 5 Slide nut for C-profiles, PU 100 pieces **21101-127**

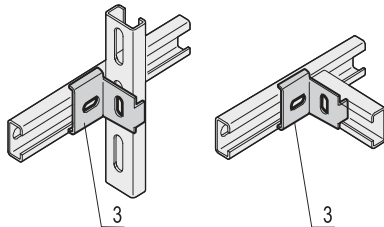
Delivery: supplied loose with cabinet or frame Part no./35

Mounting bracket



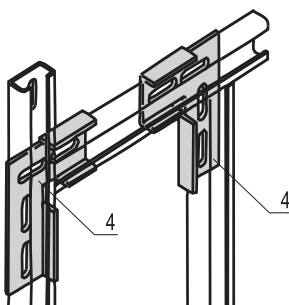
ertp0022

Combination bracket



ertp0024

L-bracket



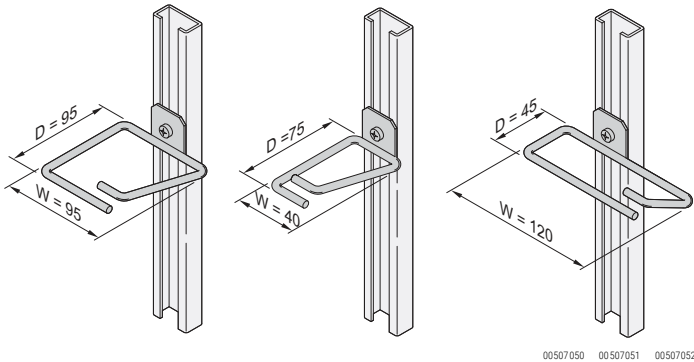
ertp024a

NOTE

- Please order mounting brackets separately

Cabinets – Eurorack

CABLE EYES FOR C-PROFILES



DELIVERY COMPRISES

Item	Qty	Description
1	4	Cable eye, round steel, 6 mm, zinc-plated, with integrated anti-rotation protection

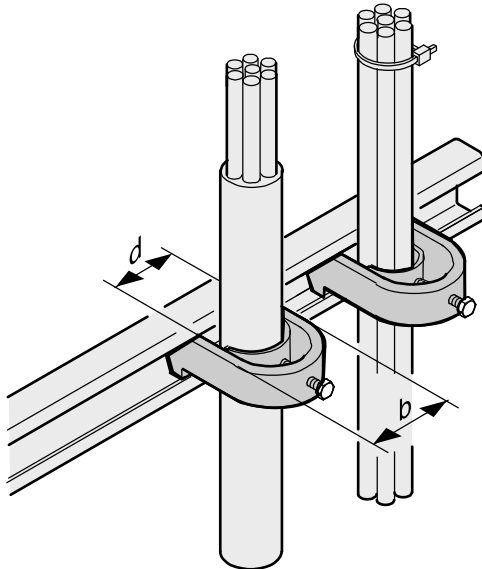
ORDER INFORMATION

Description	W mm	D mm	Part no.
Cable eye for C-profile	120	45	20118-339
Cable eye for C-profile	40	75	20118-554
Cable eye for C-profile	95	95	20118-340
Assembly kit for 4 cable eyes, PU 1 kit			21101-596

NOTE

- Please order assembly kit separately

CABLE SHELLS



- For mounting of cables on C-profiles and cable support rails

DELIVERY COMPRISES

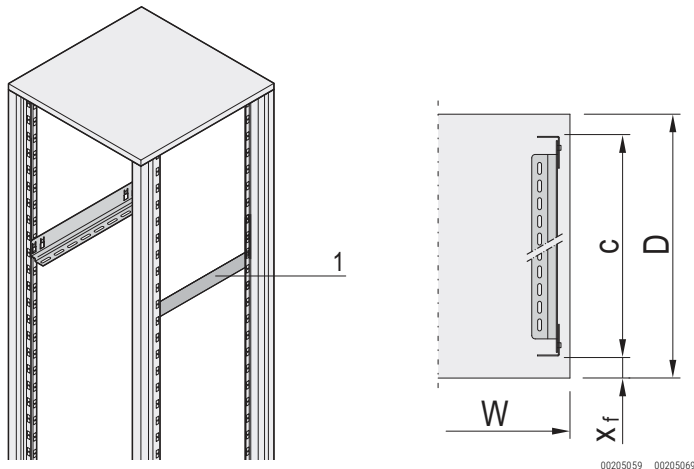
Item	Qty	Description
1	10	Cable shell, St, 2 mm, tin-plated, with plastic half shells

ORDER INFORMATION

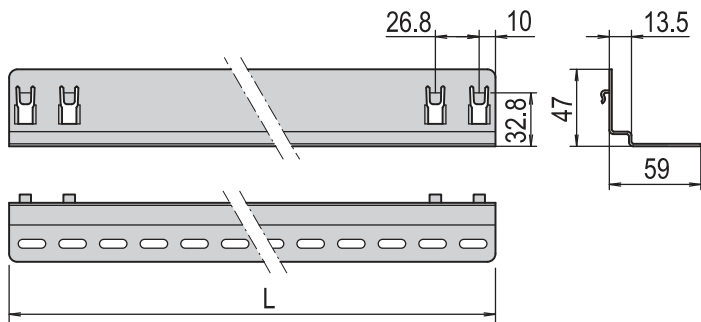
For cable bundle d mm	b mm	Part no.
18 ... 22mm	26	20118-775
22 ... 26mm	30	20118-776
26 ... 30mm	34	20118-777
30 ... 34mm	38	20114-728
34 ... 38mm	45	20114-729
38 ... 42mm	48	20114-730
42 ... 46mm	51	20114-731
46 ... 50mm	54	20118-778

Cabinets – Eurorack

SLIDE RAIL



c = pitch of the 19" uprights



L = length

- For safe and simple installation of heavy 19" subracks
- Can be hung into the upright at 1 U increments
- Load-carrying capacity max. 25 kg per pair

DELIVERY COMPRISES

Item	Qty	Description
1	10	Slide rail for insertion, St, 1.5 mm, surface AlZn
2	1	Assembly kit

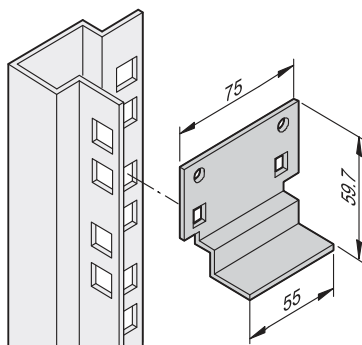
ORDER INFORMATION

For cabinet depth	Length L	c	X _f	Part no.
mm	mm	mm	mm	
600	420	480	60	21127-197
800	620	680	60	21127-198

NOTE

- Can only be fitted to 19" upright
- Further dimensions available on ServicePLUS, see from page 1.298

SHORT SLIDE RAIL



- For mounting on the vertical cabinet uprights
- Can be hung at 1 U increments
- Static load-carrying capacity 15 kg max per pair

DELIVERY COMPRISES

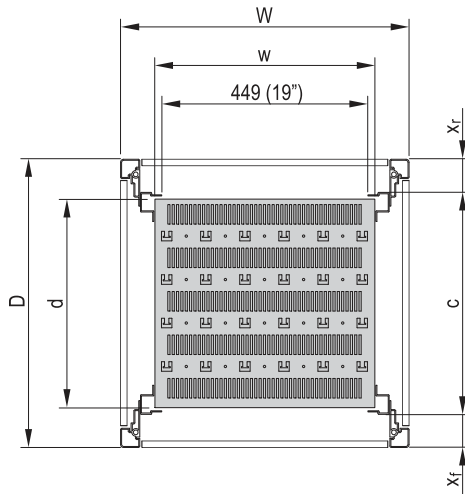
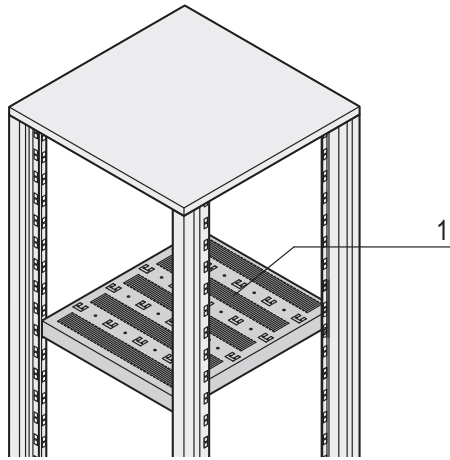
Item	Qty	Description
1	2 / 10	Short slide rail, St, 1,5 mm, finish AlZn
2	1	Assembly kit

ORDER INFORMATION

Description	Qty/PU	Part no.
Short slide rail	2	20118-592
Short slide rail	10	20118-593

Cabinets – Eurorack

19" FIXED SHELF, 75 KG



00105054

00105050

- Static load-carrying capacity 75 kg
- Mounting height 1 U, for mounting on cabinet uprights, full depth
- With hammer head perforation to fix cable ties

DELIVERY COMPRISES

Item	Qty	Description
1	1	Shelf, St, 1.5 mm, RAL 7021
2	1	Assembly kit incl. GND/earthing kit

ORDER INFORMATION

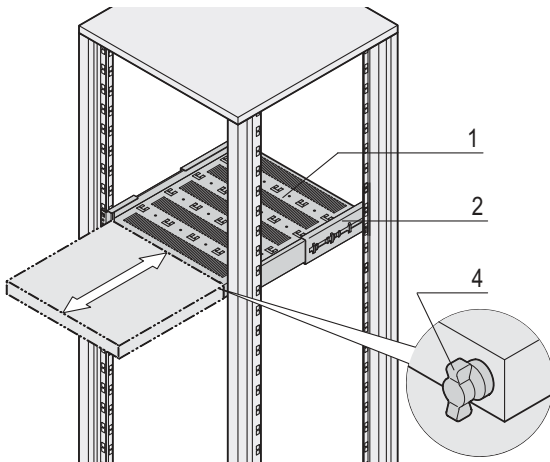
Cabinet dimensions W x D	Usable surface w x d	x _f	x _r	c	Part no.
mm	mm	mm	mm	mm	
600 x 600	477 x 443	60	60	480	22117-842
600 x 800	477 x 643	60	60	680	22117-843

NOTE

- Further dimensions available on ServicePLUS, see from page 1.299

Cabinets – Eurorack

19" TELESCOPIC SHELF, 70 KG

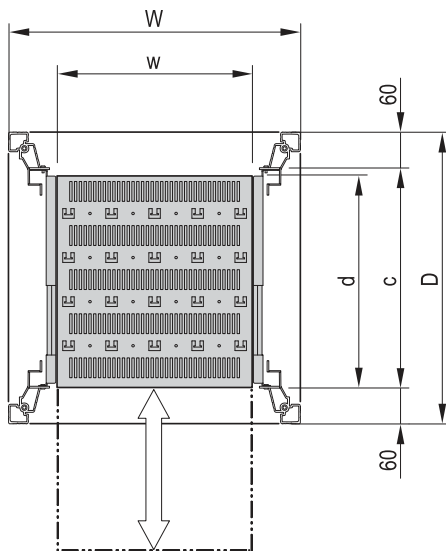


- Static load-carrying capacity at full extension 70 kg
- Mounting height 2 U, for mounting on four 19" panel/slide mounts
- Incl. telescopic slides
- Locking with T-bar lock possible
- Hammer head perforation to fix cable ties
- 2 versions
 - Full depth
 - Depth shortened by 100 mm for rear cable ducting

DELIVERY COMPRISES

Item	Qty	Description
1	1	Shelf with perforation, St, 1.5 mm, RAL 7021
2	2	Telescopic slide, 2 U
3	1	Assembly kit

Full depth



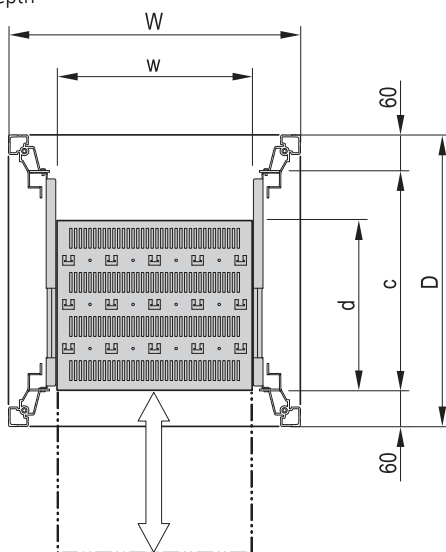
00105052

ORDER INFORMATION

Full depth

Cabinet dimensions W x D mm	Usable surface w x d mm	c mm	Full depth Part no.
600 x 600	405 x 482	480	21130-353
600 x 800	405 x 682	680	21130-355
Item 4 T-bar lock for 1 telescopic shelf (can be mounted right or left), 1 piece			23130-092
GND/earthing for telescopic shelf PU 1 kit, for NOVASTAR, eurorack			21120-189

Shortened depth



00105069

ORDER INFORMATION

Shortened by 100 mm

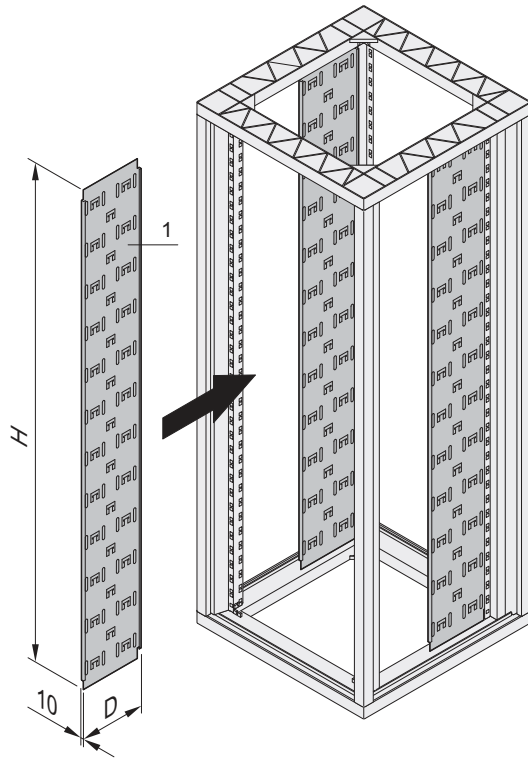
Cabinet dimensions W x D mm	Usable surface w x d mm	c mm	Shortened by 100 mm Part no.
600 x 600	405 x 382	480	21130-352
600 x 800	405 x 582	680	21130-354
Item 4 T-bar lock for 1 telescopic shelf (can be mounted right or left), 1 piece			23130-092
GND/earthing for telescopic shelf PU 1 kit, for NOVASTAR, eurorack			21120-189

c = max. pitch of the slide mounts

00105070

Cabinets – Eurorack

CABLE PANELS



- For mounting direct onto the frame, can be recessed with depth members
- Fixing of cables with cable ties or Velcro
- Colour RAL 7021 (black grey) or RAL 7035 (light grey)
- Widths 150 mm and 250 mm

DELIVERY COMPRISES

Item	Qty	Description
1	2	Cable panel with cut-outs, St, 1 mm
2	1	Assembly kit

ORDER INFORMATION

For cabinet height H	D	RAL 7021	RAL 7035	
U	mm	Part no.	Part no.	
38	1798	150	23117-020	23117-026
43	1934	150	23117-021	23117-027
47	2020	150	23117-022	23117-028
38	1798	250	23117-023	23117-029
43	1934	250	23117-024	23117-030
47	2020	250	23117-025	23117-031

Depth member for 19" eurorack 600 mm cabinet depth, St, 1.5 mm, AlZn, PU 2 pieces

22117-376

Depth member for 19" eurorack 800 mm cabinet depth, St, 1.5 mm, AlZn, PU 2 pieces

22117-377

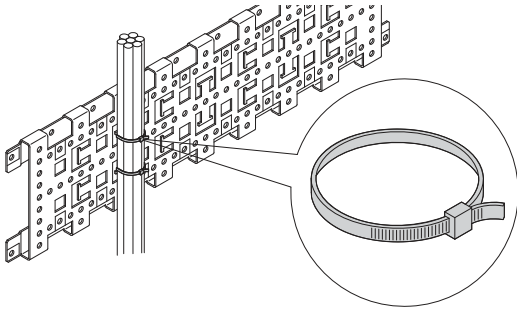
00108050

NOTE

- Cable ties, see page 1.288
- Velcro, see page 1.288

Cabinets – Eurorack

CABLE TIES



01005078

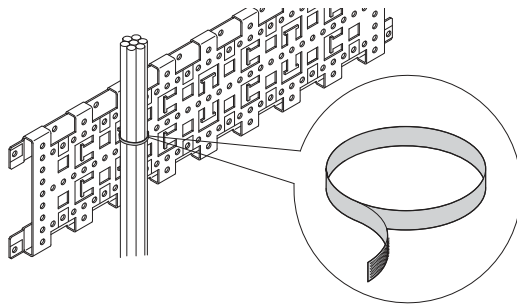
DELIVERY COMPRISES

Item	Qty	Description
1	25	Cable tie, plastic

ORDER INFORMATION

Description	Part no.
Cable tie	92 mm x 2.5 mm 20118-351
Cable tie	186 mm x 5 mm 20118-352
Cable tie	360 mm x 5 mm 20118-353

VELCRO



01005079

- Length 300 mm (for cable bundles of max. 90 mm diameter)

DELIVERY COMPRISES

Item	Qty	Description
1	10	Velcro strip, PE/PA, black, length 300 mm

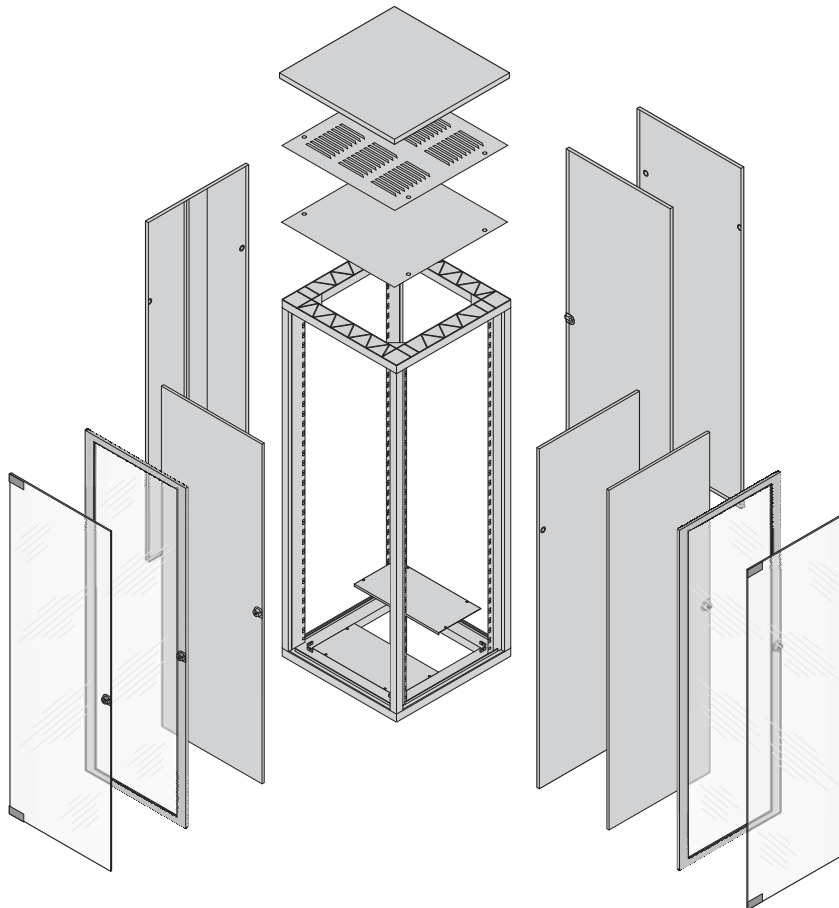
ORDER INFORMATION

Description	Part no.
Velcro strip	20118-624

Cabinets – Eurorack 19" ServicePLUS

EURORACK 19" SERVICEPLUS: CONFIGURATION AND ASSEMBLY

- Dimensions:
 - Height: 20 ... 47 U (998 ... 2198 mm)
 - Width: 600 mm
 - Depth: 600, 800 mm
- Colours:
 - Frame, top cover and plinth in black grey (RAL 7021);
 - Side panels and doors in light grey (RAL 7035) or black grey (RAL 7021)
- Build your cabinet out of individual components (please suffix each part number with /05)
- Once you have selected the desired cabinet dimensions, the row number (first column of the configuration tables) will guide you through all subsequent configuration pages that apply to these dimensions (see example below)
- The cabinet is assembled by us and ready for despatch within 10 working days



	Page
Frames, side-by-side mounting kit, GND/earthing, adjustable feet, castors	1.290
Side panels, glass doors	1.291
Doors	1.292
Door hinge bracket, cable ducting	1.293
Flush top covers	1.294
Raised top covers	1.295
Base plates, plinths	1.296
Third 19" plane, lateral cable ducting	1.297
19" slide rails	1.298
19" fixed or telescopic shelves	1.299
Dimensions 19" frame	1.274
ServicePLUS configuration eurorack Universal	1.300

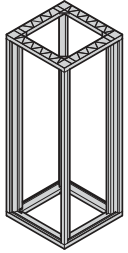
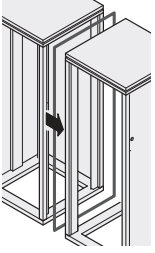
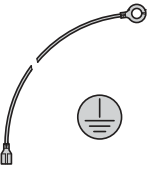
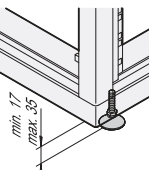
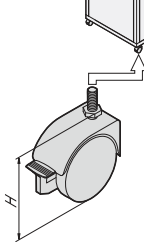
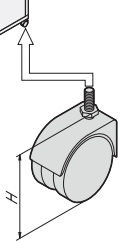
Example configuration (here: row 14)

Qty	Description	Order no.
1	19" frame, RAL 7021, height 2020 mm, width 600 mm, depth 800 mm, 1 piece	22117-779/05
1	Adjustable foot, PU 4 pieces	21101-201/05
1	Side panel, screw fixed, RAL 7035, PU 2 pieces	21117-172/05
1	Front glass door, RAL 7035, opening angle 120°, 1 piece	20117-751/05
1	Rear steel door, RAL 7035, opening angle 120°, 1 piece	21117-190/05
1	DIN profile half cylinder, 1 piece	60114-121/05
..

Cabinets – Eurorack19" ServicePLUS

EURORACK 19" FRAMES, SIDE-BY-SIDE MOUNTING KIT, GND/EARTHING, ADJUSTABLE FEET, CASTORS

ORDER INFORMATION

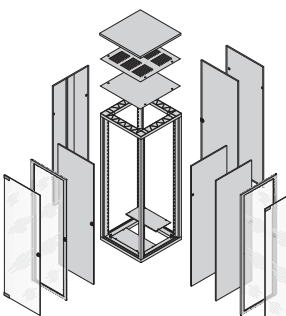
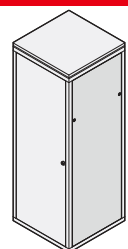
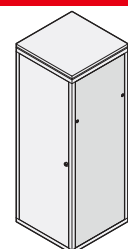
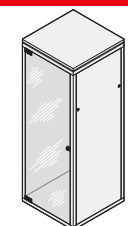

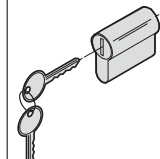
					19" frame 19" plane to front and rear	Side-by-side mounting kit	GND/earthing	Adjustable feet	Castors	
					 era45341 19" frame, frame Al die-cast, uprights Al extrusion, RAL 7021, defined pitch between front and rear 19" plane	 ERTP0070 serves to bolt together two cabinets; sealing strips are PU foam	 aza43284 for frame, door, side panel, top cover, base plate	 era44553 St, PA, black, load-carrying capacity 100 kg per foot	 Load-carrying capacity 180 kg per kit	 Load-carrying capacity 300 kg per kit
Cabinet dimensions					1 piece assembled	1 piece supplied loose	PU 1 kit assembled	PU 4 pieces assembled	PU 4 pieces enclosed loose	PU 4 pieces enclosed loose
No.	U	Height mm	Width mm	Depth mm						
1	20	998	600	600	22117-977					
2	20	998	600	800	22117-978	20117-156	21101-539	21101-201	20117-757	20117-024
3	25	1220	600	600	22117-979					
4	25	1220	600	800	22117-980	20117-156	21101-539	21101-201	20117-757	20117-024
5	29	1398	600	600	22117-981					
6	29	1398	600	800	22117-982	20117-156	21101-539	21101-201	20117-757	20117-024
7	34	1620	600	600	22117-772					
8	34	1620	600	800	22117-773	20117-156	21101-539	21101-201	20117-757	20117-024
9	34	1620	600	900	22117-774					
10	38	1798	600	600	22117-775					
11	38	1798	600	800	22117-776	20117-156	21101-539	21101-201	20117-757	20117-024
12	38	1798	600	900	22117-777					
13	43	2020	600	600	22117-778					
14	43	2020	600	800	22117-779	20117-156	21101-539	21101-201	20117-757	20117-024
15	43	2020	600	900	22117-780					
16	47	2198	600	600	22117-983					
17	47	2198	600	800	22117-781	20117-156	21101-539	21101-201	20117-757	20117-024
18	47	2198	600	900	22117-984					

Frame dimensions, see page 1.274

Cabinets – Eurorack19" ServicePLUS

EURORACK 19" SIDE PANELS, GLASS DOORS

ORDER INFORMATION

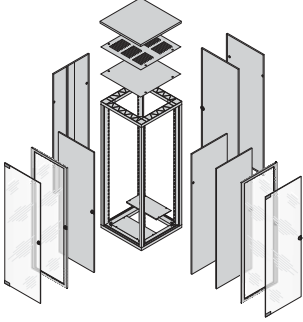
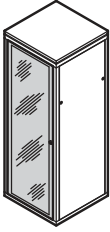
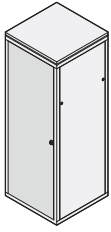
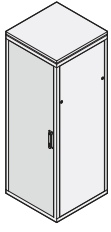
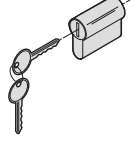
					Side panel with side-panel catches	Side panel with safety lock	Glass door		DIN profile half cylinder		
							Opening angle 120°	Opening angle 180°			
					 <small>ERA44517</small>	 <small>ERA44517</small>	 <small>mra45967</small>	 <small>00101506</small>	 <small>SZA44484</small>		
					St, 1 mm, RAL 7035, 2 side panel catches; instead of a side panel, doors can also be mounted laterally	St, 1 mm, RAL 7021, 2 side panel catches; instead of a side panel, doors can also be mounted laterally	St, 1 mm, RAL 7035, 2 safety locks; instead of a side panel, doors can also be mounted laterally	St, 1 mm, RAL 7021, 2 safety locks; instead of a side panel, doors can also be mounted laterally	glazing smoke grey, Sekurit, 6 mm, safety lock with 2 keys	glazing smoke grey, Sekurit, 6 mm, lever handle (incl. blank insert)	DIN profile half cylinder for lever handle
No.	Cabinet dimensions				RAL 7035	RAL 7021	RAL 7035	RAL 7021	1 piece	1 piece	1 piece
	Height	Width	Depth		PU 2 pieces	PU 2 pieces	PU 2 pieces	PU 2 pieces	assembled	assembled	assembled
	U	mm	mm	mm							
1	20	998	600	600	21117-158	22117-993	-	-	20117-745	-	-
2	20	998	600	800	21117-167	22117-994	-	-	20117-745	-	-
3	25	1220	600	600	21117-159	22117-995	-	-	20117-746	-	-
4	25	1220	600	800	21117-168	22117-996	-	-	20117-746	-	-
5	29	1398	600	600	21117-160	22117-997	22117-185	23117-002	20117-747	22117-239	60114-121
6	29	1398	600	800	21117-169	22117-998	22117-186	23117-003	20117-747	22117-239	60114-121
7	34	1620	600	600	21117-161	22117-958	22117-173	23117-004	20117-747	22117-239	60114-121
8	34	1620	600	800	21117-170	22117-959	22117-177	23117-005	20117-748	22117-227	60114-121
9	34	1620	600	900	21117-179	22117-960	22117-181	23117-006	20117-748	22117-227	60114-121
10	38	1798	600	600	21117-162	22117-961	22117-174	23117-007	20117-747	22117-239	60114-121
11	38	1798	600	800	21117-171	22117-962	22117-178	23117-008	20117-749	22117-228	60114-121
12	38	1798	600	900	21117-180	22117-963	22117-182	23117-009	20117-749	22117-228	60114-121
13	43	2020	600	600	21117-163	22117-964	22117-175	22117-968	20117-751	22117-229	60114-121
14	43	2020	600	800	21117-172	22117-965	22117-179	22117-969	20117-751	22117-229	60114-121
15	43	2020	600	900	21117-181	22117-966	22117-592	22117-970	20117-751	22117-229	60114-121
16	47	2198	600	600	21117-164	22117-999	22117-176	23117-010	20117-752	22117-230	60114-121
17	47	2198	600	800	21117-173	22117-967	22117-180	22117-971	20117-752	22117-230	60114-121
18	47	2198	600	900	21117-182	23117-001	22117-593	22117-972	20117-752	22117-230	60114-121

Note: Doors can also be assembled laterally, in place of side panels

Cabinets – Eurorack19" ServicePLUS

EURORACK 19" DOORS

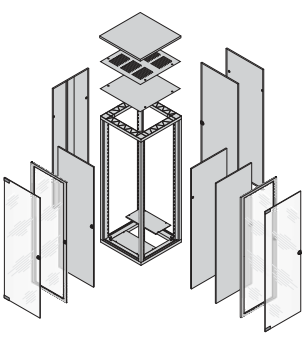
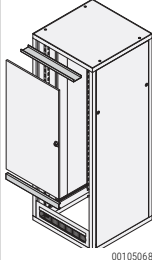

ORDER INFORMATION

					Glazed acrylic glass door Opening angle 120°		Steel door Opening angle 120°		Steel door Opening angle 180°		DIN profile half cylinder
											
					<small>a4491b</small> frame, Al, 2 mm, RAL 7021; acrylic glass, 2 mm, safety lock with 2 keys	frame, Al, 2 mm, RAL 7021; acrylic glass, 2 mm, safety lock with 2 keys	St, 1 mm, RAL 7035, safety lock with 2 keys	St, 1 mm, RAL 7035, safety lock with 2 keys	<small>00101506</small> St, 1 mm, RAL 7035, lever handle (incl. blank insert), please order DIN profile half cylinder separately	<small>00101504</small> St, 1 mm, RAL 7021, lever handle (incl. blank insert), please order DIN profile half cylinder separately	<small>SZ44484</small> DIN profile half cylinder for lever handle
No.	Cabinet dimensions				RAL 7035	RAL 7021	RAL 7035	RAL 7021	RAL 7035	RAL 7021	
	U	mm	mm	mm	1 piece assembled	1 piece assembled	1 piece assembled	1 piece assembled	1 piece assembled	1 piece assembled	1 piece assembled
1	20	998	600	600	20117-770	22117-944	21117-185	22117-935	-	-	-
2	20	998	600	800							
3	25	1220	600	600	20117-771	22117-945	21117-186	22117-936	-	-	-
4	25	1220	600	800							
5	29	1398	600	600	20117-772	23117-011	21117-187	23117-012	22117-201	23117-013	60114-121
6	29	1398	600	800							
7	34	1620	600	600							
8	34	1620	600	800	20117-765	22117-946	21117-188	22117-937	22117-189	23117-014	60114-121
9	34	1620	600	900							
10	38	1798	600	600							
11	38	1798	600	800	20117-766	22117-947	21117-189	22117-938	22117-190	23117-015	60114-121
12	38	1798	600	900							
13	43	2020	600	600							
14	43	2020	600	800	20117-767	22117-949	21117-190	22117-940	22117-191	22117-973	60114-121
15	43	2020	600	900							
16	47	2198	600	600							
17	47	2198	600	800	20117-768	22117-951	21117-191	22117-942	22117-192	22117-975	60114-121
18	47	2198	600	900							

Cabinets – Eurorack19" ServicePLUS

EURORACK 19" DOOR HINGE BRACKET, CABLE DUCTING

ORDER INFORMATION

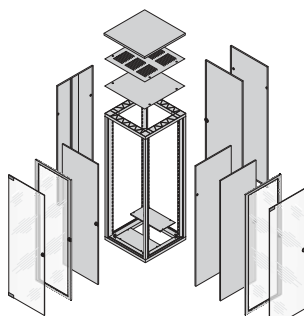
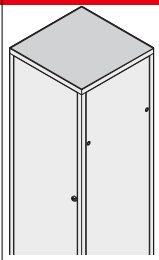
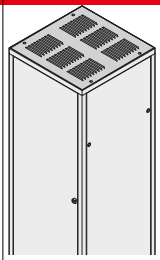
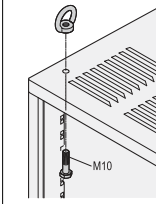
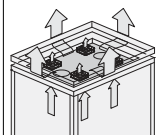
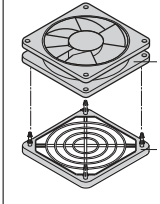
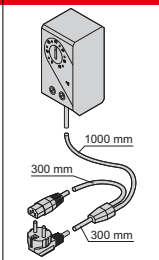
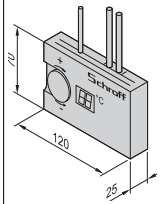
					Door hinge bracket for 19" frame	Cable ducting frame	
						3 U	4 U
					 <p>00105068</p> <p>St, 1.5 mm, RAL 7021, mounting to front or rear, above or below the short door, 1 U assembly area, please order 19" cable ducting separately</p>	 <p>07011081</p> <p>St, 2.5 mm, RAL 7021, with black brush strip for short doors or rear panels</p>	
Cabinet dimensions					1 piece assembled	1 piece assembled	1 piece assembled
No.	Height U	Width mm	Depth mm				
1	20	998	600	600	22117-798	20118-796	20118-797
2	20	998	600	800			
3	25	1220	600	600	22117-798	20118-796	20118-797
4	25	1220	600	800			
5	29	1398	600	600	22117-798	20118-796	20118-797
6	29	1398	600	800			
7	34	1620	600	600			
8	34	1620	600	800	22117-798	20118-796	20118-797
9	34	1620	600	900			
10	38	1798	600	600			
11	38	1798	600	800	22117-798	20118-796	20118-797
12	38	1798	600	900			
13	43	2020	600	600			
14	43	2020	600	800	22117-798	20118-796	20118-797
15	43	2020	600	900			
16	47	2198	600	600			
17	47	2198	600	800	22117-798	20118-796	20118-797
18	47	2198	600	900			

Cabinets – Eurorack19" ServicePLUS

EURORACK 19"

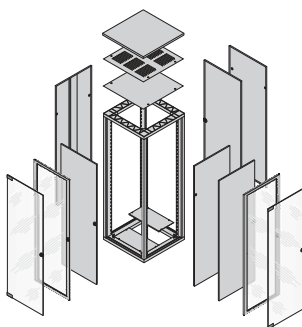
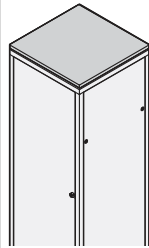
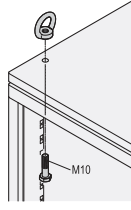
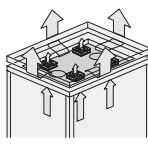
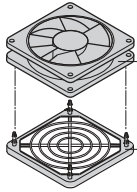
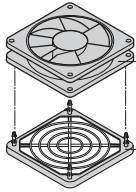
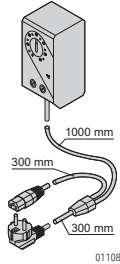
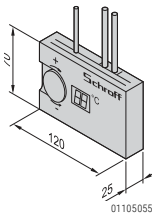
FLUSH TOP COVERS

ORDER INFORMATION

					Flush top cover			Top cover fan for flush lowered top cover			
					Plain	Louvered	Lifting eyes	Fan trays without fans	Fan for fan tray	Thermostat	Speed control
					 <small>ERA44525</small> St, 1 mm, RAL 7021	 <small>ERA45344</small> St, 1 mm, RAL 7021	 <small>ERA44560</small> lifting eye for flush cover, application and static load-carrying capacity in accordance with DIN 582	 <small>ertp0055</small> St, 1.5 mm, RAL 7021, all 6 openings closed with PE blank plugs, terminal clamp with connecting cable, 2 m, IEC-60320 C14 plug	 <small>KT444844</small> axial fan 230 V _{AC} , 8 W, 90 m ³ /h, height 25 mm, protective grille, plastic, black, flammability UL 94 V-0	 <small>01108052</small> for air barrier, with mains cable 230 V _{AC} (SCHUKO/UTE plug/ IEC 60320 C13 socket), adjustment range 0 ... 60°C	 <small>01105055</small> fully wired, 90 ... 264 V _{AC} , input SCHUKO/UTE plug, outlet IEC 60320 C1 3 socket; external NTC sensor 1.5 m
No.	Cabinet dimensions				1 piece assembled	1 piece assembled	PU 4 pieces assembled	1 piece assembled	1 piece assembled	1 piece assembled	1 piece assembled
	Height U	Width mm	Depth mm	mm							
1	20	998	600	600	22117-801	22117-806	20117-080	22117-821	20713-048	24630-119	60715-005
2	20	998	600	800	22117-802	22117-807		22117-822			
3	25	1220	600	600	22117-801	22117-806	20117-080	22117-821	20713-048	24630-119	60715-005
4	25	1220	600	800	22117-802	22117-807		22117-822			
5	29	1398	600	600	22117-801	22117-806	20117-080	22117-821	20713-048	24630-119	60715-005
6	29	1398	600	800	22117-802	22117-807		22117-822			
7	34	1620	600	600	22117-801	22117-806	20117-080	22117-821	20713-048	24630-119	60715-005
8	34	1620	600	800	22117-802	22117-807		22117-822			
9	34	1620	600	900	22117-803	22117-808		22117-823			
10	38	1798	600	600	22117-801	22117-806	20117-080	22117-821	20713-048	24630-119	60715-005
11	38	1798	600	800	22117-802	22117-807		22117-822			
12	38	1798	600	900	22117-803	22117-808		22117-823			
13	43	2020	600	600	22117-801	22117-806	20117-080	22117-821	20713-048	24630-119	60715-005
14	43	2020	600	800	22117-802	22117-807		22117-822			
15	43	2020	600	900	22117-803	22117-808		22117-823			
16	47	2198	600	600	22117-801	22117-806	20117-080	22117-821	20713-048	24630-119	60715-005
17	47	2198	600	800	22117-802	22117-807		22117-822			
18	47	2198	600	900	22117-803	22117-808		22117-823			

Cabinets – Eurorack19" ServicePLUS

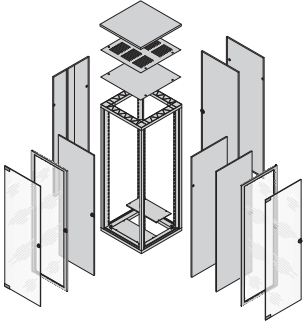
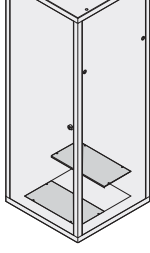
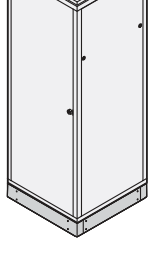
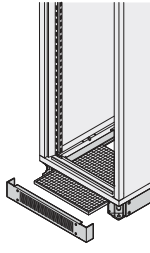
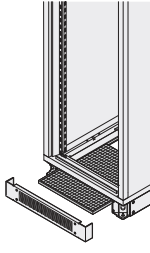
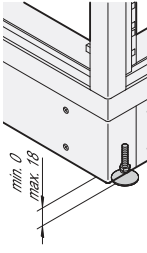
EURORACK 19"
RAISED TOP COVERS
ORDER INFORMATION

					Raised top cover		Fan for raised top cover				Thermostat	Speed control
					Raised	Lifting eyes	Fan tray without fan	Fan for fan tray				
					 ERA44526 St, 1.5 mm, RAL 7021, air gap all round 8 mm, IP 20	 ERA44560 lifting eye for raised top cover, application and static load-carrying capacity in accordance with DIN 582	 ertp0055 St, 1.5 mm, RAL 7021, all 6 openings closed with PE blank plugs, terminal clamp with connecting cable, 2 m, IEC-60320 C14 plug	 KTA44844 axial fan 230 V _{AC} , 15 W, 162 m ³ /h, height 38 mm, plastic, black, flammability UL 94 V-0	 KTA44844 axial fan 230 V _{AC} , 8 W, 90 m ³ /h, height 25 mm, plastic, black, flammability UL 94 V-0	 01108052 for air barrier, with mains cable 230 V _{AC} (SCHUKO/UTE plug/IEC 60320 C13 socket), adjustment range 0 ... 60°C	 01105055 fully wired, 90 ... 264 V _{AC} , input SCHUKO/UTE plug, outlet IEC 60320 C13 socket; external NTC sensor 1.5 m	
No.	Cabinet dimensions				1 piece assembled	PU 4 pieces assembled	1 piece assembled	1 piece assembled	1 piece assembled	1 piece assembled	1 piece assembled	
	U	Height mm	Width mm	Depth mm								
1	20	998	600	600	22117-811	20150-011	22117-821	20713-243	20713-048	24630-119	60715-005	
2	20	998	600	800	22117-812		22117-822					
3	25	1220	600	600	22117-811	20150-011	22117-821	20713-243	20713-048	24630-119	60715-005	
4	25	1220	600	800	22117-812		22117-822					
5	29	1398	600	600	22117-811	20150-011	22117-821	20713-243	20713-048	24630-119	60715-005	
6	29	1398	600	800	22117-812		22117-822					
7	34	1620	600	600	22117-811	20150-011	22117-821	20713-243	20713-048	24630-119	60715-005	
8	34	1620	600	800	22117-812		22117-822					
9	34	1620	600	900	22117-813		22117-823					
10	38	1798	600	600	22117-811	20150-011	22117-821	20713-243	20713-048	24630-119	60715-005	
11	38	1798	600	800	22117-812		22117-822					
12	38	1798	600	900	22117-813		22117-823					
13	43	2020	600	600	22117-811	20150-011	22117-821	20713-243	20713-048	24630-119	60715-005	
14	43	2020	600	800	22117-812		22117-822					
15	43	2020	600	900	22117-813		22117-823					
16	47	2198	600	600	22117-811	20150-011	22117-821	20713-243	20713-048	24630-119	60715-005	
17	47	2198	600	800	22117-812		22117-822					
18	47	2198	600	900	22117-813		22117-823					

Cabinets – Eurorack19" ServicePLUS

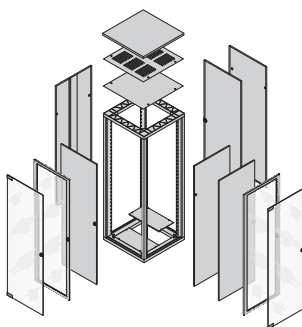
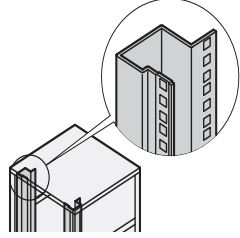
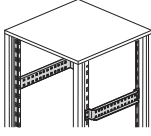
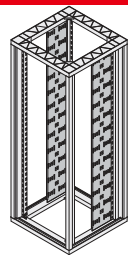
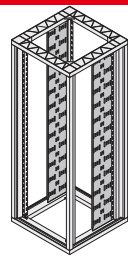
EURORACK 19" BASE PLATES, PLINTHS

ORDER INFORMATION

					Base plate	Fixed base/plinth, height 100 mm			
						Plain	With ventilation	Filter mat	Adjustable feet
					 00108051 St, 1.5 mm, RAL 7021, two parts, mounting on frame	 ERA44532 base, Al die-cast, covers, St, 2.5 mm, RAL 7021	 ERTP0057 base/plinth, Al die-cast, covers, St, 2.5 mm, RAL 7021, front and rear with ventilation openings; please order filter mat separately	 ERTP0057 filter mat for fixed base/plinth, with ventilation	 era44553 St, PA, black, load-carrying capacity 100 kg per foot
No.	Cabinet dimensions				PU 2 pieces enclosed loose	1 piece assembled	1 piece assembled	PU 3 pieces enclosed loose	PU 4 pieces assembled
	Height U	Width mm	Depth mm	Depth mm					
1	20	998	600	600	22117-826	22117-830	22117-864	60114-514	21101-201
2	20	998	600	800	22117-827	22117-831	22117-865	60114-515	
3	25	1220	600	600	22117-826	22117-830	22117-864	60114-514	21101-201
4	25	1220	600	800	22117-827	22117-831	22117-865	60114-515	
5	29	1398	600	600	22117-826	22117-830	22117-864	60114-514	21101-201
6	29	1398	600	800	22117-827	22117-831	22117-865	60114-515	
7	34	1620	600	600	22117-826	22117-830	22117-864	60114-514	21101-201
8	34	1620	600	800	22117-827	22117-831	22117-865	60114-515	
9	34	1620	600	900	22117-828	22117-832	22117-866	-	
10	38	1798	600	600	22117-826	22117-830	22117-864	60114-514	21101-201
11	38	1798	600	800	22117-827	22117-831	22117-865	60114-515	
12	38	1798	600	900	22117-828	22117-832	22117-866	-	
13	43	2020	600	600	22117-826	22117-830	22117-864	60114-514	21101-201
14	43	2020	600	800	22117-827	22117-831	22117-865	60114-515	
15	43	2020	600	900	22117-828	22117-832	22117-866	-	
16	47	2198	600	600	22117-826	22117-830	22117-864	60114-514	21101-201
17	47	2198	600	800	22117-827	22117-831	22117-865	60114-515	
18	47	2198	600	900	22117-828	22117-832	22117-866	-	

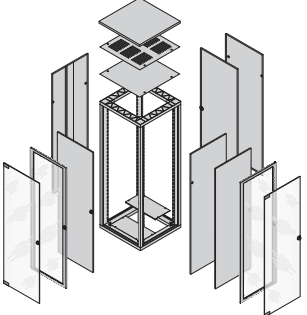
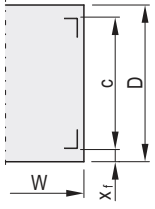
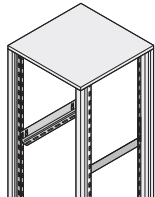
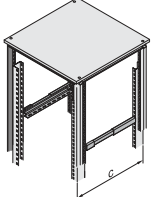
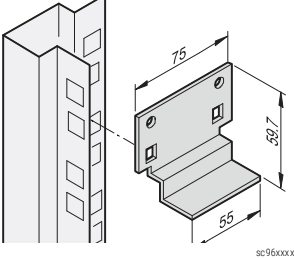
Cabinets – Eurorack19" ServicePLUS

EURORACK 19"
THIRD 19" PLANE, LATERAL CABLE DUCTING
ORDER INFORMATION

					19" panel/slide mount		Depth member	Lateral cable ducting			
					RAL 7021	AlZn	For 19" eurorack	Cable panel Width 150 mm		Cable panel Width 250 mm	
											
					St, 1.5 mm, with 19" cut-outs; to mount a third 19" plane, 1 pair of 19" panel/slide mounts and 2 pairs of depth members are required		St, 1.5 mm, AlZn, for assembly of the third 19" plane or other components	St, 1 mm, RAL 7035, with cut-outs for cable ties or Velcro	St, 1 mm, RAL 7021, with cut-outs for cable ties or Velcro	St, 1 mm, RAL 7035, with cut-outs for cable ties or Velcro	St, 1 mm, RAL 7021, with cut-outs for cable ties or Velcro
No.	Cabinet dimensions				RAL 7021	AlZn	AlZn	RAL 7035	RAL 7021	RAL 7035	RAL 7021
	U	mm	mm	mm	PU 2 pieces assembled	PU 2 pieces assembled	PU 2 pieces assembled	PU 2 pieces assembled	PU 2 pieces assembled	PU 2 pieces assembled	PU 2 pieces assembled
1	20	998	600	600	23117-017	22117-352	22117-376	-	-	-	-
2	20	998	600	800			22117-377				
3	25	1220	600	600	23117-018	22117-353	22117-376	-	-	-	-
4	25	1220	600	800			22117-377				
5	29	1398	600	600	23117-019	22117-354	22117-376	-	-	-	-
6	29	1398	600	800			22117-377				
7	34	1620	600	600			22117-376				
8	34	1620	600	800	22117-835	22117-355	22117-377	-	-	-	-
9	34	1620	600	900			22117-378				
10	38	1798	600	600			22117-376				
11	38	1798	600	800	22117-836	22117-356	22117-377	23117-026	23117-020	23117-029	23117-023
12	38	1798	600	900			22117-378				
13	43	2020	600	600			22117-376				
14	43	2020	600	800	22117-837	22117-357	22117-377	23117-027	23117-021	23117-030	23117-024
15	43	2020	600	900			22117-378				
16	47	2198	600	600			22117-376				
17	47	2198	600	800	22117-838	22117-358	22117-377	23117-028	23117-022	23117-031	23117-025
18	47	2198	600	900			22117-378				

Cabinets – Eurorack19" ServicePLUS

EURORACK 19"
19" SLIDE RAILS
ORDER INFORMATION

					Dimensions standard assembly		Slide rail 25 kg		40 kg, depth-adjustable		Short slide rail	
					 <p>00205066</p> <p>X_f = distance from front c = pitch of 19" plane D = cabinet depth W = cabinet width</p>		 <p>00108056</p> <p>St, 1.5 mm, finish AlZn, static load-carrying capacity 25 kg/pair</p>		 <p>41003081</p> <p>St, 1.5 mm, finish AlZn, static load-carrying capacity 40 kg/pair, depth-adjustable (c: 675 - 850 mm)</p>		 <p>se96xxxx</p> <p>St, 1.5 mm, finish AlZn, static load-carrying capacity 15 kg/pair</p>	
Cabinet dimensions							PU 2 pieces		PU 2 pieces		PU 10 pieces	
No.	Height		Width	Depth	X_f	c	enclosed loose		enclosed loose		enclosed loose	
	U	mm					mm	mm	mm	mm	mm	mm
1	20	998	600	600	60	480	22127-094	21127-197	-	20118-592	20118-593	
2	20	998	600	800	60	680	22127-095	21127-199	28127-001	20118-592	20118-593	
3	25	1220	600	600	60	480	22127-094	21127-197	-	20118-592	20118-593	
4	25	1220	600	800	60	680	22127-095	21127-199	28127-001	20118-592	20118-593	
5	29	1398	600	600	60	480	22127-094	21127-197	-	20118-592	20118-593	
6	29	1398	600	800	60	680	22127-095	21127-199	28127-001	20118-592	20118-593	
7	34	1620	600	600	60	480	22127-094	21127-197	-	20118-592	20118-593	
8	34	1620	600	800	60	680	22127-095	21127-198	28127-001	20118-592	20118-593	
9	34	1620	600	900	60	780	22127-096	21127-199	28127-001			
10	38	1798	600	600	60	480	22127-094	21127-197	-	20118-592	20118-593	
11	38	1798	600	800	60	680	22127-095	21127-198	28127-001	20118-592	20118-593	
12	38	1798	600	900	60	780	22127-096	21127-199	28127-001			
13	43	2020	600	600	60	480	22127-094	21127-197	-	20118-592	20118-593	
14	43	2020	600	800	60	680	22127-095	21127-198	28127-001	20118-592	20118-593	
15	43	2020	600	900	60	780	22127-096	21127-199	28127-001			
16	47	2198	600	600	60	480	22127-094	21127-197	-	20118-592	20118-593	
17	47	2198	600	800	60	680	22127-095	21127-198	28127-001	20118-592	20118-593	
18	47	2198	600	900	60	780	22127-096	21127-199	28127-001			

Cabinets – Eurorack19" ServicePLUS

EURORACK 19"
19" FIXED OR TELESCOPIC SHELVES
ORDER INFORMATION

				Dimensions standard assembly		Fixed shelf, 1 U, 75 kg		Shelf, telescopic, 2 U, 70 kg		T-bar lock	GND/earthing		
				Full depth	Recessed by c - 100 mm	Full depth	Shortened by 100 mm						
				<p>00205066</p> <p>x_f = distance from front c = pitch of 19" plane D = cabinet depth W = cabinet width</p>		<p>00105050</p>		<p>00105051</p>		<p>01004125</p>		<p>05904052</p>	
No.	Cabinet dimensions			x_f mm	c mm	Fixed shelf, 1 U, 75 kg		Shelf, telescopic, 2 U, 70 kg		1 piece assembled	PU 1 kit assembled		
	U	Height mm	Width mm			Depth mm	1 piece assembled	1 piece assembled	1 piece assembled			1 piece assembled	
1	20	998	600	600	60	480	22117-842	22117-845	21130-353	21130-352	23130-092	21120-189	
2	20	998	600	800	60	680	22117-843	22117-861	21130-355	21130-354	23130-092	21120-189	
3	25	1220	600	600	60	480	22117-842	22117-845	21130-353	21130-352	23130-092	21120-189	
4	25	1220	600	800	60	680	22117-843	22117-861	21130-355	21130-354	23130-092	21120-189	
5	29	1398	600	600	60	480	22117-842	22117-845	21130-353	21130-352	23130-092	21120-189	
6	29	1398	600	800	60	680	22117-843	22117-861	21130-355	21130-354	23130-092	21120-189	
7	34	1620	600	600	60	480	22117-842	22117-845	21130-353	21130-352	23130-092	21120-189	
8	34	1620	600	800	60	680	22117-843	22117-861	21130-355	21130-354	23130-092	21120-189	
9	34	1620	600	900	60	780	22117-844	22117-843	-	-	-	-	
10	38	1798	600	600	60	480	22117-842	22117-845	21130-353	21130-352	23130-092	21120-189	
11	38	1798	600	800	60	680	22117-843	22117-861	21130-355	21130-354	23130-092	21120-189	
12	38	1798	600	900	60	780	22117-844	22117-843	-	-	-	-	
13	43	2020	600	600	60	480	22117-842	22117-845	21130-353	21130-352	23130-092	21120-189	
14	43	2020	600	800	60	680	22117-843	22117-861	21130-355	21130-354	23130-092	21120-189	
15	43	2020	600	900	60	780	22117-844	22117-843	-	-	-	-	
16	47	2198	600	600	60	480	22117-842	22117-845	21130-353	21130-352	23130-092	21120-189	
17	47	2198	600	800	60	680	22117-843	22117-861	21130-355	21130-354	23130-092	21120-189	
18	47	2198	600	900	60	780	22117-844	22117-843	-	-	-	-	

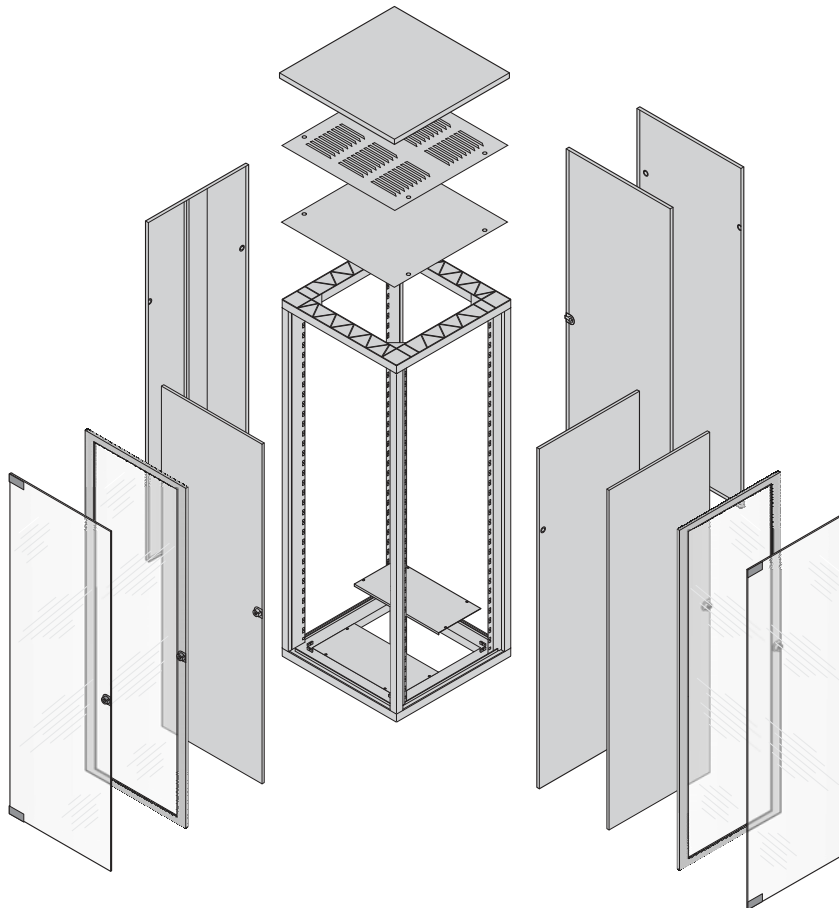
Cabinets – EurorackUniversal ServicePLUS



Cabinets – Eurorack Universal ServicePLUS

EURORACK UNIVERSAL SERVICEPLUS: CONFIGURATION AND ASSEMBLY

- Dimensions:
 - Height: 20 ... 47 U (998 ... 2198 mm)
 - Width: 600, 800 mm
 - Depth: 600, 800, 900 mm
- Colours:
 - Frame, top cover and plinth in black grey (RAL 7021);
 - Side panels and doors in light grey (RAL 7035) or black grey (RAL 7021)
- Build your cabinet out of individual components (please suffix each part number with /05)
- Once you have selected the desired cabinet dimensions, the row number (first column of the configuration tables) will guide you through all subsequent configuration pages that apply to these dimensions (see example below)
- The cabinet is assembled by us and ready for despatch within 10 working days



	Page
Frames, side-by-side mounting kit, GND/earthing, adjustable feet, castors	1.302
Doors	1.303
Door hinge bracket, cable ducting	1.305
Flush top covers	1.306
Raised top covers	1.307
Base plates, plinths	1.308
19" panel/slide mounts	1.309
19" slide rails	1.311
Fixed 19" shelves	1.312
Telescopic 19" shelves	1.313
Fixed shelves on Universal cabinet uprights	1.314
Telescopic shelves on Universal cabinet uprights	1.315
Dimensions Universal frame	1.275

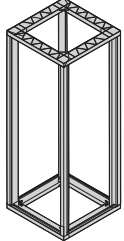
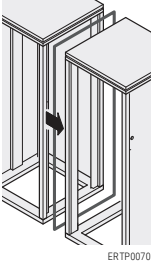
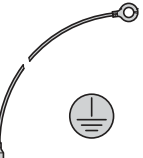
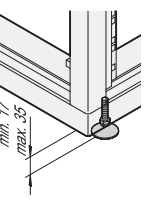
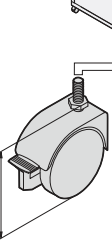
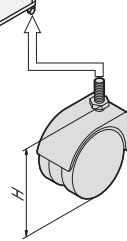
Example configuration (here: row 17)

Qty	Description	Order no.
1	Universal frame, RAL 7021, height 2020 mm, width 600 mm, depth 900 mm, 1 piece	22117-792/05
1	Adjustable foot, PU 4 pieces	21101-201/05
2	Lateral steel door, opening angle 120°, RAL 7035, 1 piece	21117-190/05
2	Front, rear glass door, RAL 7035, opening angle 180°, 1 piece	22117-229/05
1	DIN profile half cylinder, 1 piece	60114-121/05
..

Cabinets – EurorackUniversal ServicePLUS

EURORACK UNIVERSAL FRAMES, SIDE-BY-SIDE MOUNTING KIT, GND/EARTHING, ADJUSTABLE FEET, CASTORS

ORDER INFORMATION

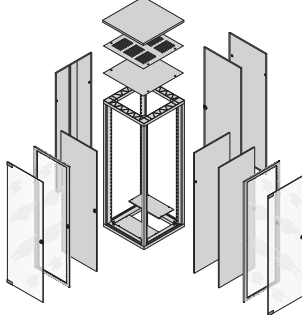
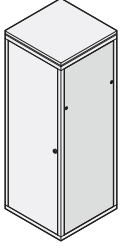
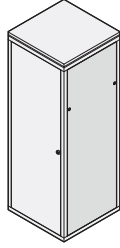
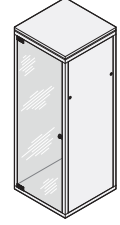
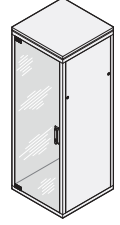
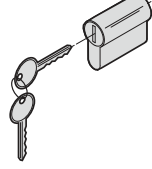
					Universal frame (without 19" plane)	Side-by-side mounting kit	GND/earthing	Adjustable feet	Castors	
					 era44489	 ERTP0070	 aza43284	 era44553	 era44556	 era44556
					Universal frame, rack Al die-cast, uprights Al extrusion, 19" plane can be built in 25 mm increments with depth members and depth-adjustable 19" panel/slide mounts	serves to screw together two cabinets	for frame, door, side panel, top cover, base plate	St, PA, black, load- carrying capacity 100 kg per foot	assembly directly onto frame, height H = 93 mm, 2 locking, 2 non- locking castors	assembly directly onto frame, height H = 110 mm, 2 locking, 2 non- locking castors
Cabinet dimensions					1 piece assembled	1 piece supplied loose	PU 1 kit assembled	PU 4 pieces assembled	PU 4 pieces enclosed loose	PU 4 pieces enclosed loose
No.	U	Height mm	Width mm	Depth mm						
1	20	998	600	600	22117-985					
2	20	998	600	800	22117-986	20117-515	21101-539	21101-201	20117-757	20117-024
3	25	1220	600	600	22117-987					
4	25	1220	600	800	22117-988	20117-515	21101-539	21101-201	20117-757	20117-024
5	29	1398	600	600	22117-989					
6	29	1398	600	800	22117-990	20117-515	21101-539	21101-201	20117-757	20117-024
7	34	1620	600	600	22117-782					
8	34	1620	600	800	22117-783	20117-515	21101-539	21101-201	20117-757	20117-024
9	34	1620	600	900	22117-784					
10	38	1798	600	600	22117-985					
11	38	1798	600	800	22117-986	20117-515	21101-539	21101-201	20117-757	20117-024
12	38	1798	600	900	22117-787					
13	38	1798	800	600	22117-788					
14	38	1798	800	800	22117-789	20117-515	21101-539	21101-201	20117-757	20117-024
15	43	2020	600	600	22117-790					
16	43	2020	600	800	22117-791	20117-515	21101-539	21101-201	20117-757	20117-024
17	43	2020	600	900	22117-792					
18	43	2020	800	600	22117-793					
19	43	2020	800	800	22117-794	20117-515	21101-539	21101-201	20117-757	20117-024
20	47	2198	600	600	22117-991					
21	47	2198	600	800	22117-796	20117-515	21101-539	21101-201	20117-757	20117-024
22	47	2198	600	900	22117-992					
23	47	2198	800	800	22117-797	20117-515	21101-539	21101-201	20117-757	20117-024

Frame dimensions, see page 1.275

Cabinets – EurorackUniversal Ser-

EURORACK UNIVERSAL SIDE PANELS, GLASS DOORS

ORDER INFORMATION

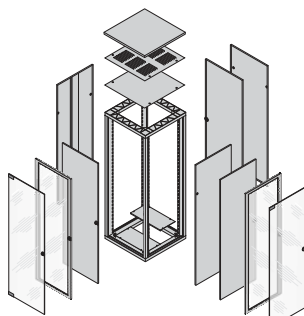
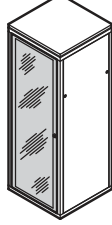
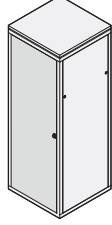
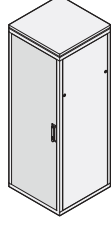
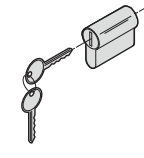
					Side panel with side-panel catches	Side panel with safety lock	Glass door Opening angle 120°	Glass door Opening angle 180°	DIN profile half cylinder		
					 <p style="text-align: center;">ERA44517</p>	 <p style="text-align: center;">ERA44517</p>	 <p style="text-align: center;">mra45967</p>	 <p style="text-align: center;">00101506</p>	 <p style="text-align: center;">SZA44484</p>		
					St, 1 mm, RAL 7035, 2 side panel catches; instead of a side panel, doors can also be mounted laterally	St, 1 mm, RAL 7021, 2 side panel catches; instead of a side panel, doors can also be mounted laterally	St, 1 mm, RAL 7035, 2 safety locks; instead of a side panel, doors can also be mounted laterally	St, 1 mm, RAL 7021, 2 safety locks; instead of a side panel, doors can also be mounted laterally	glazing smoke grey, Sekurit, 6 mm, safety lock with 2 keys	glazing smoke grey, Sekurit, 6 mm, lever handle (incl. blank insert)	DIN profile half cylinder for lever handle
No.	Cabinet dimensions				RAL 7035	RAL 7021	RAL 7035	RAL 7021	1 piece assembled	1 piece assembled	1 piece assembled
	U	Height mm	Width mm	Depth mm	PU 2 pieces assembled	PU 2 pieces assembled	PU 2 pieces assembled	PU 2 pieces assembled			
1	20	998	600	600	21117-158	22117-993	-	-	20117-745	-	-
2	20	998	600	800	21117-167	22117-994	-	-	20117-745	-	-
3	25	1220	600	600	21117-159	22117-995	-	-	20117-746	-	-
4	25	1220	600	800	21117-168	22117-996	-	-	20117-746	-	-
5	29	1398	600	600	21117-160	22117-997	22117-185	23117-002	20117-747	22117-239	60114-121
6	29	1398	600	800	21117-169	22117-998	22117-186	23117-003	20117-747	22117-239	60114-121
7	34	1620	600	600	21117-161	22117-958	22117-173	23117-004	20117-747	22117-239	60114-121
8	34	1620	600	800	21117-170	22117-959	22117-177	23117-005	20117-748	22117-227	60114-121
9	34	1620	600	900	21117-179	22117-960	22117-181	23117-006	20117-748	22117-227	60114-121
10	38	1798	600	600	21117-162	22117-961	22117-174	23117-007	20117-747	22117-239	60114-121
11	38	1798	600	800	21117-171	22117-962	22117-178	23117-008	20117-749	22117-228	60114-121
12	38	1798	600	900	21117-180	22117-963	22117-182	23117-009	20117-749	22117-228	60114-121
13	38	1798	800	600	21117-162	22117-961	22117-174	23117-007	20117-754	22117-236	60114-121
14	38	1798	800	800	21117-171	22117-962	22117-178	23117-008	20117-754	22117-236	60114-121
15	43	2020	600	600	21117-163	22117-964	22117-175	22117-968	20117-753	22117-237	60114-121
16	43	2020	600	800	21117-172	22117-965	22117-179	22117-969	20117-751	22117-229	60114-121
17	43	2020	600	900	21117-181	22117-966	22117-592	22117-970	20117-751	22117-229	60114-121
18	43	2020	800	600	21117-163	22117-964	22117-175	22117-968	20117-753	22117-237	60114-121
19	43	2020	800	800	21117-172	22117-965	22117-179	22117-969	20117-753	22117-237	60114-121
20	47	2198	600	600	21117-164	22117-999	22117-176	23117-010	20117-752	22117-230	60114-121
21	47	2198	600	800	21117-173	22117-967	22117-180	22117-971	20117-752	22117-230	60114-121
22	47	2198	600	900	21117-182	23117-001	22117-593	22117-972	20117-752	22117-230	60114-121
23	47	2198	800	800	21117-173	22117-967	22117-180	22117-971	20117-756	22117-238	60114-121

Note: Doors can also be assembled laterally, in place of side panels

Cabinets – EurorackUniversal ServicePLUS

EURORACK UNIVERSAL DOORS

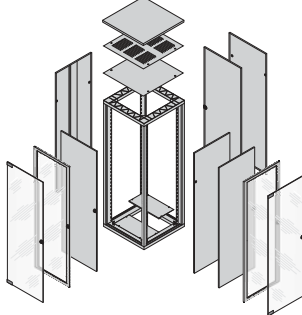
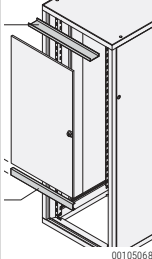
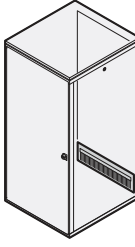
ORDER INFORMATION

					Glazed acrylic glass door Opening angle 120°		Steel door Opening angle 120°		Steel door Opening angle 180°		DIN profile half cylinder
					 <p style="text-align: right; font-size: small;">#4491b</p>		 <p style="text-align: right; font-size: small;">00101506</p>		 <p style="text-align: right; font-size: small;">00101504</p>		 <p style="text-align: right; font-size: small;">SZ444484</p>
					frame, Al, 2 mm, RAL 7035; acrylic glass, 2 mm, safety lock with 2 keys	frame, Al, 2 mm, RAL 7021, acrylic glass, 2 mm, safety lock with 2 keys	St, 1 mm, RAL 7035, safety lock with 2 keys	St, 1 mm, RAL 7021, safety lock with 2 keys	St, 1 mm, RAL 7035, lever handle (incl. blank insert), please order DIN profile half cylinder separately	St, 1 mm, RAL 7021, lever handle (incl. blank insert), please order DIN profile half cylinder separately	DIN profile half cylinder for lever handle
No.	Cabinet dimensions				RAL 7035	RAL 7021	RAL 7035	RAL 7021	RAL 7035	RAL 7021	
	Height	Width	Depth		1 piece	1 piece	1 piece	1 piece	1 piece	1 piece	1 piece
	U	mm	mm	mm	assembled	assembled	assembled	assembled	assembled	assembled	assembled
1	20	998	600	600							
2	20	998	600	800	20117-770	22117-944	21117-185	22117-935	-	-	-
3	25	1220	600	600							
4	25	1220	600	800	20117-771	22117-945	21117-186	22117-936	-	-	-
5	29	1398	600	600							
6	29	1398	600	800	20117-772	23117-011	21117-187	23117-012	22117-201	23117-013	60114-121
7	34	1620	600	600							
8	34	1620	600	800	20117-765	22117-946	21117-188	22117-937	22117-189	23117-014	60114-121
9	34	1620	600	900							
10	38	1798	600	600							
11	38	1798	600	800	20117-766	22117-947	21117-189	22117-938	22117-190	23117-015	60114-121
12	38	1798	600	900							
13	38	1798	800	600							
14	38	1798	800	800	20117-775	22117-948	21117-198	22117-939	22117-198	23117-016	60114-121
15	43	2020	600	600							
16	43	2020	600	800	20117-767	22117-949	21117-190	22117-940	22117-191	22117-973	60114-121
17	43	2020	600	900							
18	43	2020	800	600							
19	43	2020	800	800	20117-776	22117-950	21117-199	22117-941	22117-199	22117-974	60114-121
20	47	2198	600	600							
21	47	2198	600	800	20117-768	22117-951	21117-191	22117-942	22117-192	22117-975	60114-121
22	47	2198	600	900							
23	47	2198	800	800	20117-777	22117-952	21117-200	22117-957	22117-200	22117-976	60114-121

Cabinets – EurorackUniversal Ser-

EURORACK UNIVERSAL DOOR HINGE BRACKET, CABLE DUCTING

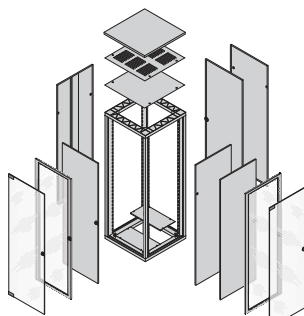
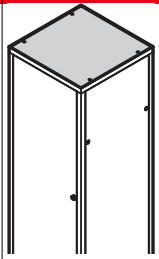
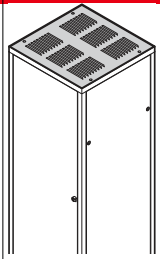
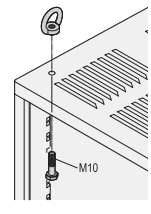
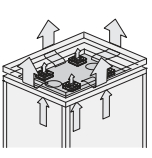
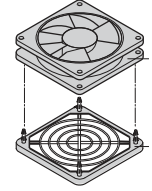
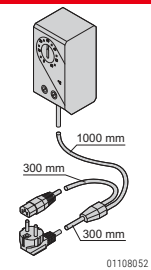
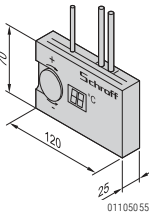
ORDER INFORMATION

					Door hinge bracket for Universal frame	Cable ducting frame	
						3 U	4 U
					 <p>00105068</p> <p>St, 1.5 mm, RAL 7021, assembly above or below shortened door, 1 U assembly area, please order 19" panel/slide mount and cable ducting plate separately</p>	 <p>SZA45958</p> <p>St, 2.5 mm, RAL 7021, with black brush strip for short doors or rear panels</p>	
No.	Cabinet dimensions				1 piece assembled	1 piece assembled	1 piece assembled
	Height U	Width mm	Depth mm	Depth mm			
1	20	998	600	600			
2	20	998	600	800	22117-799	20118-796	20118-797
3	25	1220	600	600			
4	25	1220	600	800	22117-799	20118-796	20118-797
5	29	1398	600	600			
6	29	1398	600	800	22117-799	20118-796	20118-797
7	34	1620	600	600			
8	34	1620	600	800	22117-799	20118-796	20118-797
9	34	1620	600	900			
10	38	1798	600	600			
11	38	1798	600	800	22117-799	20118-796	20118-797
12	38	1798	600	900			
13	38	1798	800	600			
14	38	1798	800	800	-	-	-
15	43	2020	600	600			
16	43	2020	600	800	22117-799	20118-796	20118-797
17	43	2020	600	900			
18	43	2020	800	600			
19	43	2020	800	800	-	-	-
20	47	2198	600	600			
21	47	2198	600	800	22117-799	20118-796	20118-797
22	47	2198	600	900			
23	47	2198	800	800	-	-	-

Cabinets – EurorackUniversal ServicePLUS

EURORACK UNIVERSAL FLUSH TOP COVERS

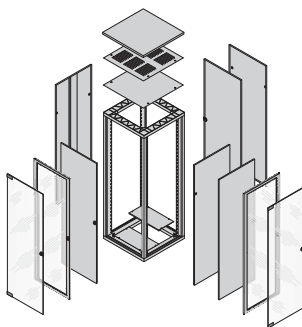
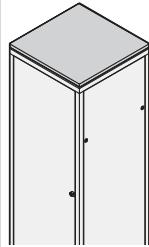
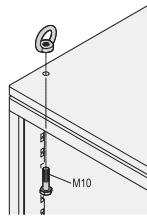
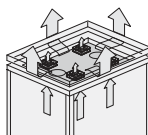
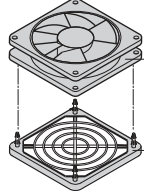
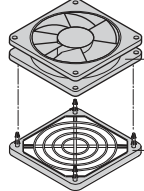
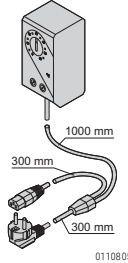
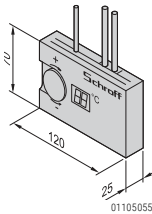
ORDER INFORMATION

					Flush top cover			Top cover fan for flush lowered top cover			
					Plain	Louvered	Lifting eyes	Fan tray without fan	Fan for fan tray	Thermostat	Speed control
					 <small>ERA44525</small> St, 1 mm, RAL 7021	 <small>ERA45344</small> St, 1 mm, RAL 7021	 <small>ERA44560</small> lifting eye for flush cover, application and static load-carrying capacity in accordance with DIN 582	 <small>ertp0055</small> St, 1.5 mm, RAL 7021, all 6 openings closed with PE blank plugs, terminal clamp with connecting cable, 2 m, IEC 60320 C14 plug	 <small>KT444844</small> axial fan 230 V _{AC} , 8 W, 90 m ³ /h, height 25 mm, protective grille, plastic, black, flammability UL 94 V-0	 <small>01108052</small> for fan tray, with mains cable 230 V _{AC} (SCHUKO/UTE plug/ IEC 60320 C13 socket), adjustment range 0 ... 60 °C	 <small>01105055</small> fully wired, 90 ... 264 V _{AC} input SCHUKO/UTE plug, outlet IEC 60320 C1 3 socket; external NTC sensor 1.5 m
No.	Cabinet dimensions				1 piece assembled	1 piece assembled	PU 4 pieces assembled	1 piece assembled	1 piece assembled	1 piece assembled	1 piece assembled
	Height U	Width mm	Depth mm	mm							
1	20	998	600	600	22117-801	22117-806	20117-080	22117-821	20713-048	24630-119	60715-005
2	20	998	600	800	22117-802	22117-807		22117-822			
3	25	1220	600	600	22117-801	22117-806	20117-080	22117-821	20713-048	24630-119	60715-005
4	25	1220	600	800	22117-802	22117-807		22117-822			
5	29	1398	600	600	22117-801	22117-806	20117-080	22117-821	20713-048	24630-119	60715-005
6	29	1398	600	800	22117-802	22117-807		22117-822			
7	34	1620	600	600	22117-801	22117-806		22117-821			
8	34	1620	600	800	22117-802	22117-807	20117-080	22117-822	20713-048	24630-119	60715-005
9	34	1620	600	900	22117-803	22117-808		22117-823			
10	38	1798	600	600	22117-801	22117-806		22117-821			
11	38	1798	600	800	22117-802	22117-807	20117-080	22117-822	20713-048	24630-119	60715-005
12	38	1798	600	900	22117-803	22117-808		22117-823			
13	38	1798	800	600	22117-802	22117-807	20117-080	22117-824	20713-048	24630-119	60715-005
14	38	1798	800	800	22117-804	22117-809		22117-825			
15	43	2020	600	600	22117-801	22117-806		22117-821			
16	43	2020	600	800	22117-802	22117-807	20117-080	22117-822	20713-048	24630-119	60715-005
17	43	2020	600	900	22117-803	22117-808		22117-823			
18	43	2020	800	600	22117-802	22117-807		22117-824			
19	43	2020	800	800	22117-804	22117-809	20117-080	22117-825	20713-048	24630-119	60715-005
20	47	2198	600	600	22117-801	22117-806		22117-821			
21	47	2198	600	800	22117-802	22117-807	20117-080	22117-822	20713-048	24630-119	60715-005
22	47	2198	600	900	22117-803	22117-808		22117-823			
23	47	2198	800	800	22117-804	22117-809	20117-080	22117-825	20713-048	24630-119	60715-005

Cabinets – EurorackUniversal Ser-

EURORACK UNIVERSAL RAISED TOP COVERS

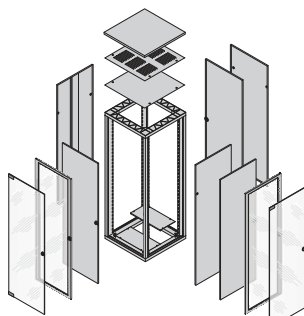
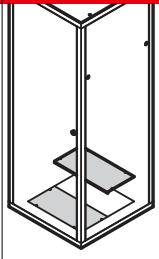
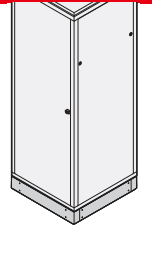
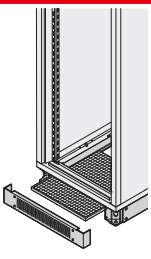
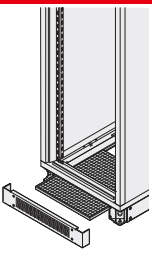
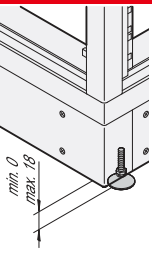
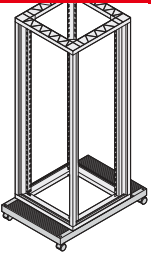
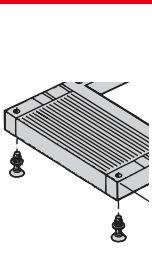
ORDER INFORMATION

					Raised top cover		Fan for raised top cover				
					Raised	Lifting eyes	Fan tray without fan	Fan for fan tray		Thermostat	Speed control
					 <small>ERA44526</small> St, 1.5 mm, RAL 7021, air gap all round 8 mm, IP 20	 <small>ERA44560</small> lifting eye for raised top cover, application and static load-carrying capacity in accordance with DIN 582	 <small>ertp0055</small> St, 1.5 mm, RAL 7021, all 6 openings closed with PE blank plugs, terminal clamp with connecting cable, 2 m, IEC- 60320 C14 plug	 <small>KTA44844</small> axial fan 230 V _{AC} , 15 W, 162 m ³ /h, height 38 mm, protective grille, plastic, black, flammability UL 94 V-0	 <small>KTA44844</small> axial fan 230 V _{AC} , 8 W, 90 m ³ /h, height 25 mm, protective grille, plastic, black, flammability UL 94 V-0	 <small>01108052</small> for fan tray, with mains cable 230 V _{AC} (SCHUKO/UTE plug/ IEC 60320 C13 socket), adjustment range 0 ... 60°C	 <small>01105055</small> fully wired, 90 ... 264 V _{AC} , input SCHUKO/UTE plug, outlet IEC 60320 C13 socket; external NTC sensor 1.5 m
No.	Cabinet dimensions				1 piece assembled	PU 4 pieces assembled	1 piece assembled	1 piece assembled	1 piece assembled	1 piece assembled	1 piece assembled
	Height U	Width mm	Depth mm	mm							
1	20	998	600	600	22117-811	20150-011	22117-821	20713-243	20713-048	24630-119	60715-005
2	20	998	600	800	22117-812	20150-011	22117-822	20713-243	20713-048	24630-119	60715-005
3	25	1220	600	600	22117-811	20150-011	22117-821	20713-243	20713-048	24630-119	60715-005
4	25	1220	600	800	22117-812	20150-011	22117-822	20713-243	20713-048	24630-119	60715-005
5	29	1398	600	600	22117-811	20150-011	22117-821	20713-243	20713-048	24630-119	60715-005
6	29	1398	600	800	22117-812	20150-011	22117-822	20713-243	20713-048	24630-119	60715-005
7	34	1620	600	600	22117-811	20150-011	22117-821	20713-243	20713-048	24630-119	60715-005
8	34	1620	600	800	22117-812	20150-011	22117-822	20713-243	20713-048	24630-119	60715-005
9	34	1620	600	900	22117-813	20150-011	22117-823	20713-243	20713-048	24630-119	60715-005
10	38	1798	600	600	22117-811	20150-011	22117-821	20713-243	20713-048	24630-119	60715-005
11	38	1798	600	800	22117-812	20150-011	22117-822	20713-243	20713-048	24630-119	60715-005
12	38	1798	600	900	22117-813	20150-011	22117-823	20713-243	20713-048	24630-119	60715-005
13	38	1798	800	600	22117-812	20150-011	22117-824	20713-243	20713-048	24630-119	60715-005
14	38	1798	800	800	22117-814	20150-011	22117-825	20713-243	20713-048	24630-119	60715-005
15	43	2020	600	600	22117-811	20150-011	22117-821	20713-243	20713-048	24630-119	60715-005
16	43	2020	600	800	22117-812	20150-011	22117-822	20713-243	20713-048	24630-119	60715-005
17	43	2020	600	900	22117-813	20150-011	22117-823	20713-243	20713-048	24630-119	60715-005
18	43	2020	800	600	22117-812	20150-011	22117-824	20713-243	20713-048	24630-119	60715-005
19	43	2020	800	800	22117-814	20150-011	22117-825	20713-243	20713-048	24630-119	60715-005
20	47	2198	600	600	22117-811	20150-011	22117-821	20713-243	20713-048	24630-119	60715-005
21	47	2198	600	800	22117-812	20150-011	22117-824	20713-243	20713-048	24630-119	60715-005
22	47	2198	600	900	22117-813	20150-011	22117-823	20713-243	20713-048	24630-119	60715-005
23	47	2198	800	800	22117-814	20150-011	22117-825	20713-243	20713-048	24630-119	60715-005

Cabinets – EurorackUniversal ServicePLUS

EURORACK UNIVERSAL BASE PLATES, PLINTHS

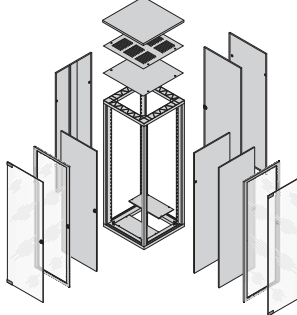
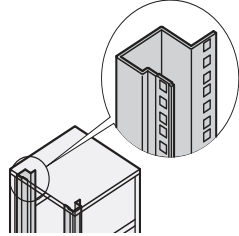
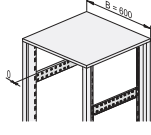
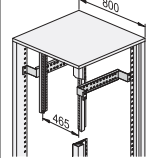
ORDER INFORMATION

					Base plate	Fixed base/plinth, height 100 mm			Mobile base/plinth		
						Plain	With ventilation	Filter mat	Adjustable feet	Base/plinth	Jacking foot
					 00108051 St, 1.5 mm, RAL 7021, two parts, mounting on frame	 ERA44532 base/plinth, Al die-cast, covers, St, 2.5 mm, RAL 7021	 ERTP0057 base/plinth, Al die-cast, covers, St, 2.5 mm, RAL 7021, front and rear with ventilation openings	 ERTP0057 filter mat for fixed base/plinth, with ventilation	 era44553 St, PA, black, load-carrying capacity 100 kg per foot	 era45323 Al die-cast, RAL 7021, static load-carrying capacity 300 kg, with rubber mat, 4 castors, PA	 ERA44532 for mobile base, mounted below front, adjustment from above
No.	Cabinet dimensions				PU 2 pieces enclosed loose	1 piece assembled	1 piece assembled	PU 3 pieces enclosed loose	PU 4 pieces assembled	1 piece assembled	PU 2 pieces assembled
	Height U	Width mm	Depth mm	mm							
1	20	998	600	600	22117-826	22117-830	22117-864	60114-514	21101-201	22117-869	20117-503
2	20	998	600	800	22117-827	22117-831	22117-865	60114-515			
3	25	1220	600	600	22117-826	22117-830	22117-864	60114-514	21101-201	22117-869	20117-503
4	25	1220	600	800	22117-827	22117-831	22117-865	60114-515			
5	29	1398	600	600	22117-826	22117-830	22117-864	60114-514	21101-201	22117-869	20117-503
6	29	1398	600	800	22117-827	22117-831	22117-865	60114-515			
7	34	1620	600	600	22117-826	22117-830	22117-864	60114-514	21101-201	22117-869	20117-503
8	34	1620	600	800	22117-827	22117-831	22117-865	60114-515	21101-201	22117-869	20117-503
9	34	1620	600	900	22117-828	22117-832	22117-866	-	21101-201	-	-
10	38	1798	600	600	22117-826	22117-830	22117-864	60114-514	21101-201	22117-869	20117-503
11	38	1798	600	800	22117-827	22117-831	22117-865	60114-515	21101-201	22117-869	20117-503
12	38	1798	600	900	22117-828	22117-832	22117-866	-	21101-201	-	-
13	38	1798	800	600	22117-827	22117-833	22117-867	60114-517	21101-201	-	-
14	38	1798	800	800	22117-829	22117-834	22117-868	60114-518			
15	43	2020	600	600	22117-826	22117-830	22117-864	60114-514	21101-201	22117-869	20117-503
16	43	2020	600	800	22117-827	22117-831	22117-865	60114-515	21101-201	22117-869	20117-503
17	43	2020	600	900	22117-828	22117-832	22117-866	-	21101-201	-	-
18	43	2020	800	600	22117-827	22117-833	22117-867	60114-517			
19	43	2020	800	800	22117-829	22117-834	22117-868	60114-518	21101-201	-	-
20	47	2198	600	600	22117-827	22117-830	22117-864	60114-514	21101-201	22117-869	20117-503
21	47	2198	600	800	22117-829	22117-831	22117-865	60114-515	21101-201	22117-869	20117-503
22	47	2198	600	900	22117-827	22117-832	22117-866	-	21101-201	-	-
23	47	2198	800	800	22117-829	22117-834	22117-868	60114-518	21101-201	-	-

Cabinets – EurorackUniversal Ser-

EURORACK UNIVERSAL 19" PANEL/SLIDE MOUNTS

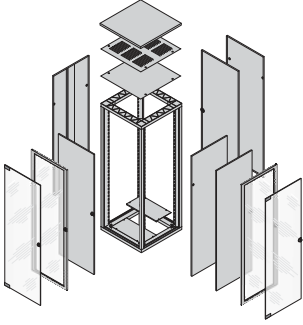
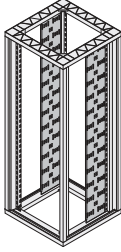
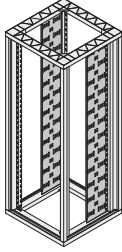
ORDER INFORMATION

					19" panel/slide mount		Depth member for 600 mm width	Reduced width depth member for 800 mm width
					RAL 7021	AlZn		
								
					St, 1.5 mm, for depth-adjustable fitting: cabinet depth 600 mm: please order depth members, cabinet depth 800 mm: please order reduced-width depth members		St, 1.5 mm, AlZn	St, 2.5 mm, zinc-plated, RAL 7021, 19" plane at least 110 mm from front edge of cabinet; please order panel/slide mounts (2 pairs) separately
No.	Cabinet dimensions			RAL 7021	AlZn	AlZn	RAL 7021	
	Height U	Width mm	Depth mm	PU 2 pieces assembled	PU 2 pieces assembled	PU 2 pieces assembled	PU 2 pieces assembled	
1	20	998	600	600		22117-389	-	
2	20	998	600	800	23117-017	22117-352	22117-390	
3	25	1220	600	600	23117-018	22117-353	22117-389	
4	25	1220	600	800			22117-390	
5	29	1398	600	600	23117-019	22117-354	22117-389	
6	29	1398	600	800			22117-390	
7	34	1620	600	600			22117-389	
8	34	1620	600	800	22117-835	22117-355	22117-390	
9	34	1620	600	900			22117-391	
10	38	1798	600	600			22117-389	
11	38	1798	600	800	22117-836	22117-356	22117-390	
12	38	1798	600	900			22117-391	
13	38	1798	800	600	22117-836	22117-356	-	
14	38	1798	800	800			22117-839 22117-840	
15	43	2020	600	600			22117-389	
16	43	2020	600	800	22117-837	22117-357	22117-390	
17	43	2020	600	900			22117-391	
18	43	2020	800	600	22117-837	22117-357	-	
19	43	2020	800	800			22117-839 22117-840	
20	47	2198	600	600			22117-389	
21	47	2198	600	800	22117-838	22117-358	22117-390	
22	47	2198	600	900			22117-391	
23	47	2198	800	800	22117-838	22117-358	-	
							22117-840	

Cabinets – EurorackUniversal ServicePLUS

EURORACK UNIVERSAL LATERAL CABLE DUCTING

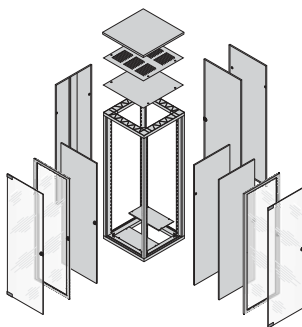
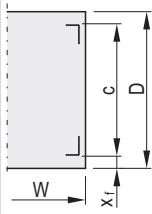
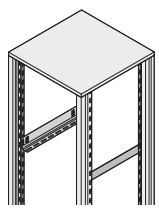
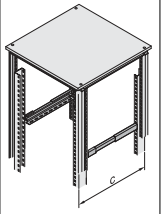
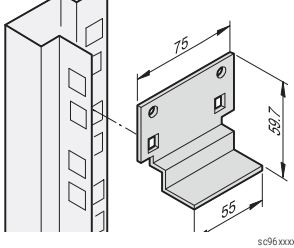
ORDER INFORMATION

					Lateral cable ducting			
					Cable panel Width 150 mm		Cable panel Width 250 mm	
					 00108061		 00108061	
No.	Cabinet dimensions				RAL 7035	RAL 7021	RAL 7035	RAL 7021
	U	mm	mm	mm	PU 2 pieces assembled	PU 2 pieces assembled	PU 2 pieces assembled	PU 2 pieces assembled
1	20	998	600	600	-	-	-	-
2	20	998	600	800	-	-	-	-
3	25	1220	600	600	-	-	-	-
4	25	1220	600	800	-	-	-	-
5	29	1398	600	600	-	-	-	-
6	29	1398	600	800	-	-	-	-
7	34	1620	600	600	-	-	-	-
8	34	1620	600	800	-	-	-	-
9	34	1620	600	900	-	-	-	-
10	38	1798	600	600	-	-	-	-
11	38	1798	600	800	23117-026	23117-020	23117-029	23117-023
12	38	1798	600	900	-	-	-	-
13	38	1798	800	600	23117-026	23117-020	23117-029	23117-023
14	38	1798	800	800	-	-	-	-
15	43	2020	600	600	-	-	-	-
16	43	2020	600	800	23117-027	23117-021	23117-030	23117-024
17	43	2020	600	900	-	-	-	-
18	43	2020	800	600	-	-	-	-
19	43	2020	800	800	23117-027	23117-021	23117-030	23117-024
20	47	2198	600	600	-	-	-	-
21	47	2198	600	800	23117-028	23117-022	23117-031	23117-025
22	47	2198	600	900	-	-	-	-
23	47	2198	800	800	23117-028	23117-022	23117-031	23117-025

Cabinets – EurorackUniversal Ser-

EURORACK UNIVERSAL 19" SLIDE RAILS

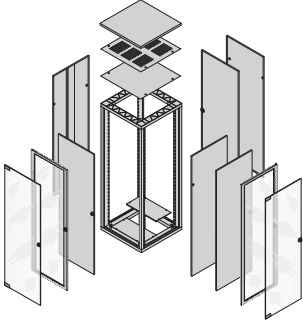
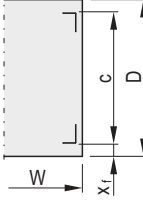
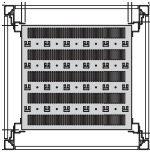
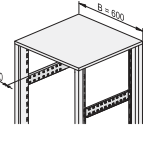
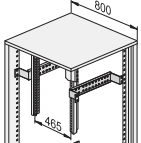
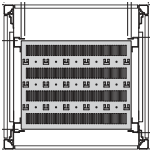
ORDER INFORMATION

					Dimensions standard assembly		Slide rail 25 kg		40 kg, depth-adjustable	Short slide rail		
												
					00205066		00108056		41 003081	sc96xxxx		
					<p>X_f = distance from front c = pitch of 19" plane D = cabinet depth W = cabinet width</p>		<p>St, 1.5 mm, finish AlZn, static load-carrying capacity 25 kg/pair, panel/slide mounts (2 pairs), please order reduced width/depth members separately see page 1.309</p>		<p>St, 1.5 mm, finish AlZn, static load-carrying capacity 40 kg/pair, depth-adjustable (c: 675-850 mm); please order panel/slide mounts (2 pairs) separately see page 1.309</p>	<p>St, 1.5 mm, finish AlZn, static load-carrying capacity 15 kg/pair</p>		
No.	Cabinet dimensions			X_f mm	c mm	PU 2 pieces		PU 2 pieces enclosed loose	PU 2 pieces enclosed loose		PU 10 pieces enclosed loose	
	Height U	Width mm	Depth mm			enclosed	loose		enclosed	loose	enclosed	loose
1	20	998	600	600	60	480	22127-094	21127-197	-	20118-592	20118-593	
2	20	998	600	800	60	680	22127-095	21127-198	28127-001	20118-592	20118-593	
3	25	1220	600	600	60	480	22127-094	21127-197	-	20118-592	20118-593	
4	25	1220	600	800	60	680	22127-095	21127-198	28127-001	20118-592	20118-593	
5	29	1398	600	600	60	480	22127-094	21127-197	-	20118-592	20118-593	
6	29	1398	600	800	60	680	22127-095	21127-198	28127-001	20118-592	20118-593	
7	34	1620	600	600	60	480	22127-094	21127-197	-	20118-592	20118-593	
8	34	1620	600	800	60	680	22127-095	21127-198	28127-001	20118-592	20118-593	
9	34	1620	600	900	60	780	22127-096	21127-199	28127-001	20118-592	20118-593	
10	38	1798	600	600	60	480	22127-094	21127-197	-	20118-592	20118-593	
11	38	1798	600	800	60	680	22127-095	21127-198	28127-001	20118-592	20118-593	
12	38	1798	600	900	60	780	22127-096	21127-199	28127-001	20118-592	20118-593	
13	38	1798	800	600	110	380	22127-094	-	-	20118-592	20118-593	
14	38	1798	800	800	110	580	25127-575	21127-197	-	20118-592	20118-593	
15	43	2020	600	600	60	480	22127-094	21127-197	-	20118-592	20118-593	
16	43	2020	600	800	60	680	22127-095	21127-198	28127-001	20118-592	20118-593	
17	43	2020	600	900	60	780	22127-096	21127-197	28127-001	20118-592	20118-593	
18	43	2020	800	600	110	380	22127-094	-	-	20118-592	20118-593	
19	43	2020	800	800	110	580	25127-575	21127-197	-	20118-592	20118-593	
20	47	2198	600	600	60	480	22127-094	21127-197	-	20118-592	20118-593	
21	47	2198	600	800	60	680	22127-095	21127-198	28127-001	20118-592	20118-593	
22	47	2198	600	900	60	780	22127-096	21127-197	28127-001	20118-592	20118-593	
23	47	2198	800	800	110	580	22127-094	21127-197	-	20118-592	20118-593	

Cabinets – EurorackUniversal ServicePLUS

EURORACK UNIVERSAL FIXED 19" SHELVES

ORDER INFORMATION

		Dimensions standard assembly		Fixed shelf, 1 U, 75 kg		Depth member for 600 mm width	Reduced width depth member for 800 mm width			
				Full depth	Recessed by c - 100 mm					
										
										
		<p>X_f = distance from front c = pitch of 19" plane D = cabinet depth W = cabinet width</p>		<p>St, 1.5 mm, RAL 7021, with perforation, static load-carrying capacity 75 kg, incl. GND/earthing; panel/slide mounts (2 pairs), please order depth members or reduced width depth members separately see page 1.309</p>		<p>St, 1.5 mm, AlZn</p>	<p>St, 2.5 mm, zinc-plated, RAL 7021, 19" plane at least 110 mm from front edge of cabi-net; please order panel/slide mounts (2 pairs) separately see page 1.309</p>			
No.	Cabinet dimensions			X _f mm	c mm	1 piece assembled	1 piece assembled	PU 2 pieces assembled	PU 2 pieces assembled	
	Height U	Width mm	Depth mm							
1	20	998	600	600	60	480	22117-842	22117-845	22117-389	-
2	20	998	600	800	60	680	22117-843	22117-671	22117-390	-
3	25	1220	600	600	60	480	22117-842	22117-845	22117-389	-
4	25	1220	600	800	60	680	22117-843	22117-671	22117-390	-
5	29	1398	600	600	60	480	22117-842	22117-845	22117-389	-
6	29	1398	600	800	60	680	22117-843	22117-671	22117-390	-
7	34	1620	600	600	60	480	22117-842	22117-845	22117-389	-
8	34	1620	600	800	60	680	22117-843	22117-671	22117-390	-
9	34	1620	600	900	60	780	22117-844	22117-843	22117-391	-
10	38	1798	600	600	60	480	22117-842	22117-845	22117-389	-
11	38	1798	600	800	60	680	22117-843	22117-671	22117-390	-
12	38	1798	600	900	60	780	22117-844	22117-843	22117-391	-
13	38	1798	800	600	110	380	22117-842	-	-	22117-839
14	38	1798	800	800	110	580	22117-861	-	-	22117-840
15	43	2020	600	600	60	480	22117-842	22117-845	22117-389	-
16	43	2020	600	800	60	680	22117-843	22117-671	22117-390	-
17	43	2020	600	900	60	780	22117-844	22117-843	22117-391	-
18	43	2020	800	600	110	380	22117-842	-	-	22117-839
19	43	2020	800	800	110	580	22117-861	-	-	22117-840
20	47	2198	600	600	60	480	22117-842	22117-845	22117-389	-
21	47	2198	600	800	60	680	22117-843	22117-671	22117-390	-
22	47	2198	600	900	60	780	22117-844	22117-843	22117-391	-
23	47	2198	800	800	110	580	22117-861	-	-	22117-840

Cabinets – EurorackUniversal Ser-

EURORACK UNIVERSAL TELESCOPIC 19" SHELVES

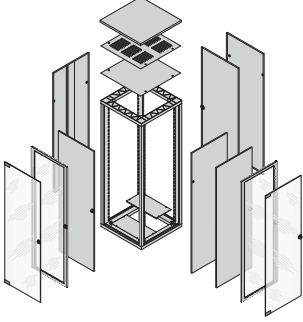
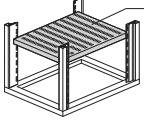
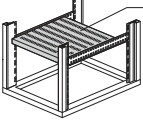
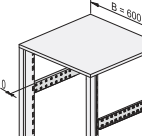
ORDER INFORMATION

					Dimensions standard assembly	Shelf, telescopic, 2 U, 70 kg		T-bar lock	GND/earthing
						Full depth	Shortened by 100 mm		
					<p>00205066</p> <p>x_f = distance from front c = pitch of 19" plane D = cabinet depth W = cabinet width</p>	<p>00105069</p>	<p>00105070</p>	<p>01004125</p> <p>to lock the telescopic shelf</p>	<p>05904052</p> <p>for telescopic shelf</p>
No.	Cabinet dimensions								
	U	mm	mm	mm	c mm	1 piece assembled	1 piece assembled	1 piece assembled	PU 1 kit assembled
1	20	998	600	600	450 - 550	21130-353	21130-352	23130-092	21120-189
2	20	998	600	800	650 - 750	21130-355	21130-354	23130-092	21120-189
3	25	1220	600	600	450 - 550	21130-353	21130-352	23130-092	21120-189
4	25	1220	600	800	650 - 750	21130-355	21130-354	23130-092	21120-189
5	29	1398	600	600	450 - 550	21130-353	21130-352	23130-092	21120-189
6	29	1398	600	800	650 - 750	21130-355	21130-354	23130-092	21120-189
7	34	1620	600	600	450 - 550	21130-353	21130-352	23130-092	21120-189
8	34	1620	600	800	650 - 750	21130-355	21130-354	23130-092	21120-189
9	34	1620	600	900	-	-	-	-	-
10	38	1798	600	600	450 - 550	21130-353	21130-352	23130-092	21120-189
11	38	1798	600	800	650 - 750	21130-355	21130-354	23130-092	21120-189
12	38	1798	600	900	-	-	-	-	-
13	38	1798	800	600	-	-	-	-	-
14	38	1798	800	800	-	-	-	-	-
15	43	2020	600	600	450 - 550	21130-353	21130-352	23130-092	21120-189
16	43	2020	600	800	650 - 750	21130-355	21130-354	23130-092	21120-189
17	43	2020	600	900	-	-	-	-	-
18	43	2020	800	600	-	-	-	-	-
19	43	2020	800	800	-	-	-	-	-
20	47	2198	600	600	450 - 550	21130-353	21130-352	23130-092	21120-189
21	47	2198	600	800	450 - 550	21130-355	21130-354	23130-092	21120-189
22	47	2198	600	900	-	-	-	-	-
23	47	2198	800	800	-	-	-	-	-

Cabinets – EurorackUniversal ServicePLUS

EURORACK UNIVERSAL FIXED SHELVES ON UNIVERSAL CABINET UPRIGHTS

ORDER INFORMATION

					Fixed shelf		
					Full depth	Shortened by 100 mm	Depth member
					 00106053 St 1.5 mm, RAL 7021, load-carrying capacity 75 kg, incl. GND/earthing	 00106054 St 1.5 mm, RAL 7021, load-carrying capacity 75 kg, incl. GND/earthing, depth member required, please order separately	 ERTP0045 St, 1.5 mm, AlZn
Cabinet dimensions					1 piece assembled	1 piece assembled	PU 2 pieces assembled
No.	U	Height mm	Width mm	Depth mm			
1	20	998	600	600	22117-846	22117-851	22117-389
2	20	998	600	800	22117-847	22117-852	22117-390
3	25	1220	600	600	22117-846	22117-851	22117-389
4	25	1220	600	800	22117-847	22117-852	22117-390
5	29	1398	600	600	22117-846	22117-851	22117-389
6	29	1398	600	800	22117-847	22117-852	22117-390
7	34	1620	600	600	22117-846	22117-851	22117-389
8	34	1620	600	800	22117-847	22117-852	22117-390
9	34	1620	600	900	22117-848	22117-847	22117-391
10	38	1798	600	600	22117-846	22117-851	22117-389
11	38	1798	600	800	22117-847	22117-852	22117-390
12	38	1798	600	900	22117-848	22117-847	22117-391
13	38	1798	800	600	22117-849	22117-853	22117-389
14	38	1798	800	800	22117-850	22117-854	22117-390
15	43	2020	600	600	22117-846	22117-851	22117-389
16	43	2020	600	800	22117-847	22117-852	22117-390
17	43	2020	600	900	22117-848	22117-847	22117-391
18	43	2020	800	600	22117-849	22117-853	22117-389
19	43	2020	800	800	22117-850	22117-854	22117-390
20	47	2198	600	600	22117-846	22117-851	22117-389
21	47	2198	600	800	22117-847	22117-852	22117-390
22	47	2198	600	900	22117-848	22117-847	22117-391
23	47	2198	800	800	22117-850	22117-854	22117-390

Cabinets – EurorackUniversal Ser-

EURORACK UNIVERSAL TELESCOPIC SHELVES ON UNIVERSAL CABINET UPRIGHTS

ORDER INFORMATION

					Telescopic shelf, Universal eurorack					General components
					Full depth	Shortened by 100 mm	Telescopic slides	T-bar lock	GND/earthing	
					 00105072 St, 1.5 mm, RAL 7021, please order telescopic slides and T-bar lock separately	 00105073 St, 1.5 mm, RAL 7021, please order telescopic slides and T-bar lock separately	 ERA46351 St, zinc-plated	 01004125 to lock the telescopic shelf	 aza43284 for telescopic shelf	Mechanics from page 4.0
No.	Cabinet dimensions				1 piece assembled	1 piece assembled	PU 2 pieces assembled	1 piece assembled	PU 1 kit assembled	from page 3.29
	U	mm	mm	mm						
1	20	998	600	600	22117-855	22117-860	22114-340	21101-132	21101-178	Power distribution from page 3.50
2	20	998	600	800	22117-856	22117-861	22114-342	21101-132	21101-178	
3	25	1220	600	600	22117-855	22117-860	22114-340	21101-132	21101-178	
4	25	1220	600	800	22117-856	22117-861	22114-342	21101-132	21101-178	
5	29	1398	600	600	22117-855	22117-860	22114-340	21101-132	21101-178	
6	29	1398	600	800	22117-856	22117-861	22114-342	21101-132	21101-178	
7	34	1620	600	600	22117-855	22117-860	22114-340	21101-132	21101-178	
8	34	1620	600	800	22117-856	22117-861	22114-342	21101-132	21101-178	
9	34	1620	600	900	-	-	-	-	-	
10	38	1798	600	600	22117-855	22117-860	22114-340	21101-132	21101-178	
11	38	1798	600	800	22117-856	22117-861	22114-342	21101-132	21101-178	
12	38	1798	600	900	-	-	-	-	-	
13	38	1798	800	600	22117-858	22117-862	22114-340	21101-132	21101-178	Climate control from page 4.0
14	38	1798	800	800	22117-859	22117-863	22114-342	21101-132	21101-178	
15	43	2020	600	600	22117-855	22117-860	22114-340	21101-132	21101-178	
16	43	2020	600	800	22117-856	22117-861	22114-342	21101-132	21101-178	
17	43	2020	600	900	-	-	-	-	-	
18	43	2020	800	600	22117-858	22117-862	22114-340	21101-132	21101-178	
19	43	2020	800	800	22117-859	22117-863	22114-342	21101-132	21101-178	
20	47	2198	600	600	22117-855	22117-860	22114-340	21101-132	21101-178	
21	47	2198	600	800	22117-856	22117-861	22114-342	21101-132	21101-178	
22	47	2198	600	900	-	-	-	-	-	
23	47	2198	800	800	22117-859	22117-863	22114-342	21101-132	21101-178	

North America

Warwick, RI, USA

Tel +1.401.738.1722

San Diego, CA, USA

Tel +1.858.740.2400

Europe, Middle East & India

Straubenhardt, Germany

Tel +49 7082 794 0

Betschdorf, France

Tel +33 3 88 90 64 90

Warsaw, Poland

Tel +48 22 209 98 35

Hemel Hempstead,

Great Britain

Tel +44 1442 24 04 71

Lainate, Italy

Tel +39 02 932 714 1

Dubai, United Arab Emirates

Tel +971 4 82 38 666

Bangalore, India

Tel +91 80 6715 8900

Istanbul, Turkey

Tel +90 541 368 0941

Asia Pacific

Shanghai, China

Tel +86 21 2412 6943

Singapore

Tel +65 6768 5800

Shin-Yokohama, Japan

Tel +81 45 476 0271

Our powerful portfolio of brands:

CADDY ERICO HOFFMAN RAYCHEM SCHROFF TRACER



[nVent.com/SCHROFF](https://www.nVent.com/SCHROFF)