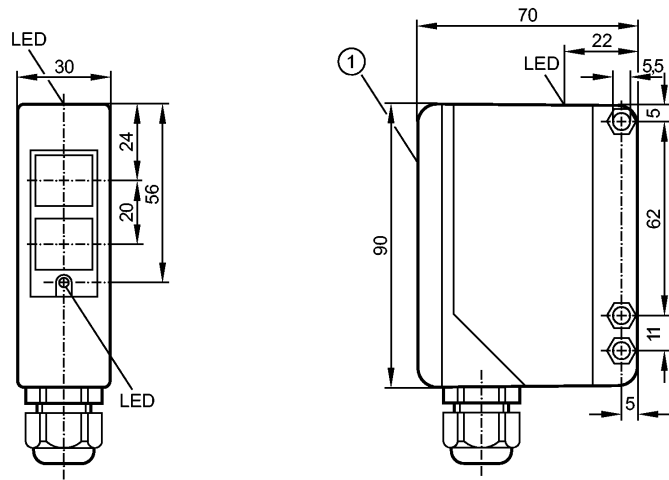


**OA0106**

OAP-FKOA

Photoelectric sensors



1: selection switch, pot's (under cover)

Receiver in upper lens, transmitter in lower lens



Made in Germany

**Product characteristics**

Retro-reflective sensor
Rectangular, plastics
Terminals
Polarisation filter
Sensing range 0.2...8m (Prismatic reflector Ø 80 (E20005))
adjustable

**Electrical data**

Electrical design	AC/DC relay
Operating voltage [V]	20...250 AC/DC (47...63 Hz AC)
Power consumption [VA]	< 2
Type of light	red light 660 nm
Protection class	II
Reverse polarity protection	no

**Outputs**

Output function	light-on / dark-on programmable
Contact rating	250 V AC / 3 A / 360 VA, 125 V DC / 3 A / 30 W
Short-circuit proof	no
Overload protection	no
Switching frequency [Hz]	10

**Range**

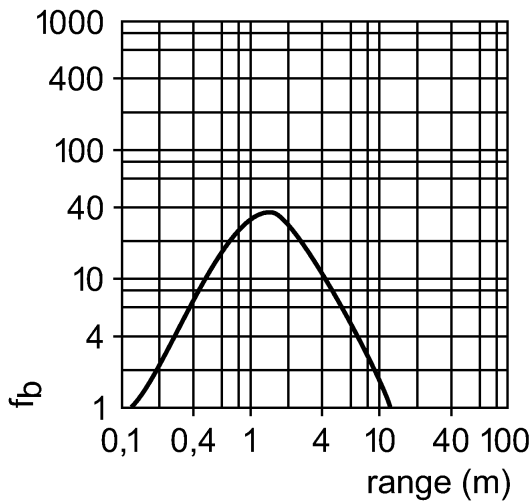
Sensing range [m]	0.2...8 (Prismatic reflector Ø 80 (E20005))
Range referred to prismatic reflector [m]	Ø 80 0.2...8 Ø 40 0.2...5 Ø 22 0.35...2.5
Light spot diameter [mm]	420 ( at maximum range )

**Excess gain graphs**

**OA0106**

OAP-FKOA

Photoelectric sensors



**Environment**

Ambient temperature	[°C]	-25...60
Protection		IP 65

**Tests / approvals**

EMC		EN 60947-5-2 EN 55011:	class B
MTTF	[Years]		288

**Mechanical data**

Housing materials		modified PPO
Lens material		PMMA
Weight	[kg]	0.307

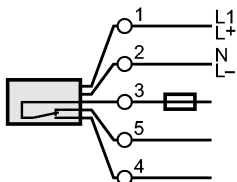
**Displays / operating elements**

Output status indication	LED	yellow
Operation	LED	green
Function display	LED	red

**Electrical connection**

Connection	terminals up to 1.5 mm <sup>2</sup> ; cable diameter 4.5...10 mm, cable gland M16 x 1.5
------------	---

**Wiring**



Note: miniature fuse to IEC60127-2 sheet 1, ≤ 5 A (fast acting)

**Accessories**

Accessories (included)	Angle bracket; E20514; screwdriver
------------------------	------------------------------------

**Remarks**

Remarks	Recommendation: check the unit for reliable function after a short circuit.
---------	---

Pack quantity	[piece]	1
---------------	---------	---