

Overview	0
Cabinets	1
Wall mounted cases	2
Accessories for cabinets and wall mounted cases	3
Climate control	4
Desk-top cases	5
Sub racks/ 19" chassis	6
Front panels, plug-in units	7
Systems	8
Power supply units	9
Backplanes	10
Connectors, front panel component system	11
Appendix	12

Plug-in units



04612001

Plug-in units as kits or from individual parts

- Handles in different designs for various applications
- Inserter/extractor handles for forces up to 1500 N
- Upgradable EMC shielding

Standards

- IEC 60297-3-101 / IEEE 1101.1/11
- IEC 60297-3-102 / IEEE 1101.10
- IEC 60297-3-103
- IEC 1296



30407004

ServicePLUS

- e.g. individual configuration and assembly
- e.g. modifications (special colours or sizes)
- e.g. custom solutions with modification to the plug-in units

www.frontpanelexpress.eu

Downloads and further important information can be found on the Internet under www.schroff.biz

Plug-in units

Overview ... 7.17

Handles for plug-in units



04603002

For CompactPCI and VME64x applications

Inserter/extractor handle, type IEL/IET, allows keying/coding and insertion/extraction forces up to 700 N per pair

Kit
Page Individual
components
Page

7.18 7.19

Plug-in units with injector and extractor handles

For CompactPCI and VME64x applications ... 7.18



04605005

For VPX, VXS, CompactPCI and VME64x applications

Inserter/extractor handle, type XL, allows keying/coding and insertion/extraction forces up to 1500 N per pair

– 7.29

For VPX, VXS, CompactPCI and VME64x applications ... 7.29



04604059

For e.g. VMEbus applications

Trapeziform extractor handle, type 2

7.31 7.33

For e.g. VMEbus applications type 2 ... 7.31



04692008

For e.g. VMEbus applications

Trapeziform extractor handle, type 1

7.38 7.40

For e.g. VMEbus applications type 1 ... 7.38



04692011

For Multibus® II applications

Extractor handle, multibus type II, IEC 60297

– 7.44

For Multibus® II applications ... 7.44



04692008

For plug-in units in accordance with IEC 60297

Extractor handle in key form 1

– 7.46

For plug-in units in accordance with IEC 60297 ... 7.46



04692010

For plug-in units in accordance with IEC 60297

Extractor handle in key form 2

– 7.49

For plug-in units in accordance with IEC 60297 ... 7.49



04692003

For plug-in units in accordance with IEC 60297

Static handle

7.52 7.54

For plug-in units in accordance with IEC 60297 ... 7.52



04692004

Accessories for plug-in units

Mechanical protection for static trapeziform handle and fixing materials kit

7.62 –

Accessories for plug-in units ... 7.60

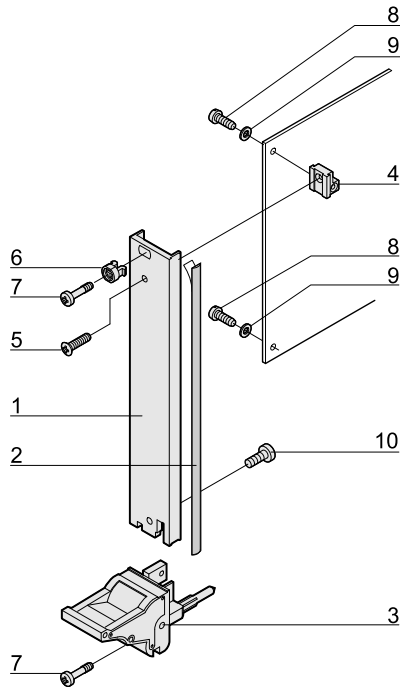
PCB cover ... 7.62

Plug-in units – for CompactPCI, VME64x

Kits

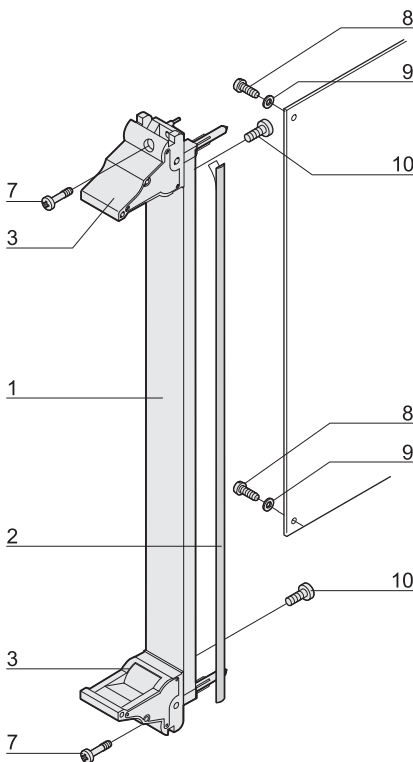
Plug-in units with IEL inserter/extractor handle for CompactPCI/VME64x applications

3 U



04602073

6 U



04602074

- In accordance with IEEE 1101.10 and IEC 60297-3-102
- Codable to IEC 60297-3-103/ IEEE 1101.10
- Front panel shielded
- Suitable for insertion and extraction forces up to 700 N (per pair)
- Suitable for fitting microswitches

Delivery comprises (kit)

Item	3 U		6 U		Description
	<8HP	≥8HP	<8HP	≥8HP	
1	1	1	1	1	Front panel (U profile), Al, front anodised, rear conductive
2	1	1	1	1	EMC sealing (textile), core: foam, sleeve: textile cladding, CuNi coated
3	1	1	2	2	Handle with integrated alignment pin for perforated strips and guide rails, lever: plastic, PC, black, RAL 9005 key: plastic, PC, light grey, RAL 7035
4	1	1	-	-	Board support, die-cast zinc
5	1	1	-	-	Raised Pozidrive countersunk screw M2.5 × 8, St, nickel-plated
6	1	3	-	2	Sleeve, PA, grey
7	2	4	2	4	Pozidrive collar screw, M2.5 × 12.3, St, nickel-plated
8	2	2	2	2	Panhead screw with Torx/slot, M2.5 × 6, St, zinc-plated, self-locking
9	2	2	2	2	Washer A2.7, DIN 125, St, nickel-plated
10	1	1	2	2	Panhead screw with Torx, M2.5 × 7, St, nickel-plated

Order Information

Width HP	Part no.	Part no.
	Rear I/O	Front assembly
3 U Height		
4	20848-751	20848-585
6	-	20848-587
8	20848-752	20848-589
10	-	20848-590
12	-	20848-591
6 U Height		
4	-	20848-592
6	-	20848-594
8	-	20848-596
10	-	20848-597
12	-	20848-598

Accessories

Microswitch for handles, CompactPCI/VME64x application	PU 10 pieces	20817-606
---	--------------	-----------

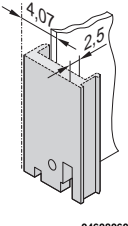
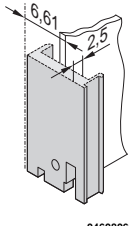
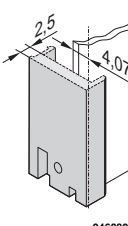
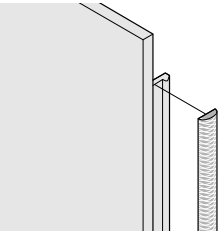
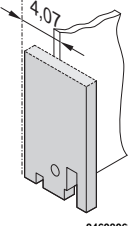
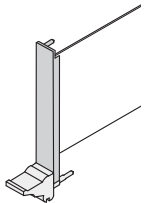
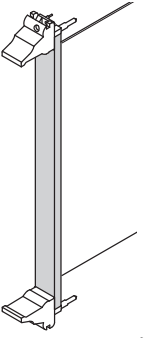
- Dimension drawing of front profile see page 7.25
- Description of microswitch see page 7.29

Plug-in units – for CompactPCI, VME64x

Individual components

Front panels, U-profiles, for extractor handles, type IEL, IET

Order Information

	Front panel, U profile, shieldable			Textile EMC gasket		Front panel, flat, unshielded, front mounting	
	Front mounting	Front mounting, PCB fixing with 0.1" offset	Rear I/O mounting				
	 04608060	 04608062	 04608061	 BGA45760		 04608063	
	Al extrusion, 2.5 mm, front anodised, rear conductive; alignment pin pressed-in (3 U only), stainless steel; manufacturing process causes various surface structures to appear between 4 to 12 HP and 14 to 16 HP			always fixed laterally on the front panel, in the groove of the profile, textile gasket, core: foam, sleeve: textile cladding with CuNi coating, UL 94 V-0, temperature range -40 ... 70 °C		front panel, Al, 2.5 mm, front anodised, rear iridescent green chromated	
Width HP	1 piece (SPQ 5)¹⁾	1 piece (SPQ 5)¹⁾	1 piece (SPQ 5)¹⁾	PU 10 pieces	PU 100 pieces	1 piece (SPQ 5)¹⁾	
3 U Height							
 04608067	4	30848-312	30848-426	30848-867			30848-327
	5	30848-300	30848-427	–			30848-328
	6	30848-313	30848-428	–			30848-329
	7	30848-301	30848-429	–			30848-330
	8	30848-314	30848-430	30848-869			30848-331
	9	20848-227	–	–	21101-853	21101-854	–
	10	30848-315	30848-431	–			30848-333
	11	20848-228	–	–			–
	12	30848-316	30848-432	30848-985			30848-335
	14	20848-230	–	–			–
	16	20848-232	–	–			–
6 U Height							
 04608066	4	30848-317	30848-317	30848-317			30848-336
	5	30848-304	30848-304	30848-304			30848-337
	6	30848-318	30848-318	30848-318			30848-338
	7	30848-305	30848-305	30848-305			30848-339
	8	30848-319	30848-319	30848-319			30848-340
	9	20848-243	20848-243	20848-243	21101-855	21101-856	–
	10	30848-320	30848-320	30848-320			30848-342
	11	20848-244	20848-244	20848-244			–
	12	30848-321	30848-321	30848-321			30848-344
	14	20848-246	20848-246	20848-246			–
	16	20848-248	20848-248	20848-248			–
Fixing material see page		7.22	7.22	7.22			7.22
Dimensions see page		7.25	7.25	7.24			7.26

1) SPQ (standard pack quantity): Part number includes 1 piece, but delivery is exclusively made in standard pack quantity (SPQ); please order at least the SPQ quantity or a multiple

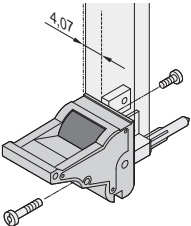
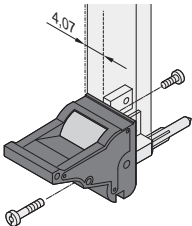
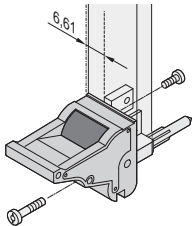
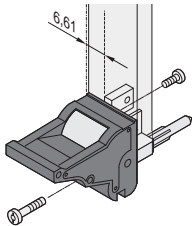
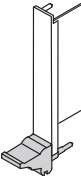
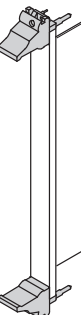
Part no. includes one packing unit (PU); delivery is exclusively made in PU

Plug-in units – for CompactPCI, VME64x

Individual components

Insertor/extractor handle, type IEL

Order Information

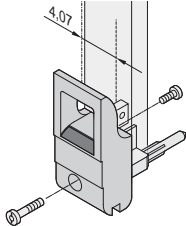
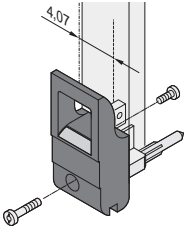
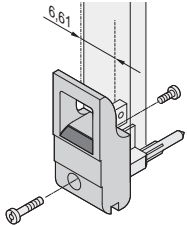
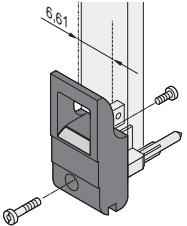
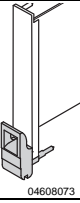
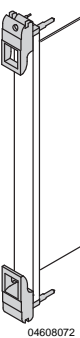
	Insertor/extractor handle, type IEL, board fixing without offset				Insertor/extractor handle, type IEL, board fixing with 0.1" offset				
	lever: light grey, RAL 7035 key: black, RAL 9005		lever: black, RAL 9005 key: light grey, RAL 7035		lever: light grey, RAL 7035 key: black, RAL 9005		lever: black, RAL 9005 key: light grey, RAL 7035		
	 04608050		 04608052		 04608051		 04608074		
	<p>in accordance with IEEE 1101.10 and IEC 60297-3-102, with locking, suitable for insertion and extraction forces up to 700 N (per pair), suitable for fitting of microswitches; block die-cast zinc, nickel-plated, with integrated alignment pin for perforated strip, codable to IEEE 1101.10 and IEC 60297-3-103, lever/key UL 94 V-0, slotted Pozidrive collar screw, M2.5 x 12.3, St, nickel-plated, panhead screw with Torx, M2.5 x 7, St, nickel-plated</p>				<p>in accordance with IEEE 1101.10 and IEC 60297-3-102, with locking, suitable for insertion and extraction forces up to 700 N (per pair), suitable for fitting of microswitches; 0.1" offset is used for PSUs with SMD Plus, block die-cast zinc, nickel plated; with integrated alignment pin for perforated strip, codable to IEEE 1101.10 and IEC 60297-3-103, lever/key UL 94 V-0, slotted Pozidrive collar screw, M2.5 x 12.3, St, nickel-plated, panhead screw with Torx, M2.5 x 7, St, nickel-plated</p>				
Assembly	PU 10 pieces	PU 100 pieces	PU 10 pieces	PU 100 pieces	PU 10 pieces	PU 100 pieces	PU 10 pieces	PU 100 pieces	
 04608071	3 U Height bottom								
	Front side	20817-620	20817-621	20817-612	20817-613	20817-690	20817-691	20817-682	20817-683
Rear I/O	20817-622	20817-623	20817-614	20817-615	–	–	–	–	
 04608070	6 U Height top								
	Front side	20817-622	20817-623	20817-614	20817-615	20817-692	20817-693	20817-684	20817-685
	Rear I/O	20817-620	20817-621	20817-612	20817-613	–	–	–	–
	bottom								
	Front side	20817-620	20817-621	20817-612	20817-613	20817-690	20817-691	20817-682	20817-683
Rear I/O	20817-622	20817-623	20817-614	20817-615	–	–	–	–	
Dimensions see page	7.27				7.27				

Plug-in units – for CompactPCI, VME64x

Individual components

Insertor/extractor handle, type IET

Order Information

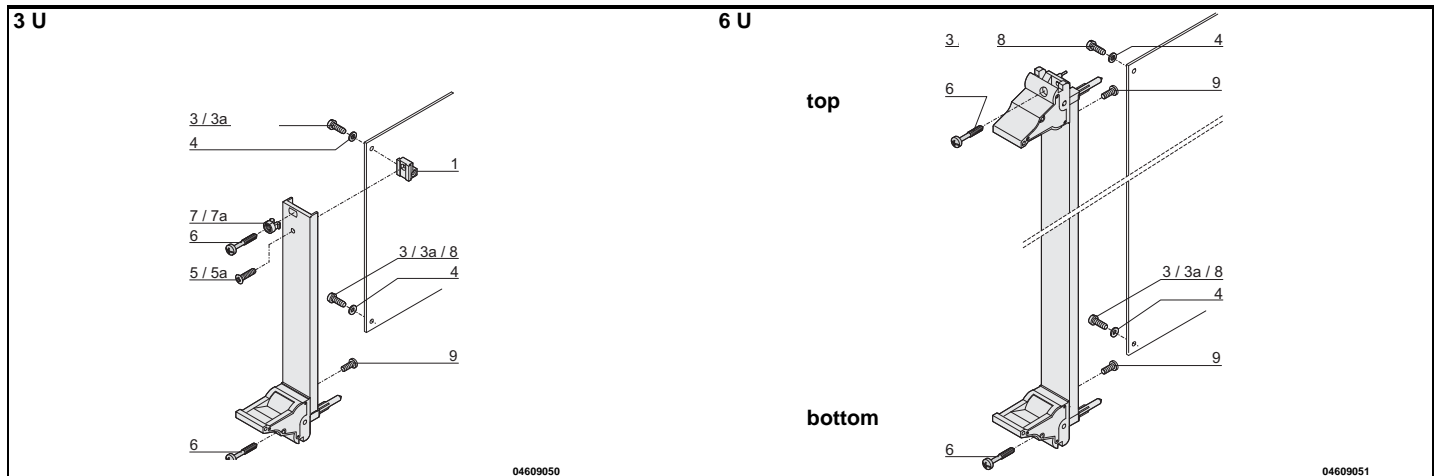
	Insertor/extractor handle, type IET, board fixing without offset				Insertor/extractor handle, type IET, board fixing with 0.1" offset			
	lever: light grey, RAL 7035 key: black, RAL 9005		lever: black, RAL 9005 key: light grey, RAL 7035		lever: light grey, RAL 7035 key: black, RAL 9005		lever: black, RAL 9005 key: light grey, RAL 7035	
								
	04608054		04608056		04608055		04608074	
	in accordance with IEEE 1101.10 and IEC 60297-3-102, with locking, suitable for insertion and extraction forces up to 700 N (per pair), suitable for fitting of microswitches; block die-cast zinc, nickel-plated, with integrated alignment pin for perforated strip, codable to IEEE 1101.10 and IEC 60297-3-103, lever/key UL 94 V-0, Slotted Pozidrive collar screw, M2.5 x 12.3, St, nickel-plated, panhead screw with Torx, M2.5 x 7, St, nickel-plated				in accordance with IEEE 1101.10 and IEC 60297-3-102, with locking, suitable for insertion and extraction forces up to 700 N (per pair), suitable for fitting of microswitches; 0.1" offset is used for PSUs with SMD Plus: block die-cast zinc, nickel plated; with integrated alignment pin for perforated strip, codable to IEEE 1101.10 and IEC 60297-3-103, lever/key UL 94 V-0, slotted Pozidrive collar screw, M2.5 x 12.3, St, nickel-plated, panhead screw with Torx, M2.5 x 7, St, nickel-plated			
Assembly	PU 10 pieces	PU 100 pieces	PU 10 pieces	PU 100 pieces	PU 10 pieces	PU 100 pieces	PU 10 pieces	PU 100 pieces
	3 U Height bottom							
Front side	20817-660	20817-661	20817-652	20817-653	20817-714	20817-715	20817-706	20817-707
Rear I/O	20817-662	20817-663	20817-654	20817-655	-	-	-	-
	6 U Height top							
Front side	20817-662	20817-663	20817-654	20817-655	20817-716	20817-717	20817-708	20817-709
Rear I/O	20817-660	20817-661	20817-652	20817-653	-	-	-	-
	bottom							
Front side	20817-660	20817-661	20817-652	20817-653	20817-714	20817-715	20817-706	20817-707
Rear I/O	20817-662	20817-663	20817-654	20817-655	-	-	-	-
Fixing material see page	7.22				7.22			
Dimensions see page	7.28				7.28			

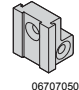

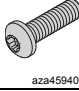


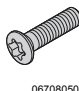
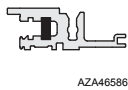
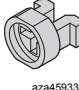
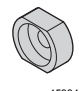

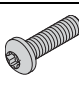
Plug-in units – for CompactPCI, VME64x

Individual components

inserter/extractor handles, type IEL/IET, fixing material

Order Information



Fixing material	Item	3 U	Required quantity		Qty/PU	Part no.		
			3 U < 8 HP	3 U ≥ 8 HP			6 U < 8 HP	6 U ≥ 8 HP
Printed board bracket Zn die-cast	1	 06707050	1	1	–	–	1 piece (SPG 10) ¹⁾	60807-181
Pozidrive panhead screw M2.5 × 6, St, nickel-plated, not for 0.1" offset	3	 AZA45177	2	2	2	2	100	21101-219
Slotted panhead screw with Torx 8 M2.5 × 6, St, zinc-plated, self-securing thread not for 0.1" offset	3a	 aza45940	2	2	2	2	100	24560-159
Washer 2.7, DIN 125, St, nickel-plated	4	 AZA46586	2	2	2	2	100	21100-721
Raised Pozidrive countersunk panhead screw M2.5 × 8, St, nickel-plated	5	 06702056	1	1	–	–	100	21100-429
Raised countersunk panhead screw with Torx 8 M2.5 × 8, St, nickel-plated	5a	 06708050	1	1	–	–	100	24560-164
Pozidrive/slotted collar screw M2.5 × 12.3, St, nickel-plated	6	 AZA46586	1	3	–	2	100	21101-101
Plastic sleeve, for form hole 5.9 x 3.3 PA, UL 90 V-2, grey	7	 aza45933	1	3	–	2	100	21100-464
Metal sleeve, for form hole 5.9 x 3.3, press-in Stainless steel	7a	 aza45934	1	3	–	2	100	21100-662
Pozidrive panhead screw for IEL/IET handle with 0.1" offset M2.5 × 10, nickel-plated steel	8	 AZA45177	2	2	2	2	100	21101-220
Torx panhead screw M2.5 × 7, St, nickel-plated, Torx 8,	9	 aza45940	1	1	2	2	100	24560-147

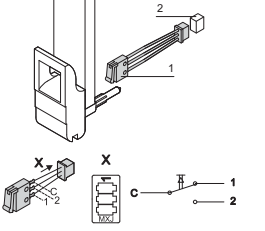
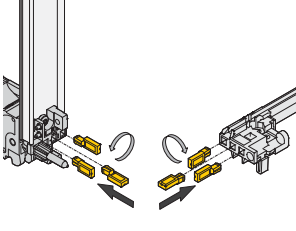
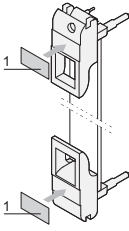
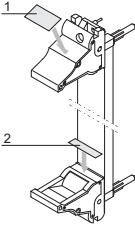
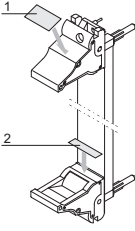
1) SPQ (standard pack quantity): Part number includes 1 piece, but delivery is exclusively made in standard pack quantity (SPQ); please order at least the SPQ quantity or a multiple

Plug-in units – for CompactPCI, VME64x

Individual components

Inserters/extractor handles, type IEL/IET, accessories

Order Information

Microswitch	Keying/coding	Label strips	Label strips	
<p>with cable and plug</p>  <p style="text-align: center; font-size: small;">bga46314 bga46315</p> <p>Molex connector housing 51021-0300, Molex crimp contact 50058-8000 and fixing clip (item 3), plastic, PC, UL 94 V-0, max. switched current 50 mA, operating range -25 °C to +70 °C, mech. life ≥ 20,000 switching cycles, electr. life ≥ 20,000 switching cycles; suitable mating connectors (item 2) e.g. Molex 53261-0319, 53048-0310, 53047-0310, 53398-0319, 51047-0300 not included in scope of delivery</p> <p style="text-align: center;">PU 10 pieces</p>	<p>in accordance with IEC 60297-3-103</p>  <p style="text-align: center; font-size: small;">04612052</p> <p>The keying/coding pegs prevent plug-in units to be mounted in wrong slots. They are inserted in the chambers of the codable card guides as well as in the insertion/extraction handles IEL or IET (4 possible positions), resulting in 64 codings per card guide; when coding the upper and lower card guide, 4096 codings will result; guide rails for coding see page 6.38</p> <p style="text-align: center;">PU 100 pieces</p>	<p>19 x 9.5 mm</p>  <p style="text-align: center; font-size: small;">04808074</p> <p>Polyester, self-adhesive, white, 1 sheet 210 pieces (Item 1)</p> <p style="text-align: center;">PU 210 pieces</p>	<p>19 x 9.5 mm</p>  <p style="text-align: center; font-size: small;">04808074</p> <p>Polyester, self-adhesive, white, 1 sheet 210 pieces (item 1)</p> <p style="text-align: center;">PU 210 pieces</p>	<p>19 x 4.8 mm</p>  <p style="text-align: center; font-size: small;">04808074</p> <p>Polyester, self-adhesive, white, 1 sheet 320 pieces (item 2)</p> <p style="text-align: center;">PU 320 pieces</p>
3 U Height				
bottom				
20817-606	20817-501	60817-340	60817-340	60817-341
6 U Height				
top				
20817-606	20817-501	60817-340	60817-340	60817-341
bottom				
20817-606	20817-501	60817-340	60817-340	60817-341

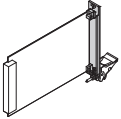
Plug-in units – for CompactPCI, VME64x

Dimensions

Front panels, U-profiles, inserter/extractor handles, type IEL/IET, rear I/O, shieldable

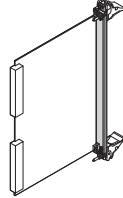
PCB fixing without offset

3 U

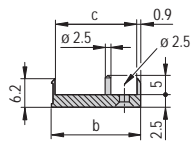
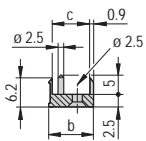
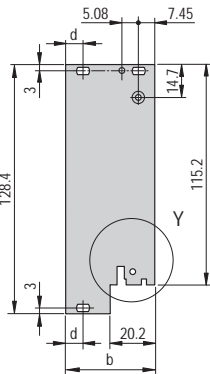
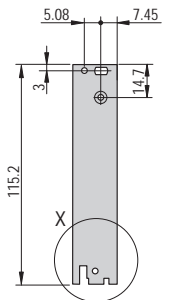
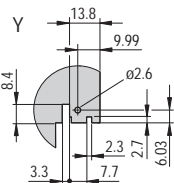
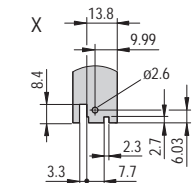


04608068

6 U



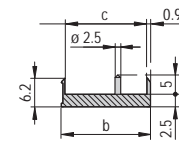
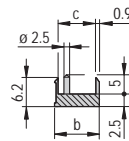
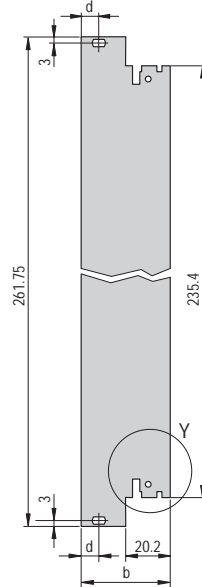
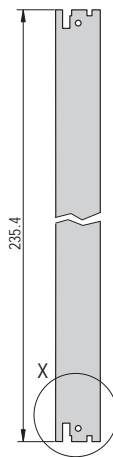
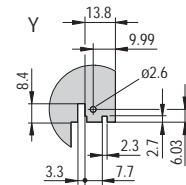
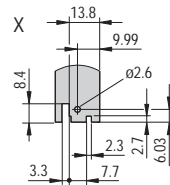
04608076



4 HP

≥5 HP

04608069



4 HP

≥5 HP

04608075

Dimensions table

Width	b	c	d
HP	mm	mm	mm
4	19.98	17.45	–
5	25.06	22.53	–
6	30.14	27.61	–
7	35.22	32.69	–
8	40.30	37.77	7.45
9	45.38	42.85	7.45
10	50.46	47.93	7.45
11	55.54	53.01	7.45
12	60.62	58.09	7.45
14	70.78	68.25	7.45
16	80.94	78.41	7.45

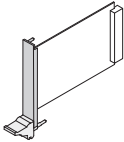
Plug-in units - for CompactPCI, VME64x

Dimensions

Front panels, U-profiles, inserter/extractor handles, type IEL, IET, shieldable

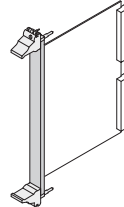
PCB fixing without offset / with 0.1" offset

3 U

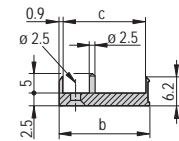
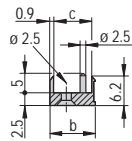
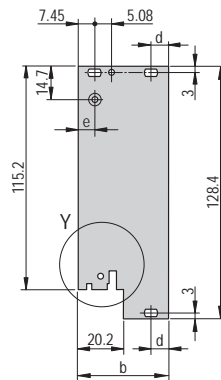
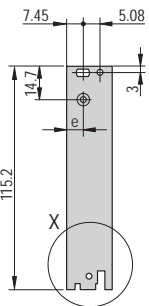
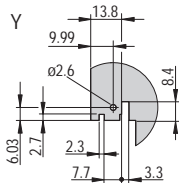
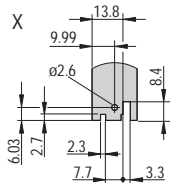


04608067

6 U



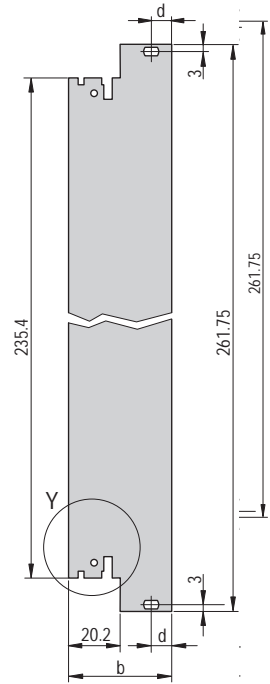
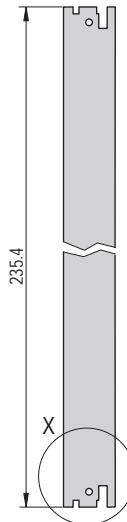
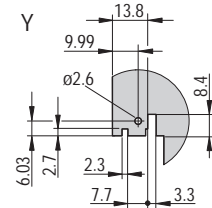
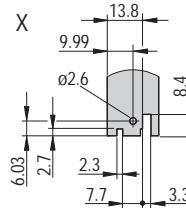
04608066



4 HP

≥5 HP

04608064



4 HP

≥5 HP

04608065

Dimensions table

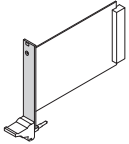
Width HP	b mm	c mm	d mm	without offset	with 0.1" offset
				e mm	e mm
4	19.98	17.45	-	7.45	9.99
5	25.06	22.53	-	7.45	9.99
6	30.14	27.61	-	7.45	9.99
7	35.22	32.69	-	7.45	9.99
8	40.30	37.77	7.45	7.45	9.99
9	45.38	42.85	7.45	7.45	9.99
10	50.46	47.93	7.45	7.45	9.99
11	55.54	53.01	7.45	7.45	9.99
12	60.62	58.09	7.45	7.45	9.99
14	70.78	68.25	7.45	7.45	9.99
16	80.94	78.41	7.45	7.45	9.99

Plug-in units – for CompactPCI, VME64x

Dimensions Front panels, inserter/extractor handles, type IEL/IET, unshielded

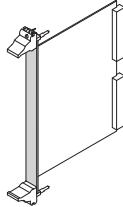
PCB fixing without offset

3 U

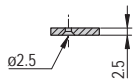
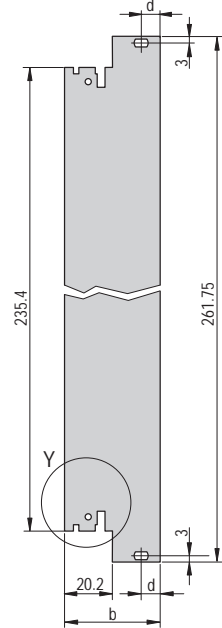
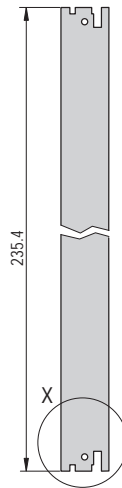
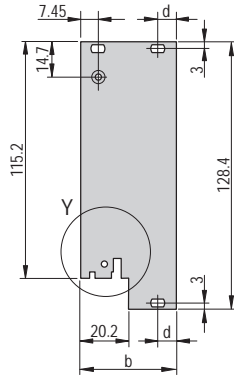
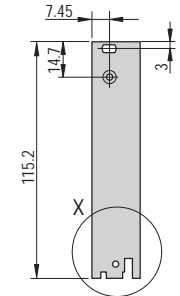
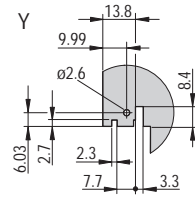
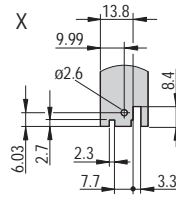
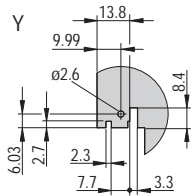
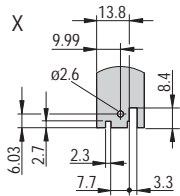


04608080

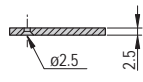
6 U



04608079



4 HP



≥5 HP

04608077



4 HP



≥5 HP

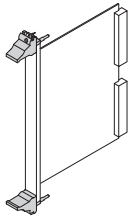
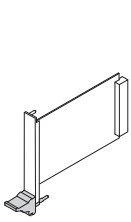
04608078

Dimensions table

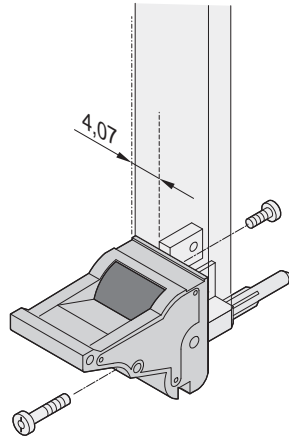
Width HP	b mm	d mm
4	19.98	–
5	25.06	–
6	30.14	–
7	35.22	–
8	40.30	7.45
9	45.38	7.45
10	50.46	7.45
11	55.54	7.45
12	60.62	7.45
14	70.78	7.45
16	80.94	7.45

Plug-in units - for CompactPCI, VME64x

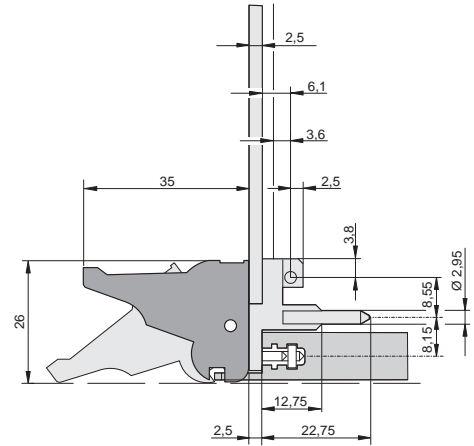
Dimensions Inserter/extractor handle, type IEL



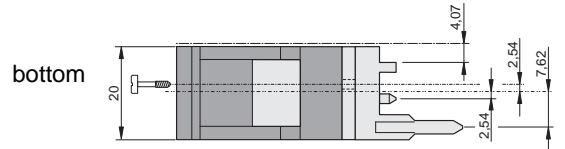
04608071 04608070



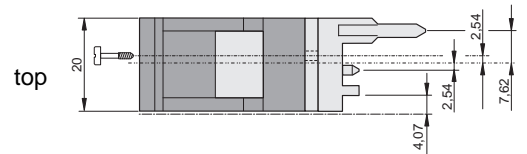
04608050



04603059

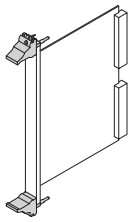
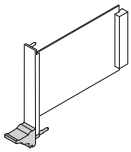


04607053

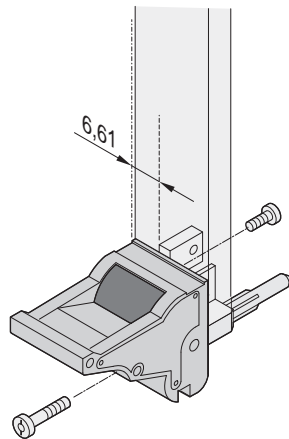


04607054

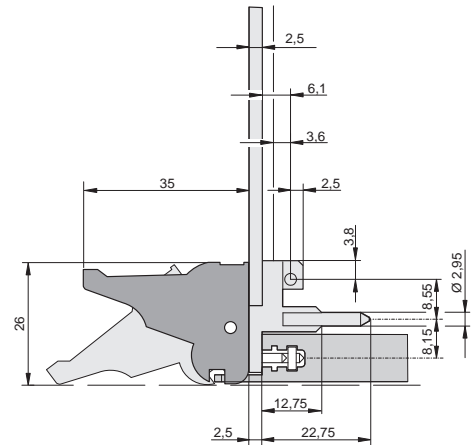
Dimensions Inserter/extractor handle, type IEL, 0.1" offset



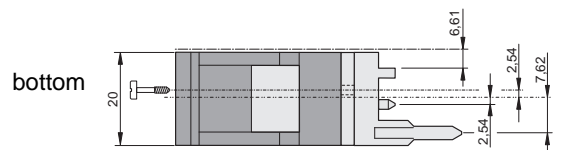
04608071 04608070



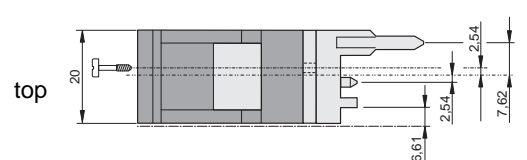
04608051



04603059



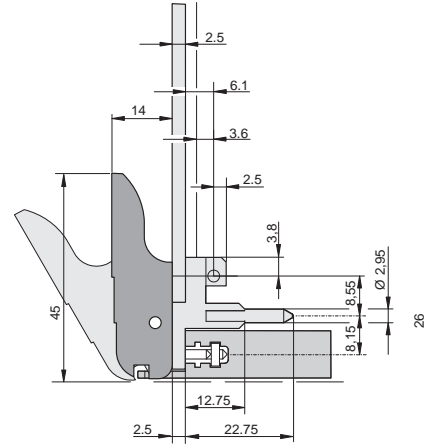
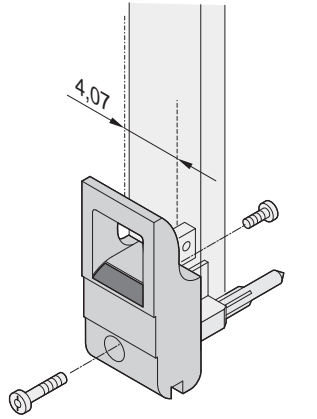
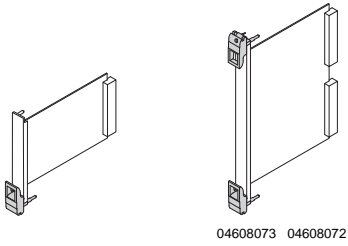
04603061



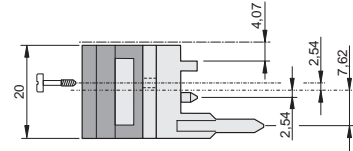
04607055

Plug-in units - for CompactPCI, VME64x

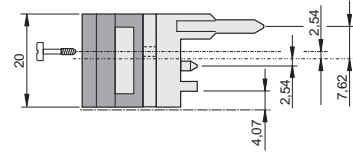
Dimensions Inserter/extractor handle, type IET



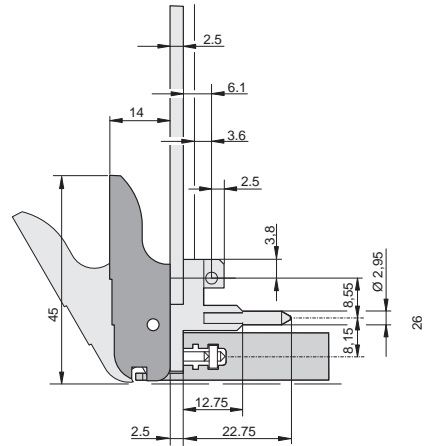
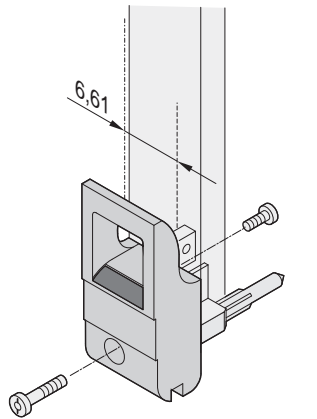
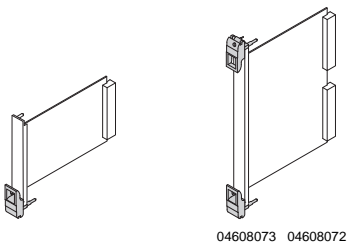
bottom



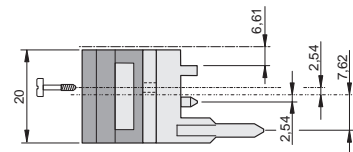
top



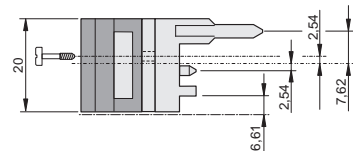
Dimensions Inserter/extractor handle, type IET, 0.1" offset



bottom




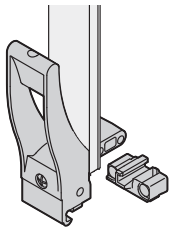
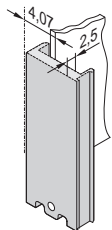
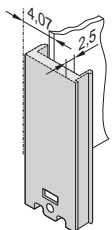
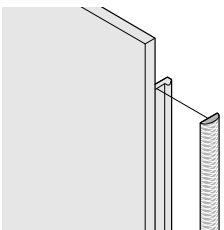
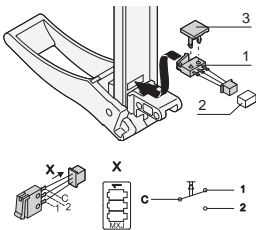
top



Plug-in units – for CompactPCI, VME64x, VXS, VPX

Individual components

Insertor/extractor handle, type XL, front panels, microswitch

	Insertor/extractor handle, type XL	U front profile, shieldable, for insertor/extractor handle, type XL		EMC gasket (textile)		Microswitch item 1 with cable and plug
		without cut-out for microswitch	with cut-out for microswitch			
 <p>04605008</p>	 <p>04608061</p>	 <p>04608082</p>	 <p>04608083</p>	 <p>BGA45760</p>	 <p>04608084 bga46315</p>	
	<p>kit, incl. die-cast bearing and assembly kit; insertion and extraction force up to 1500 Nm per pair;</p> <p>handle in PA, fibreglass reinforced, UL 94V 0;</p> <p>robust board fixing with double bolt fixing, microswitches can be fitted</p>	<p>Al, front anodised, sides and rear conductive, for sleeve and collar screw see page 7.35</p>	<p>Al, front anodised, sides and rear conductive for sleeve and collar screw see page 7.35</p>	<p>always fixed laterally on the front panel, in the groove of the profile, textile gasket, core: foam, sleeve: textile cladding with CuNi coating, UL 94 V-0</p>	<p>Molex connector housing 51021-0300, Molex crimp contact 50058-8000 and fixing clip (item 3), plastic, PC, UL 94 V-0, max. switched current 50 mA, operating range -25 °C to +70 °C, mech. life ≥ 20,000 switching cycles, electr. life ≥ 20,000 switching cycles; suitable mating connector (item 2) e.g. Molex 53261-0319, 53048-0310, 53047-0310, 53398-0319, 51047-0300, not included in scope of delivery</p>	
Width HP	PU 10 pieces	1 piece (SPQ 5)¹⁾	1 piece (SPQ 5)¹⁾	PU 10 pieces	PU 100 pieces	PU 10 pieces
6 U Height						
4		30849-153	30849-154			
8	20817-874	30849-155	30849-156	21101-855	21101-856	20817-877
12		30849-157	30849-158			
Dimensions see page	7.30	7.30	7.30			

1) SPQ (standard pack quantity): Part number includes 1 piece, but delivery is exclusively made in standard pack quantity (SPQ); please order at least the SPQ quantity or a multiple

Part no. includes one packing unit (PU); delivery is exclusively made in PU

Note

- Please order front panels separately

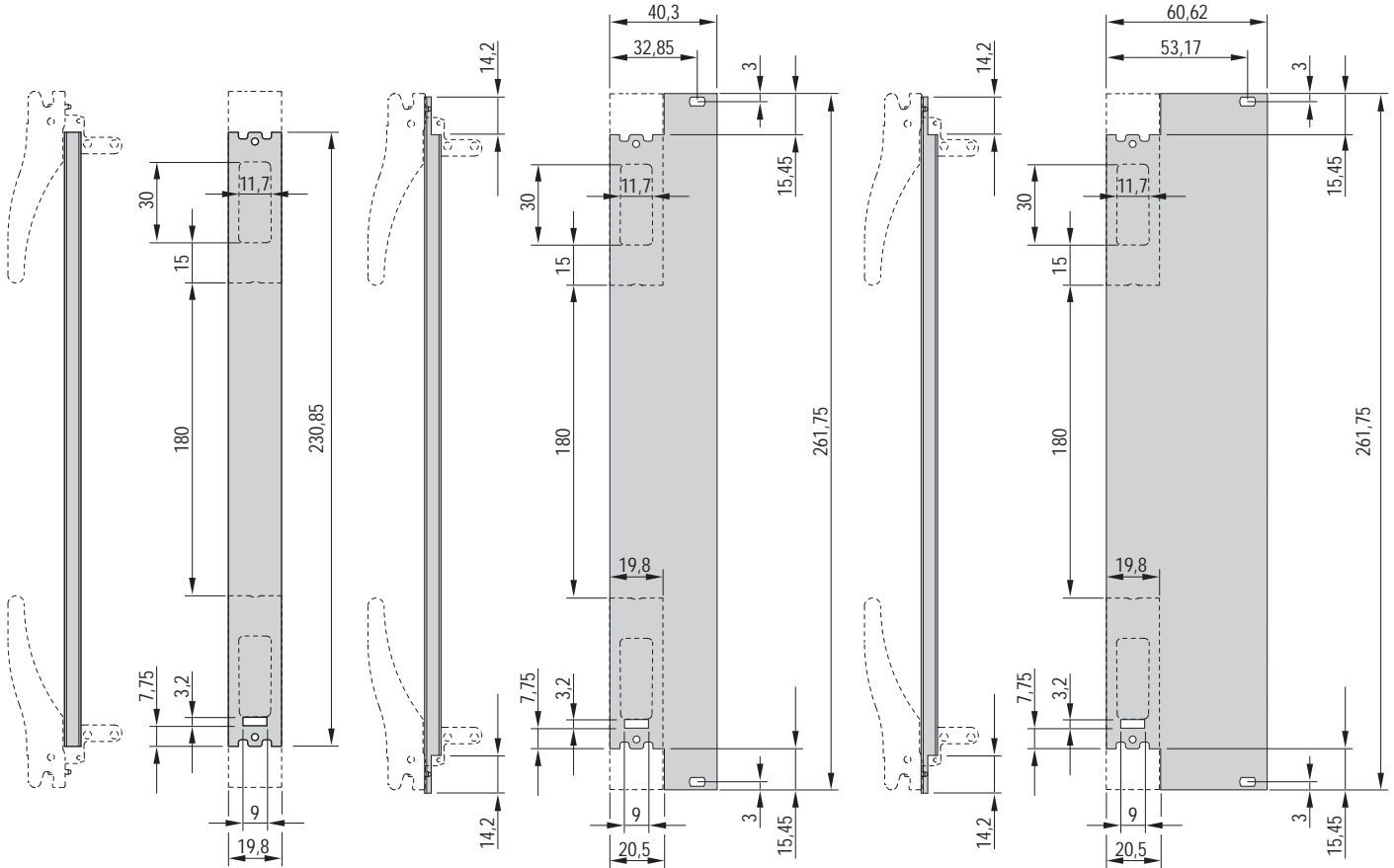
Plug-in units – for CompactPCI, VME64x, VXS, VPX

Dimensions U front profile for extractor handle type XL, shieldable

6 U/4 HP

6 U/8 HP

6 U/12 HP

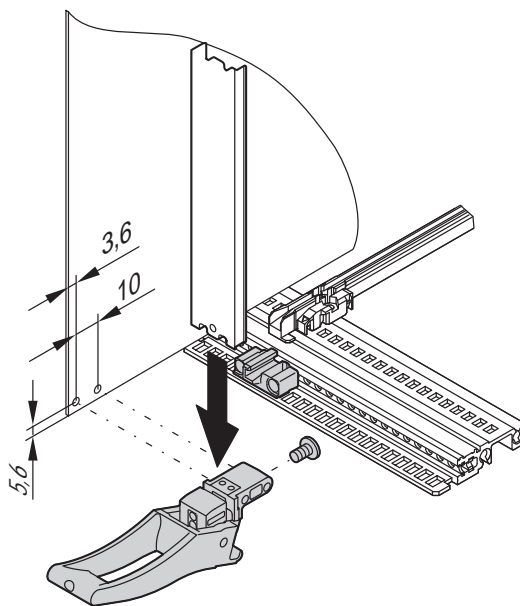


04605053

04605054

04605055

Dimensions Inserter/extractor handle, type XL



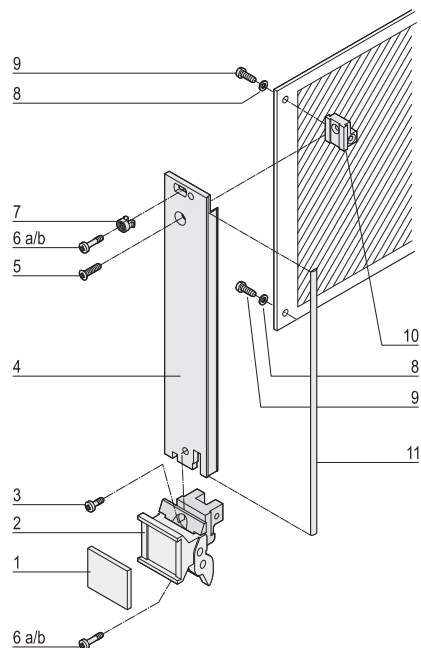
04608113

Plug-in units – for VME

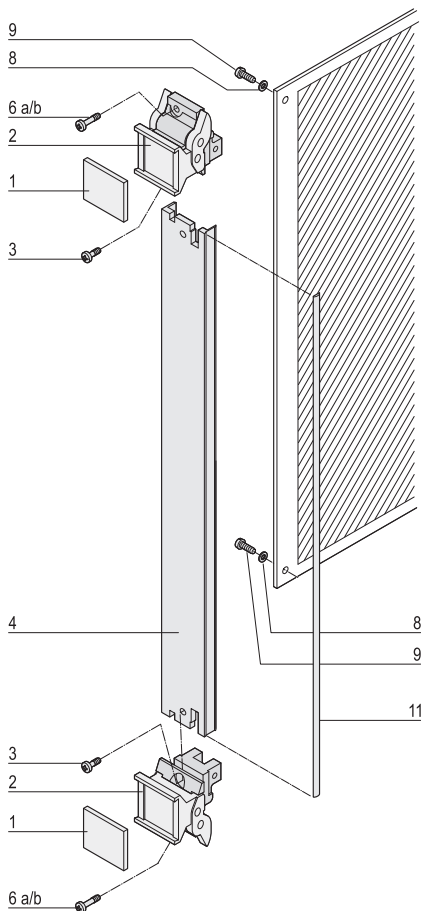
Kits

Plug-in units with trapeziform extractor handle, type 2

3 U



6 U



■ Shielded

Delivery comprises (kit)

Item	3 U		6 U		Description
	<8HP	≥8HP	<8HP	≥8HP	
1	1	1	2	2	Identification plate, Al, 1.5 mm, anodised, cut edges untreated
2	1	1	2	2	Extractor handle, trapeziform, type 2, lever: PPE, light grey, RAL 7035, block die-cast zinc, nickel-plated, with integrated alignment pin for perforated strip
3	1	1	2	2	Pozidrive flathead screw, St, M2.5 x 6, nickel-plated
4	1	1	1	1	Front panel, U profile, Al, front anodised, rear conductive
5	1	1	–	–	Raised Pozidrive countersunk screw M2.5 x 8, St, nickel-plated
6a	2	4	2	4	Pozidrive collar screw, M2.5 x 12.3, St, nickel-plated, collar screw, Pozidrive/slot, M2.5 x 11, St, nickel-plated,
6b	2	4	2	4	
7	1	3	–	2	Sleeve, PA, grey
8	2	2	2	2	Washer A 2.7, DIN 125
9	2	2	2	2	Panhead screw with Torx/slot, M2.5 x 6, St, zinc-plated, self-locking
10	1	1	–	–	Board support, die-cast zinc
11	1	1	1	1	EMC sealing (textile), core: foam, sleeve: textile cladding, Cu-Ni coated

Order Information

Height	Width	Part no.
U	HP	
3	4	20848-686
3	6	20848-687
3	8	20848-688
3	10	20848-689
3	12	20848-690
6	4	20848-691
6	6	20848-692
6	8	20848-693
6	10	20848-694
6	12	20848-695

■ Dimension drawings of front profile see page 7.36

■ Description of microswitch see page 7.29



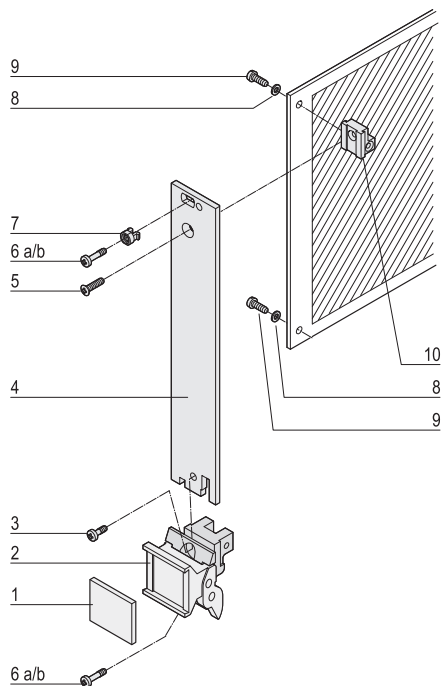
For further information www.schroff.biz/oneclick
oneClick search code = Part no.

Plug-in units – for VME

Kits

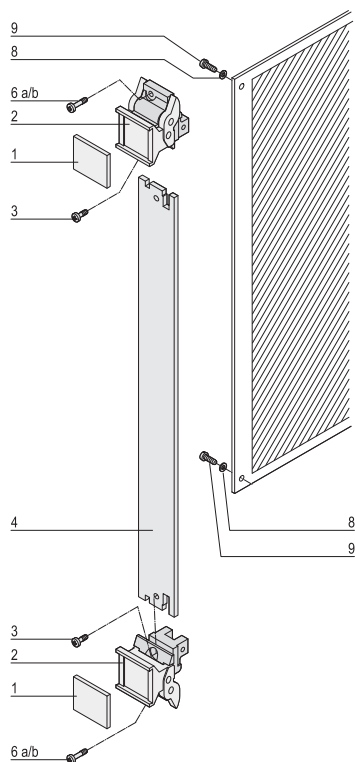
Plug-in units with trapeziform extractor handle, type 2

3 U



04604052

6 U



04604053

■ Unshielded

Delivery comprises (kit)

Item	Qty				Description
	3 U		6 U		
	<8HP	≥8HP	<8HP	8 HP	
1	1	1	2	2	Identification plate, Al, 1.5 mm, anodised, cut edges plain
2	1	1	2	2	Extractor handle, trapeziform, type 2, lever: PPE, light grey, RAL 7035, block: die-cast zinc, nickel-plated
3	1	1	2	2	Flathead screw M2.5 x 6, nickel-plated
4	1	1	1	1	Front panel, Al, 2.5 mm, front: anodised, rear: iridescent green chromated
5	1	1	–	–	Raised Pozidrive countersunk screw, M2.5 x 8, St, nickel-plated
6a	2	4	2	4	Slotted Pozidrive collar screw, M2.5 x 12.3, St, nickel-plated,
6b	2	4	2	4	slotted Pozidrive collar screw, M2.5 x 11, St, nickel-plated
7	1	3	–	2	Sleeve, PA, grey
8	2	2	2	2	Washer A 2.7, DIN 125
9	2	2	2	2	Slotted Torx panhead screw, M2.5 x 6, St, zinc-plated, self-locking
10	1	1	–	–	Board support, die-cast zinc

Order Information

Height U	Width HP	Part no.
3	4	20817-860
3	5	20817-861
3	6	20817-862
3	7	20817-863
3	8	20817-864
3	10	20817-865
3	12	20817-866
6	4	20817-867
6	5	20817-868
6	6	20817-869
6	7	20817-870
6	8	20817-871
6	10	20817-872
6	12	20817-873

■ Dimension drawing of front profile see page 7.36

■ Description of microswitch see page 7.29



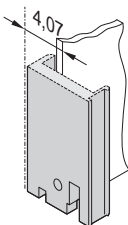
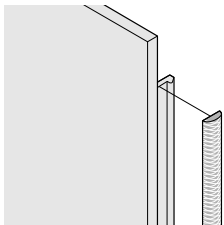
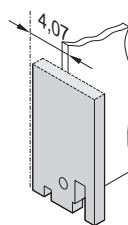
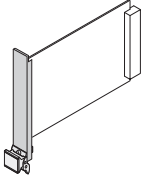
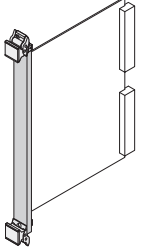
For further information www.schroff.biz/oneclick
oneClick search code = Part no.

Plug-in units - for VME

Individual components

U front profiles/front panels for trapeziform extractor handle, type 2

Order Information

	Front panel, U profile, shieldable  <small>04608060</small>	Textile EMC gasket  <small>BGA45760</small>		Front panel, flat, unshielded  <small>04608063</small>																					
Width HP	1 piece (SPQ 5)¹⁾	PU 10 pieces	PU 100 pieces	1 piece (SPQ 5)¹⁾																					
3 U Height																									
 <small>04608109</small>	<table border="1" style="width: 100%; border-collapse: collapse;"> <tr><td style="width: 20px;">4</td><td>30848-312</td></tr> <tr><td>5</td><td>30848-300</td></tr> <tr><td>6</td><td>30848-313</td></tr> <tr><td>7</td><td>30848-301</td></tr> <tr><td>8</td><td>30848-314</td></tr> <tr><td>10</td><td>30848-315</td></tr> <tr><td>12</td><td>30848-316</td></tr> </table>	4	30848-312	5	30848-300	6	30848-313	7	30848-301	8	30848-314	10	30848-315	12	30848-316	21101-853	21101-854	<table border="1" style="width: 100%; border-collapse: collapse;"> <tr><td style="width: 20px;">30848-327</td></tr> <tr><td>30848-328</td></tr> <tr><td>30848-329</td></tr> <tr><td>30848-330</td></tr> <tr><td>30848-331</td></tr> <tr><td>30848-333</td></tr> <tr><td>30848-335</td></tr> </table>	30848-327	30848-328	30848-329	30848-330	30848-331	30848-333	30848-335
4	30848-312																								
5	30848-300																								
6	30848-313																								
7	30848-301																								
8	30848-314																								
10	30848-315																								
12	30848-316																								
30848-327																									
30848-328																									
30848-329																									
30848-330																									
30848-331																									
30848-333																									
30848-335																									
6 U Height																									
 <small>04608107</small>	<table border="1" style="width: 100%; border-collapse: collapse;"> <tr><td style="width: 20px;">4</td><td>30848-317</td></tr> <tr><td>5</td><td>30848-304</td></tr> <tr><td>6</td><td>30848-318</td></tr> <tr><td>7</td><td>30848-305</td></tr> <tr><td>8</td><td>30848-319</td></tr> <tr><td>10</td><td>30848-320</td></tr> <tr><td>12</td><td>30848-321</td></tr> </table>	4	30848-317	5	30848-304	6	30848-318	7	30848-305	8	30848-319	10	30848-320	12	30848-321	21101-855	21101-856	<table border="1" style="width: 100%; border-collapse: collapse;"> <tr><td style="width: 20px;">30848-336</td></tr> <tr><td>30848-337</td></tr> <tr><td>30848-338</td></tr> <tr><td>30848-339</td></tr> <tr><td>30848-340</td></tr> <tr><td>30848-342</td></tr> <tr><td>30848-344</td></tr> </table>	30848-336	30848-337	30848-338	30848-339	30848-340	30848-342	30848-344
4	30848-317																								
5	30848-304																								
6	30848-318																								
7	30848-305																								
8	30848-319																								
10	30848-320																								
12	30848-321																								
30848-336																									
30848-337																									
30848-338																									
30848-339																									
30848-340																									
30848-342																									
30848-344																									
Dimensions see page	7.36			7.36																					

1) SPQ (standard pack quantity): Part number includes 1 piece, but delivery is exclusively made in standard pack quantity (SPQ); please order at least the SPQ quantity or a multiple

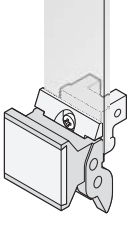
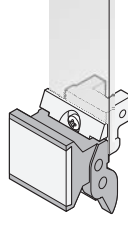
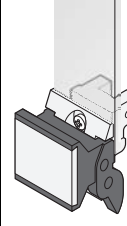
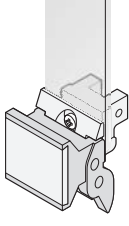
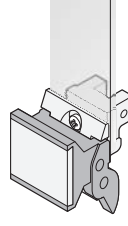
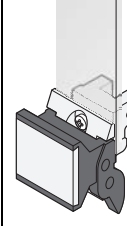
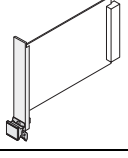
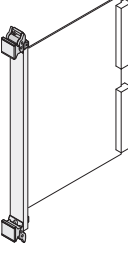
Part no. includes one packing unit (PU); delivery is exclusively made in PU

Plug-in units – for VME

Individual components

Extractor handle, trapeziform, type 2

Order Information

	Trapeziform extractor handle, type 2 without alignment pin			Trapeziform extractor handle, type 2 with alignment pin		
	lever, light grey, RAL 7035	lever, dark grey, RAL 7032	lever, black, RAL 9005	lever, light grey, RAL 7035	lever, dark grey, RAL 7032	lever, black, RAL 9005
						
	04608085	BGA45760	04608087	BGA45760	04608086	04608087
	Extractor handle, PPE; block, die-cast zinc, zinc-plated; identification plate, Al, 1.5 mm, anodised, cut edges plain; Pozidrive flat-head screw, M2.5 x 6, nickel-plated; slotted Pozidrive collar screw, M2.5 x 12.3, St, nickel-plated; slotted Pozidrive collar screw, M2.5 x 11, St, nickel-plated,			Extractor handle, PPE; block, die-cast zinc, zinc-plated; Identification plate, Al, 1.5 mm, anodised, cut edges plain; Pozidrive flat-head screw, M2.5 x 6, nickel-plated; slotted Pozidrive collar screw, M2.5 x 12.3, St, nickel-plated; slotted Pozidrive collar screw, M2.5 x 11, St, nickel-plated,		
Width HP	1 piece (SPQ 10) ¹⁾	1 piece (SPQ 10) ¹⁾	1 piece (SPQ 10) ¹⁾	1 piece (SPQ 10) ¹⁾	1 piece (SPQ 10) ¹⁾	1 piece (SPQ 10) ¹⁾
	3 U Height bottom					
	20817-858	20817-854	20817-856	20817-833	20817-829	20817-831
	6 U Height top					
	20817-858	20817-854	20817-856	20817-833	20817-829	20817-831
	bottom					
	20817-858	20817-854	20817-856	20817-833	20817-829	20817-831
Dimensions see page	7.37			7.37		

1) SPQ (standard pack quantity): Part number includes 1 piece, but delivery is exclusively made in standard pack quantity (SPQ); please order at least the SPQ quantity or a multiple

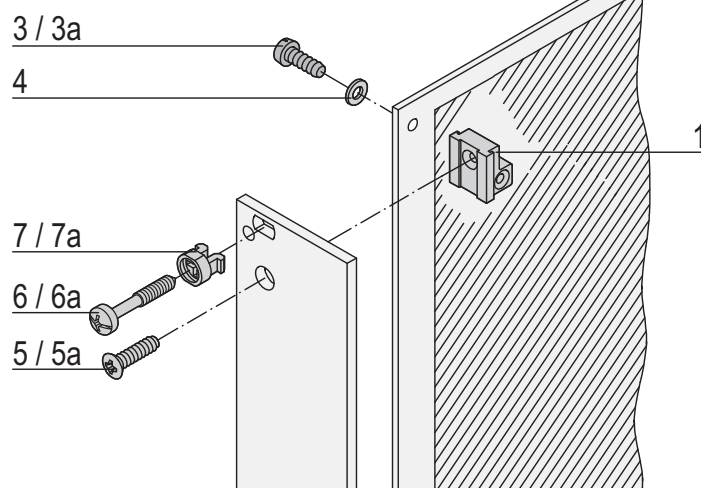
Part no. includes one packing unit (PU); delivery is exclusively made in PU

Plug-in units - for VME

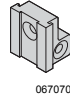

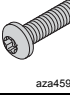


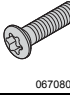
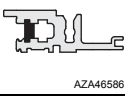
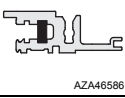

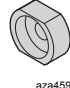
Individual components

Fixing material for trapeziform extractor handle, type 2

Order Information



bga46045

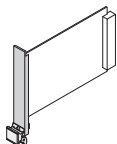
Fixing material	Item	Image	Required quantity				Qty/PU	Part no.
			3 U		6 U			
			< 8 HP	≥ 8 HP	< 8 HP	≥ 8 HP		
Printed board bracket Zn die-cast	1		1	1	–	–	1 Stück (LLG 10) ¹⁾	60807-181
Pozidrive panhead screw M2.5 × 6, St, nickel-plated	3		2	2	2	2	100	21101-219
Slotted panhead screw with Torx 8 M2.5 × 6, St, zinc-plated Self-securing thread	3a		2	2	2	2	100	24560-159
Washer 2.7, St, nickel-plated	4		2	2	2	2	100	21100-721
Raised Pozidrive countersunk panhead screw M2.5 × 8, St, nickel-plated	5		1	1	–	–	100	21100-429
Raised countersunk panhead screw with Torx 8 M2.5 × 8, St, nickel-plated	5a		1	1	–	–	100	24560-164
Slotted Pozidrive collar screw M2.5 × 11, St, nickel-plated	6		1	3	–	2	100	21100-748
Slotted Pozidrive collar screw M2.5 × 12.3, St, nickel-plated	6a		1	3	–	2	100	21101-101
Plastic sleeve, for form hole 5.9 x 3.3 PA, UL 90 V-2, grey	7		1	3	–	2	100	21100-464
Metal sleeve, for form hole 5.9 x 3.3, press-in Stainless steel	7a		1	3	–	2	100	21100-662

1) SPQ (standard pack quantity): Part number includes 1 piece, but delivery is exclusively made in standard pack quantity (SPQ); please order at least the SPQ quantity or a multiple

Plug-in units - for VME

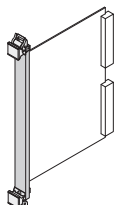
Dimensions Front panels, U profiles, for trapeziform extractor handles, type 2

3 U

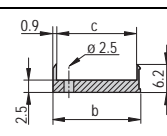
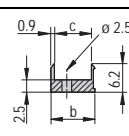
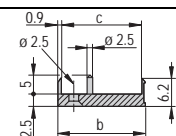
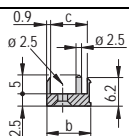
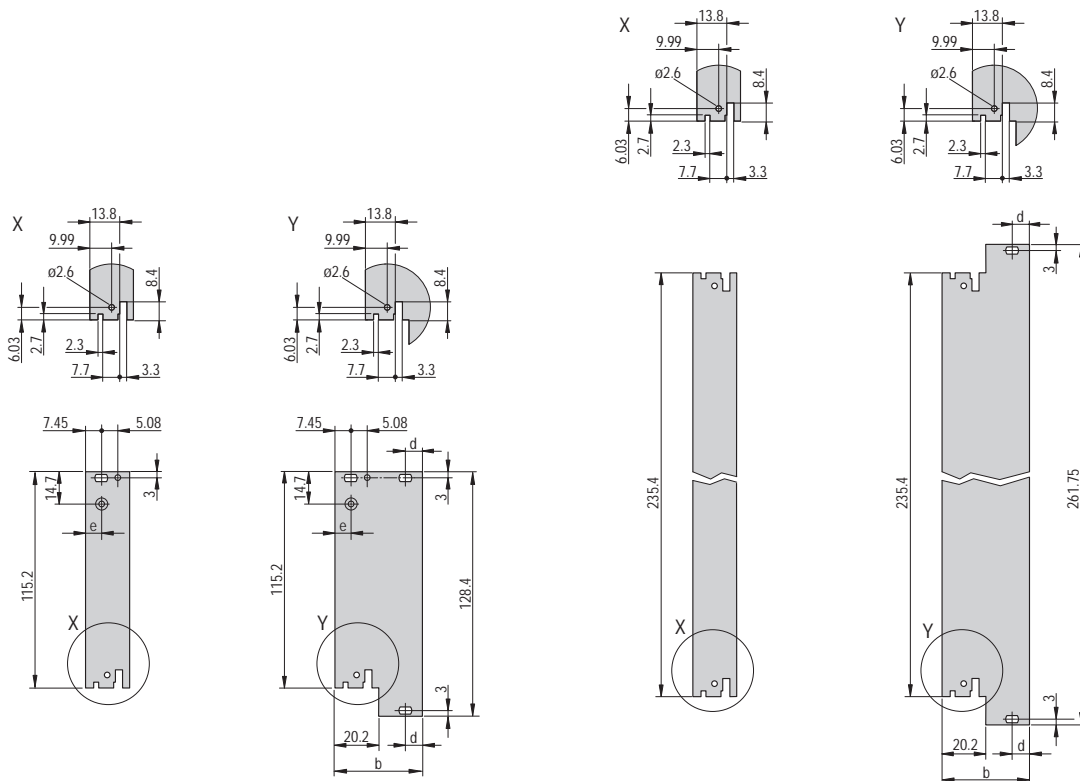


04608109

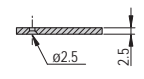
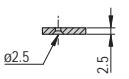
6 U



04608107



shieldable



unshielded

4 HP

≥5 HP

04608064 04608077

4 HP

≥5 HP

04608065 04608078

Dimensions table

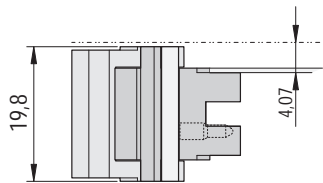
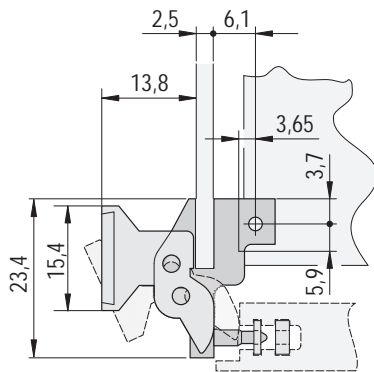
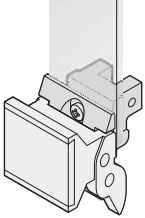
Width HP	b mm	c mm	d mm
4	19.98	17.45	—
5	25.06	22.53	—
6	30.14	27.61	—
7	35.22	32.69	—
8	40.30	37.77	7.45
9	45.38	42.85	7.45
10	50.46	47.93	7.45
11	55.54	53.01	7.45
12	60.62	58.09	7.45
14	70.78	68.25	7.45
16	80.94	78.41	7.45

Plug-in units - for VME

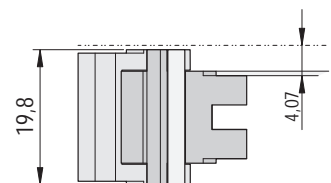
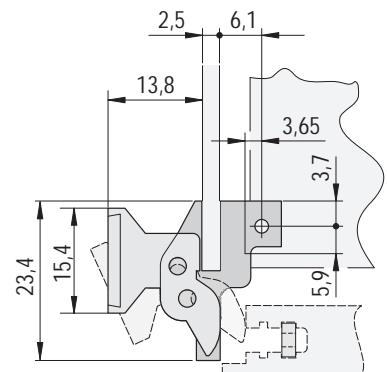
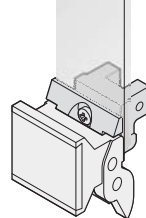
Dimension drawings

Extractor handle, trapeziform, type 2

with alignment pin



without alignment pin

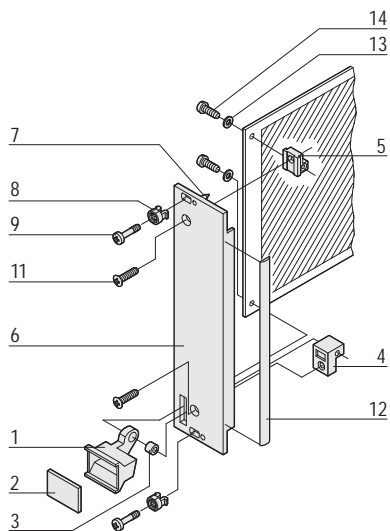


Plug-in units – for VME

Kits

Plug-in units with trapeziform extractor handle, type 1 – front panel, U-profile, shielded

3 U



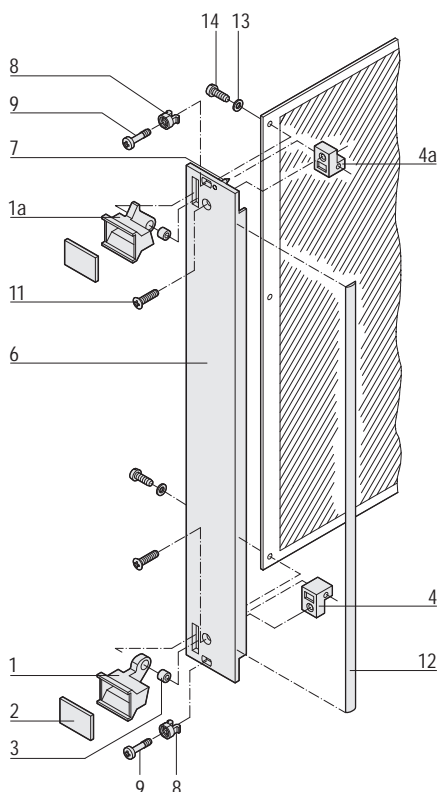
- At 6 U the board position can be offset by 1 HP to the right by swapping the top and bottom board supports; thus space is created for SMD components on the left (solder) side; for board thickness 1.6 mm only

Delivery comprises (kit)

Item	Qty		Description
	3 U	6 U	
1	1	1	Extractor handle, trapeziform type, PPE, grey, bottom
1a	-	1	Extractor handle, trapeziform type, PPE, grey, top
2	1	2	Identification plate, Al, 1.5 mm, anodised, cut edges plain
3	1	2	Pivot bush, Ms
4	1	1	Board support, die-cast zinc, bottom
4a	-	1	Board support, die-cast zinc, top
5	1	-	Board support, die-cast zinc
6	1	1	Front panel, U profile, for trapeziform extractor handle, front anodised, rear conductive
7	2	2	Alignment pin, pressed-in, stainless steel
8	2	2	Sleeve, PA, grey, up to 7 HP front panel width
8	4	4	Sleeve, PA, grey, from 8 HP front panel width
9	2	2	Collar screw, Pozidrive/slot, St, nickel-plated, M2.5 × 12.3, front panel width up to 7 HP
9	4	4	Collar screw, Pozidrive/slot, St, nickel-plated, M2.5 × 12.3, front panel width from 8 HP
11	1	2	Raised countersunk panhead screw, M2.5 × 8
12	1	1	EMC gasket (textile)
13	2	2	Washer, A2.7, DIN 125
14	2	2	Pozidrive flathead screw, St, nickel-plated, M2.5 × 10

04602058

6 U



04602059

Order Information

Width HP	Part no.	
	3 U	6 U
4	20848-485	20848-492
6	20848-487	20848-494
8	20848-489	20848-496
10	20848-490	20848-497
12	20848-491	20848-498



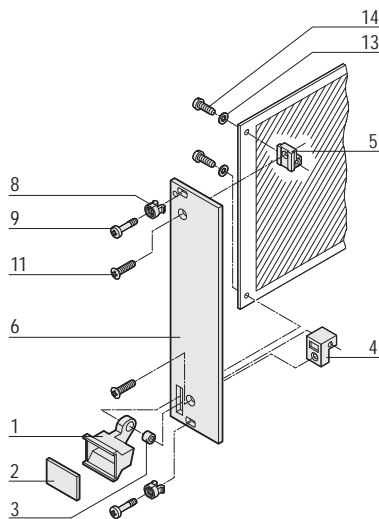
For further information www.schroff.biz/oneclick
oneClick search code = Part no.

Plug-in units – for VME

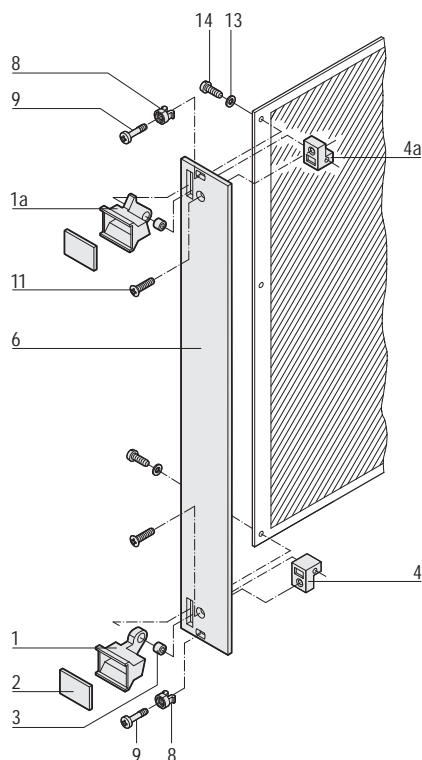
Kits

Plug-in units with trapeziform extractor handle, type 1 – front panel unshielded

3 U



6 U



- At 6 U the board position can be offset by 1 HP to the right by swapping the top and bottom board supports; thus space is created for SMD components on the left (solder) side; for board thickness 1.6 mm only

Delivery comprises (kit)

Item	Qty		Description
	3 U	6 U	
1	1	1	Extractor handle, trapezium shape, PPE, grey, bottom
1a	–	1	Extractor handle, trapezium shape, PPE, grey, top
2	1	2	Identification plate, Al, 1.5 mm, anodised, cut edges plain
3	1	2	Pivot bush, Ms
4	1	1	Board support, die-cast zinc, bottom
4a	–	1	Board support, die-cast zinc, top
5	1	–	Board support, die-cast zinc
6	1	1	Front panel for trapeziform extractor handle, front anodised, rear iridescent green chromated
8	2	2	Sleeve, PA, grey, up to 7 HP front panel width
8	4	4	Sleeve, PA, grey, from 8 HP front panel width
9	2	2	Collar screw, Pozidrive/slot, St, nickel-plated, M2.5 x 11 and 12.3, front panel width up to 7 HP
9	4	4	Collar screw, Pozidrive/slot, St, nickel-plated, M2.5 x 11 and 12.3, front panel width from 8 HP
11	1	2	Raised countersunk panhead screw, M2.5 x 8
13	2	2	Washer, A2.7, DIN 125
14	2	2	Pozidrive flathead screw, St, nickel-plated, M2.5 x 10

Order Information

Width HP	3 U		6 U	
	Part no.	Part no.	Part no.	Part no.
4	20817-443	20817-448		
5	20817-444	20817-449		
6	20817-445	20817-450		
7	20817-446	20817-451		
8	20817-447	20817-452		
10	20817-456	20817-458		
12	20817-457	20817-459		



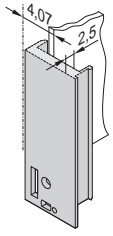
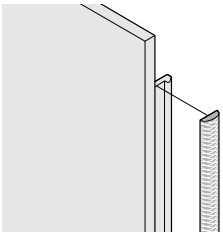
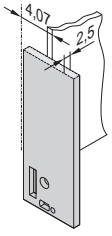
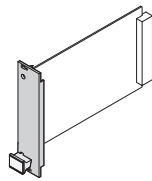
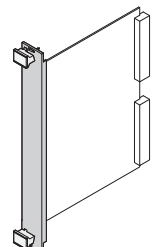
For further information www.schroff.biz/oneclick
oneClick search code = Part no.

Plug-in units – for VME

Individual components

Front panels and EMC gaskets, for trapezoidal extractor handle, type 1

Order Information

	Front panel, U profile, shieldable	Textile EMC gasket		Front panel, unshielded	
	 <p>04608091</p> <p>Al profile, front anodised, rear conductive, alignment pin pressed-in, stainless steel</p>	 <p>BGA45760</p> <p>always fixed laterally on the front panel, in the groove of the profile, textile gasket, core: foam, sleeve: textile cladding with CuNi coating, UL 94 V-0, temperature range -40 ... 70 °C</p>		 <p>04608092</p> <p>front panel, Al, 2.5 mm, front anodised, rear iridescent green chromated</p>	
Width HP	1 piece (SPQ 5)¹⁾	PU 10 pieces	PU 100 pieces	1 piece (SPQ 5)¹⁾	
3 U Height					
 <p>04608117</p>	4	30848-461	21101-853	21101-854	30847-659
	5	–			30847-660
	6	30848-463			30847-661
	7	–			30847-662
	8	30848-465			30847-663
	10	30848-466			30847-664
	12	30848-467			30847-665
6 U Height					
 <p>04608116</p>	4	30848-468	21101-855	21101-856	30847-666
	5	–			30847-667
	6	30848-470			30847-668
	7	–			30847-669
	8	30848-472			30847-670
	10	30848-473			30847-671
	12	30848-474			30847-672
Dimensions see page	7.43			7.43	


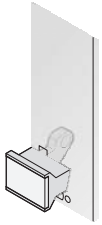
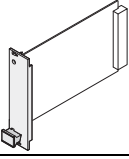
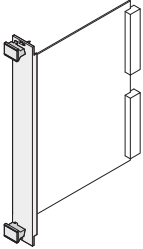
1) SPQ (standard pack quantity): Part number includes 1 piece, but delivery is exclusively made in standard pack quantity (SPQ); please order at least the SPQ quantity or a multiple
Part no. includes one packing unit (PU); delivery is exclusively made in PU

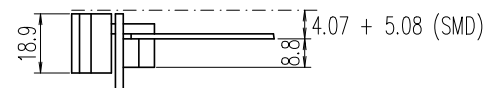
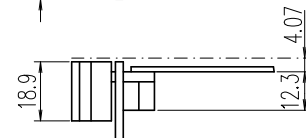
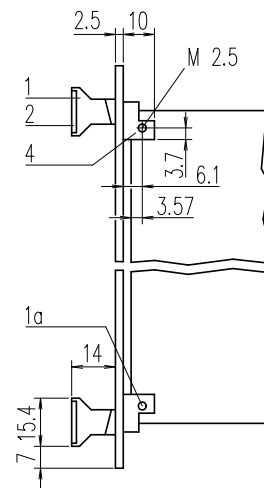
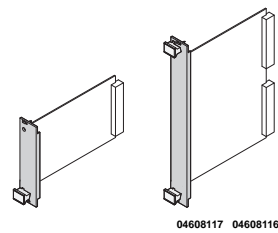
Plug-in units - for VME

Individual components

Trapeziform extractor handles, type 1

Order Information

		Trapeziform extractor handle	
		black	grey
			
		04608093	04608094
		handle closed laterally, PPE, UL 94 V-1, black; pivot bush; identification plate, Al, 1.5 mm, anodised, cut edges plain; board support die-cast zinc; in the 6 U version, space can be created for SMD components on the left side by swapping the top and bottom handles and thus moving the PCB position 1 HP to the right	
Width HP		1 piece (SPQ 10)¹⁾	1 piece (SPQ 10)¹⁾
		3 U Height top	
04608119		20817-329	20817-327
		6 U Height top	
04608118		20817-330	20817-328
		bottom	
		20817-329	20817-327



bga42556

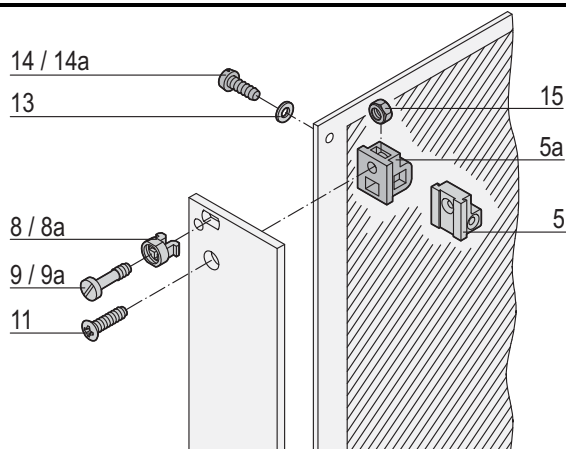
1) SPQ (standard pack quantity): Part number includes 1 piece, but delivery is exclusively made in standard pack quantity (SPQ); please order at least the SPQ quantity or a multiple

Plug-in units - for VME

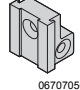

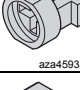



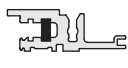











Individual components

Fixing material for trapeziform extractor handle, type 1

Order Information



bga42545

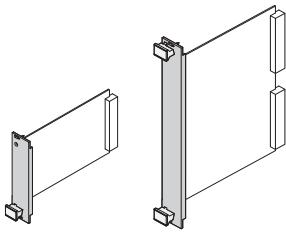
Fixing material	Item	Image	Required Qty				Qty/PU	Part no.	
			3 U		6 U				
			< 8 HP	≥ 8 HP	< 8 HP	≥ 8 HP			
Board support, die-cast zinc, with thread M2.5, for front panel and PCB fixing	5	 06707050	1	2	2	4	1 piece (SPQ 10) ¹⁾	60807-181	
Board support, plastic, PBT, UL 94 V-0, grey, with recess for hexagon nut M2.5, for fixing front panel	5a	 AZA45177	1	2	2	4	1 piece (SPQ 10) ¹⁾	60807-183	
Plastic sleeve, for form hole 5.9 x 3.3 PA, UL 90 V-2, grey	8	 aza45933	2	4	2	4	100	21100-464	
Metal sleeve, for form hole 5.9 x 3.3, press-in Stainless steel	8a	 aza45934	2	4	-	-	100	21100-662	
Pozidrive/slotted collar screw M2.5 x 11, St, nickel-plated	9	 AZA46586	 AZA46586	2	4	2	4	100	21100-748
Pozidrive/slotted collar screw M2.5 x 12.3, St, nickel-plated	9a	 AZA46586	 AZA46586	2	4	2	4	100	21101-101
Raised Pozidrive countersunk screw M2.5 x 8, St, nickel-plated	11	 06702056	 06702056	2	2	2	2	100	21100-429
Washer 2.7 DIN 125, St, nickel-plated, 100 pieces	13	 AZA46586	 AZA46586	2	2	2	2	100	21100-721
Pozidrive panhead screw M2.5 x 10, St, nickel-plated for item 5	14	 AZA45177	 AZA45177	2	2	2	2	100	21101-220
Panhead screw, self-tapping 2.5 x 8, St, zinc-plated for item 5b	14a	 06702057	 06702057	1	1	-	-	100	21100-710
Hexagon nut M2.5, nickel-plated steel for item 5b	15	 aza43239	 aza43239	1	1	-	-	100	21100-144

1) SPQ (standard pack quantity): Part number includes 1 piece, but delivery is exclusively made in standard pack quantity (SPQ); please order at least the SPQ quantity or a multiple

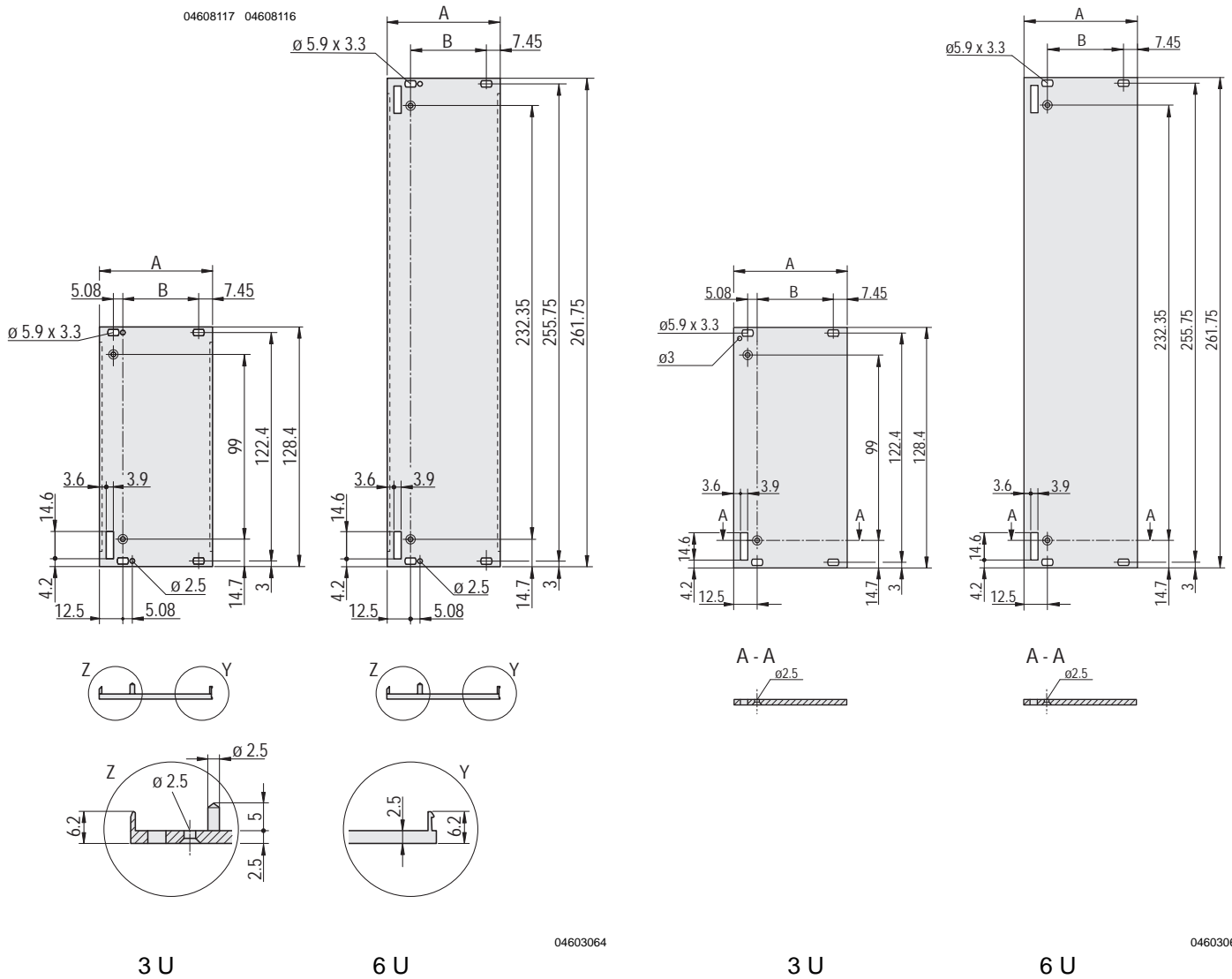
Plug-in units - for VME

Dimensions

Front panels for trapezoidal extractor handles, type 1, shielded/unshielded



04608117 04608116



Dimensions table

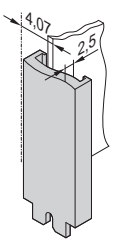
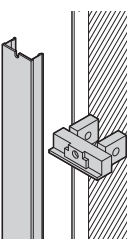
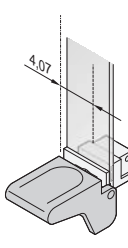
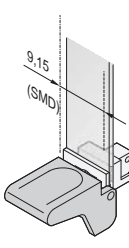
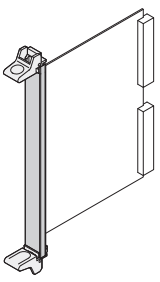
Width	A	B
HP	mm	mm
4	19.98	-
5	25.06	-
6	30.14	-
7	35.22	-
8	40.30	20.32
10	50.46	30.48
12	60.62	40.64

Plug-in units - for Multibus II

Individual components

Front panels/extractor handles for Multibus® II, symmetrical/SMDversion

Order Information

		U front profile  <small>04608095</small> Al extrusion, 1 mm	Mounting block for D-Sub connector (50 pin)  <small>04608098</small> for fixing D-Sub connectors 50-pin, thread on front UNC4/40; required quantity: for 6 U 1x, for 9 U 2x	Extractor handle for Multibus® II symmetrical handle grey, RAL 7032  <small>04608099</small>	SMD handle grey, RAL 7032  <small>04608108</small>
	Width HP	1 piece (SPQ 5) ¹⁾	1 piece (SPQ 10) ¹⁾	1 piece (SPQ 10) ¹⁾	1 piece (SPQ 10) ¹⁾
 <small>04608120</small>	6 U Height			6 U Height top	
	4	30829-001	60829-008	20829-011	20829-004
				bottom	
				20829-011	20829-003
		9 U Height		9 U Height top	
	4	30829-007	60829-008	20829-011	20829-004
			bottom		
			20829-011	20829-003	
Dimensions see page		7.45	7.45	7.45	7.45

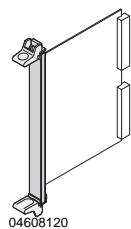
1) SPQ (standard pack quantity): Part number includes 1 piece, but delivery is exclusively made in standard pack quantity (SPQ); please order at least the SPQ quantity or a multiple
 Part no. includes one packing unit (PU); delivery is exclusively made in PU

Plug-in units – for Multibus II

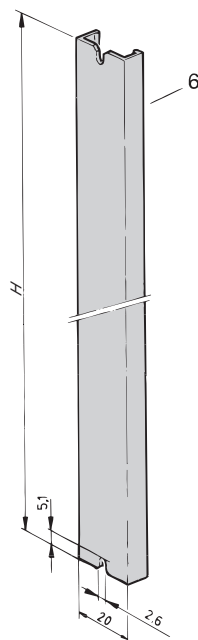
Dimension drawings

Front panels, U profile / front panel for Multibus® II

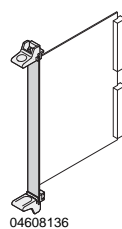
6/9 U



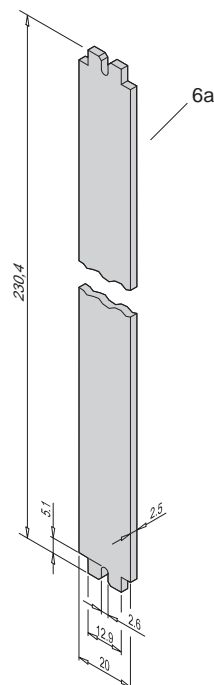
04608120



6 U



04608136



Dimensions table

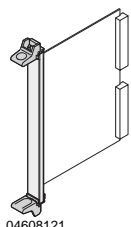
Height U	Height mm
6	230.4
9	363.7

A4-2580

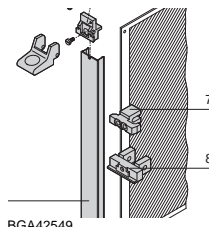
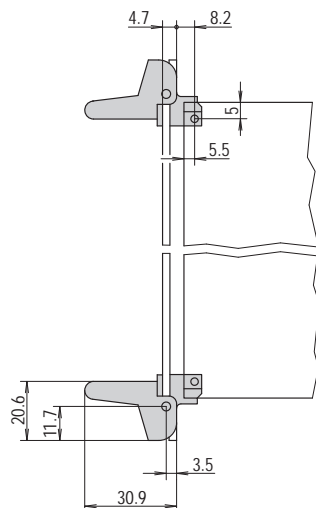
BGA46120

Dimensions

Extractor handles, mounting block for Multibus® II

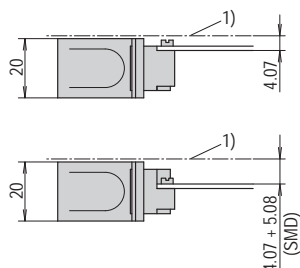
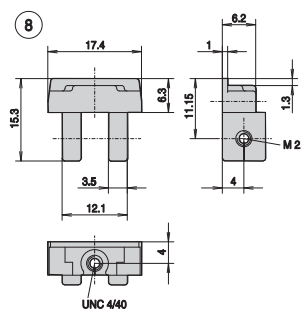
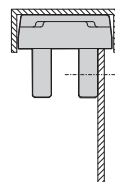


04608121



BGA42549

for D-Sub connector (50 pin)



BGA42585

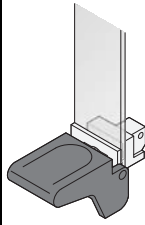
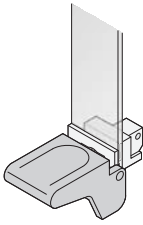

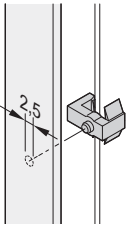
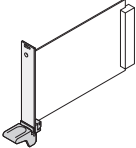
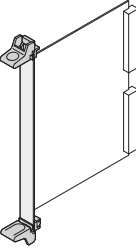
gba42579

Plug-in units – for IEC 60297, key form 1

Individual components

Extractor handles in key form 1

Order Information

	Extractor handle		Front panel	Fixing clip
	black	grey		
	 04608101	 04608102	 04608103	 bga42544
	<p>extractor handle in key form 1, PC, UL 94 V-0; bearing Zn die-cast, nickel-plated; slotted cheesehead screw, M2.5 x 6 (fitted); in the 6 U version, space can be created for SMD components on the left side by swapping the top and bottom handles and thus moving the PCB position 1 HP to the right</p>		Al, 2.5 mm; available on request	for fixing PCB to the front panel (blind hole X2.6, depth 1.3 mm); also for SMD applications; clip, PPE, UL 94 V-0, red
Width HP	1 piece (SPQ 10)¹⁾	1 piece (SPQ 10)¹⁾		PU 100 pieces
 04608123	3 U Height bottom			
	20817-345	20817-325	–	–
 04608122	6 U Height top			
	20817-346	20817-326	–	21100-719
	bottom			
	20817-345	20817-325	–	
Dimensions see page	7.48	7.48	7.48	

1) SPQ (standard pack quantity): Part number includes 1 piece, but delivery is exclusively made in standard pack quantity (SPQ); please order at least the SPQ quantity or a multiple

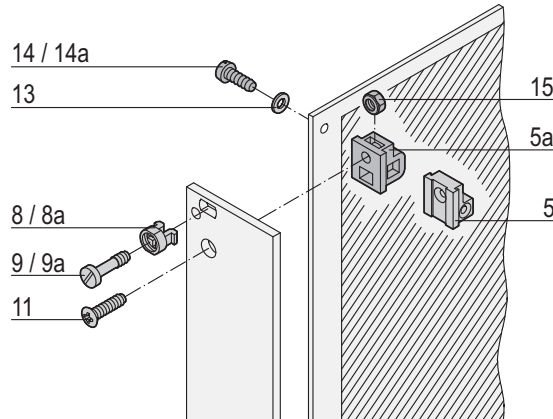
Part no. includes one packing unit (PU); delivery is exclusively made in PU

Plug-in units – for IEC 60297, key form 1

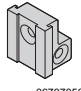
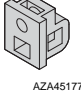
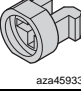






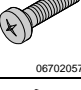

Individual components

Fixing material for extractor handle in key form 1

Order Information



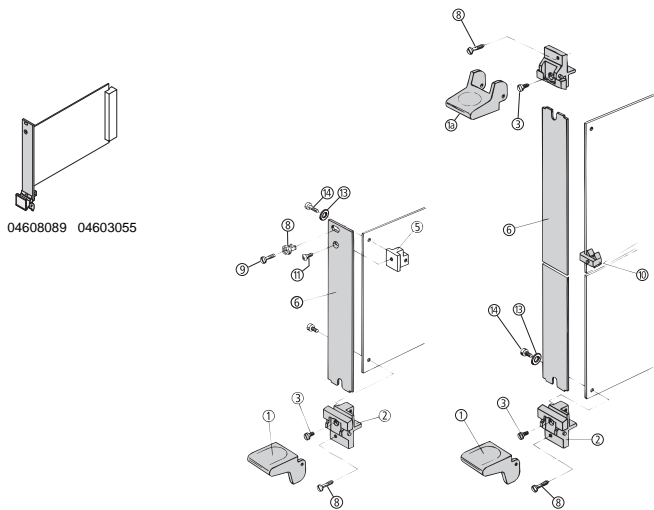
bgs42545

Fixing material	Item	Image	Required Qty		Qty/PU	Part no.
			3 U	6 U		
Board support, die-cast zinc, with thread M2.5, for front panel and PCB fixing	5	 06707050	1	–	1 piece (SPQ 10) ¹⁾	60807-181
Board support, plastic, PBT, UL 94 V-0, grey, with recess for hexagon nut M2.5, for fixing front panel	5a	 AZA45177	1	–	1 piece (SPQ 10) ¹⁾	60807-183
Plastic sleeve, for form hole 5.9 x 3.3 PA, UL 90 V-2, grey	8	 aza45933	1	–	100	21100-464
Metal sleeve, for form hole 5.9 x 3.3, press-in Stainless steel	8a	 aza45934	1	–	100	21100-662
Pozidrive/slotted collar screw M2.5 x 11, St, nickel-plated	9	 AZA46586	2	2	100	21100-748
Pozidrive/slotted collar screw M2.5 x 12.3, St, nickel-plated	9a	 AZA46586	2	2	100	21101-101
Raised Pozidrive countersunk screw M2.5 x 8, St, nickel-plated	11	 06702056	1	–	100	21100-429
Washer 2.7 DIN 125, St, nickel-plated, 100 pieces	13	 AZA46586	2	2	100	21100-721
Pozidrive panhead screw M2.5 x 10, St, nickel-plated for item 5	14	 AZA45177	2	2	100	21101-220
Pan head screw, self-tapping 2.5 x 8, St, zinc-plated for item 5b	14a	 06702057	1	–	100	21100-710
Hexagon nut M2.5, nickel-plated steel for item 5b	15	 aza43239	3	6	100	21100-144

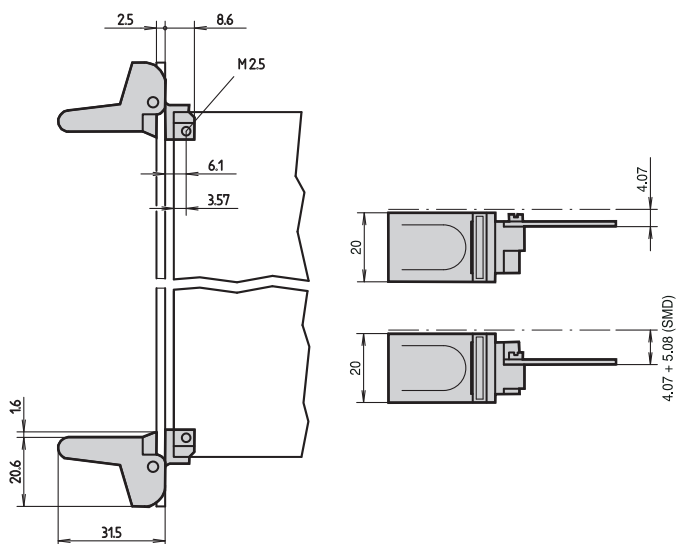
1) SPQ (standard pack quantity): Part number includes 1 piece, but delivery is exclusively made in standard pack quantity (SPQ); please order at least the SPQ quantity or a multiple

Plug-in units - for IEC 60297, key form 1

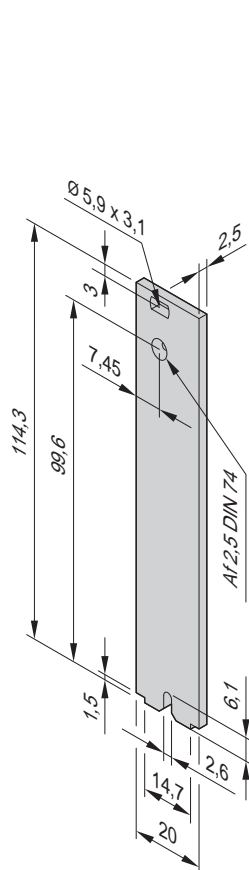
Dimensions Extractor handles/front panels key form 1



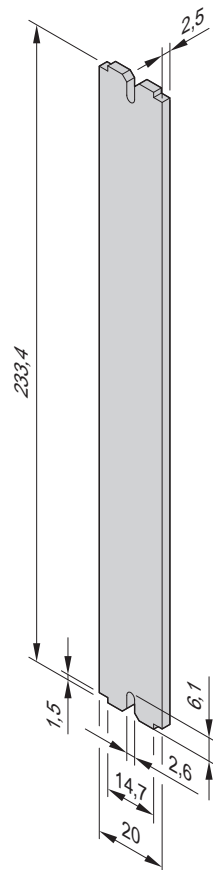
04608089 04603055



04603056



3 U



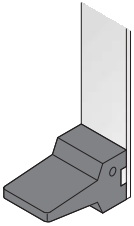

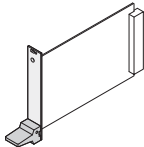
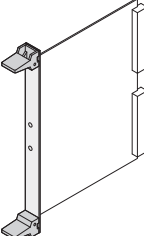
6 U

04603057

Plug-in units – for IEC 60297, key form 2

Individual components Extractor handles in key form 2

Order Information

	<p>Extractor handle black</p>  <p>04608104</p> <p>extractor handle, PBT, UL 90 V-0; bearing Zn die-cast, nickel-plated; incl. assembly kit for handle mounting</p> <p>1 piece (SPQ 10)¹⁾</p>	<p>Front panel</p>  <p>04608106</p> <p>Al, 2.5 mm; available on request</p>
 <p>04608124</p>	<p>3 U Height top</p>	
 <p>04608125</p>	<p>6 U Height top</p>	
	<p>20808-137 –</p>	
	<p>bottom</p>	
	<p>20808-137 –</p>	
<p>Dimensions see page</p>	<p>7.51</p>	<p>7.51</p>

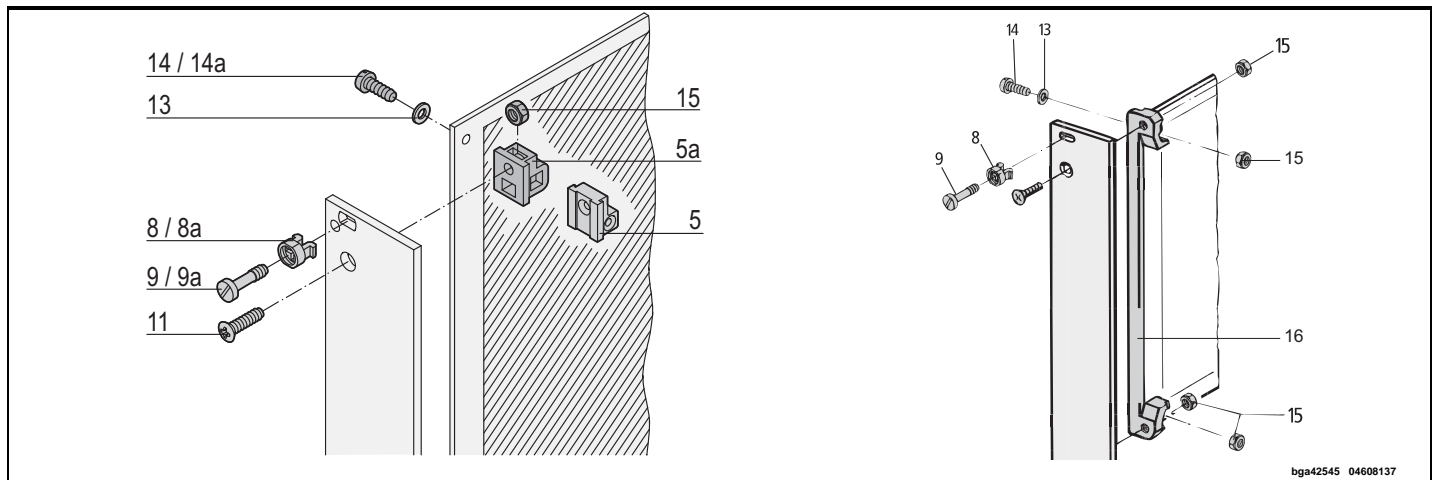
1) SPQ (standard pack quantity): Part number includes 1 piece, but delivery is exclusively made in standard pack quantity (SPQ); please order at least the SPQ quantity or a multiple

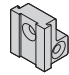
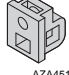
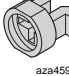


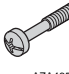


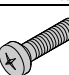
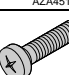

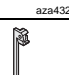
Part no. includes one packing unit (PU); delivery is exclusively made in PU

Plug-in units – for IEC 60297, key form 2

Individual components Fixing material for extractor handles, key form 2

Fixing material for extractor handles, key form 2

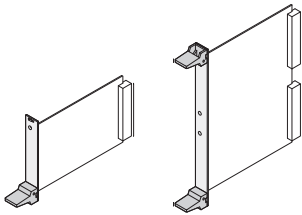


Fixing material	Item	Image	Required Qty		Qty/PU	Part no.
			3 U	6 U		
Board support, die-cast zinc, with thread M2.5, for front panel and PCB fixing	5		1	2	1 piece (SPQ 10) ¹⁾	60807-181
Board support, plastic, PBT, UL 94 V-0, grey, with recess for hexagon nut M2.5, for fixing front panel	5a		1	2	1 piece (SPQ 10) ¹⁾	60807-183
Plastic sleeve, for form hole 5.9 x 3.3 PA, UL 90 V-2, grey	8		1	–	100	21100-464
Metal sleeve, for form hole 5.9 x 3.3, press-in Stainless steel	8a		1	–	100	21100-662
Pozidrive/slotted collar screw M2.5 x 11, St, nickel-plated	9		2	2	100	21100-748
Pozidrive/slotted collar screw M2.5 x 12.3, St, nickel-plated	9a		2	2	100	21101-101
Raised Pozidrive countersunk screw M2.5 x 8, St, nickel-plated	11		1	–	100	21100-429
Washer 2.7 DIN 125, St, nickel-plated, 100 pieces	13		2	2	100	21100-721
Pozidrive panhead screw M2.5 x 10, St, nickel-plated for item 5	14		2	2	100	21101-220
Panhead screw, self-tapping 2.5 x 8, St, zinc-plated for item 5b	14a		1	–	100	21100-710
Hexagon nut M2.5, nickel-plated steel for item 5b	15		3	–	100	21100-144
PCB bracket 4 clearance holes for front panel/PCB fixing, 4 recesses for hexagon nuts; PBT, UL 94 V?0, red	16		1	2	1 piece (SPQ 10)	60807-011

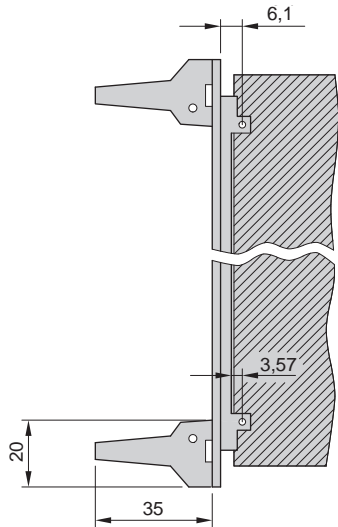
1) SPQ (standard pack quantity): Part number includes 1 piece, but delivery is exclusively made in standard pack quantity (SPQ); please order at least the SPQ quantity or a multiple

Plug-in units - for IEC 60297, key form 2

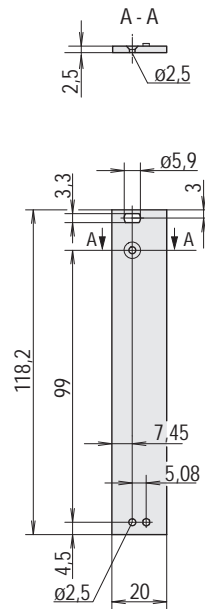
Dimensions Handles/front panels key form 2



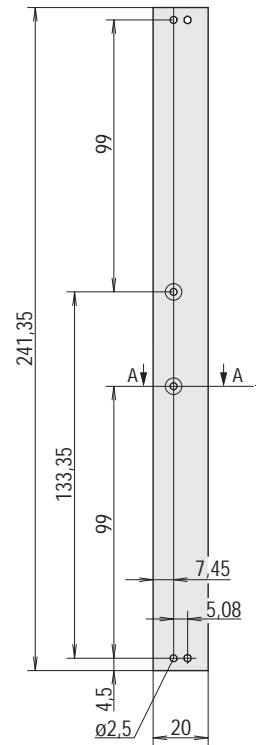
04608124 04608125



BGA42573



3 U

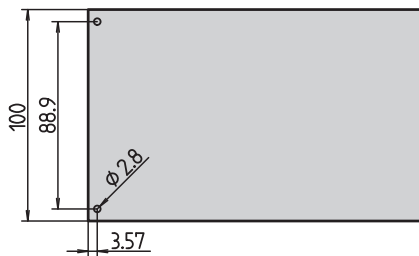


6 U

BGA42578

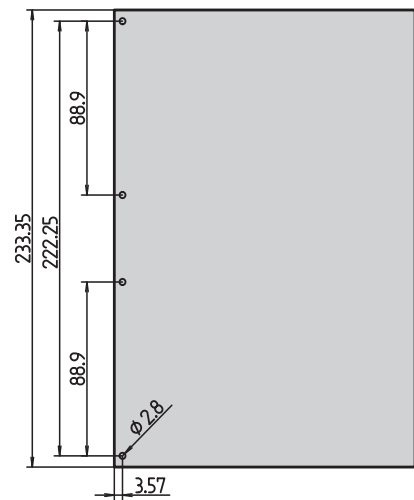
Dimensions Drill hole dimensions on the PCB key form 2

3 U



BGA43076

6 U



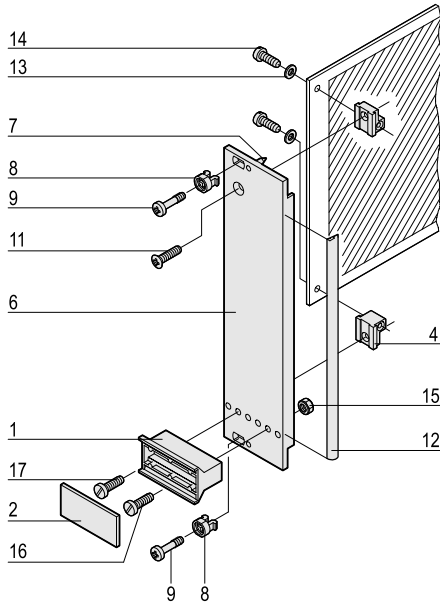
BGA43077

Plug-in units - for IEC 60297, trapeziform

Kits

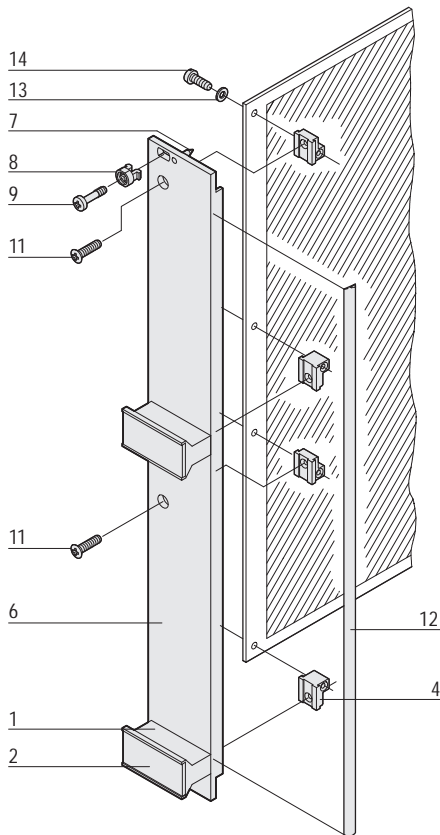
Plug-in unit with static trapeziform handle

3 U



04602062

6 U



04602063

- Front panel, U-profile, shielded
- Handle without extraction function

Delivery comprises

Item	Qty		Description
	3 U	6 U	
1	1	2	Plastic handle, trapeziform, PPE, grey
2	1	2	Identification plate, Al, 1.5 mm, anodised, cut edges plain
4	2	4	Board support, die-cast zinc
6	1	1	Front panel, U profile, for trapeziform handle, front anodised, rear conductive
7	2	2	Alignment pin, pressed-in, stainless steel
8	2	2	Sleeve, PA, grey, up to 7 HP front panel width
8	4	4	Sleeve, PA, grey, from 8 HP front panel width
9	2	2	Pozidrive/slotted collar screw, St, nickel-plated, M2.5 × 11 and 12.3, front panel width up to 7 HP
9	4	4	Pozidrive/slotted collar screw, St, nickel-plated, M2.5 × 11 and 12.3, front panel width from 8 HP
11	1	2	Raised countersunk screw, St, nickel-plated, M2.5 × 8
12	1	1	EMC sealing (textile)
13	2	4	Washer, A2.7, DIN 125
14	2	4	Pozidrive flathead screw, St, nickel-plated, M2.5 × 10
15	1	2	Hexagon nut, St, nickel-plated, M2.5
16	1	2	Pozidrive flathead screw, St, nickel-plated, M2.5 × 12
17	1	2	Pozidrive flathead screw, St, nickel-plated, M2.5 × 16

Order Information

Width HP	Qty	
	3 U Part no.	6 U Part no.
3	20848-663	20848-671
4	20848-664	20848-672
5	20848-665	20848-673
6	20848-666	20848-674
7	20848-667	20848-675
8	20848-668	20848-676
10	20848-669	20848-677
12	20848-670	20848-678



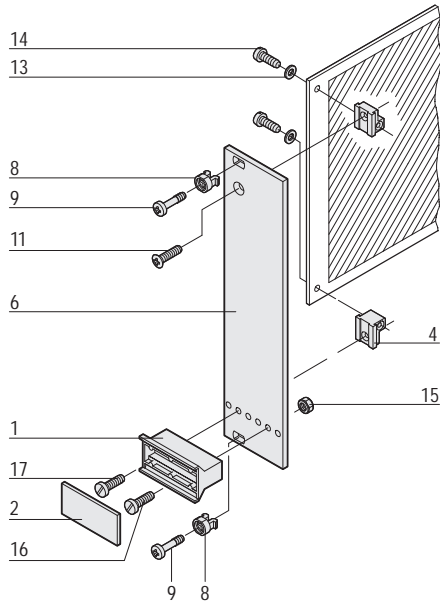
For further information www.schroff.biz/oneclick
oneClick search code = Part no.

Plug-in units – for IEC 60297, trapeziform

Kits

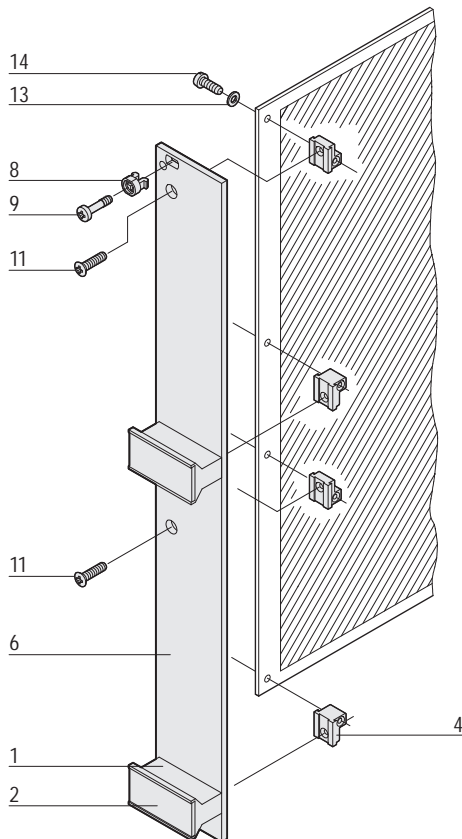
Plug-in unit with static trapeziform handle

3 U



04602064

6 U



04602065

- Front panel unshielded
- Handle without extraction function

Delivery comprises

Item	Qty	3 U	6 U	Description
1	1	2		Plastic handle, trapeziform, PPE, grey
2	1	2		Identification plate, Al, 1.5 mm, anodised, cut edges untreated
4	2	4		Board support, die-cast zinc
6	1	1		Front panel for trapeziform handle, front anodised, rear iridescent green chromated
8	2	2		Sleeve, PA, grey, up to 7 HP front panel width
8	4	4		Sleeve, PA, grey, from 8 HP front panel width
9	2	2		Pozidrive/slotted collar screw, St, nickel-plated, M2.5 × 11 and 12.3, front panel width up to 7 HP
9	4	4		Pozidrive/slotted collar screw, St, nickel-plated, M2.5 × 11 and 12.3, front panel width from 8 HP
11	1	2		Raised countersunk screw, St, nickel-plated, M2.5 × 8
13	2	4		Washer, A2.7
14	2	4		Pozidrive flathead screw, St, nickel-plated, M2.5 × 8
15	1	2		Hexagon nut, St, nickel-plated, M2.5
16	1	2		Pozidrive flathead screw, St, nickel-plated, M2.5 × 12
17	1	2		Pozidrive flathead screw, St, nickel-plated, M2.5 × 16

Order Information

Width	3 U	6 U
HP	Part no.	Part no.
3	20818-017	20809-507
4	20818-018	20818-025
5	20818-019	20818-026
6	20818-020	20818-027
7	20818-021	20818-162
8	20818-022	20818-028
10	20818-023	20818-029
12	20818-024	20818-120



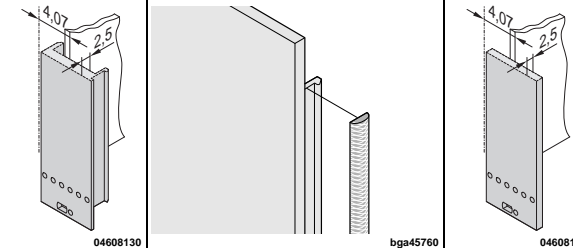
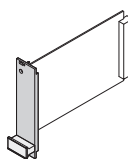
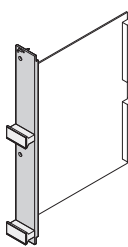
For further information www.schroff.biz/oneclick
oneClick search code = Part no.

Plug-in units - for IEC 60297, trapeziform

Individual components

Front panels for static cantilever handles

Order Information

		Front panel, U-profile, shieldable		Front panel unshielded	
		Front panel, U-profile	Textile EMC gasket		
 <p>04608130 bga45760 04608131</p>		<p>Al extrusion, front anodised, rear conductive, alignment pin pressed-in, stainless steel</p>	<p>always fixed laterally on the front panel, in the groove of the profile, textile gasket, core: foam, sleeve: textile cladding with CuNi coating, UL 94 V-0, temperature range -40 ... 70 °C</p>	<p>front panel, Al 2.5 mm; front anodised; rear iridescent green chromated</p>	
		<p>1 piece (SPQ 5)¹⁾</p>	<p>PU 10 pieces PU 100 pieces</p>	<p>1 piece (SPQ 5)¹⁾</p>	
		3 U Height			
 <p>04608126</p>	3	30849-086	21101-853	21101-854	30847-602
	4	30849-087			30847-603
	5	30849-088			30847-604
	6	30849-089			30847-605
	7	30849-090			30847-606
	8	30849-091			30847-607
	10	30849-092			30847-608
12	30849-093	30847-609			
		6 U Height			
 <p>04608127</p>	3	30849-097	21101-855	21101-856	30847-625
	4	30849-098			30847-626
	5	30849-099			30847-627
	6	30849-100			30847-628
	7	30849-101			–
	8	30849-102			30847-630
	10	30849-103			30847-631
12	30849-104	–			
Dimensions see page		7.58			7.58

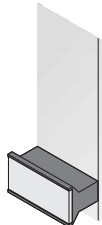
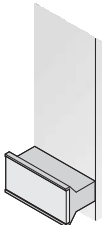
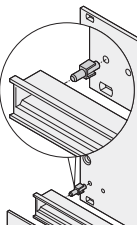
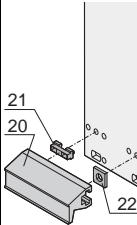
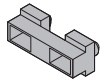
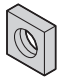
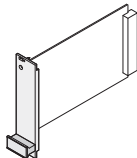
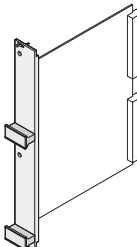
1) SPQ (standard pack quantity): Part number includes 1 piece, but delivery is exclusively made in standard pack quantity (SPQ); please order at least the SPQ quantity or a multiple
 Part no. includes one packing unit (PU); delivery is exclusively made in PU

Plug-in units – for IEC 60297, trapeziform

Individual components

Static trapeziform handle

Order Information

	Plastic handle in trapeziform			Al profile handle			
	Trapeziform handle black	Trapeziform handle grey	Fixing clip	Handle	Fixing part for Al profile handle	Square nut	
							
	04608132	04608133	04808064	04608134	04608135	06707050	
	handle: PPE, UL 94 V-1; identification plate: Al, 1.5 mm, anodised, cut edges plain; please order clip separately; required quantity: 1 handle for 3 U, 2 handles for 6 U		clip, PPE, UL 94 V-0, black, mounting aid from 5 HP to 42 HP	Al extrusion, anodised; fixing part, POM, black; square nut, St, nickel-plated; at length of 1000 mm only Al extrusion	fixing part, POM, black	DIN 562, M2.5, St, nickel-plated	
Width HP	1 piece (SPQ 5)¹⁾	1 piece (SPQ 5)¹⁾	PU 100 pieces	1 piece (SPQ 10)¹⁾	PU 100 pieces	PU 100 pieces	
3 / 6 U Height							
	3	20809-396	20809-294	21101-239	20809-281		
	4	20809-397	20809-295		20809-282		
	5	20808-080	20808-003		20809-283		
	6	20808-081	20808-060		20809-284		
	7	20808-082	20808-061		20809-285		
	8	20808-083	20808-062		20809-286		
	9	20808-084	20808-063		20809-287		
	10	20808-085	20808-004		20809-288	–	
	12	20808-086	20808-064		20809-289		
	14	20808-087	20808-065		20809-290		
	21	20808-088	20808-066		20809-291		
	28	20808-089	20808-067		20809-292		
	40	20808-090	20808-009		–		
	42	20808-091	20808-068		20809-293		
	61	20808-092	20808-012		–		
	1000 mm	–	–		–	30809-428	21100-476
Fixing material see page		7.57 Item 15, 16, 17					
Dimensions see page		7.57	7.57		7.59	7.59	

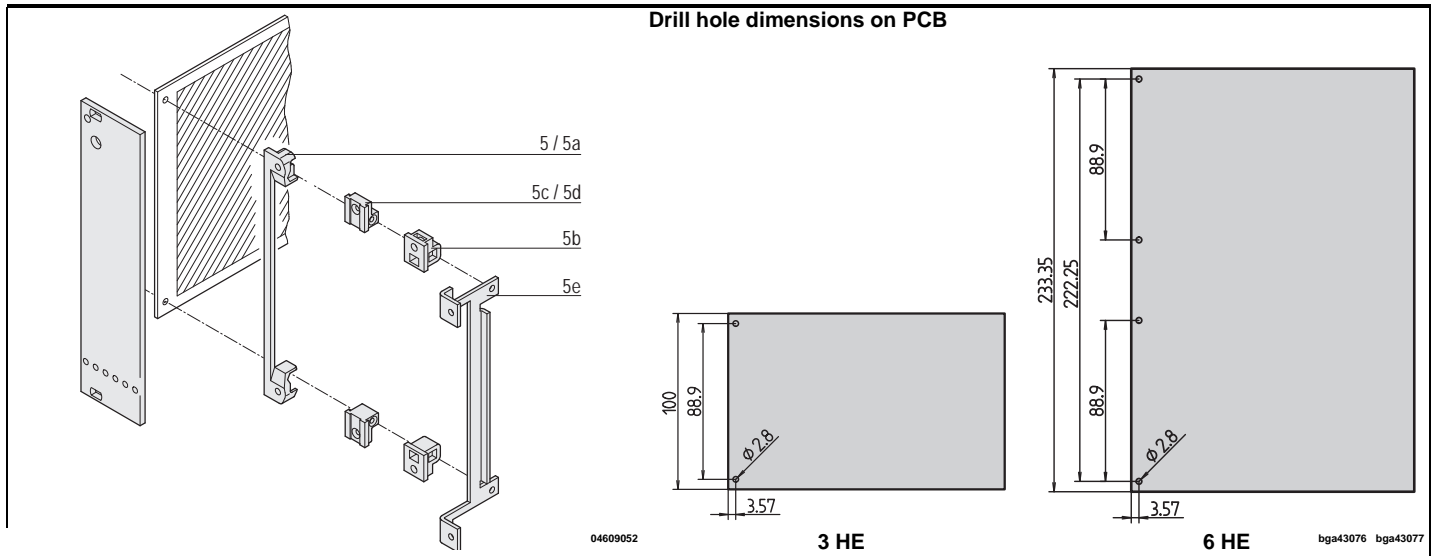
1) SPQ (standard pack quantity): Part number includes 1 piece, but delivery is exclusively made in standard pack quantity (SPQ); please order at least the SPQ quantity or a multiple

Part no. includes one packing unit (PU); delivery is exclusively made in PU

Plug-in units - for IEC 60297, trapeziform

Individual components

PCB bracket for static trapeziform handle



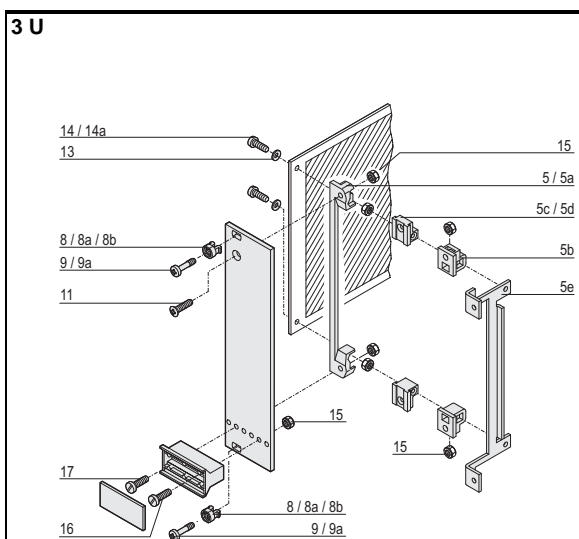
	Item	Image	Required Qty		Qty/PU	Part no.
			3 U	6 U		
PCB bracket 4 clearance holes for front panel/PCB fixing, 4 recesses for hexagon nuts; PBT, UL 94 V-0, red	5		1	2	1 piece (SPQ 10) ¹⁾	60807-011
PCB bracket 4 threads M2.5 for front panel/PCB fixing, PBT, UL 94 V-0, grey, 1 piece	5a	 AZA45177	1	2	1 piece (SPQ 10) ¹⁾	60807-211
PCB bracket Clearance hole for front panel fixing, with recess for hexagon nut, drill hole for self-tapping screw for PCB fixing, PBT, UL 94 V-0, grey, 1 piece	5b	 AZA45177	2	4	1 piece (SPQ 10) ¹⁾	60807-183
PCB bracket 2 threads M2.5 for front panel/PCB fixing, die-cast zinc, 1 piece	5c	 06707050	2	4	1 piece (SPQ 10) ¹⁾	60807-181
PCB bracket Thread M2.5 for front panel fixing, clearance hole for PCB fixing, die-cast zinc, 1 piece	5d	 06707050	2	4	1 piece (SPQ 10) ¹⁾	60807-203
PCB bracket 4 M2.5 threads for fixing front panel/PCB for recessed PCB mounting (20 mm), mounting depth 192.24 mm, St, zinc-plated; not for europacPRO, multipacPRO, ratiopacPRO, propacPRO or compacPRO, 1 piece	5e	 AZA46586	1	2	1 piece (SPQ 10) ¹⁾	30808-871

1) SPQ (standard pack quantity): Part number includes 1 piece, but delivery is exclusively made in standard pack quantity (SPQ); please order at least the SPQ quantity or a multiple

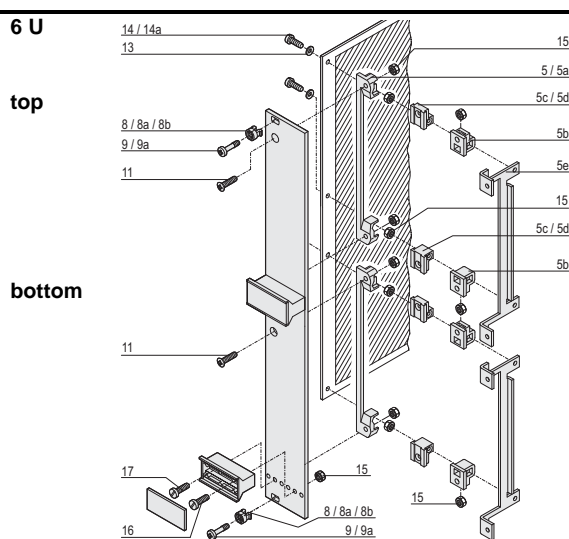
Plug-in units – for IEC 60297, trapeziform

Individual components

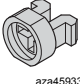
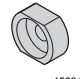
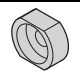

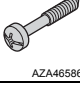
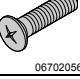




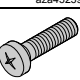
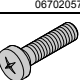
Fixing material for static trapeziform handle



04609053



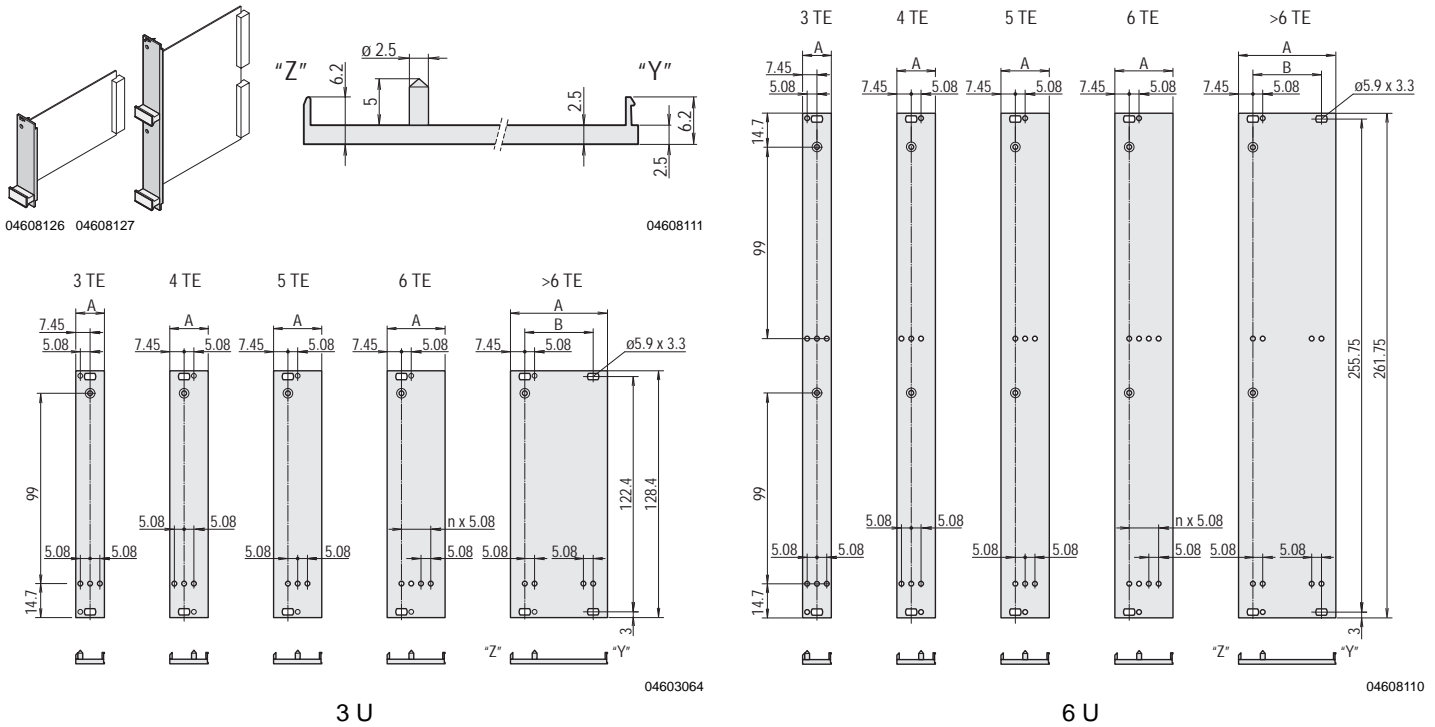
04609054

	Item	Image	3 U		6 U		Qty/PU	Part no.
			< 8 HP	≥ 8 HP	< 8 HP	≥ 8 HP		
Plastic sleeve, for form hole 5.9 x 3.3 PA, UL 90 V-2, grey	8		2	4	2	4	100	21100-464
Metal sleeve, for form hole 5.9 x 3.3, press-in Stainless steel	8		2	4	2	4	100	21100-662
Metal sleeve, for form hole 5.9 x 3.3, to press-in Nickel-plated brass	8a		2	4	2	4	100	21100-660
Pozidrive/slotted collar screw M2.5 x 11, St, nickel-plated not for europacPRO and cases	9		2	4	2	4	100	21100-748
Pozidrive/slotted collar screw M2.5 x 12.3, St, nickel-plated	9a		2	4	2	4	100	21101-101
Raised Pozidrive countersunk screw M2.5 x 8, St, nickel-plated	11		1	1	2	2	100	21100-429
Washer 2.7 DIN 125, St, nickel-plated, 100 pieces	13		2	2	4	4	100	21100-721
Pozidrive panhead screw M2.5 x 8, nickel-plated steel if using item 13	14		2	2	4	4	100	21101-069
Panhead screw, self-tapping 2.5 x 8, St, zinc-plated for items 5 and 5b	14a		1	1	–	–	100	21100-710
Hexagon nut M2.5, nickel-plated steel for items 5 and 5b	5 5b		4 2	4 2	8 4	8 4	100	21100-144
Pozidrive panhead screw M2.5 x 12, nickel-plated steel	16		1	1	2	2	100	21101-221
Pozidrive panhead screw M2.5 x 16, nickel-plated steel	17		1	1	2	2	100	21101-222

1) SPQ (standard pack quantity): Part number includes 1 piece, but delivery is exclusively made in standard pack quantity (SPQ); please order at least the SPQ quantity or a multiple

Plug-in units - for IEC 60297, trapeziform

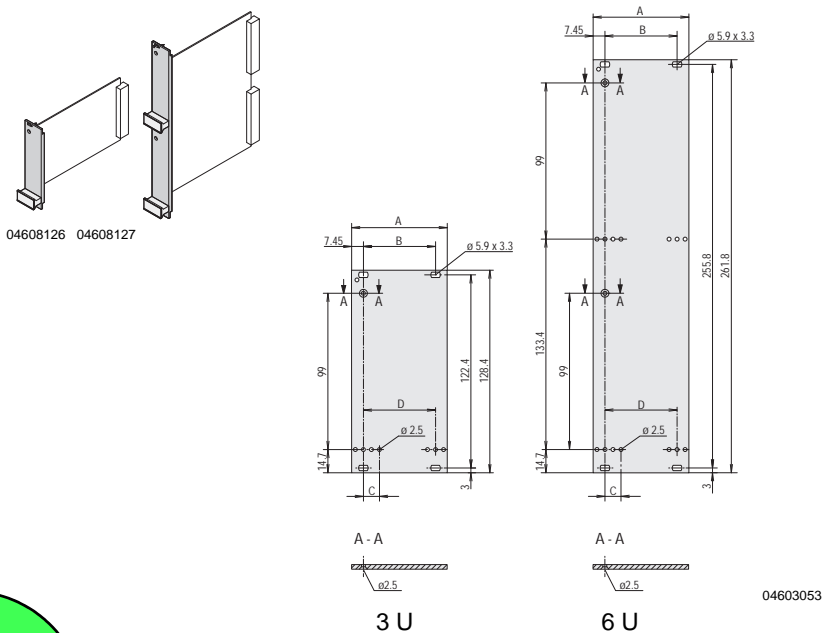
Dimensions Front panels, U profile, shieldable for static trapeziform handle



Dimensions table

Width HP	A mm	B mm
3	14.90	-
4	19.98	-
5	25.06	-
6	30.14	-
7	35.22	-
8	40.30	25.40
10	50.46	35.56
12	60.62	45.72

Dimensions Front panels for static trapeziform handle

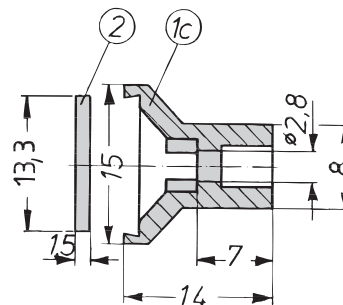
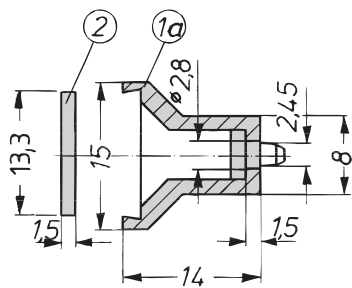
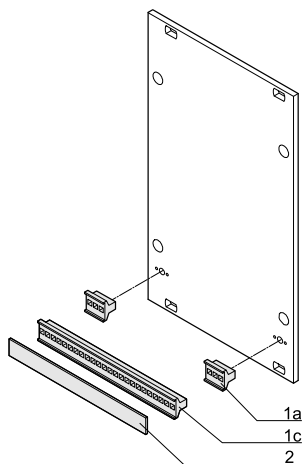


Dimensions table

Width HP	A mm	B mm	C mm	D mm
3	14.90	-	-	-
4	19.98	-	-	-
5	25.06	-	10.16	-
6	30.14	-	-	15.24
7	35.22	-	-	20.32
8	40.30	25.40	-	25.40
10	50.46	35.56	-	35.56
12	60.62	45.72	-	45.72

Plug-in units - for IEC 60297, trapeziform

Dimensions Static plastic handles, trapeziform



Dimensions table

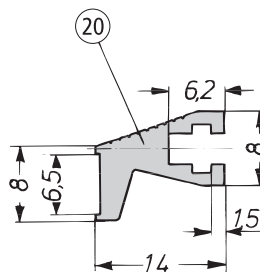
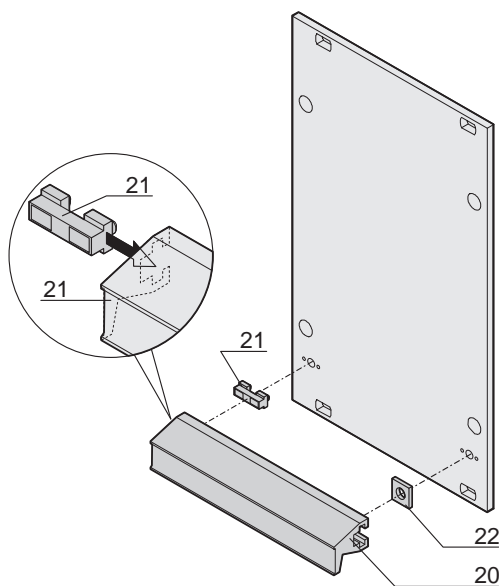
Item	Width	
	HP	mm
1a	3	13.8
1a	4	18.9
1c	5	24.0
1c	6	29.0
1c	7	34.1
1c	8	39.2
1c	9	44.3
1c	10	49.4
1c	12	59.6
1c	14	69.7
1c	21	105.2
1c	28	140.8
1c	40	201.8
1c	42	212.0
1c	61	308.5

BGA46447

A4-328a

A4-328c

Dimensions Aluminium extrusion handles



Dimensions table

Item	Width	
	HP	mm
20	3	13.8
20	4	18.9
20	5	24.0
20	6	29.0
20	7	34.1
20	8	39.2
20	9	44.3
20	10	49.4
20	12	59.6
20	14	69.7
20	21	105.2
20	28	140.8
20	40	201.8
20	42	212.0
20	-	1000

04602069

A4-328d

Plug-in units - with mechanical shielding

Plug-in unit with mechanical shielding, 3 U kits



04694001

- Mechanical protection of sub-assembly
- Earthing of shielding panels possible by Faston connectors 6.3 x 0.6 mm
- For euroboards 100 x 160 mm

Handles
without extraction function



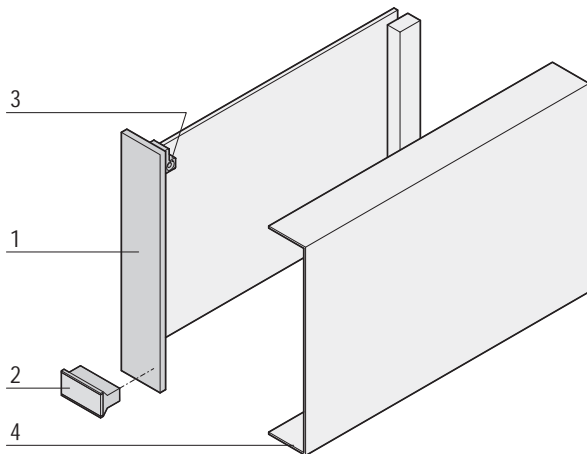
04692003

Handles
with extraction function



04692005

3 U kit, shielding component side, handles with/without extraction function



04602077

- Usable connectors in accordance with EN 60603 (DIN 41612): Construction type B, C, D, F, H, R;

Delivery comprises (kit)

Item	Qty	Description
1	1	Front panel, Al, 2.5 mm, front: anodised, rear: iridescent green chromated
2	1	Trapeziform handle, PPE, UL 94 V-1, grey
3	1	Board support, PBT, UL 94 V-0, red
5	1	Assembly kit (also for shielding panels)

Order Information

Width	H	Plug-in unit without extractionfunction	Plug-in unit with extractionfunction
HP	mm	Part no.	Part no.
6	24.60	20809-502	20809-516

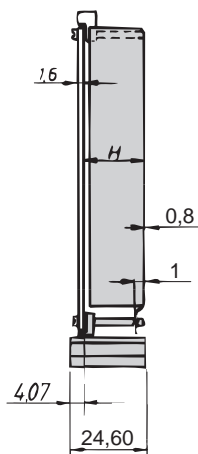
Item 4	Shielding panel component side for 7 HP front panel width, stainless steel, 0.8 mm, 1 piece	20809-371	20809-371
--------	---	-----------	-----------

Note

- Keying/coding with separate keying/coding strip is not possible
- Please order shielding plates separately



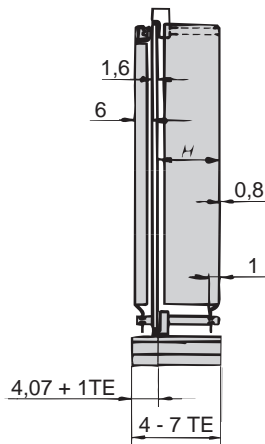
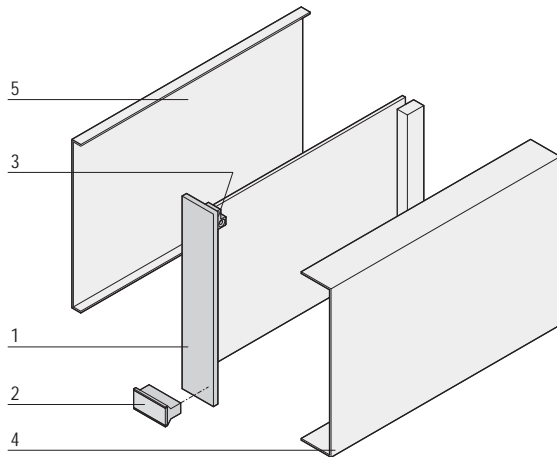
For further information www.schrock.biz/oneclick
oneClick search code = Part no.



a4-237

Plug-in units – with mechanical shielding

3 U kits, both sides shielded
(solder/component side),
handles with/without extraction function



04602078

a4-236a

- Usable connectors in accordance with EN 60603 (DIN 41612): Construction type B, C, D, F, H, R;

Delivery comprises

Item	Qty	Description
1	1	Front panel, Al, 2.5 mm, front: anodised, rear: iridescent green chromated
2	1	Trapeziform handle, without extraction function, PPE, UL 94 V-1, grey
3	2	Board support, PBT, UL 94 V-0, red
6	1	Assembly kit (also for shielding panels)

Order Information

Width	H	Plug-in unit without extraction function	Plug-in unit with extraction function
HP	mm	Part no.	Part no.
4	9.60	20809-495	–
5	14.70	20809-496	20809-511
6	19.80	20809-497	20809-512
7	24.90	20809-498	20809-513
Item 4 Shielding panel component side for 4 HP front panel width, stainless steel, 0.8 mm, 1 piece			
		20809-329	20809-329
Item 4 Shielding panel component side or 5 HP front panel width, stainless steel, 0.8 mm, 1 piece			
		20809-357	20809-357
Item 4 Shielding panel component side for 6 HP front panel width, stainless steel, 0.8 mm, 1 piece			
		20809-359	20809-359
Item 4 Shielding panel component side for 7 HP front panel width, stainless steel, 0.8 mm, 1 piece			
		20809-371	20809-371
Item 5 Shielding panel on solder side, stainless steel, 0.8 mm, 1 piece			
		30809-571	30809-571

Note

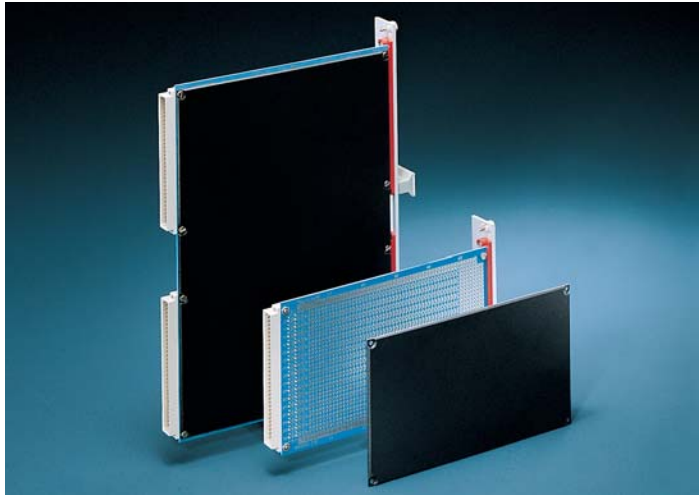
- Keying/coding with separate keying/coding strip is not possible
- Where the shielding plate is used for the solder side, the PCB is offset to the right by 1 HP



For further information www.schroff.biz/oneclick
OneClick search code = Part no.

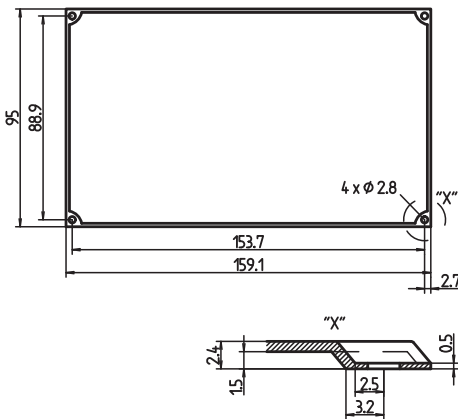
Plug-in units - with mechanical shielding

PCB cover for euroboards



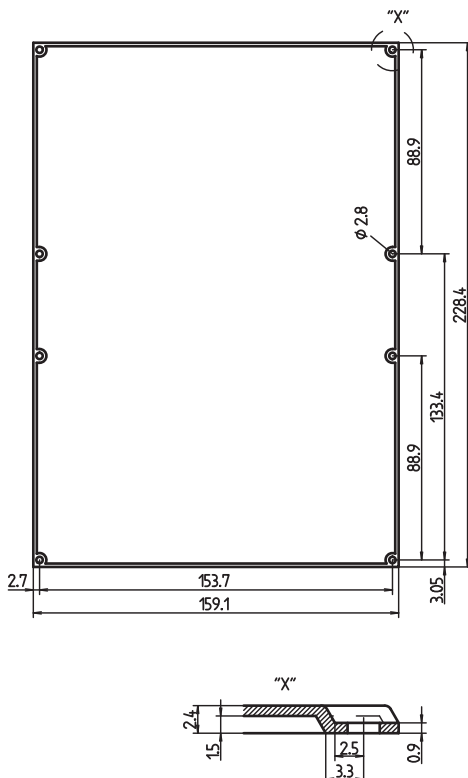
11092008

For PCBs 100 x 160 mm



LKA40520

For PCBs 233.35 x 160 mm



LKA30451

- Mechanical protection of the solder side

Order Information

Description	Qty	Part no.
PCB cover (thickness 0.9 mm) for euroboards (100 x 160 mm), PBT, black, max. operating temperature without permanent deformation 55 °C	1 piece (SPQ 10)	61000-007
PCB cover (thickness 0.9 mm) with similar temperature expansion coefficients to FR4 PCB; for euroboards (100 x 160 mm), LCP, UL 94 V-0, white, max. operating temperature without permanent deformation 85 °C	1 piece (SPQ 10)	61000-177
PCB cover for double euroboards (233.35 x 160 mm), PP, UL 94 V-0, black	1 piece (SPQ 10)	61000-012
Slotted flathead screw M2.5 x 6, height of head 1.2 mm, PU 100 pieces		21102-007
Slotted flathead screw M2.5 x 12, height of head 1.2 mm, PU 100 pieces		21102-008

SPQ (standard pack quantity): Part number includes 1 piece, but delivery is exclusively made in standard pack quantity: please order at least 10 pieces of PCB covers or a multiple

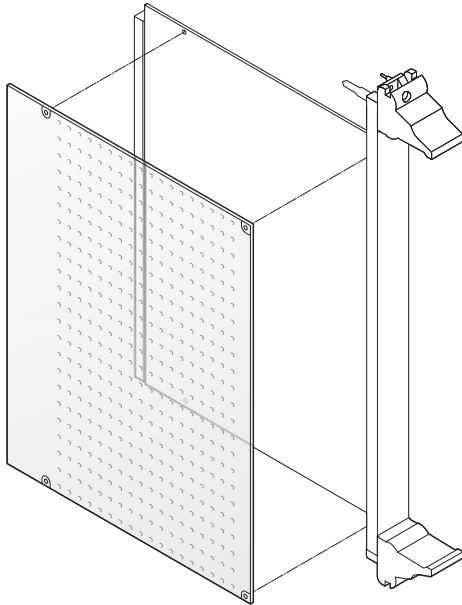


For further information www.schroff.biz/oneclick

oneClick search code = Part no.

Plug-in units – with mechanical shielding

PCB cover for CompactPCI



12303051

- Mechanical protection of solder side
- Cover is perforated for better cooling of components

Delivery comprises

Item	Qty	Description
1	1	Cover, plastic, 0.5 mm, antistatic, perforated, UL 94 V-0; max. operating temperature 65 °C, max. continuous operating temperature 55 °C

Order Information

Height U	Depth mm	Part no.
6	80	24579-039
3	160	24579-037
6	160	24579-038
Fixing clips PU 100 pieces		21101-914

Note

- Fixing clips are required for mounting the perforated covers; please order separately



For further information www.schroff.biz/oneclick
oneClick search code = Part no.