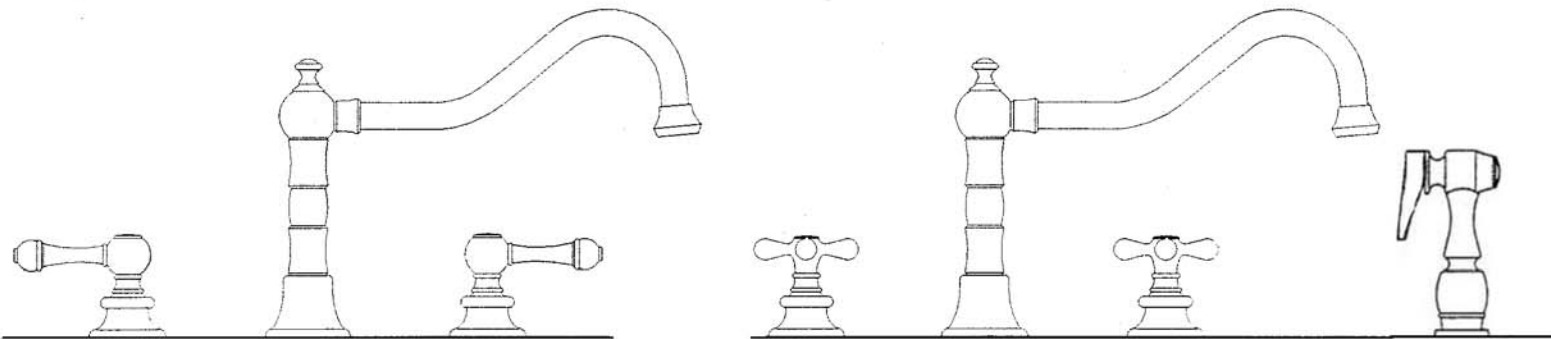


VINTAGE KITCHEN SET

INSTALLATION INSTRUCTIONS

IMPORTANT:

Please leave these instructions with the installed faucet. They contain valuable information for future reference.



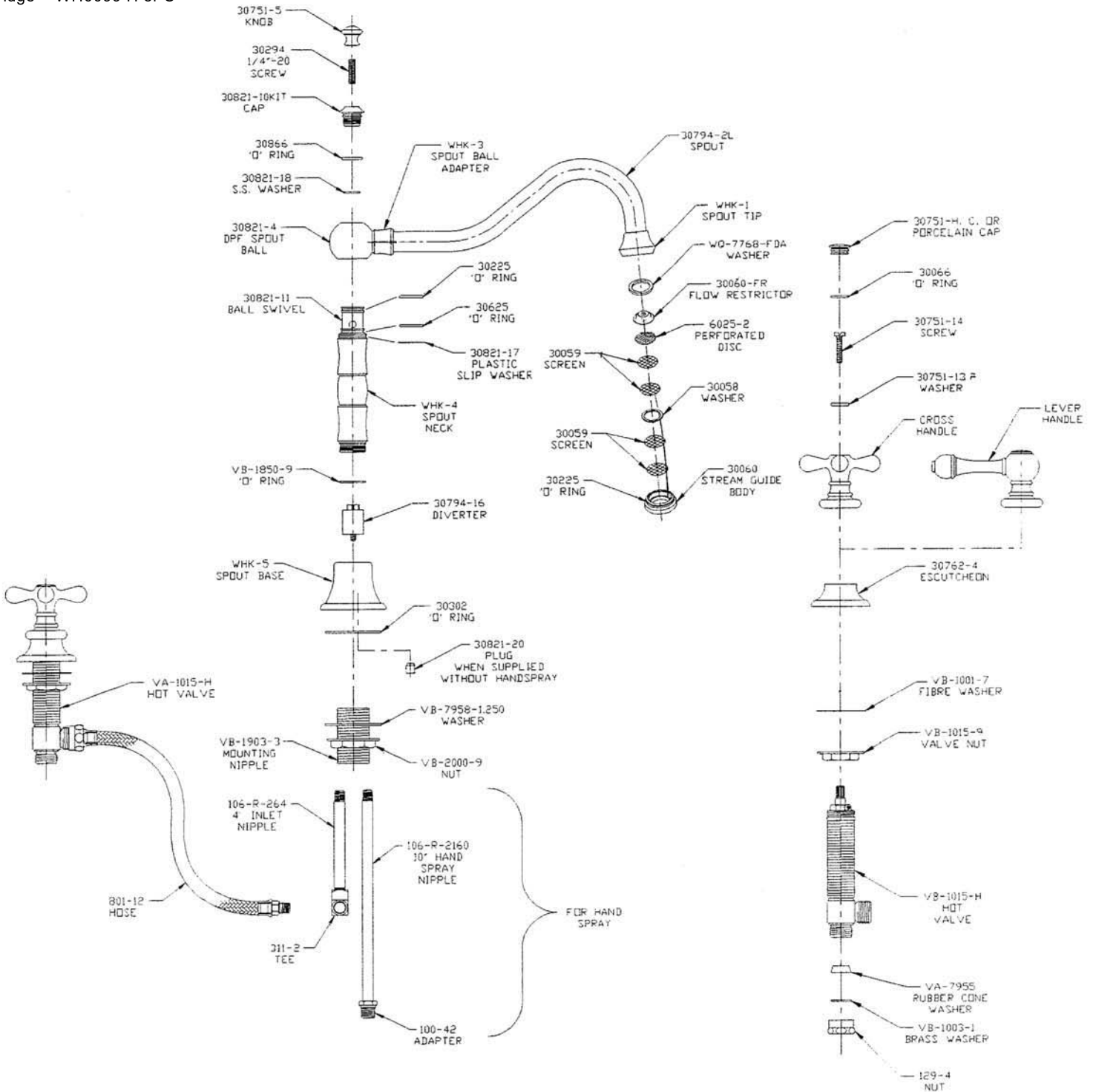
CARE AND MAINTENANCE OF YOUR FAUCET

Electroplated finishes (polished chrome & satin chrome) are the most durable and least susceptible to tarnishing. Clear-coated finishes are also excellent but require a bit more care in use. Simply wipe clean with a damp sponge and buff back to the original luster with a soft cloth. All finishes can benefit from an occasional application of non-abrasive clear wax. Never use abrasive cleaners, acids, solvents, etc. to clean this product.

3300 4400 8851



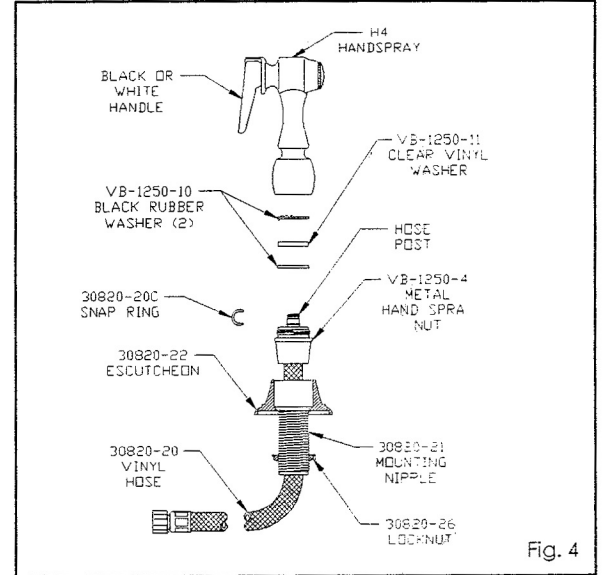
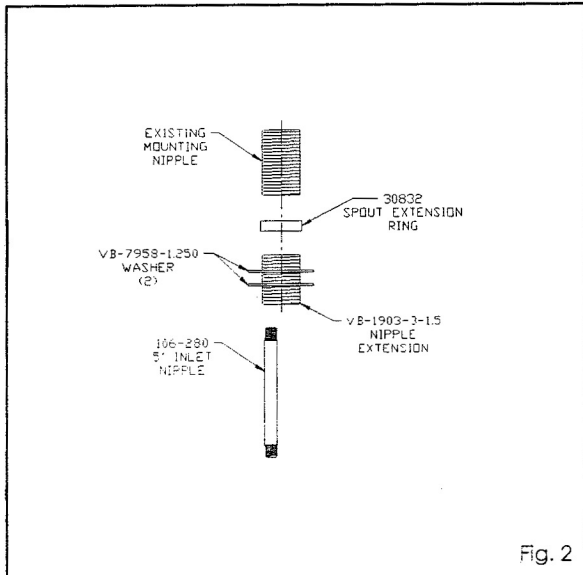
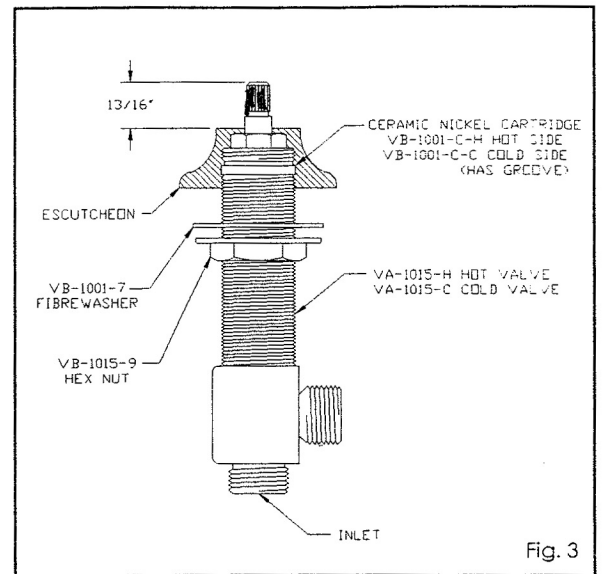
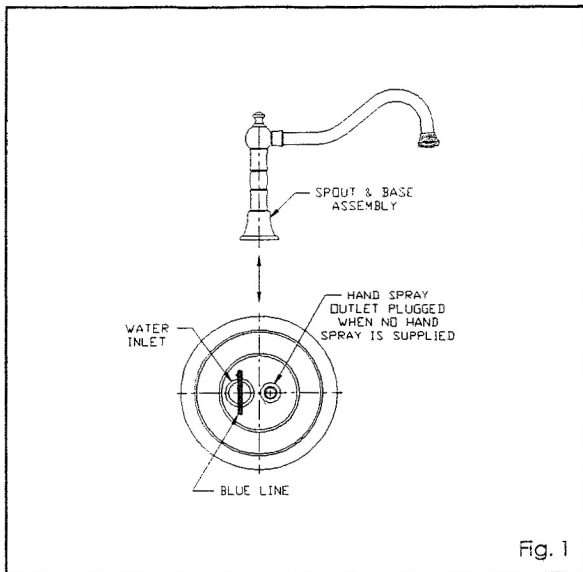
WHITEHAUS[®]
COLLECTION
A Collection of Fine Products



SPOUT INSTALLATION

NOTE: IF COUNTER IS OVER 1-1/2" THICK ORDER EXTENSION KIT SEE FIG. 2

- 1.) Locate the inlet in the spout body. **IMPORTANT-WATER INLET IS MARKED WITH BLUE LINE. IF LINES ARE REVERSED HAND SPRAY WILL ALLOW A SPURT OF WATER AND THEN SHUT DOWN.** See Fig. 1
- 2.) Screw VB-1903-3 mounting nipple in base of spout assembly and tighten.
- 3.) Place 30302 'O' ring on underside of spout base then slide spout assembly into sink or counter. Install VB-7958-1.250 washer and VB-2000-9 nut on to mounting nipple. Tighten nut.
- 4.) Apply Teflon tape to the threads on the 4" long nipple with attached "tee". Screw the inlet nipple into the water inlet marked in BLUE. See Fig. 1 **Position flats to allow installation of hand spray nipple if required.**
- 5.) Apply Teflon tape to the 10" hand spray nipple and screw it into the other hole in the base. See Fig. 1



VALVE AND HAND SPRAY INSTALLATION

- 1.) Install VB-1015-9 nut and VB-1001-7 fibre washer on valve body. Screw nut on all the way.
- 2.) Apply silicone to underside of escutcheon. Do not use Plumber's Putty.
- 3.) Install valve body up into hole in sink or counter.
- 4.) Screw on escutcheon to dimension shown in Figure 3 from top of valve stem to top of escutcheon.
- 5.) Repeat for other valve & check fit with handles.
- 6.) Align outlet of valve bodies towards each other. Secure valve bodies. **CAUTION-MAKE SURE HANDLE WILL ALIGN PROPERLY IN THE OFF POSITION BEFORE SECURING LOCKNUTS.**
- 7.) Attach 7801-12 hoses to tee then valves. Loop hoses to avoid kinking. **CAUTION-SUPPORT INLET WHEN ATTACHING HOSES.**
Attach supplies to valve inlets.
- 9.) Align handle onto valve stem. Fasten with supplied hardware.
- 10.) Install hand spray to the long nipple if supplied. (Fig. 4)
- 11.) Remove 30060 stream guide assembly from spout outlet with tool provided. Turn on water supplies and check for leaks. Run water through faucet for sufficient time to flush any debris from lines. Re-install stream guide assembly.