

no longer available - archive entry replaced by: E11819

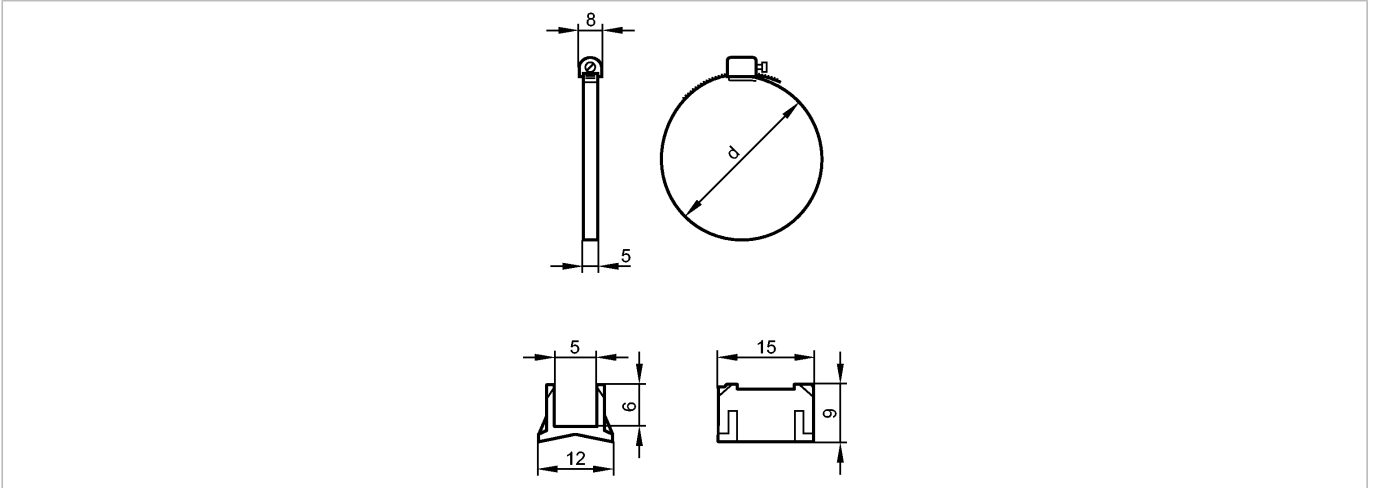
efector100

E10768



FIXING STRAP CLEAN-LINE CYL

Accessories



Product characteristics

Fixing strap for smooth body cylinders

Ø 40 mm

Piston diameter

Mechanical data

Design

for types MKT, MKR

Housing materials

stainless steel (303S22)

Piston diameter [mm]

40

Clamping range d [mm]

38...49; 48...59

Weight [kg]

0.012

Accessories

Accessories (included)

adapter for types MKT

Remarks

Pack quantity [piece]

1

ifm efector, inc. • 1100 Atwater Drive • Malvern • PA 19355 — We reserve the right to make technical alterations without prior notice. — US — E10768 — 24.07.2008

no longer available - archive entry replaced by: E11819