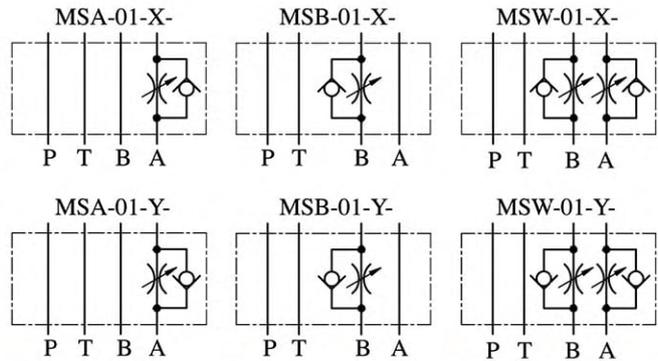


新產品

疊加式單向節流閥 Throttle and Check Modular Valves



選購指南 HOW TO ORDER

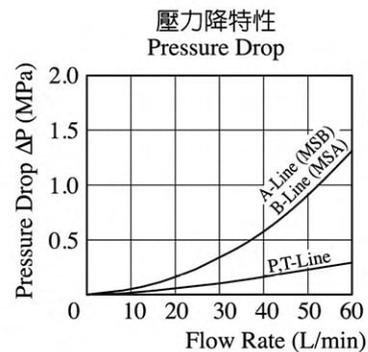
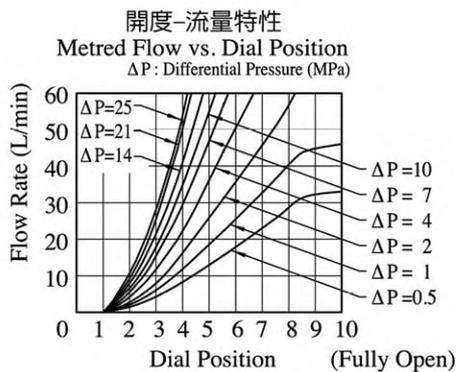
MSA	01	X	50
系列編號 SERIES NUMBER	口徑 VALVE SIZE	節流方向 THROTTLE WAY	設計號 DESIGN NUMBER
Throttle and Check Modular Valves			
MSA : For A - Line MSB : For B - Line MSW : For AB - Line	- 01 : 1/4"	- X : Meter - Out - Y : Meter - In	- 50

規格說明 SPECIFICATIONS

型式 Model Series	最高使用壓力 Max. Operated Pressure MPa (kgf/cm ²)	最大流量 Max. Flow (L/min)	重量 Weight (kg)
MSA-01-X(Y)-50	31.5 (315)	60	1.3
MSB-01-X(Y)-50			1.5
MSW-01-X(Y)-50			

性能曲線 PERFORMANCE CURVES

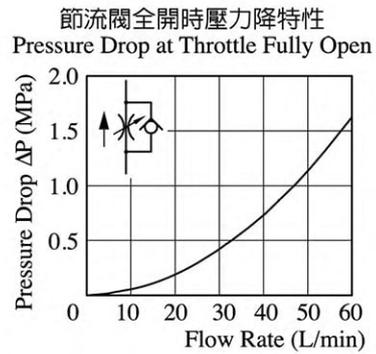
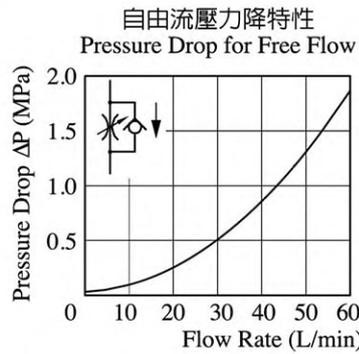
Hydraulic Fluid : Viscosity 35 cSt (35 mm²/s) , Specific Gravity 0.850



疊加式單向節流閥 Throttle and Check Modular Valves

性能曲線 PERFORMANCE CURVES

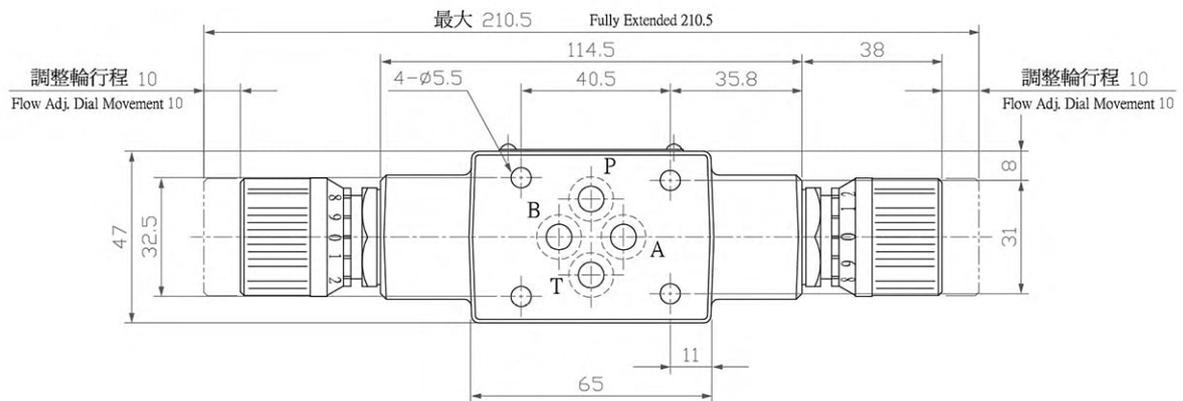
Hydraulic Fluid : Viscosity 35 cSt (35 mm²/s) , Specific Gravity 0.850



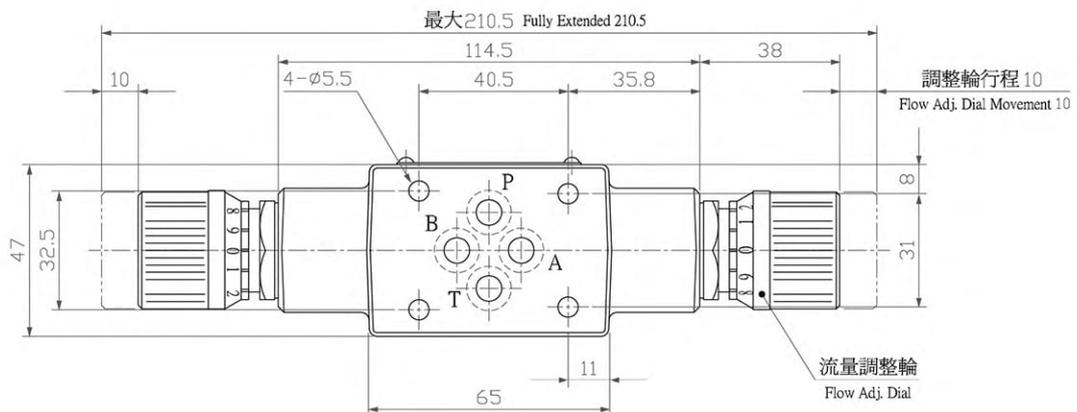
MSW-01-XY- MSW-01-YX-

安裝尺寸符合ISO4401-AB-03-4-A
Mounting Surface:ISO4401-AB-03-4-A

DIMENSIONS IN MILLIMETRES



MSW-01-X(Y)-

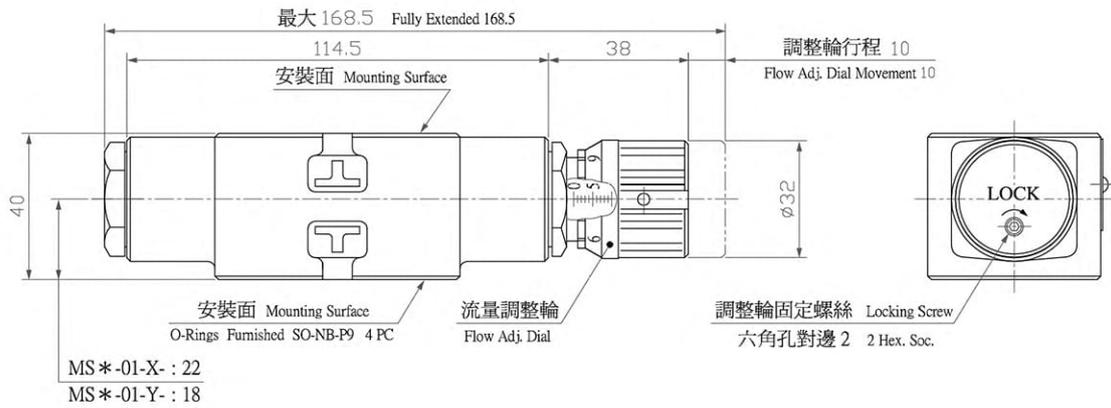


疊加式單向節流閥 Throttle and Check Modular Valves

• MSA-01-X(Y)-

安裝尺寸符合ISO4401-AB-03-4-A
Mounting Surface:ISO4401-AB-03-4-A

DIMENSIONS IN MILLIMETRES



• MSB-01-X(Y)-

