

EIKI

Model No. LC-HDT700

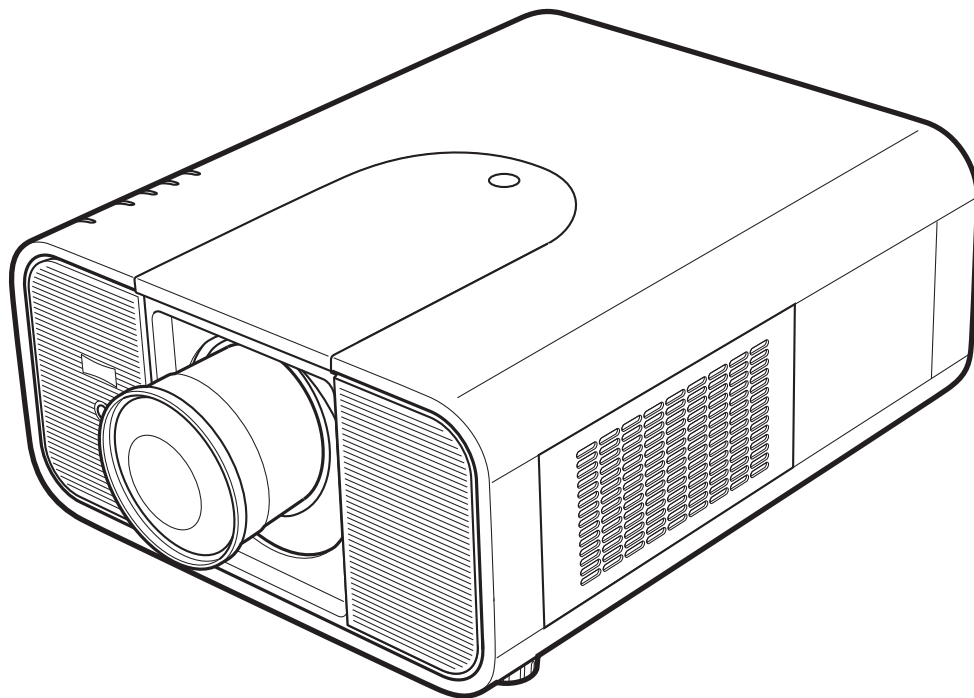
U.S.A., Canada,
Europe, H.G.

SERVICE MANUAL

Multimedia Projector

ORIGINAL VERSION

Chassis No. KY2-HDT70000



** Projection lens is optional.*

Give complete "Chassis No." for parts order or servicing, it is shown on the rating sheet on the cabinet on the projector.

FOREWORD

For your convenience, all service parts, identified in this manual are available through Eiki's normal distribution channels. In addition to service part number, the generic descriptions have been given, where possible, to allow your service technicians to substitute equivalent components which might be available from other sources.

All orders for service parts will be honored. However, in instances where generic components are considered to be available from several common sources, as would be the case with an industry standard fuse, resistor, or semiconductor, it may be more economical and expeditious to purchase the part locally.

PRODUCT CODE

1 122 571 21 (KY2BL)

1 122 572 21 (LY2BL)

1 122 572 26 (LY2GL)

REFERENCE NO. SM5111372-00


Contents

SERVICE MANUAL	1	LCD drive stage.....	74
Contents	2	Lamp control stage.....	75
Safety Instructions.....	3	Fan control stage.....	76
Safety Precautions	3	Motor control stage.....	77
Product Safety Notice.....	3	Bus control stage.....	78
Service Personnel Warning.....	3	LED drive & RC control stage.....	79
Specifications	4	Power supply & power failure circuit.....	80
Circuit Protections	5	Indicators and Projector Condition	81
Fuse.....	5	Power failure detection system	84
Thermal protector (SW905).....	5	Error information table.....	84
Mechanical sensor switches (SW1891,SW1861).....	6	Power failure detection tree.....	85
Temperature sensors, wind sensors	7	Error History Log	87
Power failure and fan lock detection	8	Diagnosis of Power Failure with RS-232C port	88
Maintenance.....	9	Diagnosis procedure	88
Replacing the filter cartridge	9	Serial Control Interface.....	89
Resetting the filter counter	10	Control Port Functions.....	91
Resetting the scroll counter.....	10	System Control I/O Port Functions (PW392, IC301) 91	
Lamp Replacement	11	I/O Expander (TE7783, IC4801)	92
Resetting the lamp counter	12	FPGA (XC3S50A, IC5201)	93
How to check lamp used time	12	IIC Bus D/A Converter (M62393FP Fan Control, IC7801)	93
Cleaning	13	IC Block Diagrams.....	94
Quick maintenance.....	14	Mechanical Parts List.....	101
Security Function Notice	15	Cabinet Parts Location	101
Mechanical Disassembly.....	16	Mechanical Parts List	108
Mechanical disassembly flow chart.....	16	Electrical Parts List.....	110
Mechanical disassembly	17	Electrical Parts Location.....	111
Optical Parts Disassembly	29	Electrical Parts List.....	112
Adjustments.....	39	Diagrams & Drawings.....	A1
Adjustments after parts replacement	39	Parts description and reading in schematic diagram ..	A2
Note on main board replacement	39	Pin description of diode, transistor and IC	A17
Optical Adjustments	40	Note on Soldering.....	A18
Contrast adjustment	40	Schematic Diagrams	A3
Electrical Adjustments.....	41	Printed Wiring Board Drawings	A13
Service Adjustment Menu Operation	41		
Memory IC (IC1387) Replacement.....	41		
Circuit Adjustments	42		
Test Points and Locations	46		
Service Adjustment Data Table	47		
Chassis Description	72		
Chassis over view.....	72		
Input & signal processing stage	73		

Safety Instructions

Safety Precautions

WARNING:

The chassis of this projector is isolated (COLD) from AC line by using the converter transformer. Primary side of the converter and lamp power supply unit circuit is connected to the AC line and it is hot, which hot circuit is identified with the line () in the schematic diagram. For continued product safety and protection of personnel injury, servicing should be made with qualified personnel.

The following precautions must be observed.

1: An isolation transformer should be connected in the power line between the projector and the AC line before any service is performed on the projector.

2: Comply with all caution and safety-related notes provided on the cabinet back, cabinet bottom, inside the cabinet or on the chassis.

3: When replacing a chassis in the cabinet, always be certain that all the protective devices are installed properly, such as, control knobs, adjust-


ment covers or shields, barriers, etc.

DO NOT OPERATE THIS PROJECTOR WITHOUT THE PROTECTIVE SHIELD IN POSITION AND PROPERLY SECURED.

4: Before replacing the cabinet cover, thoroughly inspect the inside of the cabinet to see that no stray parts or tools have been left inside.

Before returning any projector to the customer, the service personnel must be sure it is completely safe to operate without danger of electric shock.

Product Safety Notice

Product safety should be considered when a component replacement is made in any area of the projector. Components indicated by mark  in the parts list and the schematic diagram designate components in which safety can be of special significance. It is, therefore, particularly recommended that the replacement of these parts must be made by exactly the same parts.

Service Personnel Warning

Eye damage may result from directly viewing the light produced by the Lamp used in this equipment. Always turn off Lamp before opening cover. The Ultraviolet radiation eye protection required during this servicing. Never turn the power on without the lamp to avoid electric-shock or damage of the devices since the stabilizer generates high voltages (15kV - 25kV) at its starts. Since the lamp is very high temperature during units operation replacement of the lamp should be done at least 45 minutes after the power has been turned off, to allow the lamp cool-off.

Specifications

Mechanical Information

Projector Type	Multi-media Projector
Dimensions (W x H x D)	14.56" x 7.36" x 17.32" (370.0 mm x 187.0 mm x 439.9 mm)
Net Weight	25.6 lbs (11.6 kg)
Feet Adjustment	0° to 6.5°

Panel Resolution

LCD Panel System	1.2" TFT Active Matrix type, 3 panels
Panel Resolution	1,920 x 1080 dots
Number of Pixels	6,220,800 (1,920 x 1080 x 3 panels)

Signal Compatibility

Color System	PAL, SECAM, NTSC, NTSC4.43, PAL-M, and PAL-N
High Definition TV Signal	480i, 480p, 575i, 575p, 720p, 1035i, 1080i and 1080p
Scanning Frequency	H-sync. 15 kHz–120 kHz, V-sync. 48 Hz–100 Hz

Optical Information

Projection Lamp	380 W lamp
-----------------	------------

Interface

Input 1	DVI [RGB(PC digital), RGB(AV HDCP)] / HDMI (1.3 with Deepcolor) / Mini D-sub 15pin [RGB, RGB (Scart)]
Input 2	BNC Type x 5 (G or Video/Y, B or Cb-Pb, R or Cr-Pr, H/HV and V)
Input 3	RCA Type x 3 (Video/Y, Pb/Cb, Pr/Cr), Mini DIN 4 pin x 1 (S-video)
Monitor Out	Analog RGB (Mini D-sub 15 pin) Terminal x 1
R/C Jack	Mini jack (Wired Remote) x 1
Control Port	D-sub 9 pin x 1
USB Connector	USB Series B x 1
Option	Network box Terminal x 1
LAN Connection Terminal	RJ-45

Power

Voltage and Power Consumption	AC 100–120 V (5.9A Max.), 50/60 Hz (The U.S.A and Canada) AC 100–240 V (5.9A-2.4A Max.), 50/60 Hz (For other countries)
-------------------------------	--

Operating Environment

Operating Temperature	41°F–104°F (5°C–40°C)
Storage Temperature	14°F–140°F (-10°C–60°C)

Remote Control

Battery	AAA or LR03 Type x 2
Operating Range	16.4' (5 m/±30°)
Dimensions	1.9" (W) x 1.1" (H) x 5.7" (D) (48 mm x 27 mm x 145 mm)
Net Weight	3.6 oz (102 g) (including batteries)

Accessories

Owner's Manual (CD-ROM)	Lens Attachment (For option lens)
Quick Reference Guide	Light-block sheet (For option lens)
AC Power Cord	Spacer (For option lens)
Remote Control and Batteries	VGA Cable
PIN Code Label	

- The specifications are subject to change without notice.
- LCD panels are manufactured to the highest possible standards. Even though 99.99% of the pixels are effective, a tiny fraction of the pixels (0.01% or less) may be ineffective by the characteristics of the LCD panels.



This symbol on the nameplate means the product is Listed by Underwriters Laboratories Inc. It is designed and manufactured to meet rigid U.L. safety standards against risk of fire, casualty and electrical hazards.

Circuit Protections

This projector provides the following circuit protections to operate in safety. If the abnormality occurs inside the projector, it will automatically turn off by operating one of the following protection circuits.

Fuse

A fuse is located inside of the projector. When the POWER indicator is not lighting, the fuse may be opened. Check the fuse as following steps.

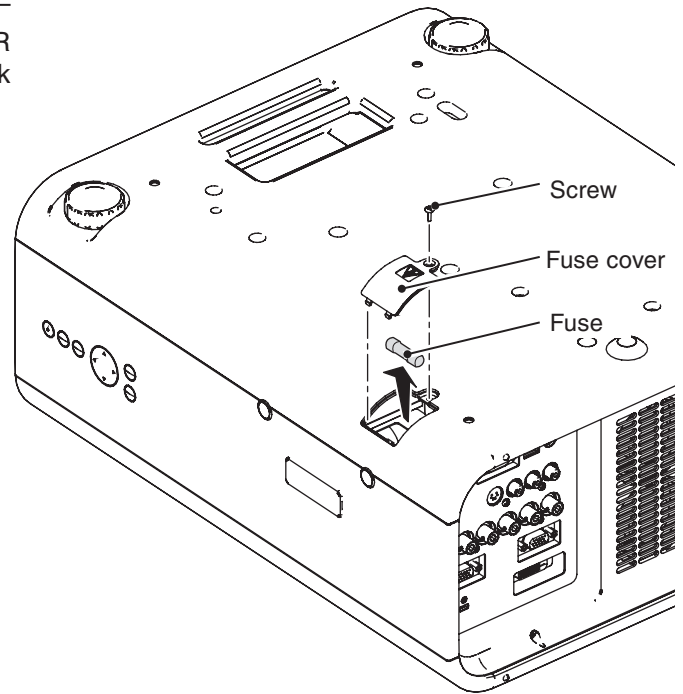
The fuse should be used with the following type;

Fuse Part No. : 323 027 2605
TYPE T10AH 250V
LITTEL FUSE INC. TYPE 215010

How to replace the fuse

1. Turn the projector up and down.
2. Remove 1 screw and take the fuse cover off.
3. Remove the fuse from fuse holder on the power board.

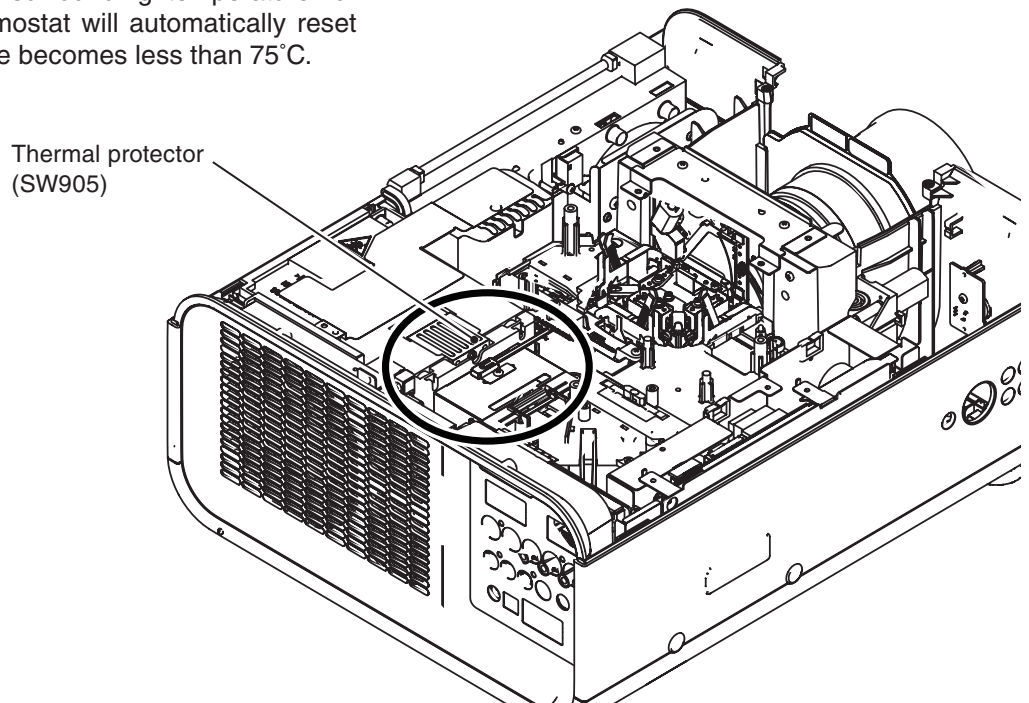
To install the fuse, take reversed step in the above.



Thermal protector (SW905)

There is the thermal protector (SW905) inside of the projector to detect the internal temperature rising abnormally. When the internal temperature reaches near 115°C, the thermal protector cuts off the current supplied to the power supply circuit.

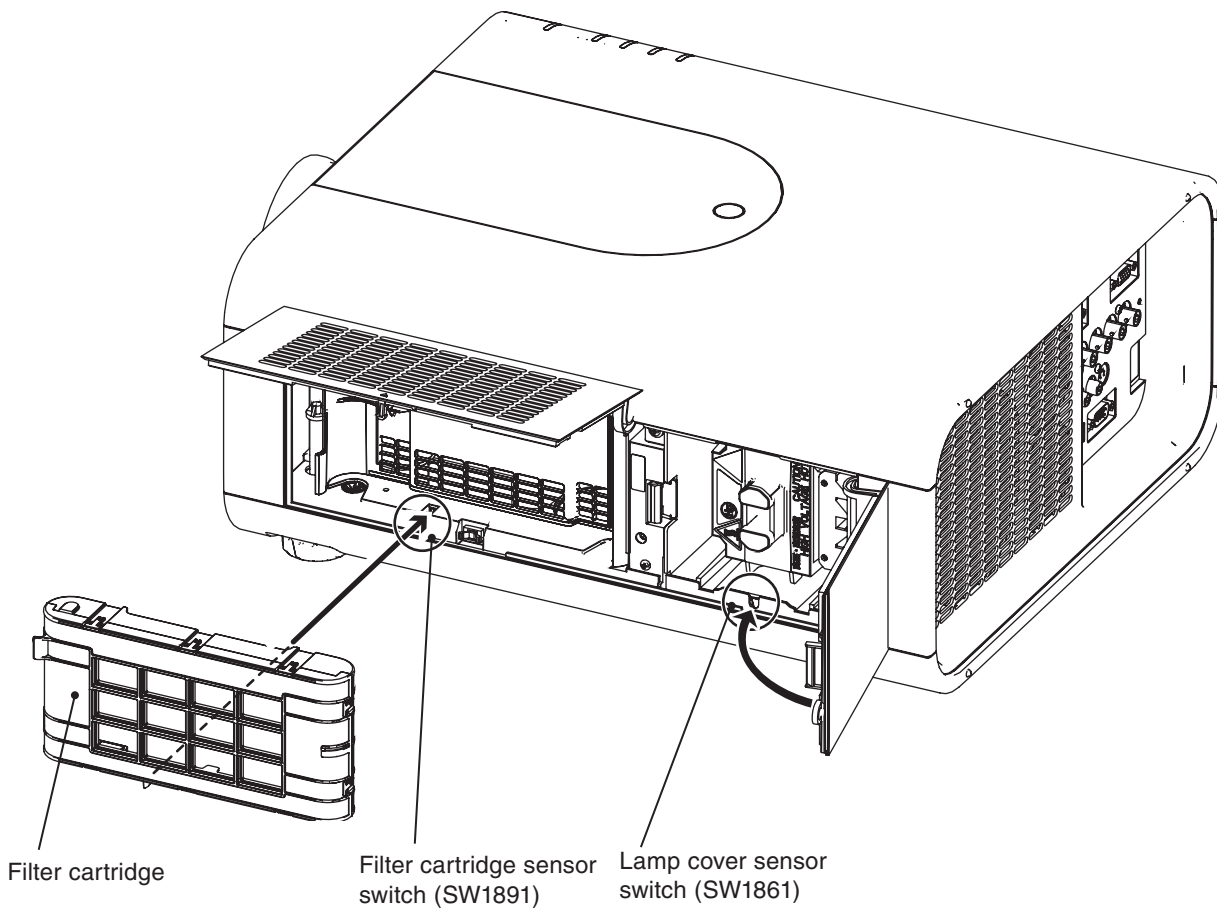
To reset the thermostat, disconnect the AC cord and leave the projector at the normal surrounding temperature for about 45 minutes. The thermostat will automatically reset when the internal temperature becomes less than 75°C.



Mechanical sensor switches (SW1891,SW1861)

This projector provides 2 mechanical sensor switches, the one is for filter cartridge sensor switch (SW1891) and the other one is for lamp cover sensor switch (SW1861). The filter cartridge sensor switch detects whether the filter cartridge is installed correctly. If the filter cartridge is not installed correctly, the projector cannot turn on.

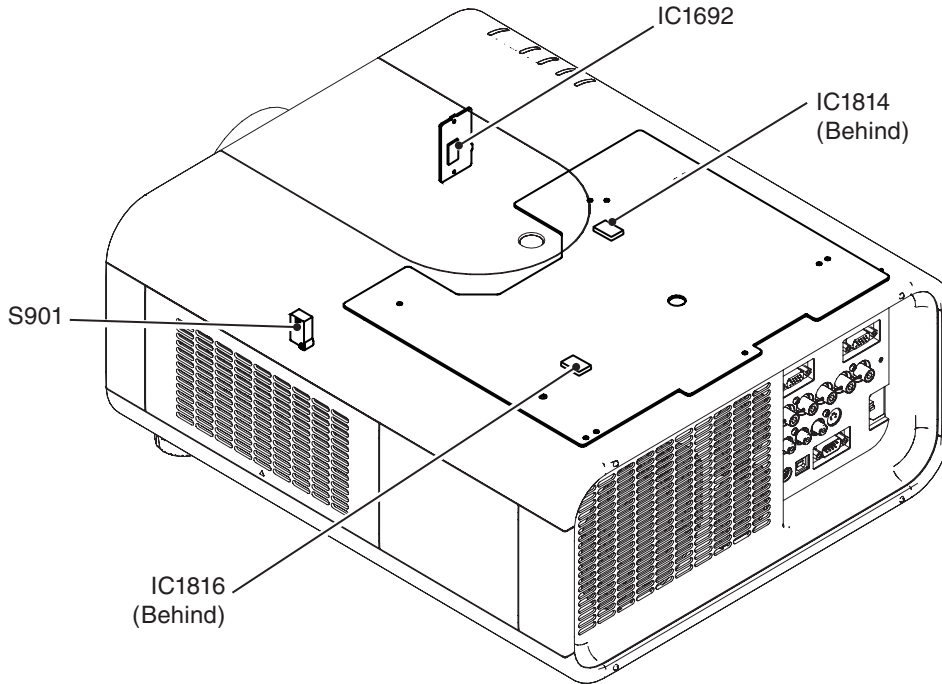
The lamp cover sensor switch detects whether the lamp cover is closed securely. If lamp cover is opened or not closed completely, the drive signal to the lamp circuit is cut off. After opening the lamp cover for replacing the lamp ass'y, place the lamp cover correctly otherwise the projector cannot turn on.



Temperature sensors, wind sensors

The projector provides 3 temperature sensor ICs, 2 sensors on the Main board and 1 sensor on the RC front board, and 1 wind sensor on the intake duct. The sensor ICs monitor surrounding temperature of the lamp house and panels/prism, and room temperature, and the wind sensor monitors airflow passed through the air filter in the intake duct.

- Internal temperature sensor B (IC1816) (around the lamp house)
- Internal temperature sensor C (IC1814) (around the panels/prism)
- Room temperature sensor A (IC1692) (around the front cabinet)
- Wind sensor D (S901) (intake duct)



The projector is shut down and the WARNING TEMP. indicator is blinking red.

When the temperature inside the projector reaches a certain level, the WARNING TEMP. indicator starts blinking. If the temperature rises moreover, the projector will be automatically shut down to protect the inside of the projector, and the WARNING TEMP. indicator is blinking fast and the POWER indicator turns off. When the projector has cooled down enough (to its normal operating temperature), the POWER indicator turns on and the projector can be turned on again by pressing the ON/STAND-BY button.

✓Note:

- The WARNING TEMP. indicator continues to blink even after the temperature inside the projector returns to normal. When the projector is turned on again, the WARNING TEMP. indicator stops blinking.

Check the items below

- Remove dust around the air filter.
- Ventilation slots of the projector are blocked. In such an event, reposition the projector so that ventilation slots are not obstructed.
- Check if projector is used at higher temperature place (Normal; operating temperature is 5 to 40 °C or 41 to 104 °F).

LED indicators

POWER

LAMP / SHUTTER

LAMP REPLACE

WARNING FILTER

WARNING TEMP.

←
WARNING TEMP.
blinking red

Power failure and fan lock detection

The projector provides the detection circuits of the power failure and the fan lock. When the detection circuit detects an error at the power supply line or at the fan operation circuit, the projector will turn into the standby mode to protect the other circuits defective.

The projector is shut down; and the LAMP/SHUTTER indicator is lighting and other indicators are blinking.

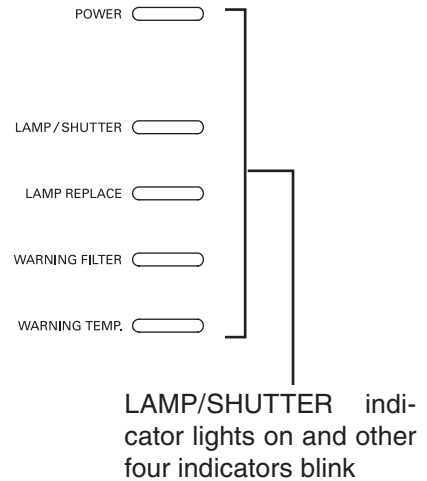
When the projector detects an abnormal condition (Power supply lines failure or fans failure), it will be automatically shut down to protect the inside of the projector and the LAMP/SHUTTER indicator lights on and other indicators blink. In this case, unplug the AC power cord and plug it, and then turn on the projector once again to verify operation. If the projector cannot be turned on and these indicators are still lighting and blinking, unplug the AC power cord. See the troubleshooting chapter.



CAUTION

DO NOT LEAVE THE PROJECTOR WITH THE AC POWER CORD CONNECTED UNDER AN ABNORMAL CONDITION. IT MAY RESULT IN FIRE OR ELECTRIC SHOCK.

LED indicators



Maintenance

Replacing the filter cartridge

Filter prevents dust from accumulating on the optical elements inside the projector. Should the filter becomes clogged with dust particles, it will reduce cooling fans' effectiveness and may result in internal heat buildup and adversely affect the life of the projector. This projector has an electrically operated filter which helps you to replace the filter easily. The projector monitors the condition of the filter at all time and replaces a filter with a new one automatically when it detects the clogging.

If the projector detects that the filter is clogged and no scroll is left in the filter cartridge, a Filter cartridge replacement icon appears on the screen and the WARNING FILTER indicator on the top panel lights up. When you see this icon, replace the filter cartridge and reset the Filter counter and the Scroll counter.

- 1** Turn off the projector, and unplug the AC power cord from the AC outlet.
- 2** First, clean up the dust on the projector and around the air vents.
- 3** Press ▼ on the filter cover to release the latch and open the filter cover.
- 4** Pull out the filter cartridge. When taking out the filter cartridge, put your finger on the filter cartridge's tab and then pull.
- 5** Put the new one back into the position and close the filter cover. Make sure that the filter cartridge is properly and fully inserted.
- 6** Connect the AC power cord to the projector and turn on the projector.
- 7** **Reset the filter counter and the scroll counter.**



CAUTION

Do not operate the projector with the filter removed. Dust may accumulate on the optical elements degrading the picture quality. Do not put anything into the air vents. Doing so may result in malfunction of the projector.

RECOMMENDATION

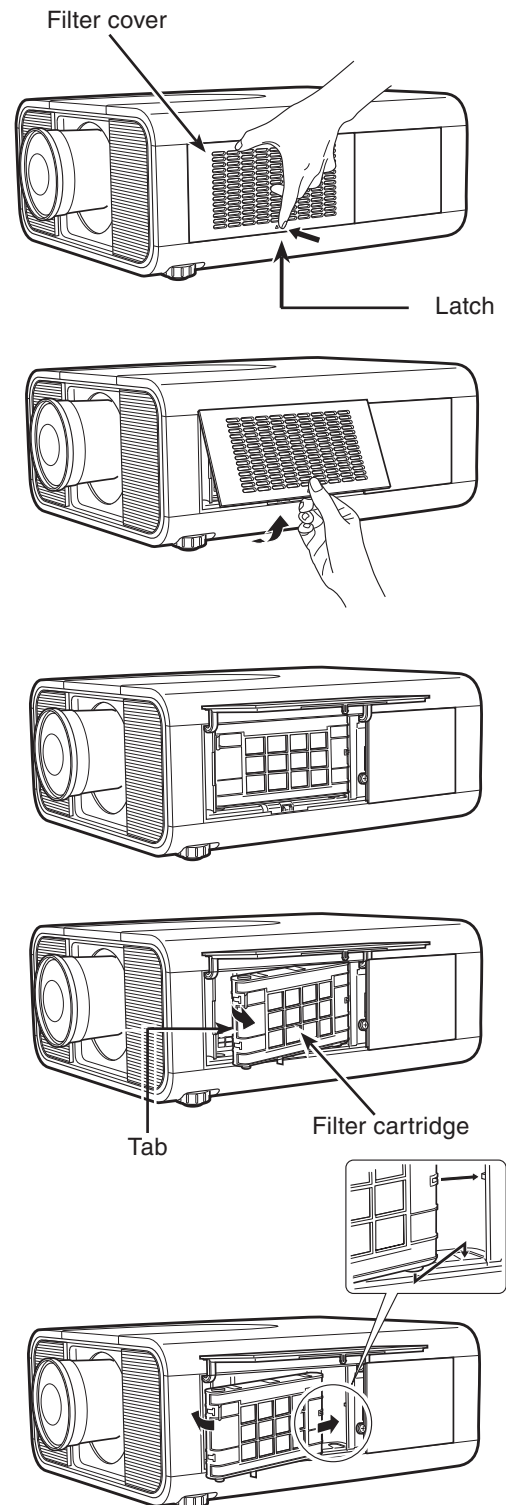
We recommend avoiding dusty/smoky environments when operating the projector. Usage in these environments may cause a poor image quality.

When using the projector under dusty or smoky conditions, dust may accumulate on a lens, liquid crystal panels, or optical elements inside the projector. Such condition may degrade the quality of the projected image.

When the symptoms above are noticed, contact your authorized dealer or service station for proper cleaning.

ORDER REPLACEMENT FILTER CARTRIDGE

Service Parts No.: 610 342 9571

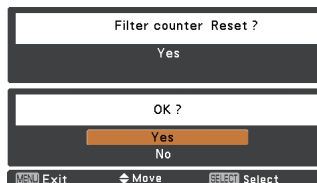
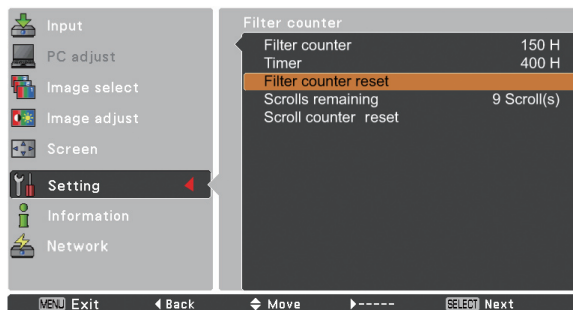


Resetting the filter counter

Be sure to reset the filter counter after replacing the filter and the filter cartridge.

- 1 Press the MENU button to display the on-screen menu. Use the point ▲▼ buttons to select **Setting** and then press the point ► button or the SELECT button.
- 2 Use the point ▲▼ buttons to select the **Filter counter** and then press the SELECT button. Use the Point ▲▼ buttons to select the **Filter counter reset** and then press the SELECT button. **Filter counter Reset?** appears. Select **Yes** to continue.
- 3 Another confirmation dialog box appears, select **Yes** to reset the filter counter.

Filter counter



Filter counter Reset? appears.

Select [Yes], then another confirmation box appears.

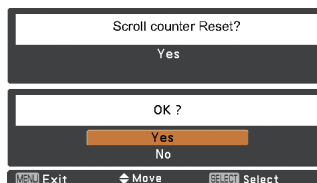
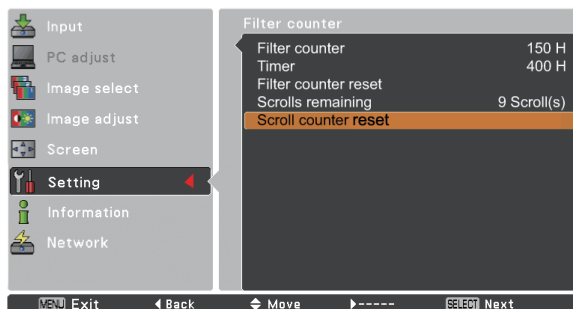
Select [Yes] again to reset the Filter counter.

Resetting the scroll counter

Be sure to reset the scroll counter after replacing the filter cartridge.

- 1 Press the MENU button to display the on-screen menu. Use the point ▲▼ buttons to select **Setting** and then press the point ► button or the SELECT button.
- 2 Use the point ▲▼ buttons to select the **Scroll counter** and then press the SELECT button. Use the Point ▲▼ buttons to select the **Scroll counter reset** and then press the SELECT button. **Scroll counter Reset?** appears. Select **Yes** to continue.
- 3 Another confirmation dialog box appears, select **Yes** to reset the scroll counter.

Scroll counter



Scroll counter Reset? appears.

Select [Yes], then another confirmation box appears.

Select [Yes] again to reset the Scroll counter.

Lamp Replacement

When the projection lamp of the projector reaches its end of life, the lamp replacement icon appears on the screen and LAMP REPLACE indicator lights orange. Replace the lamp with a new one promptly. The timing when the LAMP REPLACE indicator should light is depending on the lamp mode.

Top Panel

LAMP / SHUTTER

LAMP REPLACE

WARNING FILTER

WARNING TEMP.



Lamp replacement icon

LAMP REPLACE indicator

Follow these steps to replace the lamp.

- 1** Turn off the projector and unplug the AC power cord. Let the projector to cool for at least 45 minutes.
- 2** Open the filter cover.
- 3** Loosen the screw and open the lamp cover and pull out the lamp by using the built in handle.
- 4** Replace the lamp with a new one. Make sure that the lamp is properly and fully inserted.
- 5** Close the lamp cover and secure the screw, and close the filter cover.
- 6** Connect the AC power cord to the projector and turn on the projector.
- 7** **Reset the lamp replacement counter**

Note:

- Be sure to insert the lamp in the correct direction.
- Do not reset the Lamp replacement counter when the projection lamp is not replaced.



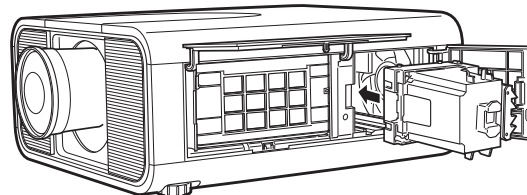
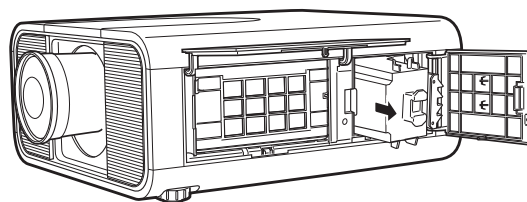
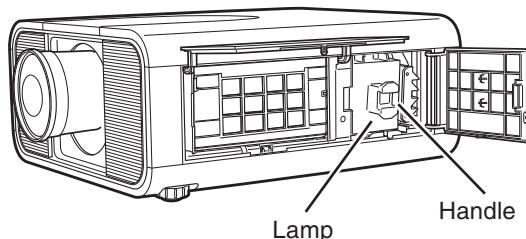
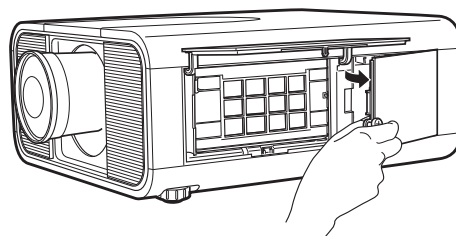
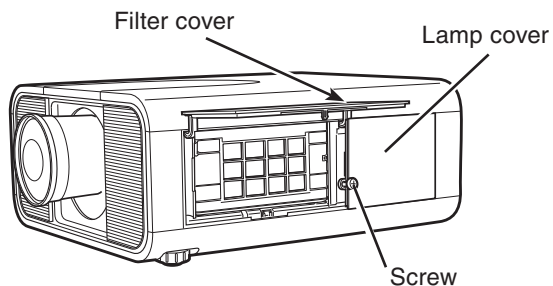
CAUTION

Allow a projector to cool for at least 45 minutes before you open the lamp cover. The inside of the projector can become very hot.



CAUTION

For continued safety, replace with a lamp of the same type. Do not drop the lamp or touch the glass bulb! The glass can shatter and may cause injury.



ORDER REPLACEMENT LAMP

Type No.	POA-LMP149
Service Parts No.	610 357 0464

Resetting the lamp counter

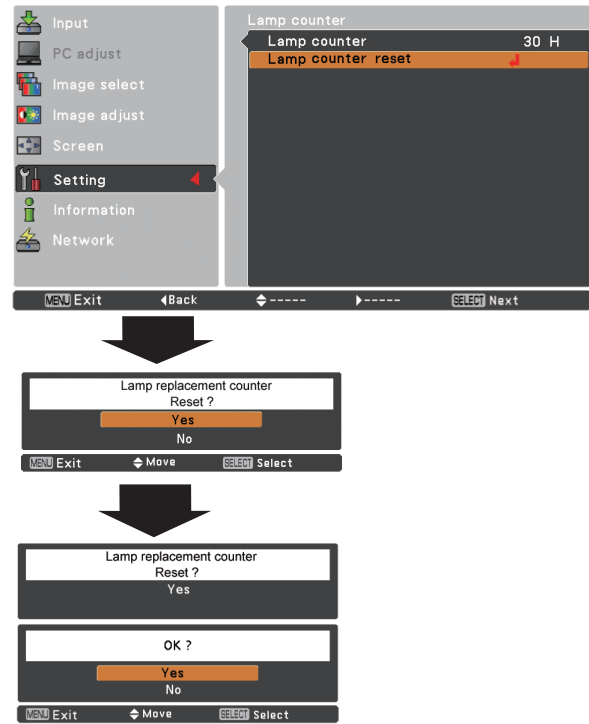
Be sure to reset the lamp counter after the lamp is replaced. When the lamp counter is reset, the LAMP REPLACE indicator stops lighting and the lamp replacement icon disappears.

- 1 Press the MENU button to display the on-screen menu. Use the point ▲▼ buttons to select **Setting** and then press the point ► button or the SELECT button.
- 2 Use the point ▲▼ buttons to select the **Lamp counter** and then press the SELECT button. Use the Point ▲▼ buttons to select the **Lamp counter reset** and then press the SELECT button. **Lamp replacement counter Reset?** appears. Select **Yes** to continue.
- 3 Another confirmation dialog box appears, select **Yes** to reset the lamp counter.

Note:

- Do not reset the lamp counter without replacing the lamp. Be sure to reset the lamp replacement counter only after replacing the lamp.

Lamp counter



How to check lamp used time

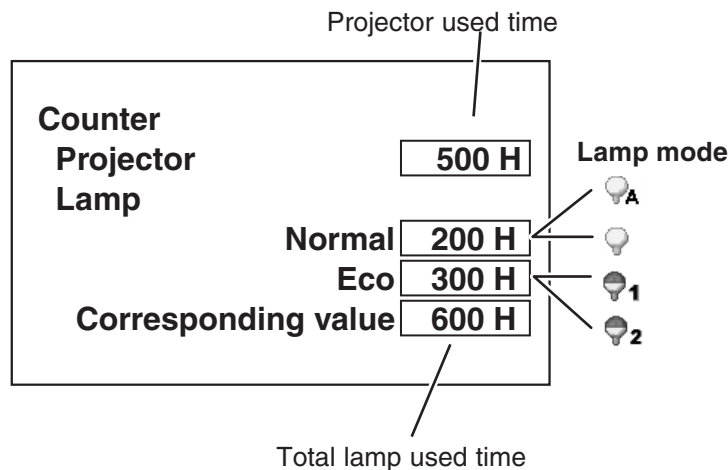
The LAMP REPLACE indicator will light yellow when the total lamp used time (Corresponding value) reaches 3,000 hours. This is to indicate that lamp replacement is required.

The total lamp used time is calculated by using the below expression,
 Total lamp used time (Corresponding value) = $T_{eco} + (T_{normal} \times 1.5)$

T_{eco} : used time in the Eco1 and Eco2 mode
 T_{normal} : used time in the normal mode and auto mode

You can check the lamp used time following to the below procedure.

- 1 Press and hold the **ON/STAND-BY** button on the projector or the **ON** button on the remote control for more than 20 seconds.
- 2 The projector used time and lamp used time will be displayed on the screen briefly as follows.



Cleaning

After long periods of use, dust and other particles will accumulate on the LCD panel, prism, mirror, polarized glass, lens, etc., causing the picture to darken or color to blur. If this occurs, clean the inside of optical unit.

Remove dust and other particles using air spray. If dirt cannot be removed by air spray, disassemble and clean the optical unit.

Cleaning with air spray

1. Remove the cabinet top following to “Mechanical Disassembly”.
2. Clean up the LCD panel and polarizing plate by using the air spray from the cabinet top opening.

Caution:

Use a commercial (inert gas) air spray designed for cleaning camera and computer equipment. Use a resin-based nozzle only. Be very careful not to damage optical parts with the nozzle tip. Never use any kind of cleanser on the unit. Also, never use abrasive materials on the unit as this may cause irreparable damage.

Disassembly Cleaning

Disassembly cleaning method should only be performed when the unit is considerably dirty and cannot be sufficiently cleaned by air spraying alone.

Be sure to readjust the optical system after performing disassembly cleaning.

1. Remove the cabinet top and main units following to “Mechanical Disassembly”.
2. Remove the optical base top following to “Optical Unit Disassembly”. If the LCD panel needs cleaning, remove the LCD panel unit following to “LCD panel replacement”.
3. Clean the optical parts with a soft cloth. Clean extremely dirty areas using a cloth moistened with alcohol.

Caution:

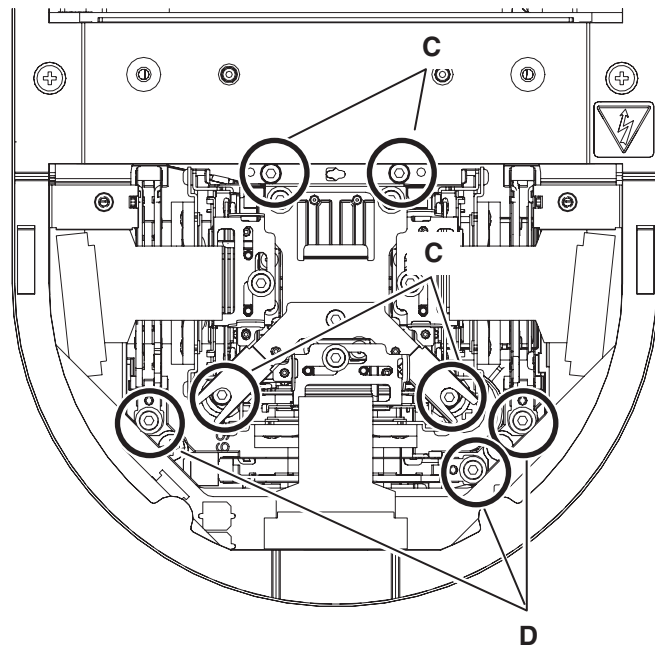
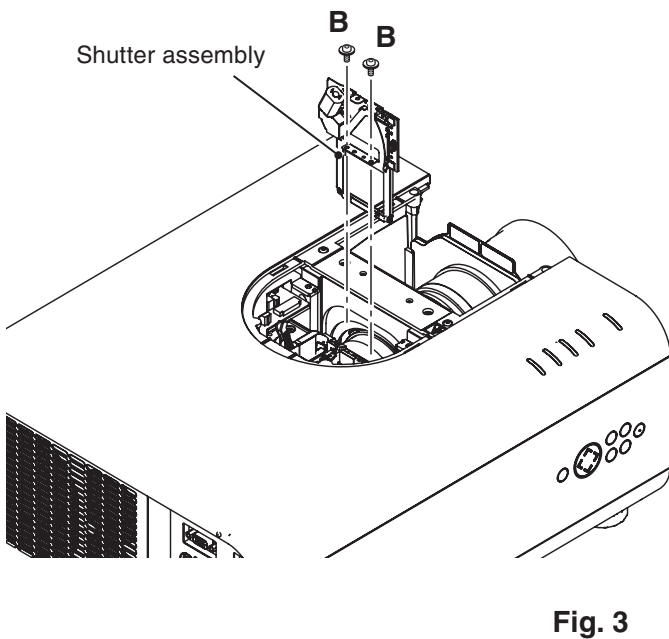
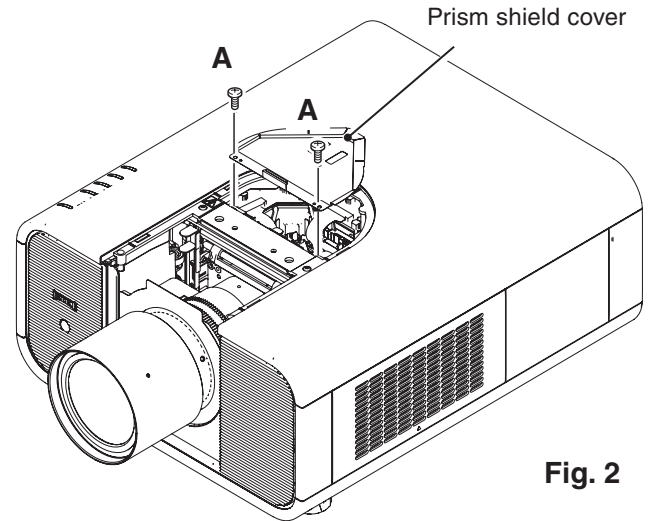
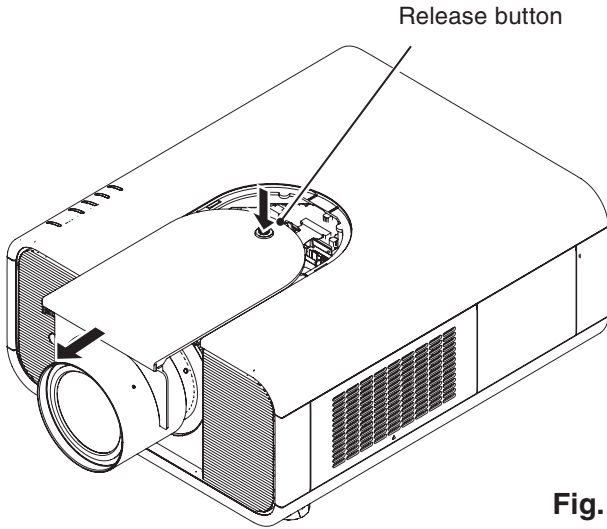
The surface of the optical components consists of multiple dielectric layers with varying degrees of refraction. Never use organic solvents (thinner, etc.) or any kind of cleanser on these components.

Since the LCD panel is equipped with an electronic circuit, never use any liquids (water, etc.) to clean the unit. Use of liquid may cause the unit to malfunction.

Quick maintenance

This projector provides a cabinet front cover on the cabinet top to enhance the service maintenance. This enables service personnel to align the optical adjustment or replace the optical parts without disassembly the cabinet top.

1. Press and hold the release button on the cabinet front cover and slide the cover frontward to take it off (Fig. 1).
 2. Remove 2 screws A on the prism shield cover and take prism shield cover off (Fig. 2).
 3. Remove 2 screws B and take the shutter assembly off (Fig. 3).
 4. Loosen 4 screws C and take the LCD Panel/Prism assy upward off.
 5. Remove 1 screw D on each stopper of the polarized glass assy and take the optical filter assy upward off.
- See chapter "Optical Parts Disassembly" for further information of optical parts disassembly.



Security Function Notice

This projector provides security functions such as "Key lock", "PIN code lock" and "Logo PIN code lock". When the projector has set these security function on, you are required to enter correct PIN code to use the projector. If you do not know the correct PIN code to the projector, the projector can no longer be operated or started. In this case, you must reset those function first according to the resetting procedure described below and then check up on the projector.

Function	Description
Key lock	Locks operation of the side control or the remote control. If the Key lock is enabled with side control lock, the projector can no longer be started. <i>Initial setting: Key lock function is disabled</i>
PIN code lock	Prevents the projector from being operated by an unauthorized person. <i>Initial code: "1234"</i>
Logo PIN code lock	Prevents an unauthorized person for changing the start-up logo on the screen. <i>Initial code: "4321"</i>

Resetting procedure

- 1 Disconnect the AC power cord from the AC outlet.
- 2 As pressing the **SELECT** button, connect the AC power cord into an AC outlet again.
- 3 Keep pressing the **SELECT** button and then press the **ON/STAND-BY** button for more than 5 seconds.
- 4 Release the **ON/STAND-BY** button first and then release the **SELECT** button.
 - The PIN code lock and Logo PIN code lock will be reset as the initial PIN code at the factory and the Key lock function is disabled.

Please refer to the owner's manual for further information of the security functions.

Mechanical Disassembly


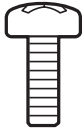
Mechanical disassembly flow chart

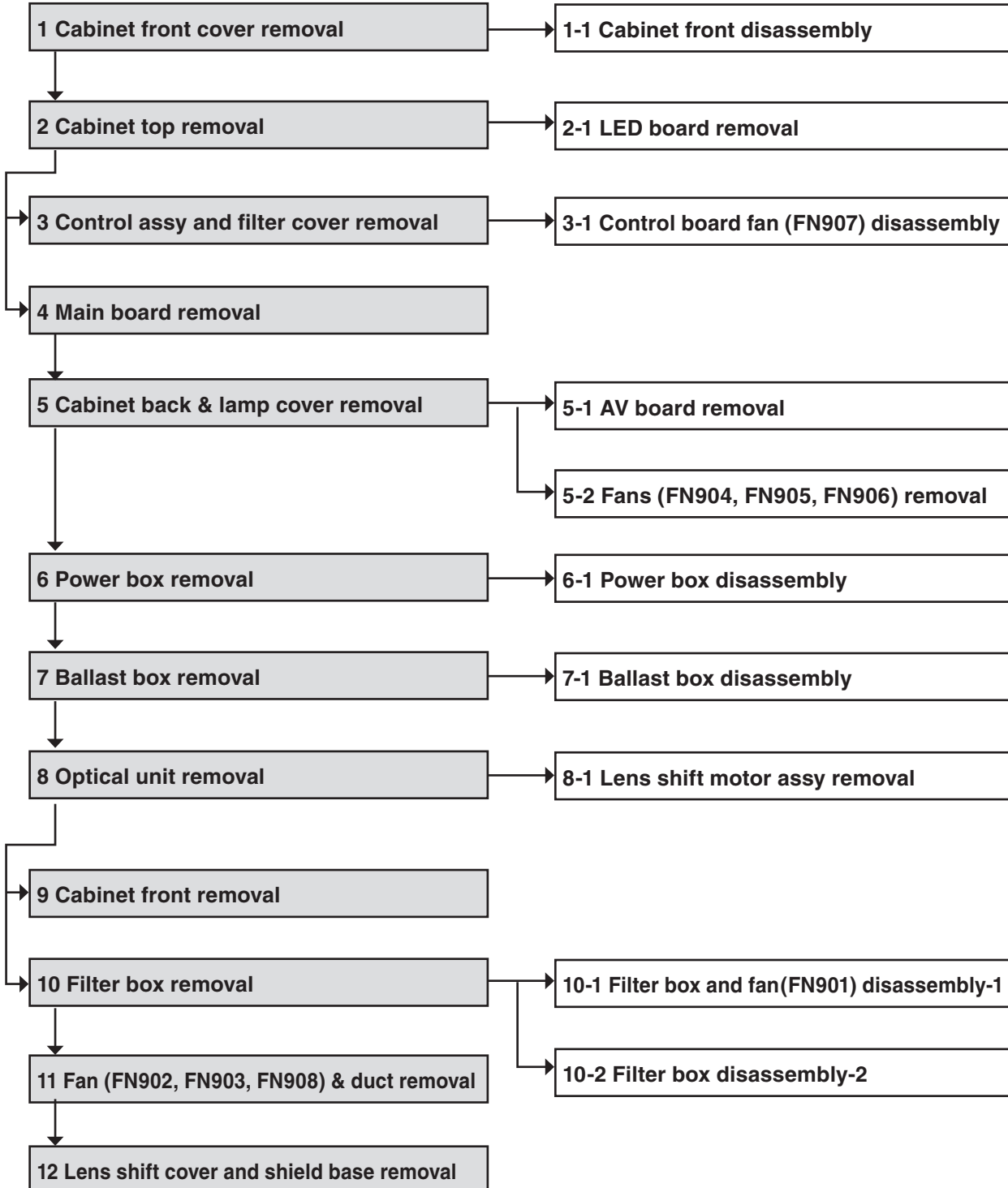
Mechanical disassembly should be made by following procedures chart. Following steps show the basic procedures, therefore unnecessary step may be ignored.

Caution:

The parts and screws should be placed exactly the same position as the original otherwise it may cause loss of performance and product safety.

The wiring method of the leads and ferrite cores should be returned exactly the same state as the original, otherwise it may cause loss of performance and product safety.

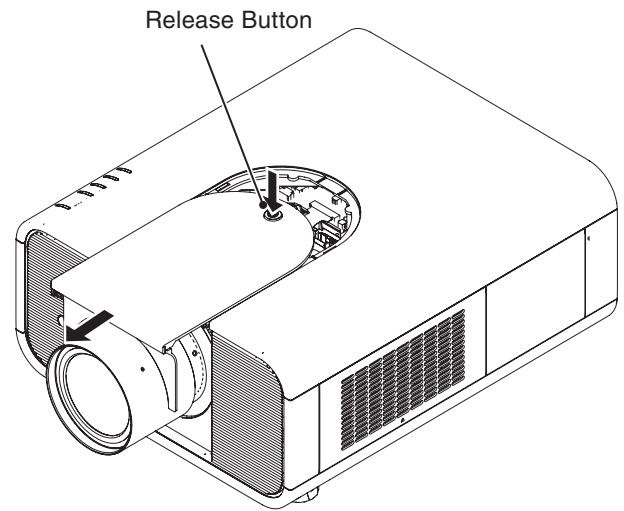
Screws Expression (Type Diameter x Length) mm	
T type	M Type
	



Mechanical disassembly

1 Cabinet front cover removal

- 1 Press the release button and slide the lamp cover to the arrow direction and remove it.



1-1 Cabinet front cover disassembly

- 1 Remove 2 screws A (T3x8) and take the release button, button holder and spring off.

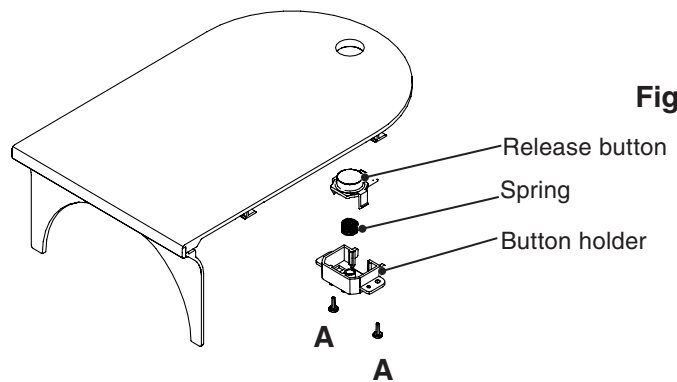
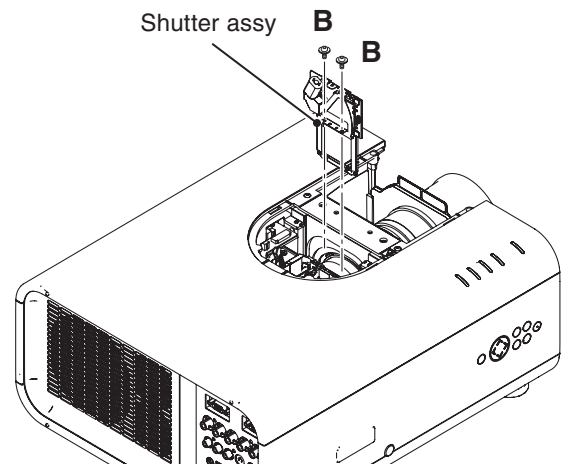
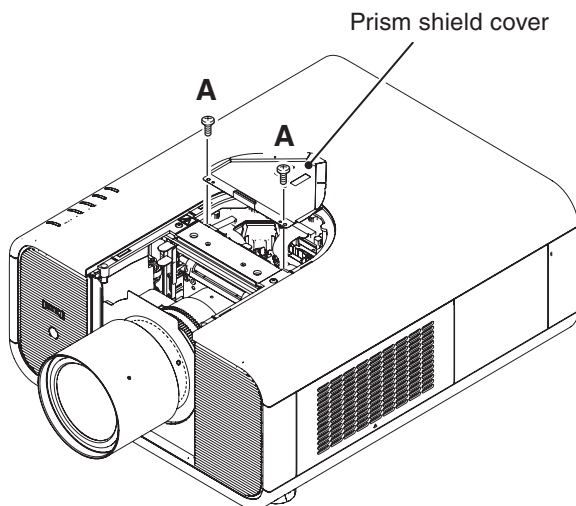


Fig. 1-1

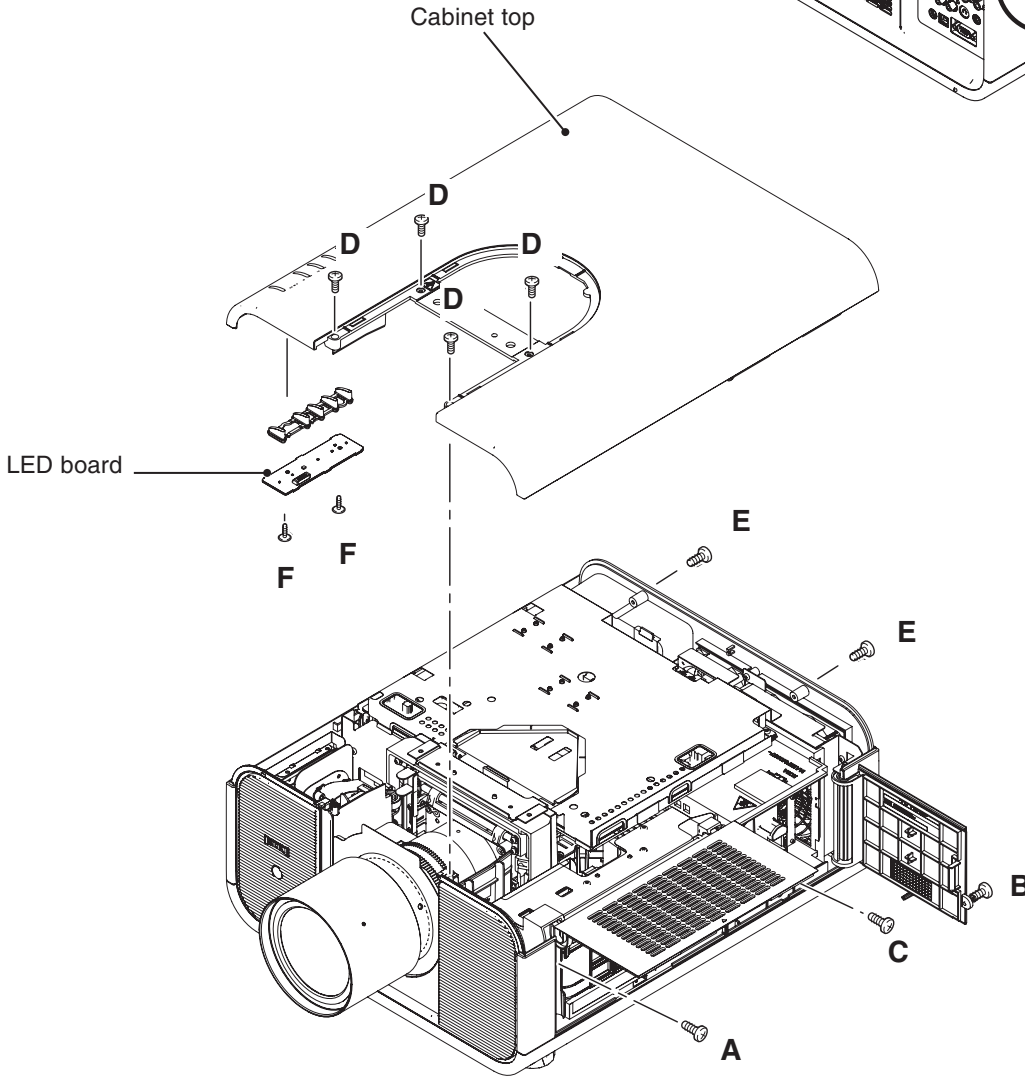
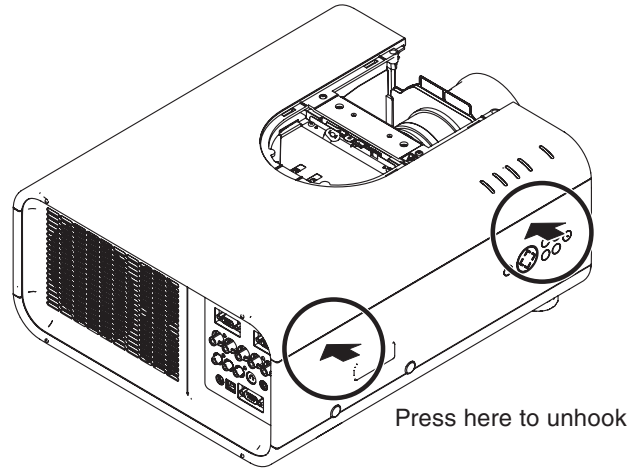
Shutter assy disassembly

- 1 Remove 2 screws A (M3x6) and take the prism shield cover off.
- 2 Remove 2 screws B (M2.5x5) and take the shutter assembly off.



2 Cabinet top removal

- 1 Open the filter cover and remove 1 screw A (M3x8).
- 2 Remove 1 screw B (M3x8) and open the lamp cover and remove 1 screw C (M3x8).
- 3 Remove 4 screws D (M3x8) on the cabinet top and 2 screws E (M3x8) on the cabinet back.
- 4 Release the hooks by pressing the side part of cabinet bottom indicated with the arrows and take the cabinet top off.



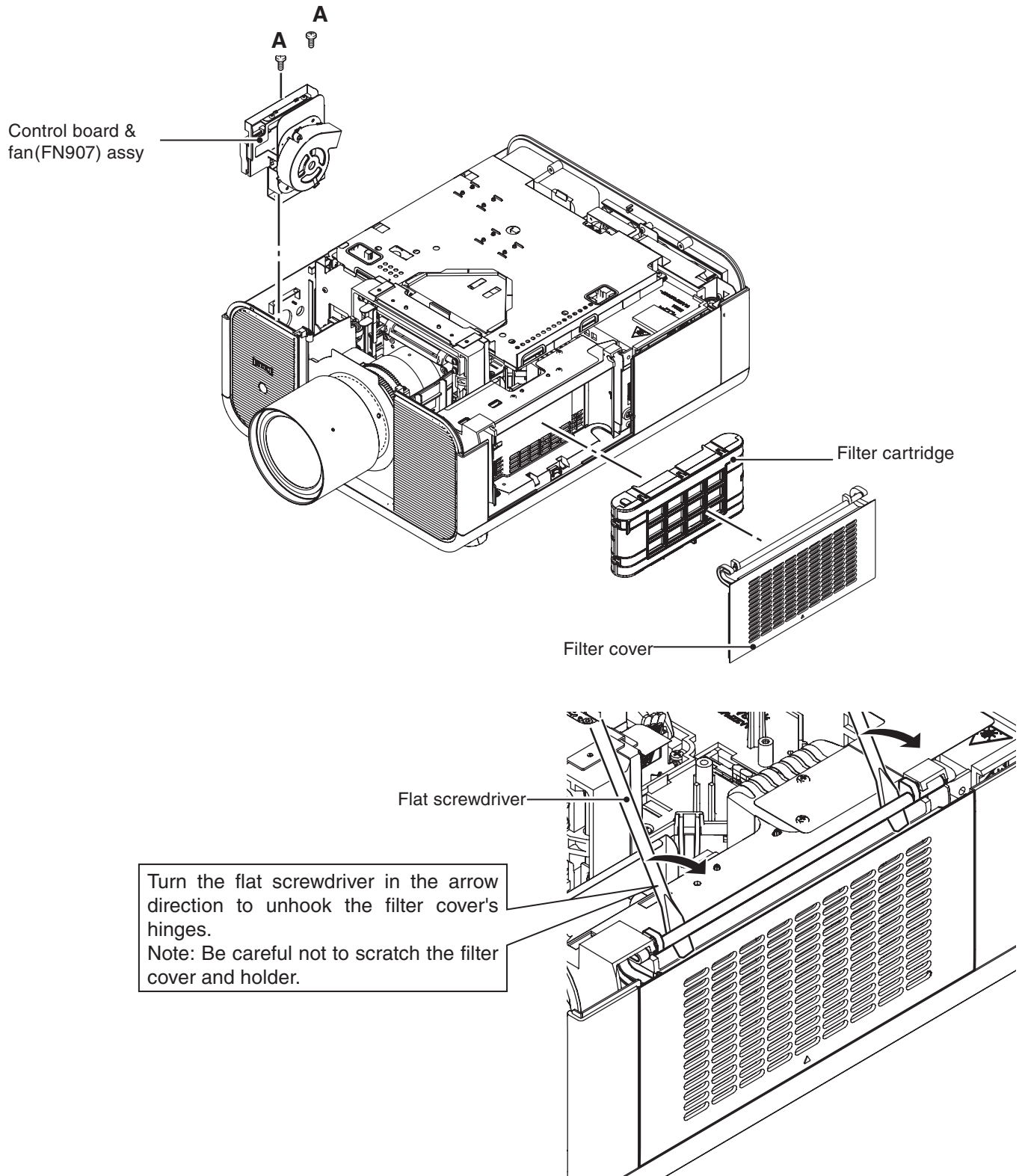
2-1 LED board removal

- 1 Remove 2 screws F (T3x8) and take the LED board and LED holder off.

Fig. 1-2

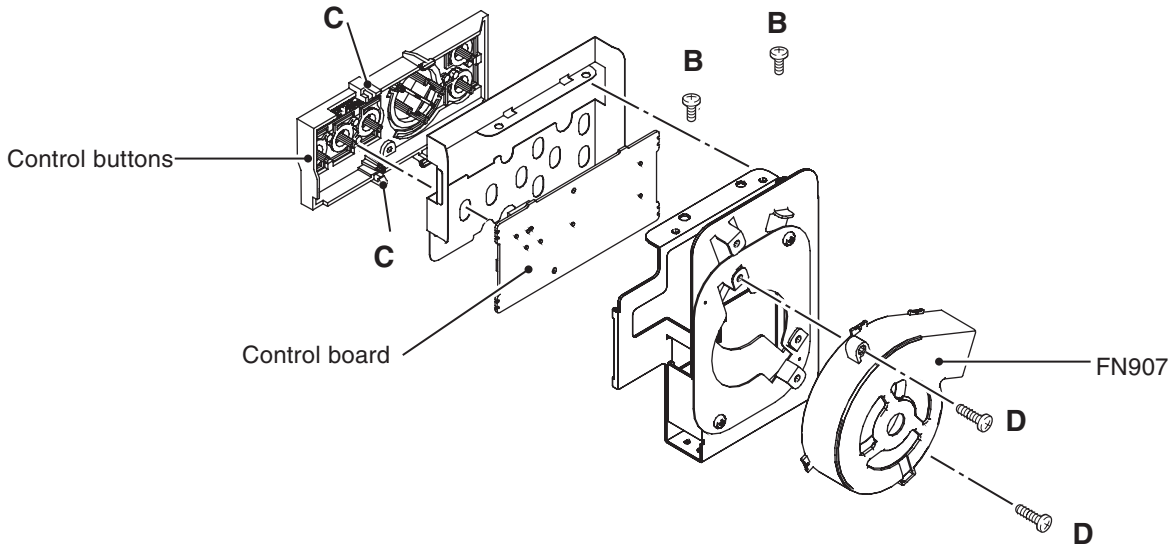
3 Control board assy and cover removal

- 1 Remove 2 screws A (T3x8) and take the control board & fan assy upward off.
- 2 Open the filter cover and take the filter cartridge off.
- 3 Remove the filter cover off by using a flat screw driver as shown in the figure.



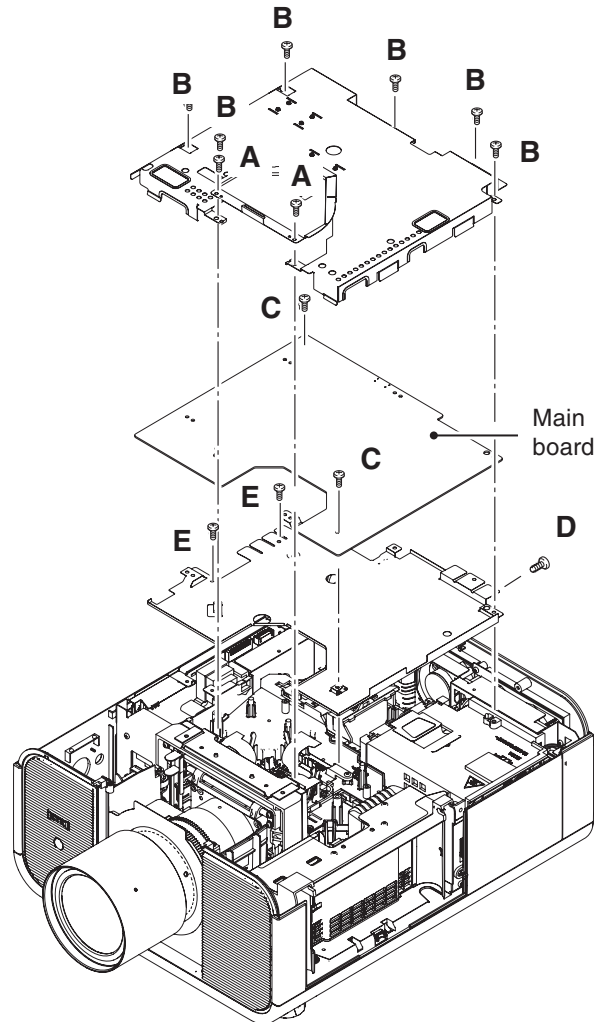
3-1 Control board and fan (FN907) disassembly

- 1 Remove 2 screws B (M3x6) and take the control board/button holder off
- 2 Unhook 2 hooks C on the button holder and take the control board off.
- 3 Remove 2 screws D (M3x10) and take fan (FN907) off.



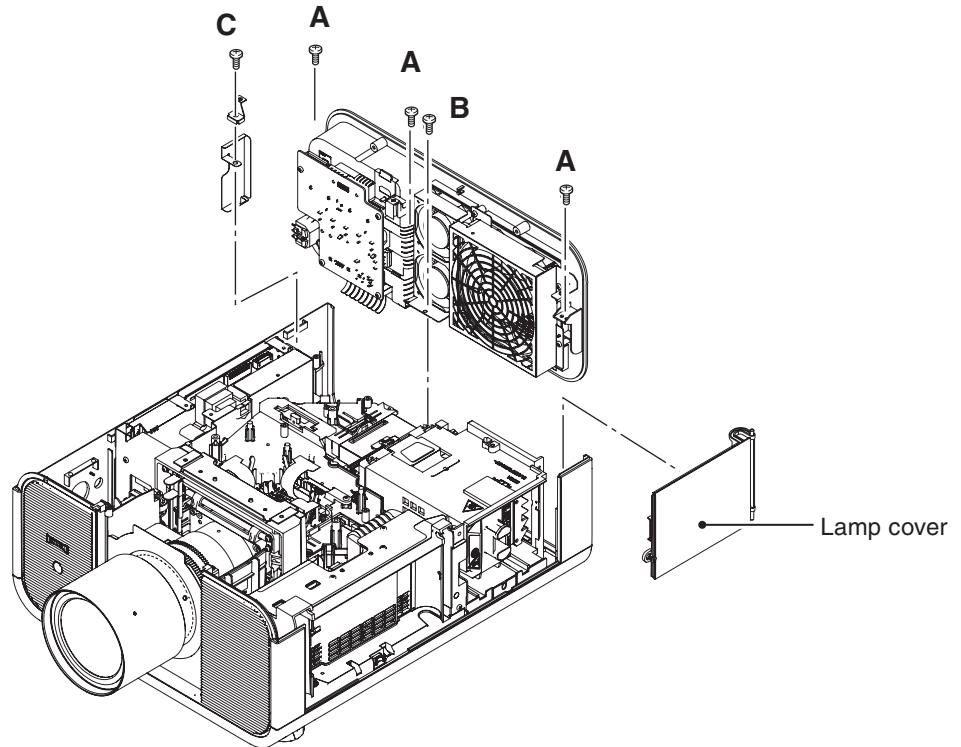
4 Main board removal

- 1 Remove 2 screws A (M3x6) and take the prism shield cover top off.
- 2 Remove 6 screws B (M3x6) and take the main shield cover top off.
- 3 Remove 2 screws C (M3x6) and 1 screw D (M3x6) and take the main board off.
- 4 Remove 2 screws E (M3x6) and take the main shield cover bottom off.



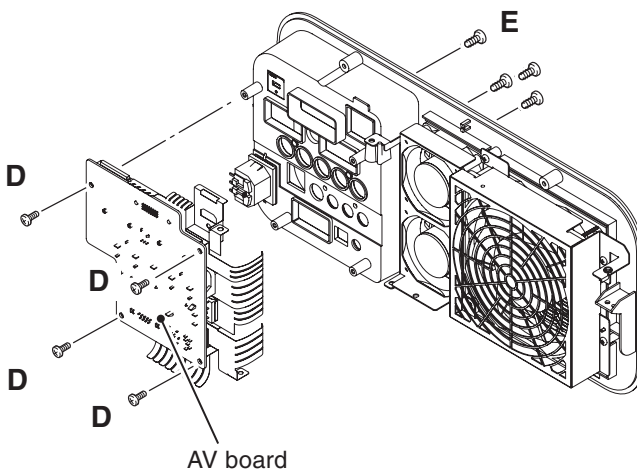
5 Cabinet back ass'y removal

1 Remove 3 screws A (T3x8), 1 screw B (M3x6) and 1 screw C (M3x6) and take the cabinet back ass'y upward off.



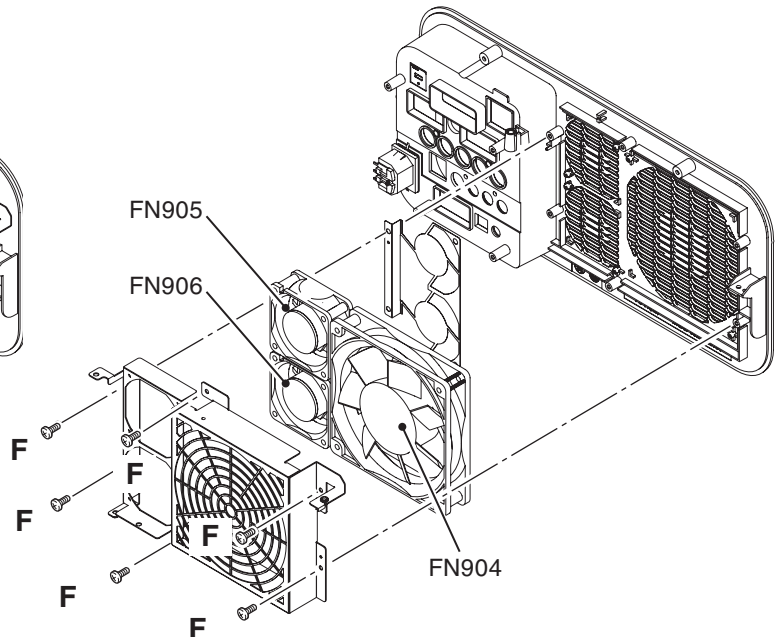
5-1 AV board removal

1 Remove 4 screws D (T3x8) and 4 screws E (T3x10-black) and take the AV board off.



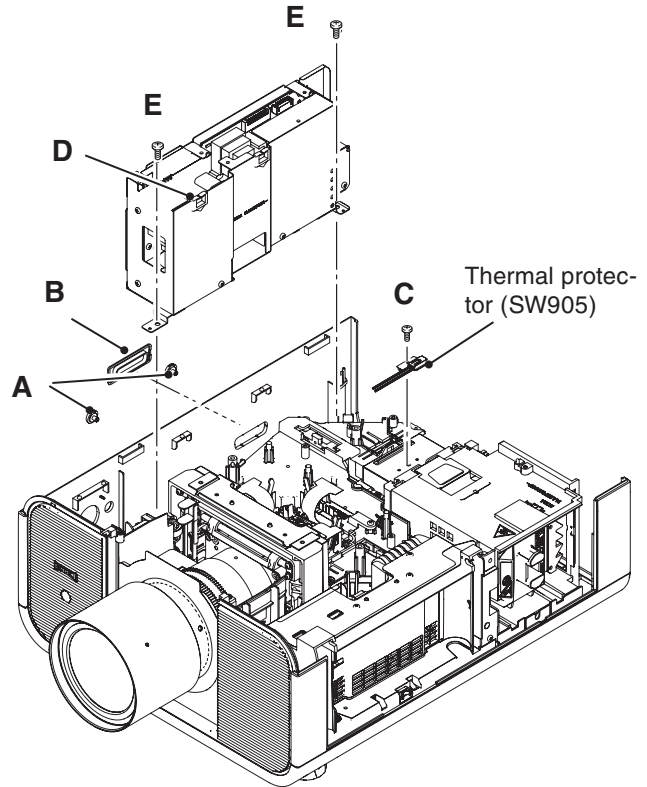
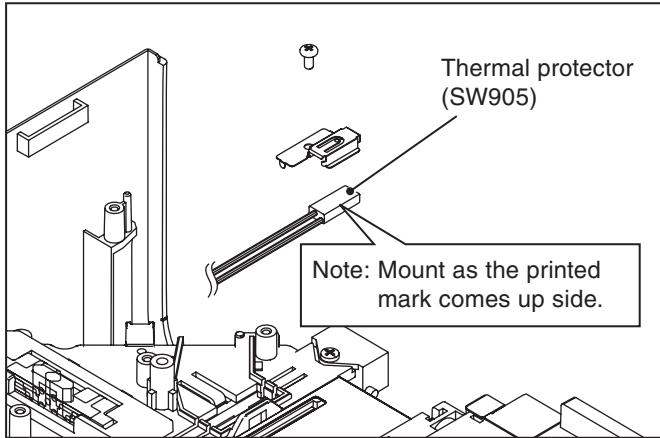
5-2 Fans (FN904, FN905, FN906) removal

1 Remove 6 screws F (T3x8) and take the fans (FN904, FN905, FN906) off.



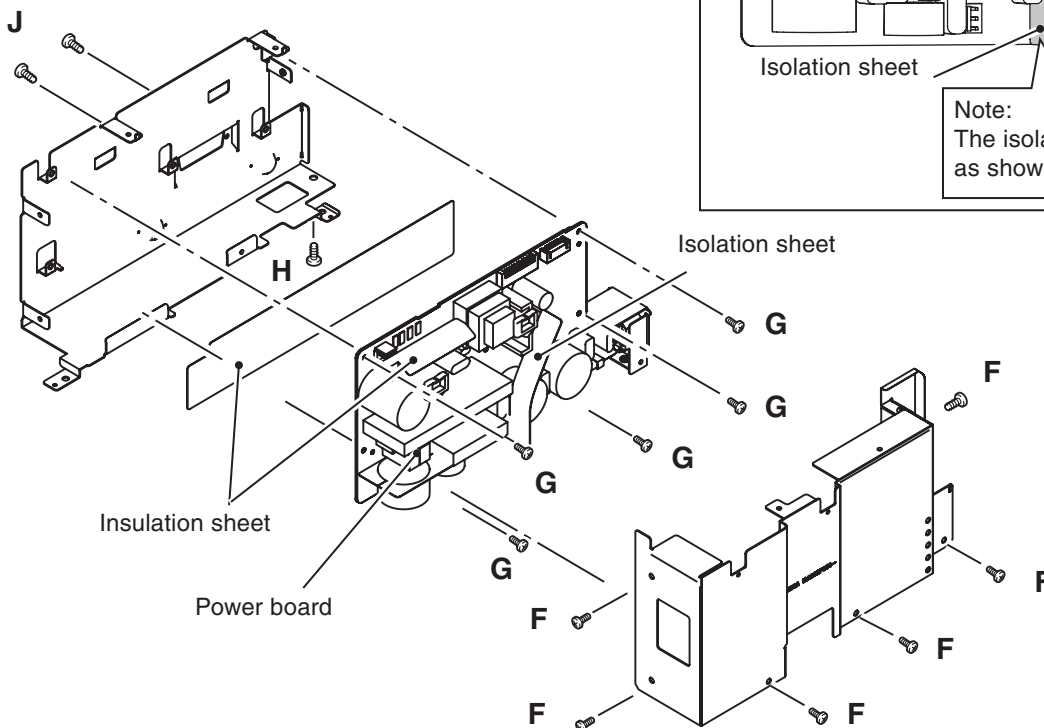
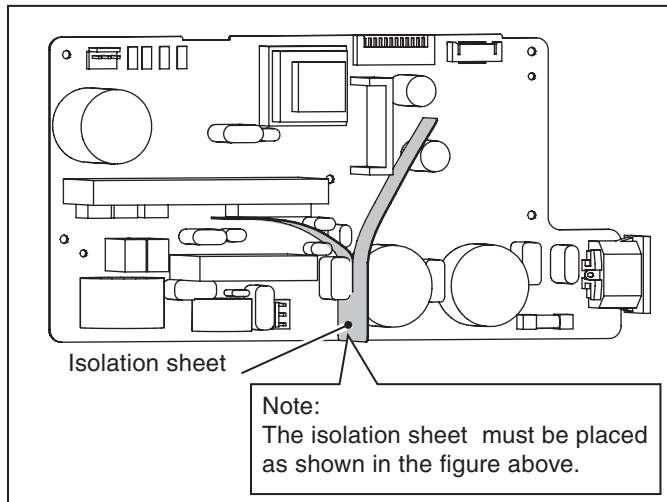
6 Power Box removal

- 1 Remove 3 covers A and B on the cabinet.
- 2 Remove 1 screw C (M3x6) and take thermal protector (SW905) off
- 3 Disconnect the socket D (K6B) on the power board.
- 4 Remove 2 screws E (M4x8) and take the power box upward off.



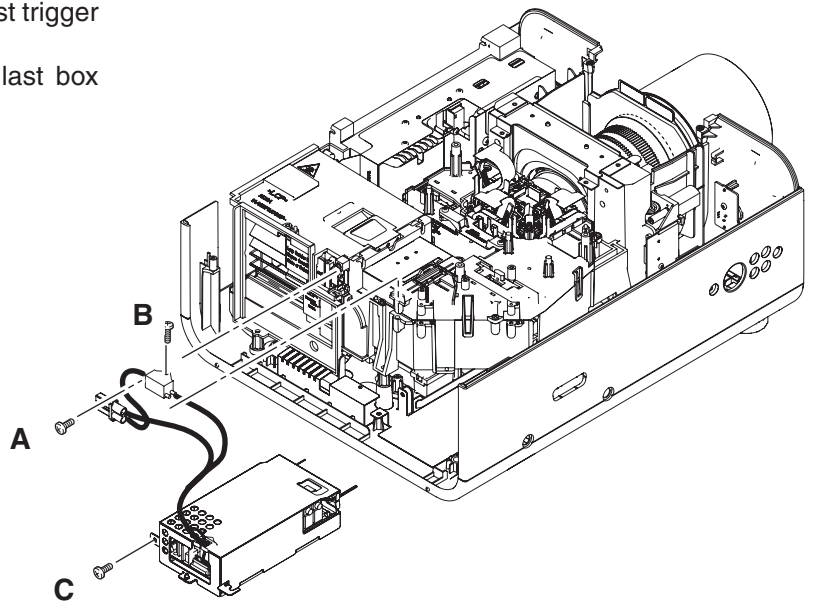
6-1 Power box disassembly

- 1 Remove 6 screws F (M3x6) and take the power box cover off.
- 2 Remove 5 screws G (M3x6), 1 screw H (M4x8), 2 screws J (M2.8x4) and take the power board off.



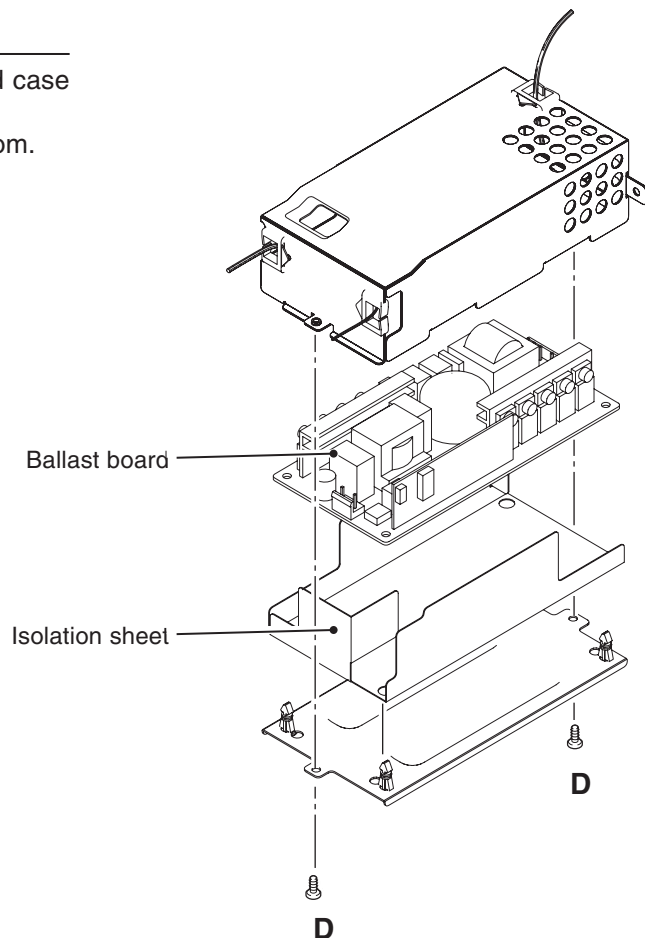
7 Ballast box removal

- 1 Remove 1 screw A (M3x6) and disconnect the lamp ballast socket.
- 2 Remove 1 screw B (T3x10) and take the ballast trigger off.
- 3 Remove 1 screw C (M4x8) and pull the ballast box backward and remove it off.



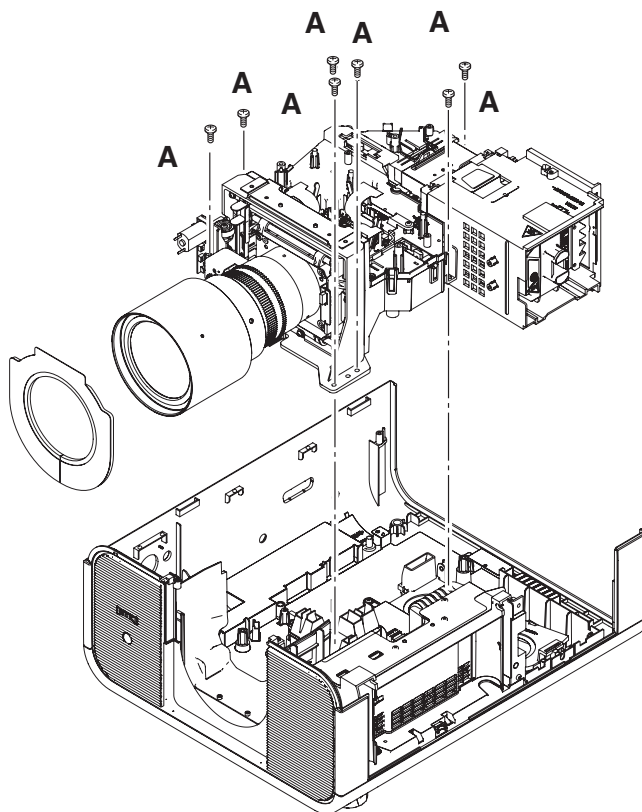
7-1 Ballast box disassembly

- 1 Remove 2 screws D (M3x6) and take the shield case top off
- 2 Remove ballast board from the shield case bottom.



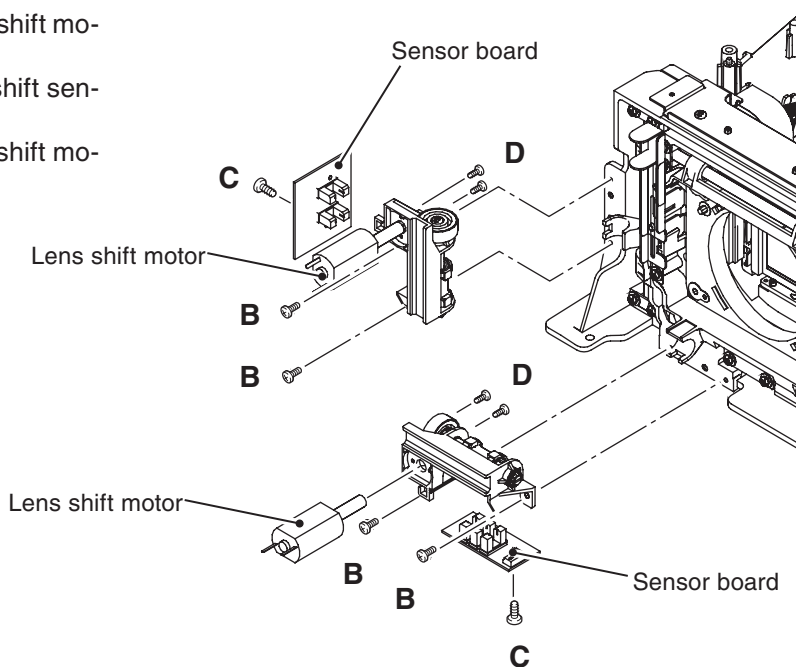
8 Optical unit removal

- 1 Remove 7 screws A (T4x16), disconnect ballast socket and take the optical unit upward off.



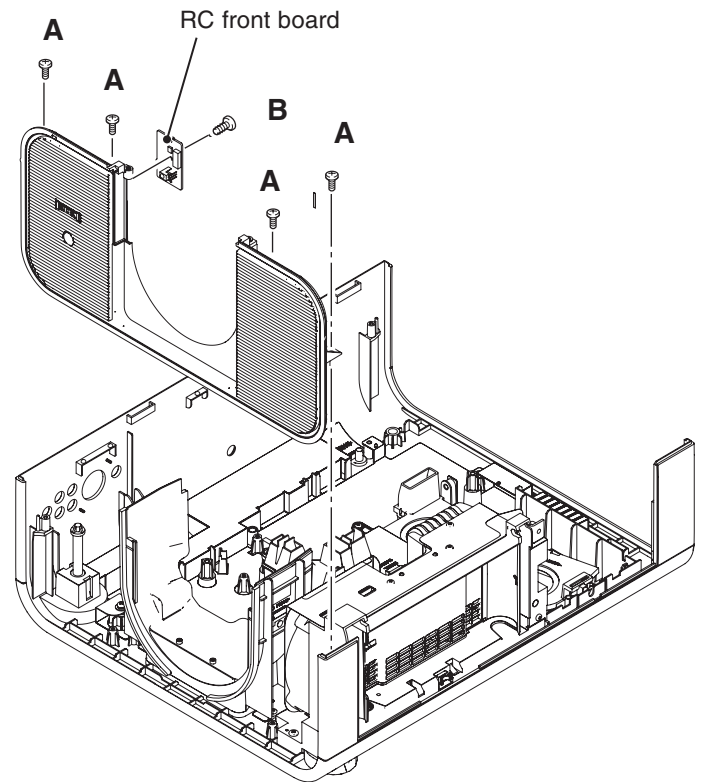
8-1 Lens shift motor ass'y removal

- 1 Remove 2 screws B (M3x6) and take the lens shift motor ass'y off.
- 2 Remove 1 screw C (T3x6) and take the lens shift sensor board off.
- 3 Remove 2 screws D (T2x4) and take the lens shift motor off



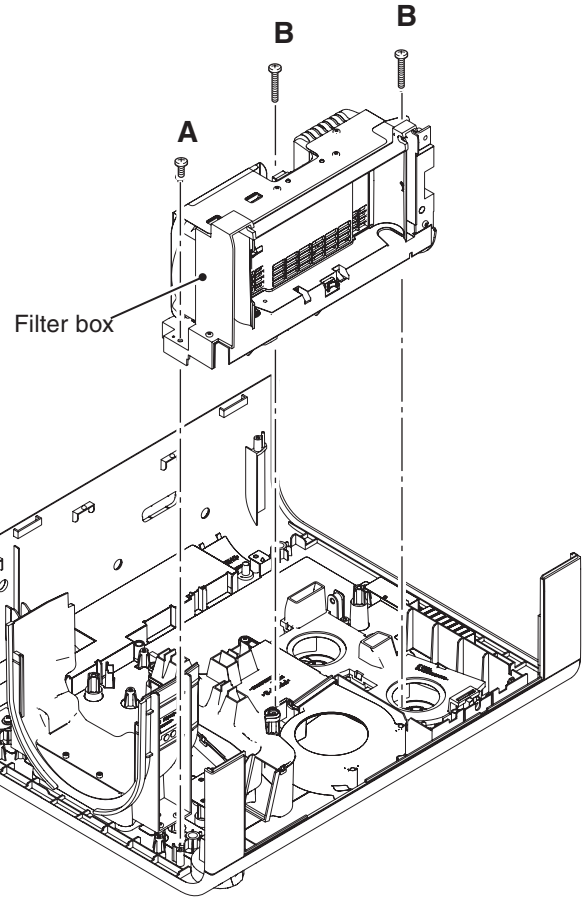
9 Cabinet front removal

- 1 Remove 4 screws A (T3x8) and take the cabinet front upward off.
- 2 Remove 1 screw B (T3x8) and take the RC front board off.



10 Filter box removal

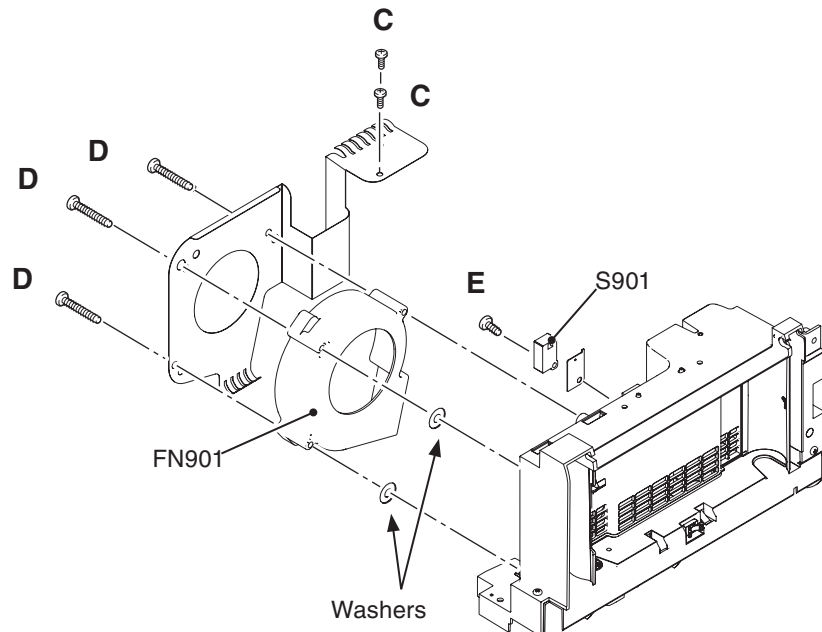
1 Remove 1 screws A (T3x8), 2 screws B (T4x40) and take filter box upward off.



10-1 Filter box and fan (FN901) disassembly-1

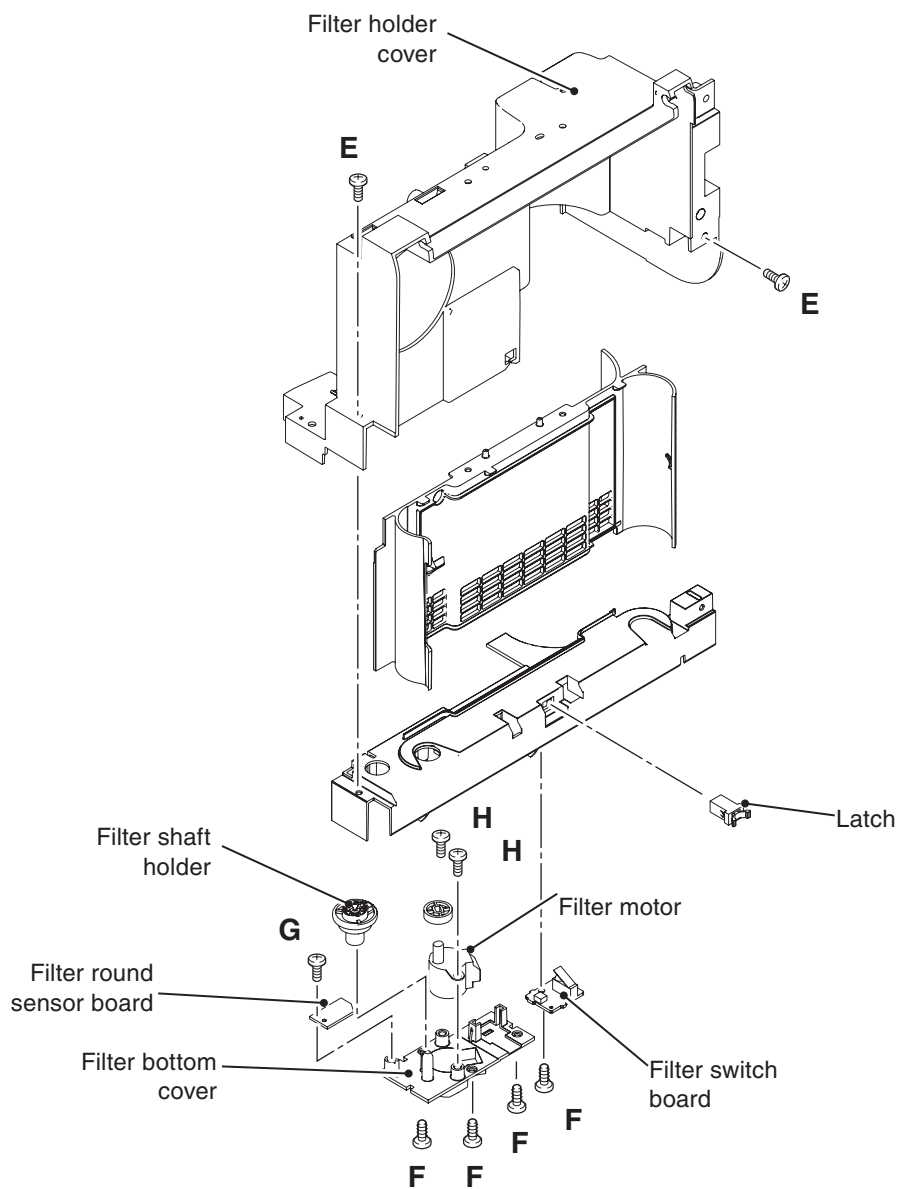
1 Remove 2 screws C (T3x8), 3 screws D (T4x35), and take fan (FN901) and holder off.

2 Remove 1 screw E (T3x14) and take the wind sensor (S901) off.



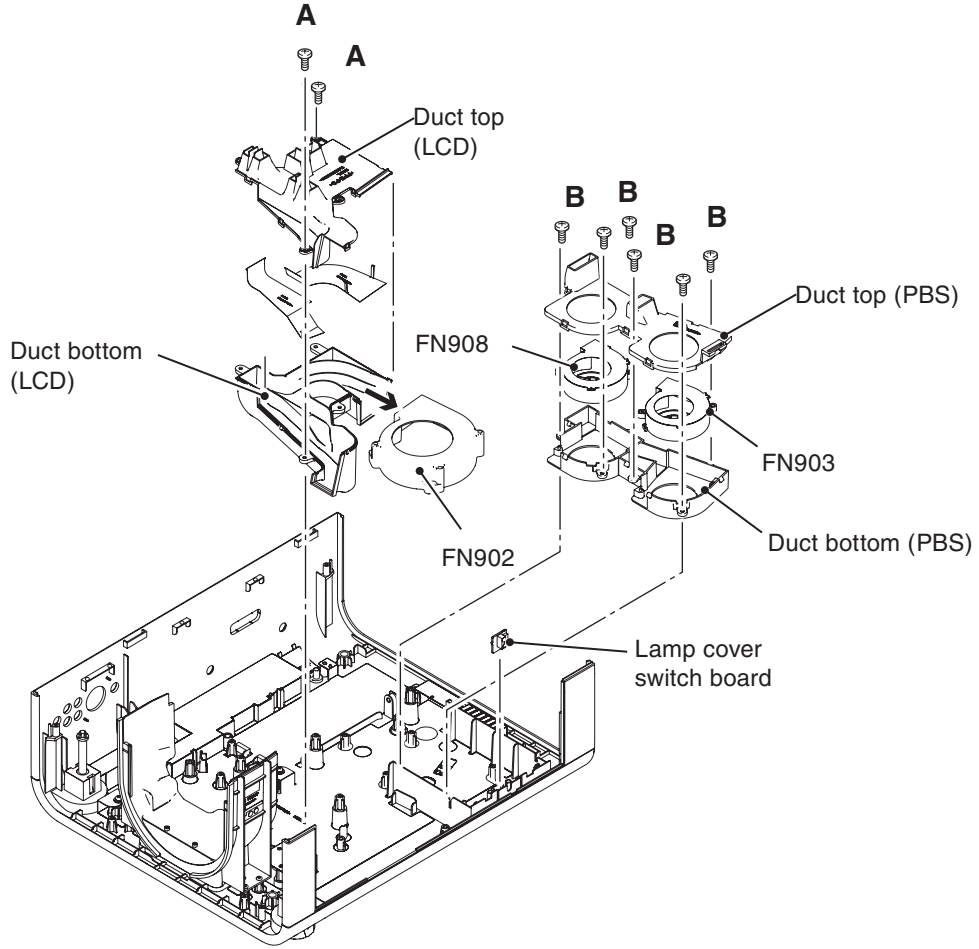
10-2 Filter box disassembly-2

- 1 Remove 2 screws E (T3x8) and take the filter cover off.
- 2 Take the filter cover latch off by pulling it.
- 3 Remove 3 screws F (T3x8) and take the filter bottom cover off.
- 4 Take the filter switch board off, and remove 1 screw G(T3x8) and take the filter round sensor board off.
- 5 Remove 2 screws H (T4x8) and filter motor off.



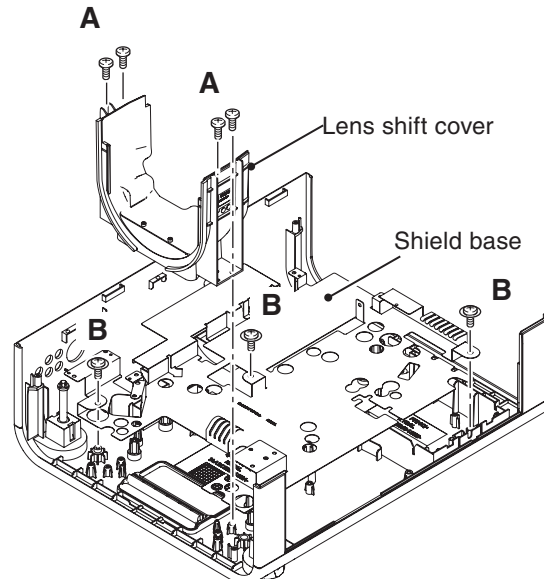
11 Fans (FN902, FN903, FN908) and duct removal

- 1 Remove fan (FN902) upward off.
- 2 Remove 2 screws A (T3x8) and take the duct top (LCD) upward off.
- 3 Remove 6 screws B (T3x8) and take the duct (PBS) assy upward off and remove fans (FN908 and FN903) off.
- 4 Remove the lamp cover switch board off.



12 Lens shift cover and shield base removal

- 1 Remove 4 screws A (T3x8) to remove the lens shift cover.
- 2 Remove 3 screws B (T4x8) to remove the shield base from the cabinet bottom.



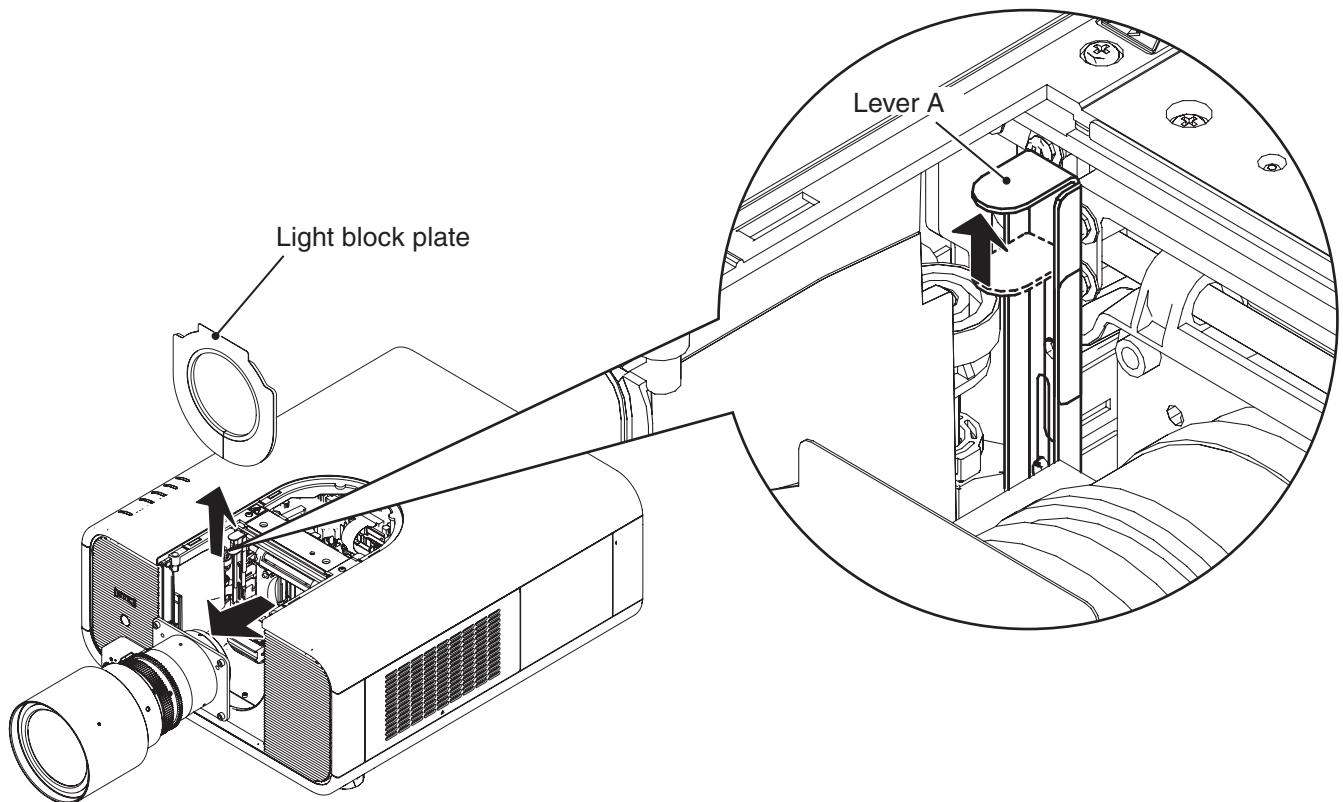
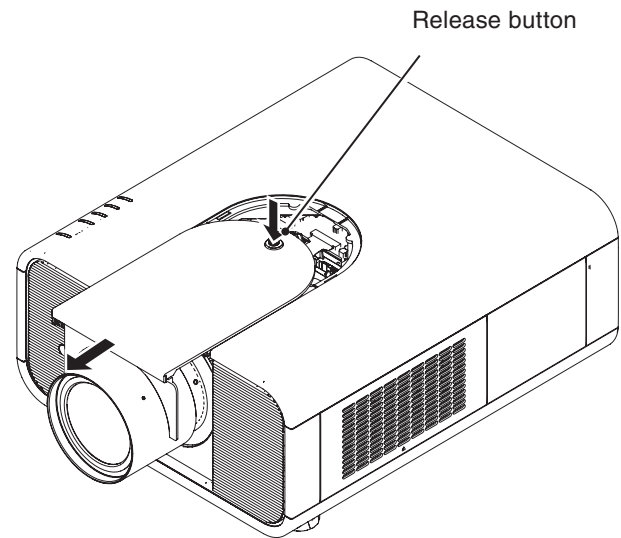
Optical Parts Disassembly

Disassembly requires a 2.0mm or 2.5mm hex wrench and a slot screwdriver.

1 Projection lens removal

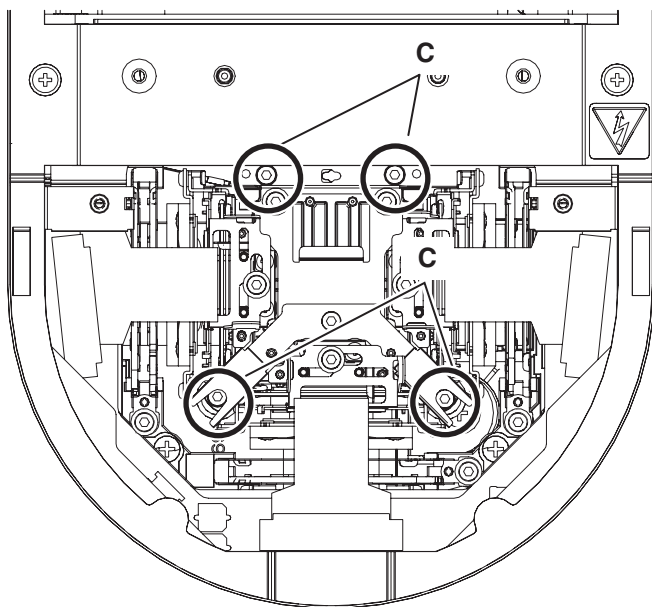
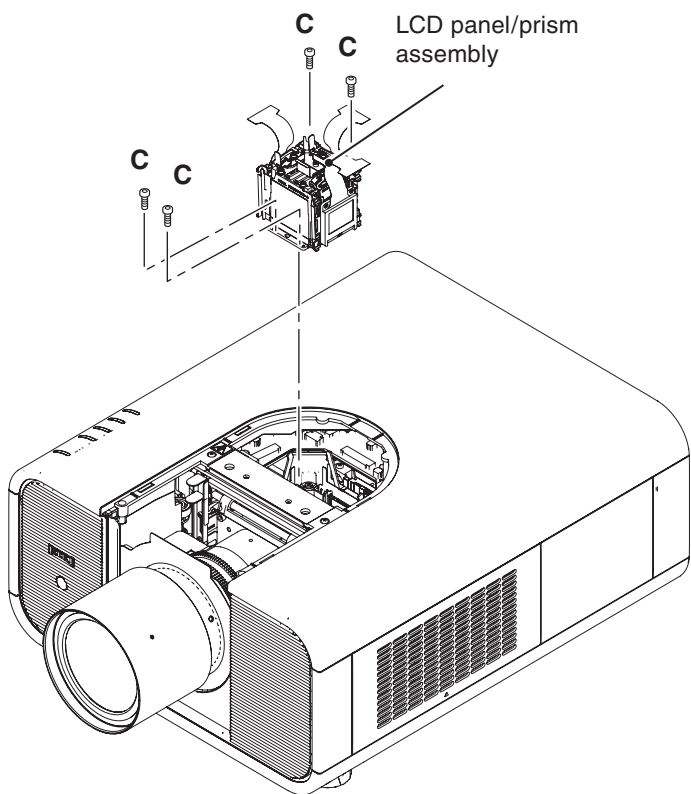
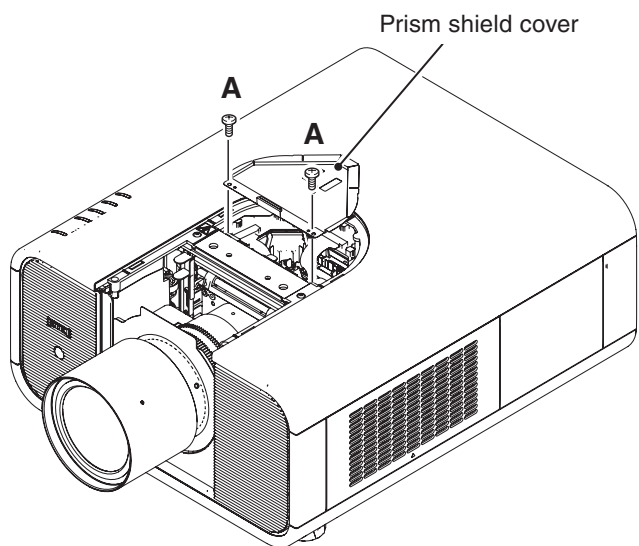
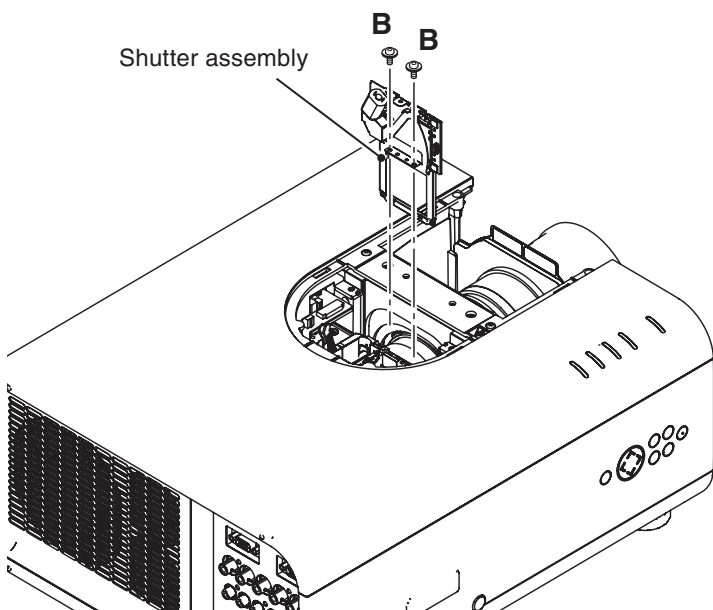
- 1 Set the projection lens to center position with lens shift function.
- 2 Press and hold the release button on the cabinet front cover and slide it in the arrow direction as shown in the figure and open it.
- 3 Remove the light block plate upward off.
- 4 Slide the lens lock lever A on the projector to “UN-LOCK” (UPPER) position and remove the Projection Lens ass'y off.

Note : When making unlocking, attach your hand to prevent the lens fall.



2 LCD panel/Prism assy removal

- 1 Remove 2 screws A (M3x6) and take the prism shield cover off.
- 2 Remove 2 screws B (M2.5x5) and take the shutter assy upward off.
- 3 Remove 4 screws C (M2.5 x10) and take the LCD panel/prism assembly upward off.

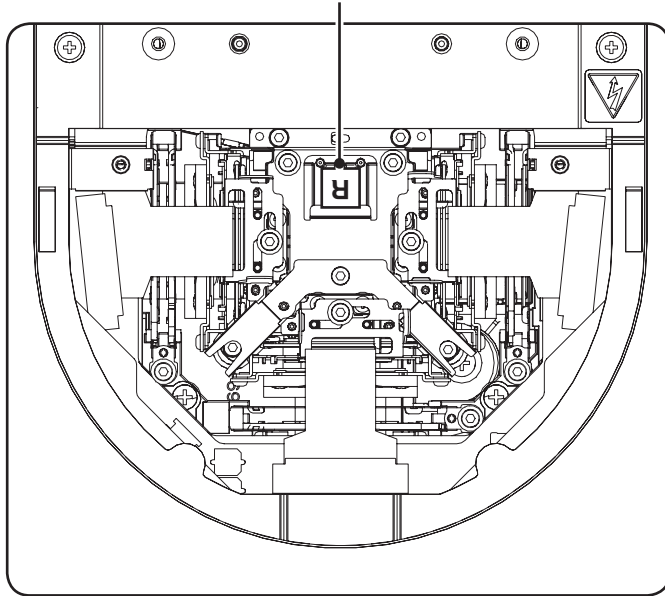


LCD Panel Type Check

There are 2 types of the LCD panel/prism assembly, named Type-R and Type-L. When replacing the LCD panel/prism assy, use the same type of the one on the projector.

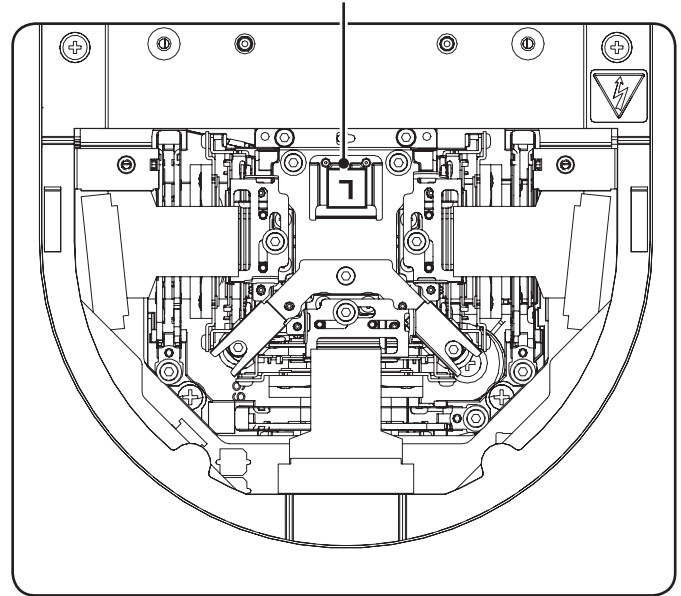
Confirm the "R" label or "L" label on top of the LCD panel/ prism assembly to identify the type.

Indication of Type-R



LCD Panel/Prism Assy (Type-R)

Indication of Type-L



LCD Panel/Prism Assy (Type-L)

IMPORTANT NOTICE on LCD panel/prism assy replacement

LCD panels used for this model cannot be replaced separately. Do not disassemble the LCD panel/prism assy. These LCD panels are installed with precision at the factory. When replacing the LCD panel, should be replaced whole of the LCD panels and prism assy at once.

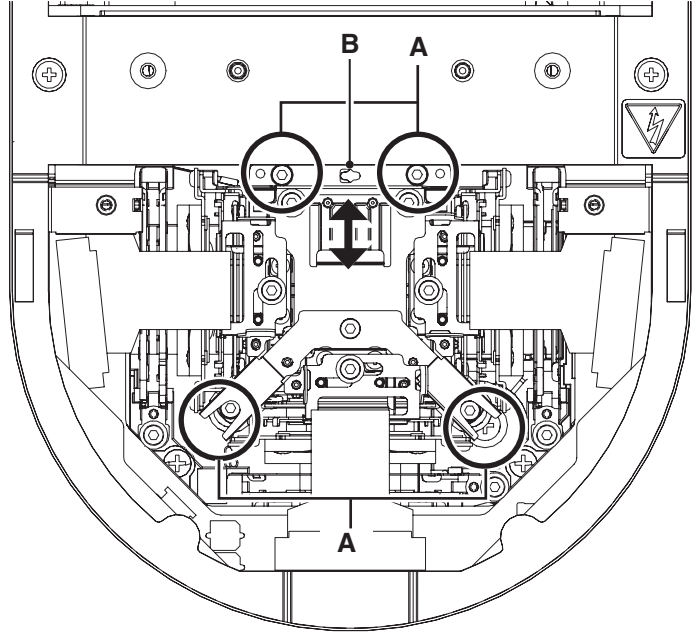
When replacing LCD panel/prism assy, take the optical and electrical adjustments following to the chapter "Adjustment".

Note on LCD panel/prism assy mounting

After replacing or installing the LCD panel/prism assy, please make sure to obtain the best focus in both TELE and WIDE zoom. If the focus adjustment is required, please adjust the positioning of LCD panel/prism assy following to the procedure below.

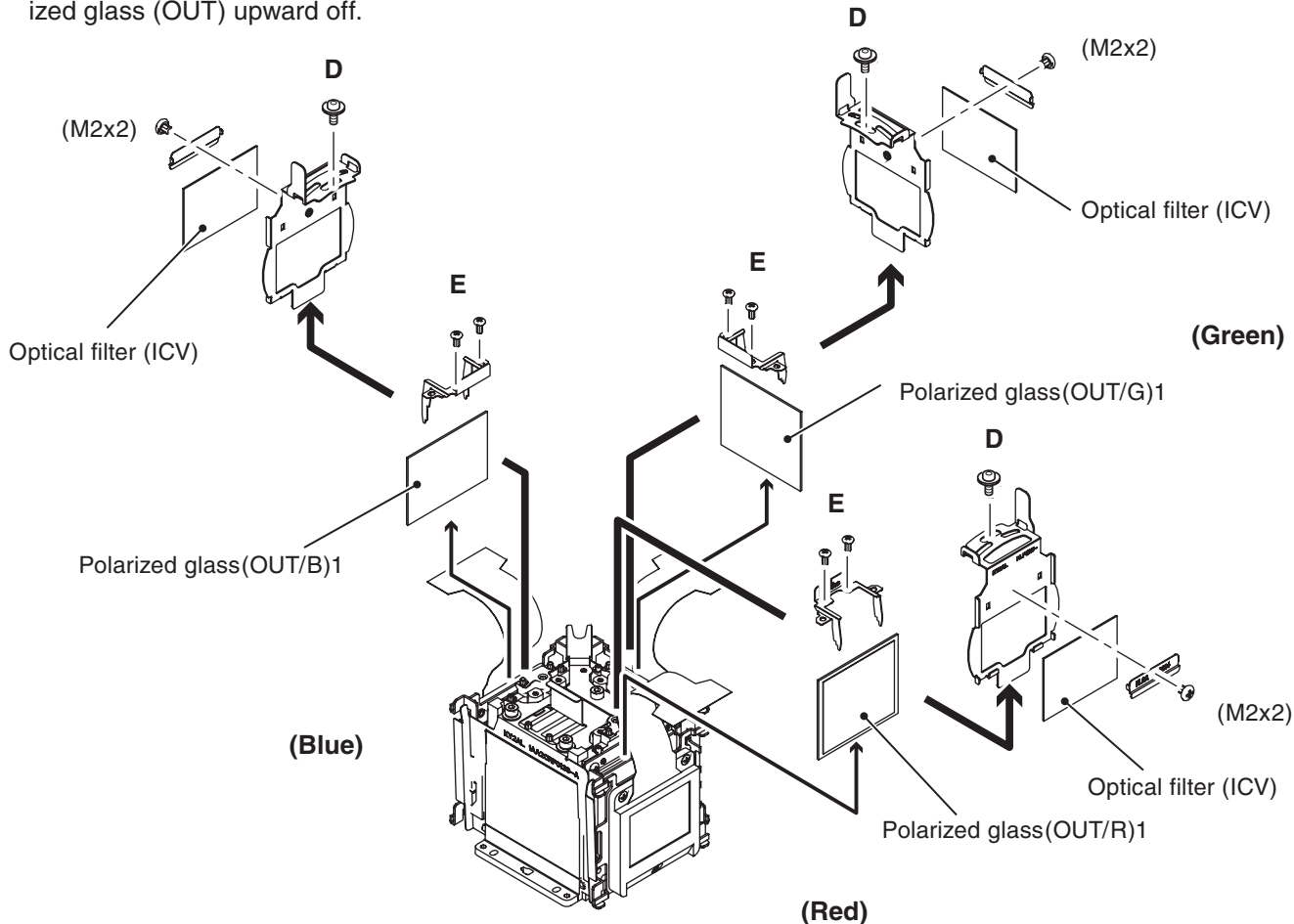
Focus adjustment:

- 1 Loosen 4 screws A on the LCD Panel/Prism ass'y with 2.0 mm hex driver.
- 2 Turn the projector on and project the image with WIDE zoom, and adjust the FOCUS control to obtain the best focus.
- 3 Turn the ZOOM control to the TELE position.
- 4 Insert a flat screw driver into the slot B and move the LCD panel/prism assy backward or forward by turning the screwdriver left or right to obtain the proper focus. Confirm the focus at TELE and WIDE zoom.
- 5 Tighten 4 screws A to fix the LCD panel/prism assy.



2-1 Polarized glass (OUT) and optical filter (ICV) removal

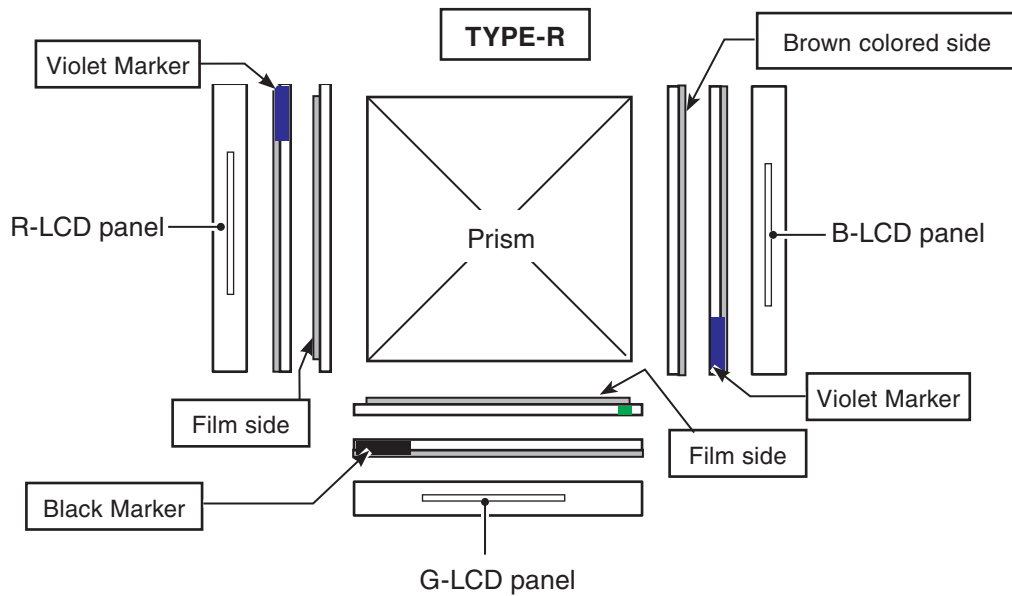
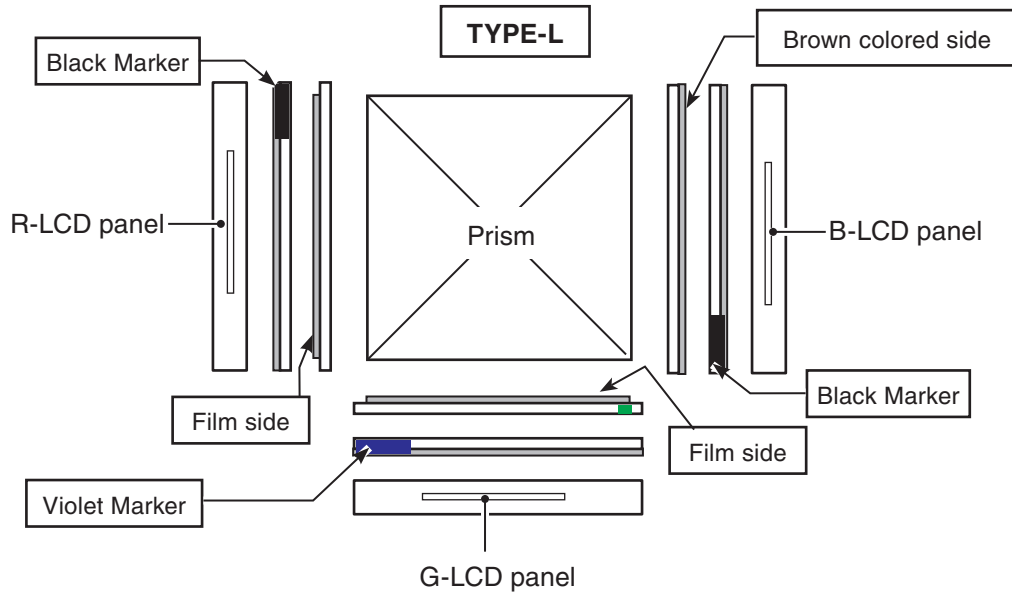
- 1 Remove 1 screw D (M2.5x6) on each holder and take the optical filter (ICV) assy upward off.
- 2 Remove 2 screws E (M2x4) to remove the holder and then take the polarized glass (OUT) upward off.



2-2 Polarized glass (OUT)/Optical filter (ICV) mounting

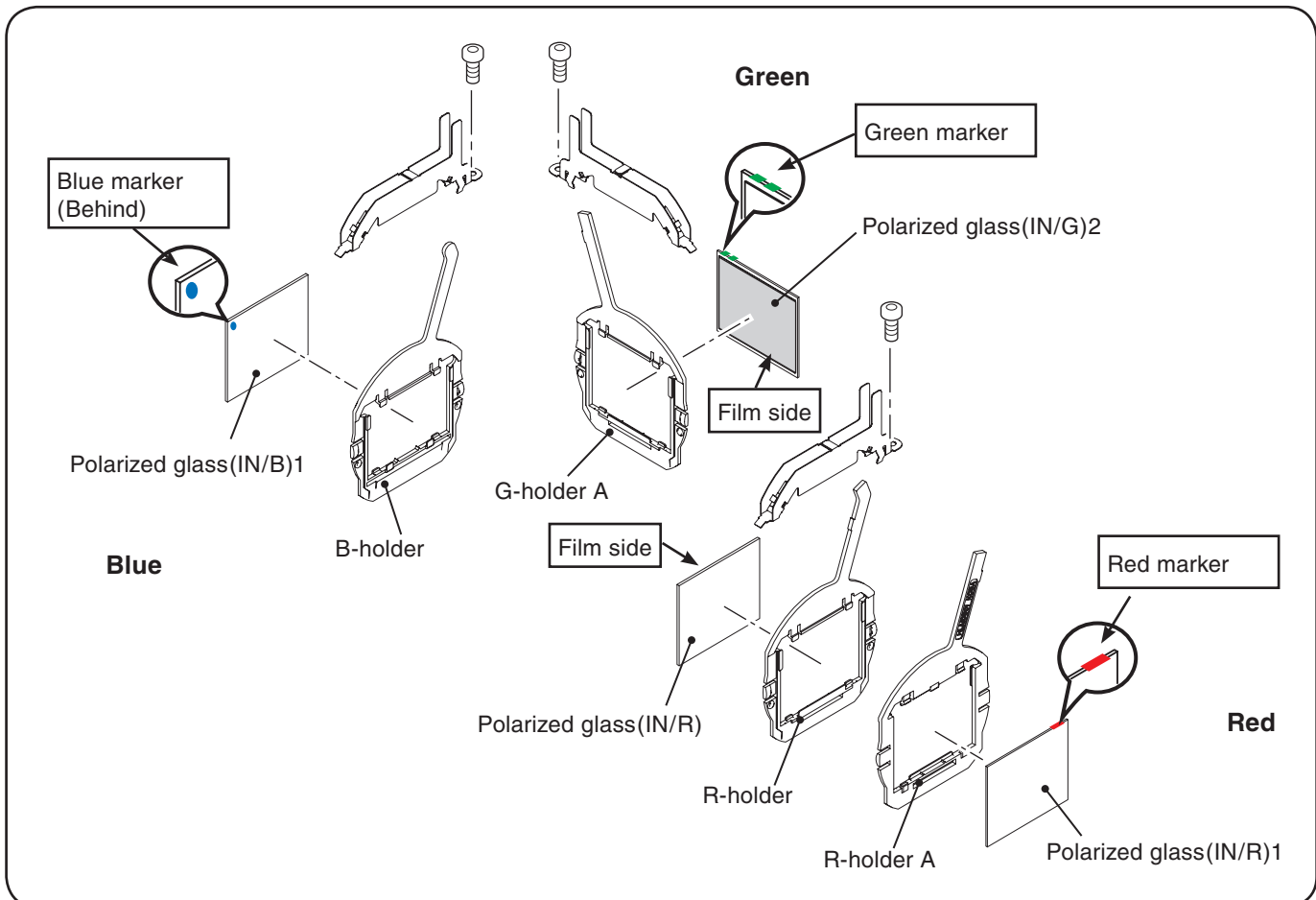
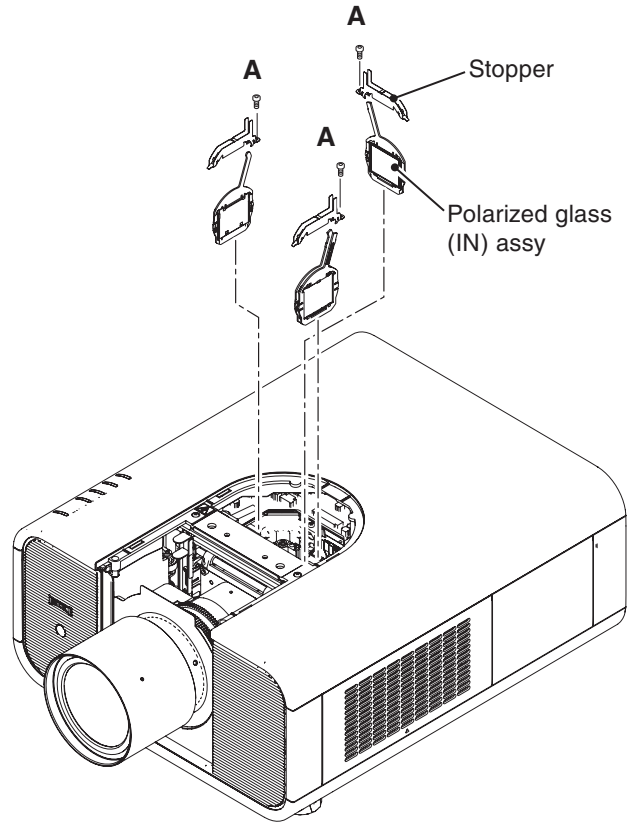
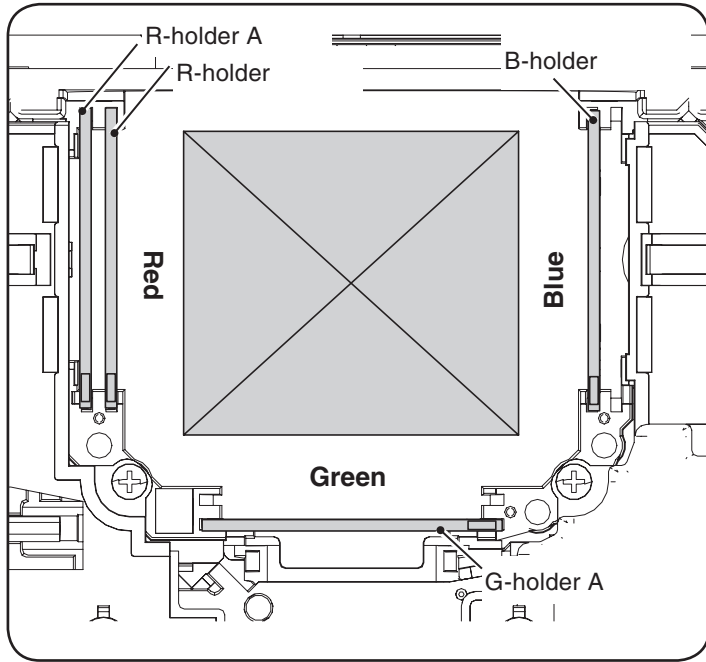
There are 2 types of the LCD panel/prism assembly named Type-R and Type-L. Mount the polarized glasses (OUT) and optical filters (ICV) according to the type of the LCD panel/prism assembly as shown in the figure below.

LCD panel/prism top view



3 Polarized glass(IN) assy removal

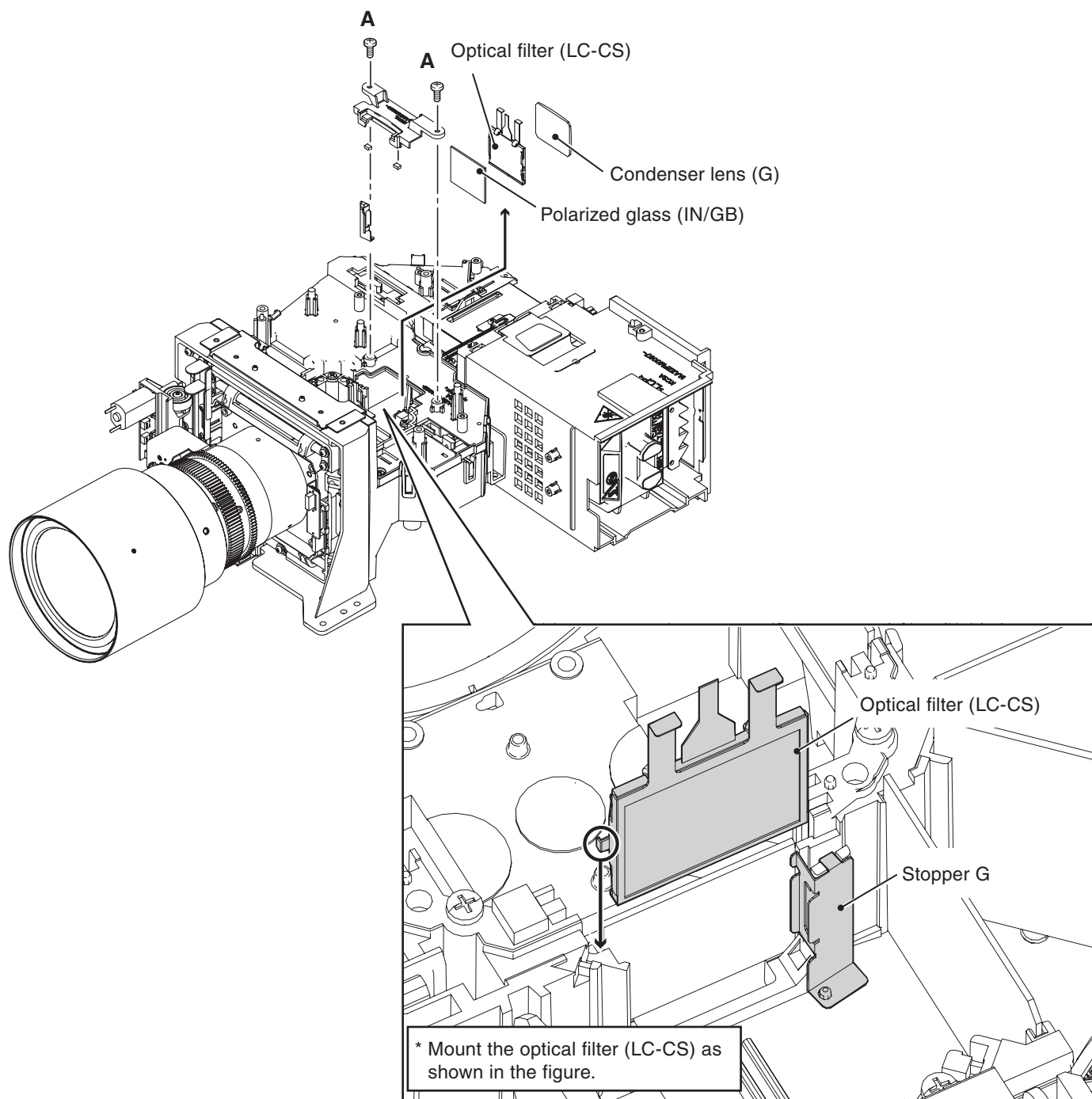
1 Remove 1 screw A (M2.5x5) on each stopper and take the polarized glasses upward off.



4 Optical filter, Polarized glass (IN/GB), Condenser lens (G) removal

Before taking this procedure, remove Cabinet top and Main board following to the chapter "Mechanical Disassembly".

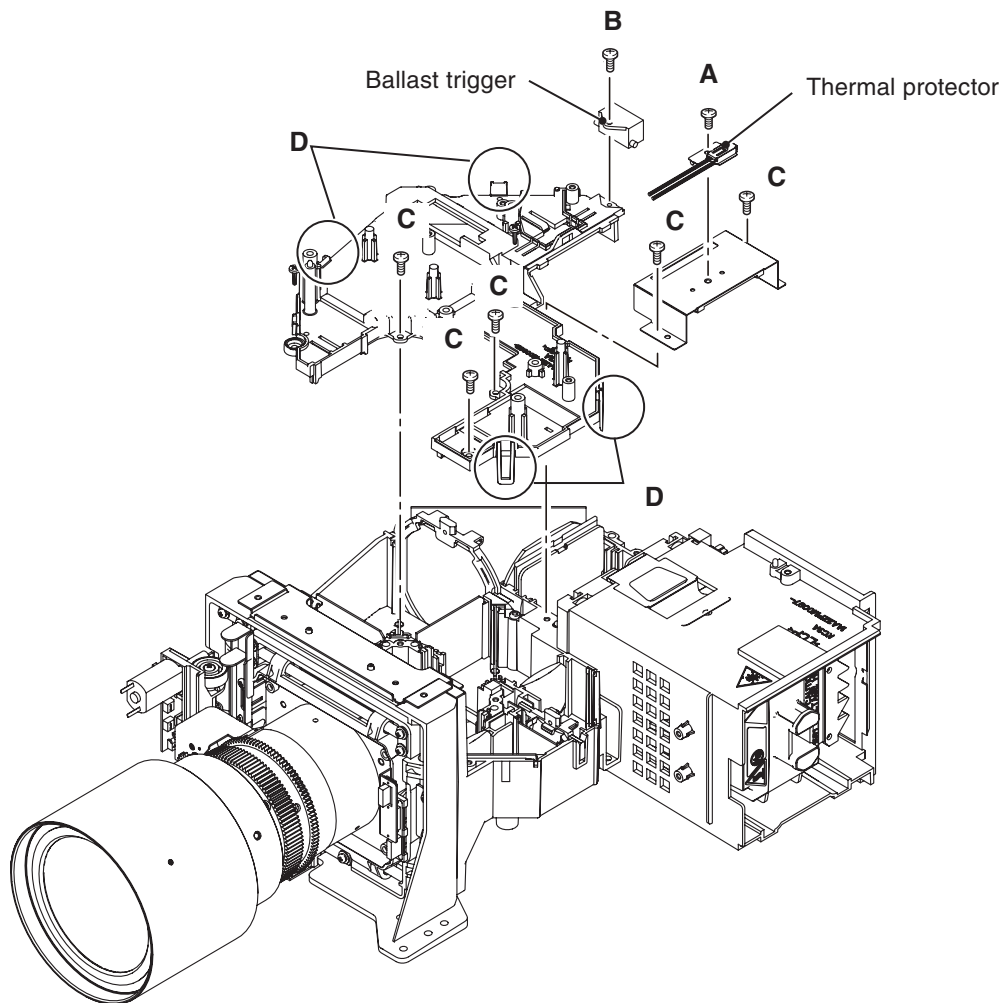
- 1 Remove 2 screws A (M3x8) and remove the optical filter cover.
- 2 Remove the optical filter (LC-CS), polarized glass (IN/GB) and condenser lens (G) upward off.



5 Optical base top removal

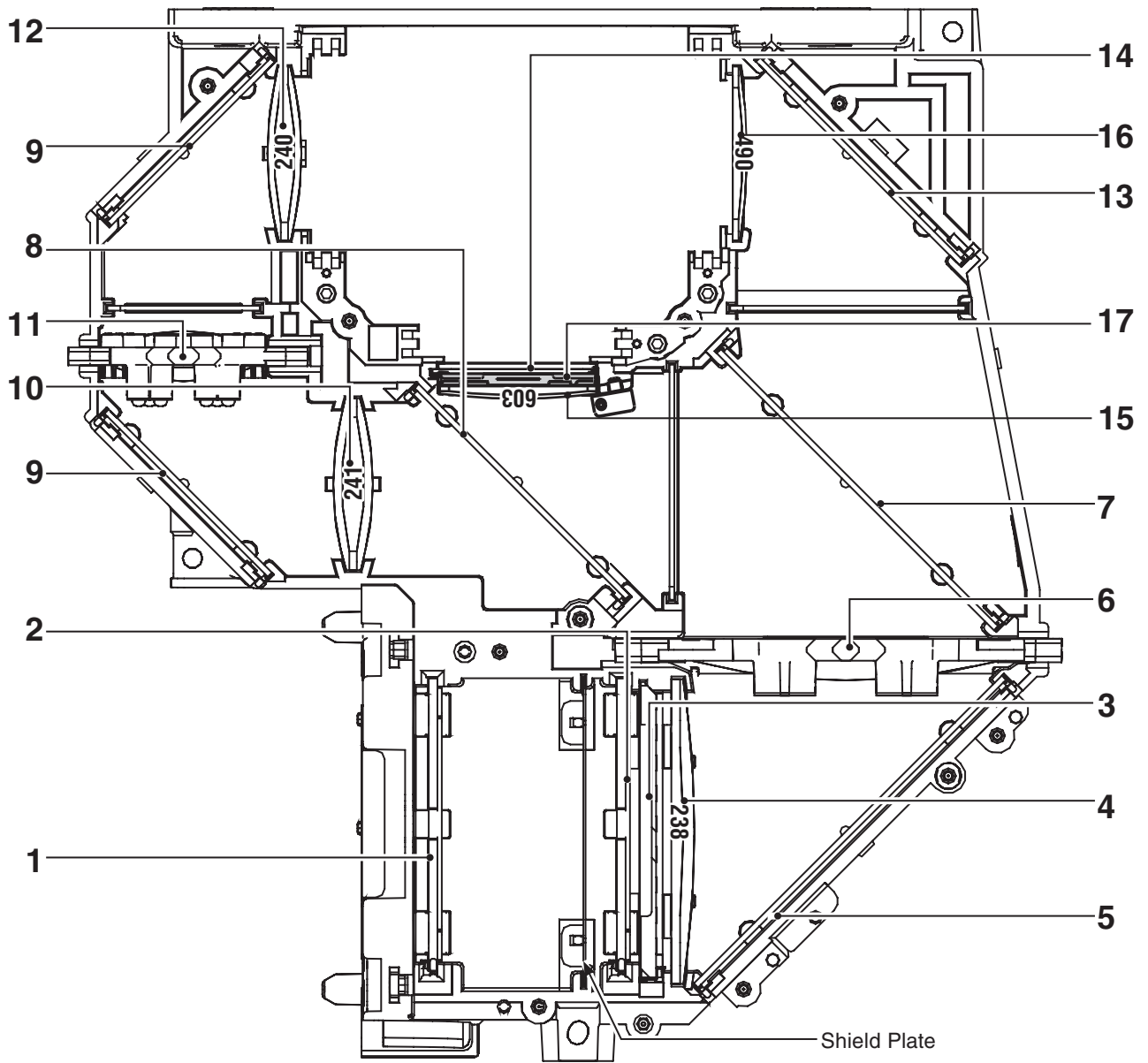
Before taking this procedure, remove cabinet top, main board following to the chapter "Mechanical disassembly".

- 1 Remove 1 screw A (M3x6) on the thermal protector, 1 screw B (T3x10) on the ballast trigger and 5 screws C (T3x10).
- 2 Unhook 4 hooks D on the optical base top and take the optical base top upward off.



5-1 Optical parts locations in the optical unit

No.	Parts Name	No.	Parts Name
1	LENS,INTEGRATOR(IN) *	10	LENS,RELAY(IN)
2	LENS,INTEGRATOR(OUT) *	11	LENS,RELAY(OUT) *
3	ASSY,PRISM(PBS)	12	LENS,CONDENSER(R)
4	LENS,CONDENSER(IN)	13	MIRROR(B)
5	MIRROR(W-COLD)	14	POLARIZED GLASS(IN/GB)
6	LENS,CONDENSOR(OUT) *	15	LENS,CONDENSER(G)
7	DICHROIC MIRROR (B)	16	LENS,CONDENSER(B)
8	DICHROIC MIRROR (G)	17	OPTICAL FILTER (LC-CS)
9	MIRROR(R)		



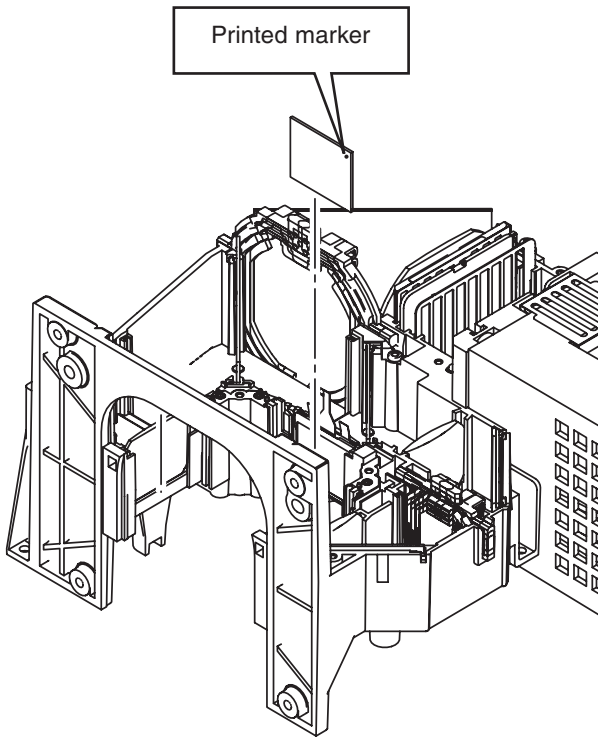
Note:
 The parts indicated with (*) are fixed with the adhesive onto the optical base bottom, so these parts are not the replaceable parts.

5-2 Optical parts directions in the optical unit

When mounting or assembling the optical parts in the optical unit, the parts must be mounted in the specified location and direction as shown in the figure below.

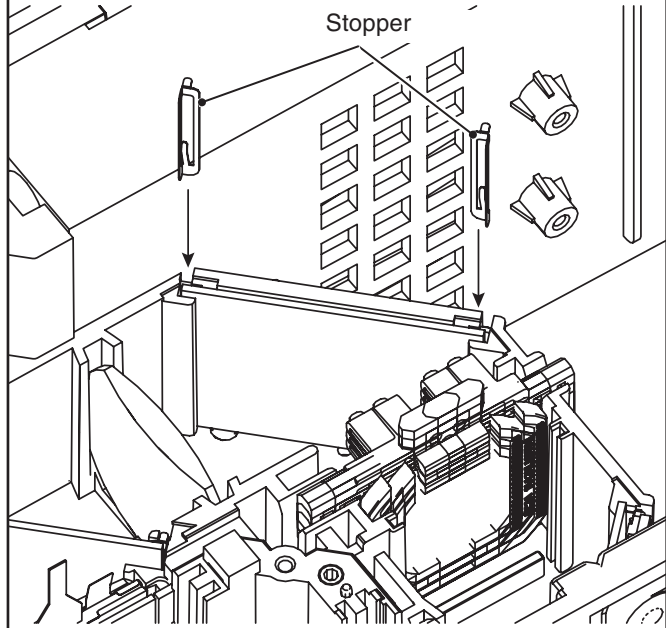
Polarized glass (IN/GB)

Mount as the marker facing to the prism side as shown in the figure below.



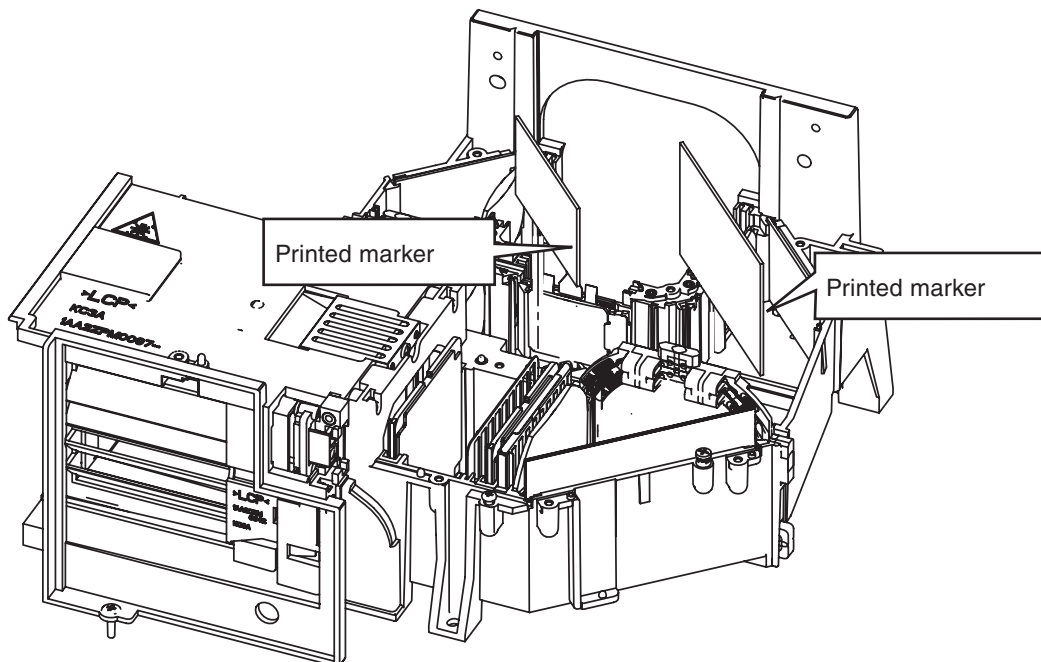
Mirror, Dichroic mirror

Place the mirror and dichroic mirror into the groove and then mount the stoppers to fix them.



Dichroic mirror

Mount them as shown in the figure below. Pay attention to the direction of the printed parts no. on the mirror.



Adjustments

Adjustments after parts replacement

● : Adjustment necessary ○ : Check necessary

		Disassembly / replaced parts					
		LCD/ Prism Ass'y	Polarized Glass/ optical filter (ICV)	Optical Filter (Ye Device)	Power Board	Main Board	Fans/ Wind Sensor
Optical Adj.	Contrast adjustment	●	●	●			
	LCD panel L/R setting					●	
Electrical Adjustments	Fan voltage adjustment					●	●(Fans)
	PC-auto calibration					●	
	Video-auto calibration					●	
	Component-auto calibration					●	
	Common voltage adjustment	●				●	
	Gamma shipment setting-up *	●				●	
	Ye-superimposed shipment setting-up *			●		●	
	Color shading correction adjustment *	○	○	○		●	
	White balance adjustment	○	○	○		●	
	Wind sensor calibration				●	●	●(S901)

* To setup or adjust those items, the Projector Service Tool v. 4.20 software is needed. Refer to the owner's manual for this software for the further details.

Note on main board replacement

Take the following setting when the main board is replaced.

- Shipment data setting (Color Shading Correction, Gamma Shipment, Ye-Superimposed Shipment)
- Serial No. Setting

Adjustment Ship Data Setting

This projector stores "Color Shading Correction Data", "Gamma Data" and "Ye-Superimposed Data" in the flash memory (IC801) and memory (IC1387) on the main board. Those shipping data have been setup according to the optical characteristics of the mounted LCD panels and Ye device (Optical Filter) precisely in the factory. When replacing the main board, you need to read out the those setting data stored in the memory ICs on the previous main board and write down them into the memory ICs on the new main board. By this way, the projector enables to reproduce the picture which has properly adjusted color shading correction, gamma correction and Ye characteristics. If it is not possible to read out the data, or replace the LCD/Prism assy or Ye device (Optical Filter), you need to write the initial data which is setting the typical characteristics of the LCD panel and Ye device into the flash memory on the new board. For further details, refer to the operation manual of the software [PROJECTOR SERVICE TOOL v4.20].

Serial No. Setting

Each projector has an unique serial no. controlled in the factory. There are 2 ways to check this serial no. The one is printed on the rating label on the cabinet, the other one is displayed on the "Information" on the on-screen menu. The serial no. displayed on the on-screen menu is stored in the memory IC (IC1387) on the main board. When replacing the main board or memory IC, you need to write the serial no. referring to the serial no. printed on the rating label with the serial no. setting tool. For further details, refer to the operation manual of the serial no. setting tool [SST LITE v1.00].

Those software are including in the service CD-ROM listed below;

PROJECTOR SERVICE TOOL CD-ROM v4.21 SERVICE CODE: 610 357 7548

Optical Adjustments

Contrast adjustment

Adjustment environment: Dark room

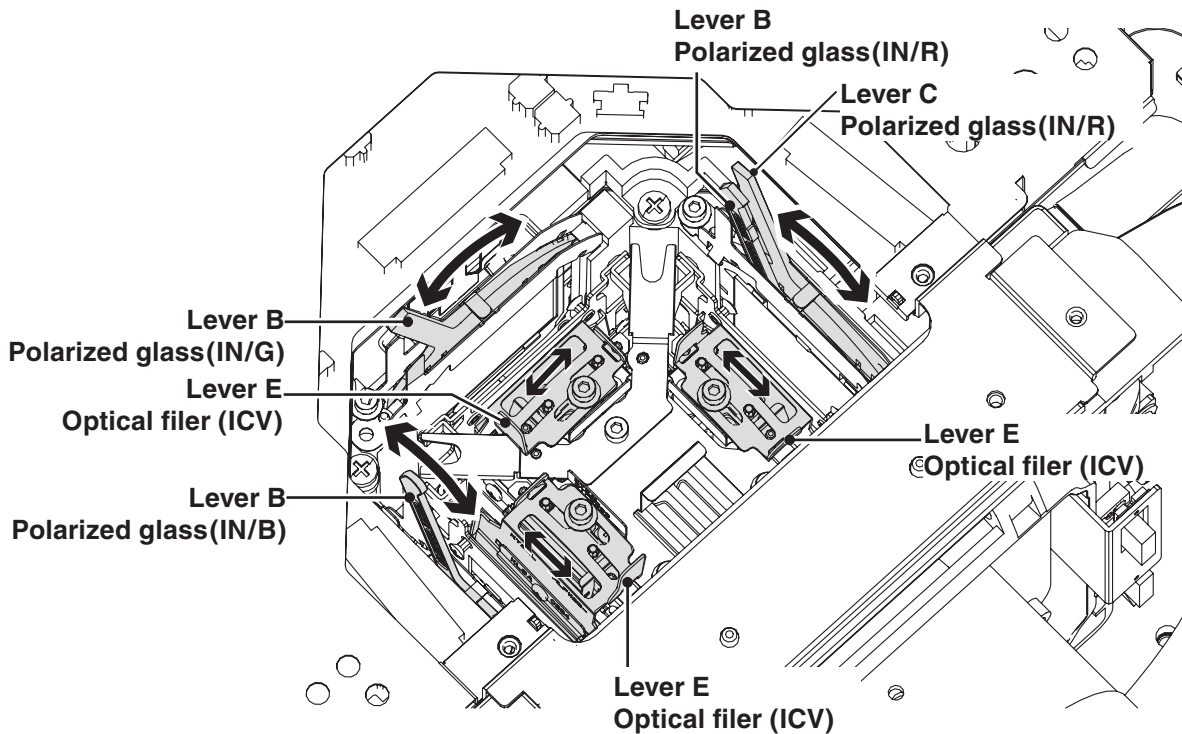
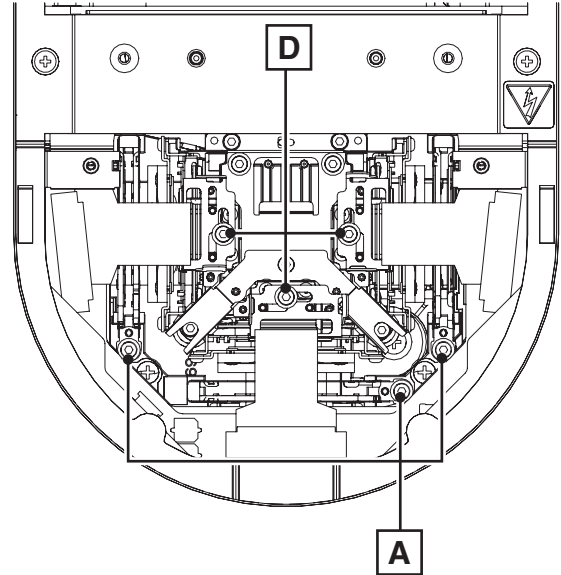
Signal pattern: All black (Select the internal test pattern signal "All black" from the projector's menu "Menu -> Setting -> Test pattern".)

[1] Polarized glass adjustment

- 1 Loosen each screw A on the polarized glass holder.
- 2 Turn the lever B of polarized glass to obtain the darkest brightness and proper black color uniformity on the screen.
Adjust in order for G-panel, R-panel and then B-panel.
- 3 Turn the lever C of polarized glass for R-panel to obtain the darkest brightness and proper black color uniformity on the screen.
- 4 Tighten the screw A to fix the polarized glass holder.

[2] Optical filter (ICV) adjustment

- 1 Loosen each screw D.
- 2 Turn the lever E of optical filter (ICV) to obtain the darkest brightness and proper black color uniformity on the screen.
- 3 Tighten the screw D to fix the optical filter holder.



Electrical Adjustments

Service Adjustment Menu Operation

To enter the service mode

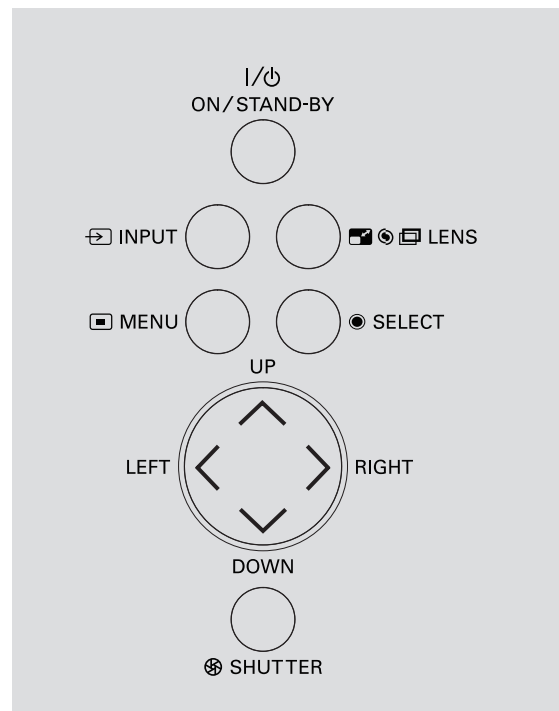
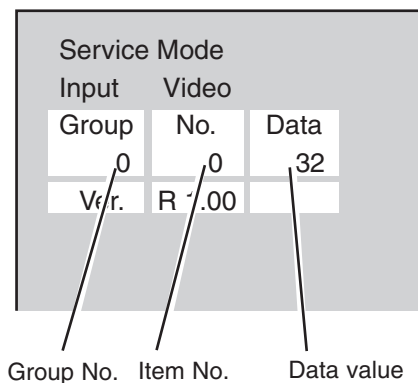
To enter the “Service Mode”, press and hold the **MENU** and **SELECT** button on the projector or remote control for more than 3 seconds. The service menu appears on the screen as follows.

To adjust service data

Select the adjustment group no. by pressing the **MENU** button (increase) or **SELECT** button (decrease), and select the adjustment item no. by pressing the pointer **▲** or **▼** button, and change the data value by pressing the **◀** or **▶** button. Refer to the “Service Adjustment Data Table” for further description of adjustment group no., item no. and data value.

To exit the service mode

To exit the service mode, press the **ON/STAND-BY** button.



Memory IC (IC1387) Replacement

Memory IC on the main board stores the data for the service adjustments, and should not be replaced except for the case of defective device.

If replaced, the re-adjustments are required following to the “Electrical Adjustments”.

The data of lamp replacement counter is stored in the Memory IC.

Please note that the lamp replace counter will be reset when the memory IC is replaced.

(Lamp replace counter cannot be set to the previous value.)

● Caution to memory IC replacement

When memory IC is replaced with new one, the CPU writes down the default data of the service adjustments to the replaced ICs as the mentioned on the service adjustment table. As these data are not the same data as

factory shipped data, it should be required to perform the re-adjustments following to the “Electrical Adjustments”.

Please note that in this case the lamp replace counter will be reset.

● Caution of Main Board replacement (in the case memory IC is not defective)

When the main board is replaced, memory IC should be replaced with the one on previous main board. After replacement, it should be required to perform the re-adjustments following to the “Electrical Adjustments”.

In this case, the value of lamp replace counter can be kept as before.

Circuit Adjustments

CAUTION: The each circuit has been made by the fine adjustment at factory. Do not attempt to adjust the following adjustments except requiring the readjustments in servicing otherwise it may cause loss of performance and product safety. Before taking these adjustments, turn the projector for more than 10 minutes to stabilize the operation.

[Adjustment Condition]

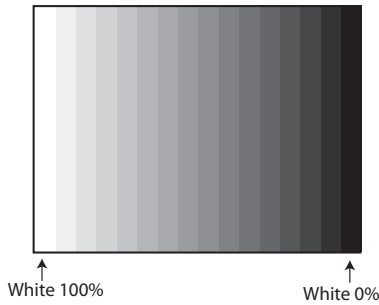
● Input signal

Analog Computer signal..... 0.7Vp-p/75Ω terminated (XGA)

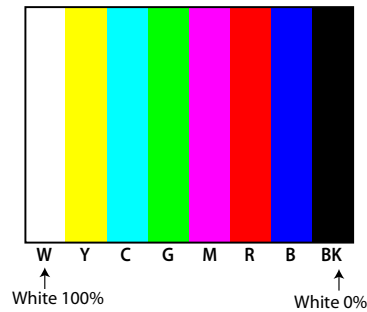
Composite Video signal ... 1.0Vp-p/75Ω terminated (NTSC / PAL)

Component Video signal.... 1.0Vp-p/75Ω terminated (480i, 480p, 720p, 1080i)

16 steps gray scale pattern



8 color 100% full color bar



- Image mode..... “Standard”
- Lamp mode..... “Normal”

- Advanced color “Off”
- Screen..... “Normal”

Note:

* Please refer to “Service Adjustment Menu Operation” for entering the service mode and adjusting the service data.

1 LCD panel L/R setting

There are two type(Type L, Type R) for the LCD/Prism Assy. The adjustment data is stored in the memory IC on the main board.

As the used type is indicated on the LCDpanel/prism assy, perform this adjustment to match to its type indication.

1. Enter the service mode.
2. Check the data value. (290 - 0)

Group No.	Value	Panel type
290 - 0	0	L
290 - 0	20	R

3. To change the set panel type, select 290-1.

Group No.	Value	Panel type
290 - 1	0	L
290 - 1	10	Initial
290 - 1	20	R

The initial data of 290 -1 is "10". To set the value for Type L, set the value to "0". To set the value for Type R, set the value to "20". When the value set "0" or "20", it automatically returns to initial data "10" after the setup.

2 Fan Voltages adjustment

Equipment Digital voltmeter

1. Enter the service mode.
2. Change data values of each test point to adjust the fan driving voltage.

Group No.	Test Point	Adjustment value
250 - 0	TPFN1	5.0 +0.1 -0Vdc
250 - 1	TPFN1	13.8 +0 -0.1Vdc
250 - 2	TPFN2	4.0 +0.1 -0Vdc
250 - 3	TPFN2	13.8 +0 -0.1Vdc
250 - 4	TPFN3	5.0 +0.1 -0Vdc
250 - 5	TPFN3	13.8 +0 -0.1Vdc
250 - 6	TPFN4	4.5 +0.1 -0Vdc
250 - 7	TPFN4	13.8 +0 -0.1Vdc
250 - 8	TPFN5	5.0 +0.1 -0Vdc
250 - 9	TPFN5	13.8 +0 -0.1Vdc
250 - 10	TPFN6	5.0 +0.1 -0Vdc
250 - 11	TPFN6	13.8 +0 -0.1Vdc
250 - 12	TPFN7	5.0 +0.1 -0Vdc
250 - 13	TPFN7	13.8 +0 -0.1Vdc

Electrical Adjustment

Adjustments item no. [3] to [5] are carried out at the spare parts shipment in the factory, therefore they are not required when the main board is replaced with new one.

3 PC-auto calibration

Input mode	Input 1 [RGB (PC analog)]
Input signal	XGA computer signal
Signal pattern	16-step gray scale

1. Enter the service mode.
2. Select Group "200", No. "72", and set the data value to "0".
3. Select Group "200", No. "70", and set the data value to "0".
4. Select Group "260", No. "0", and then change data value "0" to "1". The projector begins auto-calibration and then "OK" will appear on the screen.
5. Select Group "200", No. "70", and set the data value to "1".
6. Select Group "260", No. "0", and then change data value "0" to "1". The projector begins auto-calibration and then "OK" will appear on the screen.
7. Select Group "200", No. "72", and set the data value to "1".

4 Video-auto calibration

Input mode	Input 3 [Video]
Input signal	Composite vide signal
Signal pattern	8-color bar

1. Enter the service mode.
2. Select Group "260", No. "0", and then change data value "0" to "1". The projector begins auto-calibration and then "OK" will appear on the screen.

5 Component-auto calibration

Input mode	Input 2 [Y,Pb/Cb, Pr/Cr]
Input signals	480i, 480p, 720p, 1080i component
Signal pattern	8-color bar

1. Enter the service mode.
2. Select Group "200", No. "71", and set the data value to "0".
3. Select Group "260", No. "0", and then change data value "0" to "1". The projector begins auto-calibration and then "OK" will appear on the screen.
4. Select Group "200", No. "71", and set the data value to "1".
5. Select Group "260", No. "0", and then change data value "0" to "1". The projector begins auto-calibration and then "OK" will appear on the screen.
6. Repeat steps 2 to 5 for each component signal listed above.

6 Common voltage adjustment

Input mode	Input 1 [RGB (PC analog)]
Input signal	XGA computer signal
Signal pattern	50%-RGB pattern signals or 16-step gray scale
Advanced color	Auto

1. Enter the service mode.
2. Select Group "101", No. "4" and set the data value from "2" to "0" to reduce the panel frequency.
3. Change the data value to obtain **the minimum flicker** for each color on screen.

Group No.	Adjustment
100 - 11	for red flicker
100 - 9	for green flicker
100 - 10	for blue flicker

4. Select Group "101", No. "4" and then change data value from "0" to "2".

To switch Advanced Color function "Auto" or "Off"
Display on-screen menu, and select "Image" -> "Advanced Color" -> "Auto" or "Off".

7 Gamma shipment adjustment

Software	PROJECTOR SERVICE TOOL v4.20
----------	------------------------------

Use the software to obtain the proper gray scale. See the further information of the software instruction manual.

8 Ye device shipment adjustment

Software	PROJECTOR SERVICE TOOL v4.20
----------	------------------------------

Use the software to obtain the proper gray scale for Ye device. See the further information of the software instruction manual.

9 Color shading correction adjustment

Software PROJECTOR SERVICE TOOL v4.20
 Signal pattern 5%, 10%, 15%, 20%, 30%, 50%, 60%, 80% whole gray

Use the software to correct the color shading of the screen. See the further information of the software instruction manual.

The color shading correction adjustment for this model should be performed with the whole-gray patterns specified as above.

Corresponding to the pull-down menu of the gray level selector on the software.

- Level L1 : 5%
- Level L2 : 10%
- Level L3 : 15%
- Level L4 : 20%
- Level L5 : 30%
- Level L6 : 50%
- Level L7 : 60%
- Level L8 : 80%

Relation of level (%) indication and signal pattern

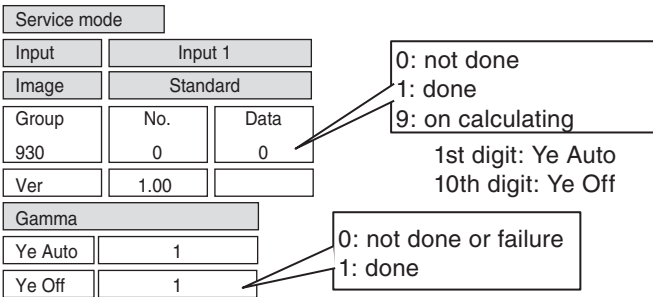
- 0% : Black
- 100% : White

10 White balance adjustment

Input mode Adjusted input mode (for checking)
 Signal pattern 16-step gray scale
 Advanced color Auto and Off

1. Enter the service mode.
2. Select Group and No. of white balance adjustment items referring to the table below. For example, when adjusting the white balance in the Standard PC mode with Advanced color : Auto, select Group - No. "982 - 11 (X value)" or "982 - 12 (Y value)".
3. Change the Data value.
4. Select Group "980", No. "0". When the Data value is changed "0" to "10", the adjustment is performed automatically. The Data value is returned from 10 to 0 after finishing the adjustment. It takes for 2-3 minutes to complete the adjustment.
5. Check proper white balance and gray scale are obtained in the selected input mode.
6. Select Group "930", if the value of each lamp mode is set "1" as shown in the figure below, the white balance adjustment is performed correctly, if "0", adjustment is not done or failed. Readjust again.

Group-No.	Advanced color mode: Input Adjustment Mode (X, Y)	Data (Initial value)
982 - 1	Advanced color-Auto: PC Dynamic -X	305
982 - 2	Advanced color-Auto: PC Dynamic -Y	325
982 - 11	Advanced color-Auto: PC Standard -X	310
982 - 12	Advanced color-Auto: PC Standard -Y	335
982 - 21	Advanced color-Auto: PC Real -X	315
982 - 22	Advanced color-Auto: PC Real -Y	340
982 - 31	Advanced color-Auto: AV Dynamic -X	305
982 - 32	Advanced color-Auto: AV Dynamic -Y	325
982 - 41	Advanced color-Auto: AV Standard -X	313
982 - 42	Advanced color-Auto: AV Standard -Y	329
982 - 51	Advanced color-Auto: AV Natural -X	313
982 - 52	Advanced color-Auto: AV Natural -Y	329
982 - 61	Advanced color-Auto: AV Cinema -X	314
982 - 62	Advanced color-Auto: AV Cinema -Y	351
983 - 1	Advanced color-Off: PC Dynamic -X	285
983 - 2	Advanced color-Off: PC Dynamic -Y	315
983 - 11	Advanced color-Off: PC Standard -X	290
983 - 12	Advanced color-Off: PC Standard -Y	315
983 - 21	Advanced color-Off: PC Real -X	313
983 - 22	Advanced color-Off: PC Real -Y	329
983 - 31	Advanced color-Off: AV Dynamic -X	285
983 - 32	Advanced color-Off: AV Dynamic -Y	315
983 - 41	Advanced color-Off: AV Standard -X	290
983 - 42	Advanced color-Off: AV Standard -Y	315
983 - 51	Advanced color-Off: AV Natural -X	313
983 - 52	Advanced color-Off: AV Natural -Y	329
983 - 61	Advanced color-Off: AV Cinema -X	314
983 - 62	Advanced color-Off: AV Cinema -Y	351



* Ye Auto: Advanced color Auto

11 Wind sensor calibration

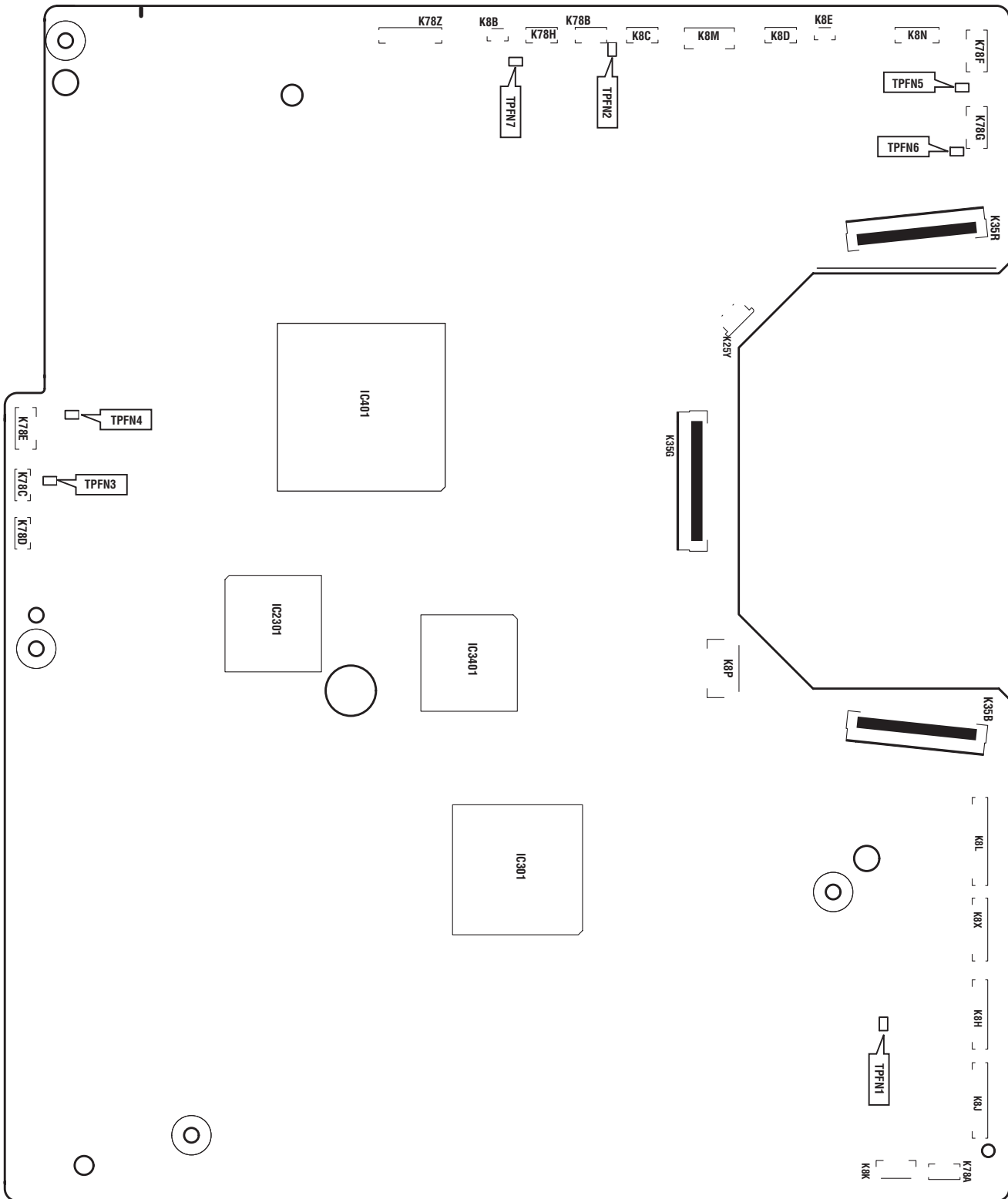
1. Enter the service mode.
2. Select Group “**240**” and No. “**2**”. Confirm the Data value is “**1**”.
 - 0: Wind sensor function Disable
 - 1: Wind sensor function Enable
3. Select Group “**240**” and No. “**0**”.
4. To start the adjustment, change the Data value from “**0**” to “**1**”. After the auto-calibration completed, "OK" will appear on the screen.

IMPORTANT

Before taking this adjustment, you need to replace the air filter with new one or scroll up the filter sheet with make sure that the cabinet, filter unit or projection lens is securely installed.

Test Points and Locations

MAIN BOARD



Service Adjustment Data Table

These initial values are the reference data written from the CPU ROM to memory IC when replaced new memory IC. The adjustment items indicated with “*” are required to readjust following to the “Electrical adjustments”. Other items should be used with the initial data value.

Grp / No.	Item	Function	Range	Initial	Note
0	AD Converter (PW392)				
3	ADC G-GAIN	PC/YCbCr 480i (575i) / YCbCr 480p (575p) / YCbCr 720p (720p50) / YCrCb 1080i (1035i, 1080i50) / SCART	0 - 1023	315/160/165/170/170/305	
4	ADC R-GAIN	PC/YCbCr 480i (575i) / YCbCr 480p (575p) / YCbCr 720p (720p50) / YCrCb 1080i (1035i, 1080i50) / SCART	0 - 1023	315/170/175/175/175/305	
5	ADC B-GAIN	PC/YCbCr 480i (575i) / YCbCr 480p (575p) / YCbCr 720p (720p50) / YCrCb 1080i (1035i, 1080i50) / SCART	0 - 1023	315/170/190/185/185/305	
10	SOGTH	RGB/COMPONENT / SCART	0 - 15	2 / 4 / 4	
11	SOGHYSDIS	RGB/COMPONENT / SCART	0 - 1	1 / 1 / 0	
12	HS1TH	H Sync1 Threshold RGB/COMPONENT / SCART	0 - 7	4 / 4 / 4	
13	HS0TH	H Sync0 Threshold RGB/COMPONENT / SCART	0 - 7	4 / 4 / 4	
10	AD Converter (ISL51002/ISL98001)				
3	ADC G-GAIN	PC/YCbCr 480i (575i) / YCbCr 480p(575p)/YCbCr 720p(720p50) / YCrCb 1080i(1035i, 1080i50)	0 - 1023	260/125/130/125/125	
4	ADC R-GAIN	PC/YCbCr 480i (575i) / YCbCr 480p(575p)/YCbCr 720p(720p50) / YCrCb 1080i(1035i, 1080i50)	0 - 1023	255/125/130/125/125	
5	ADC B-GAIN	PC/YCbCr 480i (575i) / YCbCr 480p(575p)/YCbCr 720p(720p50) / YCrCb 1080i(1035i, 1080i50)	0 - 1023	255/140/150/140/140	
20	Video Decoder				
0	Y Level	Composite 60Hz / S-Video 60Hz / Composite 50Hz / S-Video 50Hz - Y Level (ADC RGB Gain)	0 - 1023	153/153/161/161	
1	C Level	Composite 60Hz / S-Video 60Hz / Composite 50Hz / S-Video 50Hz - C Level (ADC Saturation)	0 - 1023	410/410/440/440	
10	XCXL Parameter	XCXL Level	0 - 4	2	
11	Sync Amp Low	Minimum sync amplitude threshold for HLOCK 1 to 0 transition	0 - 9999	1792	
12	Sync Amp High	Minimum sync amplitude threshold for HLOCK 0 to 1 transition	0 - 9999	4096	
13	Luma Setup Enable	7.5IRE Mode (NTSC only)	0 - 1	0	
14	Anti-Alias Filter	Anti-Alias Filter	0 - 7	4	
15	Anti-Alias Downsample	Anti-Alias Downsample	0 - 3	0	
16	Anti-Alias High Frequency	Anti-Alias High Frequency	0 - 3	3	
20	Comb 3D Cross-Luma Top/Bottom Amplitude	for PAL/SECAM only	0 - 3	3	
30	HDMI (SII9127A)				
100	Equalizer Manual Mode (DVI)	0: Fixed, 1: Manual Effectice only RGB(Digital/AV HDCP) mode	0 - 1	0	
101	Equalizer Manual Data (DVI)	Manual Setting Effectice only RGB(Digital/AV HDCP) mode	0 - 14	0	
110	Equalizer Manual Mode (HDMI)	0: Fixed, 1: Manual Effectice only HDMI mode	0 - 1	0	
111	Equalizer Manual Data (HDMI)	Manual Setting Effectice only HDMI mode	0 - 14	0	
40	General				
0	IP Mode	Set at IP OFF 0: Not used IP Block 1: Used IP Block and IP OFF	0 - 1	1	
1	3:2 PullDown Mode	bit0: Global Motion bit1: Video Motion	1 - 3	1	
2	Detect Film Mode Enable	0: 2:3pull down & 2:2pull down 1: 2:3pull down 2: 2:2pull down	0 - 2	0	
3	NR Enable for Analog YUV	0: Noise Reduction detected with Y and UV motion 1: Noise Reduction detected with Y motion	0 - 1	1	
4	NR Enable for Digital YUV		0 - 1	0	
41	Deinterlacer setting Progressive Mode1, Film Parameter Gr1/Gr2/Gr3				
0	Motion Adaptive Weight Value	<KDEINT>	0 - 255	30/30/30	Gr1:Compsite/S-video
1	Angle Interpolation Level	0: Conservative <====> 4: Aggressive	0 - 4	4/4/4	Gr2:Componet/Scart/PC
2	CUE Low Pass Filter Enable	<CUELPFEN>	0 - 1	0/0/0	Gr3: HDMI
42	Deinterlacer setting Progressive Mode2 Parameter				
0	Motion Adaptive Weight Value	<KDEINT>	0 - 255	0/0/0	
1	Angle Interpolation Level	0: Conservative <====> 4: Aggressive	0 - 4	2/2/2	
2	CUE Low Pass Filter Enable	<CUELPFEN>	0 - 1	0/0/0	
47	Noise Reduction (time) NR L1 Parameter				
0	Noise Pixel Range	<NSRANGEY> / <NSRANGEUV>	0 - 2	1	
1	Noise Region 0	<NSREGIONY0> / <NSREGIONUV0>	0 - 1023	12	
2	Noise Region 1	<NSREGIONY1> / <NSREGIONUV1>	0 - 1023	24	
3	Noise Region 2	<NSREGIONY2> / <NSREGIONUV2>	0 - 1023	40	

Electrical Adjustment

Grp / No.	Item	Function	Range	Initial	Note
4	Noise Gain Level	<NSFILTERY**> / <NSFILTERUV**>	0 - 255	100	
49	Noise Reduction (time)	NR L2 Parameter			
0	Noise Pixel Range	<NSRANGEY> / <NSRANGEUV>	0 - 2	1	
1	Noise Region 0	<NSREGIONY0> / <NSREGIONUV0>	0 - 1023	12	
2	Noise Region 1	<NSREGIONY1> / <NSREGIONUV1>	0 - 1023	24	
3	Noise Region 2	<NSREGIONY2> / <NSREGIONUV2>	0 - 1023	40	
4	Noise Gain Level	<NSFILTERY**> / <NSFILTERUV**>	0 - 255	100	
50	2:2pull down setting				
0	22Film Mode Sensitivity	Film Detection Sensitivity <FILMSTVT2>	1 - 5	4	
1	22Film Mode Threshold Low	<FILMTHRD22A>	0 - 1023	80	
2	22Film Mode Threshold High	<FILMTHRD22B>	0 - 1023	120	
3	Video Motion Window Start X	<VOFSTARX>	0 - 255	10	
4	Video Motion Window Stop X	<VOFSTOPX>	0 - 255	10	
5	Video Motion Window Start Y	<VOFSTARY>	0 - 255	10	
6	Video Motion Window Stop Y	<VOFSTOPY>	0 - 255	10	
51	2:3pull down setting				
0	Global Motion Sensitivity	Film Detection Sensitivity <FILMSTVT23>	1 - 5	4	
1	Video Motion Sensitivity	Film Detection Sensitivity <VOFSTVT>	1 - 5	4	
2	Video Motion Threshold Low	<VOFTHRDA>	0 - 1023	120	
3	Video Motion Threshold High	<VOFTHRDB>	0 - 1023	180	
4	Global Motion 23Film Threshold	<FILMTHRD23>	0 - 1023	100	
5	Global Motion Window Start X	<GMDSTARX>	0 - 255	10	
6	Global Motion Window Stop X	<GMDSTOPX>	0 - 255	10	
7	Global Motion Window Start Y	<GMDSTARY>	0 - 255	10	
8	Global Motion Window Stop Y	<GMDSTOPY>	0 - 255	10	
55	LTI / CTI				
0	Video Enhancement Enable	VEHEN	0 - 1	1	
1	DLTI Gain	DLTIGAIN	0 - 15	3	
2	DLTI Frequency	DLTIFREQ	0 - 3	2	
3	Bypass Anti-Alias Filter	DTIBYPASSAAL	0 - 1	0	
4	Lower DCTI Frequency	LOWERDCTIFREQ	0 - 1	1	
5	DCTI Gain	DCTIGAIN	0 - 15	4	
6	DCTI Frequency	DCTIFREQ	0 - 3	0	
7	Color Shift Limit	COLORSHIFTLMT	0 - 3	3	
60	Sub Image				
0	Center Contrast	Group Composite / S-Video / Component / Digital / D-RGB-Video	0 - 1023	534/534/578/492/492/534/ 534/492/492/534/492	
1	Center Brightness	/AnalogRGB / RGB-Video / HDCP-PC / HDCP-AV / SCART / PJ-Net	0 - 1023	512/512/512/512/512/496 496/512/512/496/512	
2	Center Color	Value = (Menu Value - Menu Center) x Alpha / 10 + Center (Effective Range)	0 - 1023	512/512/512/512/512/512 /512/512/512/512/512	
3	Center Tint	Contrast [Max] 1023 [Min] 0	0 - 180	90/90/90/90/90/90/90/90/90/90	
4	Fixed Sharpness(Up Scaling)	Brightness [Max] 1023 [Min] 0	0-37	5/5/5/5/5/ 5/5/5/5/5	
5	Fixed Sharpness(Down Scaling)	Color [Max] 1023 [Min] 0	0-37	8/8/8/8/8/ 8/8/8/8/8	
6	Center Sharpness(No FPGA)	Tint [Max] 180 [Min] 0	0-37	16/16/16/16/16/16/ 16/16/16/16/16	
7	Center WB Red	Sharpness [Max] 57 [Min] 0 (Dummy) WB R/G/B [Max] 1023 [Min] 0 BB R/G/B [Max] 1023 [Min] 0	0 - 1023	512/512/512/512/512/512 /512/512/512/512/512	
8	Center WB Green	Fixed Sharpness Up/Down [Max] 37 [Min] 0	0 - 1023	512/512/512/512/512/512 /512/512/512/512/512	
9	Center WB Blue		0 - 1023	512/512/512/512/512/512 /512/512/512/512/512	
10	Center BB Red		0 - 1023	512/512/512/512/512/512 /512/512/512/512/512	
11	Center BB Green		0 - 1023	512/512/512/512/512/512 /512/512/512/512/512	
12	Center BB Blue		0 - 1023	512/512/512/512/512/512 /512/512/512/512/512	
13	Alpha Contrast		0 - 1000	60/60/60/60/60/60/ 60/60/60/60/60	
14	Alpha Brightness		0 - 1000	90/90/90/90/90/90/ 90/90/90/90/90	
15	Alpha Color		0 - 1000	140/140/140/140/140/140 /140/140/140/140/140	
16	Alpha Tint		0 - 1000	10/10/10/10/10/10/ 10/10/10/10/10	
17	Alpha Sharpness		0 - 1000	10/10/10/10/10/10/ 10/10/10/10/10	
18	Alpha WB Red		0 - 1000	40/40/40/40/40/40/ 40/40/40/40/40	
19	Alpha WB Green		0 - 1000	40/40/40/40/40/40/ 40/40/40/40/40	
20	Alpha WB Blue		0 - 1000	40/40/40/40/40/40/ 40/40/40/40/40	
21	Alpha BB Red		0 - 1000	20/20/20/20/20/20/ 20/20/20/20/20	

Electrical Adjustment

Grp / No.	Item	Function	Range	Initial	Note
22	Alpha BB Green		0 - 1000	20/20/20/20/20/20/20/20/20/20	
23	Alpha BB Blue		0 - 1000	20/20/20/20/20/20/20/20/20/20	
80	FINE FPGA-Setting				
0	UV DLT		0 - 31	3	
1	UV Gain		0 - 2047	1030	
2	UV SFT		0 - 32767	6180	
3	Demo On/Off	Dem mode On/Off 1: Display, 0: No display	0 - 1	0	
4	Demo Mode	Mode 0: Demo0, 1: Demo1	0 - 7	0	
5	Area Big Chg	Area Id	0 - 4095	67	
6	Area Small Chg	Area Id	0 - 4095	67	
7	Area Chg Sens	Area Id	0 - 4095	150	
8	Show Mode	Test Mode 0: Normal, 1: SHW1, 2:SHW2, 3:Test	0 - 3	0	
9	AI_Calc_Mode	AI Calculation	0 - 2	2	
230	DATA_SHIFT		0 - 7	4	
232	DOT_CKSW		0 - 1	0	
81	FINE FPGA-Color Management				
0	YRange		0 - 32	8	
1	HueRange		0 - 20	10	
2	GainRange		0 - 50	30	
3	GM_MinSlope	Gamma Mini Slope x 100	0 - 10	3	
4	GM_MaxSlope	Gamma Max Slope x 10	10 - 30	18	
5	GM_Converge	Gamma Converge x 10	1 - 5	3	
6	Not used				
7	Not used				
8	COLM_GET_KIND_Y_ud	No. of Acquire Points	1 - 9	9	
9	Not used				
10	Not used				
11	SameHue		1 - 10	3	
12	Cut_UVNorm		0 - 64	5	
13	Cur_MinY		0 - 127	0	
14	Cur_MaxY		128 - 255	255	
15	Same_Y		0 - 63	24	
16	Conv_Y		0 - 127	64	
17	WB_Limit 0		0 - 255	4	
18	WB_Limit 1		0 - 255	40	
19	WB_Limit 2		0 - 255	41	
20	WB_Limit 3		0 - 255	41	
21	WB_Limit 4		0 - 255	41	
22	WB_Limit 8		0 - 255	41	
23	WB_Limit In		0 - 255	14	
24	WB_Limit Out		0 - 255	20	
25	WB_Limit PFlg		0 - 1	1	
82	FPGA - Ye Overlay				
0	DEC_R	Ye Overlay Control: R Coefficient(-)	0 - 255	130	* The value is initialized when the panel type is switched.
1	DEC_G	Ye Overlay Control: G Coefficient(-)	0 - 255	30	
2	B_RATIO	Ye Overlay Control: B Coefficient(+)	0 - 255	15	15
3	SAT_SLOPE	Ye Overlay Control: Coefficient(Saturation)	0 - 255	71	
4	R_SLOPE	Ye Overlay Control: Coefficient(R-tint)	0 - 255	16	
5	G_SLOPE	Ye Overlay Control: Coefficient(G-tint)	0 - 255	16	
6	LUM_MAX	Ye Overlay Control: Coefficient(Max) PC-Dynamic	0 - 255	255	255
7	LUM_MAX	Ye Overlay Control: Coefficient(Max) PC-Standard	0 - 255	255	255
8	LUM_MAX	Ye Overlay Control: Coefficient(Max) PC-Real	0 - 255	255	255
9	LUM_MAX	Ye Overlay Control: Coefficient(Max) AV-Dynamic	0 - 255	255	255
10	LUM_MAX	Ye Overlay Control: Coefficient(Max) AV-Standard	0 - 255	255	255
11	LUM_MAX	Ye Overlay Control: Coefficient(Max) AV-Natural	0 - 255	255	255
12	LUM_MAX	Ye Overlay Control: Coefficient(Max) AV-Cinema	0 - 255	255	255
13	LUM_MIN	Ye Overlay Control: Coefficient(Min) PC-Dynamic	0 - 255	0	0
14	LUM_MIN	Ye Overlay Control: Coefficient(Min) PC-Standard	0 - 255	0	0
15	LUM_MIN	Ye Overlay Control: Coefficient(Min) PC-Real	0 - 255	0	0
16	LUM_MIN	Ye Overlay Control: Coefficient(Min) AV-Dynamic	0 - 255	0	0
17	LUM_MIN	Ye Overlay Control: Coefficient(Min) AV-Standard	0 - 255	0	0
18	LUM_MIN	Ye Overlay Control: Coefficient(Min) AV-Natural	0 - 255	0	0
19	LUM_MIN	Ye Overlay Control: Coefficient(Min) AV-Cinema	0 - 255	0	0
20	YE_SENS	Ye Overlay Control: Time Constant	0 - 255	4	
21	YE_TESTFLG	Ye Overlay Control: Test Flag	0 - 255	3	
22	DAC_MAX	Not used	0 - 255	255	
23	DAC_MIN	Not used	0 - 255	0	

Electrical Adjustment

Grp / No.	Item	Function	Range	Initial	Note
24	DAC_UseMin	DAC Level at Power ON	0 - 255	0	
25	YE_FIX_VAL	Ye Overlay Control: Manual value at Fix PC-Dynamic	0 - 255	60	
26	YE_FIX_VAL	Ye Overlay Control: Manual value at Fix PC-Standard	0 - 255	60	
27	YE_FIX_VAL	Ye Overlay Control: Manual value at Fix PC-Real	0 - 255	60	
28	YE_FIX_VAL	Ye Overlay Control: Manual value at Fix AV-Dynamic	0 - 255	60	
29	YE_FIX_VAL	Ye Overlay Control: Manual value at Fix AV-Standard	0 - 255	60	
30	YE_FIX_VAL	Ye Overlay Control: Manual value at Fix AV-Natural	0 - 255	60	
31	YE_FIX_VAL	Ye Overlay Control: Manual value at Fix AV-Cinema	0 - 255	60	
32	DAC_RangeMax	DAC Range Max.	0 - 255	255	
33	DAC_RangeMin	DAC Range Min.	0 - 255	32	
34	P_PWM_WIDTH	Panel PWM: Output Width	0 - 16383	600	
35	DAC_LEVEL(YEAUTO_YE_LVL)	DAC Level Forced Setting(Ye Auto)	0 - 255	255	
36	YE_APLUsed	APL Used Rate(%) at YE_VAL=100%	0 - 255	20	
37	YE_APLoff	APL Max(%) at YE_VAL= 0%	0 - 255	0	
38	YE_FIX_VAL_SW	Ye Overlay Control: Manual value Select at Fix PC-Dynamic	0 - 1	1	
39	YE_FIX_VAL_SW	Ye Overlay Control: Manual value Select at Fix PC-Standard	0 - 1	1	
40	YE_FIX_VAL_SW	Ye Overlay Control: Manual value Select at Fix PC-Real	0 - 1	1	
41	YE_FIX_VAL_SW	Ye Overlay Control: Manual value Select at Fix AV-Dynamic	0 - 1	1	
42	YE_FIX_VAL_SW	Ye Overlay Control: Manual value Select at Fix AV-Standard	0 - 1	1	
43	YE_FIX_VAL_SW	Ye Overlay Control: Manual value Select at Fix AV-Natural	0 - 1	1	
44	YE_FIX_VAL_SW	Ye Overlay Control: Manual value Select at Fix AV-Cinema	0 - 1	1	
45	YE_APL_A0	Min: X-Cordinate at Point 0(%)	0 - 127	30	
46	YE_APL_A1	Min: X-Cordinate at Point 1(%)	0 - 127	62	
47	YE_APL_A2	Min: X-Cordinate at Point 2(%)	0 - 127	75	
48	YE_APL_A3	Min: X-Cordinate at Point 3(%)	0 - 127	90	
49	YE_APL_A4	Min: X-Cordinate at Point 4(%)	0 - 127	100	
50	YE_GAIN_A0	Min: Y-Cordinate at Point 0(%)	-256 - 255	-20	
51	YE_GAIN_A1	Min: Y-Cordinate at Point 1(%)	-256 - 255	-12	
52	YE_GAIN_A2	Min: Y-Cordinate at Point 2(%)	-256 - 255	-4	
53	YE_GAIN_A3	Min: Y-Cordinate at Point 3(%)	-256 - 255	13	
54	YE_GAIN_A4	Min: Y-Cordinate at Point 4(%)	-256 - 255	30	
55	YE_APL_B0	Max: X-Cordinate at Point 0(%)	0 - 127	8	
56	YE_APL_B1	Max: X-Cordinate at Point 1(%)	0 - 127	19	
57	YE_APL_B2	Max: X-Cordinate at Point 2(%)	0 - 127	30	
58	YE_APL_B3	Max: X-Cordinate at Point 3(%)	0 - 127	38	
59	YE_APL_B4	Max: X-Cordinate at Point 4(%)	0 - 127	45	
60	YE_GAIN_B0	Max: Y-Cordinate at Point 0(%)	-256 - 255	20	
61	YE_GAIN_B1	Max: Y-Cordinate at Point 1(%)	-256 - 255	26	
62	YE_GAIN_B2	Max: Y-Cordinate at Point 2(%)	-256 - 255	43	
63	YE_GAIN_B3	Max: Y-Cordinate at Point 3(%)	-256 - 255	70	
64	YE_GAIN_B4	Max: Y-Cordinate at Point 4(%)	-256 - 255	100	
65	YE_APL_C0	Detect Coefficient: X-Cordinate at Point 0(%)	0 - 127	7	
66	YE_APL_C1	Detect Coefficient: X-Cordinate at Point 1(%)	0 - 127	25	
67	YE_APL_C2	Detect Coefficient: X-Cordinate at Point 2(%)	0 - 127	40	
68	YE_APL_C3	Detect Coefficient: X-Cordinate at Point 3(%)	0 - 127	50	
69	YE_APL_C4	Detect Coefficient: X-Cordinate at Point 4(%)	0 - 127	60	
70	YE_EXP_C0	Detect Coefficient: Y-Cordinate at Point 0(%)	0 - 511	300	
71	YE_EXP_C1	Detect Coefficient: Y-Cordinate at Point 1(%)	0 - 511	278	
72	YE_EXP_C2	Detect Coefficient: Y-Cordinate at Point 2(%)	0 - 511	207	
73	YE_EXP_C3	Detect Coefficient: Y-Cordinate at Point 3(%)	0 - 511	120	
74	YE_EXP_C4	Detect Coefficient: Y-Cordinate at Point 4(%)	0 - 511	100	
75	YEOFF_YE_SW	Data Select at Ye Off 0:Fixed :YEOFF_YE_LVL, 1:DAC Calc Result: g_ans_fixval	0 - 1	1	
76	YEOFF_YE_LVL	Forced DAC Level Set for Ye Off	0 - 255	255	
77	COLOR_AJY_YEAUTO_PC	Color Adj Level (For Ye Auto PC)	0 - 16383	100	100
78	COLOR_AJY_YEAUTO_AV	Color Adj Level (For Ye Auto AV)	0 - 16383	100	100
79	COLOR_AJY_YEOFF_PC	Color Adj Level (For Ye Off PC)	0 - 16383	128	128
80	COLOR_AJY_YEOFF_AV	Color Adj Level (For Ye Off AV)	0 - 16383	128	128
81	Ye_Calc_Mode	0: Not use AI-SENS, 1: Use AI-SENS	0 - 1	0	
82	DAT_YEBG_OFFOT	0: On, 1: Off	0 - 1	0	
83	YE_MIN_VAL	Ye value at Off-Min	0 - 255	0	
83	FINE FPGA Sharpness		0 - 127	0	
0	Sharpness MIN [PC-SD]		0 - 127	0	
1	Sharpness MIN [PC-HD]		0 - 127	0	
2	Sharpness MIN [AV-SD]		0 - 127	0	
3	Sharpness MIN [AV-HD]		0 - 127	0	
4	Sharpness CENTER [PC-SD]		0 - 127	35	
5	Sharpness CENTER [PC-HD]		0 - 127	30	
6	Sharpness CENTER [AV-SD]		0 - 127	46	

Electrical Adjustment

Grp / No.	Item	Function	Range	Initial	Note
7	Sharpness CENTER [AV-HD]		0 - 127	35	
8	Sharpness MAX [PC-SD]		0 - 127	100	
9	Sharpness MAX [PC-HD]		0 - 127	100	
10	Sharpness MAX [AV-SD]		0 - 127	77	
11	Sharpness MAX [AV-SD]		0 - 127	70	
84 FINE FPGA - Blending					
0	BKMOD	0: Blending Mode (NORMAL) 4 overlay off 1: Blanding Mode (BLANKING) 4 overlay off 2: Blending Mode (NORMAL) 4 overlay on 3: Blending Mode (BLANKING) 4 overlay on	0 - 3	3	
1	BLD_I_SIZE_H	Inner Frame H	0 - 255	2	
2	BLD_I_SIZE_V	Inner Frame V	0 - 255	2	
3	BLD_CURVE	CURVE	0 - 255	0	
4	RGB_GAIN	PC-Dynamic	0 - 511	256	
5	RGB_GAIN	PC-Standard	0 - 511	256	
6	RGB_GAIN	PC-Real	0 - 511	256	
7	RGB_GAIN	AV-Dynamic	0 - 511	256	
8	RGB_GAIN	AV-Standard	0 - 511	256	
9	RGB_GAIN	AV-Natural	0 - 511	256	
10	RGB_GAIN	AV-Cinema	0 - 511	256	
11	Bld_Exp_Int	PC-Dynamic	0 - 255	64	
12	Bld_Exp_Int	PC-Standard	0 - 255	125	
13	Bld_Exp_Int	PC-Real	0 - 255	128	
14	Bld_Exp_Int	AV-Dynamic	0 - 255	128	
15	Bld_Exp_Int	AV-Standard	0 - 255	128	
16	Bld_Exp_Int	AV-Natural	0 - 255	128	
17	Bld_Exp_Int	AV-Cinema	0 - 255	128	
18	Bld_off_mult	PC-Dynamic	0 - 255	64	
19	Bld_off_mult	PC-Standard	0 - 255	64	
20	Bld_off_mult	PC-Real	0 - 255	64	
21	Bld_off_mult	AV-Dynamic	0 - 255	64	
22	Bld_off_mult	AV-Standard	0 - 255	64	
23	Bld_off_mult	AV-Natural	0 - 255	64	
24	Bld_off_mult	AV-Cinema	0 - 255	64	
25	BLD_N_DT_NO		0 - 15	15	
26	MultimgColor	PC-Dynamic	0 - 47	15	
27	MultimgColor	PC-Standard	0 - 47	15	
28	MultimgColor	PC-Real	0 - 47	15	
29	MultimgColor	AV-Dynamic	0 - 47	15	
30	MultimgColor	AV-Standard	0 - 47	15	
31	MultimgColor	AV-Natural	0 - 47	15	
32	MultimgColor	AV-Cinema	0 - 47	15	
33	CcalmgColor	PC-Dynamic	0 - 47	15	
34	CcalmgColor	PC-Standard	0 - 47	15	
35	CcalmgColor	PC-Real	0 - 47	15	
36	CcalmgColor	AV-Dynamic	0 - 47	15	
37	CcalmgColor	AV-Standard	0 - 47	15	
38	CcalmgColor	AV-Natural	0 - 47	15	
39	CcalmgColor	AV-Cinema	0 - 47	15	
85 Blending offset					
0	BLD_4OFFSETDM		0 - 3	0	
1	BLD_LT_OFFSETTR		-32768 - 32676	0	
2	BLD_LT_OFFSETG		-32768 - 32676	0	
3	BLD_LT_OFFSETB		-32768 - 32676	0	
4	BLD_RT_OFFSETTR		-32768 - 32676	0	
5	BLD_RT_OFFSETG		-32768 - 32676	0	
6	BLD_RT_OFFSETB		-32768 - 32676	0	
7	BLD_UP_OFFSETTR		-32768 - 32676	0	
8	BLD_UP_OFFSETG		-32768 - 32676	0	
9	BLD_UP_OFFSETB		-32768 - 32676	0	
10	BLD_DN_OFFSETTR		-32768 - 32676	0	
11	BLD_DN_OFFSETG		-32768 - 32676	0	
12	BLD_DN_OFFSETB		-32768 - 32676	0	
89 Color Matching - Tagrget Data					
0	Target Red	Dynamic-X	0 - 1000	655	
1	Target Red	Dynamic-Y	0 - 1000	340	
2	Target Red	Standard-X	0 - 1000	655	
3	Target Red	Standard-Y	0 - 1000	340	

Electrical Adjustment

Grp / No.	Item	Function	Range	Initial	Note
4	Target Red	Real/Natural-X	0 - 1000	655	
5	Target Red	Real/Natural-Y	0 - 1000	340	
6	Target Red	Cinema-X	0 - 1000	655	
7	Target Red	Cinema-Y	0 - 1000	340	
20	Target Green	Dynamic-X	0 - 1000	325	
21	Target Green	Dynamic-Y	0 - 1000	630	
22	Target Green	Standard-X	0 - 1000	325	
23	Target Green	Standard-Y	0 - 1000	630	
24	Target Green	Real/Natural-X	0 - 1000	310	
25	Target Green	Real/Natural-Y	0 - 1000	370	
26	Target Green	Cinema-X	0 - 1000	310	
27	Target Green	Cinema-Y	0 - 1000	670	
40	Target Blue	Dynamic-X	0 - 1000	150	
41	Target Blue	Dynamic-Y	0 - 1000	85	
42	Target Blue	Standard-X	0 - 1000	150	
43	Target Blue	Standard-Y	0 - 1000	85	
44	Target Blue	Real/Natural-X	0 - 1000	150	
45	Target Blue	Real/Natural-Y	0 - 1000	85	
46	Target Blue	Cinema-X	0 - 1000	150	
47	Target Blue	Cinema-Y	0 - 1000	85	
60	Target White	Dynamic-X	0 - 1000	302	
61	Target White	Dynamic-Y	0 - 1000	349	
62	Target White	Standard-X	0 - 1000	305	
63	Target White	Standard-Y	0 - 1000	335	
64	Target White	Real/Natural-X	0 - 1000	310	
65	Target White	Real/Natural-Y	0 - 1000	330	
66	Target White	Cinema-X	0 - 1000	314	
67	Target White	Cinema-Y	0 - 1000	351	
100	Tagrget Data Update	Update the adjusted target data when the value is set to 10.	0 -10	-	
90	SW-FPGA				
0	LVDS_ADJ_PHASE		0 - 255	32	
1	TSEL		0 - 3	0	
2	RST OFF		0 - 1	0	
100	CLK_SHIFT_STATUS		-	-	Read only
100	CXA7010				
0	G SIG Center		0 - 127	107	
1	B SIG Center		0 - 127	107	
2	R SIG Center		0 - 127	107	
3	G Bright Control		0 - 255	0	
4	B Bright Control		0 - 255	0	
5	R Bright Control		0 - 255	0	
6	G Gain Control		0 - 255	208	
7	B Gain Control		0 - 255	208	
8	R Gain Control		0 - 255	208	
9	G VCOM Control		0 - 255	123	
10	B VCOM Control		0 - 255	123	
11	R VCOM Control		0 - 255	123	
12	G SID Control A		0 - 255	15	
13	B SID Control A		0 - 255	15	
14	R SID Control A		0 - 255	15	
15	G SID Control B		0 - 255	15	
16	B SID Control B		0 - 255	15	
17	R SID Control B		0 - 255	15	
18	G SID Control C		0 - 255	152	
19	B SID Control C		0 - 255	152	
20	R SID Control C		0 - 255	152	
21	G SID Control D		0 - 255	0	
22	B SID Control D		0 - 255	0	
23	R SID Control D		0 - 255	0	
24	G SID Control E		0 - 255	0	
25	B SID Control E		0 - 255	0	
26	R SID Control E		0 - 255	0	
27	G SID Control F		0 - 255	0	
28	B SID Control F		0 - 255	0	
29	R SID Control F		0 - 255	0	
30	G SIGFRINV		0 - 255	0	
31	B SIGFRINV		0 - 255	1	
32	R SIGFRINV		0 - 255	1	

Electrical Adjustment

Grp / No.	Item	Function	Range	Initial	Note
33	G SID1FRINV		0 - 255	0	
34	R SID1FRINV		0 - 255	1	
35	B SID1FRINV		0 - 255	1	
36	G SID2FRINV		0 - 255	0	
37	R SID2FRINV		0 - 255	1	
38	B SID2FRINV		0 - 255	1	
101	CXD2550_TG				
0	SHP_R		0 - 127	30	
1	SHP_G		0 - 127	30	
2	SHP_B		0 - 127	30	
3	SCANM		0 - 3	2	
4	FRPM	0 or 2	0 / 2	2	* Common voltage adj.
5	HST_R_PC		0 - 127	7	
6	HST_G_PC		0 - 127	7	
7	HST_B_PC		0 - 127	7	
8	HST_R_PF		0 - 127	12	
9	HST_G_PF		0 - 127	12	
10	HST_B_PF		0 - 127	12	
11	DCK1_R_W		0 - 255	10	
12	DCK1_R_F		0 - 127	24	
13	DCK2_R_W		0 - 255	10	
14	DCK2_R_F		0 - 127	24	
15	DCK3_R_W		0 - 255	10	
16	DCK3_R_F		0 - 127	0	
17	DCK4_R_W		0 - 255	10	
18	DCK4_R_F		0 - 127	0	
19	DCK1_G_W		0 - 255	10	
20	DCK1_G_F		0 - 127	24	
21	DCK2_G_W		0 - 255	10	
22	DCK2_G_F		0 - 127	24	
23	DCK3_G_W		0 - 255	10	
24	DCK3_G_F		0 - 127	0	
25	DCK4_G_W		0 - 255	10	
26	DCK4_G_F		0 - 127	0	
27	DCK1_B_W		0 - 255	10	
28	DCK1_B_F		0 - 127	24	
29	DCK2_B_W		0 - 255	10	
30	DCK2_B_F		0 - 127	24	
31	DCK3_B_W		0 - 255	10	
32	DCK3_B_F		0 - 127	0	
33	DCK4_B_W		0 - 255	10	
34	DCK4_B_F		0 - 127	0	
102	CXD3550_GAM				
0	GAM_ON		0 - 1	1	
103	CXD3550_LOCK				
0	LOCK_ON		0 - 1	1	
104	CXD255_USC1				
0	USC1_GAIN_R		0 - 1023	512	
1	USC1_GAIN_G		0 - 1023	512	
2	USC1_GAIN_B		0 - 1023	512	
3	USC1_BRIGHT_R		0 - 8191	0	
4	USC1_BRIGHT_G		0 - 8191	0	
5	USC1_BRIGHT_B		0 - 8191	0	
6	USC2_GAIN_R		0 - 1023	512	
7	USC2_GAIN_G		0 - 1023	512	
8	USC2_GAIN_B		0 - 1023	512	
9	USC2_BRIGHT_R		0 - 8191	0	
10	USC2_BRIGHT_G		0 - 8191	0	
11	USC2_BRIGHT_B		0 - 8191	0	
105	CXD2550_WEC				
0	SVCJD_WEC_ON		0 - 1	1	
1	SVCJD_WEC_RA_DWN		0 - 1	0	
2	SVCJD_WEC_GA_DWN		0 - 1	0	
3	SVCJD_WEC_BA_DWN		0 - 1	0	
4	SVCJD_WEC_RA_RGT		0 - 1	0 / 1	

Electrical Adjustment

Grp / No.	Item	Function	Range	Initial	Note
5	SVCJD_WEC_GA_RGT	Type L / Type R	0 - 1	0 / 1	
6	SVCJD_WEC_BA_RGT		0 - 1	0 / 1	
7	SVCJD_WEC_RB_DWN		0 - 1	1	
8	SVCJD_WEC_GB_DWN		0 - 1	1	
9	SVCJD_WEC_BB_DWN		0 - 1	1	
10	SVCJD_WEC_RB_RGT		0 - 1	1 / 0	
11	SVCJD_WEC_GB_RGT	Type L / Type R	0 - 1	1 / 0	
12	SVCJD_WEC_BB_RGT		0 - 1	1 / 0	
106	CXD3550_VXT				
0	VXT_ON		0 - 1	1	
1	VXT_LDAT1		0 - 255	64	
2	VXT_LDAT2		0 - 255	85	
3	VXT_LDAT3		0 - 255	96	
4	VXT_LDAT4		0 - 255	128	
5	VXT_LDAT5		0 - 255	160	
6	VXT_LDAT12_H		0 - 255	6	
7	VXT_LDAT12_L		0 - 255	24	
8	VXT_LDAT23_H		0 - 255	11	
9	VXT_LDAT23_L		0 - 255	162	
10	VXT_LDAT34_H		0 - 255	4	
11	VXT_LDAT34_L		0 - 255	0	
12	VXT_LDAT45_H		0 - 255	4	
13	VXT_LDAT45_L		0 - 255	0	
14	VXT_RDATU1		0 - 255	32	
15	VXT_RDATU2		0 - 255	23	
16	VXT_RDATU3		0 - 255	24	
17	VXT_RDATU4		0 - 255	30	
18	VXT_RDATU5		0 - 255	22	
19	VXT_RDATL1		0 - 255	16	
20	VXT_RDATL2		0 - 255	11	
21	VXT_RDATL3		0 - 255	12	
22	VXT_RDATL4		0 - 255	12	
23	VXT_RDATL5		0 - 255	11	
24	VXT_GDATU1		0 - 255	32	
25	VXT_GDATU2		0 - 255	23	
26	VXT_GDATU3		0 - 255	24	
27	VXT_GDATU4		0 - 255	30	
28	VXT_GDATU5		0 - 255	22	
29	VXT_GDATL1		0 - 255	16	
30	VXT_GDATL2		0 - 255	11	
31	VXT_GDATL3		0 - 255	12	
32	VXT_GDATL4		0 - 255	12	
33	VXT_GDATL5		0 - 255	11	
34	VXT_BDATU1		0 - 255	32	
35	VXT_BDATU2		0 - 255	23	
36	VXT_BDATU3		0 - 255	24	
37	VXT_BDATU4		0 - 255	30	
38	VXT_BDATU5		0 - 255	22	
39	VXT_BDATL1		0 - 255	16	
40	VXT_BDATL2		0 - 255	11	
41	VXT_BDATL3		0 - 255	12	
42	VXT_BDATL4		0 - 255	12	
43	VXT_BDATL5		0 - 255	11	
44	VXT_TH_ON		0 - 15	15	
45	VXT_TH1		0 - 255	0	
46	VXT_TH2		0 - 255	96	
47	VXT_TH3		0 - 255	187	
48	VXT_TH4		0 - 255	255	
107	CXD3550_SHAD				
0	SHAD_ON		0 - 1	1	
1	SHAD_LDAT1		0 - 255	53	
2	SHAD_LDAT2		0 - 255	106	
3	SHAD_LDAT3		0 - 255	160	
4	SHAD_LDAT12_H		0 - 255	2	
5	SHAD_LDAT12_L		0 - 255	160	
6	SHAD_LDAT23_H		0 - 255	2	
7	SHAD_LDAT23_L		0 - 255	94	
8	SHAD_R_DAT1		0 - 255	19	

Electrical Adjustment

Grp / No.	Item	Function	Range	Initial	Note
9	SHAD_R_DAT2		0 - 255	31	
10	SHAD_R_DAT3		0 - 255	31	
11	SHAD_G_DAT1		0 - 255	19	
12	SHAD_G_DAT2		0 - 255	31	
13	SHAD_G_DAT3		0 - 255	31	
14	SHAD_B_DAT1		0 - 255	19	
15	SHAD_B_DAT2		0 - 255	31	
16	SHAD_B_DAT3		0 - 255	31	
108	CXD3550_SYC				
0	SYC_MASKON		0 - 15	0	
1	SYC_VSMAX		0 - 8191	1480	
109	CXD3550_FMD				
0	FMD_VTFREETH2		0 - 8191	1470	
1	FMD_TLOCKTH2		0 - 8191	1465	
110	CXD3540_CSC				
0	CSC_XH		0 - 1	0	
1	CSC_ON		0 - 1	1	
2	CSC_R_GP1		0 - 511	324	
3	CSC_R_GP2		0 - 511	305	
4	CSC_R_GP3		0 - 511	282	
5	CSC_R_GP4		0 - 511	259	
6	CSC_R_GP5		0 - 511	219	
7	CSC_R_GP6		0 - 511	198	
8	CSC_R_GP7		0 - 511	172	
9	CSC_R_GP8		0 - 511	141	
10	CSC_G_GP1		0 - 511	331	
11	CSC_G_GP2		0 - 511	309	
12	CSC_G_GP3		0 - 511	287	
13	CSC_G_GP4		0 - 511	265	
14	CSC_G_GP5		0 - 511	231	
15	CSC_G_GP6		0 - 511	213	
16	CSC_G_GP7		0 - 511	193	
17	CSC_G_GP8		0 - 511	166	
18	CSC_B_GP1		0 - 511	346	
19	CSC_B_GP2		0 - 511	316	
20	CSC_B_GP3		0 - 511	290	
21	CSC_B_GP4		0 - 511	268	
22	CSC_B_GP5		0 - 511	231	
23	CSC_B_GP6		0 - 511	209	
24	CSC_B_GP7		0 - 511	184	
25	CSC_B_GP8		0 - 511	161	
200	Option				
0	Logo Display Prohibition	0:Menu 1:Forced	0 - 1	0	
1	RS232C Baudrate	0: 19200bps 1: 9600bps	0 - 1	0	
4	CABLE SW	Long Cable 0: Disable 1: Enable	0 - 1	0	
5	PW Debug Command Enable	0: Disable (Sanyo Serial Command Enable) 1: Enable (PW Debug Mode)	0 - 1	0	
6	Device Refresh Disable	0: Enable 1: Disable	0 - 1	0	
8	PJ-NET Hung up check	0: Enable 1: Disable	0 - 1	0	
11	HDCP EDID Setting	0: Pattern1 1: Pattern2 2: Pattern3 3: Pattern4 4: Pattern5	0 - 4	0	
15	LENS SHIFT SETTING	Memorize Lens Position as Center when the value is set to 10.	0 - 10	0	
21	Lamp Warning Time (NORMAL)		1-16	4	
22	Lamp Warning Time (ECO)		1-16	6	
23	Lamp Warning Time (HIGH)	not supported	1-16		
50	Lamp Replacement Display	1:On 0:Off	0 - 1	1	
51	Filter Warning Display	1:On 0:Off	0 - 1	1	
52	Lamp Counter Reset Times	not supported	0 - 255	0	
53	Filter Counter Reset Times	Read only	0 - 255	0	
54	Factory Default Execute Times	Read only	0 - 255	0	
55	Motor Operation Stop	0: Enable 1: Disable	0 - 1	0	
58	Lamp Go Out	Lamp goes out	0 - 1	0	
63	Source Search Enable	0: Disable 1: Enable	0 - 1	1	
64	Input Search Skip Enable	0: Disable 1: Enable	0 - 1	1	

Electrical Adjustment

Grp / No.	Item	Function	Range	Initial	Note
70	ADC Device Select for Analog PC	0 = ISL51002, 1 = PW392 AFE	0 - 1	0	
71	ADC Device Select for Component	0 = ISL51002, 1 = PW392 AFE	0 - 1	0	
72	Component/RGB Auto SW	0: Disable 1: Enable	0 - 1	1	
80	Destination	Language Set at Shipping 0:English 1:Japanese	0 - 1	0	
95	Flicker 1	0: Disable 1: Enable	0 - 1	0	
96	Flicker 2		0 - 15	8	
100	Disable Auto Picture Control	0 : Normal operation 1 : Auto Picture Control Off	0 - 1	Initial: 1 Shipping 0	
110	Monitor Output during Cooling	0: On 1: Off	0 - 1	0	
112	Monitor Out Link with Video Mute	0: Not link 1: Link	0 - 1	1	
120	HDMI Cont at Standby	0: Not control 1: Allow to control	0 - 1	1	
130	Logo Countdown time	0: 30 sec. 1: 20 sec.	0 - 1	0	
140	Offset Add Status	0: Not use Offset addition	-	0	Read only
141	Offset Change	Apply offset value when the value is set to 10.	0 - 10	0	
142	Offset Value	Offset value at Shutdown temp.	-	10	Read only
143	Executed times of Offset Add		-	0	Read only
144	Canceled time of Offset Add		-	0	Read only
170	Power Mgmt Shutdown time	unit: hour	1 - 24	3	
180	CcaTargetLinkedChange	"YCM" lenked function on Color matching Target change	0 - 1	1	
201	Option (Signal)				
0	FrameLock Option	0: Off for PC signals 1: Off for AV signals 3: Normal 4: Normal	0 - 4	4	
1	Dither Enable	0: Disable 1: Enable	0 - 1	0	
3	Field Sens Invert Enable	0: Disable 1: Enable	0 - 1	0	
205	Spread Spectrum				
0	Enable	0: On 1: Off	0 - 1	1	
1	Ratio	0 to 300	0 - 300	200	
2	Frequency	200 to 500	1 - 500	350	
210	Lamp Contorl				
0	Dimmer SW	0:Auto 1:Manual	0 - 1	0	
1	Manual Control	Lamp Power Manual Control (DIMMER_CTRL_LEVEL 0(Dark)-15(Bright))	0 - 15	0	
19	DIMMER_LEVEL_AUTO	Current Y Level (Read only)	-	-	Read only
20	DIMMER_LEVEL_NORMAL	Dim Level at Normal	0 - 15	15	
21	DIMMER_LEVEL_ECO	Dim Level at Eco	0 - 15	0	
23	VOLTAGE_LEVEL	Lamp Voltage (Read only)	-	-	Read only
220	Projector Error Log				
0	Warning_Log_1	Latest Error log	0 - 32767	0	
:	:	:	:	:	
49	Warning_Log_50	50th Error log	0 - 32767	0	
50	Warning_Log Reset	Log is cleared when the value is set to 10.	0 - 10	0	
235	Shutter				
0	PRE_MOTION	Shutter Warm - up Operation (0: Yes, 1: No)	0 - 1	Initial: 1 / Shipping: 0	
1	CMP_TRM	Chattering Detecting Term	0 - 32767	7000	
2	OUT_DLY_TRM	Output Term	0 - 32767	15000	
3	CMP_CHK_CNT	Count of Information Sync	0 - 15	0	
4	OPEN_DLY	Open Output Delay	0 - 63	0	
5	CLOSE_DLY	Close Output Delay	0 - 63	0	
6	Position Check Time	Position Check Time	1 - 255	50	
8	Enable Close Cmd	Shutter Close Command 0: Disable 1: Enable	0 - 1	1	
9	Speed Control	Shutter Speed	0 - 255	0	
10	Shutter Management Upper Time	Shutter Manement Time for Upper limit	180 - 999	480	
240	Flow Calibration				
0	Flow Calibration Exe	Flow Sensor Offset Calibration Start calibration when the value is set to 1.	0 - 1	0	* Wind sensor calibration.
1	Flow Calibration Error Log	Log of Calibration Error (Read only) 255: Not Calibration 0: No Error 10: 1st Calibration Not Stable Airflow 11: 1st Calibration Out of Range 20: 2nd Not Stable Airflow 21: 2nd Out of Range 100: 10th Calibration Not Stable Airflow 101: 10th Calibration Out of Range	-	255	
2	Clog Check Enable	Filter Clogged Detection by Flow Sensor (0: Disable, 1: Enable)	0 - 1	Initial: 0 / Shipping: 1	
4	Time Limit Auto Scroll Enable	Auto Scroll for Manimum Time (0: Disable 1: Enable)	0 - 1	1	

Electrical Adjustment

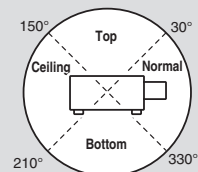
Grp / No.	Item	Function	Range	Initial	Note
5	Clog Auto Coolin Enable	Auto Cleaning at Clogged (0: Disable 1: Eanble)	0 - 1	1	
6	Scroll Fail Auto Cooling Enable	Auto Cleaning at Scroll Error (0: Disable 1: Eanble)	0 - 1	1	
7	Timer Force Scroll Enable	Forced Scroll when Filter Timer reached	0 - 1	1	
241	Flow Ideal Data	(Value will be set after calibration)			
0	Flow Ideal Data 1	Flow Sensor Theory Value No.1 Corresponding to Fan Volt No.1	0 - 1023	301	
1	Flow Ideal Data 2	Flow Sensor Theory Value No.2 Corresponding to Fan Volt No.2	0 - 1023	343	
2	Flow Ideal Data 3	Flow Sensor Theory Value No.3 Corresponding to Fan Volt No.3	0 - 1023	380	
3	Flow Ideal Data 4	Flow Sensor Theory Value No.4 Corresponding to Fan Volt No.4	0 - 1023	400	
4	Flow Ideal Data 5	Flow Sensor Theory Value No.5 Corresponding to Fan Volt No.5	0 - 1023	410	
5	Flow Ideal Data 6	Flow Sensor Theory Value No.6 Corresponding to Fan Volt No.6	0 - 1023	1023	
6	Flow Ideal Data 7	Flow Sensor Theory Value No.7 Corresponding to Fan Volt No.7	0 - 1023	1023	
7	Flow Ideal Data 8	Flow Sensor Theory Value No.8 Corresponding to Fan Volt No.8	0 - 1023	1023	
242	Flow Calib. Fan Volt	(Not Memorized)			
0	Flow Calib Fan Volt 1	Flow Sensor Calibration Fan Voltage No.1 [x10 V]	0 - 255	50	
1	Flow Calib Fan Volt 2	Flow Sensor Calibration Fan Voltage No.2 [x10 V]	0 - 255	70	
2	Flow Calib Fan Volt 3	Flow Sensor Calibration Fan Voltage No.3 [x10 V]	0 - 255	95	
3	Flow Calib Fan Volt 4	Flow Sensor Calibration Fan Voltage No.4 [x10 V]	0 - 255	120	
4	Flow Calib Fan Volt 5	Flow Sensor Calibration Fan Voltage No.5 [x10 V]	0 - 255	138	
5	Flow Calib Fan Volt 6	Flow Sensor Calibration Fan Voltage No.6 [x10 V]	0 - 255	255	
6	Flow Calib Fan Volt 7	Flow Sensor Calibration Fan Voltage No.7 [x10 V]	0 - 255	255	
7	Flow Calib Fan Volt 8	Flow Sensor Calibration Fan Voltage No.8 [x10 V]	0 - 255	255	
243	Flow Calib Effective Difference	(Not Memorized)			
0	Flow Calib Effective Diff 1	Flow Sensor Calibration Range Diff No.1 [ADC]	0 - 1023	180	
1	Flow Calib Effective Diff 2	Flow Sensor Calibration Range Diff No.2 [ADC]	0 - 1023	180	
2	Flow Calib Effective Diff 3	Flow Sensor Calibration Range Diff No.3 [ADC]	0 - 1023	180	
3	Flow Calib Effective Diff 4	Flow Sensor Calibration Range Diff No.4 [ADC]	0 - 1023	180	
4	Flow Calib Effective Diff 5	Flow Sensor Calibration Range Diff No.5 [ADC]	0 - 1023	180	
5	Flow Calib Effective Diff 6	Flow Sensor Calibration Range Diff No.6 [ADC]	0 - 1023	1023	
6	Flow Calib Effective Diff 7	Flow Sensor Calibration Range Diff No.7 [ADC]	0 - 1023	1023	
7	Flow Calib Effective Diff 8	Flow Sensor Calibration Range Diff No.8 [ADC]	0 - 1023	1023	
244	Flow Clog Threshold	(Not Memorized)			
0	Flow Clog Threshold 1	Flow Sensor Clogged Threshold No.1[ADC]	0 - 1023	40	
1	Flow Clog Threshold 2	Flow Sensor Clogged Threshold No.2[ADC]	0 - 1023	46	
2	Flow Clog Threshold 3	Flow Sensor Clogged Threshold No.3[ADC]	0 - 1023	56	
3	Flow Clog Threshold 4	Flow Sensor Clogged Threshold No.4[ADC]	0 - 1023	77	
4	Flow Clog Threshold 5	Flow Sensor Clogged Threshold No.5[ADC]	0 - 1023	84	
5	Flow Clog Threshold 6	Flow Sensor Clogged Threshold No.6[ADC]	0 - 1023	1023	
6	Flow Clog Threshold 7	Flow Sensor Clogged Threshold No.7[ADC]	0 - 1023	1023	
7	Flow Clog Threshold 8	Flow Sensor Clogged Threshold No.8[ADC]	0 - 1023	1023	
245	Filter Roll				
0	Take Up Bend	Remove Filter Flexure Starts when the Value is set to 1.	0 - 1	0	
1	Take Up Times	Remaining Times of Filter Scroll (Read only)	-	-	
2	Take Up Time Reset	Filter Scroll Times Reset Resets Remaining Scroll Times when the Value is set to 10.	0 - 10	0	
3	Scroll Counter Reset Time	Scroll Counter Reset Times (Read only)	0 - 255	-	
4	Scroll Information Cartridge No		0 - 2	0	
246	Flow Clog Monitor	(Read only)			
0	Real Flow Data	Real Flow Data [ADC] (Read only)	0 - 1023	-	
1	Ideal Flow Data	Theory Flow Data (Read only)	0 - 1023	-	
2	Flow Difference Data	Flow Difference Data [ADC] (Read only)	0 - 1023	-	
3	Clog Detect Flow Difference Data	Difference Data to judge the Filter Clogged [ADC] (Read only)	0 - 1023	-	
4	Warn Detect Flow Difference Data	Difference Data to judge the Filter Clogged Warning [ADC] (Read only)	0 - 1023	-	
5	Press Add Data	Add Data by Air Pressure (Read only)	0 - 1023	-	
6	Filter Scroll Timer	Timer for Filter Scroll [hour] (Read only)	0 - 32767	-	
247	Filter Scroll Time	(Read only)			* 9999 means not executed

Electrical Adjustment

Grp / No.	Item	Function	Range	Initial	Note	
0	Filter 1st Cartridge Scroll Time 1		0 - 32767	9999		
1	Filter 1st Cartridge Scroll Time 2		0 - 32767	9999		
2	Filter 1st Cartridge Scroll Time 3		0 - 32767	9999		
3	Filter 1st Cartridge Scroll Time 4		0 - 32767	9999		
4	Filter 1st Cartridge Scroll Time 5	1st Filter Cartridge Used time at N times Scrolling [hour] (N:1-10)	0 - 32767	9999		
5	Filter 1st Cartridge Scroll Time 6		0 - 32767	9999		
6	Filter 1st Cartridge Scroll Time 7		0 - 32767	9999		
7	Filter 1st Cartridge Scroll Time 8		0 - 32767	9999		
8	Filter 1st Cartridge Scroll Time 9		0 - 32767	9999		
9	Filter 1st Cartridge Scroll Time 10		0 - 32767	9999		
10	Filter 2nd Cartridge Scroll Time 1		0 - 32767	9999		
11	Filter 2nd Cartridge Scroll Time 2		0 - 32767	9999		
12	Filter 2nd Cartridge Scroll Time 3		0 - 32767	9999		
13	Filter 2nd Cartridge Scroll Time 4		0 - 32767	9999		
14	Filter 2nd Cartridge Scroll Time 5	2nd Filter Cartridge Used time at N times Scrolling [hour] (N:1-10)	0 - 32767	9999		
15	Filter 2nd Cartridge Scroll Time 6		0 - 32767	9999		
16	Filter 2nd Cartridge Scroll Time 7		0 - 32767	9999		
17	Filter 2nd Cartridge Scroll Time 8		0 - 32767	9999		
18	Filter 2nd Cartridge Scroll Time 9		0 - 32767	9999		
19	Filter 2nd Cartridge Scroll Time 10		0 - 32767	9999		
20	Filter 3rd Cartridge Scroll Time 1		0 - 32767	9999		
21	Filter 3rd Cartridge Scroll Time 2		0 - 32767	9999		
22	Filter 3rd Cartridge Scroll Time 3		0 - 32767	9999		
23	Filter 3rd Cartridge Scroll Time 4		0 - 32767	9999		
24	Filter 3rd Cartridge Scroll Time 5	3rd Filter Cartridge Used time at N times Scrolling [hour] (N:1-10)	0 - 32767	9999		
25	Filter 3rd Cartridge Scroll Time 6		0 - 32767	9999		
26	Filter 3rd Cartridge Scroll Time 7		0 - 32767	9999		
27	Filter 3rd Cartridge Scroll Time 8		0 - 32767	9999		
28	Filter 3rd Cartridge Scroll Time 9		0 - 32767	9999		
29	Filter 3rd Cartridge Scroll Time 10		0 - 32767	9999		
248	Filter Scroll Factor	(Read only)			* 255 means not executed	
0	Filter 1st Cartridge Scroll Factor 1		0 - 255	255		
1	Filter 1st Cartridge Scroll Factor 2		0 - 255	255		
2	Filter 1st Cartridge Scroll Factor 3		0 - 255	255		
3	Filter 1st Cartridge Scroll Factor 4	1st Filter Cartridge Scrolling Factor at N times Scrolling (N:1-10) 0: Manual Scrolling with OSD Menu 1: Auto Scrolling detecting by Filter Clogged 2: Auto Scrolling detecting by specified maximum used time per a sheet	0 - 255	255		
4	Filter 1st Cartridge Scroll Factor 5		0 - 255	255		
5	Filter 1st Cartridge Scroll Factor 6		0 - 255	255		
6	Filter 1st Cartridge Scroll Factor 7		0 - 255	255		
7	Filter 1st Cartridge Scroll Factor 8		0 - 255	255		
8	Filter 1st Cartridge Scroll Factor 9		0 - 255	255		
9	Filter 1st Cartridge Scroll Factor 10		0 - 255	255		
10	Filter 2nd Cartridge Scroll Factor 1			0 - 255	255	
11	Filter 2nd Cartridge Scroll Factor 2			0 - 255	255	
12	Filter 2nd Cartridge Scroll Factor 3			0 - 255	255	
13	Filter 2nd Cartridge Scroll Factor 4	2nd Filter Cartridge Scrolling Factor at N times Scrolling (N:1-10) 0: Manual Scrolling with OSD Menu 1: Auto Scrolling detecting by Filter Clogged 2: Auto Scrolling detecting by specified maximum used time per a sheet	0 - 255	255		
14	Filter 2nd Cartridge Scroll Factor 5		0 - 255	255		
15	Filter 2nd Cartridge Scroll Factor 6		0 - 255	255		
16	Filter 2nd Cartridge Scroll Factor 7		0 - 255	255		
17	Filter 2nd Cartridge Scroll Factor 8		0 - 255	255		
18	Filter 2nd Cartridge Scroll Factor 9		0 - 255	255		
19	Filter 2nd Cartridge Scroll Factor 10		0 - 255	255		
20	Filter 3rd Cartridge Scroll Factor 1		0 - 255	255		
21	Filter 3rd Cartridge Scroll Factor 2		0 - 255	255		
22	Filter 3rd Cartridge Scroll Factor 3		0 - 255	255		
23	Filter 3rd Cartridge Scroll Factor 4	3rd Filter Cartridge Scrolling Factor at N times Scrolling (N:1-10) 0: Manual Scrolling with OSD Menu 1: Auto Scrolling detecting by Filter Clogged 2: Auto Scrolling detecting by specified maximum used time per a sheet	0 - 255	255		
24	Filter 3rd Cartridge Scroll Factor 5		0 - 255	255		
25	Filter 3rd Cartridge Scroll Factor 6		0 - 255	255		
26	Filter 3rd Cartridge Scroll Factor 7		0 - 255	255		
27	Filter 3rd Cartridge Scroll Factor 8		0 - 255	255		
28	Filter 3rd Cartridge Scroll Factor 9		0 - 255	255		
29	Filter 3rd Cartridge Scroll Factor 10		0 - 255	255		
249	Pressure Sensor					
0	Pressure Monitor	Pressure Value with no Compensation (ADC)	-	-	Read only	
1	Pressure Monitor	Pressure Value with Compensation (ADC)	-	-	Read only	
2	Press Offset	Pressure Value Offset	-1023 - 1023	0		
3	Press Calib Effective Diff	Calibration Effective Range (ADC)	0 - 1023	160		

Electrical Adjustment

Grp / No.	Item	Function	Range	Initial	Note		
4	Press Sensor Log	0: Calibration executed correctly 10: Out of Range Offset Min. 20: Out of Range Offset Max. 99: Calibration not excuted	-	99			
250	Fan Voltage Adjustment						
0	Fan 1 Min Adjust (DAC)		0-255	20	* Fan voltage adj.		
1	Fan 1 Max Adjust (DAC)		0-255	240	* Fan voltage adj.		
2	Fan 2 Min Adjust (DAC)		0-255	20	* Fan voltage adj.		
3	Fan 2 Max Adjust (DAC)		0-255	235	* Fan voltage adj.		
4	Fan 3 Min Adjust (DAC)		0-255	20	* Fan voltage adj.		
5	Fan 3 Max Adjust (DAC)		0-255	240	* Fan voltage adj.		
6	Fan 4 Min Adjust (DAC)	DAC Output for Fan Voltage adj.	0-255	15	* Fan voltage adj.		
7	Fan 4 Max Adjust (DAC)	Adjust Tolerance between DAC and Fan Volt. *Lamp Mode: Eco	0-255	230	* Fan voltage adj.		
8	Fan 5 Min Adjust (DAC)		0-255	15	* Fan voltage adj.		
9	Fan 5 Max Adjust (DAC)		0-255	215	* Fan voltage adj.		
10	Fan 6 Min Adjust (DAC)		0-255	15	* Fan voltage adj.		
11	Fan 6 Max Adjust (DAC)		0-255	215	* Fan voltage adj.		
12	Fan 7 Min Adjust (DAC)		0-255	15	* Fan voltage adj.		
13	Fan 7 Max Adjust (DAC)		0-255	240	* Fan voltage adj.		
252	Fan Option						
1	Safety Switch	Safety Application use	0-6	0			
2	Fan Manual Switch	Fan Manual SW (0: Auto 1: Manual)	0-1	0			
3	Fan1 Manual Voltage		0-255	100			
4	Fan2 Manual Voltage		0-255	100			
5	Fan3,4 Manual Voltage		0-255	100			
6	Fan5 Manual Voltage	Manual Adjustment Mode (0.1V)	0-255	100			
7	Fan6 Manual Voltage	*Effective only when Manual SW is 1.	0-255	100			
8	Fan7 Manual Voltage		0-255	100			
9	Fan8 Manual Voltage		0-255	100			
10	Angle Data A	Angle Data A (Read only)	-	-			
11	Angle Data B	Angle Data B (Read only)	-	-			
12	Press Data	Air Pressure Data (Read only)	-	-			
253	Fan Temp Error Setting (Memorized)						
			Normal	Ceiling	Top	Bottom	
5	Temp A Warning (Normal)	Temp A (Room) to judge the Temp Error at Normal	30-100	47	47	47	47
6	Temp B Warning (Normal)	Temp B (Lamp) to judge the Temp Error at Normal	30-100	80	80	80	80
7	Temp C Warning (Normal)	Temp C (Panel) to judge the Temp Error at Normal	30-100	68	68	68	68
8	Temp B-A Warning (Normal)	Temp B - A (Filter Clogged) to judge the Temp Error at Normal	0-100	50	50	50	50
9	Temp C-A Warning (Normal)	Temp C - A (Filter Clogged) to judge the Temp Error at Normal	0-100	32	32	32	32
10	Temp A Warning (Eco)	Temp A (Room) to judge the Temp Error at Eco	30-100	47	47	47	47
11	Temp B Warning (Eco)	Temp B (Lamp) to judge the Temp Error at Eco	30-100	80	80	80	80
12	Temp C Warning (Eco)	Temp C (Panel) to judge the Temp Error at Eco	30-100	68	68	68	68
13	Temp B-A Warning (Eco)	Temp B - A (Filter Clogged) to judge the Temp Error at Eco	0-100	50	50	50	50
14	Temp C-A Warning (Eco)	Temp C - A (Filter Clogged) to judge the Temp Error at Eco	0-100	32	32	32	32
15	Temp A Warning Offset (Temp)		0-100		13		
16	Temp B Warning Offset (Temp)		0-100		13		
17	Temp C Warning Offset (Temp)	Temp Warning Offset (Temp)	0-100		13		
18	Temp B-A Warning Offset (Temp)		0-100		13		
19	Temp C-A Warning Offset (Temp)		0-100		13		
20	Temp A Warning Offset (Time)		0-40		3		
21	Temp B Warning Offset (Time)		0-40		3		
22	Temp C Warning Offset (Time)	Time Warning Offset (Time)	0-40		3		
23	Temp B-A Warning Offset (Time)		0-40		3		
24	Temp C-A Warning Offset (Time)		0-40		3		
254	Fan Control Range Setting (Temp/Spinning)						
			Normal	Ceiling	Top	Bottom	
16	Normal Fan Control Min Temp	Temp Sensor Control Start/End Temp St Normal	20-100	31	31	31	31
17	Normal Fan Control Max Temp		20-100	38	38	38	38



Electrical Adjustment

Grp / No.	Item	Function	Range	Initial	Note
18	Normal Fan1 Min		0000-9990	120	120
19	Normal Fan1 Max		0000-9990	138	138
20	Normal Fan2 Min		0000-9990	90	115
21	Normal Fan2 Max		0000-9990	90	115
22	Normal Fan3,4 Min		0000-9990	70	70
23	Normal Fan3,4 Max		0000-9990	138	138
24	Normal Fan5 Min	Fan Spinning Set at Normal (Min/Max) (0.1V)	0000-9990	95	95
25	Normal Fan5 Max		0000-9990	138	138
26	Normal Fan6 Min		0000-9990	60	60
27	Normal Fan6 Max		0000-9990	138	138
28	Normal Fan7 Min		0000-9990	65	65
29	Normal Fan7 Max		0000-9990	138	138
30	Normal Fan8 Min		0000-9990	80	80
31	Normal Fan8 Max		0000-9990	138	138
32	Eco Fan Control Min Temp	Temp Sensor Control Start/End Temp St Eco	20-100	31	31
33	Eco Fan Control Max Temp		20-100	38	38
34	Eco Fan1 Min		0000-9990	110	110
35	Eco Fan1 Max		0000-9990	110	110
36	Eco Fan2 Min		0000-9990	138	138
37	Eco Fan2 Max		0000-9990	60	70
38	Eco Fan3,4 Min		0000-9990	55	55
39	Eco Fan3,4 Max		0000-9990	138	138
40	Eco Fan5 Min	Fan Spinning Set at Eco (Min/Max) (0.1V)	0000-9990	75	75
41	Eco Fan5 Max		0000-9990	138	138
42	Eco Fan6 Min		0000-9990	50	50
43	Eco Fan6 Max		0000-9990	138	138
44	Eco Fan7 Min		0000-9990	50	50
45	Eco Fan7 Max		0000-9990	138	138
46	Eco Fan8 Min		0000-9990	70	70
47	Eco Fan8 Max		0000-9990	138	138
255	Fan Start/Cooling Setting				
0	Fan1 Initial Volt		0-255	70	
1	Fan2 Initial Volt		0-255	70	
2	Fan3,4 Initial Volt		0-255	70	
3	Fan5 Initial Volt	Fan Start Voltage (0.1V)	0-255	70	
4	Fan6 Initial Volt		0-255	70	
5	Fan7 Initial Volt		0-255	70	
6	Fan8 Initial Volt		0-255	70	
8	Cooling Time	Coolong Time Setting (x30 sec.) 1: 30 3: 90 15: 450	1-15	3	
10	Temp Error Cooling Time	Cooling Time Setting When the Temp Error occurs (x30 sec.) 1: 30 3: 90 15: 450	1-15	3	
11	OnStart Cooling Start Threshold		0-100	50	
12	After shutdown cooling	Cooling Operation after Shut Down (0: No, 1: Yes)	0-1	1	
13	Normal Fan2 Cooling Voltage	Cooling Fan Voltage of Fan2 at Normal x0.1V	0 - 255	50	50
14	Eco Fan2 Cooling Voltage	Cooling Fan Voltage of Fan2 at Eco x0.1V	0 - 255	50	50
259	Fan Air Pressure Setting				
0	Press Source Range Low	Pressure Sensor Control Range (AD)	0-1024	637	
1	Press Source Range High		0-1024	293	
2	Press Fan Add Range High	Add Voltage (0.1V)	0 - 2000	0	
3	Press Fan Add Range Low		0 - 2000	65	
4	Temp C-A Upward High	Temp C-A Upward High	0 - 1000	31	
5	Temp C-A Upward Low	Temp C-A Upward Low	0 - 1000	29	
6	Temp C-A Downward High	Temp C-A Downward High	0 - 1000	20	
7	Temp C-A Downward Low	Temp C-A Downward Low	0 - 1000	16	
260	Auto Calibration (Common)				* Auto calibration
0	Execute Calibration	Execute Calibration when the Value is changed. (For PC White 100%)	0 - 1	0	
1	Loop Count	Max Times of Calibration	1 - 30	8	
2	Auto Status	Calibration Log (Read only) 0: Calibration End Correctly 1: On Adjusting 9: Calibration Error	0 / 1 / 9	0	
3	AutoWait	Waiting time	1 - 20	3	
4	CHECK - Tolerance	Tolerance of Offset	1 - 255	4	
5	Time out wait	Wait Time until Time out [sec.]	1 - 255	20	
261	Auto Calibration (RGB)	PW392-AFE MDL <10bits>			

Electrical Adjustment

Grp / No.	Item	Function	Range	Initial	Note
0	OFFSET AREA H START	Black Level Acq. Area H Start	0 - 1000	975	
1	OFFSET AREA V START	Black Level Acq. Area V Start	0 - 1000	500	
2	GAIN AREA H START	White Level Acq. Area H Start	0 - 1000	25	
3	GAIN AREA V START	White Level Acq. Area V Start	0 - 1000	500	
4	Image AREA H WIDTH	Black/White Level Area Width	0 - 4095	13	
5	Image AREA V HEIGHT	Black/White Level Area Height	0 - 4095	9	
6	OFFSET Target	Black Level Adj target	0 - 1023	20	
7	OFFSET Tolerance	Black Level Adj tolerance	1 - 1023	1	
8	GAIN Target	White Level Adj target	0 - 1023	955	
9	GAIN Tolerance	White Level Adj tolerance	1 - 1023	1	
10	Image Level Tolerance	Acq. Image Level Adj Tolerance	1 - 255	2	
262	Auto Calibration (CVBS/SVIDEO)	PW392-AFE MDL <10bits>			
0	Y Image Area Start X	Y Image Area H Start	0 - 1000	20	
1	Y Image Area Start Y	Y Image Area V Start	0 - 1000	200	
6	Image Area H WIDTH	Image Level Acq. Width	0 - 4095	8	
7	Image Area V HEIGHT	Image Level Acq. Height	0 - 4095	9	
8	Y Target Level	Y Level Adj target	0 - 1023	875	
11	Gain Tolerance	Level Adj Tolerance	1 - 255	1	
12	Image Level Tolerance	Acq. Image Level Adj Tolerance	1 - 255	2	
264	Auto Calibration (YCbCr)	PW392-AFE MDL <10bits>			
0	Y-OFFSET AREA H START	Y - Offset Acq Area H Start	0 - 1000	925	
1	Y-OFFSET AREA V START	Y - Offset Acq Area V Start	0 - 1000	500	
2	CB - OFFSET AREA H START	CB - Offset Acq. Area H Start	0 - 1000	925	
3	CB - OFFSET AREA V START	CB - Offset Acq. Area V Start	0 - 1000	500	
4	CR - OFFSET AREA H START	CR - Offset Acq. Area H Start	0 - 1000	925	
5	CR - OFFSET AREA V START	CR - Offset Acq. Area V Start	0 - 1000	500	
6	Y - GAIN AREA H START	Y	0 - 1000	50	
7	Y - GAIN AREA V START		0 - 1000	500	
8	CB - GAIN AREA H START		0 - 1000	800	
9	CB - GAIN AREA V START		0 - 1000	500	
10	CR - GAIN AREA H START		0 - 1000	700	
11	CR - GAIN AREA V START		0 - 1000	500	
12	Image AREA H WIDTH	YCBCR Level Acq. Width	0 - 4095	13	
13	Image AREA V HEIGHT	YCBCR Level Acq. Height	0 - 4095	9	
14	Y - OFFSET TARGET		0 - 1023	4	
15	CB OFFSET TARGET		0 - 1023	512	
16	CR OFFSET TARGET		0 - 1023	512	
17	Y - GAIN TARGET		0 - 1023	810	
18	CB - GAIN TARGET		0 - 1023	892	
19	CR - GAIN TARGET		0 - 1023	892	
20	OFFSET Tolerance	OFFSET Adj Tolerance	1 - 255	1	
21	GAIN Tolerance	GAIN Adj Tolerance	1 - 255	1	
22	Image Level Tolerance	Acq. Image Level Adj Tolerance	1 - 255	2	
280	AutoPC Adjsut				
0	AutoPCAdjustEnable	Auto PC Operation with the un-supported signal in. 0: Enable 1: Disable	0 - 1	0	
1	Frequency Step	TotalDot Search Step	0-3	1	
2	Frequency Threshold	TotalDot Match	0 - 10	5	
3	Fine Phase	Phase after Total Dot Adj. 0: Fine Phase Execute 1: Fine Phase Not Execute	0 - 1	1	
4	BLKDET	Black Level Detect Area	0 - 7	1	
5	PHASEMSK	Phase Detect Filter 0: All Bits Enable, 1: Lower 1 bit Disable	0 - 3	0	
290	Panel Type				
0	Gamma L/R View		0 - 20	0: L Type Panel 20: R Type Panel	Read only
1	Gamma L/R Change	Change the Panel Type when the value is set to 20 or 0. 0: for Type L, 20 for Type R	1	10	
300	Closed Caption				
2	Multi Window Caption	Closed Caption Display at PIP 0: Off, 1: On	0 - 1	1	
500	Composite (NTSC)	Composite / S-Video			
1	Disp Dots		0 - 4095	674	
2	H Back Porch		0 - 4095	24	
3	V Back Porch		0 - 4095	18	
4	Disp Line		0 - 4095	456	

Electrical Adjustment

Grp / No.	Item	Function	Range	Initial	Note
501	Composite (PAL)	Composite / S-Video			
1	Disp Dots		0 - 4095	662	
2	H Back Porch		0 - 4095	32	
3	V Back Porch		0 - 4095	20	
4	Disp Line		0 - 4095	538	
502	Composite (SECAM)	Composite / S-Video			
1	Disp Dots		0 - 4095	662	
2	H Back Porch		0 - 4095	32	
3	V Back Porch		0 - 4095	20	
4	Disp Line		0 - 4095	538	
510	SCART(480i)				
0	Total Dots		0 - 4095	858	
1	Disp Dots		0 - 4095	672	
2	H Back Porch		0 - 4095	142	
3	V Back Porch		0 - 4095	42	
4	Disp Line		0 - 4095	458	
5	Clamp		0 - 4095	59	
6	Clamp Width		0 - 4095	20	
511	SCART (575i)				
0	Total Dots		0 - 4095	862	
1	Disp Dots		0 - 4095	656	
2	H Back Porch		0 - 4095	158	
3	V Back Porch		0 - 4095	60	
4	Disp Line		0 - 4095	536	
5	Clamp		0 - 4095	68	
6	Clamp Width		0 - 4095	20	
520	YCbCr (480i)				
0	Total Dots		0 - 4095	858	
1	Disp Dots		0 - 4095	672	
2	H Back Porch		0 - 4095	143	
3	V Back Porch		0 - 4095	48	
4	Disp Line		0 - 4095	456	
5	Clamp		0 - 4095	10	
6	Clamp Width		0 - 4095	31	
22	(SUB) H Back Porch		0 - 4095	145	
23	(SUB) V Back Porch		0 - 4095	44	
25	(SUB) Clamp		0 - 4095	92	
26	(SUB) Clamp Width		0 - 4095	20	
521	YCbCr (575i)				
0	Total Dots		0 - 4095	864	
1	Disp Dots		0 - 4095	664	
2	H Back Porch		0 - 4095	156	
3	V Back Porch		0 - 4095	60	
4	Disp Line		0 - 4095	542	
5	Clamp		0 - 4095	10	
6	Clamp Width		0 - 4095	31	
22	(SUB) H Back Porch		0 - 4095	158	
23	(SUB) V Back Porch		0 - 4095	58	
25	(SUB) Clamp		0 - 4095	98	
26	(SUB) Clamp Width		0 - 4095	20	
522	YCbCr (480P)				
0	Total Dots		0 - 4095	1716	
1	Disp Dots		0 - 4095	1368	
2	H Back Porch		0 - 4095	274	
3	V Back Porch		0 - 4095	46	
4	Disp Line		0 - 4095	458	
5	Clamp		0 - 4095	10	
6	Clamp Width		0 - 4095	31	
22	(SUB) H Back Porch		0 - 4095	280	
23	(SUB) V Back Porch		0 - 4095	46	
25	(SUB) Clamp		0 - 4095	188	
26	(SUB) Clamp Width		0 - 4095	20	

Electrical Adjustment

Grp / No.	Item	Function	Range	Initial	Note
523	YCbCr (575P)				
0	Total Dots		0 - 4095	1728	
1	Disp Dots		0 - 4095	1380	
2	H Back Porch		0 - 4095	284	
3	V Back Porch		0 - 4095	54	
4	Disp Line		0 - 4095	552	
5	Clamp		0 - 4095	10	
6	Clamp Width		0 - 4095	31	
22	(SUB) H Back Porch		0 - 4095	294	
23	(SUB) V Back Porch		0 - 4095	54	
25	(SUB) Clamp		0 - 4095	198	
26	(SUB) Clamp Width		0 - 4095	20	
524	YCbCr (720P - 60)				
0	Total Dots		0 - 4095	1650	
1	Disp Dots		0 - 4095	1248	
2	H Back Porch		0 - 4095	308	
3	V Back Porch		0 - 4095	34	
4	Disp Line		0 - 4095	700	
5	Clamp		0 - 4095	110	
6	Clamp Width		0 - 4095	31	
22	(SUB) H Back Porch		0 - 4095	316	
23	(SUB) V Back Porch		0 - 4095	34	
25	(SUB) Clamp		0 - 4095	187	
26	(SUB) Clamp Width		0 - 4095	20	
525	YCbCr (720P - 50)				
0	Total Dots		0 - 4095	1980	
1	Disp Dots		0 - 4095	1248	
2	H Back Porch		0 - 4095	306	
3	V Back Porch		0 - 4095	34	
4	Disp Line		0 - 4095	700	
5	Clamp		0 - 4095	110	
6	Clamp Width		0 - 4095	31	
22	(SUB) H Back Porch		0 - 4095	314	
23	(SUB) V Back Porch		0 - 4095	34	
25	(SUB) Clamp		0 - 4095	183	
26	(SUB) Clamp Width		0 - 4095	20	
526	YCbCr (1080i - 60)				
0	Total Dots		0 - 4095	2200	
1	Disp Dots		0 - 4095	1874	
2	H Back Porch		0 - 4095	250	
3	V Back Porch		0 - 4095	54	
4	Disp Line		0 - 4095	1050	
5	Clamp		0 - 4095	80	
6	Clamp Width		0 - 4095	31	
22	(SUB) H Back Porch		0 - 4095	258	
23	(SUB) V Back Porch		0 - 4095	52	
25	(SUB) Clamp		0 - 4095	168	
26	(SUB) Clamp Width		0 - 4095	20	
527	YCbCr (1080i - 50)				
0	Total Dots		0 - 4095	2640	
1	Disp Dots		0 - 4095	1872	
2	H Back Porch		0 - 4095	252	
3	V Back Porch		0 - 4095	52	
4	Disp Line		0 - 4095	1052	
5	Clamp		0 - 4095	80	
6	Clamp Width		0 - 4095	31	
22	(SUB) H Back Porch		0 - 4095	258	
23	(SUB) V Back Porch		0 - 4095	50	
25	(SUB) Clamp		0 - 4095	168	
26	(SUB) Clamp Width		0 - 4095	20	
528	YCbCr (1035i)				
0	Total Dots		0 - 4095	2200	
1	Disp Dots		0 - 4095	1874	
2	H Back Porch		0 - 4095	252	
3	V Back Porch		0 - 4095	92	

Electrical Adjustment

Grp / No.	Item	Function	Range	Initial	Note
4	Disp Line		0 - 4095	1006	
5	Clamp		0 - 4095	80	
6	Clamp Width		0 - 4095	31	
22	(SUB) H Back Porch		0 - 4095	258	
23	(SUB) V Back Porch		0 - 4095	90	
25	(SUB) Clamp		0 - 4095	168	
26	(SUB) Clamp Width		0 - 4095	20	
529	YCbCr (1080P-60)				
0	Total Dots		0 - 4095	2200	
1	Disp Dots		0 - 4095	1874	
2	H Back Porch		0 - 4095	236	
3	V Back Porch		0 - 4095	52	
4	Disp Line		0 - 4095	1052	
5	Clamp		0 - 4095	80	
6	Clamp Width		0 - 4095	31	
530	YCbCr (1080P-50)				
0	Total Dots		0 - 4095	2640	
1	Disp Dots		0 - 4095	1872	
2	H Back Porch		0 - 4095	236	
3	V Back Porch		0 - 4095	52	
4	Disp Line		0 - 4095	1052	
5	Clamp		0 - 4095	80	
6	Clamp Width		0 - 4095	31	
531	YCbCr (1080P-30)				
0	Total Dots		0 - 4095	2200	
1	Disp Dots		0 - 4095	1872	
2	H Back Porch		0 - 4095	250	
3	V Back Porch		0 - 4095	54	
4	Disp Line		0 - 4095	1050	
5	Clamp		0 - 4095	80	
6	Clamp Width		0 - 4095	31	
532	YCbCr (1080P-25)				
0	Total Dots		0 - 4095	2640	
1	Disp Dots		0 - 4095	1872	
2	H Back Porch		0 - 4095	252	
3	V Back Porch		0 - 4095	54	
4	Disp Line		0 - 4095	1052	
5	Clamp		0 - 4095	80	
6	Clamp Width		0 - 4095	31	
533	YCbCr (1080P-24)				
0	Total Dots		0 - 4095	2750	
1	Disp Dots		0 - 4095	1874	
2	H Back Porch		0 - 4095	248	
3	V Back Porch		0 - 4095	54	
4	Disp Line		0 - 4095	1052	
5	Clamp		0 - 4095	80	
6	Clamp Width		0 - 4095	31	
534	YCbCr (1080PSF-30)	* Not selected in System			
535	YCbCr (1080PSF-25)	* Not selected in System			
536	YCbCr (1080PSF-24)				
0	Total Dots		0 - 4095	2750	
1	Disp Dots		0 - 4095	1878	
2	H Back Porch		0 - 4095	248	
3	V Back Porch		0 - 4095	50	
4	Disp Line		0 - 4095	1052	
5	Clamp		0 - 4095	80	
6	Clamp Width		0 - 4095	31	
540	RGB Video (480i)				
0	Total Dots		0 - 4095	1716	
1	Disp Dots		0 - 4095	1424	
2	H Back Porch		0 - 4095	282	

Electrical Adjustment

Grp / No.	Item	Function	Range	Initial	Note
3	V Back Porch		0 - 4095	38	
4	Disp Line		0 - 4095	486	
5	Clamp		0 - 4095	80	
6	Clamp Width		0 - 4095	31	
22	(SUB) H Back Porch		0 - 4095	288	
23	(SUB) V Back Porch		0 - 4095	40	
25	(SUB) Clamp		0 - 4095	150	
26	(SUB) Clamp Width		0 - 4095	31	
541 RGB Video (575i)					
0	Total Dots		0 - 4095	1736	
1	Disp Dots		0 - 4095	1408	
2	H Back Porch		0 - 4095	318	
3	V Back Porch		0 - 4095	44	
4	Disp Line		0 - 4095	576	
5	Clamp		0 - 4095	80	
6	Clamp Width		0 - 4095	20	
22	(SUB) H Back Porch		0 - 4095	320	
23	(SUB) V Back Porch		0 - 4095	44	
25	(SUB) Clamp		0 - 4095	160	
26	(SUB) Clamp Width		0 - 4095	31	
542 RGB Video (480P)					
0	Total Dots		0 - 4095	1716	
1	Disp Dots		0 - 4095	1424	
2	H Back Porch		0 - 4095	246	
3	V Back Porch		0 - 4095	42	
4	Disp Line		0 - 4095	484	
5	Clamp		0 - 4095	70	
6	Clamp Width		0 - 4095	20	
22	(SUB) H Back Porch		0 - 4095	252	
23	(SUB) V Back Porch		0 - 4095	42	
25	(SUB) Clamp		0 - 4095	170	
26	(SUB) Clamp Width		0 - 4095	31	
543 RGB Video (575P)					
0	Total Dots		0 - 4095	1736	
1	Disp Dots		0 - 4095	1412	
2	H Back Porch		0 - 4095	268	
3	V Back Porch		0 - 4095	50	
4	Disp Line		0 - 4095	576	
5	Clamp		0 - 4095	70	
6	Clamp Width		0 - 4095	20	
22	(SUB) H Back Porch		0 - 4095	278	
23	(SUB) V Back Porch		0 - 4095	50	
25	(SUB) Clamp		0 - 4095	170	
26	(SUB) Clamp Width		0 - 4095	31	
544 RGB Video (720P - 60)					
0	Total Dots		0 - 4095	1650	
1	Disp Dots		0 - 4095	1280	
2	H Back Porch		0 - 4095	294	
3	V Back Porch		0 - 4095	26	
4	Disp Line		0 - 4095	720	
5	Clamp		0 - 4095	110	
6	Clamp Width		0 - 4095	31	
22	(SUB) H Back Porch		0 - 4095	300	
23	(SUB) V Back Porch		0 - 4095	26	
25	(SUB) Clamp		0 - 4095	150	
26	(SUB) Clamp Width		0 - 4095	31	
545 RGB Video (720P - 50)					
0	Total Dots		0 - 4095	1980	
1	Disp Dots		0 - 4095	1280	
2	H Back Porch		0 - 4095	292	
3	V Back Porch		0 - 4095	26	
4	Disp Line		0 - 4095	720	
5	Clamp		0 - 4095	110	
6	Clamp Width		0 - 4095	31	
22	(SUB) H Back Porch		0 - 4095	296	

Electrical Adjustment

Grp / No.	Item	Function	Range	Initial	Note
23	(SUB) V Back Porch		0 - 4095	22	
25	(SUB) Clamp		0 - 4095	150	
26	(SUB) Clamp Width		0 - 4095	31	
546	RGB Video (1080i - 60)				
0	Total Dots		0 - 4095	2200	
1	Disp Dots		0 - 4095	1920	
2	H Back Porch		0 - 4095	224	
3	V Back Porch		0 - 4095	40	
4	Disp Line		0 - 4095	1080	
5	Clamp		0 - 4095	80	
6	Clamp Width		0 - 4095	31	
22	(SUB) H Back Porch		0 - 4095	234	
23	(SUB) V Back Porch		0 - 4095	40	
25	(SUB) Clamp		0 - 4095	150	
26	(SUB) Clamp Width		0 - 4095	31	
547	RGB Video (1080i - 50)				
0	Total Dots		0 - 4095	2640	
1	Disp Dots		0 - 4095	1920	
2	H Back Porch		0 - 4095	228	
3	V Back Porch		0 - 4095	40	
4	Disp Line		0 - 4095	1080	
5	Clamp		0 - 4095	60	
6	Clamp Width		0 - 4095	10	
22	(SUB) H Back Porch		0 - 4095	236	
23	(SUB) V Back Porch		0 - 4095	40	
25	(SUB) Clamp		0 - 4095	120	
26	(SUB) Clamp Width		0 - 4095	31	
548	RGB Video (1035i)				
0	Total Dots		0 - 4095	2200	
1	Disp Dots		0 - 4095	1920	
2	H Back Porch		0 - 4095	230	
3	V Back Porch		0 - 4095	78	
4	Disp Line		0 - 4095	1035	
5	Clamp		0 - 4095	80	
6	Clamp Width		0 - 4095	31	
22	(SUB) H Back Porch		0 - 4095	236	
23	(SUB) V Back Porch		0 - 4095	78	
25	(SUB) Clamp		0 - 4095	150	
26	(SUB) Clamp Width		0 - 4095	31	
549	Not used				
550	Not used				
551	RGB Video (1080P - 30)				
0	Total Dots		0 - 4095	2200	
1	Disp Dots		0 - 4095	1920	
2	H Back Porch		0 - 4095	230	
3	V Back Porch		0 - 4095	40	
4	Disp Line		0 - 4095	1080	
5	Clamp		0 - 4095	80	
6	Clamp Width		0 - 4095	31	
22	(SUB) H Back Porch		0 - 4095	120	
23	(SUB) V Back Porch		0 - 4095	40	
25	(SUB) Clamp		0 - 4095	80	
26	(SUB) Clamp Width		0 - 4095	10	
552	RGB Video (1080P - 25)				
0	Total Dots		0 - 4095	2640	
1	Disp Dots		0 - 4095	1920	
2	H Back Porch		0 - 4095	230	
3	V Back Porch		0 - 4095	40	
4	Disp Line		0 - 4095	1080	
5	Clamp		0 - 4095	80	
6	Clamp Width		0 - 4095	31	
22	(SUB) H Back Porch		0 - 4095	120	
23	(SUB) V Back Porch		0 - 4095	40	

Electrical Adjustment

Grp / No.	Item	Function	Range	Initial	Note
25	(SUB) Clamp		0 - 4095	80	
26	(SUB) Clamp Width		0 - 4095	10	
553	RGB Video (1080P - 24)				
0	Total Dots	(Read only)	0 - 4095	2750	
1	Disp Dots		0 - 4095	1920	
2	H Back Porch		0 - 4095	228	
3	V Back Porch		0 - 4095	40	
4	Disp Line		0 - 4095	1080	
5	Clamp		0 - 4095	80	
6	Clamp Width		0 - 4095	31	
22	(SUB) H Back Porch		0 - 4095	120	
23	(SUB) V Back Porch		0 - 4095	40	
25	(SUB) Clamp		0 - 4095	80	
26	(SUB) Clamp Width		0 - 4095	10	
555	RGB Video (1080PSF - 30)				
0	Total Dots	(Read only)	0 - 4095	2200	
1	Disp Dots		0 - 4095	1920	
2	H Back Porch		0 - 4095	236	
3	V Back Porch		0 - 4095	40	
4	Disp Line		0 - 4095	1080	
5	Clamp		0 - 4095	80	
6	Clamp Width		0 - 4095	31	
22	(SUB) H Back Porch		0 - 4095	239	
23	(SUB) V Back Porch		0 - 4095	40	
25	(SUB) Clamp		0 - 4095	150	
26	(SUB) Clamp Width		0 - 4095	31	
556	RGB Video (1080PSF - 25)				
0	Total Dots	(Read only)	0 - 4095	2640	
1	Disp Dots		0 - 4095	1920	
2	H Back Porch		0 - 4095	236	
3	V Back Porch		0 - 4095	40	
4	Disp Line		0 - 4095	1080	
5	Clamp		0 - 4095	60	
6	Clamp Width		0 - 4095	10	
22	(SUB) H Back Porch		0 - 4095	239	
23	(SUB) V Back Porch		0 - 4095	40	
25	(SUB) Clamp		0 - 4095	120	
26	(SUB) Clamp Width		0 - 4095	15	
557	RGB Video (1080PSF - 24)				
0	Total Dots	(Read only)	0 - 4095	2760	
1	Disp Dots		0 - 4095	1920	
2	H Back Porch		0 - 4095	236	
3	V Back Porch		0 - 4095	40	
4	Disp Line		0 - 4095	1080	
5	Clamp		0 - 4095	64	
6	Clamp Width		0 - 4095	31	
22	(SUB) H Back Porch		0 - 4095	236	
23	(SUB) V Back Porch		0 - 4095	40	
25	(SUB) Clamp		0 - 4095	150	
26	(SUB) Clamp Width		0 - 4095	31	
930	AutoGamma * PC White balance				
0	GAM_CALC_STATUS	Result of Auto Gamma Adjustment 0: Not Calculated, 1: Calculated, 9: On Calculating Unit Digit: Result at Ye Device Auto 10th Digit: Result at Ye Device Off	0 - 99	0	
1	GAM_MEASURE_STATUS	Auto Gamma Result 0: Not Calculated, 1: Calculated	0 - 99	0	
982	Auto Gamma Adjustment (Ye Auto) Parameter setting for Auto Gamma Adj. * PC White balance				
0	Ye Auto : PC Dynamic : LVL_USE	x0.01	1 - 999	100	
1	Ye Auto : PC Dynamic : W_SXY_0	x0.001	0 - 999	305	
2	Ye Auto : PC Dynamic : W_SXY_1	x0.001	0 - 999	325	
3	Ye Auto : PC Dynamic : B_SXY_0	x0.001	0 - 999	305	
4	Ye Auto : PC Dynamic : B_SXY_1	x0.001	0 - 999	325	
5	Ye Auto : PC Dynamic : F_SXY_0	x0.001	0 - 1999	0	
6	Ye Auto : PC Dynamic : F_SXY_1	x0.001	0 - 1999	0	

Electrical Adjustment

Grp / No.	Item	Function	Range	Initial	Note
7	Ye Auto : PC Dynamic : LIMIT_CONTRAST		100 - 5000	5000	
8	Ye Auto : PC Dynamic : CAL_CONT	RESULT CONTRAST * Read only	-	-	
9	Ye Auto : PC Dynamic : CONT_USE	Used Rate at Black Balance (x0.001)	100 - 5000	1000	
10	Ye Auto : PC Standard : LVL_USE	x0.01	1 - 999	95	
11	Ye Auto : PC Standard : W_SXY_0	x0.001	0 - 999	310	
12	Ye Auto : PC Standard : W_SXY_1	x0.001	0 - 999	335	
13	Ye Auto : PC Standard : B_SXY_0	x0.001	0 - 999	310	
14	Ye Auto : PC Standard : B_SXY_1	x0.001	0 - 999	335	
15	Ye Auto : PC Standard : F_SXY_0	x0.001	0 - 1999	310	
16	Ye Auto : PC Standard : F_SXY_1	x0.001	0 - 1999	335	
17	Ye Auto : PC Standard : LIMIT_CONTRAST		100 - 5000	5000	
18	Ye Auto : PC Standard : CAL_CONT	RESULT CONTRAST * Read only	-	-	
19	Ye Auto : PC Standard : CONT_USE	Used Rate at Black Balance (x0.001)	100 - 5000	1000	
20	Ye Auto : PC Real : LVL_USE	x0.01	1 - 999	82	
21	Ye Auto : PC Real : W_SXY_0	x0.001	0 - 999	315	
22	Ye Auto : PC Real : W_SXY_1	x0.001	0 - 999	340	
23	Ye Auto : PC Real : B_SXY_0	x0.001	0 - 999	315	
24	Ye Auto : PC Real : B_SXY_1	x0.001	0 - 999	340	
25	Ye Auto : PC Real : F_SXY_0	x0.001	0 - 1999	315	
26	Ye Auto : PC Real : F_SXY_1	x0.001	0 - 1999	340	
27	Ye Auto : PC Real : LIMIT_CONTRAST		100 - 5000	1500	
28	Ye Auto : PC Real : CAL_CONT	RESULT CONTRAST * Read only	-	-	
29	Ye Auto : PC Real : CONT_USE	Used Rate at Black Balance (x0.001)	100 - 5000	750	
30	Ye Auto : AV Dynamic : LVL_USE	x0.01	1 - 999	100	
31	Ye Auto : AV Dynamic : W_SXY_0	x0.001	0 - 999	305	
32	Ye Auto : AV Dynamic : W_SXY_1	x0.001	0 - 999	325	
33	Ye Auto : AV Dynamic : B_SXY_0	x0.001	0 - 999	305	
34	Ye Auto : AV Dynamic : B_SXY_1	x0.001	0 - 999	325	
35	Ye Auto : AV Dynamic : F_SXY_0	x0.001	0 - 1999	0	
36	Ye Auto : AV Dynamic : F_SXY_1	x0.001	0 - 1999	0	
37	Ye Auto : AV Dynamic : LIMIT_CONTRAST		100 - 5000	5000	
38	Ye Auto : AV Dynamic : CAL_CONT	RESULT CONTRAST * Read only	-	-	
39	Ye Auto : AV Dynamic : CONT_USE	Used Rate at Black Balance (x0.001)	100 - 5000	1000	
40	Ye Auto : AV Standard : LVL_USE	x0.01	1 - 999	86	
41	Ye Auto : AV Standard : W_SXY_0	x0.001	0 - 999	313	
42	Ye Auto : AV Standard : W_SXY_1	x0.001	0 - 999	329	
43	Ye Auto : AV Standard : B_SXY_0	x0.001	0 - 999	313	
44	Ye Auto : AV Standard : B_SXY_1	x0.001	0 - 999	329	
45	Ye Auto : AV Standard : F_SXY_0	x0.001	0 - 1999	313	
46	Ye Auto : AV Standard : F_SXY_1	x0.001	0 - 1999	329	
47	Ye Auto : AV Standard : LIMIT_CONTRAST		100 - 5000	1700	
48	Ye Auto : AV Standard : CAL_CONT	RESULT CONTRAST * Read only	-	-	
49	Ye Auto : AV Standard : CONT_USE	Used Rate at Black Balance (x0.001)	100 - 5000	800	
50	Ye Auto : AV Natural : LVL_USE	x0.01	1 - 999	80	
51	Ye Auto : AV Natural : W_SXY_0	x0.001	0 - 999	313	
52	Ye Auto : AV Natural : W_SXY_1	x0.001	0 - 999	329	
53	Ye Auto : AV Natural : B_SXY_0	x0.001	0 - 999	313	
54	Ye Auto : AV Natural : B_SXY_1	x0.001	0 - 999	329	
55	Ye Auto : AV Natural : F_SXY_0	x0.001	0 - 1999	313	
56	Ye Auto : AV Natural : F_SXY_1	x0.001	0 - 1999	329	
57	Ye Auto : AV Natural : LIMIT_CONTRAST		100 - 5000	1500	
58	Ye Auto : AV Natural : CAL_CONT	RESULT CONTRAST * Read only	-	-	
59	Ye Auto : AV Natural : CONT_USE	Used Rate at Black Balance (x0.001)	100 - 5000	750	
60	Ye Auto : AV Cinema : LVL_USE	x0.01	1 - 999	80	
61	Ye Auto : AV Cinema : W_SXY_0	x0.001	0 - 999	314	
62	Ye Auto : AV Cinema : W_SXY_1	x0.001	0 - 999	351	
63	Ye Auto : AV Cinema : B_SXY_0	x0.001	0 - 999	314	
64	Ye Auto : AV Cinema : B_SXY_1	x0.001	0 - 999	351	* White balance adj.
65	Ye Auto : AV Cinema : F_SXY_0	x0.001	0 - 1999	314	

Electrical Adjustment

Grp / No.	Item	Function	Range	Initial	Note
66	Ye Auto : AV Cinema : F_SXY_1	x0.001	0 - 1999	351	
67	Ye Auto : AV Cinema: LIMIT_CONTRAST		100 - 5000	1400	
68	Ye Auto : AV Cinema : CAL_CONT	RESULT CONTRAST * Read only	-	-	
69	Ye Auto : AV Cinema : CONT_USE	Used Rate at Black Balance (x0.001)	100 - 5000	700	
983	Auto Gamma Adjustment (Ye Off)	Parameter setting for Auto Gamma Adj.			
0	Ye Off : PC Dynamic : LVL_USE	x0.01	1 - 999	100	
1	Ye Off : PC Dynamic : W_SXY_0	x0.001	0 - 999	285	
2	Ye Off : PC Dynamic : W_SXY_1	x0.001	0 - 999	315	
3	Ye Off : PC Dynamic : B_SXY_0	x0.001	0 - 999	285	
4	Ye Off : PC Dynamic : B_SXY_1	x0.001	0 - 999	315	
5	Ye Off : PC Dynamic : F_SXY_0	x0.001	0 - 1999	0	
6	Ye Off : PC Dynamic : F_SXY_1	x0.001	0 - 1999	0	
7	Ye Off : PC Dynamic: LIMIT_CONTRAST		100 - 5000	5000	
8	Ye Off : PC Dynamic : CAL_CONT	RESULT CONTRAST * Read only	-	-	
9	Ye Off : PC Dynamic : CONT_USE	Used Rate at Black Balance (x0.001)	100 - 5000	1000	
10	Ye Off : PC Standard : LVL_USE	x0.01	1 - 999	85	
11	Ye Off : PC Standard : W_SXY_0	x0.001	0 - 999	290	
12	Ye Off : PC Standard : W_SXY_1	x0.001	0 - 999	315	
13	Ye Off : PC Standard : B_SXY_0	x0.001	0 - 999	290	
14	Ye Off : PC Standard : B_SXY_1	x0.001	0 - 999	315	
15	Ye Off : PC Standard : F_SXY_0	x0.001	0 - 1999	290	
16	Ye Off : PC Standard : F_SXY_1	x0.001	0 - 1999	315	
17	Ye Off : PC Standard: LIMIT_CONTRAST		100 - 5000	5000	
18	Ye Off : PC Standard : CAL_CONT	RESULT CONTRAST * Read only	-	-	
19	Ye Off : PC Standard : CONT_USE	Used Rate at Black Balance (x0.001)	100 - 5000	1000	
20	Ye Off : PC Real : LVL_USE	x0.01	1 - 999	70	
21	Ye Off : PC Real : W_SXY_0	x0.001	0 - 999	313	
22	Ye Off : PC Real : W_SXY_1	x0.001	0 - 999	329	
23	Ye Off : PC Real : B_SXY_0	x0.001	0 - 999	313	
24	Ye Off : PC Real : B_SXY_1	x0.001	0 - 999	329	
25	Ye Off : PC Real : F_SXY_0	x0.001	0 - 1999	313	
26	Ye Off : PC Real : F_SXY_1	x0.001	0 - 1999	329	
27	Ye Off : PC Real: LIMIT_CONTRAST		100 - 5000	1400	
28	Ye Off : PC Real : CAL_CONT	RESULT CONTRAST * Read only	-	-	
29	Ye Off : PC Real : CONT_USE	Used Rate at Black Balance (x0.001)	100 - 5000	700	
30	Ye Off : AV Dynamic : LVL_USE	x0.01	1 - 999	100	
31	Ye Off : AV Dynamic : W_SXY_0	x0.001	0 - 999	285	
32	Ye Off : AV Dynamic : W_SXY_1	x0.001	0 - 999	315	
33	Ye Off : AV Dynamic : B_SXY_0	x0.001	0 - 999	285	
34	Ye Off : AV Dynamic : B_SXY_1	x0.001	0 - 999	315	
35	Ye Off : AV Dynamic : F_SXY_0	x0.001	0 - 1999	0	
36	Ye Off : AV Dynamic : F_SXY_1	x0.001	0 - 1999	0	
37	Ye Off : AV Dynamic: LIMIT_CONTRAST		100 - 5000	5000	
38	Ye Off : AV Dynamic : CAL_CONT	RESULT CONTRAST * Read only	-	-	
39	Ye Off : AV Dynamic : CONT_USE	Used Rate at Black Balance (x0.001)	100 - 5000	1000	
40	Ye Off : AV Standard : LVL_USE	x0.01	1 - 999	80	
41	Ye Off : AV Standard : W_SXY_0	x0.001	0 - 999	290	
42	Ye Off : AV Standard : W_SXY_1	x0.001	0 - 999	315	
43	Ye Off : AV Standard : B_SXY_0	x0.001	0 - 999	290	
44	Ye Off : AV Standard : B_SXY_1	x0.001	0 - 999	315	
45	Ye Off : AV Standard : F_SXY_0	x0.001	0 - 1999	290	
46	Ye Off : AV Standard : F_SXY_1	x0.001	0 - 1999	315	
47	Ye Off : AV Standard: LIMIT_CONTRAST		100 - 5000	1500	
48	Ye Off : AV Standard : CAL_CONT	RESULT CONTRAST * Read only	-	-	
49	Ye Off : AV Standard : CONT_USE	Used Rate at Black Balance (x0.001)	100 - 5000	800	
50	Ye Off : AV Natural : LVL_USE	x0.01	1 - 999	70	
51	Ye Off : AV Natural : W_SXY_0	x0.001	0 - 999	313	
52	Ye Off : AV Natural : W_SXY_1	x0.001	0 - 999	329	
53	Ye Off : AV Natural : B_SXY_0	x0.001	0 - 999	313	
54	Ye Off : AV Natural : B_SXY_1	x0.001	0 - 999	329	
55	Ye Off : AV Natural : F_SXY_0	x0.001	0 - 1999	313	
56	Ye Off : AV Natural : F_SXY_1	x0.001	0 - 1999	329	
57	Ye Off : AV Natural: LIMIT_CONTRAST		100 - 5000	1200	

Electrical Adjustment

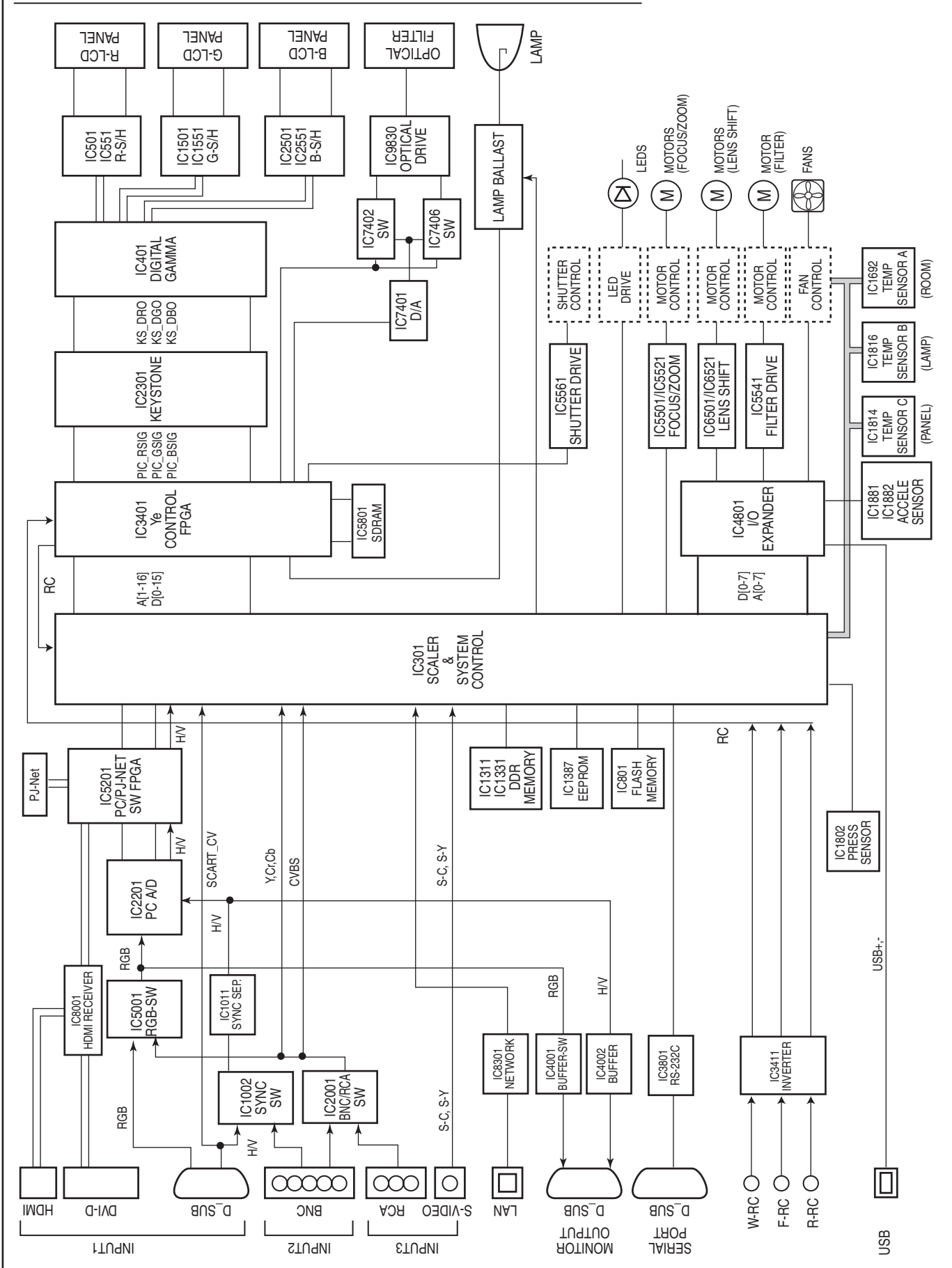
Grp / No.	Item	Function	Range	Initial	Note
58	Ye Off : AV Natural : CAL_CONT	RESULT CONTRAST * Read only	-	--	
59	Ye Off : AV Natural : CONT_USE	Used Rate at Black Balance (x0.001)	100 - 5000	600	
60	Ye Off : AV Cinema : LVL_USE	x0.01	1 - 999		
61	Ye Off : AV Cinema : W_SXY_0	x0.001	0 - 999	314	
62	Ye Off : AV Cinema : W_SXY_1	x0.001	0 - 999	351	
63	Ye Off : AV Cinema : B_SXY_0	x0.001	0 - 999	314	
64	Ye Off : AV Cinema : B_SXY_1	x0.001	0 - 999	351	
65	Ye Off : AV Cinema : F_SXY_0	x0.001	0 - 1999	314	
66	Ye Off : AV Cinema : F_SXY_1	x0.001	0 - 1999	351	
67	Ye Off : AV Cinema : LIMIT_CONTRAST		100 - 5000	1000	
68	Ye Off : AV Cinema : CAL_CONT	RESULT CONTRAST * Read only	-	-	
69	Ye Off : AV Cinema : CONT_USE	Used Rate at Black Balance (x0.001)	100 - 5000	500	
984	Auto Gamma Adjustment (Ye Off Multi) Parameter setting for Auto Gamma Adj.				
0	Ye Multi : PC Dynamic : LVL_USE	x0.01	1 - 999	98	
1	Ye Multi : PC Dynamic : W_SXY_0	x0.001	0 - 999	999	
2	Ye Multi : PC Dynamic : W_SXY_1	x0.001	0 - 999	999	
3	Ye Multi : PC Dynamic : B_SXY_0	x0.001	0 - 999	999	
4	Ye Multi : PC Dynamic : B_SXY_1	x0.001	0 - 999	999	
5	Ye Multi : PC Dynamic : F_SXY_0	x0.001	0 - 1999	999	
6	Ye Multi : PC Dynamic : F_SXY_1	x0.001	0 - 1999	999	
7	Ye Multi : PC Dynamic : LIMIT_CONTRAST		100 - 5000	2500	
8	Ye Multi : PC Dynamic : CAL_CONT	RESULT CONTRAST * Read only	-	-	
9	Ye Multi : PC Dynamic : CONT_USE	Used Rate at Black Balance (x0.001)	100 - 5000	750	
10	Ye Multi : PC Standard : LVL_USE	x0.01	1 - 999	90	
11	Ye Multi : PC Standard : W_SXY_0	x0.001	0 - 999	310	
12	Ye Multi : PC Standard : W_SXY_1	x0.001	0 - 999	350	
13	Ye Multi : PC Standard : B_SXY_0	x0.001	0 - 999	310	
14	Ye Multi : PC Standard : B_SXY_1	x0.001	0 - 999	350	
15	Ye Multi : PC Standard : F_SXY_0	x0.001	0 - 1999	310	
16	Ye Multi : PC Standard : F_SXY_1	x0.001	0 - 1999	350	
17	Ye Multi : PC Standard : LIMIT_CONTRAST		100 - 5000	1400	
18	Ye Multi : PC Standard : CAL_CONT	RESULT CONTRAST * Read only	-	-	
19	Ye Multi : PC Standard : CONT_USE	Used Rate at Black Balance (x0.001)	100 - 5000	400	
20	Ye Multi : PC Real : LVL_USE	x0.01	1 - 999	98	
21	Ye Multi : PC Real : W_SXY_0	x0.001	0 - 999	999	
22	Ye Multi : PC Real : W_SXY_1	x0.001	0 - 999	999	
23	Ye Multi : PC Real : B_SXY_0	x0.001	0 - 999	999	
24	Ye Multi : PC Real : B_SXY_1	x0.001	0 - 999	999	
25	Ye Multi : PC Real : F_SXY_0	x0.001	0 - 1999	999	
26	Ye Multi : PC Real : F_SXY_1	x0.001	0 - 1999	999	
27	Ye Multi : PC Real : LIMIT_CONTRAST		100 - 5000	2500	
28	Ye Multi : PC Real : CAL_CONT	RESULT CONTRAST * Read only	-	-	
29	Ye Multi : PC Real : CONT_USE	Used Rate at Black Balance (x0.001)	100 - 5000	750	
30	Ye Multi : AV Dynamic : LVL_USE	x0.01	1 - 999	90	
31	Ye Multi : AV Dynamic : W_SXY_0	x0.001	0 - 999	310	
32	Ye Multi : AV Dynamic : W_SXY_1	x0.001	0 - 999	350	
33	Ye Multi : AV Dynamic : B_SXY_0	x0.001	0 - 999	310	
34	Ye Multi : AV Dynamic : B_SXY_1	x0.001	0 - 999	350	
35	Ye Multi : AV Dynamic : F_SXY_0	x0.001	0 - 1999	310	
36	Ye Multi : AV Dynamic : F_SXY_1	x0.001	0 - 1999	350	
37	Ye Multi : AV Dynamic : LIMIT_CONTRAST		100 - 5000	1400	
38	Ye Multi : AV Dynamic : CAL_CONT	RESULT CONTRAST * Read only	-	-	
39	Ye Multi : AV Dynamic : CONT_USE	Used Rate at Black Balance (x0.001)	100 - 5000	400	
40	Ye Multi : AV Standard : LVL_USE	x0.01	1 - 999	90	
41	Ye Multi : AV Standard : W_SXY_0	x0.001	0 - 999	305	
42	Ye Multi : AV Standard : W_SXY_1	x0.001	0 - 999	335	
43	Ye Multi : AV Standard : B_SXY_0	x0.001	0 - 999	305	
44	Ye Multi : AV Standard : B_SXY_1	x0.001	0 - 999	335	
45	Ye Multi : AV Standard : F_SXY_0	x0.001	0 - 1999	305	
46	Ye Multi : AV Standard : F_SXY_1	x0.001	0 - 1999	335	

Electrical Adjustment

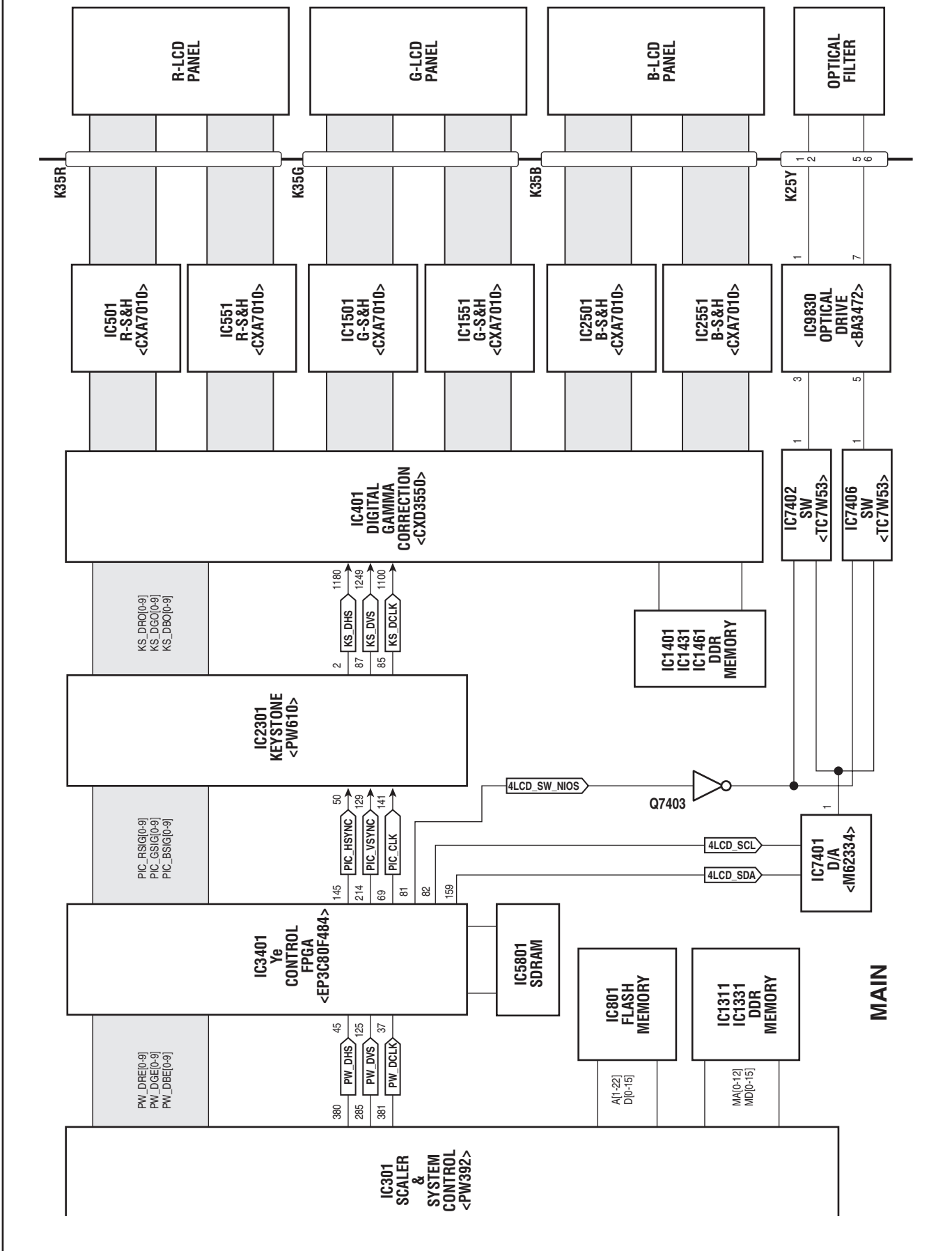
Grp / No.	Item	Function	Range	Initial	Note
47	Ye Multi : AV Standard : LIMIT_CONTRAST		100 - 5000	1200	
48	Ye Multi : AV Standard : CAL_CONT	RESULT CONTRAST * Read only	-	-	
49	Ye Multi : AV Standard : CONT_USE	Used Rate at Black Balance (x0.001)	100 - 5000	400	
50	Ye Multi : AV Natural : LVL_USE	x0.01	1 - 999	70	
51	Ye Multi : AV Natural : W_SXY_0	x0.001	0 - 999	305	
52	Ye Multi : AV Natural : W_SXY_1	x0.001	0 - 999	335	
53	Ye Multi : AV Natural : B_SXY_0	x0.001	0 - 999	305	
54	Ye Multi : AV Natural : B_SXY_1	x0.001	0 - 999	335	
55	Ye Multi : AV Natural : F_SXY_0	x0.001	0 - 1999	305	
56	Ye Multi : AV Natural : F_SXY_1	x0.001	0 - 1999	335	
57	Ye Multi : AV Natural : LIMIT_CONTRAST		100 - 5000	1200	
58	Ye Multi : AV Natural : CAL_CONT	RESULT CONTRAST * Read only	-	-	
59	Ye Multi : AV Natural : CONT_USE	Used Rate at Black Balance (x0.001)	100 - 5000	400	
60	Ye Multi : AV Cinema : LVL_USE	x0.01	1 - 999	70	
61	Ye Multi : AV Cinema : W_SXY_0	x0.001	0 - 999	314	
62	Ye Multi : AV Cinema : W_SXY_1	x0.001	0 - 999	351	
63	Ye Multi : AV Cinema : B_SXY_0	x0.001	0 - 999	314	
64	Ye Multi : AV Cinema : B_SXY_1	x0.001	0 - 999	351	
65	Ye Multi : AV Cinema : F_SXY_0	x0.001	0 - 1999	314	
66	Ye Multi : AV Cinema : F_SXY_1	x0.001	0 - 1999	351	
67	Ye Multi : AV Cinema : LIMIT_CONTRAST		100 - 5000	1200	
68	Ye Multi : AV Cinema : CAL_CONT	RESULT CONTRAST * Read only	-	-	
69	Ye Multi : AV Cinema : CONT_USE	Used Rate at Black Balance (x0.001)	100 - 5000	400	
985	DAC Adjustment Calculation Parameter				
0	G Color Temp A X	x0.001	0 - 1000	319	
1	G Color Temp A Y	x0.001	0 - 1000	638	
2	G Color Temp B X	x0.001	0 - 1000	319	
3	G Color Temp B Y	x0.001	0 - 1000	638	
4	Result G Color Temp X	x0.001 * Read only	0 - 1000		
5	Result G Color Temp Y	x0.001 * Read only	0 - 1000		
6	Result YE	* Read only	-		
7	VT Limit SW	0: Transparent Limit 1: Volt Limit	0 - 1	0	
8	VT Usage Rate DAC		0 - 100	100	
9	CALC_STATUS	Result * Read only	0 - 9	0	
10	DAC_CALC	Executes DAC Adj when the value is set to 10.	0 - 10	0	
11	MEASURE_STATUS	Status 0: Not Measured 1: Measured	0 - 1	0	
986	Ye Off VT Dta result Apply				
0	PC Dynamic	0: Ye Off (Mid) 1: Ye Min	0 - 1	0	
1	PC Standard	0: Ye Off (Mid) 1: Ye Min	0 - 1	0	
2	PC Real	0: Ye Off (Mid) 1: Ye Min	0 - 1	1	
3	AV Dynamic	0: Ye Off (Mid) 1: Ye Min	0 - 1	0	
4	AV Standard	0: Ye Off (Mid) 1: Ye Min	0 - 1	0	
5	AV Natural	0: Ye Off (Mid) 1: Ye Min	0 - 1	1	
6	AV Clmena	0: Ye Off (Mid) 1: Ye Min	0 - 1	1	

Chassis Description

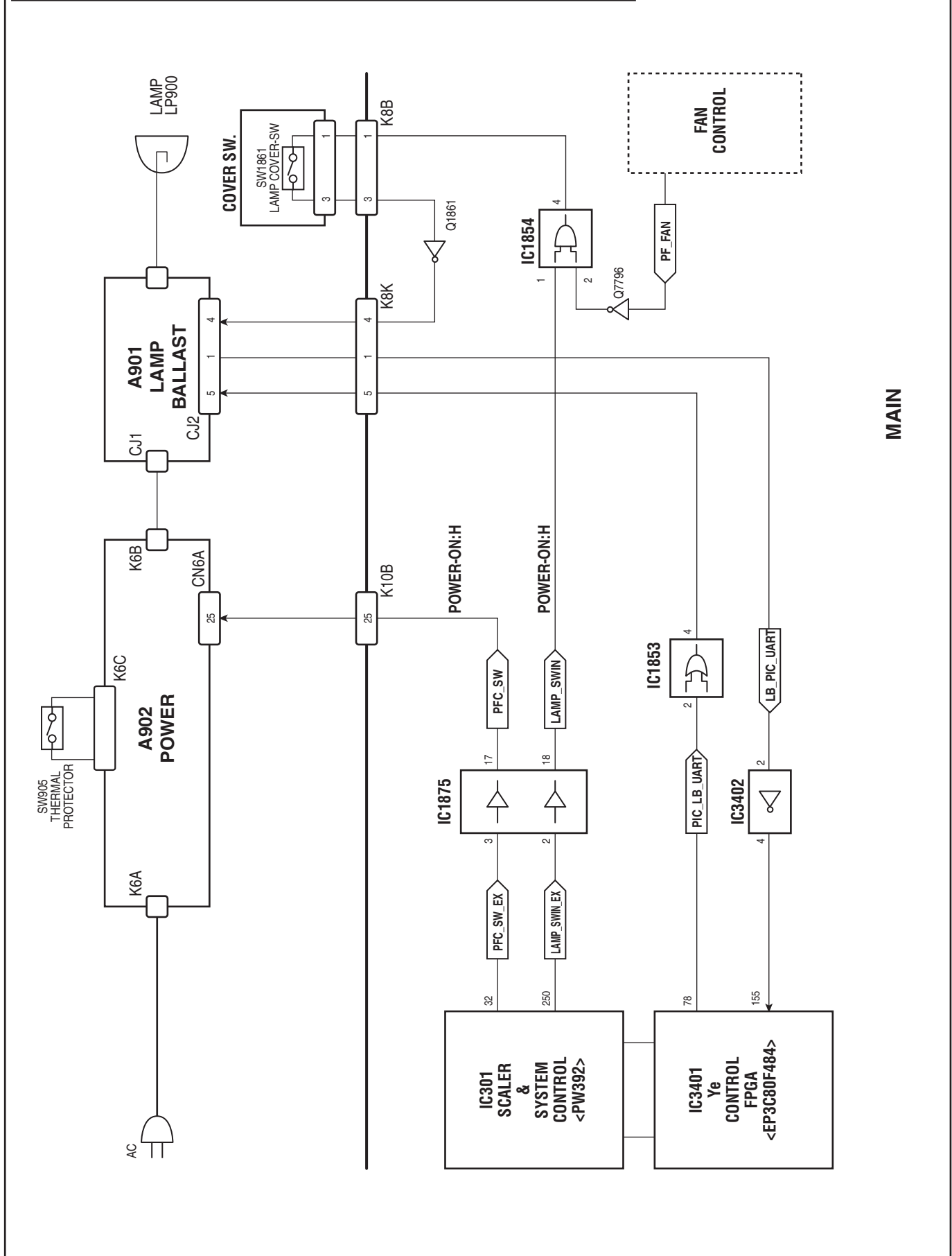
Chassis over view



LCD drive stage

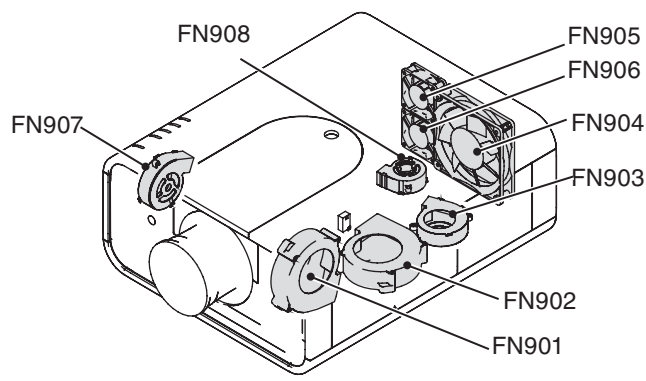
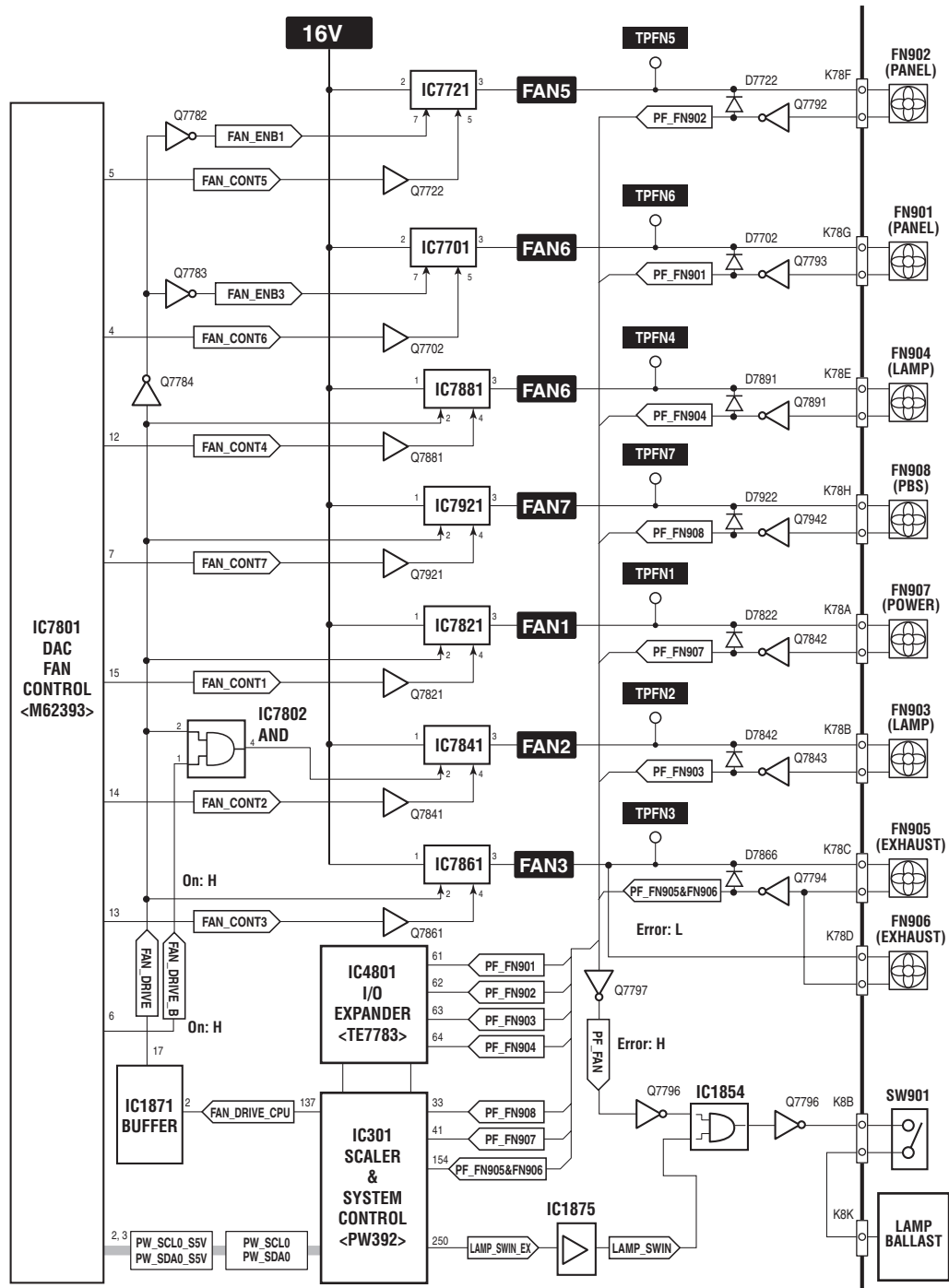


Lamp control stage

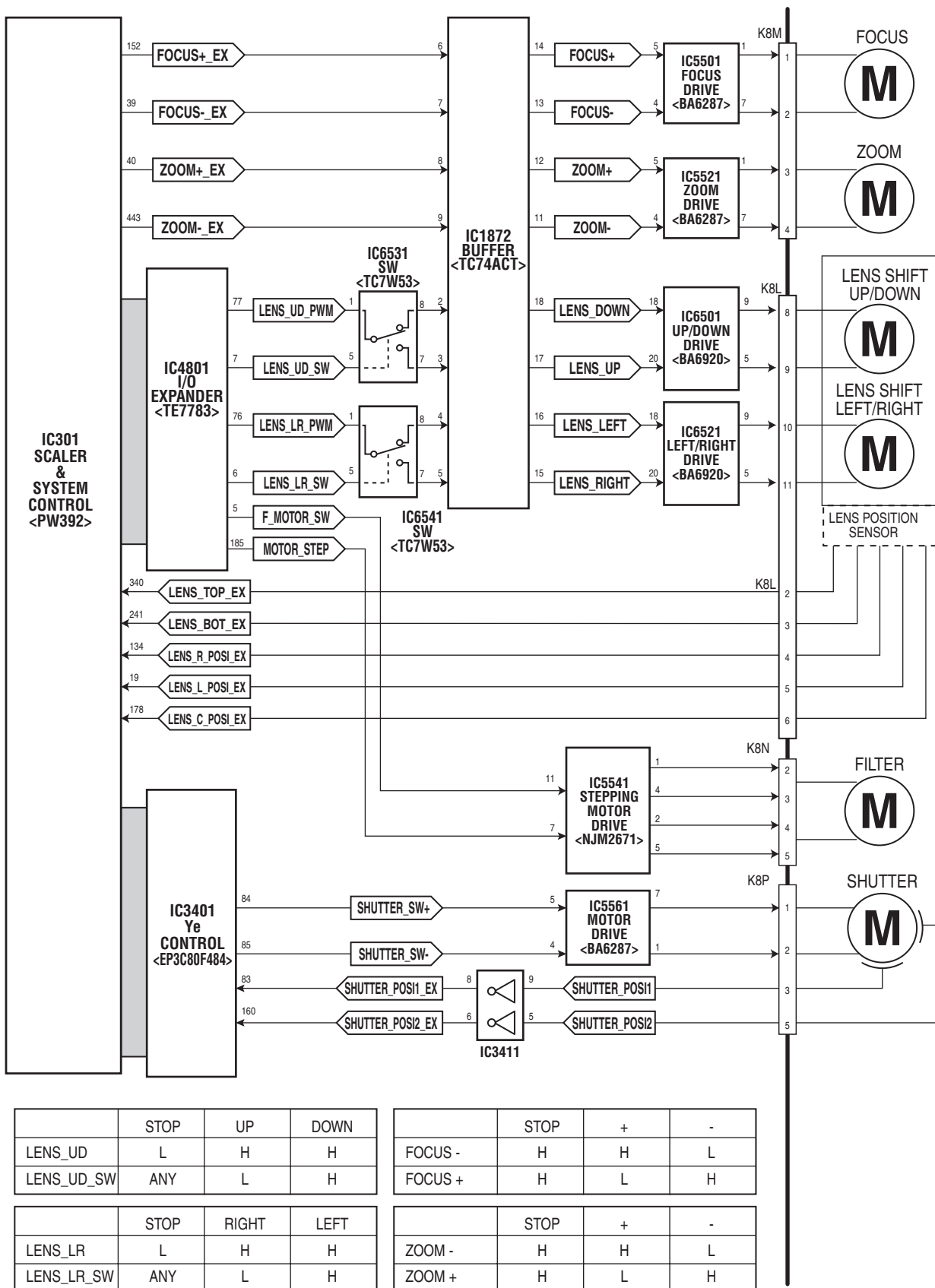


MAIN

Fan control stage



Motor control stage



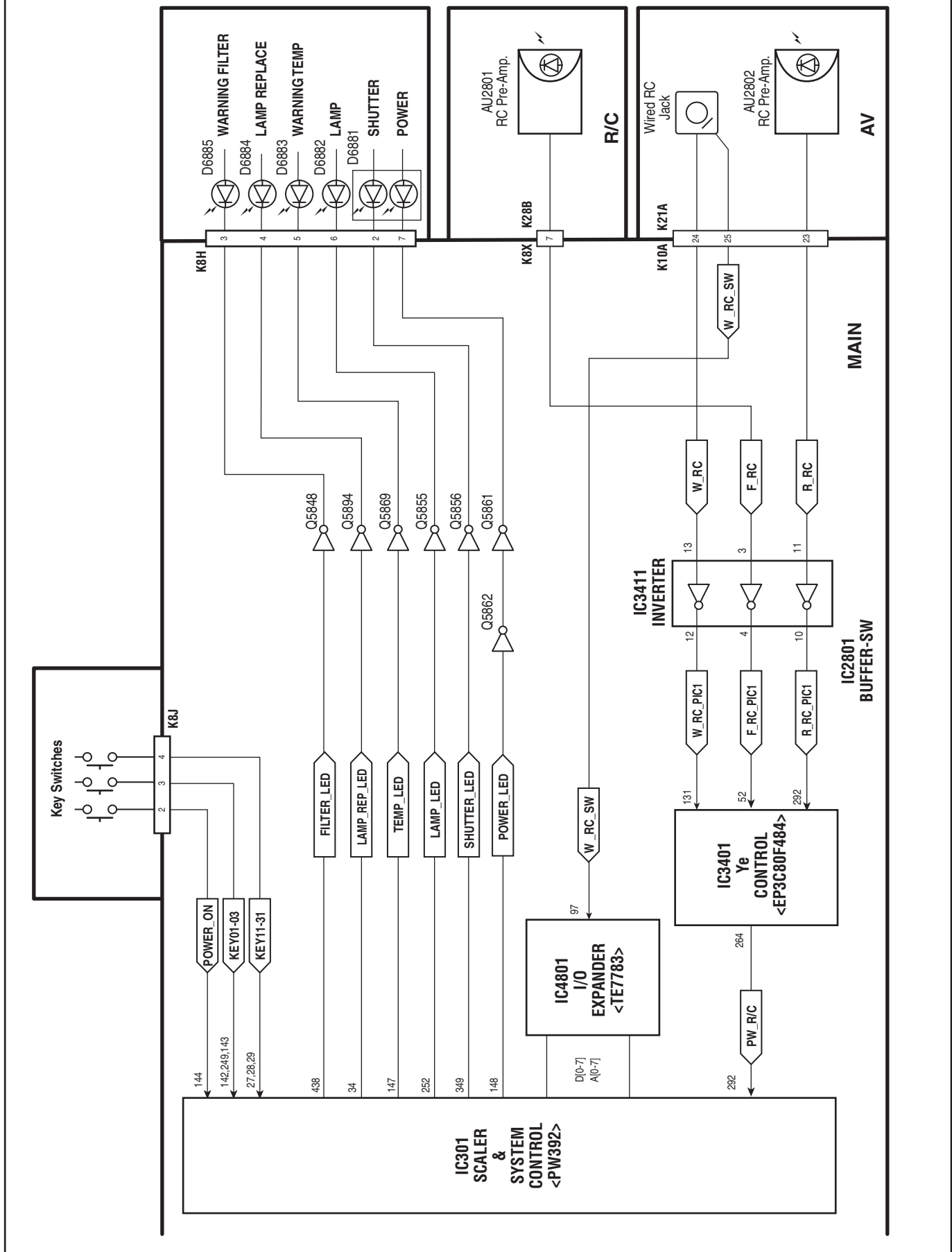
	STOP	UP	DOWN
LENS_UD	L	H	H
LENS_UD_SW	ANY	L	H

	STOP	+	-
FOCUS -	H	H	L
FOCUS +	H	L	H

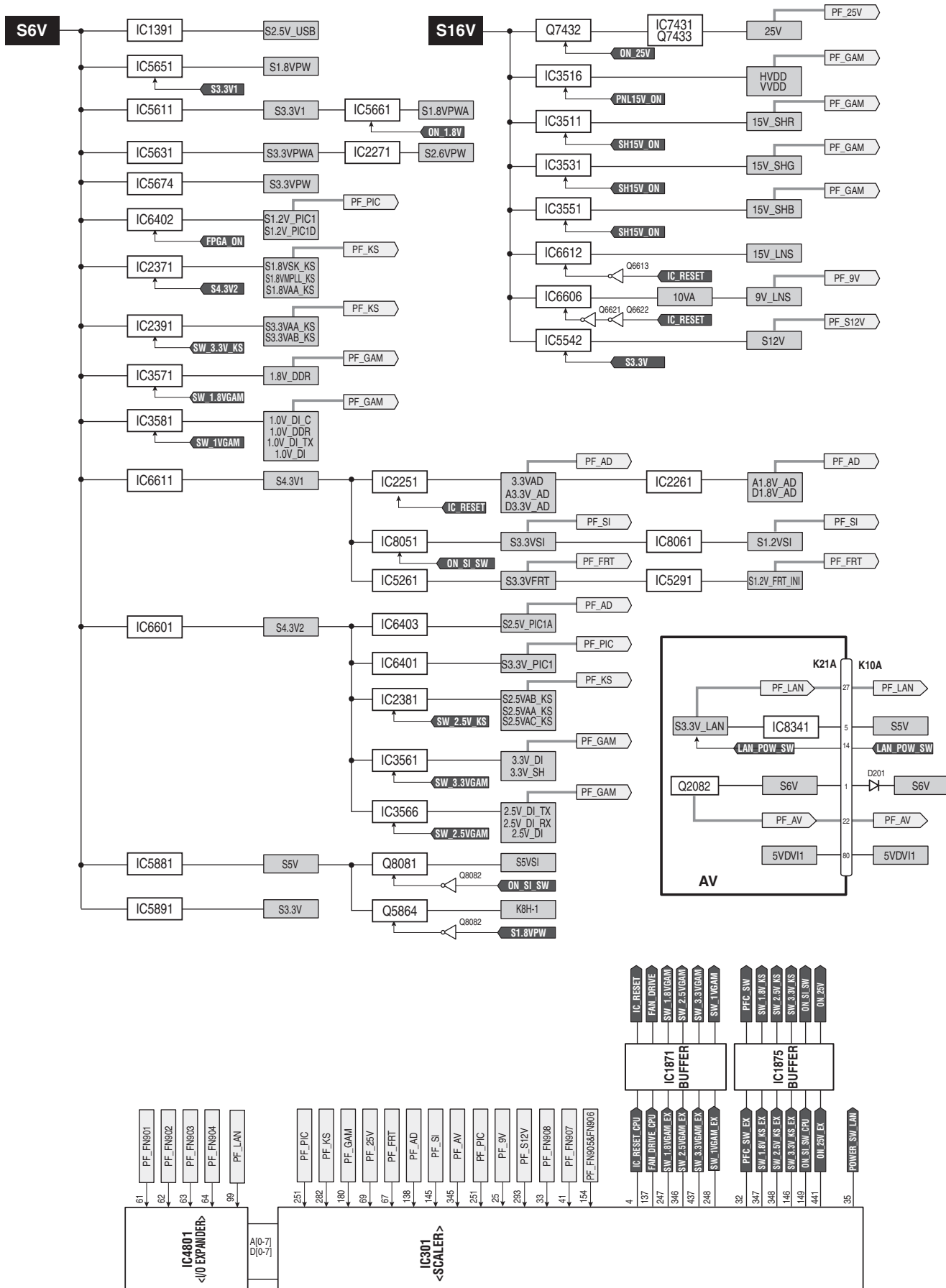
	STOP	RIGHT	LEFT
LENS_LR	L	H	H
LENS_LR_SW	ANY	L	H

	STOP	+	-
ZOOM -	H	H	L
ZOOM +	H	L	H

LED drive & RC control stage



Power supply & power failure circuit



Indicators and Projector Condition

Check the indicators for the projector condition.

The projector is operating normally.

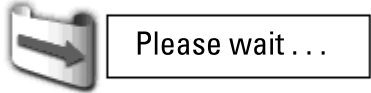
Indicators					Projector condition
POWER green	LAMP/ SHUTTER red/blue	LAMP REPLACE orange	WARNING FILTER orange	WARNING TEMP. red	
●	●	●	●	●	The projector is off. (The AC power cord is unplugged.)
○	⊕	*	*	*	The projector is in stand-by mode. Press the ON/STAND-BY button to turn on the projector.
○	⊕	*	*	*	The projector is operating normally. (The shutter is open)
○	⊗	*	*	*	The projector is operating normally. (The shutter is closed)
●	⊕	*	*	*	The projector is preparing for stand-by or the projection lamp is being cooled down. The projector cannot be turned on until cooling is completed and the POWER indicator lights green.
●	⊕	*	*	*	The projection lamp is being cooled down in the Power management mode.
○	⊕	*	*	*	The projector is in the Power management mode.
●	⊗	*	*	*	The projection lamp is being cooled down in the Shutter management mode.
○	⊗	*	*	*	The projector is in the Shutter management mode. Press the ON/STAND-BY button to turn on the projector.
○	*	*	⊕	*	The filter is scrolled using the FILTER button on the remote control or the Filter control function in the setting menu. When the filter is being scrolled, the Filter replacement icon and "Please wait..." message (Fig. 1) appear on the screen for about 30 seconds.
					

Fig.1 Filter replacement icon and "Please wait..."

- ●●● on
- ⊕ ●●● on (red)
- ⊗ ●●● on (blue)
- ●●● dim
- ⊕ ●●● dim (red)
- ●●● blinking at the normal rate (approx. 1 second ON, 1 second OFF)
- ⊗ ●●● blinking at the normal rate (blue and dim red) (approx. 1 second ON, 1 second OFF)
- ●●● off
- * ●●● Differ according to conditions.
- ⊕ ●●● blinking fast (approx. 0.5 seconds ON, 0.5 seconds OFF)
- ⊗ ●●● blinking fast (blue and dim red) (approx. 0.5 seconds ON, 0.5 seconds OFF)
- ●●● blinking slow (approx. 2 seconds ON, 2 seconds OFF)

The projector is detecting abnormal condition.

Indicators					Projector condition
POWER green	LAMP/ SHUTTER red/blue	LAMP REPLACE orange	WARNING FILTER orange	WARNING TEMP. red	
○	⊕	*	*	☉	The temperature inside the projector is elevated close to the abnormally high level.
●	⊕	*	*	☉	The temperature inside the projector is abnormally high. The projector cannot be turned on. When the projector is cooled down enough and the temperature returns to normal, the POWER indicator lights green and the projector can be turned on. (The WARNING TEMP. indicator keeps blinking.) Check and replace the filter.
○	⊕	*	*	☉	The projector has been cooled down enough and the temperature returns to normal. When turning on the projector, the WARNING TEMP. indicator stops blinking. Check and replace the filter.
●	⊕	☉	*	*	The lamp cannot light up. (The projector is preparing for stand-by or the projection lamp is being cooled down. The projector cannot be turned on until cooling is completed.)
○	⊕	☉	*	*	The lamp cannot light up. (The lamp has been cooled down enough and the projector is in stand-by mode and ready to be turned on with the ON/STAND-BY button.)
○	*	○	*	*	The lamp has been used overtime. Replace the lamp immediately and then reset the lamp counter. The indicator will be turned off after resetting the counter.












WARNING FILTER

When the filter detects clogging, reaches a time set in the timer setting or runs out of the filter scroll, the WARNING FILTER indicator lights orange. When this indicator lights orange, replace the filter or the filter cartridge with a new one promptly. Reset the Filter counter and Scroll counter after replacing the filter cartridge.

LAMP REPLACE

When the projection lamp reaches its end of life, the LAMP REPLACE indicator lights orange. When this indicator lights orange, replace the projection lamp with a new one promptly. Reset the lamp counter after replacing the lamp.

The projector is detecting abnormal condition.

Indicators					Projector Condition
POWER green	LAMP/ SHUTTER red/blue	LAMP REPLACE orange	WARNING FILTER orange	WARNING TEMP. red	
○	*	*	○	*	<p>If the filter counter reached a time set in the timer setting, a Filter replacement icon (Fig.2) appears on the screen and the WARNING FILTER indicator on the top panel lights up. Replace the filter as soon as possible. If the filter is out of scroll and the projector reaches a time set in the timer setting, Fig. 3 appears on the screen and the WARNING FILTER indicator lights up. Replace the filter cartridge as soon as possible.</p> <p>If the filter is clogged and no scroll is left in the filter cartridge, a Filter cartridge replacement icon (Fig.4) appears on the screen and the WARNING FILTER indicator lights up. Replace the filter cartridge as soon as possible.</p> <p>Note:</p> <ul style="list-style-type: none"> • Fig.2, Fig.3 and Fig.4 icon will not appear when the Display function is set to "Off" or during "Freeze".
 <p>Fig.2 Filter replacement icon</p>  <p>Fig.3</p>  <p>Fig.4 Filter cartridge replacement icon</p>					
					<p>The filter cartridge is not installed in the projector. Check the filter compartment to see if the filter cartridge is installed in the projector. When the filter cartridge is installed and the indicators continue to light and blink, read the column below.</p> <p>The projector detects an abnormal condition and cannot be turned on. Unplug the AC power cord and plug it again to turn on the projector. If the projector is turned off again, unplug the AC power cord and contact the dealer or the service center. Do not leave the projector on. It may cause an electric shock or a fire hazard.</p>
*		*	*	*	The shutter is out of control.
●		*	*	●	The shutter is out of control. (The projector is in the cooling mode.)
○		*	*	●	The shutter is out of control. (The projector is in the stand-by mode.) In that case, contact the service station immediately.

Power failure detection system

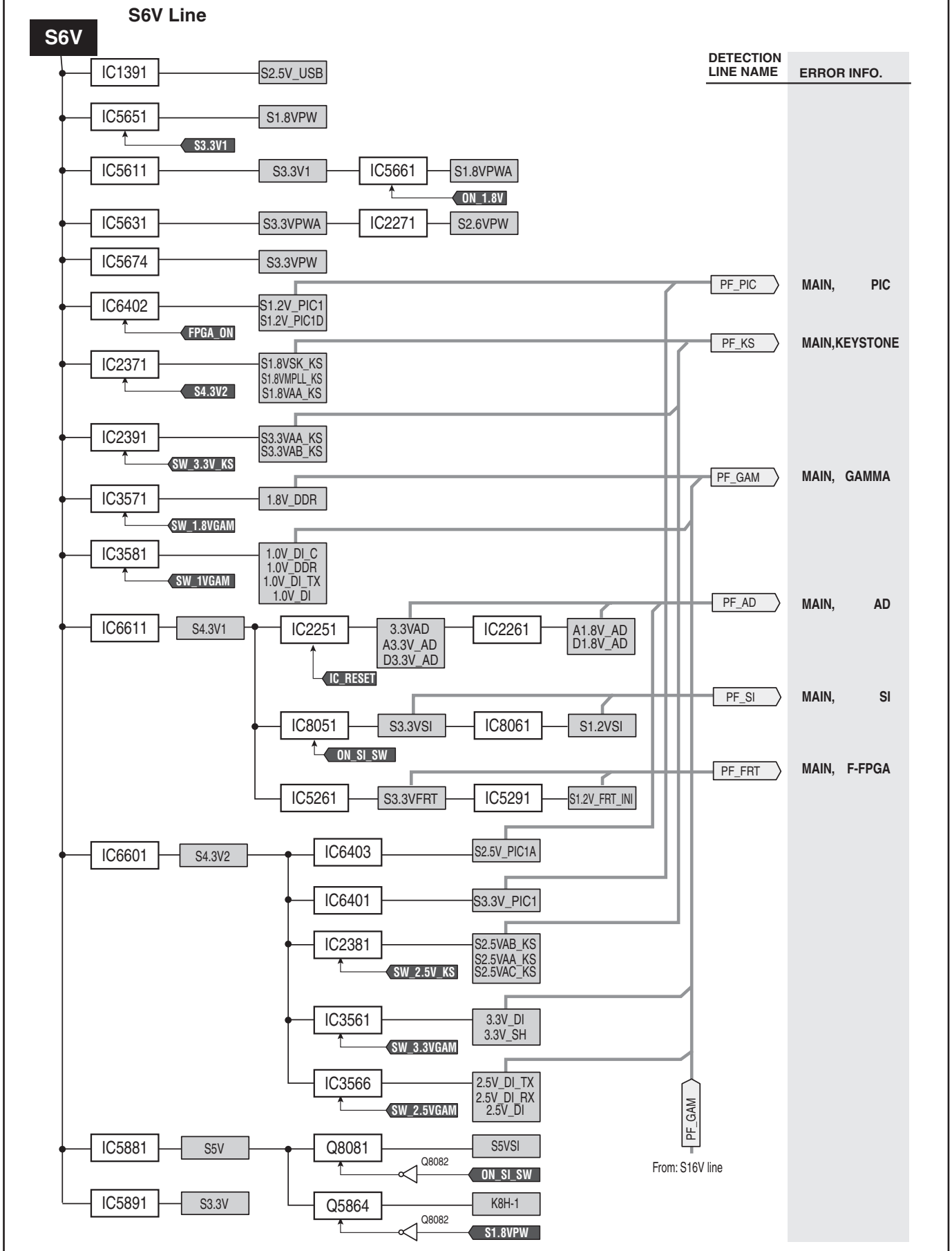
Detection of power failure

Projector provides a protection circuit to prevent the secondary failure when the power failure, fans failure or temperature failure occurs on the projector. The power failure detection lines "PF_AV", "PF_AD", etc. are connected to the main power supplies and fans. When the failure occurs, IC301<SCALER> receives an error information and then outputs the signal "PFC_SW_EX" from pin 32. The signal "PFC_SW_EX" is supplied to power supply circuit as the signal "PFC_SW" via IC1875 <Buffer> to control the power supply operation.

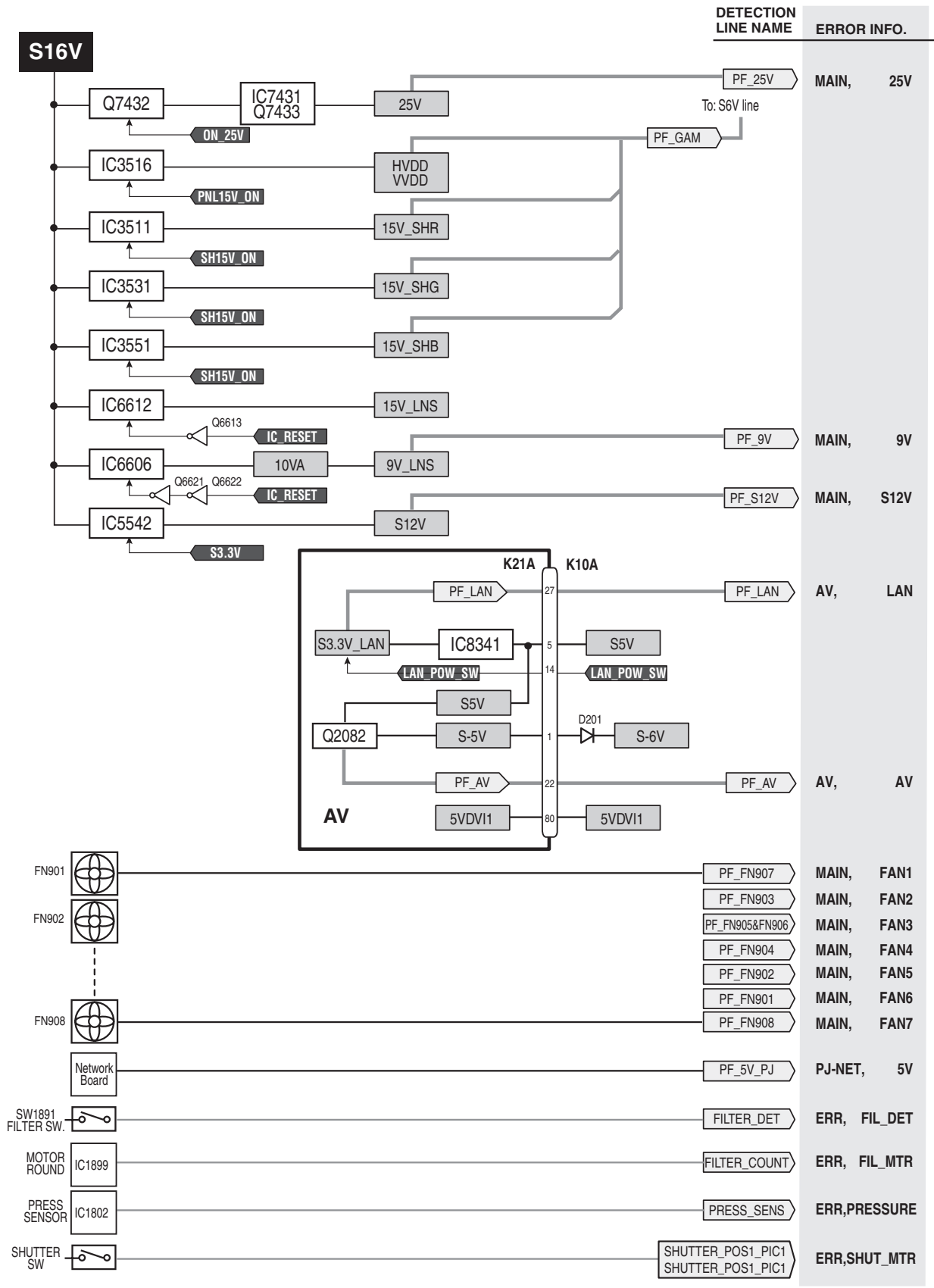
Error information table

IC	Pin	Signal Name	Connection Lines	Error Information	Failure Area
IC301 PW392	345	PF_AV	S5V, S-5V	AV, AV	S5V, S-5V on AV board
	138	PF_AD	3.3VAD, A3.3V_AD, D3.3V_AD, A1.8V_AD, D1.8V_AD, S2.5V_PICA	MAIN, AD	Main AD Power
	245	PF_SI	S3.3VSI, S1.2VSI	MAIN, SI	Main HDMI Power
	67	PF_FRT	S3.3VFRT, S1..2V_FRT_INI	MAIN, F-FPGA	Main FPGA IC5201 Power
	257	PF_5V_PJ	5V_PJ	PJ-NET, 5V	Network Box Power
	251	PF_PIC	S1.2V_PIC1, S1.2V_PIC1D, S3.3V_PICD	MAIN, PIC	Main FPGA IC3401 Power
	60	PF_25V	25V	MAIN, 25V	Main 25V Power
	282	PF_KS	S1.8VSK_KS, S1.8VMPLL_KA, S1.8VAA_KS, S3.3VAA_KS, S3.3VAB_KS, S2.5VAB_KS, S2.5VAA_KS, S2.5VAC_KS	MAIN, KEYSTONE	MAIN Keystone Power
	180	PF_GAM	1.8V_DDR, 1.0V_DI_C, 1.8V_DDR, 1.8V_DI_TX, 3.3V_DI, 3.3V_SH, 2.5V_DI_TX, 2.5V_DI_RX, 2.5V_DI, HVDD, VVDD, 15V_SHR, 15V_SHG, 15V_SHB	MAIN, GAM	Main Gamma Power
	25	PF_9V	9V_LNS	MAIN, 9V	Main 9V Power
	293	PF_S12V	S12V	MAIN, S12V	Main S12V
	154	PF_FN905&FN906	FN905, FN906 POWER & LOCK	MAIN, FAN3	FN905&FN906 Power FAN3 & Lock
	41	PF_FN907	FN907 POWER & LOCK	MAIN, FAN1	FN907 Power FAN1 & Lock
33	PF_FN908	FN908 POWER & LOCK	MAIN, FAN7	FN908 Power FAN7 & Lock	
IC4801 TE7783	61	PF_FN901	FN901 POWER & LOCK	MAIN, FAN6	FN901 Power FAN6 & Lock
	62	PF_FN902	FN902 POWER & LOCK	MAIN, FAN5	FN902 Power FAN5 & Lock
	63	PF_FN903	FN903 POWER & LOCK	MAIN, FAN2	FN903 Power FAN2 & Lock
	64	PF_FN904	FN904 POWER & LOCK	MAIN, FAN4	FN904 Power FAN4 & Lock
	99	PF_LAN	S3.3V_LAN	AV, LAN	AV S3.3V_LAN
IC301 PW392	343	FILTER_DET	FILTER CONDITION DETECT	ERR, FIL_DET	Filter Cartridge is not installed
	388	FILTER_COUNT	MOTOR ERROR DETECT	ERR, FIL_MTR	Filter Motor Error
	281	PRESS_SENS	PRESSURE SENSOR DETECT	ERR, PRESSURE	Pressure Error
IC3401	83	SHUTTER_POS1_PIC1	SHUTTER POSITION SW	ERR, SHUT_MTR	Shutter Operation Error
	160	SHUTTER_POS2_PIC1			

Power failure detection tree



S16V Line and others



Chassis Description

Error History Log

This projector provides the error history log function. To check the logs, you need to enter the service mode and select Group No. "220" and Item No. "0" to "49". The error code is displayed on the Data column. The description of the error code is listed on the table below.

* How to enter the service mode and select the group, item and data value, see "Service Adjustment Menu Operation".

Group No.	Item No.	Data (Error Code)
220	0	* <- Latest Error
	1	*
	2	*
	3	*
	:	:
	:	:
	49	*

Error	Error Code	Error Information (See Power Failure Detection System)	Error Code	Error Information (See Power Failure Detection System)
Normal	0	-		
Power Failure	1000	AV, AV	1016	MAIN, FAN5
	1001	AV, LAN	1017	MAIN, FAN6
	1002	MAIN, AD	1018	MAIN, FAN7
	1003	MAIN, SI	1019	ERR, PRESSURE
	1004	MAIN, F-FPGA	1020	ERR, FIL_DET
	1005	MAIN, 5V	1021	ERR, FIL_MTR
	1006	MAIN, PIC	1022	ERR, SHUT_MTR
	1007	MAIN, 25V		
	1008	MAIN, KEYSTONE		
	1009	MAIN, GAMMA		
	1010	MAIN, 9V		
	1011	MAIN, S12V		
	1012	MAIN, FAN1		
	1013	MAIN, FAN2		
	1014	MAIN, FAN3		
1015	MAIN, FAN4			
Temperature Error	2000	Sensor A detects abnormal temperature. (IC1816)		
	2001	Sensor A fails measurement. (IC1816)		
	2100	Sensor B detects abnormal temperature. (IC1814)		
	2101	Sensor B fails measurement. (IC1814)		
	2102	Sensors B-A temperature error.		
	2200	Sensor C detects abnormal temperature. (IC1692)		
	2201	Sensor C fails measurement. (IC1692)		
	2202	Sensors C-A temperature error.		
Lamp Error	3000	Lamp1 fails on		
	3001	Lamp1 goes out		
	3002	Communication Error on Lamp1		
System Error	4000	FPGASW, CONFIG		
Shutter Error	5000	SHUTTER, ERROR		
Filter Error	6000	Filter clogged		

How to reset the Error History Log

1. Enter the Service Mode, and select Group No. "220" and Item No. "50".
- 2 The history log will be reset when the Data Value is set to "10". The value automatically returns to "0".

* How to enter the service mode and select the group, item and data value, see "Service Adjustment menu operation".

Diagnosis of Power Failure with RS-232C port

This projector provides a function to get the error information of the projector by using the RS-232C serial port for the power failure diagnosis.

The further error information of the power failure and fan failure can be found out by using this function.

Diagnosis procedure

- 1 Connect a RS-232C serial cross cable to CONTROL PORT on the projector and serial port on the PC.
- 2 Launch a communication software "Hyper terminal" provided with PC and setup the communication condition as follows;

Baud rate	: 9600 / 19200 bps
Parity check	: none
Stop bit	: 1
Flow control	: none
Data bit	: 8

- 3 Turn on the projector. Check that the LED shows a power failure. (All the LEDs except LAMP LED are blinking)

- 4 Type a diagnosis command of the power failure "CR ALLPFAIL" and press a "ENTER" key within 1 second on the command window of the software.

The error information will be listed on the window as the right.

Check the status column. If "NG" is listed, the power failure occurs on its signal line (Power Line Name). In case of the right table, this error information means that the power failure occurs on the 3.3VAD power supply on the AD circuit on the main board. Check if the parts connected to 3.3VAD power supply line are defective.

Error Information (Signal Name)

CR ALLPFAIL			
000 AV,	AV	OK	Status
000 AV,	LAN	OK	
000 MAIN,	AD	NG	Error
000 MAIN,	SI	NG	
000 MAIN,	F-FPGA	OK	
000 PJ-NET,	5V	OK	
000 MAIN,	PIC	OK	
.....	

Also the error information may be listed multiple as the below;

In the above case, 2 kinds of causes are considered. One is the power failure occurs on the multiple places at the same time, other is a power failure affects multiple power supply lines even if the failure occurs on the single place.

In the first case, Check if the parts connected to the multiple power supply lines are defective. In the later case, determine a failure point referring to the power supply flow chart on previous page. Basically, if the power failure occurs on the upper side of power supply, the power failure is also detected on lower side of power supply frequently.

If the failure occurs on the lower side of power supply, it is lightly affected to the upper side of the power supply. In the above case, because the failure occurs on the S4.3V1 power supply on the main board, the failure is also detected on the 3.3VAD and S3.3VSI power supply on the AD and SI (HDMI) circuit on the main board.

CR ALLPFAIL			
000 AV,	AV	OK	
000 AV,	LAN	OK	
000 MAIN,	AD	NG	Error
000 MAIN,	SI	NG	
000 MAIN,	F-FPGA	OK	
000 PJ-NET,	5V	OK	
000 MAIN,	PIC	OK	
.....	

* See "Power Failure Detection System" for further description of the Error Information.

Serial Control Interface

This projector provides a function to control and monitor the projector's operations by using the RS-232C serial port.

Operation

- 1 Connect a RS-232C serial cross cable to CONTROL PORT on the projector and serial port on the PC.
- 2 Launch a communication software "Hyper terminal" provided with PC and setup the communication condition as follows;

Note: The default of the baud rate is set to 19200 bps. If an error occurs in the communication, change the serial port and the communication speed (baud rate).

- 3 Type the command for controlling the projector and then enter the "Enter" key within 1 second.

Example

When you want to change the input to INPUT 2, Type 'C' '0' '6' 'Enter'.

Note: Enter with ASCII 64-byte capital characters and one-byte characters.

Baud rate	: 9600 / 19200 bps
Parity check	: none
Stop bit	: 1
Flow control	: none
Data bit	: 8

Functional Execution Command

Format

The command is sent from PC to the projector with the format below;

'C' [Command] 'CR'

Command: two characters (refer to the command table below).

-The projector decodes the command and returns the 'ACK' with the format below;

'ACK' 'CR'

-When the projector can not decode the command, it returns with format below.

'?' 'CR'

Command	Function	Command	Function
C00	Turn the projector ON	C3A	Pointer RIGHT
C01	Turn the projector OFF (immediately OFF)	C3B	Pointer LEFT
C02	Turn the projector OFF	C3C	Pointer UP
C05	Select Input 1	C3D	Pointer DOWN
C06	Select Input 2	C3F	Enter
C07	Select Input 3	C46	Zoom DOWN
C08	Select Network	C47	Zoom UP
C0D	Video mute ON	C4A	Focus DOWN
C0E	Video mute OFF	C4B	Focus UP
C0F	Screen Normal Size	C4F	Select Input 1 HDMI
C10	Screen Full Size	C50	Select Input 1 Analog RGB
C1C	Menu ON	C51	Select Input 1 SCART
C1D	Menu OFF	C52	Select Input 1 DVI (PC Digital)
C20	Brightness UP	C53	Select Input 1 DVI (AV HDCP)
C21	Brightness DOWN	C5D	Lens shift UP
C23	Select Input 2 Video	C5E	Lens shift DOWN
C24	Select Input 2 Y, Pb/Cb,Pr/Cr	C5F	Lens shift LEFT
C25	Select Input 2 RGB	C60	Lens shift RIGHT
C28	Direct on ON	C89	Auto PC Adj.
C29	Direct on OFF	C8E	Keystone UP
C33	Select Input 3 Video	C8F	Keystone DOWN
C34	Select Input 3 S-video	C90	Keystone RIGHT
C35	Select Input 3 Y, Pb/Cb,Pr/Cr	C91	Keystone LEFT

Status Read Command

Format

The command is sent from PC to the projector with the format below;

'CR' [Command] 'CR'

Command: one character (refer to the command table below.

The projector decodes the command and returns the 'Character string' with the format below;

Command	Function	Projector Return	Projector status
CR0	Status Read	00	Power On
		80	Stand-by mode
		40	Countdown
		20	Cooling down
		10	Power Malfunction
		28	Cooling down at the temperature anomaly
		24	Cooling down at Power Management mode
		04	Power Management mode after Cooling down
		21	Cooling down after the projector is turned off when the lamps are out.
		81	Stand-by mode after Cooling down when the lamps are out.
		88	Stand-by mode after Cooling down at the temperature anomaly.
		2C	Cooling down when the projector is turned off by the shutter management function.
8C	Stand-by mode after cooling down by the shutter management function.		
CR6	Temperature Read	S1 S2 S3	S1 = Temperature at Sensor 1 (Temp A) (°C) S2 = Temperature at Sensor 2 (Temp B) (°C) S3 = Temperature at Sensor 3 (Temp C) (°C) (ex.) S1 = 12.3°C, S2 = 23.4°C, S3 = 34.5°C --> The projector displays "12.3 23.4 34.5" (For each sensor, two digit and the tenth place numbers are displayed with a space between each temperature.)
		?	Communication failure

The tables show the typical command lists for controlling the projector. Please consult your local dealer for further information of other commands.

Control Port Functions

System Control I/O Port Functions (PW392, IC301)

PIN	PORT	SIGNAL	FUNCTION	I/O	NOTE
A18	HSOUT		H SYNC Input	I	
A19	LENS_L_POSI_EX		Lens Shift L Detect Input	I	
A20	PW_SDA3		IIC Bus 3	I/O	
A25	PF_9V		Power Fail Input 9V	I	L: Error
A27	KEY11		Keypad Input	I	
A28	KEY31		Keypad Input	I	
A29	KEY03		Keypad Input	I	
B18	IN0HS		H SYNC Input	I	
B19	LENS_R_POSI_EX		Lens Shift R Detect Input	I	
B20	PW_SCL3		IIC Bus 3	I/O	
B22	FAN_DRIVE_CPU		Fan Control Switch Output	O	
B23	PF_AD		Power Fail INput AD	I	L: Error
B24	DVI_DDC_SW_CPU		DVI DDC Switch output	O	
B27	KEY21		Keypad Input	I	
B28	KEY02		Keypad Input	I	
B29	POWER ON		Keypad Input	I	
C18	IN0VS		V Sync Input	I	
C19	LENS_BOT_EX		Lens Shift Bottom Detect Input	I	
C23	PF_SI		Power Fail Input SI	I	L: Error
C24	DSUB_DDC_SW_CPU		DDC Switch Control (DSUB)	O	
C25	SW_1.8VGAM_EX		SW_1.8V Switch output	O	H: On
C26	SW_1VGAM_EX		SW_1VGAM Switch output	O	H: On
C27	KEY01		Keypad Input	I	
C28	LAMP_SWIN_EX		LAMP Drive Switch Output	O	H: On
C30	PFC_SW_EX		Fan Control Switch Output	O	H: On
D19	LENS_TOP_EX		Lens Shift Top Detect Input	I	
D22	FILTER_DET		Filter Detect Input	I	
D24	PF_AV		Power Fail Input AV	I	L: Error
D25	SW_2.5VGAM_EX		SW_2.5V Drive Signal Output	O	H: On
D26	SW_1.8V_KS_EX		SW_1.8V Drive Signal Output(KS)	O	H: On
D27	SW_2.5V_KS_EX		SW_2.5V Drive Signal Output(KS)	O	H: On
D28	PF_PIC		Power Fail Input PIC	I	L: Error
D29	SW_3.3V_KS_EX		SW_3.3V Drive Signal Output(KS)	O	H: On
D30	PF_FN908		Power Fail Input FN908	I	L: Error
E2	RST		Reset IC	I	
E25	SW_3.3VGAM_EX		SW_3.3V Drive Signal Output H: On	O	H: On
E26	FILTER_LED		Filter LED Drive Output	O	H: On
E27	SHUTTER_LED		Shutter LED Drive Output	O	H: On
E28	LAMP_LED		Lamp LED Drive Output	O	H: On
E29	TEMP_LED		Warning LED Drive Output	O	H: On
E30	LAMP_REP_LED		Lamp Replace LED Drive output	O	H: On
F29	POWER_LED		Power LED Drive Output	O	H: On
F30	POWER_SW_LAN		Lan Power Switch Output	O	H: On
G2	ASPECT2		Aspect In 2	I	
G3	ASPECT1		Aspect In 1	I	
G4	ASPECT0		Aspect In 0	I	
G29	ON_SI_SW_CPU		SI Power Switch Output	O	H: On
J1	IN_VIDEO2		Composite Video Signal Input 2	I	
J26	PIC_I2C_SW		IIC Data Switch for PIC	O	
J27	YE_MUTE_SW		YE MUTE SW Output	O	
K1	S_C		S-Video C Signal	I	
K3	S_Y		S-Video Y Signal	I	
K26	ZOOM-_EX		Zoom- Drive Output	O	
K28	PF_5V_PJ		Power Fail Input Network Box	I	L: Error
K29	FOCUS+_EX		Focus+ Drive Output	O	
K30	FOCUS-_EX		Focus- Drive Output	O	
L1	IN_3_VIDEO		Composite Video Input 3	I	
L26	PW_SDA0		IIC Bus 0	I/O	
L27	PW_SCL0		IIC Bus 0	I/O	
L30	ZOOM+_EX		Zoom+ Drive Output	O	
M26	RXD_MCI		Serial RXD for MCI	I/O	
M27	TXD_MCI		Serial TXD for MCI	I/O	
M29	PF_FN905&FN906		Power Fail Input FN905, FN906	I	L: Error
M30	PF_FN907		Power Fail Input FN907	I	L: Error
N1	B_IN1_PW		B IN1 Input	I	
N3	SCART_CV		Composite Video Input SCART	I	
P1/P2	G_IN1_PW		G IN1 Input	I	
P3	B_IN1_PW		B IN1 Input	I	
R1/T1	Y_IN3_PW		Y IN3 Input	I	
R2	CB_IN3_PW		CB IN3 Input	I	

Control Port Functions

PIN	PORT	SIGNAL	FUNCTION	I/O	NOTE
	T1	CR_IN3_PW	CR IN3 input	I	
	U1/U2	G_IN2_PW	G IN2 Input	I	
	U3	B_IN2_PW	B IN2 Input	I	
	V2	R_IN2_PW	R IN2 Input	I	
	AA1	INPUT2_VS_EX	V-Sync Input2	I	
	AA2	INPUT1_VS_EX	V-Sync Input1	I	
	AA3	INPUT1_HS_EX	H-Sync Input1	I	
	AA4	INPUT2_HS_EX	H-Sync Input2	I	
	AG10	FILTER_COUNT	Filter Scroll Counter Input	I	
	AG12	EX_PW_UART	UART for S Port	I/O	
	AG17	PW_DCLK	Clock	I	
	AG18	PW_DHS	H Sync Input	I	
	AH9	NMI_RST	Push switch	I	
	AH10	PF_S12V	Power Fail Input S12V	I	L: Error
	AH11	PW_R/C	Remote Control Signal Input	I	
	AH12	PW_EX_UART	UART for S Port	I/O	
	AH18	PW_DVS	V Sync Input	I	
	AH21	PF_KS	Power Fail Input KS	I	L: Error
	AH22	PRESS_SENSE	Pressure Sensor Input	I	
	AJ20	PF_GAM	Power Fail Input GAM	I	L: Error
	AJ22	LENS_C_POSI_EX	Lens Position C Input	I	
	AJ24	TRM2	RGB In Terminate 2	O	
	AK20	PF_25V	Power Fail Input 25V	I	L: Error
	AK21	WINDS_SENS	Wind Sensor Input	I	
	AK22	PF_FRT	Power Fail Input Front FPGA	I	L: Error
	AK23	OUT_SW	Monitor Output Switch	O	
	AK24	TRM1	RGB Terminate 1	O	

I/O Expander (TE7783, IC4801)

PIN	PORT	SIGNAL	FUNCTION	I/O	NOTE
2	P1	BUFFER_SW1	Buffer SW Output	O	
3	P2	NET_SW_PW	PJNET Switch Output	O	
4	P3	IC_RESET_CPU	Reset Output for Motor Drive Ics	O	H: On
5	P4	F_MOTOR_SW	Filter Motor Drive Switch	O	H: On
6	P5	LENS_LR_SW	Lens Shift L/R Detect Input	I	
7	P6	LENS_UD_SW	Lens Shift U/D Detect Input	I	
8	P7	PJ_UPDATE	PJNET Firmware update	O	
9	P8	NET_H/L	PJNET	O	
49	P22	PROG_B_FRT	SW FPGA Config	O	
50	P23	DDC_SCL	IIC CLK for DDC	I/O	
51	P24	DDC_SDA	IIC Data for DDC	I/O	
52	P25	GAMMA_SCL	IIC CLK for Gamma IC	IO	
53	P26	GAMMA_SDL	IIC Data for Gamma IC	IO	
54	P27	USBB_VBUS		IO	USB
55	P28	USBB_D+		IO	USB
61	AIN[1]	PF_FN901	Power Fail Input FN901	I	L: Error
62	AIN[2]	PF_FN902	Power Fail Input FN902	I	L: Error
63	AIN[3]	PF_FN903	Power Fail Input FN903	I	L: Error
64	AIN[4]	PF_FN904	Power Fail Input FN904	I	L: Error
65	AIN[5]	ACCELE_SENS1	G-Sensor1	I	
66	AIN[6]	ACCELE_TEMP1	G-Sensor1	I	
67	AIN[7]	ACCELE_SENS2	G-Sensor2	I	
68	AIN[8]	ACCELE_TEMP2	G-Sensor2	I	
72	P31	I/O_PJ_UART	UART for PJNET	IO	UART
73	P32	PJ_I/O_UART	UART for PJNET	IO	UART
74	P33	MOUSE_TXD	PJNET Mouse	IO	UART
76	P35	LENS_LR_PWM	Lens Shift L/R Control PWM	O	PWM
77	P36	LENS_UD_PWM	Lens Shift U/D Control PWM	O	PWM
78	P37	LENS_LR_SW	Lens Shift L/R Switch	O	PWM
79	P38	LENS_UD_SW	Lens Shift U/D Switch	O	
81	DMINUS	USBB_D-	USB	IO	
82	DPLUS	USBB_D+	USB	IO	
91	P11	SCLK_FRT	SW FPGA Config	O	3-Wire
92	P12	SDAT_FRT	SW FPGA Config	O	3-Wire
94	P14	BOX_SW	PJNET	I	
97	P15	W_RC_SW	Wired Remote Control Detect Input	I	
98	P16	SILENT		I	
99	P17	PF_LAN	Power Fail Input LAN	I	L: Error
100	P18	DONE_FRT	SW FPGA Config	O	

Control Port Functions

FPGA (XC3S50A, IC5201)

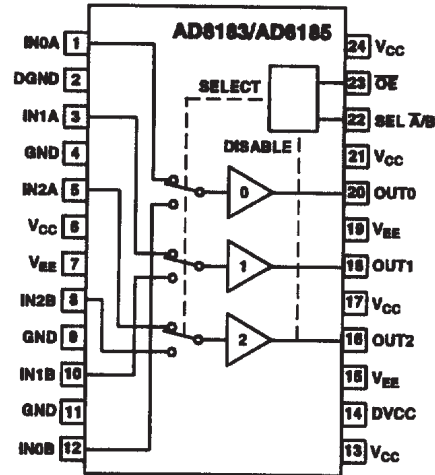
PIN	PORT	SIGNAL	FUNCTION	I/O	NOTE
3	A3	-BNC/RCA	BNC/RCA Switch Output	O	
4	A4	-IN1/IN2	IN1/IN2 Switch Output	O	
13	A13	HSOUT	H-Sync Input	I	
14	A14	FRT_HS_OUT	H-Sync Output for FRT	O	
204	J12	IN0VS	V Sync Output	O	
171	J13	IN0HS	H Sync Output	O	
131	K14	CG_HSYNC	H-Sync Input from AD	I	
82	K15	CG_VSYNC	V-Sync Input from AD	I	
232	L10	SI_HS	H-Sync Input from SI	I	
139	P10	SI_VS	V-Sync Input from SI	I	

IIC Bus D/A Converter (M62393FP Fan Control, IC7801)

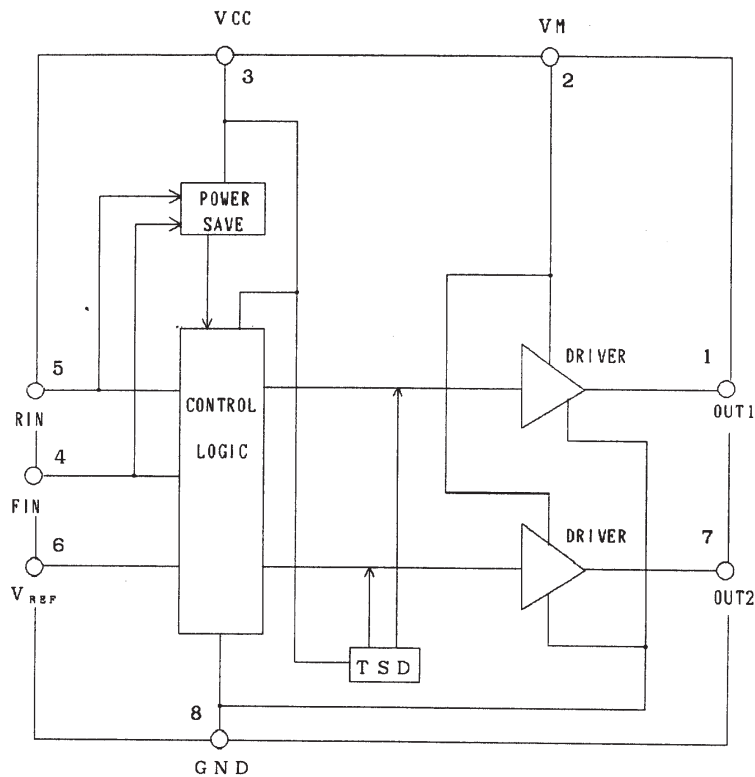
Pin No.	Function Name	Function	Pol.	Stand-by	Power On	Action
1	Reset Input		I	→		
2	PW_SCL0_S5V	IIC bus CLK	I	→		
3	PW_SDA0_S5V	IIC bus Data	I/O	→		
4	FAN_CONT6	FAN_FN901 Control Voltage (Panel Cooling Fan)	AO	→	0:FAN Max ~ 255:FAN Min	
5	FAN_CONT5	FAN_FN902 Control Voltage (Panel Cooling Fan)	AO	→	0:FAN Max ~ 255:FAN Min	
6	FAN_DRIVE B	FAN_FN903 Drive	AO	→	255:ON 0:OFF	
7	FAN_CONT7	FAN_FN908 Control Voltage (PBS Cooling Fan)	AO	→	(Open)	
8	GND		-	→		
9	GND		-	→		
10	GND		-	→		
11	GND		-	→		
12	FAN_CONT4	FAN_FN904 Control Voltage (Lamp Cooling Fan)	AO	→	0:FAN Max ~ 255:FAN Min	
13	FAN_CONT3	FAN_FN905&FN906 Control Voltage (Set Exhaust Fans small)	AO	→	0:FAN Max ~ 255:FAN Min	
14	FAN_CONT2	FAN_FN903 Control Voltage (Lamp Cooling Fan)	AO	→	0:FAN Max ~ 255:FAN Min	
15	FAN_CONT1	FAN_FN907 Control Voltage (Power Cooling Fan)	AO	→	0:FAN Max ~ 255:FAN Min	
16	Power for Output Buffer (4.5V ~ 5.5V)		-	→		
17	Power Supply +5V±10%		-	→		
18	Slave Address Setting Pin2 (5V)		I	→	H	
19	Slave Address Setting Pin1 (5V)		I	→	H	
20	Slave Address Setting Pin0 (5V)		I	→	H	

IC Block Diagrams

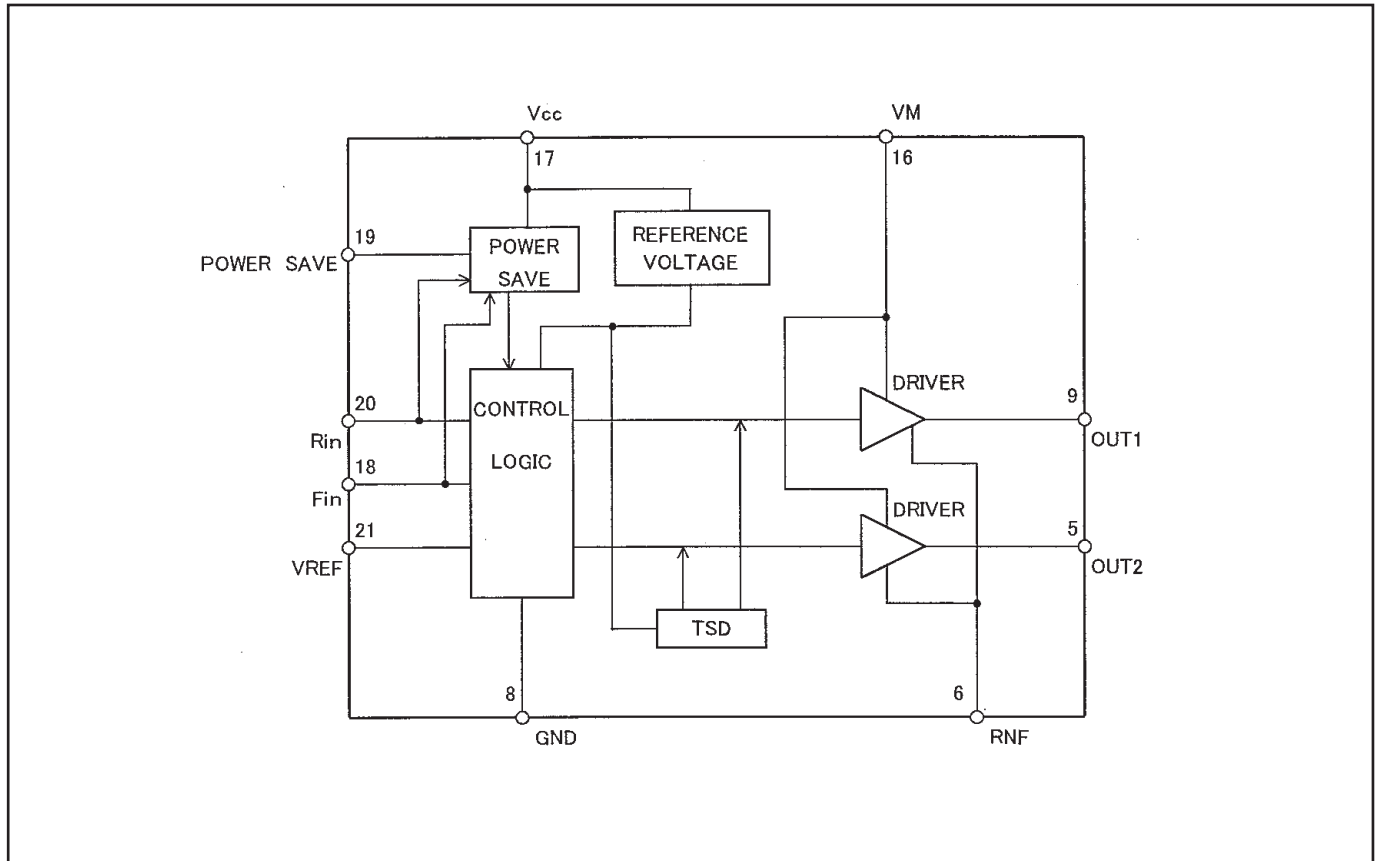
● AD8183 <Amp-SW, IC2001, IC5001>



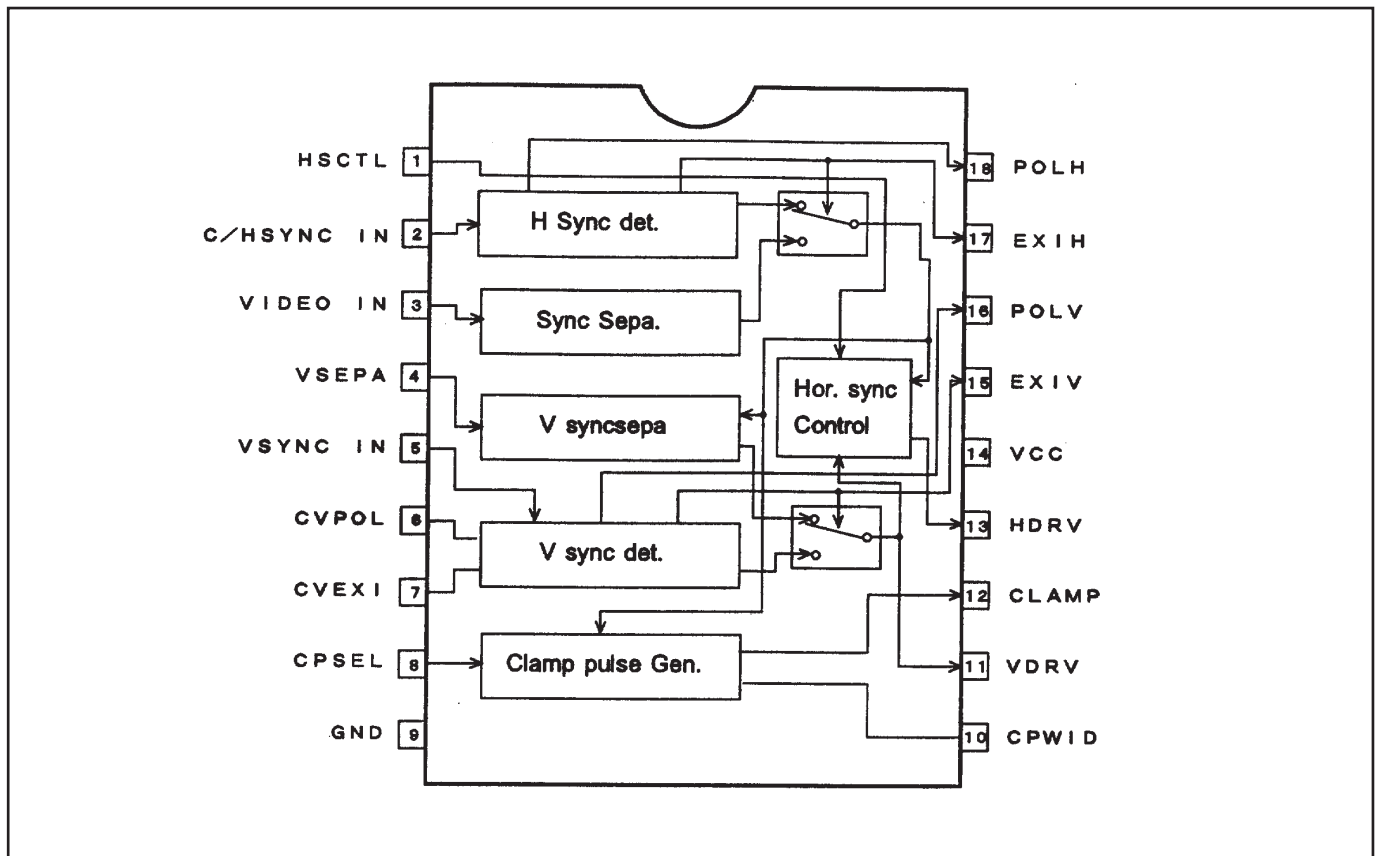
● BA6287 <Motor Drive Focus, Zoom, Shutter IC5501, IC5521, IC5561>



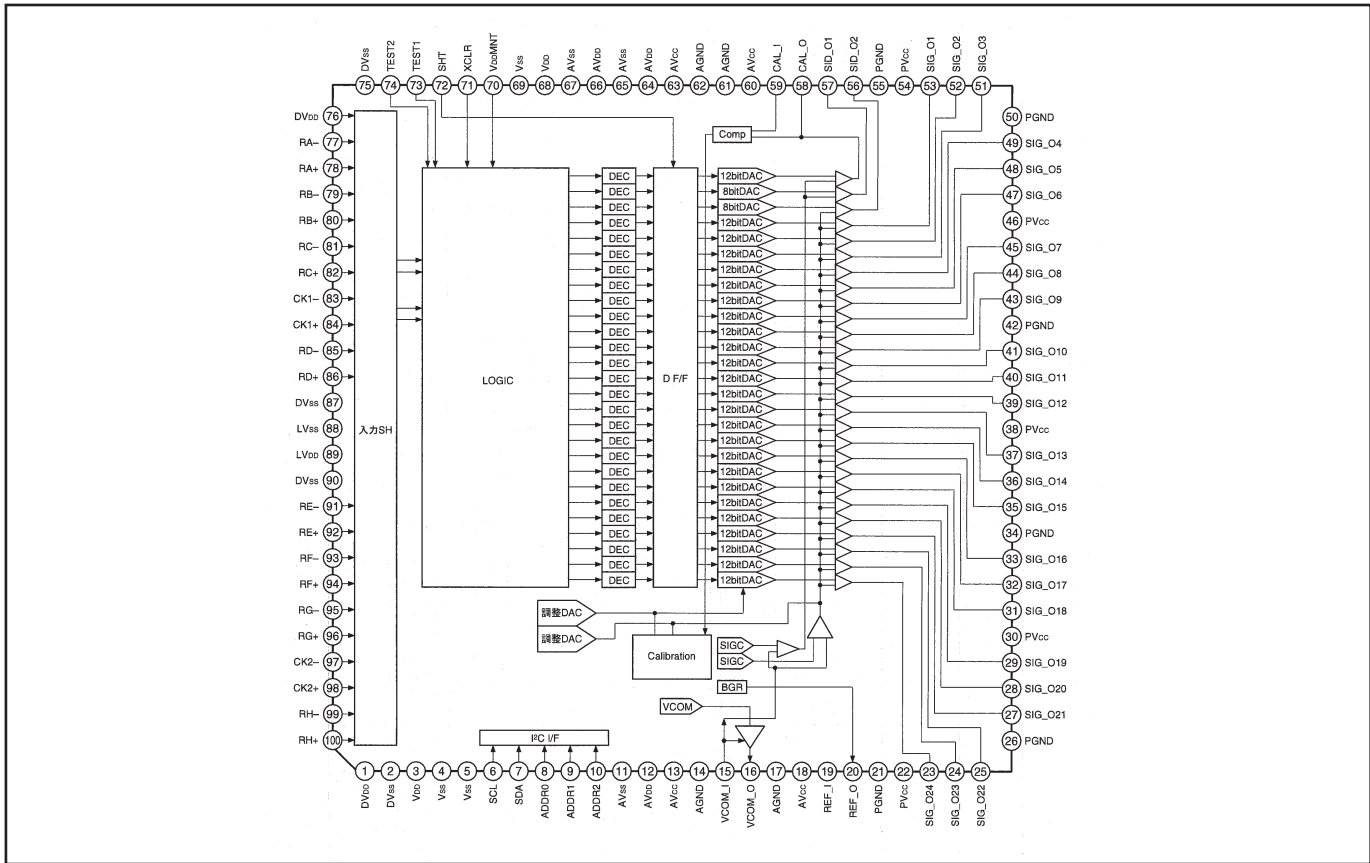
● BA6920 <Motor Drive Lens Shift Up/Down, Left/Right, IC6501, IC6521>



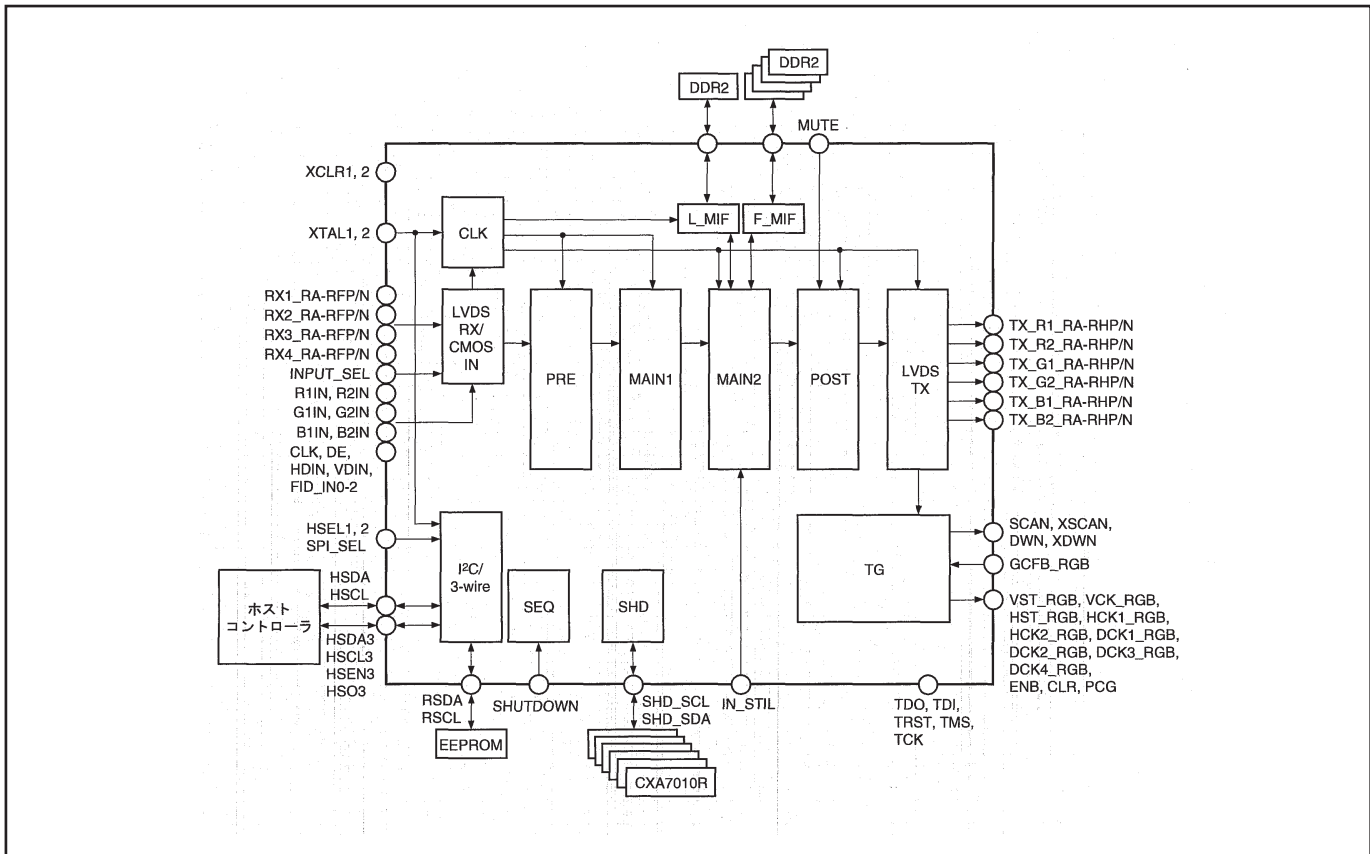
● BA7078 <Sync Separator, 1011>



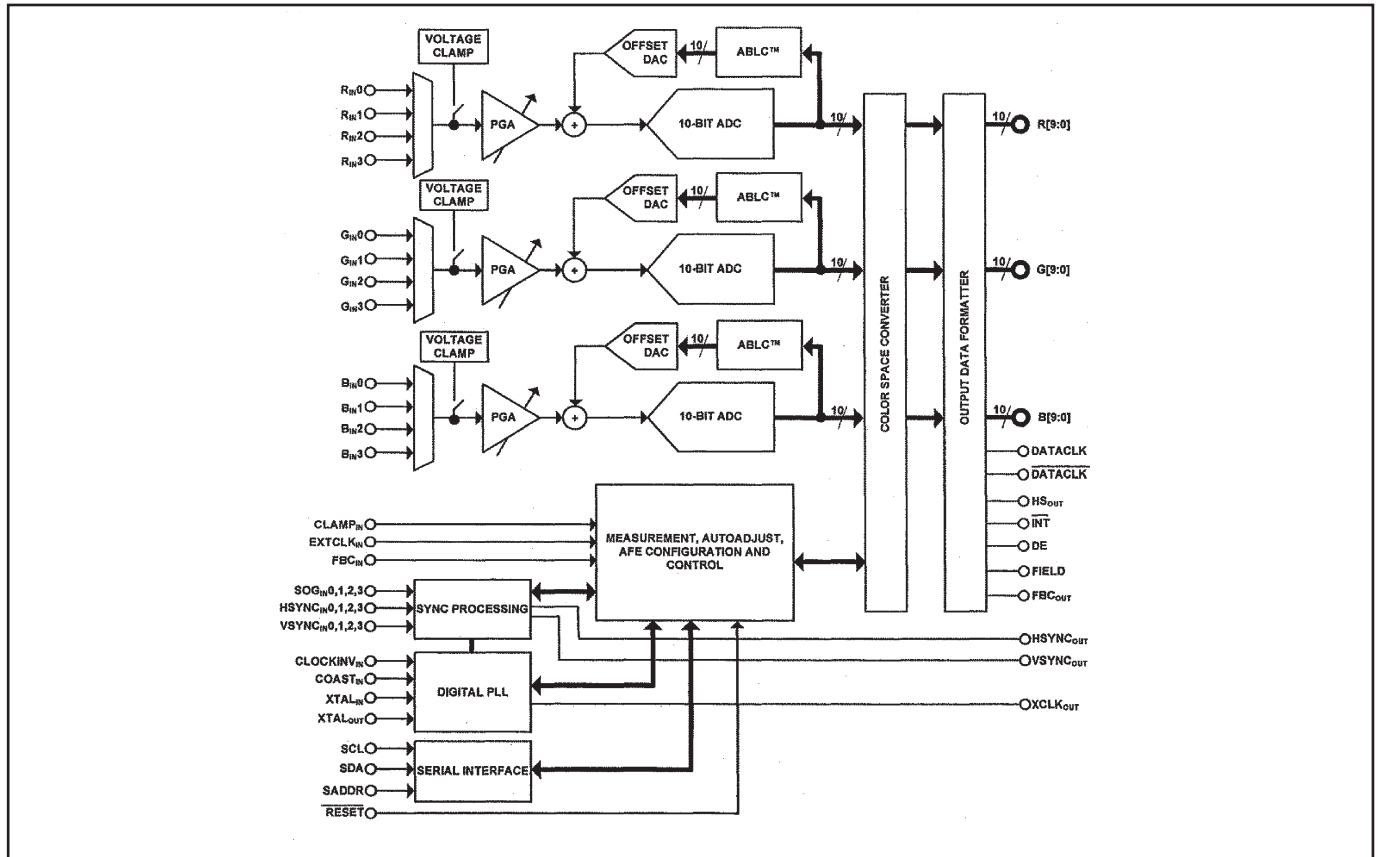
● CXA7010R <S&H, IC501, IC551, IC1501, IC1551, IC2501, IC2551>



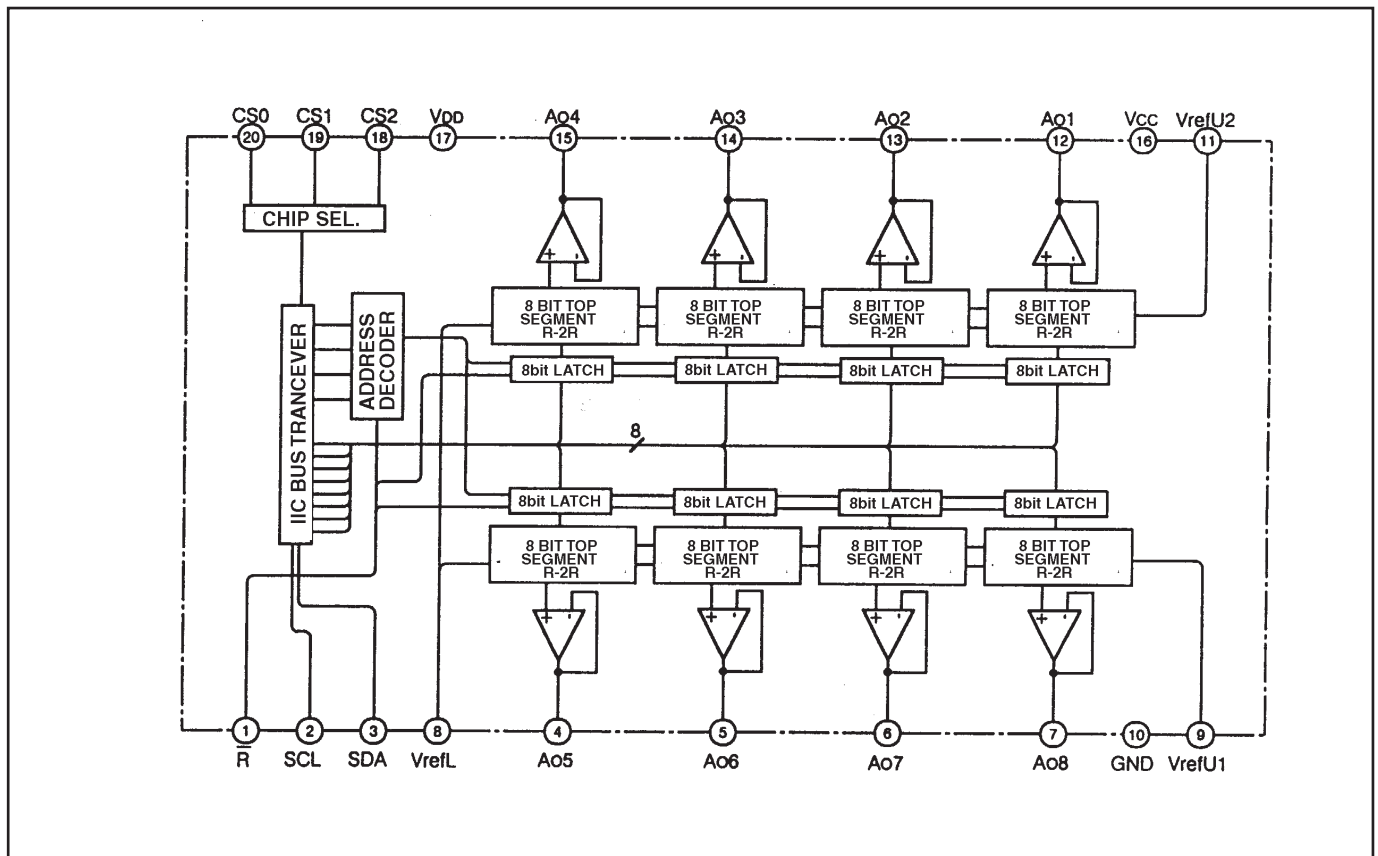
● CXD3550 <Digital Gamma Shift & LCD Driver, IC401>



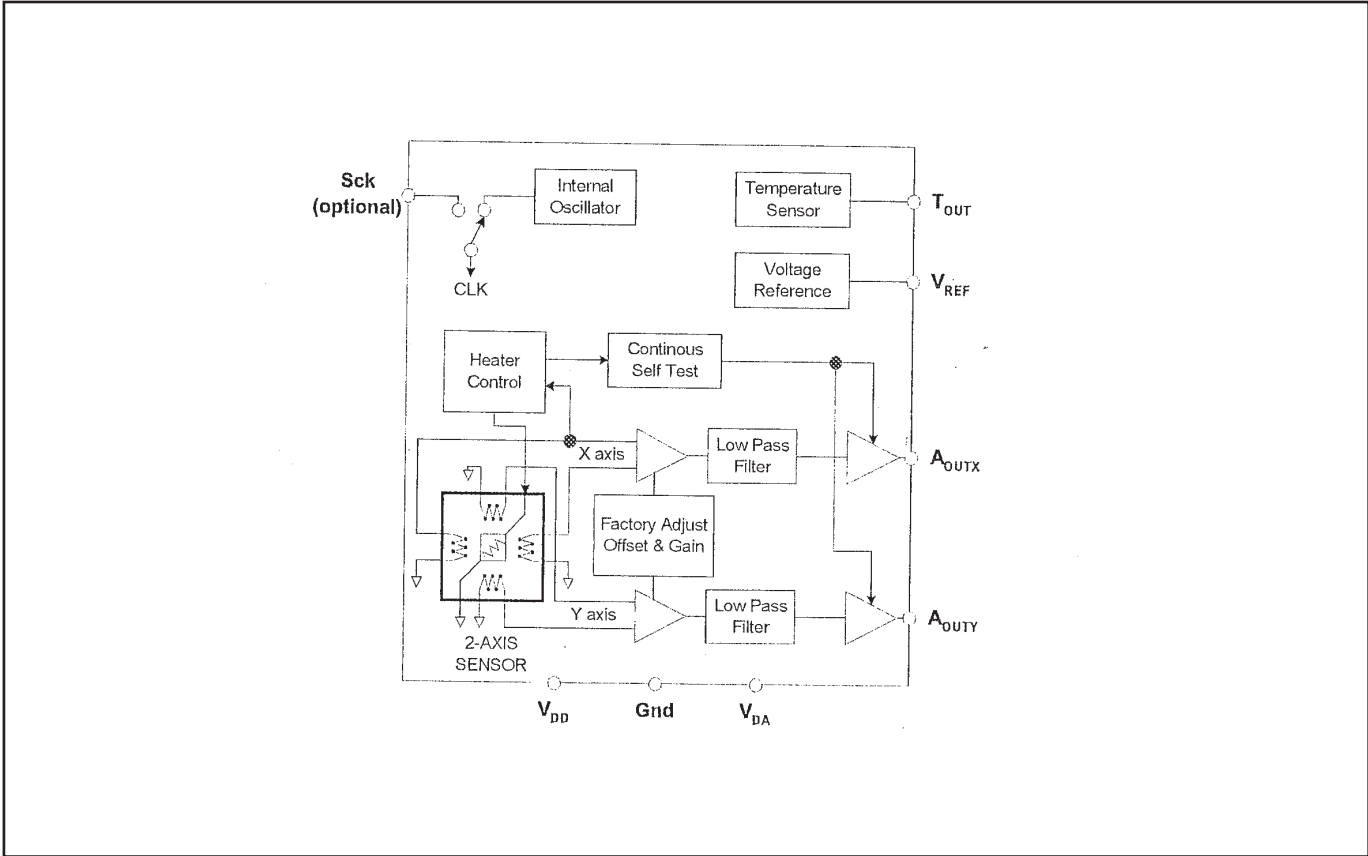
● ISL51002 <A/D Converter, IC2201>



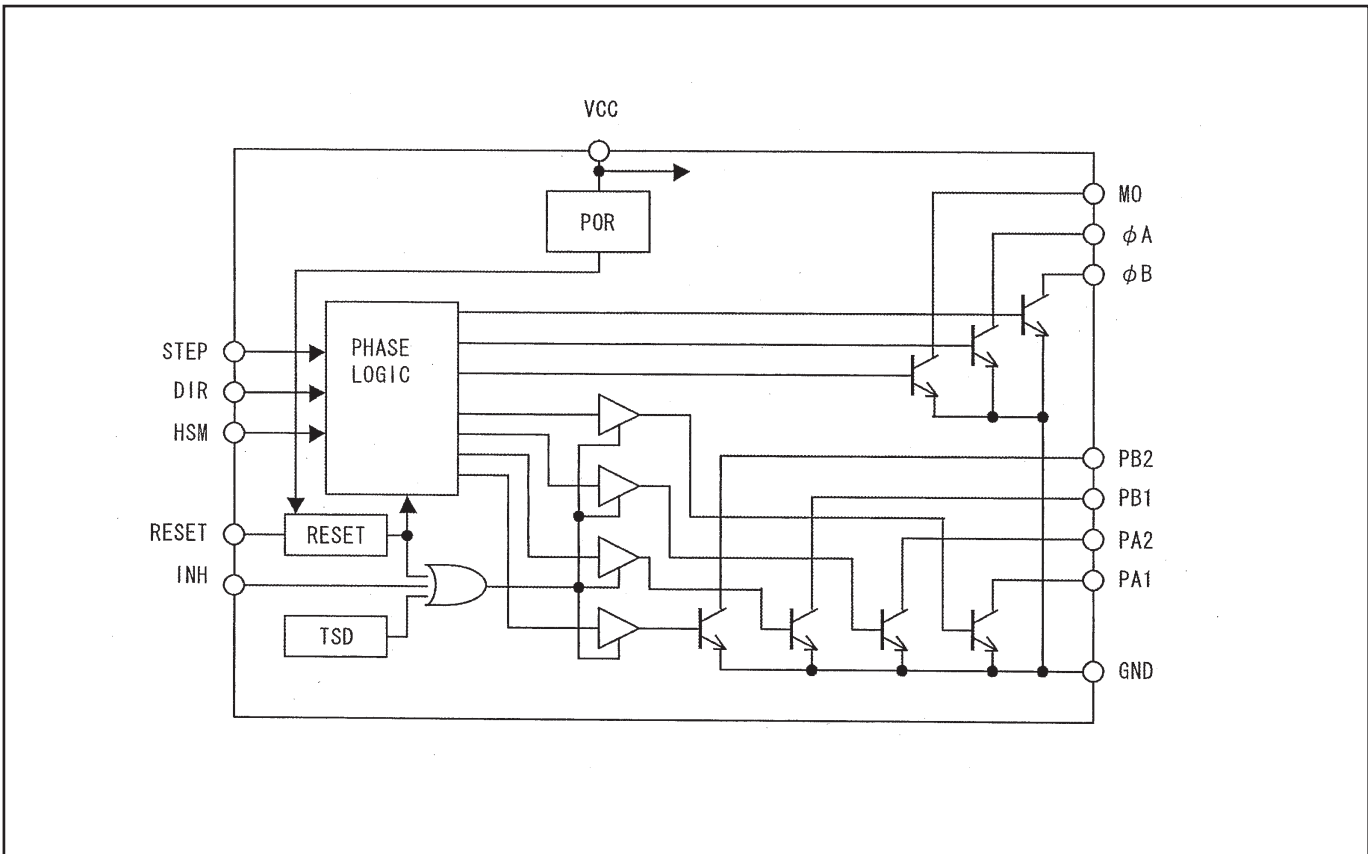
● M62393 <DAC, IC7801>



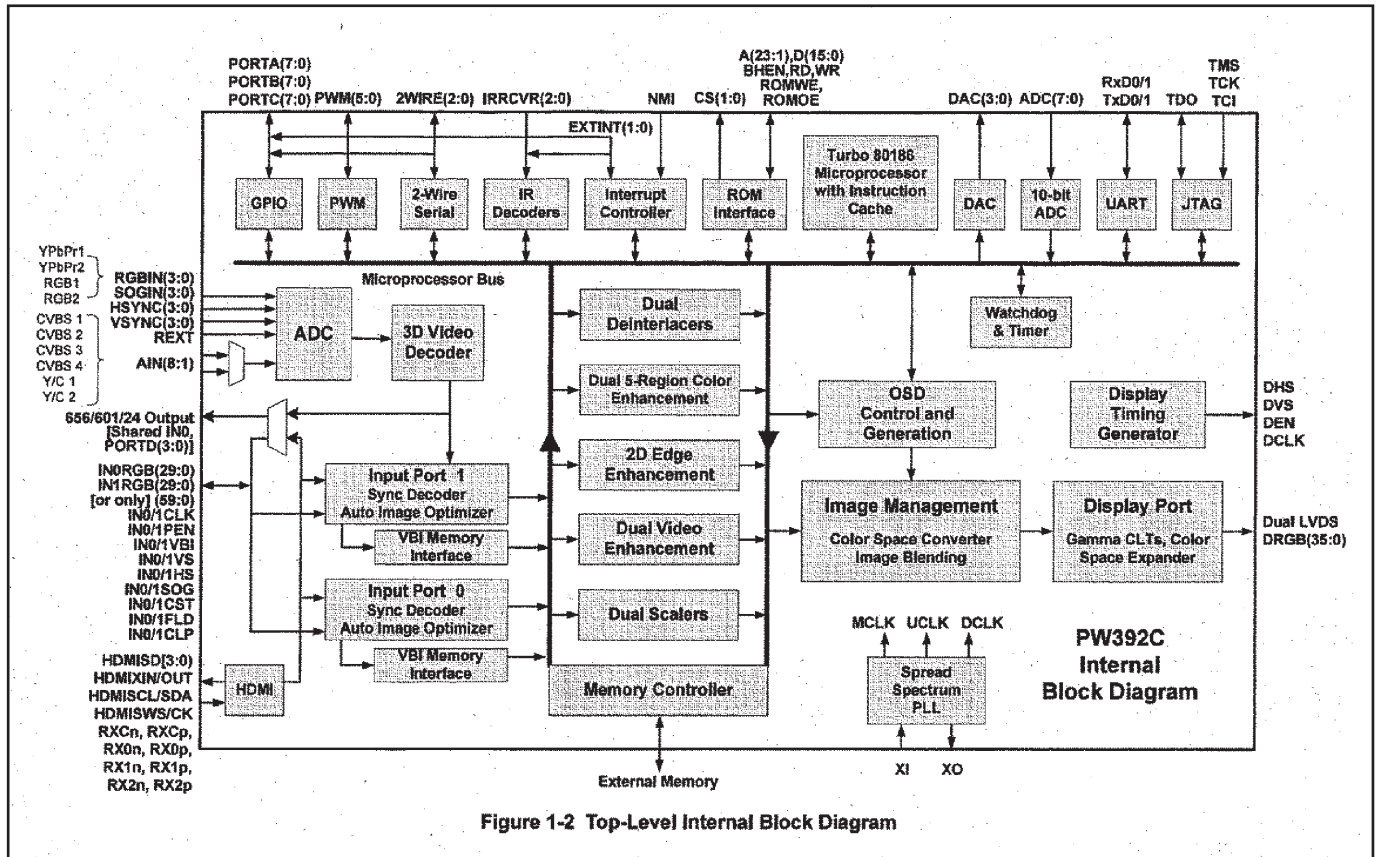
● MXA2500 <Dual Axis Accelerometer, IC1881, IC1882>



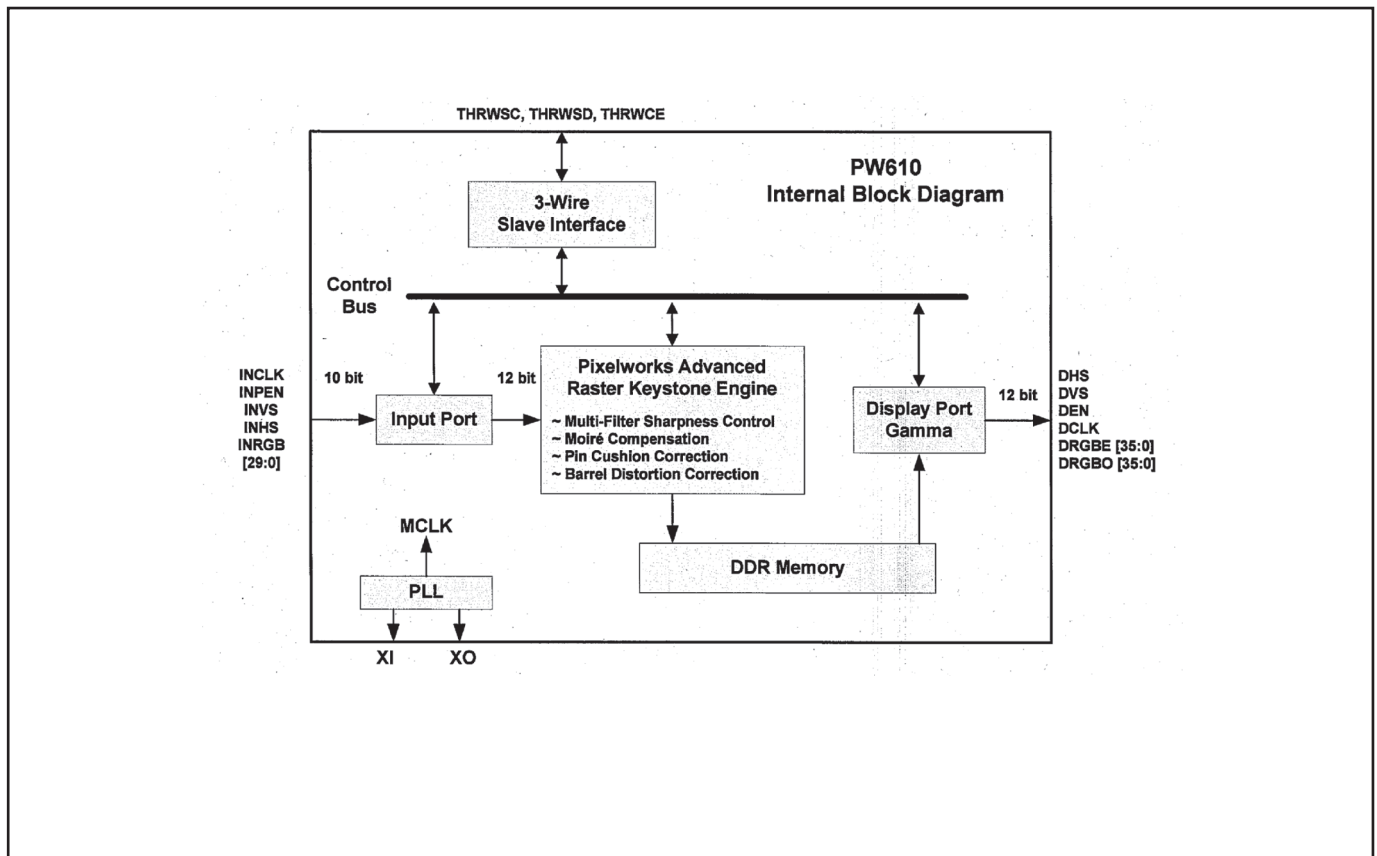
● NJM2671 <Motor Controller, IC5541>



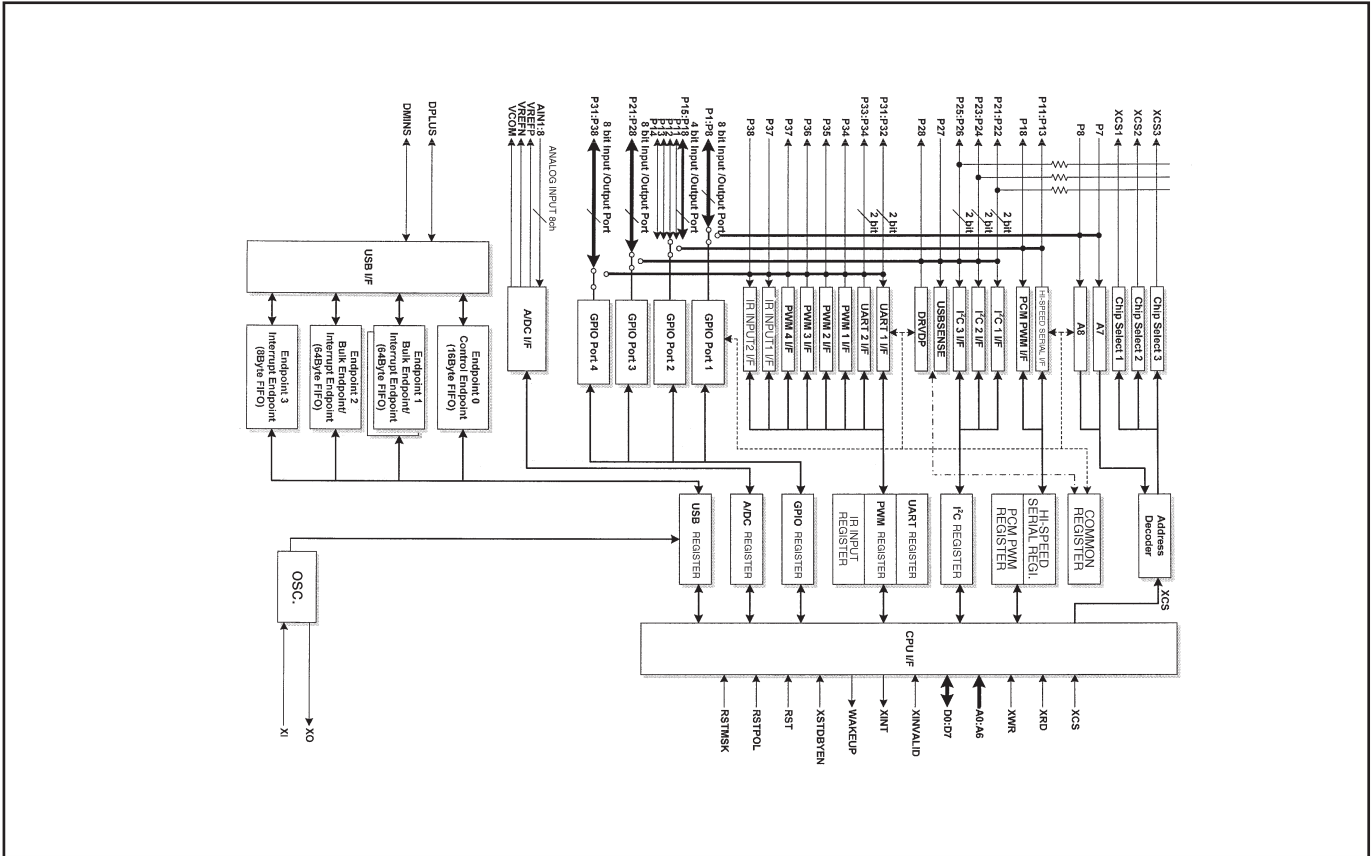
● PW392 <Scaler, IC301>



● PW610 <Keystone, IC2301>

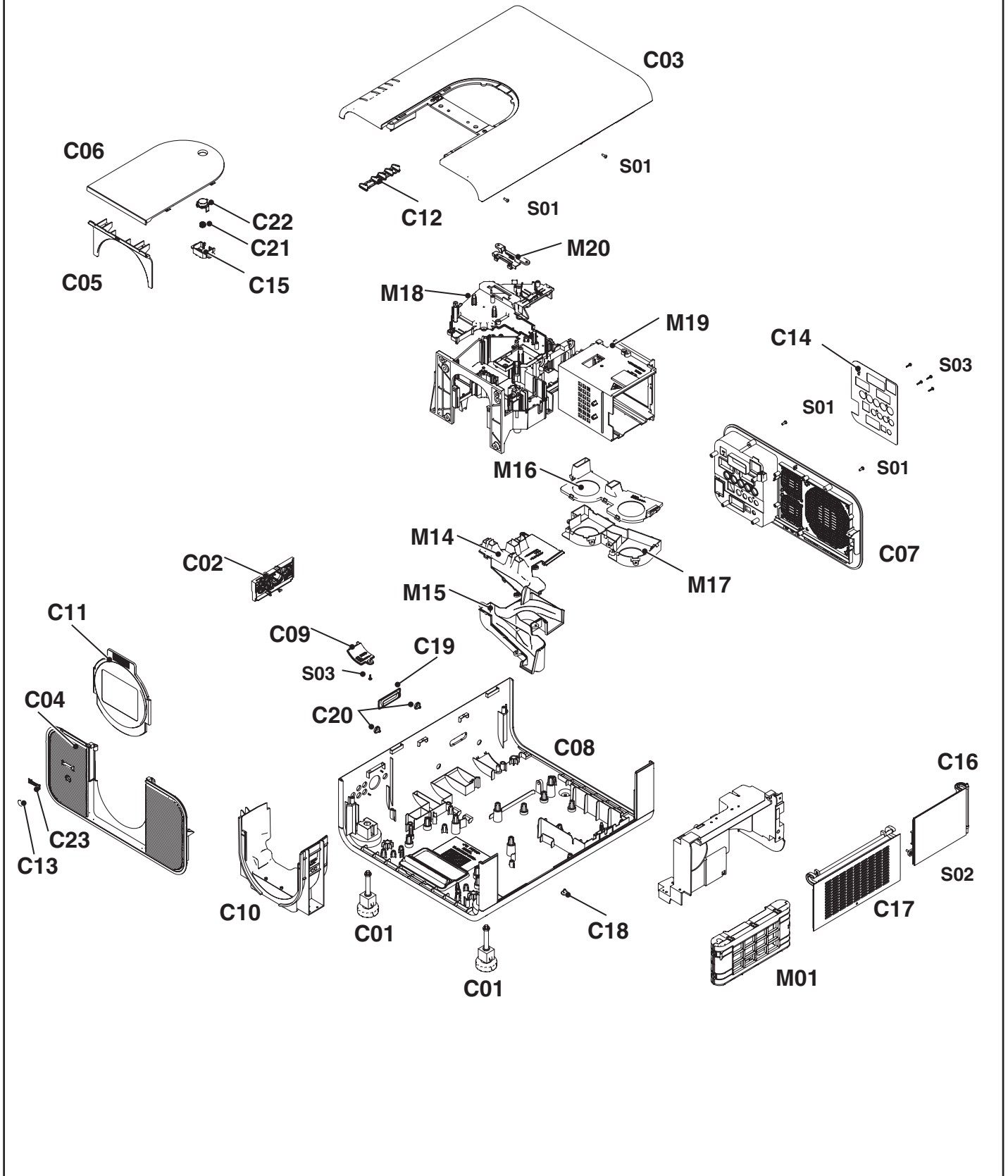


● TE7783 <I/O Expander, IC4801>



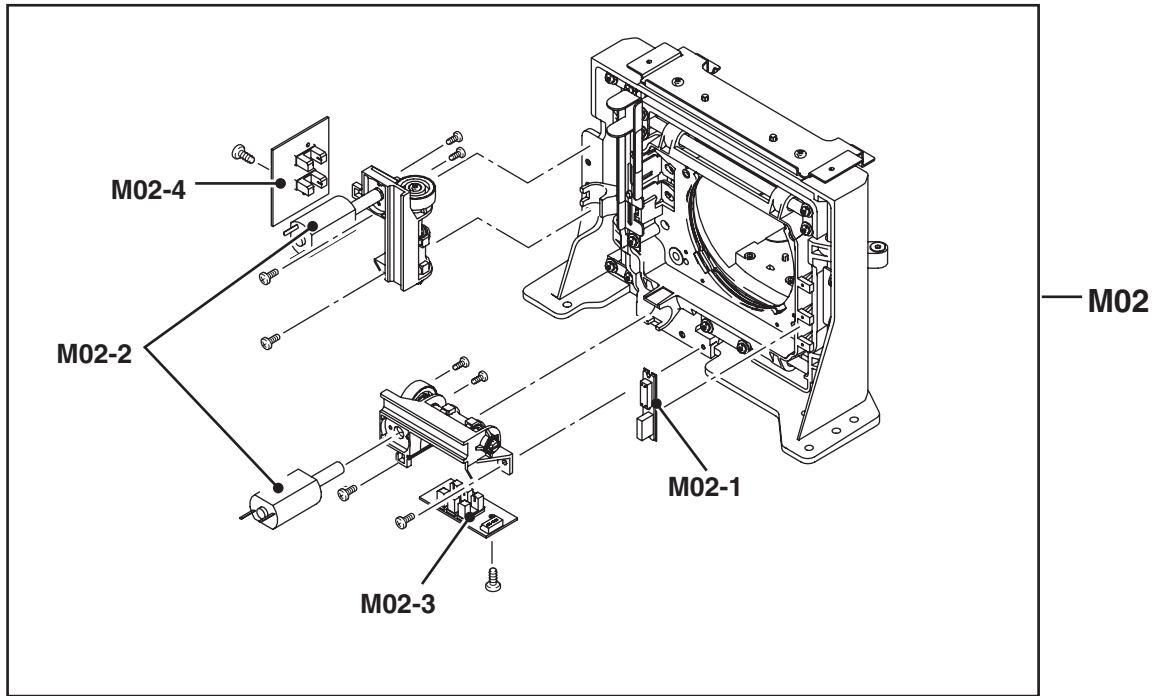
Mechanical Parts List

Cabinet Parts Location

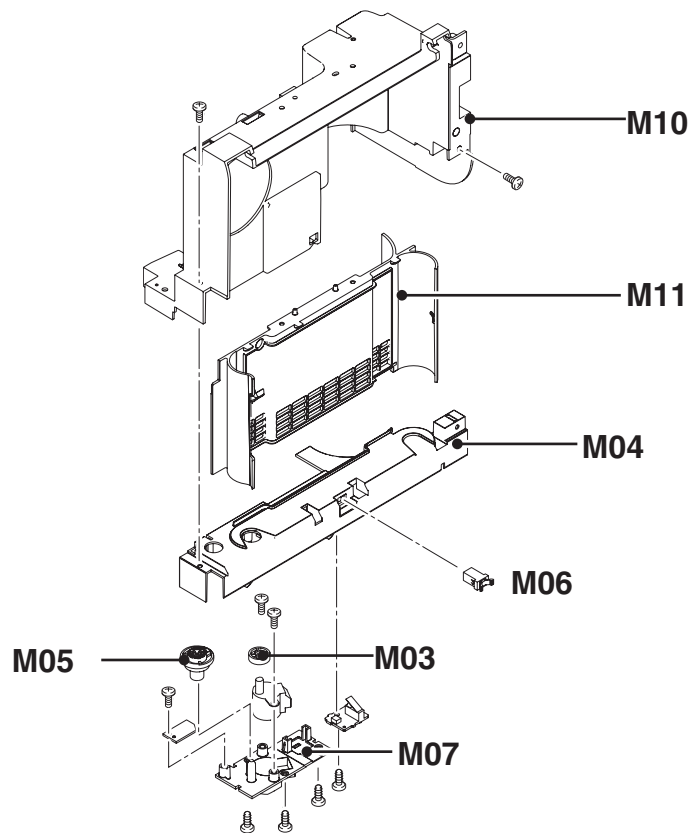


Mechanical Parts List

Lens Shift Assembly

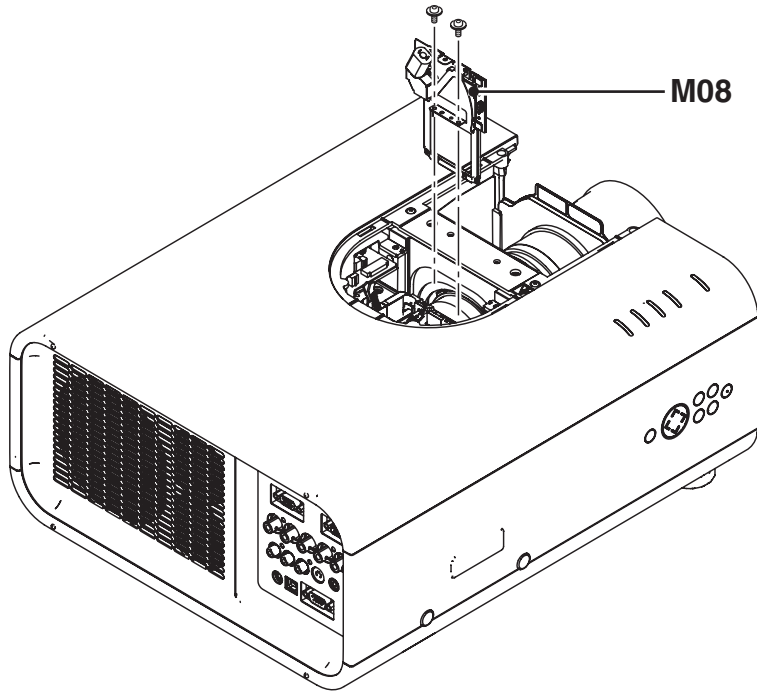


Filter Holder Assembly



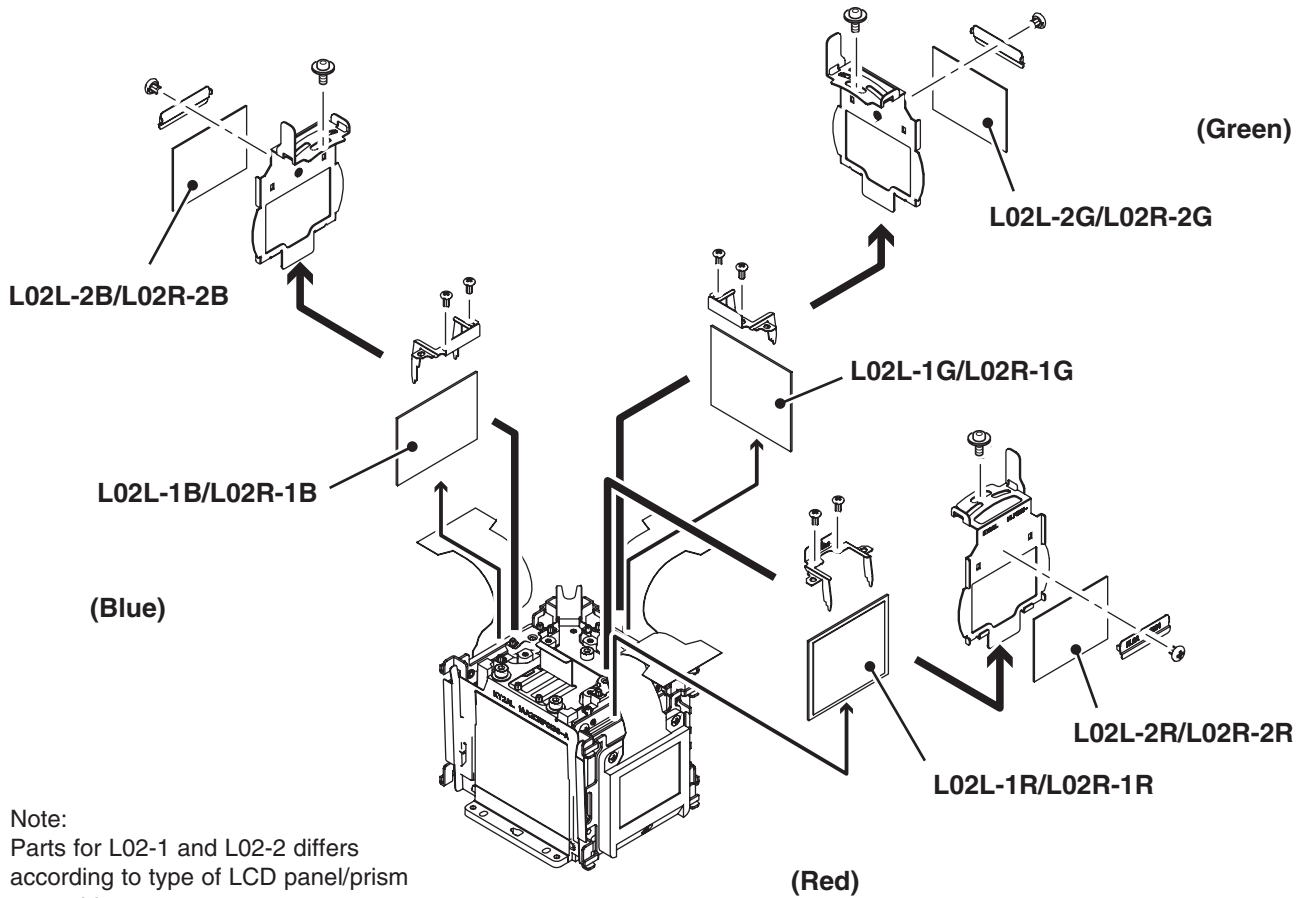
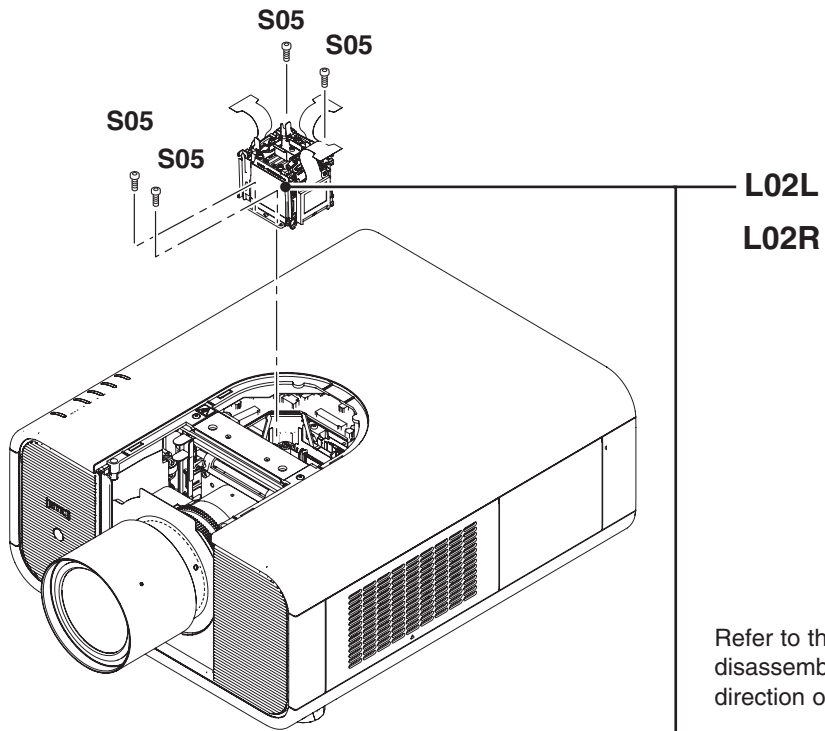
Mechanical Parts List

Shutter assembly



Mechanical Parts List

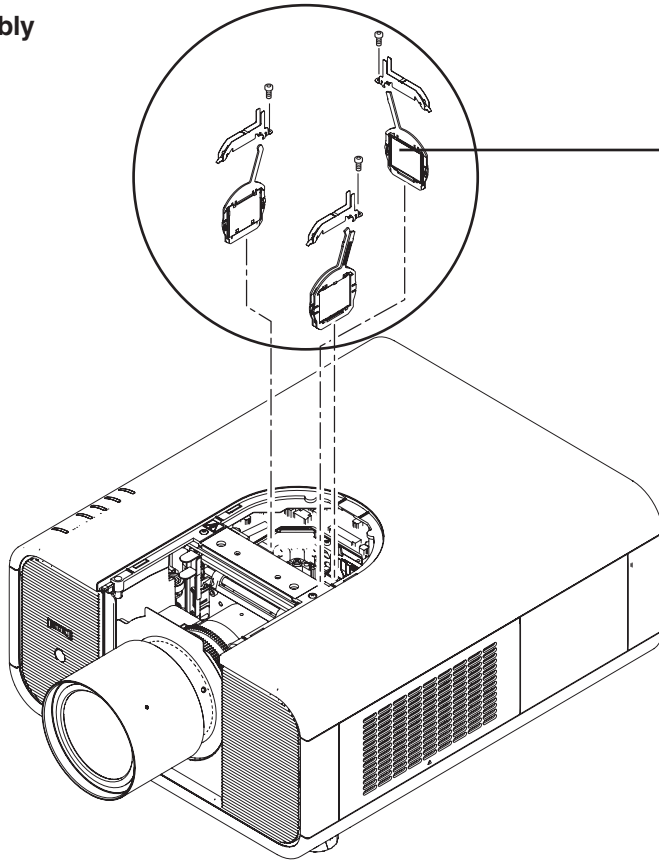
Panel/Prism Assembly



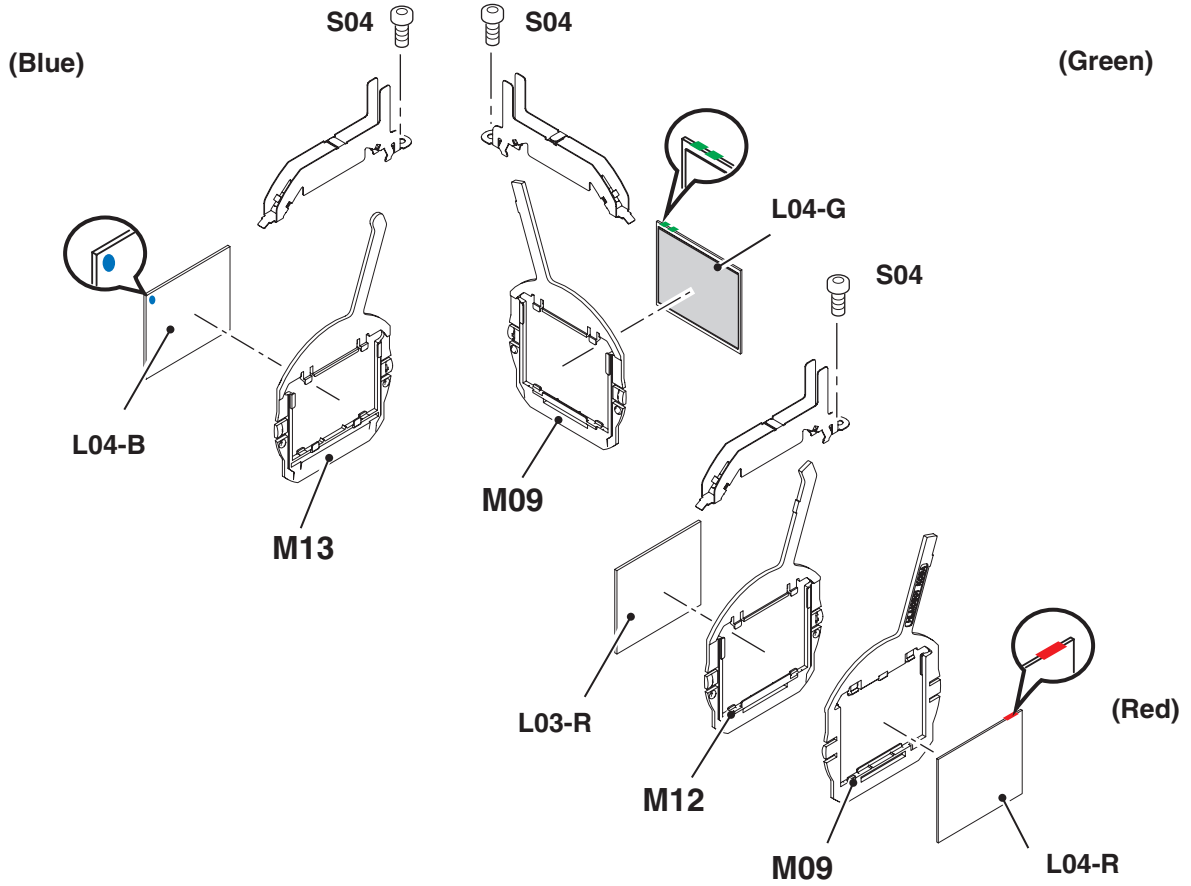
Note:
Parts for L02-1 and L02-2 differs
according to type of LCD panel/prism
assembly.

Mechanical Parts List

Polarized-In Assembly



Refer to the chapter of optical disassembly for the mounting direction of each part.

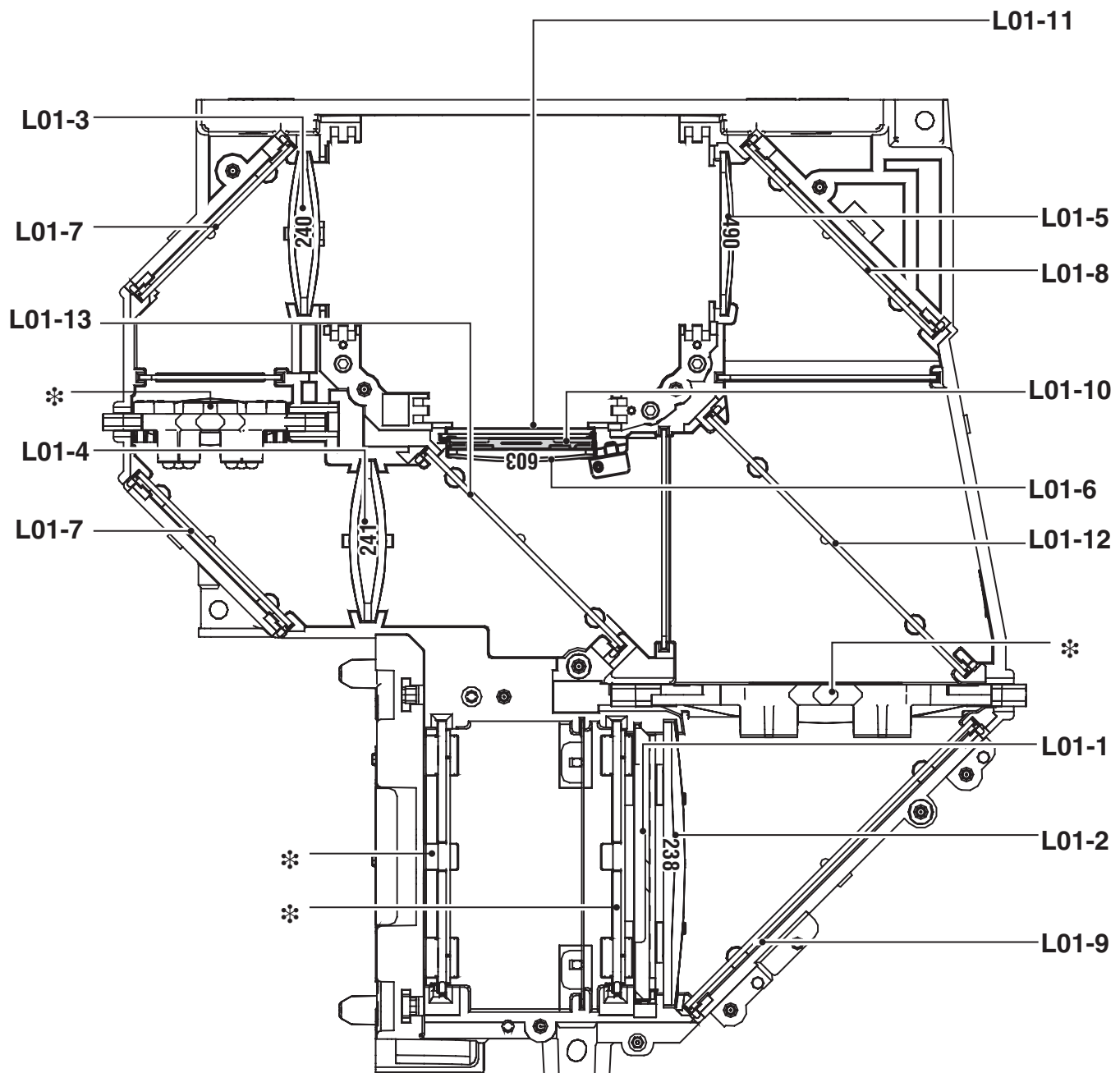


Mechanical Parts List

In the Optical Unit

L01

Refer to the chapter of optical disassembly
for the mounting direction of each part.



Note:

The parts indicated with (*) are fixed with the adhesive onto the optical base bottom, so these parts are not the replaceable parts.

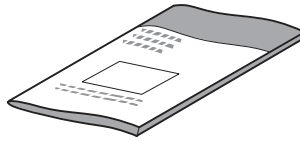
Mechanical Parts List

● **Accessories (see accessories parts list)**

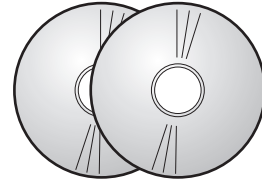
REMOTE CONTROL



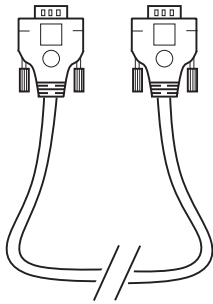
QUICK SETUP GUIDE



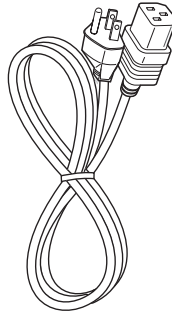
CD-ROMs



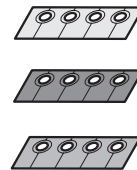
VGA CABLE



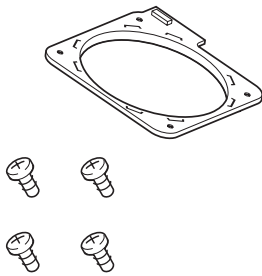
AC CORD



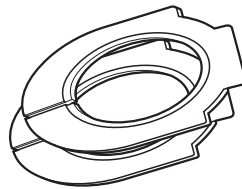
LENS SPACER



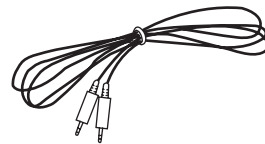
MOUNTING LENS ASSY



LENS COVER ASSY



RC CABLE



Mechanical Parts List

Mechanical Parts List

Note: Parts order must contain Chassis No., Part No., and Descriptions.

Key No. Part No.	Description	Key No. Part No.	Description
PACKING MATERIALS		C23 910 281 4324	BADGE EIKI-MA6B
610 357 1478	CARTON CASE-KY2BL	CHASSIS PARTS	
610 331 3016	CASE ACCESSORY-MZ7A	M01 610 342 9571	ASSY,BOX FILTER DOUBLE-KH7AL
610 335 0479	CUSHION SPACER-MZ7A	M02 610 334 3501	COMPL,HOLDER LNS SHIFT-KC3A
610 334 9275	CUSHION L-KC3A	M02-1 910 306 6630	ASSY,PWB,LENS-BASE NET MR3A
610 334 9374	CUSHION R-KC3A	M02-2 610 334 3891	ASSY,HOLDER MTR LNS-KC3A
645 096 4015	POLY BAG-0750X0600*NC*R8P	M02-3 645 092 6600	UNIT,LENS,SHIFT-X
ACCESSORIES		M02-4 645 092 6617	UNIT,LENS,SHIFT-Y
OWNER'S MANUAL		M03 610 334 3549	GEAR MOTOR-KC3A
610 357 5537	CD-ROM,OWNERS MANUAL-KY2BL	M04 610 357 2833	HOLDER FILTER BASE-KY2AL
610 357 5575	SETUP INST MANUAL-KY2BL	M05 610 336 9921	COMP,HOLDER SHAFT FILTER-KC3A
REMOTE CONTROL		M06 910 313 6678	LATCH-P8FK
645 105 0816	ASSY,REMOCON MXDE(SYANAI)	M07 610 334 4300	MTG HLD SHAFT FIL-KC3A
610 352 4450	RC-BATTERY LID-MXCB	M08 610 340 5469	COMPL,MOUNTING SHUTTER-KR7AL
AC CORD		M09 610 334 3051	HOLDER POL IN A-KC3A
US 945 064 6363	CORD,POWER-3.0MK,US	M10 610 334 2849	HOLDER FILTER COVER-KC3A
EU 945 054 1156	CORD,POWER-3.0MK	M11 610 334 2771	HOLDER FILTER-KC3A
HK 945 054 1149	CORD,POWER-3.138MK	M12 610 341 1484	HOLDER POL IN A-KR7AL
MISCELLANEOUS		M13 610 356 8010	HOLDER POL IN-KY2AL
610 339 2950	ASSY,COVER LENS GH-KC3AL	M14 610 356 8041	MTG DUCT TOP LCD-KY2AL
610 331 7601	ASSY,MOUNTING LENS W-MR3A	M15 610 356 8058	MTG DUCT BTM LCD-KY2AL
910 301 6659	ASSY,SPACER BF-MY8A	M16 610 356 8065	MTG DUCT TOP LMP-KY2AL
610 353 7887	CD-ROM(PJ NW MANAGER)	M17 610 356 8089	MTG DUCT BTM LMP-KY2AL
945 069 2155	CABLE,FXAF	M18 610 341 1637	OPTICAL BASE TOP-KR7AL
945 073 4855	CABLE,INTERFACE VGA	M19 610 357 0587	OPTICAL LMP COVER UV-KY2AL
645 093 1642	CABLE,INTERFACE VGA	M20 610 341 4935	ASSY,COVER YE-KR7AL
645 104 2705	CABLE,INTERFACE VGA	SCREWS	
652 002 9552	CABLE,INTERFACE VGA	S01 411 189 8600	SCR BIN 3X8
MECHANICAL PARTS		S02 312 069 8300	SPECIAL SCREW W
CABINET PARTS		S03 411 189 7207	SCR S-TPG BIN 3X8
C01 610 335 5092	COMPL,STAND LEG-KC3BL	S04 411 189 6606	BOLT HEX-SCT 2.5X6
C02 610 341 2078	BUTTON CONT-KR7BL	S05 312 074 7107	SPECIAL SCREW V
C03 610 357 1386	CABINET TOP-KY2BL	OPTICAL PARTS	
C04 610 335 2121	CABINET FRONT-KC3BL	L01 610 357 5421	COMPL,OPTICAL-KY2AL
C05 610 335 2367	CABINET FRONT COVER F-KC3BL	(Including Key No. L01-1 to L01-13)	
C06 610 341 2184	CABINET FRONT COVER T-KR7BL	L01-1 645 105 0236	PRISM(PBS)
C07 610 356 7969	CABINET BACK-KY2AL	L01-2 945 047 2856	LENS,CONDENSER(IN)
C08 610 357 1409	CABINET BOTTOM-KY2BL	L01-3 945 047 2870	LENS,CONDENSER(R)
C09 610 341 2191	COVER FUSE-KR7BL	L01-4 945 047 2887	LENS,RELAY(IN)
C10 610 341 2535	COVER HANDLE-KR7BL	L01-5 945 085 7844	LENS,CONDENSER (B)
C11 610 334 2054	COVER NON LENS-KC3AL	L01-6 645 097 3109	LENS,CONDENSER (G)
C12 610 334 3303	DEC INLAY LED-KC3A	L01-7 945 044 2576	MIRROR(R)
C13 910 302 5613	DEC SHEET-M4JA	L01-8 945 047 7516	MIRROR(B)
C14 610 356 7990	DEC AV SHEET-KY2AL	L01-9 945 086 2992	MIRROR(W-COLD)
C15 610 334 2139	HOLDER STOPPER-KC3A	L01-10 645 105 0274	OPTICAL FILTER(LC-CS)
C16 610 341 2207	PANEL LMP-KR7BL	L01-11 645 093 0027	POLARIZED GLASS(IN/G/B)
C17 610 341 2221	PANEL FILTER-KR7BL	L01-12 945 047 2924	DICHROIC MIRROR (B)
C18 910 293 9973	SPACER LEG-MA8A	L01-13 645 098 9360	DICHROIC MIRROR (G)
C19 910 298 8575	SPACER COVER NWMG-MA8BA	Type-L LCD Panel/Prism Assy	
C20 910 298 8582	SPACER COVER SCREW NWMG-MA8BA	L02L 610 357 5438	ASSY,PNL/PSM L-KY2AL
C21 610 334 2023	SPRING STOPPER-KC3A	(Including Key No. L02L-1R to L02L-2B and LCD Panels)	
C22 610 341 2238	STOPPER COVER TOP-KR7BL	L02L-1R 645 103 5943	OPTICAL FILTER (ICV)
		L02L-1G 645 103 5950	OPTICAL FILTER (ICV)
		L02L-1B 645 103 5943	OPTICAL FILTER (ICV)
		L02L-2R 645 105 0625	POLARIZED GLASS(OUT/R)1
		L02L-2G 645 105 0632	POLARIZED GLASS(OUT/G)1
		L02L-2B 645 105 0656	POLARIZED GLASS(OUT/B)1

Mechanical Parts List

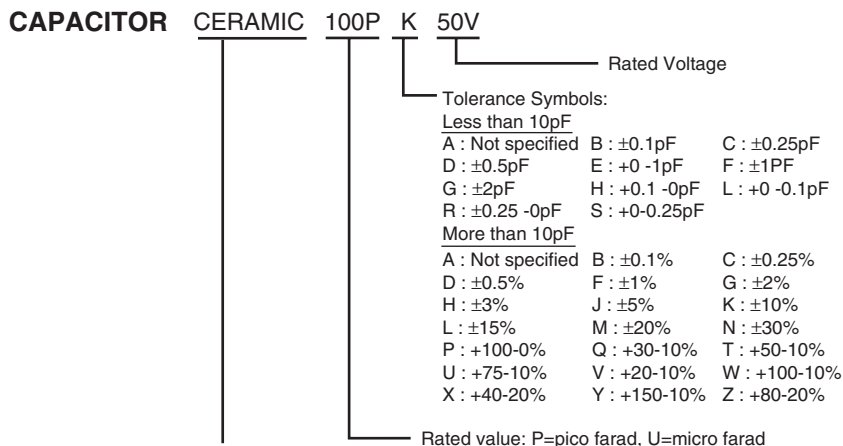
Key No.	Part No.	Description	Key No.	Part No.	Description
Type-R LCD Panel/Prism Assy					
L02R	610 357 5445	ASSY,PNL/PSM R-KY2AL (Including Key No. L02R-1R to L02R-2B and LCD Panels)			
L02R-1R	645 103 5950	OPTICAL FILTER (ICV)			
L02R-1G	645 103 5943	OPTICAL FILTER (ICV)			
L02R-1B	645 103 5950	OPTICAL FILTER (ICV)			
L02R-2R	645 105 0625	POLARIZED GLASS(OUT/R)1			
L02R-2G	645 105 0632	POLARIZED GLASS(OUT/G)1			
L02R-2B	645 105 0656	POLARIZED GLASS(OUT/B)1			
Common					
L03-R	645 103 0726	POLARIZED GLASS(IN/R)			
L04-R	645 105 0618	POLARIZED GLASS(IN/R)1			
L04-G	645 105 1653	POLARIZED GLASS(IN/G)2			
L04-B	645 105 0649	POLARIZED GLASS(IN/B)1			
* There are 2 types (Type-L or Type-R) of LCD panel/prism assy. Used type is indicated on the prism assy. Refer to item "LCD panel/prism assy removal" for further information.					
SERVICE TOOLS					
	610 357 7548	CD-ROM,PJ SVC TOOL V421			

Electrical Parts List

Product safety should be considered when a component replacement is made in any area of a projector. Components indicated by a Δ mark in this parts list and the circuit diagram show components whose value have special significance to product safety. It is particularly recommended that only parts specified on the following parts list be used for components replacement pointed out by the mark.

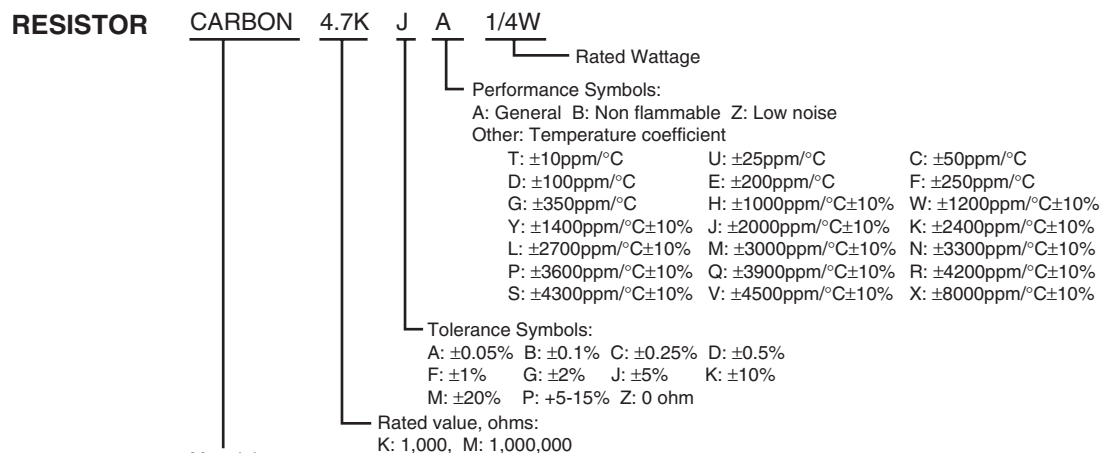
● Read Description in the parts list

Read description in the Capacitor and Resistor as follows:



Material:

- CERAMIC..... Ceramic
- MT-PAPER..... Metallized Paper
- POLYESTER..... Polyester
- MT-POLYEST.....Metallized Polyester
- POLYPRO..... Polypropylene
- MT-POLYPRO.....Metallized Polypropylene
- COMPO FILM..... Composite film
- MT-COMPO.....Metallized Composite
- STYRENE.....Styrene
- TA-SOLID..... Tantalum Oxide Solid Electrolytic
- AL-SOLID..... Aluminium Solid Electrolytic
- ELECT..... Aluminum Foil Electrolytic
- NP-ELECT..... Non-polarised Electrolytic
- OS-SOLID..... Aluminium Solid with Organic Semiconductive Electrolytic
- POS-SOLID..... Polymerized Organic Semiconductive
- DL-ELECT..... Double Layered Electrolytic
- PPS-FILM.....Polyphenylene Sulfide Film
- MT-PPS-FILM.....Metalized Polyphenylene Sulfide Film
- MT-PEN-FILM.....Metalized Polyethylenenaphthalate Film
- CAPACITOR.....Other



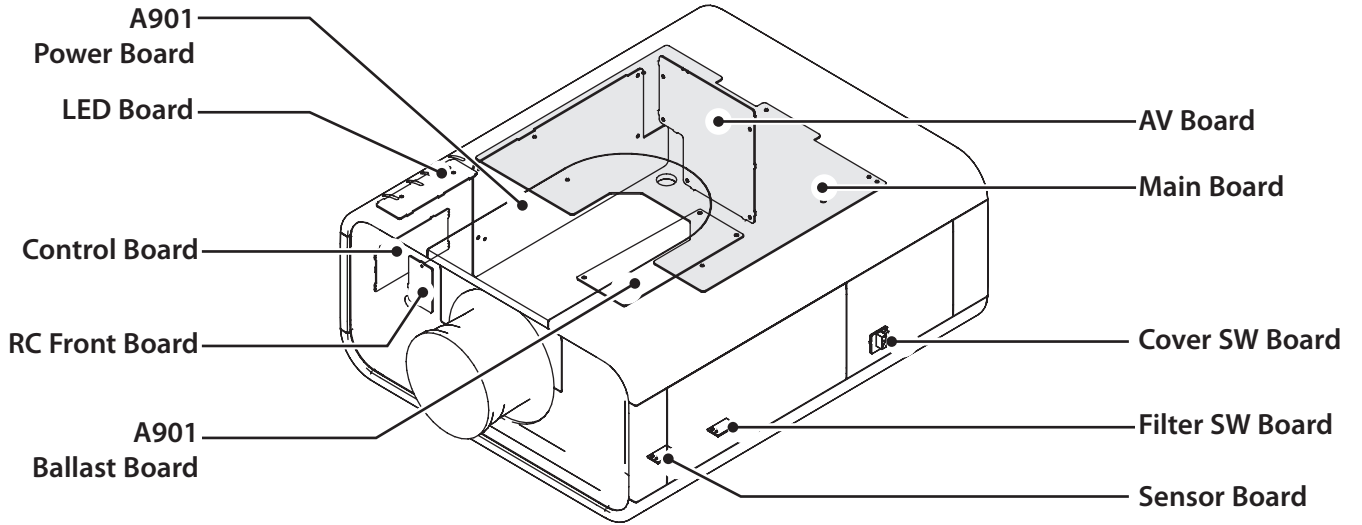
Material:

- CARBON..... Carbon
- MT-FILM..... Metal Film
- OXIDE-MT..... Oxide Metal Film
- SOLID..... Composition
- MT-GLAZE..... Metal Glaze
- WIRE WOUND... Wire Wound
- CERAMIC RES.. Ceramic
- FUSIBLE RES.... Fusible
- RESISTOROther

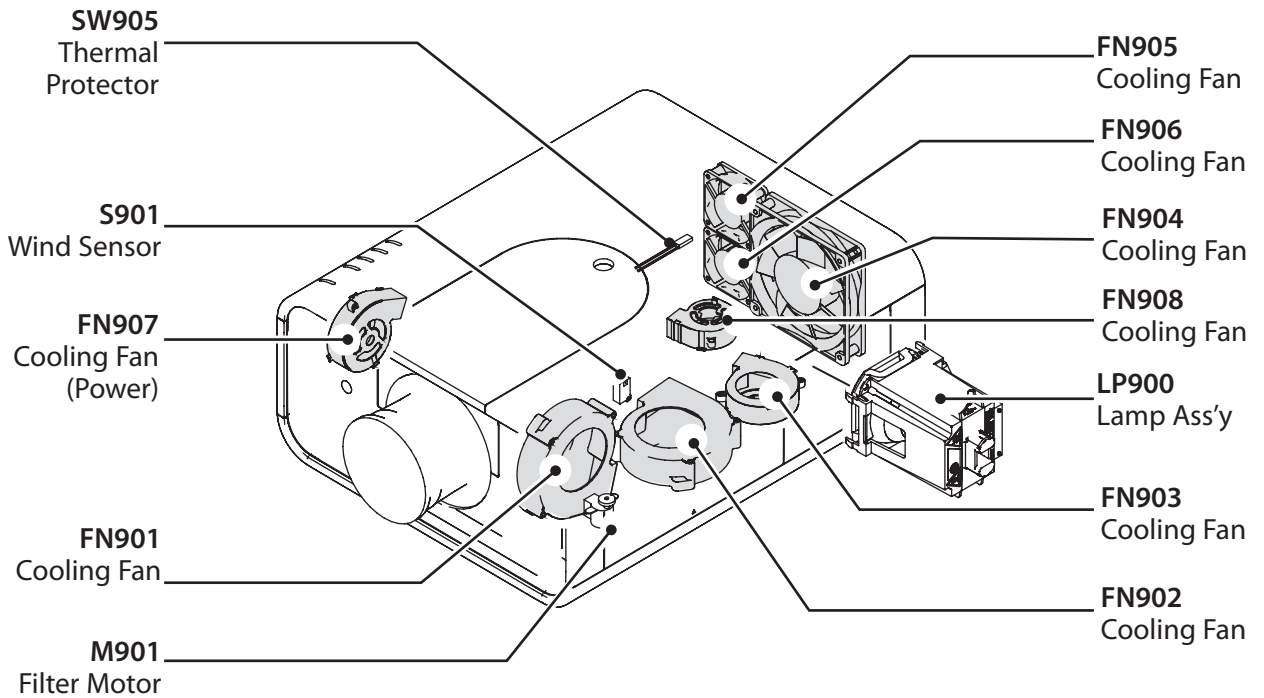
Electrical Parts List

Electrical Parts Location

● Assembled Boards



● Out Of Circuit Board



Electrical Parts List

Electrical Parts List

Note: Parts order must contain Chassis No., Part No., and Descriptions.

Key No.	Part No.	Description	Key No.	Part No.	Description
ASSEMBLED BOARDS			DIODE		
△ A6870	610 356 6986	ASSY,PWB,CONTROL KY2AL	D6871	307 222 5916	ZENER DIODEUDZS3.6B-TE-17
△ A6600	610 356 6993	ASSY,PWB,SENSOR KY2AL	D6872	307 163 0414	DIODE 1SS352-(TPH3)
△ A800	610 357 5131	ASSY,PWB,MAIN KY2BL	D6873	307 222 5916	ZENER DIODEUDZS3.6B-TE-17
△ A100	610 356 7013	ASSY,PWB,A/V KY2AL	D6874	307 163 0414	DIODE 1SS352-(TPH3)
△ A1600	610 356 7020	ASSY,PWB,R/C FRONT KY2AL	D6875	307 222 5916	ZENER DIODEUDZS3.6B-TE-17
△ A1800	610 356 7037	ASSY,PWB,COVER SW KY2AL	D6876	307 163 0414	DIODE 1SS352-(TPH3)
△ A6800	610 356 7044	ASSY,PWB,LED KY2AL	D6877	307 222 5916	ZENER DIODEUDZS3.6B-TE-17
△ A1880	610 356 7051	ASSY,PWB,FILTER SW KY2AL	D6878	307 222 5916	ZENER DIODEUDZS3.6B-TE-17
OUT OF CIRCUIT BOARD			D6879	307 222 5916	ZENER DIODEUDZS3.6B-TE-17
L901	945 003 3811	CORE,FERRITE	D6880	307 222 5916	ZENER DIODEUDZS3.6B-TE-17
L902	945 003 3835	CORE,FERRITE	D6895	407 273 8314	ZD DIODE DZ2J120M0L
L903	645 085 6051	CORE,FERRITE	MISCELLANEOUS		
	945 050 8418	CORE,CLAMP	SW6871	945 026 2792	SWITCH,PUSH 1P-1TX1
L904	945 003 3835	CORE,FERRITE	SW6872	945 026 2792	SWITCH,PUSH 1P-1TX1
L905	945 003 3811	CORE,FERRITE	SW6873	945 026 2792	SWITCH,PUSH 1P-1TX1
L906	945 003 3811	CORE,FERRITE	SW6874	945 026 2792	SWITCH,PUSH 1P-1TX1
△ LP900	610 357 0464	COMPL,OPT LMP SERVICE-KY2AL	SW6875	945 026 2792	SWITCH,PUSH 1P-1TX1
△ A901	645 103 2416	UNIT,BALLAST	SW6876	945 026 2792	SWITCH,PUSH 1P-1TX1
△ A901A	610 337 6370	CABLE,BALLAST SERVICE KC3AL	SW6877	945 026 2792	SWITCH,PUSH 1P-1TX1
△ A902	645 105 0281	UNIT,POWER(AC)	SW6878	945 026 2792	SWITCH,PUSH 1P-1TX1
△ FN901	645 093 0973	MOTOR,BLW DC 10.8W	SW6879	945 026 2792	SWITCH,PUSH 1P-1TX1
△ FN902	645 098 0497	MOTOR,BLW DC 12.0W	SW6880	945 026 2792	SWITCH,PUSH 1P-1TX1
△ FN903	645 105 1707	MOTOR,BLW DC 2.76W	A6600 610 356 6993 ASSY,PWB,SENSOR KY2AL		
△ FN904	645 093 0959	MOTOR,FAN DC 2.52W	CAPACITOR		
△ FN905	645 105 1691	MOTOR,FAN DC 1.32W	C1801	303 438 0219	CERAMIC 0.1U K 16V
△ FN906	645 105 1691	MOTOR,FAN DC 1.32W		303 409 3426	CERAMIC 0.1U K 16V
△ FN907	645 105 1707	MOTOR,BLW DC 2.76W	RESISTOR		
△ FN908	645 105 1714	MOTOR,BLW DC 2.76W	R1898	301 226 1516	MT-GLAZE 0.000 ZA 1/16W
△ M901	645 093 2571	MOTOR,DC 12V	R1899	301 226 1516	MT-GLAZE 0.000 ZA 1/16W
S901	645 103 4106	UNIT,WIND VELOCITY SENSOR	MISCELLANEOUS		
△ SW905	610 359 3241	CABLE,THERMOSTAT SERVICE KY2AL	IC1899	410 636 6008	IC BU52021HFV-TR
ZA1001A	312 073 0406	SPECIAL SCREW	A800 610 357 5131 ASSY,PWB,MAIN KY2BL		
ZA1001B	312 073 0406	SPECIAL SCREW	TRANSISTOR		
ZA1001C	312 072 1909	SPECIAL SCREW	Q1341	305 015 8727	TR 2SC2812-L6-TB
ZA1001D	312 072 1909	SPECIAL SCREW		305 014 4512	TR 2SC2412K T146 R
ZA1001E	312 073 0406	SPECIAL SCREW		305 014 4611	TR 2SC2412K T146 S
ZA1001F	312 073 0406	SPECIAL SCREW		305 015 8925	TR 2SC2812-L7-TB
△ FUSE	323 027 2605	FUSE 250V 10A		305 163 1615	TR 2SC2812N-L6-TB0
A6870 610 356 6986 ASSY,PWB,CONTROL KY2AL				305 173 9915	TR 2SC3928A1S
CAPACITOR			Q1342	305 147 2218	TR 2SA1037AK-S-T146
C6878	303 438 0219	CERAMIC 0.1U K 16V		405 220 3016	TR ISA1235AC1F
	303 409 3426	CERAMIC 0.1U K 16V		305 134 5928	TR 2SA1037AK-T146-R
RESISTOR				405 220 3115	TR ISA1235AC1E
R6871	301 225 1814	MT-GLAZE 47 JA 1/16W		305 173 9717	TR 2SA1235A1F
R6872	301 225 1814	MT-GLAZE 47 JA 1/16W		305 173 9618	TR 2SA1235A1E
R6873	301 225 1814	MT-GLAZE 47 JA 1/16W	Q1343	305 147 2218	TR 2SA1037AK-S-T146
R6874	301 225 1814	MT-GLAZE 47 JA 1/16W		405 220 3016	TR ISA1235AC1F
R6875	301 225 1814	MT-GLAZE 47 JA 1/16W		305 134 5928	TR 2SA1037AK-T146-R
R6876	301 225 1814	MT-GLAZE 47 JA 1/16W		405 220 3115	TR ISA1235AC1E
R6877	301 225 1814	MT-GLAZE 47 JA 1/16W		305 173 9717	TR 2SA1235A1F
R6878	301 226 1516	MT-GLAZE 0.000 ZA 1/16W		305 173 9618	TR 2SA1235A1E
			Q1344	305 015 8727	TR 2SC2812-L6-TB
				305 014 4512	TR 2SC2412K T146 R

Electrical Parts List

Key No.	Part No.	Description	Key No.	Part No.	Description
	305 014 4611	TR 2SC2412K T146 S	Q5261	305 217 4913	TR RN1111 TE85L
	305 015 8925	TR 2SC2812-L7-TB	Q5262	305 217 4913	TR RN1111 TE85L
	305 163 1615	TR 2SC2812N-L6-TB0	Q5291	305 217 4913	TR RN1111 TE85L
	305 173 9915	TR 2SC3928A1S	Q5292	305 217 4913	TR RN1111 TE85L
Q1345	305 147 2218	TR 2SA1037AK-S-T146	Q5501	305 015 8727	TR 2SC2812-L6-TB
	405 220 3016	TR ISA1235AC1F		305 014 4512	TR 2SC2412K T146 R
	305 134 5928	TR 2SA1037AK-T146-R		305 014 4611	TR 2SC2412K T146 S
	405 220 3115	TR ISA1235AC1E		305 015 8925	TR 2SC2812-L7-TB
	305 173 9717	TR 2SA1235A1F		305 163 1615	TR 2SC2812N-L6-TB0
	305 173 9618	TR 2SA1235A1E		305 173 9915	TR 2SC3928A1S
Q1361	305 211 1918	TR RJU002N06	Q5521	305 015 8727	TR 2SC2812-L6-TB
Q1363	305 211 1918	TR RJU002N06		305 014 4512	TR 2SC2412K T146 R
Q1366	305 211 1918	TR RJU002N06		305 014 4611	TR 2SC2412K T146 S
Q1368	305 211 1918	TR RJU002N06		305 015 8925	TR 2SC2812-L7-TB
Q1401	305 217 4913	TR RN1111 TE85L		305 163 1615	TR 2SC2812N-L6-TB0
Q1402	305 217 4913	TR RN1111 TE85L		305 173 9915	TR 2SC3928A1S
Q1403	305 217 4913	TR RN1111 TE85L	Q5541	305 217 4913	TR RN1111 TE85L
Q1404	305 217 4913	TR RN1111 TE85L	Q5542	305 217 4913	TR RN1111 TE85L
Q1406	305 217 4913	TR RN1111 TE85L	Q5561	305 015 8727	TR 2SC2812-L6-TB
Q1407	305 217 4913	TR RN1111 TE85L		305 014 4512	TR 2SC2412K T146 R
Q1408	305 217 4913	TR RN1111 TE85L		305 014 4611	TR 2SC2412K T146 S
Q1409	305 217 4913	TR RN1111 TE85L		305 015 8925	TR 2SC2812-L7-TB
Q1501	405 225 7811	TR TPC6901A(TE85L,F)		305 163 1615	TR 2SC2812N-L6-TB0
Q1502	405 225 7811	TR TPC6901A(TE85L,F)		305 173 9915	TR 2SC3928A1S
Q1511	305 217 4913	TR RN1111 TE85L	Q5671	305 002 8327	TR 2SA1203-Y-TE12L
Q1512	305 217 4913	TR RN1111 TE85L	Q5672	305 217 4913	TR RN1111 TE85L
Q1861	305 015 8727	TR 2SC2812-L6-TB	Q5848	305 015 8727	TR 2SC2812-L6-TB
	305 014 4512	TR 2SC2412K T146 R		305 014 4512	TR 2SC2412K T146 R
	305 014 4611	TR 2SC2412K T146 S		305 014 4611	TR 2SC2412K T146 S
	305 015 8925	TR 2SC2812-L7-TB		305 015 8925	TR 2SC2812-L7-TB
	305 163 1615	TR 2SC2812N-L6-TB0		305 163 1615	TR 2SC2812N-L6-TB0
	305 173 9915	TR 2SC3928A1S		305 173 9915	TR 2SC3928A1S
Q1872	305 217 4913	TR RN1111 TE85L	Q5855	305 015 8727	TR 2SC2812-L6-TB
Q2251	305 217 4913	TR RN1111 TE85L		305 014 4512	TR 2SC2412K T146 R
Q2252	305 217 4913	TR RN1111 TE85L		305 014 4611	TR 2SC2412K T146 S
Q2261	305 217 4913	TR RN1111 TE85L		305 015 8925	TR 2SC2812-L7-TB
Q2262	305 217 4913	TR RN1111 TE85L		305 163 1615	TR 2SC2812N-L6-TB0
Q2371	305 217 4913	TR RN1111 TE85L		305 173 9915	TR 2SC3928A1S
Q2372	305 217 4913	TR RN1111 TE85L	Q5856	305 015 8727	TR 2SC2812-L6-TB
Q2381	305 217 4913	TR RN1111 TE85L		305 014 4512	TR 2SC2412K T146 R
Q2382	305 217 4913	TR RN1111 TE85L		305 014 4611	TR 2SC2412K T146 S
Q2391	305 217 4913	TR RN1111 TE85L		305 015 8925	TR 2SC2812-L7-TB
Q2392	305 217 4913	TR RN1111 TE85L		305 163 1615	TR 2SC2812N-L6-TB0
Q2501	405 225 7811	TR TPC6901A(TE85L,F)		305 173 9915	TR 2SC3928A1S
Q2502	405 225 7811	TR TPC6901A(TE85L,F)	Q5861	305 147 2218	TR 2SA1037AK-S-T146
Q251	305 015 8727	TR 2SC2812-L6-TB		405 220 3016	TR ISA1235AC1F
	305 014 4512	TR 2SC2412K T146 R		305 134 5928	TR 2SA1037AK-T146-R
	305 014 4611	TR 2SC2412K T146 S		405 220 3115	TR ISA1235AC1E
	305 015 8925	TR 2SC2812-L7-TB		305 173 9717	TR 2SA1235A1F
	305 163 1615	TR 2SC2812N-L6-TB0		305 173 9618	TR 2SA1235A1E
	305 173 9915	TR 2SC3928A1S	Q5862	305 015 8727	TR 2SC2812-L6-TB
Q2511	305 217 4913	TR RN1111 TE85L		305 014 4512	TR 2SC2412K T146 R
Q2512	305 217 4913	TR RN1111 TE85L		305 014 4611	TR 2SC2412K T146 S
Q381	305 211 1918	TR RJU002N06		305 015 8925	TR 2SC2812-L7-TB
Q382	305 211 1918	TR RJU002N06		305 163 1615	TR 2SC2812N-L6-TB0
Q4621	305 015 8727	TR 2SC2812-L6-TB		305 173 9915	TR 2SC3928A1S
	305 014 4512	TR 2SC2412K T146 R	Q5863	305 217 7518	TR RN1102 TE85L
	305 014 4611	TR 2SC2412K T146 S	Q5864	305 147 2218	TR 2SA1037AK-S-T146
	305 015 8925	TR 2SC2812-L7-TB		405 220 3016	TR ISA1235AC1F
	305 163 1615	TR 2SC2812N-L6-TB0		305 134 5928	TR 2SA1037AK-T146-R
	305 173 9915	TR 2SC3928A1S		405 220 3115	TR ISA1235AC1E
Q501	405 225 7811	TR TPC6901A(TE85L,F)		305 173 9717	TR 2SA1235A1F
Q502	405 225 7811	TR TPC6901A(TE85L,F)		305 173 9618	TR 2SA1235A1E
Q511	305 217 4913	TR RN1111 TE85L	Q5869	305 015 8727	TR 2SC2812-L6-TB
Q512	305 217 4913	TR RN1111 TE85L		305 014 4512	TR 2SC2412K T146 R
Q521	305 217 4913	TR RN1111 TE85L		305 014 4611	TR 2SC2412K T146 S
Q522	305 217 4913	TR RN1111 TE85L		305 015 8925	TR 2SC2812-L7-TB

Electrical Parts List

Key No.	Part No.	Description	Key No.	Part No.	Description
	305 163 1615	TR 2SC2812N-L6-TB0		305 163 1615	TR 2SC2812N-L6-TB0
	305 173 9915	TR 2SC3928A1S		305 173 9915	TR 2SC3928A1S
Q5894	305 015 8727	TR 2SC2812-L6-TB	Q7784	305 015 8727	TR 2SC2812-L6-TB
	305 014 4512	TR 2SC2412K T146 R		305 014 4512	TR 2SC2412K T146 R
	305 014 4611	TR 2SC2412K T146 S		305 014 4611	TR 2SC2412K T146 S
	305 015 8925	TR 2SC2812-L7-TB		305 015 8925	TR 2SC2812-L7-TB
	305 163 1615	TR 2SC2812N-L6-TB0		305 163 1615	TR 2SC2812N-L6-TB0
	305 173 9915	TR 2SC3928A1S		305 173 9915	TR 2SC3928A1S
Q6401	305 217 4913	TR RN1111 TE85L	Q7792	305 015 8727	TR 2SC2812-L6-TB
Q6402	305 217 4913	TR RN1111 TE85L		305 014 4512	TR 2SC2412K T146 R
Q6403	305 217 4913	TR RN1111 TE85L		305 014 4611	TR 2SC2412K T146 S
Q6404	305 217 4913	TR RN1111 TE85L		305 015 8925	TR 2SC2812-L7-TB
Q6406	305 217 4913	TR RN1111 TE85L		305 163 1615	TR 2SC2812N-L6-TB0
Q6407	305 217 4913	TR RN1111 TE85L		305 173 9915	TR 2SC3928A1S
Q6501	305 015 8727	TR 2SC2812-L6-TB	Q7793	305 015 8727	TR 2SC2812-L6-TB
	305 014 4512	TR 2SC2412K T146 R		305 014 4512	TR 2SC2412K T146 R
	305 014 4611	TR 2SC2412K T146 S		305 014 4611	TR 2SC2412K T146 S
	305 015 8925	TR 2SC2812-L7-TB		305 015 8925	TR 2SC2812-L7-TB
	305 163 1615	TR 2SC2812N-L6-TB0		305 163 1615	TR 2SC2812N-L6-TB0
	305 173 9915	TR 2SC3928A1S		305 173 9915	TR 2SC3928A1S
Q6521	305 015 8727	TR 2SC2812-L6-TB	Q7794	305 015 8727	TR 2SC2812-L6-TB
	305 014 4512	TR 2SC2412K T146 R		305 014 4512	TR 2SC2412K T146 R
	305 014 4611	TR 2SC2412K T146 S		305 014 4611	TR 2SC2412K T146 S
	305 015 8925	TR 2SC2812-L7-TB		305 015 8925	TR 2SC2812-L7-TB
	305 163 1615	TR 2SC2812N-L6-TB0		305 163 1615	TR 2SC2812N-L6-TB0
	305 173 9915	TR 2SC3928A1S		305 173 9915	TR 2SC3928A1S
Q6612	305 047 9010	TR 2SB1204-S-TL-E	Q7796	305 015 8727	TR 2SC2812-L6-TB
Q6613	305 015 8727	TR 2SC2812-L6-TB		305 014 4512	TR 2SC2412K T146 R
	305 014 4512	TR 2SC2412K T146 R		305 014 4611	TR 2SC2412K T146 S
	305 014 4611	TR 2SC2412K T146 S		305 015 8925	TR 2SC2812-L7-TB
	305 015 8925	TR 2SC2812-L7-TB		305 163 1615	TR 2SC2812N-L6-TB0
	305 163 1615	TR 2SC2812N-L6-TB0		305 173 9915	TR 2SC3928A1S
	305 173 9915	TR 2SC3928A1S	Q7797	305 147 2218	TR 2SA1037AK-S-T146
Q6621	305 015 8727	TR 2SC2812-L6-TB		405 220 3016	TR ISA1235AC1F
	305 014 4512	TR 2SC2412K T146 R		305 134 5928	TR 2SA1037AK-T146-R
	305 014 4611	TR 2SC2412K T146 S		405 220 3115	TR ISA1235AC1E
	305 015 8925	TR 2SC2812-L7-TB		305 173 9717	TR 2SA1235A1F
	305 163 1615	TR 2SC2812N-L6-TB0		305 173 9618	TR 2SA1235A1E
	305 173 9915	TR 2SC3928A1S	Q7821	305 015 8727	TR 2SC2812-L6-TB
Q6622	305 015 8727	TR 2SC2812-L6-TB		305 014 4512	TR 2SC2412K T146 R
	305 014 4512	TR 2SC2412K T146 R		305 014 4611	TR 2SC2412K T146 S
	305 014 4611	TR 2SC2412K T146 S		305 015 8925	TR 2SC2812-L7-TB
	305 015 8925	TR 2SC2812-L7-TB		305 163 1615	TR 2SC2812N-L6-TB0
	305 163 1615	TR 2SC2812N-L6-TB0		305 173 9915	TR 2SC3928A1S
	305 173 9915	TR 2SC3928A1S	Q7841	305 015 8727	TR 2SC2812-L6-TB
Q6671	305 217 4913	TR RN1111 TE85L		305 014 4512	TR 2SC2412K T146 R
Q6672	305 217 4913	TR RN1111 TE85L		305 014 4611	TR 2SC2412K T146 S
Q7401	305 211 1918	TR RJU002N06		305 015 8925	TR 2SC2812-L7-TB
Q7402	305 211 1918	TR RJU002N06		305 163 1615	TR 2SC2812N-L6-TB0
Q7403	305 217 4913	TR RN1111 TE85L		305 173 9915	TR 2SC3928A1S
Q7431	305 217 4913	TR RN1111 TE85L	Q7842	305 015 8727	TR 2SC2812-L6-TB
Q7432	305 217 8515	TR RSQ025P03-TR		305 014 4512	TR 2SC2412K T146 R
Q7433	305 174 1819	TR CPH3424-TL-E		305 014 4611	TR 2SC2412K T146 S
Q7434	305 217 4913	TR RN1111 TE85L		305 015 8925	TR 2SC2812-L7-TB
Q7436	305 217 4913	TR RN1111 TE85L		305 163 1615	TR 2SC2812N-L6-TB0
Q7702	305 139 7719	TR IMZ1A-T108		305 173 9915	TR 2SC3928A1S
Q7722	305 139 7719	TR IMZ1A-T108	Q7843	305 015 8727	TR 2SC2812-L6-TB
Q7782	305 015 8727	TR 2SC2812-L6-TB		305 014 4512	TR 2SC2412K T146 R
	305 014 4512	TR 2SC2412K T146 R		305 014 4611	TR 2SC2412K T146 S
	305 014 4611	TR 2SC2412K T146 S		305 015 8925	TR 2SC2812-L7-TB
	305 015 8925	TR 2SC2812-L7-TB		305 163 1615	TR 2SC2812N-L6-TB0
	305 163 1615	TR 2SC2812N-L6-TB0		305 173 9915	TR 2SC3928A1S
	305 173 9915	TR 2SC3928A1S	Q7861	305 015 8727	TR 2SC2812-L6-TB
Q7783	305 015 8727	TR 2SC2812-L6-TB		305 014 4512	TR 2SC2412K T146 R
	305 014 4512	TR 2SC2412K T146 R		305 014 4611	TR 2SC2412K T146 S
	305 014 4611	TR 2SC2412K T146 S		305 015 8925	TR 2SC2812-L7-TB
	305 015 8925	TR 2SC2812-L7-TB		305 163 1615	TR 2SC2812N-L6-TB0

Electrical Parts List

Key No.	Part No.	Description	Key No.	Part No.	Description
Q7881	305 173 9915	TR 2SC3928A1S	IC2501	409 705 0514	IC CXA7010R
	305 015 8727	TR 2SC2812-L6-TB	IC2551	409 705 0514	IC CXA7010R
	305 014 4512	TR 2SC2412K T146 R	IC261	309 520 5513	IC TC7WZ08FU
	305 014 4611	TR 2SC2412K T146 S	IC262	310 348 7402	IC TC74LCX125FT(EL)
	305 015 8925	TR 2SC2812-L7-TB	IC301	409 686 5317	IC PW392C-30L
	305 163 1615	TR 2SC2812N-L6-TB0	IC3401	410 713 1001	IC EP3C80F484C7N
	305 173 9915	TR 2SC3928A1S	IC3402	309 330 2511	IC TC7SH04FU-(TE85L)
Q7891	305 015 8727	TR 2SC2812-L6-TB	IC3411	410 658 1500	IC RD74LVC14BTCELL
	305 014 4512	TR 2SC2412K T146 R	IC3511	309 461 7822	IC PQ20WZ11
	305 014 4611	TR 2SC2412K T146 S	IC3516	309 461 7822	IC PQ20WZ11
	305 015 8925	TR 2SC2812-L7-TB	IC3531	309 461 7822	IC PQ20WZ11
	305 163 1615	TR 2SC2812N-L6-TB0	IC3551	309 461 7822	IC PQ20WZ11
	305 173 9915	TR 2SC3928A1S	IC3561	409 699 6516	IC TA48S00AF
Q7921	305 015 8727	TR 2SC2812-L6-TB	IC3566	409 699 6516	IC TA48S00AF
	305 014 4512	TR 2SC2412K T146 R	IC3571	409 685 9415	IC MP2307DN
	305 014 4611	TR 2SC2412K T146 S	IC3581	409 685 9415	IC MP2307DN
	305 015 8925	TR 2SC2812-L7-TB	IC401	409 705 0415	IC CXD3550GB
	305 163 1615	TR 2SC2812N-L6-TB0	IC4711	309 439 8919	IC TC7WH125FU
	305 173 9915	TR 2SC3928A1S	IC4712	309 439 8919	IC TC7WH125FU
Q7942	305 015 8727	TR 2SC2812-L6-TB	IC4726	309 439 8919	IC TC7WH125FU
	305 014 4512	TR 2SC2412K T146 R	IC4727	309 439 8919	IC TC7WH125FU
	305 014 4611	TR 2SC2412K T146 S	IC4801	309 671 7817	IC TE7783APF
	305 015 8925	TR 2SC2812-L7-TB		309 633 6117	IC TE7783PF
	305 163 1615	TR 2SC2812N-L6-TB0	IC501	409 705 0514	IC CXA7010R
	305 173 9915	TR 2SC3928A1S	IC5201	410 662 2203	IC XC3550A-4FTG256C
Q8051	305 217 4913	TR RN1111 TE85L	IC5261	409 699 6516	IC TA48S00AF
Q8052	305 217 4913	TR RN1111 TE85L	IC5291	410 735 5506	IC RP132J001D-T1-FE
Q8061	305 217 4913	TR RN1111 TE85L		410 735 5605	IC RP132J001B-T1-FE
Q8062	305 217 4913	TR RN1111 TE85L	IC5501	309 362 1127	IC BA6287F
Q8081	305 147 2218	TR 2SA1037AK-S-T146	IC551	409 705 0514	IC CXA7010R
	405 220 3016	TR ISA1235AC1F	IC5521	309 362 1127	IC BA6287F
	305 134 5928	TR 2SA1037AK-T146-R	IC5541	409 684 3919	IC NJM2671E2(TE1)
	405 220 3115	TR ISA1235AC1E	IC5542	309 461 7822	IC PQ20WZ11
	305 173 9717	TR 2SA1235A1F	IC5561	309 362 1127	IC BA6287F
	305 173 9618	TR 2SA1235A1E	IC5611	409 685 9415	IC MP2307DN
Q8082	305 217 5019	TR RN1117 TE85L	IC5631	409 701 2918	IC R1173H001B
			IC5651	409 685 9415	IC MP2307DN
			IC5661	409 701 2918	IC R1173H001B
			IC5674	409 701 2918	IC R1173H001B
			IC5801	410 694 8006	IC A3V64S40ETP-G6
			IC5881	409 699 6516	IC TA48S00AF
			IC5891	409 699 6516	IC TA48S00AF
			IC6401	409 701 2918	IC R1173H001B
			IC6402	409 685 9415	IC MP2307DN
			IC6403	409 701 2918	IC R1173H001B
			IC6501	309 537 6213	IC BA6920FP-YE2
			IC6521	309 537 6213	IC BA6920FP-YE2
			IC6531	309 400 7118	IC TC7W53FU-(TE12L)
			IC6541	309 400 7118	IC TC7W53FU-(TE12L)
			IC6601	409 685 9415	IC MP2307DN
			IC6606	409 685 9415	IC MP2307DN
			IC6611	409 685 9415	IC MP2307DN
			IC7401	309 431 4424	IC M62334FP-DF5Q
			IC7402	309 400 7118	IC TC7W53FU-(TE12L)
			IC7406	309 400 7118	IC TC7W53FU-(TE12L)
			IC7431	309 506 8910	IC FA7700V-TE1
			IC7701	409 685 9415	IC MP2307DN
			IC7721	409 685 9415	IC MP2307DN
			IC7801	309 458 3414	IC M62393FP
			IC7802	309 301 5510	IC TC7S08FU(TE85L)
			IC7821	309 461 7822	IC PQ20WZ11
			IC7841	309 461 7822	IC PQ20WZ11
			IC7861	309 461 7822	IC PQ20WZ11
			IC7881	309 461 7822	IC PQ20WZ11
			IC7921	309 461 7822	IC PQ20WZ11
			IC8001	409 698 5510	IC SI19127ACTU
			IC801	410 735 5100	IC S29GL128P90TFI-1434A-
INTEGRATED CIRCUIT					
IC1301	410 647 7902	IC MCP103T-300			
IC1371	309 439 8919	IC TC7WH125FU			
IC1372	309 439 8919	IC TC7WH125FU			
IC1387	410 677 2304	IC 24LC128T-I/SN			
IC1391	409 701 2918	IC R1173H001B			
IC1401	410 691 7408	IC A3R12E4JFF-G8E			
IC1431	410 691 7408	IC A3R12E4JFF-G8E			
IC1461	410 691 7408	IC A3R12E4JFF-G8E			
IC1471	410 628 4906	IC TC7WBL125AFK(T5L,F			
IC1501	409 705 0514	IC CXA7010R			
IC1551	409 705 0514	IC CXA7010R			
IC1801	309 246 9710	IC LA6358NM-TE-L-E			
IC1853	309 400 9211	IC TC7SET32FU-(TE85L)			
IC1854	309 301 5510	IC TC7S08FU(TE85L)			
IC1871	310 362 6603	IC TC74ACT541FT			
IC1872	310 362 6603	IC TC74ACT541FT			
IC1873	309 330 2511	IC TC7SH04FU-(TE85L)			
IC1875	310 362 6603	IC TC74ACT541FT			
IC1881	309 644 3310	IC MXA2500EL			
IC211	309 536 5514	IC AD8074ARUZ-REEL			
IC221	309 536 5514	IC AD8074ARUZ-REEL			
IC2251	409 699 6516	IC TA48S00AF			
IC2261	409 699 6516	IC TA48S00AF			
IC2271	409 699 6516	IC TA48S00AF			
IC2301	409 700 7112	IC PW610-30GX			
IC231	309 536 5514	IC AD8074ARUZ-REEL			
IC2371	409 685 9415	IC MP2307DN			
IC2381	409 699 6516	IC TA48S00AF			
IC2391	409 701 2918	IC R1173H001B			

Electrical Parts List

Key No.	Part No.	Description	Key No.	Part No.	Description
IC8051	409 699 6516	IC TA48S00AF	C1347	303 438 0219	CERAMIC 0.1U K 16V
IC8061	410 735 5506	IC RP132J001D-T1-FE		303 409 3426	CERAMIC 0.1U K 16V
	410 735 5605	IC RP132J001B-T1-FE	C1351	303 276 1911	CERAMIC 22P J 50V
IC843	310 596 0002	IC 74LVC1G125GW,125	C1352	303 276 1911	CERAMIC 22P J 50V
IC9826	309 400 9211	IC TC7SET32FU-(TE85L)	C1353	303 276 2819	CERAMIC 18P J 50V
IC9830	409 692 1310	IC BA3472F-E2	C1354	303 276 2819	CERAMIC 18P J 50V
			C1355	303 438 0219	CERAMIC 0.1U K 16V
				303 409 3426	CERAMIC 0.1U K 16V
CAPACITOR			C1356	403 455 1012	CERAMIC 1U K 10V
C1301	303 443 9214	CERAMIC 22U M 6.3V		303 433 1112	CERAMIC 1U K 10V
	303 392 5015	CERAMIC 22U M 6.3V	C1357	303 320 0419	CERAMIC 68P J 50V
C1302	303 438 0219	CERAMIC 0.1U K 16V	C1358	303 320 0419	CERAMIC 68P J 50V
	303 409 3426	CERAMIC 0.1U K 16V	C1359	303 367 0410	CERAMIC 0.1U K 50V
C1304	303 441 9810	CERAMIC 0.01U K 50V	C1371	303 438 0219	CERAMIC 0.1U K 16V
C1306	303 276 1317	CERAMIC 1000P K 50V		303 409 3426	CERAMIC 0.1U K 16V
C1311	303 438 0219	CERAMIC 0.1U K 16V	C1374	303 438 0219	CERAMIC 0.1U K 16V
	303 409 3426	CERAMIC 0.1U K 16V		303 409 3426	CERAMIC 0.1U K 16V
C1312	303 438 0219	CERAMIC 0.1U K 16V	C1387	303 438 0219	CERAMIC 0.1U K 16V
	303 409 3426	CERAMIC 0.1U K 16V		303 409 3426	CERAMIC 0.1U K 16V
C1313	303 438 0219	CERAMIC 0.1U K 16V	C1391	403 455 1012	CERAMIC 1U K 10V
	303 409 3426	CERAMIC 0.1U K 16V		303 433 1112	CERAMIC 1U K 10V
C1314	303 438 0219	CERAMIC 0.1U K 16V	C1393	303 438 0219	CERAMIC 0.1U K 16V
	303 409 3426	CERAMIC 0.1U K 16V		303 409 3426	CERAMIC 0.1U K 16V
C1316	303 438 0219	CERAMIC 0.1U K 16V	C1394	303 443 9214	CERAMIC 22U M 6.3V
	303 409 3426	CERAMIC 0.1U K 16V		303 392 5015	CERAMIC 22U M 6.3V
C1317	303 438 0219	CERAMIC 0.1U K 16V	C1401	303 450 7012	CERAMIC 47U K 10V
	303 409 3426	CERAMIC 0.1U K 16V	C1402	403 455 1616	CERAMIC 10U K 16V
C1318	303 438 0219	CERAMIC 0.1U K 16V	C1404	303 438 0219	CERAMIC 0.1U K 16V
	303 409 3426	CERAMIC 0.1U K 16V		303 409 3426	CERAMIC 0.1U K 16V
C1319	303 438 0219	CERAMIC 0.1U K 16V	C1405	303 438 0219	CERAMIC 0.1U K 16V
	303 409 3426	CERAMIC 0.1U K 16V		303 409 3426	CERAMIC 0.1U K 16V
C1321	403 455 1616	CERAMIC 10U K 16V	C1406	303 438 0219	CERAMIC 0.1U K 16V
C1322	303 438 0219	CERAMIC 0.1U K 16V		303 409 3426	CERAMIC 0.1U K 16V
	303 409 3426	CERAMIC 0.1U K 16V	C1407	303 438 0219	CERAMIC 0.1U K 16V
C1323	303 438 0219	CERAMIC 0.1U K 16V		303 409 3426	CERAMIC 0.1U K 16V
	303 409 3426	CERAMIC 0.1U K 16V	C1408	303 438 0219	CERAMIC 0.1U K 16V
C1324	303 438 0219	CERAMIC 0.1U K 16V		303 409 3426	CERAMIC 0.1U K 16V
	303 409 3426	CERAMIC 0.1U K 16V	C1409	303 438 0219	CERAMIC 0.1U K 16V
C1326	303 438 0219	CERAMIC 0.1U K 16V		303 409 3426	CERAMIC 0.1U K 16V
	303 409 3426	CERAMIC 0.1U K 16V	C1411	303 438 0219	CERAMIC 0.1U K 16V
C1327	303 438 0219	CERAMIC 0.1U K 16V		303 409 3426	CERAMIC 0.1U K 16V
	303 409 3426	CERAMIC 0.1U K 16V	C1412	303 438 0219	CERAMIC 0.1U K 16V
C1328	303 438 0219	CERAMIC 0.1U K 16V		303 409 3426	CERAMIC 0.1U K 16V
	303 409 3426	CERAMIC 0.1U K 16V	C1413	303 438 0219	CERAMIC 0.1U K 16V
C1331	303 438 0219	CERAMIC 0.1U K 16V		303 409 3426	CERAMIC 0.1U K 16V
	303 409 3426	CERAMIC 0.1U K 16V	C1414	303 438 0219	CERAMIC 0.1U K 16V
C1332	303 438 0219	CERAMIC 0.1U K 16V		303 409 3426	CERAMIC 0.1U K 16V
	303 409 3426	CERAMIC 0.1U K 16V	C1415	303 438 0219	CERAMIC 0.1U K 16V
C1333	303 438 0219	CERAMIC 0.1U K 16V		303 409 3426	CERAMIC 0.1U K 16V
	303 409 3426	CERAMIC 0.1U K 16V	C1416	303 438 0219	CERAMIC 0.1U K 16V
C1334	303 438 0219	CERAMIC 0.1U K 16V		303 409 3426	CERAMIC 0.1U K 16V
	303 409 3426	CERAMIC 0.1U K 16V	C1417	303 438 0219	CERAMIC 0.1U K 16V
C1336	303 438 0219	CERAMIC 0.1U K 16V		303 409 3426	CERAMIC 0.1U K 16V
	303 409 3426	CERAMIC 0.1U K 16V	C1418	303 438 0219	CERAMIC 0.1U K 16V
C1337	303 438 0219	CERAMIC 0.1U K 16V		303 409 3426	CERAMIC 0.1U K 16V
	303 409 3426	CERAMIC 0.1U K 16V	C1419	303 276 1317	CERAMIC 1000P K 50V
C1338	303 438 0219	CERAMIC 0.1U K 16V	C1421	303 438 0219	CERAMIC 0.1U K 16V
	303 409 3426	CERAMIC 0.1U K 16V		303 409 3426	CERAMIC 0.1U K 16V
C1339	303 438 0219	CERAMIC 0.1U K 16V	C1422	303 438 0219	CERAMIC 0.1U K 16V
	303 409 3426	CERAMIC 0.1U K 16V		303 409 3426	CERAMIC 0.1U K 16V
C1341	303 438 0219	CERAMIC 0.1U K 16V	C1423	303 438 0219	CERAMIC 0.1U K 16V
	303 409 3426	CERAMIC 0.1U K 16V		303 409 3426	CERAMIC 0.1U K 16V
C1342	303 438 0219	CERAMIC 0.1U K 16V	C1424	303 313 3519	CERAMIC 4P C 50V
	303 409 3426	CERAMIC 0.1U K 16V	C1426	303 309 2519	CERAMIC 27P J 50V
C1343	303 438 0219	CERAMIC 0.1U K 16V	C1428	303 438 0219	CERAMIC 0.1U K 16V
	303 409 3426	CERAMIC 0.1U K 16V		303 409 3426	CERAMIC 0.1U K 16V
C1344	303 438 0219	CERAMIC 0.1U K 16V	C1429	303 276 1317	CERAMIC 1000P K 50V
	303 409 3426	CERAMIC 0.1U K 16V			

Electrical Parts List

Key No.	Part No.	Description	Key No.	Part No.	Description
C1431	303 450 7012	CERAMIC 47U K 10V		303 409 3426	CERAMIC 0.1U K 16V
C1432	403 455 1616	CERAMIC 10U K 16V	C1477	303 438 0219	CERAMIC 0.1U K 16V
C1434	303 438 0219	CERAMIC 0.1U K 16V		303 409 3426	CERAMIC 0.1U K 16V
	303 409 3426	CERAMIC 0.1U K 16V	C1478	303 438 0219	CERAMIC 0.1U K 16V
C1435	303 438 0219	CERAMIC 0.1U K 16V		303 409 3426	CERAMIC 0.1U K 16V
	303 409 3426	CERAMIC 0.1U K 16V	C1479	303 276 1317	CERAMIC 1000P K 50V
C1436	303 438 0219	CERAMIC 0.1U K 16V	C1481	303 438 0219	CERAMIC 0.1U K 16V
	303 409 3426	CERAMIC 0.1U K 16V		303 409 3426	CERAMIC 0.1U K 16V
C1437	303 438 0219	CERAMIC 0.1U K 16V	C1482	303 438 0219	CERAMIC 0.1U K 16V
	303 409 3426	CERAMIC 0.1U K 16V		303 409 3426	CERAMIC 0.1U K 16V
C1438	303 438 0219	CERAMIC 0.1U K 16V	C1483	303 438 0219	CERAMIC 0.1U K 16V
	303 409 3426	CERAMIC 0.1U K 16V		303 409 3426	CERAMIC 0.1U K 16V
C1439	303 438 0219	CERAMIC 0.1U K 16V	C1484	303 309 2519	CERAMIC 27P J 50V
	303 409 3426	CERAMIC 0.1U K 16V	C1486	303 438 0219	CERAMIC 0.1U K 16V
C1441	303 438 0219	CERAMIC 0.1U K 16V		303 409 3426	CERAMIC 0.1U K 16V
	303 409 3426	CERAMIC 0.1U K 16V	C1487	303 276 1317	CERAMIC 1000P K 50V
C1442	303 438 0219	CERAMIC 0.1U K 16V	C1491	303 438 0219	CERAMIC 0.1U K 16V
	303 409 3426	CERAMIC 0.1U K 16V		303 409 3426	CERAMIC 0.1U K 16V
C1443	303 438 0219	CERAMIC 0.1U K 16V	C1501	403 455 1616	CERAMIC 10U K 16V
	303 409 3426	CERAMIC 0.1U K 16V	C1502	303 438 0219	CERAMIC 0.1U K 16V
C1444	303 438 0219	CERAMIC 0.1U K 16V		303 409 3426	CERAMIC 0.1U K 16V
	303 409 3426	CERAMIC 0.1U K 16V	C1503	303 276 1317	CERAMIC 1000P K 50V
C1445	303 438 0219	CERAMIC 0.1U K 16V	C1504	303 438 0219	CERAMIC 0.1U K 16V
	303 409 3426	CERAMIC 0.1U K 16V		303 409 3426	CERAMIC 0.1U K 16V
C1446	303 438 0219	CERAMIC 0.1U K 16V	C1506	303 276 1317	CERAMIC 1000P K 50V
	303 409 3426	CERAMIC 0.1U K 16V	C1507	403 455 1616	CERAMIC 10U K 16V
C1447	303 438 0219	CERAMIC 0.1U K 16V	C1508	303 438 0219	CERAMIC 0.1U K 16V
	303 409 3426	CERAMIC 0.1U K 16V		303 409 3426	CERAMIC 0.1U K 16V
C1448	303 438 0219	CERAMIC 0.1U K 16V	C1509	303 276 1317	CERAMIC 1000P K 50V
	303 409 3426	CERAMIC 0.1U K 16V	C1511	303 438 0219	CERAMIC 0.1U K 16V
C1449	303 276 1317	CERAMIC 1000P K 50V		303 409 3426	CERAMIC 0.1U K 16V
C1451	303 438 0219	CERAMIC 0.1U K 16V	C1512	303 276 1317	CERAMIC 1000P K 50V
	303 409 3426	CERAMIC 0.1U K 16V	C1513	403 455 1616	CERAMIC 10U K 16V
C1452	303 438 0219	CERAMIC 0.1U K 16V	C1514	303 438 0219	CERAMIC 0.1U K 16V
	303 409 3426	CERAMIC 0.1U K 16V		303 409 3426	CERAMIC 0.1U K 16V
C1453	303 438 0219	CERAMIC 0.1U K 16V	C1516	303 276 1317	CERAMIC 1000P K 50V
	303 409 3426	CERAMIC 0.1U K 16V	C1517	303 438 0219	CERAMIC 0.1U K 16V
C1456	303 309 2519	CERAMIC 27P J 50V		303 409 3426	CERAMIC 0.1U K 16V
C1457	303 438 0219	CERAMIC 0.1U K 16V	C1518	303 276 1317	CERAMIC 1000P K 50V
	303 409 3426	CERAMIC 0.1U K 16V	C1521	303 437 4614	CERAMIC 10U K 25V
C1458	303 276 1317	CERAMIC 1000P K 50V	C1522	303 367 0410	CERAMIC 0.1U K 50V
C1459	303 309 2519	CERAMIC 27P J 50V	C1523	303 367 0410	CERAMIC 0.1U K 50V
C1461	303 450 7012	CERAMIC 47U K 10V	C1524	303 396 9613	CERAMIC 1U K 25V
C1462	403 455 1616	CERAMIC 10U K 16V	C1526	303 437 4614	CERAMIC 10U K 25V
C1464	303 438 0219	CERAMIC 0.1U K 16V	C1527	303 367 0410	CERAMIC 0.1U K 50V
	303 409 3426	CERAMIC 0.1U K 16V	C1529	303 367 0410	CERAMIC 0.1U K 50V
C1465	303 438 0219	CERAMIC 0.1U K 16V	C1531	303 367 0410	CERAMIC 0.1U K 50V
	303 409 3426	CERAMIC 0.1U K 16V	C1532	303 367 0410	CERAMIC 0.1U K 50V
C1466	303 438 0219	CERAMIC 0.1U K 16V	C1533	303 367 0410	CERAMIC 0.1U K 50V
	303 409 3426	CERAMIC 0.1U K 16V	C1536	303 282 5118	CERAMIC 470P K 50V
C1467	303 438 0219	CERAMIC 0.1U K 16V	C1537	403 455 1616	CERAMIC 10U K 16V
	303 409 3426	CERAMIC 0.1U K 16V	C1538	303 438 0219	CERAMIC 0.1U K 16V
C1468	303 438 0219	CERAMIC 0.1U K 16V		303 409 3426	CERAMIC 0.1U K 16V
	303 409 3426	CERAMIC 0.1U K 16V	C1539	303 276 1317	CERAMIC 1000P K 50V
C1469	303 438 0219	CERAMIC 0.1U K 16V	C1541	303 367 0410	CERAMIC 0.1U K 50V
	303 409 3426	CERAMIC 0.1U K 16V	C1542	303 437 4614	CERAMIC 10U K 25V
C1471	303 438 0219	CERAMIC 0.1U K 16V	C1543	303 294 6110	CERAMIC 100P J 50V
	303 409 3426	CERAMIC 0.1U K 16V	C1551	403 455 1616	CERAMIC 10U K 16V
C1472	303 438 0219	CERAMIC 0.1U K 16V	C1552	303 438 0219	CERAMIC 0.1U K 16V
	303 409 3426	CERAMIC 0.1U K 16V		303 409 3426	CERAMIC 0.1U K 16V
C1473	303 438 0219	CERAMIC 0.1U K 16V	C1553	303 276 1317	CERAMIC 1000P K 50V
	303 409 3426	CERAMIC 0.1U K 16V	C1554	303 438 0219	CERAMIC 0.1U K 16V
C1474	303 438 0219	CERAMIC 0.1U K 16V		303 409 3426	CERAMIC 0.1U K 16V
	303 409 3426	CERAMIC 0.1U K 16V	C1556	303 276 1317	CERAMIC 1000P K 50V
C1475	303 438 0219	CERAMIC 0.1U K 16V	C1557	403 455 1616	CERAMIC 10U K 16V
	303 409 3426	CERAMIC 0.1U K 16V	C1558	303 438 0219	CERAMIC 0.1U K 16V
C1476	303 438 0219	CERAMIC 0.1U K 16V		303 409 3426	CERAMIC 0.1U K 16V

Electrical Parts List

Key No.	Part No.	Description	Key No.	Part No.	Description
C1559	303 276 1317	CERAMIC 1000P K 50V	C212	403 455 1616	CERAMIC 10U K 16V
C1561	303 438 0219	CERAMIC 0.1U K 16V	C213	403 455 1616	CERAMIC 10U K 16V
	303 409 3426	CERAMIC 0.1U K 16V	C214	303 438 0219	CERAMIC 0.1U K 16V
C1562	303 276 1317	CERAMIC 1000P K 50V		303 409 3426	CERAMIC 0.1U K 16V
C1563	403 455 1616	CERAMIC 10U K 16V	C215	303 438 0219	CERAMIC 0.1U K 16V
C1564	303 438 0219	CERAMIC 0.1U K 16V		303 409 3426	CERAMIC 0.1U K 16V
	303 409 3426	CERAMIC 0.1U K 16V	C216	303 438 0219	CERAMIC 0.1U K 16V
C1565	303 396 9613	CERAMIC 1U K 25V		303 409 3426	CERAMIC 0.1U K 16V
C1566	303 276 1317	CERAMIC 1000P K 50V	C217	303 438 0219	CERAMIC 0.1U K 16V
C1567	303 438 0219	CERAMIC 0.1U K 16V		303 409 3426	CERAMIC 0.1U K 16V
	303 409 3426	CERAMIC 0.1U K 16V	C218	303 438 0219	CERAMIC 0.1U K 16V
C1568	303 276 1317	CERAMIC 1000P K 50V		303 409 3426	CERAMIC 0.1U K 16V
C1570	303 387 7314	ELECT 47U M 25V	C2201	303 438 0219	CERAMIC 0.1U K 16V
	303 398 5415	ELECT 47U M 25V		303 409 3426	CERAMIC 0.1U K 16V
C1571	303 437 4614	CERAMIC 10U K 25V	C2202	303 438 0219	CERAMIC 0.1U K 16V
C1572	303 367 0410	CERAMIC 0.1U K 50V		303 409 3426	CERAMIC 0.1U K 16V
C1573	303 367 0410	CERAMIC 0.1U K 50V	C2203	303 438 0219	CERAMIC 0.1U K 16V
C1574	303 396 9613	CERAMIC 1U K 25V		303 409 3426	CERAMIC 0.1U K 16V
C1576	303 437 4614	CERAMIC 10U K 25V	C2204	303 438 0219	CERAMIC 0.1U K 16V
C1577	303 367 0410	CERAMIC 0.1U K 50V		303 409 3426	CERAMIC 0.1U K 16V
C1579	303 367 0410	CERAMIC 0.1U K 50V	C2205	303 438 0219	CERAMIC 0.1U K 16V
C1581	303 367 0410	CERAMIC 0.1U K 50V		303 409 3426	CERAMIC 0.1U K 16V
C1582	303 367 0410	CERAMIC 0.1U K 50V	C2206	303 438 0219	CERAMIC 0.1U K 16V
C1583	303 367 0410	CERAMIC 0.1U K 50V		303 409 3426	CERAMIC 0.1U K 16V
C1586	303 282 5118	CERAMIC 470P K 50V	C2207	303 438 0219	CERAMIC 0.1U K 16V
C1587	403 455 1616	CERAMIC 10U K 16V		303 409 3426	CERAMIC 0.1U K 16V
C1588	303 438 0219	CERAMIC 0.1U K 16V	C2208	303 438 0219	CERAMIC 0.1U K 16V
	303 409 3426	CERAMIC 0.1U K 16V		303 409 3426	CERAMIC 0.1U K 16V
C1589	303 276 1317	CERAMIC 1000P K 50V	C2209	303 438 0219	CERAMIC 0.1U K 16V
C1802	303 441 9810	CERAMIC 0.01U K 50V		303 409 3426	CERAMIC 0.1U K 16V
C1804	303 441 9810	CERAMIC 0.01U K 50V	C221	303 438 0219	CERAMIC 0.1U K 16V
C1805	303 276 1317	CERAMIC 1000P K 50V		303 409 3426	CERAMIC 0.1U K 16V
C1806	303 276 1317	CERAMIC 1000P K 50V	C2211	303 438 0219	CERAMIC 0.1U K 16V
C1813	303 438 0219	CERAMIC 0.1U K 16V		303 409 3426	CERAMIC 0.1U K 16V
	303 409 3426	CERAMIC 0.1U K 16V	C2212	303 438 0219	CERAMIC 0.1U K 16V
C1814	303 438 0219	CERAMIC 0.1U K 16V		303 409 3426	CERAMIC 0.1U K 16V
	303 409 3426	CERAMIC 0.1U K 16V	C2213	303 438 0219	CERAMIC 0.1U K 16V
C1851	303 438 0219	CERAMIC 0.1U K 16V		303 409 3426	CERAMIC 0.1U K 16V
	303 409 3426	CERAMIC 0.1U K 16V	C2214	303 438 0219	CERAMIC 0.1U K 16V
C1853	303 438 0219	CERAMIC 0.1U K 16V		303 409 3426	CERAMIC 0.1U K 16V
	303 409 3426	CERAMIC 0.1U K 16V	C2215	303 438 0219	CERAMIC 0.1U K 16V
C1859	303 438 0219	CERAMIC 0.1U K 16V		303 409 3426	CERAMIC 0.1U K 16V
	303 409 3426	CERAMIC 0.1U K 16V	C2216	303 438 0219	CERAMIC 0.1U K 16V
C1871	303 438 0219	CERAMIC 0.1U K 16V		303 409 3426	CERAMIC 0.1U K 16V
	303 409 3426	CERAMIC 0.1U K 16V	C2217	303 438 0219	CERAMIC 0.1U K 16V
C1872	303 438 0219	CERAMIC 0.1U K 16V		303 409 3426	CERAMIC 0.1U K 16V
	303 409 3426	CERAMIC 0.1U K 16V	C2218	303 438 0219	CERAMIC 0.1U K 16V
C1873	303 438 0219	CERAMIC 0.1U K 16V		303 409 3426	CERAMIC 0.1U K 16V
	303 409 3426	CERAMIC 0.1U K 16V	C2219	303 438 0219	CERAMIC 0.1U K 16V
C1874	303 438 0219	CERAMIC 0.1U K 16V		303 409 3426	CERAMIC 0.1U K 16V
	303 409 3426	CERAMIC 0.1U K 16V	C222	403 455 1616	CERAMIC 10U K 16V
C1875	303 438 0219	CERAMIC 0.1U K 16V	C2221	303 438 0219	CERAMIC 0.1U K 16V
	303 409 3426	CERAMIC 0.1U K 16V		303 409 3426	CERAMIC 0.1U K 16V
C1881	303 438 0219	CERAMIC 0.1U K 16V	C2222	303 438 0219	CERAMIC 0.1U K 16V
	303 409 3426	CERAMIC 0.1U K 16V		303 409 3426	CERAMIC 0.1U K 16V
C1882	303 438 0219	CERAMIC 0.1U K 16V	C2223	303 438 0219	CERAMIC 0.1U K 16V
	303 409 3426	CERAMIC 0.1U K 16V		303 409 3426	CERAMIC 0.1U K 16V
C1883	303 438 0219	CERAMIC 0.1U K 16V	C2224	303 438 0219	CERAMIC 0.1U K 16V
	303 409 3426	CERAMIC 0.1U K 16V		303 409 3426	CERAMIC 0.1U K 16V
C1884	303 438 0219	CERAMIC 0.1U K 16V	C2225	303 441 9810	CERAMIC 0.01U K 50V
	303 409 3426	CERAMIC 0.1U K 16V	C2226	303 438 0219	CERAMIC 0.1U K 16V
C201	303 438 0219	CERAMIC 0.1U K 16V		303 409 3426	CERAMIC 0.1U K 16V
	303 409 3426	CERAMIC 0.1U K 16V	C2227	303 438 0219	CERAMIC 0.1U K 16V
C203	303 438 0219	CERAMIC 0.1U K 16V		303 409 3426	CERAMIC 0.1U K 16V
	303 409 3426	CERAMIC 0.1U K 16V	C2228	303 438 0219	CERAMIC 0.1U K 16V
C211	303 438 0219	CERAMIC 0.1U K 16V		303 409 3426	CERAMIC 0.1U K 16V
	303 409 3426	CERAMIC 0.1U K 16V	C2229	303 145 9918	CERAMIC 22P J 50V

Electrical Parts List

Key No.	Part No.	Description	Key No.	Part No.	Description
C223	403 455 1616	CERAMIC 10U K 16V	C2316	303 438 0219	CERAMIC 0.1U K 16V
C2231	303 145 9918	CERAMIC 22P J 50V		303 409 3426	CERAMIC 0.1U K 16V
C2232	303 438 0219	CERAMIC 0.1U K 16V	C2318	303 438 0219	CERAMIC 0.1U K 16V
	303 409 3426	CERAMIC 0.1U K 16V		303 409 3426	CERAMIC 0.1U K 16V
C2233	303 438 0219	CERAMIC 0.1U K 16V	C2319	303 438 0219	CERAMIC 0.1U K 16V
	303 409 3426	CERAMIC 0.1U K 16V		303 409 3426	CERAMIC 0.1U K 16V
C2234	303 438 0219	CERAMIC 0.1U K 16V	C232	403 455 1616	CERAMIC 10U K 16V
	303 409 3426	CERAMIC 0.1U K 16V	C2321	303 438 0219	CERAMIC 0.1U K 16V
C2235	303 438 0219	CERAMIC 0.1U K 16V		303 409 3426	CERAMIC 0.1U K 16V
	303 409 3426	CERAMIC 0.1U K 16V	C2322	303 438 0219	CERAMIC 0.1U K 16V
C2236	303 438 0219	CERAMIC 0.1U K 16V		303 409 3426	CERAMIC 0.1U K 16V
	303 409 3426	CERAMIC 0.1U K 16V	C2323	303 438 0219	CERAMIC 0.1U K 16V
C2237	303 438 0219	CERAMIC 0.1U K 16V		303 409 3426	CERAMIC 0.1U K 16V
	303 409 3426	CERAMIC 0.1U K 16V	C2324	303 438 0219	CERAMIC 0.1U K 16V
C2238	303 438 0219	CERAMIC 0.1U K 16V		303 409 3426	CERAMIC 0.1U K 16V
	303 409 3426	CERAMIC 0.1U K 16V	C2325	303 438 0219	CERAMIC 0.1U K 16V
C2239	303 438 0219	CERAMIC 0.1U K 16V		303 409 3426	CERAMIC 0.1U K 16V
	303 409 3426	CERAMIC 0.1U K 16V	C2326	303 438 0219	CERAMIC 0.1U K 16V
C224	303 438 0219	CERAMIC 0.1U K 16V		303 409 3426	CERAMIC 0.1U K 16V
	303 409 3426	CERAMIC 0.1U K 16V	C2327	303 438 0219	CERAMIC 0.1U K 16V
C2241	303 441 9810	CERAMIC 0.01U K 50V		303 409 3426	CERAMIC 0.1U K 16V
C2243	303 438 0219	CERAMIC 0.1U K 16V	C2328	303 438 0219	CERAMIC 0.1U K 16V
	303 409 3426	CERAMIC 0.1U K 16V		303 409 3426	CERAMIC 0.1U K 16V
C225	303 438 0219	CERAMIC 0.1U K 16V	C2329	303 438 0219	CERAMIC 0.1U K 16V
	303 409 3426	CERAMIC 0.1U K 16V		303 409 3426	CERAMIC 0.1U K 16V
C2251	403 455 1012	CERAMIC 1U K 10V	C233	403 455 1616	CERAMIC 10U K 16V
	303 433 1112	CERAMIC 1U K 10V	C2331	303 438 0219	CERAMIC 0.1U K 16V
C2253	303 443 9214	CERAMIC 22U M 6.3V		303 409 3426	CERAMIC 0.1U K 16V
	303 392 5015	CERAMIC 22U M 6.3V	C2332	303 438 0219	CERAMIC 0.1U K 16V
C226	303 438 0219	CERAMIC 0.1U K 16V		303 409 3426	CERAMIC 0.1U K 16V
	303 409 3426	CERAMIC 0.1U K 16V	C2333	303 438 0219	CERAMIC 0.1U K 16V
C2261	403 455 1012	CERAMIC 1U K 10V		303 409 3426	CERAMIC 0.1U K 16V
	303 433 1112	CERAMIC 1U K 10V	C2334	303 438 0219	CERAMIC 0.1U K 16V
C2263	303 443 9214	CERAMIC 22U M 6.3V		303 409 3426	CERAMIC 0.1U K 16V
	303 392 5015	CERAMIC 22U M 6.3V	C2335	303 438 0219	CERAMIC 0.1U K 16V
C227	303 438 0219	CERAMIC 0.1U K 16V		303 409 3426	CERAMIC 0.1U K 16V
	303 409 3426	CERAMIC 0.1U K 16V	C2336	303 438 0219	CERAMIC 0.1U K 16V
C228	303 438 0219	CERAMIC 0.1U K 16V		303 409 3426	CERAMIC 0.1U K 16V
	303 409 3426	CERAMIC 0.1U K 16V	C2337	303 438 0219	CERAMIC 0.1U K 16V
C2301	403 455 1012	CERAMIC 1U K 10V		303 409 3426	CERAMIC 0.1U K 16V
	303 433 1112	CERAMIC 1U K 10V	C2338	303 438 0219	CERAMIC 0.1U K 16V
C2302	403 455 1012	CERAMIC 1U K 10V		303 409 3426	CERAMIC 0.1U K 16V
	303 433 1112	CERAMIC 1U K 10V	C2339	303 438 0219	CERAMIC 0.1U K 16V
C2303	403 455 1012	CERAMIC 1U K 10V		303 409 3426	CERAMIC 0.1U K 16V
	303 433 1112	CERAMIC 1U K 10V	C234	303 438 0219	CERAMIC 0.1U K 16V
C2304	303 276 1911	CERAMIC 22P J 50V		303 409 3426	CERAMIC 0.1U K 16V
C2305	303 309 2519	CERAMIC 27P J 50V	C2341	303 438 0219	CERAMIC 0.1U K 16V
C2306	303 438 0219	CERAMIC 0.1U K 16V		303 409 3426	CERAMIC 0.1U K 16V
	303 409 3426	CERAMIC 0.1U K 16V	C2342	303 438 0219	CERAMIC 0.1U K 16V
C2307	303 438 0219	CERAMIC 0.1U K 16V		303 409 3426	CERAMIC 0.1U K 16V
	303 409 3426	CERAMIC 0.1U K 16V	C2343	303 438 0219	CERAMIC 0.1U K 16V
C2308	303 438 0219	CERAMIC 0.1U K 16V		303 409 3426	CERAMIC 0.1U K 16V
	303 409 3426	CERAMIC 0.1U K 16V	C2344	303 438 0219	CERAMIC 0.1U K 16V
C2309	303 438 0219	CERAMIC 0.1U K 16V		303 409 3426	CERAMIC 0.1U K 16V
	303 409 3426	CERAMIC 0.1U K 16V	C2345	303 438 0219	CERAMIC 0.1U K 16V
C231	303 438 0219	CERAMIC 0.1U K 16V		303 409 3426	CERAMIC 0.1U K 16V
	303 409 3426	CERAMIC 0.1U K 16V	C2346	303 438 0219	CERAMIC 0.1U K 16V
C2311	303 438 0219	CERAMIC 0.1U K 16V		303 409 3426	CERAMIC 0.1U K 16V
	303 409 3426	CERAMIC 0.1U K 16V	C2347	303 438 0219	CERAMIC 0.1U K 16V
C2312	303 438 0219	CERAMIC 0.1U K 16V		303 409 3426	CERAMIC 0.1U K 16V
	303 409 3426	CERAMIC 0.1U K 16V	C2348	303 438 0219	CERAMIC 0.1U K 16V
C2313	303 438 0219	CERAMIC 0.1U K 16V		303 409 3426	CERAMIC 0.1U K 16V
	303 409 3426	CERAMIC 0.1U K 16V	C2349	303 438 0219	CERAMIC 0.1U K 16V
C2314	303 438 0219	CERAMIC 0.1U K 16V		303 409 3426	CERAMIC 0.1U K 16V
	303 409 3426	CERAMIC 0.1U K 16V	C235	303 438 0219	CERAMIC 0.1U K 16V
C2315	303 438 0219	CERAMIC 0.1U K 16V		303 409 3426	CERAMIC 0.1U K 16V
	303 409 3426	CERAMIC 0.1U K 16V	C2351	303 438 0219	CERAMIC 0.1U K 16V

Electrical Parts List

Key No.	Part No.	Description	Key No.	Part No.	Description
	303 409 3426	CERAMIC		303 409 3426	CERAMIC
C2352	303 438 0219	CERAMIC	C2402	303 276 1317	CERAMIC
	303 409 3426	CERAMIC	C2403	303 438 0219	CERAMIC
C2353	303 438 0219	CERAMIC		303 409 3426	CERAMIC
	303 409 3426	CERAMIC	C2404	303 438 0219	CERAMIC
C2354	303 438 0219	CERAMIC		303 409 3426	CERAMIC
	303 409 3426	CERAMIC	C2406	303 276 1317	CERAMIC
C2355	303 438 0219	CERAMIC	C2407	303 438 0219	CERAMIC
	303 409 3426	CERAMIC		303 409 3426	CERAMIC
C2356	303 438 0219	CERAMIC	C2408	303 276 1317	CERAMIC
	303 409 3426	CERAMIC	C2409	303 438 0219	CERAMIC
C2357	303 438 0219	CERAMIC		303 409 3426	CERAMIC
	303 409 3426	CERAMIC	C2410	303 438 0219	CERAMIC
C2358	303 438 0219	CERAMIC		303 409 3426	CERAMIC
	303 409 3426	CERAMIC	C2411	303 276 1317	CERAMIC
C2359	303 438 0219	CERAMIC	C2412	303 438 0219	CERAMIC
	303 409 3426	CERAMIC		303 409 3426	CERAMIC
C236	303 438 0219	CERAMIC	C2413	303 276 1317	CERAMIC
	303 409 3426	CERAMIC	C2414	303 438 0219	CERAMIC
C2361	303 438 0219	CERAMIC		303 409 3426	CERAMIC
	303 409 3426	CERAMIC	C2415	303 276 1317	CERAMIC
C2362	303 438 0219	CERAMIC	C2416	303 438 0219	CERAMIC
	303 409 3426	CERAMIC		303 409 3426	CERAMIC
C2363	303 438 0219	CERAMIC	C2417	303 276 1317	CERAMIC
	303 409 3426	CERAMIC	C2418	303 438 0219	CERAMIC
C2364	303 438 0219	CERAMIC		303 409 3426	CERAMIC
	303 409 3426	CERAMIC	C2419	303 276 1317	CERAMIC
C2365	303 438 0219	CERAMIC	C2421	303 438 0219	CERAMIC
	303 409 3426	CERAMIC		303 409 3426	CERAMIC
C2366	303 438 0219	CERAMIC	C2422	303 276 1317	CERAMIC
	303 409 3426	CERAMIC	C2423	303 438 0219	CERAMIC
C2367	303 438 0219	CERAMIC		303 409 3426	CERAMIC
	303 409 3426	CERAMIC	C2424	303 276 1317	CERAMIC
C2368	303 438 0219	CERAMIC	C2426	303 438 0219	CERAMIC
	303 409 3426	CERAMIC		303 409 3426	CERAMIC
C2369	303 438 0219	CERAMIC	C2427	303 276 1317	CERAMIC
	303 409 3426	CERAMIC	C2428	303 438 0219	CERAMIC
C237	303 438 0219	CERAMIC		303 409 3426	CERAMIC
	303 409 3426	CERAMIC	C2429	303 276 1317	CERAMIC
C2371	403 455 1616	CERAMIC	C2431	303 438 0219	CERAMIC
C2372	403 455 1616	CERAMIC		303 409 3426	CERAMIC
C2373	303 438 0219	CERAMIC	C2432	303 276 1317	CERAMIC
	303 409 3426	CERAMIC	C2433	303 438 0219	CERAMIC
C2374	303 438 0219	CERAMIC		303 409 3426	CERAMIC
	303 409 3426	CERAMIC	C2434	303 438 0219	CERAMIC
C2376	303 438 0219	CERAMIC		303 409 3426	CERAMIC
	303 409 3426	CERAMIC	C2436	303 276 1317	CERAMIC
C2377	303 450 7012	CERAMIC	C2437	303 438 0219	CERAMIC
C2378	303 438 0219	CERAMIC		303 409 3426	CERAMIC
	303 409 3426	CERAMIC	C2438	303 276 1317	CERAMIC
C2379	303 438 0219	CERAMIC	C2439	303 438 0219	CERAMIC
	303 409 3426	CERAMIC		303 409 3426	CERAMIC
C238	303 438 0219	CERAMIC	C2441	303 438 0219	CERAMIC
	303 409 3426	CERAMIC		303 409 3426	CERAMIC
C2381	403 455 1012	CERAMIC	C2442	303 438 0219	CERAMIC
	303 433 1112	CERAMIC		303 409 3426	CERAMIC
C2382	303 438 0219	CERAMIC	C2443	303 276 1317	CERAMIC
	303 409 3426	CERAMIC	C2444	303 438 0219	CERAMIC
C2383	303 443 9214	CERAMIC		303 409 3426	CERAMIC
	303 392 5015	CERAMIC	C2446	303 276 1317	CERAMIC
C2391	403 455 1012	CERAMIC	C2447	303 438 0219	CERAMIC
	303 433 1112	CERAMIC		303 409 3426	CERAMIC
C2392	303 438 0219	CERAMIC	C2448	303 438 0219	CERAMIC
	303 409 3426	CERAMIC		303 409 3426	CERAMIC
C2393	303 443 9214	CERAMIC	C2449	303 438 0219	CERAMIC
	303 392 5015	CERAMIC		303 409 3426	CERAMIC
C2401	303 438 0219	CERAMIC	C2451	303 438 0219	CERAMIC

Electrical Parts List

Key No.	Part No.	Description	Key No.	Part No.	Description
	303 409 3426	CERAMIC 0.1U K 16V		303 409 3426	CERAMIC 0.1U K 16V
C2452	303 438 0219	CERAMIC 0.1U K 16V	C2506	303 276 1317	CERAMIC 1000P K 50V
	303 409 3426	CERAMIC 0.1U K 16V	C2507	403 455 1616	CERAMIC 10U K 16V
C2453	303 276 1317	CERAMIC 1000P K 50V	C2508	303 438 0219	CERAMIC 0.1U K 16V
C2454	303 438 0219	CERAMIC 0.1U K 16V		303 409 3426	CERAMIC 0.1U K 16V
	303 409 3426	CERAMIC 0.1U K 16V	C2509	303 276 1317	CERAMIC 1000P K 50V
C2456	303 276 1317	CERAMIC 1000P K 50V	C2511	303 438 0219	CERAMIC 0.1U K 16V
C2457	303 438 0219	CERAMIC 0.1U K 16V		303 409 3426	CERAMIC 0.1U K 16V
	303 409 3426	CERAMIC 0.1U K 16V	C2512	303 276 1317	CERAMIC 1000P K 50V
C2458	303 276 1317	CERAMIC 1000P K 50V	C2513	403 455 1616	CERAMIC 10U K 16V
C2459	303 438 0219	CERAMIC 0.1U K 16V	C2514	303 438 0219	CERAMIC 0.1U K 16V
	303 409 3426	CERAMIC 0.1U K 16V		303 409 3426	CERAMIC 0.1U K 16V
C2461	303 276 1317	CERAMIC 1000P K 50V	C2516	303 276 1317	CERAMIC 1000P K 50V
C2462	303 438 0219	CERAMIC 0.1U K 16V	C2517	303 438 0219	CERAMIC 0.1U K 16V
	303 409 3426	CERAMIC 0.1U K 16V		303 409 3426	CERAMIC 0.1U K 16V
C2463	303 276 1317	CERAMIC 1000P K 50V	C2518	303 276 1317	CERAMIC 1000P K 50V
C2464	303 438 0219	CERAMIC 0.1U K 16V	C2521	303 437 4614	CERAMIC 10U K 25V
	303 409 3426	CERAMIC 0.1U K 16V	C2522	303 367 0410	CERAMIC 0.1U K 50V
C2466	303 276 1317	CERAMIC 1000P K 50V	C2523	303 367 0410	CERAMIC 0.1U K 50V
C2467	303 438 0219	CERAMIC 0.1U K 16V	C2524	303 396 9613	CERAMIC 1U K 25V
	303 409 3426	CERAMIC 0.1U K 16V	C2526	303 437 4614	CERAMIC 10U K 25V
C2468	303 276 1317	CERAMIC 1000P K 50V	C2527	303 367 0410	CERAMIC 0.1U K 50V
C2469	303 438 0219	CERAMIC 0.1U K 16V	C2529	303 367 0410	CERAMIC 0.1U K 50V
	303 409 3426	CERAMIC 0.1U K 16V	C2531	303 367 0410	CERAMIC 0.1U K 50V
C2471	303 276 1317	CERAMIC 1000P K 50V	C2532	303 367 0410	CERAMIC 0.1U K 50V
C2472	303 438 0219	CERAMIC 0.1U K 16V	C2533	303 367 0410	CERAMIC 0.1U K 50V
	303 409 3426	CERAMIC 0.1U K 16V	C2536	303 282 5118	CERAMIC 470P K 50V
C2473	303 276 1317	CERAMIC 1000P K 50V	C2537	403 455 1616	CERAMIC 10U K 16V
C2474	303 438 0219	CERAMIC 0.1U K 16V	C2538	303 438 0219	CERAMIC 0.1U K 16V
	303 409 3426	CERAMIC 0.1U K 16V		303 409 3426	CERAMIC 0.1U K 16V
C2476	303 438 0219	CERAMIC 0.1U K 16V	C2539	303 276 1317	CERAMIC 1000P K 50V
	303 409 3426	CERAMIC 0.1U K 16V	C2541	303 367 0410	CERAMIC 0.1U K 50V
C2477	303 438 0219	CERAMIC 0.1U K 16V	C2542	303 437 4614	CERAMIC 10U K 25V
	303 409 3426	CERAMIC 0.1U K 16V	C2543	303 294 6110	CERAMIC 100P J 50V
C2478	303 438 0219	CERAMIC 0.1U K 16V	C2551	403 455 1616	CERAMIC 10U K 16V
	303 409 3426	CERAMIC 0.1U K 16V	C2552	303 438 0219	CERAMIC 0.1U K 16V
C2479	303 438 0219	CERAMIC 0.1U K 16V		303 409 3426	CERAMIC 0.1U K 16V
	303 409 3426	CERAMIC 0.1U K 16V	C2553	303 276 1317	CERAMIC 1000P K 50V
C2481	303 276 1317	CERAMIC 1000P K 50V	C2554	303 438 0219	CERAMIC 0.1U K 16V
C2482	303 438 0219	CERAMIC 0.1U K 16V		303 409 3426	CERAMIC 0.1U K 16V
	303 409 3426	CERAMIC 0.1U K 16V	C2556	303 276 1317	CERAMIC 1000P K 50V
C2483	303 276 1317	CERAMIC 1000P K 50V	C2557	403 455 1616	CERAMIC 10U K 16V
C2484	303 438 0219	CERAMIC 0.1U K 16V	C2558	303 438 0219	CERAMIC 0.1U K 16V
	303 409 3426	CERAMIC 0.1U K 16V		303 409 3426	CERAMIC 0.1U K 16V
C2486	303 276 1317	CERAMIC 1000P K 50V	C2559	303 276 1317	CERAMIC 1000P K 50V
C2487	303 438 0219	CERAMIC 0.1U K 16V	C2561	303 438 0219	CERAMIC 0.1U K 16V
	303 409 3426	CERAMIC 0.1U K 16V		303 409 3426	CERAMIC 0.1U K 16V
C2488	303 276 1317	CERAMIC 1000P K 50V	C2562	303 276 1317	CERAMIC 1000P K 50V
C2489	303 438 0219	CERAMIC 0.1U K 16V	C2563	403 455 1616	CERAMIC 10U K 16V
	303 409 3426	CERAMIC 0.1U K 16V	C2564	303 438 0219	CERAMIC 0.1U K 16V
C2491	303 276 1317	CERAMIC 1000P K 50V		303 409 3426	CERAMIC 0.1U K 16V
C2492	303 438 0219	CERAMIC 0.1U K 16V	C2565	303 396 9613	CERAMIC 1U K 25V
	303 409 3426	CERAMIC 0.1U K 16V	C2566	303 276 1317	CERAMIC 1000P K 50V
C2493	303 276 1317	CERAMIC 1000P K 50V	C2567	303 438 0219	CERAMIC 0.1U K 16V
C2494	303 438 0219	CERAMIC 0.1U K 16V		303 409 3426	CERAMIC 0.1U K 16V
	303 409 3426	CERAMIC 0.1U K 16V	C2568	303 276 1317	CERAMIC 1000P K 50V
C2496	303 276 1317	CERAMIC 1000P K 50V	C2570	303 387 7314	ELECT 47U M 25V
C2497	303 438 0219	CERAMIC 0.1U K 16V		303 398 5415	ELECT 47U M 25V
	303 409 3426	CERAMIC 0.1U K 16V	C2571	303 437 4614	CERAMIC 10U K 25V
C2498	303 276 1317	CERAMIC 1000P K 50V	C2572	303 367 0410	CERAMIC 0.1U K 50V
C2499	303 438 0219	CERAMIC 0.1U K 16V	C2573	303 367 0410	CERAMIC 0.1U K 50V
	303 409 3426	CERAMIC 0.1U K 16V	C2574	303 396 9613	CERAMIC 1U K 25V
C2501	403 455 1616	CERAMIC 10U K 16V	C2576	303 437 4614	CERAMIC 10U K 25V
C2502	303 438 0219	CERAMIC 0.1U K 16V	C2577	303 367 0410	CERAMIC 0.1U K 50V
	303 409 3426	CERAMIC 0.1U K 16V	C2579	303 367 0410	CERAMIC 0.1U K 50V
C2503	303 276 1317	CERAMIC 1000P K 50V	C2581	303 367 0410	CERAMIC 0.1U K 50V
C2504	303 438 0219	CERAMIC 0.1U K 16V	C2582	303 367 0410	CERAMIC 0.1U K 50V

Electrical Parts List

Key No.	Part No.	Description	Key No.	Part No.	Description
C3435	403 455 1012	CERAMIC 1U K 10V		303 433 1112	CERAMIC 1U K 10V
	303 433 1112	CERAMIC 1U K 10V	C3474	403 455 1012	CERAMIC 1U K 10V
C3436	403 455 1012	CERAMIC 1U K 10V		303 433 1112	CERAMIC 1U K 10V
	303 433 1112	CERAMIC 1U K 10V	C3475	403 455 1012	CERAMIC 1U K 10V
C3437	403 455 1012	CERAMIC 1U K 10V		303 433 1112	CERAMIC 1U K 10V
	303 433 1112	CERAMIC 1U K 10V	C3477	403 455 1012	CERAMIC 1U K 10V
C3438	403 455 1012	CERAMIC 1U K 10V		303 433 1112	CERAMIC 1U K 10V
	303 433 1112	CERAMIC 1U K 10V	C3479	403 455 1012	CERAMIC 1U K 10V
C3439	403 455 1012	CERAMIC 1U K 10V		303 433 1112	CERAMIC 1U K 10V
	303 433 1112	CERAMIC 1U K 10V	C348	303 438 0219	CERAMIC 0.1U K 16V
C344	403 455 1012	CERAMIC 1U K 10V		303 409 3426	CERAMIC 0.1U K 16V
	303 433 1112	CERAMIC 1U K 10V	C3480	403 455 1012	CERAMIC 1U K 10V
C3440	403 455 1012	CERAMIC 1U K 10V		303 433 1112	CERAMIC 1U K 10V
	303 433 1112	CERAMIC 1U K 10V	C3481	403 455 1012	CERAMIC 1U K 10V
C3441	303 438 0219	CERAMIC 0.1U K 16V		303 433 1112	CERAMIC 1U K 10V
	303 409 3426	CERAMIC 0.1U K 16V	C3482	403 455 1012	CERAMIC 1U K 10V
C3445	403 455 1012	CERAMIC 1U K 10V		303 433 1112	CERAMIC 1U K 10V
	303 433 1112	CERAMIC 1U K 10V	C3483	403 455 1012	CERAMIC 1U K 10V
C3447	403 455 1012	CERAMIC 1U K 10V		303 433 1112	CERAMIC 1U K 10V
	303 433 1112	CERAMIC 1U K 10V	C3484	403 455 1012	CERAMIC 1U K 10V
C3448	403 455 1012	CERAMIC 1U K 10V		303 433 1112	CERAMIC 1U K 10V
	303 433 1112	CERAMIC 1U K 10V	C3485	403 455 1012	CERAMIC 1U K 10V
C3449	403 455 1012	CERAMIC 1U K 10V		303 433 1112	CERAMIC 1U K 10V
	303 433 1112	CERAMIC 1U K 10V	C3486	403 455 1012	CERAMIC 1U K 10V
C3450	403 455 1012	CERAMIC 1U K 10V		303 433 1112	CERAMIC 1U K 10V
	303 433 1112	CERAMIC 1U K 10V	C3487	403 455 1012	CERAMIC 1U K 10V
C3451	303 438 0219	CERAMIC 0.1U K 16V		303 433 1112	CERAMIC 1U K 10V
	303 409 3426	CERAMIC 0.1U K 16V	C3489	403 455 1012	CERAMIC 1U K 10V
C3452	403 455 1012	CERAMIC 1U K 10V		303 433 1112	CERAMIC 1U K 10V
	303 433 1112	CERAMIC 1U K 10V	C349	303 438 0219	CERAMIC 0.1U K 16V
C3453	403 455 1012	CERAMIC 1U K 10V		303 409 3426	CERAMIC 0.1U K 16V
	303 433 1112	CERAMIC 1U K 10V	C3490	403 455 1012	CERAMIC 1U K 10V
C3455	403 455 1012	CERAMIC 1U K 10V		303 433 1112	CERAMIC 1U K 10V
	303 433 1112	CERAMIC 1U K 10V	C3492	403 455 1012	CERAMIC 1U K 10V
C3456	403 455 1012	CERAMIC 1U K 10V		303 433 1112	CERAMIC 1U K 10V
	303 433 1112	CERAMIC 1U K 10V	C3493	403 455 1012	CERAMIC 1U K 10V
C3457	403 455 1012	CERAMIC 1U K 10V		303 433 1112	CERAMIC 1U K 10V
	303 433 1112	CERAMIC 1U K 10V	C3495	403 455 1012	CERAMIC 1U K 10V
C3459	403 455 1012	CERAMIC 1U K 10V		303 433 1112	CERAMIC 1U K 10V
	303 433 1112	CERAMIC 1U K 10V	C3496	403 455 1012	CERAMIC 1U K 10V
C346	303 438 0219	CERAMIC 0.1U K 16V		303 433 1112	CERAMIC 1U K 10V
	303 409 3426	CERAMIC 0.1U K 16V	C3497	403 455 1012	CERAMIC 1U K 10V
C3460	403 455 1012	CERAMIC 1U K 10V		303 433 1112	CERAMIC 1U K 10V
	303 433 1112	CERAMIC 1U K 10V	C3498	403 455 1012	CERAMIC 1U K 10V
C3461	403 455 1012	CERAMIC 1U K 10V		303 433 1112	CERAMIC 1U K 10V
	303 433 1112	CERAMIC 1U K 10V	C3501	303 437 4614	CERAMIC 10U K 25V
C3462	403 455 1012	CERAMIC 1U K 10V	C3502	303 367 0410	CERAMIC 0.1U K 50V
	303 433 1112	CERAMIC 1U K 10V	C3503	303 387 7314	ELECT 47U M 25V
C3463	403 455 1012	CERAMIC 1U K 10V		303 398 5415	ELECT 47U M 25V
	303 433 1112	CERAMIC 1U K 10V	C3504	303 367 0410	CERAMIC 0.1U K 50V
C3464	403 455 1012	CERAMIC 1U K 10V	C3505	303 437 4614	CERAMIC 10U K 25V
	303 433 1112	CERAMIC 1U K 10V	C3506	303 387 7314	ELECT 47U M 25V
C3465	403 455 1012	CERAMIC 1U K 10V		303 398 5415	ELECT 47U M 25V
	303 433 1112	CERAMIC 1U K 10V	C3507	303 367 0410	CERAMIC 0.1U K 50V
C3466	403 455 1012	CERAMIC 1U K 10V	C3509	303 367 0410	CERAMIC 0.1U K 50V
	303 433 1112	CERAMIC 1U K 10V	C351	303 438 0219	CERAMIC 0.1U K 16V
C3467	403 455 1012	CERAMIC 1U K 10V		303 409 3426	CERAMIC 0.1U K 16V
	303 433 1112	CERAMIC 1U K 10V	C3511	303 367 0410	CERAMIC 0.1U K 50V
C3468	403 455 1012	CERAMIC 1U K 10V	C3513	303 374 7815	ELECT 100UM 25V
	303 433 1112	CERAMIC 1U K 10V		303 444 0111	ELECT 100U M 25V
C3469	403 455 1012	CERAMIC 1U K 10V		303 376 3112	ELECT 100U M 25V
	303 433 1112	CERAMIC 1U K 10V	C3514	303 367 0410	CERAMIC 0.1U K 50V
C347	303 438 0219	CERAMIC 0.1U K 16V	C3515	303 374 7815	ELECT 100UM 25V
	303 409 3426	CERAMIC 0.1U K 16V		303 444 0111	ELECT 100U M 25V
C3470	403 455 1012	CERAMIC 1U K 10V		303 376 3112	ELECT 100U M 25V
	303 433 1112	CERAMIC 1U K 10V	C3516	303 367 0410	CERAMIC 0.1U K 50V
C3473	403 455 1012	CERAMIC 1U K 10V	C3518	303 374 7815	ELECT 100UM 25V

Electrical Parts List

Key No.	Part No.	Description	Key No.	Part No.	Description
	303 444 0111	ELECT		303 438 0219	CERAMIC
	303 376 3112	ELECT		303 409 3426	CERAMIC
C3519	303 367 0410	CERAMIC	C3571	403 455 1616	CERAMIC
C352	303 438 0219	CERAMIC	C3572	403 455 1616	CERAMIC
	303 409 3426	CERAMIC	C3573	303 438 0219	CERAMIC
C3520	303 374 7815	ELECT		303 409 3426	CERAMIC
	303 444 0111	ELECT	C3574	303 441 9810	CERAMIC
	303 376 3112	ELECT	C3576	303 441 9810	CERAMIC
C3521	303 437 4614	CERAMIC	C3577	303 438 0219	CERAMIC
C3522	303 367 0410	CERAMIC		303 409 3426	CERAMIC
C3523	303 387 7314	ELECT	C3578	303 450 7012	CERAMIC
	303 398 5415	ELECT	C358	303 438 0219	CERAMIC
C3524	303 367 0410	CERAMIC		303 409 3426	CERAMIC
C3525	303 437 4614	CERAMIC	C3581	403 455 1616	CERAMIC
C3526	303 387 7314	ELECT	C3582	403 455 1616	CERAMIC
	303 398 5415	ELECT	C3583	303 438 0219	CERAMIC
C3527	303 367 0410	CERAMIC		303 409 3426	CERAMIC
C3529	303 367 0410	CERAMIC	C3584	303 441 9810	CERAMIC
C353	303 438 0219	CERAMIC	C3586	303 438 0219	CERAMIC
	303 409 3426	CERAMIC		303 409 3426	CERAMIC
C3530	303 374 7815	ELECT	C3587	303 438 0219	CERAMIC
	303 444 0111	ELECT		303 409 3426	CERAMIC
	303 376 3112	ELECT	C3588	303 450 7012	CERAMIC
C3531	303 367 0410	CERAMIC	C3589	403 455 1616	CERAMIC
C3533	303 374 7815	ELECT	C359	303 438 0219	CERAMIC
	303 444 0111	ELECT		303 409 3426	CERAMIC
	303 376 3112	ELECT	C361	303 438 0219	CERAMIC
C3534	303 367 0410	CERAMIC		303 409 3426	CERAMIC
C3536	303 437 4614	CERAMIC	C362	403 455 1012	CERAMIC
C3537	303 367 0410	CERAMIC		303 433 1112	CERAMIC
C3538	303 437 4614	CERAMIC	C363	303 438 0219	CERAMIC
C3539	303 367 0410	CERAMIC		303 409 3426	CERAMIC
C3541	303 437 4614	CERAMIC	C364	403 455 1012	CERAMIC
C3542	303 367 0410	CERAMIC		303 433 1112	CERAMIC
C3543	303 387 7314	ELECT	C366	303 438 0219	CERAMIC
	303 398 5415	ELECT		303 409 3426	CERAMIC
C3544	303 367 0410	CERAMIC	C367	403 455 1012	CERAMIC
C3545	303 437 4614	CERAMIC		303 433 1112	CERAMIC
C3546	303 387 7314	ELECT	C368	303 438 0219	CERAMIC
	303 398 5415	ELECT		303 409 3426	CERAMIC
C3547	303 367 0410	CERAMIC	C369	403 455 1012	CERAMIC
C3549	303 367 0410	CERAMIC		303 433 1112	CERAMIC
C3550	303 374 7815	ELECT	C371	303 438 0219	CERAMIC
	303 444 0111	ELECT		303 409 3426	CERAMIC
	303 376 3112	ELECT	C372	303 438 0219	CERAMIC
C3551	303 367 0410	CERAMIC		303 409 3426	CERAMIC
C3553	303 374 7815	ELECT	C373	403 455 1012	CERAMIC
	303 444 0111	ELECT		303 433 1112	CERAMIC
	303 376 3112	ELECT	C374	303 438 0219	CERAMIC
C3554	303 367 0410	CERAMIC		303 409 3426	CERAMIC
C3556	303 437 4614	CERAMIC	C375	303 438 0219	CERAMIC
C3557	303 367 0410	CERAMIC		303 409 3426	CERAMIC
C356	303 438 0219	CERAMIC	C376	303 438 0219	CERAMIC
	303 409 3426	CERAMIC		303 409 3426	CERAMIC
C3562	403 455 1012	CERAMIC	C377	403 455 1012	CERAMIC
	303 433 1112	CERAMIC		303 433 1112	CERAMIC
C3563	303 443 9214	CERAMIC	C378	303 438 0219	CERAMIC
	303 392 5015	CERAMIC		303 409 3426	CERAMIC
C3564	403 455 1616	CERAMIC	C379	303 438 0219	CERAMIC
C3565	403 455 1616	CERAMIC		303 409 3426	CERAMIC
C3566	303 438 0219	CERAMIC	C381	403 455 1012	CERAMIC
	303 409 3426	CERAMIC		303 433 1112	CERAMIC
C3567	403 455 1012	CERAMIC	C382	303 438 0219	CERAMIC
	303 433 1112	CERAMIC		303 409 3426	CERAMIC
C3568	303 443 9214	CERAMIC	C383	303 438 0219	CERAMIC
	303 392 5015	CERAMIC		303 409 3426	CERAMIC
C3569	403 455 1616	CERAMIC	C384	303 438 0219	CERAMIC

Electrical Parts List

Key No.	Part No.	Description	Key No.	Part No.	Description
	303 409 3426	CERAMIC 0.1U K 16V	C427	303 276 1317	CERAMIC 1000P K 50V
C385	303 438 0219	CERAMIC 0.1U K 16V	C428	303 438 0219	CERAMIC 0.1U K 16V
	303 409 3426	CERAMIC 0.1U K 16V		303 409 3426	CERAMIC 0.1U K 16V
C386	403 455 1012	CERAMIC 1U K 10V	C429	303 276 1317	CERAMIC 1000P K 50V
	303 433 1112	CERAMIC 1U K 10V	C430	303 438 0219	CERAMIC 0.1U K 16V
C387	303 438 0219	CERAMIC 0.1U K 16V		303 409 3426	CERAMIC 0.1U K 16V
	303 409 3426	CERAMIC 0.1U K 16V	C431	403 455 1616	CERAMIC 10U K 16V
C388	303 438 0219	CERAMIC 0.1U K 16V	C432	403 455 1616	CERAMIC 10U K 16V
	303 409 3426	CERAMIC 0.1U K 16V	C433	303 438 0219	CERAMIC 0.1U K 16V
C389	303 438 0219	CERAMIC 0.1U K 16V		303 409 3426	CERAMIC 0.1U K 16V
	303 409 3426	CERAMIC 0.1U K 16V	C434	303 276 1317	CERAMIC 1000P K 50V
C391	303 438 0219	CERAMIC 0.1U K 16V	C435	303 438 0219	CERAMIC 0.1U K 16V
	303 409 3426	CERAMIC 0.1U K 16V		303 409 3426	CERAMIC 0.1U K 16V
C392	303 438 0219	CERAMIC 0.1U K 16V	C436	303 438 0219	CERAMIC 0.1U K 16V
	303 409 3426	CERAMIC 0.1U K 16V		303 409 3426	CERAMIC 0.1U K 16V
C393	303 438 0219	CERAMIC 0.1U K 16V	C437	303 276 1317	CERAMIC 1000P K 50V
	303 409 3426	CERAMIC 0.1U K 16V	C438	303 438 0219	CERAMIC 0.1U K 16V
C394	403 455 1012	CERAMIC 1U K 10V		303 409 3426	CERAMIC 0.1U K 16V
	303 433 1112	CERAMIC 1U K 10V	C439	303 276 1317	CERAMIC 1000P K 50V
C395	303 438 0219	CERAMIC 0.1U K 16V	C440	303 276 1317	CERAMIC 1000P K 50V
	303 409 3426	CERAMIC 0.1U K 16V	C441	303 438 0219	CERAMIC 0.1U K 16V
C396	303 438 0219	CERAMIC 0.1U K 16V		303 409 3426	CERAMIC 0.1U K 16V
	303 409 3426	CERAMIC 0.1U K 16V	C442	303 276 1317	CERAMIC 1000P K 50V
C397	303 438 0219	CERAMIC 0.1U K 16V	C443	303 438 0219	CERAMIC 0.1U K 16V
	303 409 3426	CERAMIC 0.1U K 16V		303 409 3426	CERAMIC 0.1U K 16V
C398	303 438 0219	CERAMIC 0.1U K 16V	C444	303 276 1317	CERAMIC 1000P K 50V
	303 409 3426	CERAMIC 0.1U K 16V	C445	303 438 0219	CERAMIC 0.1U K 16V
C399	303 438 0219	CERAMIC 0.1U K 16V		303 409 3426	CERAMIC 0.1U K 16V
	303 409 3426	CERAMIC 0.1U K 16V	C446	303 438 0219	CERAMIC 0.1U K 16V
C401	303 438 0219	CERAMIC 0.1U K 16V		303 409 3426	CERAMIC 0.1U K 16V
	303 409 3426	CERAMIC 0.1U K 16V	C447	303 276 1317	CERAMIC 1000P K 50V
C402	303 276 1317	CERAMIC 1000P K 50V	C448	303 438 0219	CERAMIC 0.1U K 16V
C403	403 455 1616	CERAMIC 10U K 16V		303 409 3426	CERAMIC 0.1U K 16V
C404	303 450 7012	CERAMIC 47U K 10V	C449	303 276 1317	CERAMIC 1000P K 50V
C405	303 276 1317	CERAMIC 1000P K 50V	C450	303 276 1317	CERAMIC 1000P K 50V
C406	303 438 0219	CERAMIC 0.1U K 16V	C451	303 438 0219	CERAMIC 0.1U K 16V
	303 409 3426	CERAMIC 0.1U K 16V		303 409 3426	CERAMIC 0.1U K 16V
C407	303 276 1317	CERAMIC 1000P K 50V	C452	303 276 1317	CERAMIC 1000P K 50V
C408	303 276 1317	CERAMIC 1000P K 50V	C453	303 438 0219	CERAMIC 0.1U K 16V
C409	303 438 0219	CERAMIC 0.1U K 16V		303 409 3426	CERAMIC 0.1U K 16V
	303 409 3426	CERAMIC 0.1U K 16V	C454	303 276 1317	CERAMIC 1000P K 50V
C410	303 438 0219	CERAMIC 0.1U K 16V	C455	303 438 0219	CERAMIC 0.1U K 16V
	303 409 3426	CERAMIC 0.1U K 16V		303 409 3426	CERAMIC 0.1U K 16V
C411	303 438 0219	CERAMIC 0.1U K 16V	C456	303 438 0219	CERAMIC 0.1U K 16V
	303 409 3426	CERAMIC 0.1U K 16V		303 409 3426	CERAMIC 0.1U K 16V
C412	303 276 1317	CERAMIC 1000P K 50V	C457	303 276 1317	CERAMIC 1000P K 50V
C413	303 438 0219	CERAMIC 0.1U K 16V	C458	303 438 0219	CERAMIC 0.1U K 16V
	303 409 3426	CERAMIC 0.1U K 16V		303 409 3426	CERAMIC 0.1U K 16V
C414	303 276 1317	CERAMIC 1000P K 50V	C459	303 276 1317	CERAMIC 1000P K 50V
C415	303 276 1317	CERAMIC 1000P K 50V	C460	303 276 1317	CERAMIC 1000P K 50V
C416	303 438 0219	CERAMIC 0.1U K 16V	C461	303 438 0219	CERAMIC 0.1U K 16V
	303 409 3426	CERAMIC 0.1U K 16V		303 409 3426	CERAMIC 0.1U K 16V
C417	303 276 1317	CERAMIC 1000P K 50V	C462	303 276 1317	CERAMIC 1000P K 50V
C418	303 438 0219	CERAMIC 0.1U K 16V	C4622	303 438 0219	CERAMIC 0.1U K 16V
	303 409 3426	CERAMIC 0.1U K 16V		303 409 3426	CERAMIC 0.1U K 16V
C419	303 276 1317	CERAMIC 1000P K 50V	C463	303 438 0219	CERAMIC 0.1U K 16V
C420	303 438 0219	CERAMIC 0.1U K 16V		303 409 3426	CERAMIC 0.1U K 16V
	303 409 3426	CERAMIC 0.1U K 16V	C464	303 276 1317	CERAMIC 1000P K 50V
C421	303 438 0219	CERAMIC 0.1U K 16V	C465	303 438 0219	CERAMIC 0.1U K 16V
	303 409 3426	CERAMIC 0.1U K 16V		303 409 3426	CERAMIC 0.1U K 16V
C422	303 276 1317	CERAMIC 1000P K 50V	C466	303 438 0219	CERAMIC 0.1U K 16V
C423	303 438 0219	CERAMIC 0.1U K 16V		303 409 3426	CERAMIC 0.1U K 16V
	303 409 3426	CERAMIC 0.1U K 16V	C467	303 276 1317	CERAMIC 1000P K 50V
C424	303 276 1317	CERAMIC 1000P K 50V	C468	303 438 0219	CERAMIC 0.1U K 16V
C425	303 276 1317	CERAMIC 1000P K 50V		303 409 3426	CERAMIC 0.1U K 16V
C426	303 438 0219	CERAMIC 0.1U K 16V	C469	303 276 1317	CERAMIC 1000P K 50V
	303 409 3426	CERAMIC 0.1U K 16V	C470	303 276 1317	CERAMIC 1000P K 50V

Electrical Parts List

Key No.	Part No.	Description	Key No.	Part No.	Description
C471	303 438 0219	CERAMIC 0.1U K 16V		303 409 3426	CERAMIC 0.1U K 16V
	303 409 3426	CERAMIC 0.1U K 16V	C487	303 438 0219	CERAMIC 0.1U K 16V
C4711	303 438 0219	CERAMIC 0.1U K 16V		303 409 3426	CERAMIC 0.1U K 16V
	303 409 3426	CERAMIC 0.1U K 16V	C488	303 438 0219	CERAMIC 0.1U K 16V
C4712	303 438 0219	CERAMIC 0.1U K 16V		303 409 3426	CERAMIC 0.1U K 16V
	303 409 3426	CERAMIC 0.1U K 16V	C489	303 438 0219	CERAMIC 0.1U K 16V
C472	303 276 1317	CERAMIC 1000P K 50V		303 409 3426	CERAMIC 0.1U K 16V
C4726	303 438 0219	CERAMIC 0.1U K 16V	C490	403 455 1616	CERAMIC 10U K 16V
	303 409 3426	CERAMIC 0.1U K 16V	C491	303 276 1317	CERAMIC 1000P K 50V
C4727	303 438 0219	CERAMIC 0.1U K 16V	C492	303 438 0219	CERAMIC 0.1U K 16V
	303 409 3426	CERAMIC 0.1U K 16V		303 409 3426	CERAMIC 0.1U K 16V
C473	303 438 0219	CERAMIC 0.1U K 16V	C493	303 276 1317	CERAMIC 1000P K 50V
	303 409 3426	CERAMIC 0.1U K 16V	C494	303 438 0219	CERAMIC 0.1U K 16V
C474	303 276 1317	CERAMIC 1000P K 50V		303 409 3426	CERAMIC 0.1U K 16V
C475	403 455 1616	CERAMIC 10U K 16V	C495	303 450 7012	CERAMIC 47U K 10V
C476	303 438 0219	CERAMIC 0.1U K 16V	C496	303 276 1317	CERAMIC 1000P K 50V
	303 409 3426	CERAMIC 0.1U K 16V	C497	303 438 0219	CERAMIC 0.1U K 16V
C477	303 276 1317	CERAMIC 1000P K 50V		303 409 3426	CERAMIC 0.1U K 16V
C478	303 438 0219	CERAMIC 0.1U K 16V	C498	303 276 1317	CERAMIC 1000P K 50V
	303 409 3426	CERAMIC 0.1U K 16V	C501	403 455 1616	CERAMIC 10U K 16V
C479	303 276 1317	CERAMIC 1000P K 50V	C502	303 438 0219	CERAMIC 0.1U K 16V
C480	403 455 1616	CERAMIC 10U K 16V		303 409 3426	CERAMIC 0.1U K 16V
C4801	303 443 9214	CERAMIC 22U M 6.3V	C503	303 276 1317	CERAMIC 1000P K 50V
	303 392 5015	CERAMIC 22U M 6.3V	C504	303 438 0219	CERAMIC 0.1U K 16V
C4802	303 314 5314	CERAMIC 5P C 50V		303 409 3426	CERAMIC 0.1U K 16V
C4803	303 314 5314	CERAMIC 5P C 50V	C506	303 276 1317	CERAMIC 1000P K 50V
C4806	303 438 0219	CERAMIC 0.1U K 16V	C507	403 455 1616	CERAMIC 10U K 16V
	303 409 3426	CERAMIC 0.1U K 16V	C508	303 438 0219	CERAMIC 0.1U K 16V
C4808	303 438 0219	CERAMIC 0.1U K 16V		303 409 3426	CERAMIC 0.1U K 16V
	303 409 3426	CERAMIC 0.1U K 16V	C509	303 276 1317	CERAMIC 1000P K 50V
C4809	303 438 0219	CERAMIC 0.1U K 16V	C511	303 438 0219	CERAMIC 0.1U K 16V
	303 409 3426	CERAMIC 0.1U K 16V		303 409 3426	CERAMIC 0.1U K 16V
C481	303 438 0219	CERAMIC 0.1U K 16V	C512	303 276 1317	CERAMIC 1000P K 50V
	303 409 3426	CERAMIC 0.1U K 16V	C513	403 455 1616	CERAMIC 10U K 16V
C4811	303 438 0219	CERAMIC 0.1U K 16V	C514	303 438 0219	CERAMIC 0.1U K 16V
	303 409 3426	CERAMIC 0.1U K 16V		303 409 3426	CERAMIC 0.1U K 16V
C4812	303 438 0219	CERAMIC 0.1U K 16V	C516	303 276 1317	CERAMIC 1000P K 50V
	303 409 3426	CERAMIC 0.1U K 16V	C517	303 438 0219	CERAMIC 0.1U K 16V
C482	303 276 1317	CERAMIC 1000P K 50V		303 409 3426	CERAMIC 0.1U K 16V
C4821	303 438 0219	CERAMIC 0.1U K 16V	C518	303 276 1317	CERAMIC 1000P K 50V
	303 409 3426	CERAMIC 0.1U K 16V	C521	303 437 4614	CERAMIC 10U K 25V
C4822	303 438 0219	CERAMIC 0.1U K 16V	C522	303 367 0410	CERAMIC 0.1U K 50V
	303 409 3426	CERAMIC 0.1U K 16V	C5221	303 438 0219	CERAMIC 0.1U K 16V
C4823	303 438 0219	CERAMIC 0.1U K 16V		303 409 3426	CERAMIC 0.1U K 16V
	303 409 3426	CERAMIC 0.1U K 16V	C5222	303 438 0219	CERAMIC 0.1U K 16V
C4824	303 438 0219	CERAMIC 0.1U K 16V		303 409 3426	CERAMIC 0.1U K 16V
	303 409 3426	CERAMIC 0.1U K 16V	C5223	303 438 0219	CERAMIC 0.1U K 16V
C4825	403 455 1616	CERAMIC 10U K 16V		303 409 3426	CERAMIC 0.1U K 16V
C4826	303 438 0219	CERAMIC 0.1U K 16V	C5224	303 438 0219	CERAMIC 0.1U K 16V
	303 409 3426	CERAMIC 0.1U K 16V		303 409 3426	CERAMIC 0.1U K 16V
C4827	303 438 0219	CERAMIC 0.1U K 16V	C5225	303 438 0219	CERAMIC 0.1U K 16V
	303 409 3426	CERAMIC 0.1U K 16V		303 409 3426	CERAMIC 0.1U K 16V
C4828	303 438 0219	CERAMIC 0.1U K 16V	C5226	303 438 0219	CERAMIC 0.1U K 16V
	303 409 3426	CERAMIC 0.1U K 16V		303 409 3426	CERAMIC 0.1U K 16V
C4829	303 438 0219	CERAMIC 0.1U K 16V	C5227	303 438 0219	CERAMIC 0.1U K 16V
	303 409 3426	CERAMIC 0.1U K 16V		303 409 3426	CERAMIC 0.1U K 16V
C483	303 438 0219	CERAMIC 0.1U K 16V	C5228	303 438 0219	CERAMIC 0.1U K 16V
	303 409 3426	CERAMIC 0.1U K 16V		303 409 3426	CERAMIC 0.1U K 16V
C4831	303 438 0219	CERAMIC 0.1U K 16V	C5229	303 438 0219	CERAMIC 0.1U K 16V
	303 409 3426	CERAMIC 0.1U K 16V		303 409 3426	CERAMIC 0.1U K 16V
C4832	303 443 9214	CERAMIC 22U M 6.3V	C523	303 367 0410	CERAMIC 0.1U K 50V
	303 392 5015	CERAMIC 22U M 6.3V	C5231	303 438 0219	CERAMIC 0.1U K 16V
C4834	303 438 0219	CERAMIC 0.1U K 16V		303 409 3426	CERAMIC 0.1U K 16V
	303 409 3426	CERAMIC 0.1U K 16V	C5232	303 438 0219	CERAMIC 0.1U K 16V
C484	303 276 1317	CERAMIC 1000P K 50V		303 409 3426	CERAMIC 0.1U K 16V
C485	403 455 1616	CERAMIC 10U K 16V	C5233	303 438 0219	CERAMIC 0.1U K 16V
C486	303 438 0219	CERAMIC 0.1U K 16V		303 409 3426	CERAMIC 0.1U K 16V

Electrical Parts List

Key No.	Part No.	Description	Key No.	Part No.	Description
C5234	303 438 0219	CERAMIC 0.1U K 16V		303 444 0111	ELECT 100U M 25V
	303 409 3426	CERAMIC 0.1U K 16V		303 376 3112	ELECT 100U M 25V
C5235	303 438 0219	CERAMIC 0.1U K 16V	C5543	303 441 9810	CERAMIC 0.01U K 50V
	303 409 3426	CERAMIC 0.1U K 16V	C5544	303 374 7815	ELECT 100UM 25V
C5236	303 438 0219	CERAMIC 0.1U K 16V		303 444 0111	ELECT 100U M 25V
	303 409 3426	CERAMIC 0.1U K 16V		303 376 3112	ELECT 100U M 25V
C5237	303 438 0219	CERAMIC 0.1U K 16V	C5545	303 438 0219	CERAMIC 0.1U K 16V
	303 409 3426	CERAMIC 0.1U K 16V		303 409 3426	CERAMIC 0.1U K 16V
C5238	303 438 0219	CERAMIC 0.1U K 16V	C5546	303 438 0219	CERAMIC 0.1U K 16V
	303 409 3426	CERAMIC 0.1U K 16V		303 409 3426	CERAMIC 0.1U K 16V
C5239	303 438 0219	CERAMIC 0.1U K 16V	C5547	303 438 0219	CERAMIC 0.1U K 16V
	303 409 3426	CERAMIC 0.1U K 16V		303 409 3426	CERAMIC 0.1U K 16V
C524	303 396 9613	CERAMIC 1U K 25V	C5548	303 438 0219	CERAMIC 0.1U K 16V
C5241	303 438 0219	CERAMIC 0.1U K 16V		303 409 3426	CERAMIC 0.1U K 16V
	303 409 3426	CERAMIC 0.1U K 16V	C5549	303 438 0219	CERAMIC 0.1U K 16V
C5243	303 438 0219	CERAMIC 0.1U K 16V		303 409 3426	CERAMIC 0.1U K 16V
	303 409 3426	CERAMIC 0.1U K 16V	C5550	303 438 0219	CERAMIC 0.1U K 16V
C5244	303 438 0219	CERAMIC 0.1U K 16V		303 409 3426	CERAMIC 0.1U K 16V
	303 409 3426	CERAMIC 0.1U K 16V	C556	303 276 1317	CERAMIC 1000P K 50V
C5245	303 438 0219	CERAMIC 0.1U K 16V	C5561	303 438 0219	CERAMIC 0.1U K 16V
	303 409 3426	CERAMIC 0.1U K 16V		303 409 3426	CERAMIC 0.1U K 16V
C5246	303 438 0219	CERAMIC 0.1U K 16V	C5562	303 441 9810	CERAMIC 0.01U K 50V
	303 409 3426	CERAMIC 0.1U K 16V	C5567	403 455 1012	CERAMIC 1U K 10V
C5247	303 438 0219	CERAMIC 0.1U K 16V		303 433 1112	CERAMIC 1U K 10V
	303 409 3426	CERAMIC 0.1U K 16V	C557	403 455 1616	CERAMIC 10U K 16V
C5248	303 438 0219	CERAMIC 0.1U K 16V	C558	303 438 0219	CERAMIC 0.1U K 16V
	303 409 3426	CERAMIC 0.1U K 16V		303 409 3426	CERAMIC 0.1U K 16V
C5249	303 438 0219	CERAMIC 0.1U K 16V	C559	303 276 1317	CERAMIC 1000P K 50V
	303 409 3426	CERAMIC 0.1U K 16V	C561	303 438 0219	CERAMIC 0.1U K 16V
C526	303 437 4614	CERAMIC 10U K 25V		303 409 3426	CERAMIC 0.1U K 16V
C5261	403 455 1012	CERAMIC 1U K 10V	C5613	403 455 1616	CERAMIC 10U K 16V
	303 433 1112	CERAMIC 1U K 10V	C5614	403 455 1616	CERAMIC 10U K 16V
C5263	303 443 9214	CERAMIC 22U M 6.3V	C5615	303 438 0219	CERAMIC 0.1U K 16V
	303 392 5015	CERAMIC 22U M 6.3V		303 409 3426	CERAMIC 0.1U K 16V
C527	303 367 0410	CERAMIC 0.1U K 50V	C5616	303 441 9810	CERAMIC 0.01U K 50V
C529	303 367 0410	CERAMIC 0.1U K 50V	C5618	303 438 0219	CERAMIC 0.1U K 16V
C5291	403 455 1012	CERAMIC 1U K 10V		303 409 3426	CERAMIC 0.1U K 16V
	303 433 1112	CERAMIC 1U K 10V	C5619	303 450 7012	CERAMIC 47U K 10V
C5292	303 443 9214	CERAMIC 22U M 6.3V	C562	303 276 1317	CERAMIC 1000P K 50V
	303 392 5015	CERAMIC 22U M 6.3V	C5620	403 455 1012	CERAMIC 1U K 10V
C531	303 367 0410	CERAMIC 0.1U K 50V		303 433 1112	CERAMIC 1U K 10V
C532	303 367 0410	CERAMIC 0.1U K 50V	C563	403 455 1616	CERAMIC 10U K 16V
C533	303 367 0410	CERAMIC 0.1U K 50V	C5631	403 455 1012	CERAMIC 1U K 10V
C5333	303 438 0219	CERAMIC 0.1U K 16V		303 433 1112	CERAMIC 1U K 10V
	303 409 3426	CERAMIC 0.1U K 16V	C5633	303 438 0219	CERAMIC 0.1U K 16V
C536	303 282 5118	CERAMIC 470P K 50V		303 409 3426	CERAMIC 0.1U K 16V
C537	403 455 1616	CERAMIC 10U K 16V	C5634	303 443 9214	CERAMIC 22U M 6.3V
C538	303 438 0219	CERAMIC 0.1U K 16V		303 392 5015	CERAMIC 22U M 6.3V
	303 409 3426	CERAMIC 0.1U K 16V	C564	303 438 0219	CERAMIC 0.1U K 16V
C539	303 276 1317	CERAMIC 1000P K 50V		303 409 3426	CERAMIC 0.1U K 16V
C541	303 367 0410	CERAMIC 0.1U K 50V	C5646	403 455 1012	CERAMIC 1U K 10V
C542	303 437 4614	CERAMIC 10U K 25V		303 433 1112	CERAMIC 1U K 10V
C543	303 294 6110	CERAMIC 100P J 50V	C565	303 396 9613	CERAMIC 1U K 25V
C5501	303 438 0219	CERAMIC 0.1U K 16V	C5651	403 455 1616	CERAMIC 10U K 16V
	303 409 3426	CERAMIC 0.1U K 16V	C5652	403 455 1616	CERAMIC 10U K 16V
C5502	303 441 9810	CERAMIC 0.01U K 50V	C5653	303 438 0219	CERAMIC 0.1U K 16V
C551	403 455 1616	CERAMIC 10U K 16V		303 409 3426	CERAMIC 0.1U K 16V
C552	303 438 0219	CERAMIC 0.1U K 16V	C5654	303 438 0219	CERAMIC 0.1U K 16V
	303 409 3426	CERAMIC 0.1U K 16V		303 409 3426	CERAMIC 0.1U K 16V
C5521	303 438 0219	CERAMIC 0.1U K 16V	C5655	303 441 9810	CERAMIC 0.01U K 50V
	303 409 3426	CERAMIC 0.1U K 16V	C5657	303 438 0219	CERAMIC 0.1U K 16V
C5522	303 441 9810	CERAMIC 0.01U K 50V		303 409 3426	CERAMIC 0.1U K 16V
C553	303 276 1317	CERAMIC 1000P K 50V	C5658	303 450 7012	CERAMIC 47U K 10V
C554	303 438 0219	CERAMIC 0.1U K 16V	C566	303 276 1317	CERAMIC 1000P K 50V
	303 409 3426	CERAMIC 0.1U K 16V	C5661	403 455 1012	CERAMIC 1U K 10V
C5541	403 455 1616	CERAMIC 10U K 16V		303 433 1112	CERAMIC 1U K 10V
C5542	303 374 7815	ELECT 100UM 25V	C5662	303 438 0219	CERAMIC 0.1U K 16V

Electrical Parts List

Key No.	Part No.	Description	Key No.	Part No.	Description
	303 409 3426	CERAMIC		303 409 3426	CERAMIC
C5663	303 443 9214	CERAMIC	C6414	303 438 0219	CERAMIC
	303 392 5015	CERAMIC		303 409 3426	CERAMIC
C567	303 438 0219	CERAMIC	C6416	303 438 0219	CERAMIC
	303 409 3426	CERAMIC		303 409 3426	CERAMIC
C5671	303 438 0219	CERAMIC	C6417	303 450 7012	CERAMIC
	303 409 3426	CERAMIC	C6418	403 455 1012	CERAMIC
C5674	403 455 1012	CERAMIC		303 433 1112	CERAMIC
	303 433 1112	CERAMIC	C6421	403 455 1616	CERAMIC
C5675	303 438 0219	CERAMIC	C6501	303 396 9613	CERAMIC
	303 409 3426	CERAMIC	C6502	303 441 9810	CERAMIC
C5676	303 443 9214	CERAMIC	C6521	303 367 0410	CERAMIC
	303 392 5015	CERAMIC	C6522	303 441 9810	CERAMIC
C568	303 276 1317	CERAMIC	C6541	303 438 0219	CERAMIC
C5681	403 455 1012	CERAMIC		303 409 3426	CERAMIC
	303 433 1112	CERAMIC	C6571	303 438 0219	CERAMIC
C5682	403 455 1012	CERAMIC		303 409 3426	CERAMIC
	303 433 1112	CERAMIC	C6601	403 455 1616	CERAMIC
C5683	303 443 9214	CERAMIC	C6602	403 455 1616	CERAMIC
	303 392 5015	CERAMIC	C6603	303 438 0219	CERAMIC
C5686	303 450 7012	CERAMIC		303 409 3426	CERAMIC
C570	303 387 7314	ELECT	C6604	303 441 9810	CERAMIC
	303 398 5415	ELECT	C6607	303 438 0219	CERAMIC
C571	303 437 4614	CERAMIC		303 409 3426	CERAMIC
C572	303 367 0410	CERAMIC	C6608	303 450 7012	CERAMIC
C573	303 367 0410	CERAMIC	C6609	303 450 7012	CERAMIC
C574	303 396 9613	CERAMIC	C6611	403 455 1616	CERAMIC
C576	303 437 4614	CERAMIC	C6612	403 455 1616	CERAMIC
C577	303 367 0410	CERAMIC	C6613	303 438 0219	CERAMIC
C579	303 367 0410	CERAMIC		303 409 3426	CERAMIC
C5801	303 438 0219	CERAMIC	C6615	303 441 9810	CERAMIC
	303 409 3426	CERAMIC	C6616	303 438 0219	CERAMIC
C5802	303 438 0219	CERAMIC		303 409 3426	CERAMIC
	303 409 3426	CERAMIC	C6617	303 450 7012	CERAMIC
C5803	303 438 0219	CERAMIC	C6618	303 450 7012	CERAMIC
	303 409 3426	CERAMIC	C6631	303 374 7815	ELECT
C5804	303 438 0219	CERAMIC		303 444 0111	ELECT
	303 409 3426	CERAMIC		303 376 3112	ELECT
C5806	303 438 0219	CERAMIC	C6633	303 374 7815	ELECT
	303 409 3426	CERAMIC		303 444 0111	ELECT
C5807	303 438 0219	CERAMIC		303 376 3112	ELECT
	303 409 3426	CERAMIC	C6634	303 367 0410	CERAMIC
C5808	303 438 0219	CERAMIC	C6671	403 455 1616	CERAMIC
	303 409 3426	CERAMIC	C6681	303 396 9613	CERAMIC
C5809	403 455 1616	CERAMIC	C6682	303 367 0410	CERAMIC
C581	303 367 0410	CERAMIC	C6683	303 367 0410	CERAMIC
C582	303 367 0410	CERAMIC	C6684	303 367 0410	CERAMIC
C583	303 367 0410	CERAMIC	C6686	303 367 0410	CERAMIC
C5851	403 455 1012	CERAMIC	C6687	303 423 8916	ELECT
	303 433 1112	CERAMIC		303 381 5613	ELECT
C586	303 282 5118	CERAMIC		403 458 4812	ELECT
C587	403 455 1616	CERAMIC	C6688	303 423 8916	ELECT
C588	303 438 0219	CERAMIC		303 381 5613	ELECT
	303 409 3426	CERAMIC		403 458 4812	ELECT
C5881	403 455 1012	CERAMIC	C6691	303 420 1415	ELECT
	303 433 1112	CERAMIC		303 393 0019	ELECT
C5882	403 455 1616	CERAMIC		403 458 4614	ELECT
C589	303 276 1317	CERAMIC	C6693	303 367 0410	CERAMIC
C5891	403 455 1012	CERAMIC	C6694	303 438 0219	CERAMIC
	303 433 1112	CERAMIC		303 409 3426	CERAMIC
C5892	403 455 1616	CERAMIC	C6696	403 455 1616	CERAMIC
C6401	403 455 1012	CERAMIC	C6697	403 455 1616	CERAMIC
	303 433 1112	CERAMIC	C6698	303 438 0219	CERAMIC
C6405	403 455 1616	CERAMIC		303 409 3426	CERAMIC
C6408	403 455 1616	CERAMIC	C7403	303 438 0219	CERAMIC
C6409	403 455 1616	CERAMIC		303 409 3426	CERAMIC
C6413	303 438 0219	CERAMIC	C7404	303 438 0219	CERAMIC

Electrical Parts List

Key No.	Part No.	Description	Key No.	Part No.	Description
	303 409 3426	CERAMIC 0.1U K 16V	C7807	303 438 0219	CERAMIC 0.1U K 16V
C7405	303 441 9810	CERAMIC 0.01U K 50V		303 409 3426	CERAMIC 0.1U K 16V
C7406	303 438 0219	CERAMIC 0.1U K 16V	C7808	303 438 0219	CERAMIC 0.1U K 16V
	303 409 3426	CERAMIC 0.1U K 16V		303 409 3426	CERAMIC 0.1U K 16V
C7407	303 441 9810	CERAMIC 0.01U K 50V	C7809	303 438 0219	CERAMIC 0.1U K 16V
C7408	303 441 9810	CERAMIC 0.01U K 50V		303 409 3426	CERAMIC 0.1U K 16V
C7409	303 441 9810	CERAMIC 0.01U K 50V	C7811	303 438 0219	CERAMIC 0.1U K 16V
C7411	303 367 0410	CERAMIC 0.1U K 50V		303 409 3426	CERAMIC 0.1U K 16V
C7431	303 374 7815	ELECT 100UM 25V	C7812	303 438 0219	CERAMIC 0.1U K 16V
	303 444 0111	ELECT 100U M 25V		303 409 3426	CERAMIC 0.1U K 16V
	303 376 3112	ELECT 100U M 25V	C7821	303 438 0219	CERAMIC 0.1U K 16V
C7432	303 367 0410	CERAMIC 0.1U K 50V		303 409 3426	CERAMIC 0.1U K 16V
C7433	303 367 0410	CERAMIC 0.1U K 50V	C7822	303 387 7314	ELECT 47U M 25V
C7434	303 367 0410	CERAMIC 0.1U K 50V		303 398 5415	ELECT 47U M 25V
C7435	303 379 7315	CERAMIC 4700P K 50V	C7823	303 441 9810	CERAMIC 0.01U K 50V
C7436	303 306 6510	CERAMIC 8200P K 50V	C7824	303 441 9810	CERAMIC 0.01U K 50V
C7437	303 403 2514	ELECT 220U M 35V	C7825	303 369 3211	ELECT 100U M 16V
C7701	303 396 9613	CERAMIC 1U K 25V		303 381 5316	ELECT 100U M 16V
C7702	303 367 0410	CERAMIC 0.1U K 50V		403 458 7615	ELECT 100U M 16V
C7703	303 367 0410	CERAMIC 0.1U K 50V	C7831	303 438 0219	CERAMIC 0.1U K 16V
C7704	303 367 0410	CERAMIC 0.1U K 50V		303 409 3426	CERAMIC 0.1U K 16V
C7706	303 367 0410	CERAMIC 0.1U K 50V	C7832	303 438 0219	CERAMIC 0.1U K 16V
C7707	303 423 8916	ELECT 220U M 16V		303 409 3426	CERAMIC 0.1U K 16V
	303 381 5613	ELECT 220U M 16V	C7833	303 423 8916	ELECT 220U M 16V
	403 458 4812	ELECT 220U M 16V		303 381 5613	ELECT 220U M 16V
C7709	303 336 3510	CERAMIC 0.47U K 16V		403 458 4812	ELECT 220U M 16V
C7711	403 455 1012	CERAMIC 1U K 10V	C7834	303 438 0219	CERAMIC 0.1U K 16V
	303 433 1112	CERAMIC 1U K 10V		303 409 3426	CERAMIC 0.1U K 16V
C7712	303 438 0219	CERAMIC 0.1U K 16V	C7841	303 438 0219	CERAMIC 0.1U K 16V
	303 409 3426	CERAMIC 0.1U K 16V		303 409 3426	CERAMIC 0.1U K 16V
C7713	303 407 3517	ELECT 470U M 16V	C7842	303 387 7314	ELECT 47U M 25V
	403 458 5017	ELECT 470U M 16V		303 398 5415	ELECT 47U M 25V
	303 381 9918	ELECT 470U M 16V	C7843	303 441 9810	CERAMIC 0.01U K 50V
C7714	403 455 1012	CERAMIC 1U K 10V	C7844	303 441 9810	CERAMIC 0.01U K 50V
	303 433 1112	CERAMIC 1U K 10V	C7845	303 369 3211	ELECT 100U M 16V
C7716	403 455 1616	CERAMIC 10U K 16V		303 381 5316	ELECT 100U M 16V
C7721	303 396 9613	CERAMIC 1U K 25V		403 458 7615	ELECT 100U M 16V
C7722	303 367 0410	CERAMIC 0.1U K 50V	C7851	303 438 0219	CERAMIC 0.1U K 16V
C7723	303 367 0410	CERAMIC 0.1U K 50V		303 409 3426	CERAMIC 0.1U K 16V
C7724	303 367 0410	CERAMIC 0.1U K 50V	C7852	303 438 0219	CERAMIC 0.1U K 16V
C7725	303 437 4614	CERAMIC 10U K 25V		303 409 3426	CERAMIC 0.1U K 16V
C7726	303 367 0410	CERAMIC 0.1U K 50V	C7853	303 423 8916	ELECT 220U M 16V
C7727	303 423 8916	ELECT 220U M 16V		303 381 5613	ELECT 220U M 16V
	303 381 5613	ELECT 220U M 16V		403 458 4812	ELECT 220U M 16V
	403 458 4812	ELECT 220U M 16V	C7854	303 438 0219	CERAMIC 0.1U K 16V
C7728	303 336 3510	CERAMIC 0.47U K 16V		303 409 3426	CERAMIC 0.1U K 16V
C7729	303 336 3510	CERAMIC 0.47U K 16V	C7861	303 438 0219	CERAMIC 0.1U K 16V
C7730	303 437 4614	CERAMIC 10U K 25V		303 409 3426	CERAMIC 0.1U K 16V
C7731	403 455 1012	CERAMIC 1U K 10V	C7862	303 387 7314	ELECT 47U M 25V
	303 433 1112	CERAMIC 1U K 10V		303 398 5415	ELECT 47U M 25V
C7732	303 438 0219	CERAMIC 0.1U K 16V	C7863	303 441 9810	CERAMIC 0.01U K 50V
	303 409 3426	CERAMIC 0.1U K 16V	C7864	303 441 9810	CERAMIC 0.01U K 50V
C7733	303 407 3517	ELECT 470U M 16V	C7865	303 369 3211	ELECT 100U M 16V
	403 458 5017	ELECT 470U M 16V		303 381 5316	ELECT 100U M 16V
	303 381 9918	ELECT 470U M 16V		403 458 7615	ELECT 100U M 16V
C7734	403 455 1012	CERAMIC 1U K 10V	C7871	303 438 0219	CERAMIC 0.1U K 16V
	303 433 1112	CERAMIC 1U K 10V		303 409 3426	CERAMIC 0.1U K 16V
C7736	403 455 1616	CERAMIC 10U K 16V	C7872	303 438 0219	CERAMIC 0.1U K 16V
C7792	303 438 0219	CERAMIC 0.1U K 16V		303 409 3426	CERAMIC 0.1U K 16V
	303 409 3426	CERAMIC 0.1U K 16V	C7873	303 438 0219	CERAMIC 0.1U K 16V
C7793	303 438 0219	CERAMIC 0.1U K 16V		303 409 3426	CERAMIC 0.1U K 16V
	303 409 3426	CERAMIC 0.1U K 16V	C7874	303 438 0219	CERAMIC 0.1U K 16V
C7799	303 374 7815	ELECT 100UM 25V		303 409 3426	CERAMIC 0.1U K 16V
	303 444 0111	ELECT 100U M 25V	C7876	303 423 8916	ELECT 220U M 16V
	303 376 3112	ELECT 100U M 25V		303 381 5613	ELECT 220U M 16V
C7803	303 438 0219	CERAMIC 0.1U K 16V		403 458 4812	ELECT 220U M 16V
	303 409 3426	CERAMIC 0.1U K 16V	C7877	303 423 8916	ELECT 220U M 16V

Electrical Parts List

Key No.	Part No.	Description	Key No.	Part No.	Description
	303 381 5613	ELECT 220U M 16V	C8028	303 438 0219	CERAMIC 0.1U K 16V
	403 458 4812	ELECT 220U M 16V		303 409 3426	CERAMIC 0.1U K 16V
C7881	303 438 0219	CERAMIC 0.1U K 16V	C8031	303 438 0219	CERAMIC 0.1U K 16V
	303 409 3426	CERAMIC 0.1U K 16V		303 409 3426	CERAMIC 0.1U K 16V
C7882	303 387 7314	ELECT 47U M 25V	C8032	303 438 0219	CERAMIC 0.1U K 16V
	303 398 5415	ELECT 47U M 25V		303 409 3426	CERAMIC 0.1U K 16V
C7883	303 441 9810	CERAMIC 0.01U K 50V	C8033	303 438 0219	CERAMIC 0.1U K 16V
C7884	303 441 9810	CERAMIC 0.01U K 50V		303 409 3426	CERAMIC 0.1U K 16V
C7885	303 369 3211	ELECT 100U M 16V	C8034	303 438 0219	CERAMIC 0.1U K 16V
	303 381 5316	ELECT 100U M 16V		303 409 3426	CERAMIC 0.1U K 16V
	403 458 7615	ELECT 100U M 16V	C8036	403 455 1616	CERAMIC 10U K 16V
C7886	303 438 0219	CERAMIC 0.1U K 16V	C8037	303 438 0219	CERAMIC 0.1U K 16V
	303 409 3426	CERAMIC 0.1U K 16V		303 409 3426	CERAMIC 0.1U K 16V
C7888	303 438 0219	CERAMIC 0.1U K 16V	C8038	303 438 0219	CERAMIC 0.1U K 16V
	303 409 3426	CERAMIC 0.1U K 16V		303 409 3426	CERAMIC 0.1U K 16V
C7889	303 423 8916	ELECT 220U M 16V	C8039	303 438 0219	CERAMIC 0.1U K 16V
	303 381 5613	ELECT 220U M 16V		303 409 3426	CERAMIC 0.1U K 16V
	403 458 4812	ELECT 220U M 16V	C8041	303 438 0219	CERAMIC 0.1U K 16V
C7891	303 438 0219	CERAMIC 0.1U K 16V		303 409 3426	CERAMIC 0.1U K 16V
	303 409 3426	CERAMIC 0.1U K 16V	C8042	303 438 0219	CERAMIC 0.1U K 16V
C7921	303 438 0219	CERAMIC 0.1U K 16V		303 409 3426	CERAMIC 0.1U K 16V
	303 409 3426	CERAMIC 0.1U K 16V	C8043	403 455 1616	CERAMIC 10U K 16V
C7922	303 387 7314	ELECT 47U M 25V	C8044	403 455 1616	CERAMIC 10U K 16V
	303 398 5415	ELECT 47U M 25V	C8051	403 455 1012	CERAMIC 1U K 10V
C7923	303 441 9810	CERAMIC 0.01U K 50V		303 433 1112	CERAMIC 1U K 10V
C7924	303 441 9810	CERAMIC 0.01U K 50V	C8052	403 455 1012	CERAMIC 1U K 10V
C7925	303 369 3211	ELECT 100U M 16V		303 433 1112	CERAMIC 1U K 10V
	303 381 5316	ELECT 100U M 16V	C8053	403 455 1616	CERAMIC 10U K 16V
	403 458 7615	ELECT 100U M 16V	C8061	403 455 1012	CERAMIC 1U K 10V
C7931	303 438 0219	CERAMIC 0.1U K 16V		303 433 1112	CERAMIC 1U K 10V
	303 409 3426	CERAMIC 0.1U K 16V	C8063	303 443 9214	CERAMIC 22U M 6.3V
C7932	303 438 0219	CERAMIC 0.1U K 16V		303 392 5015	CERAMIC 22U M 6.3V
	303 409 3426	CERAMIC 0.1U K 16V	C8201	303 424 7017	CERAMIC 0.047U K 25V
C7933	303 423 8916	ELECT 220U M 16V	C8202	303 424 7017	CERAMIC 0.047U K 25V
	303 381 5613	ELECT 220U M 16V	C8203	303 424 7017	CERAMIC 0.047U K 25V
	403 458 4812	ELECT 220U M 16V	C8204	303 424 7017	CERAMIC 0.047U K 25V
C7934	303 438 0219	CERAMIC 0.1U K 16V	C8206	303 424 7017	CERAMIC 0.047U K 25V
	303 409 3426	CERAMIC 0.1U K 16V	C8207	303 424 7017	CERAMIC 0.047U K 25V
C8001	303 305 8515	CERAMIC 15P J 50V	C8208	303 424 7017	CERAMIC 0.047U K 25V
C8002	303 276 2918	CERAMIC 12P J 50V	C8209	303 424 7017	CERAMIC 0.047U K 25V
C8006	403 455 1616	CERAMIC 10U K 16V	C821	303 438 0219	CERAMIC 0.1U K 16V
C8007	303 438 0219	CERAMIC 0.1U K 16V		303 409 3426	CERAMIC 0.1U K 16V
	303 409 3426	CERAMIC 0.1U K 16V	C822	303 438 0219	CERAMIC 0.1U K 16V
C8008	303 438 0219	CERAMIC 0.1U K 16V		303 409 3426	CERAMIC 0.1U K 16V
	303 409 3426	CERAMIC 0.1U K 16V	C823	303 438 0219	CERAMIC 0.1U K 16V
C8009	303 438 0219	CERAMIC 0.1U K 16V		303 409 3426	CERAMIC 0.1U K 16V
	303 409 3426	CERAMIC 0.1U K 16V	C8231	303 424 7017	CERAMIC 0.047U K 25V
C801	303 438 0219	CERAMIC 0.1U K 16V	C8232	303 424 7017	CERAMIC 0.047U K 25V
	303 409 3426	CERAMIC 0.1U K 16V	C8233	303 438 0219	CERAMIC 0.1U K 16V
C8011	403 455 1616	CERAMIC 10U K 16V		303 409 3426	CERAMIC 0.1U K 16V
C8012	303 438 0219	CERAMIC 0.1U K 16V	C8234	303 424 7017	CERAMIC 0.047U K 25V
	303 409 3426	CERAMIC 0.1U K 16V	C8236	303 424 7017	CERAMIC 0.047U K 25V
C8013	403 455 1616	CERAMIC 10U K 16V	C8237	303 424 7017	CERAMIC 0.047U K 25V
C8014	303 438 0219	CERAMIC 0.1U K 16V	C8239	303 424 7017	CERAMIC 0.047U K 25V
	303 409 3426	CERAMIC 0.1U K 16V	C824	403 455 1012	CERAMIC 1U K 10V
C8016	403 455 1616	CERAMIC 10U K 16V		303 433 1112	CERAMIC 1U K 10V
C8017	303 438 0219	CERAMIC 0.1U K 16V	C8241	303 438 0219	CERAMIC 0.1U K 16V
	303 409 3426	CERAMIC 0.1U K 16V		303 409 3426	CERAMIC 0.1U K 16V
C8018	303 438 0219	CERAMIC 0.1U K 16V	C8242	303 438 0219	CERAMIC 0.1U K 16V
	303 409 3426	CERAMIC 0.1U K 16V		303 409 3426	CERAMIC 0.1U K 16V
C802	303 439 8412	CERAMIC 2.2U M 6.3V	C8243	303 438 0219	CERAMIC 0.1U K 16V
C8021	403 455 1616	CERAMIC 10U K 16V		303 409 3426	CERAMIC 0.1U K 16V
C8022	303 438 0219	CERAMIC 0.1U K 16V	C8244	303 438 0219	CERAMIC 0.1U K 16V
	303 409 3426	CERAMIC 0.1U K 16V		303 409 3426	CERAMIC 0.1U K 16V
C8023	403 455 1616	CERAMIC 10U K 16V	C825	303 438 0219	CERAMIC 0.1U K 16V
C8024	303 438 0219	CERAMIC 0.1U K 16V		303 409 3426	CERAMIC 0.1U K 16V
	303 409 3426	CERAMIC 0.1U K 16V	C826	303 438 0219	CERAMIC 0.1U K 16V

Electrical Parts List

Key No.	Part No.	Description	Key No.	Part No.	Description
	303 409 3426	CERAMIC 0.1U K 16V	R1319	301 225 0213	MT-GLAZE 3.3K JA 1/16W
C8261	303 424 7017	CERAMIC 0.047U K 25V	R1321	301 338 1015	MT-GLAZE 49.9 DA 1/16W
C8262	303 424 7017	CERAMIC 0.047U K 25V	R1322	301 338 1015	MT-GLAZE 49.9 DA 1/16W
C8263	303 438 0219	CERAMIC 0.1U K 16V	R1332	301 225 1210	MT-GLAZE 4.7K JA 1/16W
	303 409 3426	CERAMIC 0.1U K 16V	R1333	301 225 0213	MT-GLAZE 3.3K JA 1/16W
C8264	303 424 7017	CERAMIC 0.047U K 25V	R1334	301 225 0213	MT-GLAZE 3.3K JA 1/16W
C8266	303 424 7017	CERAMIC 0.047U K 25V	R1335	301 225 1210	MT-GLAZE 4.7K JA 1/16W
C8267	303 424 7017	CERAMIC 0.047U K 25V	R1336	301 224 9316	MT-GLAZE 1K JA 1/16W
C8268	303 438 0219	CERAMIC 0.1U K 16V	R1337	301 224 9019	MT-GLAZE 10K JA 1/16W
	303 409 3426	CERAMIC 0.1U K 16V	R1341	301 226 1516	MT-GLAZE 0.000 ZA 1/16W
C8269	303 424 7017	CERAMIC 0.047U K 25V	R1343	301 226 1516	MT-GLAZE 0.000 ZA 1/16W
C8291	403 455 1012	CERAMIC 1U K 10V	R1344	301 224 8913	MT-GLAZE 100K JA 1/16W
	303 433 1112	CERAMIC 1U K 10V	R1345	301 224 9316	MT-GLAZE 1K JA 1/16W
C8292	303 438 0219	CERAMIC 0.1U K 16V	R1346	301 224 9316	MT-GLAZE 1K JA 1/16W
	303 409 3426	CERAMIC 0.1U K 16V	R1347	301 224 9316	MT-GLAZE 1K JA 1/16W
C8293	303 438 0219	CERAMIC 0.1U K 16V	R1348	301 224 9316	MT-GLAZE 1K JA 1/16W
	303 409 3426	CERAMIC 0.1U K 16V	R1349	301 224 9316	MT-GLAZE 1K JA 1/16W
C8294	303 438 0219	CERAMIC 0.1U K 16V	R1350	301 294 2910	MT-GLAZE 560 FA 1/16W
	303 409 3426	CERAMIC 0.1U K 16V	R1351	301 224 9415	MT-GLAZE 1M JA 1/16W
C8295	303 438 0219	CERAMIC 0.1U K 16V	R1354	301 226 1516	MT-GLAZE 0.000 ZA 1/16W
	303 409 3426	CERAMIC 0.1U K 16V	R1355	301 226 1516	MT-GLAZE 0.000 ZA 1/16W
C8296	403 455 1012	CERAMIC 1U K 10V	R1357	301 224 9316	MT-GLAZE 1K JA 1/16W
	303 433 1112	CERAMIC 1U K 10V	R1358	301 226 1516	MT-GLAZE 0.000 ZA 1/16W
C844	303 438 0219	CERAMIC 0.1U K 16V	R1359	301 225 3818	MT-GLAZE 1.5K JA 1/16W
	303 409 3426	CERAMIC 0.1U K 16V	R1361	301 225 1210	MT-GLAZE 4.7K JA 1/16W
C851	303 282 5118	CERAMIC 470P K 50V	R1362	301 225 0213	MT-GLAZE 3.3K JA 1/16W
C852	303 282 5118	CERAMIC 470P K 50V	R1363	301 225 1210	MT-GLAZE 4.7K JA 1/16W
C853	303 282 5118	CERAMIC 470P K 50V	R1364	301 225 0213	MT-GLAZE 3.3K JA 1/16W
C854	303 282 5118	CERAMIC 470P K 50V	R1366	301 225 1210	MT-GLAZE 4.7K JA 1/16W
C855	303 282 5118	CERAMIC 470P K 50V	R1367	301 225 0213	MT-GLAZE 3.3K JA 1/16W
C856	303 282 5118	CERAMIC 470P K 50V	R1368	301 225 1210	MT-GLAZE 4.7K JA 1/16W
C857	303 282 5118	CERAMIC 470P K 50V	R1369	301 225 0213	MT-GLAZE 3.3K JA 1/16W
			R1370	301 226 1516	MT-GLAZE 0.000 ZA 1/16W
			R1372	301 226 1516	MT-GLAZE 0.000 ZA 1/16W
			R1373	301 226 1516	MT-GLAZE 0.000 ZA 1/16W
			R1376	301 226 1516	MT-GLAZE 0.000 ZA 1/16W
			R1378	301 226 1516	MT-GLAZE 0.000 ZA 1/16W
			R1385	301 224 9019	MT-GLAZE 10K JA 1/16W
			R1386	301 224 9019	MT-GLAZE 10K JA 1/16W
			R1387	301 225 0213	MT-GLAZE 3.3K JA 1/16W
			R1388	301 225 0213	MT-GLAZE 3.3K JA 1/16W
			R1389	301 226 1516	MT-GLAZE 0.000 ZA 1/16W
			R1392	301 226 1516	MT-GLAZE 0.000 ZA 1/16W
			R1393	301 284 3326	MT-GLAZE 3K FA 1/16W
			R1394	301 299 5312	MT-GLAZE 12K FA 1/16W
			R1395	301 294 3016	MT-GLAZE 10K FA 1/16W
			R1396	301 226 1516	MT-GLAZE 0.000 ZA 1/16W
			R1398	301 224 9019	MT-GLAZE 10K JA 1/16W
			R1399	301 224 9019	MT-GLAZE 10K JA 1/16W
			R1401	301 294 3016	MT-GLAZE 10K FA 1/16W
			R1402	301 294 3016	MT-GLAZE 10K FA 1/16W
			R1403	301 302 5414	MT-GLAZE 220 FA 1/16W
			R1404	301 294 3016	MT-GLAZE 10K FA 1/16W
			R1406	301 294 3016	MT-GLAZE 10K FA 1/16W
			R1407	301 302 5414	MT-GLAZE 220 FA 1/16W
			R1408	301 294 3016	MT-GLAZE 10K FA 1/16W
			R1409	301 294 3016	MT-GLAZE 10K FA 1/16W
			R1413	301 294 3016	MT-GLAZE 10K FA 1/16W
			R1414	301 294 3016	MT-GLAZE 10K FA 1/16W
			R1421	301 294 3016	MT-GLAZE 10K FA 1/16W
			R1422	301 294 3016	MT-GLAZE 10K FA 1/16W
			R1428	301 294 3016	MT-GLAZE 10K FA 1/16W
			R1429	301 294 3016	MT-GLAZE 10K FA 1/16W
			R1436	301 226 1516	MT-GLAZE 0.000 ZA 1/16W
			R1437	301 294 3016	MT-GLAZE 10K FA 1/16W
			R1438	301 226 1516	MT-GLAZE 0.000 ZA 1/16W
			R1444	301 226 1516	MT-GLAZE 0.000 ZA 1/16W
RESISTOR					
R1001	301 225 8110	MT-GLAZE 10 JA 1/16W			
R1002	301 225 8110	MT-GLAZE 10 JA 1/16W			
R1003	301 225 8110	MT-GLAZE 10 JA 1/16W			
R1004	301 225 8110	MT-GLAZE 10 JA 1/16W			
R1006	301 225 8110	MT-GLAZE 10 JA 1/16W			
R1007	301 225 8110	MT-GLAZE 10 JA 1/16W			
R1008	301 225 8110	MT-GLAZE 10 JA 1/16W			
R1009	301 225 8110	MT-GLAZE 10 JA 1/16W			
R1014	301 226 1516	MT-GLAZE 0.000 ZA 1/16W			
R1017	301 294 3214	MT-GLAZE 47K FA 1/16W			
R1018	301 294 3214	MT-GLAZE 47K FA 1/16W			
R1238	301 226 5415	MT-GLAZE 56 JA 1/16W			
R1239	301 226 5415	MT-GLAZE 56 JA 1/16W			
R1241	301 226 5415	MT-GLAZE 56 JA 1/16W			
R1242	301 226 1516	MT-GLAZE 0.000 ZA 1/16W			
R1243	301 224 9019	MT-GLAZE 10K JA 1/16W			
R1244	301 224 9019	MT-GLAZE 10K JA 1/16W			
R1246	301 224 9019	MT-GLAZE 10K JA 1/16W			
R1247	301 224 9019	MT-GLAZE 10K JA 1/16W			
R1301	301 226 1516	MT-GLAZE 0.000 ZA 1/16W			
R1302	301 226 1516	MT-GLAZE 0.000 ZA 1/16W			
R1303	301 226 1516	MT-GLAZE 0.000 ZA 1/16W			
R1305	301 226 1516	MT-GLAZE 0.000 ZA 1/16W			
R1306	301 224 9316	MT-GLAZE 1K JA 1/16W			
R1307	301 226 1516	MT-GLAZE 0.000 ZA 1/16W			
R1308	301 225 8110	MT-GLAZE 10 JA 1/16W			
R1309	301 225 0213	MT-GLAZE 3.3K JA 1/16W			
R1310	301 226 1516	MT-GLAZE 0.000 ZA 1/16W			
R1311	301 294 3115	MT-GLAZE 1K FA 1/16W			
R1312	301 294 3115	MT-GLAZE 1K FA 1/16W			
R1315	301 226 1516	MT-GLAZE 0.000 ZA 1/16W			
R1316	301 229 3913	MT-GLAZE 180 JA 1/16W			
R1318	301 225 0213	MT-GLAZE 3.3K JA 1/16W			

Electrical Parts List

Key No.	Part No.	Description	Key No.	Part No.	Description
R1446	301 226 1516	MT-GLAZE 0.000 ZA 1/16W	R1802	301 294 2910	MT-GLAZE 560 FA 1/16W
R1451	301 225 8110	MT-GLAZE 10 JA 1/16W	R1803	301 303 4010	MT-GLAZE 1.2K DA 1/16W
R1456	301 225 8110	MT-GLAZE 10 JA 1/16W	R1804	301 294 3115	MT-GLAZE 1K FA 1/16W
R1457	301 225 0213	MT-GLAZE 3.3K JA 1/16W	R1808	401 361 3618	MT-GLAZE 3.3M FA 1/16W
R1458	301 225 0213	MT-GLAZE 3.3K JA 1/16W	R1811	301 294 3214	MT-GLAZE 47K FA 1/16W
R1459	301 224 9316	MT-GLAZE 1K JA 1/16W	R1812	301 299 5114	MT-GLAZE 6.2K FA 1/16W
R1461	301 224 9316	MT-GLAZE 1K JA 1/16W	R1813	301 294 3214	MT-GLAZE 47K FA 1/16W
R1462	301 264 4616	MT-GLAZE 180 FA 1/10W	R1814	301 299 5114	MT-GLAZE 6.2K FA 1/16W
R1463	301 264 4616	MT-GLAZE 180 FA 1/10W	R1815	401 361 3618	MT-GLAZE 3.3M FA 1/16W
R1464	301 225 0213	MT-GLAZE 3.3K JA 1/16W	R1817	301 224 9019	MT-GLAZE 10K JA 1/16W
R1466	301 225 0213	MT-GLAZE 3.3K JA 1/16W	R1825	301 226 1516	MT-GLAZE 0.000 ZA 1/16W
R1467	301 225 0213	MT-GLAZE 3.3K JA 1/16W	R1826	301 226 1516	MT-GLAZE 0.000 ZA 1/16W
R1468	301 225 0213	MT-GLAZE 3.3K JA 1/16W	R1829	301 226 1516	MT-GLAZE 0.000 ZA 1/16W
R1471	301 294 3016	MT-GLAZE 10K FA 1/16W	R1830	301 226 1516	MT-GLAZE 0.000 ZA 1/16W
R1472	301 298 5412	MT-GLAZE 39K FA 1/16W	R1836	301 226 1516	MT-GLAZE 0.000 ZA 1/16W
R1473	301 294 3016	MT-GLAZE 10K FA 1/16W	R1840	301 294 2811	MT-GLAZE 2.2K FA 1/16W
R1474	301 298 5412	MT-GLAZE 39K FA 1/16W	R1844	301 226 1516	MT-GLAZE 0.000 ZA 1/16W
R1476	301 294 3016	MT-GLAZE 10K FA 1/16W	R1846	301 226 1516	MT-GLAZE 0.000 ZA 1/16W
R1477	301 298 5412	MT-GLAZE 39K FA 1/16W	R1848	301 224 9019	MT-GLAZE 10K JA 1/16W
R1478	301 294 3016	MT-GLAZE 10K FA 1/16W	R1851	301 272 7814	MT-GLAZE 100 FA 1/16W
R1479	301 298 5412	MT-GLAZE 39K FA 1/16W	R1852	301 226 1516	MT-GLAZE 0.000 ZA 1/16W
R1481	301 302 5414	MT-GLAZE 220 FA 1/16W	R1854	301 226 1516	MT-GLAZE 0.000 ZA 1/16W
R1482	301 302 5414	MT-GLAZE 220 FA 1/16W	R1856	301 226 1516	MT-GLAZE 0.000 ZA 1/16W
R1483	301 302 5414	MT-GLAZE 220 FA 1/16W	R1857	301 226 1516	MT-GLAZE 0.000 ZA 1/16W
R1484	301 302 5414	MT-GLAZE 220 FA 1/16W	R1862	301 224 9019	MT-GLAZE 10K JA 1/16W
R1501	301 226 1516	MT-GLAZE 0.000 ZA 1/16W	R1863	301 224 9019	MT-GLAZE 10K JA 1/16W
R1502	301 226 1516	MT-GLAZE 0.000 ZA 1/16W	R1866	301 272 7814	MT-GLAZE 100 FA 1/16W
R1504	301 225 8110	MT-GLAZE 10 JA 1/16W	R1870	301 226 1516	MT-GLAZE 0.000 ZA 1/16W
R1506	301 225 8110	MT-GLAZE 10 JA 1/16W	R1871	301 226 1516	MT-GLAZE 0.000 ZA 1/16W
R1509	301 225 8110	MT-GLAZE 10 JA 1/16W	R1872	301 226 1516	MT-GLAZE 0.000 ZA 1/16W
R1511	301 226 1516	MT-GLAZE 0.000 ZA 1/16W	R1874	301 226 1516	MT-GLAZE 0.000 ZA 1/16W
R1512	301 225 8110	MT-GLAZE 10 JA 1/16W	R1875	301 226 1516	MT-GLAZE 0.000 ZA 1/16W
R1513	301 226 1516	MT-GLAZE 0.000 ZA 1/16W	R1879	301 298 5511	MT-GLAZE 8.2K FA 1/16W
R1514	301 224 9316	MT-GLAZE 1K JA 1/16W	R1880	301 226 1516	MT-GLAZE 0.000 ZA 1/16W
R1515	301 150 6014	MT-GLAZE 0.000 ZA 1/10W	R1881	301 225 8110	MT-GLAZE 10 JA 1/16W
R1516	301 226 1516	MT-GLAZE 0.000 ZA 1/16W	R1882	301 298 5511	MT-GLAZE 8.2K FA 1/16W
R1517	301 225 8110	MT-GLAZE 10 JA 1/16W	R1883	301 226 1516	MT-GLAZE 0.000 ZA 1/16W
R1518	301 226 1516	MT-GLAZE 0.000 ZA 1/16W	R1884	301 225 0213	MT-GLAZE 3.3K JA 1/16W
R1519	301 226 1516	MT-GLAZE 0.000 ZA 1/16W	R1886	301 224 9019	MT-GLAZE 10K JA 1/16W
R1521	301 226 1516	MT-GLAZE 0.000 ZA 1/16W	R1887	301 225 0213	MT-GLAZE 3.3K JA 1/16W
R1522	301 226 1516	MT-GLAZE 0.000 ZA 1/16W	R1889	301 226 1516	MT-GLAZE 0.000 ZA 1/16W
R1523	301 224 9316	MT-GLAZE 1K JA 1/16W	R1891	301 226 1516	MT-GLAZE 0.000 ZA 1/16W
R1524	301 226 1516	MT-GLAZE 0.000 ZA 1/16W	R206	301 224 9712	MT-GLAZE 22 JA 1/16W
R1525	301 150 6014	MT-GLAZE 0.000 ZA 1/10W	R207	301 224 9712	MT-GLAZE 22 JA 1/16W
R1526	301 226 1516	MT-GLAZE 0.000 ZA 1/16W	R208	301 224 9712	MT-GLAZE 22 JA 1/16W
R1527	301 224 9316	MT-GLAZE 1K JA 1/16W	R211	301 226 1516	MT-GLAZE 0.000 ZA 1/16W
R1528	301 259 2115	MT-GLAZE 1 JA 1/16W	R212	301 226 1516	MT-GLAZE 0.000 ZA 1/16W
R1529	301 259 2115	MT-GLAZE 1 JA 1/16W	R213	301 226 1516	MT-GLAZE 0.000 ZA 1/16W
R1551	301 226 1516	MT-GLAZE 0.000 ZA 1/16W	R221	301 226 1516	MT-GLAZE 0.000 ZA 1/16W
R1552	301 226 1516	MT-GLAZE 0.000 ZA 1/16W	R2211	301 225 1319	MT-GLAZE 470 JA 1/16W
R1553	301 225 8110	MT-GLAZE 10 JA 1/16W	R2212	301 225 8110	MT-GLAZE 10 JA 1/16W
R1556	301 225 8110	MT-GLAZE 10 JA 1/16W	R2213	301 225 8110	MT-GLAZE 10 JA 1/16W
R1557	301 225 8110	MT-GLAZE 10 JA 1/16W	R2214	301 225 8110	MT-GLAZE 10 JA 1/16W
R1559	301 225 8110	MT-GLAZE 10 JA 1/16W	R2215	301 225 8110	MT-GLAZE 10 JA 1/16W
R1561	301 226 1516	MT-GLAZE 0.000 ZA 1/16W	R2216	301 225 8110	MT-GLAZE 10 JA 1/16W
R1562	301 226 1516	MT-GLAZE 0.000 ZA 1/16W	R2217	301 225 8110	MT-GLAZE 10 JA 1/16W
R1563	301 226 1516	MT-GLAZE 0.000 ZA 1/16W	R222	301 226 1516	MT-GLAZE 0.000 ZA 1/16W
R1566	301 226 1516	MT-GLAZE 0.000 ZA 1/16W	R2222	301 225 1210	MT-GLAZE 4.7K JA 1/16W
R1567	301 226 1516	MT-GLAZE 0.000 ZA 1/16W	R2223	301 294 3214	MT-GLAZE 47K FA 1/16W
R1569	301 226 1516	MT-GLAZE 0.000 ZA 1/16W	R2227	301 226 1516	MT-GLAZE 0.000 ZA 1/16W
R1571	301 226 1516	MT-GLAZE 0.000 ZA 1/16W	R2228	301 226 1516	MT-GLAZE 0.000 ZA 1/16W
R1572	301 226 1516	MT-GLAZE 0.000 ZA 1/16W	R223	301 226 1516	MT-GLAZE 0.000 ZA 1/16W
R1581	301 294 3016	MT-GLAZE 10K FA 1/16W	R2231	301 224 9712	MT-GLAZE 22 JA 1/16W
R1582	301 299 4810	MT-GLAZE 2.7K FA 1/16W	R2232	301 226 1516	MT-GLAZE 0.000 ZA 1/16W
R1583	301 294 3016	MT-GLAZE 10K FA 1/16W	R2234	301 226 1516	MT-GLAZE 0.000 ZA 1/16W
R1584	301 298 5412	MT-GLAZE 39K FA 1/16W	R2235	301 226 1516	MT-GLAZE 0.000 ZA 1/16W
R1801	301 298 5818	MT-GLAZE 9.1K FA 1/16W	R2236	301 226 1516	MT-GLAZE 0.000 ZA 1/16W

Electrical Parts List

Key No.	Part No.	Description	Key No.	Part No.	Description
R2253	301 226 1516	MT-GLAZE 0.000 ZA 1/16W	R2381	301 224 9019	MT-GLAZE 10K JA 1/16W
R2254	301 225 8011	MT-GLAZE 330 JA 1/16W	R2383	301 298 5412	MT-GLAZE 39K FA 1/16W
R2256	301 298 5511	MT-GLAZE 8.2K FA 1/16W	R2384	301 229 3913	MT-GLAZE 180 JA 1/16W
R2257	301 259 7922	MT-GLAZE 5.1K JA 1/16W	R2386	301 259 7922	MT-GLAZE 5.1K JA 1/16W
R2258	301 294 3016	MT-GLAZE 10K FA 1/16W	R2387	301 259 7922	MT-GLAZE 5.1K JA 1/16W
R2259	301 298 5412	MT-GLAZE 39K FA 1/16W	R2391	301 037 5017	MT-GLAZE 0.000 ZA 1/10W
R226	301 224 9712	MT-GLAZE 22 JA 1/16W	R2393	301 294 3115	MT-GLAZE 1K FA 1/16W
R2262	301 224 9019	MT-GLAZE 10K JA 1/16W	R2394	301 287 2227	MT-GLAZE 22K FA 1/16W
R2263	301 229 3913	MT-GLAZE 180 JA 1/16W	R2396	301 294 3016	MT-GLAZE 10K FA 1/16W
R2264	301 294 2811	MT-GLAZE 2.2K FA 1/16W	R240	301 224 9712	MT-GLAZE 22 JA 1/16W
R2266	301 259 7922	MT-GLAZE 5.1K JA 1/16W	R2400	301 226 1516	MT-GLAZE 0.000 ZA 1/16W
R2267	301 294 3016	MT-GLAZE 10K FA 1/16W	R2401	301 224 9712	MT-GLAZE 22 JA 1/16W
R2268	301 298 5412	MT-GLAZE 39K FA 1/16W	R2402	301 224 9712	MT-GLAZE 22 JA 1/16W
R227	301 224 9712	MT-GLAZE 22 JA 1/16W	R2405	301 224 9712	MT-GLAZE 22 JA 1/16W
R228	301 224 9712	MT-GLAZE 22 JA 1/16W	R2406	301 224 9712	MT-GLAZE 22 JA 1/16W
R2302	301 224 9019	MT-GLAZE 10K JA 1/16W	R2409	301 224 9712	MT-GLAZE 22 JA 1/16W
R2303	301 224 9019	MT-GLAZE 10K JA 1/16W	R2410	301 224 9019	MT-GLAZE 10K JA 1/16W
R2309	301 224 9019	MT-GLAZE 10K JA 1/16W	R2411	301 224 9712	MT-GLAZE 22 JA 1/16W
R231	301 226 1516	MT-GLAZE 0.000 ZA 1/16W	R246	301 224 9712	MT-GLAZE 22 JA 1/16W
R2311	301 224 9019	MT-GLAZE 10K JA 1/16W	R2501	301 226 1516	MT-GLAZE 0.000 ZA 1/16W
R2313	301 224 9019	MT-GLAZE 10K JA 1/16W	R2502	301 226 1516	MT-GLAZE 0.000 ZA 1/16W
R2319	301 224 9019	MT-GLAZE 10K JA 1/16W	R2504	301 225 8110	MT-GLAZE 10 JA 1/16W
R232	301 226 1516	MT-GLAZE 0.000 ZA 1/16W	R2506	301 225 8110	MT-GLAZE 10 JA 1/16W
R2322	301 224 9019	MT-GLAZE 10K JA 1/16W	R2507	301 225 8110	MT-GLAZE 10 JA 1/16W
R2324	301 224 9019	MT-GLAZE 10K JA 1/16W	R2509	301 225 8110	MT-GLAZE 10 JA 1/16W
R2326	301 224 9019	MT-GLAZE 10K JA 1/16W	R2511	301 226 1516	MT-GLAZE 0.000 ZA 1/16W
R2327	301 224 9019	MT-GLAZE 10K JA 1/16W	R2512	301 225 8110	MT-GLAZE 10 JA 1/16W
R233	301 226 1516	MT-GLAZE 0.000 ZA 1/16W	R2513	301 226 1516	MT-GLAZE 0.000 ZA 1/16W
R2331	301 226 1516	MT-GLAZE 0.000 ZA 1/16W	R2514	301 224 9316	MT-GLAZE 1K JA 1/16W
R2332	301 226 1516	MT-GLAZE 0.000 ZA 1/16W	R2515	301 150 6014	MT-GLAZE 0.000 ZA 1/10W
R2333	301 224 9712	MT-GLAZE 22 JA 1/16W	R2516	301 226 1516	MT-GLAZE 0.000 ZA 1/16W
R2334	301 224 9712	MT-GLAZE 22 JA 1/16W	R2517	301 225 8110	MT-GLAZE 10 JA 1/16W
R2335	301 298 5511	MT-GLAZE 8.2K FA 1/16W	R2518	301 226 1516	MT-GLAZE 0.000 ZA 1/16W
R2336	301 224 9415	MT-GLAZE 1M JA 1/16W	R2519	301 226 1516	MT-GLAZE 0.000 ZA 1/16W
R2337	301 224 9019	MT-GLAZE 10K JA 1/16W	R2521	301 226 1516	MT-GLAZE 0.000 ZA 1/16W
R2338	301 272 7814	MT-GLAZE 100 FA 1/16W	R2522	301 226 1516	MT-GLAZE 0.000 ZA 1/16W
R2339	301 224 9712	MT-GLAZE 22 JA 1/16W	R2523	301 224 9316	MT-GLAZE 1K JA 1/16W
R2341	301 224 9712	MT-GLAZE 22 JA 1/16W	R2524	301 226 1516	MT-GLAZE 0.000 ZA 1/16W
R2342	301 224 9712	MT-GLAZE 22 JA 1/16W	R2525	301 150 6014	MT-GLAZE 0.000 ZA 1/10W
R2343	301 224 9712	MT-GLAZE 22 JA 1/16W	R2526	301 226 1516	MT-GLAZE 0.000 ZA 1/16W
R2344	301 224 9712	MT-GLAZE 22 JA 1/16W	R2527	301 224 9316	MT-GLAZE 1K JA 1/16W
R2345	301 224 9712	MT-GLAZE 22 JA 1/16W	R2528	301 259 2115	MT-GLAZE 1 JA 1/16W
R2346	301 225 1814	MT-GLAZE 47 JA 1/16W	R2529	301 259 2115	MT-GLAZE 1 JA 1/16W
R2348	301 224 9712	MT-GLAZE 22 JA 1/16W	R2551	301 226 1516	MT-GLAZE 0.000 ZA 1/16W
R2349	301 225 1814	MT-GLAZE 47 JA 1/16W	R2552	301 226 1516	MT-GLAZE 0.000 ZA 1/16W
R2350	301 294 3016	MT-GLAZE 10K FA 1/16W	R2553	301 225 8110	MT-GLAZE 10 JA 1/16W
R2351	301 298 5412	MT-GLAZE 39K FA 1/16W	R2557	301 225 8110	MT-GLAZE 10 JA 1/16W
R2353	301 224 9019	MT-GLAZE 10K JA 1/16W	R2559	301 225 8110	MT-GLAZE 10 JA 1/16W
R2356	301 224 9019	MT-GLAZE 10K JA 1/16W	R2561	301 226 1516	MT-GLAZE 0.000 ZA 1/16W
R2357	301 224 9019	MT-GLAZE 10K JA 1/16W	R2562	301 226 1516	MT-GLAZE 0.000 ZA 1/16W
R2359	301 224 9019	MT-GLAZE 10K JA 1/16W	R2563	301 226 1516	MT-GLAZE 0.000 ZA 1/16W
R236	301 224 9712	MT-GLAZE 22 JA 1/16W	R2566	301 226 1516	MT-GLAZE 0.000 ZA 1/16W
R2362	301 224 9019	MT-GLAZE 10K JA 1/16W	R2567	301 226 1516	MT-GLAZE 0.000 ZA 1/16W
R2365	301 224 9316	MT-GLAZE 1K JA 1/16W	R2569	301 226 1516	MT-GLAZE 0.000 ZA 1/16W
R2369	301 259 7823	MT-GLAZE 20K JA 1/16W	R2571	301 226 1516	MT-GLAZE 0.000 ZA 1/16W
R237	301 224 9712	MT-GLAZE 22 JA 1/16W	R2572	301 226 1516	MT-GLAZE 0.000 ZA 1/16W
R2370	301 294 3016	MT-GLAZE 10K FA 1/16W	R258	301 225 1814	MT-GLAZE 47 JA 1/16W
R2371	301 298 5412	MT-GLAZE 39K FA 1/16W	R2581	301 294 3016	MT-GLAZE 10K FA 1/16W
R2373	301 301 3718	MT-GLAZE 2K FA 1/16W	R2582	301 299 4810	MT-GLAZE 2.7K FA 1/16W
R2374	301 301 3718	MT-GLAZE 2K FA 1/16W	R2583	301 294 3016	MT-GLAZE 10K FA 1/16W
R2375	301 298 5818	MT-GLAZE 9.1K FA 1/16W	R2584	301 298 5412	MT-GLAZE 39K FA 1/16W
R2376	301 301 8218	MT-GLAZE 680 FA 1/16W	R259	301 225 3818	MT-GLAZE 1.5K JA 1/16W
R2377	301 294 3016	MT-GLAZE 10K FA 1/16W	R261	301 226 1516	MT-GLAZE 0.000 ZA 1/16W
R2378	301 294 3115	MT-GLAZE 1K FA 1/16W	R262	301 272 7814	MT-GLAZE 100 FA 1/16W
R2379	301 294 3115	MT-GLAZE 1K FA 1/16W	R263	301 226 1516	MT-GLAZE 0.000 ZA 1/16W
R238	301 224 9712	MT-GLAZE 22 JA 1/16W	R264	301 272 7814	MT-GLAZE 100 FA 1/16W
R2380	301 294 3016	MT-GLAZE 10K FA 1/16W	R265	301 226 1516	MT-GLAZE 0.000 ZA 1/16W

Electrical Parts List

Key No.	Part No.	Description	Key No.	Part No.	Description
R266	301 225 1814	MT-GLAZE 47 JA 1/16W	R3432	301 224 9316	MT-GLAZE 1K JA 1/16W
R267	301 226 1516	MT-GLAZE 0.000 ZA 1/16W	R3433	301 224 9316	MT-GLAZE 1K JA 1/16W
R268	301 225 1814	MT-GLAZE 47 JA 1/16W	R3434	301 226 1516	MT-GLAZE 0.000 ZA 1/16W
R271	301 226 1516	MT-GLAZE 0.000 ZA 1/16W	R3435	301 224 9019	MT-GLAZE 10K JA 1/16W
R272	301 272 7814	MT-GLAZE 100 FA 1/16W	R3436	301 225 1814	MT-GLAZE 47 JA 1/16W
R273	301 226 1516	MT-GLAZE 0.000 ZA 1/16W	R3437	301 226 1516	MT-GLAZE 0.000 ZA 1/16W
R274	301 272 7814	MT-GLAZE 100 FA 1/16W	R3438	301 225 1814	MT-GLAZE 47 JA 1/16W
R275	301 226 1516	MT-GLAZE 0.000 ZA 1/16W	R3439	301 225 1913	MT-GLAZE 68 JA 1/16W
R311	301 263 7420	MT-GLAZE 75 JA 1/16W	R3440	301 225 1913	MT-GLAZE 68 JA 1/16W
R312	301 263 7420	MT-GLAZE 75 JA 1/16W	R3441	301 224 9316	MT-GLAZE 1K JA 1/16W
R313	301 263 7420	MT-GLAZE 75 JA 1/16W	R3442	301 272 7814	MT-GLAZE 100 FA 1/16W
R314	401 342 7314	MT-GLAZE 23.2K FA 1/16W	R3443	301 272 7814	MT-GLAZE 100 FA 1/16W
R316	301 224 9019	MT-GLAZE 10K JA 1/16W	R3444	301 224 9019	MT-GLAZE 10K JA 1/16W
R317	301 224 9019	MT-GLAZE 10K JA 1/16W	R3445	301 226 1516	MT-GLAZE 0.000 ZA 1/16W
R318	301 298 5511	MT-GLAZE 8.2K FA 1/16W	R3446	301 224 9019	MT-GLAZE 10K JA 1/16W
R320	301 263 7420	MT-GLAZE 75 JA 1/16W	R3447	301 224 9019	MT-GLAZE 10K JA 1/16W
R321	301 224 9712	MT-GLAZE 22 JA 1/16W	R3448	301 225 0213	MT-GLAZE 3.3K JA 1/16W
R322	301 224 9712	MT-GLAZE 22 JA 1/16W	R3449	301 272 7814	MT-GLAZE 100 FA 1/16W
R323	301 225 0312	MT-GLAZE 33 JA 1/16W	R345	301 224 9019	MT-GLAZE 10K JA 1/16W
R324	301 294 4518	MT-GLAZE 18K FA 1/16W	R3450	301 225 1814	MT-GLAZE 47 JA 1/16W
R325	301 263 7420	MT-GLAZE 75 JA 1/16W	R3452	301 225 8813	MT-GLAZE 39 JA 1/16W
R326	301 225 1814	MT-GLAZE 47 JA 1/16W	R3454	301 225 1814	MT-GLAZE 47 JA 1/16W
R327	301 225 1814	MT-GLAZE 47 JA 1/16W	R3455	301 225 1814	MT-GLAZE 47 JA 1/16W
R328	301 224 9712	MT-GLAZE 22 JA 1/16W	R3456	301 225 1814	MT-GLAZE 47 JA 1/16W
R329	301 225 1814	MT-GLAZE 47 JA 1/16W	R3457	301 225 1814	MT-GLAZE 47 JA 1/16W
R331	301 225 1814	MT-GLAZE 47 JA 1/16W	R3458	301 225 1814	MT-GLAZE 47 JA 1/16W
R332	301 225 1814	MT-GLAZE 47 JA 1/16W	R3459	301 272 7814	MT-GLAZE 100 FA 1/16W
R333	301 225 1814	MT-GLAZE 47 JA 1/16W	R346	301 224 9712	MT-GLAZE 22 JA 1/16W
R334	301 225 1814	MT-GLAZE 47 JA 1/16W	R3460	301 224 9316	MT-GLAZE 1K JA 1/16W
R335	301 224 9019	MT-GLAZE 10K JA 1/16W	R3461	301 224 9316	MT-GLAZE 1K JA 1/16W
R336	301 225 1814	MT-GLAZE 47 JA 1/16W	R3462	301 224 9316	MT-GLAZE 1K JA 1/16W
R337	301 225 1814	MT-GLAZE 47 JA 1/16W	R3463	301 224 9316	MT-GLAZE 1K JA 1/16W
R338	301 226 1516	MT-GLAZE 0.000 ZA 1/16W	R3464	301 225 1814	MT-GLAZE 47 JA 1/16W
R339	301 226 1516	MT-GLAZE 0.000 ZA 1/16W	R3465	301 225 1814	MT-GLAZE 47 JA 1/16W
R3401	301 224 9316	MT-GLAZE 1K JA 1/16W	R3466	301 224 9712	MT-GLAZE 22 JA 1/16W
R3402	301 224 9316	MT-GLAZE 1K JA 1/16W	R3467	301 224 9712	MT-GLAZE 22 JA 1/16W
R3403	301 224 9316	MT-GLAZE 1K JA 1/16W	R3468	301 224 9712	MT-GLAZE 22 JA 1/16W
R3404	301 225 1814	MT-GLAZE 47 JA 1/16W	R3469	301 225 1913	MT-GLAZE 68 JA 1/16W
R3405	301 225 1814	MT-GLAZE 47 JA 1/16W	R347	301 224 9019	MT-GLAZE 10K JA 1/16W
R3406	301 224 9316	MT-GLAZE 1K JA 1/16W	R3470	301 225 1814	MT-GLAZE 47 JA 1/16W
R3407	301 225 1814	MT-GLAZE 47 JA 1/16W	R3471	301 225 1913	MT-GLAZE 68 JA 1/16W
R3408	301 224 9316	MT-GLAZE 1K JA 1/16W	R3472	301 224 9316	MT-GLAZE 1K JA 1/16W
R3409	301 224 9019	MT-GLAZE 10K JA 1/16W	R3473	301 225 0213	MT-GLAZE 3.3K JA 1/16W
R341	301 224 9019	MT-GLAZE 10K JA 1/16W	R3474	301 225 0213	MT-GLAZE 3.3K JA 1/16W
R3410	301 224 9316	MT-GLAZE 1K JA 1/16W	R3475	301 224 9019	MT-GLAZE 10K JA 1/16W
R3411	301 225 1814	MT-GLAZE 47 JA 1/16W	R3476	301 225 1814	MT-GLAZE 47 JA 1/16W
R3412	301 224 9316	MT-GLAZE 1K JA 1/16W	R3477	301 225 1814	MT-GLAZE 47 JA 1/16W
R3413	301 224 9316	MT-GLAZE 1K JA 1/16W	R3478	301 225 1814	MT-GLAZE 47 JA 1/16W
R3414	301 225 1814	MT-GLAZE 47 JA 1/16W	R3479	301 225 1814	MT-GLAZE 47 JA 1/16W
R3415	301 224 9316	MT-GLAZE 1K JA 1/16W	R348	301 224 9019	MT-GLAZE 10K JA 1/16W
R3416	301 224 9316	MT-GLAZE 1K JA 1/16W	R3480	301 225 0312	MT-GLAZE 33 JA 1/16W
R3417	301 224 9316	MT-GLAZE 1K JA 1/16W	R3481	301 224 9316	MT-GLAZE 1K JA 1/16W
R3418	301 225 1814	MT-GLAZE 47 JA 1/16W	R3482	301 224 9316	MT-GLAZE 1K JA 1/16W
R3419	301 224 9316	MT-GLAZE 1K JA 1/16W	R3483	301 224 9316	MT-GLAZE 1K JA 1/16W
R3420	301 225 1913	MT-GLAZE 68 JA 1/16W	R3484	301 224 9316	MT-GLAZE 1K JA 1/16W
R3421	301 226 1516	MT-GLAZE 0.000 ZA 1/16W	R3485	301 226 1516	MT-GLAZE 0.000 ZA 1/16W
R3422	301 224 9316	MT-GLAZE 1K JA 1/16W	R3486	301 224 9316	MT-GLAZE 1K JA 1/16W
R3423	301 225 1814	MT-GLAZE 47 JA 1/16W	R3487	301 225 0312	MT-GLAZE 33 JA 1/16W
R3424	301 224 9316	MT-GLAZE 1K JA 1/16W	R349	301 224 9019	MT-GLAZE 10K JA 1/16W
R3425	301 224 9316	MT-GLAZE 1K JA 1/16W	R3490	301 225 1814	MT-GLAZE 47 JA 1/16W
R3426	301 224 9316	MT-GLAZE 1K JA 1/16W	R3491	301 224 9019	MT-GLAZE 10K JA 1/16W
R3427	301 225 0213	MT-GLAZE 3.3K JA 1/16W	R3493	301 225 0213	MT-GLAZE 3.3K JA 1/16W
R3428	301 225 0213	MT-GLAZE 3.3K JA 1/16W	R3494	301 224 9316	MT-GLAZE 1K JA 1/16W
R3429	301 225 1814	MT-GLAZE 47 JA 1/16W	R3495	301 225 1814	MT-GLAZE 47 JA 1/16W
R343	301 225 0213	MT-GLAZE 3.3K JA 1/16W	R3496	301 225 1814	MT-GLAZE 47 JA 1/16W
R3430	301 225 1814	MT-GLAZE 47 JA 1/16W	R3497	301 272 7814	MT-GLAZE 100 FA 1/16W
R3431	301 225 1913	MT-GLAZE 68 JA 1/16W	R3499	301 225 1814	MT-GLAZE 47 JA 1/16W

Electrical Parts List

Key No.	Part No.	Description	Key No.	Part No.	Description
R350	301 225 1814	MT-GLAZE 47 JA 1/16W	R377	301 224 9019	MT-GLAZE 10K JA 1/16W
R3500	301 226 1516	MT-GLAZE 0.000 ZA 1/16W	R378	301 224 9019	MT-GLAZE 10K JA 1/16W
R3502	301 299 4810	MT-GLAZE 2.7K FA 1/16W	R379	301 224 9019	MT-GLAZE 10K JA 1/16W
R3506	301 225 1210	MT-GLAZE 4.7K JA 1/16W	R381	301 224 9316	MT-GLAZE 1K JA 1/16W
R3509	301 226 1516	MT-GLAZE 0.000 ZA 1/16W	R382	301 226 1516	MT-GLAZE 0.000 ZA 1/16W
R351	301 224 9019	MT-GLAZE 10K JA 1/16W	R383	301 225 1814	MT-GLAZE 47 JA 1/16W
R3510	301 226 1516	MT-GLAZE 0.000 ZA 1/16W	R384	301 225 1814	MT-GLAZE 47 JA 1/16W
R3511	301 272 7814	MT-GLAZE 100 FA 1/16W	R385	301 226 1516	MT-GLAZE 0.000 ZA 1/16W
R3512	401 343 0512	MT-GLAZE 7.5K FA 1/16W	R386	301 226 1516	MT-GLAZE 0.000 ZA 1/16W
R3513	301 294 2811	MT-GLAZE 2.2K FA 1/16W	R388	301 226 1516	MT-GLAZE 0.000 ZA 1/16W
R3514	301 301 3718	MT-GLAZE 2K FA 1/16W	R389	301 225 0213	MT-GLAZE 3.3K JA 1/16W
R3516	301 272 7814	MT-GLAZE 100 FA 1/16W	R402	301 224 9712	MT-GLAZE 22 JA 1/16W
R3517	401 343 0512	MT-GLAZE 7.5K FA 1/16W	R403	301 227 2413	MT-GLAZE 15 JA 1/16W
R3518	301 294 2811	MT-GLAZE 2.2K FA 1/16W	R404	301 227 2413	MT-GLAZE 15 JA 1/16W
R3519	301 301 3718	MT-GLAZE 2K FA 1/16W	R405	301 225 0312	MT-GLAZE 33 JA 1/16W
R352	301 224 9019	MT-GLAZE 10K JA 1/16W	R407	301 226 1516	MT-GLAZE 0.000 ZA 1/16W
R3520	301 226 1516	MT-GLAZE 0.000 ZA 1/16W	R408	301 227 2413	MT-GLAZE 15 JA 1/16W
R3522	301 299 4810	MT-GLAZE 2.7K FA 1/16W	R409	301 227 2413	MT-GLAZE 15 JA 1/16W
R3526	301 225 1210	MT-GLAZE 4.7K JA 1/16W	R410	301 226 1516	MT-GLAZE 0.000 ZA 1/16W
R3529	301 226 1516	MT-GLAZE 0.000 ZA 1/16W	R411	301 226 1516	MT-GLAZE 0.000 ZA 1/16W
R353	301 224 9019	MT-GLAZE 10K JA 1/16W	R412	301 226 1516	MT-GLAZE 0.000 ZA 1/16W
R3530	301 226 1516	MT-GLAZE 0.000 ZA 1/16W	R415	301 226 1516	MT-GLAZE 0.000 ZA 1/16W
R3531	301 272 7814	MT-GLAZE 100 FA 1/16W	R420	301 226 1516	MT-GLAZE 0.000 ZA 1/16W
R3532	401 343 0512	MT-GLAZE 7.5K FA 1/16W	R423	301 224 9712	MT-GLAZE 22 JA 1/16W
R3533	301 294 2811	MT-GLAZE 2.2K FA 1/16W	R424	301 224 9712	MT-GLAZE 22 JA 1/16W
R3534	301 301 3718	MT-GLAZE 2K FA 1/16W	R434	301 225 1210	MT-GLAZE 4.7K JA 1/16W
R3536	301 226 1516	MT-GLAZE 0.000 ZA 1/16W	R436	301 226 1516	MT-GLAZE 0.000 ZA 1/16W
R354	301 226 1516	MT-GLAZE 0.000 ZA 1/16W	R437	301 226 1516	MT-GLAZE 0.000 ZA 1/16W
R3542	301 299 4810	MT-GLAZE 2.7K FA 1/16W	R438	301 226 1516	MT-GLAZE 0.000 ZA 1/16W
R3546	301 225 1210	MT-GLAZE 4.7K JA 1/16W	R441	301 226 1516	MT-GLAZE 0.000 ZA 1/16W
R355	301 226 1516	MT-GLAZE 0.000 ZA 1/16W	R442	301 226 1516	MT-GLAZE 0.000 ZA 1/16W
R3551	301 272 7814	MT-GLAZE 100 FA 1/16W	R443	301 226 1516	MT-GLAZE 0.000 ZA 1/16W
R3552	401 343 0512	MT-GLAZE 7.5K FA 1/16W	R444	301 226 1516	MT-GLAZE 0.000 ZA 1/16W
R3553	301 294 2811	MT-GLAZE 2.2K FA 1/16W	R446	301 226 1516	MT-GLAZE 0.000 ZA 1/16W
R3554	301 301 3718	MT-GLAZE 2K FA 1/16W	R453	301 226 1516	MT-GLAZE 0.000 ZA 1/16W
R3557	301 226 1516	MT-GLAZE 0.000 ZA 1/16W	R454	301 226 1516	MT-GLAZE 0.000 ZA 1/16W
R3558	301 226 1516	MT-GLAZE 0.000 ZA 1/16W	R456	301 225 0213	MT-GLAZE 3.3K JA 1/16W
R3559	301 226 1516	MT-GLAZE 0.000 ZA 1/16W	R457	301 225 0213	MT-GLAZE 3.3K JA 1/16W
R356	301 224 9019	MT-GLAZE 10K JA 1/16W	R458	301 224 9712	MT-GLAZE 22 JA 1/16W
R3561	301 272 7814	MT-GLAZE 100 FA 1/16W	R459	301 224 9712	MT-GLAZE 22 JA 1/16W
R3562	301 225 8011	MT-GLAZE 330 JA 1/16W	R461	301 224 9712	MT-GLAZE 22 JA 1/16W
R3563	301 298 5511	MT-GLAZE 8.2K FA 1/16W	R4623	301 224 9316	MT-GLAZE 1K JA 1/16W
R3564	301 259 7922	MT-GLAZE 5.1K JA 1/16W	R464	301 226 1516	MT-GLAZE 0.000 ZA 1/16W
R3566	301 224 9019	MT-GLAZE 10K JA 1/16W	R466	301 226 1516	MT-GLAZE 0.000 ZA 1/16W
R3567	301 229 3913	MT-GLAZE 180 JA 1/16W	R469	301 226 1516	MT-GLAZE 0.000 ZA 1/16W
R3568	301 259 7922	MT-GLAZE 5.1K JA 1/16W	R4702	301 224 9712	MT-GLAZE 22 JA 1/16W
R3569	301 259 7922	MT-GLAZE 5.1K JA 1/16W	R4705	301 225 8110	MT-GLAZE 10 JA 1/16W
R3571	301 224 8913	MT-GLAZE 100K JA 1/16W	R4706	301 224 9712	MT-GLAZE 22 JA 1/16W
R3572	301 225 1210	MT-GLAZE 4.7K JA 1/16W	R4707	301 224 9712	MT-GLAZE 22 JA 1/16W
R3573	301 298 5818	MT-GLAZE 9.1K FA 1/16W	R4708	301 224 9712	MT-GLAZE 22 JA 1/16W
R3574	301 301 8218	MT-GLAZE 680 FA 1/16W	R4709	301 224 9316	MT-GLAZE 1K JA 1/16W
R3576	301 294 3016	MT-GLAZE 10K FA 1/16W	R471	301 264 4616	MT-GLAZE 180 FA 1/10W
R3581	301 224 8913	MT-GLAZE 100K JA 1/16W	R4711	301 224 9019	MT-GLAZE 10K JA 1/16W
R3582	301 301 3718	MT-GLAZE 2K FA 1/16W	R4713	301 224 9712	MT-GLAZE 22 JA 1/16W
R3583	301 225 8011	MT-GLAZE 330 JA 1/16W	R4714	301 224 9712	MT-GLAZE 22 JA 1/16W
R3584	301 225 8011	MT-GLAZE 330 JA 1/16W	R4717	301 226 1516	MT-GLAZE 0.000 ZA 1/16W
R3586	401 342 9219	MT-GLAZE 270 FA 1/16W	R4718	301 226 1516	MT-GLAZE 0.000 ZA 1/16W
R3587	301 294 3016	MT-GLAZE 10K FA 1/16W	R4719	301 226 1516	MT-GLAZE 0.000 ZA 1/16W
R359	301 226 1516	MT-GLAZE 0.000 ZA 1/16W	R472	301 264 4616	MT-GLAZE 180 FA 1/10W
R361	301 225 0213	MT-GLAZE 3.3K JA 1/16W	R4721	301 226 1516	MT-GLAZE 0.000 ZA 1/16W
R362	301 225 0213	MT-GLAZE 3.3K JA 1/16W	R4722	301 226 1516	MT-GLAZE 0.000 ZA 1/16W
R364	301 224 9019	MT-GLAZE 10K JA 1/16W	R4723	301 226 1516	MT-GLAZE 0.000 ZA 1/16W
R366	301 224 9019	MT-GLAZE 10K JA 1/16W	R4724	301 226 1516	MT-GLAZE 0.000 ZA 1/16W
R371	301 224 9019	MT-GLAZE 10K JA 1/16W	R4725	301 226 1516	MT-GLAZE 0.000 ZA 1/16W
R372	301 224 9019	MT-GLAZE 10K JA 1/16W	R4728	301 224 9019	MT-GLAZE 10K JA 1/16W
R373	301 224 9019	MT-GLAZE 10K JA 1/16W	R4730	301 226 1516	MT-GLAZE 0.000 ZA 1/16W
R376	301 224 9019	MT-GLAZE 10K JA 1/16W	R4731	301 224 9019	MT-GLAZE 10K JA 1/16W

Electrical Parts List

Key No.	Part No.	Description	Key No.	Part No.	Description
R4737	301 224 9316	MT-GLAZE 1K JA 1/16W	R492	301 225 8110	MT-GLAZE 10 JA 1/16W
R4738	301 224 9316	MT-GLAZE 1K JA 1/16W	R494	301 225 8110	MT-GLAZE 10 JA 1/16W
R4739	301 225 0213	MT-GLAZE 3.3K JA 1/16W	R497	301 225 8110	MT-GLAZE 10 JA 1/16W
R474	301 226 1516	MT-GLAZE 0.000 ZA 1/16W	R498	301 225 8110	MT-GLAZE 10 JA 1/16W
R476	301 225 0213	MT-GLAZE 3.3K JA 1/16W	R501	301 226 1516	MT-GLAZE 0.000 ZA 1/16W
R477	301 225 0213	MT-GLAZE 3.3K JA 1/16W	R502	301 226 1516	MT-GLAZE 0.000 ZA 1/16W
R478	301 225 0213	MT-GLAZE 3.3K JA 1/16W	R503	301 225 8110	MT-GLAZE 10 JA 1/16W
R479	301 225 0213	MT-GLAZE 3.3K JA 1/16W	R506	301 225 8110	MT-GLAZE 10 JA 1/16W
R4801	301 224 9415	MT-GLAZE 1M JA 1/16W	R509	301 225 8110	MT-GLAZE 10 JA 1/16W
R4802	401 342 9219	MT-GLAZE 270 FA 1/16W	R511	301 226 1516	MT-GLAZE 0.000 ZA 1/16W
R4803	301 224 9019	MT-GLAZE 10K JA 1/16W	R512	301 225 8110	MT-GLAZE 10 JA 1/16W
R4804	301 226 1516	MT-GLAZE 0.000 ZA 1/16W	R513	301 226 1516	MT-GLAZE 0.000 ZA 1/16W
R4807	301 226 1516	MT-GLAZE 0.000 ZA 1/16W	R514	301 224 9316	MT-GLAZE 1K JA 1/16W
R4808	301 226 1516	MT-GLAZE 0.000 ZA 1/16W	R515	301 150 6014	MT-GLAZE 0.000 ZA 1/10W
R4809	301 226 1516	MT-GLAZE 0.000 ZA 1/16W	R516	301 226 1516	MT-GLAZE 0.000 ZA 1/16W
R481	301 225 0213	MT-GLAZE 3.3K JA 1/16W	R517	301 225 8110	MT-GLAZE 10 JA 1/16W
R4811	301 226 1516	MT-GLAZE 0.000 ZA 1/16W	R518	301 226 1516	MT-GLAZE 0.000 ZA 1/16W
R4812	301 226 1516	MT-GLAZE 0.000 ZA 1/16W	R519	301 226 1516	MT-GLAZE 0.000 ZA 1/16W
R4813	301 224 9019	MT-GLAZE 10K JA 1/16W	R5202	301 225 0213	MT-GLAZE 3.3K JA 1/16W
R4814	301 294 3313	MT-GLAZE 15K FA 1/16W	R5203	301 225 8110	MT-GLAZE 10 JA 1/16W
R4815	301 224 9019	MT-GLAZE 10K JA 1/16W	R5204	301 224 9316	MT-GLAZE 1K JA 1/16W
R4816	301 225 0213	MT-GLAZE 3.3K JA 1/16W	R5205	301 225 8110	MT-GLAZE 10 JA 1/16W
R4818	301 225 0213	MT-GLAZE 3.3K JA 1/16W	R5206	301 224 9316	MT-GLAZE 1K JA 1/16W
R4819	301 224 9019	MT-GLAZE 10K JA 1/16W	R5207	301 226 1516	MT-GLAZE 0.000 ZA 1/16W
R482	301 225 0213	MT-GLAZE 3.3K JA 1/16W	R521	301 226 1516	MT-GLAZE 0.000 ZA 1/16W
R4821	301 225 0213	MT-GLAZE 3.3K JA 1/16W	R5211	301 225 0312	MT-GLAZE 33 JA 1/16W
R4822	301 226 1516	MT-GLAZE 0.000 ZA 1/16W	R5212	301 225 0312	MT-GLAZE 33 JA 1/16W
R4824	301 225 0213	MT-GLAZE 3.3K JA 1/16W	R5213	301 225 0312	MT-GLAZE 33 JA 1/16W
R4826	301 225 0213	MT-GLAZE 3.3K JA 1/16W	R5214	301 225 0312	MT-GLAZE 33 JA 1/16W
R4829	301 226 1516	MT-GLAZE 0.000 ZA 1/16W	R5215	301 225 0312	MT-GLAZE 33 JA 1/16W
R483	301 225 0213	MT-GLAZE 3.3K JA 1/16W	R5216	301 225 0312	MT-GLAZE 33 JA 1/16W
R4831	301 226 1516	MT-GLAZE 0.000 ZA 1/16W	R5217	301 225 8110	MT-GLAZE 10 JA 1/16W
R4832	301 226 1516	MT-GLAZE 0.000 ZA 1/16W	R5218	301 225 8110	MT-GLAZE 10 JA 1/16W
R4839	301 226 1516	MT-GLAZE 0.000 ZA 1/16W	R522	301 226 1516	MT-GLAZE 0.000 ZA 1/16W
R484	301 225 0213	MT-GLAZE 3.3K JA 1/16W	R5222	301 226 1516	MT-GLAZE 0.000 ZA 1/16W
R4843	301 225 3818	MT-GLAZE 1.5K JA 1/16W	R523	301 224 9316	MT-GLAZE 1K JA 1/16W
R4847	301 226 1516	MT-GLAZE 0.000 ZA 1/16W	R5235	301 224 9019	MT-GLAZE 10K JA 1/16W
R4848	301 224 9019	MT-GLAZE 10K JA 1/16W	R5236	301 224 9019	MT-GLAZE 10K JA 1/16W
R4849	301 224 9019	MT-GLAZE 10K JA 1/16W	R5237	301 224 9316	MT-GLAZE 1K JA 1/16W
R4851	301 225 1210	MT-GLAZE 4.7K JA 1/16W	R5238	301 224 9316	MT-GLAZE 1K JA 1/16W
R4852	301 224 9019	MT-GLAZE 10K JA 1/16W	R5239	301 224 9316	MT-GLAZE 1K JA 1/16W
R4853	301 224 9019	MT-GLAZE 10K JA 1/16W	R524	301 226 1516	MT-GLAZE 0.000 ZA 1/16W
R4854	301 226 1516	MT-GLAZE 0.000 ZA 1/16W	R5241	301 224 9712	MT-GLAZE 22 JA 1/16W
R4855	301 272 7814	MT-GLAZE 100 FA 1/16W	R5242	301 224 9712	MT-GLAZE 22 JA 1/16W
R4856	301 224 9316	MT-GLAZE 1K JA 1/16W	R5244	301 225 1210	MT-GLAZE 4.7K JA 1/16W
R4857	301 226 1516	MT-GLAZE 0.000 ZA 1/16W	R5245	301 225 1210	MT-GLAZE 4.7K JA 1/16W
R4858	301 226 5415	MT-GLAZE 56 JA 1/16W	R5247	301 226 1516	MT-GLAZE 0.000 ZA 1/16W
R486	301 225 8110	MT-GLAZE 10 JA 1/16W	R5248	301 224 9316	MT-GLAZE 1K JA 1/16W
R4861	301 225 8110	MT-GLAZE 10 JA 1/16W	R525	301 150 6014	MT-GLAZE 0.000 ZA 1/10W
R4862	301 225 8110	MT-GLAZE 10 JA 1/16W	R5253	301 225 1210	MT-GLAZE 4.7K JA 1/16W
R4863	301 225 8110	MT-GLAZE 10 JA 1/16W	R5254	301 225 1210	MT-GLAZE 4.7K JA 1/16W
R4864	301 224 9019	MT-GLAZE 10K JA 1/16W	R526	301 226 1516	MT-GLAZE 0.000 ZA 1/16W
R4867	301 224 9316	MT-GLAZE 1K JA 1/16W	R5262	301 224 9019	MT-GLAZE 10K JA 1/16W
R488	301 225 0213	MT-GLAZE 3.3K JA 1/16W	R5264	301 302 5414	MT-GLAZE 220 FA 1/16W
R4882	301 224 9019	MT-GLAZE 10K JA 1/16W	R5266	301 298 5511	MT-GLAZE 8.2K FA 1/16W
R4883	301 224 9019	MT-GLAZE 10K JA 1/16W	R5267	301 259 7922	MT-GLAZE 5.1K JA 1/16W
R4884	301 224 9019	MT-GLAZE 10K JA 1/16W	R5268	301 294 3016	MT-GLAZE 10K FA 1/16W
R4885	301 224 9019	MT-GLAZE 10K JA 1/16W	R5269	301 298 5412	MT-GLAZE 39K FA 1/16W
R4886	301 224 9019	MT-GLAZE 10K JA 1/16W	R527	301 224 9316	MT-GLAZE 1K JA 1/16W
R4887	301 224 9019	MT-GLAZE 10K JA 1/16W	R528	301 259 2115	MT-GLAZE 1 JA 1/16W
R489	301 225 0213	MT-GLAZE 3.3K JA 1/16W	R529	301 259 2115	MT-GLAZE 1 JA 1/16W
R4893	301 225 1210	MT-GLAZE 4.7K JA 1/16W	R5291	301 224 9019	MT-GLAZE 10K JA 1/16W
R4894	301 225 1210	MT-GLAZE 4.7K JA 1/16W	R5292	301 261 1410	MT-GLAZE 430 JA 1/16W
R4896	301 225 1210	MT-GLAZE 4.7K JA 1/16W	R5293	301 225 1210	MT-GLAZE 4.7K JA 1/16W
R4897	301 225 1210	MT-GLAZE 4.7K JA 1/16W	R5294	301 294 3016	MT-GLAZE 10K FA 1/16W
R4898	301 226 1516	MT-GLAZE 0.000 ZA 1/16W	R5296	301 294 3016	MT-GLAZE 10K FA 1/16W
R4899	301 225 1210	MT-GLAZE 4.7K JA 1/16W	R5297	301 298 5412	MT-GLAZE 39K FA 1/16W

Electrical Parts List

Key No.	Part No.	Description	Key No.	Part No.	Description
R5501	301 190 1710	MT-GLAZE 0.000 ZA 1W	R5662	301 224 9019	MT-GLAZE 10K JA 1/16W
R5502	301 224 9316	MT-GLAZE 1K JA 1/16W	R5663	301 284 3326	MT-GLAZE 3K FA 1/16W
R5503	301 225 1210	MT-GLAZE 4.7K JA 1/16W	R5664	301 259 7922	MT-GLAZE 5.1K JA 1/16W
R5504	301 224 9316	MT-GLAZE 1K JA 1/16W	R5666	301 294 3016	MT-GLAZE 10K FA 1/16W
R5506	301 225 1210	MT-GLAZE 4.7K JA 1/16W	R567	301 226 1516	MT-GLAZE 0.000 ZA 1/16W
R5507	301 038 7614	MT-GLAZE 560 JA 1/10W	R5671	301 224 9019	MT-GLAZE 10K JA 1/16W
R5509	301 226 1516	MT-GLAZE 0.000 ZA 1/16W	R5672	301 224 9019	MT-GLAZE 10K JA 1/16W
R551	301 226 1516	MT-GLAZE 0.000 ZA 1/16W	R5673	301 225 1210	MT-GLAZE 4.7K JA 1/16W
R5511	301 226 1516	MT-GLAZE 0.000 ZA 1/16W	R5675	301 226 1516	MT-GLAZE 0.000 ZA 1/16W
R5512	301 226 1516	MT-GLAZE 0.000 ZA 1/16W	R5676	301 294 3115	MT-GLAZE 1K FA 1/16W
R552	301 226 1516	MT-GLAZE 0.000 ZA 1/16W	R5677	301 287 2227	MT-GLAZE 22K FA 1/16W
R5521	301 190 1710	MT-GLAZE 0.000 ZA 1W	R5678	301 294 3016	MT-GLAZE 10K FA 1/16W
R5522	301 224 9316	MT-GLAZE 1K JA 1/16W	R5682	301 294 3016	MT-GLAZE 10K FA 1/16W
R5523	301 225 1210	MT-GLAZE 4.7K JA 1/16W	R5686	301 294 3016	MT-GLAZE 10K FA 1/16W
R5524	301 224 9316	MT-GLAZE 1K JA 1/16W	R5687	301 294 3115	MT-GLAZE 1K FA 1/16W
R5526	301 225 1210	MT-GLAZE 4.7K JA 1/16W	R5688	301 294 3016	MT-GLAZE 10K FA 1/16W
R5527	301 038 7614	MT-GLAZE 560 JA 1/10W	R569	301 226 1516	MT-GLAZE 0.000 ZA 1/16W
R5529	301 226 1516	MT-GLAZE 0.000 ZA 1/16W	R571	301 226 1516	MT-GLAZE 0.000 ZA 1/16W
R553	301 225 8110	MT-GLAZE 10 JA 1/16W	R572	301 226 1516	MT-GLAZE 0.000 ZA 1/16W
R5531	301 226 1516	MT-GLAZE 0.000 ZA 1/16W	R5801	301 224 9316	MT-GLAZE 1K JA 1/16W
R5532	301 226 1516	MT-GLAZE 0.000 ZA 1/16W	R5802	301 224 9019	MT-GLAZE 10K JA 1/16W
R554	301 225 8110	MT-GLAZE 10 JA 1/16W	R5803	301 224 9019	MT-GLAZE 10K JA 1/16W
R5541	301 224 9019	MT-GLAZE 10K JA 1/16W	R5804	301 224 9019	MT-GLAZE 10K JA 1/16W
R5542	301 224 9019	MT-GLAZE 10K JA 1/16W	R5806	301 224 9019	MT-GLAZE 10K JA 1/16W
R5543	301 226 1516	MT-GLAZE 0.000 ZA 1/16W	R5807	301 224 9316	MT-GLAZE 1K JA 1/16W
R5545	301 272 7814	MT-GLAZE 100 FA 1/16W	R5808	301 224 9316	MT-GLAZE 1K JA 1/16W
R5547	301 299 2410	MT-GLAZE 5.6K FA 1/16W	R581	301 294 3016	MT-GLAZE 10K FA 1/16W
R5548	301 225 3818	MT-GLAZE 1.5K JA 1/16W	R5811	301 224 9316	MT-GLAZE 1K JA 1/16W
R5549	301 301 3718	MT-GLAZE 2K FA 1/16W	R582	301 299 4810	MT-GLAZE 2.7K FA 1/16W
R5550	301 224 9019	MT-GLAZE 10K JA 1/16W	R5821	301 224 9019	MT-GLAZE 10K JA 1/16W
R5551	301 224 9316	MT-GLAZE 1K JA 1/16W	R5822	301 226 1516	MT-GLAZE 0.000 ZA 1/16W
R5552	301 225 0213	MT-GLAZE 3.3K JA 1/16W	R5823	301 226 1516	MT-GLAZE 0.000 ZA 1/16W
R5553	301 224 9019	MT-GLAZE 10K JA 1/16W	R5824	301 226 1516	MT-GLAZE 0.000 ZA 1/16W
R5554	301 224 8913	MT-GLAZE 100K JA 1/16W	R5826	301 226 1516	MT-GLAZE 0.000 ZA 1/16W
R5555	301 224 9019	MT-GLAZE 10K JA 1/16W	R583	301 294 3016	MT-GLAZE 10K FA 1/16W
R5556	301 224 8913	MT-GLAZE 100K JA 1/16W	R584	301 298 5412	MT-GLAZE 39K FA 1/16W
R556	301 225 8110	MT-GLAZE 10 JA 1/16W	R5840	301 226 1516	MT-GLAZE 0.000 ZA 1/16W
R5561	301 190 1710	MT-GLAZE 0.000 ZA 1W	R5846	301 225 8011	MT-GLAZE 330 JA 1/16W
R5562	301 224 9316	MT-GLAZE 1K JA 1/16W	R5847	301 224 9019	MT-GLAZE 10K JA 1/16W
R5563	301 225 1210	MT-GLAZE 4.7K JA 1/16W	R5848	301 287 2227	MT-GLAZE 22K FA 1/16W
R5564	301 224 9316	MT-GLAZE 1K JA 1/16W	R5850	301 225 8011	MT-GLAZE 330 JA 1/16W
R5565	301 294 3016	MT-GLAZE 10K FA 1/16W	R5851	301 225 8011	MT-GLAZE 330 JA 1/16W
R5566	301 225 1210	MT-GLAZE 4.7K JA 1/16W	R5852	301 225 8011	MT-GLAZE 330 JA 1/16W
R5567	301 038 7614	MT-GLAZE 560 JA 1/10W	R5853	301 225 8011	MT-GLAZE 330 JA 1/16W
R5569	301 226 1516	MT-GLAZE 0.000 ZA 1/16W	R5854	301 224 9019	MT-GLAZE 10K JA 1/16W
R5570	301 298 5412	MT-GLAZE 39K FA 1/16W	R5855	301 287 2227	MT-GLAZE 22K FA 1/16W
R5571	301 226 1516	MT-GLAZE 0.000 ZA 1/16W	R5856	301 225 8011	MT-GLAZE 330 JA 1/16W
R5572	301 226 1516	MT-GLAZE 0.000 ZA 1/16W	R5857	301 225 8011	MT-GLAZE 330 JA 1/16W
R559	301 225 8110	MT-GLAZE 10 JA 1/16W	R5858	301 224 9019	MT-GLAZE 10K JA 1/16W
R561	301 226 1516	MT-GLAZE 0.000 ZA 1/16W	R5859	301 287 2227	MT-GLAZE 22K FA 1/16W
R5612	301 224 8913	MT-GLAZE 100K JA 1/16W	R5860	301 225 8011	MT-GLAZE 330 JA 1/16W
R5614	301 301 3718	MT-GLAZE 2K FA 1/16W	R5862	301 294 2811	MT-GLAZE 2.2K FA 1/16W
R5616	301 287 2227	MT-GLAZE 22K FA 1/16W	R5863	301 225 1814	MT-GLAZE 47 JA 1/16W
R5617	301 306 8619	MT-GLAZE 3.6K FA 1/16W	R5864	301 225 1319	MT-GLAZE 470 JA 1/16W
R5618	301 294 3016	MT-GLAZE 10K FA 1/16W	R5865	301 224 9019	MT-GLAZE 10K JA 1/16W
R562	301 226 1516	MT-GLAZE 0.000 ZA 1/16W	R5866	301 225 1210	MT-GLAZE 4.7K JA 1/16W
R563	301 226 1516	MT-GLAZE 0.000 ZA 1/16W	R5867	301 224 9316	MT-GLAZE 1K JA 1/16W
R5632	301 226 1516	MT-GLAZE 0.000 ZA 1/16W	R5868	301 225 1319	MT-GLAZE 470 JA 1/16W
R5633	301 294 3115	MT-GLAZE 1K FA 1/16W	R5869	301 287 2227	MT-GLAZE 22K FA 1/16W
R5634	301 287 2227	MT-GLAZE 22K FA 1/16W	R5870	301 224 9316	MT-GLAZE 1K JA 1/16W
R5636	301 294 3016	MT-GLAZE 10K FA 1/16W	R5882	301 224 9019	MT-GLAZE 10K JA 1/16W
R5653	301 224 9019	MT-GLAZE 10K JA 1/16W	R5884	301 294 2910	MT-GLAZE 560 FA 1/16W
R5654	301 301 3718	MT-GLAZE 2K FA 1/16W	R5885	301 294 3313	MT-GLAZE 15K FA 1/16W
R5656	301 298 5818	MT-GLAZE 9.1K FA 1/16W	R5886	301 259 7922	MT-GLAZE 5.1K JA 1/16W
R5657	301 301 8218	MT-GLAZE 680 FA 1/16W	R5887	301 224 9019	MT-GLAZE 10K JA 1/16W
R5658	301 294 3016	MT-GLAZE 10K FA 1/16W	R5888	301 302 5414	MT-GLAZE 220 FA 1/16W
R566	301 226 1516	MT-GLAZE 0.000 ZA 1/16W	R5889	301 298 5511	MT-GLAZE 8.2K FA 1/16W

Electrical Parts List

Key No.	Part No.	Description	Key No.	Part No.	Description
R5891	301 259 7922	MT-GLAZE 5.1K JA 1/16W	R6624	945 030 1057	PROTECTOR,IC 3.8A 72V
R5893	301 224 9019	MT-GLAZE 10K JA 1/16W	R6630	301 224 9019	MT-GLAZE 10K JA 1/16W
R5894	301 287 2227	MT-GLAZE 22K FA 1/16W	R6640	301 294 3016	MT-GLAZE 10K FA 1/16W
R5895	301 225 8011	MT-GLAZE 330 JA 1/16W	R6645	301 224 8913	MT-GLAZE 100K JA 1/16W
R5896	301 225 8011	MT-GLAZE 330 JA 1/16W	R6651	301 150 6212	MT-GLAZE 1K JA 1/10W
R5897	301 225 8011	MT-GLAZE 330 JA 1/16W	R6652	301 238 4215	MT-GLAZE 1.5K JA 1/3W
R5898	301 225 8011	MT-GLAZE 330 JA 1/16W	R6653	301 294 3511	MT-GLAZE 27K FA 1/16W
R591	301 294 3016	MT-GLAZE 10K FA 1/16W	R6654	301 294 3511	MT-GLAZE 27K FA 1/16W
R592	301 299 4810	MT-GLAZE 2.7K FA 1/16W	R6655	301 224 8913	MT-GLAZE 100K JA 1/16W
R593	301 294 3016	MT-GLAZE 10K FA 1/16W	R6656	301 224 9019	MT-GLAZE 10K JA 1/16W
R594	301 298 5412	MT-GLAZE 39K FA 1/16W	R6657	301 294 3511	MT-GLAZE 27K FA 1/16W
R6402	301 299 2410	MT-GLAZE 5.6K FA 1/16W	R6658	301 294 3511	MT-GLAZE 27K FA 1/16W
R6403	301 294 3313	MT-GLAZE 15K FA 1/16W	R6659	301 224 9019	MT-GLAZE 10K JA 1/16W
R6404	301 294 3016	MT-GLAZE 10K FA 1/16W	R6666	945 086 6044	IMPEDANCE,470 OHM P
R6406	301 294 3016	MT-GLAZE 10K FA 1/16W	R6667	301 224 9019	MT-GLAZE 10K JA 1/16W
R6407	301 298 5412	MT-GLAZE 39K FA 1/16W	R6668	301 150 6212	MT-GLAZE 1K JA 1/10W
R6408	301 294 3016	MT-GLAZE 10K FA 1/16W	R6669	301 299 2410	MT-GLAZE 5.6K FA 1/16W
R6409	301 298 5412	MT-GLAZE 39K FA 1/16W	R6671	301 224 9019	MT-GLAZE 10K JA 1/16W
R6411	301 224 9019	MT-GLAZE 10K JA 1/16W	R6672	301 225 0213	MT-GLAZE 3.3K JA 1/16W
R6412	301 224 8913	MT-GLAZE 100K JA 1/16W	R6673	301 294 3016	MT-GLAZE 10K FA 1/16W
R6413	301 224 9019	MT-GLAZE 10K JA 1/16W	R6674	301 298 5412	MT-GLAZE 39K FA 1/16W
R6415	301 284 3326	MT-GLAZE 3K FA 1/16W	R6677	301 225 7618	MT-GLAZE 1 JA 1W
R6416	301 225 8011	MT-GLAZE 330 JA 1/16W	R7401	301 225 0213	MT-GLAZE 3.3K JA 1/16W
R6417	301 294 3016	MT-GLAZE 10K FA 1/16W	R7402	301 225 0213	MT-GLAZE 3.3K JA 1/16W
R6419	301 301 3718	MT-GLAZE 2K FA 1/16W	R7403	301 225 1210	MT-GLAZE 4.7K JA 1/16W
R6421	301 284 3326	MT-GLAZE 3K FA 1/16W	R7404	301 225 1210	MT-GLAZE 4.7K JA 1/16W
R6422	301 299 5312	MT-GLAZE 12K FA 1/16W	R7405	301 226 1516	MT-GLAZE 0.000 ZA 1/16W
R6423	301 294 3016	MT-GLAZE 10K FA 1/16W	R7406	301 226 1516	MT-GLAZE 0.000 ZA 1/16W
R6424	301 294 3016	MT-GLAZE 10K FA 1/16W	R7408	301 224 9316	MT-GLAZE 1K JA 1/16W
R6426	301 298 5412	MT-GLAZE 39K FA 1/16W	R7409	301 224 9019	MT-GLAZE 10K JA 1/16W
R6501	301 102 7410	MT-GLAZE 10 JA 1W	R7411	301 224 9019	MT-GLAZE 10K JA 1/16W
R6502	301 102 7410	MT-GLAZE 10 JA 1W	R7414	301 226 1516	MT-GLAZE 0.000 ZA 1/16W
R6508	301 226 1516	MT-GLAZE 0.000 ZA 1/16W	R7415	301 226 1516	MT-GLAZE 0.000 ZA 1/16W
R6509	301 224 9316	MT-GLAZE 1K JA 1/16W	R7416	301 226 1516	MT-GLAZE 0.000 ZA 1/16W
R6511	301 038 7614	MT-GLAZE 560 JA 1/10W	R7417	301 226 1516	MT-GLAZE 0.000 ZA 1/16W
R6512	301 224 9019	MT-GLAZE 10K JA 1/16W	R7418	301 294 3016	MT-GLAZE 10K FA 1/16W
R6521	301 102 7410	MT-GLAZE 10 JA 1W	R7419	301 328 3913	MT-GLAZE 36K FA 1/16W
R6522	301 102 7410	MT-GLAZE 10 JA 1W	R7422	301 224 8913	MT-GLAZE 100K JA 1/16W
R6524	301 225 1210	MT-GLAZE 4.7K JA 1/16W	R7423	301 294 3016	MT-GLAZE 10K FA 1/16W
R6525	301 225 1210	MT-GLAZE 4.7K JA 1/16W	R7424	301 328 3913	MT-GLAZE 36K FA 1/16W
R6526	301 225 1210	MT-GLAZE 4.7K JA 1/16W	R7426	301 224 8913	MT-GLAZE 100K JA 1/16W
R6527	301 225 1210	MT-GLAZE 4.7K JA 1/16W	R7427	301 224 8913	MT-GLAZE 100K JA 1/16W
R6528	301 226 1516	MT-GLAZE 0.000 ZA 1/16W	R7428	301 224 9019	MT-GLAZE 10K JA 1/16W
R6529	301 224 9316	MT-GLAZE 1K JA 1/16W	R7432	301 224 9019	MT-GLAZE 10K JA 1/16W
R6531	301 038 7614	MT-GLAZE 560 JA 1/10W	R7433	301 224 9415	MT-GLAZE 1M JA 1/16W
R6546	301 224 8913	MT-GLAZE 100K JA 1/16W	R7434	301 150 6014	MT-GLAZE 0.000 ZA 1/10W
R6547	301 224 8913	MT-GLAZE 100K JA 1/16W	R7436	301 150 6014	MT-GLAZE 0.000 ZA 1/10W
R6554	301 224 9316	MT-GLAZE 1K JA 1/16W	R7437	301 287 2227	MT-GLAZE 22K FA 1/16W
R6556	301 224 9316	MT-GLAZE 1K JA 1/16W	R7438	301 224 9019	MT-GLAZE 10K JA 1/16W
R6557	301 224 9316	MT-GLAZE 1K JA 1/16W	R7439	301 225 0213	MT-GLAZE 3.3K JA 1/16W
R6558	301 224 9316	MT-GLAZE 1K JA 1/16W	R7441	301 287 2227	MT-GLAZE 22K FA 1/16W
R6561	301 225 8110	MT-GLAZE 10 JA 1/16W	R7442	301 299 2410	MT-GLAZE 5.6K FA 1/16W
R6566	301 225 8110	MT-GLAZE 10 JA 1/16W	R7443	301 294 3115	MT-GLAZE 1K FA 1/16W
R6573	301 224 8913	MT-GLAZE 100K JA 1/16W	R7444	301 294 3016	MT-GLAZE 10K FA 1/16W
R6574	301 224 8913	MT-GLAZE 100K JA 1/16W	R7446	301 298 5412	MT-GLAZE 39K FA 1/16W
R6575	301 225 8110	MT-GLAZE 10 JA 1/16W	R7701	301 224 8913	MT-GLAZE 100K JA 1/16W
R6577	301 225 8110	MT-GLAZE 10 JA 1/16W	R7704	301 224 9019	MT-GLAZE 10K JA 1/16W
R6601	301 224 8913	MT-GLAZE 100K JA 1/16W	R7705	301 224 9019	MT-GLAZE 10K JA 1/16W
R6602	301 294 3016	MT-GLAZE 10K FA 1/16W	R7706	301 294 3511	MT-GLAZE 27K FA 1/16W
R6603	301 294 3511	MT-GLAZE 27K FA 1/16W	R7707	301 294 2811	MT-GLAZE 2.2K FA 1/16W
R6604	401 343 0512	MT-GLAZE 7.5K FA 1/16W	R7708	301 336 8818	MT-GLAZE 6.8K FA 1/16W
R6606	301 294 3016	MT-GLAZE 10K FA 1/16W	R7711	301 224 9019	MT-GLAZE 10K JA 1/16W
R6611	301 224 8913	MT-GLAZE 100K JA 1/16W	R7712	301 224 9019	MT-GLAZE 10K JA 1/16W
R6612	301 294 3016	MT-GLAZE 10K FA 1/16W	R7713	301 224 9316	MT-GLAZE 1K JA 1/16W
R6613	301 294 3511	MT-GLAZE 27K FA 1/16W	R7714	301 336 8818	MT-GLAZE 6.8K FA 1/16W
R6614	401 343 0512	MT-GLAZE 7.5K FA 1/16W	R7717	301 224 9019	MT-GLAZE 10K JA 1/16W
R6616	301 294 3016	MT-GLAZE 10K FA 1/16W	R7718	301 224 9316	MT-GLAZE 1K JA 1/16W

Electrical Parts List

Key No.	Part No.	Description	Key No.	Part No.	Description
R7721	301 224 8913	MT-GLAZE 100K JA 1/16W	R7881	301 261 1014	MT-GLAZE 2.4K JA 1/16W
R7724	301 224 9019	MT-GLAZE 10K JA 1/16W	R7882	301 294 3313	MT-GLAZE 15K FA 1/16W
R7725	301 224 9019	MT-GLAZE 10K JA 1/16W	R7883	301 287 2227	MT-GLAZE 22K FA 1/16W
R7726	301 294 3511	MT-GLAZE 27K FA 1/16W	R7884	301 224 9316	MT-GLAZE 1K JA 1/16W
R7727	301 294 2811	MT-GLAZE 2.2K FA 1/16W	R7886	301 224 9316	MT-GLAZE 1K JA 1/16W
R7728	301 336 8818	MT-GLAZE 6.8K FA 1/16W	R7888	301 261 1014	MT-GLAZE 2.4K JA 1/16W
R7731	301 224 9019	MT-GLAZE 10K JA 1/16W	R7889	301 226 1516	MT-GLAZE 0.000 ZA 1/16W
R7732	301 224 9019	MT-GLAZE 10K JA 1/16W	R7891	301 336 8818	MT-GLAZE 6.8K FA 1/16W
R7733	301 224 9316	MT-GLAZE 1K JA 1/16W	R7892	301 301 3718	MT-GLAZE 2K FA 1/16W
R7734	301 336 8818	MT-GLAZE 6.8K FA 1/16W	R7894	301 224 9019	MT-GLAZE 10K JA 1/16W
R7737	301 224 9019	MT-GLAZE 10K JA 1/16W	R7895	301 224 9316	MT-GLAZE 1K JA 1/16W
R7738	301 224 9316	MT-GLAZE 1K JA 1/16W	R7897	301 226 1516	MT-GLAZE 0.000 ZA 1/16W
R7781	301 336 8818	MT-GLAZE 6.8K FA 1/16W	R7898	301 226 1516	MT-GLAZE 0.000 ZA 1/16W
R7784	301 224 9316	MT-GLAZE 1K JA 1/16W	R7903	301 226 1516	MT-GLAZE 0.000 ZA 1/16W
R7785	301 294 3511	MT-GLAZE 27K FA 1/16W	R7904	301 226 1516	MT-GLAZE 0.000 ZA 1/16W
R7786	301 224 9316	MT-GLAZE 1K JA 1/16W	R7906	301 226 1516	MT-GLAZE 0.000 ZA 1/16W
R7787	301 294 3511	MT-GLAZE 27K FA 1/16W	R7907	301 226 1516	MT-GLAZE 0.000 ZA 1/16W
R7788	301 224 9019	MT-GLAZE 10K JA 1/16W	R7908	301 226 1516	MT-GLAZE 0.000 ZA 1/16W
R7789	301 294 3511	MT-GLAZE 27K FA 1/16W	R7909	301 226 1516	MT-GLAZE 0.000 ZA 1/16W
R7792	301 224 9019	MT-GLAZE 10K JA 1/16W	R7911	301 226 1516	MT-GLAZE 0.000 ZA 1/16W
R7793	301 224 9019	MT-GLAZE 10K JA 1/16W	R7912	301 226 1516	MT-GLAZE 0.000 ZA 1/16W
R7794	301 225 1210	MT-GLAZE 4.7K JA 1/16W	R7913	301 226 1516	MT-GLAZE 0.000 ZA 1/16W
R7796	301 224 9019	MT-GLAZE 10K JA 1/16W	R7914	301 226 1516	MT-GLAZE 0.000 ZA 1/16W
R7797	301 224 9019	MT-GLAZE 10K JA 1/16W	R7916	301 226 1516	MT-GLAZE 0.000 ZA 1/16W
R7798	301 224 9019	MT-GLAZE 10K JA 1/16W	R7917	301 226 1516	MT-GLAZE 0.000 ZA 1/16W
R7799	301 224 9316	MT-GLAZE 1K JA 1/16W	R7921	301 261 1014	MT-GLAZE 2.4K JA 1/16W
R7801	301 225 8110	MT-GLAZE 10 JA 1/16W	R7922	301 294 3313	MT-GLAZE 15K FA 1/16W
R7802	301 225 8110	MT-GLAZE 10 JA 1/16W	R7923	301 328 3913	MT-GLAZE 36K FA 1/16W
R7808	301 226 1516	MT-GLAZE 0.000 ZA 1/16W	R7924	301 224 9316	MT-GLAZE 1K JA 1/16W
R7809	301 226 1516	MT-GLAZE 0.000 ZA 1/16W	R7926	301 224 9316	MT-GLAZE 1K JA 1/16W
R7810	301 226 1516	MT-GLAZE 0.000 ZA 1/16W	R7928	301 299 4810	MT-GLAZE 2.7K FA 1/16W
R7816	301 226 1516	MT-GLAZE 0.000 ZA 1/16W	R7929	301 226 1516	MT-GLAZE 0.000 ZA 1/16W
R7817	301 226 1516	MT-GLAZE 0.000 ZA 1/16W	R7931	301 336 8818	MT-GLAZE 6.8K FA 1/16W
R7818	301 226 1516	MT-GLAZE 0.000 ZA 1/16W	R7932	301 301 3718	MT-GLAZE 2K FA 1/16W
R7821	301 261 1014	MT-GLAZE 2.4K JA 1/16W	R7934	301 224 9019	MT-GLAZE 10K JA 1/16W
R7822	301 294 3313	MT-GLAZE 15K FA 1/16W	R7935	301 224 9316	MT-GLAZE 1K JA 1/16W
R7823	301 328 3913	MT-GLAZE 36K FA 1/16W	R7937	301 226 1516	MT-GLAZE 0.000 ZA 1/16W
R7824	301 224 9316	MT-GLAZE 1K JA 1/16W	R7938	301 226 1516	MT-GLAZE 0.000 ZA 1/16W
R7826	301 224 9316	MT-GLAZE 1K JA 1/16W	R8001	301 226 1516	MT-GLAZE 0.000 ZA 1/16W
R7828	301 299 4810	MT-GLAZE 2.7K FA 1/16W	R8002	301 224 9415	MT-GLAZE 1M JA 1/16W
R7829	301 226 1516	MT-GLAZE 0.000 ZA 1/16W	R8006	301 225 1210	MT-GLAZE 4.7K JA 1/16W
R7831	301 336 8818	MT-GLAZE 6.8K FA 1/16W	R8008	301 225 1210	MT-GLAZE 4.7K JA 1/16W
R7832	301 301 3718	MT-GLAZE 2K FA 1/16W	R801	301 224 9019	MT-GLAZE 10K JA 1/16W
R7837	301 224 9019	MT-GLAZE 10K JA 1/16W	R8011	301 264 5316	MT-GLAZE 2.2 JA 1/10W
R7838	301 224 9316	MT-GLAZE 1K JA 1/16W	R8013	301 264 5316	MT-GLAZE 2.2 JA 1/10W
R7841	301 261 1014	MT-GLAZE 2.4K JA 1/16W	R8014	301 225 1210	MT-GLAZE 4.7K JA 1/16W
R7842	301 294 3313	MT-GLAZE 15K FA 1/16W	R8016	301 226 1516	MT-GLAZE 0.000 ZA 1/16W
R7843	301 294 3214	MT-GLAZE 47K FA 1/16W	R8018	301 225 1210	MT-GLAZE 4.7K JA 1/16W
R7844	301 224 9316	MT-GLAZE 1K JA 1/16W	R802	301 225 8110	MT-GLAZE 10 JA 1/16W
R7846	301 224 9316	MT-GLAZE 1K JA 1/16W	R8021	301 264 5316	MT-GLAZE 2.2 JA 1/10W
R7848	301 261 1014	MT-GLAZE 2.4K JA 1/16W	R8022	301 225 1210	MT-GLAZE 4.7K JA 1/16W
R7849	301 226 1516	MT-GLAZE 0.000 ZA 1/16W	R8023	301 226 1516	MT-GLAZE 0.000 ZA 1/16W
R7851	301 336 8818	MT-GLAZE 6.8K FA 1/16W	R8024	301 226 1516	MT-GLAZE 0.000 ZA 1/16W
R7852	301 301 3718	MT-GLAZE 2K FA 1/16W	R8033	301 225 0312	MT-GLAZE 33 JA 1/16W
R7855	301 224 9019	MT-GLAZE 10K JA 1/16W	R8034	301 225 8110	MT-GLAZE 10 JA 1/16W
R7856	301 224 9019	MT-GLAZE 10K JA 1/16W	R8037	301 225 8110	MT-GLAZE 10 JA 1/16W
R7857	301 224 9019	MT-GLAZE 10K JA 1/16W	R8038	301 225 0312	MT-GLAZE 33 JA 1/16W
R7858	301 224 9316	MT-GLAZE 1K JA 1/16W	R8039	301 225 0312	MT-GLAZE 33 JA 1/16W
R7861	301 261 1014	MT-GLAZE 2.4K JA 1/16W	R804	301 224 9019	MT-GLAZE 10K JA 1/16W
R7862	301 294 3313	MT-GLAZE 15K FA 1/16W	R8041	301 225 0312	MT-GLAZE 33 JA 1/16W
R7863	301 328 3913	MT-GLAZE 36K FA 1/16W	R8042	301 225 0312	MT-GLAZE 33 JA 1/16W
R7864	301 224 9316	MT-GLAZE 1K JA 1/16W	R8043	301 225 0312	MT-GLAZE 33 JA 1/16W
R7866	301 224 9316	MT-GLAZE 1K JA 1/16W	R8044	301 225 0312	MT-GLAZE 33 JA 1/16W
R7867	301 299 4810	MT-GLAZE 2.7K FA 1/16W	R8046	301 225 0312	MT-GLAZE 33 JA 1/16W
R7869	301 226 1516	MT-GLAZE 0.000 ZA 1/16W	R8047	301 225 0312	MT-GLAZE 33 JA 1/16W
R7871	301 336 8818	MT-GLAZE 6.8K FA 1/16W	R8048	301 225 0312	MT-GLAZE 33 JA 1/16W
R7872	301 301 3718	MT-GLAZE 2K FA 1/16W	R8049	301 225 0312	MT-GLAZE 33 JA 1/16W

Electrical Parts List

Key No.	Part No.	Description	Key No.	Part No.	Description
R805	301 224 9019	MT-GLAZE 10K JA 1/16W		945 036 3529	R-NETWORK 0X4 1/32W
R8052	301 224 9019	MT-GLAZE 10K JA 1/16W	RB1502	945 037 0817	R-NETWORK 0X4 1/16W
R8054	301 225 8011	MT-GLAZE 330 JA 1/16W		945 036 3529	R-NETWORK 0X4 1/32W
R8056	301 298 5511	MT-GLAZE 8.2K FA 1/16W	RB1503	945 037 0817	R-NETWORK 0X4 1/16W
R8057	301 259 7922	MT-GLAZE 5.1K JA 1/16W		945 036 3529	R-NETWORK 0X4 1/32W
R8058	301 294 3016	MT-GLAZE 10K FA 1/16W	RB1504	945 037 0817	R-NETWORK 0X4 1/16W
R8059	301 298 5412	MT-GLAZE 39K FA 1/16W		945 036 3529	R-NETWORK 0X4 1/32W
R806	301 294 4419	MT-GLAZE 1.8K JA 1/16W	RB1506	945 037 0817	R-NETWORK 0X4 1/16W
R8062	301 224 9019	MT-GLAZE 10K JA 1/16W		945 036 3529	R-NETWORK 0X4 1/32W
R8063	301 294 3016	MT-GLAZE 10K FA 1/16W	RB1507	945 037 0817	R-NETWORK 0X4 1/16W
R8065	301 298 5412	MT-GLAZE 39K FA 1/16W		945 036 3529	R-NETWORK 0X4 1/32W
R8066	301 294 2910	MT-GLAZE 560 FA 1/16W	RB1551	945 037 0817	R-NETWORK 0X4 1/16W
R8067	301 225 1210	MT-GLAZE 4.7K JA 1/16W		945 036 3529	R-NETWORK 0X4 1/32W
R8068	301 294 3016	MT-GLAZE 10K FA 1/16W	RB1552	945 037 0817	R-NETWORK 0X4 1/16W
R807	301 225 0213	MT-GLAZE 3.3K JA 1/16W		945 036 3529	R-NETWORK 0X4 1/32W
R8082	301 224 9019	MT-GLAZE 10K JA 1/16W	RB1553	945 037 0817	R-NETWORK 0X4 1/16W
R8083	301 224 9019	MT-GLAZE 10K JA 1/16W		945 036 3529	R-NETWORK 0X4 1/32W
R809	301 226 1516	MT-GLAZE 0.000 ZA 1/16W	RB1554	945 037 0817	R-NETWORK 0X4 1/16W
R8202	401 342 9219	MT-GLAZE 270 FA 1/16W		945 036 3529	R-NETWORK 0X4 1/32W
R8203	401 342 9219	MT-GLAZE 270 FA 1/16W	RB1556	945 037 0817	R-NETWORK 0X4 1/16W
R8204	401 342 9219	MT-GLAZE 270 FA 1/16W		945 036 3529	R-NETWORK 0X4 1/32W
R8206	401 342 9219	MT-GLAZE 270 FA 1/16W	RB1557	945 037 0817	R-NETWORK 0X4 1/16W
R821	301 226 1516	MT-GLAZE 0.000 ZA 1/16W		945 036 3529	R-NETWORK 0X4 1/32W
R8211	301 272 7814	MT-GLAZE 100 FA 1/16W	RB2201	945 049 0683	R-NETWORK 10X4 1/16W
R8212	301 272 7814	MT-GLAZE 100 FA 1/16W		645 049 0668	R-NETWORK 10X4 1/32W
R8213	301 226 5514	MT-GLAZE 120 JA 1/16W	RB2202	945 049 0683	R-NETWORK 10X4 1/16W
R8214	301 226 5514	MT-GLAZE 120 JA 1/16W		645 049 0668	R-NETWORK 10X4 1/32W
R8216	301 226 1516	MT-GLAZE 0.000 ZA 1/16W	RB2203	945 049 0683	R-NETWORK 10X4 1/16W
R8217	301 226 1516	MT-GLAZE 0.000 ZA 1/16W		645 049 0668	R-NETWORK 10X4 1/32W
R8218	301 226 1516	MT-GLAZE 0.000 ZA 1/16W	RB2204	945 049 0683	R-NETWORK 10X4 1/16W
R8219	301 263 7420	MT-GLAZE 75 JA 1/16W		645 049 0668	R-NETWORK 10X4 1/32W
R822	301 226 1516	MT-GLAZE 0.000 ZA 1/16W	RB2205	945 049 0683	R-NETWORK 10X4 1/16W
R823	301 226 1516	MT-GLAZE 0.000 ZA 1/16W		645 049 0668	R-NETWORK 10X4 1/32W
R8235	301 263 7420	MT-GLAZE 75 JA 1/16W	RB2206	945 049 0683	R-NETWORK 10X4 1/16W
R8265	301 226 1516	MT-GLAZE 0.000 ZA 1/16W		645 049 0668	R-NETWORK 10X4 1/32W
R8267	301 263 7420	MT-GLAZE 75 JA 1/16W	RB2207	945 049 0683	R-NETWORK 10X4 1/16W
R851	301 226 1516	MT-GLAZE 0.000 ZA 1/16W		645 049 0668	R-NETWORK 10X4 1/32W
R852	301 226 1516	MT-GLAZE 0.000 ZA 1/16W	RB2341	945 037 0824	R-NETWORK 22X4 1/16W
R853	301 226 1516	MT-GLAZE 0.000 ZA 1/16W		945 034 5051	R-NETWORK 22X4 1/32W
R854	301 226 1516	MT-GLAZE 0.000 ZA 1/16W	RB2342	945 037 0824	R-NETWORK 22X4 1/16W
R855	301 226 1516	MT-GLAZE 0.000 ZA 1/16W		945 034 5051	R-NETWORK 22X4 1/32W
R856	301 226 1516	MT-GLAZE 0.000 ZA 1/16W	RB2343	945 037 0824	R-NETWORK 22X4 1/16W
R857	301 226 1516	MT-GLAZE 0.000 ZA 1/16W		945 034 5051	R-NETWORK 22X4 1/32W
R858	301 226 1516	MT-GLAZE 0.000 ZA 1/16W	RB2344	945 037 0824	R-NETWORK 22X4 1/16W
R860	301 224 9316	MT-GLAZE 1K JA 1/16W		945 034 5051	R-NETWORK 22X4 1/32W
R874	301 226 1516	MT-GLAZE 0.000 ZA 1/16W	RB2345	945 037 0824	R-NETWORK 22X4 1/16W
RB1401	945 037 4372	R-NETWORK 220X4 1/16W		945 034 5051	R-NETWORK 22X4 1/32W
	945 047 6113	R-NETWORK 220X4 1/32W	RB2346	945 037 0824	R-NETWORK 22X4 1/16W
RB1402	945 037 4372	R-NETWORK 220X4 1/16W		945 034 5051	R-NETWORK 22X4 1/32W
	945 047 6113	R-NETWORK 220X4 1/32W	RB2357	945 037 0824	R-NETWORK 22X4 1/16W
RB1403	945 037 4372	R-NETWORK 220X4 1/16W		945 034 5051	R-NETWORK 22X4 1/32W
	945 047 6113	R-NETWORK 220X4 1/32W	RB2358	945 037 0824	R-NETWORK 22X4 1/16W
RB1404	945 037 4372	R-NETWORK 220X4 1/16W		945 034 5051	R-NETWORK 22X4 1/32W
	945 047 6113	R-NETWORK 220X4 1/32W	RB2359	945 037 0824	R-NETWORK 22X4 1/16W
RB1406	945 037 4372	R-NETWORK 220X4 1/16W		945 034 5051	R-NETWORK 22X4 1/32W
	945 047 6113	R-NETWORK 220X4 1/32W	RB2361	945 037 0824	R-NETWORK 22X4 1/16W
RB1407	945 037 4372	R-NETWORK 220X4 1/16W		945 034 5051	R-NETWORK 22X4 1/32W
	945 047 6113	R-NETWORK 220X4 1/32W	RB2362	945 037 0824	R-NETWORK 22X4 1/16W
RB1408	945 037 4372	R-NETWORK 220X4 1/16W		945 034 5051	R-NETWORK 22X4 1/32W
	945 047 6113	R-NETWORK 220X4 1/32W	RB2363	945 037 0824	R-NETWORK 22X4 1/16W
RB1409	945 037 4372	R-NETWORK 220X4 1/16W		945 034 5051	R-NETWORK 22X4 1/32W
	945 047 6113	R-NETWORK 220X4 1/32W	RB2501	945 037 0817	R-NETWORK 0X4 1/16W
RB1411	945 037 4372	R-NETWORK 220X4 1/16W		945 036 3529	R-NETWORK 0X4 1/32W
	945 047 6113	R-NETWORK 220X4 1/32W	RB2502	945 037 0817	R-NETWORK 0X4 1/16W
RB1412	945 037 4372	R-NETWORK 220X4 1/16W		945 036 3529	R-NETWORK 0X4 1/32W
	945 047 6113	R-NETWORK 220X4 1/32W	RB2503	945 037 0817	R-NETWORK 0X4 1/16W
RB1501	945 037 0817	R-NETWORK 0X4 1/16W		945 036 3529	R-NETWORK 0X4 1/32W

Electrical Parts List

Key No.	Part No.	Description	Key No.	Part No.	Description
RB411	945 037 0817	R-NETWORK 0X4 1/16W		945 036 0979	R-NETWORK 10KX4 1/32W
	945 036 3529	R-NETWORK 0X4 1/32W	RB501	945 037 0817	R-NETWORK 0X4 1/16W
RB412	945 037 0817	R-NETWORK 0X4 1/16W		945 036 3529	R-NETWORK 0X4 1/32W
	945 036 3529	R-NETWORK 0X4 1/32W	RB502	945 037 0817	R-NETWORK 0X4 1/16W
RB413	945 037 0817	R-NETWORK 0X4 1/16W		945 036 3529	R-NETWORK 0X4 1/32W
	945 036 3529	R-NETWORK 0X4 1/32W	RB503	945 037 0817	R-NETWORK 0X4 1/16W
RB414	945 037 0824	R-NETWORK 22X4 1/16W		945 036 3529	R-NETWORK 0X4 1/32W
	945 034 5051	R-NETWORK 22X4 1/32W	RB504	945 037 0817	R-NETWORK 0X4 1/16W
RB416	945 037 0824	R-NETWORK 22X4 1/16W		945 036 3529	R-NETWORK 0X4 1/32W
	945 034 5051	R-NETWORK 22X4 1/32W	RB506	945 037 0817	R-NETWORK 0X4 1/16W
RB417	945 037 0824	R-NETWORK 22X4 1/16W		945 036 3529	R-NETWORK 0X4 1/32W
	945 034 5051	R-NETWORK 22X4 1/32W	RB507	945 037 0817	R-NETWORK 0X4 1/16W
RB418	945 037 0824	R-NETWORK 22X4 1/16W		945 036 3529	R-NETWORK 0X4 1/32W
	945 034 5051	R-NETWORK 22X4 1/32W	RB5211	945 049 0690	R-NETWORK 33X4 1/16W
RB419	945 037 0824	R-NETWORK 22X4 1/16W		645 049 0675	R-NETWORK 33X4 1/32W
	945 034 5051	R-NETWORK 22X4 1/32W	RB5212	945 049 0690	R-NETWORK 33X4 1/16W
RB421	945 037 0824	R-NETWORK 22X4 1/16W		645 049 0675	R-NETWORK 33X4 1/32W
	945 034 5051	R-NETWORK 22X4 1/32W	RB5213	945 049 0690	R-NETWORK 33X4 1/16W
RB422	945 028 0710	R-NETWORK 10KX4 1/16W		645 049 0675	R-NETWORK 33X4 1/32W
	945 036 0979	R-NETWORK 10KX4 1/32W	RB5214	945 049 0690	R-NETWORK 33X4 1/16W
RB426	945 037 0824	R-NETWORK 22X4 1/16W		645 049 0675	R-NETWORK 33X4 1/32W
	945 034 5051	R-NETWORK 22X4 1/32W	RB5215	945 049 0690	R-NETWORK 33X4 1/16W
RB427	945 037 0824	R-NETWORK 22X4 1/16W		645 049 0675	R-NETWORK 33X4 1/32W
	945 034 5051	R-NETWORK 22X4 1/32W	RB5216	945 049 0690	R-NETWORK 33X4 1/16W
RB428	945 037 0824	R-NETWORK 22X4 1/16W		645 049 0675	R-NETWORK 33X4 1/32W
	945 034 5051	R-NETWORK 22X4 1/32W	RB551	945 037 0817	R-NETWORK 0X4 1/16W
RB429	945 037 0824	R-NETWORK 22X4 1/16W		945 036 3529	R-NETWORK 0X4 1/32W
	945 034 5051	R-NETWORK 22X4 1/32W	RB552	945 037 0817	R-NETWORK 0X4 1/16W
RB431	945 037 0824	R-NETWORK 22X4 1/16W		945 036 3529	R-NETWORK 0X4 1/32W
	945 034 5051	R-NETWORK 22X4 1/32W	RB553	945 037 0817	R-NETWORK 0X4 1/16W
RB433	945 037 0824	R-NETWORK 22X4 1/16W		945 036 3529	R-NETWORK 0X4 1/32W
	945 034 5051	R-NETWORK 22X4 1/32W	RB554	945 037 0817	R-NETWORK 0X4 1/16W
RB435	945 037 0824	R-NETWORK 22X4 1/16W		945 036 3529	R-NETWORK 0X4 1/32W
	945 034 5051	R-NETWORK 22X4 1/32W	RB556	945 037 0817	R-NETWORK 0X4 1/16W
RB436	945 037 0824	R-NETWORK 22X4 1/16W		945 036 3529	R-NETWORK 0X4 1/32W
	945 034 5051	R-NETWORK 22X4 1/32W	RB557	945 037 0817	R-NETWORK 0X4 1/16W
RB437	945 037 0824	R-NETWORK 22X4 1/16W		945 036 3529	R-NETWORK 0X4 1/32W
	945 034 5051	R-NETWORK 22X4 1/32W	RB8038	945 049 0690	R-NETWORK 33X4 1/16W
RB438	945 037 0824	R-NETWORK 22X4 1/16W		645 049 0675	R-NETWORK 33X4 1/32W
	945 034 5051	R-NETWORK 22X4 1/32W	RB8039	945 049 0690	R-NETWORK 33X4 1/16W
RB439	945 037 0824	R-NETWORK 22X4 1/16W		645 049 0675	R-NETWORK 33X4 1/32W
	945 034 5051	R-NETWORK 22X4 1/32W	RB8041	945 049 0690	R-NETWORK 33X4 1/16W
RB441	945 037 0824	R-NETWORK 22X4 1/16W		645 049 0675	R-NETWORK 33X4 1/32W
	945 034 5051	R-NETWORK 22X4 1/32W	RB8042	945 049 0690	R-NETWORK 33X4 1/16W
RB442	945 037 0824	R-NETWORK 22X4 1/16W		645 049 0675	R-NETWORK 33X4 1/32W
	945 034 5051	R-NETWORK 22X4 1/32W	RB8043	945 049 0690	R-NETWORK 33X4 1/16W
RB443	945 037 0824	R-NETWORK 22X4 1/16W		645 049 0675	R-NETWORK 33X4 1/32W
	945 034 5051	R-NETWORK 22X4 1/32W	RB8044	945 049 0690	R-NETWORK 33X4 1/16W
RB444	945 037 0824	R-NETWORK 22X4 1/16W		645 049 0675	R-NETWORK 33X4 1/32W
	945 034 5051	R-NETWORK 22X4 1/32W			
RB445	945 037 0824	R-NETWORK 22X4 1/16W	COIL		
	945 034 5051	R-NETWORK 22X4 1/32W	L1001	645 092 3494	IMPEDANCE,90 OHM P
RB446	945 037 0824	R-NETWORK 22X4 1/16W	L1002	645 092 3494	IMPEDANCE,90 OHM P
	945 034 5051	R-NETWORK 22X4 1/32W	L1003	645 092 3494	IMPEDANCE,90 OHM P
RB447	945 037 0824	R-NETWORK 22X4 1/16W	L1004	645 092 3494	IMPEDANCE,90 OHM P
	945 034 5051	R-NETWORK 22X4 1/32W	L1006	645 092 3494	IMPEDANCE,90 OHM P
RB448	945 037 0824	R-NETWORK 22X4 1/16W	L1007	645 092 3494	IMPEDANCE,90 OHM P
	945 034 5051	R-NETWORK 22X4 1/32W	L1008	645 092 3494	IMPEDANCE,90 OHM P
RB449	945 037 0824	R-NETWORK 22X4 1/16W	L1009	645 092 3494	IMPEDANCE,90 OHM P
	945 034 5051	R-NETWORK 22X4 1/32W	L1341	945 050 8449	IMPEDANCE,1000 OHM P
RB451	945 037 0824	R-NETWORK 22X4 1/16W	L1351	945 041 1978	INDUCTOR,330 OHM
	945 034 5051	R-NETWORK 22X4 1/32W	L1352	945 032 8344	INDUCTOR,39U J
RB452	945 037 0824	R-NETWORK 22X4 1/16W	L1391	945 086 6037	IMPEDANCE,330 OHM P
	945 034 5051	R-NETWORK 22X4 1/32W	L1501	945 086 6037	IMPEDANCE,330 OHM P
RB453	945 037 0824	R-NETWORK 22X4 1/16W	L1502	945 086 6037	IMPEDANCE,330 OHM P
	945 034 5051	R-NETWORK 22X4 1/32W	L1503	945 086 6037	IMPEDANCE,330 OHM P
RB4801	945 028 0710	R-NETWORK 10KX4 1/16W	L1504	945 086 6037	IMPEDANCE,330 OHM P

Electrical Parts List

Key No.	Part No.	Description	Key No.	Part No.	Description
L1506	945 086 6037	IMPEDANCE,330 OHM P	L506	945 086 6037	IMPEDANCE,330 OHM P
L1507	945 086 6037	IMPEDANCE,330 OHM P	L507	945 086 6037	IMPEDANCE,330 OHM P
L1511	301 150 6014	MT-GLAZE 0.000 ZA 1/10W	L511	301 150 6014	MT-GLAZE 0.000 ZA 1/10W
L1551	945 086 6037	IMPEDANCE,330 OHM P	L5267	645 092 3616	IMPEDANCE,22 OHM P
L1552	945 086 6037	IMPEDANCE,330 OHM P	L551	945 086 6037	IMPEDANCE,330 OHM P
L1553	945 086 6037	IMPEDANCE,330 OHM P	L552	945 086 6037	IMPEDANCE,330 OHM P
L1554	945 086 6037	IMPEDANCE,330 OHM P	L553	945 086 6037	IMPEDANCE,330 OHM P
L1556	945 086 6037	IMPEDANCE,330 OHM P	L554	945 086 6037	IMPEDANCE,330 OHM P
L1557	945 086 6037	IMPEDANCE,330 OHM P	L5541	645 092 3616	IMPEDANCE,22 OHM P
L2211	945 086 6037	IMPEDANCE,330 OHM P	L5542	645 092 3616	IMPEDANCE,22 OHM P
L2212	945 086 6037	IMPEDANCE,330 OHM P	L5543	645 092 3616	IMPEDANCE,22 OHM P
L2231	645 092 3616	IMPEDANCE,22 OHM P	L5544	645 092 3616	IMPEDANCE,22 OHM P
L2301	301 037 5017	MT-GLAZE 0.000 ZA 1/10W	L556	945 086 6037	IMPEDANCE,330 OHM P
L2302	301 037 5017	MT-GLAZE 0.000 ZA 1/10W	L557	945 086 6037	IMPEDANCE,330 OHM P
L2303	301 037 5017	MT-GLAZE 0.000 ZA 1/10W	L5601	945 075 1388	INDUCTOR,10U M
L2371	945 075 1388	INDUCTOR,10U M	L5602	945 086 6648	IMPEDANCE,220 OHM P
L2372	945 036 3895	INDUCTOR,220 OHM	L5603	945 086 6648	IMPEDANCE,220 OHM P
L2373	945 036 3895	INDUCTOR,220 OHM	L5631	945 086 6037	IMPEDANCE,330 OHM P
L2392	945 036 3895	INDUCTOR,220 OHM	L5642	945 086 6648	IMPEDANCE,220 OHM P
L2501	945 086 6037	IMPEDANCE,330 OHM P	L5643	945 086 6648	IMPEDANCE,220 OHM P
L2502	945 086 6037	IMPEDANCE,330 OHM P	L5651	945 075 1388	INDUCTOR,10U M
L2503	945 086 6037	IMPEDANCE,330 OHM P	L5661	945 086 6037	IMPEDANCE,330 OHM P
L2504	945 086 6037	IMPEDANCE,330 OHM P	L5674	645 048 5770	IMPEDANCE,33 OHM P
L2506	945 086 6037	IMPEDANCE,330 OHM P	L5686	645 048 5770	IMPEDANCE,33 OHM P
L2507	945 086 6037	IMPEDANCE,330 OHM P	L5801	301 226 1516	MT-GLAZE 0.000 ZA 1/16W
L2511	301 150 6014	MT-GLAZE 0.000 ZA 1/10W	L6402	945 075 1388	INDUCTOR,10U M
L2551	945 086 6037	IMPEDANCE,330 OHM P	L6404	945 036 3895	INDUCTOR,220 OHM
L2552	945 086 6037	IMPEDANCE,330 OHM P	L6405	945 036 3895	INDUCTOR,220 OHM
L2553	945 086 6037	IMPEDANCE,330 OHM P	L6511	645 092 3616	IMPEDANCE,22 OHM P
L2554	945 086 6037	IMPEDANCE,330 OHM P	L6512	645 092 3616	IMPEDANCE,22 OHM P
L2556	945 086 6037	IMPEDANCE,330 OHM P	L6513	645 092 3616	IMPEDANCE,22 OHM P
L2557	945 086 6037	IMPEDANCE,330 OHM P	L6514	645 092 3616	IMPEDANCE,22 OHM P
L311	945 050 8449	IMPEDANCE,1000 OHM P	L6515	645 092 3616	IMPEDANCE,22 OHM P
L312	945 050 8449	IMPEDANCE,1000 OHM P	L6516	301 226 1516	MT-GLAZE 0.000 ZA 1/16W
L316	945 050 8449	IMPEDANCE,1000 OHM P	L6517	301 226 1516	MT-GLAZE 0.000 ZA 1/16W
L321	945 050 8449	IMPEDANCE,1000 OHM P	L6518	301 226 1516	MT-GLAZE 0.000 ZA 1/16W
L326	945 050 8449	IMPEDANCE,1000 OHM P	L6519	301 226 1516	MT-GLAZE 0.000 ZA 1/16W
L3572	945 075 1388	INDUCTOR,10U M	L6601	945 075 1388	INDUCTOR,10U M
L3582	945 075 1388	INDUCTOR,10U M	L6603	945 037 4792	INDUCTOR,100U M
L361	945 050 8449	IMPEDANCE,1000 OHM P	L6611	945 075 1388	INDUCTOR,10U M
L363	945 050 8449	IMPEDANCE,1000 OHM P	L7431	945 086 6648	IMPEDANCE,220 OHM P
L366	945 050 8449	IMPEDANCE,1000 OHM P	L7432	945 079 1476	INDUCTOR,33U M
L368	945 050 8449	IMPEDANCE,1000 OHM P	L7701	945 037 4792	INDUCTOR,100U M
L371	945 050 8449	IMPEDANCE,1000 OHM P	L7702	945 086 6044	IMPEDANCE,470 OHM P
L372	945 086 6662	IMPEDANCE,600 OHM P	L7703	945 086 6044	IMPEDANCE,470 OHM P
L402	301 226 1516	MT-GLAZE 0.000 ZA 1/16W	L7721	945 037 4792	INDUCTOR,100U M
L403	301 226 1516	MT-GLAZE 0.000 ZA 1/16W	L8001	945 086 6037	IMPEDANCE,330 OHM P
L404	301 226 1516	MT-GLAZE 0.000 ZA 1/16W	L8003	945 086 6037	IMPEDANCE,330 OHM P
L406	301 226 1516	MT-GLAZE 0.000 ZA 1/16W	L8009	645 092 3616	IMPEDANCE,22 OHM P
L407	301 226 1516	MT-GLAZE 0.000 ZA 1/16W	L801	645 092 3494	IMPEDANCE,90 OHM P
L408	301 226 1516	MT-GLAZE 0.000 ZA 1/16W	L802	645 092 3494	IMPEDANCE,90 OHM P
L409	301 226 1516	MT-GLAZE 0.000 ZA 1/16W	L803	645 092 3494	IMPEDANCE,90 OHM P
L411	301 226 1516	MT-GLAZE 0.000 ZA 1/16W	L804	645 092 3494	IMPEDANCE,90 OHM P
L412	301 226 1516	MT-GLAZE 0.000 ZA 1/16W	L806	645 092 3494	IMPEDANCE,90 OHM P
L413	301 226 1516	MT-GLAZE 0.000 ZA 1/16W	L812	645 092 3616	IMPEDANCE,22 OHM P
L414	301 226 1516	MT-GLAZE 0.000 ZA 1/16W	L817	645 092 3616	IMPEDANCE,22 OHM P
L416	301 226 1516	MT-GLAZE 0.000 ZA 1/16W	L818	645 092 3616	IMPEDANCE,22 OHM P
L417	301 226 1516	MT-GLAZE 0.000 ZA 1/16W	L821	645 092 3616	IMPEDANCE,22 OHM P
L418	301 226 1516	MT-GLAZE 0.000 ZA 1/16W	L822	645 092 3616	IMPEDANCE,22 OHM P
L419	301 226 1516	MT-GLAZE 0.000 ZA 1/16W	L823	645 092 3616	IMPEDANCE,22 OHM P
L421	301 226 1516	MT-GLAZE 0.000 ZA 1/16W	L824	645 092 3616	IMPEDANCE,22 OHM P
L423	301 150 6014	MT-GLAZE 0.000 ZA 1/10W	L8291	945 050 8449	IMPEDANCE,1000 OHM P
L4803	945 041 1978	INDUCTOR,330 OHM	L8295	945 050 8449	IMPEDANCE,1000 OHM P
L501	945 086 6037	IMPEDANCE,330 OHM P	DIODE		
L502	945 086 6037	IMPEDANCE,330 OHM P	D1001	307 254 4116	ZENER DIODE RSB6.8CS T2R
L503	945 086 6037	IMPEDANCE,330 OHM P	D1002	307 254 4116	ZENER DIODE RSB6.8CS T2R
L504	945 086 6037	IMPEDANCE,330 OHM P			

Electrical Parts List

Key No.	Part No.	Description	Key No.	Part No.	Description
D1802	407 273 8116	ZD DIODE DZ2J062M0L	TPOG2	645 059 7695	TERMINAL,EARTH
D1861	407 273 8116	ZD DIODE DZ2J062M0L	TPOG3	645 059 7695	TERMINAL,EARTH
D1862	407 273 8116	ZD DIODE DZ2J062M0L	TPOG5	645 059 7695	TERMINAL,EARTH
D201	307 190 4119	DIODE SFPL-52V	TPOG6	645 059 7695	TERMINAL,EARTH
D5503	407 273 8116	ZD DIODE DZ2J062M0L	TPOG7	645 059 7695	TERMINAL,EARTH
D5523	407 273 8116	ZD DIODE DZ2J062M0L	TPOG9	645 059 7695	TERMINAL,EARTH
D5541	307 190 4119	DIODE SFPL-52V	K10D	945 077 1058	SOCKET,IF(HDMI) 19P
D5542	307 190 4119	DIODE SFPL-52V	SC1001	945 076 3503	SURGE-ABSORBER
D5543	307 190 4119	DIODE SFPL-52V	SC1002	945 076 3503	SURGE-ABSORBER
D5544	307 190 4119	DIODE SFPL-52V	SW301	945 026 2792	SWITCH,PUSH 1P-1TX1
D5563	407 273 8215	ZD DIODE DZ2J068M0L	SW302	945 026 2792	SWITCH,PUSH 1P-1TX1
D5606	307 254 4116	ZENER DIODE RSB6.8CS T2R	X1351	945 088 7179	OSC,CRYSTAL 27.0MHZ
D5646	307 254 4116	ZENER DIODE RSB6.8CS T2R	X2201	945 076 2407	OSC,CRYSTAL 25.000MHZ
D5801	407 273 8116	ZD DIODE DZ2J062M0L	X2331	945 088 7179	OSC,CRYSTAL 27.0MHZ
D5850	407 273 8116	ZD DIODE DZ2J062M0L	X3401	645 103 9279	OSC,CRYSTAL 82.0MHZ
D5851	407 273 8116	ZD DIODE DZ2J062M0L	X401	645 101 8625	OSC,CRYSTAL 33.3333MHZ
D5852	407 273 8116	ZD DIODE DZ2J062M0L	X4801	645 092 8857	OSC,CRYSTAL 48MHZ
D5853	407 273 8116	ZD DIODE DZ2J062M0L	X8001	945 088 7179	OSC,CRYSTAL 27.0MHZ
D5854	407 273 8116	ZD DIODE DZ2J062M0L			
D5856	407 273 8116	ZD DIODE DZ2J062M0L			
D6503	407 273 8413	ZD DIODE DZ2J130M0L			
D6523	407 273 8413	ZD DIODE DZ2J130M0L			
D6601	307 254 4116	ZENER DIODE RSB6.8CS T2R			
D6611	307 254 4116	ZENER DIODE RSB6.8CS T2R			
D7431	307 254 2716	DIODE CMS16			
D7702	307 163 0414	DIODE 1SS352-(TPH3)			
D7703	307 163 0414	DIODE 1SS352-(TPH3)			
D7722	307 163 0414	DIODE 1SS352-(TPH3)			
D7723	307 163 0414	DIODE 1SS352-(TPH3)			
D7822	307 163 0414	DIODE 1SS352-(TPH3)			
D7823	307 163 0414	DIODE 1SS352-(TPH3)			
D7842	307 163 0414	DIODE 1SS352-(TPH3)			
D7843	307 163 0414	DIODE 1SS352-(TPH3)			
D7851	307 163 0414	DIODE 1SS352-(TPH3)			
D7852	307 163 0414	DIODE 1SS352-(TPH3)			
D7853	307 163 0414	DIODE 1SS352-(TPH3)			
D7854	307 163 0414	DIODE 1SS352-(TPH3)			
D7856	307 163 0414	DIODE 1SS352-(TPH3)			
D7857	307 163 0414	DIODE 1SS352-(TPH3)			
D7858	307 163 0414	DIODE 1SS352-(TPH3)			
D7863	307 163 0414	DIODE 1SS352-(TPH3)			
D7866	307 225 0215	DIODE RB751S-40			
D7867	307 163 0414	DIODE 1SS352-(TPH3)			
D7891	307 163 0414	DIODE 1SS352-(TPH3)			
D7892	307 163 0414	DIODE 1SS352-(TPH3)			
D7922	307 163 0414	DIODE 1SS352-(TPH3)			
D7923	307 163 0414	DIODE 1SS352-(TPH3)			
D851	407 273 8116	ZD DIODE DZ2J062M0L			
D852	407 273 8116	ZD DIODE DZ2J062M0L			
D853	407 273 8116	ZD DIODE DZ2J062M0L			
D854	407 273 8116	ZD DIODE DZ2J062M0L			
D855	407 273 8116	ZD DIODE DZ2J062M0L			
D856	407 273 8116	ZD DIODE DZ2J062M0L			
D857	407 273 8116	ZD DIODE DZ2J062M0L			
MISCELLANEOUS					
IC1802	407 267 7415	SENSOR HSPPAR003C			
TPOG1	645 059 7695	TERMINAL,EARTH			
TPOG10	645 059 7695	TERMINAL,EARTH			
TPOG11	645 059 7695	TERMINAL,EARTH			
TPOG12	645 059 7695	TERMINAL,EARTH			
TPOG13	645 059 7695	TERMINAL,EARTH			
TPOG14	645 059 7695	TERMINAL,EARTH			
TPOG15	645 059 7695	TERMINAL,EARTH			
TPOG16	645 059 7695	TERMINAL,EARTH			
TPOG17	645 059 7695	TERMINAL,EARTH			
TPOG19	645 059 7695	TERMINAL,EARTH			
			A100	610 356 7013	ASSY,PWB,A/V KY2AL
			TRANSISTOR		
			Q1001	305 217 4913	TR RN1111 TE85L
			Q1002	305 217 4913	TR RN1111 TE85L
			Q1003	305 217 4913	TR RN1111 TE85L
			Q1004	305 015 8727	TR 2SC2812-L6-TB
				305 014 4512	TR 2SC2412K T146 R
				305 014 4611	TR 2SC2412K T146 S
				305 015 8925	TR 2SC2812-L7-TB
				305 163 1615	TR 2SC2812N-L6-TB0
				305 173 9915	TR 2SC3928A1S
			Q1008	305 015 8727	TR 2SC2812-L6-TB
				305 014 4512	TR 2SC2412K T146 R
				305 014 4611	TR 2SC2412K T146 S
				305 015 8925	TR 2SC2812-L7-TB
				305 163 1615	TR 2SC2812N-L6-TB0
				305 173 9915	TR 2SC3928A1S
			Q1009	305 147 2218	TR 2SA1037AK-S-T146
				405 220 3016	TR ISA1235AC1F
				305 134 5928	TR 2SA1037AK-T146-R
				405 220 3115	TR ISA1235AC1E
				305 173 9717	TR 2SA1235A1F
				305 173 9618	TR 2SA1235A1E
			Q1011	305 147 2218	TR 2SA1037AK-S-T146
				405 220 3016	TR ISA1235AC1F
				305 134 5928	TR 2SA1037AK-T146-R
				405 220 3115	TR ISA1235AC1E
				305 173 9717	TR 2SA1235A1F
				305 173 9618	TR 2SA1235A1E
			Q1012	305 015 8727	TR 2SC2812-L6-TB
				305 014 4512	TR 2SC2412K T146 R
				305 014 4611	TR 2SC2412K T146 S
				305 015 8925	TR 2SC2812-L7-TB
				305 163 1615	TR 2SC2812N-L6-TB0
				305 173 9915	TR 2SC3928A1S
			Q1014	305 015 8727	TR 2SC2812-L6-TB
				305 014 4512	TR 2SC2412K T146 R
				305 014 4611	TR 2SC2412K T146 S
				305 015 8925	TR 2SC2812-L7-TB
				305 163 1615	TR 2SC2812N-L6-TB0
				305 173 9915	TR 2SC3928A1S
			Q1015	305 015 8727	TR 2SC2812-L6-TB
				305 014 4512	TR 2SC2412K T146 R
				305 014 4611	TR 2SC2412K T146 S
				305 015 8925	TR 2SC2812-L7-TB
				305 163 1615	TR 2SC2812N-L6-TB0

Electrical Parts List

Key No.	Part No.	Description	Key No.	Part No.	Description
Q1016	305 173 9915	TR 2SC3928A1S	C1020	303 367 0410	CERAMIC 0.1U K 50V
	305 015 8727	TR 2SC2812-L6-TB	C1021	303 387 6515	ELECT 47U M 16V
	305 014 4512	TR 2SC2412K T146 R		303 398 4111	ELECT 47U M 16V
	305 014 4611	TR 2SC2412K T146 S	C1022	303 358 8319	CERAMIC 1U K 10V
	305 015 8925	TR 2SC2812-L7-TB	C1023	303 367 0410	CERAMIC 0.1U K 50V
	305 163 1615	TR 2SC2812N-L6-TB0	C1024	303 367 0410	CERAMIC 0.1U K 50V
	305 173 9915	TR 2SC3928A1S	C1025	303 367 0410	CERAMIC 0.1U K 50V
	305 217 4913	TR RN1111 TE85L	C1026	303 157 3614	CERAMIC 100P J 50V
	305 217 4913	TR RN1111 TE85L	C1027	303 367 0410	CERAMIC 0.1U K 50V
	305 217 4913	TR RN1111 TE85L	C1028	303 233 3811	CERAMIC 10P C 50V
Q2001	305 217 4913	TR RN1111 TE85L	C1029	303 367 0410	CERAMIC 0.1U K 50V
Q2002	305 217 4913	TR RN1111 TE85L	C1031	303 367 0410	CERAMIC 0.1U K 50V
Q2003	305 217 4913	TR RN1111 TE85L	C1032	303 155 2213	CERAMIC 3300P K 50V
Q2082	305 217 4913	TR RN1111 TE85L	C1033	303 379 6714	CERAMIC 10U K 16V
Q2801	305 015 8727	TR 2SC2812-L6-TB	C1034	303 233 3811	CERAMIC 10P C 50V
	305 014 4512	TR 2SC2412K T146 R	C1036	303 367 0410	CERAMIC 0.1U K 50V
	305 014 4611	TR 2SC2412K T146 S	C1037	303 367 0410	CERAMIC 0.1U K 50V
	305 015 8925	TR 2SC2812-L7-TB	C1038	303 367 0410	CERAMIC 0.1U K 50V
	305 163 1615	TR 2SC2812N-L6-TB0	C1039	303 355 9913	CERAMIC 2.2U K 10V
	305 173 9915	TR 2SC3928A1S	C1041	303 355 9913	CERAMIC 2.2U K 10V
	305 015 8727	TR 2SC2812-L6-TB	C1042	303 358 8319	CERAMIC 1U K 10V
	305 014 4512	TR 2SC2412K T146 R	C1043	303 348 5826	CERAMIC 0.47U K 10V
	305 014 4611	TR 2SC2412K T146 S	C1044	303 355 9913	CERAMIC 2.2U K 10V
	305 015 8925	TR 2SC2812-L7-TB	C1046	303 358 8319	CERAMIC 1U K 10V
Q3001	305 163 1615	TR 2SC2812N-L6-TB0	C1047	303 367 0410	CERAMIC 0.1U K 50V
	305 173 9915	TR 2SC3928A1S	C1048	303 157 3614	CERAMIC 100P J 50V
	305 015 8727	TR 2SC2812-L6-TB	C1055	303 420 4812	CERAMIC 10U K 10V
	305 014 4512	TR 2SC2412K T146 R	C1057	303 367 0410	CERAMIC 0.1U K 50V
	305 014 4611	TR 2SC2412K T146 S	C1058	303 367 0410	CERAMIC 0.1U K 50V
	305 015 8925	TR 2SC2812-L7-TB	C1059	303 367 0410	CERAMIC 0.1U K 50V
	305 163 1615	TR 2SC2812N-L6-TB0	C1061	303 367 0410	CERAMIC 0.1U K 50V
	305 173 9915	TR 2SC3928A1S	C1091	303 420 4812	CERAMIC 10U K 10V
	305 015 8727	TR 2SC2812-L6-TB	C1093	303 367 0410	CERAMIC 0.1U K 50V
	305 014 4512	TR 2SC2412K T146 R	C1894	303 367 0410	CERAMIC 0.1U K 50V
Q3002	305 014 4611	TR 2SC2412K T146 S	C1895	303 367 0410	CERAMIC 0.1U K 50V
	305 015 8925	TR 2SC2812-L7-TB	C1898	303 367 0410	CERAMIC 0.1U K 50V
	305 163 1615	TR 2SC2812N-L6-TB0	C2001	303 367 0410	CERAMIC 0.1U K 50V
	305 173 9915	TR 2SC3928A1S	C2002	303 367 0410	CERAMIC 0.1U K 50V
	305 015 8727	TR 2SC2812-L6-TB	C2003	303 367 0410	CERAMIC 0.1U K 50V
	305 014 4512	TR 2SC2412K T146 R	C2004	303 367 0410	CERAMIC 0.1U K 50V
	305 014 4611	TR 2SC2412K T146 S	C2006	303 367 0410	CERAMIC 0.1U K 50V
	305 015 8925	TR 2SC2812-L7-TB	C2007	303 367 0410	CERAMIC 0.1U K 50V
	305 163 1615	TR 2SC2812N-L6-TB0	C2008	303 367 0410	CERAMIC 0.1U K 50V
	305 173 9915	TR 2SC3928A1S	C2009	303 367 0410	CERAMIC 0.1U K 50V
Q4001	305 217 4913	TR RN1111 TE85L	C2011	303 367 0410	CERAMIC 0.1U K 50V
Q8341	305 217 4913	TR RN1111 TE85L	C2081	303 367 0410	CERAMIC 0.1U K 50V
Q8342	305 217 4913	TR RN1111 TE85L	C2821	303 358 8319	CERAMIC 1U K 10V
INTEGRATED CIRCUIT			C2822	303 387 6515	ELECT 47U M 16V
IC1002	309 434 8112	IC TC4053BFT-(EL)		303 398 4111	ELECT 47U M 16V
IC1003	310 517 6809	IC TC74LVX4053FT	C2823	303 157 4215	CERAMIC 220P J 50V
IC1004	309 462 0327	IC 24LC21AT/SN	C2824	303 367 0410	CERAMIC 0.1U K 50V
IC1005	309 400 7118	IC TC7W53FU-(TE12L)	C3001	303 367 0410	CERAMIC 0.1U K 50V
IC1006	309 400 7118	IC TC7W53FU-(TE12L)	C3002	303 420 4812	CERAMIC 10U K 10V
IC1007	309 461 7317	IC AD8057ARTZ-REEL7	C3003	303 367 0410	CERAMIC 0.1U K 50V
IC1008	309 461 7317	IC AD8057ARTZ-REEL7	C3004	303 367 0410	CERAMIC 0.1U K 50V
IC1009	309 461 7317	IC AD8057ARTZ-REEL7	C3801	303 358 8319	CERAMIC 1U K 10V
IC1011	309 484 2016	IC BA7078AF-E2	C3802	303 358 8319	CERAMIC 1U K 10V
IC1012	309 400 7118	IC TC7W53FU-(TE12L)	C3803	303 358 8319	CERAMIC 1U K 10V
IC1013	309 400 7118	IC TC7W53FU-(TE12L)	C3804	303 358 8319	CERAMIC 1U K 10V
IC1014	309 558 7213	IC 24C02CT-I/SNG	C3806	303 358 8319	CERAMIC 1U K 10V
IC1882	309 644 3310	IC MXA2500EL	C4001	303 367 0410	CERAMIC 0.1U K 50V
IC2001	309 470 2617	IC AD8183ARUZ-REEL7	C4002	303 367 0410	CERAMIC 0.1U K 50V
IC3801	309 652 0714	IC HIN202EIBNZ-T	C4003	303 367 0410	CERAMIC 0.1U K 50V
IC4001	309 536 5613	IC AD8075ARUZ-REEL	C4004	303 367 0410	CERAMIC 0.1U K 50V
IC4002	310 348 7501	IC TC7WT241FU(TE12L)	C4006	303 367 0410	CERAMIC 0.1U K 50V
IC5001	309 470 2617	IC AD8183ARUZ-REEL7	C4007	303 420 4812	CERAMIC 10U K 10V
IC8301	410 735 4806	IC AX11005LF-KY2AL	C4008	303 367 0410	CERAMIC 0.1U K 50V
IC8341	409 701 2918	IC R1173H001B			
IC8342	410 647 7902	IC MCP103T-300			
CAPACITOR					
C1001	303 367 0410	CERAMIC 0.1U K 50V			
C1002	303 367 0410	CERAMIC 0.1U K 50V			
C1003	303 367 0410	CERAMIC 0.1U K 50V			
C1004	303 367 0410	CERAMIC 0.1U K 50V			
C1005	303 367 0410	CERAMIC 0.1U K 50V			
C1006	303 367 0410	CERAMIC 0.1U K 50V			
C1007	303 367 0410	CERAMIC 0.1U K 50V			
C1016	303 367 0410	CERAMIC 0.1U K 50V			
C1017	303 367 0410	CERAMIC 0.1U K 50V			
C1018	303 153 9115	CERAMIC 5P C 50V			
C1019	303 284 4317	CERAMIC 0.022U K 50V			

Electrical Parts List

Key No.	Part No.	Description	Key No.	Part No.	Description
R2012	301 150 5918	MT-GLAZE 10K JA 1/10W	R8306	301 256 6314	MT-GLAZE 47K JA 1/10W
R2018	301 255 6513	MT-GLAZE 100 JA 1/10W	R8307	301 256 6314	MT-GLAZE 47K JA 1/10W
R2019	301 255 6513	MT-GLAZE 100 JA 1/10W	R8308	301 162 3711	MT-GLAZE 4.7K JA 1/10W
R2020	301 255 6513	MT-GLAZE 100 JA 1/10W	R8309	301 256 6314	MT-GLAZE 47K JA 1/10W
R2021	301 255 6513	MT-GLAZE 100 JA 1/10W	R8311	301 256 6314	MT-GLAZE 47K JA 1/10W
R2029	301 255 6513	MT-GLAZE 100 JA 1/10W	R8312	301 150 6014	MT-GLAZE 0.000 ZA 1/10W
R2035	301 150 5819	MT-GLAZE 100K JA 1/10W	R8313	301 256 6314	MT-GLAZE 47K JA 1/10W
R2036	301 150 5819	MT-GLAZE 100K JA 1/10W	R8314	301 162 3711	MT-GLAZE 4.7K JA 1/10W
R2038	301 255 6513	MT-GLAZE 100 JA 1/10W	R8316	301 256 6314	MT-GLAZE 47K JA 1/10W
R2039	301 255 6513	MT-GLAZE 100 JA 1/10W	R8317	301 255 6018	MT-GLAZE 1M JA 1/10W
R2083	301 162 3018	MT-GLAZE 22K JA 1/10W	R8318	301 339 9515	MT-GLAZE 12.1K FA 1/10W
R2084	301 162 3018	MT-GLAZE 22K JA 1/10W	R8319	301 162 3711	MT-GLAZE 4.7K JA 1/10W
R2085	301 255 8111	MT-GLAZE 5.1K JA 1/10W	R8321	301 162 3711	MT-GLAZE 4.7K JA 1/10W
R2086	301 150 5918	MT-GLAZE 10K JA 1/10W	R8322	301 150 6014	MT-GLAZE 0.000 ZA 1/10W
R2821	301 260 4016	MT-GLAZE 68 JA 1/3W	R8326	301 162 3711	MT-GLAZE 4.7K JA 1/10W
R2823	301 255 6513	MT-GLAZE 100 JA 1/10W	R8327	301 162 3711	MT-GLAZE 4.7K JA 1/10W
R2824	301 255 6513	MT-GLAZE 100 JA 1/10W	R8328	301 162 3711	MT-GLAZE 4.7K JA 1/10W
R2826	301 150 5918	MT-GLAZE 10K JA 1/10W	R8329	301 150 6014	MT-GLAZE 0.000 ZA 1/10W
R2827	301 255 6513	MT-GLAZE 100 JA 1/10W	R8332	301 162 3711	MT-GLAZE 4.7K JA 1/10W
R2828	301 255 8111	MT-GLAZE 5.1K JA 1/10W	R8343	301 150 5918	MT-GLAZE 10K JA 1/10W
R2829	301 150 5918	MT-GLAZE 10K JA 1/10W	R8344	301 264 1912	MT-GLAZE 10K FA 1/10W
R2831	301 150 6212	MT-GLAZE 1K JA 1/10W	R8346	301 264 1813	MT-GLAZE 1K FA 1/10W
R2832	301 162 2219	MT-GLAZE 10 JA 1/10W	R8347	301 264 6610	MT-GLAZE 22K FA 1/10W
R3001	301 258 2611	MT-GLAZE 150 FA 1/10W	R8348	301 264 1912	MT-GLAZE 10K FA 1/10W
R3002	301 258 2611	MT-GLAZE 150 FA 1/10W	R8349	301 265 0419	MT-GLAZE 39K FA 1/10W
R3003	301 258 2611	MT-GLAZE 150 FA 1/10W	R8351	301 311 3319	MT-GLAZE 49.9 FA 1/10W
R3004	301 258 2611	MT-GLAZE 150 FA 1/10W	R8352	301 311 3319	MT-GLAZE 49.9 FA 1/10W
R3005	301 258 2611	MT-GLAZE 150 FA 1/10W	R8353	301 311 3319	MT-GLAZE 49.9 FA 1/10W
R3006	301 258 2611	MT-GLAZE 150 FA 1/10W	R8354	301 311 3319	MT-GLAZE 49.9 FA 1/10W
R3007	301 258 2611	MT-GLAZE 150 FA 1/10W	R8355	301 255 8111	MT-GLAZE 5.1K JA 1/10W
R3008	301 258 2611	MT-GLAZE 150 FA 1/10W	R8356	301 150 5918	MT-GLAZE 10K JA 1/10W
R3009	301 258 2611	MT-GLAZE 150 FA 1/10W	R8357	301 150 6014	MT-GLAZE 0.000 ZA 1/10W
R3010	301 258 2611	MT-GLAZE 150 FA 1/10W	R8358	301 150 6014	MT-GLAZE 0.000 ZA 1/10W
R3011	301 162 2219	MT-GLAZE 10 JA 1/10W	R8359	301 150 6014	MT-GLAZE 0.000 ZA 1/10W
R3012	301 162 2219	MT-GLAZE 10 JA 1/10W	R8361	301 150 6014	MT-GLAZE 0.000 ZA 1/10W
R3013	301 255 6513	MT-GLAZE 100 JA 1/10W	R8362	301 152 3219	MT-GLAZE 330 JA 1/10W
R3014	301 255 6513	MT-GLAZE 100 JA 1/10W	R8363	301 152 3219	MT-GLAZE 330 JA 1/10W
R3015	301 255 6513	MT-GLAZE 100 JA 1/10W	R8371	301 150 5918	MT-GLAZE 10K JA 1/10W
R3017	301 150 6212	MT-GLAZE 1K JA 1/10W	R8381	301 255 6018	MT-GLAZE 1M JA 1/10W
R3018	301 256 6314	MT-GLAZE 47K JA 1/10W	R8382	301 255 6018	MT-GLAZE 1M JA 1/10W
R3019	301 256 5317	MT-GLAZE 56K JA 1/10W	R8383	301 162 3711	MT-GLAZE 4.7K JA 1/10W
R3020	301 150 6212	MT-GLAZE 1K JA 1/10W	R8384	301 162 3711	MT-GLAZE 4.7K JA 1/10W
R3021	301 256 6314	MT-GLAZE 47K JA 1/10W	R8385	301 162 3711	MT-GLAZE 4.7K JA 1/10W
R3022	301 256 5317	MT-GLAZE 56K JA 1/10W	R8386	301 162 3711	MT-GLAZE 4.7K JA 1/10W
R3801	301 255 6513	MT-GLAZE 100 JA 1/10W	R8387	301 162 3711	MT-GLAZE 4.7K JA 1/10W
R3802	301 255 6513	MT-GLAZE 100 JA 1/10W	R8388	301 162 3711	MT-GLAZE 4.7K JA 1/10W
R3803	301 150 6014	MT-GLAZE 0.000 ZA 1/10W	R8389	301 162 3711	MT-GLAZE 4.7K JA 1/10W
R3804	301 150 6014	MT-GLAZE 0.000 ZA 1/10W	R8390	301 162 3711	MT-GLAZE 4.7K JA 1/10W
R3806	301 255 6513	MT-GLAZE 100 JA 1/10W	R8391	301 162 3711	MT-GLAZE 4.7K JA 1/10W
R3807	301 255 6513	MT-GLAZE 100 JA 1/10W	R8392	301 162 3711	MT-GLAZE 4.7K JA 1/10W
R3808	301 150 5918	MT-GLAZE 10K JA 1/10W	R8393	301 162 3711	MT-GLAZE 4.7K JA 1/10W
R4001	301 265 4912	MT-GLAZE 75 FA 1/10W	R8394	301 162 3711	MT-GLAZE 4.7K JA 1/10W
R4002	301 265 4912	MT-GLAZE 75 FA 1/10W	R8395	301 162 3711	MT-GLAZE 4.7K JA 1/10W
R4003	301 265 4912	MT-GLAZE 75 FA 1/10W	R8396	301 162 3711	MT-GLAZE 4.7K JA 1/10W
R4004	301 265 4912	MT-GLAZE 75 FA 1/10W	R8397	301 162 3711	MT-GLAZE 4.7K JA 1/10W
R4006	301 265 4912	MT-GLAZE 75 FA 1/10W	R8398	301 162 3711	MT-GLAZE 4.7K JA 1/10W
R4009	301 150 6014	MT-GLAZE 0.000 ZA 1/10W	R8399	301 256 6314	MT-GLAZE 47K JA 1/10W
R4011	301 255 6513	MT-GLAZE 100 JA 1/10W			
R4012	301 150 5918	MT-GLAZE 10K JA 1/10W			
R5011	301 255 6513	MT-GLAZE 100 JA 1/10W	COIL		
R5012	301 256 5614	MT-GLAZE 47 JA 1/10W	L1007	945 004 6644	INDUCTOR,220 OHM
R5013	301 255 6513	MT-GLAZE 100 JA 1/10W	L1009	945 059 2240	INDUCTOR,2.2U M
R5014	301 256 5614	MT-GLAZE 47 JA 1/10W	L1011	645 092 3494	IMPEDANCE,90 OHM P
R5015	301 255 6513	MT-GLAZE 100 JA 1/10W	L1012	645 092 3494	IMPEDANCE,90 OHM P
R5016	301 256 5614	MT-GLAZE 47 JA 1/10W	L1013	645 092 3494	IMPEDANCE,90 OHM P
R8301	301 150 6014	MT-GLAZE 0.000 ZA 1/10W	L1014	645 092 3494	IMPEDANCE,90 OHM P
R8302	301 150 6014	MT-GLAZE 0.000 ZA 1/10W	L1015	945 004 6644	INDUCTOR,220 OHM
			L2007	301 253 3712	MT-GLAZE 0.000 ZA 1/4W

Electrical Parts List

Key No. Part No. Description	Key No. Part No. Description

EIKI

A-key to better communications

Diagrams & Drawings

Schematic Diagrams Printed Wiring Board Drawings

Model	Chassis No.
LC-HDT700	KY2-HDT70000

These schematic diagrams and printed wiring board drawings are part of the service manual original for chassis No. KY2-HDT70000 model LC-HDT700. File with the service manual No. SM5111372-00

Note:

All the information of part numbers and values indicated on these diagrams are at the beginning of production. To improve the performance, there may be some differences to the actual set. When you order the service parts, use service parts code mentioned on the parts list in this service manual.

Parts description and reading in schematic diagram

1. The parts specification of resistors, capacitors and coils are expressed in designated code. Please check the parts description by the following code table.
2. Some of transistors and diodes are indicated in mark for the substitution of parts name. Please check the parts name by the following code table.
3. Voltages and waveforms were taken with a video color bar signal (1Vp-p at 75 ohms terminated) and controls to normal.
4. Voltages were taken with a high-impedance digital voltmeter.

Capacitor Reading

Example 2000 K K 1000 BG

Example 160 E M 10

Characteristic

Capacitance value
Excepting electric capacitors, all capacitance values of less than 1 are expressed in μF and more than 1 are in pF.

Tolerance

Type

Rated voltage

Material table

Mark	Material
E	Electrolytic
P	Electrolytic (non-polarized)
C	Ceramic (temperature compensation)
K	Ceramic
F	Polyester
N	Polypropylene
M	Metalized polypropylene
H	Metalized polypropylar
B	Ceramic (semiconductor)
G	Metalized polyester
Y	Composite film
S	Styrol
T	Tantalum oxide solid electrolytic
U	Organic semiconductive electrolyte
D	Electric double layer electrolytic

Tolerance table

Mark	Tolerance
A	not specified
B	± 0.1
C	± 0.25
D	± 0.5
F	± 1
G	± 2
E	± 2.5
H	± 3
J	± 5
K	± 10
M	± 20
N	± 30
P	+100 -0
Q	+30 -10
T	+50 -10
U	+75 -10
V	+20 -10
W	+100 -10
X	+40 -20
Y	+150 -10
Z	+80 -20

Coil Reading

Example L2 C1 4R7 K N

Tolerance

Inductance value

Manufacture code

Unique code

Mark	Tolerance (nH)	Mark	Tolerance (%)
C	± 0.25	G	± 2
D	± 0.5	J	± 5
S	± 0.3	K	± 10
A	± 0.2	L	± 15
		M	± 20

Resistor Reading

Example 1/2 D J 10K B

Example 6 W K 8.2

Example 1/2 C K 1M

Characteristic

Z (Carbon fuse)

B (Non-burnable)

K indicates in $\text{K}\Omega$

M indicate in $\text{M}\Omega$

Resistance value

Tolerance (see below table)

Material (see below table)

Rated wattage (W)

Note: Resistor which is indicated with resistance value only are 1/6W carbon resistor. Resistor which is indicated with material, tolerance and value are 1/4W rated wattage.

Material table

Mark	Material
D	Carbon
N	Metal film
S	Oxide metal film
C	Solid
G	Metal glaze
W	Wire winding or cement
H	Ceramic
F	Fusible

Tolerance table

Mark	Tolerance
A	± 0.05
B	± 0.1
C	± 0.25
D	± 0.5
F	± 1
G	± 2
J	± 5
K	± 10
M	± 20
P	+5 -15
Z	used in 0 ohm

Diode/Transistor Type Reading

Diode

Mark	Type number
R	1S2076A,1S2473,1N4148
AA	1S2076A,1S2473,1SS133,1N4148

Transistor

(1) NPN type

Mark	Type number			
--	2SC536	2SC945A	2SC1815	2SC1740S
AD	NF, NG	PA, QA	Y, GR	Q, R, S
AE	NF, NG	PA, QA, RA	O, Y, GR	Q, R, S

(2) PNP type

Mark	Type number			
--	2SA608	2SA564A	2SA1015	2SA933S
AB	NF	R	Y, GR	R
AC	NF	Q, R	O, Y, GR	Q, R

(3) Chip type

Mark	Type number				
--	2SA1179N	2SA1037K	2SA1037AK	2SC2812/N	2SC2412K
AJ	M6, M7	R, S	R, S		
AH				L6, L7	R, S

Note on Soldering

Do not use solder containing lead.

This product has been manufactured using lead-free solder in order to help preserve the environment.

Because of this, be sure to use lead-free solder when carrying out repair work, and never use solder containing lead.

Lead-free solder has a melting point that is 30–40 °C (86–104 °F) higher than solder containing lead, and moreover it does not contain lead which attaches easily to other metals. As a result, it does not melt as easily as solder containing lead, and soldering will be more difficult even if the temperature of the soldering iron is increased.

The extra difficulty in soldering means that soldering time will increase and damage to the components or the circuit board may easily occur.

Because of this, you should use a soldering iron and solder that satisfy the following conditions when carrying out repair work. Also, soldering work must be done in a short time.

Soldering iron

Use a soldering iron which is 70 W or equivalent, and which lets you adjust the tip temperature up to 450 °C (842 °F) It should also have as good temperature recovery characteristics as possible.

Solder

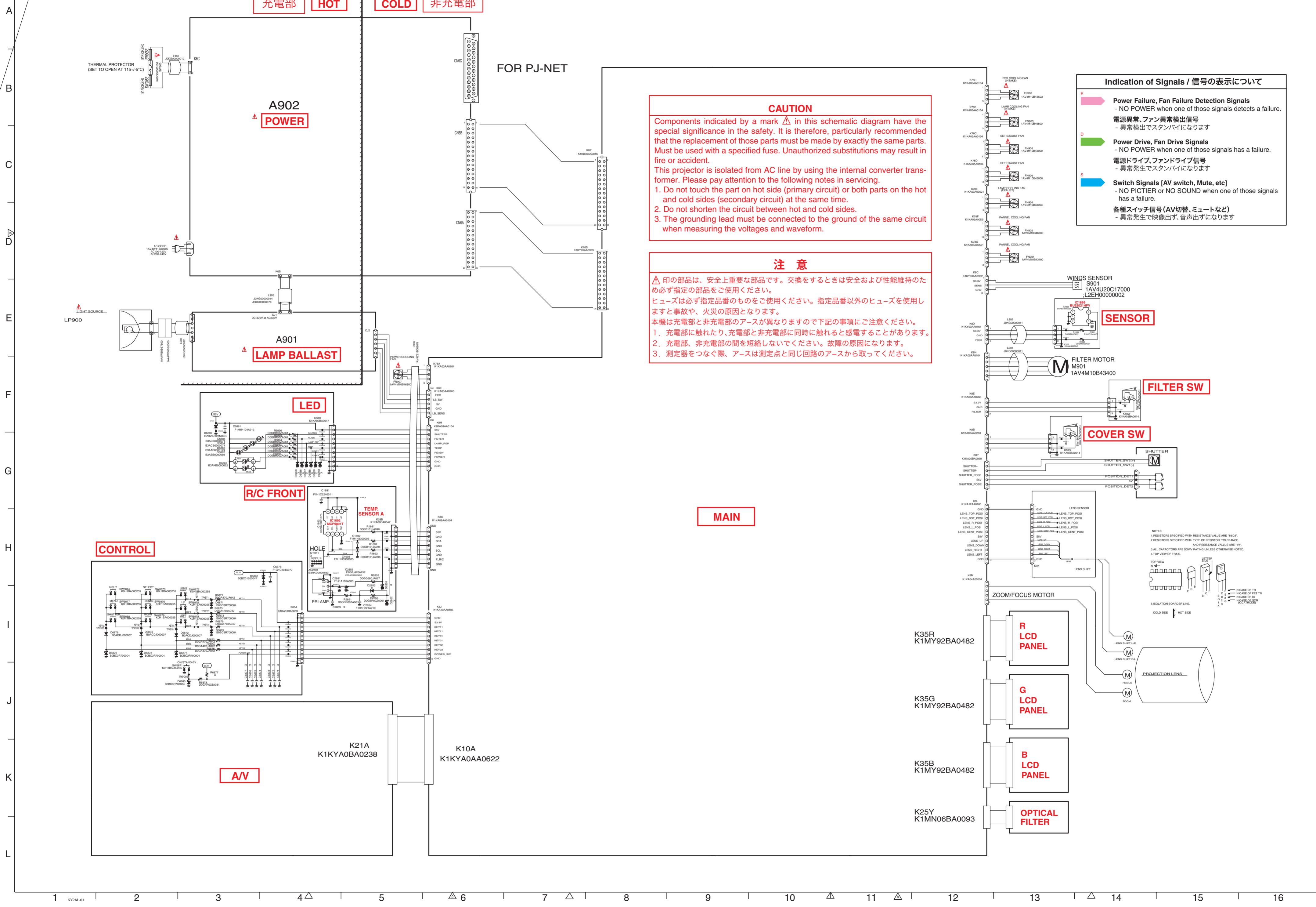
Use solder with the metal content and composition ratio by weight given in the table below. Do not use solders which do not meet these conditions.

Metal content	Tin (Sn)	Silver (Ag)	Copper (Cu)
Composition ratio by weight	96.5 %	3.0 %	0.5 %

Note:

If replacing existing solder containing lead with lead-free solder in the soldered parts of products that have been manufactured up until now, remove all of the existing solder at those parts before applying the lead-free solder.

Schematic Diagrams



充電部 HOT COLD 非充電部

FOR PJ-NET

A902 POWER

A901 LAMP BALLAST

LED

R/C FRONT

TEMP SENSOR A

CONTROL

A/V

MAIN

K21A K1KYA0BA0238

K10A K1KYA0AA0622

K35R K1M92BA0482

R LCD PANEL

K35G K1M92BA0482

G LCD PANEL

K35B K1M92BA0482

B LCD PANEL

K25Y K1MN06BA0093

OPTICAL FILTER

Indication of Signals / 信号の表示について

E Power Failure, Fan Failure Detection Signals
- NO POWER when one of those signals detects a failure.
電源異常、ファン異常検出信号
- 異常検出でスタンバイになります

D Power Drive, Fan Drive Signals
- NO POWER when one of those signals has a failure.
電源ドライブ、ファンドライブ信号
- 異常発生でスタンバイになります

S Switch Signals [AV switch, Mute, etc]
- NO PICTIER or NO SOUND when one of those signals has a failure.
各種スイッチ信号 (AV切替、ミュートなど)
- 異常発生で映像出ず、音声出ずになります

CAUTION

Components indicated by a mark Δ in this schematic diagram have the special significance in the safety. It is therefore, particularly recommended that the replacement of those parts must be made by exactly the same parts. Must be used with a specified fuse. Unauthorized substitutions may result in fire or accident.

This projector is isolated from AC line by using the internal converter transformer. Please pay attention to the following notes in servicing.

- Do not touch the part on hot side (primary circuit) or both parts on the hot and cold sides (secondary circuit) at the same time.
- Do not shorten the circuit between hot and cold sides.
- The grounding lead must be connected to the ground of the same circuit when measuring the voltages and waveform.

注意

Δ 印の部品は、安全上重要な部品です。交換をするときは安全および性能維持のため必ず指定の部品をご使用ください。

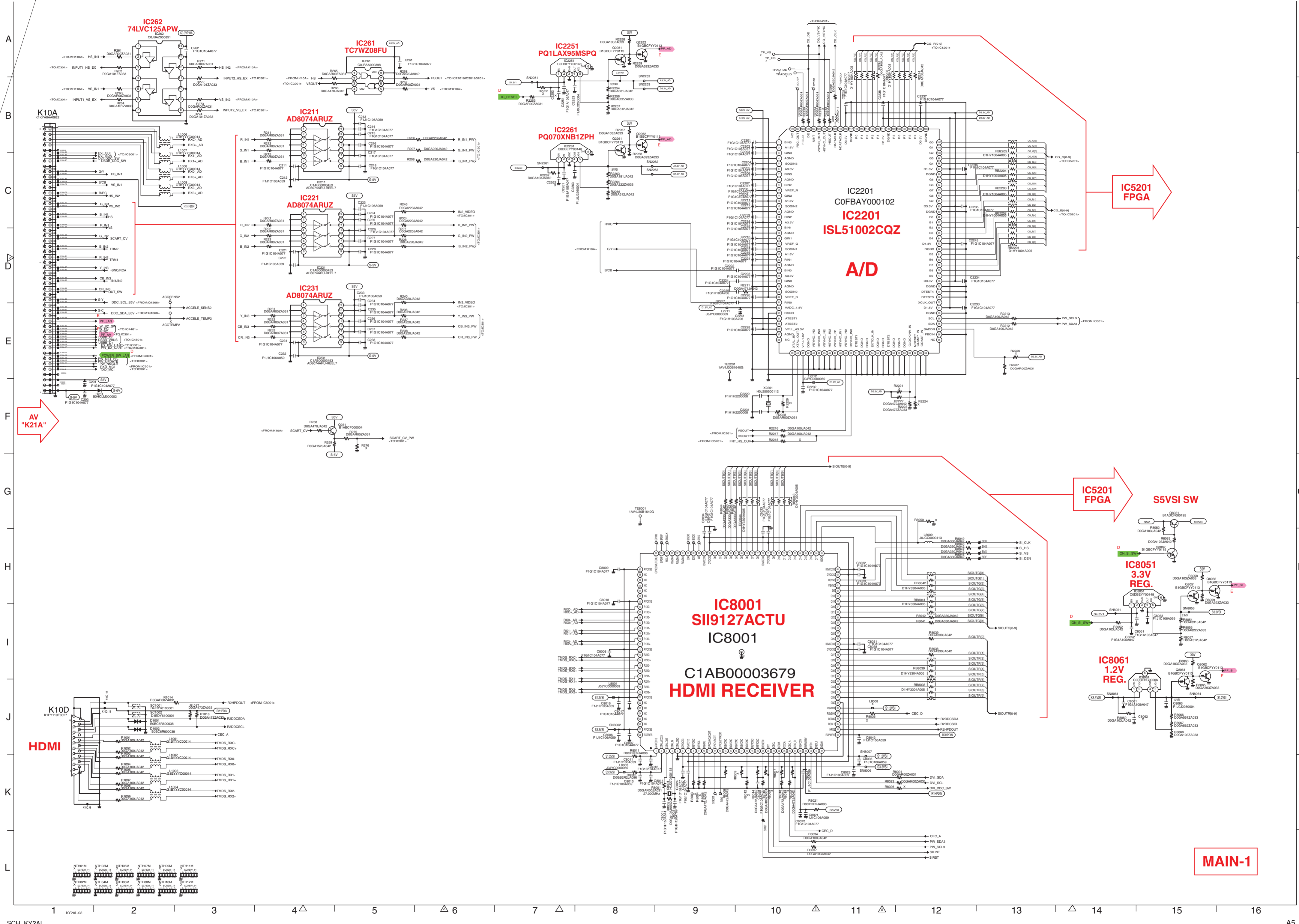
ヒューズは必ず指定品番のものをご使用ください。指定品番以外のヒューズを使用しますと事故や、火災の原因となります。

本機は充電部と非充電部のアースが異なりますので下記の事項にご注意ください。

- 充電部に触れたり、充電部と非充電部に同時に触れると感電することがあります。
- 充電部、非充電部の間を短絡しないでください。故障の原因になります。
- 測定器をつなぐ際、アースは測定点と同じ回路のアースから取ってください。

NOTES:
1. RESISTORS SPECIFIED WITH RESISTANCE VALUE ARE "1/4W".
2. RESISTORS SPECIFIED WITH TYPE OF RESISTOR, TOLERANCE AND RESISTANCE VALUE ARE "1/4".
3. ALL CAPACITORS ARE 50VW RATING UNLESS OTHERWISE NOTED.
4. TOP VIEW OF TRAC:

ISOLATION BOARDER LINE
COLD SIDE | HOT SIDE



AV
"K21A"

IC5201
FPGA

IC2201
COFBAY000102
IC2201
ISL51002CQZ
A/D

IC5201
FPGA

S5VSI SW

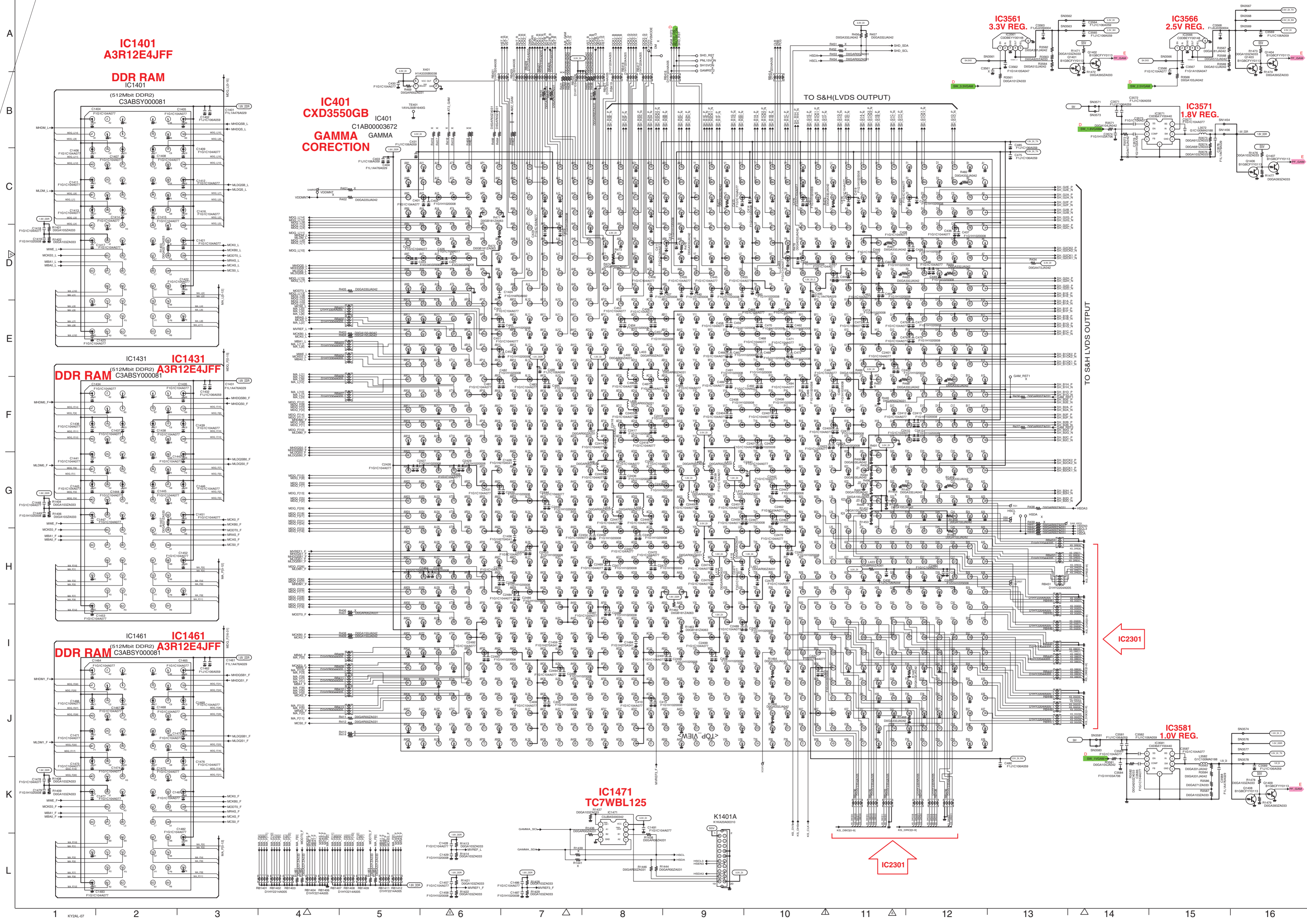
IC8051
3.3V
REG.

IC8061
1.2V
REG.

HDMI

IC8001
SI9127ACTU
IC8001
C1AB00003679
HDMI RECEIVER

MAIN-1



IC1401
A3R12E4JFF

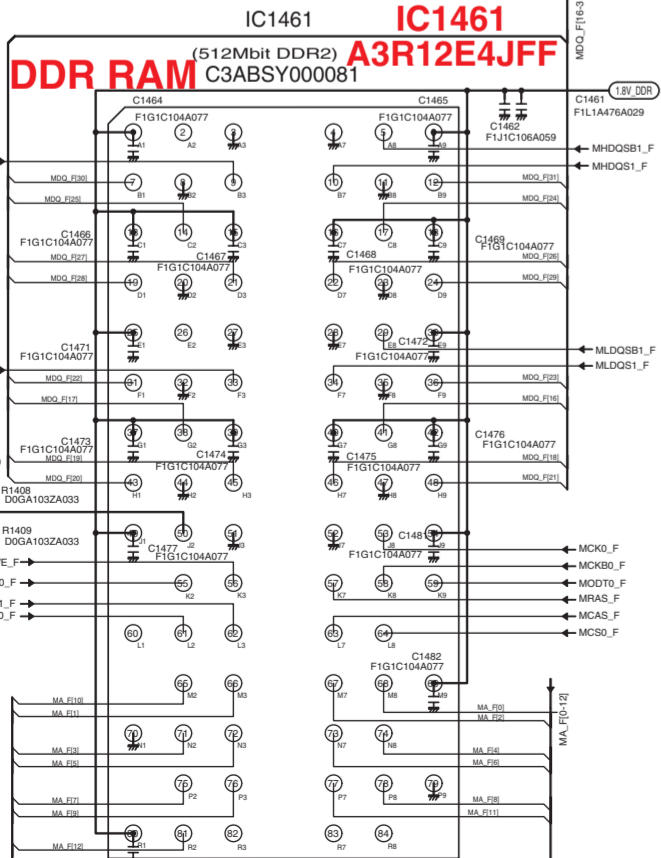
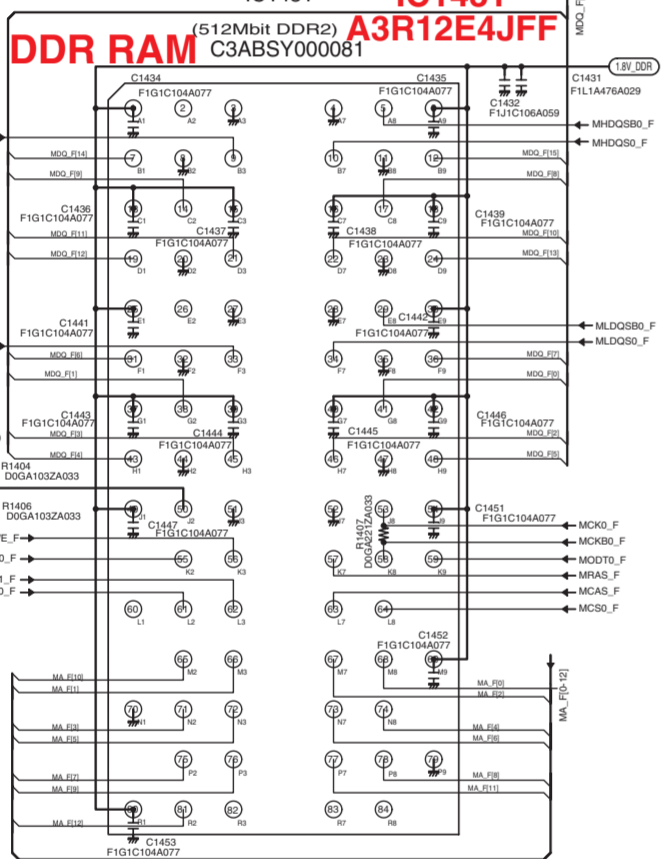
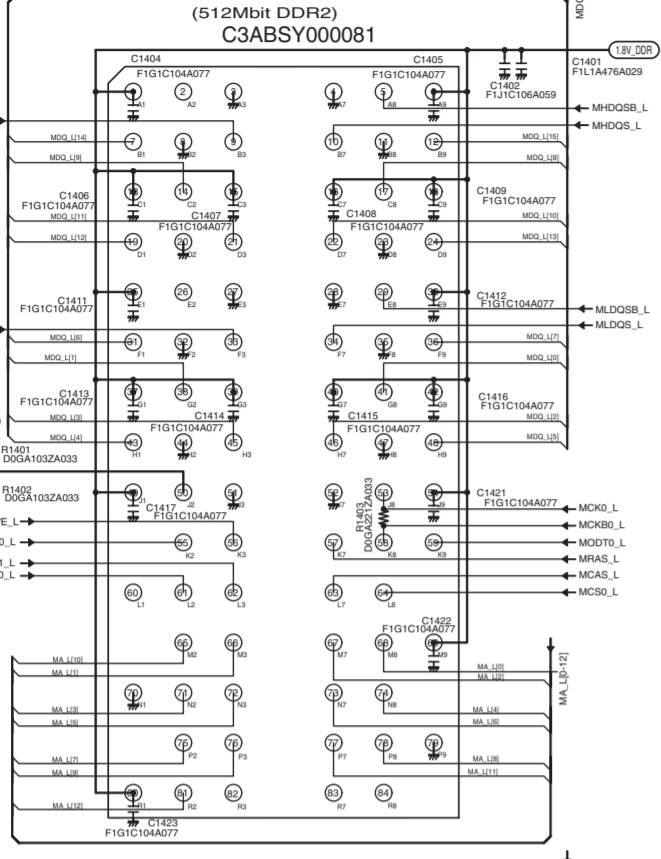
DDR RAM
IC1401

IC401
CXD3550B
GAMMA
CORECTION

IC3561
3.3V REG.

IC3566
2.5V REG.

IC3571
1.8V REG.

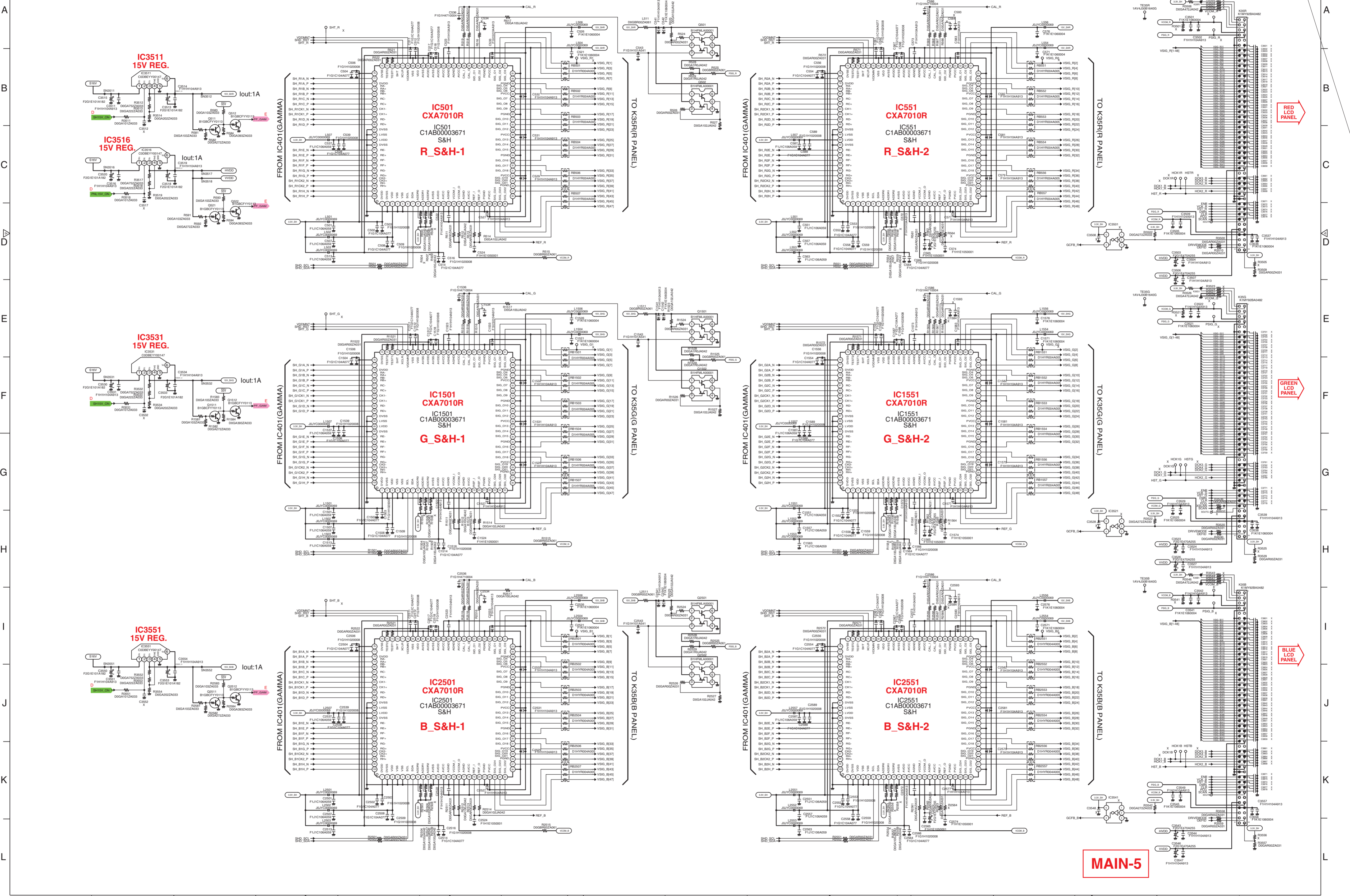


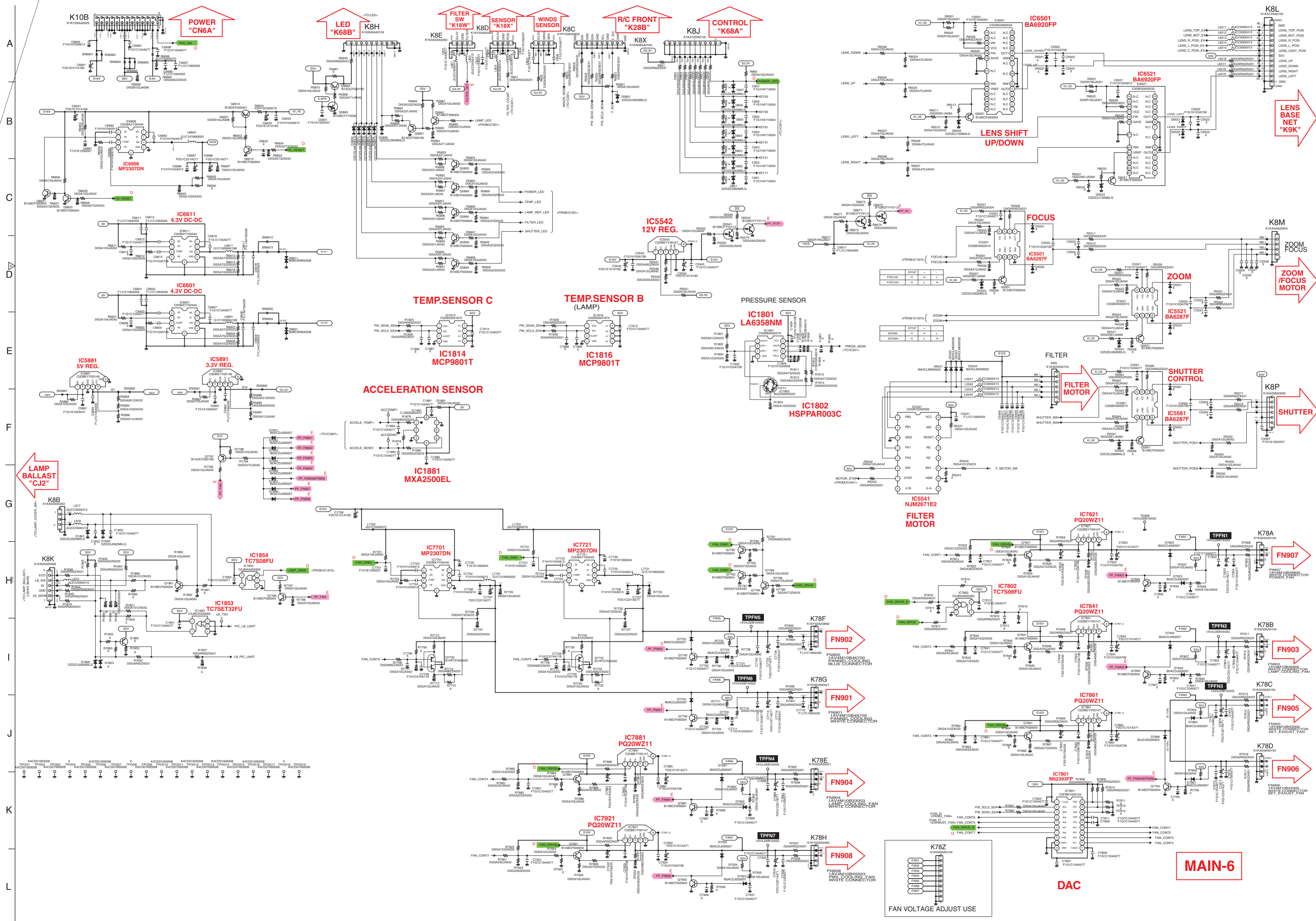
IC1471
TC7WBL125

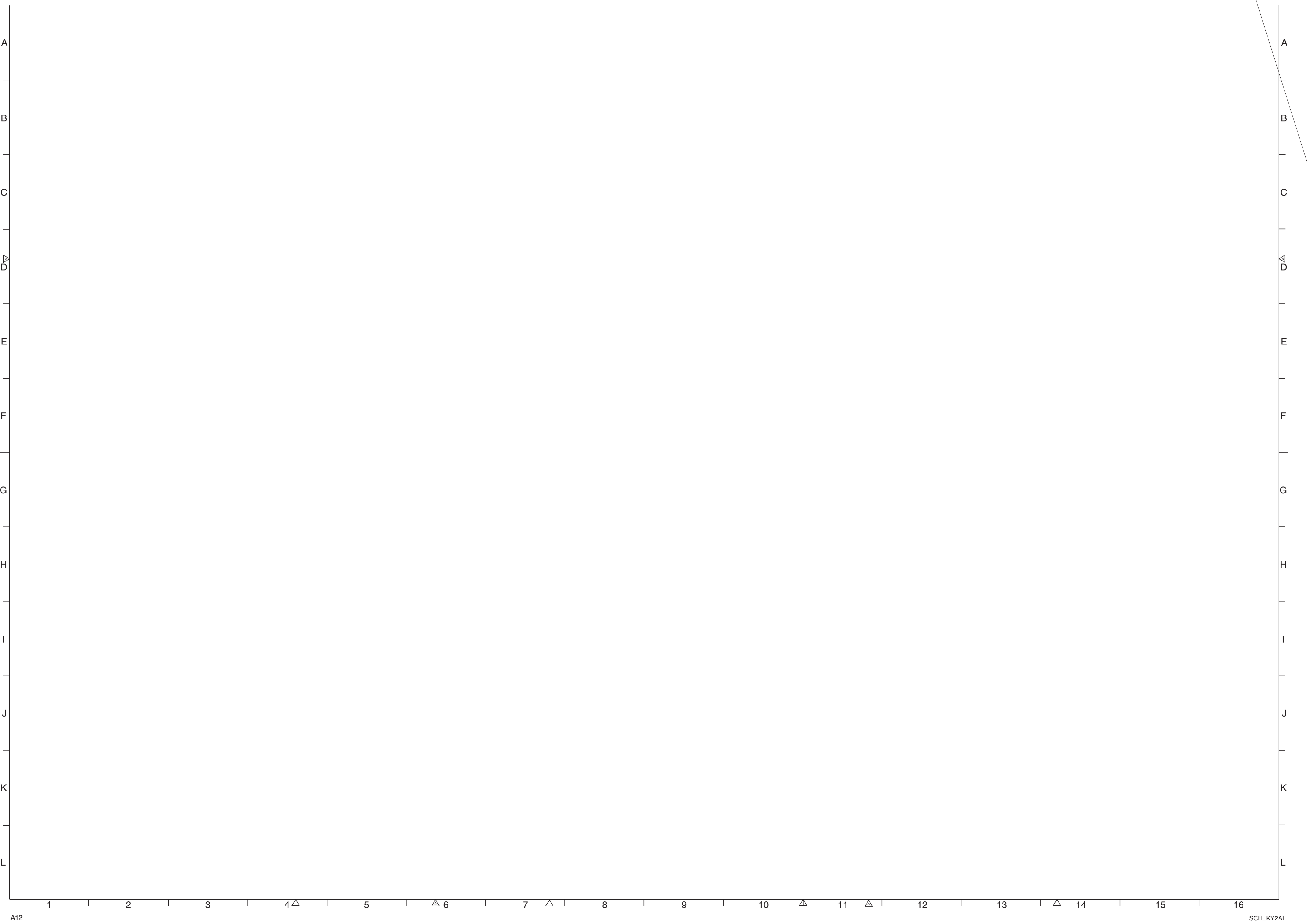
IC3581
1.0V REG.

IC2301

IC2301

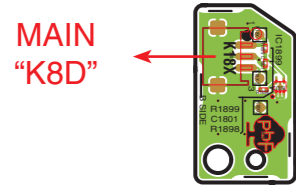




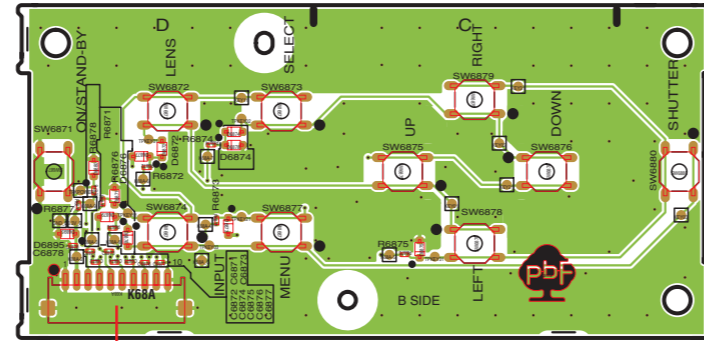


Printed Wiring Board Drawings

SENSOR (SIDE:B)

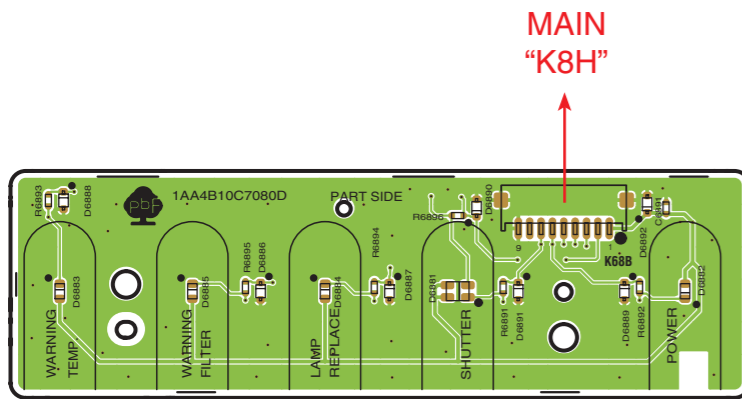


CONTROL (SIDE:B)



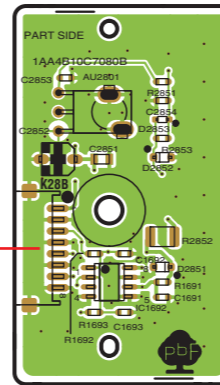
MAIN
"K8J"

LED (SIDE:A)



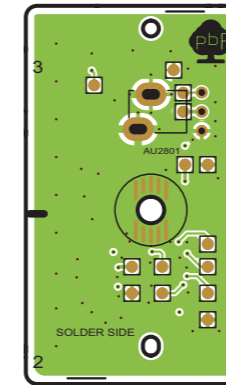
MAIN
"K8H"

R/C FRONT (SIDE:A)

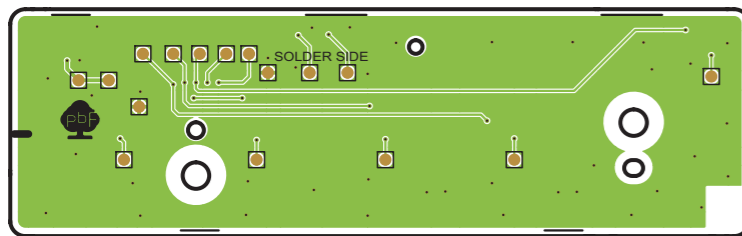


MAIN
"K8X"

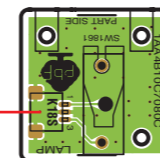
R/C FRONT (SIDE:B)



LED (SIDE:B)

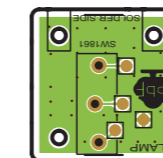


COVER SW (SIDE:A)



MAIN
"K8B"

COVER SW (SIDE:B)

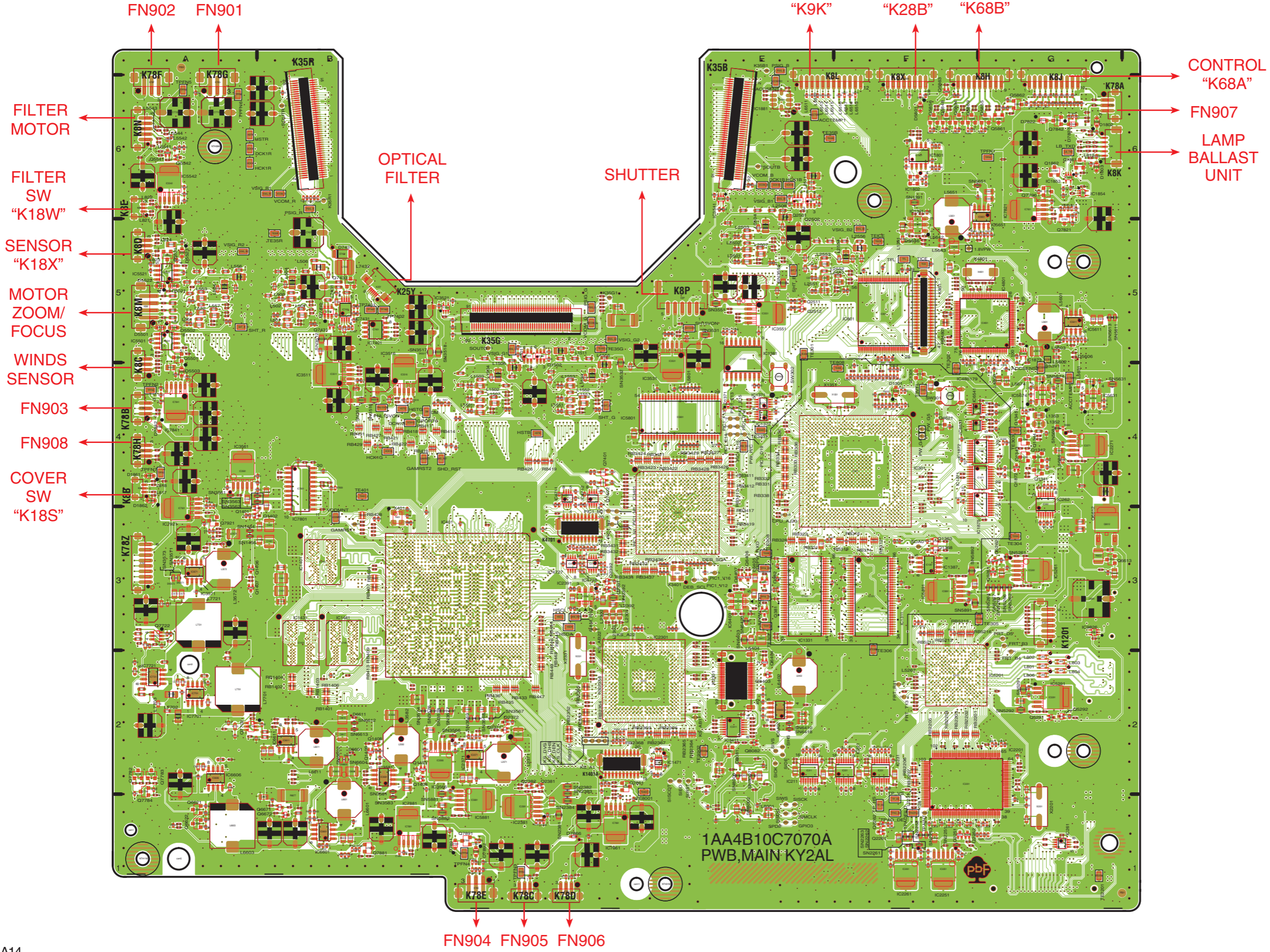


⚠ CAUTION

This projector is isolated from AC line by using the internal converter transformer. Please pay attention to the following notes in servicing

1. Do not touch the part on hot side (primary circuit) or both parts on hot and cold sides (secondary circuit) at the same time.
2. Do not shorten the circuit between hot and cold sides.
3. The grounding lead must be connected to the ground of the same circuit when measuring of voltages and waveforms.

MAIN (SIDE:A)



MAIN (SIDE:B)

