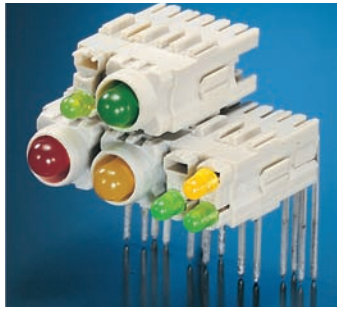


Front panel component system

- Overview 0
- Cabinets 1
- Wall mounted cases 2
- Accessories for cabinets and wall mounted cases 3
- Climate control 4
- Desk-top cases 5
- Subracks/ 19" chassis ... 6
- Front panels, plug-in units .. 7
- Systems 8
- Power supply units 9
- Backplanes .. 10
- Connectors, front panel component system 11
- Appendix 12

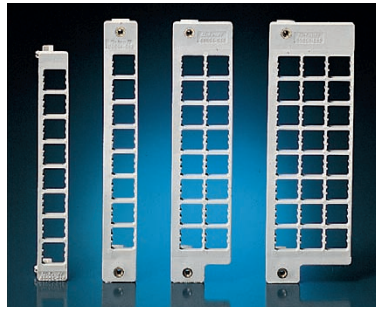


05092001



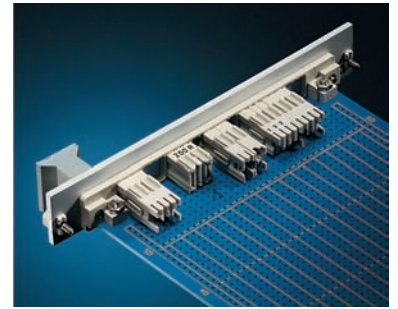
05092004

Components are pre-mounted in plastic bodies that can be arranged in rows; horizontal grid (3 planes) and vertical grid (8 or 16 planes)



05092008

A mounting frame with integrated PCB bracket fixes the front elements and forms the mechanical link between PCB, front elements and front panel



05092002

Front element system in use

Standards

- IEC 60297-3-101
- IEC 60603 (DIN 41494 part 8)

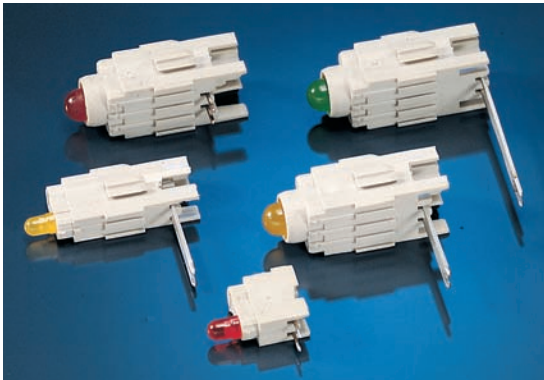
Connectors, front panel component system 11



Downloads and further important information can be found on the Internet under www.schroff.biz

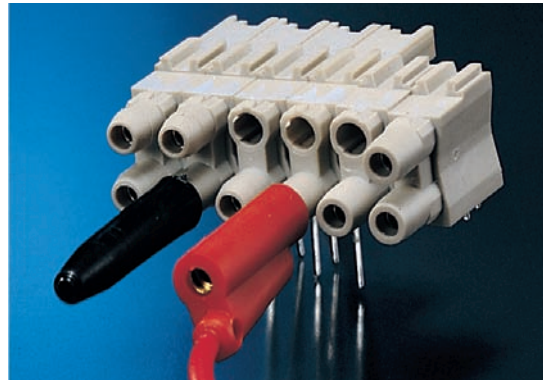
Operating and display elements for front panels

- Pre-assembled front element components
- Mounting frames with integrated PCB brackets
- Assembled front elements can be soldered in one step
- Subsequent front panel mounting



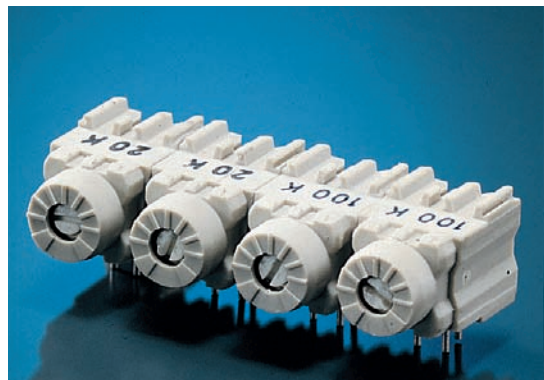
LEDs (light-emitting diodes)

05092009



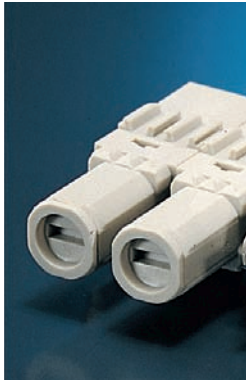
Test and make-break sockets

05092005



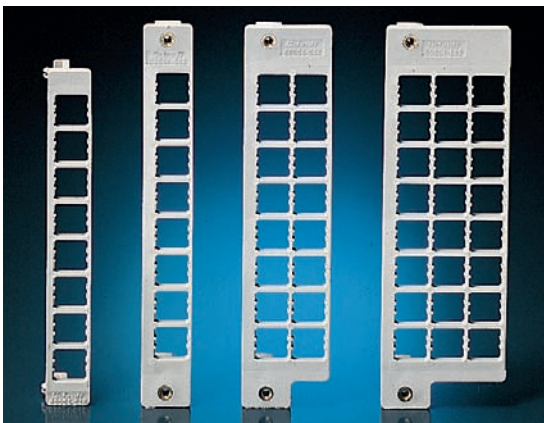
Potentiometers

05092007



Fuse holders

05092006



Mounting frames with integrated PCB brackets

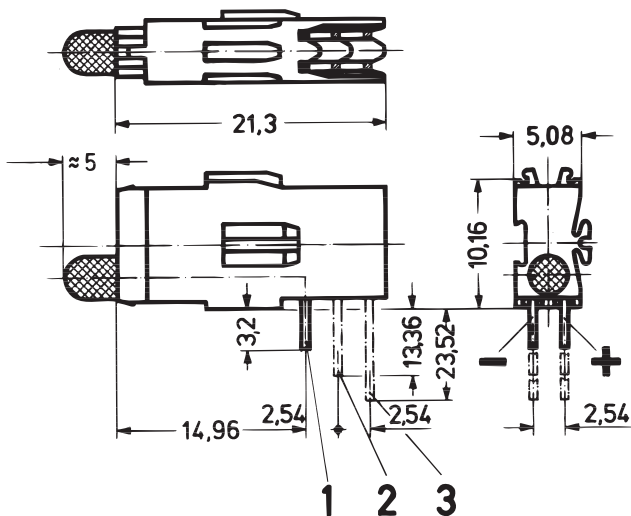
05092008

Front panel component system

- Single LEDs ... 11.14
- Double LEDs ... 11.16
- Technical data LEDs ... 11.17
- Test sockets ... 11.18
- Make-break socket ... 11.19
- Technical data for test and make-break sockets and fuse holders ... 11.20
- Potentiometers . 11.21
- Mounting frames 11.22
- Drilling template 11.23
- Design aids ... 11.24

Front panel component system

Single LED, long type, Ø 3.2 mm



1, 2, 3 = mounting planes

A3-195

- Long type for mounting planes 1, 2 and 3

Order Information

Description	Colour	1	2	3
		Part no.	Part no.	Part no.
Low current LED	red	69004-240	69004-258	69004-259
Low current LED	yellow	69004-242	69004-262	69004-263
Low current LED	green	69004-241	69004-260	69004-261
Standard LED	red	69004-059	69004-060	69004-061
Standard LED	yellow	69004-065	69004-066	69004-067
Standard LED	green	69004-062	69004-063	69004-064

Delivery is exclusively in Standard Pack Quantity (SPQ): Please order at least 10 pieces or a multiple. Pricing is per individual item.

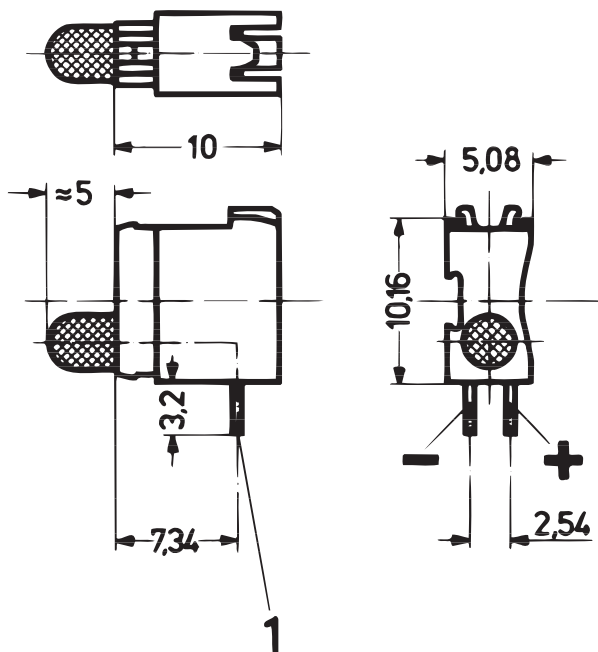
Note

- Dimensions of connecting pins:
0.5 × 0.5 mm (mounting plane 1)
0.63 × 0.63 mm (mounting planes 2 and 3)
- Required front panel drill hole: Ø 4 mm
- Technical data see page 11.17



For further information www.schroff.biz/oneclick
oneClick search code = Part no.

Single LED, short type, Ø 3.2 mm



1 = mounting plane

A3-214

- Short type for mounting plane 1

Order Information

Colour	Low current LED	Standard LED
	Part no.	Part no.
red	69004-264	69004-121
yellow	69004-266	69004-123
green	69004-265	69004-122

Delivery is exclusively in Standard Pack Quantity (SPQ): Please order at least 10 pieces or a multiple. Pricing is per individual item.

Note

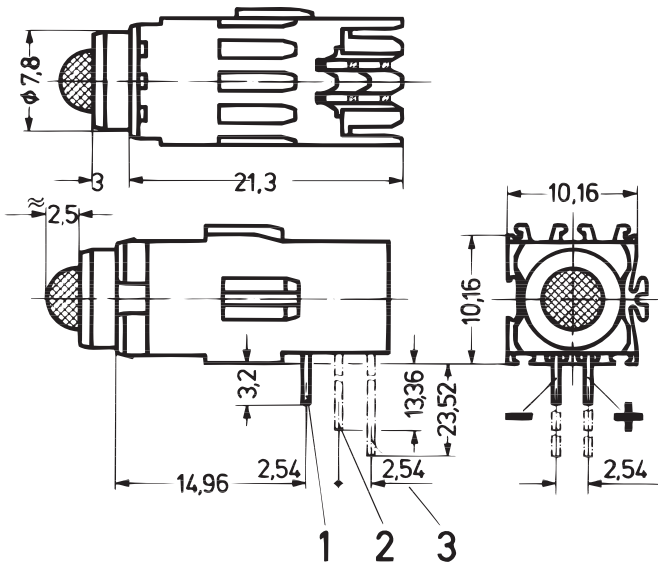
- Dimensions of connecting pins: 0.5 × 0.5 mm
- Required front panel drill hole: Ø 4 mm
- Technical data see page 11.17



For further information www.schroff.biz/oneclick
oneClick search code = Part no.

Front panel component system

Single LED, long type, \varnothing 5 mm



1, 2, 3 = mounting plane

A1-194

- Long type for mounting plane 1, 2 and 3

Order Information

Description	Colour	1	2	3
		Part no.	Part no.	Part no.
Low current LED	red	69004-250	69004-251	69004-252
Low current LED	yellow	69004-249	69004-256	69004-257
Low current LED	green	69004-253	69004-254	69004-255
Standard LED	red	69004-050	69004-051	69004-052
Standard LED	yellow	69004-056	69004-057	69004-058
Standard LED	green	69004-053	69004-054	69004-055

Delivery is exclusively in Standard Pack Quantity (SPQ): Please order at least 10 pieces or a multiple. Pricing is per individual item.

Note

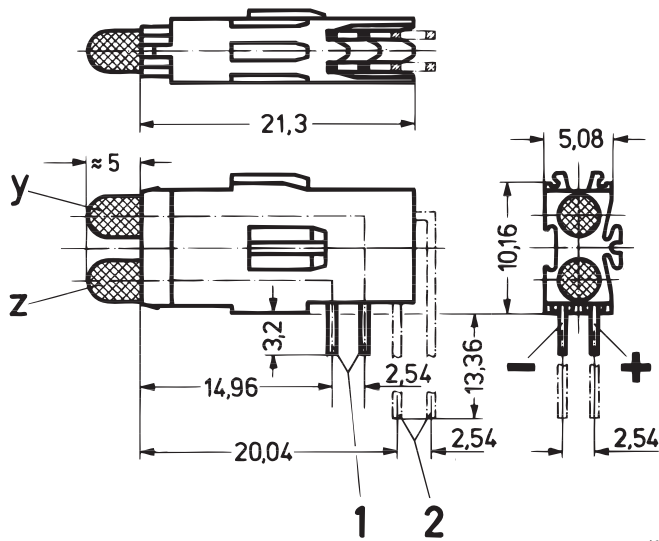
- Dimensions of connecting pins:
0.5 x 0.5 mm (mounting plane 1)
0.63 x 0.63 mm (mounting planes 2 and 3)
- Required front panel drill hole: \varnothing 8 mm
- Technical data see page 11.17



For further information www.schroff.biz/oneclick
oneClick search code = Part no.

Front panel component system

Double LED, long type, Ø 3.2 mm



1, 2 = mounting plane

A3-196

- Long type for mounting plane 1 and 2

Order Information

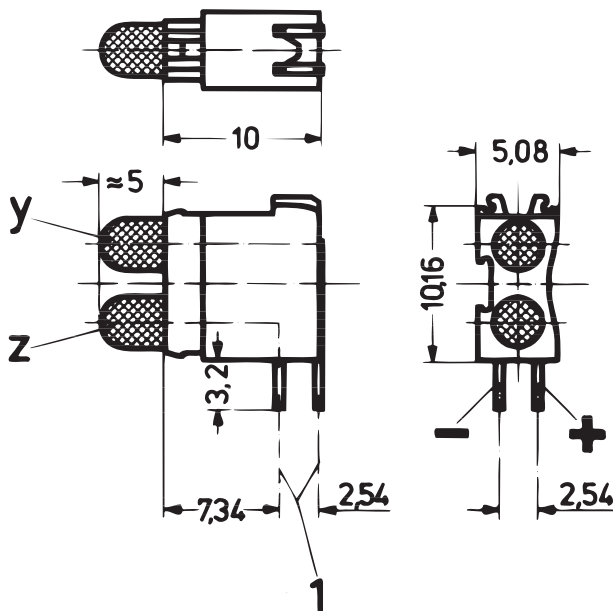
Description	Colour	1	2
		Part no.	Part no.
Low current LED	red/red (Y/Z)	69004-274	69004-275
Low current LED	green/green (Y/Z)	69004-276	69004-277
Low current LED	yellow/yellow (Y/Z)	69004-278	69004-279
Low current LED	red/green (Y/Z)	69004-280	69004-281
Low current LED	red/yellow (Y/Z)	69004-282	-
Low current LED	yellow/green (Y/Z)	69004-284	-
Standard LED	red/red (Y/Z)	69004-068	69004-069
Standard LED	green/green (Y/Z)	69004-071	69004-072
Standard LED	yellow/yellow (Y/Z)	69004-074	69004-075
Standard LED	red/green (Y/Z)	69004-077	69004-078
Standard LED	red/yellow (Y/Z)	69004-080	-
Standard LED	yellow/green (Y/Z)	69004-083	-

Delivery is exclusively in Standard Pack Quantity (SPQ): Please order at least 10 pieces or a multiple. Pricing is per individual item.

Note

- Dimensions of connecting pins: 0.63 × 0.63 mm
- Required front panel drill hole: Ø 4 mm
- Technical data see page 11.17

Double LED, short type, Ø 3.2 mm



1 = mounting plane

A3-217

- Short type for mounting plane 1

Order Information

Colour	Low current LED	Standard LED
	Part no.	Part no.
red/red (Y/Z)	69004-286	69004-124
yellow/yellow (Y/Z)	69004-288	69004-126
green/green (Y/Z)	69004-287	69004-125
red/green (Y/Z)	69004-289	69004-127
red/yellow (Y/Z)	69004-290	69004-128
yellow/green (Y/Z)	69004-291	69004-129

Delivery is exclusively in Standard Pack Quantity (SPQ): Please order at least 10 pieces or a multiple. Pricing is per individual item.

Note

- Dimensions of connecting pins: 0.5 × 0.5 mm
- Required front panel drill hole: Ø 4 mm
- Technical data see page 11.17



For further information www.schroff.biz/oneclick
oneClick search code = Part no.

Front panel component system

Dimensions LEDs

A = standard LED
B = low current LED

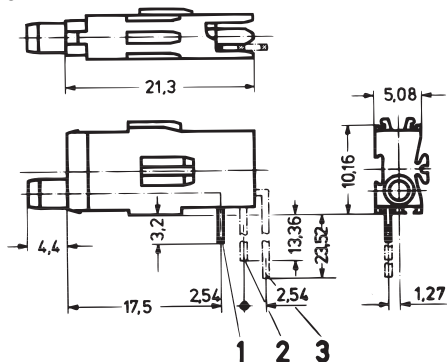
Absolute maximum data T _a = 25 °C	A red, Ø 3.2 mm		B red, Ø 5 mm		A yellow, Ø 3.2 mm		B yellow, Ø 5 mm		A green, Ø 3.2 mm		B green, Ø 5 mm	
Reverse voltage V	5	3	5	3	5	3	5	3	5	3	5	3
On-state current mA	25	30	25	30	25	30	25	30	25	30	25	30
Power dissipation mW	100	75	100	75	100	75	100	75	100	75	100	75
Forward current mA (t < 10 µs)	100	75	100	75	100	75	100	75	100	75	100	75
Forward voltage V – type (10 mA/2 mA)	2.1	2.1	2.1	2.1	2.1	2.2	2.1	2.2	2.1	2.2	2.1	2.2
– max. (10 mA/2 mA)	3	3	3	3	3	3	3	3	3	3	3	3
Luminous intensity mcd – at 2 mA	–	1.5	–	3.1	–	1.4	–	3.2	–	2	–	3.3
– at 10 mA ¹⁾	1.8	13.4	2.2	25.1	2.7	13.4	3.4	28.6	3.2	24.6	3.9	25.7
– at 20 mA ¹⁾	3.6	26.8	4.4	48.2	5.4	28.7	6.8	60.8	6.4	54.9	7.8	54.6
Wavelength nm (10 mA/2 mA)	635	650	635	650	585	585	585	585	565	563	565	563
Thermal resistance °C/W	400	470	350	390	400	470	350	390	400	470	350	390
Angle of reflected beam	± 50°											
Storage temperature	–55 ... +100 °C											
Operating temperature	–55 ... +100 °C (low-current LED)/–40 ... +85 °C (Standard-LED)											
Solder temperature	260 °C/max. 5 sec (processing advice for wave soldering: protect plastic body against solder wave)											
Insulating body	PBT (Crastin)											
Flammability of insulation body	UL 94 V-0											

1) The low current LEDs can be used from 2 to 20 mA (without reduction of lifespan), which means that a significantly higher luminosity can be achieved.

Front panel component system

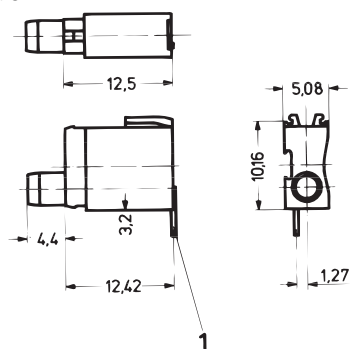
Test socket, Ø 2 mm

Long type



1, 2, 3 = mounting plane

Short type



1 = mounting plane

A3-199b

KA943

- Long type for mounting plane 1, 2 and 3
- Short type for mounting plane 1

Order Information

For application in	1	2	3
	Part no.	Part no.	Part no.
Long type	69004-086	69004-087	69004-088
Short type	69004-130	-	-

Delivery is exclusively in Standard Pack Quantity (SPQ): Please order at least 10 pieces or a multiple. Pricing is per individual item.

Note

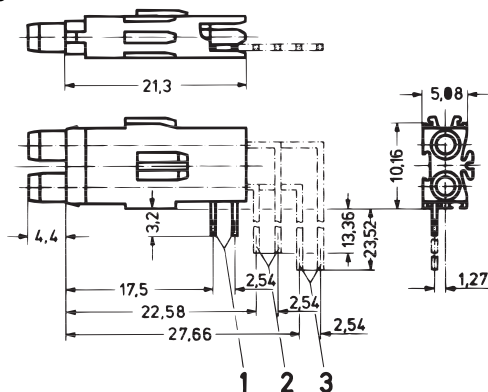
- Dimensions of connecting pins: 0.3 × 0.6 mm
- Required front panel drill hole: Ø 4 mm
- Technical data see page 11.20



For further information www.schroff.biz/oneclick
oneClick search code = Part no.

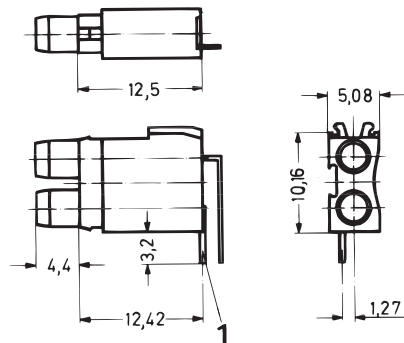
Double test socket, Ø 2 mm

Long type



1, 2, 3 = mounting plane

Short type



1 = mounting plane

05009050

05009051

- Long type for mounting plane 1, 2 and 3
- Short type for mounting plane 1

Order Information

For application in	1	2	3
	Part no.	Part no.	Part no.
Long type	69004-089	69004-090	69004-091
Short type	69004-131	-	-

Delivery is exclusively in Standard Pack Quantity (SPQ): Please order at least 10 pieces or a multiple. Pricing is per individual item.

Note

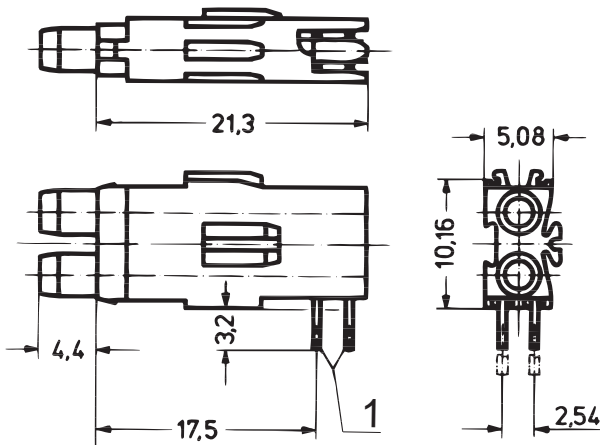
- Dimensions of connecting pins: 0.3 × 0.6 mm
- Required front panel drill hole: Ø 4 mm
- Technical data see page 11.20



For further information www.schroff.biz/oneclick
oneClick search code = Part no.

Front panel component system

Double make-break socket, \varnothing 2 mm



1 = mounting plane

A3-200

- Long type for mounting plane 1
- Gold-plated contacts
- Can also be used as test socket

Order Information

For application in	Part no.
Long type	69004-095

Delivery is exclusively in Standard Pack Quantity (SPQ): Please order at least 10 pieces or a multiple. Pricing is per individual item.

Note

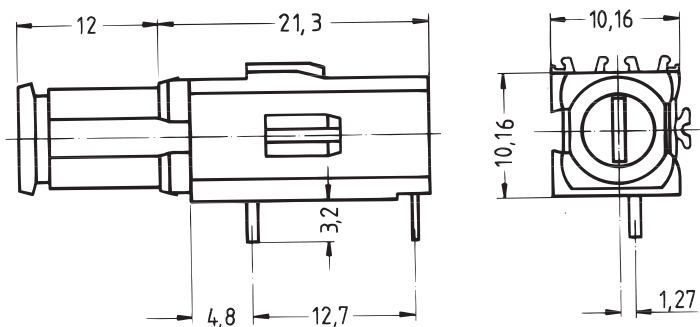
- Dimensions of connecting pins: 0.3 x 0.6 mm
- Required front panel drill hole: \varnothing 4 mm
- Technical data see page 11.20



For further information www.schroff.biz/oneclick
oneClick search code = Part no.

Front panel component system

Fuse holder



- Long type for mounting plane 1
- For glass fuse inserts 5 x 20 mm to DIN 41 571, 250 V_{AC}, 6.3 A
- Contacts silver-plated

Order Information

Description	Part no.
Long type	69004-098

Delivery is exclusively in Standard Pack Quantity (SPQ): Please order at least 10 pieces or a multiple. Pricing is per individual item.

Note

- Dimensions of connecting pins: 0.7 x 0.6 mm
- Required front panel drill hole: Ø 9 mm



For further information www.schroff.biz/oneclick
oneClick search code = Part no.

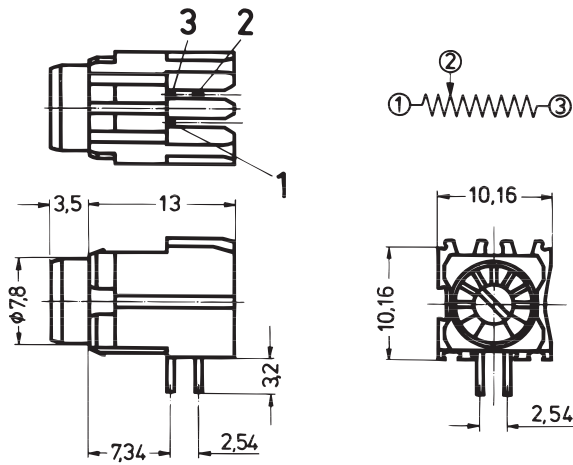
Technical data for test sockets, fuse holders

	Test socket/make-break socket	Double test socket/ double make-break socket	Fuse holder
Operating voltage	≤ 60 V _{DC/AC}	≤ 30 V _{AC}	≤ 250 V _{AC}
Operating current	≤ 1 A	≤ 1 A	≤ 6.3 A
Test voltage	1 kV/50 Hz	1 kV/50 Hz	–
Temperature range	–25 ... +70 °C	–25 ... +70 °C	–25 ... +70 °C
Solder temperature	260 °C/max. 5 sec (processing advice for wave soldering: protect plastic body against solder wave)		
Contact material	Copper alloy	Copper alloy	Copper alloy
Contact surface	Selectively gold-plated	Selectively gold-plated	Silver-plated
Insulating body	PBT (Crastin)	PBT (Crastin)	PBT (Crastin)
Climatic use category	HSF ¹⁾ to DIN 40 040	HSF ¹⁾ to DIN 40 040	HSF ¹⁾ to DIN 40 040
Flammability	UL 94 V-0	UL 94 V-0	UL 94 V-0

¹⁾ H = –25 °C; S = +70 °C; F = 75 % air humidity, no condensation

Front panel component system

Cermet potentiometers



Pins 1 and 2 low-ohmic when left-hinged;
pins 2 and 3 low-ohmic when right-hinged

- Short type for mounting plane 1

Order Information

Resistance kΩ	Part no.
1	69004-169
5	69004-165
20	69004-161
100	69004-155

Delivery is exclusively in Standard Pack Quantity (SPQ): Please order at least 10 pieces or a multiple. Pricing is per individual item.

Technical data

Operating voltage	≤ 200 V _{DC/AC}
Operating current	≤ 100 mA
Load capacity	0.5 Watt at T _a = 70 °C
Test voltage	500 V/50 Hz
Resistance tolerance	± 10 %
Electrical rotation angle	230° ± 5°
Insulation resistance change	100 MΩ
Contact resistance change	3 Ω or 3 %, use largest value
Torque at initial turning	0.021 Nm
Storage temperature	-55 ... +125 °C
Operating temperature	-25 ... +70 °C
Service life (full rotation)	200 cycles
Service life at 0.5 Watt load	1000 h at T _a = 70 °C
Solder temperature	260 °C/max. 5 sec (processing advice for wave soldering: protect plastic body against solder wave)
Insulating body	PBT (Crastin)
Flammability	UL 94 V-0
Resistance of gasket to cleaning	85 °C max. 1 min.
Temperature coefficient	± 100 ppm/K

Note

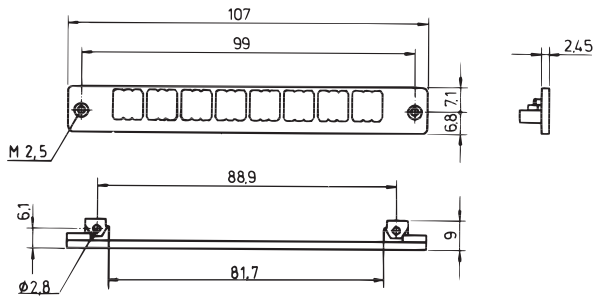
- Dimensions of connecting pins: 0.45 × 0.45 mm
- Required front panel drill hole: Ø 8 mm
- When left-hinged: pins 1 and 2 low-ohmic
- When right-hinged: pins 2 and 3 low-ohmic



For further information www.schroff.biz/oneclick
oneClick search code = Part no.

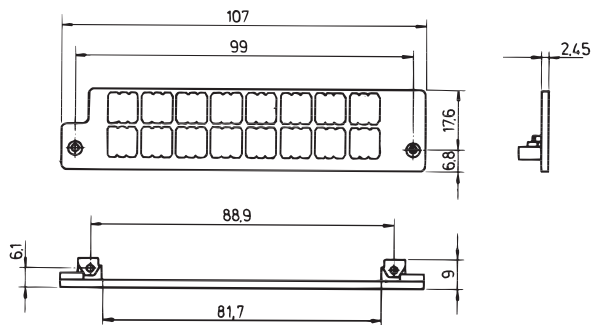
Accessories Front panel component system

Mounting frames with PCB bracket for mounting planes



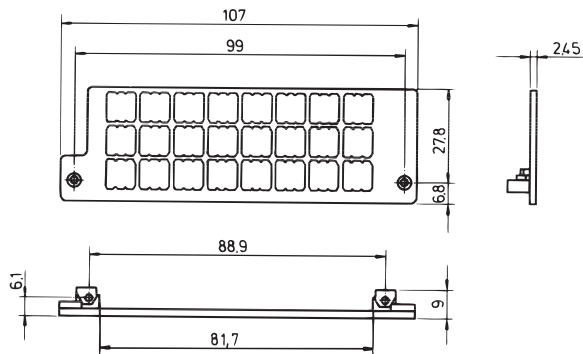
Mounting frame for mounting plane 1

KA942a



Mounting frame for mounting planes 1 and 2

KA942b



Mounting frame for mounting planes 1, 2 and 3

KA942c

- With 2 threaded female connectors M 2.5
- Material PBT
- Flammability UL 94 V-0

Order Information

Description	Part no.
Mounting frame for mounting plane 1	69004-043
Mounting frame for mounting planes 1 and 2	69004-044
Mounting frame for mounting planes 1, 2 and 3	69004-045

Delivery is exclusively in Standard Pack Quantity (SPQ): Please order at least 10 pieces or a multiple. Pricing is per individual item.

Note

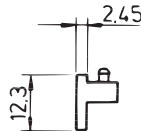
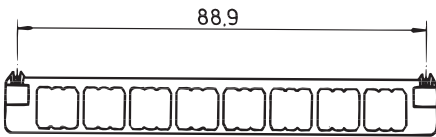
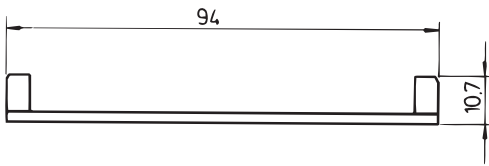
- Mounting frames nos. 69004-043, 69004-044 and 69004-045 cannot be used in conjunction with the aluminium profile handle for front panels



For further information www.schroff.biz/oneclick
oneClick search code = Part no.

Accessories Front panel component system

Mounting frame with PCB bracket for frame type plug-in units



Mounting frame for mounting plane 1

KA942d

- With 2 grub screws for fixing on PCBs
- Board thickness max. 1.6 mm
- Drilled hole for fixing board max. 2.8 mm

Order Information

Description	Part no.
Support frame with board support for frame type plug-in units	69004-046

Delivery is exclusively in Standard Pack Quantity (SPQ): Please order at least 10 pieces or a multiple. Pricing is per individual item.



For further information www.schroff.biz/oneclick
oneClick search code = Part no.

Drilling template

- Design aid for processing of front panels

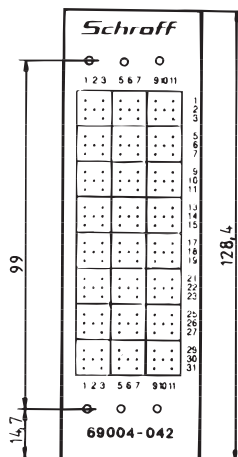
Order Information

Description	Material	Part no.
Drilling template	EPGC 02 (fibreglass reinforced Epoxy)	69004-042

Delivery is exclusively in Standard Pack Quantity (SPQ): Please order at least 10 pieces or a multiple. Pricing is per individual item.



For further information www.schroff.biz/oneclick
oneClick search code = Part no.

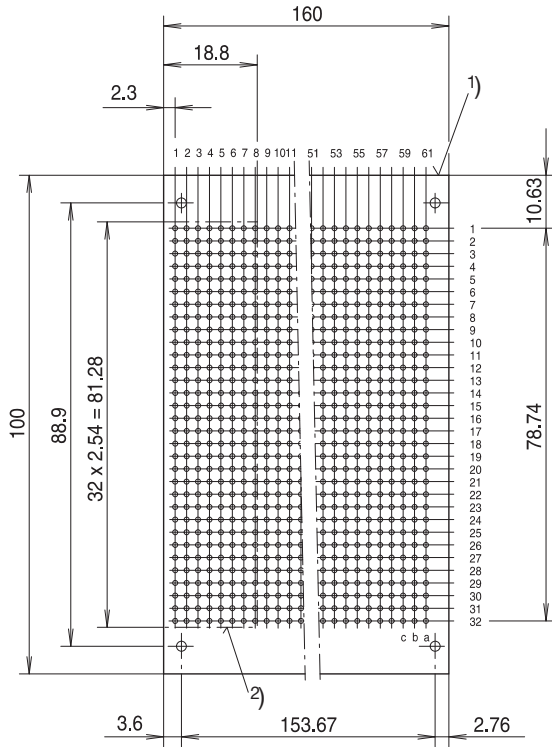


A4_276

Accessories Front panel component system

Design aids

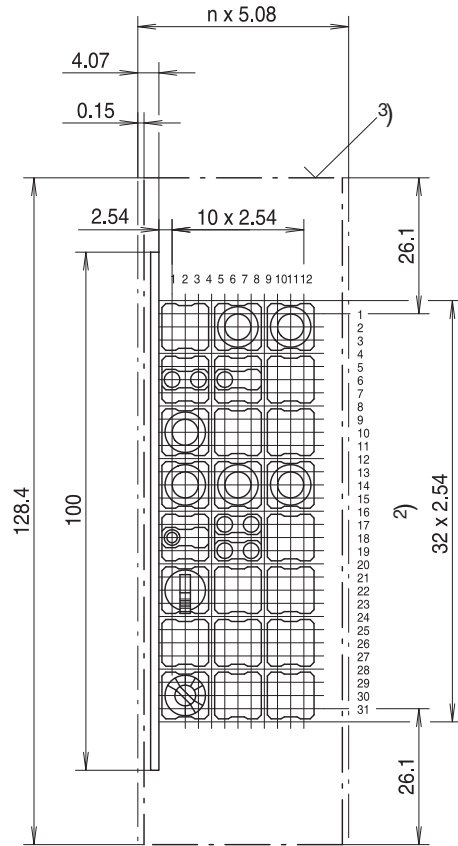
Component side of PCB



FEA45510

- 1) PCB
- 2) Component mounting limit

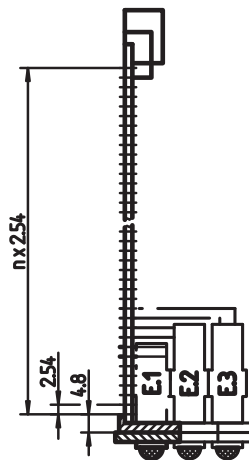
Front of front panel



FEA45511

- 3) Front panel

Placement example



- E1 = first mounting plane
- E2 = second mounting plane
- E3 = third mounting plane

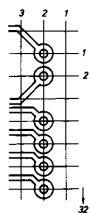
ELA40278

Accessories Front panel component system

Design aids

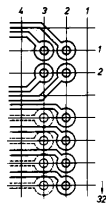
PCB tracks
View solder side

Short type
LED,
Ø 3.2 mm



A4_277a

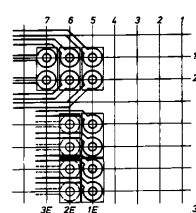
Double LED,
Ø 3.2 mm



A4_277b

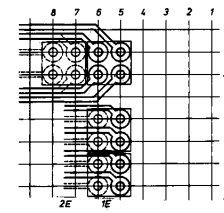
View solder side

Long type
LED,
Ø 3.2 mm



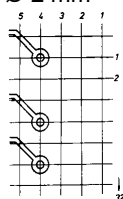
A3_205a

Double LED,
Ø 3.2 mm



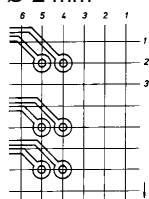
A3_205b

Test socket,
Ø 2 mm



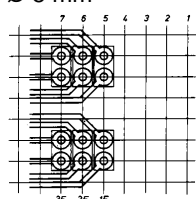
A3_215a

Double test socket,
Ø 2 mm



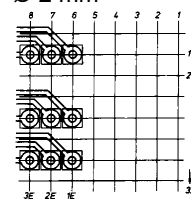
A3_215b

LED,
Ø 5 mm



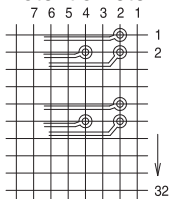
A4_272

Test socket,
Ø 2 mm



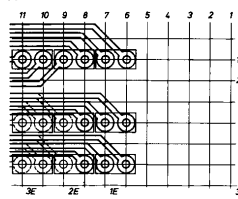
A3_205c

Potentiometer



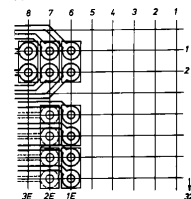
FEA45990

Double test socket,
Ø 2 mm



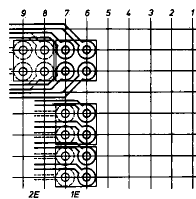
A4_273

Make/break socket,
Ø 2 mm



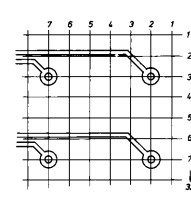
A2_114a

Double make-break socket,
Ø 2 mm



A2_114b

Fuse holder



A2_114d

Dimensions of connecting pins	Recommended hole Ø	Solder eyes Ø
0.5 × 0.5 mm	1.0 mm ± 0.05	2.1 mm ± 0.1
0.63 × 0.63 mm	1.1 mm ± 0.05	2.2 mm ± 0.2
0.3 × 0.6 mm	0.9 mm ± 0.05	2.0 mm ± 0.2
0.7 × 0.6 mm	1.1 mm ± 0.05	2.1 mm ± 0.2
0.4 × 0.6 mm	0.9 mm ± 0.05	2.0 mm ± 0.2
0.45 × 0.45 mm	0.7 mm ± 0.05	1.8 mm ± 0.2

PCB tracks width min. 0.6 mm
Grid 2.54 mm