



element14

---

**EN** - For pricing and availability in your local country please visit one of the below links:

**DE** - Informationen zu Preisen und Verfügbarkeit in Ihrem Land erhalten Sie über die unten aufgeführten Links:

**FR** - Pour connaître les tarifs et la disponibilité dans votre pays, cliquez sur l'un des liens suivants:

[69004-125](#)

[69004-125](#)

[69004-130](#)

[69004-130](#)

**EN**

This Datasheet is presented by  
the manufacturer

**DE**

Dieses Datenblatt wird vom  
Hersteller bereitgestellt

**FR**

Cette fiche technique est  
présentée par le fabricant



*Schroff*

# FRONT PANEL COMPONENT SYSTEMS

Cabinets ..... 1

Wall mounted cases ..... 2

Accessories for cabinets and wall mounted cases . 3

Climate control . 4

Electronics cases ..... 5

Subracks/ 19" chassis .... 6

Front panels, plug-in units ... 7

Systems ..... 8

Power supply units ..... 9

Backplanes ... 10

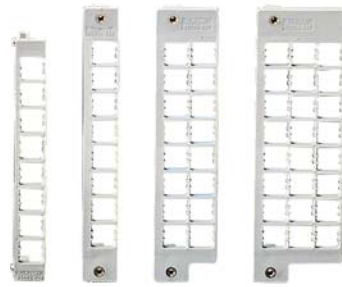
Connectors, front panel component system ..... 11

Appendix ..... 12



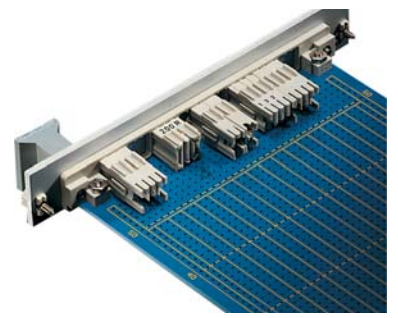
05092004

Components are pre-mounted in plastic bodies that can be arranged in rows; horizontal grid (3 planes) and vertical grid (8 or 16 planes)



05092008

A mounting frame with integrated PCB bracket fixes the front elements and forms the mechanical link between PCB, front elements and front panel



05092001

05092002

Front element system in use

**Standards**

- IEC 60297-3-101
- IEC 60603 (DIN 41494 part 8)

# Front panel component system

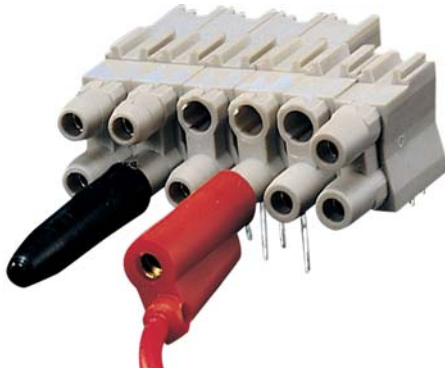
## Operating and display elements for front panels

- Pre-assembled front element components
- Mounting frames with integrated PCB brackets
- Assembled front elements can be soldered in one step
- Subsequent front panel mounting



LEDs (light-emitting diodes)

05092009



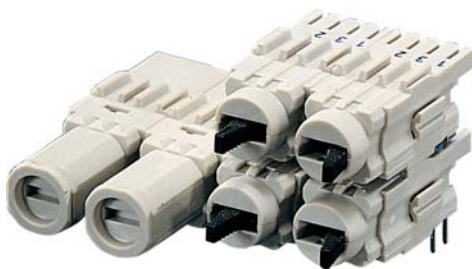
Test and make-break sockets

05092005



Potentiometers

05092007



Fuse holders

05092006



Mounting frames with integrated PCB brackets

05092008

Front panel component system

- Single LEDs ..... 11.14
- Double LEDs ..... 11.16
- Technical data
- LEDs ..... 11.17
- Test sockets ..... 11.18
- Make-break socket ..... 11.19
- Technical data for test and make-break sockets and fuse holders ..... 11.20
- Potentiometers .. 11.21
- Mounting frames . 11.22
- Drilling template . 11.23
- Design aids ..... 11.24

## Front panel component system

### Single LED, long type, Ø 3.2 mm

- Long type for mounting planes 1, 2 and 3

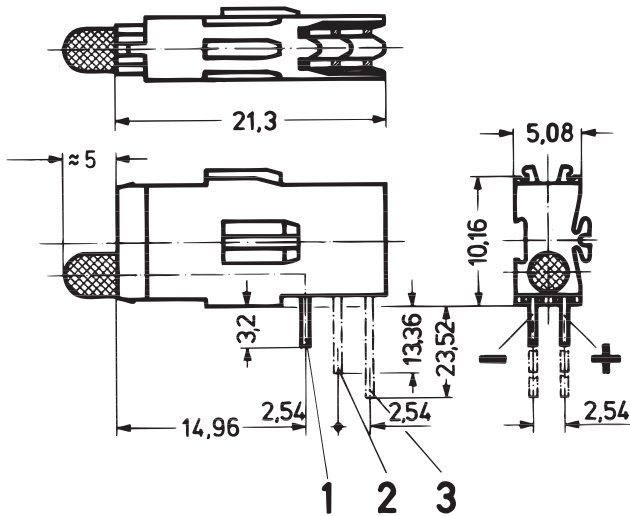
#### Order Information

Description	Colour	1	2	3
		Part no.	Part no.	Part no.
Low current LED	red	69004-240	69004-258	69004-259
Low current LED	yellow	69004-242	69004-262	69004-263
Low current LED	green	69004-241	69004-260	69004-261
Standard LED	red	69004-059	69004-060	69004-061
Standard LED	yellow	69004-065	69004-066	69004-067
Standard LED	green	69004-062	69004-063	69004-064

Delivery is exclusively in Standard Pack Quantity (SPQ):  
Please order at least 10 pieces or a multiple. Pricing is per individual item.

#### Note

- Dimensions of connecting pins:  
0.5 × 0.5 mm (mounting plane 1)  
0.63 × 0.63 mm (mounting planes 2 and 3)
- Required front panel drill hole: Ø 4 mm
- Technical data see page 11.17



1, 2, 3 = mounting planes

A3-195

### Single LED, short type, Ø 3.2 mm

- Short type for mounting plane 1

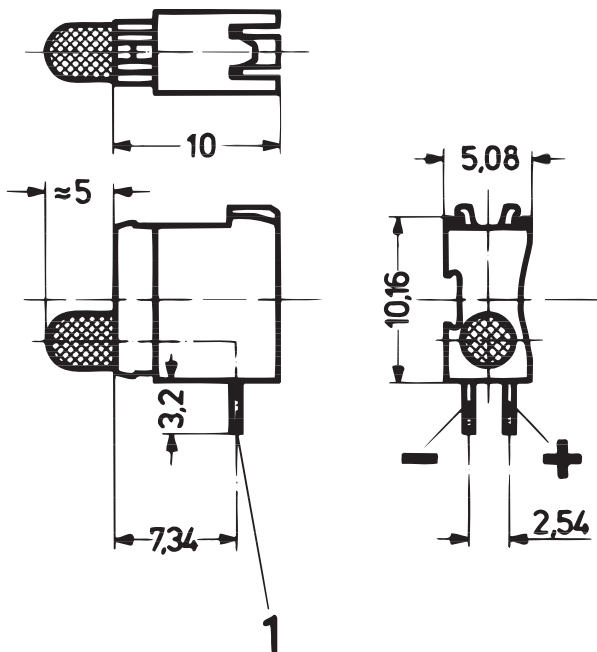
#### Order Information

Colour	Low current LED	Standard LED
	Part no.	Part no.
red	69004-264	69004-121
yellow	69004-266	69004-123
green	69004-265	69004-122

Delivery is exclusively in Standard Pack Quantity (SPQ):  
Please order at least 10 pieces or a multiple. Pricing is per individual item.

#### Note

- Dimensions of connecting pins: 0.5 × 0.5 mm
- Required front panel drill hole: Ø 4 mm
- Technical data see page 11.17



1 = mounting plane

A3-214

## Front panel component system

### Single LED, long type, $\varnothing$ 5 mm

- Long type for mounting plane 1, 2 and 3

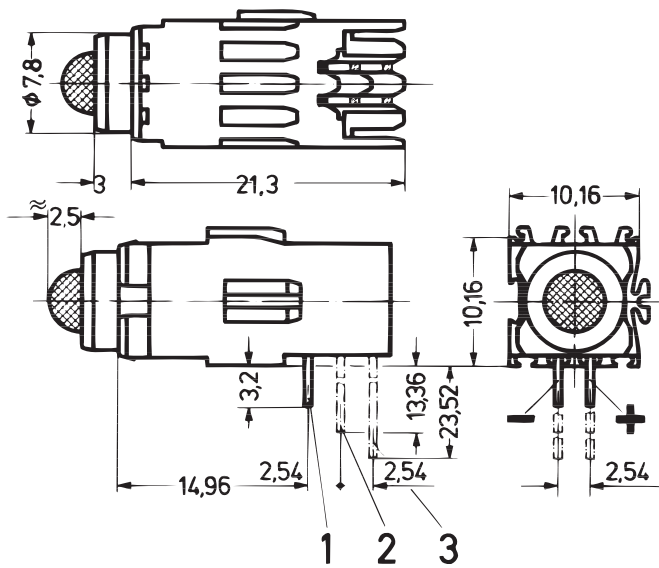
#### Order Information

Description	Colour	1	2	3
		Part no.	Part no.	Part no.
Low current LED	red	<b>69004-250</b>	69004-251	69004-252
Low current LED	yellow	<b>69004-249</b>	<b>69004-256</b>	69004-257
Low current LED	green	<b>69004-253</b>	69004-254	69004-255
Standard LED	red	<b>69004-050</b>	<b>69004-051</b>	69004-052
Standard LED	yellow	<b>69004-056</b>	<b>69004-057</b>	69004-058
Standard LED	green	<b>69004-053</b>	<b>69004-054</b>	<b>69004-055</b>

Delivery is exclusively in Standard Pack Quantity (SPQ):  
Please order at least 10 pieces or a multiple. Pricing is per individual item.

#### Note

- Dimensions of connecting pins:  
0.5 × 0.5 mm (mounting plane 1)  
0.63 × 0.63 mm (mounting planes 2 and 3)
- Required front panel drill hole:  $\varnothing$  8 mm
- Technical data see page 11.17



1, 2, 3 = mounting plane

A1-194

## Front panel component system

### Double LED, long type, Ø 3.2 mm

- Long type for mounting plane 1 and 2

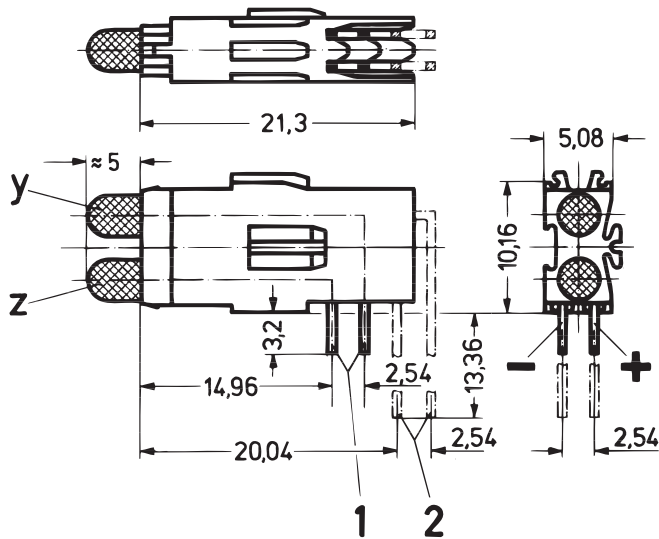
#### Order Information

Description	Colour	1	2
		Part no.	Part no.
Low current LED	red/red (Y/Z)	69004-274	69004-275
Low current LED	green/green (Y/Z)	69004-276	69004-277
Low current LED	yellow/yellow (Y/Z)	69004-278	69004-279
Low current LED	red/green (Y/Z)	69004-280	69004-281
Low current LED	red/yellow (Y/Z)	69004-282	-
Low current LED	yellow/green (Y/Z)	69004-284	-
Standard LED	red/red (Y/Z)	69004-068	69004-069
Standard LED	green/green (Y/Z)	69004-071	69004-072
Standard LED	yellow/yellow (Y/Z)	69004-074	69004-075
Standard LED	red/green (Y/Z)	69004-077	69004-078
Standard LED	red/yellow (Y/Z)	69004-080	-
Standard LED	yellow/green (Y/Z)	69004-083	-

Delivery is exclusively in Standard Pack Quantity (SPQ):  
Please order at least 10 pieces or a multiple. Pricing is per individual item.

#### Note

- Dimensions of connecting pins: 0.63 × 0.63 mm
- Required front panel drill hole: Ø 4 mm
- Technical data see page 11.17



1, 2 = mounting plane

A3-196

### Double LED, short type, Ø 3.2 mm

- Short type for mounting plane 1

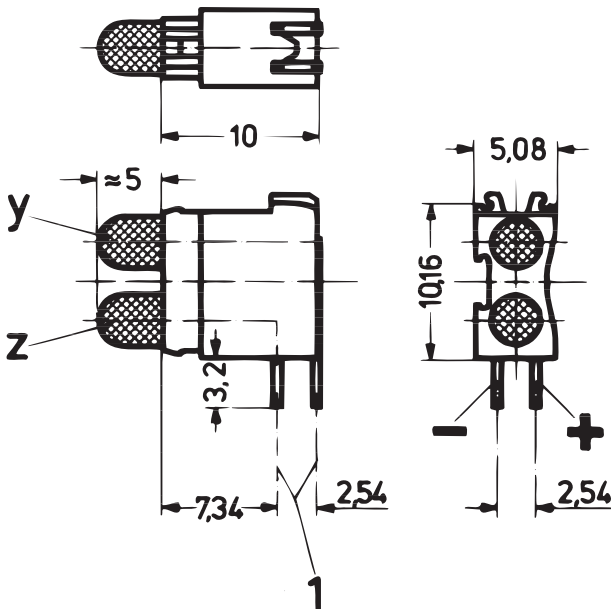
#### Order Information

Colour	Low current LED	Standard LED
	Part no.	Part no.
red/red (Y/Z)	69004-286	69004-124
yellow/yellow (Y/Z)	69004-288	69004-126
green/green (Y/Z)	69004-287	69004-125
red/green (Y/Z)	69004-289	69004-127
red/yellow (Y/Z)	69004-290	69004-128
yellow/green (Y/Z)	69004-291	69004-129

Delivery is exclusively in Standard Pack Quantity (SPQ):  
Please order at least 10 pieces or a multiple. Pricing is per individual item.

#### Note

- Dimensions of connecting pins: 0.5 × 0.5 mm
- Required front panel drill hole: Ø 4 mm
- Technical data see page 11.17



1 = mounting plane

A3-217

## Front panel component system

### Dimensions LEDs

A = standard LED

B = low current LED

Absolute maximum data $T_a = 25\text{ °C}$	A	B	A	B	A	B	A	B	A	B	A	B
	red, Ø 3.2 mm		red, Ø 5 mm		yellow, Ø 3.2 mm		yellow, Ø 5 mm		green, Ø 3.2 mm		green, Ø 5 mm	
Reverse voltage V	5	3	5	3	5	3	5	3	5	3	5	3
On-state current mA	25	30	25	30	25	30	25	30	25	30	25	30
Power dissipation mW	100	75	100	75	100	75	100	75	100	75	100	75
Forward current mA ( $t < 10\text{ }\mu\text{s}$ )	100	75	100	75	100	75	100	75	100	75	100	75
Forward voltage V – type (10 mA/2 mA)	2.1	2.1	2.1	2.1	2.1	2.2	2.1	2.2	2.1	2.2	2.1	2.2
– max. (10 mA/2 mA)	3	3	3	3	3	3	3	3	3	3	3	3
Luminous intensity mcd – at 2 mA	–	1.5	–	3.1	–	1.4	–	3.2	–	2	–	3.3
– at 10 mA <sup>1)</sup>	1.8	13.4	2.2	25.1	2.7	13.4	3.4	28.6	3.2	24.6	3.9	25.7
– at 20 mA <sup>1)</sup>	3.6	26.8	4.4	48.2	5.4	28.7	6.8	60.8	6.4	54.9	7.8	54.6
Wavelength nm (10 mA/2 mA)	635	650	635	650	585	585	585	585	565	563	565	563
Thermal resistance °C/W	400	470	350	390	400	470	350	390	400	470	350	390
Angle of reflected beam	$\pm 50^\circ$											
Storage temperature	–55 ... +100 °C											
Operating temperature	–55 ... +100 °C (low-current LED)/–40 ... +85 °C (Standard-LED)											
Solder temperature	260 °C/max. 5 sec (processing advice for wave soldering: protect plastic body against solder wave)											
Insulating body	PBT (Crastin)											
Flammability of insulation body	UL 94 V-0											

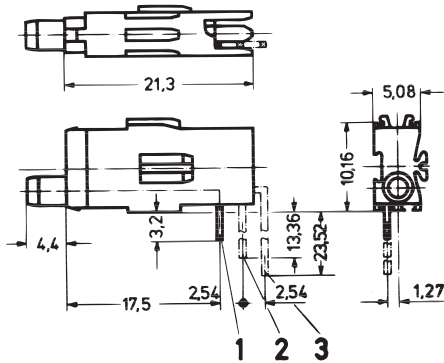
1) The low current LEDs can be used from 2 to 20 mA (without reduction of lifespan), which means that a significantly higher luminosity can be achieved.



## Front panel component system

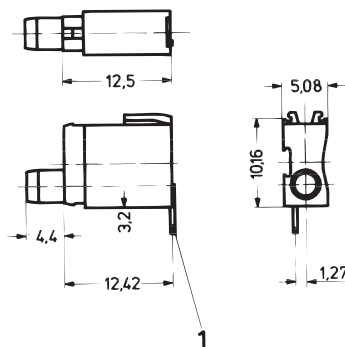
### Test socket, Ø 2 mm

Long type



1, 2, 3 = mounting plane

Short type



1 = mounting plane

A3-199b

KA943

- Long type for mounting plane 1, 2 and 3
- Short type for mounting plane 1

#### Order Information

For application in	1	2	3
	Part no.	Part no.	Part no.
Long type	69004-086	69004-087	69004-088
Short type	69004-130	-	-

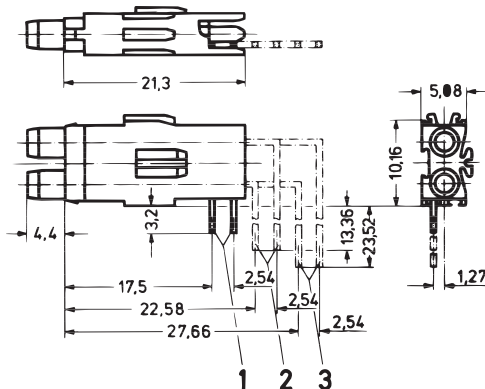
Delivery is exclusively in Standard Pack Quantity (SPQ):  
Please order at least 10 pieces or a multiple. Pricing is per individual item.

#### Note

- Dimensions of connecting pins: 0.3 × 0.6 mm
- Required front panel drill hole: Ø 4 mm
- Technical data see page 11.20

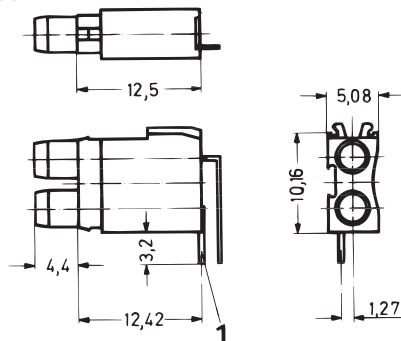
### Double test socket, Ø 2 mm

Long type



1, 2, 3 = mounting plane

Short type



1 = mounting plane

05009050

05009051

- Long type for mounting plane 1, 2 and 3
- Short type for mounting plane 1

#### Order Information

For application in	1	2	3
	Part no.	Part no.	Part no.
Long type	69004-089	69004-090	69004-091
Short type	69004-131	-	-

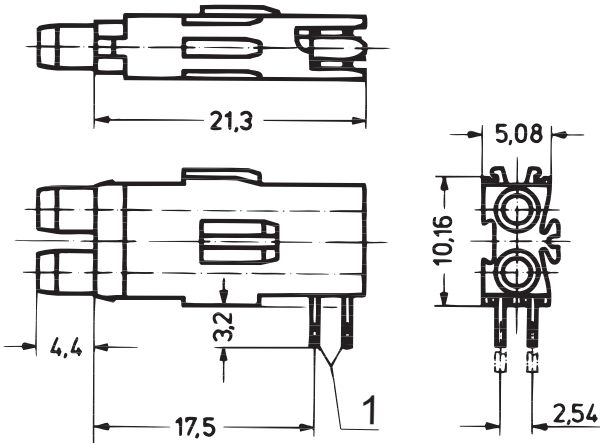
Delivery is exclusively in Standard Pack Quantity (SPQ):  
Please order at least 10 pieces or a multiple. Pricing is per individual item.

#### Note

- Dimensions of connecting pins: 0.3 × 0.6 mm
- Required front panel drill hole: Ø 4 mm
- Technical data see page 11.20

# Front panel component system

## Double make-break socket, Ø 2 mm



1 = mounting plane

A3-200

- Long type for mounting plane 1
- Gold-plated contacts
- Can also be used as test socket

### Order Information

For application in	Part no.
Long type	<b>69004-095</b>

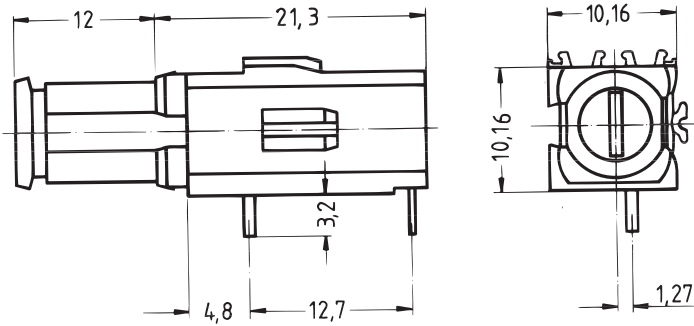
Delivery is exclusively in Standard Pack Quantity (SPQ):  
 Please order at least 10 pieces or a multiple. Pricing is per individual item.

### Note

- Dimensions of connecting pins: 0.3 × 0.6 mm
- Required front panel drill hole: Ø 4 mm
- Technical data see page 11.20

## Front panel component system

### Fuse holder



- Long type for mounting plane 1
- For glass fuse inserts 5 x 20 mm to DIN 41 571, 250 V<sub>AC</sub>, 6.3 A
- Contacts silver-plated

### Order Information

Description	Part no.
Long type	69004-098

Delivery is exclusively in Standard Pack Quantity (SPQ): Please order at least 10 pieces or a multiple. Pricing is per individual item.

### Note

- Dimensions of connecting pins: 0.7 x 0.6 mm
- Required front panel drill hole:  $\varnothing$  9 mm

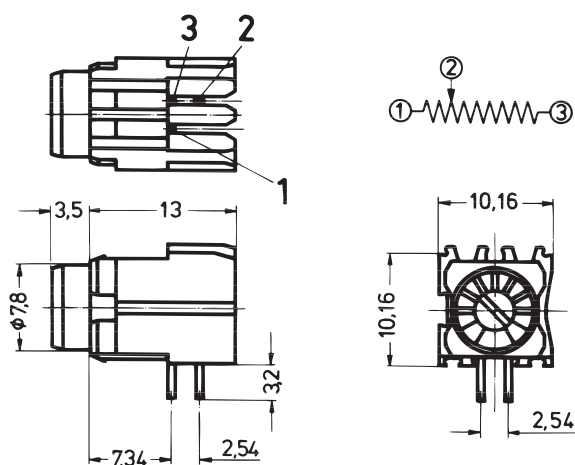
### Technical data for test sockets, fuse holders

	Test socket/make-break socket	Double test socket/ double make-break socket	Fuse holder
Operating voltage	$\leq 60$ V <sub>DC/AC</sub>	$\leq 30$ V <sub>AC</sub>	$\leq 250$ V <sub>AC</sub>
Operating current	$\leq 1$ A	$\leq 1$ A	$\leq 6.3$ A
Test voltage	1 kV/50 Hz	1 kV/50 Hz	-
Temperature range	-25 ... +70 °C	-25 ... +70 °C	-25 ... +70 °C
Solder temperature	260 °C/max. 5 sec (processing advice for wave soldering: protect plastic body against solder wave)		
Contact material	Copper alloy	Copper alloy	Copper alloy
Contact surface	Selectively gold-plated	Selectively gold-plated	Silver-plated
Insulating body	PBT (Crastin)	PBT (Crastin)	PBT (Crastin)
Climatic use category	HSF <sup>1)</sup> to DIN 40 040	HSF <sup>1)</sup> to DIN 40 040	HSF <sup>1)</sup> to DIN 40 040
Flammability	UL 94 V-0	UL 94 V-0	UL 94 V-0

<sup>1)</sup> H = -25 °C; S = +70 °C; F = 75 % air humidity, no condensation

## Front panel component system

### Cermet potentiometers



Pins 1 and 2 low-ohmic when left-hinged;  
pins 2 and 3 low-ohmic when right-hinged

- Short type for mounting plane 1

#### Order Information

Resistance kΩ	Part no.
1	<b>69004-169</b>
5	<b>69004-165</b>
20	69004-161
100	<b>69004-155</b>

Delivery is exclusively in Standard Pack Quantity (SPQ):  
Please order at least 10 pieces or a multiple. Pricing is per individual item.

#### Technical data

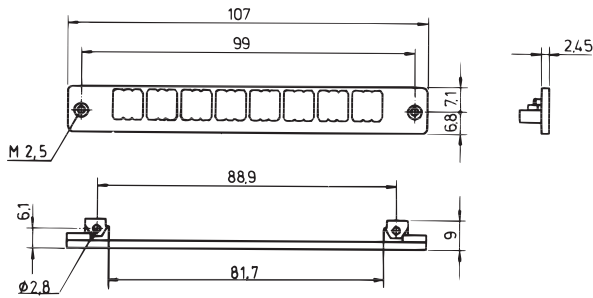
Operating voltage	≤ 200 V <sub>DC/AC</sub>
Operating current	≤ 100 mA
Load capacity	0.5 Watt at T <sub>a</sub> = 70 °C
Test voltage	500 V/50 Hz
Resistance tolerance	± 10 %
Electrical rotation angle	230° ± 5°
Insulation resistance change	100 MΩ
Contact resistance change	3 Ω or 3 %, use largest value
Torque at initial turning	0.021 Nm
Storage temperature	-55 ... +125 °C
Operating temperature	-25 ... +70 °C
Service life (full rotation)	200 cycles
Service life at 0.5 Watt load	1000 h at T <sub>a</sub> = 70 °C
Solder temperature	260 °C/max. 5 sec (processing advice for wave soldering: protect plastic body against solder wave)
Insulating body	PBT (Crastin)
Flammability	UL 94 V-0
Resistance of gasket to cleaning	85 °C max. 1 min.
Temperature coefficient	± 100 ppm/K

#### Note

- Dimensions of connecting pins: 0.45 × 0.45 mm
- Required front panel drill hole: Ø 8 mm
- When left-hinged: pins 1 and 2 low-ohmic
- When right-hinged: pins 2 and 3 low-ohmic

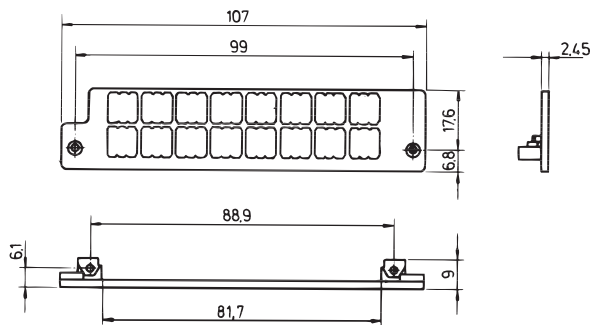
## Accessories Front panel component system

### Mounting frames with PCB bracket for mounting planes



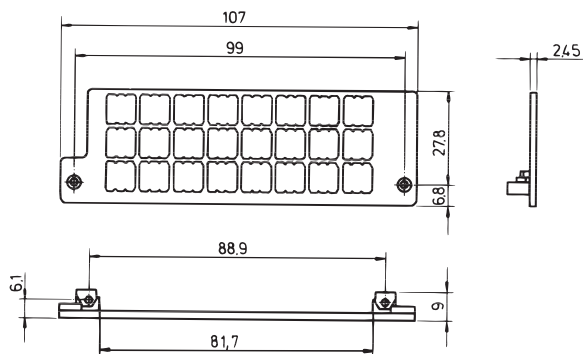
Mounting frame for mounting plane 1

KA942a



Mounting frame for mounting planes 1 and 2

KA942b



Mounting frame for mounting planes 1, 2 and 3

KA942c

- With 2 threaded female connectors M 2.5
- Material PBT
- Flammability UL 94 V-0

### Order Information

Description	Part no.
Mounting frame for mounting plane 1	69004-043
Mounting frame for mounting planes 1 and 2	69004-044
Mounting frame for mounting planes 1, 2 and 3	69004-045

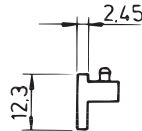
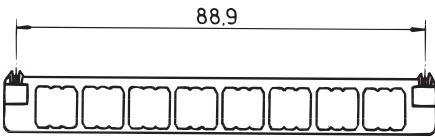
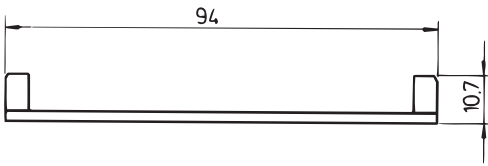
Delivery is exclusively in Standard Pack Quantity (SPQ):  
Please order at least 10 pieces or a multiple. Pricing is per individual item.

### Note

- Mounting frames nos. 69004-043, 69004-044 and 69004-045 cannot be used in conjunction with the aluminium profile handle for front panels

## Accessories Front panel component system

### Mounting frame with PCB bracket for frame type plug-in units



Mounting frame with PCB bracket for frame type plug-in units

- With 2 grub screws for fixing on PCBs
- Board thickness max. 1.6 mm
- Drilled hole for fixing board max. 2.8 mm

#### Order Information

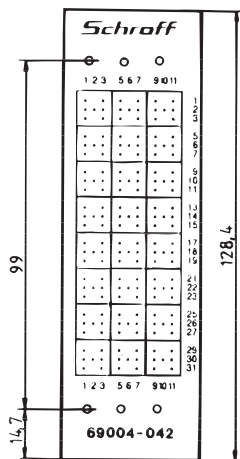
Description	Part no.
Support frame with board support for frame type plug-in units	<b>69004-046</b>

Delivery is exclusively in Standard Pack Quantity (SPQ); Please order at least 10 pieces or a multiple. Pricing is per individual item.

Mounting frame for mounting plane 1

KA942d

### Drilling template



- Design aid for processing of front panels

#### Order Information

Description	Material	Part no.
Drilling template	EPGC 02 (fibreglass reinforced Epoxy)	<b>69004-042</b>

Delivery is exclusively in Standard Pack Quantity (SPQ); Please order at least 10 pieces or a multiple. Pricing is per individual item.

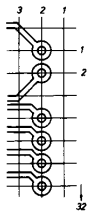
A4\_276



Accessories Front panel component system

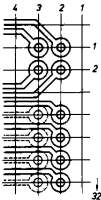
Design aids

PCB tracks  
View solder side  
Short type  
LED,  
Ø 3.2 mm



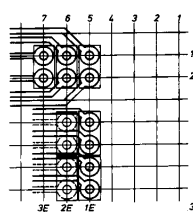
A4\_277a

Double LED,  
Ø 3.2 mm



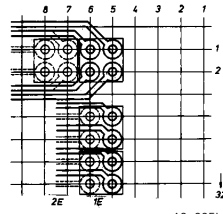
A4\_277b

View solder side  
Long type  
LED,  
Ø 3.2 mm



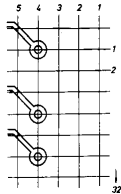
A3\_2U5a

Double LED,  
Ø 3.2 mm



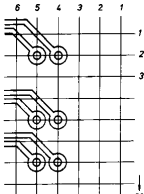
A3\_205b

Test socket,  
Ø 2 mm



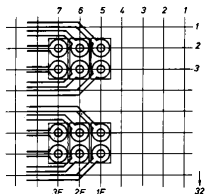
A3\_215a

Double test socket,  
Ø 2 mm



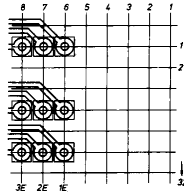
A3\_215b

LED,  
Ø 5 mm



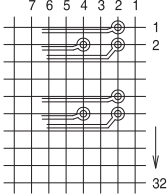
A4\_272

Test socket,  
Ø 2 mm



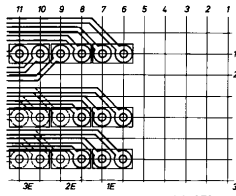
A3\_205c

Potentiometer



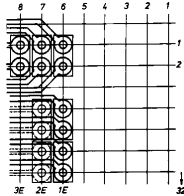
FEA45990

Double test socket,  
Ø 2 mm



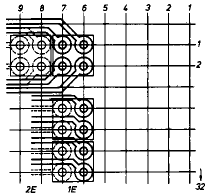
A4\_273

Make/break socket,  
Ø 2 mm



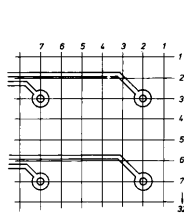
A2\_114a

Double make-break socket,  
Ø 2 mm



A2\_114b

Fuse holder



A2\_114d

Dimensions of connecting pins	Recommended hole Ø	Solder eyes Ø
0.5 × 0.5 mm	1.0 mm ± 0.05	2.1 mm ± 0.1
0.63 × 0.63 mm	1.1 mm ± 0.05	2.2 mm ± 0.2
0.3 × 0.6 mm	0.9 mm ± 0.05	2.0 mm ± 0.2
0.7 × 0.6 mm	1.1 mm ± 0.05	2.1 mm ± 0.2
0.4 × 0.6 mm	0.9 mm ± 0.05	2.0 mm ± 0.2
0.45 × 0.45 mm	0.7 mm ± 0.05	1.8 mm ± 0.2

PCB tracks width min. 0.6 mm  
Grid 2.54 mm



## Appendix – Order notes

### Packaging units

A packaging unit (PU) - e.g. carton, bag - contains the stated quantity. If you order the quantity 1, you will automatically receive the quantity defined as PU.

Example: EMC textile gasket  
See page 5.22  
Part number 21101-853

Quantity (per part number): 10 pieces

Order quantity: . . . . . Delivery quantity:

1 . . . . .	10 pieces
2 . . . . .	20 pieces
3 . . . . .	30 pieces

### Price list

Our price list is available by e-mail from your customer consultant. Please find all contact details at [www.schroff.biz/contact](http://www.schroff.biz/contact).

### Always up-to-date

Please visit our website [www.schroff.biz](http://www.schroff.biz) where we continuously inform about news and technical changes.

### Quick links

**Catalogue request:** [www.schroff.biz/catalogues](http://www.schroff.biz/catalogues)

**Product configurators:** [www.schroff.biz/conf](http://www.schroff.biz/conf)

**Contact details:** [www.schroff.biz/contact](http://www.schroff.biz/contact)

**Product search:** [www.schroff.biz/oneclick](http://www.schroff.biz/oneclick)

**Front Panel Express:** [www.frontpanelexpress.eu](http://www.frontpanelexpress.eu)

**VARISTAR:** [www.varistar.co.uk](http://www.varistar.co.uk)

**Railway technology:** [www.schroff.co.uk/railway](http://www.schroff.co.uk/railway)

**IT Infrastructure:** [www.schroff.co.uk/datacom](http://www.schroff.co.uk/datacom)

### Standard pack quantity (SPQ)

Please take into consideration that deliveries may be carried out in the stated SPQs (SPQ, e.g. 5 pieces, 10 pieces, 50 pieces, etc.). Differing order quantities (e.g. 2 pieces) may be changed to the next possible delivery quantity = Standard Pack Quantity (in this case 10 pieces).

Example: Front horizontal rail  
See page 5.31  
Part number 34560-228

Quantity (per part number): 1 piece  
Standard pack quantity (SPQ): 10 pieces

Order quantity: . . . . . Delivery quantity:

≤ 10 . . . . .	10 pieces
> 10 ≤ 20 . . . . .	20 pieces
> 20 ≤ 30 . . . . .	30 pieces

### Delivery times

Part numbers in bold face type are ready for despatch within 2 working days; part numbers in normal type are ready for despatch within 10 working days.

### Business relations

Schroff is exclusively operating in Business to Business (B2B). Private individuals can buy Schroff products via our sales representatives (see [www.schroff.biz/contact](http://www.schroff.biz/contact)).

### Responsible for contents and print

Schroff GmbH, Marketing Communication,  
D-75334 Straubenhardt, Germany

The data in this catalogue have been thoroughly edited and checked - in assistance with an accredited Quality Management System in accordance with EN ISO 9001:2008.

Faults and spelling mistakes, but mainly changes due to improvements and further developments of our products are subject to change. There is no possibility to claim indemnity/compensation.

<b>Cabinets</b>	Overview.....	1.0	LHX 20/40 Air/water heat exchangers.....	1.224	<b>1</b>
	Varistar Cabinet platform.....	1.2	LHX 3 Air/water heat exchangers.....	1.236	
	Varistar Electronics.....	1.10	Novastar.....	1.240	
	Varistar EMC.....	1.54	Eurorack.....	1.270	
	Varistar Seismic.....	1.84	Outdoor.....	1.316	
	Varistar MIL.....	1.120	Etsirack.....	1.346	
	Varistar Data/network systems.....	1.124	19" lab racks.....	1.354	
	Varistar Containment.....	1.202	PROLINE.....	1.362	
<b>Wall mounted case</b>	Overview.....	2.0			<b>2</b>
	Epcase.....	2.36			
	LAN wall-mounted distributors.....	2.46			
<b>Cabinet and wall-mounted case accessories</b>	Overview.....	3.0	Monitors, keyboards, monitoring.....	3.44	<b>3</b>
	Mechanics.....	3.2	Socket strips.....	3.50	
	Telescopic slides.....	3.24	Power control socket strips.....	3.72	
	Electrical.....	3.29			
<b>Climate control</b>	Overview.....	4.0	Accessories.....	4.58	<b>4</b>
	Cooling concepts/service.....	4.2			
	19" fan trays.....	4.4			
	Air filtered fans.....	4.20			
<b>Desktop enclosures</b>	Overview.....	5.0	Comptec.....	5.100	<b>5</b>
	RatiopacPRO.....	5.6	Accessories.....	5.108	
	PropacPRO.....	5.44	Interscale.....	5.200	
	CompacPRO.....	5.76	Minipac.....	5.230	
<b>Subracks/ 19" chassis</b>	Overview.....	6.0	EuropacPRO industrial applications.....	6.86	<b>6</b>
	EuropacPRO.....	6.2	EuropacPRO Rugged.....	6.92	
	EuropacPRO for railroad applications.....	6.70	MultipacPRO.....	6.112	
			Inpac.....	6.128	
<b>Front panels, Plug-in-units, Frame type plug-in-units</b>	Overview.....	7.0	PCB accessories.....	7.102	<b>7</b>
	Front panels.....	7.2			
	Plug-in units.....	7.16			
	Frame type plug-in units.....	7.64			
<b>Systems</b>	Overview.....	8.0	AdvancedMC modules.....	8.56	<b>8</b>
	AdvancedTCA.....	8.2	CompactPCI, Serial, PlusIO, PSB.....	8.68	
	AdvancedMC carriers.....	8.26	VME, VME64x, VXS, VPX.....	8.88	
	MicroTCA.....	8.36	Accessories.....	8.106	
<b>Power supply systems</b>	Overview.....	9.0	19" accessories.....	9.18	<b>9</b>
	19" AC/DC switched-mode PSUs.....	9.2	PSUs for MicroTCA.....	9.20	
	19" AC/DC linear regulators.....	9.12	PSUs for VMEbus.....	9.22	
	19" AC/DC convertors.....	9.15	PSUs for CompactPCI, VME64x.....	9.24	
<b>Backplanes</b>	Overview.....	10.0	VME64x, VMEbus.....	10.15	<b>10</b>
	CompactPCI, Serial, PlusIO.....	10.4	Power.....	10.18	
	PXI.....	10.11	Universal.....	10.19	
	VXS.....	10.14	Test adaptors.....	10.20	
<b>Connectors, Front panel component systems</b>	Overview.....	11.0			<b>11</b>
	Connectors.....	11.2			
	Front panel component system.....	11.12			
<b>Appendix</b>	Standards abbreviations.....	12.0			<b>12</b>
	Notes on ordering.....	12.10			
	Order number index.....	12.11			
	Product index.....	12.62			

**EN** - For pricing and availability in your local country please visit one of the below links:

**DE** - Informationen zu Preisen und Verfügbarkeit in Ihrem Land erhalten Sie über die unten aufgeführten Links:

**FR** - Pour connaître les tarifs et la disponibilité dans votre pays, cliquez sur l'un des liens suivants:

[69004-125](#)

[69004-125](#)

[69004-130](#)

[69004-130](#)

**EN**

This Datasheet is presented by  
the manufacturer

**DE**

Dieses Datenblatt wird vom  
Hersteller bereitgestellt

**FR**

Cette fiche technique est  
présentée par le fabricant