

Power Transfer Door Loops

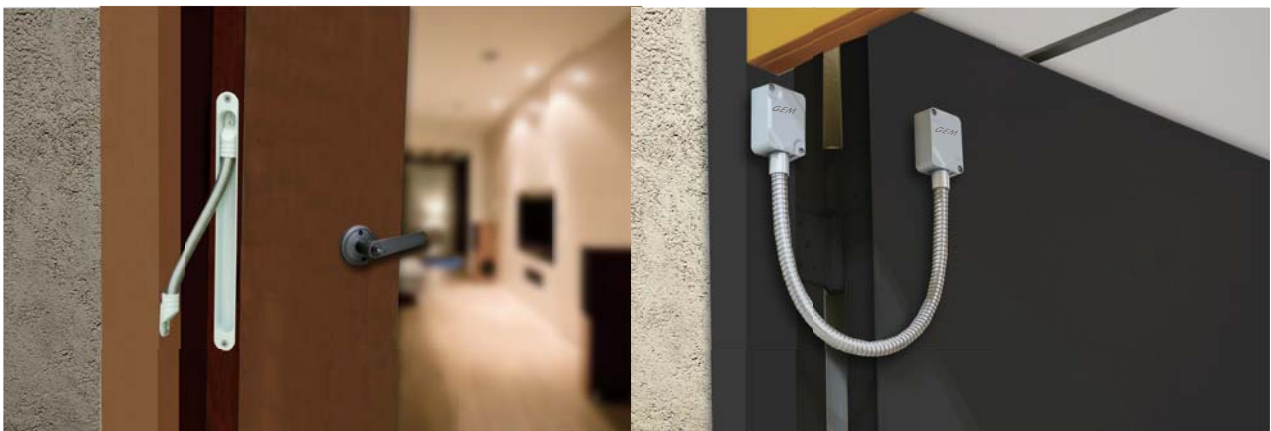
Patented, Durable and Tamper Resistant



DL-350 Series

DL-350-40-BA

The GEM family of DL series power transfer door loops offer a protective means of running wires from the frames to the doors which have electrical devices installed. These power transfer door loops protect the wires from objects that may cause damages whilst maintain the aesthetics. The power transfer door loops are available in both surface and concealed mortise mount. Heavy duty loops are also available for enhanced durability against weathering while some of the series also offer varying conduit length.



Power Transfer Door Loops

Models	Description	Length of Conduit/ Case Dimensions	Conduit Construction	Conduit Diameter	
				Inside	Outside
Surface Mounted Loops					
DL-200A-30 DL-200A-40 DL-200A-50	<ul style="list-style-type: none"> Armoured flex conduit Aluminum end caps 	11 13/16" (300mm) 15 3/4" (400mm) 19 11/16" (500mm)	Stainless steel	1/4" (7mm)	7/16" (10.7mm)
DL-200P-30 DL-200P-40 DL-200P-50	<ul style="list-style-type: none"> Armoured flex conduit Silver plastic end caps 	11 13/16" (300mm) 15 3/4" (400mm) 19 11/16" (500mm)	Stainless steel	1/4" (7mm)	7/16" (10.7mm)
Heavy Duty Surface Mounted Loops					
DL-330-40	<ul style="list-style-type: none"> Armoured flex conduit Aluminum end caps 	15 3/4" (400mm)	Stainless steel	3/8" (9mm)	1/2" (12mm)
DL-350-40 DL-350-46 DL-350-50 DL-350-60 DL-350-71 DL-350-85	<ul style="list-style-type: none"> Armoured flex conduit Aluminum end caps Silver finish 	15 3/4" (400mm) 18 1/8" (460mm) 19 11/16" (500mm) 23 5/8" (600mm) 27 15/16" (710mm) 33 7/16" (850mm)	Stainless steel	5/16" (8mm)	1/2" (12mm)
DL-350-40-BA	<ul style="list-style-type: none"> Armoured flex conduit Aluminum end caps Black finish 	15 3/4" (400mm)	Stainless steel	5/16" (8mm)	1/2" (12mm)
DL-350SP-40 DL-350SP-60	<ul style="list-style-type: none"> Armoured flex conduit Aluminum end caps 	15 3/4" (400mm) 23 5/8" (600mm)	Retractable spring steel	5/16" (8mm)	1/2" (12.5mm)
DL-370	<ul style="list-style-type: none"> Armoured flex conduit Aluminum end boxes with removable covers Silver finish 	15 3/4" (400mm)	Stainless steel	5/16" (8mm)	1/2" (12.5mm)
DL-370-US40	<ul style="list-style-type: none"> Armoured flex conduit Aluminum end boxes with removable covers US40 finish 	15 3/4" (400mm)	Stainless steel	5/16" (8mm)	1/2" (12.5mm)
ADL-850	<ul style="list-style-type: none"> Armoured flex conduit Aluminum end boxes with removable covers Silver finish 	33 7/16" (850mm)	Stainless steel	5/16" (8mm)	1/2" (12mm)
Mortise Mounted Loops					
DL-400	<ul style="list-style-type: none"> Flex conduit Nickel-plated steel case 	11 7/16"L x 15/16"W x 5/8"D (290 L x 24.5 W x 16.3D mm)	Nickel-plated steel	3/8" (9mm)	9/16" (14.5mm)
DL-417ST	<ul style="list-style-type: none"> Flex conduit & case Metal frame Stainless steel case 	11 7/16"L x 15/16"W x 13/16"D (290 L x 24.5 W x 20D mm)	Stainless steel	3/8" (10mm)	9/16" (14.5mm)
DL-500	<ul style="list-style-type: none"> Flex conduit Wood frame Zinc alloy case in ivory finish 	11 1/2"L x 1"W x 11/16"D (292 L x 24.8 W x 18D mm)	Stainless steel	3/8" (9mm)	9/16" (14mm)
DL-500MP	<ul style="list-style-type: none"> Flex conduit Wood frame Zinc alloy case in matte chrome finish 	11 1/2"L x 1"W x 11/16"D (292 L x 24.8 W x 18D mm)	Stainless steel	3/8" (9mm)	9/16" (14mm)

* Standard length of conduit is 15 3/4" (400mm) long.
DL-200-P also has a 500 mm length of conduit in black/white finish.

Warranty

The product is warranted against defects in material and workmanship while used in normal service for a period of 1 year from the date of sale to the original customer. The GEM policy is one of continual development and improvement; therefore GEM reserves the right to change specifications without notice.

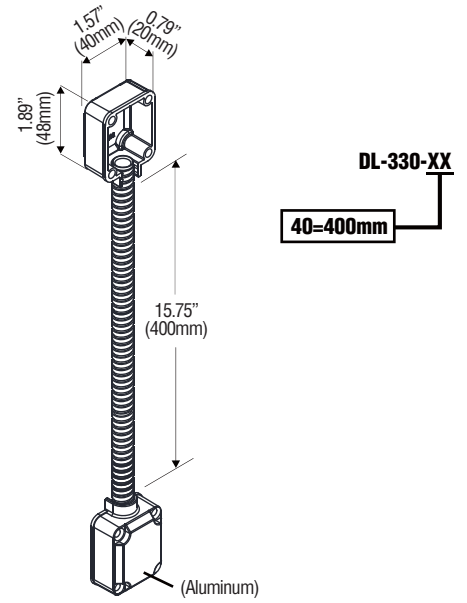
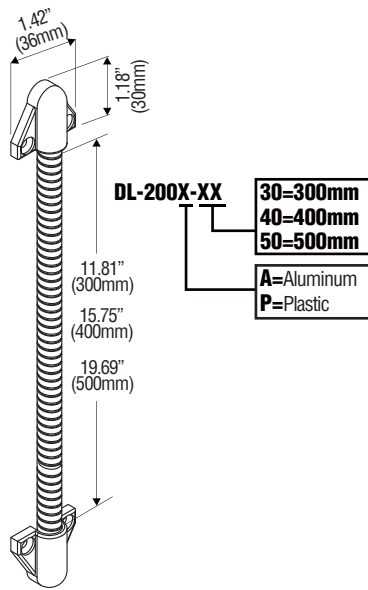
Dimensions



DL-200A-30



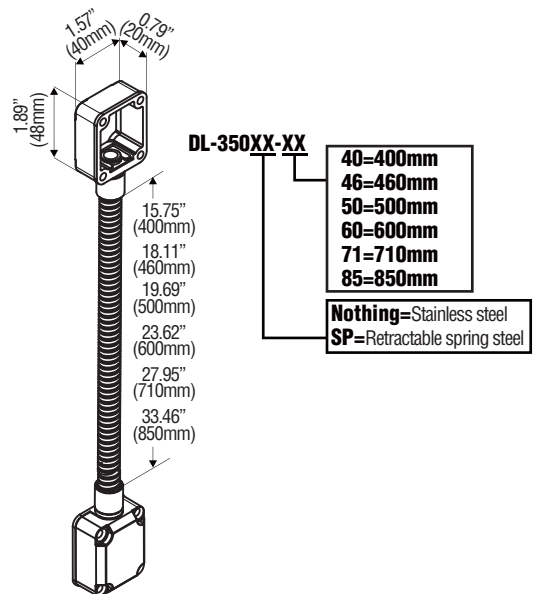
DL-330-40



DL-350 Series



DL-350-40-BA



Dimensions



DL-370

Patents: Taiwan - M510002

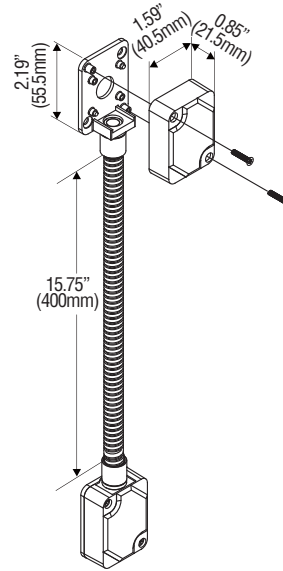


DL-370-US40

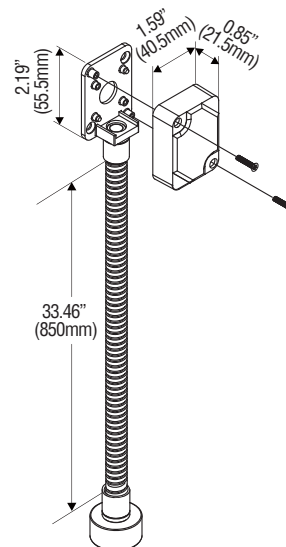
Patents: Taiwan - M510002

DL-370-XX

Nothing=Sliver finish
US40=US40 (Duranodic) finish



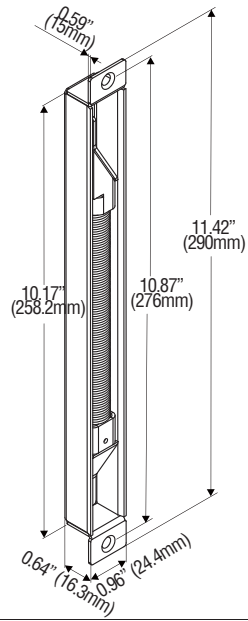
ADL-850



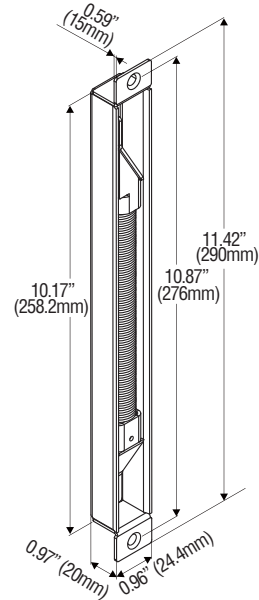
Dimensions



DL-400

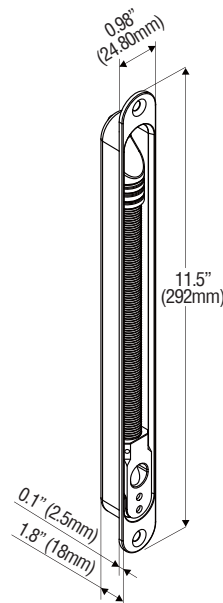


DL-417ST



DL-500

Patents: China - ZL 2012 2 0022520.9
Taiwan - M427434



DL-500-XX

Nothing=Ivory finish
MP=Matte chrome finish

Power Transfer Door Loops

Patented, Easy Installation with Terminal Boards



DL-360TB



DL-500-TB



DL-417ST-TB

The GEM family of TB series power transfer door loops utilize detachable terminal blocks for quick installation and simple maintenance. These power transfer door loops contain a PC board that connect to up to 8 wires (24 gauge) in each end. The detachable terminal blocks on the PC board allow easy connection and disconnection of wires and save installation time. Surface and mortise mount versions are available.

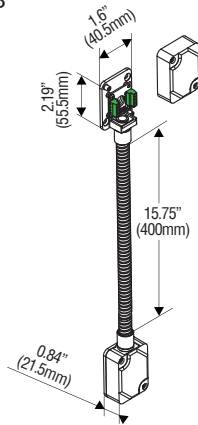


Power Transfer Door Loops with Terminal Boards

Models	Description	Length of Conduit/ Case Dimensions	Conduit Diameter	
			Inside	Outside
Heavy Duty Surface Mounted Loop with Terminal Boards				
DL-360TB DL-360TB-US40	<ul style="list-style-type: none"> • 8 of 24AWG wires built-in • Stainless steel armoured flex conduit • Aluminum end boxes with removable covers • Detachable terminal blocks • Silver or US40 finish 	15 3/4" (400mm)	3/8" (9mm)	1/2" (12.5mm)
Mortise Mounted Loops with Terminal Boards				
DL-417ST-TB	<ul style="list-style-type: none"> • 8 of 24AWG wires built-in • Detachable terminal blocks • Stainless steel flex conduit & case • Metal frame 	12 5/8" L x 1" W x 2 1/6" D (320 L x 25W x 53D mm)	3/8" (10mm)	9/16" (14.5mm)
DL-500-TB	<ul style="list-style-type: none"> • 8 of 24AWG wires built-in • Detachable terminal blocks • Ivory zinc alloy case • Stainless steel flex conduit • Wood frame 	12 5/8" L x 15/16" W x 2 3/16" D (320 L x 24.5 W x 55 D mm)	3/8" (9mm)	9/16" (14mm)

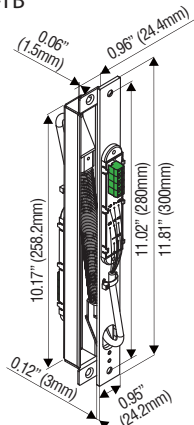
Dimensions

DL-360TB



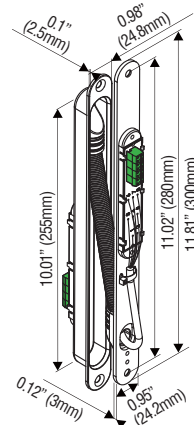
Patent: Taiwan - M510002

DL-417ST-TB



All dimensions in (mm)

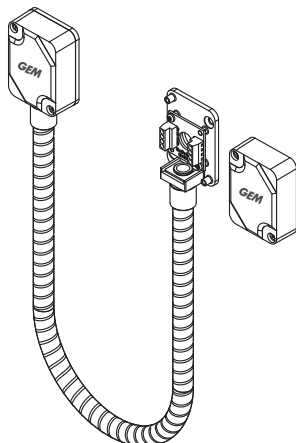
DL-500-TB



Patents: China - ZL 2012 2 0022520.9
Taiwan - M427434

DL-360TB with Terminal Boards

The DL-360TB with Terminal Boards is designed with convenient terminal block concept for safe, easy and quick installation. Simply attach the wires to the detachable terminal blocks and plug into each end of the conduit.



DL-360TB with Terminal Boards

Warranty

The product is warranted against defects in material and workmanship while used in normal service for a period of 1 year from the date of sale to the original customer. The GEM policy is one of continual development and improvement; therefore GEM reserves the right to change specifications without notice.