

2-PIECE FULL PORT FLANGED BALL VALVES

FIG. S-208F / C-208F: PN16 FLANGED ENDS.

FEATURES:

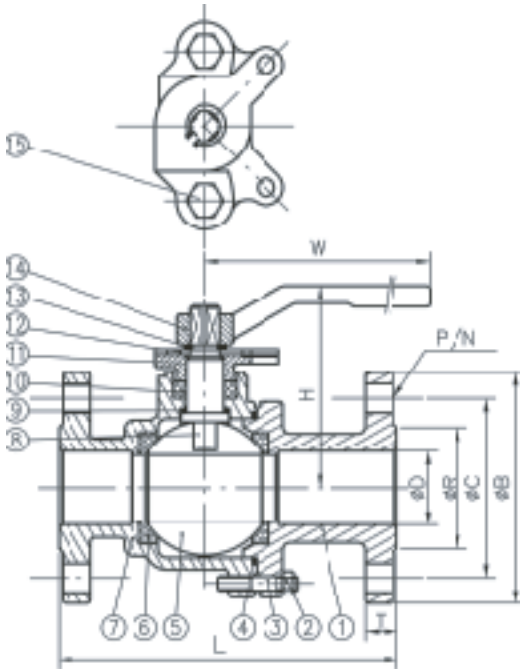
- Split body design with flanged ends for fast installation, in-line maintenance and rebuilding. Solid ball construction provides structural integrity and minimizes flow turbulence.
- Body joint is designed to prevent excessive compression of valve internals, resulting in a consistent and low operating torque.
- Bottom-loaded blow-out proof stem.
- Basic design complied with DIN 3339, DIN 3357-1, DIN 3357-2, & EN12516-1.
- Flanged ends complied with DIN 2501-1 & DIN 2543 PN 16 (for Fig. S-208F); DIN 2501-1 & DIN 2545 PN40 (for Fig. S-209F).
- Face-to-face dimensions complied with DIN 3202-1.
- Tested according to DIN 3357-1, DIN 3230-3 (strength & leakage test), & API 598.



MATERIALS LIST:

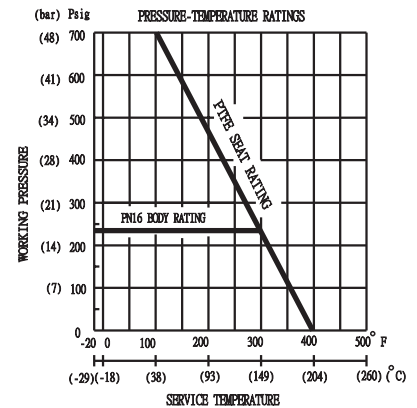
NO.	PARTS	S-208F/S-209F	C-208F/C-209F
1	END CAP	DIN 17445 1.4408 / CF8M	DIN 17245 1.0619 / WCB
2	NUT	DIN 17445 1.4301 / GR. 8	CARBON STEEL / GR. 2H
3	BODY JOINT BOLT	DIN 17445 1.4301 / GR. B8	CARBON STEEL / GR. B7
4	GASKET	PTFE	PTFE
5	BALL	DIN 17445 1.4408 / CF8M	DIN 17445 1.4308 / CF8
6	SEAT	PTFE	PTFE
7	BODY	DIN 17445 1.4408 / CF8M	DIN 17245 1.0619 / WCB
8	STEM	DIN 17445 1.4401 / AISI 316	DIN 17440 1.4301 / AISI 304
9	THRUST WASHER	PTFE	PTFE
10	STEM PACKING	PTFE	PTFE
11	GLAND	DIN 17445 1.4308 / CF8	DIN 17445 1.4308 / CF8
12	HANDLE STOPPER	DIN 17440 1.4301 / AISI 304	DIN 17440 1.4301 / AISI 304
13	SNAP RING	AISI 420	AISI 420
14	HANDLE	DIN 1693-1 0.7050 / FCD 45	DIN 1693-1 0.7050 / FCD 45
15	GLAND BOLT	DIN 17440 1.4301 / AISI 304	DIN 17440 1.4301 / AISI 304
16	WASHER	DIN 17440 1.4301 / AISI 304	DIN 17440 1.4301 / AISI 304
17	BELLEVILLE WASHER	AISI 301	AISI 301
18	PACKING NUT	DIN 17440 1.4301 / AISI 304	DIN 17440 1.4301 / AISI 304
19	HANDLE	AISI 304	ZINC PLATED STEEL
20	HANDLE NUT	DIN 17440 1.4301 / AISI 304	DIN 17440 1.4301 / AISI 304
21	STOP SCREW	DIN 17440 1.4301 / AISI 304	DIN 17440 1.4301 / AISI 304

FIG S-208F/C-208F & S-209F/C-209F



OPTIONS:

- PACKING NUT & BELLEVILLE WASHER DESIGNED:
 FIG. S-238F/C-238F: PN16.
 FIG. S-239F/C-239F: PN40.
 -A : ANTI-STATIC DEVICE.
 -V : VENTED BALL.
 -G : EQUIPPED WITH GEAR OPERATOR.
 -P : EQUIPPED WITH PNEUMATIC ACTUATOR.



DIMENSIONS

SIZE		φD		L		T		φR		φC		φB		φP		N	H		W	
in	mm	in	mm	in	mm	in	mm	in	mm	in	mm	in	mm	in	mm		in	mm	in	mm
1/2"	15	0.59	15	4.53	115	0.55	14	1.77	45	2.56	65	3.74	95	0.55	14	4	3.35	85	4.92	125
3/4"	20	0.79	20	4.72	120	0.63	16	2.28	58	2.95	75	4.13	105	0.55	14	4	3.39	86	4.92	125
1"	25	1.00	25.4	4.92	125	0.63	16	2.68	68	3.35	85	4.53	115	0.55	14	4	3.62	92	5.71	145
1 1/2"	40	1.57	40	5.51	140	0.63	16	3.46	88	4.33	110	5.91	150	0.71	18	4	4.25	108	7.68	195
2"	50	1.97	50	5.91	150	0.71	18	4.02	102	4.92	125	6.50	165	0.71	18	4	4.92	125	9.84	250
2 1/2"	65	2.56	65	6.69	170	0.71	18	4.80	122	5.71	145	7.28	185	0.71	18	4	5.79	147	12.01	305
3"	80	3.15	80	7.09	180	0.79	20	5.43	138	6.30	160	7.87	200	0.71	18	8	6.34	161	12.01	305
4"	100	3.94	100	7.48	190	0.79	20	6.22	158	7.09	180	8.66	220	0.71	18	8	7.32	186	13.39	340
5"	125	4.92	125	12.80	325	0.87	22	7.40	188	8.27	210	9.84	250	0.71	18	8	8.66	220	21.65	550
6"	150	5.91	150	13.78	350	0.87	22	8.38	212	9.45	240	11.22	285	0.87	22	8	9.45	240	21.65	550
8"	200	7.87	200	15.75	400	0.94	24	10.55	268	11.61	295	13.39	340	0.87	22	12	11.81	300	39.37	1000
10"	250	9.84	250	17.72	450	1.02	26	12.60	320	13.98	355	15.94	405	1.02	26	12	13.98	355	39.37	1000

We reserve the rights to modify our product design or construction for improvement without prior notice.