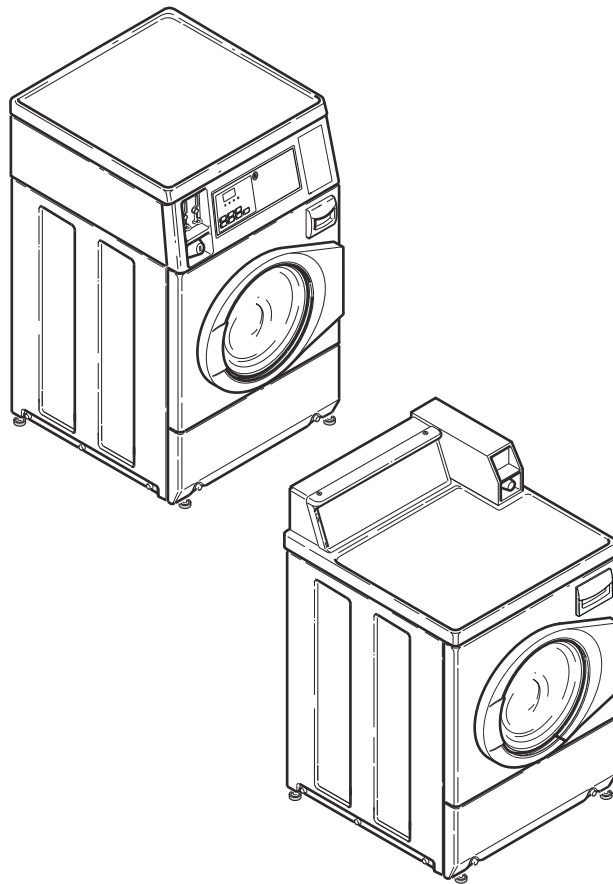


# Commercial Frontload Washers

Refer to Page 3 for Model Numbers



FLW1550C\_805863



# Table of Contents

Title	Page
Parts Ordering Information.....	2
Serial Plate Location .....	2
Model Identification .....	3
Control Panel and Controls .....	4
Top Assembly .....	6
Electrical Access Panel, Filters and Terminal Block (Drawing 1 of 3).....	8
Electrical Access Panel, Filters and Terminal Block (Drawing 2 of 3).....	10
Electrical Access Panel, Filters and Terminal Block (Drawing 3 of 3).....	12
Network Board Assembly.....	14
Control Cabinet Controls - Front Control Coin Drop Models.....	16
Non-Electronic Coin Drop, Cabinet Front and Wrapper Assembly .....	18
Electronic Coin Drop .....	20
Control Cabinet Controls - Front Control Card Reader Ready and OPL Models.....	22
Control Cabinet - 45 Degree Front Control Models (Drawing 1 of 2).....	24
Control Cabinet - 45 Degree Front Control Models (Drawing 2 of 2).....	26
Coin Drop, Meter Case and Cabinet Top.....	28
Control Panel, Control Hood and Controls (Drawing 1 of 2).....	30
Control Panel, Control Hood and Controls (Drawing 2 of 2).....	32
Control Hood Security Kit.....	34
Front Panel, Door Assembly and Door Seal .....	36
Front Panel Assembly .....	38
Door Lock Drip Shield .....	40
Dispenser Assembly .....	42
Mixing Valve and Dispenser Hose .....	44
Fill Hose (Drawing 1 of 2) .....	46
Fill Hose (Drawing 2 of 2) .....	48
Outer Tub, Clamp Ring and Shock Absorbers.....	50
Inner Basket, Trunnion, Bearing Housing and Pulley .....	52
Motor and Belt.....	54
Drain Hoses and Valve .....	56
Drain Hose and Pump.....	58
Drain Pump Shield .....	60
Side, Base and Rear Panels.....	62
Junction Box .....	64
Junction Box and Power Cord .....	66
Shipping Materials .....	68
Wire Ties, Harness Clips and Lead-In Cord.....	70
Special Tools .....	72
Washer Labels .....	74
Wire Harnesses and Wires .....	76
Parts Index.....	79

© Copyright 2017, Alliance Laundry Systems LLC

All rights reserved. No part of the contents of this book may be reproduced or transmitted in any form or by any means without the expressed written consent of the publisher.

## Parts Ordering Information

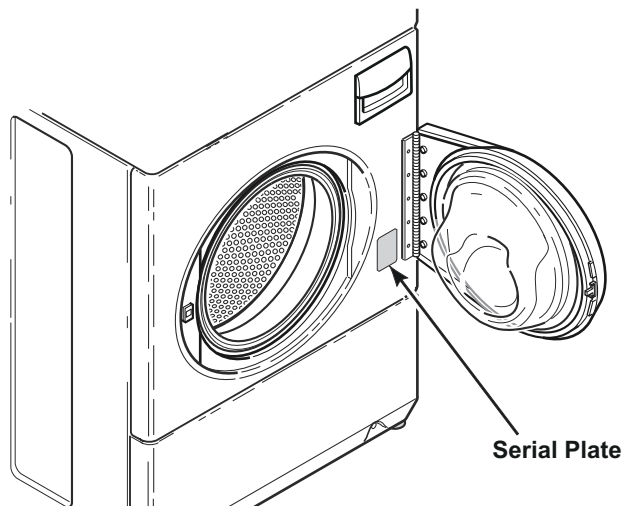
If literature or replacement parts are required, contact the source from whom the machine was purchased or contact Alliance Laundry Systems at (920) 748-3950 for the name and address of the nearest authorized parts distributor.

For technical assistance, call the number listed below:

(920) 748-3121 Ripon, Wisconsin

## Serial Plate Location

When calling or writing about your product, be sure to mention model and serial numbers. Model and serial numbers are located on serial plate(s) as shown.



FLW2407N\_805863

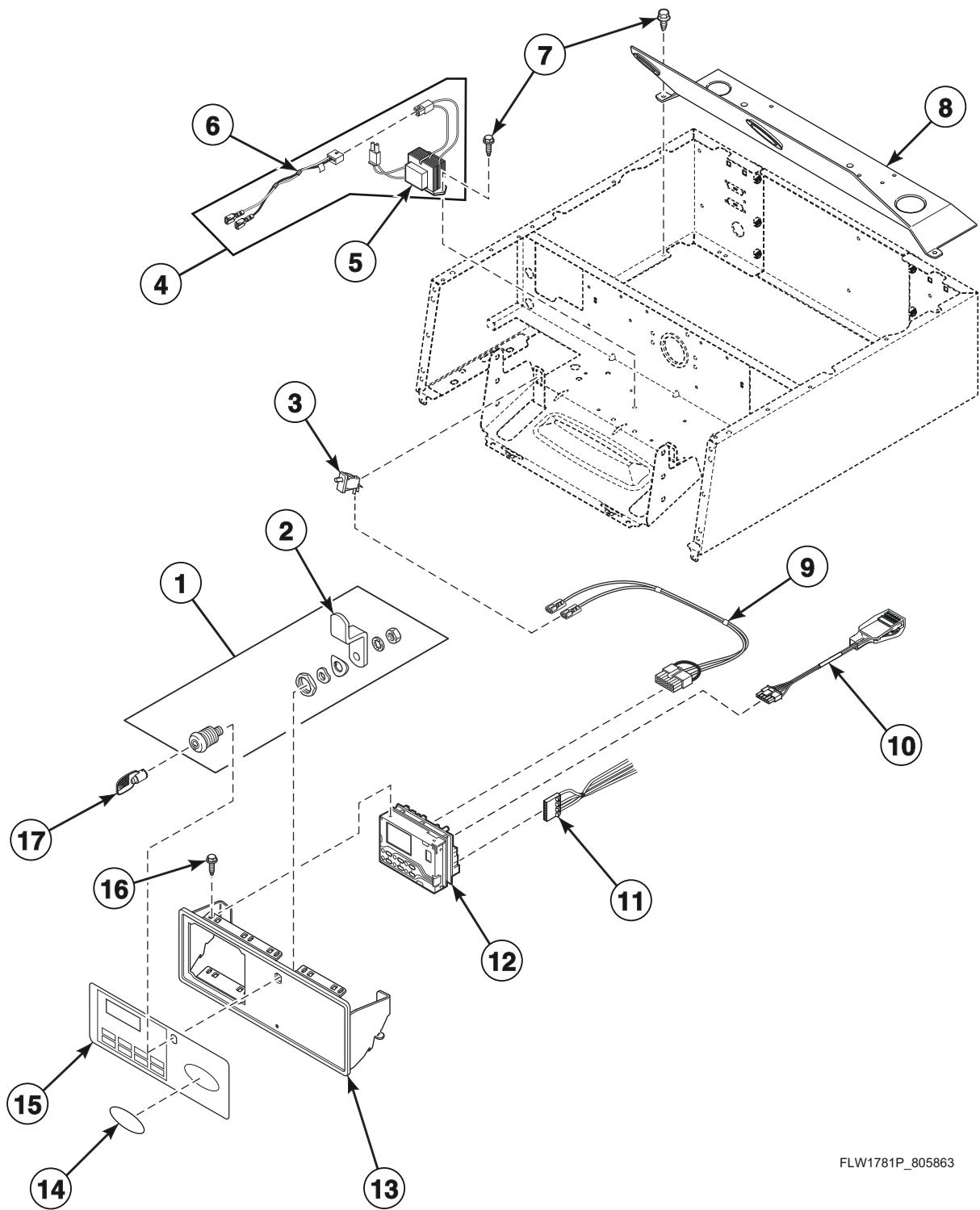
## Model Identification

Information in this manual is applicable to these washer models:

BF3JGBJG403UN01	JF3JEASP413EW06	SF3JXASP403EW06
BF3JGBJG403UN06	JF3JGASP413EW06	SFNNCAJP113TW01
BF3JGBJG403UW01	JF3JGBSP413EW06	SFNNCASG113TN01
BF3JGBJG403UW06	JF3JMASG413EN06	SFNNCASG113TQ01
BF3JGBJP403UN01	JF3JMBSG413EN06	SFNNCASG113TW01
BF3JGBJP403UN06	JF3JXASP413EW06	SFNNCASP113TN01
BF3JGBJP403UW01	JFNJEASG303EW06	SFNNCASP113TQ01
BF3JGBJP403UW06	JFNJEASP303EW06	SFNNCASP113TW01
BF3JGBSG403UN01	JFNJXASG303EW06	SFNNCRSP113TW01
BF3JGBSG403UN06	JFNJXASP303EW06	SFNNCRSP113TW02
BF3JGBSG403UW01	NF3JGBSP403SW01	SFNNEASP113CW01
BF3JGBSG403UW06	NF3JLBSG403UN01	SFNNERSP113CW02
BF3JGBSP403UN01	NF3JLBSG403UT01	SFNNXAJP113CN01
BF3JGBSP403UN06	NF3JLBSG403UT06	SFNNXASG113JW01
BF3JGBSP403UW01	NF3JLBSP403NN22	SFNNXASG113TW01
BF3JGBSP403UW06	NF3JLBSP403NW22	SFNNXASP113CN01
BF3JLBSG403UN01	NF3JLBSP403UN01	SFNNXASP113CW01
BF3JLBSG403UN06	NF3JLBSP403UT01	SFNNXASP113TN01
BF3JLBSG403UW01	NF3JLBSP403UT06	SFNNXASP113TW01
BF3JLBSG403UW06	NF3JLBSP403UW01	SFNNXASP123DW01
BF3JLBSP403UN01	NF3JXASG403UN01	SFNNXASP303AN01
BF3JLBSP403UN06	NF3JXASG403UW01	SFNNXASP303AN12
BF3JLBSP403UW01	NF3JXASP403NW22	SFNNXASP303AW01
BF3JLBSP403UW06	NF3JXASP403UN01	SFNNXASP303AW12
BF3JXASG403UN01	NF3JXASP403UW01	SFNNXASP543DW01
BF3JXASG403UN06	NF3JXASP403UW06	SFNNXRSP113CW02
BF3JXASP403UN01	NF3JYASG403UW01	SFNNXRSP113TW02
BF3JXASP403UN06	PF3JGBJG403UG06	SFNNXRSP543NW23
BF3JXASP403UW01	PF3JGBJP403UG06	SFNNYAJP113TW01
BF3JXASP403UW06	PF3JGBSG403UG06	SFNNYASG113TN01
HFNNEASP113CW01	PF3JGBSP403UG06	SFNNYASG113TW01
HFNNERSP113CW01	PF3JXASG403UG06	SFNNYASP113CW01
HFNNXASP113CN01	PF3JXASP403UG06	SFNNYASP113TN01
HFNNXASP113CW01	PFNJCASG114TG01	SFNNYASP113TW01
HFNNXASP123DW01	PFNJCASG114TN01	SFNNYBSP113TN01
HFNNXASP543DW01	PFNJCASP114TG01	SFNNYBSP113TW01
HFNNXRSP113CW01	PFNJCASP114TN01	SFNNYRSP113TW01
HFNNYASP113CW01	PFNJXASG114TG01	SFNWCASG113TN01
HFNNYBSP113CW01	PFNJXASG114TN01	SFNWCASP113TN01
HFNNYRSP113CW01	PFNJXASG303UG06	SFNWYASG113TN01
	PFNJXASG543ZG01	SFNWYASP113TN01
	PFNJXASP114TG01	SFNWYASP113TW01
	PFNJXASP303UG06	SFNWYRSP113TW01
	PFNJXASP304AG01	TF3JXASP403NW22
	PFNJXASP543ZG01	

# Control Panel and Controls

10 Degree Front Control Models



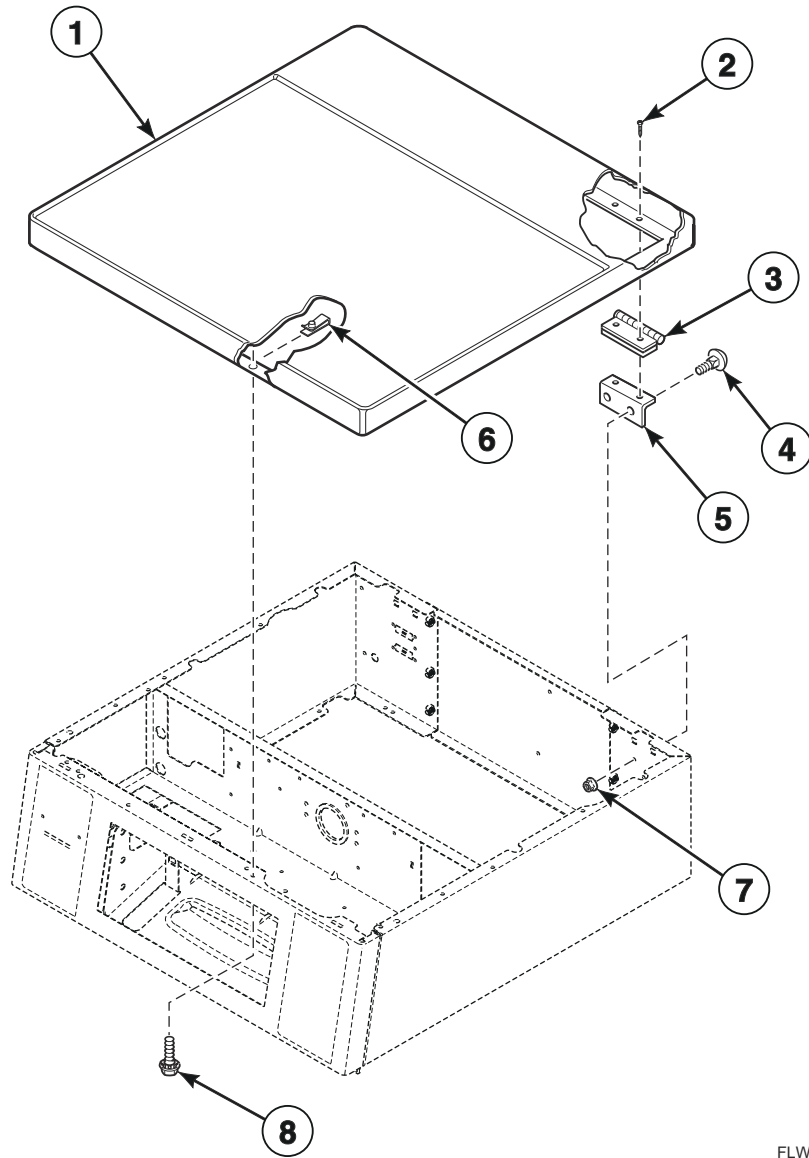
FLW1781P\_805863

## Control Panel and Controls

REF	PART NO.	DESCRIPTION	COMMENTS
	203328	Network Retrofit Kit	Wired
	NK220	Network Controller Kit	Wired
	203327	Wireless Network Kit	
	NK320	Ethernet Gateway Kit	Wireless
	203346	USB IR Interface Kit	
	NK330	USB Gateway Kit	Wireless
1	804339P	Lock Assembly	
2	804338	Lock Cam	
3	512973	Switch	
4	203423	Transformer Kit	120 Volt; Includes items 5 and 6
	203424	Transformer Kit	240 Volt; Includes items 5 and 6
5	202757	Transformer	120 Volt
	202758	Transformer	240 Volt
6	804795	Transformer Harness	120 Volt
	805428	Transformer Harness	240 Volt
7	503688	Screw	
8	804363	Control Shield	
9	202868	Wiring Harness Assembly	Diagnostic
10	203361P	Machine ID Control Assembly	Model or serial number is required when ordering
11	805427	Central Pay Harness	
12	804472P	Control Assembly	Red LEDs; Models BF3JXASG403UN01, BF3JXASG403UN06, BF3JXASP403UN01, BF3JXASP403UN06, BF3JXASP403UW01 and BF3JXASP403UW06
	806041P	Control Assembly	Blue LEDs; Models PF3JXASG403UG06, PF3JXASP403UG06, PFNJCASG114TG01, PFNJCASG114TN01, PFNJCASP114TG01, PFNJCASP114TN01, PFNJCASG114TG01, PFNJCASG114TN01, PFNJCASG303UG06, PFNJCASG543ZG01, PFNJCASP114TG01, PFNJCASP303UG06, PFNJCASP304AG01 and PFNJCASP543ZG01
	804471P	Control Assembly	Green LEDs; All other models
13	804070Q	Control Panel Assembly	Bisque
	804070W	Control Panel Assembly	White
	804070DG	Control Panel Assembly	Dark gray
	804070B	Control Panel Assembly	Black
14	804969	Label	Model SF3JXASP403EW06
	805914	Label	Model TF3JXASP403NW22
15	805374	Overlay	Models BF3JXASG403UN01, BF3JXASG403UN06, BF3JXASP403UN01, BF3JXASP403UN06, BF3JXASP403UW01 and BF3JXASP403UW06
	805766	Overlay	Models PF3JXASG403UG06, PF3JXASP403UG06, PFNJCASG303UG06, PFNJCASG543ZG01, PFNJCASP303UG06 and PFNJCASP543ZG01
	804851	Overlay	Models NF3JXASG403UN01, NF3JXASG403UW01, NF3JXASP403NW22, NF3JXASP403UN01, NF3JXASP403UW01, NF3JXASP403UW06, NF3JYASG403UW01, SF3JXASP403EW06 and TF3JXASP403NW22
	805377	Overlay	Models JF3JEASP413EW06, JF3JXASP413EW06, JFNJEASG303EW06, JFNJEASP303EW06, JFNJCASG303EW06 and JFNJCASP303EW06
	805373	Overlay	Models HFNNXASP113CW01, HFNNXASP113CN01, HFNNXASP113CW01, HFNNXASP123DW01, HFNNXASP543DW01 and HFNNYASP113CW01
	806173	Overlay	Models PFNJCASG114TG01, PFNJCASG114TN01, PFNJCASP114TG01, PFNJCASP114TN01, PFNJCASG114TG01, PFNJCASG114TN01, PFNJCASP114TG01 and PFNJCASP304AG01
	806015	Overlay	Model JF3JGASP413EW06
	806016	Overlay	Model JF3JMASG413EN06
	804849	Overlay	All other models
16	804647	Screw	
17	54612	Key	GR800

# Top Assembly

10 Degree Front Control Models



FLW1749P\_805863

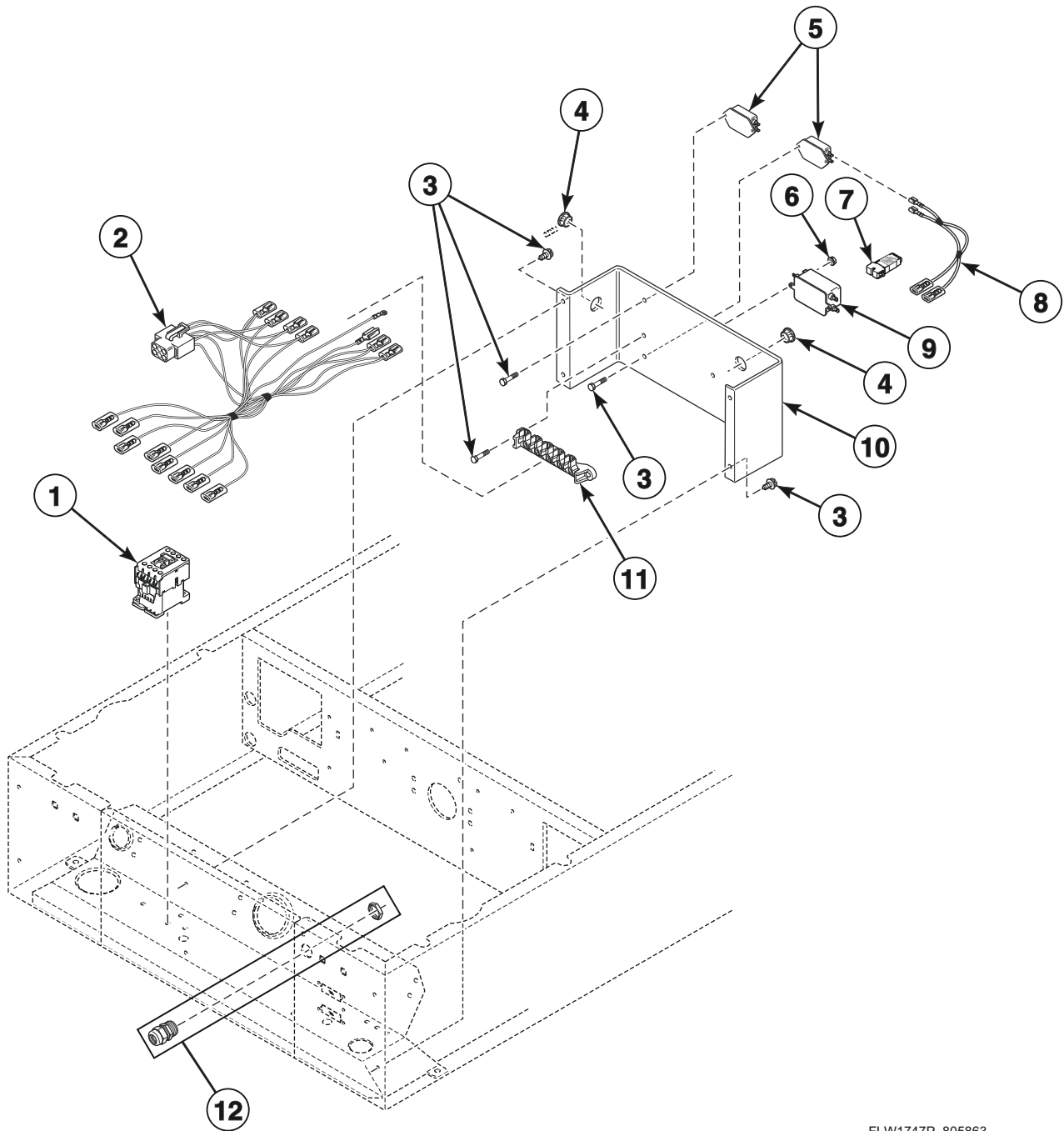


# Top Assembly

REF	PART NO.	DESCRIPTION	COMMENTS
1	803868WP	Top Panel	White
	803869	Top Panel	Stainless steel
	804023DG	Top Panel	Dark gray
	803868Q	Top Panel	Bisque
2	685847	Pop Rivet	
3	511036	Hinge	
4	29651	Bolt	
5	504228	Top Mounting Bracket	
6	36020	Nut	
7	44087201	Nut	
8	23008	Screw	

# Electrical Access Panel, Filters and Terminal Block (Drawing 1 of 3)

Models BF3JGBJG403UN01, BF3JGBJG403UN06, BF3JGBJG403UW01, BF3JGBJG403UW06, BF3JGBJP403UN01, BF3JGBJP403UN06, BF3JGBJP403UW01, BF3JGBJP403UW06, BF3JGBSG403UN01, BF3JGBSG403UN06, BF3JGBSG403UW01, BF3JGBSG403UW06, BF3JGBSP403UN01, BF3JGBSP403UN06, BF3JGBSP403UW01, BF3JGBSP403UW06, BF3JLBSG403UN01, BF3JLBSG403UN06, BF3JLBSG403UW01, BF3JLBSG403UW06, BF3JLBSP403UN01, BF3JLBSP403UN06, BF3JLBSP403UW01, BF3JLBSP403UW06, BF3JXASG403UN01, BF3JXASG403UN06, BF3JXASG403UW01, BF3JXASG403UW06, JF3JEASP413EW06, JF3JGASP413EW06, JF3JGBSP413EW06, JF3JMASG413EN06, JF3JMBSG413EN06, JF3JXASP413EW06, NF3JGBSP403SW01, NF3JLBSG403UN01, NF3JLBSG403UT01, NF3JLBSG403UT06, NF3JLBSP403NN22, NF3JLBSP403NW22, NF3JLBSP403UN01, NF3JLBSP403UT01, NF3JLBSP403UT06, NF3JLBSP403UW01, NF3JXASG403UN01, NF3JXASG403UW01, NF3JXASP403NW22, NF3JXASP403UN01, NF3JXASP403UW01, NF3JXASP403UW06, NF3JYASG403UW01, PF3JGBJG403UG06, PF3JGBJP403UG06, PF3JGBSG403UG06, PF3JGBSP403UG06, PF3JXASG403UG06, PF3JXASP403UG06, SF3JXASP403EW06 and TF3JXASP403NW22



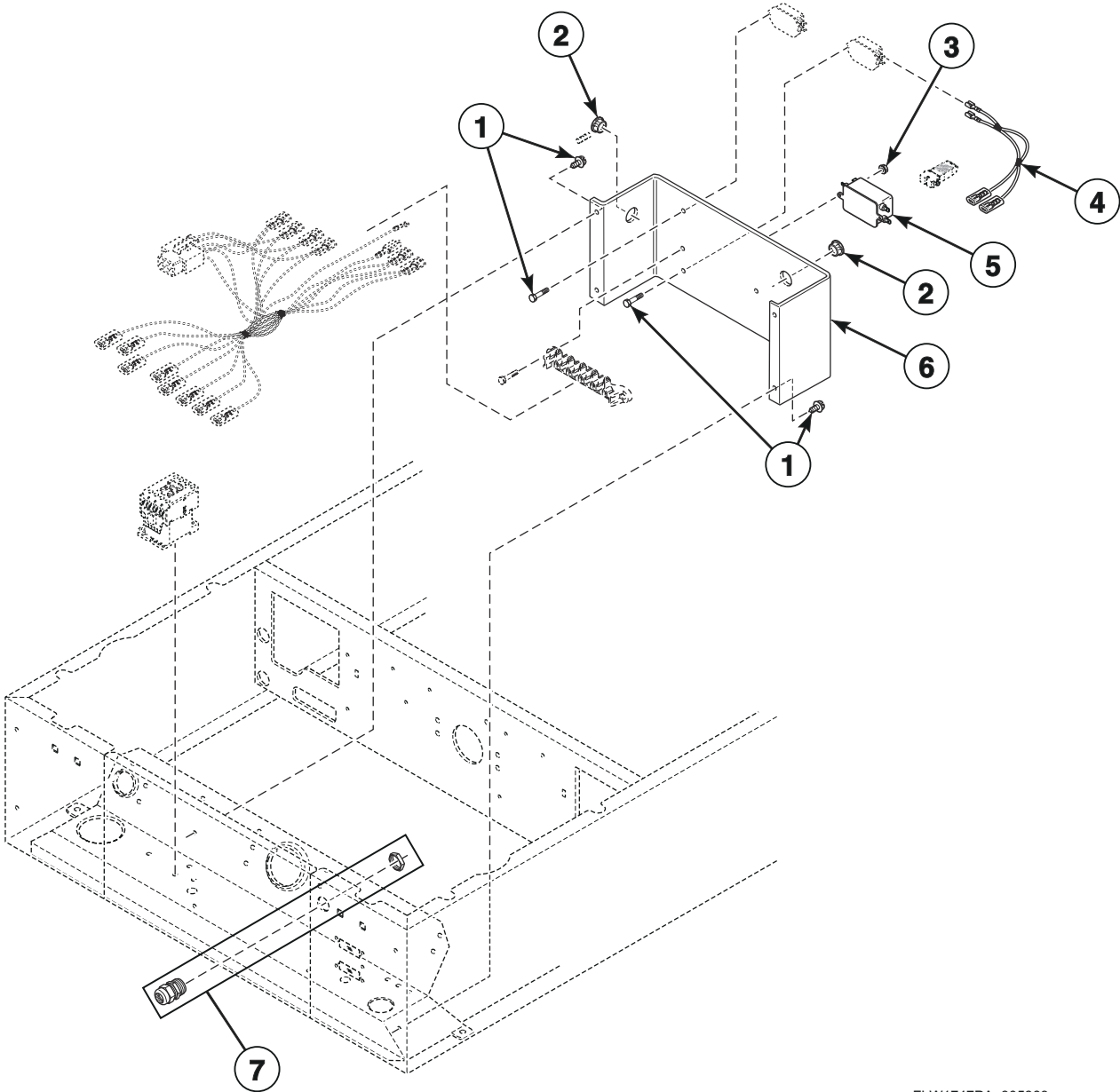
FLW1747P\_805863

## Electrical Access Panel, Filters and Terminal Block (Drawing 1 of 3)

REF	PART NO.	DESCRIPTION	COMMENTS
	804737	Terminal Block Harness	
	805356	Heater Contactor Drip Shield	
	805344	Terminal Block Drip Shield	
	805832	Conversion Kit	Use to convert from 400 Volt, 50 Hertz, 3 Phase to 230 Volt, 50 Hertz, Single Phase
1	70482603	Contactor	Through Serial Nos. beginning 1604
	806428	Contactor	Starting Serial Nos. beginning 1605
2	805544	Heat Contactor Harness	Through Serial Nos. beginning 1604
	806431	Heat Contactor Harness	Starting Serial Nos. beginning 1605
3	503661	Screw	
4	M400770	Snap Bushing	45 degree front models
	M402542	Snap Bushing	All other models
5	805634	Filter	
6	29787	Nut	
7	804651	Network Varistor Assembly	
8	804797	Filter Harness	Filter to main harness
9	805633	Line Filter	
10	804609	Terminal Block Panel	45 degree front models
	803988	Terminal Block Assembly	All other models
11	505876	Terminal Block Assembly	
12	801792P	Fitting	

# Electrical Access Panel, Filters and Terminal Block (Drawing 2 of 3)

Models HFNNXASP123DW01, HFNNXASP543DW01, PFNJXASG303UG06, PFNJXASG543ZG01, PFNJXASP303UG06,  
PFNJXASP304AG01, PFNJXASP543ZG01, SF3JXASP403EW06, SFNNXASP123DW01, SFNNXASP303AN01,  
SFNNXASP303AN12, SFNNXASP303AW01, SFNNXASP303AW12, SFNNXASP543DW01 and SFNNXRSP543NW23  
Models Through Serial Nos. Beginning 1610



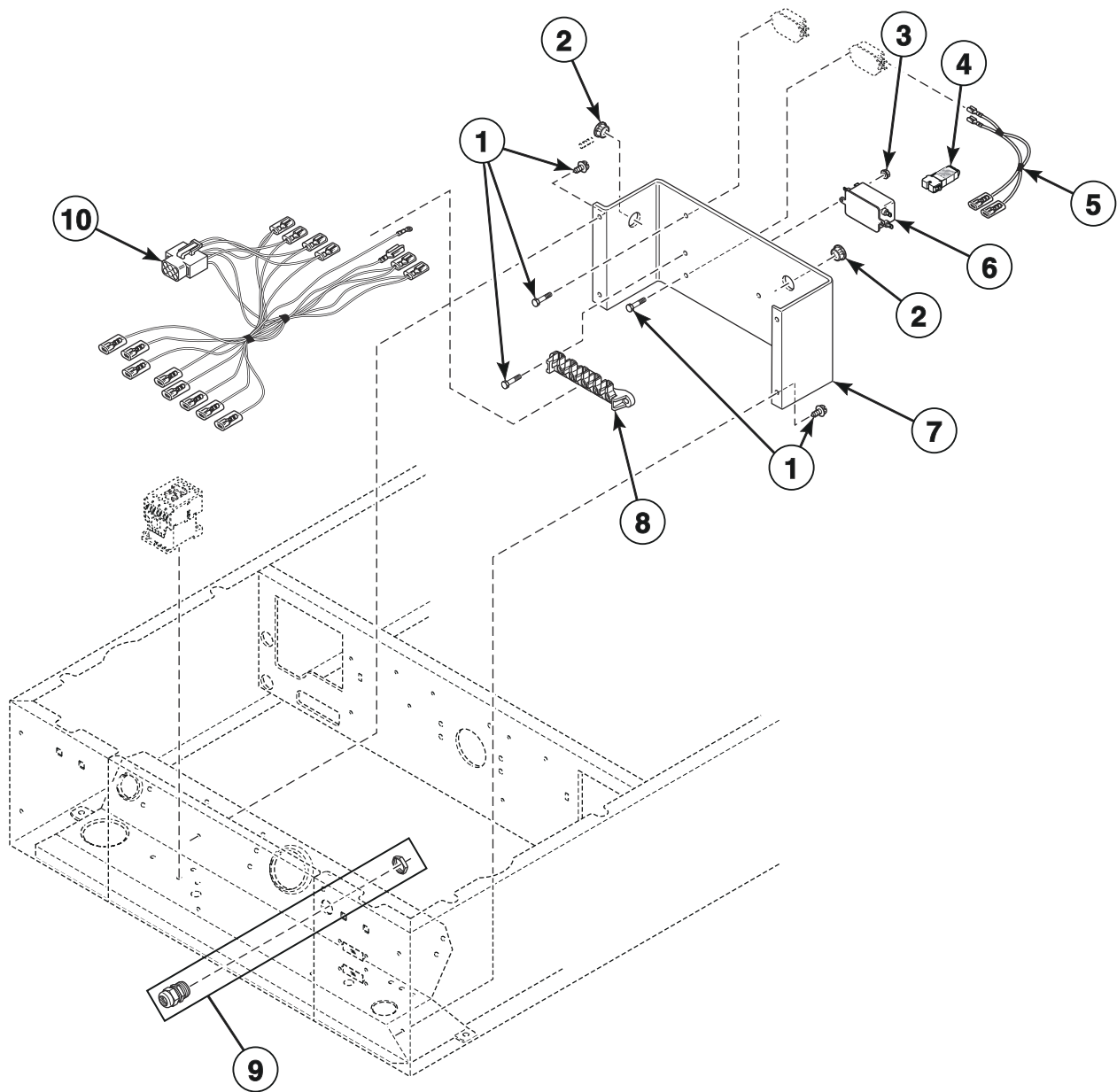
FLW1747PA\_805863

## Electrical Access Panel, Filters and Terminal Block (Drawing 2 of 3)

REF	PART NO.	DESCRIPTION	COMMENTS
	805344	Terminal Block Drip Shield	
1	503661	Screw	
2	M402542	Snap Bushing	
3	29787	Nut	
4	804797	Filter Harness	Filter to main harness
5	805633	Line Filter	
6	803988	Terminal Block Assembly	
7	801792P	Fitting	

# Electrical Access Panel, Filters and Terminal Block (Drawing 3 of 3)

Models JFNJEASG303EW06, JFNJEASP303EW06, JFNJXASG303EW06 and JFNJXASP303EW06



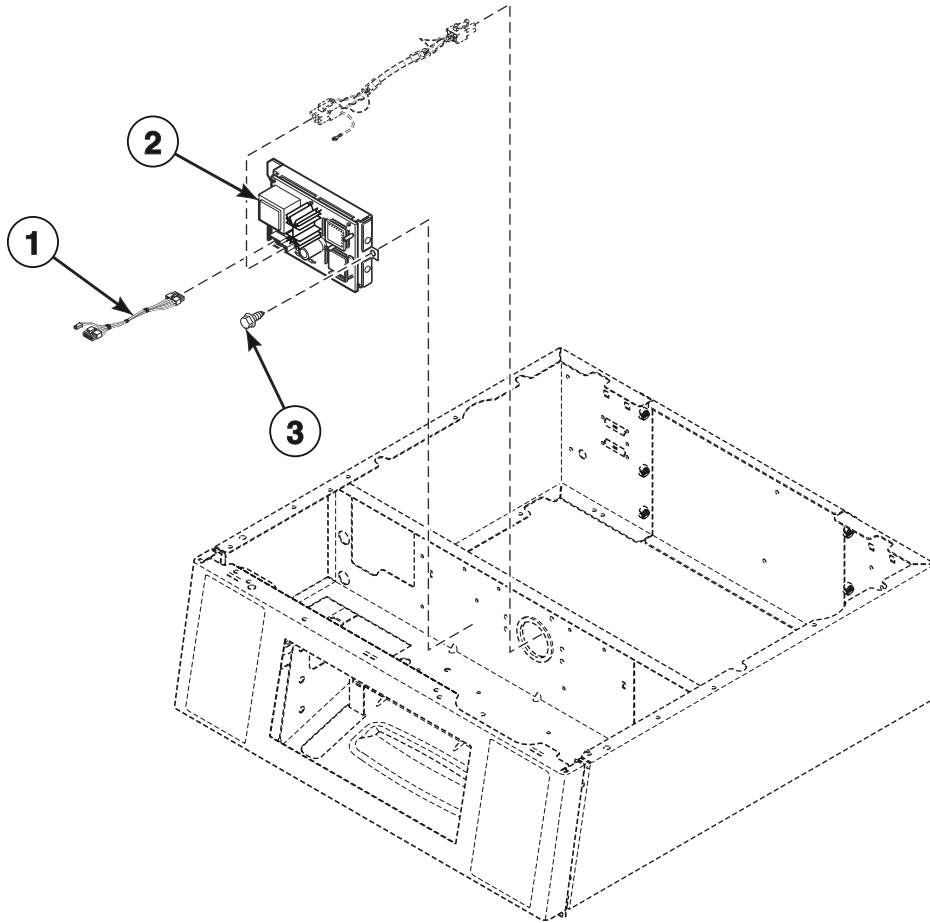
FLW1747PB\_805863

## Electrical Access Panel, Filters and Terminal Block (Drawing 3 of 3)

REF	PART NO.	DESCRIPTION	COMMENTS
	805344	Terminal Block Drip Shield	
1	503661	Screw	
2	M402542	Snap Bushing	
3	29787	Nut	
4	804651	Network Varistor Assembly	
5	804797	Filter Harness	Filter to main harness
6	805633	Line Filter	
7	803988	Terminal Block Assembly	
8	505876	Terminal Block Assembly	
9	801792P	Fitting	
10	804716	Terminal Block Harness	

# Network Board Assembly

Models SFNWCASG113TN01, SFNWCASP113TN01, SFNWYASG113TN01, SFNWYASP113TN01,  
SFNWYASP113TW01 and SFNWYRSP113TW01



SWD1288P\_805863

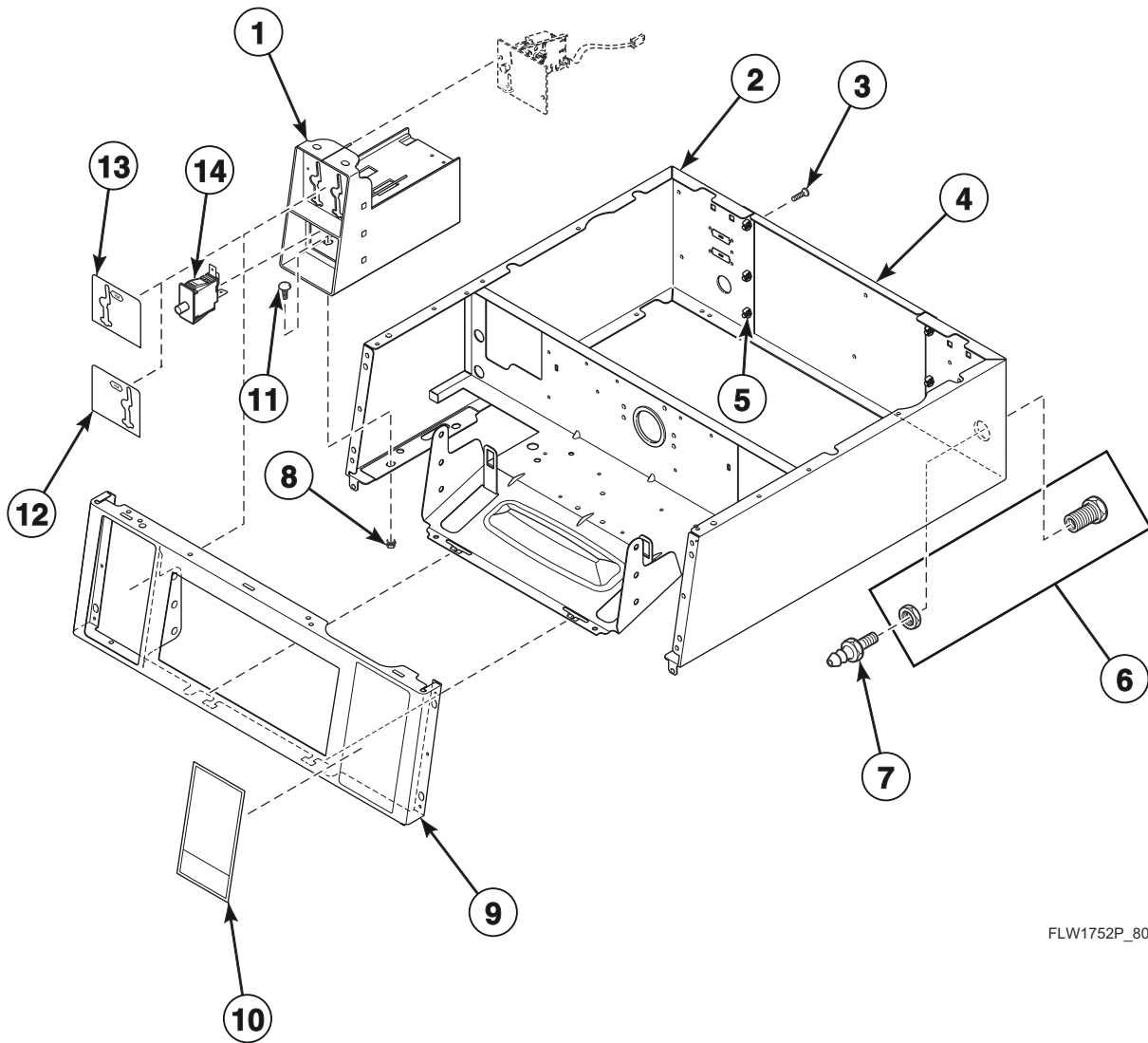


# Network Board Assembly

REF	PART NO.	DESCRIPTION	COMMENTS
1	44088501P	Network Wire Harness Assembly	
2	202335	Wireless Transceiver Assembly	
3	503661	Screw	

# Control Cabinet Controls - Front Control Coin Drop Models

Models BF3JXASG403UN01, BF3JXASG403UN06, BF3JXASP403UN01, BF3JXASP403UN06, BF3JXASP403UW01, BF3JXASP403UW06, HFNNEASP113CW01, HFNNXASP113CN01, HFNNXASP113CW01, HFNNXASP123DW01, HFNNXASP543DW01, JF3JEASP413EW06, JF3JXASP413EW06, JFNJEASG303EW06, JFNJEASP303EW06, JFNJXASG303EW06, JFNJXASP303EW06, NF3JXASG403UN01, NF3JXASG403UW01, NF3JXASP403NW22, NF3JXASP403UN01, NF3JXASP403UW01, NF3JXASP403UW06, PF3JXASG403UG06, PF3JXASP403UG06, PFNJCASG114TG01, PFNJCASG114TN01, PFNJCASP114TG01, PFNJCASP114TN01, PFNJXASG114TG01, PFNJXASG114TN01, PFNJXASG303UG06, PFNJXASG543ZG01, PFNJXASP114TG01, PFNJXASP303UG06, PFNJXASP304AG01, PFNJXASP543ZG01, SF3JXASP403EW06, SFNNCAJP113TW01, SFNNCASG113TN01, SFNNCASG113TQ01, SFNNCASG113TW01, SFNNCASP113TN01, SFNNCASP113TQ01, SFNNCASP113TW01, SFNNEASP113CW01, SFNNXAJP113CN01, SFNNXASG113JW01, SFNNXASG113TW01, SFNNXASP113CN01, SFNNXASP113CW01, SFNNXASP113TN01, SFNNXASP113TW01, SFNNXASP123DW01, SFNNXASP303AN01, SFNNXASP303AN12, SFNNXASP303AW01, SFNNXASP303AW12, SFNNXASP543DW01, SFNWCASG113TN01, SFNWCASP113TN01 and TF3JXASP403NW22



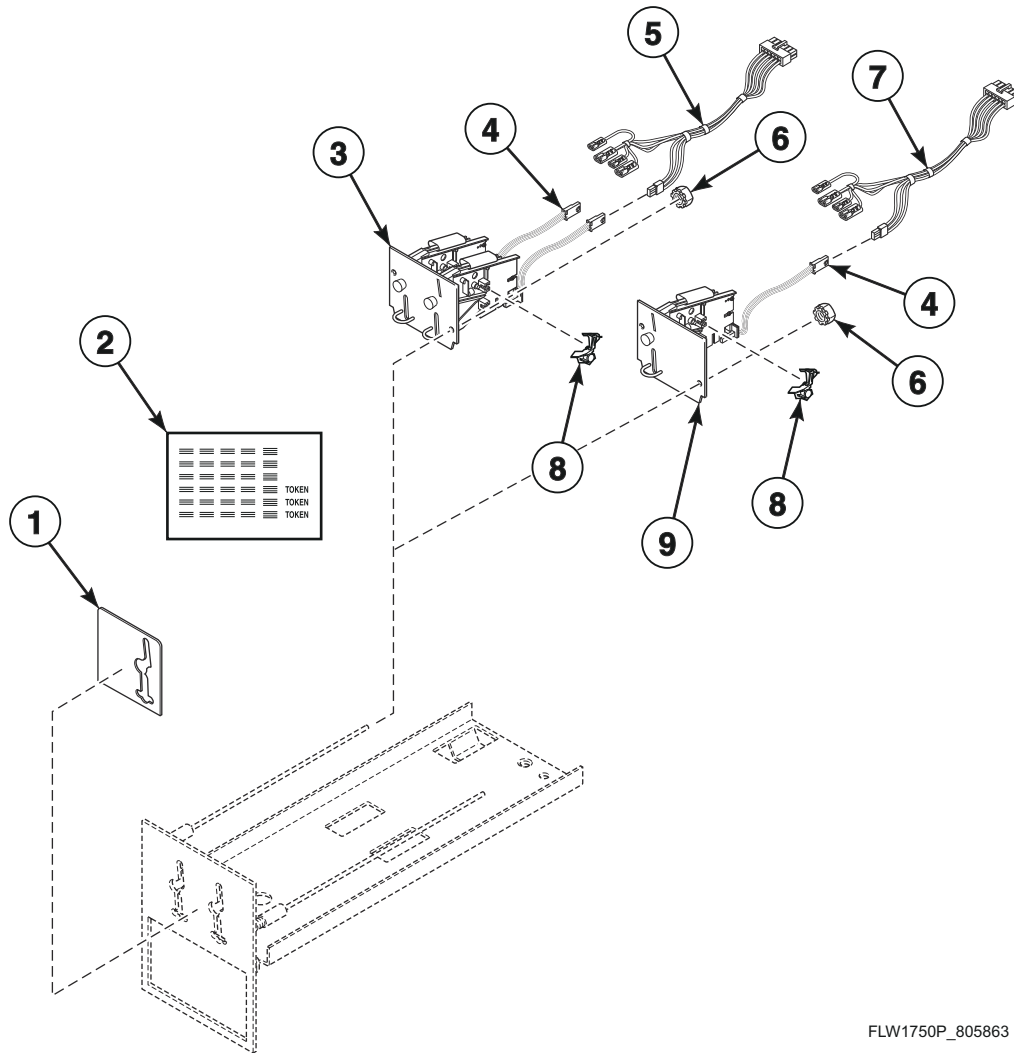
FLW1752P\_805863

## Control Cabinet Controls - Front Control Coin Drop Models

REF	PART NO.	DESCRIPTION	COMMENTS
1	804009B	Meter Case Assembly	Black
	804009DG	Meter Case Assembly	Dark gray
	804009W	Meter Case Assembly	White
2	804103W	Wrapper Assembly	White; Model SFNNCAJP113TW01
	804103B	Wrapper Assembly	Black; Model SFNNXAJP113CN01
	804108W	Wrapper Assembly	White; Models BF3JXASP403UW01, BF3JXASP403UW06, JF3JEASP413EW06, JF3JXASP413EW06, NF3JXASG403UW01, NF3JXASP403NW22, NF3JXASP403UW01, NF3JXASP403UW06, SF3JXASP403EW06 and TF3JXASP403NW22
	804108B	Wrapper Assembly	Black; Models BF3JXASG403UN01, BF3JXASG403UN06, BF3JXASP403UN01, BF3JXASP403UN06, NF3JXASG403UN01 and NF3JXASP403UN01
	804108DG	Wrapper Assembly	Dark gray; Models PF3JXASG403UG06 and PF3JXASP403UG06
	804104B	Wrapper Assembly	Black; All other models
	804104DG	Wrapper Assembly	Dark gray; All other models
	804104W	Wrapper Assembly	White; All other models
	3	70240301	Screw
4	803998	Rear Access Panel	
5	70030501	Expansion Clip	6 required
6	801788	Union	Models SFNNCAJP113TW01 and SFNNXAJP113CN01
7	801789	Connector	Models SFNNCAJP113TW01 and SFNNXAJP113CN01
8	44087201	Nut	
9	803962BP	Control Panel	Black
	803962DG	Control Panel	Dark gray
	803962WP	Control Panel	White
10	806194	Operating Instruction Label	Models PFNJCASG114TG01, PFNJCASG114TN01, PFNJCASP114TG01, PFNJCASP114TN01, PFNJJXASG114TG01, PFNJJXASG114TN01, PFNJJXASP114TG01 and PFNJJXASP304AG01
	514681	Nameplate Overlay	Models JF3JEASP413EW06, JF3JXASP413EW06, JFNJEASG303EW06, JFNJEASP303EW06, JFNJJXASG303EW06 and JFNJJXASP303EW06
	805829	Operating Instructions Label	Models PFNJJXASG303UG06, PFNJJXASG543ZG01, PFNJJXASP303UG06 and PFNJJXASP543ZG01
	804846	Operating Instruction Label	Icon; All other models
	804327	Operating Instruction Label	English; All other models
11	29651	Bolt	
12	38717	Single Overlay	\$0.25
	803476	Single Drop Overlay	Models JF3JEASP413EW06, JF3JXASP413EW06, JFNJEASG303EW06, JFNJEASP303EW06, JFNJJXASG303EW06 and JFNJJXASP303EW06
13	201091	Overlay	For electronic coin drops
14	512973	Switch	

# Non-Electronic Coin Drop, Cabinet Front and Wrapper Assembly

Coin Models



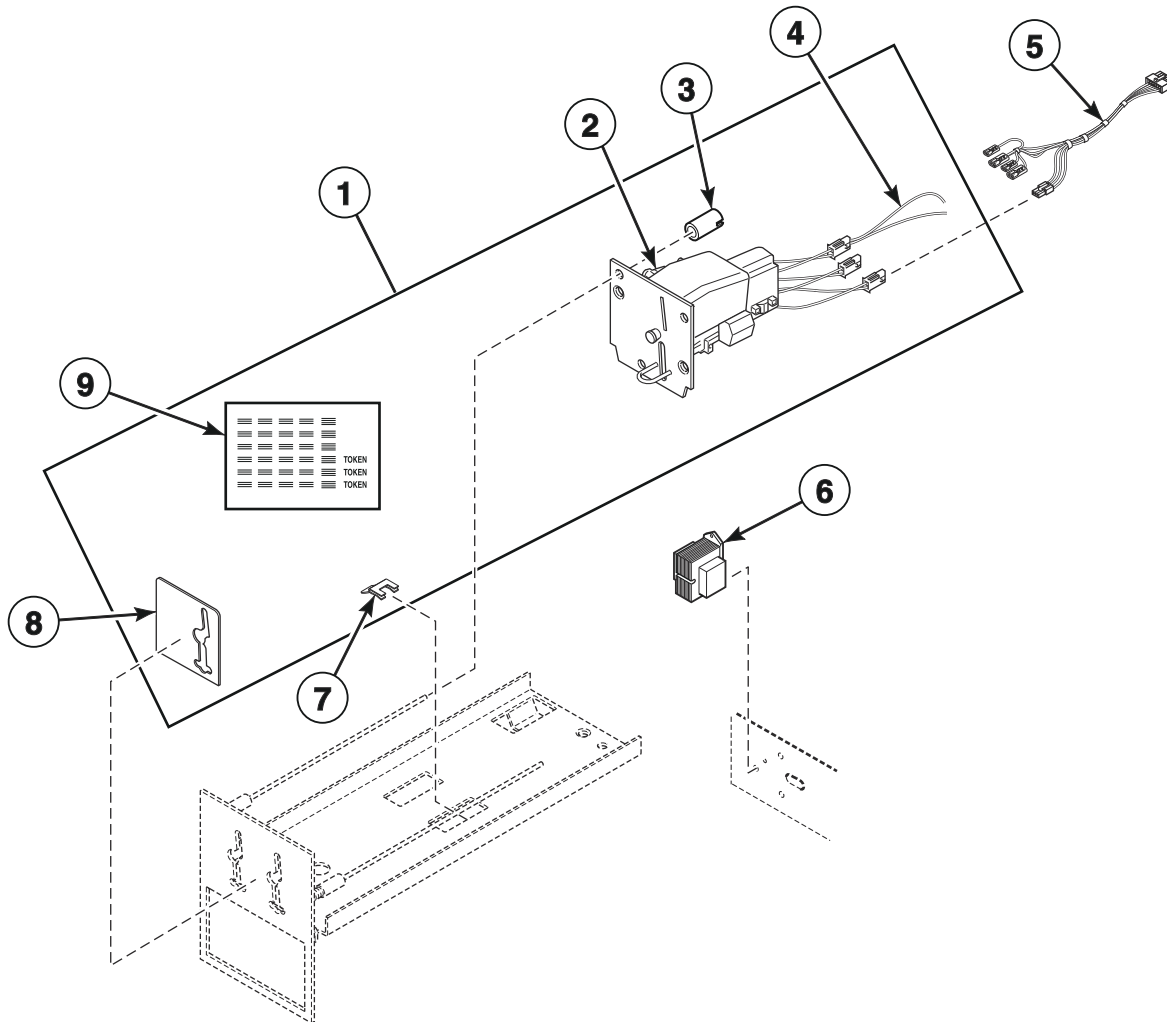
FLW1750P\_805863

# Non-Electronic Coin Drop, Cabinet Front and Wrapper Assembly

REF	PART NO.	DESCRIPTION	COMMENTS
1	38717	Single Overlay	
2	38725	Coin Identification Paper	
3	70441602	Coin Drop Assembly	Canada; .25 and 1.00
	70441603	Coin Drop	U.S.A.; \$.25 and \$1.00
	70482401	Coin Drop Assembly	New Zealand; 1.00 and 2.00
	38467	Coin Drop Assembly	Australia; .20 and 1.00
	38472	Coin Drop Assembly	England; 20 pence and 1 pound
	38519	Coin Drop Assembly	Japan; 100 yen and 500 yen
	38521	Coin Drop Assembly	Korea; 100 won and 500 won
4	200674P	Opto Coupler	
5	202871	Dual Coin Harness Assembly	
6	29786	Nut	
7	202870	Single Coin Harness Assembly	
8	201595P	Wire Guard	Anti-stringing security device
9	70441601P	Coin Drop	U.S.A.; \$.25
	38464P	Coin Drop Assembly	Canada; .25
	CK114	Coin Drop Assembly	Singapore; Old 1.00
	CK123	Coin Drop Assembly	Singapore; New 1.00
	38462P	Coin Drop Assembly	Token; STD-118-1
	38463	Coin Drop Assembly	Token; STD-118-5
	38963P	Coin Drop	Token 118-16 not available. Replacement for 38963P Coin Drop only

# Electronic Coin Drop

Coin Models



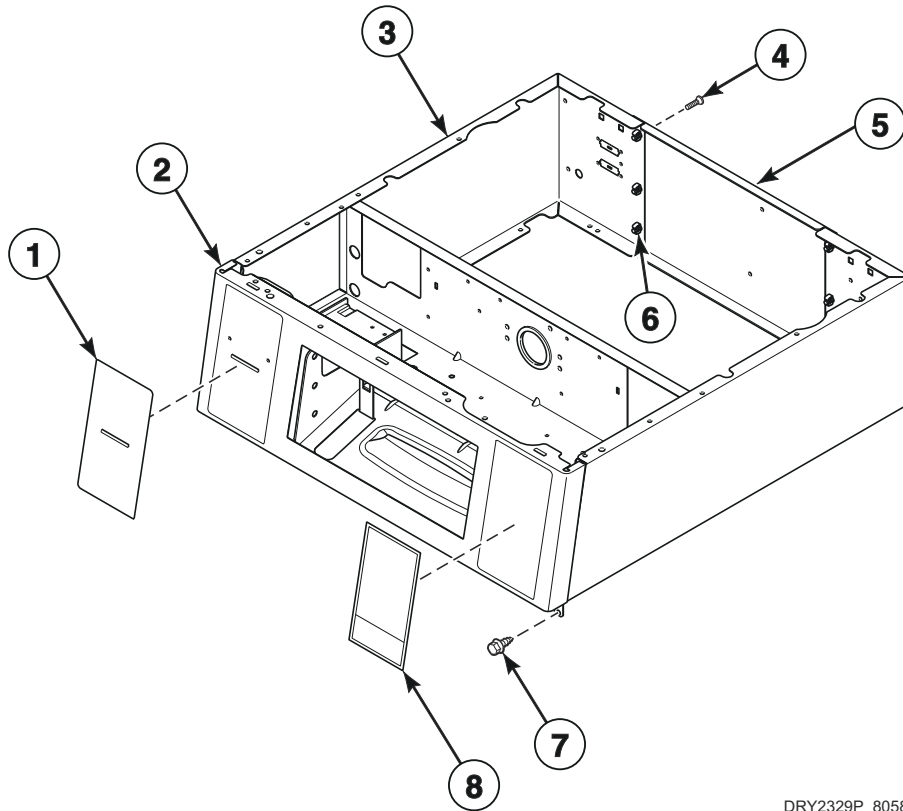
FLW1005P\_805863

# Electronic Coin Drop

REF	PART NO.	DESCRIPTION	COMMENTS
1	CK099	Electronic Coin Drop Kit	Includes items 2-4 and 7-9; Australia, New Zealand, Hong Kong, South Korea and Malaysia coins
	CK100	Electronic Coin Drop Kit	Includes items 2-4 and 7-9; Euro and Great Britain coins
	CK101	Electronic Coin Drop Kit	Includes items 2-4 and 7-9; Euro, Denmark and Norway coins
	CK103	Electronic Coin Drop Kit	Includes items 2-4 and 7-9; Euro, Lithuania and Latvia coins
	CK106	Electronic Coin Drop Kit	Includes items 2-4 and 7-9; Malaysia, China, Russia and Singapore coins
	CK108	Electronic Coin Drop Kit	Includes items 2-4 and 7-9; South African 1, 2 and 5 rand coins
	CK109	Electronic Coin Drop Kit	Includes items 2-4 and 7-9; Euro coins
	CK110	Electronic Coin Drop Kit	Includes items 2-4 and 7-9; Mexico, Ecuador and United States coins
	CK113	Electronic Coin Drop Kit	Includes items 2-4 and 7-9; Japan and Taiwan coins
	CK115	Electronic Coin Drop Kit	Includes items 2-4 and 7-9; United States and Canada coins
	CK120	Electronic Coin Drop Kit	Includes items 2-4 and 7-9; Chile coins
	CK121	Electronic Coin Drop Kit	Includes items 2-4 and 7-9; Singapore coins
2	70294105P	Electronic Coin Drop Assembly	Australia, New Zealand, Hong Kong, South Korea and Malaysia coins
	70294123	Electronic Coin Drop Assembly	Euro and Great Britain coins
	70294104	Electronic Coin Drop Assembly	Euro, Denmark and Norway coins
	70294107	Electronic Coin Drop Assembly	Euro, Lithuania and Latvia coins
	70294109	Electronic Coin Drop Assembly	Malaysia, China, Russia and Singapore coins
	70294110	Electronic Coin Drop Assembly	South African 1, 2 and 5 rand coins
	70294111	Electronic Coin Drop Assembly	Euro coins
	70294106	Electronic Coin Drop Assembly	Mexico, Ecuador and United States coins
	70294122	Electronic Coin Drop Assembly	Great Britain and token coins
	70294120	Electronic Coin Drop Assembly	Chile coins
70294121	Electronic Coin Drop Assembly	Singapore coins	
3	201216	Nut	
	29786	Nut	Use on front control models with no guide rods
4	201104	Coin Drop Wire Harness	
5	802905	Harness Assembly	Electronic coin drop requires this harness. If unit is not factory-equipped with this harness, it must be ordered separately.
6	201375P	Transformer	Electronic coin drop requires this transformer. If unit is not factory-equipped with this transformer, it must be ordered separately.
7	201572	Clip	
8	201091	Overlay	
9	38725	Coin Identification Paper	

# Control Cabinet Controls - Front Control Card Reader Ready and OPL Models

Models HFNNYASP113CW01, JF3JGASP413EW06, JF3JMASG413EN06, NF3JYASG403UW01, SFNNYAJP113TW01,  
SFNNYASG113TN01, SFNNYASG113TW01, SFNNYASP113CW01, SFNNYASP113TN01, SFNNYASP113TW01,  
SFNWWYASG113TN01, SFNWWYASP113TN01 and SFNWWYASP113TW01



DRY2329P\_805863

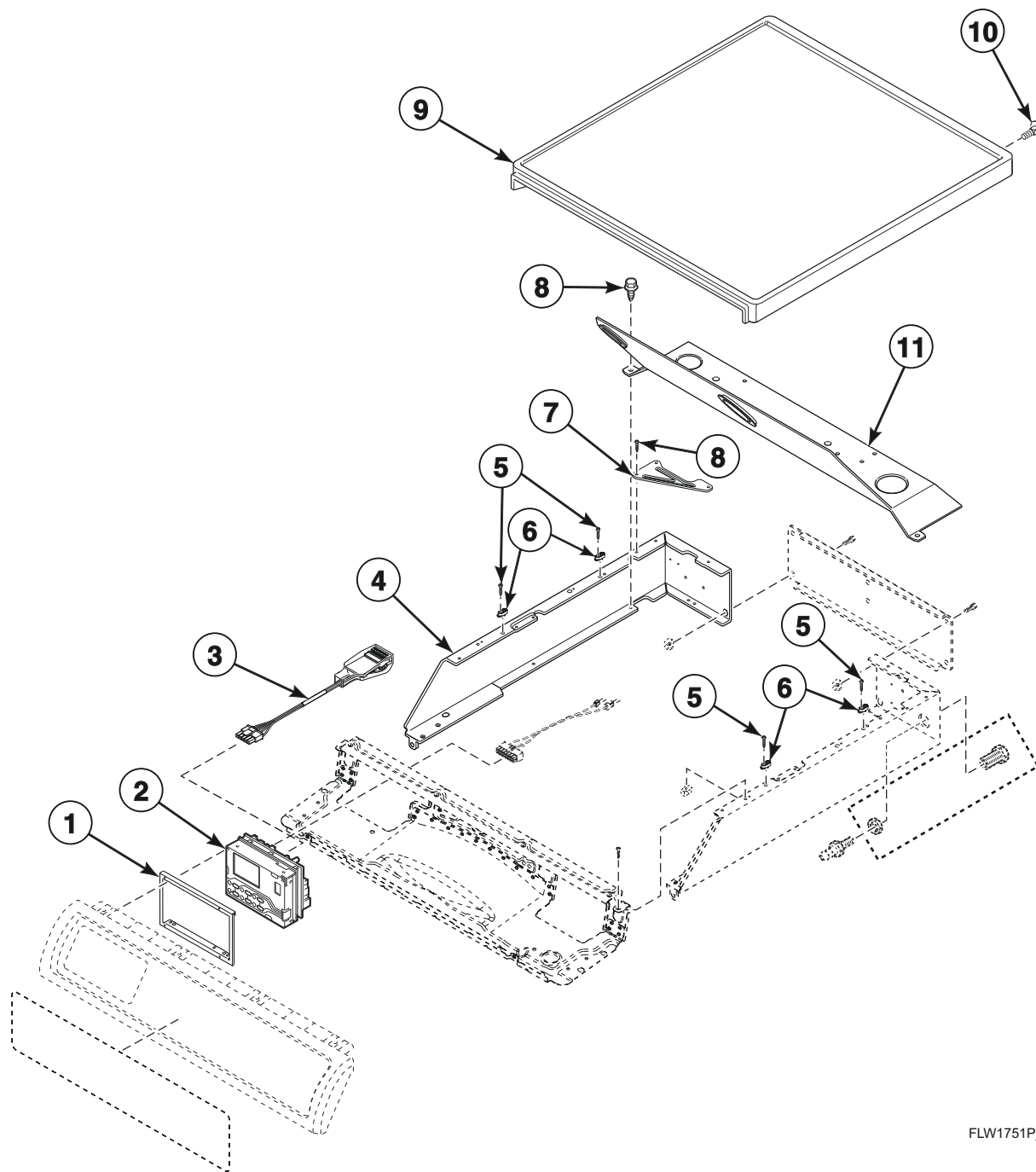


## Control Cabinet Controls - Front Control Card Reader Ready and OPL Models

REF	PART NO.	DESCRIPTION	COMMENTS
1	514873	Overlay	Gray; Model HFNNYASP113CW01
	514874	Overlay	Model NF3JYASG403UW01
	514391	Card Insert Overlay	All models except HFNNYASP113CW01, JF3JGASP413EW06, JF3JMASG413EN06 and NF3JYASG403UW01
2	803970B	Control Panel	Black; Models JF3JGASP413EW06 and JF3JMASG413EN06
	804149WP	Security Cabinet Assembly	White; All other models
	804149B	Security Cabinet Assembly	Black; All other models
3	804108W	Wrapper Assembly	White; Models JF3JGASP413EW06 and JF3JMASG413EN06
	804112W	Wrapper Assembly	White; All other models
	804108B	Wrapper Assembly	Black; Models JF3JGASP413EW06 and JF3JMASG413EN06
	804112B	Wrapper Assembly	Black; All other models
4	70240301	Screw	6 required
5	803998	Rear Access Panel	
6	70030501	Expansion Clip	6 required
7	503688	Screw	
8	806017	Overlay	Models JF3JGASP413EW06 and JF3JMASG413EN06
	804327	Operating Instruction Label	All other models

# Control Cabinet - 45 Degree Front Control Models (Drawing 1 of 2)

Models BF3JGBJG403UN01, BF3JGBJG403UN06, BF3JGBJG403UW01, BF3JGBJG403UW06, BF3JGBJP403UN01, BF3JGBJP403UN06, BF3JGBJP403UW01, BF3JGBJP403UW06, BF3JGBSG403UN01, BF3JGBSG403UN06, BF3JGBSG403UW01, BF3JGBSG403UW06, BF3JGBSP403UN01, BF3JGBSP403UN06, BF3JGBSP403UW01, BF3JGBSP403UW06, BF3JLBSG403UN01, BF3JLBSG403UN06, BF3JLBSG403UW01, BF3JLBSG403UW06, BF3JLBSP403UN01, BF3JLBSP403UN06, BF3JLBSP403UW01, BF3JLBSP403UW06, HFNNYBSP113CW01, JF3JGBSP413EW06, JF3JMBSG413EN06, NF3JGBSP403SW01, NF3JLBSG403UN01, NF3JLBSG403UT01, NF3JLBSG403UT06, NF3JLBSP403NN22, NF3JLBSP403NW22, NF3JLBSP403UN01, NF3JLBSP403UT01, NF3JLBSP403UT06, NF3JLBSP403UW01, PF3JGBJG403UG06, PF3JGBJP403UG06, PF3JGBSG403UG06, PF3JGBSP403UG06, SFNNYBSP113TN01 and SFNNYBSP113TW01



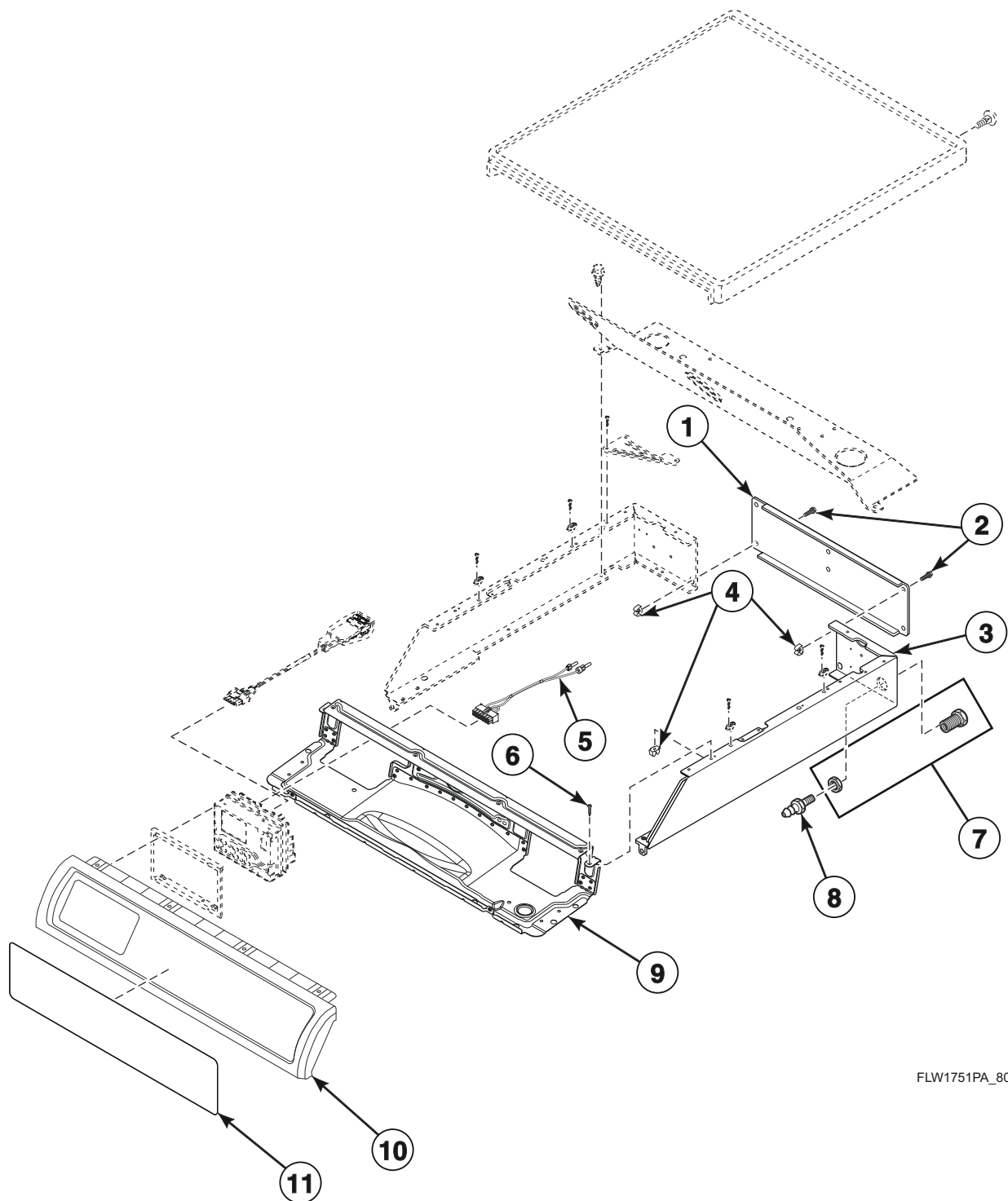
FLW1751P\_805863

## Control Cabinet - 45 Degree Front Control Models (Drawing 1 of 2)

REF	PART NO.	DESCRIPTION	COMMENTS
	36226	Bumper Pad	4 required
<b>1</b>	804612	Control Bracket	
<b>2</b>	804472P	Control Assembly	Red LEDs; Models BF3JGBJG403UN01, BF3JGBJG403UN06, BF3JGBJG403UW01, BF3JGBJG403UW06, BF3JGBJP403UN01, BF3JGBJP403UN06, BF3JGBJP403UW01, BF3JGBJP403UW06, BF3JGBSG403UN01, BF3JGBSG403UN06, BF3JGBSG403UW01, BF3JGBSG403UW06, BF3JGBSP403UN01, BF3JGBSP403UN06, BF3JGBSP403UW01, BF3JGBSP403UW06, BF3JLBSG403UN01, BF3JLBSG403UN06, BF3JLBSG403UW01, BF3JLBSG403UW06, BF3JLBSP403UN01, BF3JLBSP403UN06, BF3JLBSP403UW01 and BF3JLBSP403UW06
	806041P	Control Assembly	Blue LEDs; Models PF3JGBJG403UG06, PF3JGBJP403UG06, PF3JGBSG403UG06 and PF3JGBSP403UG06
	804471P	Control Assembly	Green LEDs; All other models
<b>3</b>	203361P	Machine ID Control Assembly	Model or serial number is required when ordering
<b>4</b>	804627W	Control Wrapper	Left; Models HFNNYBSP113CW01 and SFNNYBSP113TW01
	804627B	Control Wrapper	Left; Model SFNNYBSP113TN01
	804628W	Control Wrapper	White; Left; All other models
	804628B	Control Wrapper	Black; Left; All other models
	804628DG	Control Wrapper	Dark gray; Left; All other models
<b>5</b>	39733	Screw	4 required
<b>6</b>	803761	Top Panel Guide	4 required
<b>7</b>	805345	Rear Wrapper Brace	2 required
<b>8</b>	503688	Screw	6 required
<b>9</b>	804684	Top Panel	Stainless steel
	804685WP	Top Panel	White
	804685DG	Top Panel	Dark gray
<b>10</b>	29651	Bolt	
<b>11</b>	804363	Control Shield	

# Control Cabinet - 45 Degree Front Control Models (Drawing 2 of 2)

Models BF3JGBJG403UN01, BF3JGBJG403UN06, BF3JGBJG403UW01, BF3JGBJG403UW06, BF3JGBJP403UN01, BF3JGBJP403UN06, BF3JGBJP403UW01, BF3JGBJP403UW06, BF3JGBSG403UN01, BF3JGBSG403UN06, BF3JGBSG403UW01, BF3JGBSG403UW06, BF3JGBSP403UN01, BF3JGBSP403UN06, BF3JGBSP403UW01, BF3JGBSP403UW06, BF3JLBSG403UN01, BF3JLBSG403UN06, BF3JLBSG403UW01, BF3JLBSG403UW06, BF3JLBSP403UN01, BF3JLBSP403UN06, BF3JLBSP403UW01, BF3JLBSP403UW06, HFNNYBSP113CW01, JF3JGBSP413EW06, JF3JMBSG413EN06, NF3JGBSP403SW01, NF3JLBSG403UN01, NF3JLBSG403UT01, NF3JLBSG403UT06, NF3JLBSP403NN22, NF3JLBSP403NW22, NF3JLBSP403UN01, NF3JLBSP403UT01, NF3JLBSP403UT06, NF3JLBSP403UW01, PF3JGBJG403UG06, PF3JGBJP403UG06, PF3JGBSG403UG06, PF3JGBSP403UG06, SFNNYBSP113TN01 and SFNNYBSP113TW01



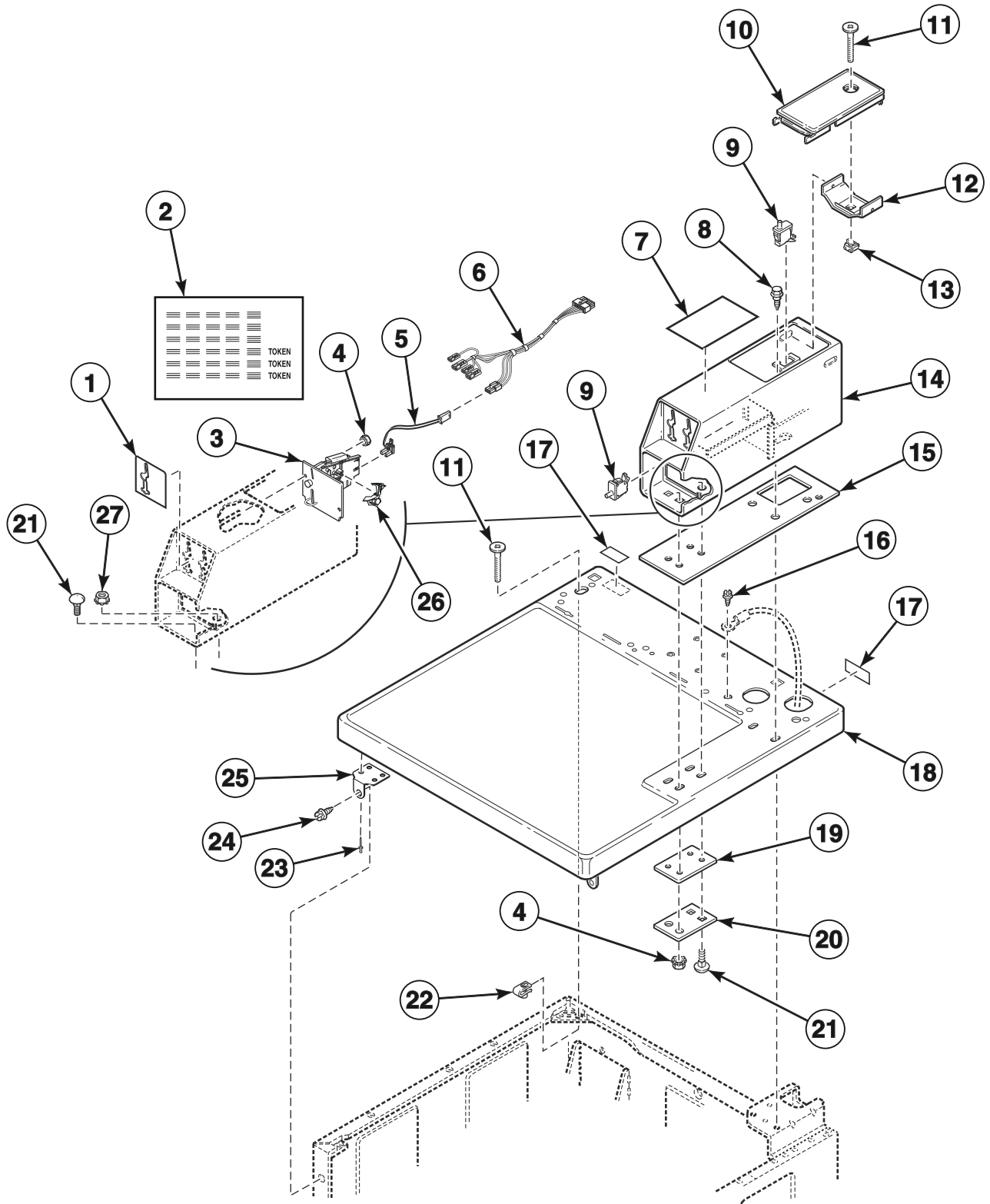
FLW1751PA\_805863

## Control Cabinet - 45 Degree Front Control Models (Drawing 2 of 2)

REF	PART NO.	DESCRIPTION	COMMENTS
	36226	Bumper Pad	4 required
1	804614	Rear Access Panel	
2	503688	Screw	
3	804629DG	Control Wrapper	Dark gray; Right; Models PF3JGBJG403UG06 and PF3JGBJP403UG06
	804629W	Control Wrapper	White; Right; Models BF3JGBJG403UW01, BF3JGBJG403UW06, BF3JGBJP403UW01 and BF3JGBJP403UW06
	804629B	Control Wrapper	Black; Right; Models BF3JGBJG403UN01, BF3JGBJG403UN06, BF3JGBJP403UN01 and BF3JGBJP403UN06
	804630W	Control Wrapper	White; Right; All other models
	804630B	Control Wrapper	Black; Right; All other models
	804630DG	Control Wrapper	Dark gray; Right; All other models
4	70030501	Expansion Clip	
5	202869	Wiring Harness Assembly	Diagnostic
6	804667	Screw	
7	801788	Union	Models BF3JGBJG403UN01, BF3JGBJG403UN06, BF3JGBJG403UW01, BF3JGBJG403UW06, BF3JGBJP403UN01, BF3JGBJP403UN06, BF3JGBJP403UW01, BF3JGBJP403UW06, PF3JGBJG403UG06 and PF3JGBJP403UG06
8	801789	Connector	Models BF3JGBJG403UN01, BF3JGBJG403UN06, BF3JGBJG403UW01, BF3JGBJG403UW06, BF3JGBJP403UN01, BF3JGBJP403UN06, BF3JGBJP403UW01, BF3JGBJP403UW06, PF3JGBJG403UG06 and PF3JGBJP403UG06
9	804613	Top Panel Brace Assembly	
10	804963	Control Panel Assembly	Black
	804962	Control Panel Assembly	White
	805008	Control Panel Assembly	Dark gray
11	805375	Control Overlay	Models BF3JGBJG403UN01, BF3JGBJG403UN06, BF3JGBJG403UW01, BF3JGBJG403UW06, BF3JGBJP403UN01, BF3JGBJP403UN06, BF3JGBJP403UW01, BF3JGBJP403UW06, BF3JGBSG403UN01, BF3JGBSG403UN06, BF3JGBSG403UW01, BF3JGBSG403UW06, BF3JGBSP403UN01, BF3JGBSP403UN06, BF3JGBSP403UW01, BF3JGBSP403UW06, BF3JLBSG403UN01, BF3JLBSG403UN06, BF3JLBSG403UW01, BF3JLBSG403UW06, BF3JLBSP403UN01, BF3JLBSP403UN06, BF3JLBSP403UW01 and BF3JLBSP403UW06
	805376	Control Overlay	Models NF3JGBSP403SW01, NF3JLBSG403UN01, NF3JLBSG403UT01, NF3JLBSG403UT06, NF3JLBSP403NN22, NF3JLBSP403NW22, NF3JLBSP403UN01, NF3JLBSP403UT01, NF3JLBSP403UT06 and NF3JLBSP403UW01
	805379	Control Overlay	Model JF3JMBSG413EN06
	805768	Control Overlay	Models PF3JGBJG403UG06, PF3JGBJP403UG06, PF3JGBSG403UG06 and PF3JGBSP403UG06
	805675	Control Overlay	Models SFNNYBSP113TN01 and SFNNYBSP113TW01
	805378	Control Overlay	Model JF3JGBSP413EW06
	806042	Control Overlay	Model HFNNYBSP113CW01

# Coin Drop, Meter Case and Cabinet Top

Models HFNNRSP113CW01, HFNNXRSP113CW01, SFNNCRSP113TW01, SFNNCRSP113TW02, SFNNRSP113CW02, SFNNXRSP113CW02, SFNNXRSP113TW02 and SFNNXRSP543NW23



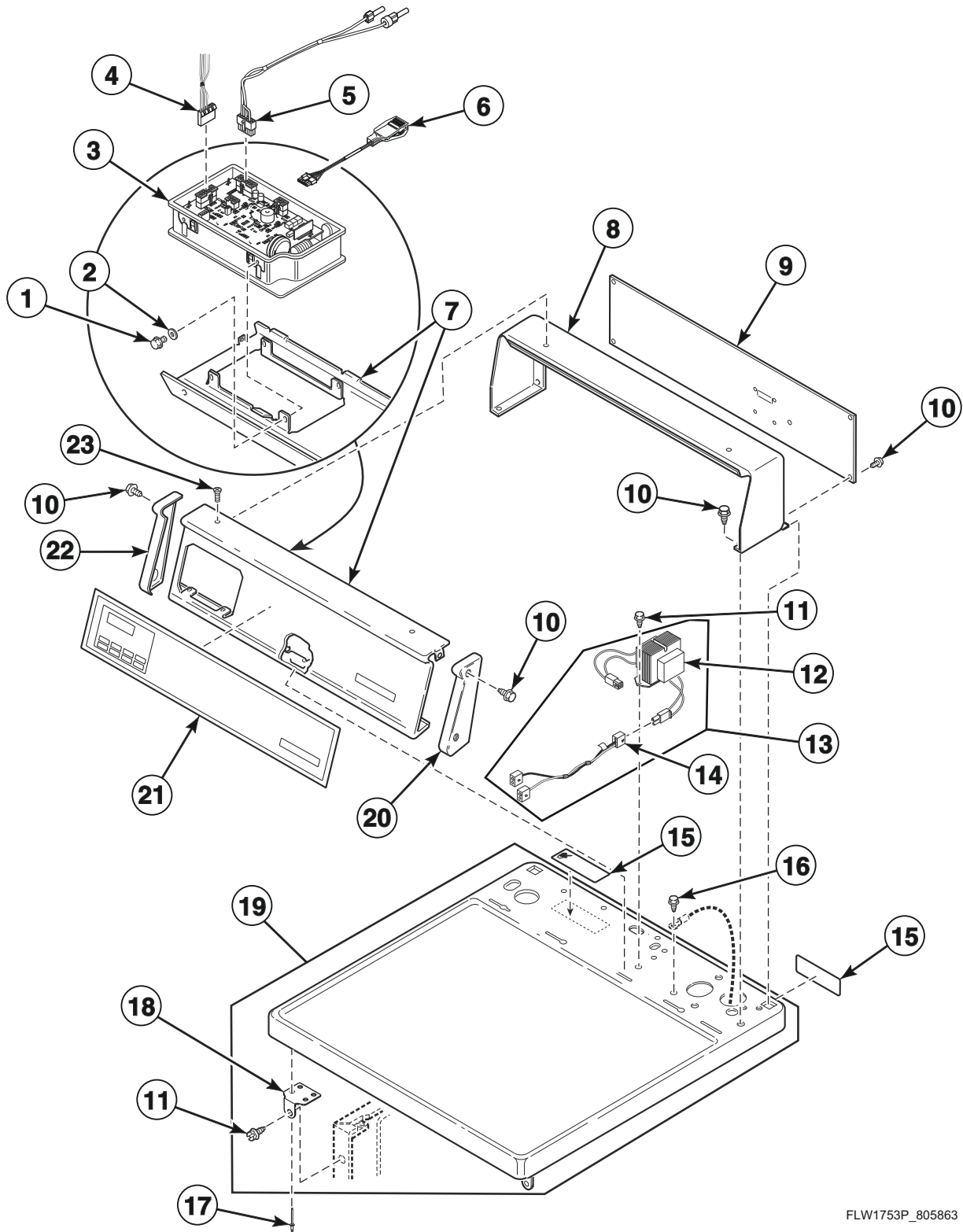
FLW980P\_805863

## Coin Drop, Meter Case and Cabinet Top

REF	PART NO.	DESCRIPTION	COMMENTS
1	201091	Overlay	Models HFNNERSP113CW01 and SFNNERSP113CW02
	38717	Single Overlay	All other models
2	38725	Coin Identification Paper	
3	70441601P	Coin Drop	U.S.A.; \$.25
	70441602	Coin Drop Assembly	Canada; .25 and 1.00
4	29786	Nut	
5	200674P	Opto Coupler	
6	202870	Single Coin Harness Assembly	
	202871	Dual Coin Harness Assembly	
7	805830	Rear Control Operating Instruction Label	
8	36048	Screw	
9	512973	Switch	
10	39874WP	Service Door Assembly	
11	503673	Screw	
12	30642	Meter Case Locking Bracket	
13	30647	Nut	
14	803063WP	Meter Case Assembly Kit	Models SFNNCRSP113TW02, SFNNERSP113CW02, SFNNXRSP113CW02 and SFNNXRSP113TW02
	803578P	Coin Box Extension Kit	Use with 803063W Meter Case Assembly to extend shorter 7 inch coin boxes; Models SFNNCRSP113TW02, SFNNERSP113CW02, SFNNXRSP113CW02 and SFNNXRSP113TW02
	802505W	Meter Case Assembly	Model HFNNERSP113CW01
	38724W	Meter Case Assembly	All other models
15	26354	Meter Case Gasket	
16	20530	Screw	
17	505281	Disconnect Power Warning Label	English
	500316	Warning Label	English/French
18	511527WP	Top Kit	
19	35526	Meter Case Bracket Gasket	
20	35525	Meter Case Lockdown Bracket	
21	02505	Bolt	
22	27222	Nut	
23	70058501	Pop Rivet	
24	503661	Screw	
25	510146	Bracket	
26	201595P	Wire Guard	Anti-stringing security device
27	802337	Nut	

# Control Panel, Control Hood and Controls (Drawing 1 of 2)

Models HFNNYRSP113CW01, SFNNYRSP113TW01 and SFNWYRSP113TW01



FLW1753P\_805863

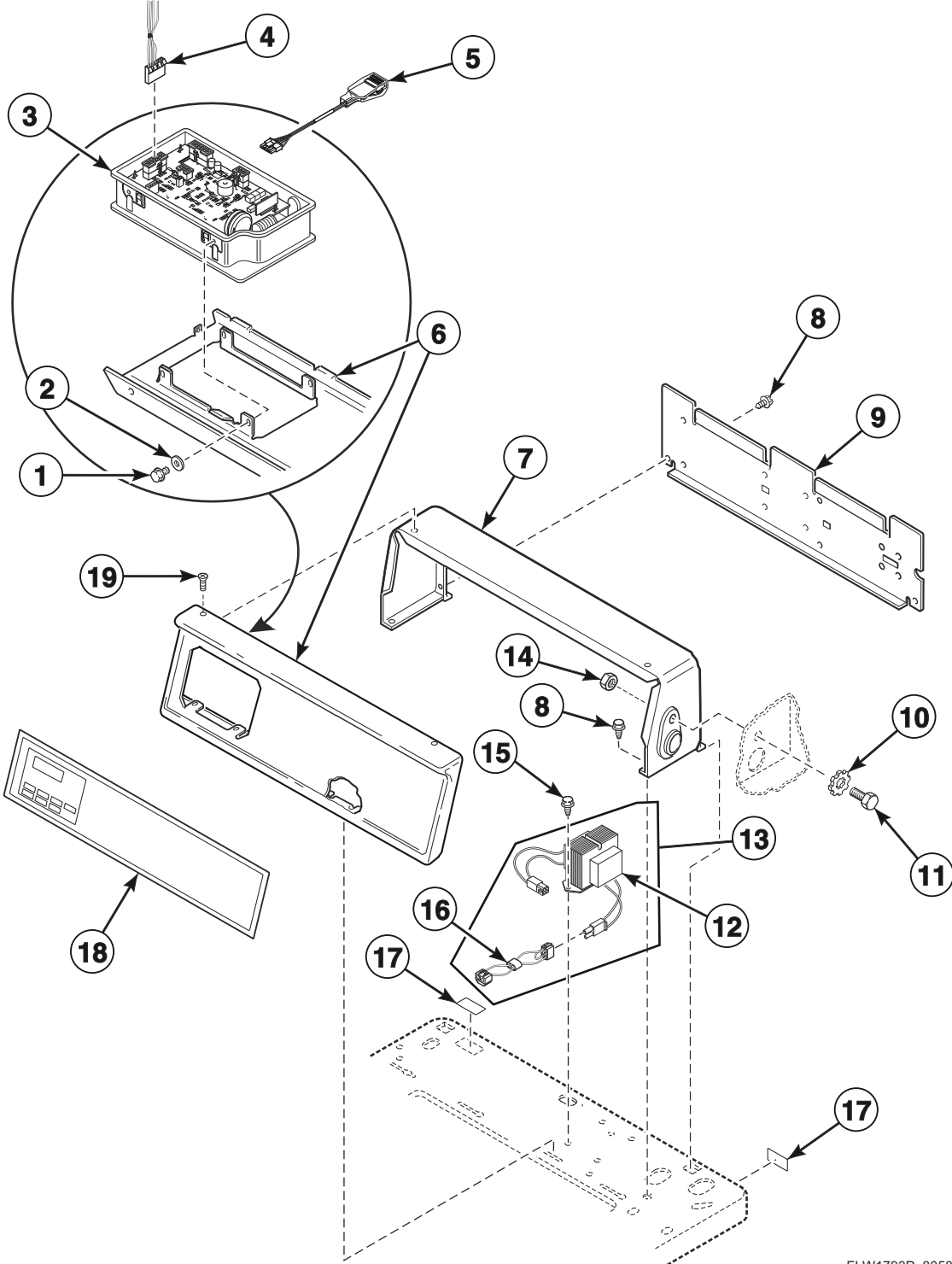


## Control Panel, Control Hood and Controls (Drawing 1 of 2)

REF	PART NO.	DESCRIPTION	COMMENTS
	203327	Wireless Network Kit	
	203328	Network Retrofit Kit	Wired
	203346	USB IR Interface Kit	
	NK220	Network Controller Kit	Wired
	NK320	Ethernet Gateway Kit	Wireless
	NK330	USB Gateway Kit	Wireless
<b>1</b>	501524	Screw	
<b>2</b>	200608	Washer	
<b>3</b>	804471P	Control Assembly	
<b>4</b>	805427	Central Pay Harness	
<b>5</b>	202869	Wiring Harness Assembly	Diagnostic
<b>6</b>	203361P	Machine ID Control Assembly	Model or serial number is required when ordering
<b>7</b>	805512W	Control Panel and Stud Assembly	Model SFNWYRSP113TW01
	800710W	Control Panel and Stud Assembly	Models HFNNYRSP113CW01 and SFNNYRSP113TW01
<b>8</b>	511253W	Control Hood	
<b>9</b>	511254	Rear Panel	
<b>10</b>	501086	Screw	
<b>11</b>	503661	Screw	
<b>12</b>	202757	Transformer	
<b>13</b>	203423	Transformer Kit	Includes item 12 and 14
<b>14</b>	804832	Harness	
<b>15</b>	505281	Disconnect Power Warning Label	Models SFNNYRSP113TW01 and SFNWYRSP113TW01
	500316	Warning Label	Model HFNNYRSP113CW01
<b>16</b>	20530	Screw	
<b>17</b>	70058501	Pop Rivet	
<b>18</b>	510146	Bracket	
<b>19</b>	511530WP	Top Panel Kit	Includes items 11 and 17
<b>20</b>	210108W	End Cap	Right
<b>21</b>	805370	Overlay	Models SFNNYRSP113TW01 and SFNWYRSP113TW01
	805372	Control Overlay	Model HFNNYRSP113CW01
<b>22</b>	210109W	End Cap	Left
<b>23</b>	52864	Screw	

# Control Panel, Control Hood and Controls (Drawing 2 of 2)

Models HFNNRSP113CW01, HFNNXRSP113CW01, SFNNCRSP113TW01, SFNNCRSP113TW02, SFNNRSP113CW02, SFNNXRSP113CW02, SFNNXRSP113TW02 and SFNNXRSP543NW23



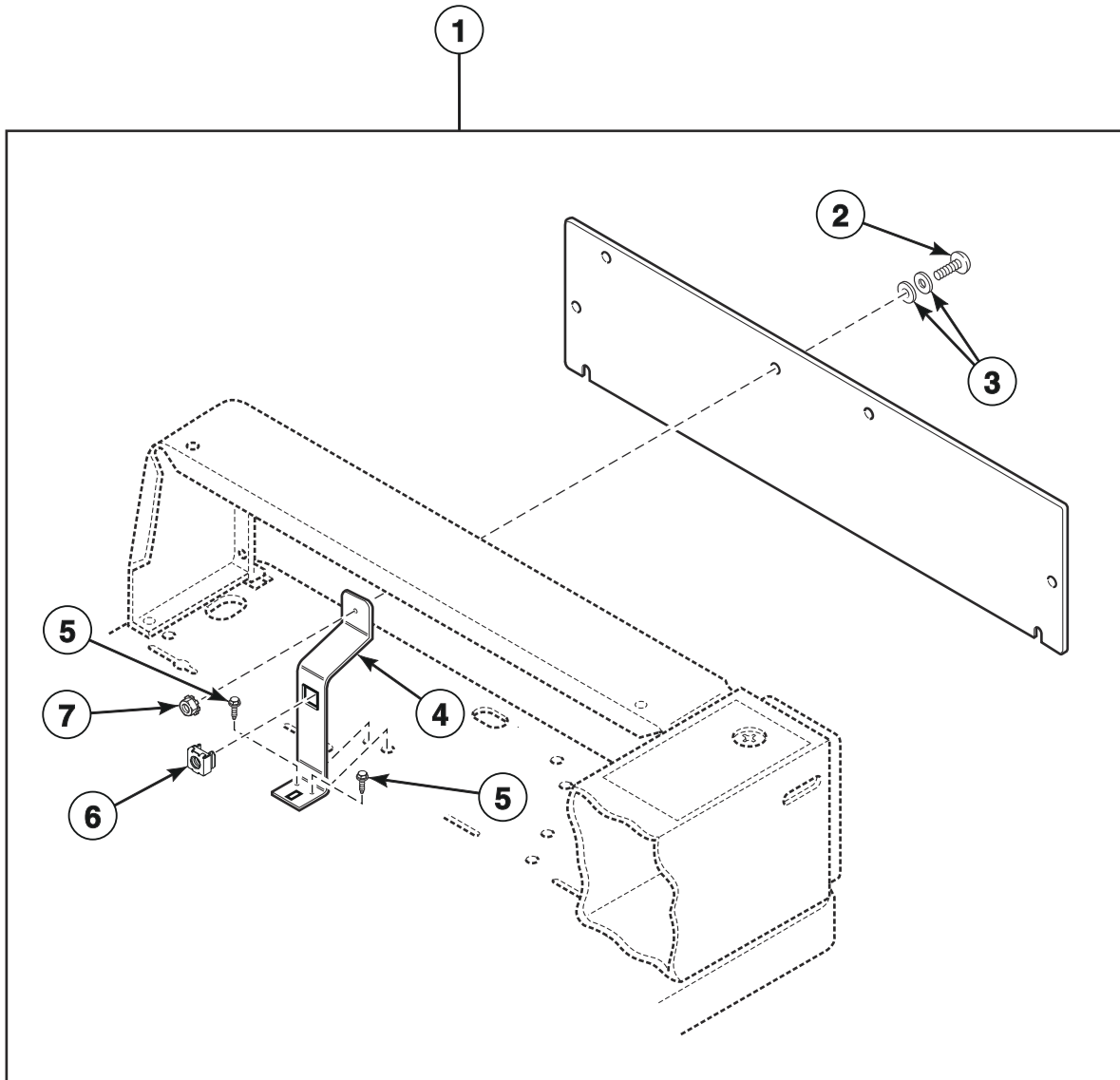
FLW1793P\_805863

## Control Panel, Control Hood and Controls (Drawing 2 of 2)

REF	PART NO.	DESCRIPTION	COMMENTS
	203327	Wireless Network Kit	
	203328	Network Retrofit Kit	Wired
	203346	USB IR Interface Kit	
	NK220	Network Controller Kit	Wired
	NK320	Ethernet Gateway Kit	Wireless
	NK330	USB Gateway Kit	Wireless
<b>1</b>	501524	Screw	
<b>2</b>	200608	Washer	
<b>3</b>	804471P	Control Assembly	
<b>4</b>	805427	Central Pay Harness	
<b>5</b>	203361P	Machine ID Control Assembly	Model or serial number is required when ordering
<b>6</b>	800149W	Control Panel and Bracket Assembly	
<b>7</b>	502567W	Control Hood	
<b>8</b>	501086	Screw	
<b>9</b>	804223	Hood Back Panel	
<b>10</b>	M400017	Washer	
<b>11</b>	02916	Screw	
<b>12</b>	202757	Transformer	120 Volt
	202758	Transformer	240 Volt
<b>13</b>	203423	Transformer Kit	120 Volt; Includes items 12 and 16
	203424	Transformer Kit	240 Volt; Includes items 12 and 16
<b>14</b>	44087101	Nut	
<b>15</b>	503661	Screw	
<b>16</b>	804832	Harness	
<b>17</b>	505281	Disconnect Power Warning Label	Models SFNNCRSP113TW01, SFNNCRSP113TW02, SFNNXRSP113TW02 and SFNNXRSP543NW23
	500316	Warning Label	Models HFNNERSP113CW01 and HFNNXRSP113CW01
<b>18</b>	804850	Overlay	Models SFNNCRSP113TW01, SFNNCRSP113TW02, SFNNERSP113CW02, SFNNXRSP113CW02, SFNNXRSP113TW02 and SFNNXRSP543NW23
	805371	Control Overlay	Models HFNNERSP113CW01 and HFNNXRSP113CW01
<b>19</b>	52864	Screw	

# Control Hood Security Kit

Models HFNNERSP113CW01, HFNNXRSP113CW01, SFNNCRSP113TW01, SFNNCRSP113TW02, SFNNERSP113CW02, SFNNXRSP113CW02, SFNNXRSP113TW02 and SFNNXRSP543NW23

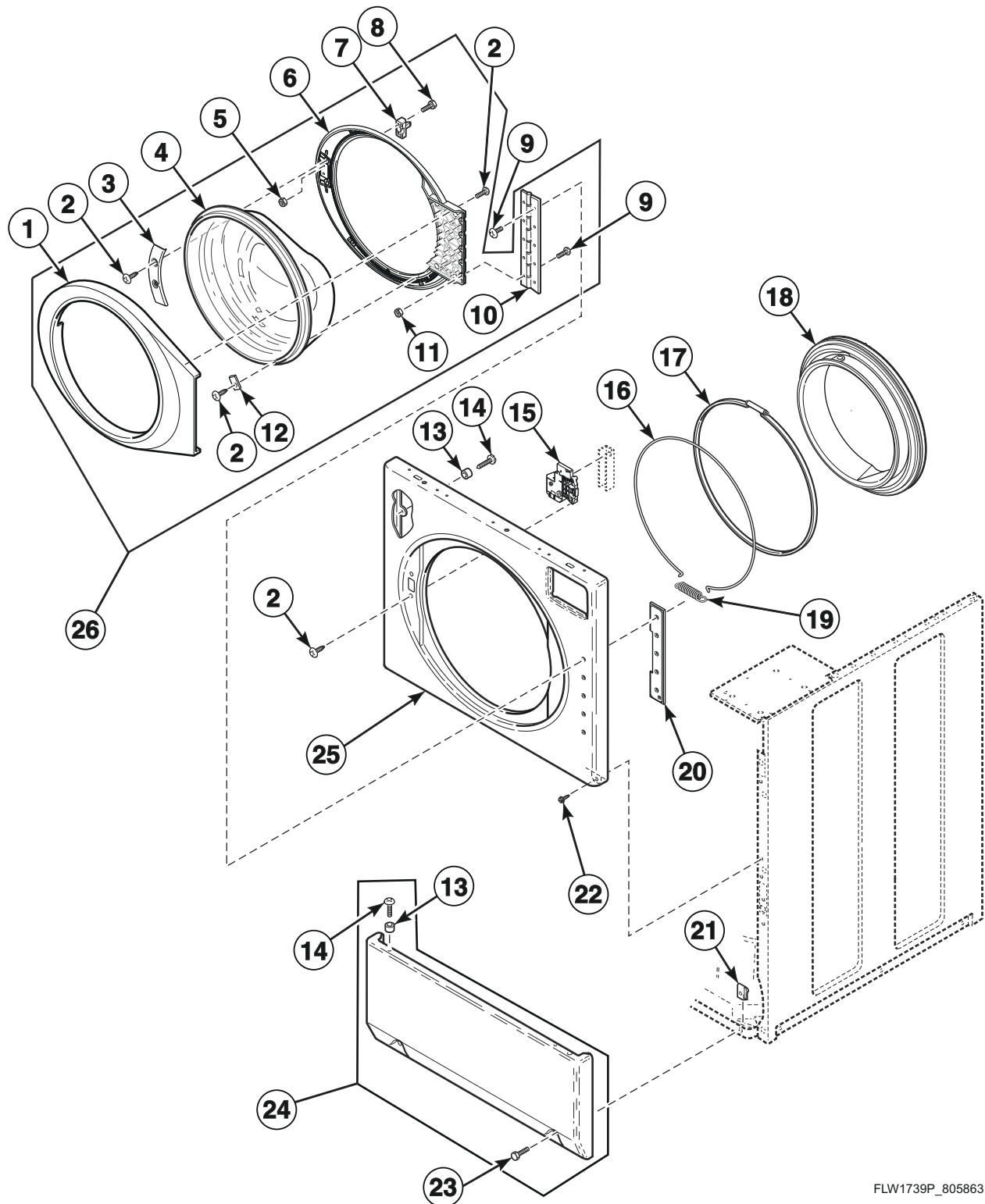


FLW963P\_805863

# Control Hood Security Kit

REF	PART NO.	DESCRIPTION	COMMENTS
1	905P3	Security Kit	Includes items 2-7 and rear panel
2	32184	Bolt	
3	25100	Washer	
4	201918	Bracket	
5	503688	Screw	
6	30647	Nut	
7	23951	Nut	

# Front Panel, Door Assembly and Door Seal



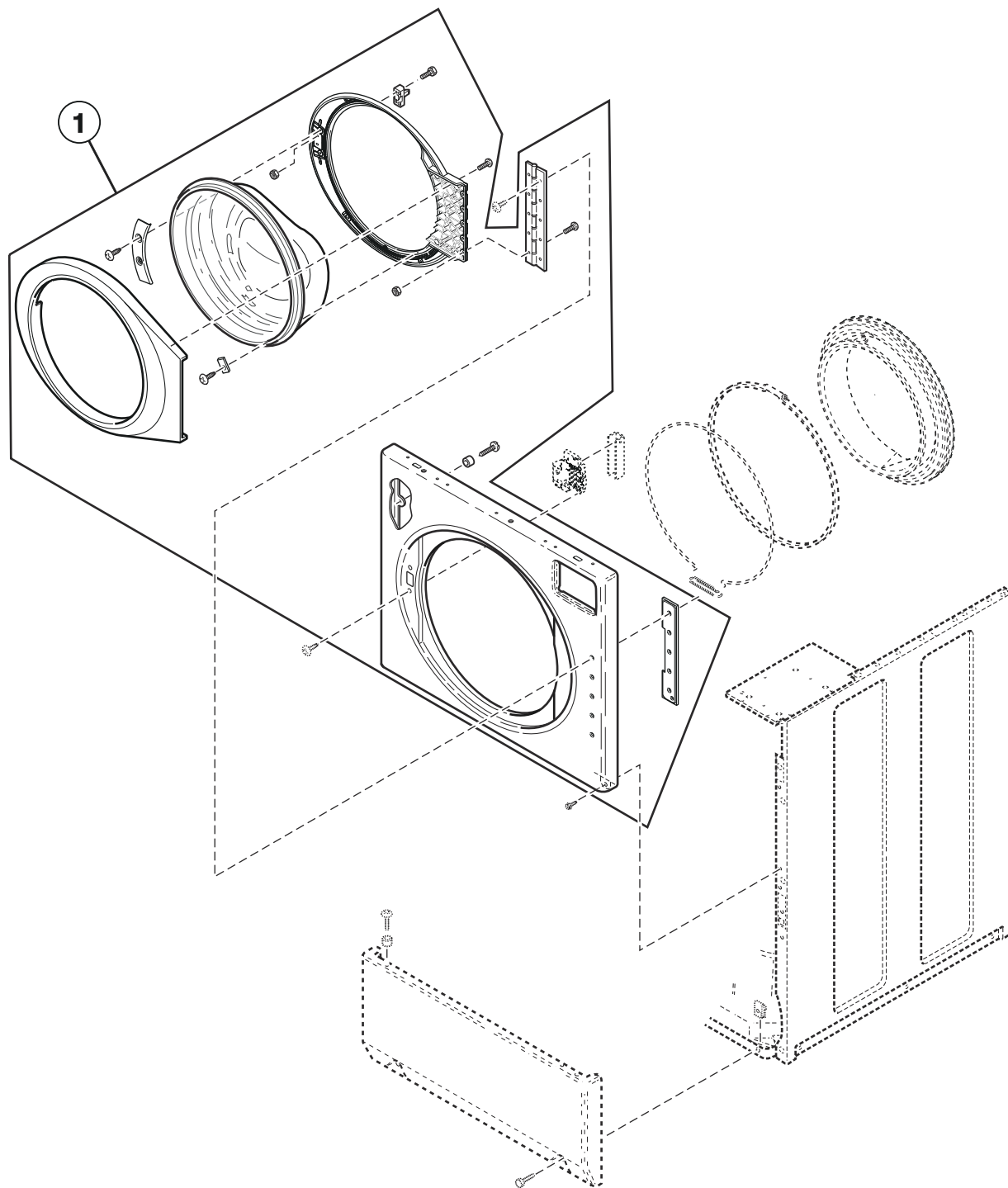
FLW1739P\_805863

## Front Panel, Door Assembly and Door Seal

REF	PART NO.	DESCRIPTION	COMMENTS
1	803710WP	Outer Door Bezel	White
	803711P	Outer Door Bezel	Gray
	803710BP	Outer Door Bezel	Black
	803710QP	Outer Door Bezel	Bisque
2	800548	Screw	
3	804239	Door Glass Mounting Plate	
4	802695P	Door Glass	
5	685846	Nut	
6	802307P	Inner Door Bezel Kit	White
	802331P	Inner Door Bezel Kit	Gray
	804562	Inner Door Bezel	Glass filled polypropylene upgrade
7	802803	Door Catch Assembly	
8	801993	Screw	
9	801019	Screw	
10	802934	Door Hinge	
11	23951	Nut	
12	802700	Glass Mounting Clip	
13	56079	Panel Locator	
14	39733	Screw	Use with painted panels
	806086	Screw	Use with stainless steel panels
15	803920	Door Latch Assembly	
16	802283	Wire Clamp Ring	
17	802281	Hose Clamp	
18	804428P	Door Seal	Black
	804429P	Door Seal Assembly	Gray
19	802285	Extension Spring	
20	802206	Hinge Plate	
21	36020	Nut	
22	503661	Screw	
23	801045	Screw	
24	804617W	Access Panel Assembly	White
	804617Q	Access Panel Assembly	Bisque
	804618	Access Panel Assembly	Stainless steel
	804617DGP	Access Panel Assembly	Dark gray
25	802277WP	Front Panel	White
	802277QP	Front Panel	Bisque
	802277DG	Front Panel	Dark gray
	802288P	Front Panel	Stainless steel
26	804083WP	Door Assembly	White; Includes items 1-7, 9-12
	804083QP	Door Assembly	Bisque; Includes items 1-7, 9-12
	804210	Door Assembly	Gray; Includes items 1-7, 9-12
	805550	Door Assembly	Black; Includes items 1-7, 9-12

# Front Panel Assembly

Models PFNJCASG114TG01, PFNJCASG114TN01, PFNJCASP114TG01, PFNJCASP114TN01, PFNJXASG114TG01, PFNJXASG114TN01, PFNJXASP114TG01, SFNNCAJP113TW01, SFNNCASG113TN01, SFNNCASG113TQ01, SFNNCASG113TW01, SFNNCASP113TN01, SFNNCASP113TQ01, SFNNCASP113TW01, SFNNCRSP113TW01, SFNNCRSP113TW02, SFNNXASG113TW01, SFNNXASP113TN01, SFNNXASP113TW01, SFNNXRSP113TW02, SFNNYAJP113TW01, SFNNYASG113TN01, SFNNYASG113TW01, SFNNYASP113TN01, SFNNYASP113TW01, SFNNYBSP113TN01, SFNNYBSP113TW01, SFNNYRSP113TW01, SFNWCASG113TN01, SFNWCASP113TN01, SFNWCASG113TW01, SFNWCASP113TW01 and SFNWRSP113TW01



FLW1739PA\_805863

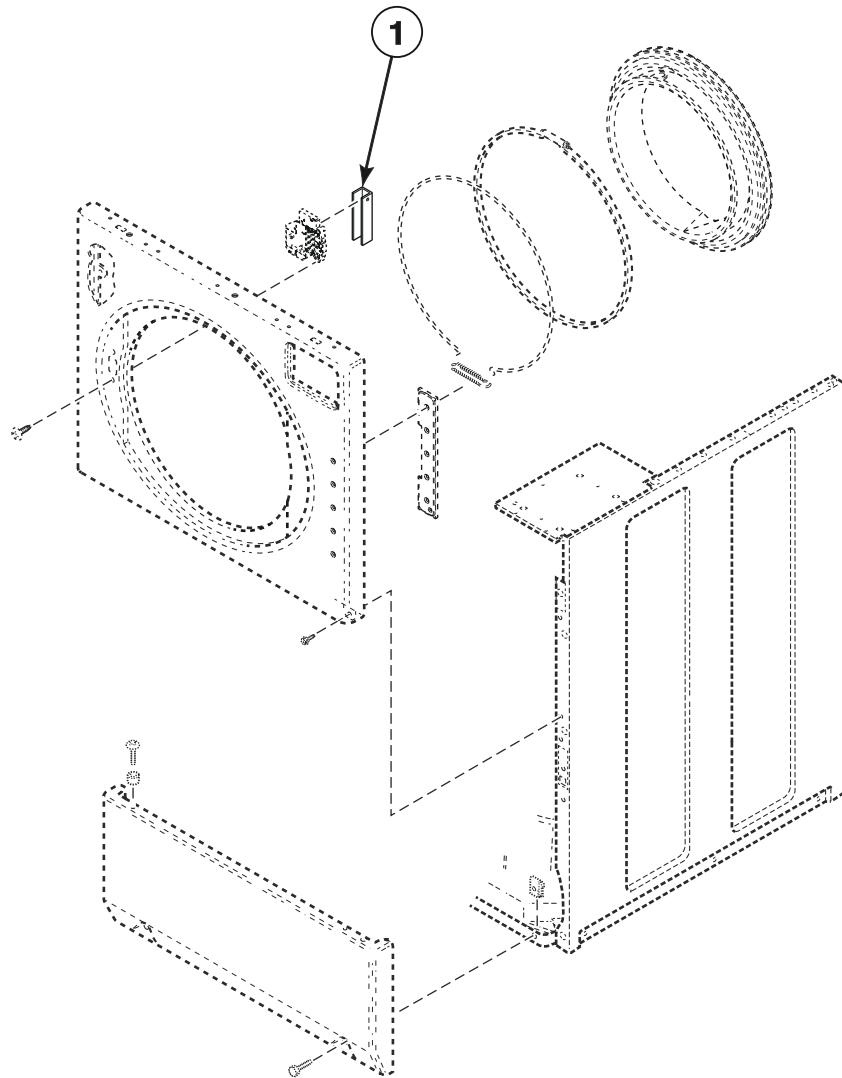


# Front Panel Assembly

REF	PART NO.	DESCRIPTION	COMMENTS
1	806505W	Front Panel Assembly Kit	White
	806560	Front Panel Assembly Kit	Stainless steel

# Door Lock Drip Shield

Models BF3JGBJG403UN01, BF3JGBJG403UN06, BF3JGBJG403UW01, BF3JGBJG403UW06, BF3JGBJP403UN01, BF3JGBJP403UN06, BF3JGBJP403UW01, BF3JGBJP403UW06, BF3JGBSG403UN01, BF3JGBSG403UN06, BF3JGBSG403UW01, BF3JGBSG403UW06, BF3JGBSP403UN01, BF3JGBSP403UN06, BF3JGBSP403UW01, BF3JGBSP403UW06, BF3JLBSG403UN01, BF3JLBSG403UN06, BF3JLBSG403UW01, BF3JLBSG403UW06, BF3JLBSP403UN01, BF3JLBSP403UN06, BF3JLBSP403UW01, BF3JLBSP403UW06, BF3JXASG403UN01, BF3JXASG403UN06, BF3JXASP403UN01, BF3JXASP403UN06, BF3JXASP403UW01, BF3JXASP403UW06, HFNNXASP123DW01, HFNNXASP543DW01, JF3JEASP413EW06, JF3JGASP413EW06, JF3JGBSP413EW06, JF3JMASG413EN06, JF3JMBSG413EN06, JF3JXASP413EW06, JFNJEASG303EW06, JFNJEASP303EW06, JFNJXASG303EW06, JFNJXASP303EW06, NF3JGBSP403SW01, NF3JLBSG403UN01, NF3JLBSG403UT01, NF3JLBSG403UT06, NF3JLBSP403NN22, NF3JLBSP403NW22, NF3JLBSP403UN01, NF3JLBSP403UT01, NF3JLBSP403UT06, NF3JLBSP403UW01, NF3JXASG403UN01, NF3JXASG403UW01, NF3JXASP403NW22, NF3JXASP403UN01, NF3JXASP403UW01, NF3JXASP403UW06, NF3JYASG403UW01, PF3JGBJG403UG06, PF3JGBJP403UG06, PF3JGBSG403UG06, PF3JGBSP403UG06, PF3JXASG403UG06, PF3JXASP403UG06, PFNJXASG303UG06, PFNJXASG543ZG01, PFNJXASP303UG06, PFNJXASP304AG01, PFNJXASP543ZG01, SF3JXASP403EW06, SFNNXASG113JW01, SFNNXASP123DW01, SFNNXASP303AN01, SFNNXASP303AN12, SFNNXASP303AW01, SFNNXASP303AW12, SFNNXASP543DW01, SFNNXRSP543NW23 and TF3JXASP403NW22

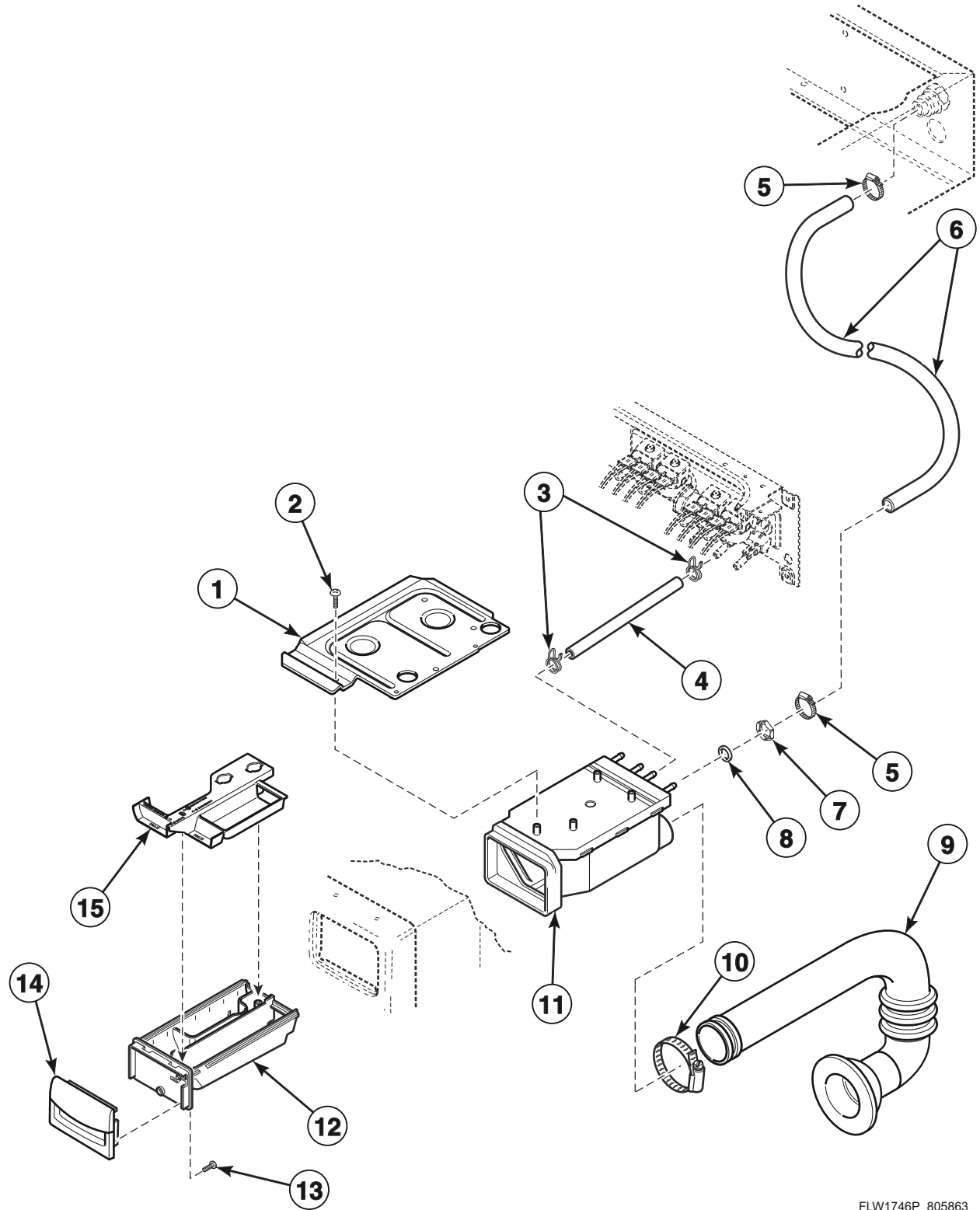


FLW1804P\_805863

# Door Lock Drip Shield

REF	PART NO.	DESCRIPTION	COMMENTS
1	804784	Door Lock Drip Shield	

# Dispenser Assembly

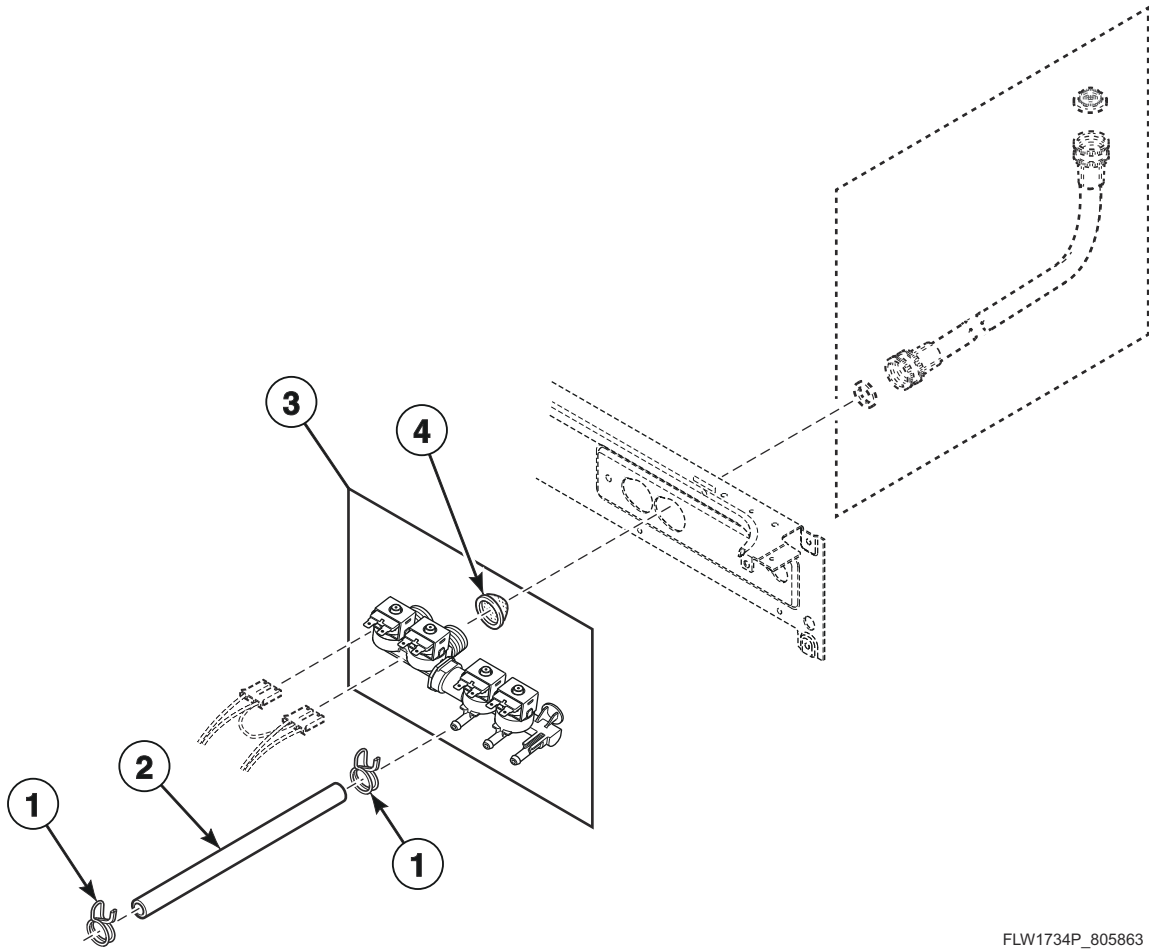


FLW1746P\_805863

# Dispenser Assembly

REF	PART NO.	DESCRIPTION	COMMENTS
	804875	Foam Pad	
	805939	Chemical Injection Conversion Kit	Includes 220 Volt/24 Volt transformer
	805938	Chemical Injection Conversion Kit	Includes 110 Volt/24 Volt transformer
<b>1</b>	803843	Dispenser Plate	
<b>2</b>	801001	Screw	
<b>3</b>	804173	Hose Clamp	
<b>4</b>	803849	Dispenser Inlet Hose	
<b>5</b>	F200206	Hose Clamp	Models BF3JGBJG403UN01, BF3JGBJG403UN06, BF3JGBJG403UW01, BF3JGBJG403UW06, BF3JGBJP403UN01, BF3JGBJP403UN06, BF3JGBJP403UW01, BF3JGBJP403UW06, PF3JGBJG403UG06, PF3JGBJP403UG06, SFNNCAJP113TW01, SFNNXAJP113CN01 and SFNNYAJP113TW01
<b>6</b>	801635	Tubing	Models BF3JGBJG403UN01, BF3JGBJG403UN06, BF3JGBJG403UW01, BF3JGBJG403UW06, BF3JGBJP403UN01, BF3JGBJP403UN06, BF3JGBJP403UW01, BF3JGBJP403UW06, PF3JGBJG403UG06, PF3JGBJP403UG06, SFNNCAJP113TW01, SFNNXAJP113CN01 and SFNNYAJP113TW01
<b>7</b>	802292	Nut	Models BF3JGBJG403UN01, BF3JGBJG403UN06, BF3JGBJG403UW01, BF3JGBJG403UW06, BF3JGBJP403UN01, BF3JGBJP403UN06, BF3JGBJP403UW01, BF3JGBJP403UW06, PF3JGBJG403UG06, PF3JGBJP403UG06, SFNNCAJP113TW01, SFNNXAJP113CN01 and SFNNYAJP113TW01
<b>8</b>	F170208	O-Ring	Models BF3JGBJG403UN01, BF3JGBJG403UN06, BF3JGBJG403UW01, BF3JGBJG403UW06, BF3JGBJP403UN01, BF3JGBJP403UN06, BF3JGBJP403UW01, BF3JGBJP403UW06, PF3JGBJG403UG06, PF3JGBJP403UG06, SFNNCAJP113TW01, SFNNXAJP113CN01 and SFNNYAJP113TW01
<b>9</b>	804717	Detergent Hose	
<b>10</b>	685725	Hose Clamp	
<b>11</b>	803698	Dispenser Assembly	
<b>12</b>	803667	Dispenser Drawer	
<b>13</b>	800548	Screw	
<b>14</b>	804526	Dispenser Handle	Light gray; Models PF3JGBJG403UG06, PF3JGBJP403UG06, PF3JGBSG403UG06, PF3JGBSP403UG06, PF3JXASG403UG06, PF3JXASP403UG06, PFNXXASG303UG06 and PFNXXASP303UG06
	804415W	Dispenser Handle	White; Models BF3JGBJG403UW06, BF3JGBJP403UW06, BF3JGBSG403UW06, BF3JGBSP403UW06, BF3JLBSG403UW06, BF3JLBSP403UW06, BF3JXASP403UW06, JF3JEASP413EW06, JF3JGASP413EW06, JF3JGBSP413EW06, JF3JXASP413EW06, JFNJEASG303EW06, JFNJEASP303EW06, JFNJXASG303EW06, JFNJXASP303EW06, NF3JLBSG403UT06, NF3JLBSP403UT06, NF3JXASP403UW06 and SF3JXASP403EW06
	804415B	Dispenser Handle	Black; Models BF3JGBJG403UN06, BF3JGBJP403UN06, BF3JGBSG403UN06, BF3JGBSP403UN06, BF3JLBSG403UN06, BF3JLBSP403UN06, BF3JXASG403UN06, BF3JXASP403UN06, JF3JMASG413EN06 and JF3JMBSG413EN06
	804228	Dispenser Handle	Light gray; Models PFNXXASG114TG01, PFNXXASP114TG01 and PFNXXASP304AG01
	804227WP	Dispenser Handle	White; All other models
	804227B	Dispenser Handle	Black; All other models
<b>15</b>	803669	Compartment Cover	

# Mixing Valve and Dispenser Hose

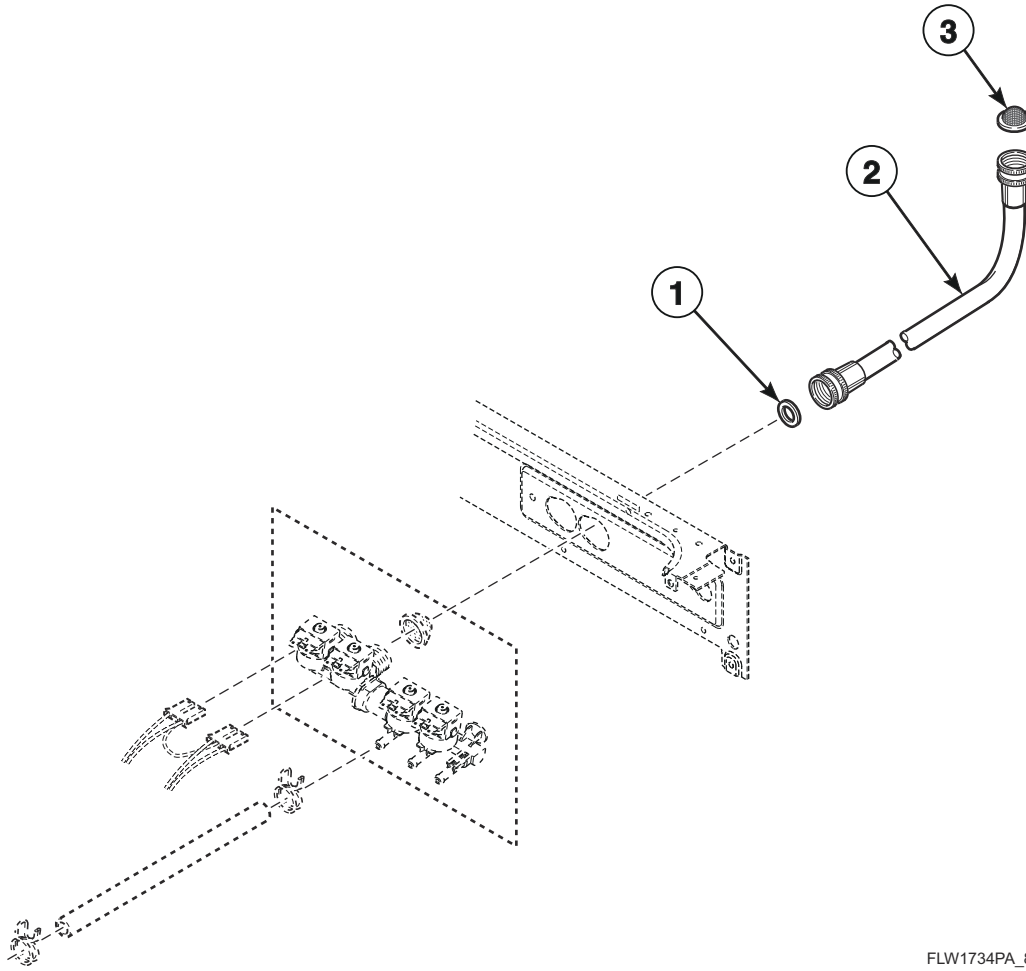


FLW1734P\_805863

## Mixing Valve and Dispenser Hose

REF	PART NO.	DESCRIPTION	COMMENTS
	804783	Mixing Valve Shield	Models BF3JGBJG403UN01, BF3JGBJG403UN06, BF3JGBJG403UW01, BF3JGBJG403UW06, BF3JGBJP403UN01, BF3JGBJP403UN06, BF3JGBJP403UW01, BF3JGBJP403UW06, BF3JGBSG403UN01, BF3JGBSG403UN06, BF3JGBSG403UW01, BF3JGBSG403UW06, BF3JGBSP403UN01, BF3JGBSP403UN06, BF3JGBSP403UW01, BF3JGBSP403UW06, BF3JLBSG403UN01, BF3JLBSG403UN06, BF3JLBSG403UW01, BF3JLBSG403UW06, BF3JLBSP403UN01, BF3JLBSP403UN06, BF3JLBSP403UW01, BF3JLBSP403UW06, BF3JXASG403UN01, BF3JXASG403UN06, BF3JXASP403UN01, BF3JXASP403UN06, BF3JXASP403UW01, BF3JXASP403UW06, HFNNXASP123DW01, HFNNXASP543DW01, JF3JEASP413EW06, JF3JGASP413EW06, JF3JGBSP413EW06, JF3JMASG413EN06, JF3JMBSG413EN06, JF3JXASP413EW06, JFNJEASG303EW06, JFNJEASP303EW06, JFNJXASG303EW06, JFNJXASP303EW06, NF3JGBSP403SW01, NF3JLBSG403UN01, NF3JLBSG403UT01, NF3JLBSG403UT06, NF3JLBSP403NN22, NF3JLBSP403NW22, NF3JLBSP403UN01, NF3JLBSP403UT01, NF3JLBSP403UT06, NF3JLBSP403UW01, NF3JXASG403UN01, NF3JXASG403UW01, NF3JXASP403NW22, NF3JXASP403UN01, NF3JXASP403UW01, NF3JXASP403UW06, NF3JYASG403UW01, PF3JGBJG403UG06, PF3JGBJP403UG06, PF3JGBSG403UG06, PF3JGBSP403UG06, PF3JXASG403UG06, PF3JXASP403UG06, PFNJCASG303UG06, PFNJCASG543ZG01, PFNJCASG303UG06, PFNJCASG304AG01, PFNJCASG543ZG01, SF3JXASP403EW06, SFNNXASG113JW01, SFNNXASP123DW01, SFNNXASP303AN01, SFNNXASP303AN12, SFNNXASP303AW01, SFNNXASP303AW12, SFNNXASP543DW01, SFNNXRSP543NW23 and TF3JXASP403NW22
1	804173	Hose Clamp	
2	803849	Dispenser Inlet Hose	
3	803809	Mixing Valve	120 Volt; Models HFNNEASP113CW01, HFNNRSP113CW01, HFNNXASP113CN01, HFNNXASP113CW01, HFNNXASP123DW01, HFNNXRSP113CW01, HFNNYASP113CW01, HFNNYBSP113CW01, HFNNYRSP113CW01, PFNJCASG114TG01, PFNJCASG114TN01, PFNJCASP114TG01, PFNJCASP114TN01, PFNJCASG114TG01, PFNJCASG114TN01, PFNJCASP114TG01, SFNNCAJP113TW01, SFNNCASG113TN01, SFNNCASG113TQ01, SFNNCASG113TW01, SFNNCASP113TN01, SFNNCASP113TQ01, SFNNCASP113TW01, SFNNCRSP113TW01, SFNNCRSP113TW02, SFNNEASP113CW01, SFNNRSP113CW02, SFNNXASP113CN01, SFNNXASG113JW01, SFNNXASG113TW01, SFNNXASP113CN01, SFNNXASP113CW01, SFNNXASP113TN01, SFNNXASP113TW01, SFNNXASP123DW01, SFNNXRSP113CW02, SFNNXRSP113TW02, SFNNYASP113TW01, SFNNYASG113TN01, SFNNYASG113TW01, SFNNYASP113CW01, SFNNYASP113TN01, SFNNYASP113TW01, SFNNYBSP113TN01, SFNNYBSP113TW01, SFNNYRSP113TW01, SFNWCASG113TN01, SFNWCASP113TN01, SFNWCASG113TN01, SFNWCASP113TN01, SFNWCASG113TN01, SFNWCASP113TN01 and SFNWCASG113TN01
	803838P	Mixing Valve	240 Volt; All other models
4	24122	Mixing Valve Screen	

# Fill Hose (Drawing 1 of 2)



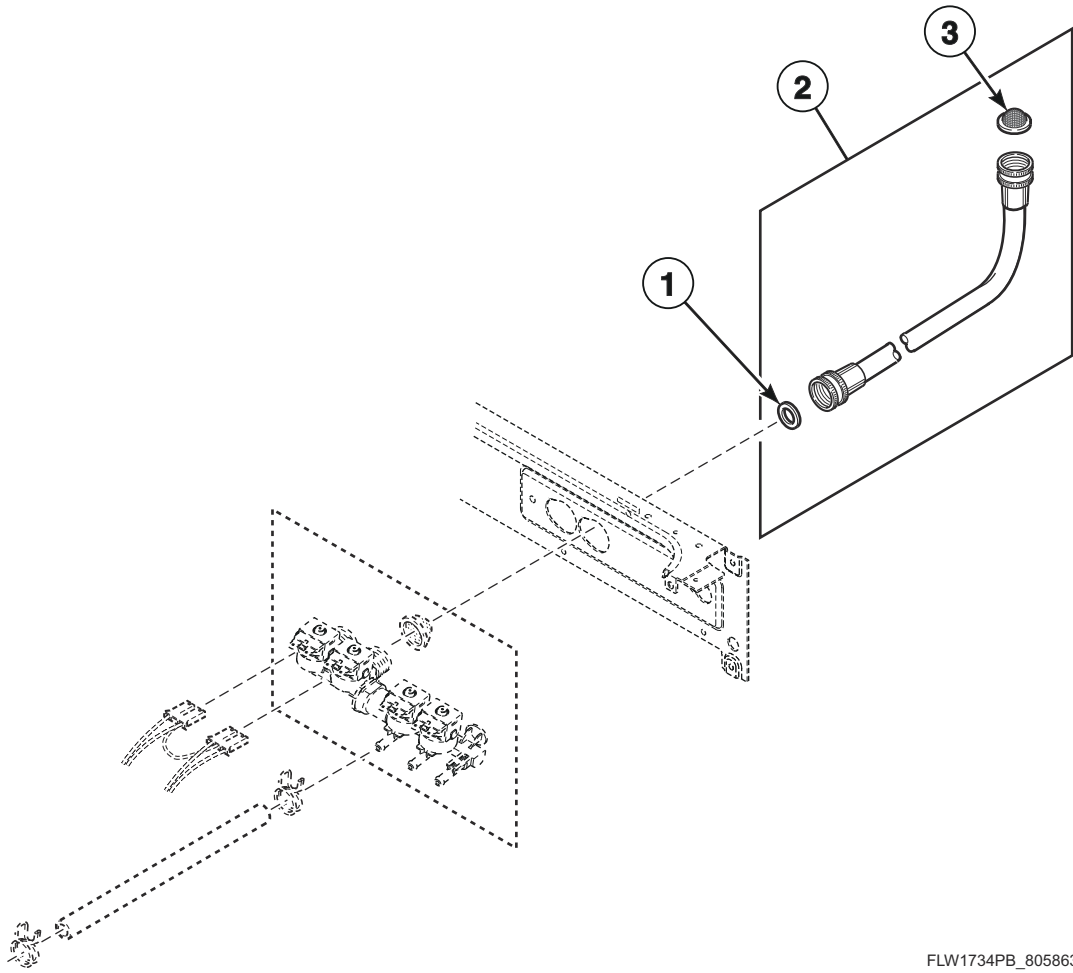
FLW1734PA\_805863



## Fill Hose (Drawing 1 of 2)

REF	PART NO.	DESCRIPTION	COMMENTS
1	20290	Washer	
2	202799	Fill Hose	4 feet; Hose is equipped with 2 standard hose couplings; Models HFNNXASP123DW01, HFNNXASP543DW01, SFNNXASP123DW01 and SFNNXASP543DW01
	20617	Fill Hose	8 feet; Hose is equipped with 2 standard hose couplings; Models HFNNEASP113CW01, HFNNERSP113CW01, HFNNXASP113CN01, HFNNXASP113CW01, HFNNXRSP113CW01, HFNNYASP113CW01, HFNNYBSP113CW01, HFNNYRSP113CW01, PFNJCASG114TG01, PFNJCASG114TN01, PFNJCASP114TG01, PFNJCASP114TN01, PFNJXASG114TG01, PFNJXASG114TN01, PFNJXASP114TG01, SFNNCAJP113TW01, SFNNCASG113TN01, SFNNCASG113TQ01, SFNNCASG113TW01, SFNNCASP113TN01, SFNNCASP113TQ01, SFNNCASP113TW01, SFNNCRSP113TW01, SFNNCRSP113TW02, SFNNEASP113CW01, SFNNERSP113CW02, SFNNXAJP113CN01, SFNNXASG113TW01, SFNNXASP113CN01, SFNNXASP113CW01, SFNNXASP113TN01, SFNNXASP113TW01, SFNNXRSP113CW02, SFNNXRSP113TW02, SFNNYAJP113TW01, SFNNYASG113TN01, SFNNYASG113TW01, SFNNYASP113CW01, SFNNYASP113TN01, SFNNYASP113TW01, SFNNYBSP113TN01, SFNNYBSP113TW01, SFNNYRSP113TW01, SFNWCASG113TN01, SFNWCASP113TN01, SFNXYASG113TN01, SFNXYASP113TN01, SFNXYASP113TW01 and SFNXYRSP113TW01
	20618	Fill Hose	10 feet; Hose is equipped with 2 standard hose couplings; Models HFNNEASP113CW01, HFNNERSP113CW01, HFNNXASP113CN01, HFNNXASP113CW01, HFNNXRSP113CW01, HFNNYASP113CW01, HFNNYBSP113CW01, HFNNYRSP113CW01, PFNJCASG114TG01, PFNJCASG114TN01, PFNJCASP114TG01, PFNJCASP114TN01, PFNJXASG114TG01, PFNJXASG114TN01, PFNJXASP114TG01, SFNNCAJP113TW01, SFNNCASG113TN01, SFNNCASG113TQ01, SFNNCASG113TW01, SFNNCASP113TN01, SFNNCASP113TQ01, SFNNCASP113TW01, SFNNCRSP113TW01, SFNNCRSP113TW02, SFNNEASP113CW01, SFNNERSP113CW02, SFNNXAJP113CN01, SFNNXASG113TW01, SFNNXASP113CN01, SFNNXASP113CW01, SFNNXASP113TN01, SFNNXASP113TW01, SFNNXRSP113CW02, SFNNXRSP113TW02, SFNNYAJP113TW01, SFNNYASG113TN01, SFNNYASG113TW01, SFNNYASP113CW01, SFNNYASP113TN01, SFNNYASP113TW01, SFNNYBSP113TN01, SFNNYBSP113TW01, SFNNYRSP113TW01, SFNWCASG113TN01, SFNWCASP113TN01, SFNXYASG113TN01, SFNXYASP113TN01, SFNXYASP113TW01 and SFNXYRSP113TW01
	202800	Fill Hose	4 feet; Hose is equipped with 1 standard and 1 BSPP coupling; All other models
	202931	Fill Hose	10 feet; Hose is equipped with 1 standard and 1 BSPP coupling; All other models
3	803615	Washer	Filter screen
	802254	Washer	Flow restrictor; Water pressure reducer; Available for water pressure up to but not exceeding 120 psi

# Fill Hose (Drawing 2 of 2)

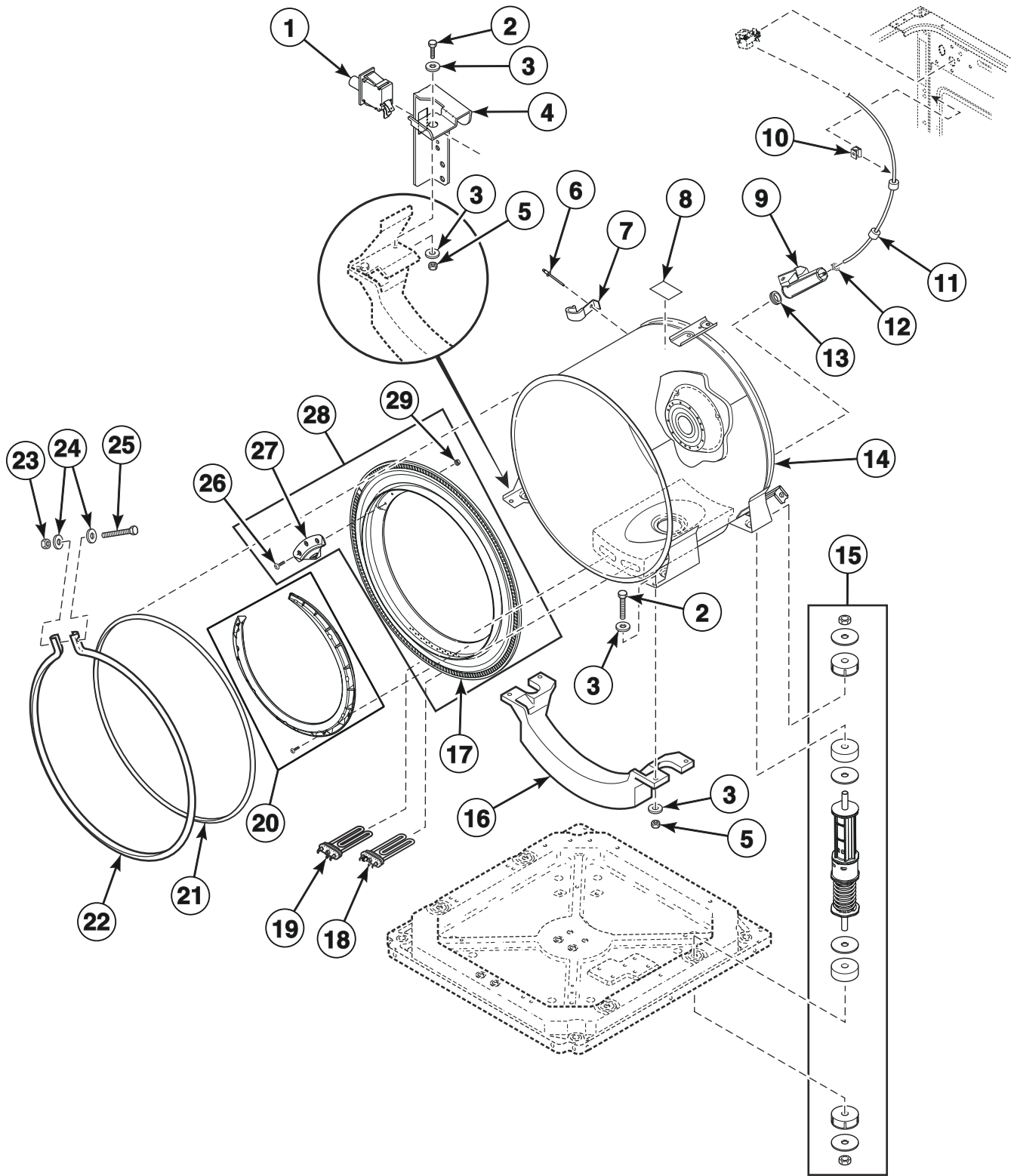


FLW1734PB\_805863

## Fill Hose (Drawing 2 of 2)

REF	PART NO.	DESCRIPTION	COMMENTS
1	20290	Washer	
2	F200116	Water Hose	5 feet; Hose is equipped with 2 standard hose couplings; Includes items 1 and 3; Models HFNNEASP113CW01, HFNNERSP113CW01, HFNNXASP113CN01, HFNNXASP113CW01, HFNNXRSP113CW01, HFNNYASP113CW01, HFNNYBSP113CW01, HFNNYRSP113CW01, PFNJCASG114TG01, PFNJCASP114TN01, PFNJCASP114TG01, PFNJCASP114TN01, PFNJXASG114TG01, PFNJXASP114TN01, PFNJXASP114TG01, SFNNCAJP113TW01, SFNNCASG113TN01, SFNNCASG113TQ01, SFNNCASG113TW01, SFNNCASP113TN01, SFNNCASP113TQ01, SFNNCASP113TW01, SFNNCRSP113TW01, SFNNCRSP113TW02, SFNNEASP113CW01, SFNNERSP113CW02, SFNNXAJP113CN01, SFNNXASG113TW01, SFNNXASP113CN01, SFNNXASP113CW01, SFNNXASP113TN01, SFNNXASP113TW01, SFNNXRSP113CW02, SFNNXRSP113TW02, SFNNYAJP113TW01, SFNNYASG113TN01, SFNNYASG113TW01, SFNNYASP113CW01, SFNNYASP113TN01, SFNNYASP113TW01, SFNNYBSP113TN01, SFNNYBSP113TW01, SFNNYRSP113TW01, SFNWCASG113TN01, SFNWCASP113TN01, SFNWYASG113TN01, SFNWYASP113TN01, SFNWYASP113TW01 and SFNWYRSP113TW01
	203676	Hose and Washers Kit	Includes 2 of item 1; 4 feet; Hose is equipped with 2 standard hose couplings; Models HFNNXASP123DW01, HFNNXASP543DW01, SFNNXASP123DW01 and SFNNXASP543DW01
	203675	Hose and Washers Kit	Includes 2 of item 1; 4 feet; Hose is equipped with 1 standard and 1 BSPP coupling; All other models
3	803615	Washer	Filter screen
	802254	Washer	Flow restrictor; Water pressure reducer; Available for water pressure up to but not exceeding 120 psi

# Outer Tub, Clamp Ring and Shock Absorbers

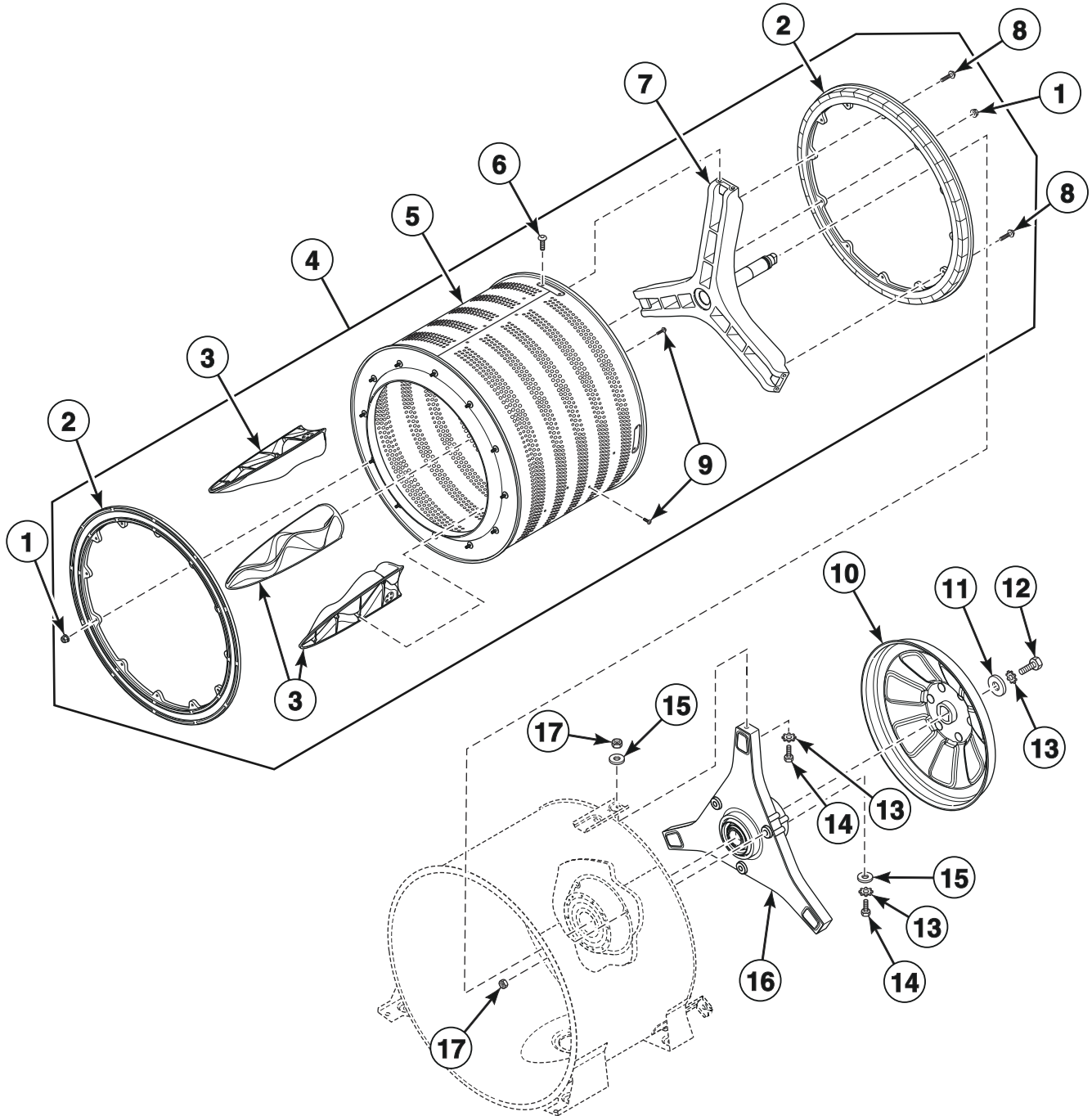


FLW1810P\_805863

## Outer Tub, Clamp Ring and Shock Absorbers

REF	PART NO.	DESCRIPTION	COMMENTS
1	803415	Out-of-Balance Switch Assembly	
2	800461	Screw	
3	804458	Washer	
4	804457	Out-of-Balance Switch Bracket	
5	800452	Nut	
6	685847	Pop Rivet	
7	800553	Hose Clip	
8	500049	Warning Label	
9	803837	Pressure Bulb	
10	36985	Hose Clip	
11	804483	Pressure Sensor Tube Assembly	
12	803891	Hose Clamp	
13	29175	Grommet	
14	803865	Outer Tub Assembly	Models with heater
	803864	Outer Tub Assembly	Models without heater
15	803777	Shock Assembly	Must replace all 4
16	803810	Counterweight	
17	803770	Tub Front	
18	804777P	Heating Element	Includes thermistor; Models with heater
19	804778P	Heating Element	Models with heater
20	806308	Foreign Object Deflector	Black; Includes screws
	806313	Foreign Object Deflector	Gray; Includes screws
	806361	Foreign Object Deflector	Tall; Gray; Includes screws
21	803801	Tub Front Seal	
22	803802	Clamp Ring	
23	F430218	Nut	
24	M400081	Washer	8 required
25	800462	Screw	
26	802596	Screw	
27	804467	Clothes Guard Deflector	
	805548	Clothes Guard Deflector	Heavy duty
28	803879	Tub Front Assembly	Includes items 17, 20, 26, 27 and 29
29	802343	Nut	

# Inner Basket, Trunnion, Bearing Housing and Pulley

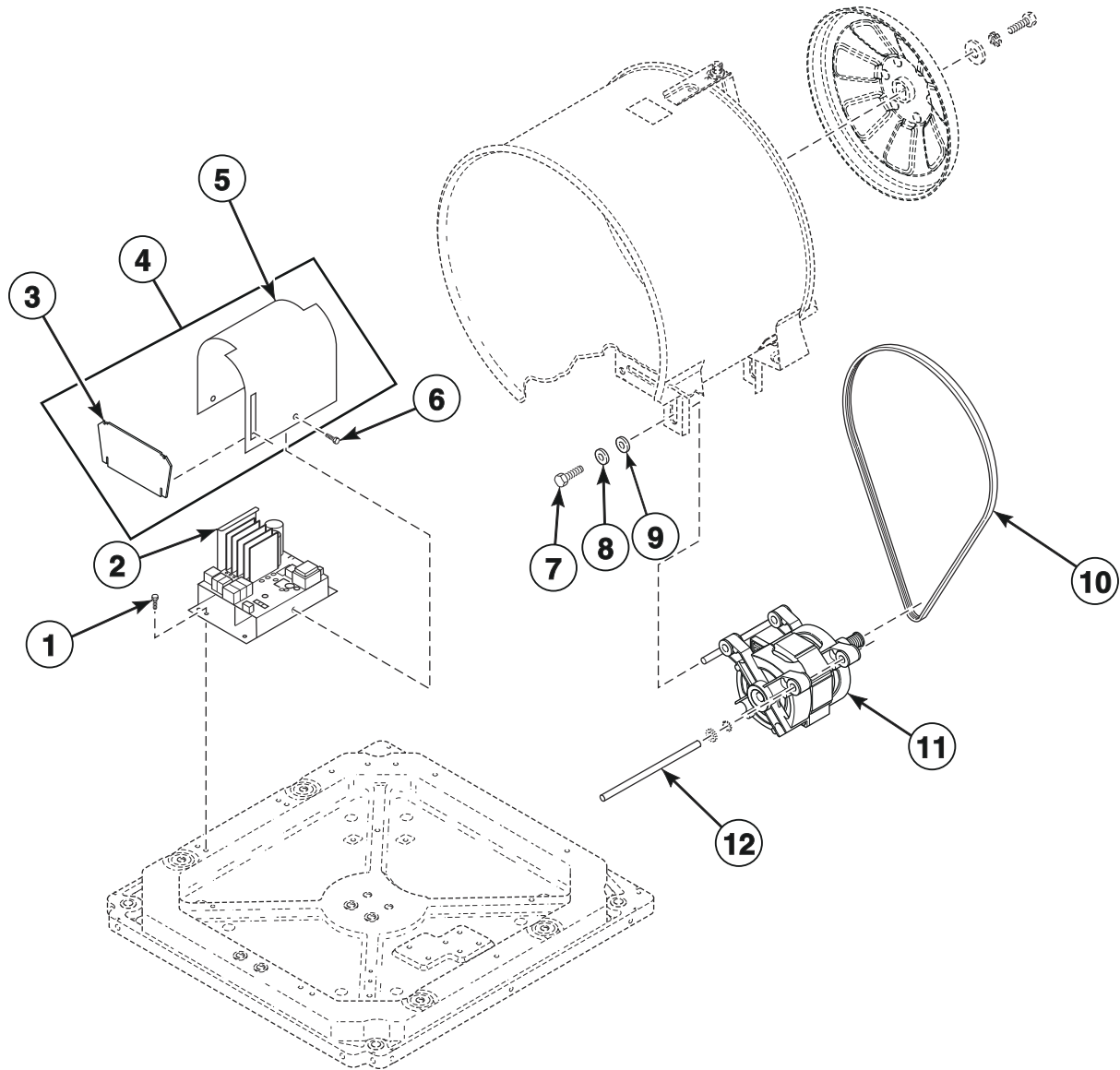


FLW1803P\_805863

## Inner Basket, Trunnion, Bearing Housing and Pulley

REF	PART NO.	DESCRIPTION	COMMENTS
	27604P	Anti-Seize Compound	Pulley to inner basket shaft
	805730	Bearing Kit	
1	804418	Nut	
2	804393	Balance Ring Assembly	
3	804382	Lifter	
4	805485	Inner Basket Assembly	Models SFNNXASP303AN12 and SFNNXASP303AW12
	804376P	Inner Basket Assembly Kit	All other models
5	804374P	Inner Basket Assembly	
6	804699	Screw	
7	804405P	Trunnion Shaft Kit	Includes hardware
8	804399	Screw	
9	800548	Screw	
10	803974	Pulley Assembly	
11	800464	Washer	
12	685831	Screw	Left hand thread
13	M403958	Washer	Used on models through Serial No. 1609046805
14	M400043	Screw	
15	800457	Washer	
16	805525	Bearing Housing Kit	Includes hardware and tool
17	800452	Nut	

# Motor and Belt



FLW1794P\_805863

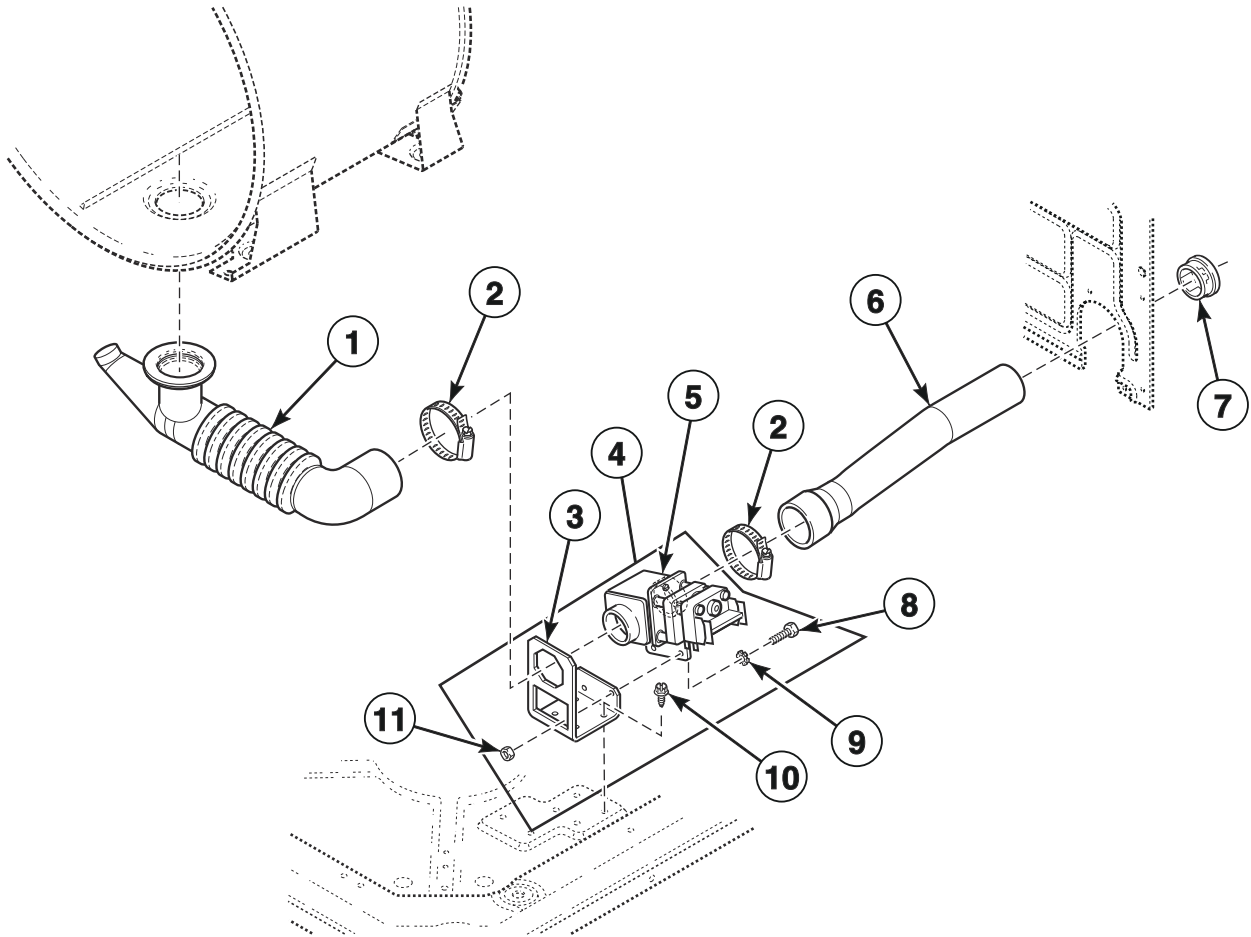


## Motor and Belt

REF	PART NO.	DESCRIPTION	COMMENTS
1	503661	Screw	
2	803949P	Inverter Control Assembly	
3	806258	End Shield	All models except HFNNEASP113CW01, HFNNERSP113CW01, HFNNXASP113CN01, HFNNXASP113CW01, HFNNXRSP113CW01, HFNNYASP113CW01, HFNNYBSP113CW01, HFNNYRSP113CW01, PFNJCASG114TG01, PFNJCASG114TN01, PFNJCASP114TG01, PFNJCASP114TN01, PFNJXASG114TG01, PFNJXASG114TN01, PFNJXASP114TG01, SFNNCAJP113TW01, SFNNCASG113TN01, SFNNCASG113TQ01, SFNNCASG113TW01, SFNNCASP113TN01, SFNNCASP113TQ01, SFNNCASP113TW01, SFNNCRSP113TW01, SFNNCRSP113TW02, SFNNEASP113CW01, SFNNERSP113CW02, SFNNXAJP113CN01, SFNNXASG113TW01, SFNNXASP113CN01, SFNNXASP113CW01, SFNNXASP113TN01, SFNNXASP113TW01, SFNNXRSP113CW02, SFNNXRSP113TW02, SFNNYAJP113TW01, SFNNYASG113TN01, SFNNYASG113TW01, SFNNYASP113CW01, SFNNYASP113TN01, SFNNYASP113TW01, SFNNYBSP113TN01, SFNNYBSP113TW01, SFNNYRSP113TW01, SFNWCASG113TN01, SFNWCASP113TN01, SFNWyASG113TN01, SFNWyASP113TN01, SFNWyASP113TW01 and SFNWyRSP113TW01
4	806498	Motor Control Shield	Includes items 3 and 5; All models except HFNNEASP113CW01, HFNNERSP113CW01, HFNNXASP113CN01, HFNNXASP113CW01, HFNNXRSP113CW01, HFNNYASP113CW01, HFNNYBSP113CW01, HFNNYRSP113CW01, PFNJCASG114TG01, PFNJCASG114TN01, PFNJCASP114TG01, PFNJCASP114TN01, PFNJXASG114TG01, PFNJXASG114TN01, PFNJXASP114TG01, SFNNCAJP113TW01, SFNNCASG113TN01, SFNNCASG113TQ01, SFNNCASG113TW01, SFNNCASP113TN01, SFNNCASP113TQ01, SFNNCASP113TW01, SFNNCRSP113TW01, SFNNCRSP113TW02, SFNNEASP113CW01, SFNNERSP113CW02, SFNNXAJP113CN01, SFNNXASG113TW01, SFNNXASP113CN01, SFNNXASP113CW01, SFNNXASP113TN01, SFNNXASP113TW01, SFNNXRSP113CW02, SFNNXRSP113TW02, SFNNYAJP113TW01, SFNNYASG113TN01, SFNNYASG113TW01, SFNNYASP113CW01, SFNNYASP113TN01, SFNNYASP113TW01, SFNNYBSP113TN01, SFNNYBSP113TW01, SFNNYRSP113TW01, SFNWCASG113TN01, SFNWCASP113TN01, SFNWyASG113TN01, SFNWyASP113TN01, SFNWyASP113TW01 and SFNWyRSP113TW01
5	804878	Motor Control Shield	
6	501524	Screw	
7	M400057	Screw	
8	02834	Washer	
9	M400080	Washer	
10	804985	Drive Belt	
11	805726P	Motor and Rod Assembly Kit	Includes item 12
12	803861	Motor Rod	

# Drain Hoses and Valve

Gravity Drain Models



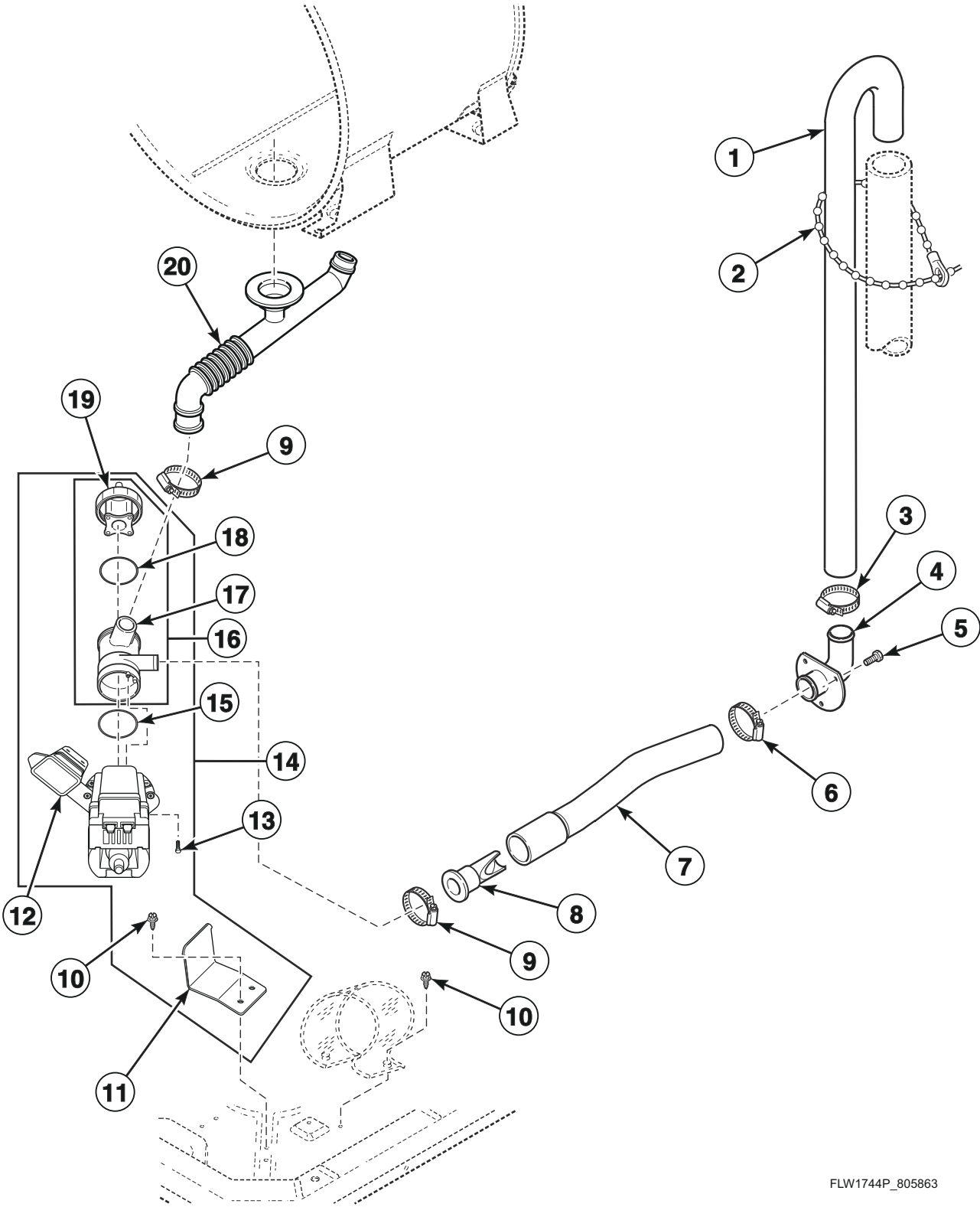
FLW1745P\_805863

## Drain Hoses and Valve

REF	PART NO.	DESCRIPTION	COMMENTS
1	803873	Tub-to-Drain Hose	Models BF3JGBJG403UN01, BF3JGBJG403UN06, BF3JGBJG403UW01, BF3JGBJG403UW06, BF3JGBSG403UN01, BF3JGBSG403UN06, BF3JGBSG403UW01, BF3JGBSG403UW06, BF3JLBSG403UN01, BF3JLBSG403UN06, BF3JLBSG403UW01, BF3JLBSG403UW06, BF3JXASG403UN01, BF3JXASG403UN06, JF3JMASG413EN06, JF3JMBSG413EN06, NF3JLBSG403UN01, NF3JLBSG403UT01, NF3JLBSG403UT06, NF3JXASG403UN01, NF3JXASG403UW01, NF3JYASG403UW01, PF3JGBJG403UG06, PF3JGBSG403UG06 and PF3JXASG403UG06
	803874	Tub-to-Gravity Drain Hose	All other models
	27615P	Sealant	Tub-to-drain hose to outer tub
2	685725	Hose Clamp	
3	803291	Gravity Drain Bracket	
4	F975P3	Drain Valve Kit	120 Volt; Includes items 3, 5 and 8-11; Models PFNJCASG114TG01, PFNJCASG114TN01, PFNJJASG114TG01, PFNJJASG114TN01, SFNNCASG113TN01, SFNNCASG113TQ01, SFNNCASG113TW01, SFNNXASG113JW01, SFNNXASG113TW01, SFNNYASG113TN01, SFNNYASG113TW01, SFNWCASG113TN01 and SFNWWYASG113TN01
	F976P3	Drain Valve Kit	240 Volt; Includes items 3, 5 and 8-11; All other models
5	803293	Drain Valve	120 Volt; Models PFNJCASG114TG01, PFNJCASG114TN01, PFNJJASG114TG01, PFNJJASG114TN01, SFNNCASG113TN01, SFNNCASG113TQ01, SFNNCASG113TW01, SFNNXASG113JW01, SFNNXASG113TW01, SFNNYASG113TN01, SFNNYASG113TW01, SFNWCASG113TN01 and SFNWWYASG113TN01
	803292	Gravity Drain Valve	240 Volt; All other models
6	800903	Drain-to-Cabinet Hose	
7	503235	Snap Bushing	
8	02916	Screw	
9	M400017	Washer	
10	503661	Screw	
11	29786	Nut	

# Drain Hose and Pump

Pump Models



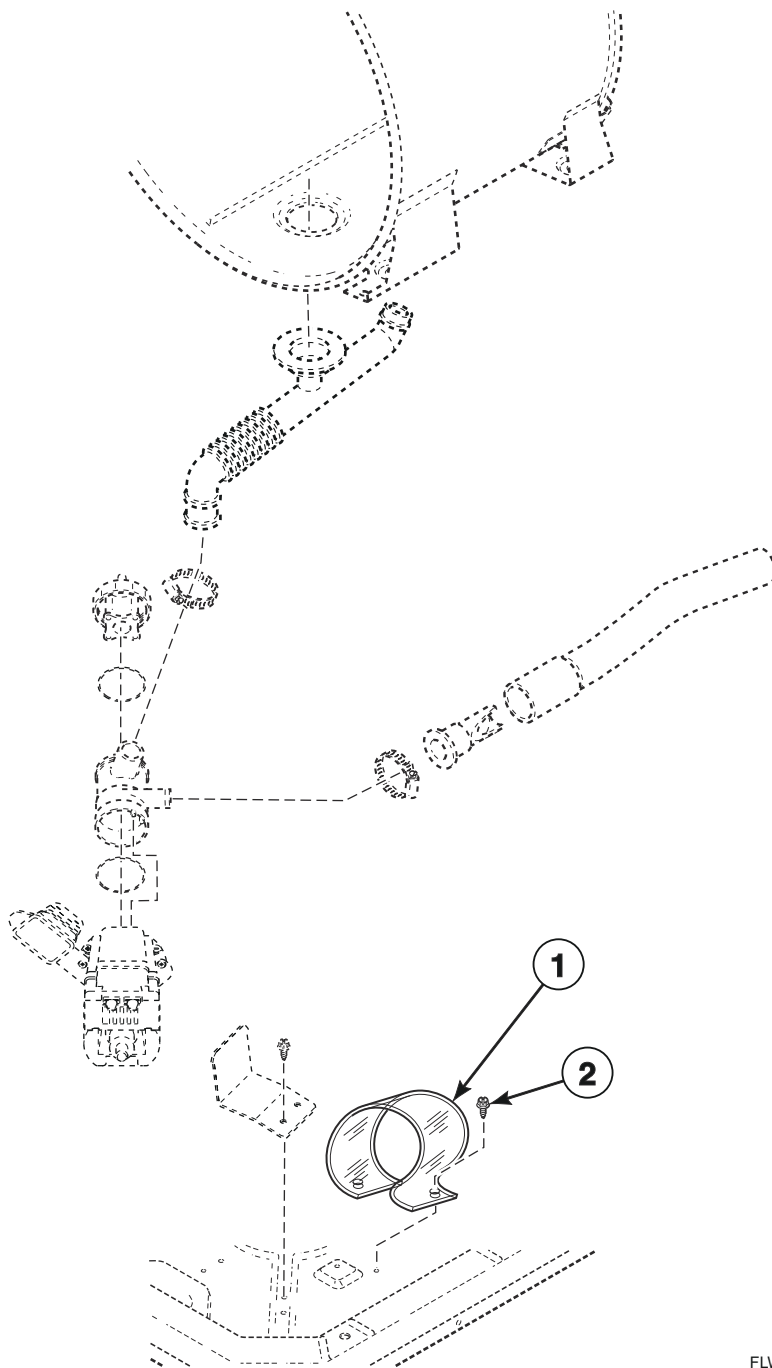
FLW1744P\_805863

# Drain Hose and Pump

REF	PART NO.	DESCRIPTION	COMMENTS
	805771	Pump-to-Gravity Drain Kit	120 Volt; Models HFNNEASP113CW01, HFNNERSP113CW01, HFNNXASP113CN01, HFNNXASP113CW01, HFNNXRSP113CW01, HFNNYASP113CW01, HFNNYBSP113CW01, HFNNYRSP113CW01, PFNJCASP114TG01, PFNJCASP114TN01, PFNJJXASP114TG01, SFNNCAJP113TW01, SFNNCASP113TN01, SFNNCASP113TQ01, SFNNCASP113TW01, SFNNCRSP113TW01, SFNNCRSP113TW02, SFNNEASP113CW01, SFNNERSP113CW02, SFNNXAJP113CN01, SFNNXASP113CN01, SFNNXASP113CW01, SFNNXASP113TN01, SFNNXASP113TW01, SFNNXRSP113CW02, SFNNXRSP113TW02, SFNNYAJP113TW01, SFNNYASP113CW01, SFNNYASP113TN01, SFNNYASP113TW01, SFNNYBSP113TN01, SFNNYBSP113TW01, SFNNYRSP113TW01, SFNWCASP113TN01, SFNXYASP113TN01, SFNXYASP113TW01 and SFNXYRSP113TW01
	805770	Pump-to-Gravity Drain Kit	240 Volt; All other models
1	27154	Drain Hose	
2	33489	Standpipe Strap	
3	20211	Hose Clamp	
4	35766	Drain Hose Elbow	
5	52909	Screw	
6	20391	Hose Clamp	
7	803734	Pump-to-Elbow Hose	
8	800310	Backflow Preventer	
9	F200204	Hose Clamp	
10	503661	Screw	
11	803814	Drain Base Bracket	
12	803815	Drain Pump Isolator	
13	802431	Screw	
14	805722P	Drain Pump Assembly	208-240 Volt/60 Hertz; Includes items 11-13 and 15-19; Models HFNNXASP543DW01, PFNJJXASP543ZG01 and SFNNXASP543DW01
	803921P	Drain Pump Assembly	120 Volt/60 Hertz; Includes items 11-13 and 15-19; Models HFNNEASP113CW01, HFNNERSP113CW01, HFNNXASP113CN01, HFNNXASP113CW01, HFNNXRSP113CW01, HFNNYASP113CW01, HFNNYBSP113CW01, HFNNYRSP113CW01, PFNJCASP114TG01, PFNJCASP114TN01, PFNJJXASP114TG01, SFNNCAJP113TW01, SFNNCASP113TN01, SFNNCASP113TQ01, SFNNCASP113TW01, SFNNCRSP113TW01, SFNNCRSP113TW02, SFNNEASP113CW01, SFNNERSP113CW02, SFNNXAJP113CN01, SFNNXASP113CN01, SFNNXASP113CW01, SFNNXASP113TN01, SFNNXASP113TW01, SFNNXRSP113CW02, SFNNXRSP113TW02, SFNNYAJP113TW01, SFNNYASP113CW01, SFNNYASP113TN01, SFNNYASP113TW01, SFNNYBSP113TN01, SFNNYBSP113TW01, SFNNYRSP113TW01, SFNWCASP113TN01, SFNXYASP113TN01, SFNXYASP113TW01 and SFNXYRSP113TW01
	805724P	Drain Pump Assembly	100-127 Volt/60 Hertz; Includes items 11-13 and 15-19; Models HFNNXASP123DW01 and SFNNXASP123DW01
	803922	Drain Pump Assembly	220-240 Volt/50 Hertz; Includes items 11-13 and 15-19; All other models
15	802429P	O-Ring	
16	802434P	Pump Housing Assembly	Includes items 17-19
17	802428	Pump Housing	
18	802427	Gasket	
19	802426P	Lid Assembly	Includes filter
20	803816	Tub-to-Pump Hose	Models with heater
	803829	Tub-to-Pump Hose	Models without heater
	27615P	Sealant	Tub-to-pump hose to outer tub

# Drain Pump Shield

Models BF3JGBJP403UN01, BF3JGBJP403UN06, BF3JGBJP403UW01, BF3JGBJP403UW06, BF3JGBSP403UN01, BF3JGBSP403UN06, BF3JGBSP403UW01, BF3JGBSP403UW06, BF3JLBSP403UN01, BF3JLBSP403UN06, BF3JLBSP403UW01, BF3JLBSP403UW06, BF3JXASP403UN01, BF3JXASP403UN06, BF3JXASP403UW01, BF3JXASP403UW06, HFNNXASP123DW01, HFNNXASP543DW01, JF3JEASP413EW06, JF3JGASP413EW06, JF3JGBSP413EW06, JF3JXASP413EW06, JFNJEASP303EW06, JFNJXASP303EW06, NF3JGBSP403SW01, NF3JLBSP403NN22, NF3JLBSP403NW22, NF3JLBSP403UN01, NF3JLBSP403UT01, NF3JLBSP403UT06, NF3JLBSP403UW01, NF3JXASP403NW22, NF3JXASP403UN01, NF3JXASP403UW01, NF3JXASP403UW06, PF3JGBJP403UG06, PF3JGBSP403UG06, PF3JXASP403UG06, PFNJXASP303UG06, PFNJXASP304AG01, PFNJXASP543ZG01, SF3JXASP403EW06, SFNNXASP123DW01, SFNNXASP303AN01, SFNNXASP303AN12, SFNNXASP303AW01, SFNNXASP303AW12, SFNNXASP543DW01, SFNNXRSP543NW23 and TF3JXASP403NW22

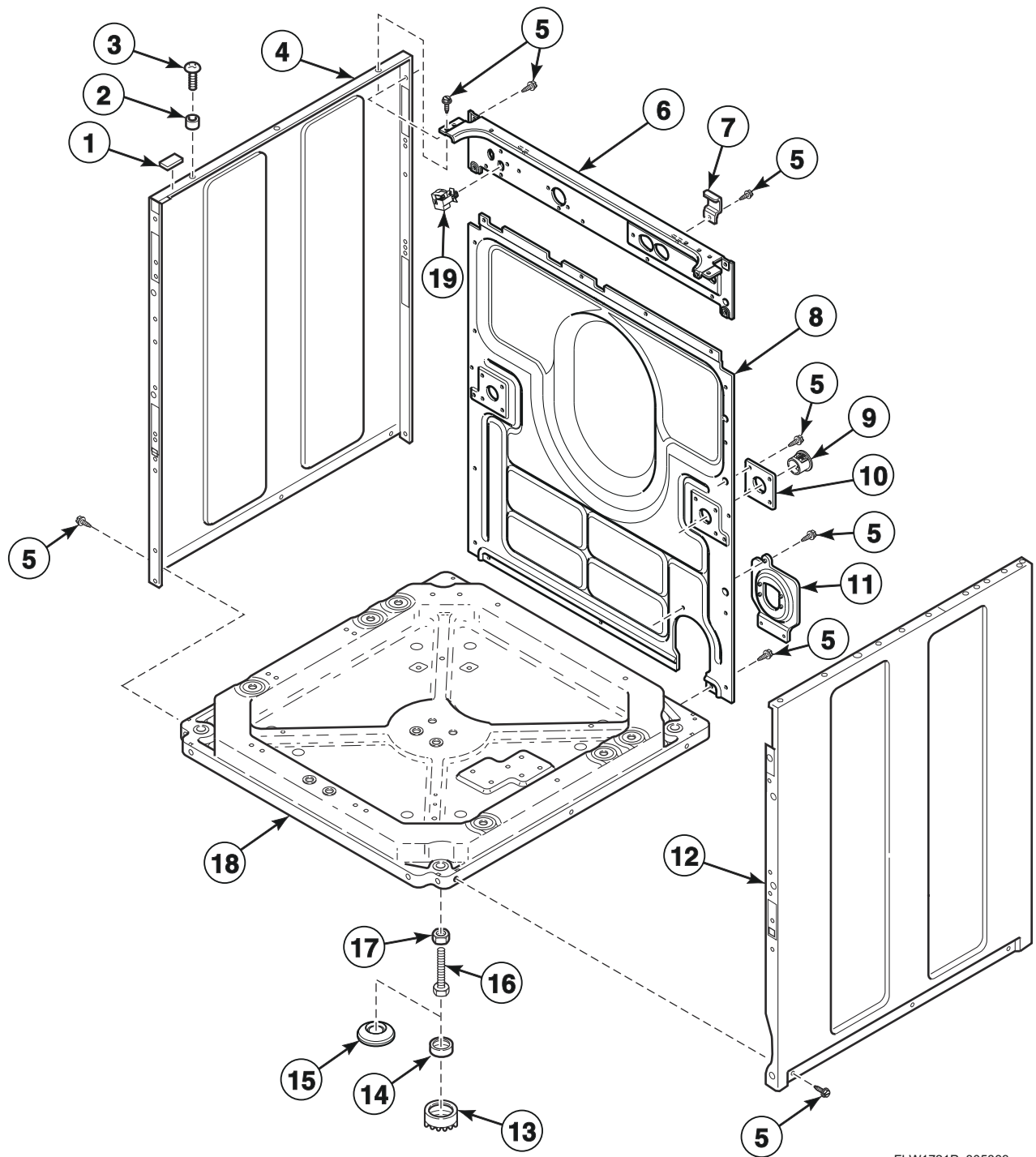


FLW1805P\_805863

# Drain Pump Shield

REF	PART NO.	DESCRIPTION	COMMENTS
1	805561	Drain Pump Drip Shield	
2	503661	Screw	

# Side, Base and Rear Panels



FLW1721P\_805863

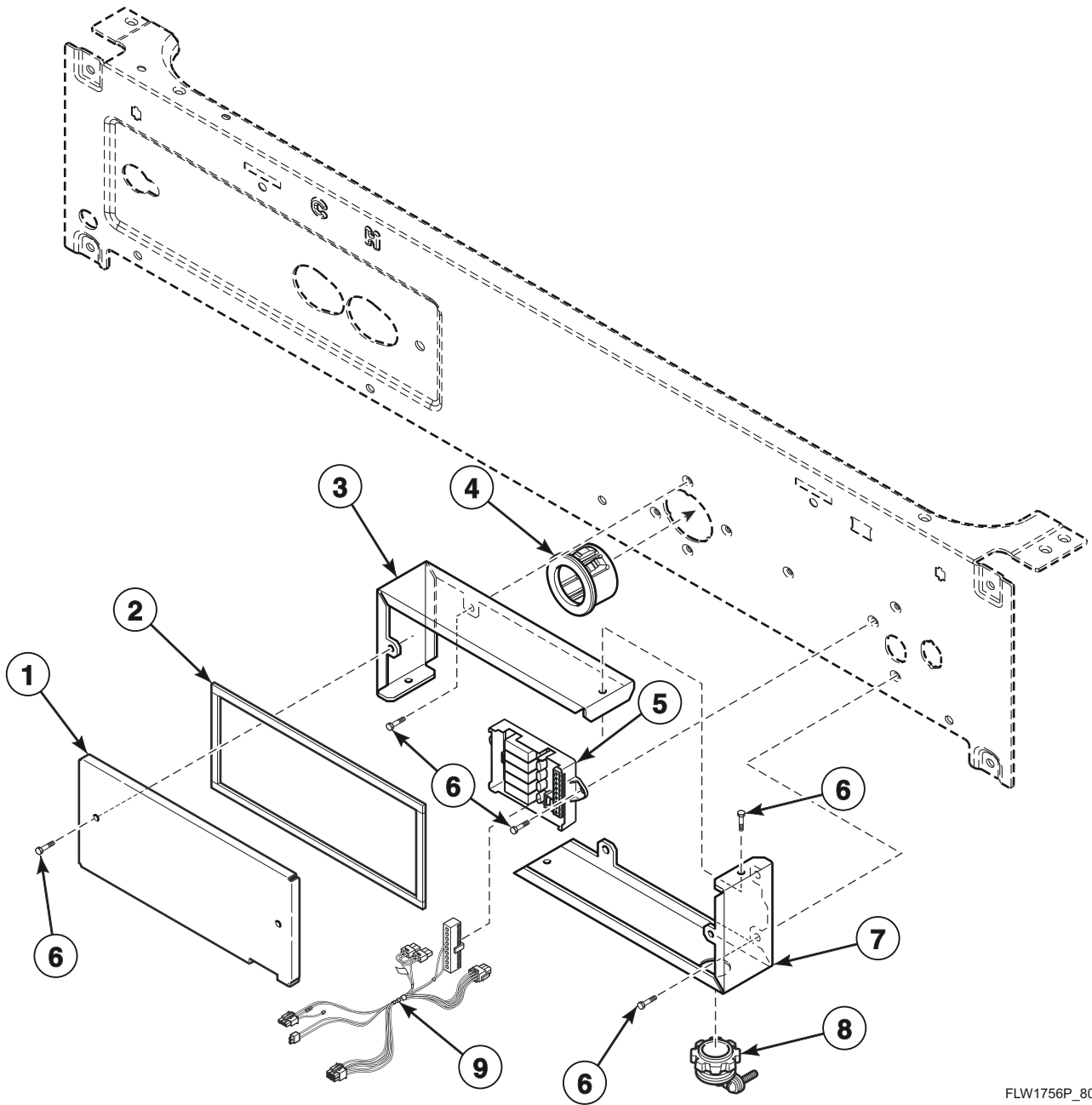


## Side, Base and Rear Panels

REF	PART NO.	DESCRIPTION	COMMENTS
	122P4P	Porcelain Touch-Up Paint	White
	370P4P	Porcelain Touch-Up Paint	Bisque
	806436P	Paint	Dark gray
<b>1</b>	36226	Bumper Pad	
<b>2</b>	56079	Panel Locator	
<b>3</b>	39733	Screw	
<b>4</b>	800004WP	Cabinet Panel Kit	White; Left; Includes corner gusset with hardware
	800004QP	Cabinet Panel Kit	Bisque; Left; Includes corner gusset with hardware
	800004DG	Cabinet Side Panel	Dark gray; Left
<b>5</b>	503661	Screw	
<b>6</b>	803790	Rear Panel	Fixed
<b>7</b>	510136	Top Hinge	
<b>8</b>	803789	Rear Panel	Removable
<b>9</b>	803859	Shipping Plug	
<b>10</b>	803851	Shipping Plate	
<b>11</b>	803833	Gravity Drain Bracket	Models BF3JGBJG403UN01, BF3JGBJG403UN06, BF3JGBJG403UW01, BF3JGBJG403UW06, BF3JGBSG403UN01, BF3JGBSG403UN06, BF3JGBSG403UW01, BF3JGBSG403UW06, BF3JLBSG403UN01, BF3JLBSG403UN06, BF3JLBSG403UW01, BF3JLBSG403UW06, BF3JXASG403UN01, BF3JXASG403UN06, JF3JMASG413EN06, JF3JMBSG413EN06, JFNJEASG303EW06, JFNJXASG303EW06, NF3JLBSG403UN01, NF3JLBSG403UT01, NF3JLBSG403UT06, NF3JXASG403UN01, NF3JXASG403UW01, NF3JYASG403UW01, PF3JGBJG403UG06, PF3JGBSG403UG06, PF3JXASG403UG06, PFNJCASG114TG01, PFNJCASG114TN01, PFNJXASG114TG01, PFNJXASG114TN01, PFNJXASG303UG06, PFNJXASG543ZG01, SFNNCASG113TN01, SFNNCASG113TQ01, SFNNCASG113TW01, SFNNXASG113JW01, SFNNXASG113TW01, SFNNYASG113TN01, SFNNYASG113TW01, SFNWCASG113TN01 and SFNXYASG113TN01
	803828	Drain Hose Bracket	All other models
<b>12</b>	800005DG	Cabinet Side Panel	Dark gray; Right
	806492	Side Panel Kit	White; Right
	800005QP	Side Panel Kit	Bisque; Right
<b>13</b>	501855	Rubber Foot	Use to prevent movement on smooth surface floor coverings; Install over 2 existing front rubber feet (item 14)
<b>14</b>	34318	Rubber Foot	
<b>15</b>	155P3	Anchor	Includes 4 rubber discs with adhesive backing
	802844P	Anchor Floor Mount Assembly	Includes 2 rubber discs with adhesive backing
<b>16</b>	34319	Leveling Leg	
<b>17</b>	21899	Nut	
<b>18</b>	803876	Base Assembly	
<b>19</b>	202470	Pressure Sensor	

# Junction Box

Models BF3JGBJG403UN01, BF3JGBJG403UN06, BF3JGBJG403UW01, BF3JGBJG403UW06, BF3JGBJP403UN01, BF3JGBJP403UN06, BF3JGBJP403UW01, BF3JGBJP403UW06, PF3JGBJG403UG06, PF3JGBJP403UG06, SFNNCAJP113TW01, SFNNXAJP113CN01, SFNNXASP303AN01 and SFNNYAJP113TW01



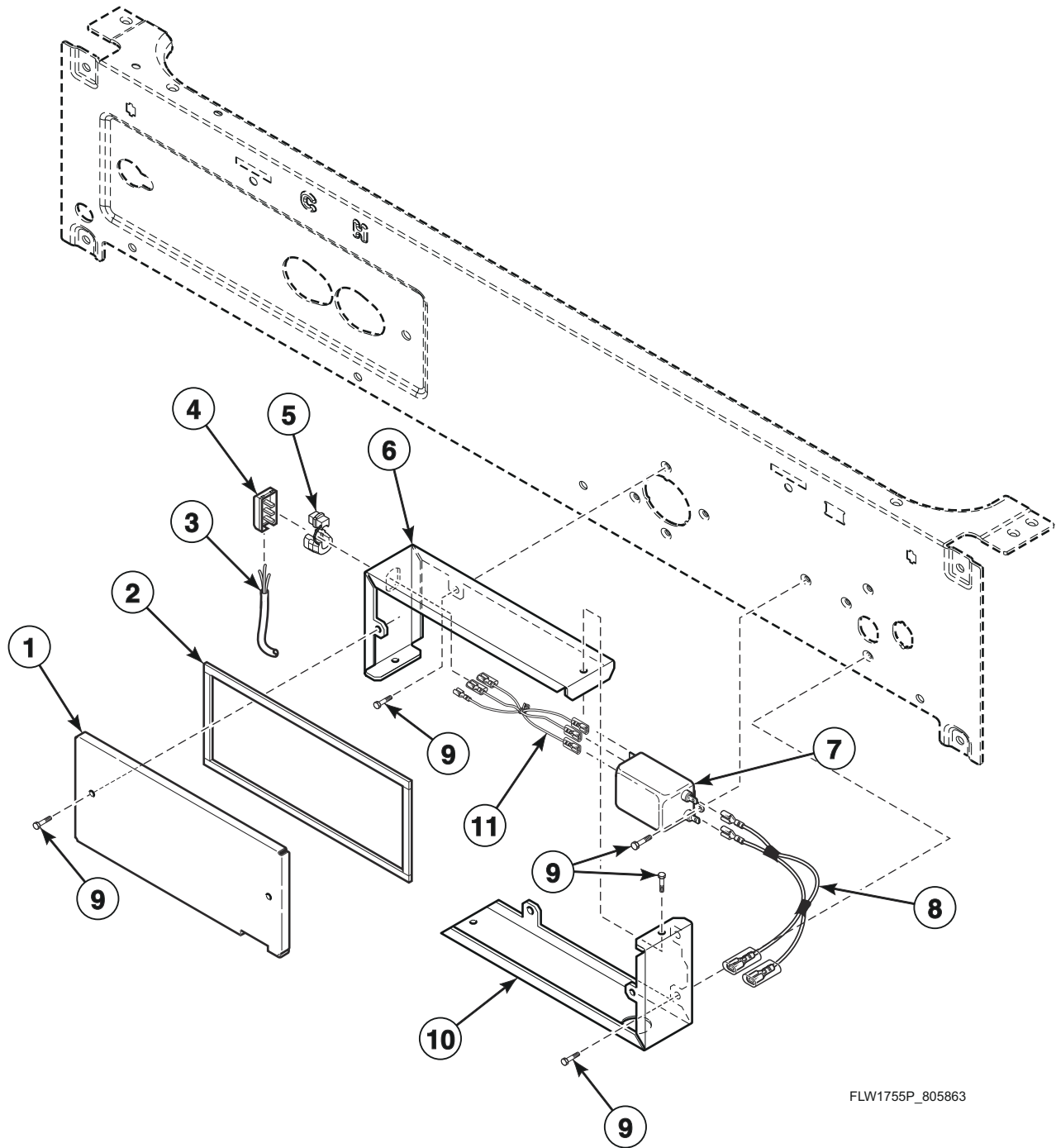
FLW1756P\_805863

# Junction Box

REF	PART NO.	DESCRIPTION	COMMENTS
1	803820	Junction Box Cover	
2	803832	Junction Box Seal	
3	803827	Junction Box	Upper
4	M402542	Snap Bushing	
5	804528	Chemical Injection Control	
6	503661	Screw	
7	804561	Junction Box	Lower
8	M400149	Connector	
9	804799	Supply Injection Wire Harness Assembly	

# Junction Box and Power Cord

Models HFNNXASP123DW01, HFNNXASP543DW01, JFNJEASG303EW06, JFNJEASP303EW06, JFNJXASG303EW06, JFNJXASP303EW06, PFNJXASG303UG06, PFNJXASG543ZG01, PFNJXASP303UG06, PFNJXASP304AG01, PFNJXASP543ZG01, SFNNXASG113JW01, SFNNXASP123DW01, SFNNXASP303AN01, SFNNXASP303AN12, SFNNXASP303AW01, SFNNXASP303AW12, SFNNXASP543DW01 and SFNNXRSP543NW23

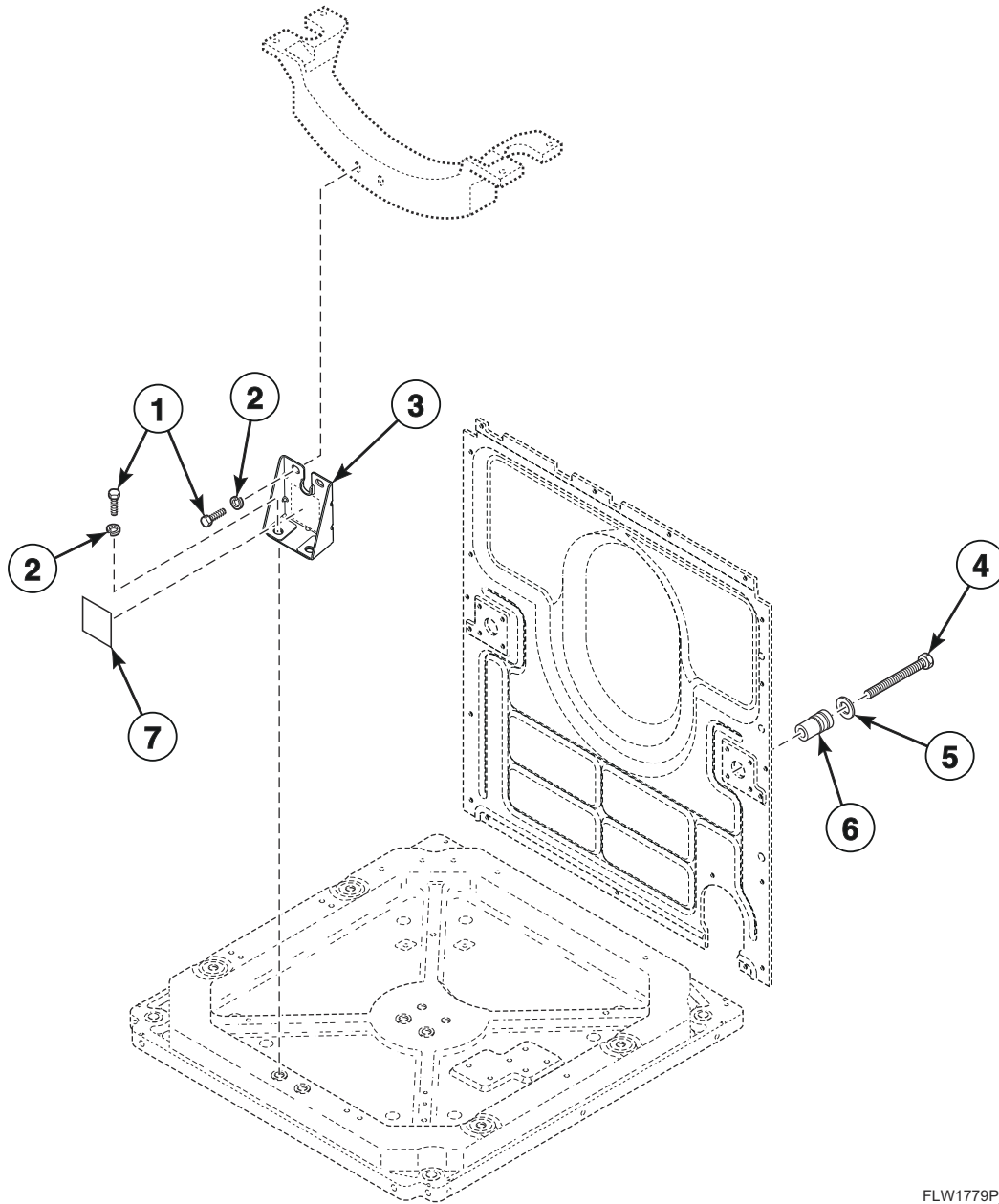


FLW1755P\_805863

## Junction Box and Power Cord

REF	PART NO.	DESCRIPTION	COMMENTS
1	803820	Junction Box Cover	
2	803832	Junction Box Seal	
3	39931	Power Cord Assembly	Models PFNJXASG304AG01, SFNNXASP303AN01, SFNNXASP303AN12, SFNNXASP303AW01 and SFNNXASP303AW12
	801450	Power Cord Assembly	Models PFNJXASG303UG06, PFNJXASG543ZG01, PFNJXASP303UG06, PFNJXASP543ZG01 and SFNNXRSP543NW23
	202624	Power Cord Assembly	Model SFNNXASG113JW01
	804556	Lead-In Cord Assembly	Models HFNNXASP123DW01, HFNNXASP543DW01, SFNNXASP123DW01 and SFNNXASP543DW01
	805762	Power Cord Assembly	Models JFNJEASG303EW06, JFNJEASP303EW06, JFNJXASG303EW06 and JFNJXASP303EW06
4	39922	Cable Connection Box	
5	38384	Strain Relief	
6	804559	Junction Box	Upper; Model SFNNXASG113JW01
	803818	Junction Box	Upper; All other models
7	805633	Line Filter	Model SFNNXRSP543NW23; All other models except JFNJEASG303EW06, JFNEASP303EW06, JFNJXASG303EW06 and JFNJXASP303EW06 starting Serial Nos. beginning 1610
8	804396	Filter Harness	Filter to main harness; Model SFNNXRSP543NW23; All other models except JFNJEASG303EW06, JFNEASP303EW06, JFNJXASG303EW06 and JFNJXASP303EW06 starting Serial Nos. beginning 1610
9	503661	Screw	
10	803819	Junction Box	Lower
11	804805	Filter Jumper Harness	Filter to power cord terminal block; Models JFNJEASG303EW06, JFNEASP303EW06, JFNJXASG303EW06 and JFNJXASP303EW06; All other models except SFNNXRSP543NW23 through Serial Nos. beginning 1610
	801420	Filter Jumper Harness	Filter to power cord terminal block; Model SFNNXRSP543NW23; All other models except JFNJEASG303EW06, JFNEASP303EW06, JFNJXASG303EW06 and JFNJXASP303EW06 starting Serial Nos. beginning 1610

# Shipping Materials

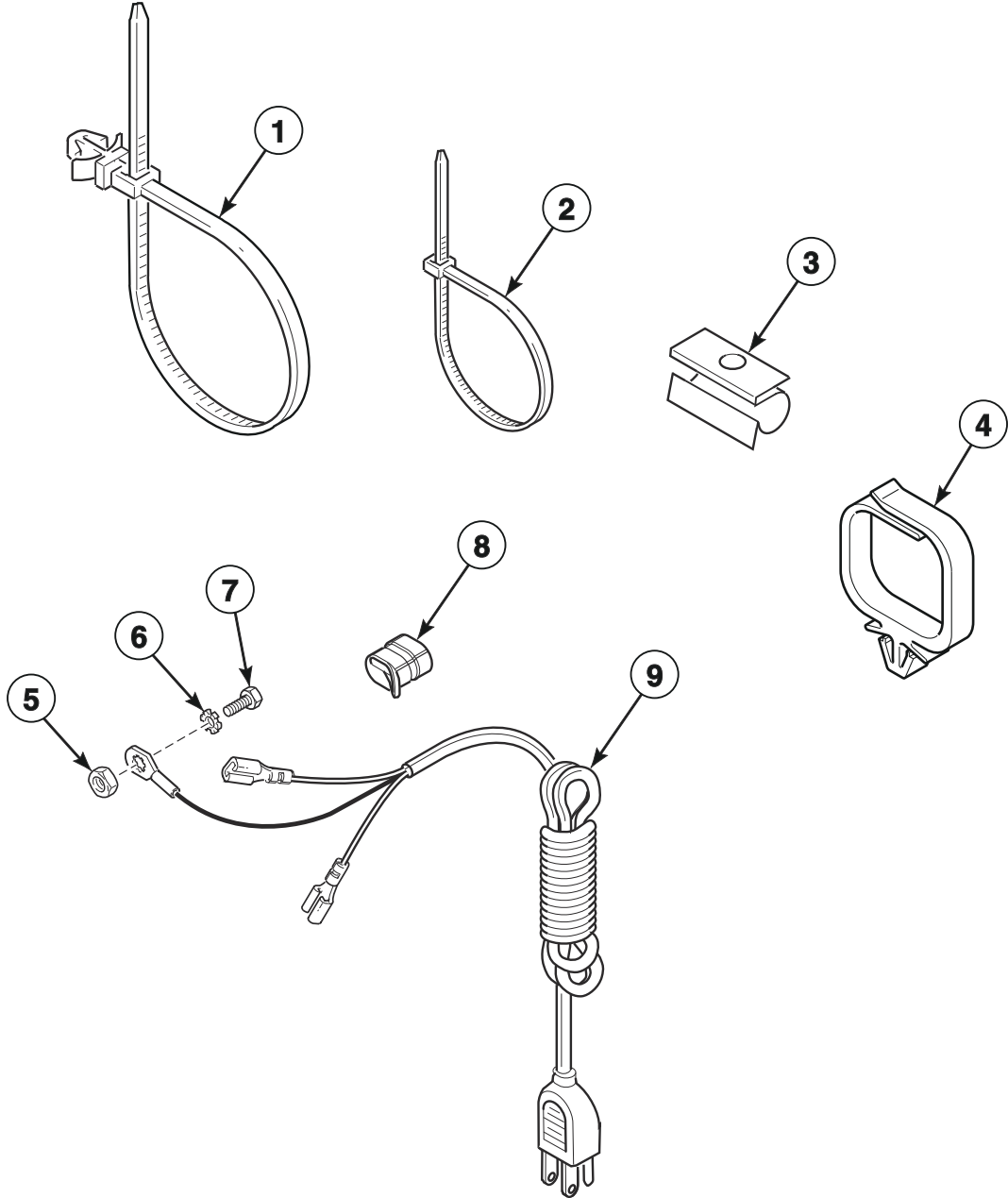


FLW1779P\_805863

# Shipping Materials

REF	PART NO.	DESCRIPTION	COMMENTS
1	M400043	Screw	
2	M400014	Washer	
3	804454	Shipping Brace	
4	800462	Screw	
5	800624	Washer	
6	803858	Shipping Spacer	
7	804488	Label	Shipping brace

# Wire Ties, Harness Clips and Lead-In Cord



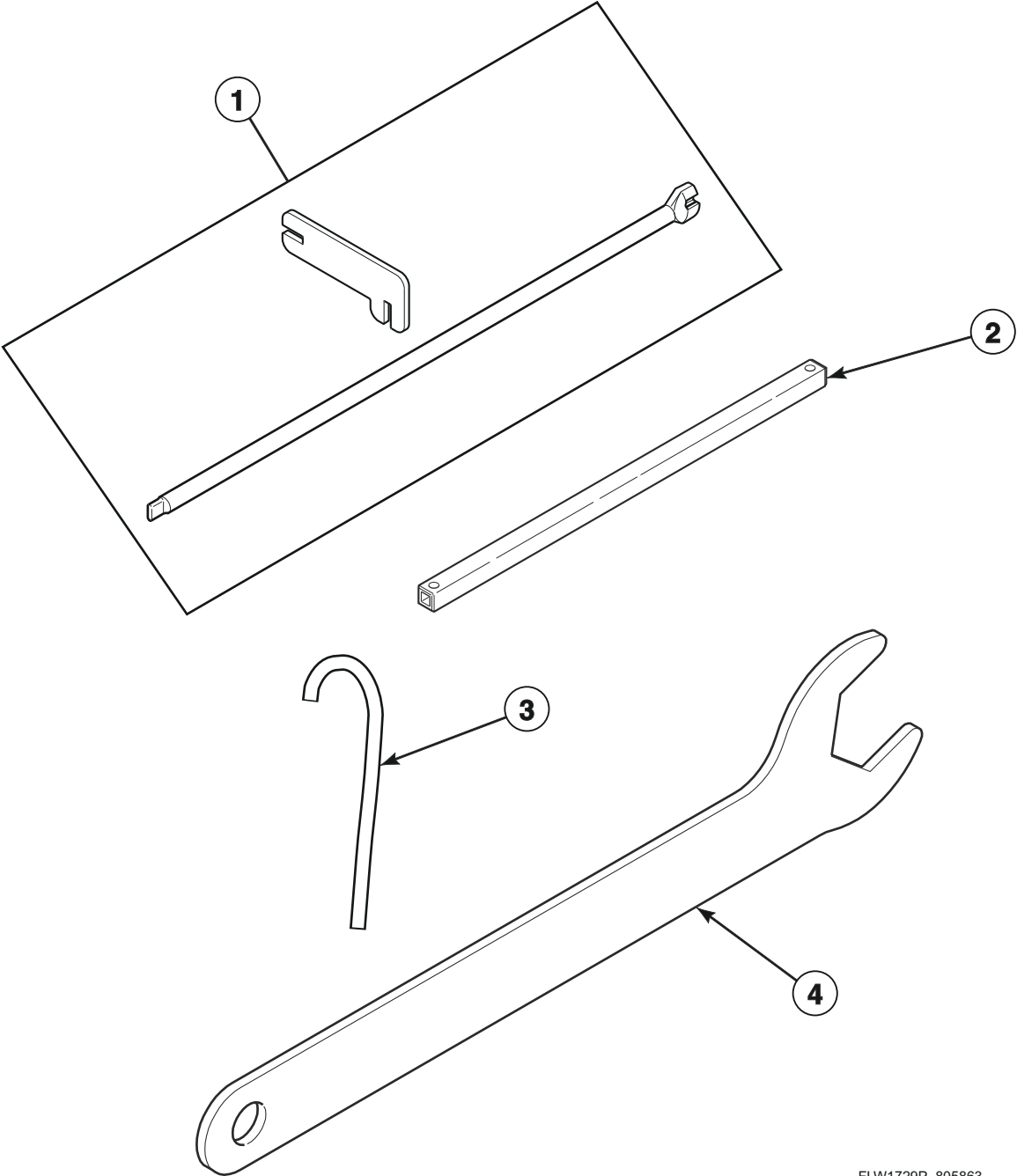
FLW1775P\_805863



## Wire Ties, Harness Clips and Lead-In Cord

REF	PART NO.	DESCRIPTION	COMMENTS
1	M405829	Cable Tie	6.13 inches
2	55881	Harness Strap	
3	36985	Hose Clip	
4	F8449502	Wire Clip	
5	03673	Nut	
6	03815	Washer	
7	20530	Screw	
8	38384	Strain Relief	
9	202777	Lead-In Cord	Models HFNNEASP113CW01, HFNNERSP113CW01, HFNNXASP113CN01, HFNNXASP113CW01, HFNNXRSP113CW01, HFNNYASP113CW01, HFNNYBSP113CW01, HFNNYRSP113CW01, PFNJCASG114TG01, PFNJCASG114TN01, PFNJCASP114TG01, PFNJCASP114TN01, PFNXXASP114TG01, PFNXXASP114TN01, SFNNCAJP113TW01, SFNNCASG113TN01, SFNNCASG113TQ01, SFNNCASG113TW01, SFNNCASP113TN01, SFNNCASP113TQ01, SFNNCASP113TW01, SFNNCRSP113TW01, SFNNCRSP113TW02, SFNNEASP113CW01, SFNNERSP113CW02, SFNNXAJP113CN01, SFNNXASG113TW01, SFNNXASP113CN01, SFNNXASP113CW01, SFNNXASP113TN01, SFNNXASP113TW01, SFNNXRSP113CW02, SFNNXRSP113TW02, SFNNYAJP113TW01, SFNNYASG113TN01, SFNNYASG113TW01, SFNNYASP113CW01, SFNNYASP113TN01, SFNNYASP113TW01, SFNNYBSP113TN01, SFNNYBSP113TW01, SFNNYRSP113TW01, SFNWCASG113TN01, SFNWCASP113TN01, SFNXYASG113TN01, SFNXYASP113TN01, SFNXYASP113TW01 and SFNXYRSP113TW01
805761		Power Cord Assembly	Models BF3JGBJG403UN01, BF3JGBJG403UN06, BF3JGBJG403UW01, BF3JGBJG403UW06, BF3JGBJP403UN01, BF3JGBJP403UN06, BF3JGBJP403UW01, BF3JGBJP403UW06, BF3JGBSG403UN01, BF3JGBSG403UN06, BF3JGBSG403UW01, BF3JGBSG403UW06, BF3JGBSP403UN01, BF3JGBSP403UN06, BF3JGBSP403UW01, BF3JGBSP403UW06, BF3JLBSG403UN01, BF3JLBSG403UN06, BF3JLBSG403UW01, BF3JLBSG403UW06, BF3JLBSP403UN01, BF3JLBSP403UN06, BF3JLBSP403UW01, BF3JLBSP403UW06, BF3JXASG403UN01, BF3JXASG403UN06, BF3JXASP403UN01, BF3JXASP403UN06, BF3JXASP403UW01, BF3JXASP403UW06, JF3JEASP413EW06, JF3JGASP413EW06, JF3JGBSP413EW06, JF3JMASG413EN06, JF3JMBSG413EN06, JF3JXASP413EW06, NF3JGBSP403SW01, NF3JLBSG403UN01, NF3JLBSG403UT01, NF3JLBSG403UT06, NF3JLBSP403NN22, NF3JLBSP403NW22, NF3JLBSP403UN01, NF3JLBSP403UT01, NF3JLBSP403UT06, NF3JLBSP403UW01, NF3JXASG403UN01, NF3JXASG403UW01, NF3JXASP403NW22, NF3JXASP403UN01, NF3JXASP403UW01, NF3JXASP403UW06, NF3JYASG403UW01, PF3JGBJG403UG06, PF3JGBJP403UG06, PF3JGBSG403UG06, PF3JGBSP403UG06, PF3JXASG403UG06, PF3JXASP403UG06, SF3JXASP403EW06 and TF3JXASP403NW22

# Special Tools

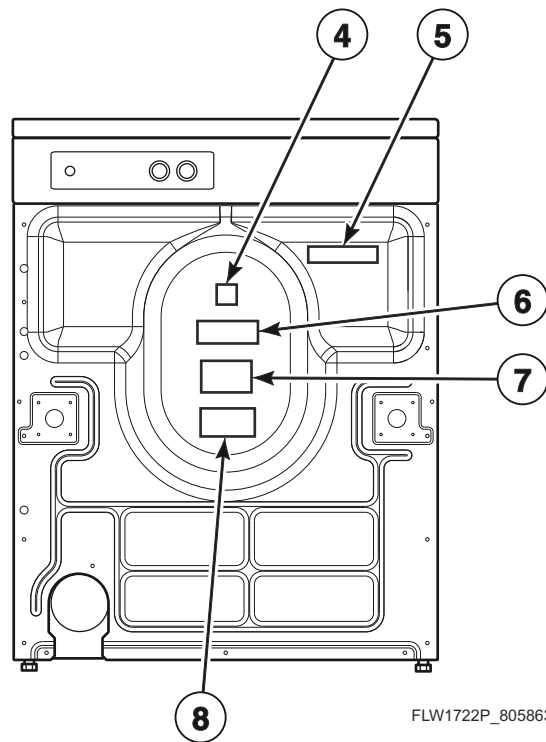
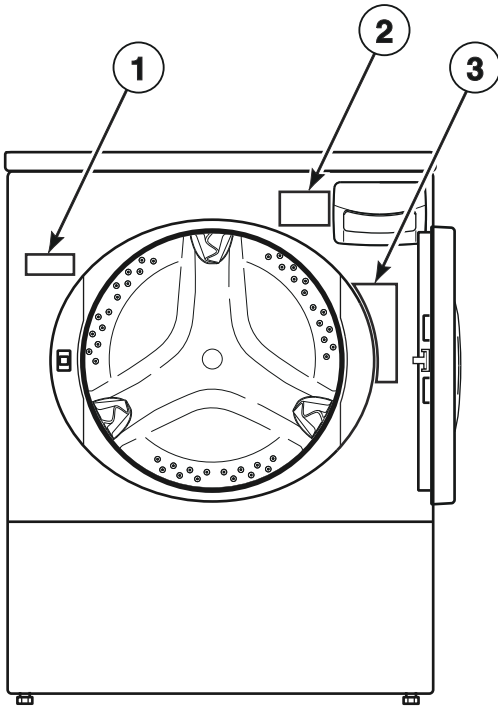


FLW1729P\_805863

## Special Tools

REF	PART NO.	DESCRIPTION	COMMENTS
1	CK096	Mounting Tool Kit	Use to install and remove electronic coin drop kits
2	310P4	Ratchet Extension Tool	1/4 inch; Use to install and remove non-electronic coin drops
3	802336	Pulley Bolt Tightening Fixture	Use to install inner basket
4	392P4	Wrench	Use for leveling leg locknuts

# Washer Labels

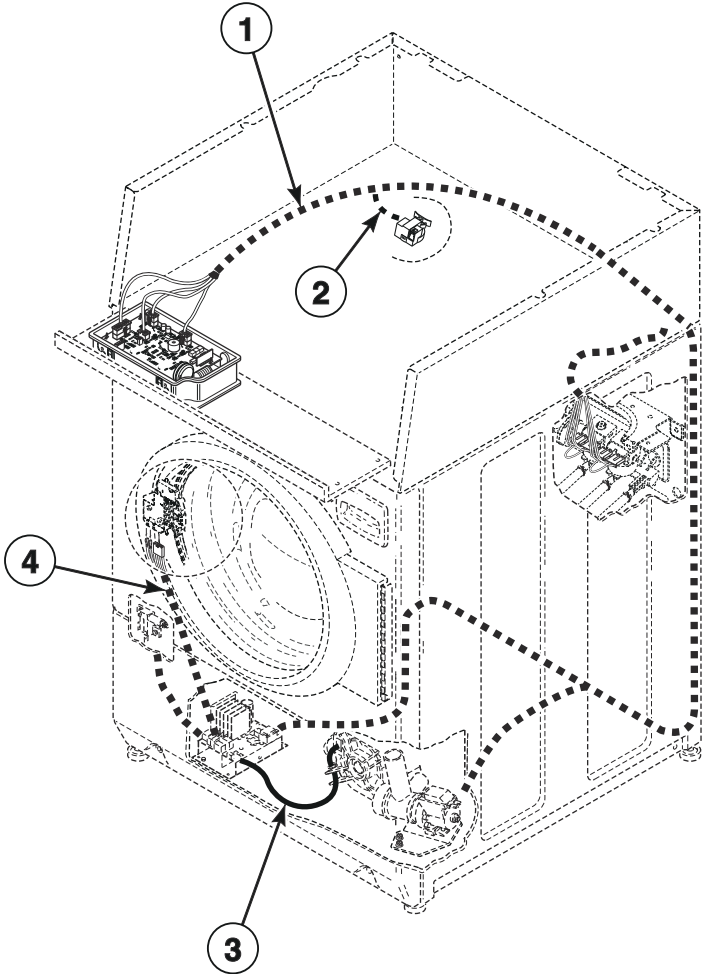


FLW1722P\_805863

# Washer Labels

REF	PART NO.	DESCRIPTION	COMMENTS
1	803011	Notice Label	
2	802074	Oversudsing Label	English
	802838	Oversudsing Label	Spanish
3	802367	Warning Label	Reduce Fire Risk
4	513371	Read Instructions Label	
5	505281	Disconnect Power Warning Label	English
	500316	Warning Label	English/French; Disconnect Power
	801706	Caution Label	Icon; Ground Machine
6	685928	Left Hand Thread Label	Text
	804949	Left Hand Thread Label	Icon
7	803260	Warning Label	Disconnect Power
	F8211201	Electrical Shock Label	Icon
8	500049	Warning Label	English
	500314	Warning Label	English/French
	F8211301	Pinched Fingers Label	Icon; Crush Hazard

# Wire Harnesses and Wires



FLW1780P\_805863

## Wire Harnesses and Wires

REF	PART NO.	DESCRIPTION	COMMENTS
	45001	18 Gauge Wire	Black; Order wire by foot and terminals and connectors as required
1	806030	Rear Control Harness	Models HFNNERSP113CW01, HFNNXRSP113CW01, HFNNYRSP113CW01, SFNNCRSP113TW01, SFNNCRSP113TW02, SFNNERSP113CW02, SFNNXRSP113CW02, SFNNXRSP113TW02, SFNNXRSP543NW23, SFNNYRSP113TW01 and SFNWYRSP113TW01
	806032	Front Control Harness	Models BF3JGBJG403UN01, BF3JGBJG403UN06, BF3JGBJG403UW01, BF3JGBJG403UW06, BF3JGBJP403UN01, BF3JGBJP403UN06, BF3JGBJP403UW01, BF3JGBJP403UW06, BF3JGBSG403UN01, BF3JGBSG403UN06, BF3JGBSG403UW01, BF3JGBSG403UW06, BF3JGBSP403UN01, BF3JGBSP403UN06, BF3JGBSP403UW01, BF3JGBSP403UW06, BF3JLBSG403UN01, BF3JLBSG403UN06, BF3JLBSG403UW01, BF3JLBSG403UW06, BF3JLBSP403UN01, BF3JLBSP403UN06, BF3JLBSP403UW01, BF3JLBSP403UW06, BF3JXASG403UN01, BF3JXASG403UN06, BF3JXASP403UN01, BF3JXASP403UN06, BF3JXASP403UW01, BF3JXASP403UW06, JF3JEASP413EW06, JF3JGASP413EW06, JF3JGBSP413EW06, JF3JMASG413EN06, JF3JMBSG413EN06, JF3JXASP413EW06, NF3JGBSP403SW01, NF3JLBSG403UN01, NF3JLBSG403UT01, NF3JLBSG403UT06, NF3JLBSP403NN22, NF3JLBSP403NW22, NF3JLBSP403UN01, NF3JLBSP403UT01, NF3JLBSP403UT06, NF3JLBSP403UW01, NF3JXASG403UN01, NF3JXASG403UW01, NF3JXASP403NW22, NF3JXASP403UN01, NF3JXASP403UW01, NF3JXASP403UW06, NF3JYASG403UW01, PF3JGBJG403UG06, PF3JGBJP403UG06, PF3JGBSG403UG06, PF3JGBSP403UG06, PF3JXASG403UG06, PF3JXASP403UG06, SF3JXASP403EW06 and TF3JXASP403NW22
	806031	Front Control Harness	All other models
2	804433	Pressure Sensor Harness	
3	806029	Motor Harness	
4	806028	Door Lock Harness Assembly	

**NOTE: Individual wires are not available separately. Order complete harness, or order wire by the foot. When applying terminals to wires, it is recommended that the terminals be soldered to the wires.**





# Parts Index

## A

Access Panel Assembly	
804617DGP .....	37
804617Q .....	37
804617W .....	37
804618 .....	37
Anchor	
155P3 .....	63
Anchor Floor Mount Assembly	
802844P .....	63
Anti-Seize Compound	
27604P .....	53

## B

Backflow Preventer	
800310 .....	59
Balance Ring Assembly	
804393 .....	53
Base Assembly	
803876 .....	63
Bearing Housing Kit	
805525 .....	53
Bearing Kit	
805730 .....	53
Bolt	
02505 .....	29
29651 .....	7, 17, 25
32184 .....	35
Bracket	
201918 .....	35
510146 .....	29, 31
Bumper Pad	
36226 .....	25, 27, 63

## C

Cabinet Panel Kit	
800004QP .....	63
800004WP .....	63
Cabinet Side Panel	
800004DG .....	63
800005DG .....	63
Cabinet Top Kit	
802247QP .....	7
Cable Connection Box	
39922 .....	67
Cable Tie	
M405829 .....	71
Card Insert Overlay	
514391 .....	23
Caution Label	
801706 .....	75
Central Pay Harness	
805427 .....	5, 31, 33
Chemical Injection Control	
804528 .....	65

Chemical Injection Conversion Kit	
805938 .....	43
805939 .....	43
Clamp Ring	
803802 .....	51
Clip	
201572 .....	21
Clothes Guard Deflector	
804467 .....	51
805548 .....	51
Coin Box Extension Kit	
803578P .....	29
Coin Drop	
38963P .....	19
70441601P .....	19, 29
Coin Drop Assembly	
CK114 .....	19
CK123 .....	19
38462P .....	19
38463 .....	19
38464P .....	19
38467 .....	19
38472 .....	19
38519 .....	19
38521 .....	19
70441602 .....	19, 29
70441603 .....	19
70482401 .....	19
Coin Drop Wire Harness	
201104 .....	21
Coin Identification Paper	
38725 .....	19, 21, 29
Compartment Cover	
803669 .....	43
Connector	
M400149 .....	65
801789 .....	17, 27
Contactora	
70482603 .....	9
806428 .....	9
Control Assembly	
804471P .....	5, 25, 31, 33
804472P .....	5, 25
806041P .....	5, 25
Control Bracket	
804612 .....	25
Control Hood	
502567W .....	33
511253W .....	31
Control Overlay	
805371 .....	33
805372 .....	31
805375 .....	27
805376 .....	27
805378 .....	27
805379 .....	27
805675 .....	27
805768 .....	27
806042 .....	27
Control Panel	
803962BP .....	17
803962DG .....	17
803962WP .....	17

N/A items do not appear in index.

803970B.....	23
Control Panel and Bracket Assembly 800149W.....	33
Control Panel and Stud Assembly 800710W.....	31
805512W.....	31
Control Panel Assembly 804070B.....	5
804070DG.....	5
804070Q.....	5
804070W.....	5
804962.....	27
804963.....	27
805008.....	27
Control Shield 804363.....	5, 25
Control Wrapper 804627W.....	25
804628B.....	25
804628DG.....	25
804628W.....	25
804629B.....	27
804629DG.....	27
804629W.....	27
804630B.....	27
804630DG.....	27
804630W.....	27
Conversion Kit 805832.....	9
Counterweight 803810.....	51

## D

Detergent Hose 804717.....	43
Diagnostic Wire Harness Assembly 202869.....	27
Disconnect Power Warning Label 505281.....	29, 31, 33, 75
Dispenser Assembly 803698.....	43
Dispenser Drawer 803667.....	43
Dispenser Handle 804227B.....	43
804227WP.....	43
804228.....	43
804415B.....	43
804415W.....	43
804526.....	43
Dispenser Inlet Hose 803849.....	43, 45
Dispenser Plate 803843.....	43
Door Assembly 804083QP.....	37
804083WP.....	37
804210.....	37
805550.....	37
Door Catch Assembly 802803.....	37
Door Glass 802695P.....	37

Door Glass Mounting Plate 804239.....	37
Door Hinge 802934.....	37
Door Latch Assembly 803920.....	37
Door Lock Drip Shield 804784.....	41
Door Lock Harness Assembly 806028.....	77
Door Seal 804428P.....	37
Door Seal Assembly 804429P.....	37
Drain Base Bracket 803814.....	59
Drain Hose 27154.....	59
Drain Hose Bracket 803828.....	63
Drain Hose Elbow 35766.....	59
Drain Pump Assembly 803921P.....	59
803922.....	59
805722P.....	59
805724P.....	59
Drain Pump Drip Shield 805561.....	61
Drain Pump Isolator 803815.....	59
Drain Valve 803293.....	57
Drain Valve Kit F975P3.....	57
F976P3.....	57
Drain-to-Cabinet Hose 800903.....	57
Drive Belt 804985.....	55
Dual Coin Harness Assembly 202871.....	19, 29

## E

Electrical Shock Label F8211201.....	75
Electronic Coin Drop Assembly 70294104.....	21
70294105P.....	21
70294106.....	21
70294107.....	21
70294109.....	21
70294110.....	21
70294111.....	21
70294120.....	21
70294121.....	21
70294122.....	21
70294123.....	21
Electronic Coin Drop Kit CK099.....	21
CK100.....	21
CK101.....	21
CK103.....	21

N/A items do not appear in index.

CK106 .....	21
CK108 .....	21
CK109 .....	21
CK110 .....	21
CK113 .....	21
CK115 .....	21
CK120 .....	21
CK121 .....	21
End Cap	
210108W .....	31
210109W .....	31
End Shield	
806258 .....	55
Ethernet Gateway Kit	
NK320 .....	5, 31, 33
Expansion Clip	
70030501 .....	17, 23, 27
Extension Spring	
802285 .....	37

## F

Fill Hose	
202799 .....	47
202800 .....	47
202931 .....	47
20617 .....	47
20618 .....	47
Filter	
805634 .....	9
Filter Harness	
804396 .....	67
804797 .....	9, 11, 13
Filter Jumper Harness	
801420 .....	67
804805 .....	67
Fitting	
801792P .....	9, 11, 13
Foam Pad	
804875 .....	43
Foreign Object Deflector	
806308 .....	51
806313 .....	51
806361 .....	51
Front Control Harness	
806031 .....	77
806032 .....	77
Front Panel	
802277QP .....	37
802277WP .....	37
802288P .....	37
Front Panel Assembly Kit	
806505W .....	39
806560 .....	39

## G

Gasket	
802427 .....	59
Glass Mounting Clip	
802700 .....	37
Gravity Drain Bracket	
803291 .....	57

803833 .....	63
Gravity Drain Valve	
803292 .....	57
Grommet	
29175 .....	51

## H

Harness	
804832 .....	31, 33
Harness Assembly	
802905 .....	21
Harness Strap	
55881 .....	71
Heat Contactor Harness	
805544 .....	9
806431 .....	9
Heater Contactor Drip Shield	
805356 .....	9
Heating Element	
804777P .....	51
804778P .....	51
Hinge	
511036 .....	7
Hinge Plate	
802206 .....	37
Hood Back Panel	
804223 .....	33
Hose and Washers Kit	
203675 .....	49
203676 .....	49
Hose Clamp	
F200204 .....	59
F200206 .....	43
20211 .....	59
20391 .....	59
685725 .....	43, 57
802281 .....	37
803891 .....	51
804173 .....	43, 45
Hose Clip	
36985 .....	51, 71
800553 .....	51

## I

Inner Basket Assembly	
804374P .....	53
805485 .....	53
Inner Basket Assembly Kit	
804376P .....	53
Inner Door Bezel	
804562 .....	37
Inner Door Bezel Kit	
802307P .....	37
802331P .....	37
Inverter Control Assembly	
803949P .....	55

N/A items do not appear in index.

---

**J**

Junction Box	
803818 .....	67
803819 .....	67
803827 .....	65
804559 .....	67
804561 .....	65
Junction Box Cover	
803820 .....	65, 67
Junction Box Seal	
803832 .....	65, 67

---

**K**

Key	
54612 .....	5

---

**L**

Label	
804488 .....	69
804969 .....	5
805914 .....	5
Lead-In Cord	
202777 .....	71
Lead-In Cord Assembly	
804556 .....	67
Left Hand Thread Label	
685928 .....	75
804949 .....	75
Leveling Leg	
34319 .....	63
Lid Assembly	
802426P .....	59
Lifter	
804382 .....	53
Line Filter	
805633 .....	9, 11, 13, 67
Lock Assembly	
804339P .....	5
Lock Cam	
804338 .....	5

---

**M**

Machine ID Control Assembly	
203361P .....	5, 25, 31, 33
Meter Case Assembly	
38724W .....	29
802505W .....	29
804009B .....	17
804009DG .....	17
804009W .....	17
Meter Case Assembly Kit	
803063WP .....	29
Meter Case Bracket Gasket	
35526 .....	29
Meter Case Gasket	
26354 .....	29

---

N/A items do not appear in index.

Meter Case Lockdown Bracket	
35525 .....	29
Meter Case Locking Bracket	
30642 .....	29
Mixing Valve	
803809 .....	45
803838P .....	45
Mixing Valve Screen	
24122 .....	45
Mixing Valve Shield	
804783 .....	45
Motor and Rod Assembly Kit	
805726P .....	55
Motor Control Shield	
804878 .....	55
806498 .....	55
Motor Harness	
806029 .....	77
Motor Rod	
803861 .....	55
Mounting Tool Kit	
CK096 .....	73

---

**N**

Nameplate Overlay	
514681 .....	17
Network Controller Kit	
NK220 .....	5, 31, 33
Network Retrofit Kit	
203328 .....	5, 31, 33
Network Varistor Assembly	
804651 .....	9, 13
Network Wire Harness Assembly	
44088501P .....	15
Notice Label	
803011 .....	75
Nut	
F430218 .....	51
03673 .....	71
201216 .....	21
21899 .....	63
23951 .....	35, 37
27222 .....	29
29786 .....	19, 21, 29, 57
29787 .....	9, 11, 13
30647 .....	29, 35
36020 .....	7, 37
44087101 .....	33
44087201 .....	7, 17
685846 .....	37
800452 .....	51, 53
802292 .....	43
802337 .....	29
802343 .....	51
804418 .....	53

---

**O**

Operating Instruction Label	
804327 .....	17, 23
804846 .....	17
806194 .....	17

---

Operating Instructions Label	
805829 .....	17
Opto Coupler	
200674P .....	19, 29
O-Ring	
F170208 .....	43
802429P .....	59
Outer Door Bezel	
803710BP .....	37
803710QP .....	37
803710WP .....	37
803711P .....	37
Outer Tub Assembly	
803864 .....	51
803865 .....	51
Out-of-Balance Switch Assembly	
803415 .....	51
Out-of-Balance Switch Bracket	
804457 .....	51
Overlay	
201091 .....	17, 21, 29
514873 .....	23
514874 .....	23
804849 .....	5
804850 .....	33
804851 .....	5
805370 .....	31
805373 .....	5
805374 .....	5
805377 .....	5
805766 .....	5
806015 .....	5
806016 .....	5
806017 .....	23
806173 .....	5
Oversudsing Label	
802074 .....	75
802838 .....	75

## **P**

Paint	
806436P .....	63
Panel Locator	
56079 .....	37, 63
Pinched Fingers Label	
F8211301 .....	75
Pop Rivet	
685847 .....	7, 51
70058501 .....	29, 31
Porcelain Touch-Up Paint	
122P4P .....	63
370P4P .....	63
Power Cord Assembly	
202624 .....	67
39931 .....	67
801450 .....	67
805761 .....	71
805762 .....	67
Pressure Bulb	
803837 .....	51
Pressure Sensor	
202470 .....	63

Pressure Sensor Harness	
804433 .....	77
Pressure Sensor Tube Assembly	
804483 .....	51
Pulley Assembly	
803974 .....	53
Pulley Bolt Tightening Fixture	
802336 .....	73
Pump Housing	
802428 .....	59
Pump Housing Assembly	
802434P .....	59
Pump-to-Elbow Hose	
803734 .....	59
Pump-to-Gravity Drain Kit	
805770 .....	59
805771 .....	59

## **R**

Ratchet Extension Tool	
310P4 .....	73
Read Instructions Label	
513371 .....	75
Rear Access Panel	
803998 .....	17, 23
804614 .....	27
Rear Control Harness	
806030 .....	77
Rear Control Operating Instruction Label	
805830 .....	29
Rear Panel	
511254 .....	31
803789 .....	63
803790 .....	63
Rear Wrapper Brace	
805345 .....	25
Rubber Foot	
34318 .....	63
501855 .....	63

## **S**

Screw	
M400043 .....	53, 69
M400057 .....	55
02916 .....	33, 57
20530 .....	29, 31, 71
23008 .....	7
36048 .....	29
39733 .....	25, 37, 63
501086 .....	31, 33
501524 .....	31, 33, 55
503661 .....	9, 11, 13, 15, 29, 31, 33, 37, 55, 57, 59, 61, 63, 65, 67
503673 .....	29
503688 .....	5, 23, 25, 27, 35
52864 .....	31, 33
52909 .....	59
685831 .....	53
70240301 .....	17, 23
800461 .....	51
800462 .....	51, 69

N/A items do not appear in index.

800548	37, 43, 53
801001	43
801019	37
801045	37
801993	37
802431	59
802596	51
803527P	27
804399	53
804647	5
804699	53
806086	37
Sealant	
27615P	57, 59
Security Cabinet Assembly	
804149B	23
804149WP	23
Security Kit	
905P3	35
Service Door Assembly	
39874WP	29
Shipping Brace	
804454	69
Shipping Plate	
803851	63
Shipping Plug	
803859	63
Shipping Spacer	
803858	69
Shock Assembly	
803777	51
Side Panel Kit	
800005QP	63
806492	63
Single Coin Harness Assembly	
202870	19, 29
Single Drop Overlay	
803476	17
Single Overlay	
38717	17, 19, 29
Snap Bushing	
M400770	9
M402542	9, 11, 13, 65
503235	57
Standpipe Strap	
33489	59
Strain Relief	
38384	67, 71
Supply Injection Wire Harness Assembly	
804799	65
Switch	
512973	5, 17, 29

## T

Terminal Block Assembly	
505876	9, 13
803988	9, 11, 13
Terminal Block Drip Shield	
805344	9, 11, 13
Terminal Block Harness	
804716	13
804737	9

Terminal Block Panel	
804609	9
Top Hinge	
510136	63
Top Kit	
511527WP	29
Top Mounting Bracket	
504228	7
Top Panel	
803868Q	7
803868WP	7
803869	7
804023DG	7
804684	25
804685DG	25
804685WP	25
Top Panel Brace Assembly	
804613	27
Top Panel Guide	
803761	25
Top Panel Kit	
511530WP	31
Transformer	
201375P	21
202757	5, 31, 33
202758	5, 33
Transformer Harness	
804795	5
805428	5
Transformer Kit	
203423	5, 31, 33
203424	5, 33
Trunnion Shaft Kit	
804405P	53
Tub Front	
803770	51
Tub Front Assembly	
803879	51
Tub Front Seal	
803801	51
Tubing	
801635	43
Tub-to-Drain Hose	
803873	57
Tub-to-Gravity Drain Hose	
803874	57
Tub-to-Pump Hose	
803816	59
803829	59

## U

Union	
801788	17, 27
USB Gateway Kit	
NK330	5, 31, 33
USB IR Interface Kit	
203346	5, 31, 33

N/A items do not appear in index.

---

## W

Warning Label	
500049 .....	51, 75
500314 .....	75
500316 .....	29, 31, 33, 75
802367 .....	75
803260 .....	75
Washer	
M400014 .....	69
M400017 .....	33, 57
M400080 .....	55
M400081 .....	51
M403958 .....	53
02834 .....	55
03815 .....	71
200608 .....	31, 33
20290 .....	47, 49
25100 .....	35
800457 .....	53
800464 .....	53
800624 .....	69
802254 .....	47, 49
803615 .....	47, 49
804458 .....	51
Water Hose	
F200116 .....	49
Wire Clamp Ring	
802283 .....	37
Wire Clip	
F8449502 .....	71
Wire Guard	
201595P .....	19, 29
Wireless Network Kit	
203327 .....	5, 31, 33
Wireless Transceiver Assembly	
202335 .....	15
Wire, 18 Gauge	
45001 .....	77
Wiring Harness Assembly	
202868 .....	5
202869 .....	31
Wrapper Assembly	
804103B .....	17
804104B .....	17
804104DG .....	17
804104W .....	17
804108B .....	17, 23
804108DG .....	17
804108W .....	17, 23
804112B .....	23
804112W .....	23
Wrench	
392P4 .....	73

---

