

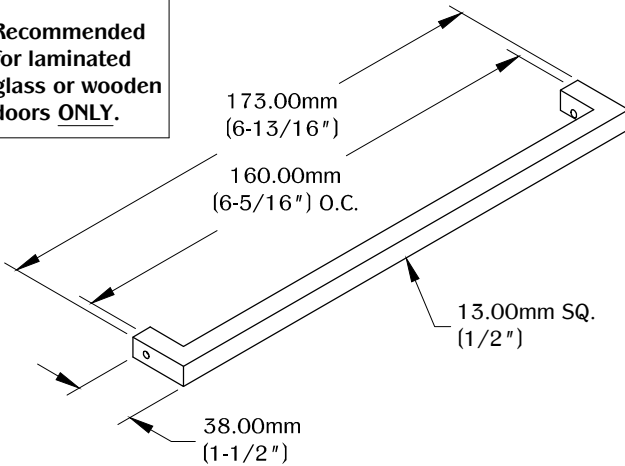
PART #

DH7A/BB

310.318.2491 • 800.523.1269 • www.mockett.com

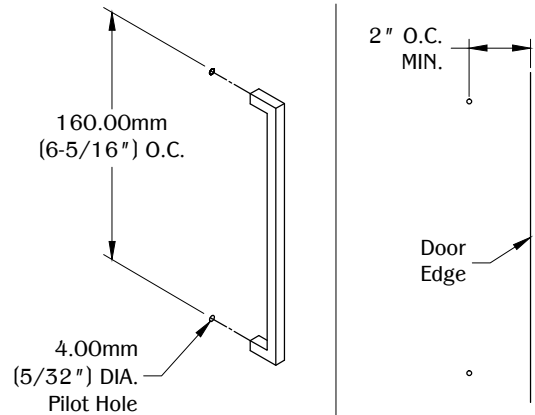
Note:

Recommended for laminated glass or wooden doors ONLY.



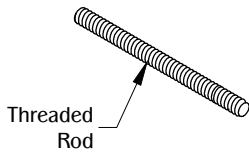
Door Thickness: 9.50mm (3/8") MIN. to 31.00mm (1-1/4") MAX.
**with provided hardware.

1



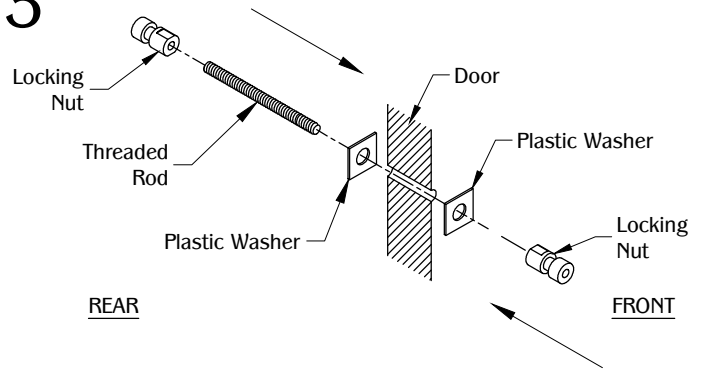
Determine the position and location for mounting on your surface. Drill your 4mm (5/32") diameter holes at 160mm (6-5/16") apart. (Note: For laminated glass door, 2" MIN. distance from the edge of the door is required.)

2



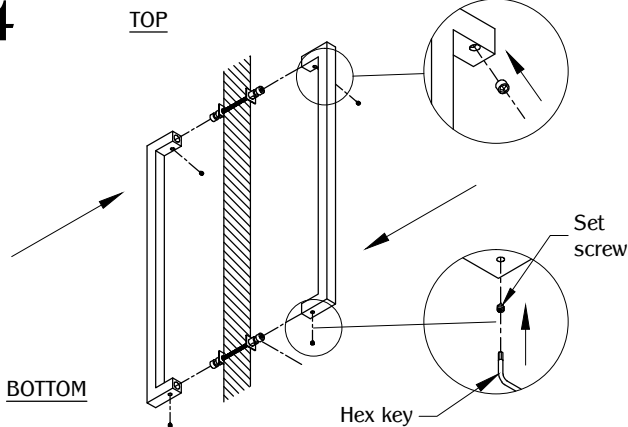
Prepare to cut the threaded rod to length by measuring your door thickness and adding 36mm (1-13/32"). Cut the rod to that exact size.
** (Note: Use a longer 4mm-70 thread rod if the door thickness exceeds 1-1/4" not included.)

3



Assemble the base with (1) locking nut, (1) threaded rod, and (1) plastic washer at the back of the work surface. Align the assembly through the predrilled hole. Repeat the same assembly order from the front side. (Note: Make sure to hand tighten both sides of the assembly.)

4



Align the door handle with the assembled base. Make sure the handle is leveled on the work surface. Use the set screw and hand-tighten the handle on both sides.

TABLE OF CONTENTS:

 2 X DH7A/BB
 2 X M4-.7 Threaded rod 65.00mm
 4 X Locking nut
 8 X Plastic washer
 2 X Hex key
 4 X M5-.8 Set screw
FOR SINGLE - SIDE USE ONLY	
 4 X M4-.7 Machine screw
 4 X No. 6 Wood screw