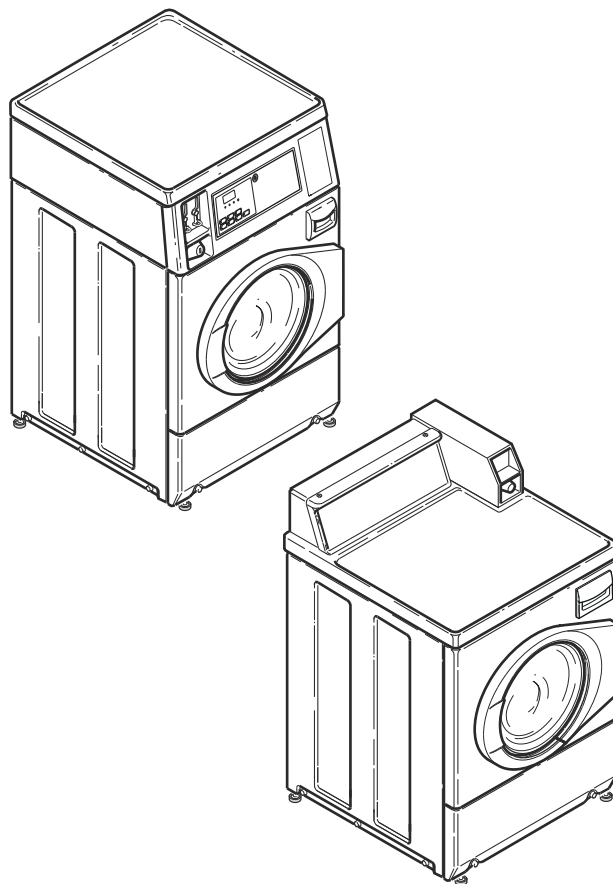


Commercial Frontload Washers

Refer to Page 3 for Model Numbers



FLW1550C_805863

Table of Contents

Title	Page
Parts Ordering Information.....	2
Serial Plate Location	2
Model Identification	3
Control Panel and Controls	4
Top Assembly	6
Electrical Access Panel, Filters and Terminal Block	8
Network Board Assembly.....	10
Control Cabinet Controls - Front Control Coin Drop Models.....	12
Non-Electronic Coin Drop, Cabinet Front and Wrapper Assembly	14
Electronic Coin Drop	16
Control Cabinet Controls - Front Control Card Reader Ready Models.....	18
Control Cabinet - 45 Degree Front Control Models (Drawing 1 of 2).....	20
Control Cabinet - 45 Degree Front Control Models (Drawing 2 of 2).....	22
Coin Drop, Meter Case and Cabinet Top.....	24
Control Panel, Control Hood and Controls (Drawing 1 of 2).....	26
Control Panel, Control Hood and Controls (Drawing 2 of 2).....	28
Control Hood Security Kit.....	30
Front Panel, Door Assembly and Door Seal	32
Dispenser Assembly	34
Mixing Valve and Dispenser Hose	36
Fill Hose	38
Outer Tub, Clamp Ring and Shock Absorbers.....	40
Inner Basket, Trunnion, Bearing Housing and Pulley	42
Motor and Belt.....	44
Drain Hoses and Valve	46
Drain Hose and Pump.....	48
Side, Base and Rear Panels.....	50
Junction Box	52
Junction Box and Power Cord	54
Shipping Materials	56
Wire Ties, Harness Clips and Lead-In Cord.....	58
Special Tools	60
Washer Labels	62
Wire Harnesses and Wires	64
Parts Index.....	67

© Copyright 2015, Alliance Laundry Systems LLC

All rights reserved. No part of the contents of this book may be reproduced or transmitted in any form or by any means without the expressed written consent of the publisher.

Parts Ordering Information

If literature or replacement parts are required, contact the source from whom the machine was purchased or contact Alliance Laundry Systems at (920) 748-3950 for the name and address of the nearest authorized parts distributor.

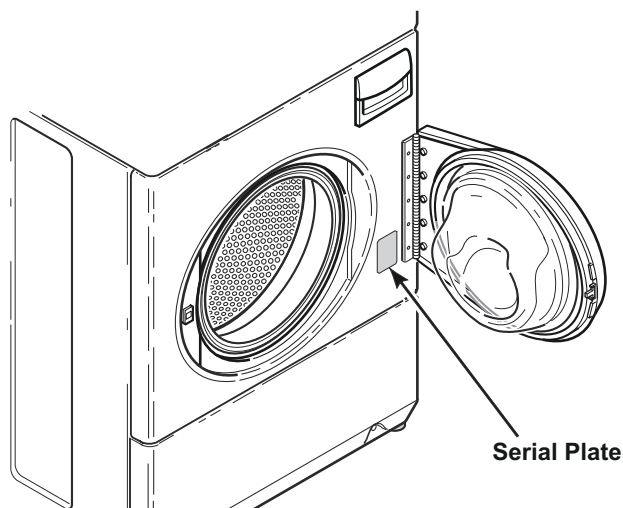
For technical assistance, call either of the numbers listed below:

(920) 748-3121 Ripon, Wisconsin

+32 56 41 20 54 Wevelgem, Belgium

Serial Plate Location

When calling or writing about your product, be sure to mention model and serial numbers. Model and serial numbers are located on serial plate(s) as shown.



FLW2407N_805863

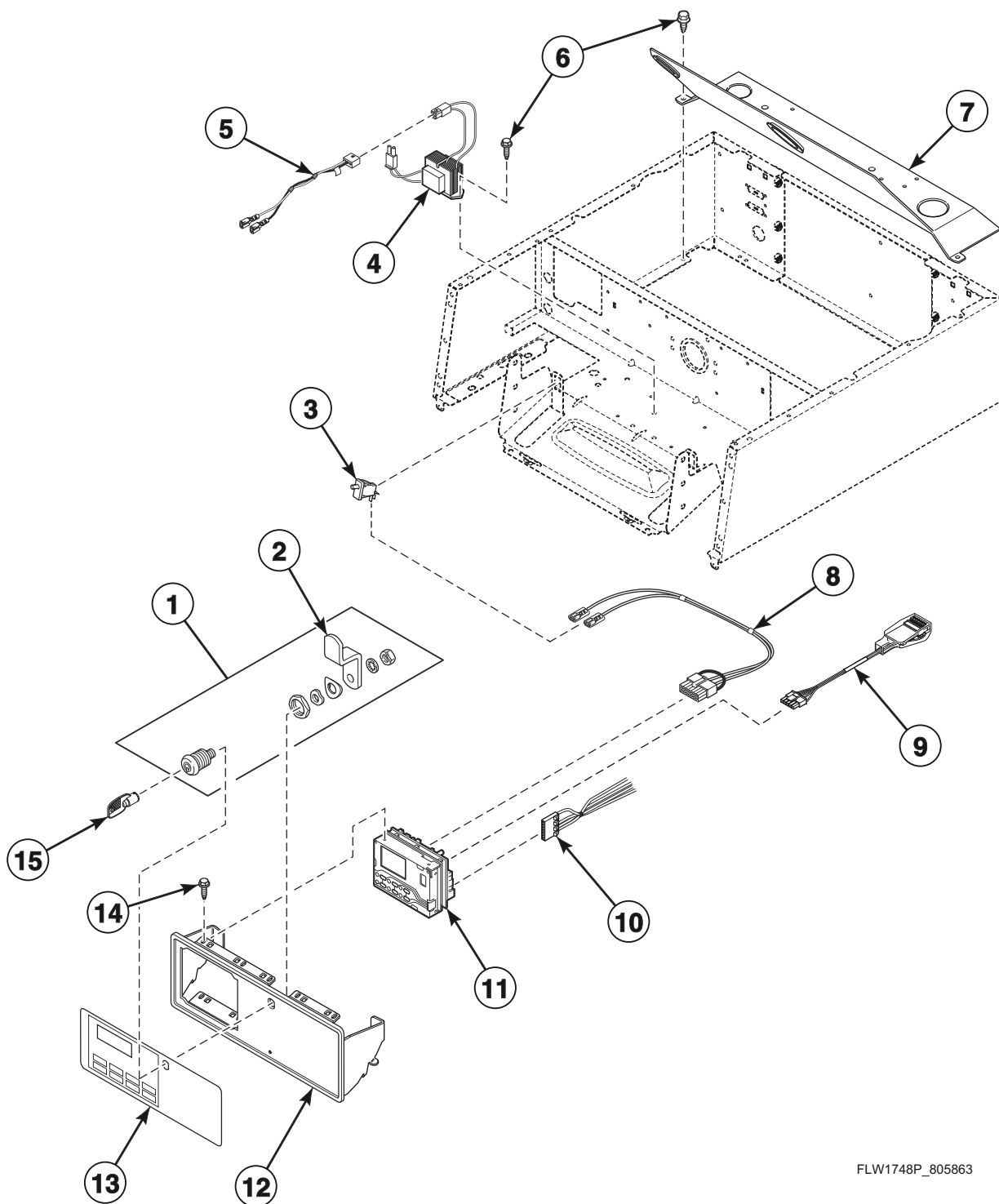
Model Identification

Information in this manual is applicable to these washer models:

BF3JGBSG403UN01	NF3JGBSP403SW01	SFNNCAJP113TW01
BF3JGBSG403UW01	NF3JLBSG403UN01	SFNNCASG113TN01
BF3JGBSP403UN01	NF3JLBSG403UT01	SFNNCASG113TQ01
BF3JGBSP403UW01	NF3JLBSG403UT06	SFNNCASG113TW01
BF3JLBSG403UN01	NF3JLBSP403NN22	SFNNCASP113TN01
BF3JLBSG403UW01	NF3JLBSP403NW22	SFNNCASP113TQ01
BF3JLBSP403UN01	NF3JLBSP403UN01	SFNNCASP113TW01
BF3JLBSP403UW01	NF3JLBSP403UT01	SFNNCRSP113TW01
BF3JXASG403UN01	NF3JLBSP403UT06	SFNNCRSP113TW02
BF3JXASP403UN01	NF3JLBSP403UW01	SFNNXASG113JW01
BF3JXASP403UW01	NF3JXASG403UN01	SFNNXASG113TW01
HFNNEASP113CW01	NF3JXASG403UW01	SFNNXASP113TN01
HFNNERSP113CW01	NF3JXASP403NW22	SFNNXASP113TW01
HFNNXASP113CN01	NF3JXASP403UN01	SFNNXASP123DW01
HFNNXASP113CW01	NF3JXASP403UW01	SFNNXASP303AN01
HFNNXASP123DW01	NF3JXASP403UW06	SFNNXASP303AN12
HFNNXASP543DW01	NF3JYASG403UW01	SFNNXASP303AW01
HFNNXRSP113CW01	PF3JGBJG403UG06	SFNNXASP303AW12
HFNNYASP113CW01	PF3JGBJP403UG06	SFNNXASP543DW01
HFNNYRSP113CW01	PF3JGBSG403UG06	SFNNXRSP113TW02
JF3JEASP413EW06	PF3JGBSP403UG06	SFNNXRSP543NW23
JF3JGBSP413EW06	PF3JXASG403UG06	SFNNYAJP113TW01
JF3JMBSG413EN06	PF3JXASP403UG06	SFNNYASG113TN01
JFNJEASG303EW06	PFNJXASG303UG06	SFNNYASG113TW01
JFNJEASP303EW06	PFNJXASG543ZG01	SFNNYASP113TN01
	PFNJXASP303UG06	SFNNYASP113TW01
	PFNJXASP543ZG01	SFNNYBSP113TN01
		SFNNYBSP113TW01
		SFNNYRSP113TW01
		SFNWCASG113TN01
		SFNWCASP113TN01
		SFNWYASG113TN01
		SFNWYASP113TN01
		SFNWYASP113TW01
		SFNWYRSP113TW01
		TF3JXASP403NW22

Control Panel and Controls

10 Degree Front Control Models



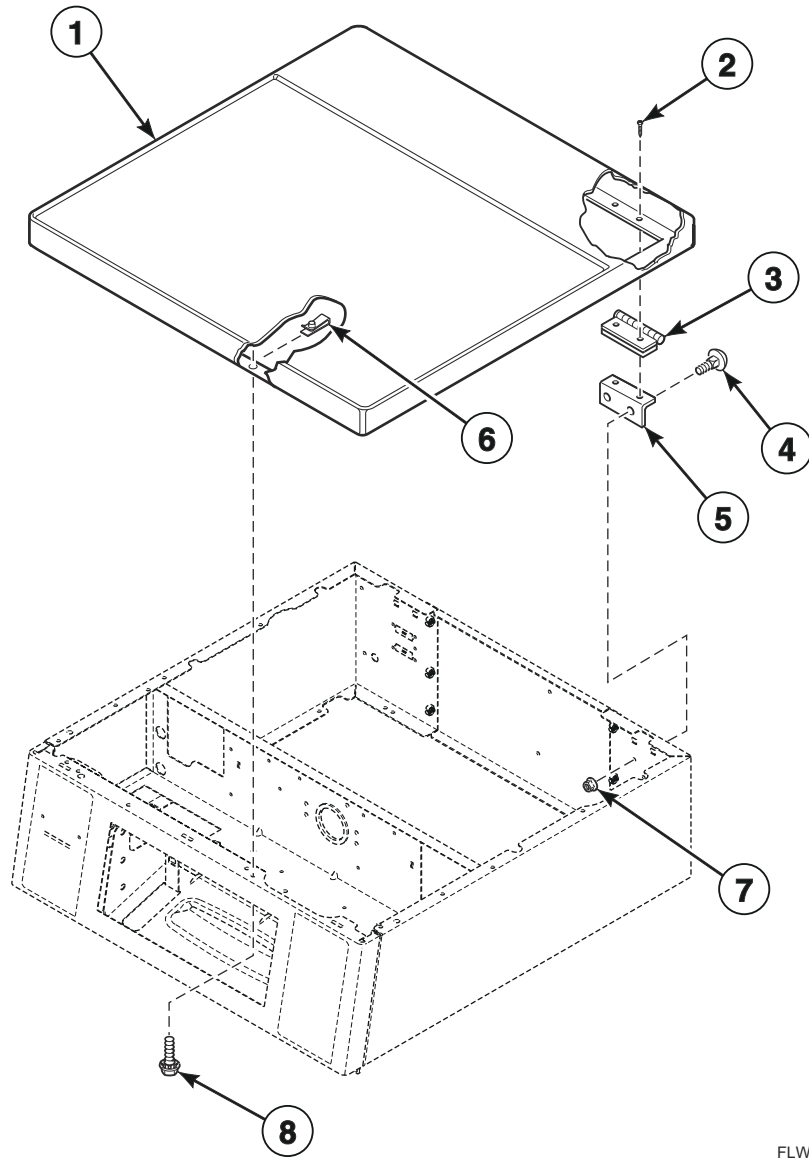
FLW1748P_805863

Control Panel and Controls

REF	PART NO.	DESCRIPTION	COMMENTS
	203328	Network Retrofit Kit	Wired
	NK220	Network Controller Kit	Wired
	203327	Wireless Network Kit	
	NK320	Ethernet Gateway Kit	Wireless
	203346	USB IR Interface Kit	
	NK330	USB Gateway Kit	Wireless
1	804339P	Lock Assembly	
2	804338	Lock Cam	
3	512973	Switch	
4	202757	Transformer	120 Volt
	202758	Transformer	240 Volt
5	804795	Transformer Harness	
6	503688	Screw	
7	804363	Control Shield	
8	202868	Wiring Harness Assembly	Diagnostic
9	203361P	Machine ID Control Assembly	
10	805427	Central Pay Harness	
11	804472P	Control Assembly	Red LEDs; Models BF3JXASG403UN01, BF3JXASP403UN01 and BF3JXASP403UW01
	804471P	Control Assembly	Green LEDs; All other models
12	804070Q	Control Panel Assembly	Bisque
	804070W	Control Panel Assembly	White
	804070DG	Control Panel Assembly	Dark gray
	804070B	Control Panel Assembly	Black
13	805374	Overlay	Models BF3JXASG403UN01, BF3JXASP403UN01 and BF3JXASP403UW01
	805766	Overlay	Models PF3JXASG403UG06, PF3JXASP403UG06, PFNJXASG303UG06, PFNJXASG543ZG01, PFNJXASP303UG06 and PFNJXASP543ZG01
	804851	Overlay	Models NF3JXASG403UN01, NF3JXASG403UW01, NF3JXASP403NW22, NF3JXASP403UN01, NF3JXASP403UW01, NF3JXASP403UW06, NF3JYASG403UW01 and TF3JXASP403NW22
	805377	Overlay	Models JF3JEASP413EW06, JFNJEASG303EW06 and JFNJEASP303EW06
	805373	Overlay	Models HFNNEASP113CW01, HFNNXASP113CN01, HFNNXASP113CW01, HFNNXASP123DW01, HFNNXASP543DW01 and HFNNYASP113CW01
	804849	Overlay	All other models
14	804647	Screw	
15	54612	Key	GR800

Top Assembly

10 Degree Front Control Models



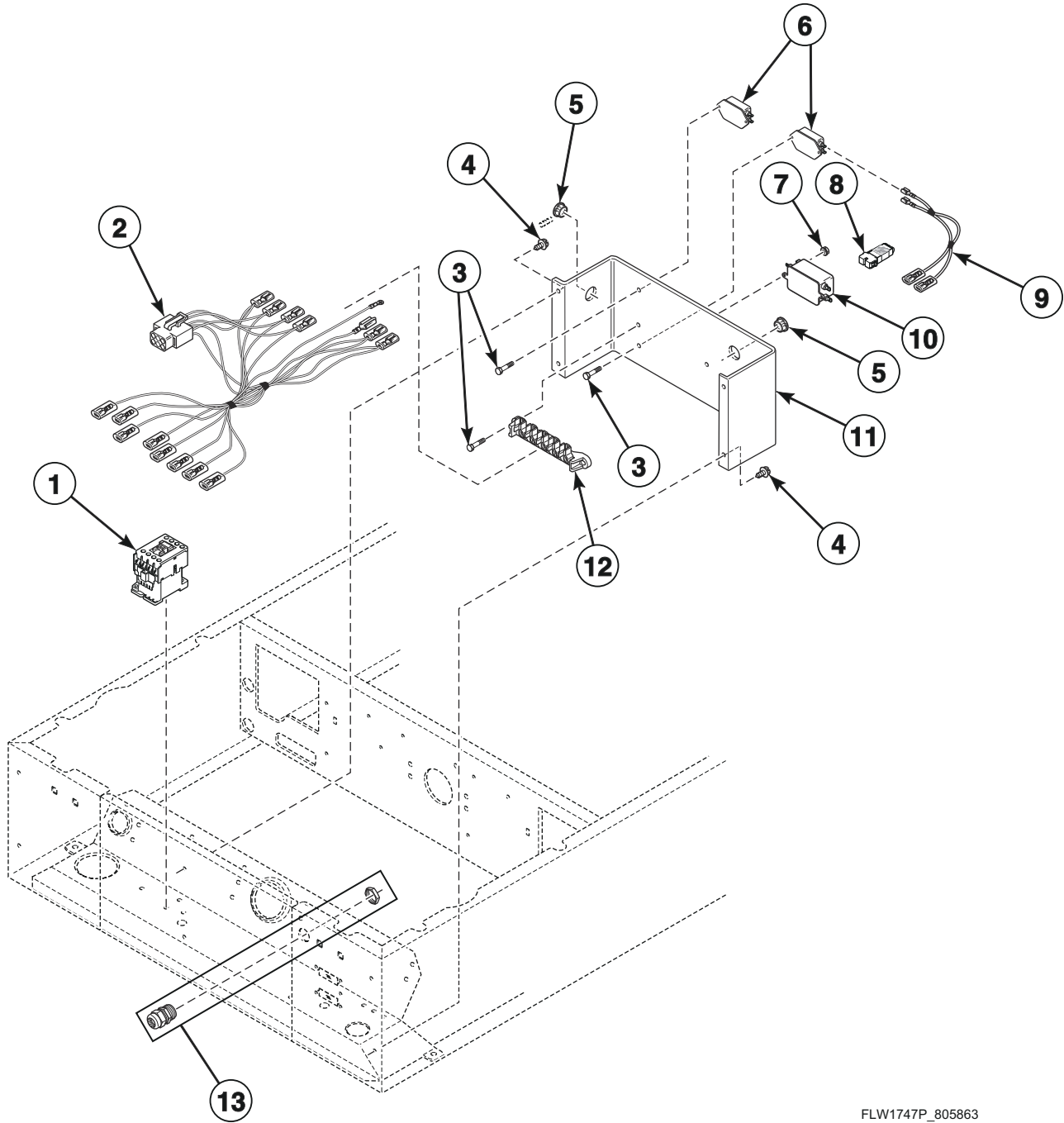
FLW1749P_805863

Top Assembly

REF	PART NO.	DESCRIPTION	COMMENTS
1	803868WP	Top Panel	White
	803869	Top Panel	Stainless steel
	803868DG	Top Panel	Dark gray
	803868Q	Top Panel	Bisque
2	685847	Pop Rivet	
3	511036	Hinge	
4	29651	Bolt	
5	504228	Top Mounting Bracket	
6	36020	Nut	
7	44087201	Nut	
8	23008	Screw	

Electrical Access Panel, Filters and Terminal Block

Models BF3JGBSG403UN01, BF3JGBSG403UW01, BF3JGBSP403UN01, BF3JGBSP403UW01, BF3JLBSG403UN01, BF3JLBSG403UW01, BF3JLBSP403UN01, BF3JLBSP403UW01, BF3JXASG403UN01, BF3JXASP403UN01, BF3JXASP403UW01, HFNNXASP123DW01, HFNNXASP543DW01, JF3JEASP413EW06, JF3JGBSP413EW06, JF3JMBSG413EN06, JFNJEASG303EW06, JFNJEASP303EW06, NF3JGBSP403SW01, NF3JLBSG403UN01, NF3JLBSG403UT01, NF3JLBSG403UT06, NF3JLBSP403NN22, NF3JLBSP403NW22, NF3JLBSP403UN01, NF3JLBSP403UT01, NF3JLBSP403UT06, NF3JLBSP403UW01, NF3JXASG403UN01, NF3JXASG403UW01, NF3JXASP403NW22, NF3JXASP403UN01, NF3JXASP403UW01, NF3JXASP403UW06, NF3JYASG403UW01, PF3JGBJG403UG06, PF3JGBJP403UG06, PF3JGBSG403UG06, PF3JGBSP403UG06, PF3JXASG403UG06, PF3JXASP403UG06, PFNXXASG303UG06, PFNXXASG543ZG01, PFNXXASP303UG06, PFNXXASP543ZG01, SFNNXASG113JW01, SFNNXASP123DW01, SFNNXASP303AN01, SFNNXASP303AN12, SFNNXASP303AW01, SFNNXASP303AW12, SFNNXASP543DW01, SFNNXRSP543NW23 and TF3JXASP403NW22



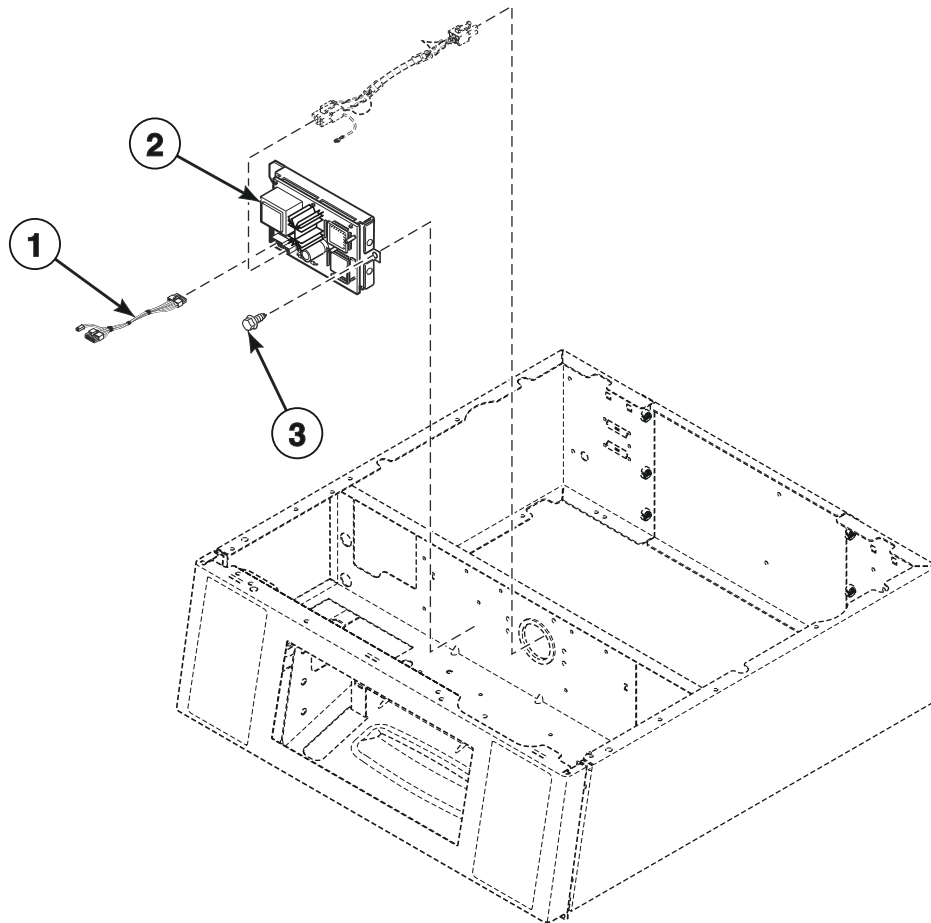
FLW1747P_805863

Electrical Access Panel, Filters and Terminal Block

REF	PART NO.	DESCRIPTION	COMMENTS
	804737	Terminal Block Harness	3 Phase
	805356	Heater Contactor Drip Shield	3 Phase
	805344	Terminal Block Drip Shield	
1	70482603	Contactor	3 Phase
2	805544	Heat Contactor Harness	3 Phase
3	503661	Screw	
4	503688	Screw	
5	M400770	Snap Bushing	45 degree front models
	M402542	Snap Bushing	All other models
6	805634	Filter	3 Phase
7	29787	Nut	
8	804651	Network Varistor Assembly	3 Phase
9	804797	Filter Harness	Filter to main harness
10	805633	Line Filter	
11	804609	Terminal Block Panel	45 degree front models
	803988	Terminal Block Assembly	All other models
12	505876	Terminal Block Assembly	
13	801792P	Fitting	

Network Board Assembly

Models SFNWCASG113TN01, SFNWCASP113TN01, SFNWYASG113TN01, SFNWYASP113TN01,
SFNWYASP113TW01 and SFNWYRSP113TW01



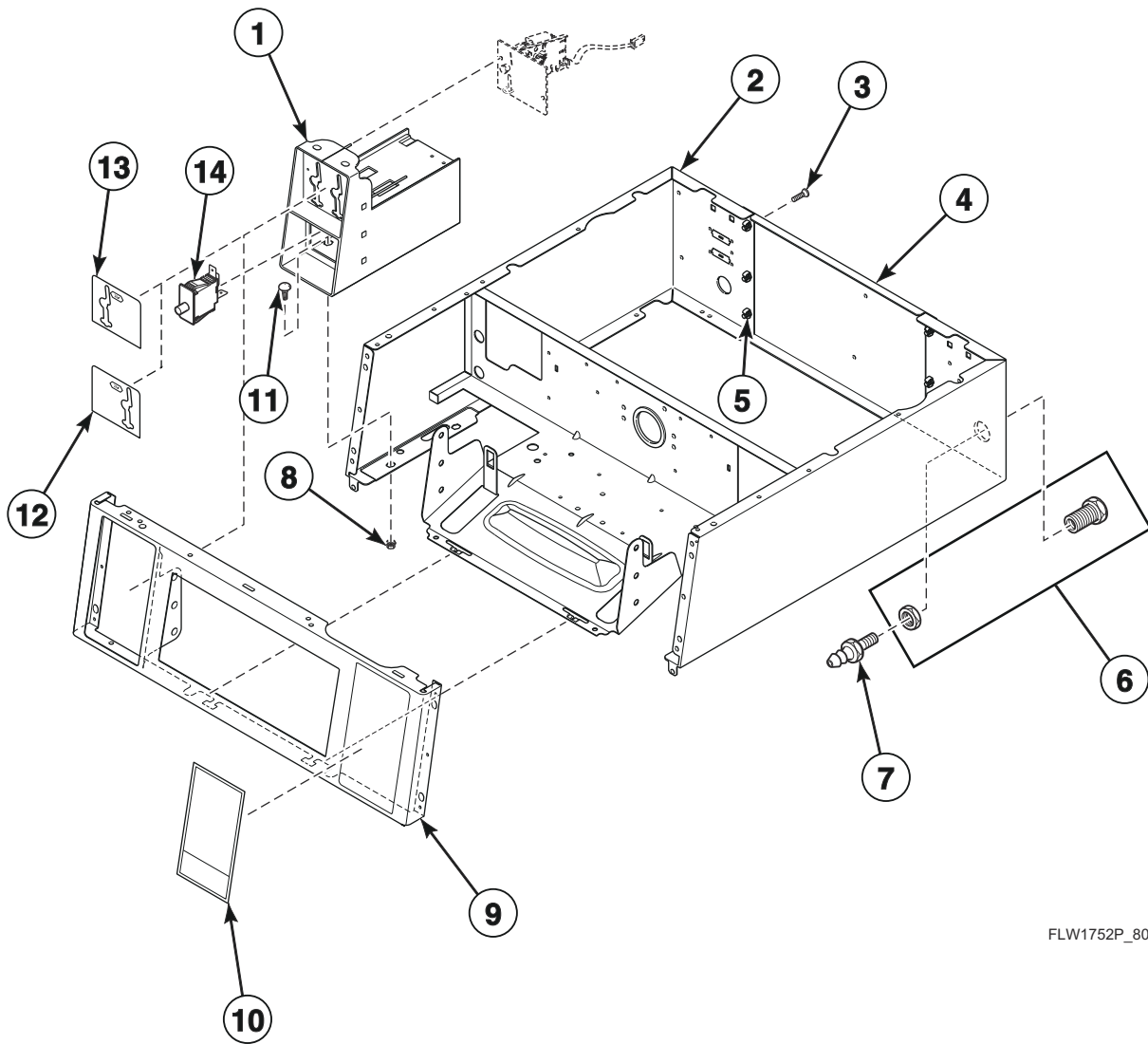
SWD1288P_805863

Network Board Assembly

REF	PART NO.	DESCRIPTION	COMMENTS
1	44088501P	Network Wire Harness Assembly	
2	202335	Wireless Transceiver Assembly	
3	503661	Screw	

Control Cabinet Controls - Front Control Coin Drop Models

Models BF3JXASG403UN01, BF3JXASP403UN01, BF3JXASP403UW01, HFNNEASP113CW01, HFNNXASP113CN01, HFNNXASP113CW01, HFNNXASP123DW01, HFNNXASP543DW01, JF3JEASP413EW06, JFNJEASG303EW06, JFNJEASP303EW06, NF3JXASG403UN01, NF3JXASG403UW01, NF3JXASP403NW22, NF3JXASP403UN01, NF3JXASP403UW01, NF3JXASP403UW06, PF3JXASG403UG06, PF3JXASP403UG06, PFNJXASG303UG06, PFNJXASG543ZG01, PFNJXASP303UG06, PFNJXASP543ZG01, SFNNCAJP113TW01, SFNNCASG113TN01, SFNNCASG113TQ01, SFNNCASG113TW01, SFNNCASP113TN01, SFNNCASP113TQ01, SFNNCASP113TW01, SFNNXASG113JW01, SFNNXASG113TW01, SFNNXASP113TN01, SFNNXASP113TW01, SFNNXASP123DW01, SFNNXASP303AN01, SFNNXASP303AN12, SFNNXASP303AW01, SFNNXASP303AW12, SFNNXASP543DW01, SFNWCASG113TN01, SFNWCASP113TN01 and TF3JXASP403NW22



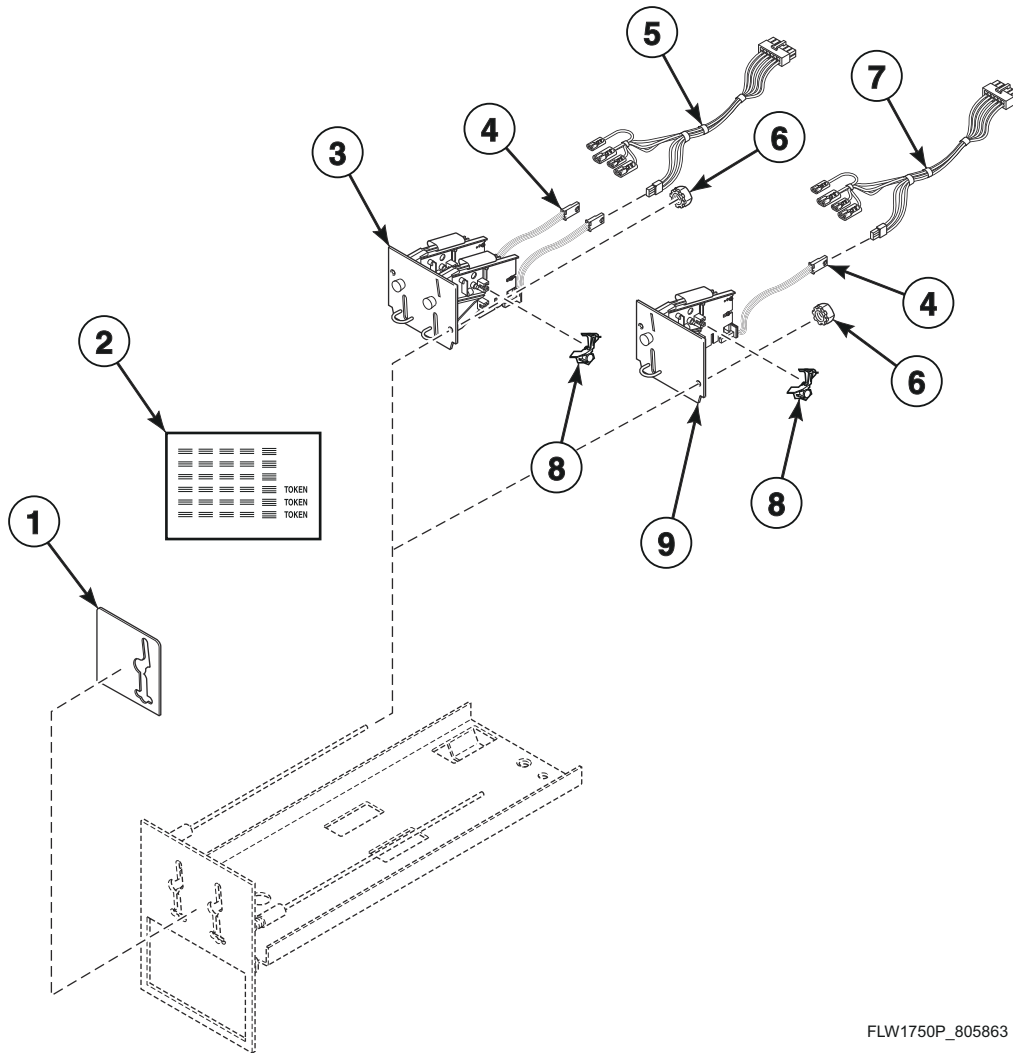
FLW1752P_805863

Control Cabinet Controls - Front Control Coin Drop Models

REF	PART NO.	DESCRIPTION	COMMENTS
1	804009B	Meter Case Assembly	Black
	804009DG	Meter Case Assembly	Dark gray
	804009W	Meter Case Assembly	White
2	804104B	Wrapper Assembly	Black; Single Phase
	804104DG	Wrapper Assembly	Dark gray; Single Phase
	804104W	Wrapper Assembly	White; Single Phase
	804103W	Wrapper Assembly	White; Model SFNCAJP113TW01
	804108W	Wrapper Assembly	White; 3 Phase
	804108B	Wrapper Assembly	Black; 3 Phase
	804108DG	Wrapper Assembly	Dark gray; 3 Phase
3	70240301	Screw	6 required
4	803998	Rear Access Panel	
5	70030501	Expansion Clip	6 required
6	801788	Union	Model SFNCAJP113TW01
7	801789	Connector	Model SFNCAJP113TW01
8	44087201	Nut	
9	803962BP	Control Panel	Black
	803962DG	Control Panel	Dark gray
	803962WP	Control Panel	White
10	804846	Operating Instruction Label	Icon
	514681	Nameplate Overlay	Models JF3JEASP413EW06, JFNJEASG303EW06 and JFNJEASP303EW06
	805829	Operating Instructions Label	Models PFNXXASG303UG06, PFNXXASG543ZG01, PFNXXASP303UG06 and PFNXXASP543ZG01
	804327	Operating Instruction Label	English
11	29651	Bolt	
12	38717	Single Overlay	\$0.25
	803476	Single Drop Overlay	Models JF3JEASP413EW06, JFNJEASG303EW06 and JFNJEASP303EW06
13	201091	Overlay	For electronic coin drops
14	512973	Switch	

Non-Electronic Coin Drop, Cabinet Front and Wrapper Assembly

Coin Models



FLW1750P_805863

Non-Electronic Coin Drop, Cabinet Front and Wrapper Assembly

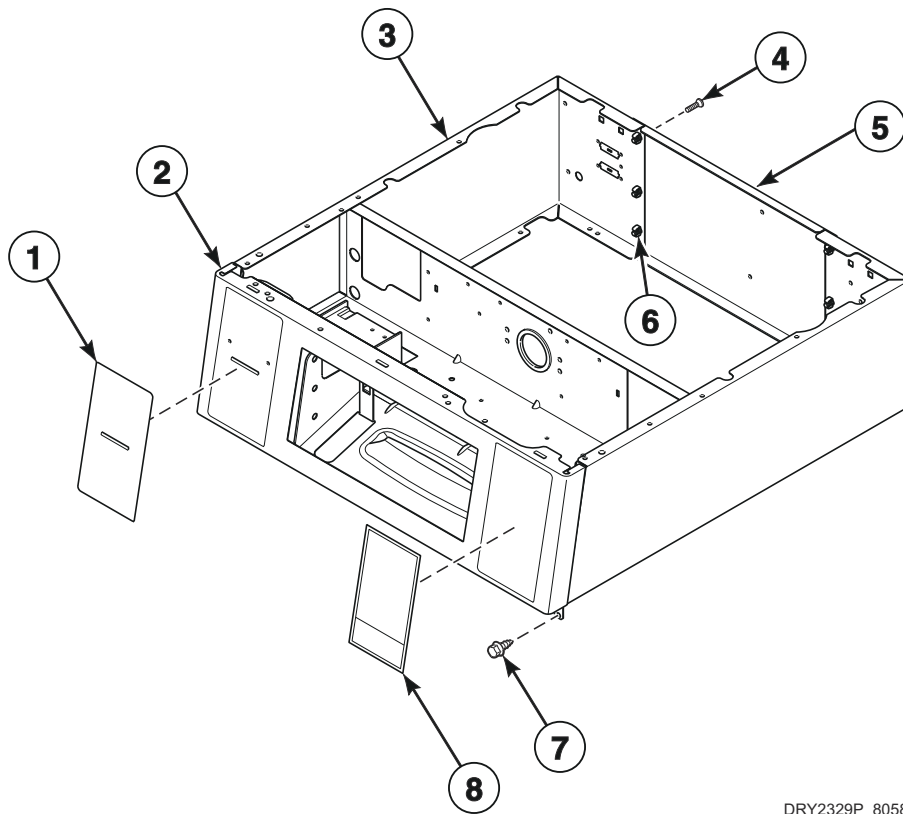
REF	PART NO.	DESCRIPTION	COMMENTS
1	38717	Single Overlay	
2	38725	Coin Identification Paper	
3	70441602	Coin Drop Assembly	Canada; .25 and 1.00
	70482401	Coin Drop Assembly	New Zealand; 1.00 and 2.00
	38467	Coin Drop Assembly	Australia; .20 and 1.00
	38472	Coin Drop Assembly	England; 20 pence and 1 pound
	38519	Coin Drop Assembly	Japan; 100 yen and 500 yen
	38521	Coin Drop Assembly	Korea; 100 won and 500 won
4	200674P	Opto Coupler	
5	202871	Dual Coin Harness Assembly	
6	29786	Nut	
7	202870	Single Coin Harness Assembly	
8	201595P	Wire Guard	Anti-stringing security device
9	70441601P	Coin Drop	U.S.A.; \$.25
	38464P	Coin Drop Assembly	Canada; .25
	CK114	Coin Drop Assembly	Singapore; Old 1.00
	CK123	Coin Drop Assembly	Singapore; New 1.00
	38462P	Coin Drop Assembly	Token; STD-118-1
	38463	Coin Drop Assembly	Token; STD-118-5
	38963P	Coin Drop	Token 118-16 not available. Replacement for 38963P Coin Drop only

Electronic Coin Drop

REF	PART NO.	DESCRIPTION	COMMENTS
1	CK099	Electronic Coin Drop Kit	Includes items 2-4 and 7-9; Australia, New Zealand, Hong Kong, South Korea and Malaysia coins
	CK100	Electronic Coin Drop Kit	Includes items 2-4 and 7-9; Euro and Great Britain coins
	CK101	Electronic Coin Drop Kit	Includes items 2-4 and 7-9; Euro, Denmark and Norway coins
	CK103	Electronic Coin Drop Kit	Includes items 2-4 and 7-9; Euro, Lithuania and Latvia coins
	CK106	Electronic Coin Drop Kit	Includes items 2-4 and 7-9; Malaysia, China, Russia and Singapore coins
	CK108	Electronic Coin Drop Kit	Includes items 2-4 and 7-9; South African 1, 2 and 5 rand coins
	CK109	Electronic Coin Drop Kit	Includes items 2-4 and 7-9; Euro coins
	CK110	Electronic Coin Drop Kit	Includes items 2-4 and 7-9; Mexico, Ecuador and United States coins
	CK113	Electronic Coin Drop Kit	Includes items 2-4 and 7-9; Japan and Taiwan coins
	CK115	Electronic Coin Drop Kit	Includes items 2-4 and 7-9; United States and Canada coins
	CK120	Electronic Coin Drop Kit	Includes items 2-4 and 7-9; Chile coins
	CK121	Electronic Coin Drop Kit	Includes items 2-4 and 7-9; Singapore coins
2	70294105P	Electronic Coin Drop Assembly	Australia, New Zealand, Hong Kong, South Korea and Malaysia coins
	70294103P	Electronic Coin Drop Assembly	Euro and Great Britain coins
	70294104	Electronic Coin Drop Assembly	Euro, Denmark and Norway coins
	70294107	Electronic Coin Drop Assembly	Euro, Lithuania and Latvia coins
	70294109	Electronic Coin Drop Assembly	Malaysia, China, Russia and Singapore coins
	70294110	Electronic Coin Drop Assembly	South African 1, 2 and 5 rand coins
	70294111	Electronic Coin Drop Assembly	Euro coins
	70294106	Electronic Coin Drop Assembly	Mexico, Ecuador and United States coins
	70294112	Electronic Coin Drop Assembly	Euro, Great Britain and token coins
	70294120	Electronic Coin Drop Assembly	Chile coins
	70294121	Electronic Coin Drop Assembly	Singapore coins
3	201216	Nut	
	29786	Nut	Use on front control models with no guide rods
4	201104	Coin Drop Wire Harness	
5	802905	Harness Assembly	Electronic coin drop requires this harness. If unit is not factory-equipped with this harness, it must be ordered separately.
6	201375P	Transformer	Electronic coin drop requires this transformer. If unit is not factory-equipped with this transformer, it must be ordered separately.
7	201572	Clip	
8	201091	Overlay	
9	38725	Coin Identification Paper	

Control Cabinet Controls - Front Control Card Reader Ready Models

Models HFNNYASP113CW01, NF3JYASG403UW01, SFNNYAJP113TW01, SFNNYASG113TN01, SFNNYASG113TW01,
SFNNYASP113TN01, SFNNYASP113TW01, SFNWWYASG113TN01, SFNWWYASP113TN01 and SFNWWYASP113TW01



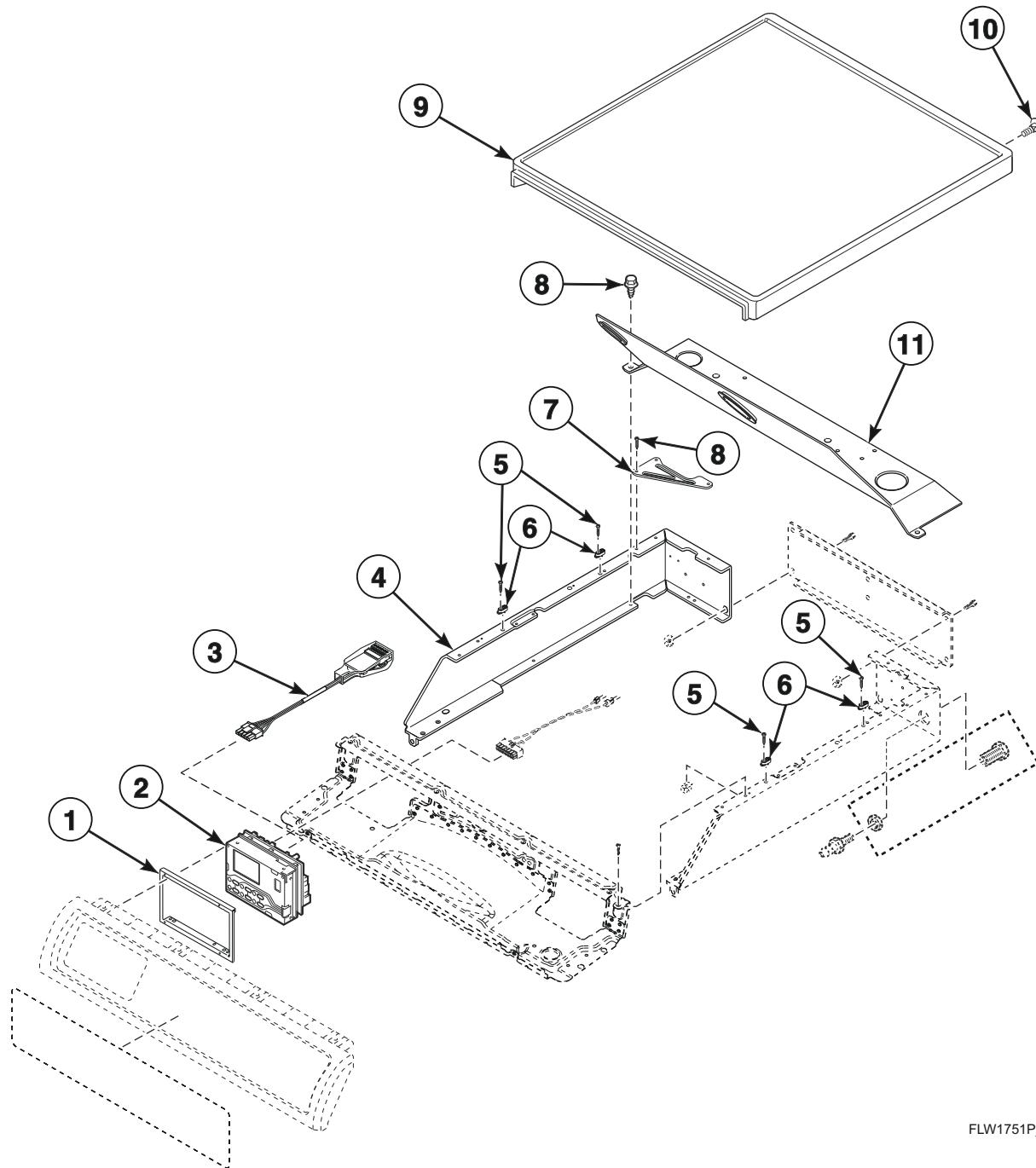
DRY2329P_805863

Control Cabinet Controls - Front Control Card Reader Ready Models

REF	PART NO.	DESCRIPTION	COMMENTS
1	514873	Overlay	Gray; Model HFNNYASP113CW01
	514874	Overlay	Model NF3JYASG403UW01
	514391	Card Insert Overlay	All other models
2	804149W	Security Cabinet Assembly	White
	804149B	Security Cabinet Assembly	Black
3	804112W	Wrapper Assembly	White
	804112B	Wrapper Assembly	Black
4	70240301	Screw	6 required
5	803998	Rear Access Panel	
6	70030501	Expansion Clip	6 required
7	503688	Screw	
8	804327	Operating Instruction Label	

Control Cabinet - 45 Degree Front Control Models (Drawing 1 of 2)

Models BF3JGBSG403UN01, BF3JGBSG403UW01, BF3JGBSP403UN01, BF3JGBSP403UW01, BF3JLBSG403UN01, BF3JLBSG403UW01, BF3JLBSP403UN01, BF3JLBSP403UW01, JF3JGBSP413EW06, JF3JMBSG413EN06, NF3JGBSP403SW01, NF3JLBSG403UN01, NF3JLBSG403UT01, NF3JLBSG403UT06, NF3JLBSP403NN22, NF3JLBSP403NW22, NF3JLBSP403UN01, NF3JLBSP403UT01, NF3JLBSP403UT06, NF3JLBSP403UW01, PF3JGBJG403UG06, PF3JGBJP403UG06, PF3JGBSG403UG06, PF3JGBSP403UG06, SFNNYBSP113TN01 and SFNNYBSP113TW01



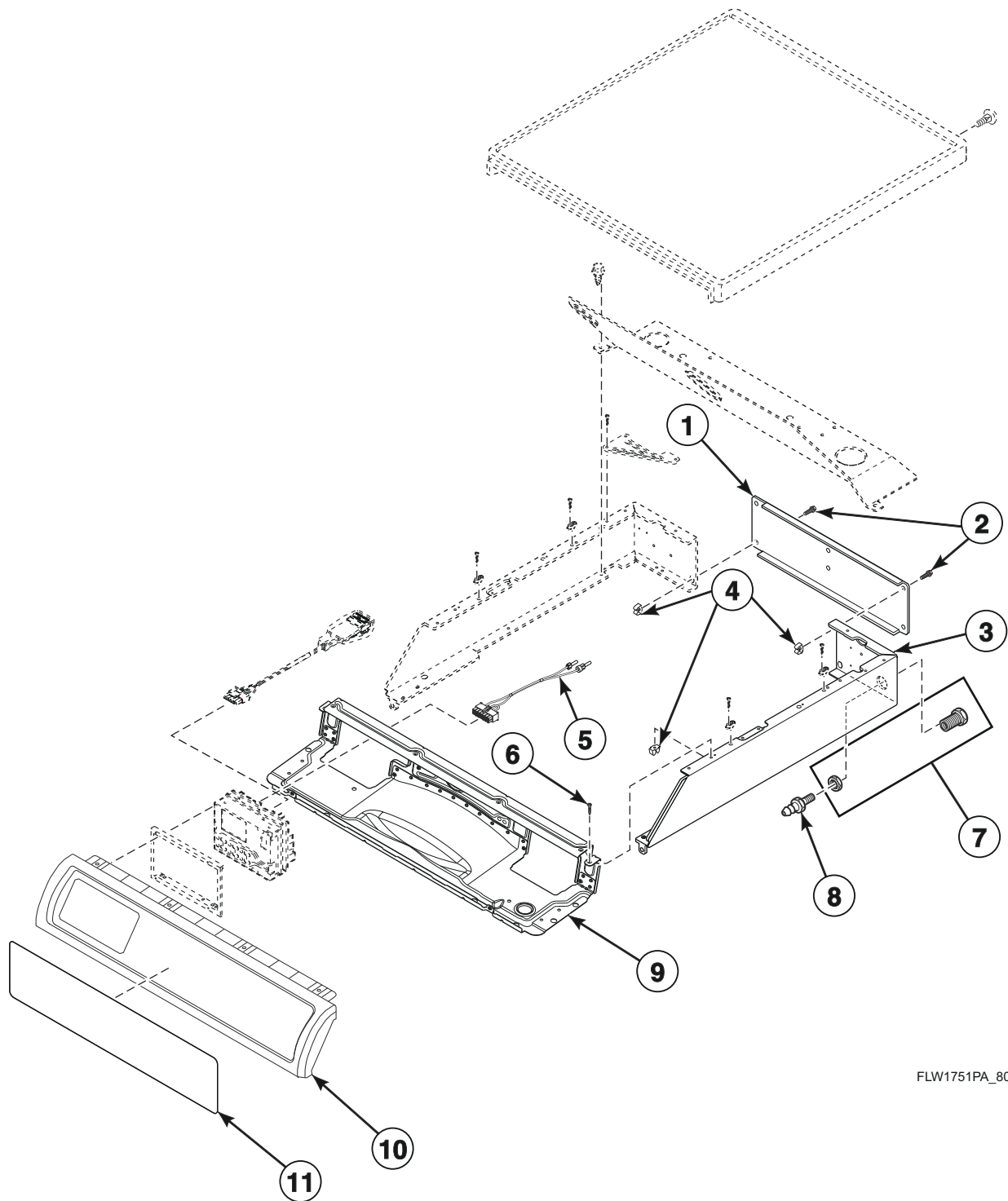
FLW1751P_805863

Control Cabinet - 45 Degree Front Control Models (Drawing 1 of 2)

REF	PART NO.	DESCRIPTION	COMMENTS
	36226	Bumper Pad	4 required
1	804612	Control Bracket	
2	804472P	Control Assembly	Red LEDs; Models BF3JGBSG403UN01, BF3JGBSG403UW01, BF3JGBSP403UN01, BF3JGBSP403UW01, BF3JLBSG403UN01, BF3JLBSG403UW01, BF3JLBSP403UN01 and BF3JLBSP403UW01
	804471P	Control Assembly	Green LEDs; All other models
3	203361P	Machine ID Control Assembly	
4	804627W	Control Wrapper	Left; Model SFNNYBSP113TW01
	804627B	Control Wrapper	Left; Model SFNNYBSP113TN01
	804628W	Control Wrapper	White; Left; All other models
	804628B	Control Wrapper	Black; Left; All other models
	804628DG	Control Wrapper	Dark gray; Left; All other models
5	39733	Screw	4 required
6	803761	Top Panel Guide	4 required
7	805345	Rear Wrapper Brace	2 required
8	503688	Screw	6 required
9	804684	Top Panel	Stainless steel
	804685WP	Top Panel	White
	804685DG	Top Panel	Dark gray
10	29651	Bolt	
11	804363	Control Shield	

Control Cabinet - 45 Degree Front Control Models (Drawing 2 of 2)

Models BF3JGBSG403UN01, BF3JGBSG403UW01, BF3JGBSP403UN01, BF3JGBSP403UW01, BF3JLBSG403UN01, BF3JLBSG403UW01, BF3JLBSP403UN01, BF3JLBSP403UW01, JF3JGBSP413EW06, JF3JMBSG413EN06, NF3JGBSP403SW01, NF3JLBSG403UN01, NF3JLBSG403UT01, NF3JLBSG403UT06, NF3JLBSP403NN22, NF3JLBSP403NW22, NF3JLBSP403UN01, NF3JLBSP403UT01, NF3JLBSP403UT06, NF3JLBSP403UW01, PF3JGBJG403UG06, PF3JGBJP403UG06, PF3JGBSG403UG06, PF3JGBSP403UG06, SFNNYBSP113TN01 and SFNNYBSP113TW01



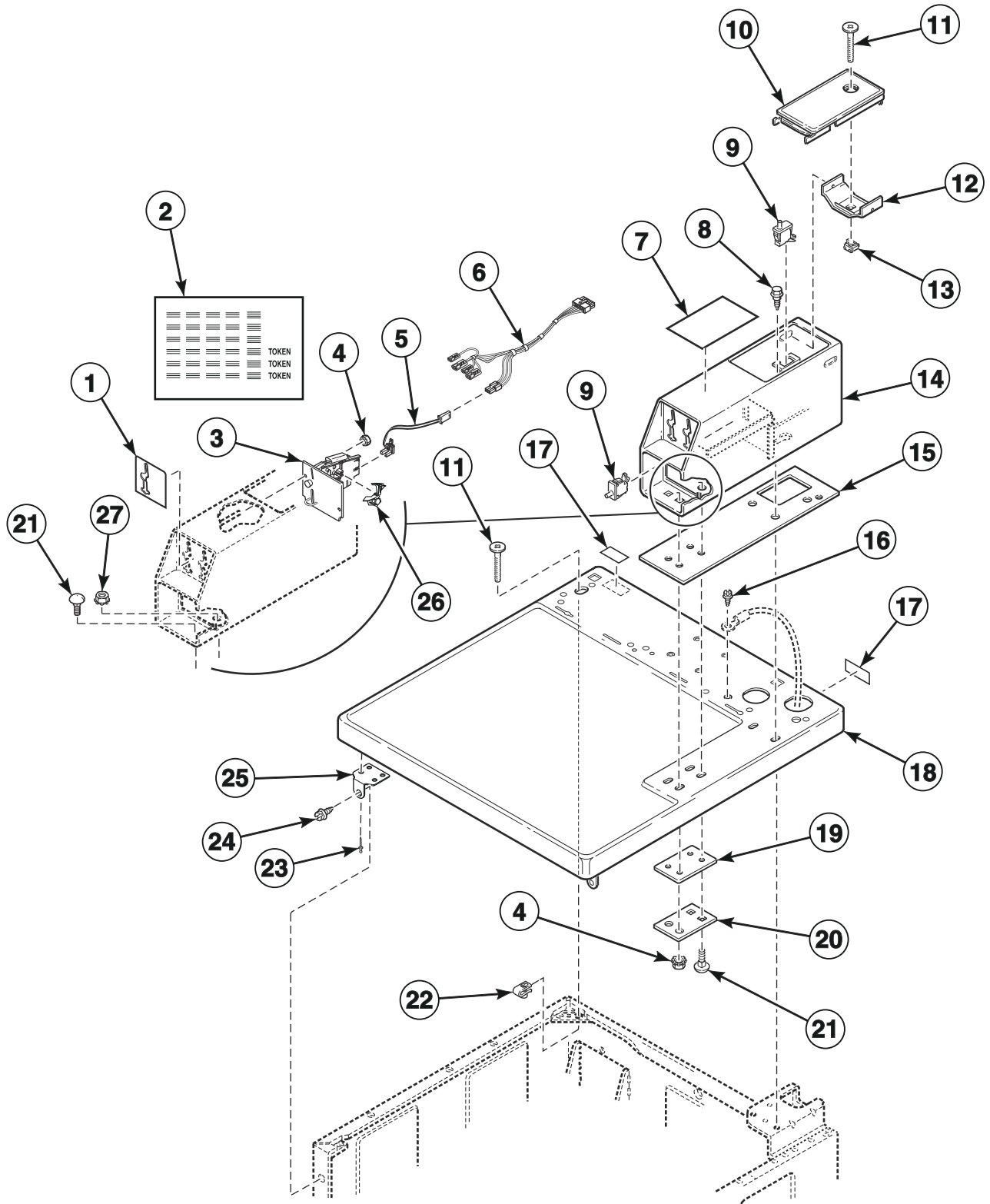
FLW1751PA_805863

Control Cabinet - 45 Degree Front Control Models (Drawing 2 of 2)

REF	PART NO.	DESCRIPTION	COMMENTS
	36226	Bumper Pad	4 required
1	804614	Rear Access Panel	
2	503688	Screw	
3	804629DG	Control Wrapper	Dark gray; Right; Models PF3JGBJG403UG06 and PF3JGBJP403UG06
	804630W	Control Wrapper	White; Right; All other models
	804630B	Control Wrapper	Black; Right; All other models
	804630DG	Control Wrapper	Dark gray; Right; All other models
4	70030501	Expansion Clip	
5	202869	Wiring Harness Assembly	Diagnostic
6	804667	Screw	
7	801788	Union	Models PF3JGBJG403UG06 and PF3JGBJP403UG06
8	801789	Connector	Models PF3JGBJG403UG06 and PF3JGBJP403UG06
9	804613	Top Panel Brace Assembly	
10	804963	Control Panel Assembly	Black
	804962	Control Panel Assembly	White
	805008	Control Panel Assembly	Dark gray
11	805375	Control Overlay	Models BF3JGBSG403UN01, BF3JGBSG403UW01, BF3JGBSP403UN01, BF3JGBSP403UW01, BF3JLBSG403UN01, BF3JLBSG403UW01, BF3JLBSP403UN01 and BF3JLBSP403UW01
	805376	Control Overlay	Models NF3JGBSP403SW01, NF3JLBSG403UN01, NF3JLBSG403UT01, NF3JLBSG403UT06, NF3JLBSP403NN22, NF3JLBSP403NW22, NF3JLBSP403UN01, NF3JLBSP403UT01, NF3JLBSP403UT06 and NF3JLBSP403UW01
	805379	Control Overlay	Model JF3JMBSG413EN06
	805768	Control Overlay	Models PF3JGBJG403UG06, PF3JGBJP403UG06, PF3JGBSG403UG06 and PF3JGBSP403UG06
	805675	Control Overlay	Models SFNNYBSP113TN01 and SFNNYBSP113TW01
	805378	Control Overlay	Model JF3JGBSP413EW06

Coin Drop, Meter Case and Cabinet Top

Models HFNNRSP113CW01, HFNNXRSP113CW01, SFNNCRSP113TW01, SFNNCRSP113TW02, SFNNXRSP113TW02 and SFNNXRSP543NW23



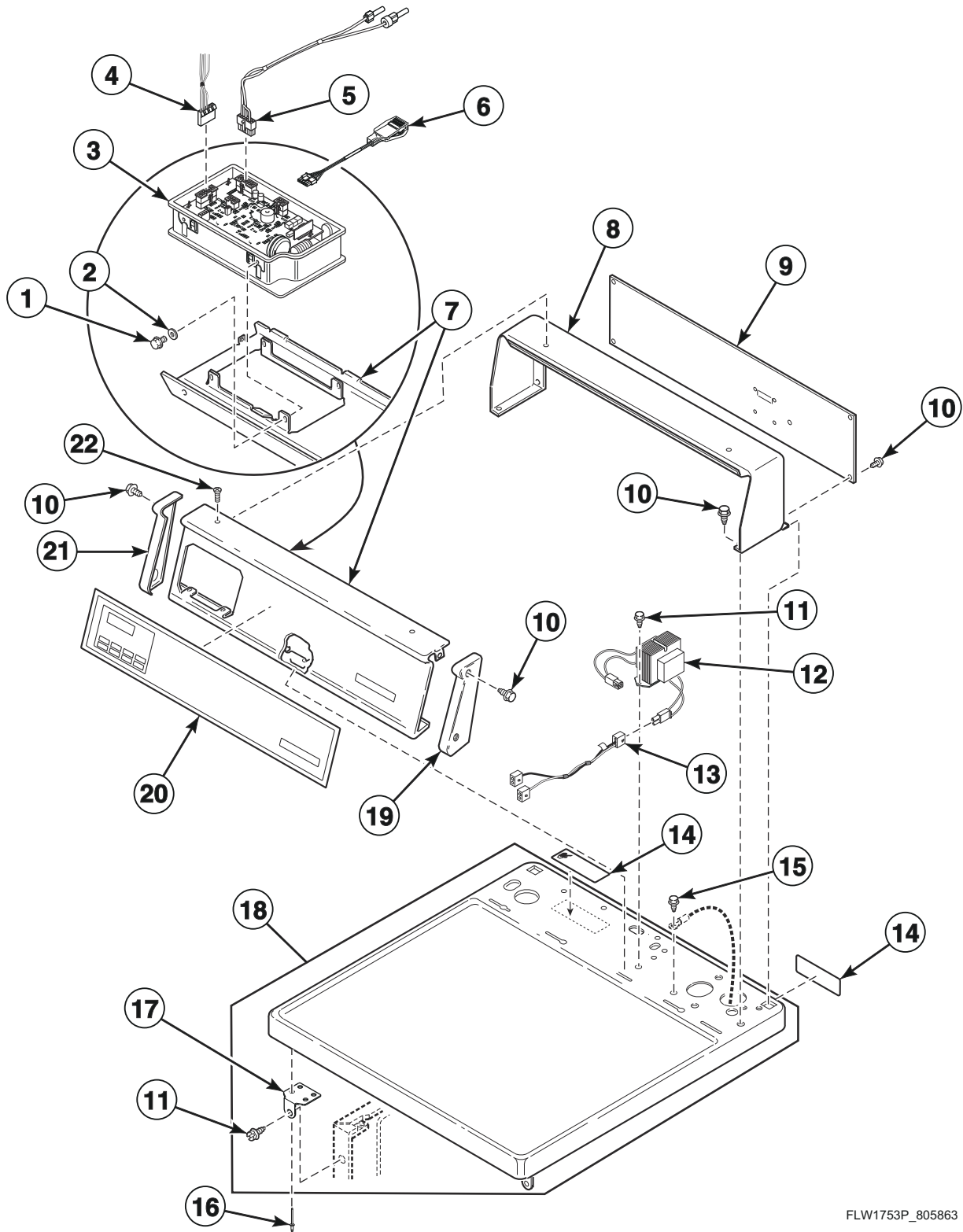
FLW980P_805863

Coin Drop, Meter Case and Cabinet Top

REF	PART NO.	DESCRIPTION	COMMENTS
1	201091	Overlay	Model HFNNERSP113CW01
	38717	Single Overlay	All other models
2	38725	Coin Identification Paper	
3	70441601P	Coin Drop	U.S.A.; \$.25
	70441602	Coin Drop Assembly	Canada; .25 and 1.00
4	29786	Nut	
5	200674P	Opto Coupler	
6	202870	Single Coin Harness Assembly	
	202871	Dual Coin Harness Assembly	
7	805830	Rear Control Operating Instruction Label	
8	36048	Screw	
9	512973	Switch	
10	39874WP	Service Door Assembly	
11	503673	Screw	
12	30642	Meter Case Locking Bracket	
13	30647	Nut	
14	803063WP	Meter Case Assembly Kit	Models SFNNCRSP113TW02 and SFNNXRSP113TW02
	803578P	Coin Box Extension Kit	Use with 803063W Meter Case Assembly to extend shorter 7 inch coin boxes; Models SFNNCRSP113TW02 and SFNNXRSP113TW02
	802505W	Meter Case Assembly	Model HFNNERSP113CW01
	38724W	Meter Case Assembly	All other models
15	26354	Meter Case Gasket	
16	20530	Screw	
17	505281	Disconnect Power Warning Label	English
	500316	Warning Label	English/French
18	511527WP	Top Kit	
19	35526	Meter Case Bracket Gasket	
20	35525	Meter Case Lockdown Bracket	
21	02505	Bolt	
22	27222	Nut	
23	70058501	Pop Rivet	
24	503661	Screw	
25	510146	Bracket	
26	201595P	Wire Guard	Anti-stringing security device
27	802337	Nut	

Control Panel, Control Hood and Controls (Drawing 1 of 2)

Models HFNNYRSP113CW01, SFNNYRSP113TW01 and SFNWYRSP113TW01



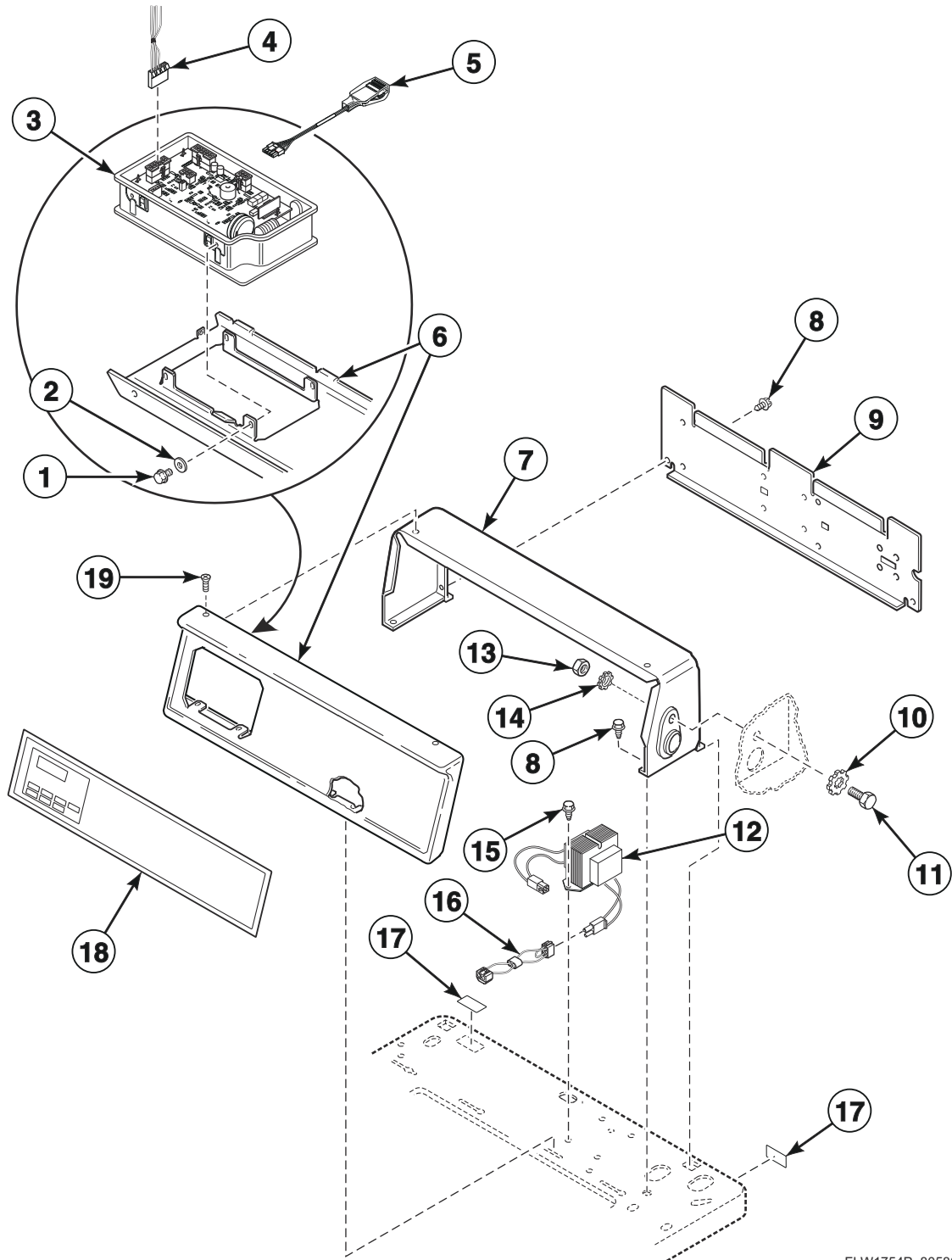
FLW1753P_805863

Control Panel, Control Hood and Controls (Drawing 1 of 2)

REF	PART NO.	DESCRIPTION	COMMENTS
	203327	Wireless Network Kit	
	203328	Network Retrofit Kit	Wired
	203346	USB IR Interface Kit	
	NK220	Network Controller Kit	Wired
	NK320	Ethernet Gateway Kit	Wireless
	NK330	USB Gateway Kit	Wireless
1	501524	Screw	
2	200608	Washer	
3	804471P	Control Assembly	
4	805427	Central Pay Harness	
5	202869	Wiring Harness Assembly	Diagnostic
6	203361P	Machine ID Control Assembly	
7	805512W	Control Panel and Stud Assembly	Model SFNWYRSP113TW01
	800710W	Control Panel and Stud Assembly	Models HFNNYRSP113CW01 and SFNNYRSP113TW01
8	511253W	Control Hood	
9	511254	Rear Panel	
10	501086	Screw	
11	503661	Screw	
12	202757	Transformer	
13	804832	Harness	
14	505281	Disconnect Power Warning Label	Models SFNNYRSP113TW01 and SFNWYRSP113TW01
	500316	Warning Label	Model HFNNYRSP113CW01
15	20530	Screw	
16	70058501	Pop Rivet	
17	510146	Bracket	
18	511530WP	Top Panel Kit	Includes items 11 and 17
19	210108W	End Cap	Right
20	805370	Overlay	Models SFNNYRSP113TW01 and SFNWYRSP113TW01
	805372	Control Overlay	Model HFNNYRSP113CW01
21	210109W	End Cap	Left
22	52864	Screw	

Control Panel, Control Hood and Controls (Drawing 2 of 2)

Models HFNNERSP113CW01, HFNNXRSP113CW01, SFNNCRSP113TW01, SFNNCRSP113TW02, SFNNXRSP113TW02 and SFNNXRSP543NW23



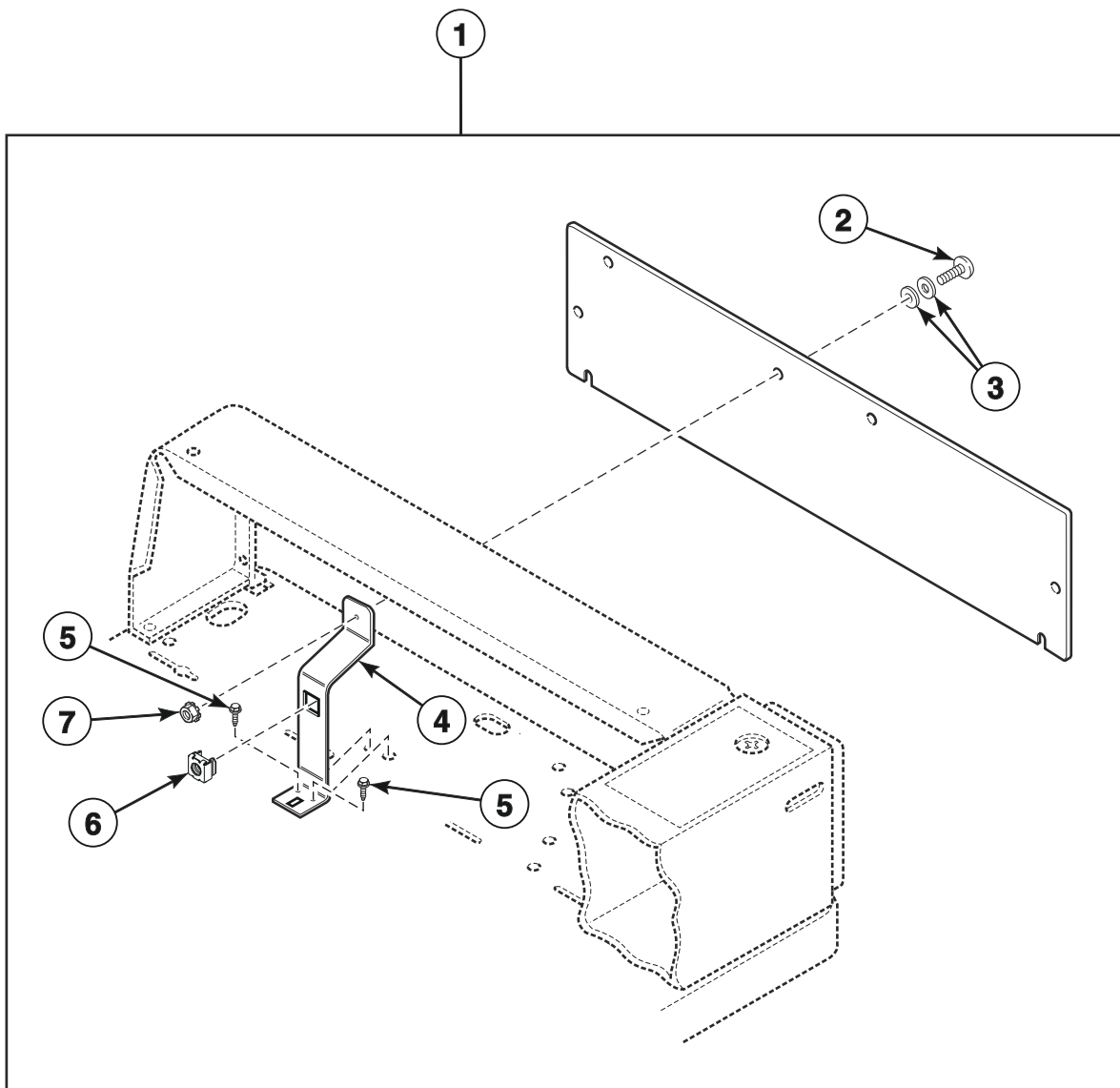
FLW1754P_805863

Control Panel, Control Hood and Controls (Drawing 2 of 2)

REF	PART NO.	DESCRIPTION	COMMENTS
	203327	Wireless Network Kit	
	203328	Network Retrofit Kit	Wired
	203346	USB IR Interface Kit	
	NK220	Network Controller Kit	Wired
	NK320	Ethernet Gateway Kit	Wireless
	NK330	USB Gateway Kit	Wireless
1	501524	Screw	
2	200608	Washer	
3	804471P	Control Assembly	
4	805427	Central Pay Harness	
5	203361P	Machine ID Control Assembly	
6	800149W	Control Panel and Bracket Assembly	
7	502567W	Control Hood	
8	501086	Screw	
9	804223	Hood Back Panel	
10	M400017	Washer	
11	02916	Screw	
12	202757	Transformer	
13	52566	Nut	
14	02431	Washer	
15	503661	Screw	
16	804832	Harness	
17	505281	Disconnect Power Warning Label	Models SFNNCRSP113TW01, SFNNCRSP113TW02, SFNNXRSP113TW02 and SFNNXRSP543NW23
	500316	Warning Label	Models HFNNERSP113CW01 and HFNNXRSP113CW01
18	804850	Overlay	Models SFNNCRSP113TW01, SFNNCRSP113TW02, SFNNXRSP113TW02 and SFNNXRSP543NW23
	805371	Control Overlay	Models HFNNERSP113CW01 and HFNNXRSP113CW01
19	52864	Screw	

Control Hood Security Kit

Models HFNNRSP113CW01, HFNNXRSP113CW01, SFNNCRSP113TW01, SFNNCRSP113TW02, SFNNXRSP113TW02 and SFNNXRSP543NW23

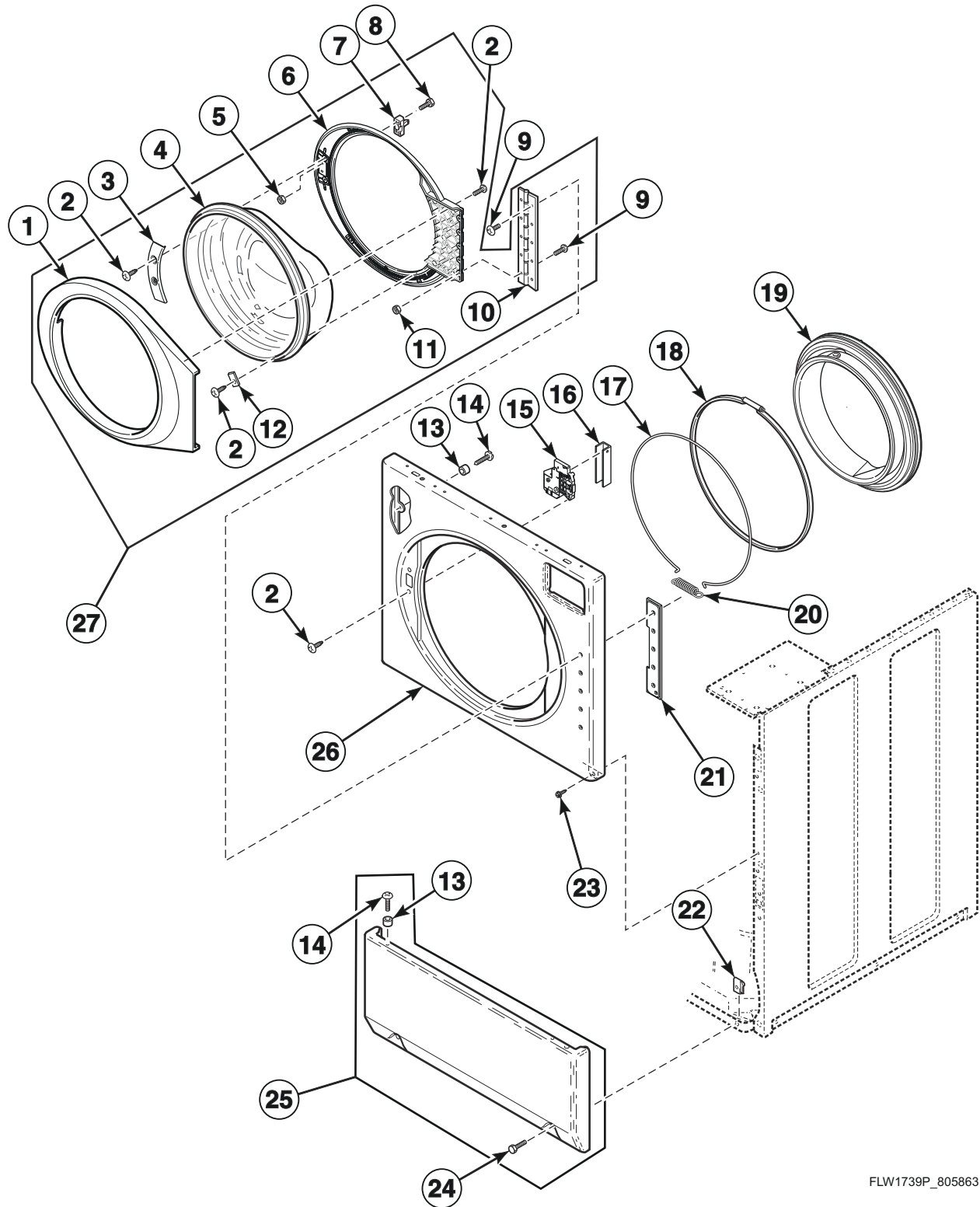


FLW963P_805863

Control Hood Security Kit

REF	PART NO.	DESCRIPTION	COMMENTS
1	905P3	Security Kit	Includes items 2-7 and rear panel
2	32184	Bolt	
3	25100	Washer	
4	201918	Bracket	
5	503688	Screw	
6	30647	Nut	
7	23951	Nut	

Front Panel, Door Assembly and Door Seal

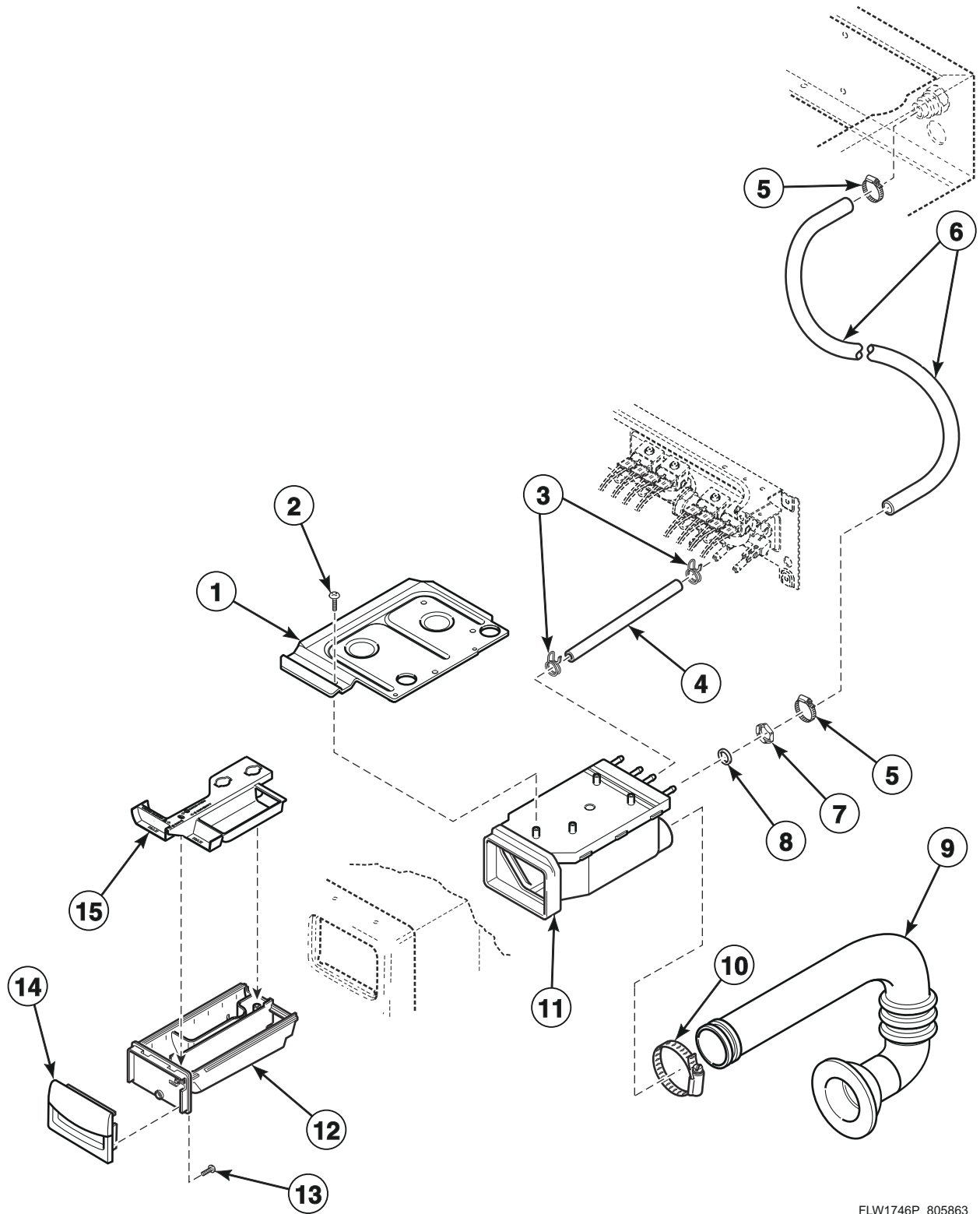


FLW1739P_805863

Front Panel, Door Assembly and Door Seal

REF	PART NO.	DESCRIPTION	COMMENTS
1	803710WP	Outer Door Bezel	White
	803711P	Outer Door Bezel	Gray
	803710BP	Outer Door Bezel	Black
	803710QP	Outer Door Bezel	Bisque
2	800548	Screw	
3	804239	Door Glass Mounting Plate	
4	802695P	Door Glass	
5	685846	Nut	
6	802307P	Inner Door Bezel Kit	
	804562	Inner Door Bezel	Glass filled polypropylene upgrade
7	802803	Door Catch Assembly	
8	801993	Screw	
9	801019	Screw	
10	802934	Door Hinge	
11	23951	Nut	
12	802700	Glass Mounting Clip	
13	56079	Panel Locator	
14	39733	Screw	Use with painted panels
	512921	Screw	Use with stainless steel panels
15	803920	Door Latch Assembly	
16	804784	Door Lock Drip Shield	Models BF3JGBSG403UN01, BF3JGBSG403UW01, BF3JGBSP403UN01, BF3JGBSP403UW01, BF3JLBSG403UN01, BF3JLBSG403UW01, BF3JLBSP403UN01, BF3JLBSP403UW01, BF3JXASG403UN01, BF3JXASP403UN01, BF3JXASP403UW01, HFNNXASP123DW01, HFNNXASP543DW01, JF3JEASP413EW06, JF3JGBSP413EW06, JF3JMBSG413EN06, JFNJEASG303EW06, JFNJEASP303EW06, NF3JGBSP403SW01, NF3JLBSG403UN01, NF3JLBSG403UT01, NF3JLBSG403UT06, NF3JLBSP403NN22, NF3JLBSP403NW22, NF3JLBSP403UN01, NF3JLBSP403UT01, NF3JLBSP403UT06, NF3JLBSP403UW01, NF3JXASG403UN01, NF3JXASG403UW01, NF3JXASP403NW22, NF3JXASP403UN01, NF3JXASP403UW01, NF3JXASP403UW06, NF3JYASG403UW01, PF3JGBJG403UG06, PF3JGBJP403UG06, PF3JGBSG403UG06, PF3JGBSP403UG06, PF3JXASG403UG06, PF3JXASP403UG06, PFNXXASG303UG06, PFNXXASG543ZG01, PFNXXASP303UG06, PFNXXASP543ZG01, SFNNXASG113JW01, SFNNXASP123DW01, SFNNXASP303AN01, SFNNXASP303AN12, SFNNXASP303AW01, SFNNXASP303AW12, SFNNXASP543DW01, SFNNXRSP543NW23 and TF3JXASP403NW22
17	802283	Wire Clamp Ring	
18	802281	Hose Clamp	
19	804428P	Door Seal	
20	802285	Extension Spring	
21	802206	Hinge Plate	
22	36020	Nut	
23	503661	Screw	
24	801045	Screw	
25	804617W	Access Panel Assembly	White
	804617Q	Access Panel Assembly	Bisque
	804618	Access Panel Assembly	Stainless steel
	804617DG	Access Panel Assembly	Dark gray
26	802277WP	Front Panel	White
	802277QP	Front Panel	Bisque
	802288P	Front Panel	Stainless steel
27	804083W	Door Assembly	White; Includes items 1-7, 9-12
	804083Q	Door Assembly	Bisque; Includes items 1-7, 9-12
	804210	Door Assembly	Gray; Includes items 1-7, 9-12
	804083B	Door Assembly	Black; Includes items 1-7, 9-12

Dispenser Assembly

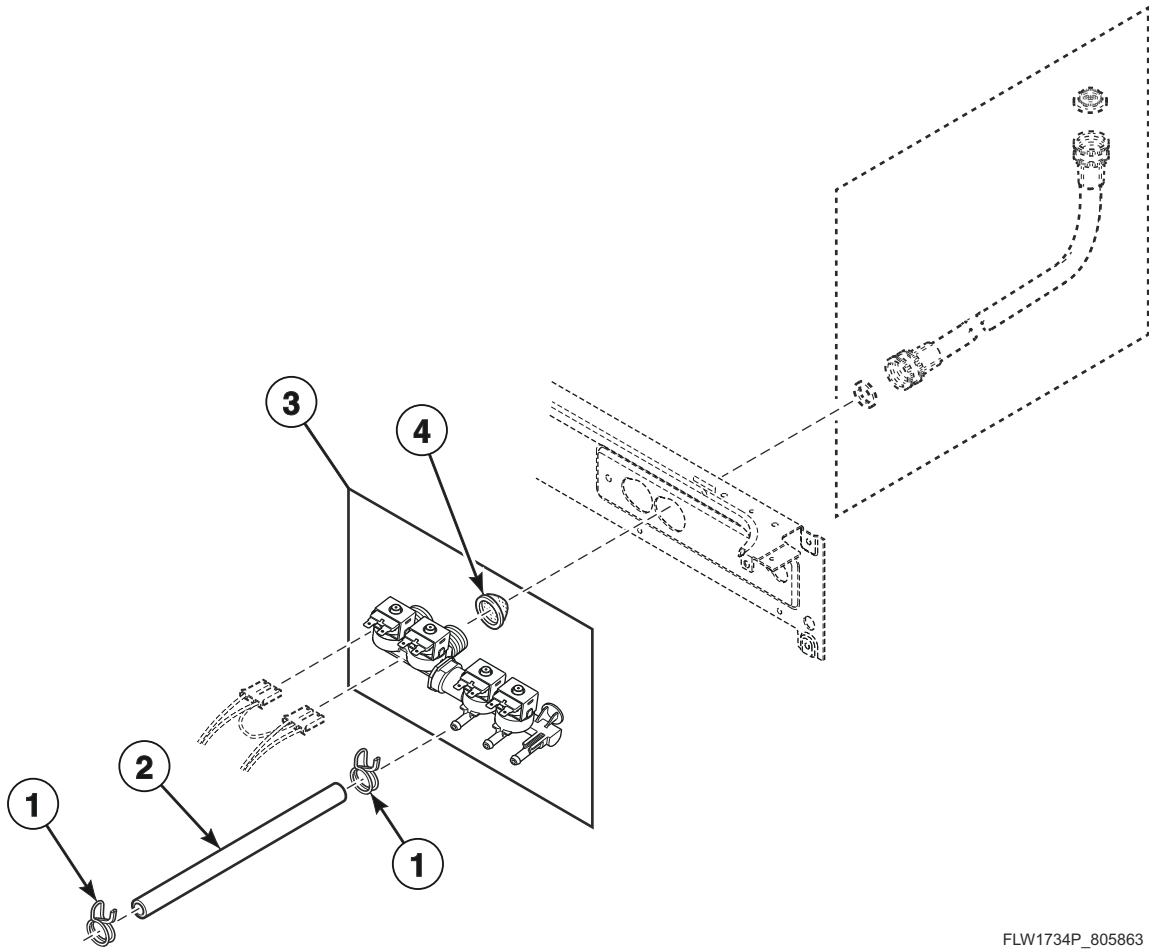


FLW1746P_805863

Dispenser Assembly

REF	PART NO.	DESCRIPTION	COMMENTS
	804875	Foam Pad	
1	803843	Dispenser Plate	
2	801001	Screw	
3	804173	Hose Clamp	
4	803849	Dispenser Inlet Hose	
5	F200206	Hose Clamp	Models PF3JGBJG403UG06, PF3JGBJP403UG06, SFNNCAJP113TW01 and SFNNYAJP113TW01
6	801635	Tubing	Models PF3JGBJG403UG06, PF3JGBJP403UG06, SFNNCAJP113TW01 and SFNNYAJP113TW01
7	802292	Nut	Models PF3JGBJG403UG06, PF3JGBJP403UG06, SFNNCAJP113TW01 and SFNNYAJP113TW01
8	F170208	O-Ring	Models PF3JGBJG403UG06, PF3JGBJP403UG06, SFNNCAJP113TW01 and SFNNYAJP113TW01
9	804717	Detergent Hose	
10	685725	Hose Clamp	
11	803698	Dispenser Assembly	
12	803667	Dispenser Drawer	
13	800548	Screw	
14	804227WP	Dispenser Handle	White
	804227B	Dispenser Handle	Black
	804526	Dispenser Handle	Light gray
15	803669	Compartment Cover	

Mixing Valve and Dispenser Hose

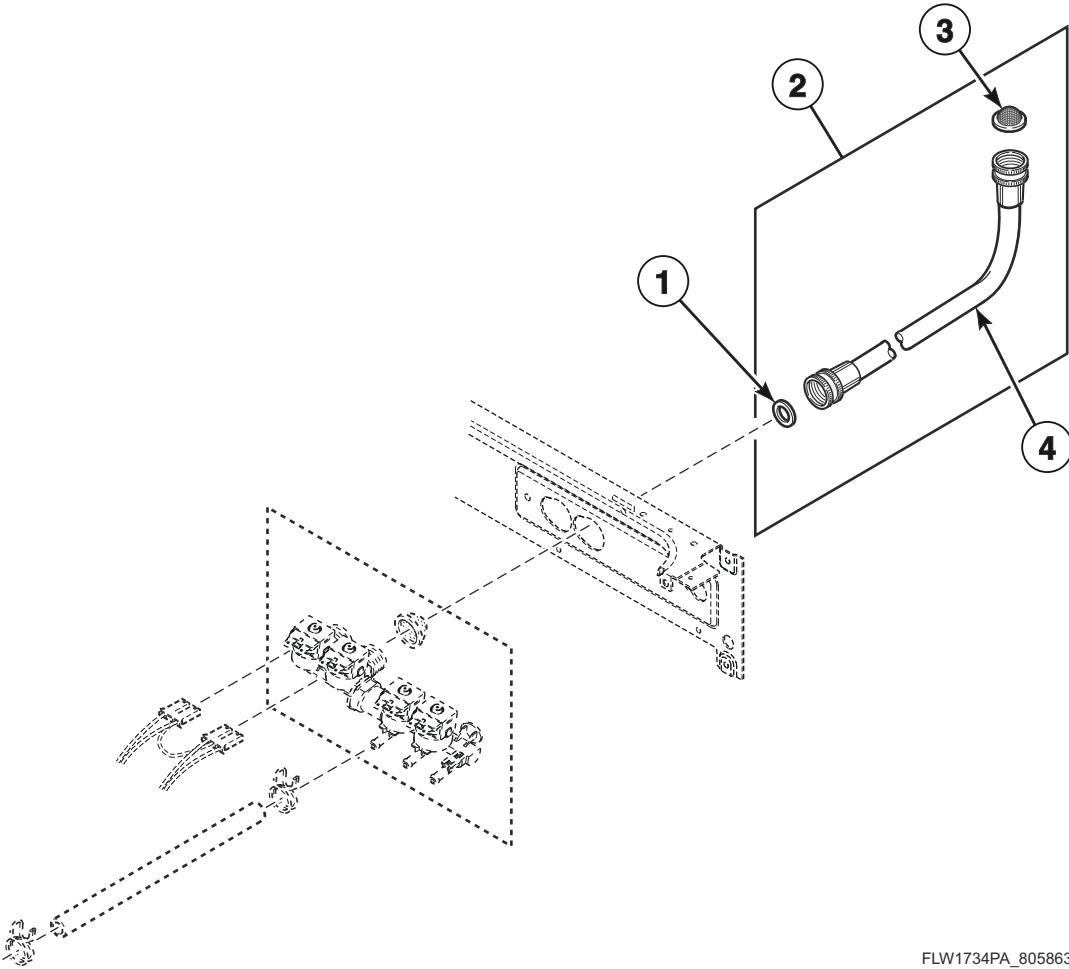


FLW1734P_805863

Mixing Valve and Dispenser Hose

REF	PART NO.	DESCRIPTION	COMMENTS
	804783	Mixing Valve Shield	Models BF3JGBSG403UN01, BF3JGBSG403UW01, BF3JGBSP403UN01, BF3JGBSP403UW01, BF3JLBSG403UN01, BF3JLBSG403UW01, BF3JLBSP403UN01, BF3JLBSP403UW01, BF3JXASG403UN01, BF3JXASP403UN01, BF3JXASP403UW01, HFNNXASP123DW01, HFNNXASP543DW01, JF3JEASP413EW06, JF3JGBSP413EW06, JF3JMBSG413EN06, JFNJEASG303EW06, JFNJEASP303EW06, NF3JGBSP403SW01, NF3JLBSG403UN01, NF3JLBSG403UT01, NF3JLBSG403UT06, NF3JLBSP403NN22, NF3JLBSP403NW22, NF3JLBSP403UN01, NF3JLBSP403UT01, NF3JLBSP403UT06, NF3JLBSP403UW01, NF3JXASG403UN01, NF3JXASG403UW01, NF3JXASP403NW22, NF3JXASP403UN01, NF3JXASP403UW01, NF3JXASP403UW06, NF3JYASG403UW01, PF3JGBJG403UG06, PF3JGBJP403UG06, PF3JGBSG403UG06, PF3JGBSP403UG06, PF3JXASG403UG06, PF3JXASP403UG06, PFNXXASG303UG06, PFNXXASG543ZG01, PFNXXASP303UG06, PFNXXASP543ZG01, SFNNXASG113JW01, SFNNXASP123DW01, SFNNXASP303AN01, SFNNXASP303AN12, SFNNXASP303AW01, SFNNXASP303AW12, SFNNXASP543DW01, SFNNXRSP543NW23 and TF3JXASP403NW22
1	804173	Hose Clamp	
2	803849	Dispenser Inlet Hose	
3	803838	Mixing Valve	240 Volt
	803809	Mixing Valve	120 Volt
4	24122	Mixing Valve Screen	

Fill Hose

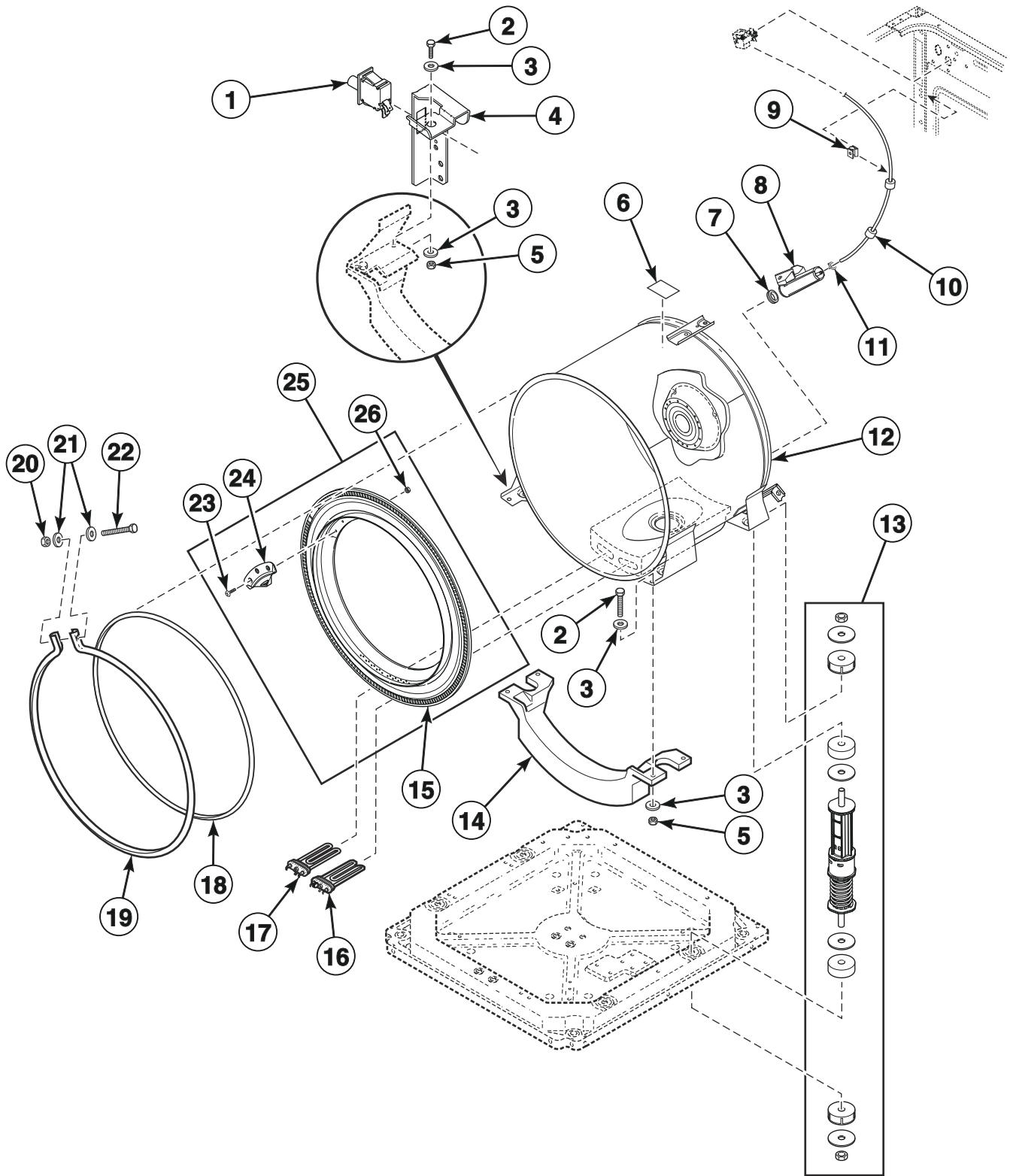


FLW1734PA_805863

Fill Hose

REF	PART NO.	DESCRIPTION	COMMENTS
1	20290	Washer	
2	F200116	Water Hose	5 feet; Hose is equipped with 2 standard hose couplings; Includes items 1, 3 and 4; Models HFNNEASP113CW01, HFNNERSP113CW01, HFNNXASP113CN01, HFNNXASP113CW01, HFNNXRSP113CW01, HFNNYASP113CW01, HFNNYRSP113CW01, SFNNCAJP113TW01, SFNNCASG113TN01, SFNNCASG113TQ01, SFNNCASG113TW01, SFNNCASP113TN01, SFNNCASP113TQ01, SFNNCASP113TW01, SFNNCRSP113TW01, SFNNCRSP113TW02, SFNNXASG113TW01, SFNNXASP113TN01, SFNNXASP113TW01, SFNNXRSP113TW02, SFNNYAJP113TW01, SFNNYASG113TN01, SFNNYASG113TW01, SFNNYASP113TN01, SFNNYASP113TW01, SFNNYBSP113TN01, SFNNYBSP113TW01, SFNNYRSP113TW01, SFNWCASG113TN01, SFNWCASP113TN01, SFNXYASG113TN01, SFNXYASP113TN01, SFNXYASP113TW01 and SFNXYRSP113TW01
3	803615	Washer	Filter screen
	802254	Washer	Flow restrictor; Water pressure reducer; Available for water pressure up to but not exceeding 120 psi
4	202799	Fill Hose	4 feet; Hose is equipped with 2 standard hose couplings; Models HFNNXASP123DW01, HFNNXASP543DW01, SFNNXASP123DW01 and SFNNXASP543DW01
	F8498701	Fill Hose	5 feet; Hose is equipped with 2 standard hose couplings; Models HFNNXASP123DW01, HFNNXASP543DW01, SFNNXASP123DW01 and SFNNXASP543DW01
	20617	Fill Hose	8 feet; Hose is equipped with 2 standard hose couplings; Models HFNNEASP113CW01, HFNNERSP113CW01, HFNNXASP113CN01, HFNNXASP113CW01, HFNNXRSP113CW01, HFNNYASP113CW01, HFNNYRSP113CW01, SFNNCAJP113TW01, SFNNCASG113TN01, SFNNCASG113TQ01, SFNNCASG113TW01, SFNNCASP113TN01, SFNNCASP113TQ01, SFNNCASP113TW01, SFNNCRSP113TW01, SFNNCRSP113TW02, SFNNXASG113TW01, SFNNXASP113TN01, SFNNXASP113TW01, SFNNXRSP113TW02, SFNNYAJP113TW01, SFNNYASG113TN01, SFNNYASG113TW01, SFNNYASP113TN01, SFNNYASP113TW01, SFNNYBSP113TN01, SFNNYBSP113TW01, SFNNYRSP113TW01, SFNWCASG113TN01, SFNWCASP113TN01, SFNXYASG113TN01, SFNXYASP113TN01, SFNXYASP113TW01 and SFNXYRSP113TW01
	20618	Fill Hose	10 feet; Hose is equipped with 2 standard hose couplings; Models HFNNEASP113CW01, HFNNERSP113CW01, HFNNXASP113CN01, HFNNXASP113CW01, HFNNXRSP113CW01, HFNNYASP113CW01, HFNNYRSP113CW01, SFNNCAJP113TW01, SFNNCASG113TN01, SFNNCASG113TQ01, SFNNCASG113TW01, SFNNCASP113TN01, SFNNCASP113TQ01, SFNNCASP113TW01, SFNNCRSP113TW01, SFNNCRSP113TW02, SFNNXASG113TW01, SFNNXASP113TN01, SFNNXASP113TW01, SFNNXRSP113TW02, SFNNYAJP113TW01, SFNNYASG113TN01, SFNNYASG113TW01, SFNNYASP113TN01, SFNNYASP113TW01, SFNNYBSP113TN01, SFNNYBSP113TW01, SFNNYRSP113TW01, SFNWCASG113TN01, SFNWCASP113TN01, SFNXYASG113TN01, SFNXYASP113TN01, SFNXYASP113TW01 and SFNXYRSP113TW01
	202800	Fill Hose	4 feet; Hose is equipped with 1 standard and 1 BSPP coupling; All other models
	202931	Fill Hose	10 feet; Hose is equipped with 1 standard and 1 BSPP coupling; All other models
	F8498901	Fill Hose	5 feet; Hose is equipped with 1 standard and 1 BSPP coupling; All other models

Outer Tub, Clamp Ring and Shock Absorbers

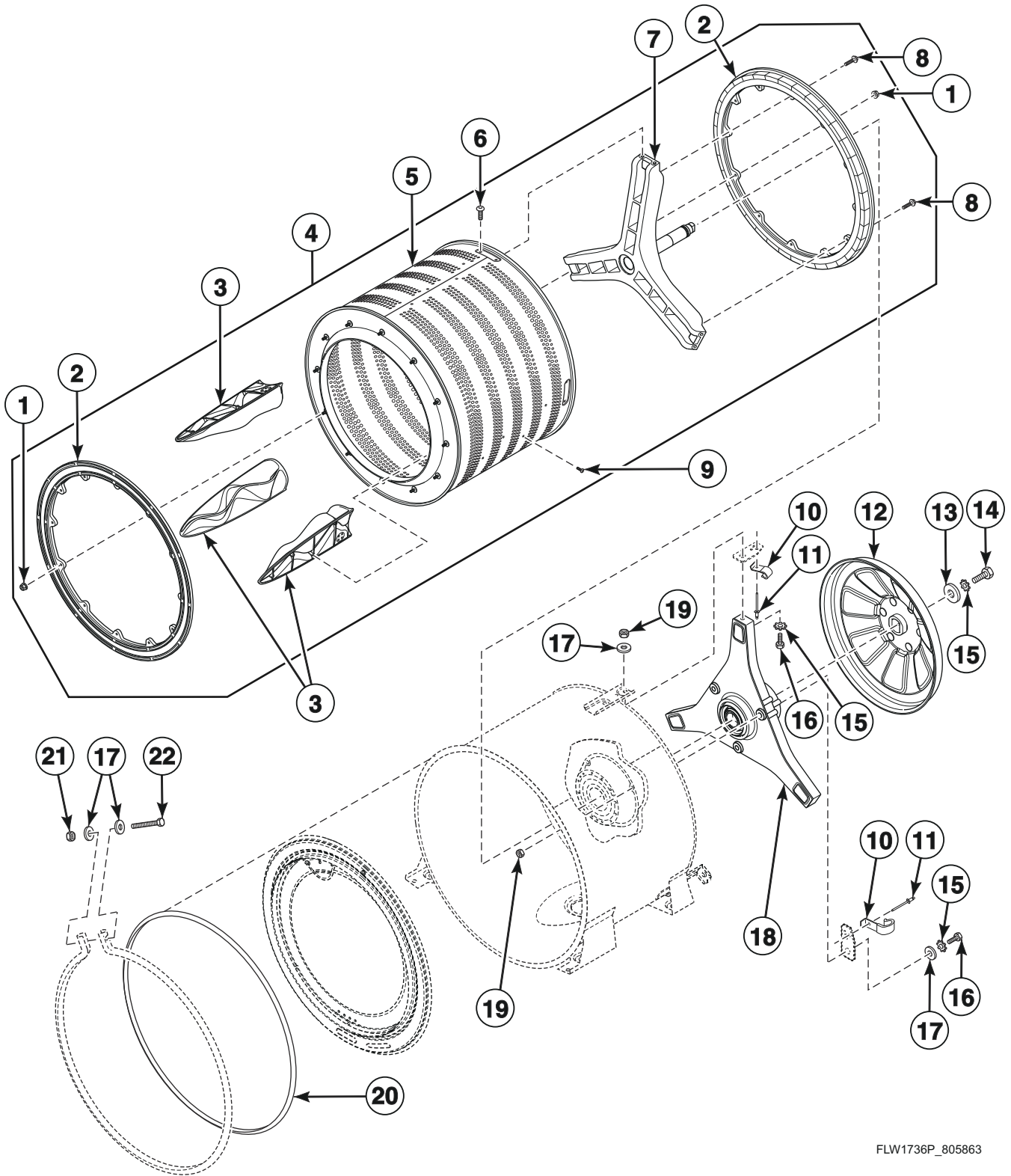


FLW1743P_805863

Outer Tub, Clamp Ring and Shock Absorbers

REF	PART NO.	DESCRIPTION	COMMENTS
1	803415	Out-of-Balance Switch Assembly	
2	800461	Screw	
3	804458	Washer	
4	804457	Out-of-Balance Switch Bracket	
5	800452	Nut	
6	500049	Warning Label	
7	29175	Grommet	
8	803837	Pressure Bulb	
9	36985	Hose Clip	
10	804483	Pressure Sensor Tube Assembly	
11	803891	Hose Clamp	
12	803865	Outer Tub Assembly	With heater
	803864	Outer Tub Assembly	Without heater
13	803777	Shock Assembly	Must replace all 4
14	803810	Counterweight	
15	803770	Tub Front	
16	804777P	Heating Element	Includes thermistor; With heater
17	804778P	Heating Element	With heater
18	803801	Tub Front Seal	
19	803802	Clamp Ring	
20	F430218	Nut	
21	M400081	Washer	8 required
22	800462	Screw	
23	802596	Screw	
24	804467	Clothes Guard Deflector	
	804482	Clothes Guard Deflector	Heavy duty
25	803879	Tub Front Assembly	
26	802343	Nut	

Inner Basket, Trunnion, Bearing Housing and Pulley

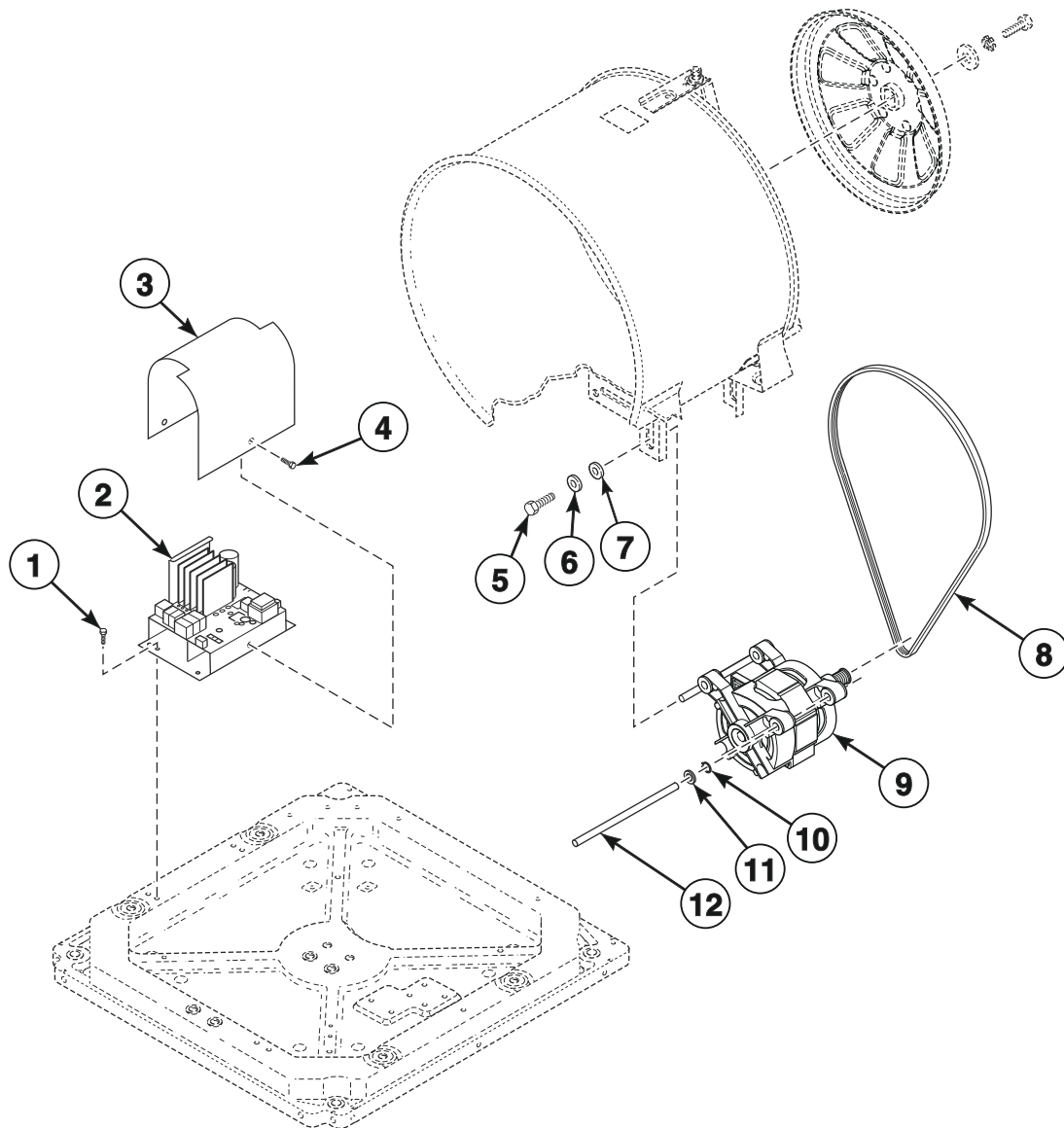


FLW1736P_805863

Inner Basket, Trunnion, Bearing Housing and Pulley

REF	PART NO.	DESCRIPTION	COMMENTS
	27604P	Anti-Seize Compound	Pulley to inner basket shaft
1	804418	Nut	
2	804393	Balance Ring Assembly	
3	804382	Lifter	
4	805485	Inner Basket Assembly	Models SFNNXASP303AN12 and SFNNXASP303AW12
	804376	Inner Basket Assembly	All other models
5	804374	Inner Basket Assembly	
6	804398	Screw	
7	804405	Trunnion Assembly	
8	804399	Screw	
9	800548	Screw	
10	800553	Hose Clip	
11	685847	Pop Rivet	
12	803974	Pulley Assembly	
13	800464	Washer	
14	685831	Screw	Left hand thread
15	M403958	Washer	
16	M400043	Screw	
17	800457	Washer	
18	803684P	Bearing Housing Assembly	
19	800452	Nut	
20	800432P	Tub Front Seal	
21	F430218	Nut	
22	800462	Screw	

Motor and Belt



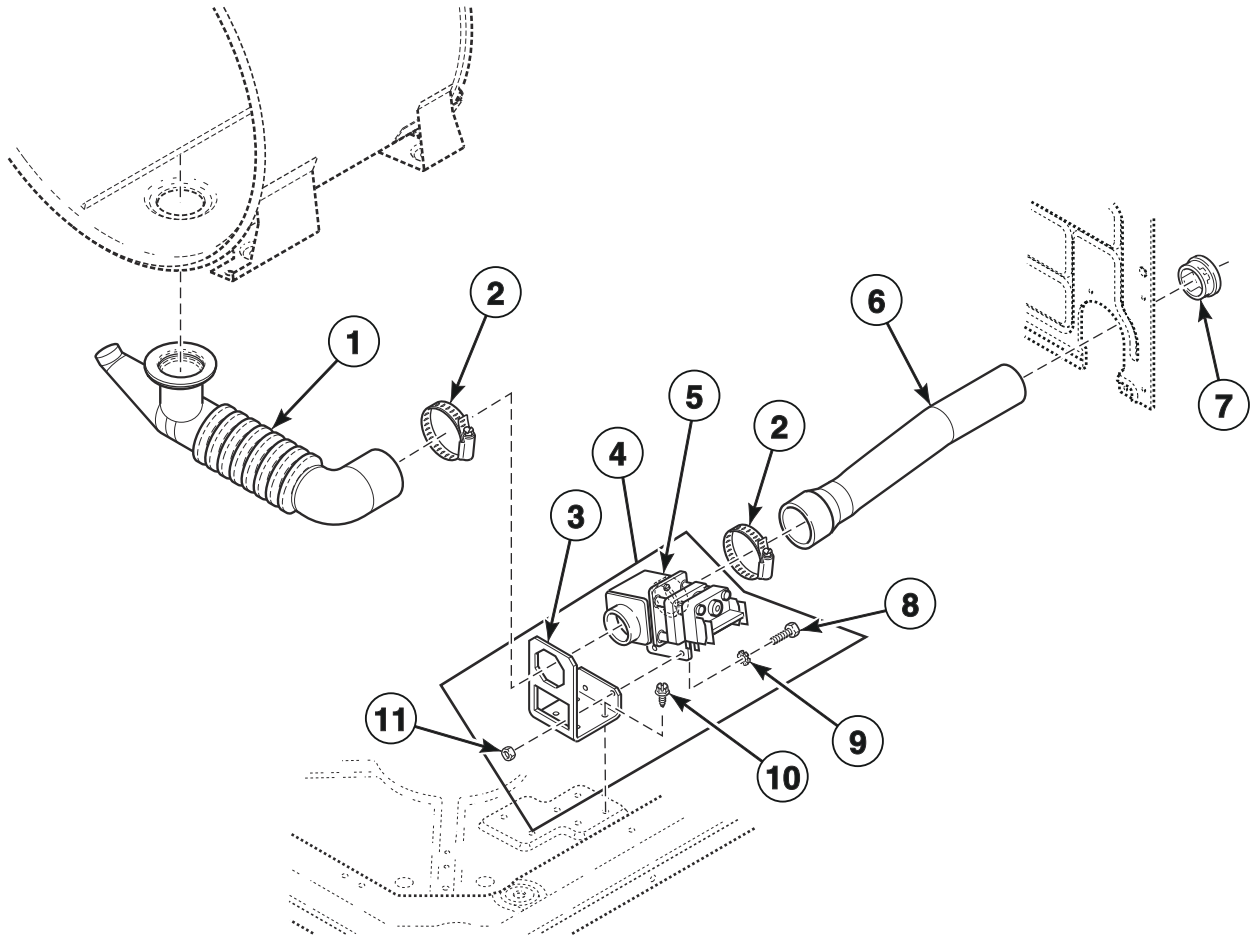
FLW1735P_805863

Motor and Belt

REF	PART NO.	DESCRIPTION	COMMENTS
1	503661	Screw	
2	803949P	Inverter Control Assembly	
	804232P	Inverter Harness Assembly	
3	804792	Motor Control Shield	Models BF3JGBSG403UN01, BF3JGBSG403UW01, BF3JGBSP403UN01, BF3JGBSP403UW01, BF3JLBSG403UN01, BF3JLBSG403UW01, BF3JLBSP403UN01, BF3JLBSP403UW01, BF3JXASG403UN01, BF3JXASP403UN01, BF3JXASP403UW01, HFNNXASP123DW01, HFNNXASP543DW01, JF3JEASP413EW06, JF3JGBSP413EW06, JF3JMBSG413EN06, JFNJEASG303EW06, JFNJEASP303EW06, NF3JGBSP403SW01, NF3JLBSG403UN01, NF3JLBSG403UT01, NF3JLBSG403UT06, NF3JLBSP403NN22, NF3JLBSP403NW22, NF3JLBSP403UN01, NF3JLBSP403UT01, NF3JLBSP403UT06, NF3JLBSP403UW01, NF3JXASG403UN01, NF3JXASG403UW01, NF3JXASP403NW22, NF3JXASP403UN01, NF3JXASP403UW01, NF3JXASP403UW06, NF3JYASG403UW01, PF3JGBJG403UG06, PF3JGBJP403UG06, PF3JGBSG403UG06, PF3JGBSP403UG06, PF3JXASG403UG06, PF3JXASP403UG06, PFNXXASG303UG06, PFNXXASG543ZG01, PFNXXASP303UG06, PFNXXASP543ZG01, SFNNXASG113JW01, SFNNXASP123DW01, SFNNXASP303AN01, SFNNXASP303AN12, SFNNXASP303AW01, SFNNXASP303AW12, SFNNXASP543DW01, SFNNXRSP543NW23 and TF3JXASP403NW22
	804878	Motor Control Shield	All other models
4	501524	Screw	
5	M400057	Screw	
6	02834	Washer	
7	M400080	Washer	
8	804985	Drive Belt	
9	803885	Motor	
10	23748	Retaining Ring	
11	52549	Washer	
12	803861	Motor Rod	

Drain Hoses and Valve

Gravity Drain

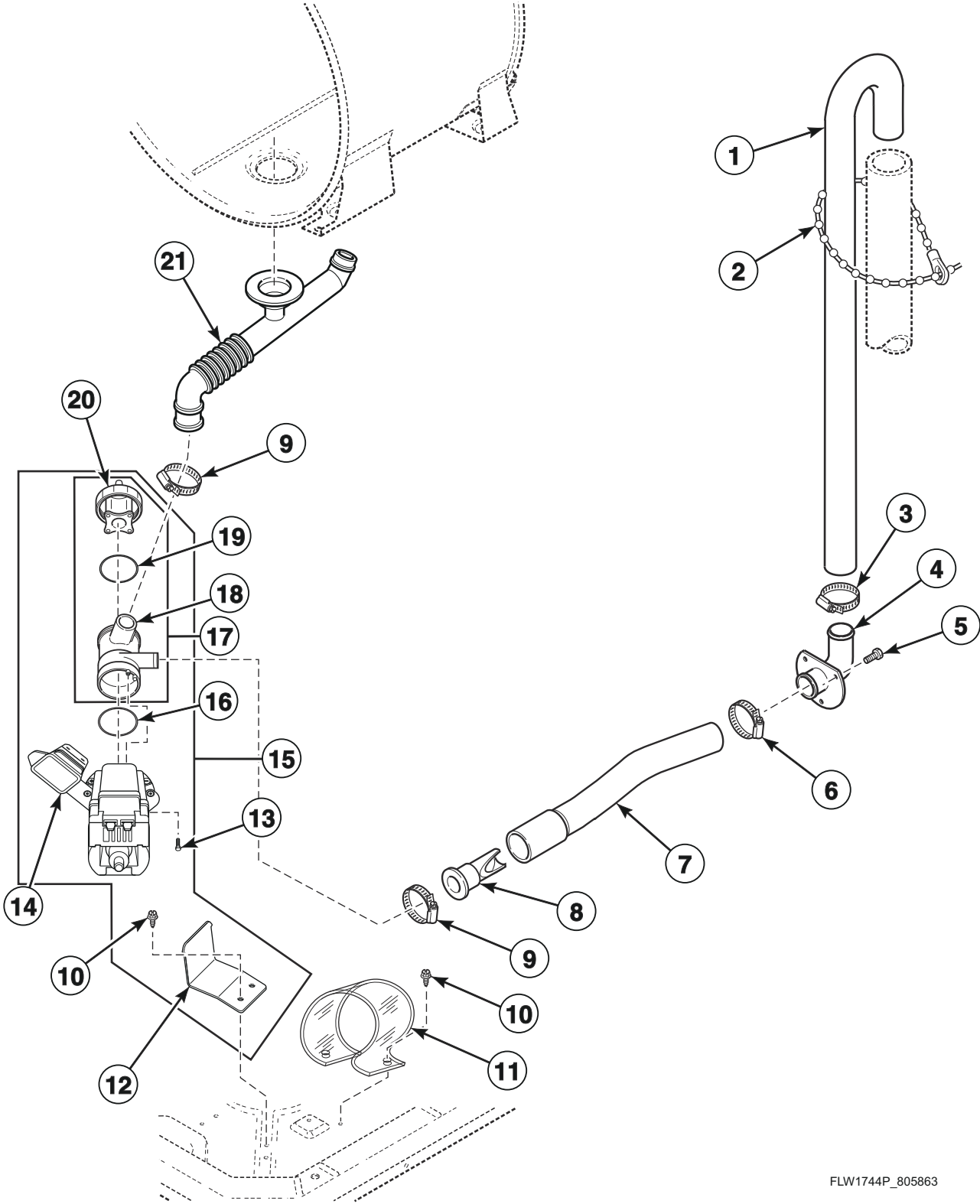


FLW1745P_805863

Drain Hoses and Valve

REF	PART NO.	DESCRIPTION	COMMENTS
1	803873	Tub-to-Drain Hose	With heater
	803874	Tub-to-Gravity Drain Hose	Without heater
	27615P	Sealant	Tub-to-drain hose to outer tub
2	685725	Hose Clamp	
3	803291	Gravity Drain Bracket	
4	F976P3	Drain Valve Kit	240 Volt; Includes items 3, 5 and 8-11
	F975P3	Drain Valve Kit	120 Volt; Includes items 3, 5 and 8-11
5	803292	Gravity Drain Valve	240 Volt
	803293	Drain Valve	120 Volt
6	800903	Drain-to-Cabinet Hose	
7	503235	Snap Bushing	
8	02916	Screw	
9	M400017	Washer	
10	503661	Screw	
11	29786	Nut	

Drain Hose and Pump

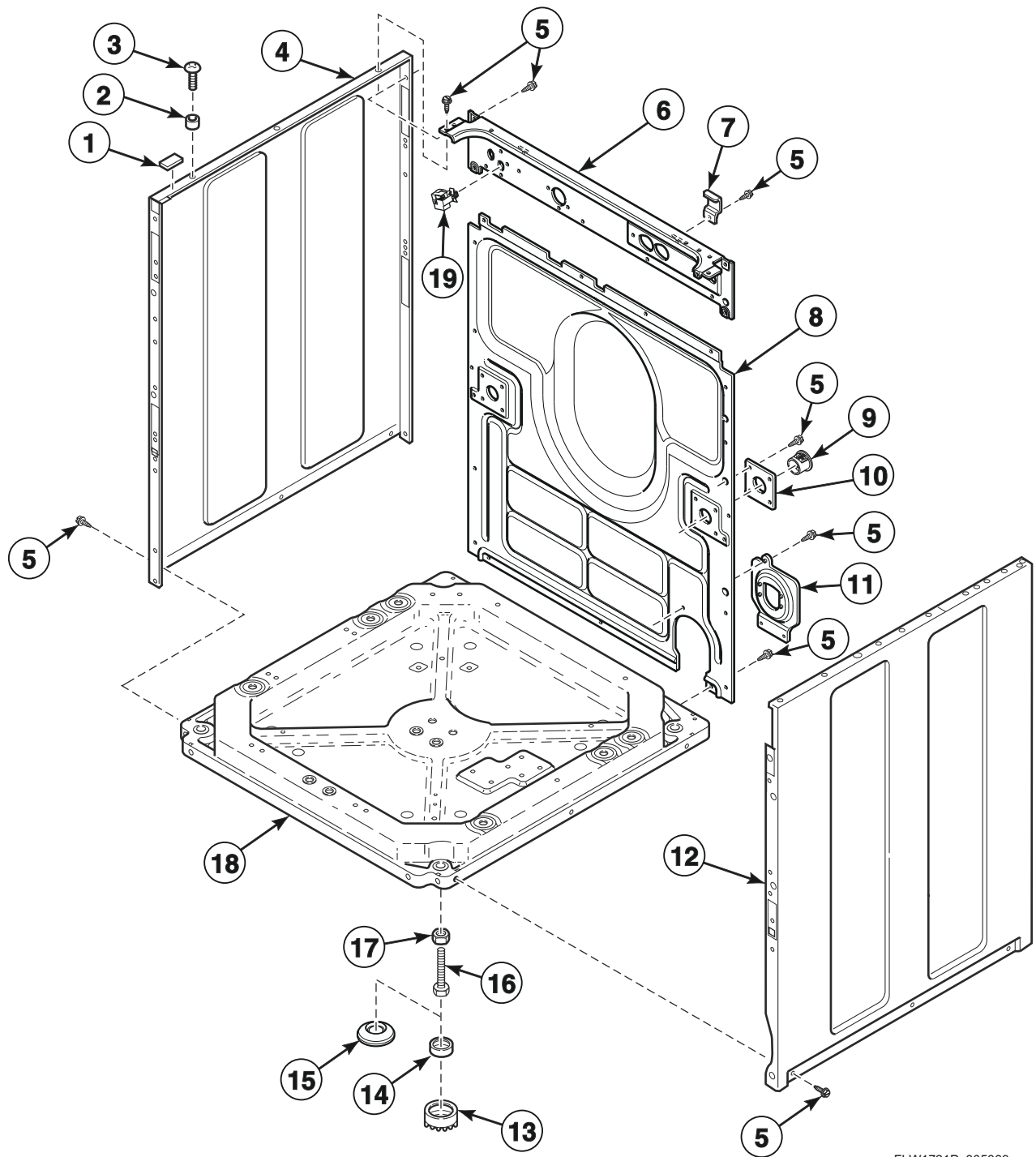


FLW1744P_805863

Drain Hose and Pump

REF	PART NO.	DESCRIPTION	COMMENTS
1	27154	Drain Hose	
2	33489	Standpipe Strap	
3	20211	Hose Clamp	
4	35766	Drain Hose Elbow	
5	52909	Screw	
6	20391	Hose Clamp	
7	803734	Pump-to-Elbow Hose	
8	800310	Backflow Preventer	
9	F200204	Hose Clamp	
10	503661	Screw	
11	805561	Drain Pump Drip Shield	Models BF3JGBSG403UN01, BF3JGBSG403UW01, BF3JGBSP403UN01, BF3JGBSP403UW01, BF3JLBSG403UN01, BF3JLBSG403UW01, BF3JLBSP403UN01, BF3JLBSP403UW01, BF3JXASG403UN01, BF3JXASP403UN01, BF3JXASP403UW01, HFNNXASP123DW01, HFNNXASP543DW01, JF3JEASP413EW06, JF3JGBSP413EW06, JF3JMBSG413EN06, JFNJEASG303EW06, JFNJEASP303EW06, NF3JGBSP403SW01, NF3JLBSG403UN01, NF3JLBSG403UT01, NF3JLBSG403UT06, NF3JLBSP403NN22, NF3JLBSP403NW22, NF3JLBSP403UN01, NF3JLBSP403UT01, NF3JLBSP403UT06, NF3JLBSP403UW01, NF3JXASG403UN01, NF3JXASG403UW01, NF3JXASP403NW22, NF3JXASP403UN01, NF3JXASP403UW01, NF3JXASP403UW06, NF3JYASG403UW01, PF3JGBJG403UG06, PF3JGBJP403UG06, PF3JGBSG403UG06, PF3JGBSP403UG06, PF3JXASG403UG06, PF3JXASP403UG06, PFNXXASP303UG06, PFNXXASP543ZG01, PFNXXASP303UG06, PFNXXASP543ZG01, SFNNXASG113JW01, SFNNXASP123DW01, SFNNXASP303AN01, SFNNXASP303AN12, SFNNXASP303AW01, SFNNXASP303AW12, SFNNXASP543DW01, SFNNXRSP543NW23 and TF3JXASP403NW22
12	803814	Drain Base Bracket	
13	802431	Screw	
14	803815	Drain Pump Isolator	
15	805722P	Drain Pump Assembly	208-240 Volt/60 Hertz; Includes items 12-14 and 16-20
	803921P	Drain Pump Assembly	120 Volt/60 Hertz; Includes items 12-14 and 16-20
	803922	Drain Pump Assembly	220-240 Volt/50 Hertz; Includes items 12-14 and 16-20
	805724P	Drain Pump Assembly	100-127 Volt/60 Hertz; Includes items 12-14 and 16-20
16	802429P	O-Ring	
17	802434P	Pump Housing Assembly	Includes items 18-20
18	802428	Pump Housing	
19	802427	Gasket	
20	802426P	Lid Assembly	Includes filter
21	803816	Tub-to-Pump Hose	With heater
	803829	Tub-to-Pump Hose	Without heater
	27615P	Sealant	Tub-to-pump hose to outer tub

Side, Base and Rear Panels



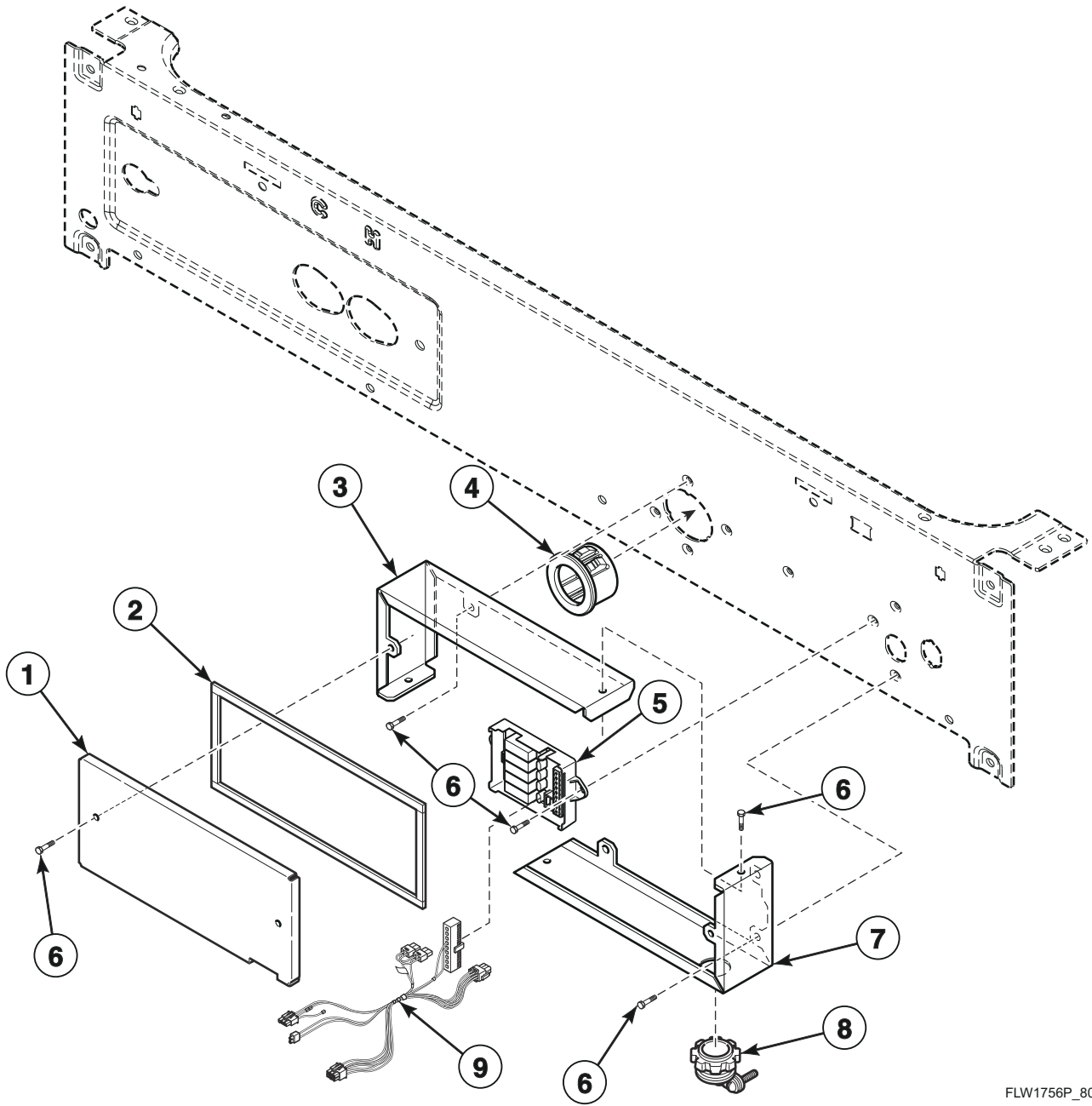
FLW1721P_805863

Side, Base and Rear Panels

REF	PART NO.	DESCRIPTION	COMMENTS
1	36226	Bumper Pad	
2	56079	Panel Locator	
3	39733	Screw	
4	800004WP	Cabinet Panel Kit	White; Left; Includes corner gusset with hardware
	800004QP	Cabinet Panel Kit	Bisque; Left; Includes corner gusset with hardware
	800004DG	Cabinet Side Panel	Dark gray; Left
5	503661	Screw	
6	803790	Rear Panel	Fixed
7	510136	Top Hinge	
8	803789	Rear Panel	Removable
9	803859	Shipping Plug	
10	803851	Shipping Plate	
11	803833	Gravity Drain Bracket	
	803828	Drain Hose Bracket	
12	800005DG	Side Panel	Dark gray; Right
	800005W	Cabinet Right Panel	White; Right
	800005Q	Cabinet Right Panel	Bisque; Right
13	501855	Rubber Foot	Use to prevent movement on smooth surface floor coverings; Install over 2 existing front rubber feet (item 14)
14	34318	Rubber Foot	
15	155P3	Anchor	Includes 4 rubber discs with adhesive backing
	802844P	Anchor Floor Mount Assembly	Includes 2 rubber discs with adhesive backing
16	34319	Leveling Leg	
17	21899	Nut	
18	803876	Base Assembly	
19	202470	Pressure Sensor	

Junction Box

Models PF3JGBJG403UG06, PF3JGBJP403UG06, SFNNCAJP113TW01 and SFNNYAJP113TW01



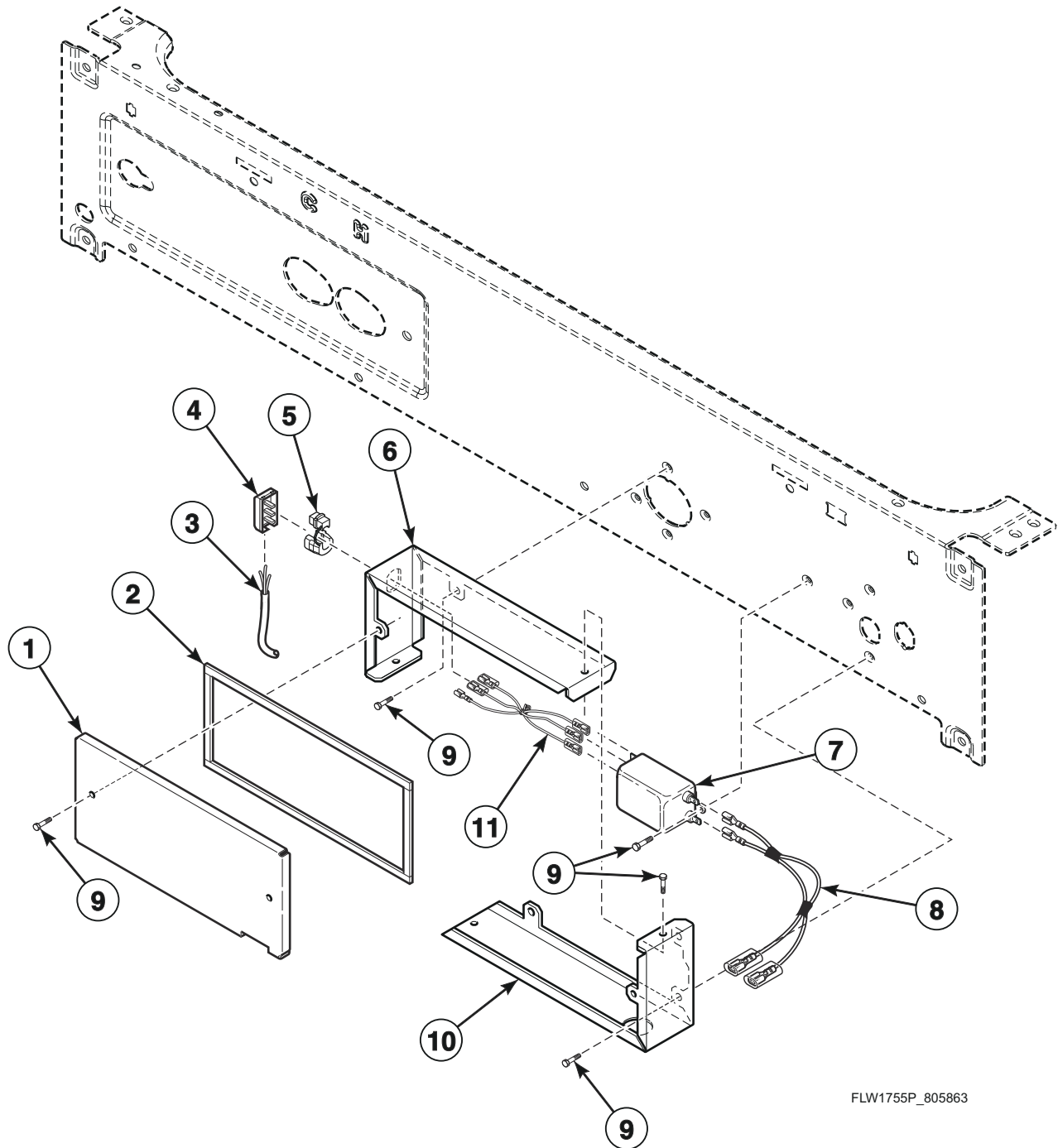
FLW1756P_805863

Junction Box

REF	PART NO.	DESCRIPTION	COMMENTS
1	803820	Junction Box Cover	
2	803832	Junction Box Seal	
3	803827	Junction Box	Upper
4	M402542	Snap Bushing	
5	804528	Chemical Injection Control	
6	503661	Screw	
7	804561	Junction Box	Lower
8	M400149	Connector	
9	804799	Supply Injection Wire Harness Assembly	

Junction Box and Power Cord

Models BF3JGBSG403UN01, BF3JGBSG403UW01, BF3JGBSP403UN01, BF3JGBSP403UW01, BF3JLBSG403UN01, BF3JLBSG403UW01, BF3JLBSP403UN01, BF3JLBSP403UW01, BF3JXASG403UN01, BF3JXASP403UN01, BF3JXASP403UW01, HFNNXASP123DW01, HFNNXASP543DW01, JF3JEASP413EW06, JF3JGBSP413EW06, JF3JMBSG413EN06, JFNJEASG303EW06, JFNJEASP303EW06, NF3JGBSP403SW01, NF3JLBSG403UN01, NF3JLBSG403UT01, NF3JLBSG403UT06, NF3JLBSP403NN22, NF3JLBSP403NW22, NF3JLBSP403UN01, NF3JLBSP403UT01, NF3JLBSP403UT06, NF3JLBSP403UW01, NF3JXASG403UN01, NF3JXASG403UW01, NF3JXASP403NW22, NF3JXASP403UN01, NF3JXASP403UW01, NF3JXASP403UW06, NF3JYASG403UW01, PF3JGBJG403UG06, PF3JGBJP403UG06, PF3JGBSG403UG06, PF3JGBSP403UG06, PF3JXASG403UG06, PF3JXASP403UG06, PFNXXASG303UG06, PFNXXASG543ZG01, PFNXXASP303UG06, PFNXXASP543ZG01, SFNNXASG113JW01, SFNNXASP123DW01, SFNNXASP303AN01, SFNNXASP303AN12, SFNNXASP303AW01, SFNNXASP303AW12, SFNNXASP543DW01, SFNNXRSP543NW23 and TF3JXASP403NW22

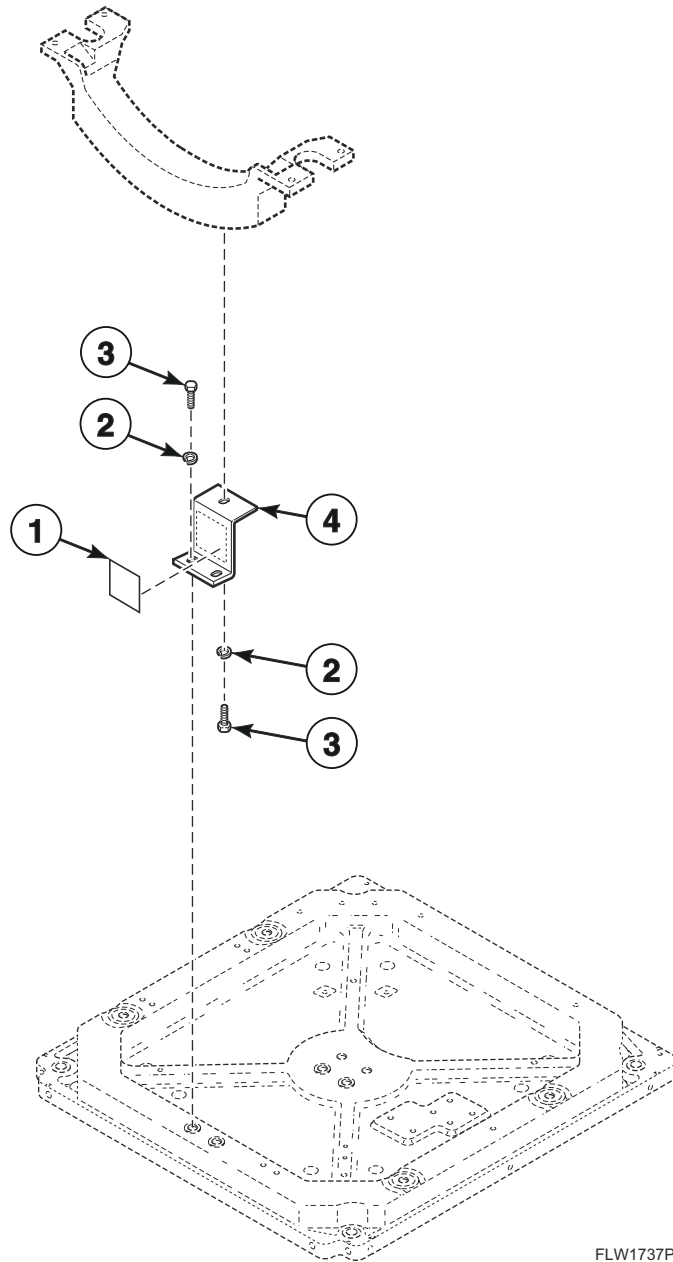


FLW1755P_805863

Junction Box and Power Cord

REF	PART NO.	DESCRIPTION	COMMENTS
1	803820	Junction Box Cover	
2	803832	Junction Box Seal	
3	39931	Power Cord Assembly	Models SFNNXASP303AN01, SFNNXASP303AN12, SFNNXASP303AW01 and SFNNXASP303AW12
	801450	Power Cord Assembly	Models PFNJXASG303UG06, PFNJXASG543ZG01, PFNJXASP303UG06, PFNJXASP543ZG01 and SFNNXRSP543NW23
	202624	Power Cord Assembly	Model SFNNXASG113JW01
	804556	Lead-In Cord Assembly	Models HFNNXASP123DW01, HFNNXASP543DW01, SFNNXASP123DW01 and SFNNXASP543DW01
	805762	Power Cord Assembly	Models JF3JEASP413EW06, JF3JGBSP413EW06, JF3JMBSG413EN06, JFNJEASG303EW06 and JFNJEASP303EW06
	805761	Power Cord Assembly	All other models
4	39922	Cable Connection Box	
5	38384	Strain Relief	
6	804559	Junction Box	Upper; Model SFNNXASG113JW01
	803818	Junction Box	Upper; All other models
7	805633	Line Filter	Model SFNNXRSP543NW23
8	804396	Jumper Harness	Filter to main harness; Model SFNNXRSP543NW23
9	503661	Screw	
10	803819	Junction Box	Lower
11	804805	Filter Jumper Harness	Filter to terminal block

Shipping Materials

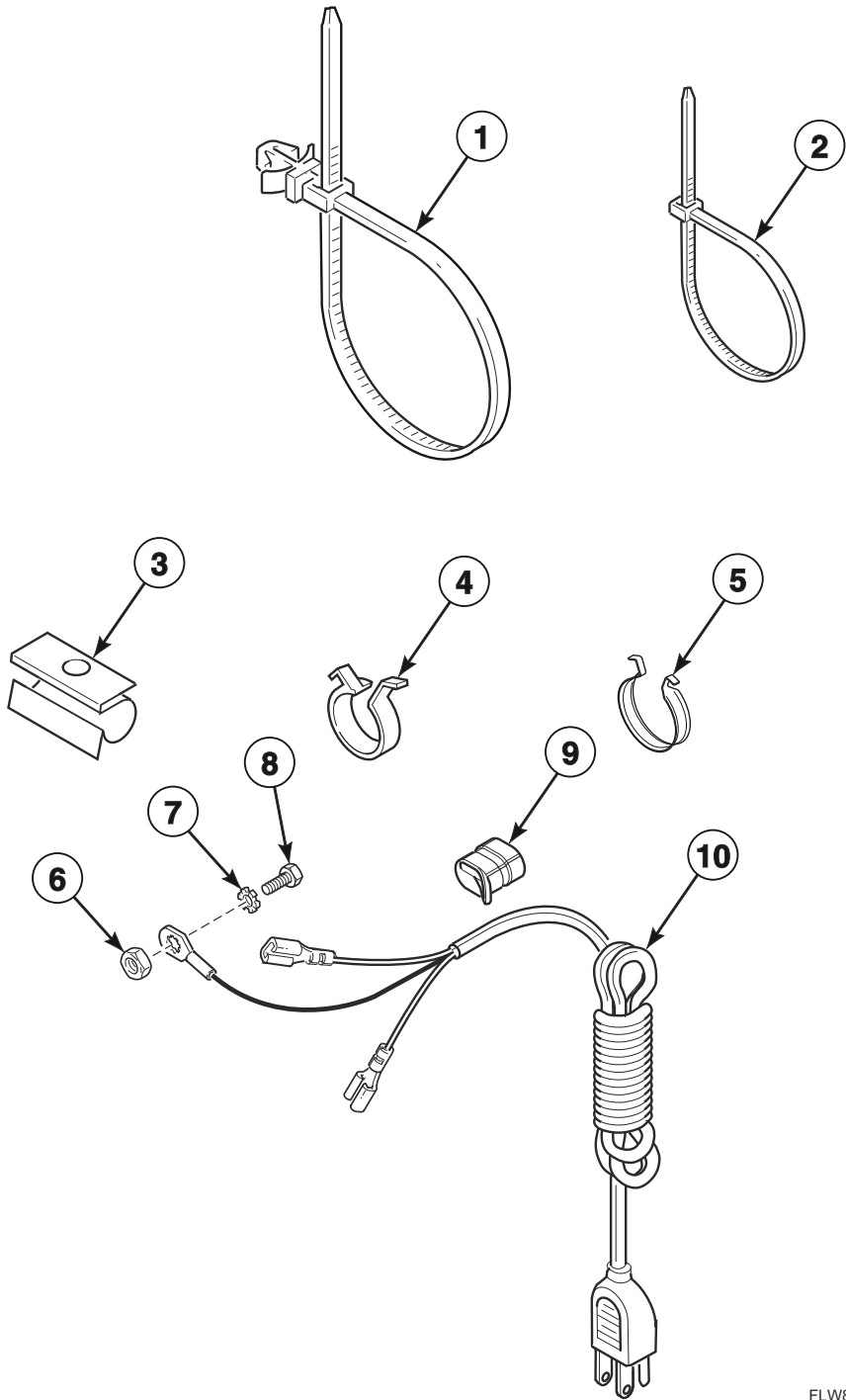


FLW1737P_805863

Shipping Materials

REF	PART NO.	DESCRIPTION	COMMENTS
	800462	Screw	
	803858	Shipping Spacer	
	800624	Washer	
1	804488	Label	Shipping brace
2	M400014	Washer	
3	M400043	Screw	
4	804454	Shipping Brace	

Wire Ties, Harness Clips and Lead-In Cord

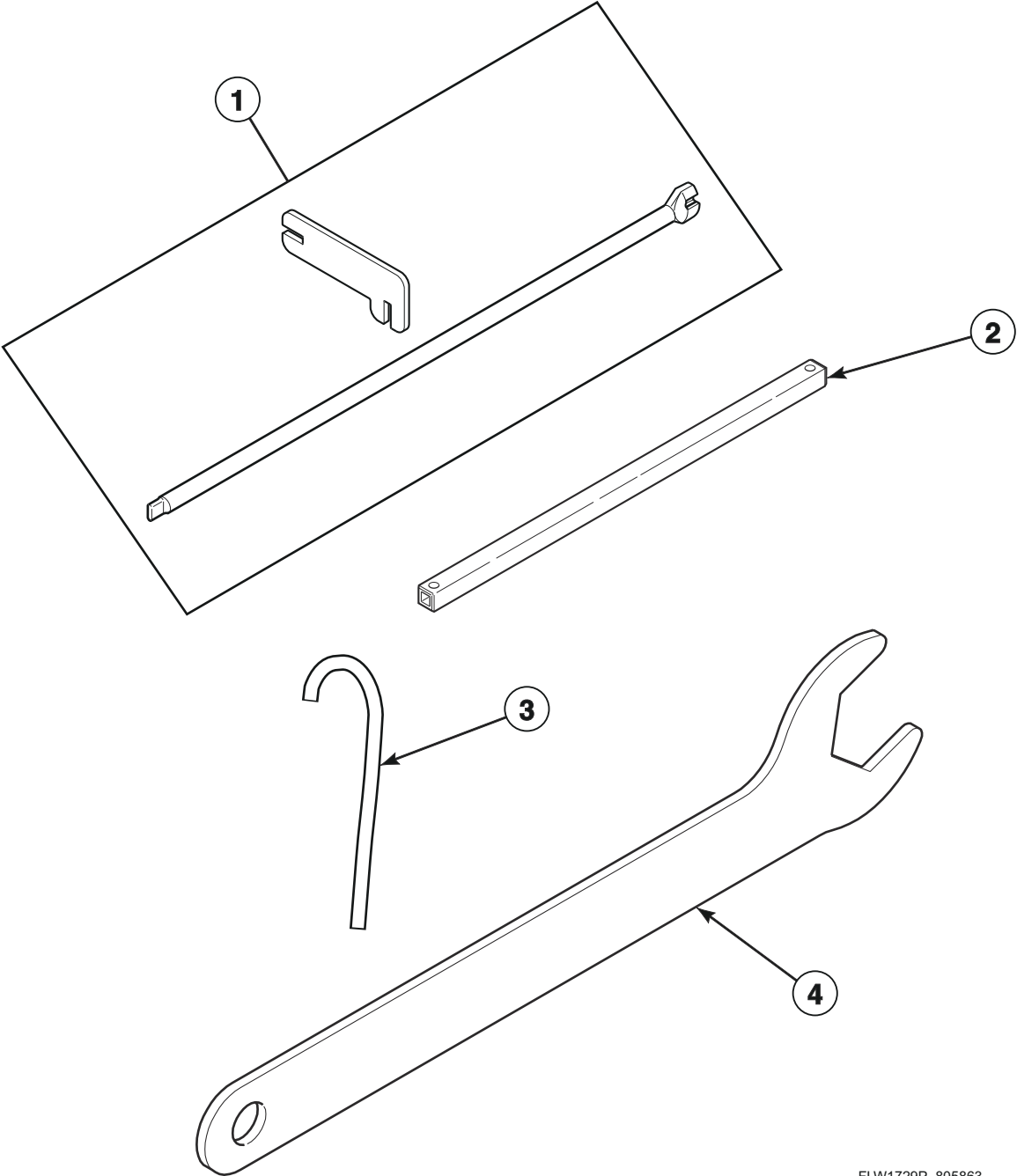


FLW823P_805863

Wire Ties, Harness Clips and Lead-In Cord

REF	PART NO.	DESCRIPTION	COMMENTS
1	38663	Wire Tie	
2	55881	Harness Strap	
3	36985	Hose Clip	
4	504034	Wire Clip	Small
5	687500	Wire Clip	Large
6	03673	Nut	
7	03815	Washer	
8	20530	Screw	
9	38384	Strain Relief	
10	202777	Lead-In Cord	Models HFNNEASP113CW01, HFNNERSP113CW01, HFNNXASP113CN01, HFNNXASP113CW01, HFNNXRSP113CW01, HFNNYASP113CW01, HFNNYRSP113CW01, SFNNCAJP113TW01, SFNNCASG113TN01, SFNNCASG113TQ01, SFNNCASG113TW01, SFNNCASP113TN01, SFNNCASP113TQ01, SFNNCASP113TW01, SFNNCRSP113TW01, SFNNCRSP113TW02, SFNNXASG113TW01, SFNNXASP113TN01, SFNNXASP113TW01, SFNNXRSP113TW02, SFNNYAJP113TW01, SFNNYASG113TN01, SFNNYASG113TW01, SFNNYASP113TN01, SFNNYASP113TW01, SFNNYBSP113TN01, SFNNYBSP113TW01, SFNNYRSP113TW01, SFNWCASG113TN01, SFNWCASP113TN01, SFNWyASG113TN01, SFNWyASP113TN01, SFNWyASP113TW01 and SFNWYRSP113TW01

Special Tools

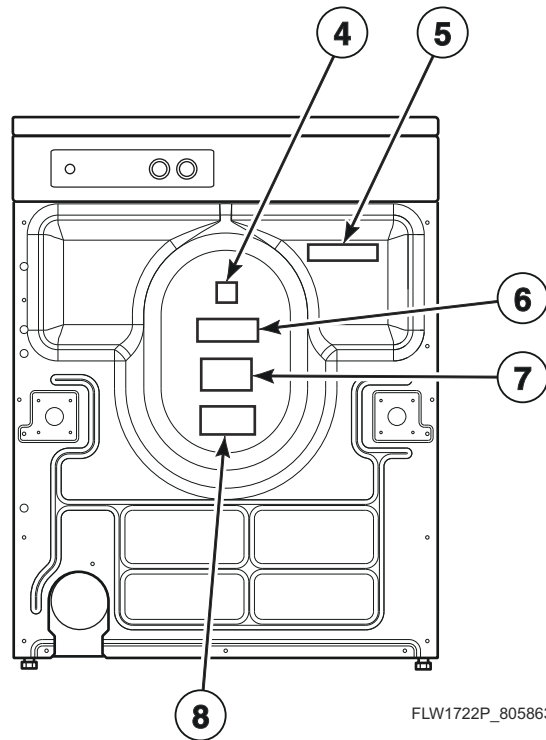
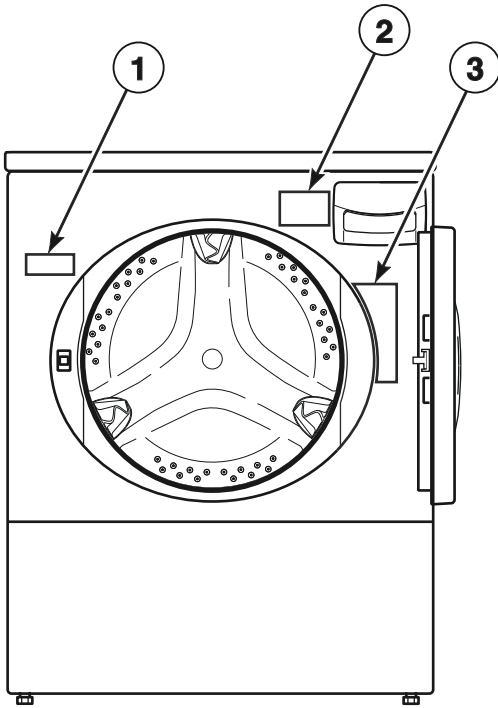


FLW1729P_805863

Special Tools

REF	PART NO.	DESCRIPTION	COMMENTS
1	CK096	Mounting Tool Kit	Use to install and remove electronic coin drop kits
2	310P4	Ratchet Extension Tool	1/4 inch; Use to install and remove non-electronic coin drops
3	802336	Pulley Bolt Tightening Fixture	Use to install inner basket
4	392P4	Wrench	Use for leveling leg locknuts

Washer Labels

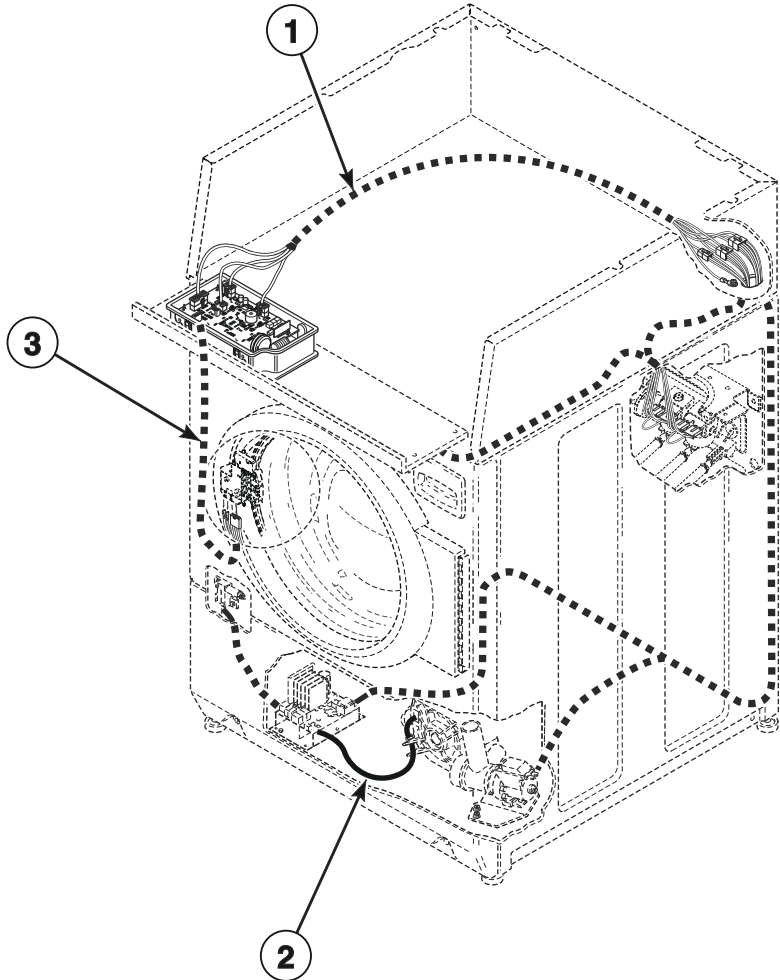


FLW1722P_805863

Washer Labels

REF	PART NO.	DESCRIPTION	COMMENTS
1	803011	Notice Label	
2	802074	Oversudsing Label	English
	802838	Oversudsing Label	Spanish
3	802367	Warning Label	Reduce Fire Risk
4	513371	Read Instructions Label	
5	505281	Disconnect Power Warning Label	English
	500316	Warning Label	English/French; Disconnect Power
	801706	Caution Label	Icon; Ground Machine
6	685928	Left Hand Thread Label	Text
	804949	Left Hand Thread Label	Icon
7	803260	Warning Label	Disconnect Power
	F8211201	Electrical Shock Label	Icon
8	500049	Warning Label	English
	500314	Warning Label	English/French
	F8211301	Pinched Fingers Label	Icon; Crush Hazard

Wire Harnesses and Wires



FLW1757P_805863

Wire Harnesses and Wires

REF	PART NO.	DESCRIPTION	COMMENTS
	45001	18 Gauge Wire	Black; Order wire by foot and terminals and connectors as required
	45380	12 Gauge Wire	Orange; Order wire by foot and terminals and connectors as required
	804433	Pressure Sensor Harness	
1	804345	Front Control Harness	Without heater
	804358	Rear Control Harness	
	804346	Heater Harness	With heater
2	804397	Motor Harness	
3	804348	Door Lock Harness Assembly	

NOTE: Individual wires are not available separately. Order complete harness, or order wire by the foot. When applying terminals to wires, it is recommended that the terminals be soldered to the wires.

Parts Index

A

Access Panel Assembly	
804617DG	33
804617Q	33
804617W	33
804618	33
Anchor	
155P3	51
Anchor Floor Mount Assembly	
802844P	51
Anti-Seize Compound	
27604P	43

B

Backflow Preventer	
800310	49
Balance Ring Assembly	
804393	43
Base Assembly	
803876	51
Bearing Housing Assembly	
803684P	43
Bolt	
02505	25
29651	7, 13, 21
32184	31
Bracket	
201918	31
510146	25, 27
Bumper Pad	
36226	21, 23, 51

C

Cabinet Panel Kit	
800004QP	51
800004WP	51
Cabinet Right Panel	
800005Q	51
800005W	51
Cabinet Side Panel	
800004DG	51
Cabinet Top Kit	
802247QP	7
Cable Connection Box	
39922	55
Card Insert Overlay	
514391	19
Caution Label	
801706	63
Central Pay Harness	
805427	5, 27, 29
Chemical Injection Control	
804528	53
Clamp Ring	
803802	41

Clip	
201572	17
Clothes Guard Deflector	
804467	41
804482	41
Coin Box Extension Kit	
803578P	25
Coin Drop	
38963P	15
70441601P	15, 25
Coin Drop Assembly	
CK114	15
CK123	15
38462P	15
38463	15
38464P	15
38467	15
38472	15
38519	15
38521	15
70441602	15, 25
70482401	15
Coin Drop Wire Harness	
201104	17
Coin Identification Paper	
38725	15, 17, 25
Compartment Cover	
803669	35
Connector	
M400149	53
801789	13, 23
Contactora	
70482603	9
Control Assembly	
804471P	5, 21, 27, 29
804472P	5, 21
Control Bracket	
804612	21
Control Hood	
502567W	29
511253W	27
Control Overlay	
805371	29
805372	27
805375	23
805376	23
805378	23
805379	23
805675	23
805768	23
Control Panel	
803962BP	13
803962DG	13
803962WP	13
Control Panel and Bracket Assembly	
800149W	29
Control Panel and Stud Assembly	
800710W	27
805512W	27
Control Panel Assembly	
804070B	5
804070DG	5
804070Q	5

N/A items do not appear in index.

804070W.....	5
804962.....	23
804963.....	23
805008.....	23
Control Shield	
804363.....	5, 21
Control Wrapper	
804627W.....	21
804628B.....	21
804628DG.....	21
804628W.....	21
804629DG.....	23
804630B.....	23
804630DG.....	23
804630W.....	23
Counterweight	
803810.....	41

D

Detergent Hose	
804717.....	35
Diagnostic Wire Harness Assembly	
202869.....	23
Disconnect Power Warning Label	
505281.....	25, 27, 29, 63
Dispenser Assembly	
803698.....	35
Dispenser Drawer	
803667.....	35
Dispenser Handle	
804227B.....	35
804227WP.....	35
804526.....	35
Dispenser Inlet Hose	
803849.....	35, 37
Dispenser Plate	
803843.....	35
Door Assembly	
804083B.....	33
804083Q.....	33
804083W.....	33
804210.....	33
Door Catch Assembly	
802803.....	33
Door Glass	
802695P.....	33
Door Glass Mounting Plate	
804239.....	33
Door Hinge	
802934.....	33
Door Latch Assembly	
803920.....	33
Door Lock Drip Shield	
804784.....	33
Door Lock Harness Assembly	
804348.....	65
Door Seal	
804428P.....	33
Drain Base Bracket	
803814.....	49
Drain Hose	
27154.....	49

Drain Hose Bracket	
803828.....	51
Drain Hose Elbow	
35766.....	49
Drain Pump Assembly	
803921P.....	49
803922.....	49
805722P.....	49
805724P.....	49
Drain Pump Drip Shield	
805561.....	49
Drain Pump Isolator	
803815.....	49
Drain Valve	
803293.....	47
Drain Valve Kit	
F975P3.....	47
F976P3.....	47
Drain-to-Cabinet Hose	
800903.....	47
Drive Belt	
804985.....	45
Dual Coin Harness Assembly	
202871.....	15, 25

E

Electrical Shock Label	
F8211201.....	63
Electronic Coin Drop Assembly	
70294103P.....	17
70294104.....	17
70294105P.....	17
70294106.....	17
70294107.....	17
70294109.....	17
70294110.....	17
70294111.....	17
70294112.....	17
70294120.....	17
70294121.....	17
Electronic Coin Drop Kit	
CK099.....	17
CK100.....	17
CK101.....	17
CK103.....	17
CK106.....	17
CK108.....	17
CK109.....	17
CK110.....	17
CK113.....	17
CK115.....	17
CK120.....	17
CK121.....	17
End Cap	
210108W.....	27
210109W.....	27
Ethernet Gateway Kit	
NK320.....	5, 27, 29
Expansion Clip	
70030501.....	13, 19, 23
Extension Spring	
802285.....	33

N/A items do not appear in index.

F

Fill Hose	
F8498701	39
F8498901	39
202799	39
202800	39
202931	39
20617	39
20618	39
Filter	
805634	9
Filter Harness	
804797	9
Filter Jumper Harness	
804805	55
Fitting	
801792P	9
Foam Pad	
804875	35
Front Control Harness	
804345	65
Front Panel	
802277QP	33
802277WP	33
802288P	33

G

Gasket	
802427	49
Glass Mounting Clip	
802700	33
Gravity Drain Bracket	
803291	47
803833	51
Gravity Drain Valve	
803292	47
Grommet	
29175	41

H

Harness	
804832	27, 29
Harness Assembly	
802905	17
Harness Strap	
55881	59
Heat Contactor Harness	
805544	9
Heater Contactor Drip Shield	
805356	9
Heater Harness	
804346	65
Heating Element	
804777P	41
804778P	41
Hinge	
511036	7

Hinge Plate	
802206	33
Hood Back Panel	
804223	29
Hose Clamp	
F200204	49
F200206	35
20211	49
20391	49
685725	35, 47
802281	33
803891	41
804173	35, 37
Hose Clip	
36985	41, 59
800553	43

I

Inner Basket Assembly	
804374	43
804376	43
805485	43
Inner Door Bezel	
804562	33
Inner Door Bezel Kit	
802307P	33
Inverter Control Assembly	
803949P	45
Inverter Harness Assembly	
804232P	45

J

Jumper Harness	
804396	55
Junction Box	
803818	55
803819	55
803827	53
804559	55
804561	53
Junction Box Cover	
803820	53, 55
Junction Box Seal	
803832	53, 55

K

Key	
54612	5

L

Label	
804488	57
Lead-In Cord	
202777	59
Lead-In Cord Assembly	
804556	55

N/A items do not appear in index.

Left Hand Thread Label	
685928	63
804949	63
Leveling Leg	
34319	51
Lid Assembly	
802426P	49
Lifter	
804382	43
Line Filter	
805633	9, 55
Lock Assembly	
804339P	5
Lock Cam	
804338	5

M

Machine ID Control Assembly	
203361P	5, 21, 27, 29
Meter Case Assembly	
38724W	25
802505W	25
804009B	13
804009DG	13
804009W	13
Meter Case Assembly Kit	
803063WP	25
Meter Case Bracket Gasket	
35526	25
Meter Case Gasket	
26354	25
Meter Case Lockdown Bracket	
35525	25
Meter Case Locking Bracket	
30642	25
Mixing Valve	
803809	37
803838	37
Mixing Valve Screen	
24122	37
Mixing Valve Shield	
804783	37
Motor	
803885	45
Motor Control Shield	
804792	45
804878	45
Motor Harness	
804397	65
Motor Rod	
803861	45
Mounting Tool Kit	
CK096	61

N

Nameplate Overlay	
514681	13
Network Controller Kit	
NK220	5, 27, 29

Network Retrofit Kit	
203328	5, 27, 29
Network Varistor Assembly	
804651	9
Network Wire Harness Assembly	
44088501P	11
Notice Label	
803011	63
Nut	
F430218	41, 43
03673	59
201216	17
21899	51
23951	31, 33
27222	25
29786	15, 17, 25, 47
29787	9
30647	25, 31
36020	7, 33
44087201	7, 13
52566	29
685846	33
800452	41, 43
802292	35
802337	25
802343	41
804418	43

O

Operating Instruction Label	
804327	13, 19
804846	13
Operating Instructions Label	
805829	13
Opto Coupler	
200674P	15, 25
O-Ring	
F170208	35
802429P	49
Outer Door Bezel	
803710BP	33
803710QP	33
803710WP	33
803711P	33
Outer Tub Assembly	
803864	41
803865	41
Out-of-Balance Switch Assembly	
803415	41
Out-of-Balance Switch Bracket	
804457	41
Overlay	
201091	13, 17, 25
514873	19
514874	19
804849	5
804850	29
804851	5
805370	27
805373	5
805374	5
805377	5
805766	5

N/A items do not appear in index.

Oversudsing Label	
802074	63
802838	63

P

Panel Locator	
56079	33, 51
Pinched Fingers Label	
F8211301	63
Pop Rivet	
685847	7, 43
70058501	25, 27
Power Cord Assembly	
202624	55
39931	55
801450	55
805761	55
805762	55
Pressure Bulb	
803837	41
Pressure Sensor	
202470	51
Pressure Sensor Harness	
804433	65
Pressure Sensor Tube Assembly	
804483	41
Pulley Assembly	
803974	43
Pulley Bolt Tightening Fixture	
802336	61
Pump Housing	
802428	49
Pump Housing Assembly	
802434P	49
Pump-to-Elbow Hose	
803734	49

R

Ratchet Extension Tool	
310P4	61
Read Instructions Label	
513371	63
Rear Access Panel	
803998	13, 19
804614	23
Rear Control Harness	
804358	65
Rear Control Operating Instruction Label	
805830	25
Rear Panel	
511254	27
803789	51
803790	51
Rear Wrapper Brace	
805345	21
Retaining Ring	
23748	45
Rubber Foot	
34318	51
501855	51

S

Screw	
M400043	43, 57
M400057	45
02916	29, 47
20530	25, 27, 59
23008	7
36048	25
39733	21, 33, 51
501086	27, 29
501524	27, 29, 45
503661	9, 11, 25, 27, 29, 33, 45, 47, 49, 51, 53, 55
503673	25
503688	5, 9, 19, 21, 23, 31
512921	33
52864	27, 29
52909	49
685831	43
70240301	13, 19
800461	41
800462	41, 43, 57
800548	33, 35, 43
801001	35
801019	33
801045	33
801993	33
802431	49
802596	41
803527P	23
804398	43
804399	43
804647	5
Sealant	
27615P	47, 49
Security Cabinet Assembly	
804149B	19
804149W	19
Security Kit	
905P3	31
Service Door Assembly	
39874WP	25
Shipping Brace	
804454	57
Shipping Plate	
803851	51
Shipping Plug	
803859	51
Shipping Spacer	
803858	57
Shock Assembly	
803777	41
Side Panel	
800005DG	51
Single Coin Harness Assembly	
202870	15, 25
Single Drop Overlay	
803476	13
Single Overlay	
38717	13, 15, 25
Snap Bushing	
M400770	9
M402542	9, 53
503235	47

N/A items do not appear in index.

Standpipe Strap 33489	49
Strain Relief 38384	55, 59
Supply Injection Wire Harness Assembly 804799	53
Switch 512973	5, 13, 25

T

Terminal Block Assembly 505876	9
803988	9
Terminal Block Drip Shield 805344	9
Terminal Block Harness 804737	9
Terminal Block Panel 804609	9
Top Hinge 510136	51
Top Kit 511527WP	25
Top Mounting Bracket 504228	7
Top Panel 803868DG	7
803868Q	7
803868WP	7
803869	7
804684	21
804685DG	21
804685WP	21
Top Panel Brace Assembly 804613	23
Top Panel Guide 803761	21
Top Panel Kit 511530WP	27
Transformer 201375P	17
202757	5, 27, 29
202758	5
Transformer Harness 804795	5
Trunnion Assembly 804405	43
Tub Front 803770	41
Tub Front Assembly 803879	41
Tub Front Seal 800432P	43
803801	41
Tubing 801635	35
Tub-to-Drain Hose 803873	47
Tub-to-Gravity Drain Hose 803874	47
Tub-to-Pump Hose 803816	49

803829	49
--------------	----

U

Union 801788	13, 23
USB Gateway Kit NK330	5, 27, 29
USB IR Interface Kit 203346	5, 27, 29

W

Warning Label 500049	41, 63
500314	63
500316	25, 27, 29, 63
802367	63
803260	63
Washer M400014	57
M400017	29, 47
M400080	45
M400081	41
M403958	43
02431	29
02834	45
03815	59
200608	27, 29
20290	39
25100	31
52549	45
800457	43
800464	43
800624	57
802254	39
803615	39
804458	41
Water Hose F200116	39
Wire Clamp Ring 802283	33
Wire Clip 504034	59
687500	59
Wire Guard 201595P	15, 25
Wire Tie 38663	59
Wireless Network Kit 203327	5, 27, 29
Wireless Transceiver Assembly 202335	11
Wire, 12 Gauge 45380	65
Wire, 18 Gauge 45001	65
Wiring Harness Assembly 202868	5
202869	27
Wrapper Assembly 804104B	13
804104DG	13

N/A items do not appear in index.

804104W.....	13
804108B.....	13
804108DG.....	13
804108W.....	13
804112B.....	19
804112W.....	19
Wrench	
392P4.....	61
