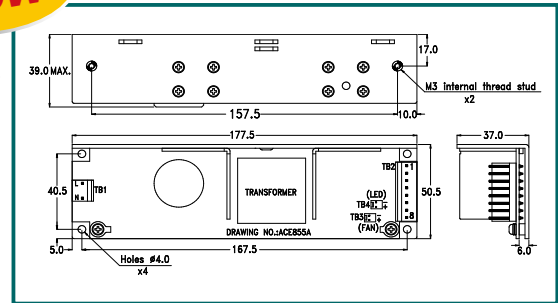


# ACE-855A/845V/855C 55W Open Frame AT Type



**55W**



Input Type	85 ~ 264VAC Full Range (ACE-855A), 9.5 ~ 18VDC (ACE-845V), 16 ~ 32VDC (ACE-855C)				
Output Voltage	+5V	+12V	-5V	-12V	+24V
ACE-855A	8A	1.2A			
ACE-845V	6A	1.1A			
ACE-855C	8A	1.2A			
Efficiency	70%				
Temperature	ACE-855A/855C: 0 ~ 60°C (Operating), -20 ~ 85°C (Storage) ACE-845V: 0 ~ 50°C (Operating), -20 ~ 85°C (Storage)				
MTBF(hrs)	335,000 (ACE-855A), 364,000 (ACE-845V), 358,000 (ACE-855C)				
Output Connector	Optional Cable				

## Optional 1 AC Input Solution



**PN: CB-855EC-RS**  
AC input cable, w/ I/O connector/ fuse, 20cm

## Optional 2 Embedded Solution



**PN: CB-855EB-RS**  
DC cable to CPU card, W/4pin 12V CPU/HDD/ S-ATA connector, 30cm

## Optional 3 Backplane Solution



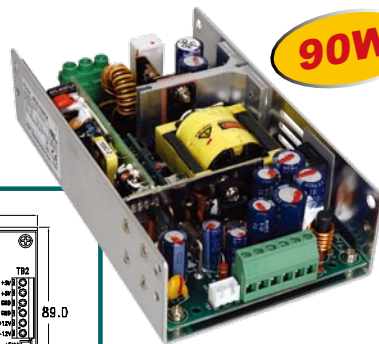
**PN: CB-855BP-RS**  
DC cable to Backplane, W/20pin ATX/HDD/ S-ATA connector, 30cm

## Ordering Information

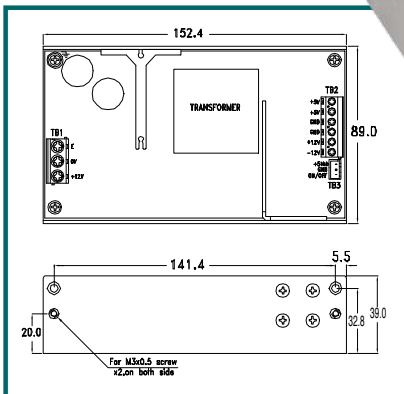
- ACE-855A-RS**  
55W AC-DC Open Frame AT Power Supply
- ACE-845V-RS**  
42W 12V DC Input Open Frame AT Power Supply
- ACE-855C-RS**  
55W 24V DC Input Open Frame AT Power Supply



# ACE-709VX/CX/TX DC Input Open Frame ATX Power



**90W**



Input Type	9 ~ 16VDC (ACE-709VX), 18 ~ 32VDC (ACE-709CX), 36 ~ 72VDC (ACE-709TX)					
Output Voltage	+3.3V	+5V	+12V	-5V	-12V	+5Vsb
ACE-709VX		8A	2.5A		0.5A	0.5A
ACE-709CX/TX		10A	2.5A		0.5A	0.5A
Efficiency	75%(ACE-709VX/CX), 70%(ACE-709TX)					
Temperature	Operating : -20 ~ 70°C (50 ~ 70°C derating curve) Storage : -20 ~ 85°C					
MTBF(hrs)	162,000 (ACE-709VX), 158,000 (ACE-709CX), 170,000 (ACE-709TX)					
Output Connector	Optional Cable					
Dimension	152.4 x 89 x 39 mm					

## Optional 11 Embedded Solution



**PN: CB-709EB-RS**  
DC cable to CPU card, W/4pin 12V CPU/HDD/ S-ATA connector, 30cm

## Optional 2 Backplane Solution



**PN: CB-709BP-RS**  
DC cable to backplane, W/20pin ATX/HDD/ S-ATA connector, 30cm

## Ordering Information

- ACE-709VX-RS**  
80W 12V DC Input Open Frame ATX Power Supply
- ACE-709CX-RS**  
90W 24V DC Input Open Frame ATX Power Supply
- ACE-709TX-RS**  
90W 48V DC Input Open Frame ATX Power Supply

