

Model Information

INTEGRATED NETWORK AV RECEIVER

- Model Information Index
- Front Panel
- Rear Panel
- Remote Control
- Warranty
- Reset Procedure
- Accessories
- Protection History Display Mode
- Upgrades/Updates
- Product Specifications
- I/R Codes

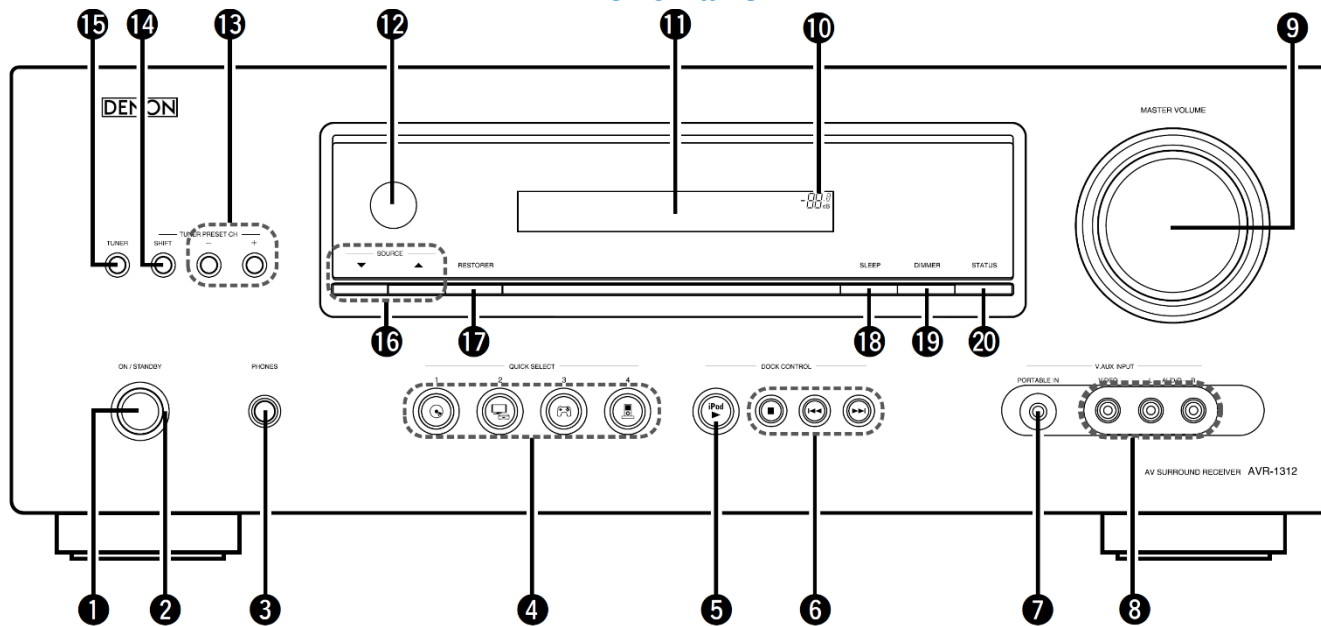
This function is not available on this model



NOTE:

This edition is missing the FAQ's content (pages 12 and 13)9/30/2015
This edition is missing the link to the IR Codes.....9/30/2015

Front Panel



① Power operation button

(ON/STANDBY)

Turns power to this unit on and off (standby).

② Power indicator

③ Headphones jack (PHONES)

When the headphones are plugged into this jack, audio will no longer be output from the connected speakers or from the PRE OUT connectors.

NOTE: To prevent hearing loss, do not raise the volume level excessively when using headphones.

④ QUICK SELECT buttons

⑤ iPod play button (iPod ►)

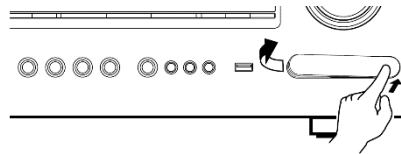
⑥ iPod system buttons

- Stop button (■)
- Skip buttons (◀▶)

⑦ PORTABLE IN jack

⑧ V.AUX INPUT connectors

Remove the cap covering the connectors when you want to use them.



⑨ MASTER VOLUME control knob

⑩ Master volume indicator

⑪ Display

⑫ Remote control sensor

⑬ Tuner Preset channel buttons (TUNER PRESET CH+,-)

⑭ SHIFT button

⑮ TUNER button

⑯ Input source select button (SOURCE ▲▼)

⑰ RESTORER button

⑱ SLEEP button

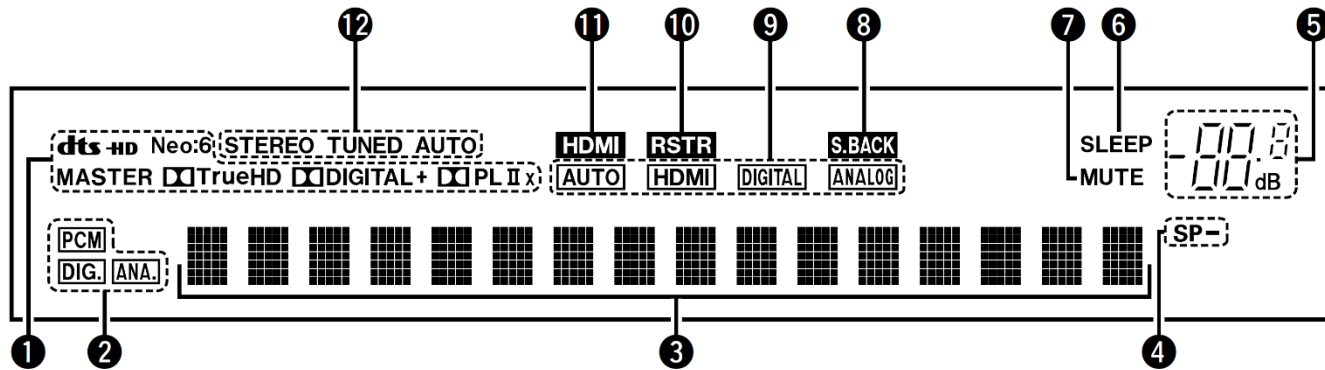
⑲ DIMMER button

⑳ STATUS button

HOME

DISPLAY

Display



① Decoder indicators

These light when the respective decoders are operating.

② Input signal indicators

③ Information display

The input source name, surround mode, setting values and other information are displayed here.

④ Front speaker indicator

This lights according to the setting of the front speakers.

⑤ Master volume indicator

⑥ Sleep timer indicator

This lights when the sleep mode is selected

⑦ MUTE indicator

This lights when the mute mode is selected

⑧ Surround back indicator

This lights when audio signals are being output from the surround back speakers (vpage 86).

⑨ Input mode indicators

Set the audio input modes for the different input sources

⑩ RESTORER indicator

This lights when the RESTORER mode is selected

⑪ HDMI indicator

This lights when playing using HDMI connections.

⑫ Tuner reception mode indicators

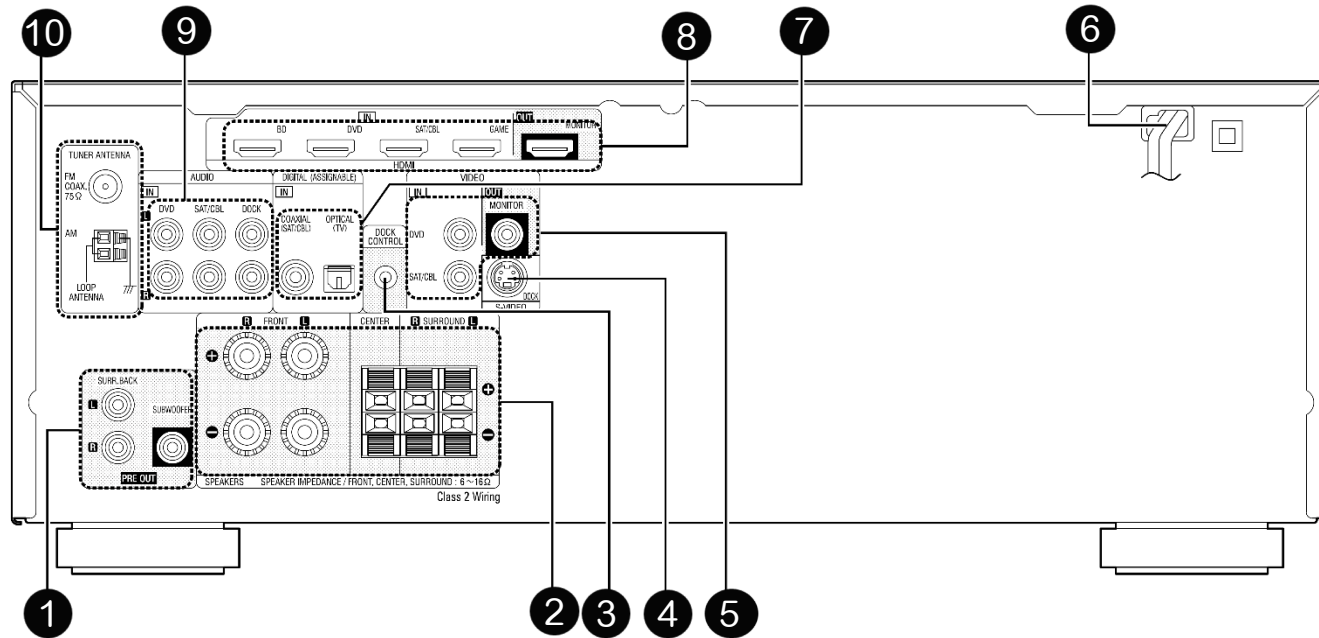
These light according to the reception conditions when the input source is set to "TUNER".

STEREO : In the FM mode, this light when receiving stereo broadcasts.

TUNED : Lights when the broadcast is properly tuned in.

AUTO : This light when in the auto tuning mode.

Rear Panel



① PRE OUT connectors

② Speaker terminals

③ DOCK CONTROL jack

④ S-VIDEO connector

⑤ VIDEO connectors

⑥ Power cord

⑦ Digital audio connectors

⑧ HDMI connectors

⑨ Analog audio connectors

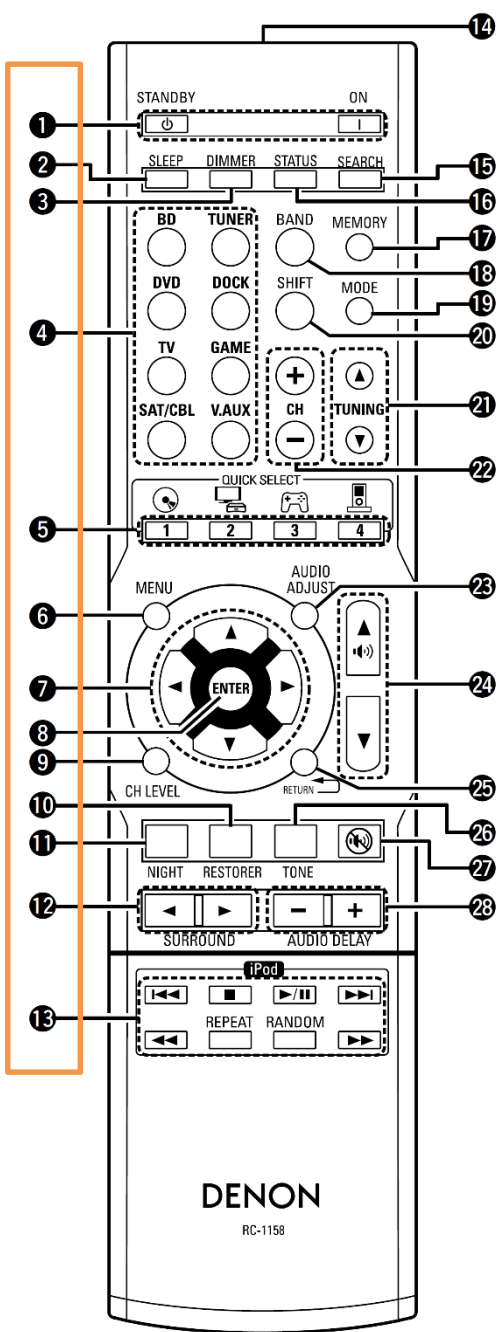
⑩ FM/AM antenna terminals

DISPLAY

HOME

REMOTE CONTROL 1

Remote Control (1 of 2)



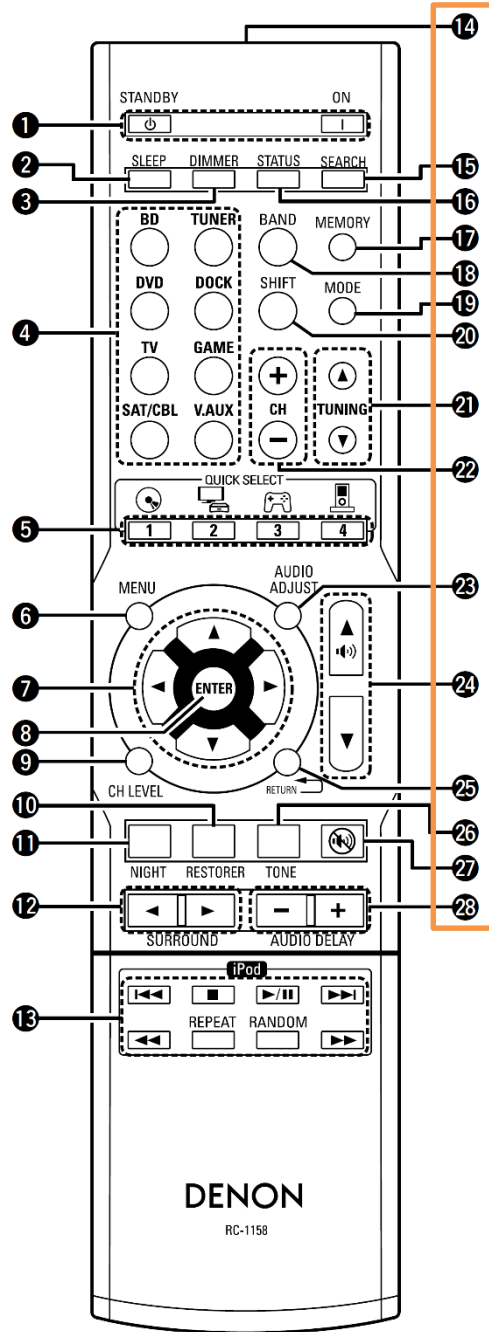
- ① Power buttons (ON, STANDBY)
- ② Sleep timer button (SLEEP)
- ③ DIMMER button
- ④ Input source select buttons
- ⑤ QUICK SELECT buttons
- ⑥ MENU button
- ⑦ Cursor buttons (▲▼◀▶)
- ⑧ ENTER button
- ⑨ Channel level button (CH LEVEL)
- ⑩ RESTORER button
- ⑪ NIGHT button
- ⑫ SURROUND buttons (◀▶)
- ⑬ iPod system buttons
 - Search buttons (◀◀ ▶▶)
 - Skip buttons (◀◀ ▶▶)
 - Play button (▶)
 - Pause button (||)
 - Stop button (■)

REAR PANEL

HOME

REMOTE CONTROL 2

Remote Control (2 of 2)



- ⑭ Remote control signal transmitter
- ⑮ SEARCH button
- ⑯ STATUS button
- ⑰ MEMORY button
- ⑱ BAND button
- ⑳ SHIFT button
- ㉑ TUNING buttons (▲▼)
- ㉒ Channel buttons (CH +, -)
- ㉓ AUDIO ADJUST button
- ㉔ Master volume control buttons (◀ ▲ ▼)
- ㉕ RETURN button
- ㉖ TONE button
- ㉗ Muting button
- ㉘ AUDIO DELAY button (+, -)

DENON LIMITED WARRANTY (1 of 2)

This warranty will be honored only in the **U.S.A.**

Length of Non-Transferable Warranty

This warranty on your DENON product which is distributed and warranted by DENON ELECTRONICS (USA), LLC remains in effect for the following periods from the date of the original consumer purchase from an AUTHORIZED DENON ELECTRONICS (USA), LLC DEALER.

2 years for units purchased new

1 year for refurbished (B-Stock) units

DENON ELECTRONICS (USA), LLC
(a D&M Holdings Company)
100 Corporate Drive
Mahwah, NJ 07430-2041
(201) 762-6665
www.usa.denon.com

DENON FACTORY SERVICE by PANURGY OEM
701 Ford Road (South Dock)
Rockaway, NJ 07866-2053
(973) 625-4056
(973) 625-9489 Fax
<http://www.panurgoem.com/Denon/Denonrepair.html>

See the next page for more information about the Denon limited warranty

Warranty (2 of 2)

What is Covered

Except as specified below, this Warranty covers all defects in material and workmanship in this product occurring during the above warranty periods. The following are not covered by the Warranty: (1) Any product which is not distributed in the U.S.A. by DENON ELECTRONICS (USA), LLC. (2) Any product which is not purchased in the U.S.A. from an authorized DENON dealer. (Note: AUTHORIZED DENON DEALERS can be identified by DENON AUTHORIZED DEALER sticker displayed in the stores. If you are uncertain as to whether a dealer is a DENON AUTHORIZED DEALER, please contact DENON as listed below). (3) Any product on which the serial number has been defaced, modified or removed. (4) Damaged deterioration or malfunction resulting from: a) Accident, act of nature, abuse, misuse, neglect, unauthorized product repair, opening of or modification or failure to follow instructions supplied with the product. b) Repair or attempted repair by anyone not authorized by DENON. c) Any shipment of the product (claim must be presented to carrier). (5) Items subject to wear from normal usage (tape heads, cartridges, stylus, battery, etc.). (6) Periodic check-ups which do not disclose any defect. (7) Use of the product outside the U.S.A. (8) Damaged magnetic tape or CD/DVD/BD discs. (9) Use in industrial, commercial, and/or professional applications. (10) Any installation or removal charges resulting from product failure.

What We Will Pay For

If during the applicable warranty period from the date of original consumer purchase your DENON product is found to be defective by DENON, DENON will repair, or at its option, replace with new, reconditioned or equivalent model, such defective product without charge for parts or labor.

How to Obtain Warranty Performance

If your unit ever needs service, it may be taken or shipped to any authorized DENON service station or DENON ELECTRONICS (if you are uncertain as to whether a service station is DENON authorized, please visit our website at <http://usa.denon.com/us/Support/Pages/ServiceCenterSearch.aspx> or contact DENON as listed below.) In all other cases, the following procedures apply whenever your unit must be transported for warranty service;

You are responsible for transporting your unit or arranging for its transportation.

If shipment of your unit is required;

You must pay the initial shipping charges, but we will pay the return shipping charges if the repairs are covered by the Warranty.

WHEN RETURNING YOUR UNIT FOR WARRANTY SERVICE, A COPY OF THE ORIGINAL SALES SLIP MUST BE ATTACHED.

You should include the following: your name, address, daytime telephone number, model and serial number of the product and a description of the problem. In the case of a CD/DVD/BD Player, please enclose ONE (1) disc that the unit has failed with for test reasons. It will be returned with the unit.

THIS WARRANTY IS VALID IN THE U.S.A. ONLY.

If your product does not require service, but you have questions regarding its operation, please contact our Customer Support Department as listed below.

THIS WARRANTY IS EXPRESSLY MADE IN LIEU OF ALL OTHER WARRANTIES, EXPRESSED OR IMPLIED, INCLUDING WITHOUT LIMITATION, WARRANTIES OF MERCHANTABILITY AND FITNESS FOR A PARTICULAR PURPOSE.

OUR LIABILITY IS LIMITED TO THE REPAIR OR REPLACEMENT, AT OUR OPTION, OF ANY DEFECTIVE PRODUCT AND SHALL IN NO EVENT INCLUDE INCIDENTAL OR CONSEQUENTIAL COMMERCIAL OR PROPERTY DAMAGES OF ANY KIND. WE ARE NOT RESPONSIBLE FOR PRODUCTS LOST, STOLEN AND/OR DAMAGED DURING SHIPPING.

SOME STATES DO NOT ALLOW LIMITATIONS ON HOW LONG AN IMPLIED WARRANTY LASTS AND/OR DO NOT ALLOW THE EXCLUSION OF INCIDENTAL OR CONSEQUENTIAL DAMAGES, SO THE ABOVE LIMITATIONS AND EXCLUSIONS MAY NOT APPLY TO YOU.

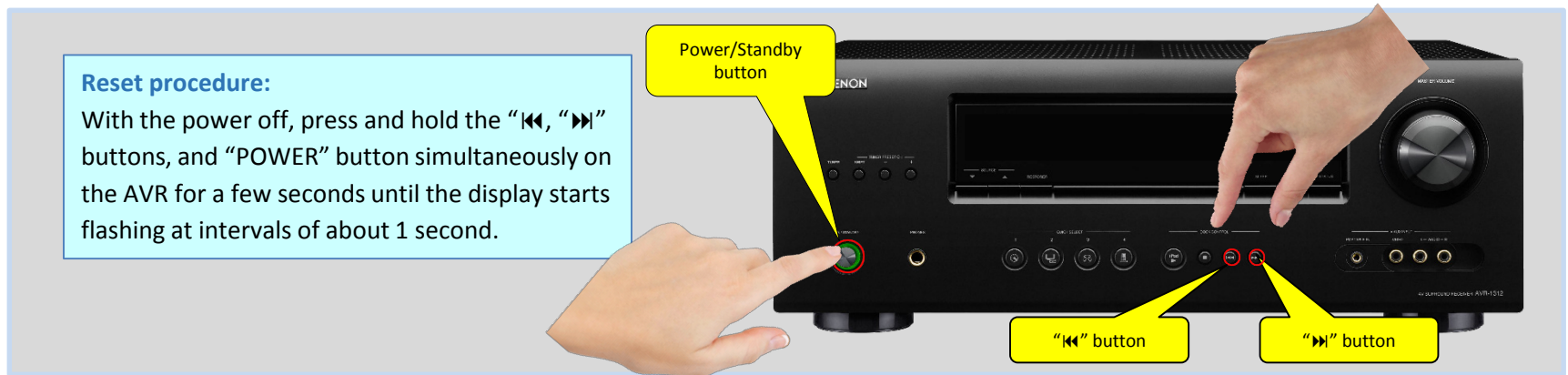
This warranty gives you specific legal rights, but you may also have other rights which vary from state to state. This Warranty may not be altered other than in a writing signed by an officer of Denon Electronics USA, LLC.

WARRANTY 1

HOME

RESET

Reset



Resetting the micro is a procedure used to "reboot" the microprocessor to restore its normal operation when it temporarily freezes, locks up, or behaves erratically. Resetting the microprocessor, erases any saved settings you may have previously programmed into the unit

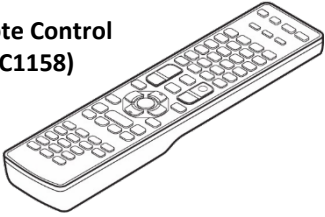

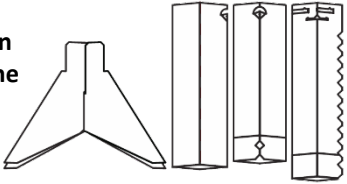

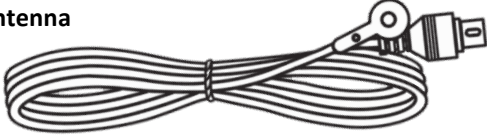
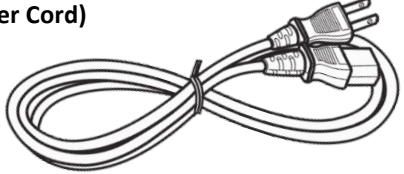
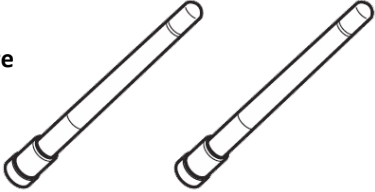
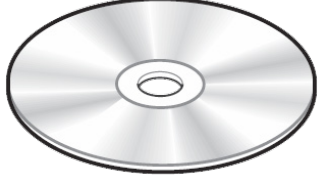
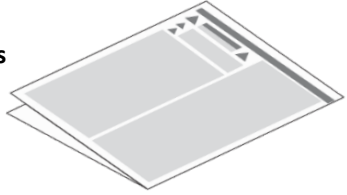
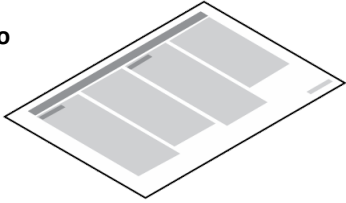
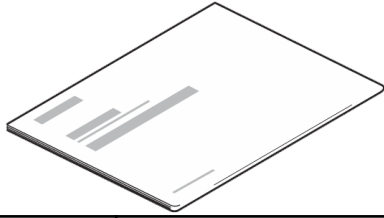
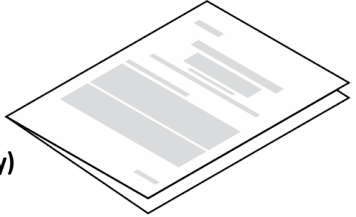
Issues that can affect the performance of the microprocessor:

- A jolt of static electricity
- Current surge through an input

Before resetting the microprocessor;

- Check all connections carefully
- Check for setup errors

Accessories

Remote Control (RC1158) 		Sound Calibration Microphone (ACM1HB) 		Sound Calibration Microphone Stand 	
307010089008D	\$24.99				
AM Loop Antenna 		FM Indoor Antenna 		Power Cord) 	
943116009500S	\$4.51	90M-ZA000230R	\$7.79		
External Antennas For Bluetooth/Wireless Connectivity 		CD ROM Owner's Manual 		Safety Instructions 	
NA					
Notes on Radio 		Quick Start Guide 		Warranty (For North America Only) 	

RESET

HOME

FAQs

This Page Intentionally Left Blank

This Page Intentionally Left Blank

Upgrades/Updates

No update available for this unit

FAQs 2

HOME

Specifications – Audio Section

Specifications – Audio Section

Audio section

Power amplifier	Rated output	Front	75 W + 75 W (8 Ω /ohms, 20 Hz – 20 kHz with 0.05 % T.H.D.)
			110 W + 110 W (6 Ω /ohms, 1 kHz with 0.7 % T.H.D.)
		Center	75 W (8 Ω /ohms, 20 Hz – 20 kHz with 0.05 % T.H.D.)
			110 W (6 Ω /ohms, 1 kHz with 0.7 % T.H.D.)
		Surround	75 W + 75 W (8 Ω /ohms, 20 Hz – 20 kHz with 0.05 % T.H.D.)
			110 W + 110 W (6 Ω /ohms, 1 kHz with 0.7 % T.H.D.)
Output connector		6 – 16 Ω /ohms	
Analog	Input sensitivity/Input impedance		200 mV/47 k Ω /kohms
	Frequency response		10 Hz – 100 kHz — +1, –3 dB (DIRECT mode)
	S/N		98 dB (IHF–A weighted, Direct mode)

Specifications - Video section, Tuner Section, General Section

Video section

Standard video connectors	Input/output level and impedance	1 Vp-p, 75 Ω/ohms
	Frequency response	5 Hz -10MHz, 0, - 3dB

Tuner section

(ANTENNA input – MEDIA PLAYER OUT)	FM		AM
	Note: μV at 75 Ω/ohms, 0 dBf = 1×10^{-15} W		
Reception frequency range	87.5 MHz - 107.9 MHz		520 KHz - 1710 KHz
Usable sensitivity	1.2 μV (12.8 dBf)		18 μV
50 dB Quieting Sensitivity	Mono	2.8 μV (20.2 dBf)	
	Stereo	70 dB (DIRECT Mode)	
S/N (IHF-A)	Mono	67 dB (DIRECT Mode)	
	Stereo	0.7 %	
Total harmonic distortion (At 1 kHz)	Mono	1.0 %	
	Stereo		

General section

Power supply	AC 120V, 60Hz
Power consumption	330W
Power consumption in standby mode	0.5W

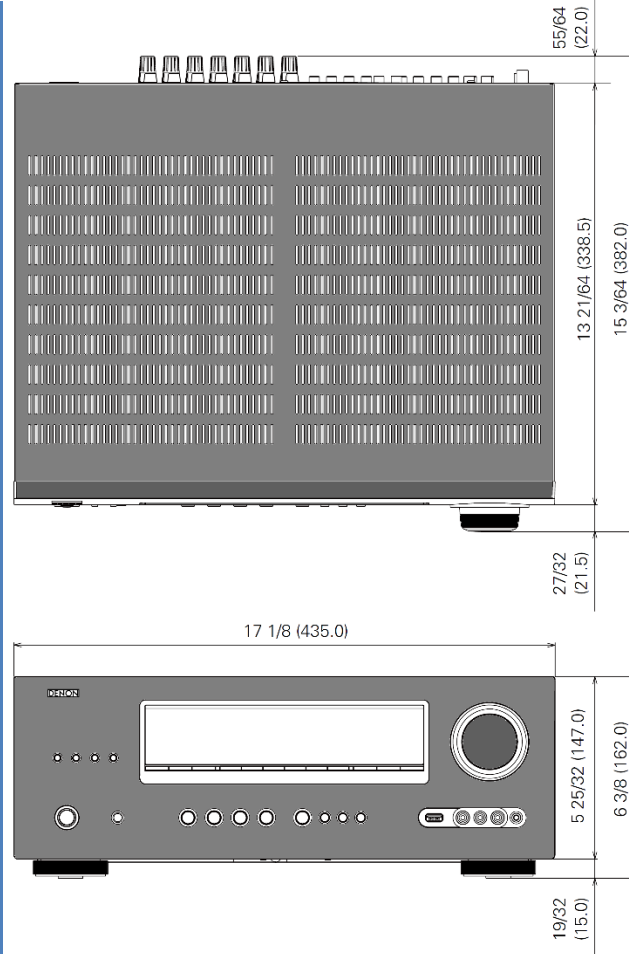
Remote control unit (RC-1158)

Batteries	R03/AAA Type (two batteries)
Maximum external dimensions	1-31/32" (W) x 8-5/16" (H) x 55/64" (D) (50 x 211 x 22 mm)
Weight	3.9 oz (110 g, including batteries)

For purpose of improvement, specifications and design are subject to change without notice.

Specifications – Dimensions, Weight

Dimensions section (Unit : inch/mm)



Weight: 19 lbs 13.5 oz (9 kg)

The End

NOTE:

This edition is missing the FAQ's content (pages 12 and 13)9/30/2015
This edition is missing the link to the IR Codes.....9/30/2015

