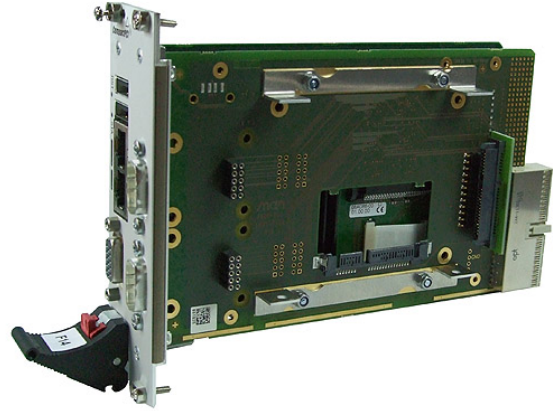


F600 – 3U CompactPCI® Side Card for SATA/ Legacy I/O

- 4 HP extension for 3U Intel® SBCs F14, F15, F17, F18, F19P, F21P
- 1-4 COMs via SA-Adapters™
- Optical isolation depending on SA-Adapter™
- 2.5" SATA hard-disk slot
- Additional SATA port for external device
- -40 to +85°C screened



The F600 is a 4HP legacy I/O extension card for 3U Intel® based CompactPCI® single-board computers. It can be used in combination with the F14 and [compatible CPU boards](#).

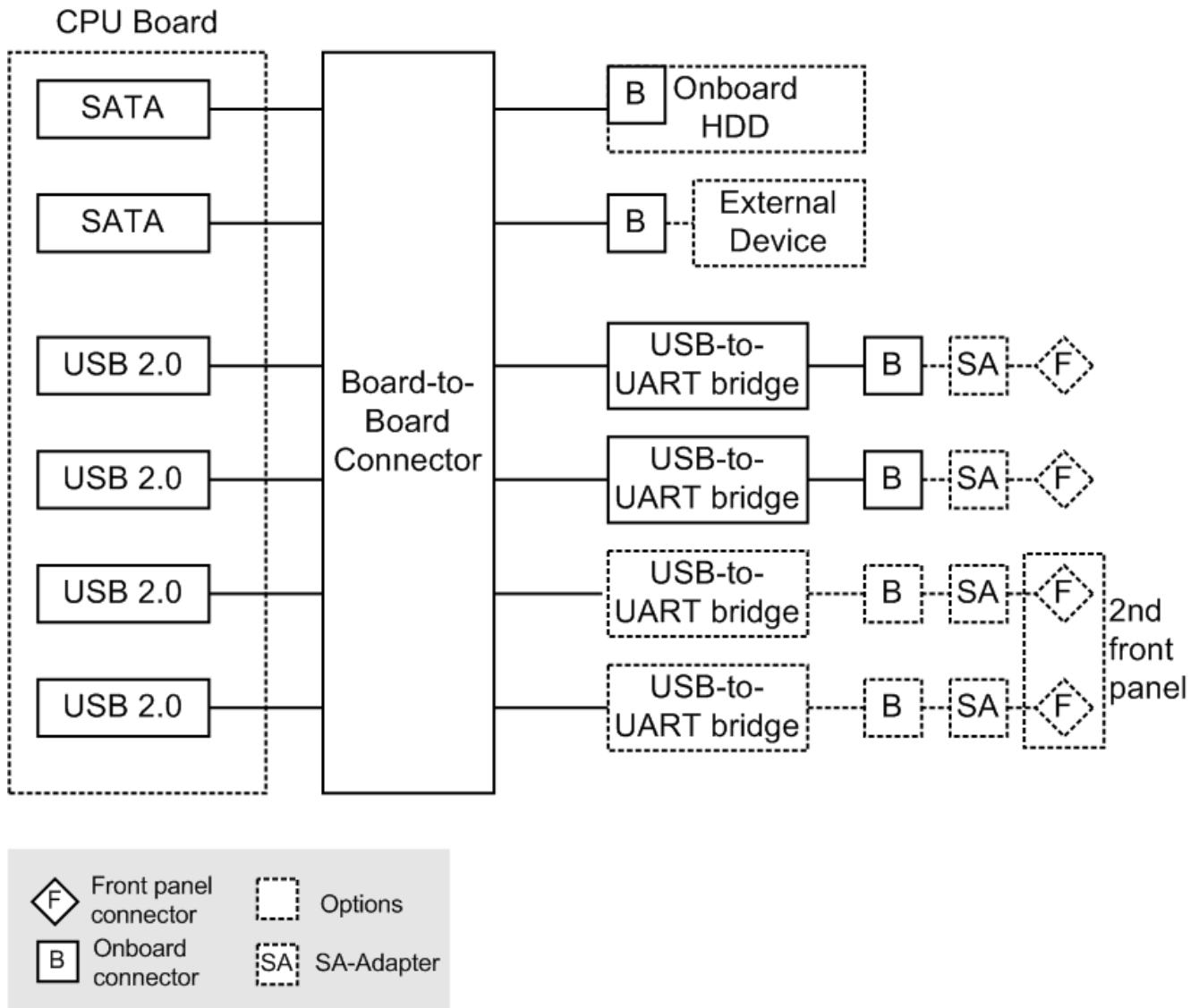
Modern Intel® based boards increasingly support USB interfaces as an exclusive universal connection of devices such as keyboard, mouse, CD-ROM, floppy etc. Especially in industrial applications however many existing systems still use COM interfaces.

The F600 provides SA-Adapter™ slots for up to four additional COMs, two at the front panel and two on

board. Since SA-Adapters™ provide the physical layers, the F600 can be configured flexibly with a combination of RS232, RS422 or RS485 interfaces, alternatively isolated or not isolated. In addition an onboard 2.5" SATA hard-disk slot can be used on the standard version of the F600, which comes with two COM interfaces.

The F600 is directly plugged to the right side of the respective single-board computer. A robust connector makes for high mechanical stability. It is delivered with an 8HP front panel, replacing the 4HP front panel of a 3U single-board computer and thus resulting in a solid one-piece front panel.

Diagram



Technical Data

I/O	<ul style="list-style-type: none"> ■ Up to four UARTs <ul style="list-style-type: none"> □ From four CPU-controlled USB channels □ Two at front panel □ Two on board, instead of onboard SATA device, on request □ Physical interface using SA-Adapters™ via 10-pin connectors □ RS232..RS422, isolated or not: for free use in system (e. g. cable to front) □ Only full duplex operation for RS422 □ Data rates up to 1 Mbit/s □ FIFO receive and transmit buffers for high data throughput □ Handshake lines: full support; lines depend on SA-Adapters™
Mass Storage	<ul style="list-style-type: none"> ■ Serial ATA (SATA) <ul style="list-style-type: none"> □ One port for onboard 2.5" hard-disk drive □ One port for external device (e.g. SATA DVD Drive) □ Transfer rates up to 150MB/s (depends on hard disk) □ RAID level 0/1 support (depends on CPU board)
Miscellaneous	<ul style="list-style-type: none"> ■ CompactPCI® J1 and J2 are assembled for increased mechanical stability and/or for power supply via J1
Electrical Specifications	<ul style="list-style-type: none"> ■ Supply voltage/power consumption: <ul style="list-style-type: none"> □ +5V (-3%/+5%), 21mA typ. (with two SA1 SA-Adapters™, w/o hard disk) □ +3.3V (-3%/+5%), 50mA typ. (with two SA1 SA-Adapters™, w/o hard disk) ■ MTBF: 1,663,000h @ 40°C (derived from MIL-HDBK-217F)
Mechanical Specifications	<ul style="list-style-type: none"> ■ Dimensions: conforming to CompactPCI® specification for 3U boards ■ Weight: 145g (w/o hard disk)
Environmental Specifications	<ul style="list-style-type: none"> ■ Temperature range (operation): <ul style="list-style-type: none"> □ -40..+85°C (depending on hard disk; please refer to the hard disk specifications for possible limits) □ Airflow: min. 10m³/h ■ Temperature range (storage): -40..+85°C ■ Relative humidity (operation): max. 95% non-condensing ■ Relative humidity (storage): max. 95% non-condensing ■ Altitude: -300m to + 3,000m ■ Shock: 15g/11ms ■ Bump: 10g/16ms ■ Vibration (sinusoidal): 2g/10..150Hz ■ Conformal coating on request
Safety	<ul style="list-style-type: none"> ■ PCB manufactured with a flammability rating of 94V-0 by UL recognized manufacturers
EMC	<ul style="list-style-type: none"> ■ Tested according to EN 55022 (radio disturbance), IEC1000-4-2 (ESD) and IEC1000-4-4 (burst)
Software Support	<ul style="list-style-type: none"> ■ Driver software can be found in the data sheet of the CPU board that you use.

Configuration & Options

Standard Configurations

Article No.	Interfaces	SA-Adapters	Mass Storage	Position	Operation Temperature
02F600-00	2 COMs	to be ordered separately	SATA HD slot	right of CPU	0..+60°C

Options

Mass storage	<ul style="list-style-type: none"> ■ CompactFlash® interface instead of SATA hard disk <ul style="list-style-type: none"> □ Via AD95 adapter
UARTs	<ul style="list-style-type: none"> ■ Two additional UARTs instead of onboard SATA hard disk ■ 1 to 4 COMs possible

Please note that some of these options may only be available for large volumes. Please ask our sales staff for more information.

Ordering Information

Standard F600 Models	02F600-00	2 COM extensions and SATA hard disk slot, for F14 and compatible SBCs, -40..+85°C screened
Memory	0751-0028	CompactFlash® card, 2 GB, Type I, -40..+85°C, S.M.A.R.T. interface
	0751-0058	CompactFlash® card, 16 GB, Type I, fixed bit set, -40..+85°C
SA-Adapters™	You can find a more detailed overview of possible carrier board/SA-Adapter™ combinations along with software support in our option matrix (PDF) .	
	08SA01-00	RS232, not optically isolated, 0..+60°C
	08SA02-01	RS422/485, full duplex, optically isolated, 0..+60°C
	08SA02-07	RS422/485, full duplex, optically isolated, -40..+85°C screened
	08SA03-00	1 RS232, optically isolated, 0..+60°C
	08SA03-01	1 RS232, optically isolated, -40..+85°C screened
	08SA22-00	IBIS master SA-Adapter™, -40..+85°C screened
	08SA22-01	IBIS slave SA-Adapter™, -40..+85°C screened
	08SA25-00	GPS receiver, isolated, -40..+85°C screened
	08SA26-00	RS422 with 15-pin D-Sub connector, with handshake signals (RTS, CTS, DCD, DTR), coated, -40..+85°C screened
Miscellaneous Accessories	0710-0038	HDD SATA 2.5", 100 GB, 1.5GB/s, 4200rpm, -10°..+70°C
Documentation	Compare Chart 3U CompactPCI® / PlusIO CPU cards » Download	
	Compare Chart 3U CompactPCI® / PlusIO peripheral cards » Download	
	Compare Chart 3U CompactPCI® / PlusIO extension cards » Download	
	20F600-00	F600 User Manual

Contact Information

Germany

MEN Mikro Elektronik GmbH
Neuwieder Straße 3-7
90411 Nuremberg
Phone +49-911-99 33 5-0
Fax +49-911-99 33 5-901

info@men.de
www.men.de

France

MEN Mikro Elektronik SA
18, rue René Cassin
ZA de la Châtelaine
74240 Gaillard
Phone +33 (0) 450-955-312
Fax +33 (0) 450-955-211

info@men-france.fr
www.men-france.fr

USA

MEN Micro Inc.
860 Penllyn Blue Bell Pike
Blue Bell, PA 19422
Phone (215) 542-9575
Fax (215) 542-9577

sales@menmicro.com
www.menmicro.com

The date of issue stated in this data sheet refers to the Technical Data only. Changes in ordering information given herein do not affect the date of issue. All brand or product names are trademarks or registered trademarks of their respective holders.

MEN is not responsible for the results of any actions taken on the basis of information in the publication, nor for any error in or omission from the publication.

MEN expressly disclaims all and any liability and responsibility to any person, whether a reader of the publication or not, in respect of anything, and of the consequences of anything, done or omitted to be done by any such person in reliance, whether wholly or partially, on the whole or any part of the contents of the publication.

The correct function of MEN products in mission-critical and life-critical applications is limited to the environmental specification given for each product in the technical user manual. The correct function of MEN products under extended environmental conditions is limited to the individual requirement specification and subsequent validation documents for each product for the applicable use case and has to be agreed upon in writing by MEN and the customer. Should the customer purchase or use MEN products for any unintended or unauthorized application, the customer shall indemnify and hold MEN and its officers, employees, subsidiaries, affiliates, and distributors harmless against all claims, costs, damages, and expenses, and reasonable attorney fees arising out of, directly or indirectly, any claim or personal injury or death associated with such unintended or unauthorized use, even if such claim alleges that MEN was negligent regarding the design or manufacture of the part.

In no case is MEN liable for the correct function of the technical installation where MEN products are a part of.

Copyright © 2013 MEN Mikro Elektronik GmbH. All rights reserved.