



Turn to Shaper for an extensive collection of architectural, specification-grade decorative lighting fixtures featuring distinctive designs for both interior and exterior applications.

Shaper



Shaper luminaires are ideal for commercial, education, retail, hospitality, healthcare and high-end, modern residential spaces and are offered in both traditional and contemporary styles. Our products are distinguished by their architectural character, along with a focus on simplicity of design and balanced proportions with the possibility of extensive modifications for standard products to meet project specific solutions.



FABRIQUE PENDANT



101-P Series
Page 13-7



102-P Series
Page 13-8



106-P Series
Page 13-9



107-P Series
Page 13-10



108-P Series
Page 13-11



109-P Series
Page 13-12



105 Series
Page 13-13

FABRIQUE MINI-TRACK

FABRIQUE SURFACE



101-S Series
Page 13-14



102-S Series
Page 13-15



106-S Series
Page 13-16



107-S Series
Page 13-17



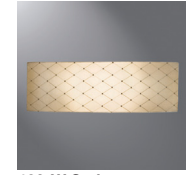
108-S Series
Page 13-18



109-S Series
Page 13-19



102-WMTA Series
Page 13-20



103-W Series
Page 13-21

FABRIQUE WALL



104-W Series
Page 13-22



106-WMTA Series
Page 13-23



107-WMTA Series
Page 13-24



108-WMTA Series
Page 13-25



109-WMTA Series
Page 13-26



110-W Series
Page 13-27



111-W Series
Page 13-28

INTERIOR SURFACE



208 Series
Page 13-29



210 Series
Page 13-29



210D Series
Page 13-30



213 Series
Page 13-30



226 Series
Page 13-31



230 Series
Page 13-31



233 Series
Page 13-32



240 Series
Page 13-32



248 Series
Page 13-33



260 Series
Page 13-33



260A Series
Page 13-34



271 Series
Page 13-34



273 Series
Page 13-35



278 Series
Page 13-35



293 Series
Page 13-36



293S Series
Page 13-36

FARALLON PENDANT



300 Series
Page 13-37



301 Series
Page 13-37



306 Series
Page 13-38



308 Series
Page 13-38



329 Series
Page 13-39

FARALLON RECESSED GLASS DOWNLIGHTS



340-4 CFL DL Series
Page 13-40



340-4 LED DL Series
Page 13-41



340-6 CFL DL Series
Page 13-42

INTERIOR PENDANT



340-6 LED DL Series
Page 13-43



404 Series
Page 13-44



406 Series
Page 13-44



415 Series
Page 13-45



415D Series
Page 13-46



417 Series
Page 13-47



420 Series
Page 13-47



422 Series
Page 13-48



429 Series
Page 13-48



432 Series
Page 13-49



434 Series
Page 13-49



440 Series
Page 13-50



441 Series
Page 13-50



444 Series
Page 13-51



449 Series
Page 13-51



461 Series
Page 13-52



461A Series
Page 13-52



472 Series
Page 13-53



474 Series
Page 13-53



476 Series
Page 13-54



482 Series
Page 13-54



494 Series
Page 13-55



494S Series
Page 13-55



499 Series
Page 13-56

INTERIOR RECESSED PENDANT



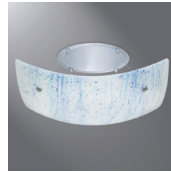
420RP Series
Page 13-57



445RP Series
Page 13-57



494RP Series
Page 13-58



497RP Series
Page 13-58



498RP Series
Page 13-59



498RPTR Series
Page 13-59



499RP Series
Page 13-60



499RPTR Series
Page 13-60

HIGH PERFORMANCE PENDANT



1200 Series
Page 13-61



1215/2TR Series
Page 13-62



1215/TTR Series
Page 13-63



1220/2TR Series
Page 13-64



1220/TTR Series
Page 13-65



1240 Series
Page 13-66



1250 Series
Page 13-67



1250/3R Series
Page 13-68

HIGH PERFORMANCE MULTI-FIXTURE

HIGH PERFORMANCE SURFACE

HIGH PERFORMANCE WALL



1250/ATR Series
Page 13-69



1250/STR Series
Page 13-70



1270 Series
Page 13-71



1300-P Series
Page 13-72



1300-FSS2F Series
Page 13-73



1300-S Series
Page 13-74



1300-DLAW Series
Page 13-75

FARALLON WALL



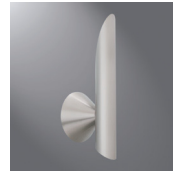
500 Series
Page 13-76



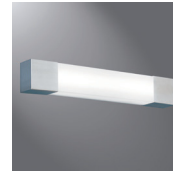
501 Series
Page 13-76



506 Series
Page 13-77



526 Series
Page 13-77



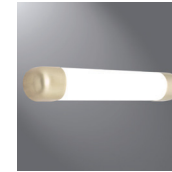
600 Series
Page 13-78



601 Series
Page 13-78



603 Series
Page 13-79

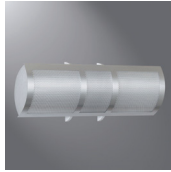


604 Series
Page 13-79

INTERIOR WALL



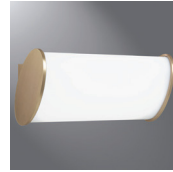
605 Series
Page 13-80



606 Series
Page 13-80



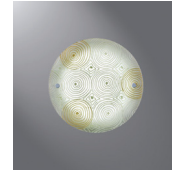
607 Series
Page 13-81



608 Series
Page 13-81



611 Series
Page 13-82



613 Series
Page 13-83



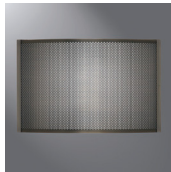
622 Series
Page 13-84



624 Series
Page 13-84



632 Series
Page 13-85



635 Series
Page 13-85



640 Series
Page 13-86



641 Series
Page 13-86



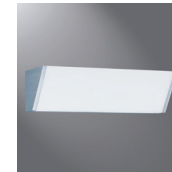
642 Series
Page 13-87



642A Series
Page 13-87



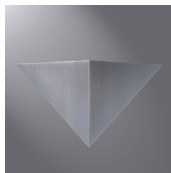
643 Series
Page 13-88



645 Series
Page 13-88



648 Series
Page 13-89



651 Series
Page 13-89



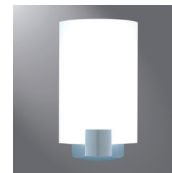
652 Series
Page 13-90



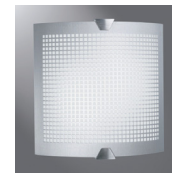
653 Series
Page 13-90



658 Series
Page 13-91



661 Series
Page 13-91



662 Series
Page 13-92



673 Series
Page 13-92



674 Series
Page 13-93



683 Series
Page 13-93



687 Series
Page 13-94



689 Series
Page 13-94



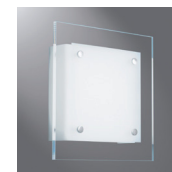
692 Series
Page 13-95



693 Series
Page 13-95



693S Series
Page 13-96

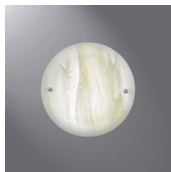


698 Series
Page 13-96

EXTERIOR WALL



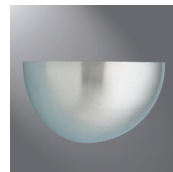
1300-WP Series
Page 13-97



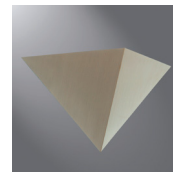
613-WP Series
Page 13-98



632-WP Series
Page 13-99



641-WP Series
Page 13-99



651-WP Series
Page 13-100



660-WP Series
Page 13-100



666-WP Series
Page 13-101



672-WP Series
Page 13-101



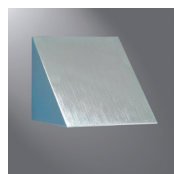
673-WP Series
Page 13-102



674-WP Series
Page 13-102



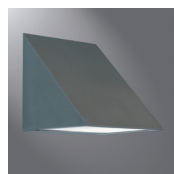
676-WP Series
Page 13-103



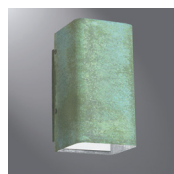
682-WP Series
Page 13-103



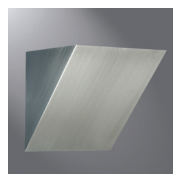
683-WP Series
Page 13-104



684-WP Series
Page 13-104



685-WP Series
Page 13-105



687-WP Series
Page 13-105



692-WP Series
Page 13-106



693-WP Series
Page 13-106



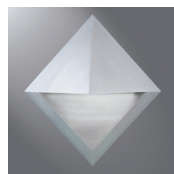
694-WP Series
Page 13-107



694RB-WP Series
Page 13-107



695-WP Series
Page 13-108



695DB-WP Series
Page 13-108



697-WP Series
Page 13-109

EXTERIOR BOLLARD

EXTERIOR POST TOP



901 Series
Page 13-110



982 Series
Page 13-110



902 Series
Page 13-111



902-PT Series
Page 13-112



982-PT Series
Page 13-113



FEATURES

- Fabric on translucent white styrene tucked on white welded steel frame
- Integral electronic HPF, multi-volt 120/277V (347V Canada)
- Standard Shantung White material
- Standard Natural Aluminum finish
- Special-order premium materials and finishes
- Shade-in-a-Shade, various bamboo, vinyl and pleated material options
- Universal integral mounting strap to standard 4" J-box or plaster ring
- UL and CUL approved for interior applications

Compliances may not apply to all product configurations. Please consult the product spec sheet for compliance details.

COMPLIANCES: UL/cUL Listed, ARRA Compliant

101-P SERIES



ORDERING INFORMATION

SAMPLE NUMBER: 101-38-PSJWAC-T5/2/21-120V-NA-SBG-24

Series	Size	Mounting Types	Lamp	Voltage	Finish
101=Rectilinear Pendant	38=38" 48=48"	P2S=Double Stem PSJCAC=Pendant Aircraft Cable with Clear SJ Cord PSJWAC=Pendant Aircraft Cable with White SJ Cord	INC/3/60 ¹ INC/4/60 ² T5/2/21 ¹ T5/2/28 ² T5/2/39HO ¹ T5/2/54HO ²	120V 277V ³ 347V ³	Premium CC=Custom Color GNM=Gun Metal MW=Matte White OBRS=Oxidized Brass OCP=Oxidized Copper PB=Polished Brass PC=Polished Chrome PCP=Polished Copper PN=Polished Nickel SAL=Lacquered Satin Aluminum SB=Satin Brass SC=Satin Chrome SCP=Satin Copper SN=Satin Nickel Standard NA=Natural Aluminum
Material		Options		OA	
Premium ABB=FSC Amber Bamboo ^{4,5} ABR=Alabaster AMS=Aluminum Shimmer APX=Apex BZS=Bronze Shimmer CCT=Chintz Chocolate CSCC=Customer Supplied Custom Color ⁶ CXH=Chintz Onyx GFX=Glasgow Flax GHY=Golden Honey GSH=Grass Cloth HTG=Heather Grey ⁴ LAT=Linen Alabaster LBS=Linen Biscuit		LCK=Linen Chopsticks NFX=Natural Flax NGS=Nutmeg Shimmer NLB=FSC Natural Bamboo ^{4,5} PPF=Paper Leaf SBG=Shantung Beige SEG=Shantung Eggshell SIY=Silk Ivory SWH=Shantung White VDB=FSC Variegated Bamboo ^{4,5} WCA=White Corona WHK=White Krinkle Standard SWH=Shantung White		CBP=Casual "Box" Pleat DMA10=Dimming Ballast (Advance Mark 10) ^{7,8} DMA7=Dimming Ballast (Advance Mark 7) ^{7,9} DML=Dimming Ballast (Lutron) ^{3,10} EMP="European Mushroom" Pleat IEM=Integral Emergency Ballast ³ SCA=Sloped Ceiling Adaptor ¹¹ SIS-EDIT=Shade-In-Shade, Earth Dust SIS-SMO=Shade-In-Shade, Silver Moon SIS-WMT=Shade-In-Shade, White Mist TC=Matte White Acrylic Top Cover	

NOTES: 1. Available in 38". 2. Available in 48". 3. Available with T5 only. 4. Many materials appear differently when illuminated. As an example, the wood appears to be more amber when illuminated. It is recommended to view all samples illuminated prior to making final selection. 5. Forest Stewardship Councils (FSC) role is to bring together people, organizations and businesses of the Global South and North to develop consensus-based solutions that promote responsible stewardship of the world's forests. Visit www.fsc.org for more details. 6. Shaper can accommodate Customer Supplied Fabric orders. Please contact your representative for details and minimum quantities. 7. Available in T5/2/54HO (101-48-P) lamping only. 8. Mark 10® is a registered trademark of Phillips Advance. 9. Mark 7® is a registered trademark of Phillips Advance. 10. Lutron® is a registered trademark of Lutron Electronics Co., Inc. 11. Specify up to 45° (Horizontal Mount only).

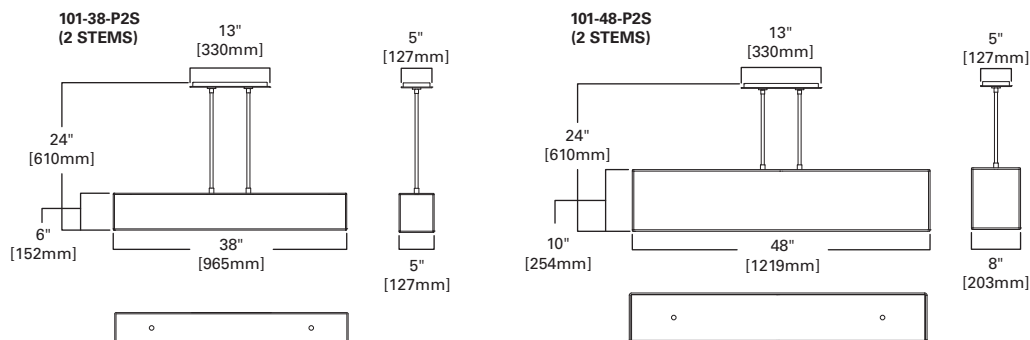
ALTERNATE MATERIALS AND FINISHES



101-P-CCT



101-P-CCS



Specifications and dimensions subject to change without notice. Consult your Cooper Lighting Representative or visit www.cooperlighting.com for available options, accessories and ordering information.

FEATURES

- Fabric on translucent white styrene tucked on white welded steel frame
- Integral electronic HPF, multi-volt 120/277V (347V Canada)
- Standard Shantung White material
- Standard Natural Aluminum finish
- Special-order premium materials and finishes
- Bamboo, vinyl and pleated material options available
- Circle strap mounting canopy or bar strap to 4" J-box or plaster ring
- UL and CUL approved for interior locations

Compliances may not apply to all product configurations. Please consult the product spec sheet for compliance details.

COMPLIANCES: UL/cUL Listed, ARRA Compliant



102-P SERIES



ORDERING INFORMATION

SAMPLE NUMBER: 102-24-P1S-CFL/3/32-277V-OCP-CNK-24

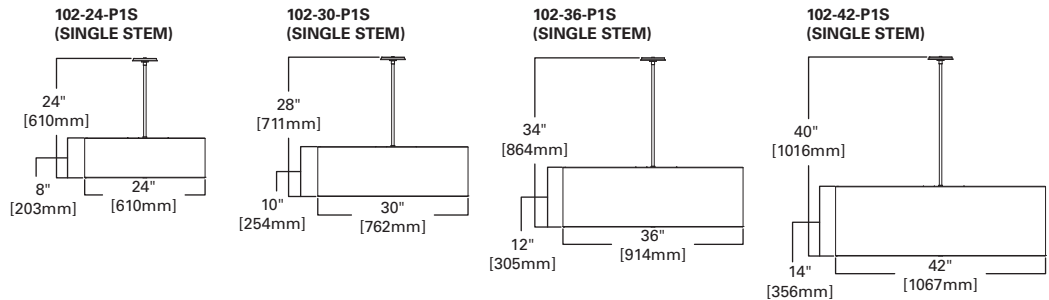
Series	Size	Mounting Type	Lamp	Voltage	Finish					
102=Drum Pendant	24=24" 30=30" 36=36" 42=42"	P1S=Single Stem P1SAC=Pendant Single Stem with Aircraft Cable	CFL/3/26 ^{1,2} CFL/3/32 ^{1,2} CFL/3/42 ² CFL/4/32 ^{3,4} CFL/4/42 ^{3,4} INC/3/60 ^{1,2} INC/4/60 ^{3,4}	120V 277V ⁵ 347V ⁵	Premium CC=Custom Color GNM=Gun Metal MW=Matte White OBRS=Oxidized Brass OCP=Oxidized Copper PB=Polished Brass	PC=Polished Chrome PCP=Polished Copper PN=Polished Nickel SAL=Lacquered Satin Aluminum SB=Satin Brass	SC=Satin Chrome SCP=Satin Copper SN=Satin Nickel Standard NA=Natural Aluminum			
Material		Options			OA					
Premium ABB=FSC Amber Bamboo ^{6,7} ABR=Alabaster AMS=Aluminum Shimmer APX=Apex BZS=Bronze Shimmer CCT=Chintz Chocolate CSCC=Customer Supplied Custom Color ⁸ CXH=Chintz Onyx GFX=Glasgow Flax GHY=Golden Honey GSH=Grass Cloth HTG=Heather Grey ⁶ LAT=Linen Alabaster LBS=Linen Biscuit		LCK=Linen Chopsticks NFX=Natural Flax NGS=Nutmeg Shimmer NLB=FSC Natural Bamboo ^{6,7} PPF=Paper Leaf SBG=Shantung Beige SEG=Shantung Eggshell SIW=Silk White SIY=Silk Ivory VDB=FSC Variegated Bamboo ^{6,7} WCA=White Corona WHK=White Krinkle Standard SWH=Shantung White			CBP=Casual "Box" Pleat DMA10=Dimming Ballast (Advance Mark 10) ^{5,9} DMA7=Dimming Ballast (Advance Mark 7) ^{5,10} DML=Dimming Ballast (Lutron) ^{5,11} EMP="European Mushroom" Pleat IEM=Integral Emergency Ballast ⁵ SCA=Sloped Ceiling Adaptor ¹² TC=Matte White Acrylic Top Cover			24" Diameter=24" OA 30" Diameter=28" OA 36" Diameter=34" OA 42" Diameter=40" OA or specify		

NOTES: 1. Available in 24". 2. Available in 30". 3. Available in 42". 4. Available in 36". 5. Available with CFL only. 6. Many materials appear differently when illuminated. As an example, the wood appears to be more amber when illuminated. It is recommended to view all samples illuminated prior to making final selection. 7. Forest Stewardship Councils (FSC) role is to bring together people, organizations and businesses of the Global South and North to develop consensus-based solutions that promote responsible stewardship of the world's forests. Visit www.fsc.org for more details. 8. Shaper can accommodate Customer Supplied Fabric orders. Please contact your representative for details and minimum quantities. 9. Mark 10® is a registered trademark of Phillips Advance. 10. Mark 7® is a registered trademark of Phillips Advance. 11. Lutron® is a registered trademark of Lutron Electronics Co., Inc. 12. Specify up to 45°.

ALTERNATE MATERIALS AND FINISHES



102-P-SBG





FEATURES

- Fabric on translucent white styrene tucked on white welded steel frame
- Integral electronic HPF, multi-volt 120/277V (347V Canada)
- Standard Silk White material
- Standard Natural Aluminum finish
- Special-order premium materials and finishes
- Bamboo, vinyl and pleated material options available
- Universal integral mounting strap to standard 4" J-Box or plaster ring
- UL and CUL approved for interior locations

Compliances may not apply to all product configurations. Please consult the product spec sheet for compliance details.

COMPLIANCES: UL/cUL Listed, ARRA Compliant

106-P SERIES



ORDERING INFORMATION

SAMPLE NUMBER: 106-28-P1SAC-T5/3/14-120V-NA-SWH-DML-TC-42

Series	Size	Mounting Types	Lamp	Voltage	Finish				
106=Round Cylinder Pendant	28=28" 40=40" 52=52"	3FCL=3-Fixture Pendant Cluster 4FCL=4-Fixture Pendant Cluster P1S=Single Stem P1SAC=Single Stem with Aircraft Cable	T5/3/14 ¹ T5/3/21 ² T5/3/24HO ¹ T5/3/28 ³ T5/3/39HO ² T5/3/54HO ³	120V 277V 347V	Premium ALP=Aluminum Paint BM=Bronze Metallic Paint CC=Custom Color GNM=Gun Metal MW=Matte White OBRS=Oxidized Brass	OCP=Oxidized Copper PB=Polished Brass ⁴ PC=Polished Chrome ⁴ PCP=Polished Copper PN=Polished Nickel ⁴ SAL=Lacquered Satin Aluminum	SB=Satin Brass SC=Satin Chrome SCP=Satin Copper SN=Satin Nickel Standard NA=Natural Aluminum		
Materials			Options				OA		
Premium ABB=FSC Amber Bamboo ^{5,6} ABR=Alabaster ^{1,2} AMS=Aluminum Shimmer APX=Apex BZS=Bronze Shimmer CCT=Chintz Chocolate CSCC=Customer Supplied Custom Color ⁷ CXH=Chintz Onyx GFY=Glasgow Flax GHY=Golden Honey ^{1,2} HTG=Heather Grey ⁵ LAT=Linen Alabaster ^{1,2} LBS=Linen Biscuit ^{1,2}			LCK =Linen Chopsticks ^{1,2} NFX =Natural Flax ^{1,2} NGS =Nutmeg Shimmer NLB =FSC Natural Bamboo ^{5,6} PPF =Paper Leaf ^{1,2} SBG =Shantung Beige SEG =Shantung Eggshell SIY =Silk Ivory SWH =Shantung White ^{1,2} VDB =FSC Variegated Bamboo ^{5,6} WCA =White Corona WHK =White Krinkle ^{1,2} Standard SIW =Silk White				CRDSIS/EDT =Center Round Shade-In-Shade, Earth Dust CRDSIS/SMO =Center Round Shade-In-Shade, Silver Moon CRDSIS/WMT =Center Round Shade-In-Shade, White Mist DMA10 =Dimming Ballast (Advance Mark 10) ^{8,9} DMA7 =Dimming Ballast (Advance Mark 7) ^{8,10} DML =Dimming Ballast (Lutron) ¹¹ EMP ="European Mushroom" Pleat IEM =Integral Emergency Ballast MMRDL =Metal Motif, Round, Lune ¹² MMRDS =Metal Motif, Round, Salinon ¹² MMRDT =Metal Motif, Round, Tangent ¹²	MPRD/EDTR =Metal Panel Round, Earth Dust Resin ¹² MPRD/SMOR =Metal Panel Round, Silver Moon Resin ¹² MPRD/WMTR =Metal Panel Round, White Mist Resin ¹² RSQSI-WMT =Square Shade-In-Shade, White Mist RSQSI/EDT =Round Square Shade-In-Shade, Earth Dust RSQSI/SMO =Round Square Shade-In-Shade, Silver Moon SCA =Sloped Ceiling Adaptor ¹³ TC =Matte White Acrylic Top Cover TRDSIS/EDT =Top Round Shade-In-Shade, Earth Dust TRDSIS/SMO =Top Round Shade-In-Shade, Silver Moon TRDSIS/WMT =Top Round Shade-In-Shade, White Mist	(3FCL) 28" Ht.=92" OA ¹⁴ 40" Ht.=122" OA ¹⁴ 52" Ht.=152" OA ¹⁴ (4CL) 28" Ht.=112" OA ¹⁴ 40" Ht.=152" OA ¹⁴ 52" Ht.=192" OA ¹⁴ (P1S and P1SAC) 28" Ht.=40" OA ¹⁴ 40" Ht.=52" OA ¹⁴ 52" Ht.=64" OA ¹⁴

NOTES: 1. Available in 28". 2. Available in 40". 3. Available in 52". 4. Not available with Metal Motif options. 5. Many materials appear differently when illuminated. As an example, the wood appears to be more amber when illuminated. It is recommended to view all samples illuminated prior to making final selection. 6. Forest Stewardship Councils (FSC) role is to bring together people, organizations and businesses of the Global South and North to develop consensus-based solutions that promote responsible stewardship of the world's forests. Visit www.fsc.org for more details. 7. Shaper can accommodate Customer Supplied Fabric orders. Please contact your representative for details and minimum quantities. 8. Available in T5/3/54HO (106-52-P) lamping only. 9. Mark 10® is a registered trademark of Phillips Advance. 10. Mark 7® is a registered trademark of Phillips Advance. 11. Lutron® is a registered trademark of Lutron Electronics Co., Inc. 12. Patent Pending. 13. Specify for sloped ceiling applications from 18° to 45°. 14. Or specify.

ALTERNATE MATERIALS AND FINISHES



106-P-52-VDB



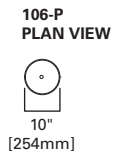
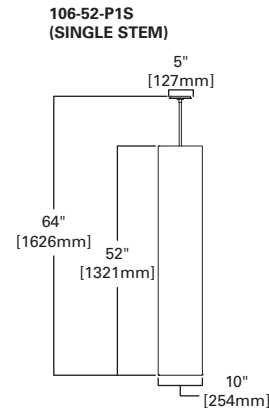
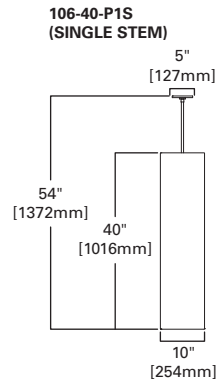
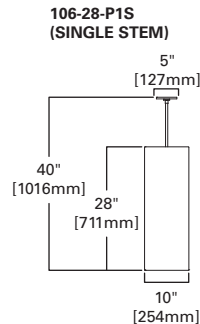
106-P-28-SIW



106-P-CRDSIS



106-P-40-MMRDT



Specifications and dimensions subject to change without notice. Consult your Cooper Lighting Representative or visit www.cooperlighting.com for available options, accessories and ordering information.

FEATURES

- Fabric on translucent white styrene tucked on white welded steel frame
- Integral electronic HPF, multi-volt 120/277V (347V Canada)
- Standard Silk White material
- Standard Natural Aluminum finish
- Special-order premium materials and finishes
- Bamboo, vinyl and pleated material options available
- Universal integral mounting strap to standard 4" J-Box or plaster ring
- UL and CUL approved for interior locations

Compliances may not apply to all product configurations. Please consult the product spec sheet for compliance details.

COMPLIANCES: UL/cUL Listed, ARRA Compliant



107-P SERIES



ORDERING INFORMATION

SAMPLE NUMBER: 107-40-P1SAC-T5/3/21-277V-OCP-CCT-EMP-TC-52

Series	Size	Mounting Types	Lamp	Voltage	Finish					
107=Square Cylinder Pendant	28=28" 40=40" 52=52"	3FCL=3-Fixture Pendant Cluster 4FCL=4-Fixture Pendant Cluster P1S=Single Stem P1SAC=Single Stem with Aircraft Cable	T5/3/14 ¹ T5/3/21 ² T5/3/24HO ¹ T5/3/28 ³ T5/3/39HO ² T5/3/54HO ³	120V 277V 347V	Premium ALP=Aluminum Paint CC=Custom Color GNM=Gun Metal MB=Matte Black MW=Matte White OBRS=Oxidized Brass	OCP=Oxidized Copper PB=Polished Brass ⁴ PC=Polished Chrome ⁴ PCP=Polished Copper ⁴ PN=Polished Nickel ⁴ SAL=Lacquered Satin Aluminum	SB=Satin Brass SC=Satin Chrome SCP=Satin Copper SN=Satin Nickel Standard NA=Natural Aluminum			
Materials		Options			OA					
Premium ABB=FSC Amber Bamboo ^{5,6} ABR=Alabaster ^{1,2} AMS=Aluminum Shimmer APX=Apex BZS=Bronze Shimmer CCT=Chintz Chocolate CSCC=Customer Supplied Custom Color ⁷ CXH=Chintz Onyx GFX=Glasgow Flax ^{1,2} GHY=Golden Honey ^{1,2} HTG=Heather Grey ⁷ LAT=Linen Alabaster ^{1,2} LBS=Linen Biscuit ^{1,2}		LCK=Linen Chopsticks ^{1,2} NFX=Natural Flax ^{1,2} NGS=Nutmeg Shimmer NLB=FSC Natural Bamboo ^{5,6} PPF=Paper Leaf ^{1,2} SBG=Shantung Beige SEG=Shantung Eggshell SIY=Silk Ivory SWH=Shantung White ^{1,2} VDB=FSC Variegated Bamboo ^{5,6} WCA=White Corona WHK=White Krinkle ^{1,2} Standard SIW=Silk White			CBP="Casual" Box Pleat CSQSSIS/EDT=Center Square Shade-In-Shade, Earth Dust CSQSSIS/SMO=Center Square Shade-In-Shade, Silver Moon CSQSSIS/WMT=Center Square Shade-In-Shade, White Mist DMA10=Dimming Ballast (Advance Mark 10) ^{8,9} DMA7=Dimming Ballast (Advance Mark 7) ^{8,10} DML=Dimming Ballast (Lutron) ¹¹ EMP="European Mushroom" Pleat IEM=Integral Emergency Ballast MMSQC=Metal Motif, Square, Curvilinear ¹² MMSQM=Metal Motif, Square, Mondrian ¹² MMSQR=Metal Motif, Square, Rhombus ¹² MMSQT=Metal Motif, Square, Tangent ¹² MPSQ/EDTR=Metal Panel Square, Earth Dust Resin ¹² MPSQ/SMOR=Metal Panel Square, Silver Moon Resin ¹² MPSQ/WMTR=Metal Panel Square, White Mist Resin ¹² SCA=Sloped Ceiling Adaptor ¹³ TC=Matte White Acrylic Top Cover TSQSSIS/EDT=Top Square Shade-In-Shade, Earth Dust TSQSSIS/SMO=Top Square Shade-In-Shade, Earth Dust TSQSSIS/WMT=Top Square Shade-In-Shade, White Mist			(3FCL) 28" Ht.=92" OA ¹⁴ 40" Ht.=122" OA ¹⁴ 52" Ht.=152" OA ¹⁴ (4CL) 28" Ht.=112" OA ¹⁴ 40" Ht.=152" OA ¹⁴ 52" Ht.=192" OA ¹⁴ (P1S and P1SAC) 28" Ht.=40" OA ¹⁴ 40" Ht.=52" OA ¹⁴ 52" Ht.=64" OA ¹⁴		

NOTES: 1. Available in 28". 2. Available in 40". 3. Available in 52". 4. Not available with Metal Motif options. 5. Many materials appear differently when illuminated. As an example, the wood appears to be more amber when illuminated. It is recommended to view all samples illuminated prior to making final selection. 6. Forest Stewardship Councils (FSC) role is to bring together people, organizations and businesses of the Global South and North to develop consensus-based solutions that promote responsible stewardship of the world's forests. Visit www.fsc.org for more details. 7. Shaper can accommodate Customer Supplied Fabric orders. Please contact your representative for details and minimum quantities. 8. Available in T5/3/54HO (107-52-P) lamping only. 9. Mark 10® is a registered trademark of Phillips Advance. 10. Mark 7® is a registered trademark of Phillips Advance. 11. Lutron® is a registered trademark of Lutron Electronics Co., Inc. 12. Patent Pending. 13. Specify for sloped ceiling applications from 18° to 45°. 14. Or specify.

ALTERNATE MATERIALS AND FINISHES



107-P-40-SDE



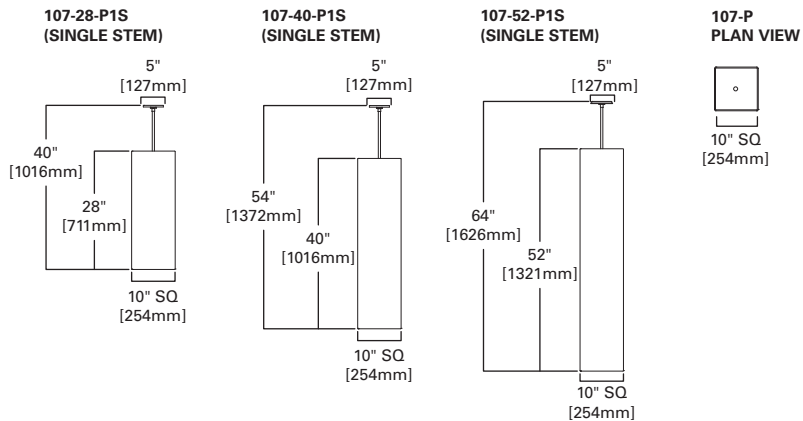
107-P-28-ABB



107-P-28-SM-MDN-SEG



107-P-28-BM-FSQSIS



Specifications and dimensions subject to change without notice. Consult your Cooper Lighting Representative or visit www.cooperlighting.com for available options, accessories and ordering information.



FEATURES

- Fabric on white stretch lining on tapered white steel frame
- Integral electronic HPF, multi-volt 120/277V (347V Canada)
- Standard Silk White material
- Standard Natural Aluminum finish
- Special-order premium materials and finishes
- Universal integral mounting strap to standard 4" J-box or plaster ring
- UL and CUL approved for interior locations

Compliances may not apply to all product configurations. Please consult the product spec sheet for compliance details.

COMPLIANCES: UL/cUL Listed, ARRA Compliant



108-P SERIES

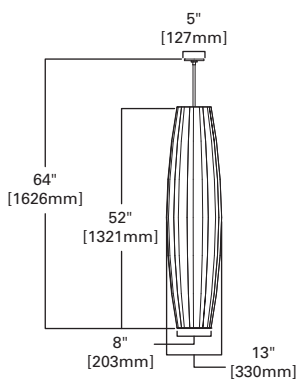
ORDERING INFORMATION

SAMPLE NUMBER: 108-52-P1S-T5/3/28-120V-OBRS-SBG-EMP-TC-SCA-64

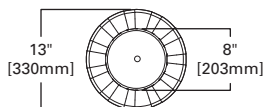
Series	Size	Mounting Type	Lamp	Voltage	Finish		
108=Tapered Cylinder Pendant	52=52"	P1S=Single Stem	T5/3/28 T5/3/54HO	120V 277V 347V	Premium ALP=Aluminum Paint BM=Bronze Metallic Paint CC=Custom Color GNM=Gun Metal MW=Matte White OBRS=Oxidized Brass	OCP=Oxidized Copper PB=Polished Brass PC=Polished Chrome PCP=Polished Copper PN=Polished Nickel SAL=Lacquered Satin Aluminum SB=Satin Brass	SC=Satin Chrome SCP=Satin Copper SN=Satin Nickel Standard NA=Natural Aluminum
Material					Options		OA
Premium AMS=Aluminum Shimmer APX=Apex BZS=Bronze Shimmer CCT=Chintz Chocolate CSCC=Customer Supplied Custom Color ¹ CXH=Chintz Onyx HTG=Heather Grey ²			NGS=Nutmeg Shimmer SBG=Shantung Beige SEG=Shantung Eggshell SIY=Silk Ivory WCA=White Corona Standard SIW=Silk White		DMA10=Dimming Ballast (Advance Mark 10) ^{3,4} DMA7=Dimming Ballast (Advance Mark 7) ^{3,5} DML=Dimming Ballast (Lutron) ⁶ IEM=Integral Emergency Ballast SCA=Sloped Ceiling Adaptor ⁷ TC=Matte White Acrylic Top Cover		52" Ht.=64" OA ⁸

NOTES: 1. Shaper can accommodate Customer Supplied Fabric orders. Please contact your representative for details and minimum quantities. 2. Many materials appear differently when illuminated. As an example, the wood appears to be more amber when illuminated. It is recommended to view all samples illuminated prior to making final selection. 3. Available in T5/3/54HO lamping only. 4. Mark 10® is a registered trademark of Phillips Advance. 5. Mark 7® is a registered trademark of Phillips Advance. 6. Lutron® is a registered trademark of Lutron Electronics Co., Inc. 7. Specify for sloped ceiling applications from 18° to 45°. 8. Or specify.

108-52-P1S (SINGLE STEM)



108-P-PLAN VIEW



Specifications and dimensions subject to change without notice. Consult your Cooper Lighting Representative or visit www.cooperlighting.com for available options, accessories and ordering information.

FEATURES

- Fabric on translucent white styrene tucked on white welded steel frame
- Integral electronic HPF, multi-volt 120/277V (347V Canada)
- Standard Shantung White material
- Standard Natural Aluminum finish
- Special-order premium materials and finishes
- Bamboo, vinyl and pleated material options available
- Universal integral mounting strap to standard 4" J-box or plaster ring
- UL and CUL approved for interior locations

Compliances may not apply to all product configurations. Please consult the product spec sheet for compliance details.
COMPLIANCES: UL/cUL Listed, ARRA Compliant



109-P SERIES



ORDERING INFORMATION

SAMPLE NUMBER: 109-30-P1SAC-T5HO/3/24-120V-SN-SDE-CBP-DML-42

Series	Size	Mounting Types	Lamp	Voltage	Finish					
109=Cube Pendant	18=18" 24=24" 30=30"	P1S=Pendant Single Stem P1SAC=Single Stem with Aircraft Cable	CFL/2/26 ¹ CFL/3/42 ² INC/2/60 ¹ INC/3/60 ² INC/4/60 ³ T5HO/3/24 ³	120V 277V ^{4,5} 347V ^{4,5}	Premium ALP=Aluminum Paint BM=Bronze Metallic Paint CC=Custom Color GNM=Gun Metal MW=Matte White OBRS=Oxidized Brass	OCP=Oxidized Copper PB=Polished Brass PC=Polished Chrome PCP=Polished Copper PN=Polished Nickel SAL=Lacquered Satin Aluminum	SB=Satin Brass SC=Satin Chrome SCP=Satin Copper SN=Satin Nickel Standard NA=Natural Aluminum			
Material		Options			OA					
Premium ABB=FSC Amber Bamboo ^{6,7} ABR=Alabaster AMS=Aluminum Shimmer APX=Apex BZS=Bronze Shimmer CCT=Chintz Chocolate CSCC=Customer Supplied Custom Color ⁸ CXH=Chintz Onyx GFX=Glasgow Flax GHY=Golden Honey GSH=Grass Cloth HTG=Heather Grey ⁶ LAT=Linen Alabaster LBS=Linen Biscuit		LCK=Linen Chopsticks NFX=Natural Flax NGS=Nutmeg Shimmer NLB=FSC Natural Bamboo ^{6,7} PPF=Paper Leaf SBG=Shantung Beige SEG=Shantung Eggshell SIW=Silk White SIY=Silk Ivory VDB=FSC Variegated Bamboo ^{6,7} WCA=White Corona WHK=White Krinkle Standard SWH=Shantung White			CBP="Casual" Box Pleat DMA10=Dimming Ballast (Advance Mark 10) ^{2,5,1,9} DMA7=Dimming Ballast (Advance Mark 7) ^{2,5,1,10} DML=Dimming Ballast (Lutron) ¹¹ EMP="European Mushroom" Pleat IEM=Integral Emergency Ballast SCA=Sloped Ceiling Adaptor ¹² TC=Matte White Acrylic Top Cover			18" Diameter=30" OA ¹³ 24" Diameter=36" OA ¹³ 30" Diameter=42" OA ¹³		

NOTES: 1. Available in 18". 2. Available in 24". 3. Available in 30". 4. Available with T5 only. 5. Available with CFL only. 6. Many materials appear differently when illuminated. As an example, the wood appears to be more amber when illuminated. It is recommended to view all samples illuminated prior to making final selection. 7. Forest Stewardship Councils (FSC) role is to bring together people, organizations and businesses of the Global South and North to develop consensus-based solutions that promote responsible stewardship of the world's forests. Visit www.fsc.org for more details. 8. Shaper can accommodate Customer Supplied Fabric orders. Please contact your representative for details and minimum quantities. 9. Mark 10® is a registered trademark of Phillips Advance. 10. Mark 7® is a registered trademark of Phillips Advance. 11. Lutron® is a registered trademark of Lutron Electronics Co., Inc. 12. Specify for sloped ceiling applications from 18° to 45°. 13. Or specify.

ALTERNATE MATERIALS AND FINISHES



109-P-30-CBP

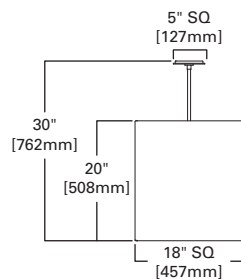


109-P-30-AMS

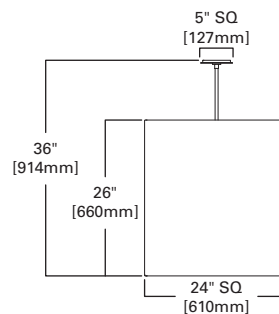


109-P-VDB

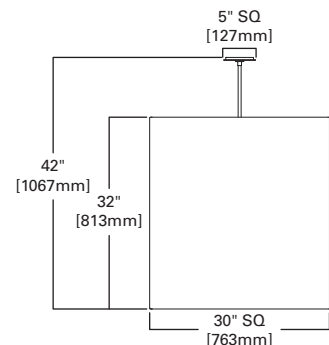
109-18-P1S (SINGLE STEM)



109-24-P1S (SINGLE STEM)



109-30-P1S (SINGLE STEM)



Specifications and dimensions subject to change without notice. Consult your Cooper Lighting Representative or visit www.cooperlighting.com for available options, accessories and ordering information.



105 SERIES

FEATURES

- Shades are solid cold-rolled steel construction
- UL/CSA listed for Cooper Lighting Track systems
- Incandescent, Halogen or CFL lamps
- Standard Natural Aluminum finish
- Available in a variety of shapes and mounting options
- Bamboo and vinyl material options available
- Circle strap mounting canopy or bar strap to 4" J-box or plaster ring
- UL and CUL approved for interior locations

Compliances may not apply to all product configurations. Please consult the product spec sheet for compliance details.
COMPLIANCES: UL/cUL Listed, ARRA Compliant



ORDERING INFORMATION

SAMPLE NUMBER: 105-PCSJ-CNS-INC/1/25-120V-SC-LAT-24

Series	Mounting Types	Shape	Lamp	Voltage	Finish	Halo Track Systems ⁹	
105=Mini Pendant	H-LF1 P1S =Pendant Single Stem PCSJ =Pendant Clear SJ Cord PH/LF1 =Pendant Track Architectural Flex Track PH/LV2 =Pendant Track Linea PHC =Pendant Clear Jacketed Twisted Cord PWSJ =Pendant White SJ Cord	CNS =Cone CYS =Cylinder DMS =Drum SQS =Square	CFL/1/13 ¹ HAL/1/10 ² INC/1/25 ²	120V 12V ³ 277V ^{4,1} 347V ^{4,1}	Premium AH =Aluminum Haze ⁵ CC =Custom Color GNM =Gun Metal MB =Matte Black ⁵ OBRS =Oxidized Brass OCP =Oxidized Copper P =Satin White ⁵ PB =Polished Brass PC =Polished Chrome	PCP =Polished Copper PN =Polished Nickel SAL =Lacquered Satin Aluminum SB =Satin Brass SC =Satin Chrome SCP =Satin Copper SN =Satin Nickel Standard NA =Natural Aluminum	AH =Aluminum Haze MB =Matte Black P =Satin White
Material		Options		OA			
Premium ABB =FSC Amber Bamboo ^{6,7} ABR =Alabaster AMS =Aluminum Shimmer APX =Apex BZS =Bronze Shimmer CCT =Chintz Chocolate CSCC =Customer Supplied Custom Color ^{8,9} CXH =Chintz Onyx GFX =Glasgow Flax GHY =Golden Honey HTG =Heather Grey ⁶ LAT =Linen Alabaster LBS =Linen Biscuit NFX =Natural Flax		NGS =Nutmeg Shimmer NLB =FSC Natural Bamboo ^{6,7,10} PPF =Paper Leaf SBG =Shantung Beige SDE =Sandstone SEG =Shantung Eggshell SIY =Silk Ivory SWH =Shantung White VDB =FSC Variegated Bamboo ^{6,7,10} WCA =White Corona WHK =White Krinkle Standard SIW =Silk White		BLM =Acrylic Bottom Cover REM =Remote Emergency Ballast ¹¹ SCA =Sloped Ceiling Adapter ¹²			CNPY =24" or Specify ¹ H =8"

NOTES: 1. Available with canopy mount only. 2. Not available for H-LV2. 3. Available for H-LV2. 4. Available with CFL only. 5. Standard finish for Halo Track. 6. Many materials appear differently when illuminated. As an example, the wood appears to be more amber when illuminated. It is recommended to view all samples illuminated prior to making final selection. 7. Forest Stewardship Council's (FSC) role is to bring together people, organizations and businesses of the Global South and North to develop consensus-based solutions that promote responsible stewardship of the world's forests. Visit www.fsc.org for more details. 8. Shaper can accommodate Customer Supplied Fabric orders. Please contact your representative for details and minimum quantities. 9. Shaper can accommodate "Customer Supplied Fabric" orders. Please contact your representative for details and minimum quantities. 10. Not available in the CNS (Cone) shade. 11. Supplied by others. 12. Specify up to 45°.

ALTERNATE MATERIALS AND FINISHES



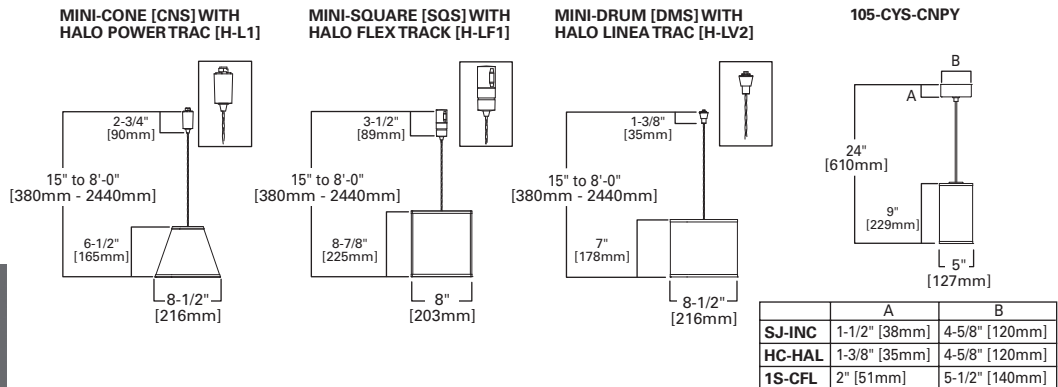
105-CNS-CNPY-SIY



105-CYS-CNPY-GSH



105-SQS-CNPY-BZS



Specifications and dimensions subject to change without notice. Consult your Cooper Lighting Representative or visit www.cooperlighting.com for available options, accessories and ordering information.

FEATURES

- Fabric on translucent white styrene tucked on white welded steel frame
- Integral electronic HPF, multi-volt 120/277V (347V Canada)
- Standard Shantung White material
- Standard Natural Aluminum finish
- Special-order premium materials and finishes
- Bamboo, vinyl and pleated material options available
- Universal integral linear strap for standard 4" J-box or plaster ring
- UL and CUL approved for interior applications

Compliances may not apply to all product configurations. Please consult the product spec sheet for compliance details.

COMPLIANCES: UL/cUL Listed, ARRA Compliant



101-S SERIES

ORDERING INFORMATION

SAMPLE NUMBER: 101-48-S-T5/2/28-120V-GFX-EMP

Series	Size	Mounting Type	Lamp	Voltage	Finish				
101=Rectilinear Pendant	38=38" 48=48"	S=Surface	INC/3/60 ¹ INC/4/60 ² T5/2/21 ¹ T5/2/28 ² T5/2/39HO ¹ T5/2/54HO ²	120V 277V ³ 347V ³	Premium CC=Custom Color GNM=Gun Metal MW=Matte White OBRS=Oxidized Brass OCP=Oxidized Copper	PB=Polished Brass PC=Polished Chrome PCP=Polished Copper PN=Polished Nickel SAL=Lacquered Satin Aluminum SB=Satin Brass	SC=Satin Chrome SCP=Satin Copper SN=Satin Nickel Standard NA=Natural Aluminum		
Material			Options						
Premium ABB=FSC Amber Bamboo ^{4,5} ABR=Alabaster AMS=Aluminum Shimmer APX=Apex BZS=Bronze Shimmer CCT=Chintz Chocolate CCCC=Customer Supplied Custom Color ⁶ CXH=Chintz Onyx GFX=Glasgow Flax GHY=Golden Honey GSH=Grass Cloth HTG=Heather Grey ⁴ LAT=Linen Alabaster LBS=Linen Biscuit			LCK =Linen Chopsticks NFX =Natural Flax NGS =Nutmeg Shimmer NLB =FSC Natural Bamboo ^{4,5} PPF =Paper Leaf SBG =Shantung Beige SEG =Shantung Eggshell SIY =Silk Ivory SWH =Shantung White VDB =FSC Variegated Bamboo ^{4,5} WCA =White Corona WHK =White Krinkle Standard SWH =Shantung White		CBP =Casual "Box" Pleat DMA10 =Dimming Ballast (Advance Mark 10) ^{7,8} DMA7 =Dimming Ballast (Advance Mark 7) ^{7,9} DML =Dimming Ballast (Lutron) EMP = "European Mushroom" Pleat ¹⁰ IEM =Integral Emergency Ballast ³				

NOTES: 1. Available in 38". 2. Available in 48". 3. Available with T5 only. 4. Many materials appear differently when illuminated. As an example, the wood appears to be more amber when illuminated. It is recommended to view all samples illuminated prior to making final selection. 5. Forest Stewardship Councils (FSC) role is to bring together people, organizations and businesses of the Global South and North to develop consensus-based solutions that promote responsible stewardship of the world's forests. Visit www.fsc.org for more details. 6. Shaper can accommodate Customer Supplied Fabric orders. Please contact your representative for details and minimum quantities. 7. Available in T5/2/54HO (101-48-S) lamping only. 8. Mark 10® is a registered trademark of Phillips Advance. 9. Mark 7® is a registered trademark of Phillips Advance. 10. Lutron® is a registered trademark of Lutron Electronics Co., Inc.

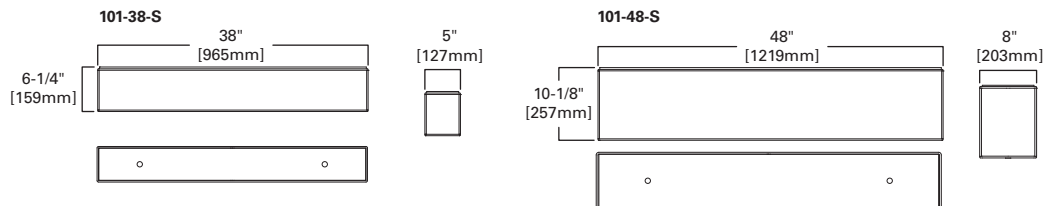
ALTERNATE MATERIALS AND FINISHES



101-S-SWH



101-S-CCT



Specifications and dimensions subject to change without notice. Consult your Cooper Lighting Representative or visit www.cooperlighting.com for available options, accessories and ordering information.



FEATURES

- Fabric on translucent white styrene tucked on white welded steel frame
- Integral electronic HPF, multi-volt 120/277V (347V Canada)
- Standard Shantung White material
- Standard Natural Aluminum finish
- Special-order premium materials and finishes
- Bamboo, vinyl and pleated material options available
- Universal circle strap for standard 4" J-box or plaster ring
- UL and CUL approved for interior locations

Compliances may not apply to all product configurations. Please consult the product spec sheet for compliance details.

COMPLIANCES: UL/cUL Listed, ARRA Compliant

102-S SERIES



ORDERING INFORMATION

SAMPLE NUMBER: 102-24-S-CFL/3/26-120V-SB-SBG

Series	Size	Mounting Type	Lamp	Voltage	Finish
102=Drum Pendant	24=24" 30=30" 36=36" 42=42"	S=Surface	CFL/3/26 ^{1,2} CFL/3/32 ^{1,2} CFL/3/42 ² CFL/4/32 ^{3,4} CFL4/42 ^{3,4} INC/3/60 ^{1,2} INC/4/60 ^{3,4}	120V 277V ⁵ 347V ⁵	Premium CC=Custom Color GNM=Gun Metal MW=Matte White OBRS=Oxidized Brass OCP=Oxidized Copper PB=Polished Brass PC=Polished Chrome PCP=Polished Copper PN=Polished Nickel SAL=Lacquered Satin Aluminum SB=Satin Brass SC=Satin Chrome SCP=Satin Copper SN=Satin Nickel Standard NA=Natural Aluminum
Material			Options		
Premium ABB=FSC Amber Bamboo ^{6,7} ABR=Alabaster AMS=Aluminum Shimmer APX=Apex BZS=Bronze Shimmer CCT=Chintz Chocolate CSCC=Customer Supplied Custom Color ⁸ CXH=Chintz Onyx GFX=Glasgow Flax GHY=Golden Honey GSH=Grass Cloth HTG=Heather Grey ⁶ LAT=Linen Alabaster LBS=Linen Biscuit			LCK=Linen Chopsticks NFX=Natural Flax NGS=Nutmeg Shimmer NLB=FSC Natural Bamboo ^{6,7} PPF=Paper Leaf SBG=Shantung Beige SEG=Shantung Eggshell SIW=Silk White SIY=Silk Ivory VDB=FSC Variegated Bamboo ^{6,7} WCA=White Corona WHK=White Krinkle Standard SWH=Shantung White		
			CBP=Casual "Box" Pleat DMA10=Dimming Ballast (Advance Mark 10) ^{5,9} DMA7=Dimming Ballast (Advance Mark 7) ^{5,10} DML=Dimming Ballast (Lutron) ^{5,11} EMP="European Mushroom" Pleat IEM=Integral Emergency Ballast ⁵		

NOTES: 1. Available in 24". 2. Available in 30". 3. Available in 42". 4. Available in 36". 5. Available with CFL only. 6. Many materials appear differently when illuminated. As an example, the wood appears to be more amber when illuminated. It is recommended to view all samples illuminated prior to making final selection. 7. Forest Stewardship Councils (FSC) role is to bring together people, organizations and businesses of the Global South and North to develop consensus-based solutions that promote responsible stewardship of the world's forests. Visit www.fsc.org for more details. 8. Shaper can accommodate Customer Supplied Fabric orders. Please contact your representative for details and minimum quantities. 9. Mark 10® is a registered trademark of Phillips Advance. 10. Mark 7® is a registered trademark of Phillips Advance. 11. Lutron® is a registered trademark of Lutron Electronics Co., Inc.

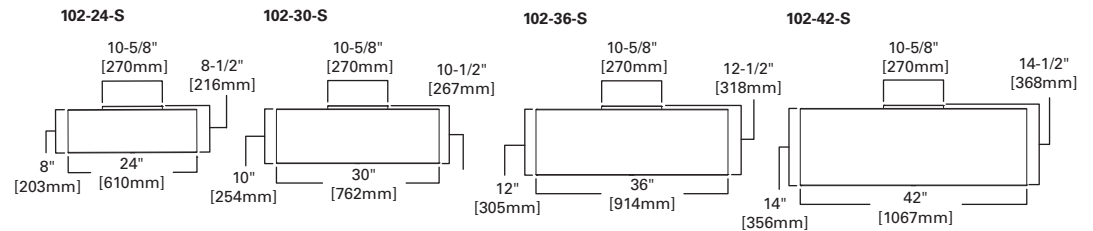
ALTERNATE MATERIALS AND FINISHES



102-S-SEG



102-S-APX



Specifications and dimensions subject to change without notice. Consult your Cooper Lighting Representative or visit www.cooperlighting.com for available options, accessories and ordering information.

FEATURES

- Fabric on translucent white styrene tucked on white welded steel frame
- Integral electronic HPF, multi-volt 120/277V (347V Canada)
- Standard Silk White material
- Standard Natural Aluminum finish
- Special-order premium materials and finishes
- Bamboo, vinyl and pleated material options available
- Universal circle strap for standard 4" J-box or plaster ring
- UL and CUL approved for interior locations

Compliances may not apply to all product configurations. Please consult the product spec sheet for compliance details.
COMPLIANCES: UL/cUL Listed, ARRA Compliant



106-S SERIES



ORDERING INFORMATION

SAMPLE NUMBER: 106-52-S-T5/3/54HO-120V-HTG-EMP-DMA10

Series	Size	Mounting Type	Lamp	Voltage	Finish			
106=Round Cylinder Surface	28=28" 40=40" 52=52"	S=Surface	T5/3/14 ¹ T5/3/21 ² T5/3/24HO ¹ T5/3/28 ³ T5/3/39HO ² T5/3/54HO ³	120V 277V 347V	Premium ALP=Aluminum Paint BM=Bronze Metallic Paint CC=Custom Color GNM=Gun Metal MW=Matte White			
					OBRS=Oxidized Brass OCP=Oxidized Copper SAL=Lacquered Satin Aluminum SB=Satin Brass SC=Satin Chrome			
					SCP=Satin Copper SN=Satin Nickel Standard NA=Natural Aluminum			
Material			Options					
Premium ABB=FSC Amber Bamboo ^{4,5} ABR=Alabaster ^{1,2} AMS=Aluminum Shimmer APX=Apex BZS=Bronze Shimmer CCT=Chintz Chocolate CSCC=Customer Supplied Custom Color ⁶ CXH=Chintz Onyx GFX=Glasgow Flax ^{1,2} GHY=Golden Honey ^{1,2} HTG=Heather Grey ⁴ LAT=Linen Alabaster ^{1,2} LBS=Linen Biscuit ^{1,2} LCK=Linen Chopsticks ^{1,2}			NFX=Natural Flax ^{1,2} NGS=Nutmeg Shimmer NLB=FSC Natural Bamboo ^{4,5} PPF=Paper Leaf ^{1,2} SBG=Shantung Beige SDE=Sandstone SEG=Shantung Eggshell SIY=Silk Ivory SWH=Shantung White ^{1,2} VDB=FSC Variegated Bamboo ^{4,5} WCA=White Corona WHK=White Krinkle ^{1,2} Standard SIW=Silk White			CRDSIS/EDT=Center Round Shade-In-Shade, Earth Dust CRDSIS/SMO=Center Round Shade-In-Shade, Silver Moon CRDSIS/WMT=Center Round Shade-In-Shade, White Mist DMA10=Dimming Ballast (Advance Mark 10) ^{7,8} DMA7=Dimming Ballast (Advance Mark 7) ^{7,9} DML=Dimming Ballast (Lutron) ¹⁰ EMP="European Mushroom" Pleat IEM=Integral Emergency Ballast MMRDL=Metal Motif, Round, Lune ¹¹ MMRDS=Metal Motif, Round, Salinon ¹¹ MMRDT=Metal Motif, Round, Tangent ¹¹		

NOTES: 1. Available in 28". 2. Available in 40". 3. Available in 52". 4. Many materials appear differently when illuminated. As an example, the wood appears to be more amber when illuminated. It is recommended to view all samples illuminated prior to making final selection. 5. Forest Stewardship Councils (FSC) role is to bring together people, organizations and businesses of the Global South and North to develop consensus-based solutions that promote responsible stewardship of the world's forests. Visit www.fsc.org for more details. 6. Shaper can accommodate Customer Supplied Fabric orders. Please contact your representative for details and minimum quantities. 7. Available in T5/3/54HO (106-52-S) lamping only. 8. Mark 10® is a registered trademark of Phillips Advance. 9. Mark 7® is a registered trademark of Phillips Advance. 10. Lutron® is a registered trademark of Lutron Electronics Co., Inc. 11. Patent Pending.

ALTERNATE MATERIALS AND FINISHES



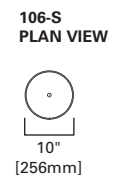
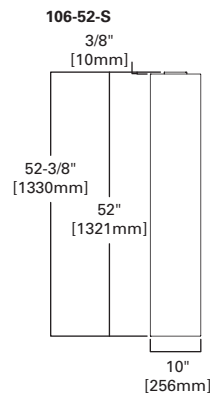
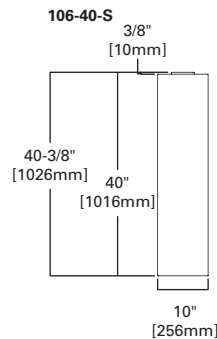
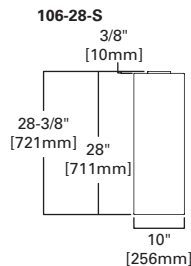
106-S-52-CCT



106-S-52-SM-MMRDL-SIW



106-S-28-SDE





FEATURES

- Fabric on translucent white styrene tucked on white welded steel frame
- Integral electronic HPF, multi-volt 120/277V (347V Canada)
- Standard Silk White material
- Standard Natural Aluminum finish
- Special-order premium materials and finishes
- Bamboo, vinyl and pleated material options available
- Universal circle strap for standard 4" J-box or plaster ring
- UL and CUL approved for interior locations

Compliances may not apply to all product configurations. Please consult the product spec sheet for compliance details.
COMPLIANCES: UL/cUL Listed, ARRA Compliant



107-S SERIES

ORDERING INFORMATION

SAMPLE NUMBER: 107-40-S-T5/3/21-120V-SDE-CBP-DEM

Series	Size	Mounting Type	Lamp	Voltage	Finish			
107=Square Cylinder Surface	28=28" 40=40" 52=52"	S=Surface	T5/3/14 ¹ T5/3/21 ² T5/3/24HO ¹ T5/3/28 ³ T5/3/39HO ² T5/3/54HO ³	120V 277V 347V	Premium ALP=Aluminum Paint BM=Bronze Metallic Paint CC=Custom Color GNM=Gun Metal MW=Matte White OBRS=Oxidized Brass OCP=Oxidized Copper SAL=Lacquered Satin Aluminum SB=Satin Brass SC=Satin Chrome SCP=Satin Copper SN=Satin Nickel Standard NA=Natural Aluminum			
Materials			Options					
Premium ABB=FSC Amber Bamboo ^{4,5} ABR=Alabaster ^{1,2} AMS=Aluminum Shimmer APX=Apex BZS=Bronze Shimmer CCT=Chintz Chocolate CSCC=Customer Supplied Custom Color ⁶ CXH=Chintz Onyx GFX=Glasgow Flax ^{1,2} GHY=Golden Honey ^{1,2} HTG=Heather Grey ⁴ LAT=Linen Alabaster ^{1,2} LBS=Linen Biscuit ^{1,2} LCK=Linen Chopsticks ^{1,2}			NFX=Natural Flax ^{1,2} NGS=Nutmeg Shimmer NLB=FSC Natural Bamboo ^{4,5} PPF=Paper Leaf ^{1,2} SBG=Shantung Beige SEG=Shantung Eggshell SIY=Silk Ivory SWH=Shantung White ^{1,2} VDB=FSC Variegated Bamboo ^{4,5} WCA=White Corona WHK=White Krinkle ^{1,2} Standard SIW=Silk White			CBP="Casual Box" Pleat CSQIS/EDT=Center Square Shade-In-Shade, Earth Dust CSQIS/SMO=Center Square Shade-in-Shade, Silver Moon CSQIS/WMT=Center Square Shade-In-Shade, White Mist DMA10=Dimming Ballast (Advance Mark 10) ⁷ DMA7=Dimming Ballast (Advance Mark 7) ⁷ DML=Dimming Ballast (Lutron) ⁸ EMP="European Mushroom" Pleat IEM=Integral Emergency Ballast MMSQC=Metal Motif, Square, Curvilinear ⁹ MMSQM=Metal Motif, Square, Mondrian ⁹ MMSQR=Metal Motif, Square, Rhombus ⁹ MMSQT=Metal Motif, Square, Tangent ⁹		

NOTES: 1. Available in 28". 2. Available in 40". 3. Available in 52". 4. Many materials appear differently when illuminated. As an example, the wood appears to be more amber when illuminated. It is recommended to view all samples illuminated prior to making final selection. 5. Forest Stewardship Councils (FSC) role is to bring together people, organizations and businesses of the Global South and North to develop consensus-based solutions that promote responsible stewardship of the world's forests. Visit www.fsc.org for more details. 6. Shaper can accommodate Customer Supplied Fabric orders. Please contact your representative for details and minimum quantities. 7. Available in T5/3/54HO (107-52-S) lamping only. 8. Lutron® is a registered trademark of Lutron Electronics Co., Inc. 9. Patent Pending.

ALTERNATE MATERIALS AND FINISHES



107-S-40-SDE



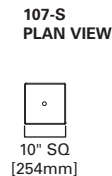
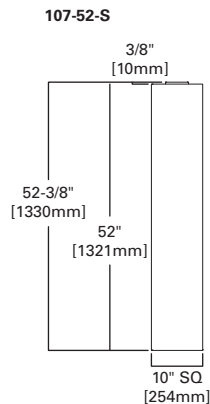
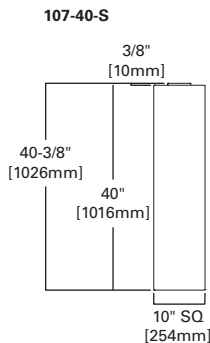
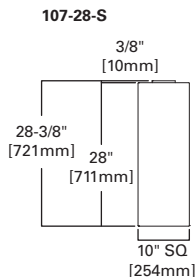
107-S-52-SM-MMSQR-SIW



107-S-28-ABB



107-S-40-SN-MMSQR-SDE



Specifications and dimensions subject to change without notice. Consult your Cooper Lighting Representative or visit www.cooperlighting.com for available options, accessories and ordering information.

FEATURES

- Fabric on white stretch lining on tapered white steel frame
- Integral electronic HPF, multi-volt 120/277V (347V Canada)
- Standard Silk White material
- Standard Natural Aluminum finish
- Special-order premium materials and finishes
- Universal circle strap for standard 4" J-box or plaster ring
- UL and CUL approved for interior locations

Compliances may not apply to all product configurations. Please consult the product spec sheet for compliance details.

COMPLIANCES: UL/cUL Listed, ARRA Compliant



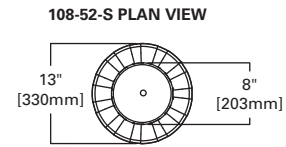
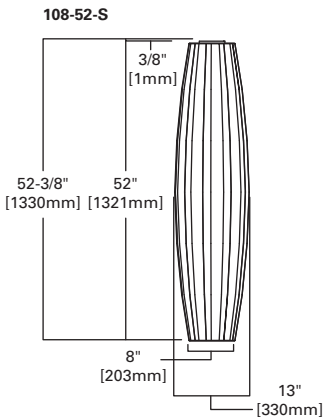
108-S SERIES

ORDERING INFORMATION

SAMPLE NUMBER: 108-52-S-T5/3/28-277V-AMS-EMP

Series	Size	Mounting Type	Lamp	Voltage	Finish
108=Tapered Cylinder Surface	52=52"	S=Surface	T5/3/28 T5/3/54HO	120V 277V 347V	Premium ALP=Aluminum Paint BM=Bronze Metallic Paint CC=Custom Color GNM=Gun Metal MW=Matte White OBRS=Oxidized Brass OCP=Oxidized Copper PB=Polished Brass PC=Polished Chrome PCP=Polished Copper PN=Polished Nickel SAL=Lacquered Satin Aluminum SB=Satin Brass SC=Satin Chrome SCP=Satin Copper SN=Satin Nickel Standard NA=Natural Aluminum
Materials					Options
Premium AMS=Aluminum Shimmer APX=Apex BZS=Bronze Shimmer CCT=Chintz Chocolate CSCC=Customer Supplied Custom Color ¹ CXH=Chintz Onyx HTG=Heather Grey ² NGS=Nutmeg Shimmer SBG=Shantung Beige SEG=Shantung Eggshell SIY=Silk Ivory WCA=White Corona Standard SIW=Silk White					DMA10=Dimming Ballast (Advance Mark 10) ³ DML=Dimming Ballast (Lutron) ³ IEM=Integral Emergency Ballast

NOTES: 1. Shaper can accommodate Customer Supplied Fabric orders. Please contact your representative for details and minimum quantities. 2. Many materials appear differently when illuminated. As an example, the wood appears to be more amber when illuminated. It is recommended to view all samples illuminated prior to making final selection. 3. Available in T5/3/54HO lamping only.





FEATURES

- Fabric on translucent white styrene tucked on white welded steel frame
- Integral electronic HPF, multi-volt 120/277V (347V Canada)
- Standard Silk White material
- Standard Natural Aluminum finish
- Special-order premium materials and finishes
- Bamboo, vinyl and pleated material options available
- Universal circle strap for standard 4" J-box or plaster ring
- UL and CUL approved for interior locations

Compliances may not apply to all product configurations. Please consult the product spec sheet for compliance details.

COMPLIANCES: UL/cUL Listed, ARRA Compliant

109-S SERIES



ORDERING INFORMATION

SAMPLE NUMBER: 109-S-18-CFL/2/26-277V-NA-SWH

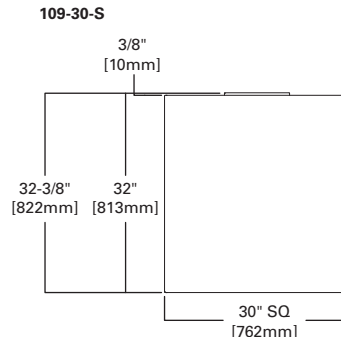
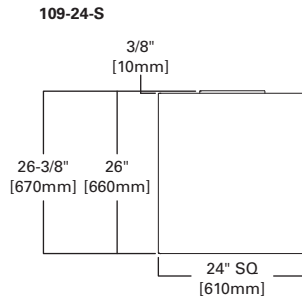
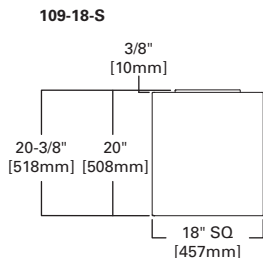
Series	Size	Mounting Type	Lamp	Voltage	Finish		
109=Cube Surface	18=18" 24=24" 30=30"	S=Surface	CFL/2/26 ¹ CFL/3/42 ² INC/2/60 ¹ INC/3/60 ² INC/4/60 ³ T5HO/3/24 ³	120V 277V ⁴ 347V ⁴	Premium ALP=Aluminum Paint BM=Bronze Metallic Paint CC=Custom Color GNM=Gun Metal MW=Matte White OBRS=Oxidized Brass	OCP=Oxidized Copper PB=Polished Brass PC=Polished Chrome PCP=Polished Copper PN=Polished Nickel SAL=Lacquered Satin Aluminum SB=Satin Brass	SC=Satin Chrome SCP=Satin Copper SN=Satin Nickel Standard NA=Natural Aluminum
Material						Options	
Premium ABB=FSC Amber Bamboo ^{5,6} ABR=Alabaster AMS=Aluminum Shimmer APX=Apex BZS=Bronze Shimmer CCT=Chintz Chocolate CSCC=Customer Supplied Custom Color ⁷ CXH=Chintz Onyx GFX=Glasgow Flax		GHY=Golden Honey GSH=Grass Cloth HTG=Heather Grey ⁵ LAT=Linen Alabaster LBS=Linen Biscuit LCK=Linen Chopsticks NFX=Natural Flax NGS=Nutmeg Shimmer NLB=FSC Natural Bamboo ⁵ PPF=Paper Leaf		SBG=Shantung Beige SEG=Shantung Eggshell SIW=Silk White SIY=Silk Ivory VDB=FSC Variegated Bamboo ^{5,6} WCA=White Corona WHK=White Krinkle Standard SWH=Shantung White		CBP="Casual Box" Pleat DMA10=Dimming Ballast (Advance Mark 10) ^{2,4,1} DMA7=Dimming Ballast (Advance Mark 7) ^{2,4,1} DML=Dimming Ballast (Lutron) EMP="European Mushroom" Pleat IEM=Integral Emergency Ballast	

NOTES: 1. Available in 18". 2. Available in 24". 3. Available in 30". 4. Available with CFL only. 5. Many materials appear differently when illuminated. As an example, the wood appears to be more amber when illuminated. It is recommended to view all samples illuminated prior to making final selection. 6. Forest Stewardship Councils (FSC) role is to bring together people, organizations and businesses of the Global South and North to develop consensus-based solutions that promote responsible stewardship of the world's forests. Visit www.fsc.org for more details. 7. Shaper can accommodate Customer Supplied Fabric orders. Please contact your representative for details and minimum quantities.

ALTERNATE MATERIALS AND FINISHES



109-S-24-SEG



109-S-30-VDB



109-S-18-AMS

Specifications and dimensions subject to change without notice. Consult your Cooper Lighting Representative or visit www.cooperlighting.com for available options, accessories and ordering information.

FEATURES

- Solid aluminum or steel wall mount arm; stainless steel aircraft cable
- Integral electronic HPF, multi-volt 120/277V (347V Canada)
- Standard Shantung White material
- Standard Natural Aluminum finish
- Special-order premium materials and finishes
- Bamboo, vinyl and pleated material options available
- Universal circle strap pattern, 3-1/2" and 4" J-boxes and switch boxes
- UL and CUL approved for interior locations

Compliances may not apply to all product configurations. Please consult the product spec sheet for compliance details.

COMPLIANCES: UL/cUL Listed, ARRA Compliant



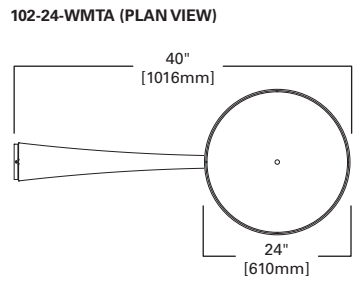
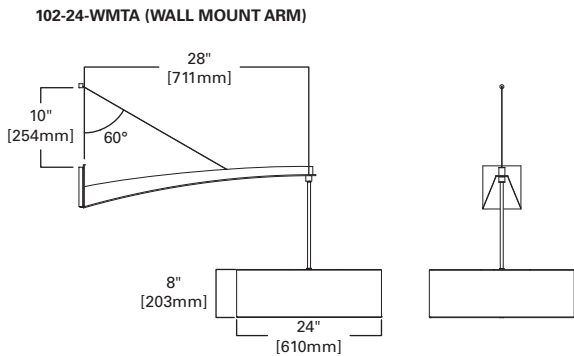
102-WMTA SERIES

ORDERING INFORMATION

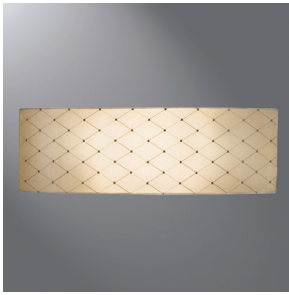
SAMPLE NUMBER: 102-30-WMTA-CFL/3/42-277V-OCP-CNK

Series	Size	Mounting Type	Lamp	Voltage	Finish		
102=Drum Arm Wall Mount	24=24" 30=30" 36=36"	WMTA=Wall Mount Arm	CFL/3/26 ^{1,2} CFL/3/32 ^{1,2} CFL/3/42 ² CFL/4/32 ³ CFL/4/42 ³ INC/3/60 ^{1,2} INC/4/60 ³	120V 277V ⁴ 347V ⁴	Premium CC=Custom Color GNM=Gun Metal MW=Matte White OBRS=Oxidized Brass	OCP=Oxidized Copper PB=Polished Brass PC=Polished Chrome PCP=Polished Copper PN=Polished Nickel SAL=Lacquered Satin Aluminum SB=Satin Brass	SC=Satin Chrome SCP=Satin Copper SN=Satin Nickel Standard NA=Natural Aluminum
Material					Options		
Premium ABB=FSC Amber Bamboo ^{5,6} ABR=Alabaster AMS=Aluminum Shimmer APX=Apex BZX=Bronze Shimmer CCT=Chintz Chocolate CSCC=Customer Supplied Custom Color ⁷ CXH=Chintz Onyx GFX=Glasgow Flax		GHY=Golden Honey GSH=Grass Cloth HTG=Heather Grey ⁵ LAT=Linen Alabaster LBS=Linen Biscuit LCK=Linen Chopsticks NFX=Natural Flax NGS=Nutmeg Shimmer NLB=FSC Natural Bamboo ^{5,6} PPF=Paper Leaf		SBG=Shantung Beige SEG=Shantung Eggshell SIW=Silk White SIY=Silk Ivory VDB=FSC Variegated Bamboo ^{5,6} WCA=White Corona WHK=White Krinkle Standard SWH=Shantung White		CBP=Casual "Box" Pleat DMA10=Dimming Ballast (Advance Mark 10) ⁴ DMA7=Dimming Ballast (Advance Mark 7) ⁴ DML=Dimming Ballast (Lutron) ⁴ EMP="European Mushroom" Pleat IEM=Integral Emergency Ballast TC=Matte White Acrylic Top Cover	

NOTES: 1. Available in 24". 2. Available in 30". 3. Available in 36". 4. Available with CFL only. 5. Many materials appear differently when illuminated. As an example, the wood appears to be more amber when illuminated. It is recommended to view all samples illuminated prior to making final selection. 6. Forest Stewardship Councils (FSC) role is to bring together people, organizations and businesses of the Global South and North to develop consensus-based solutions that promote responsible stewardship of the world's forests. Visit www.fsc.org for more details. 7. Shaper can accommodate Customer Supplied Fabric orders. Please contact your representative for details and minimum quantities.



See the Spec Sheet for other available sizes.



FEATURES

- Fabric on translucent white styrene tucked on white welded steel frame
- Integral electronic HPF, multi-volt 120/277V (347V Canada)
- Standard Shantung White material
- Special-order premium materials
- Bamboo, vinyl and pleated material options available
- Universal integral circle strap to standard 4" J-box or plaster ring
- UL and CUL approved for interior locations. ADA compliant

Compliances may not apply to all product configurations. Please consult the product spec sheet for compliance details.

COMPLIANCES: UL/cUL Listed, ARRA Compliant, ADA Compliant



103-W SERIES

ORDERING INFORMATION

SAMPLE NUMBER: 103-W-CFL/2/39-277V-ABB

Series	Mounting Type	Lamp	Voltage	Material	Options	
103=Rectilinear Wall Sconce	W=Wall Mount	CFL/2/18 CFL/2/39 ¹ INC/2/25	120V 277V ² 347V ²	Premium ABB=FSC Amber Bamboo ^{3,4} ABR=Alabaster AMS=Aluminum Shimmer APX=Apex BZS=Bronze Shimmer CCT=Chintz Chocolate CSCC=Customer Supplied Custom Color ⁵ CXH=Chintz Onyx GFX=Glasgow Flax GHY=Golden Honey GSH=Grass Cloth HTG=Heather Grey ³ LAT=Linen Alabaster LBS=Linen Biscuit	LCK=Linen Chopsticks NFX=Natural Flax NGS=Nutmeg Shimmer NLB=FSC Natural Bamboo ^{3,4} PPF=Paper Leaf SBG=Shantung Beige SEG=Shantung Eggshell SIW=Silk White SIY=Silk Ivory VDB=FSC Variegated Bamboo ^{3,4} WCA=White Corona WHK=White Krinkle Standard SWH=Shantung White	CBP=Casual "Box" Pleat DMA10=Dimming Ballast (Advance Mark 10) ⁶ DMA7=Dimming Ballast (Advance Mark 7) ⁶ DML=Dimming Ballast (Lutron) ⁶ EMP="European Mushroom" Pleat REM=Remote Emergency Battery ⁷ TC=Matte White Acrylic Top Cover

NOTES: 1. Required for dimming. 2. Available with CFL only. 3. Many materials appear differently when illuminated. As an example, the wood appears to be more amber when illuminated. It is recommended to view all samples illuminated prior to making final selection. 4. Forest Stewardship Councils (FSC) role is to bring together people, organizations and businesses of the Global South and North to develop consensus-based solutions that promote responsible stewardship of the world's forests. Visit www.fsc.org for more details. 5. Shaper can accommodate Customer Supplied Fabric orders. Please contact your representative for details and minimum quantities. 6. Available with 39W only. 7. Supplied by others.

ALTERNATE MATERIALS AND FINISHES



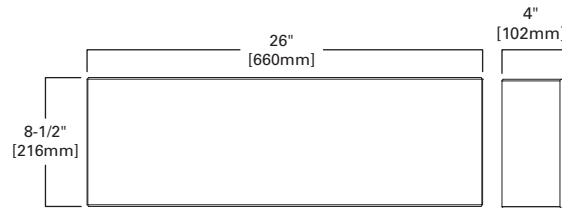
103-CCT



103-CCS



103-GFX



103-W



103-W PLAN VIEW

Specifications and dimensions subject to change without notice. Consult your Cooper Lighting Representative or visit www.cooperlighting.com for available options, accessories and ordering information.

FEATURES

- Fabric on translucent white styrene tucked on white welded steel frame
- Integral electronic HPF, multi-volt 120/277V (347V Canada)
- Standard Shantung White material
- Standard Natural Aluminum finish
- Bamboo, vinyl and pleated material options available
- Universal integral mounting strap to standard 4" J-box or plaster ring
- UL and CUL approved for interior locations. ADA compliant (without trim)

Compliances may not apply to all product configurations. Please consult the product spec sheet for compliance details.

COMPLIANCES: UL/cUL Listed, ARRA Compliant, ADA Compliant



104-W SERIES

ORDERING INFORMATION

SAMPLE NUMBER: 104-W-CFL/2/13-120V-SC-HTG-VXT

Series	Mounting Type	Lamp	Voltage	Finish (Trims Only) ²		
104=Square Wall Sconce	W=Wall Mount	CFL/2/13 CFL/2/18 INC/2/25	120V 277V ¹ 347V ¹	Premium CC=Custom Color GNM=Gun Metal MW=Matte White OBRS=Oxidized Brass OCP=Oxidized Copper	PB=Polished Brass PC=Polished Chrome PCP=Polished Copper PN=Polished Nickel SAL=Lacquered Satin Aluminum SB=Satin Brass	SC=Satinm Chrome SCP=Satin Copper SN=Satin Nickel Standard NA=Natural Aluminum
Material				Options		
Premium ABB=FSC Amber Bamboo ^{3,4} ABR=Alabaster AMS=Aluminum Shimmer APX=Apex BZS=Bronze Shimmer CCT=Chintz Chocolate CSCC=Customer Supplied Custom Color ⁵ CXH=Chintz Onyx GFX=Glasgow Flax		GHY=Golden Honey GSH=Grass Cloth HTG=Heather Grey ³ LAT=Linen Alabaster LBS=Linen Biscuit LCK=Linen Chopsticks NFX=Natural Flax NGS=Nutmeg Shimmer NLB=FSC Natural Bamboo ^{3,4}		PPF=Paper Leaf SBG=Shantung Beige SEG=Shantung Eggshell SIW=Silk White SIY=Silk Ivory VDB=FSC Variegated Bamboo ^{3,4} WCA=White Corona WHK=White Krinkle Standard SWH=Shantung White		CBP=Casual "Box" Pleat DMA10=Dimming Ballast (Advance Mark 10) ⁶ DMA7=Dimming Ballast (Advance Mark 7) ⁶ DML=Dimming Ballast (Advance) ⁶ EMP="European Mushroom" Pleat REM=Remote Emergency Battery ⁷ RNT=Radiant Trim SRT=Spire Trim TC=Matte White Acrylic Top Cover VXT=Vertex Trim

NOTES: 1. Available with CFL only. 2. Available for Decorative Trims only. 3. Many materials appear differently when illuminated. As an example, the wood appears to be more amber when illuminated. It is recommended to view all samples illuminated prior to making final selection. 4. Forest Stewardship Councils (FSC) role is to bring together people, organizations and businesses of the Global South and North to develop consensus-based solutions that promote responsible stewardship of the world's forests. Visit www.fsc.org for more details. 5. Shaper can accommodate Customer Supplied Fabric orders. Please contact your representative for details and minimum quantities. 6. Available with 18W only. 7. Supplied by others.

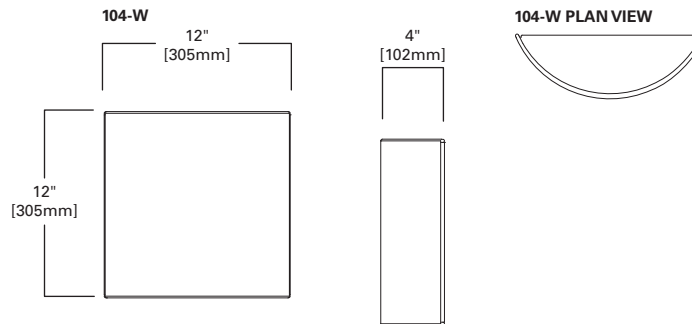
ALTERNATE MATERIALS AND FINISHES



104-SEG-SRT



104-LBW





FEATURES

- Solid aluminum or steel wall mount arm; stainless steel aircraft cable
- Integral electronic HPF, multi-volt 120/277V (347V Canada)
- Standard Silk White material
- Standard Natural Aluminum finish
- Special-order premium materials and finishes
- Bamboo, vinyl and pleated material options available
- Universal circle strap pattern for 3-1/2" and 4" J-box and switch boxes
- UL and CUL approved for interior locations

Compliances may not apply to all product configurations. Please consult the product spec sheet for compliance details.

COMPLIANCES: UL/cUL Listed, ARRA Compliant

106-WMTA SERIES



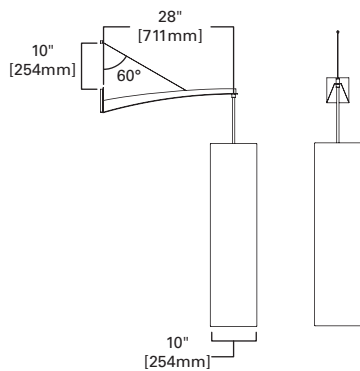
ORDERING INFORMATION

SAMPLE NUMBER: 106-40-WMTA-T5/3/21-120V-SB-GFX-RSQSIS-EDT-DML

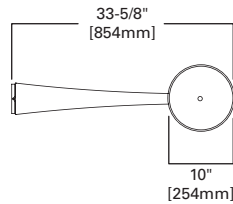
Series	Size	Mounting Types	Lamp	Voltage	Finish				
106=Round Cylinder Arm Wall Mount	28=28" 40=40" 52=52"	WMTA	T5/3/14 ¹ T5/3/21 ² T5/3/24HO ¹ T5/3/28 ³ T5/3/39HO ² T5/3/54HO ³	120V 277V 347V	Premium ALP=Aluminum Paint BM=Bronze Metallic Paint CC=Custom Color GNM=Gun Metal MW=Matte White OBRS=Oxidized Brass	OCP=Oxidized Copper PB=Polished Brass ⁴ PC=Polished Chrome ⁴ PCP=Polished Copper ⁴ PN=Polished Nickel ⁴ SAL=Lacquered Satin Aluminum	SB=Satin Brass SC=Satin Chrome SCP=Satin Copper Standard NA=Natural Aluminum		
Material			Options						
Premium ABB=FSC Amber Bamboo ^{5,6} ABR=Alabaster ^{1,2} AMS=Aluminum Shimmer APX=Apex BZS=Bronze Shimmer CCT=Chintz Chocolate CSCC=Customer Supplied Custom Color ⁷ CXH=Chintz Onyx GFX=Glasgow Flax ^{1,2} GHY=Golden Honey ^{1,2} HTG=Heather Grey ⁵ LAT=Linen Alabaster ^{1,2} LBS=Linen Biscuit ^{1,2} LCK=Linen Chopsticks ^{1,2}			NFX=Natural Flax ^{1,2} NGS=Nutmeg Shimmer NLB=FSC Natural Bamboo ^{5,6} PPF=Paper Leaf ^{1,2} SBG=Shantung Beige SEG=Shantung Eggshell SIY=Silk Ivory SWH=Shantung White ^{1,2} VDB=FSC Variegated Bamboo ^{5,6} WCA=White Corona WHK=White Krinkle ^{1,2} Standard SIW=Silk White			CRDSIS/EDT=Center Round Shade-In-Shade, Earth Dust CRDSIS/SMO=Center Round Shade-In-Shade, Silver Moon CRDSIS/WMT=Center Round Shade-In-Shade, White Mist DMA10=Dimming Ballast (Advance Mark 10) ⁸ DMA7=Dimming Ballast (Advance Mark 7) ⁸ DML=Dimming Ballast (Lutron) EMP="European Mushroom" Pleat IEM=Integral Emergency Ballast MMRDL=Metal Motif, Round, Lune ⁹ MMRDS=Metal Motif, Round, Salinon ⁹ MMRDT=Metal Motif, Round, Tangent ⁹		MPRD/EDTR=Metal Panel Round, Earth Dust Resin ⁹ MPRD/SMOR=Metal Panel Round, Silver Moon Resin ⁹ MPRD/WMT=Metal Panel Round, White Mist Resin ⁹ RSQSIS/EDT=Round Square Shade-In-Shade, Earth Dust RSQSIS/SMO=Round Square Shade-In-Shade, Silver Moon RSQSIS/WMT=Round Square Shade-In-Shade, White Mist TC=Matte White Acrylic Top Cover TRDSIS/EDT=Top Round Shade-In-Shade, Earth Dust TRDSIS/SMO=Top Round Shade-In-Shade, Silver Moon TRDSIS/WMT=Top Round Shade-In-Shade, White Mist	

NOTES: 1. Available in 28". 2. Available in 40". 3. Available in 52". 4. Not available with Metal Motif options. 5. Many materials appear differently when illuminated. As an example, the wood appears to be more amber when illuminated. It is recommended to view all samples illuminated prior to making final selection. 6. Forest Stewardship Councils (FSC) role is to bring together people, organizations and businesses of the Global South and North to develop consensus-based solutions that promote responsible stewardship of the world's forests. Visit www.fsc.org for more details. 7. Shaper can accommodate Customer Supplied Fabric orders. Please contact your representative for details and minimum quantities. 8. Available in T5/3/54HO (107-52-WMTA) lamping only. 9. Patent Pending.

106-WMTA (WALL MOUNT ARM)



106-WMTA (PLAN VIEW)



Specifications and dimensions subject to change without notice. Consult your Cooper Lighting Representative or visit www.cooperlighting.com for available options, accessories and ordering information.

FEATURES

- Solid aluminum or steel wall mount arm; stainless steel aircraft cable
- Integral electronic HPF, multi-volt 120/277V (347V Canada)
- Standard Silk White material
- Standard Natural Aluminum finish
- Special-order premium materials and finishes
- Bamboo, vinyl and pleated material options available
- Universal circle strap pattern, 3-1/2" and 4" J-boxes and switch boxes
- UL and CUL approved for interior locations

Compliances may not apply to all product configurations. Please consult the product spec sheet for compliance details.

COMPLIANCES: UL/cUL Listed, ARRA Compliant



107-WMTA SERIES

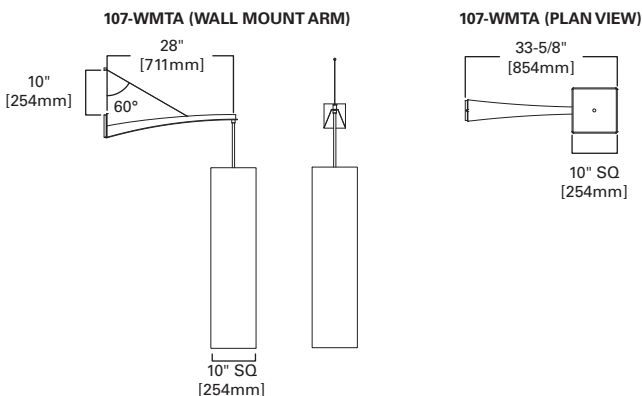


ORDERING INFORMATION

SAMPLE NUMBER: 107-28-WMTA-T5/3/14-120V-SAL-SIW-CSQSSIS-WMT

Series	Size	Mounting Types	Lamp	Voltage	Finish		
107=Square Cylinder Arm Wall Mount	28=28" 40=40" 52=52"	WMTA	T5/3/14 ¹ T5/3/21 ² T5/3/24HO ¹ T5/3/28 ³ T5/3/39HO ² T5/3/54HO ³	120V 277V 347V	Premium ALP=Aluminum Paint BM=Bronze Metallic Paint CC=Custom Color GNM=Gun Metal MW=Matte White	OBRS=Oxidized Brass OCP=Oxidized Copper PB=Polished Brass ⁴ PC=Polished Chrome ⁴ PCP=Polished Copper ⁴ PN=Polished Nickel ⁴	SAL=Lacquered Satin Aluminum SB=Satin Brass SC=Satin Chrome SCP=Satin Copper SN=Satin Nickel Standard NA=Natural Aluminum
Material				Options			
Premium ABB=FSC Amber Bamboo ^{5,6} ABR=Alabaster ^{1,2} AMS=Aluminum Shimmer APX=Apex BZS=Bronze Shimmer CCT=Chintz Chocolate CCCC=Customer Supplied Custom Color ⁷ CXH=Chintz Onyx GFX=Glasgow Flax ^{1,2} GHY=Golden Honey ^{1,2} HTG=Heather Grey ⁵ LAT=Linen Alabaster ^{1,2} LBS=Linen Biscuit ^{1,2}		LCK=Linen Chopsticks ^{1,2} NFX=Natural Flax ^{1,2} NGS=Nutmeg Shimmer NLB=FSC Natural Bamboo ^{5,6} PPF=Paper Leaf ^{1,2} SBG=Shantung Beige SEG=Shantung Eggshell SIY=Silk Ivory SWH=Shantung White ^{1,2} VDB=FSC Variegated Bamboo ^{5,6} WCA=White Corona WHK=White Krinkle ^{1,2} Standard SIW=Silk White		CBP=Casual "Box" Pleat CSQSSIS/EDT=Center Square Shade-In-Shade, Earth Dust CSQSSIS/SMO=Center Square Shade-In-Shade, Silver Moon CSQSSIS/WMT=Center Square Shade-In-Shade, White Mist DMA10=Dimming Ballast (Advance Mark 10) ⁸ DMA7=Dimming Ballast (Advance Mark 7) ⁸ DML=Dimming Ballast (Lutron) EMP="European Mushroom" Pleat IEM=Integral Emergency Ballast MMSQC=Metal Motif, Square, Curvilinear ⁹ MMSQM=Metal Motif, Square, Mondrian ⁹		MMSQR=Metal Motif, Square, Rhombus ⁹ MMSQT=Metal Motif, Square, Tangent ⁹ MPSQ/EDTR=Metal Panel Square, Earth Dust Resin ⁹ MPSQ/SMOR=Metal Panel Square, Silver Moon Resin ⁹ MPSQ/WMTR=Metal Panel Square, White Mist Resin ⁹ TC=Matte White Acrylic Top Cover TSQSSIS/EDT=Top Square Shade-In-Shade, Earth Dust TSQSSIS/SMO=Top Square Shade-In-Shade, Earth Dust TSQSSIS/WMT=Top Square Shade-In-Shade, White Mist	

NOTES: 1. Available in 28". 2. Available in 40". 3. Available in 52". 4. Not available with Metal Motif options. 5. Many materials appear differently when illuminated. As an example, the wood appears to be more amber when illuminated. It is recommended to view all samples illuminated prior to making final selection. 6. Forest Stewardship Councils (FSC) role is to bring together people, organizations and businesses of the Global South and North to develop consensus-based solutions that promote responsible stewardship of the world's forests. Visit www.fsc.org for more details. 7. Shaper can accommodate Customer Supplied Fabric orders. Please contact your representative for details and minimum quantities. 8. Available in T5/3/54HO (107-52-WMTA) lamping only. 9. Patent Pending.



Specifications and dimensions subject to change without notice. Consult your Cooper Lighting Representative or visit www.cooperlighting.com for available options, accessories and ordering information.



FEATURES

- Solid aluminum or steel wall mount arm; stainless steel aircraft cable
- Integral electronic HPF, multi-volt 120/277V (347V Canada)
- Standard Silk White material
- Standard Natural Aluminum finish
- Special-order premium materials and finishes
- Universal circle strap pattern, 3-1/2" and 4" J-boxes and switch boxes
- UL and CUL approved for interior locations

Compliances may not apply to all product configurations. Please consult the product spec sheet for compliance details.

COMPLIANCES: UL/cUL Listed, ARRA Compliant



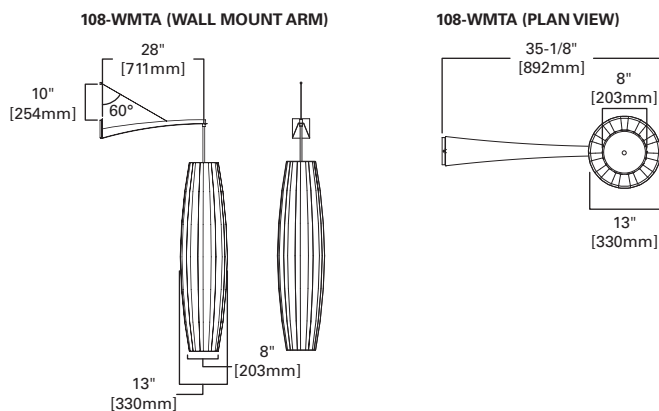
108-WMTA SERIES

ORDERING INFORMATION

SAMPLE NUMBER: 108-52-WMTA-T5/3/28-120V-OBRS-SBG-TC

Series	Size	Mounting Type	Lamp	Voltage	Finish
108=Tapered Cylinder Arm Wall Mount	52=52"	WMTA=Wall Mount Arm	T5/3/28 T5/3/54HO	120V 277V 347V	Premium ALP=Aluminum Paint BM=Bronze Metallic Paint CC=Custom Color GNM=Gun Metal MW=Matte White OBRS=Oxidized Brass OCP=Oxidized Copper PB=Polished Brass PC=Polished Chrome PCP=Polished Copper PN=Polished Nickel SAL=Lacquered Satin Aluminum SB=Satin Brass SC=Satin Chrome SCP=Satin Copper SN=Satin Nickel Standard NA=Natural Aluminum
Material					Options
Premium AMS=Aluminum Shimmer APX=Apex BZS=Bronze Shimmer CCT=Chintz Chocolate CSCC=Customer Supplied Custom Color ¹ CXH=Chintz Onyx HTG=Heather Grey ²		NGS=Nutmeg Shimmer SBG=Shantung Beige SEG=Shantung Eggshell SIY=Silk Ivory WCA=White Corona Standard SIW=Silk White		DMA10=Dimming Ballast (Advance Mark 10) ³ DMA7=Dimming Ballast (Advance Mark 7) ³ DML=Dimming Ballast (Lutron) IEM=Integral Emergency Ballast TC=Matte White Acrylic Top Cover	

NOTES: 1. Shaper can accommodate Customer Supplied Fabric orders. Please contact your representative for details and minimum quantities. 2. Many materials appear differently when illuminated. As an example, the wood appears to be more amber when illuminated. It is recommended to view all samples illuminated prior to making final selection. 3. Available in T5/3/54HO lamping only.



Specifications and dimensions subject to change without notice. Consult your Cooper Lighting Representative or visit www.cooperlighting.com for available options, accessories and ordering information.

FEATURES

- Fabric on translucent white styrene tucked on white welded steel frame
- Solid aluminum wall mount arm with stainless steel aircraft cable
- Standard Shantung White material
- Standard Natural Aluminum finish
- Special-order premium materials and finishes
- Bamboo, vinyl and pleated material options available
- Universal circle strap pattern for 3-1/2" and 4" J-boxes or switch boxes
- UL and CUL approved for interior locations

Compliances may not apply to all product configurations. Please consult the product spec sheet for compliance details.
COMPLIANCES: UL/cUL Listed, ARRA Compliant



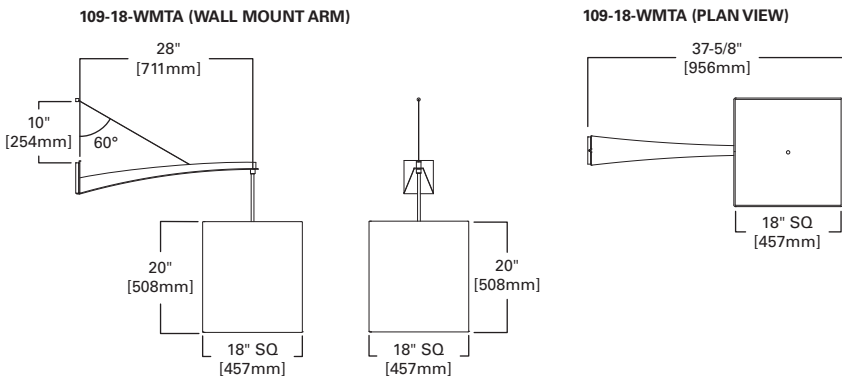
109-WMTA SERIES

ORDERING INFORMATION

SAMPLE NUMBER: 109-24-WMTA-CFL/3/42-120V-SN-SDE-CBP-DML-42

Series	Size	Mounting Type	Lamp	Voltage	Finish		
109=Cube Arm Wall Mount	18=18" 24=24"	WMTA=Wall Mount Arm	CFL/2/26 ¹ CFL/3/42 ² INC/2/60 ¹ INC/3/60 ²	120V 277V ³ 347V ³	Premium ALP=Aluminum Paint BM=Bronze Metallic Paint CC=Custom Color GNM=Gun Metal MW=Matte White	OBRS=Oxidized Brass OCP=Oxidized Copper PB=Polished Brass PC=Polished Chrome PCP=Polished Copper PN=Polished Nickel SAL=Lacquered Satin Aluminum	SB=Satin Brass SC=Satin Chrome SCP=Satin Copper SN=Satin Nickel Standard NA=Natural Aluminum
Material						Options	
Premium ABB=FSC Amber Bamboo ^{4,5} ABR=Alabaster AMS=Aluminum Shimmer APX=Apex BZX=Bronze Shimmer CCT=Chintz Chocolate CSCC=Customer Supplied Custom Color ⁶ CXH=Chintz Onyx GFX=Glasgow Flax		GHY=Golden Honey GSH=Grass Cloth HTG=Heather Grey ⁴ LAT=Linen Alabaster LBS=Linen Biscuit LCK=Linen Chopsticks NFX=Natural Flax NGS=Nutmeg Shimmer NLB=FSC Natural Bamboo ^{4,5} PPF=Paper Leaf		SBG=Shantung Beige SEG=Shantung Eggshell SIW=Silk White SIY=Silk Ivory VDB=FSC Variegated Bamboo ^{4,5} WCA=White Corona WHK=White Krinkle Standard SWH=Shantung White		CBP="Casual Box" Pleat DMA10=Dimming Ballast (Advance Mark 10) ³ DMA7=Dimming Ballast (Advance Mark 7) ³ DML=Dimming Ballast (Lutron) ³ EMP="European Mushroom" Pleat IEM=Integral Emergency Ballast TC=Matte White Acrylic Top Cover	

NOTES: 1. Available in 18". 2. Available in 24". 3. Available with CFL only. 4. Many materials appear differently when illuminated. As an example, the wood appears to be more amber when illuminated. It is recommended to view all samples illuminated prior to making final selection. 5. Forest Stewardship Councils (FSC) role is to bring together people, organizations and businesses of the Global South and North to develop consensus-based solutions that promote responsible stewardship of the world's forests. Visit www.fsc.org for more details. 6. Shaper can accommodate Customer Supplied Fabric orders. Please contact your representative for details and minimum quantities.



Specifications and dimensions subject to change without notice. Consult your Cooper Lighting Representative or visit www.cooperlighting.com for available options, accessories and ordering information.



110-W SERIES

FEATURES

- Fabric on translucent white styrene tucked on white welded steel frame
- Integral electronic HPF, multi-volt 120/277V (347V Canada)
- Standard Silk White material
- Standard Natural Aluminum finish
- Special-order premium materials and finishes
- Bamboo, vinyl and pleated material options available
- Universal integral mounting strap to standard 4" J-Box or plaster ring
- UL and CUL approved for interior locations. ADA compliant

COMPLIANCES: UL/cUL Listed, ARRA Compliant, ADA Compliant



ORDERING INFORMATION

SAMPLE NUMBER: 110-25-W-T5/2/14-120V-SAL-LAT-MMRDS

Series	Size	Mounting Type	Lamp	Voltage	Finish		
110=Round Cylinder Wall	25=25" 37=37" 42=42"	W=Wall Mount	T5/2/14 ¹ T5/2/21 ² T5/2/24HO ¹ T5/2/28 ³ T5/2/39HO ² T5/2/54HO ³	120V 277V 347V	Premium ALP=Aluminum Paint BM=Bronze Metallic Paint CC=Custom Color GNM=Gun Metal MW=Matte White	OBRS=Oxidized Brass OCP=Oxidized Copper SAL=Lacquered Satin Aluminum SB=Satin Brass SC=Satin Chrome	SCP=Satin Copper SN=Satin Nickel Standard NA=Natural Aluminum
Material						Options	
Premium ABB=FSC Amber Bamboo ^{4,5} ABR=Alabaster ^{1,2} AMS=Aluminum Shimmer APX=Apex BZS=Bronze Shimmer CCT=Chintz Chocolate CSCC=Customer Supplied Custom Color ⁶ CXH=Chintz Onyx		GFX=Glasgow Flax ^{1,2} GHY=Golden Honey ^{1,2} GSH=Grass Cloth ^{1,2} HTG=Heather Grey ⁴ LAT=Linen Alabaster ^{1,2} LBS=Linen Biscuit ^{1,2} LCK=Linen Chopsticks ^{1,2} NFX=Natural Flax ^{1,2} NGS=Nutmeg Shimmer NLB=FSC Natural Bamboo ^{4,5}		PPF=Paper Leaf ^{1,2} SBG=Shantung Beige SEG=Shantung Eggshell SIY=Silk Ivory SWH=Shantung White ^{1,2} VDB=FSC Variegated Bamboo ^{4,5} WCA=White Corona WHK=White Krinkle ^{1,2} Standard SIW=Silk White		DMA10=Dimming Ballast (Advance Mark 10) ⁷ DMA7=Dimming Ballast (Advance Mark 7) ⁷ DML=Dimming Ballast (Lutron) EMP="European Mushroom" Pleat IEM=Integral Emergency Ballast MMRDL=Metal Motif, Round, Lune ⁸ MMRDS=Metal Motif, Round, Salinon ⁸ MMRDT=Metal Motif, Round, Tangent ⁸ TC=Matte White Acrylic Top Cover WRDSIS/EDT=Wall Round Shade-in-Shade, Earth Dust WRDSIS/SMO=Wall Round Shade-in-Shade, Silver Moon WRDSIS/WMT=Wall Round Shade-in-Shade, White Mist	

NOTES: 1. Available in 25". 2. Available in 37". 3. Available in 49". 4. Many materials appear differently when illuminated. As an example, the wood appears to be more amber when illuminated. It is recommended to view all samples illuminated prior to making final selection. 5. Forest Stewardship Councils (FSC) role is to bring together people, organizations and businesses of the Global South and North to develop consensus-based solutions that promote responsible stewardship of the world's forests. Visit www.fsc.org for more details. 6. Shaper can accommodate Customer Supplied Fabric orders. Please contact your representative for details and minimum quantities. 7. Available in T5/2/54HO (110-49-W) lamping only. 8. Patent Pending.

ALTERNATE MATERIALS AND FINISHES



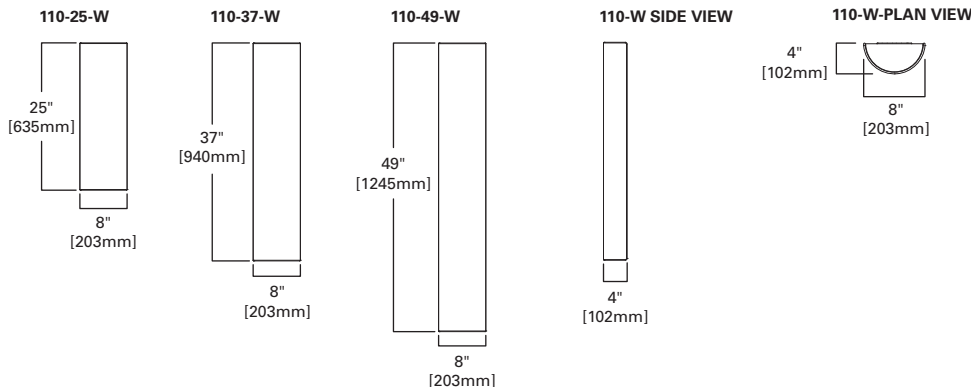
110-49-W-NLB



110-37-W-WCA



110-W-SC-SEG-MMRDS



Specifications and dimensions subject to change without notice. Consult your Cooper Lighting Representative or visit www.cooperlighting.com for available options, accessories and ordering information.

FEATURES

- Fabric on translucent white styrene tucked on white welded steel frame
- Integral electronic HPF, multi-volt 120/277V (347V Canada)
- Standard Silk White material
- Standard Natural Aluminum finish
- Special-order premium materials and finishes
- Bamboo, vinyl and pleated material options available
- Universal integral mounting strap to standard 4" J-box or plaster ring
- UL and CUL approved for interior locations.

Compliances may not apply to all product configurations. Please consult the product spec sheet for compliance details.

COMPLIANCES: UL/cUL Listed, ARRA Compliant, ADA Compliant



111-W SERIES

ORDERING INFORMATION

SAMPLE NUMBER: 111-W-37-T5/2/21-120V-OCP-LBS-MMMSQR-TC

Series	Size	Mounting Type	Lamp	Voltage	Finish		
111=Square Cylinder Wall	25=25" 37=37" 49=49"	W=Wall Mount	T5/2/14 ¹ T5/2/21 ² T5/2/24HO ¹ T5/2/28 ³ T5/2/39HO ² T5/2/54HO ³	120V 277V 347V	Premium ALP=Aluminum Paint BM=Bronze Metallic Paint CC=Custom Color GNM=Gun Metal	MW=Matte White OBR=Oxidized Brass OCP=Oxidized Copper SAL=Lacquered Satin Aluminum SB=Satin Brass	SC=Satin Chrome SCP=Satin Copper SN=Satin Nickel Standard NA=Natural Aluminum
Materials					Options		
Premium ABB=FSC Amber Bamboo ^{4,5} ABR=Alabaster ^{1,2} AMS=Aluminum Shimmer APX=Apex BZS=Bronze Shimmer CCT=Chintz Chocolate CSCC=Customer Supplied Custom Color ⁶ CXH=Chintz Onyx GFX=Glasgow Flax ^{1,2}		GHY=Golden Honey ^{1,2} GSH=Grass Cloth ^{1,2} HTG=Heather Grey ⁴ LAT=Linen Alabaster ^{1,2} LBS=Linen Biscuit ^{1,2} LCK=Linen Chopsticks ^{1,2} NFX=Natural Flax ^{1,2} NGS=Nutmeg Shimmer NLB=FSC Natural Bamboo ^{4,5} PPF=Paper Leaf ^{1,2}		SBG=Shantung Beige SEG=Shantung Eggshell SIY=Silk Ivory SWH=Shantung White ^{1,2} VDB=FSC Variegated Bamboo ^{4,5} WCA=White Corona WHK=White Krinkle ^{1,2} Standard SIW=Silk White		DMA10=Dimming Ballast (Advance Mark 10) ⁷ DMA7=Dimming Ballast (Advance Mark 7) ⁷ DML=Dimming Ballast (Lutron) EMP="European Mushroom" Pleat IEM=Integral Emergency Ballast MMSQC=Metal Motif, Square, Curvilinear ⁸ MMSQM=Metal Motif, Square, Mondrian ⁸ MMSQR=Metal Motif, Square, Rhombus ⁸ MMSQT=Metal Motif, Square, Tangent ⁸ TC=Matte White Acrylic Top Cover WSQIS/EDT=Wall Square Shade-in-Shade, Earth Dust WSQIS/SMO=Wall Square Shade-in-Shade, Silver Moon WSQIS/WMT=Wall Square Shade-in-Shade, White Mist	

NOTES: 1. Available in 25". 2. Available in 37". 3. Available in 49". 4. Many materials appear differently when illuminated. As an example, the wood appears to be more amber when illuminated. It is recommended to view all samples illuminated prior to making final selection. 5. Forest Stewardship Councils (FSC) role is to bring together people, organizations and businesses of the Global South and North to develop consensus-based solutions that promote responsible stewardship of the world's forests. Visit www.fsc.org for more details. 6. Shaper can accommodate Customer Supplied Fabric orders. Please contact your representative for details and minimum quantities. 7. Available in T5/2/54HO (111-49-W) lamping only. 8. Patent Pending.

ALTERNATE MATERIALS AND FINISHES



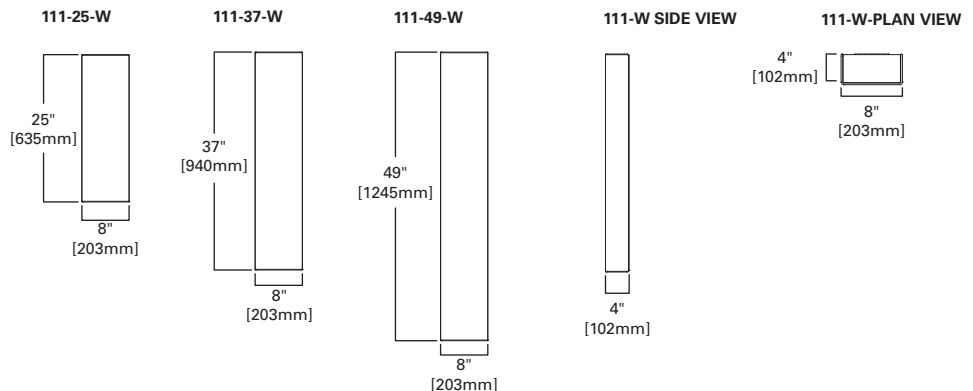
111-37-W-AMS-WSQIS/SMO



111-25-BZS



111-25-W-VDB



Specifications and dimensions subject to change without notice. Consult your Cooper Lighting Representative or visit www.cooperlighting.com for available options, accessories and ordering information.



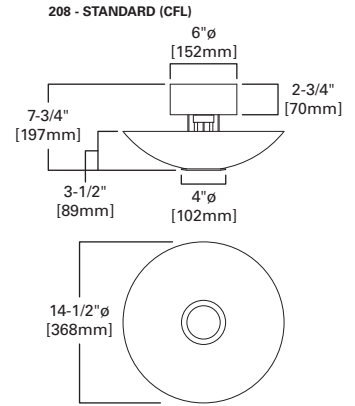
208 SERIES

FEATURES

- Solid aluminum with a matte white acrylic bowl
- Integral electronic HPF, multi-volt 120/277V (347V Canada)
- Standard Natural Aluminum finish
- Special-order premium finishes
- Universal circular strap for a standard 4" J-box or plaster ring
- Optional matte acrylic cone
- Available for MRI applications (INC only) - contact factory
- UL and CUL approved for interior and damp locations

Compliances may not apply to all product configurations. Please consult the product spec sheet for compliance details.

COMPLIANCES: UL/cUL Listed - Damp Location, ARRA Compliant



ORDERING INFORMATION

SAMPLE NUMBER: 208-S-INC/1/100-120V-SCP

Series	Mounting Type	Lamp	Voltage	Finish	Options	
208=Bowl Surface Luminaire	S=Surface	CFL/1 (26/32W-Triple) INC/1/100	120V 277V ¹ 347V ¹	Premium ALP=Aluminum Paint CC=Custom Color MW=Matte White OBRS=Oxidized Brass OCP=Oxidized Copper PB=Polished Brass PC=Polished Chrome PCP=Polished Copper PN=Polished Nickel	SAL=Lacquered Satin Aluminum SB=Satin Brass SC=Satin Chrome SCP=Satin Copper SN=Satin Nickel Standard NA=Natural Aluminum	CONE=Cone Diffuser DL=Damp Location ² DMA10=Dimming Ballast (Advance Mark 10) ¹ DMA7=Dimming Ballast (Advance Mark 7) ¹ DML=Dimming Ballast (Lutron) ¹ FB=Hand-Painted Faux Alabaster Bowl LNB=Hand-Painted Faux Linen Bowl REM=Remote Emergency Battery ³

NOTES: 1. Available with CFL only. 2. Interior applications only. 3. Supplied by others.



210 SERIES

FEATURES

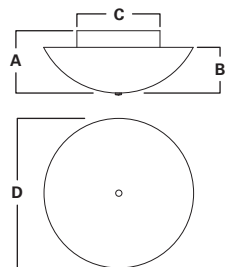
- Cold-rolled steel mounting pan with matte white acrylic bowl
- Integral electronic HPF, multi-volt 120/277V (347V Canada-except 13W)
- Standard Matte White finish
- Special-order premium finishes
- Universal circular strap for a standard 4" J-box or plaster ring
- Available with a variety of trim and finial options
- UL and CUL approved for interior and damp locations

Compliances may not apply to all product configurations. Please consult the product spec sheet for compliance details.

COMPLIANCES: UL/cUL Listed - Damp Location, ARRA Compliant



210 - STANDARD



Standard Sizes	A	B	C	D
14"ø [356mm]	6-1/2" [165mm]	4-1/2" [114mm]	8"ø [203mm]	14-1/2"ø [368mm]
18"ø [457mm]	7-1/2" [190mm]	5-1/2" [132mm]	10"ø [254mm]	18"ø [457mm]

ORDERING INFORMATION

SAMPLE NUMBER: 210-S-18-INC/2/75-120V-PCP

Series	Size	Mounting Type	Lamp	Voltage	Finish	Options	
210=Bowl Surface Luminaire	14=14" 18=18"	S=Surface	CFL/2 (26/32W-Triple) ¹ CFL/2/13 ² INC/2/60 ² INC/2/75 ¹	120V 277V ³ 347V ³	Premium ALP=Aluminum Paint CC=Custom Color GNM=Gun Metal NA=Natural Aluminum OBRS=Oxidized Brass OCP=Oxidized Copper PB=Polished Brass PC=Polished Chrome PCP=Polished Copper	PN=Polished Nickel SAL=Lacquered Satin Aluminum SB=Satin Brass SC=Satin Chrome SCP=Satin Copper SN=Satin Nickel Standard MW=Matte White	CT=Caming Trim DF2B=Decorative Finial with Double Bar Trim DL=Damp Location ⁴ DMA10=Dimming Ballast (Advance Mark 10) ¹ DMA7=Dimming Ballast (Advance Mark 7) ¹ DML=Dimming Ballast (Lutron) ¹ FB=Hand Painted Faux Alabaster Bowl LNB=Hand Painted Faux Linen Bowl MEM=Modified Integral Emergency Ballast SFCT=3" Diameter Stepped Finial with Caming Trim SFTR=3" Diameter Stepped Finial with Trim Ring TF=Traditional Finial TR=Trim Ring

NOTES: 1. Available in 18". 2. Available in 14" Sphere globe only (233-14-SP). 3. Available with CFL only (347V not available in 13W). 4. Interior applications only.

Specifications and dimensions subject to change without notice. Consult your Cooper Lighting Representative or visit www.cooperlighting.com for available options, accessories and ordering information.

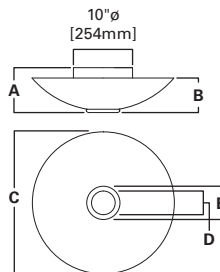
FEATURES

- Painted, chromed cold-rolled steel, solid brass or solid aluminum
- Integral electronic HPF, multi-volt 120/277V (347V Canada-except 13W)
- Standard Matte White finish
- Special-order premium finishes
- Universal circular strap for a standard 4" J-box or stucco ring
- Provided with matte white acrylic bowl
- Variety of trim options available
- UL and CUL approved for interior and damp locations

Compliances may not apply to all product configurations. Please consult the product spec sheet for compliance details.
COMPLIANCES: UL/cUL Listed - Damp Location, ARRA Compliant



210-D - STANDARD



210D SERIES

Standard Sizes	A	B	C	D	E
18"ø [457mm]	7-3/8" [187mm]	5-5/8" [143mm]	18" [457mm]	4" [102mm]	5-5/8" [143mm]
24"ø [610mm]	7-5/8" [194mm]	5-7/8" [149mm]	24" [610mm]	4" [102mm]	5-5/8" [143mm]

ORDERING INFORMATION

SAMPLE NUMBER: 210-D-18-S-CFL/3/13-PARH/1/50-277V-PCP

Series	Size	Mounting Type	Lamp	Downlight Lamp	Voltage
210D=Bowl Surface with Downlight	18=18" 24=24"	S=Surface	CFL/3/13 ¹ CFL/3/26 ² INC/3/40 ¹ INC/3/60 ²	CFL/1/13 PARH/1/50	120V 277V ³ 347V ³
Finish			Options		
Premium ALP=Aluminum Paint CC=Custom Color GNM=Gun Metal NA=Natural Aluminum OBRS=Oxidized Brass	OCP=Oxidized Copper PB=Polished Brass PC=Polished Chrome PCP=Polished Copper PN=Polished Nickel SAL=Lacquered Satin Aluminum	SB=Satin Brass SC=Satin Chrome SCP=Satin Copper SN=Satin Nickel Standard MW=Matte White	2B=Double Bar Trim CT=Caming Trim DL=Damp Location ⁴ DMA10=Dimming Ballast (Advance Mark 10) ^{2,5}	DMA7=Dimming Ballast (Advance Mark 7) ^{2,5} FB=Hand Painted Faux Alabaster Bowl LNB=Hand Painted Faux Linen Bowl REM=Remote Emergency Battery ⁶ TR=Trim Ring	

NOTES: 1. Available in 18". 2. Available in 24". 3. Available with CFL only (347V not available in 13W). 4. Interior applications only. 5. Dimming applies to bowl only. No dimming for downlight lamp. 6. Supplied by others.

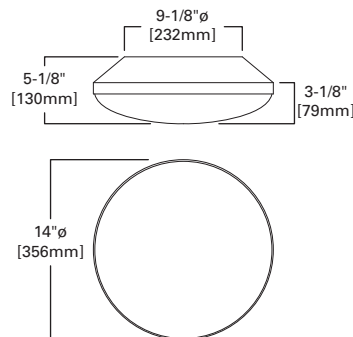
FEATURES

- Painted or natural solid aluminum with a matte white acrylic diffuser
- Integral electronic HPF, multi-volt 120/277V (347V Canada)
- Standard Natural Aluminum finish
- Special-order premium finishes
- Universal circular strap for a standard 4" J-box or stucco ring
- Available for MRI applications (INC only) - contact factory
- UL and CUL approved for interior and damp locations

Compliances may not apply to all product configurations. Please consult the product spec sheet for compliance details.
COMPLIANCES: UL/cUL Listed - Damp Location, ARRA Compliant



213 - STANDARD



213 SERIES

ORDERING INFORMATION

SAMPLE NUMBER: 213-S-CFL/1-277V-CC

Series	Mounting Type	Lamp	Voltage	Finish	Options	
213=Cloud Surface Luminaire	S=Surface	CFL/1 (26/32/42W-Triple)	120V 277V 347V	Premium ALP=Aluminum Paint CC=Custom Color GNM=Gun Metal MW=Matte White OBRS=Oxidized Brass OCP=Oxidized Copper PB=Polished Brass PC=Polished Chrome PCP=Polished Copper	PN=Polished Nickel SAL=Lacquered Satin Aluminum SB=Satin Brass SC=Satin Chrome SCP=Satin Copper SN=Satin Nickel Standard NA=Natural Aluminum	DL=Damp Location ¹ DMA10=Dimming Ballast (Advance Mark 10) DMA7=Dimming Ballast (Advance Mark 7) DML=Dimming Ballast (Lutron) REM=Remote Emergency Battery ²

NOTES: 1. Interior applications only. 2. Supplied by others.

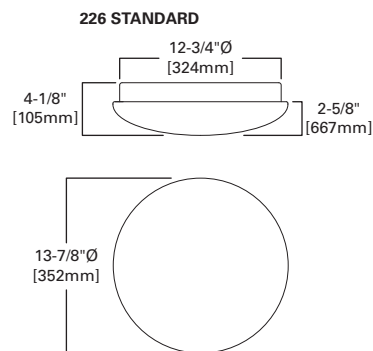


226 SERIES

FEATURES

- Painted or natural solid aluminum material
- Integral electronic HPF, multi-volt 120/277V (347V Canada-except 13W)
- Standard Natural Aluminum finish
- Special-order premium finishes
- Universal circular strap for a standard 4" J-box or plaster ring
- Provided with matte white acrylic bowl
- Available for MRI applications (INC only) - contact factory
- UL and CUL approved for interior and damp locations

Compliances may not apply to all product configurations. Please consult the product spec sheet for compliance details.
COMPLIANCES: UL/cUL Listed - Damp Location, ARRA Compliant



ORDERING INFORMATION

SAMPLE NUMBER: 226-S-CFL/2/26-277V-CAL

Series	Mounting Type	Lamp	Voltage	Finish	Options	
226=Cloud Surface Luminaire	S=Surface	CFL/2/13 CFL/2/26	120V 277V 347V ¹	Premium ALP=Aluminum Paint CC=Custom Color GNM=Gun Metal MW=Matte White OBRS=Oxidized Brass OCP=Oxidized Copper PB=Polished Brass PC=Polished Chrome PCP=Polished Copper	PN=Polished Nickel SAL=Lacquered Satin Aluminum SB=Satin Brass SC=Satin Chrome SCP=Satin Copper SN=Satin Nickel Standard NA=Natural Aluminum	DL=Damp Location ² DMA10=Dimming Ballast (Advance Mark 10) ¹ DMA7=Dimming Ballast (Advance Mark 7) DML=Dimming Ballast (Lutron) ¹ REM=Remote Emergency Battery ³

NOTES: 1. Not available in 13W. 2. Interior applications only. 3. Supplied by others.



230 SERIES

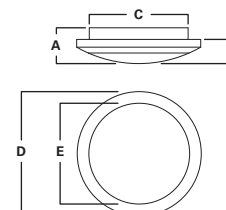
FEATURES

- Cold-rolled steel trim/mounting pan with matte white acrylic diffuser
- Integral electronic HPF, multi-volt 120/277V (347V Canada-except 13W)
- Standard Matte White finish
- Special-order premium finishes
- Mounting pan with matte white acrylic diffuser
- Universal circular strap for a standard 4" J-box or plaster ring
- Diffuser and trim are key slotted for ease of installation
- Available for MRI applications (INC only) - contact factory
- UL and CUL approved for interior and damp locations

Compliances may not apply to all product configurations. Please consult the product spec sheet for compliance details.
COMPLIANCES: UL/cUL Listed - Damp Location, ARRA Compliant



230 - STANDARD



Standard Sizes	A	B	C	D	E
16"Ø [406mm]	4-5/8" [117mm]	3-1/8" [79mm]	12-3/4"Ø [324mm]	16"Ø [406mm]	13"Ø [330mm]
24"Ø [610mm]	6-1/4" [159mm]	4-1/2" [114mm]	19-3/8"Ø [492mm]	24"Ø [610mm]	16"Ø [406mm]
30"Ø [762mm]	7-3/4" [197mm]	6" [152mm]	25-3/8"Ø [645mm]	30"Ø [762mm]	22"Ø [559mm]

ORDERING INFORMATION

SAMPLE NUMBER: 230-30-S-CFL/2/42-277V-SNL

Series	Size	Mounting Type	Lamp	Voltage	Finish	Options	
230=Shallow Bowl Surface with Trim Ring	16=16" 24=24" 30=30"	S=Surface	CFL/2 (26/32W-Triple) ^{1,2} CFL/2/13 ³ CFL/2/26 ³ CFL/2/42 ² INC/2/60	120V 277V ⁴ 347V ^{4,5}	Premium ALP=Aluminum Paint CC=Custom Color GNM=Gun Metal OBRS=Oxidized Brass OCP=Oxidized Copper PB=Polished Brass PC=Polished Chrome PCP=Polished Copper	PN=Polished Nickel SB=Satin Brass SC=Satin Chrome SCP=Satin Copper SN=Satin Nickel Standard MW=Matte White	ACB=Accent Balls DL=Damp Location ⁵ DMA10=Dimming Ballast (Advance Mark 10) ^{4,5} DMA7=Dimming Ballast (Advance Mark 7) ^{4,5} DML=Dimming Ballast (Lutron) ^{4,5} FD=Hand Painted Faux Alabaster Diffuser LND=Hand Painted Faux Linen Diffuser MEM=Modified Integral Emergency Ballast

NOTES: 1. Available in 24". 2. Available in 30". 3. Available in 16". 4. Available with CFL only. 5. Not available in 13W. 6. Interior applications only.

Specifications and dimensions subject to change without notice. Consult your Cooper Lighting Representative or visit www.cooperlighting.com for available options, accessories and ordering information.

FEATURES

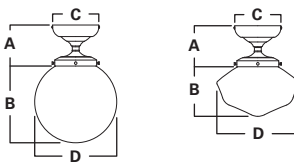
- Painted or chrome-plated, cold-rolled steel or solid brass canopy
- Integral electronic HPF, multi-volt 120/277V (347V Canada)
- Standard Matte White finish
- Special-order premium finishes
- Universal circular strap for a standard 4" J-box or plaster ring
- Available in Sphere or Schoolhouse Glass Globes
- UL and CUL approved for interior and damp locations

Compliances may not apply to all product configurations. Please consult the product spec sheet for compliance details.

COMPLIANCES: UL/cUL Listed - Damp Location, ARRA Compliant



233 - (SP) STANDARD 233 - (SH) STANDARD



Standard Sizes	A	B	C	D
12"Ø SP [305mm]	6"Ø [152mm]	11-1/4"Ø [286mm]	6-3/4"Ø [171mm]	12"Ø [305mm]
14"Ø SP [356mm]	6"Ø [152mm]	13-3/8"Ø [340mm]	6-3/4"Ø [171mm]	14"Ø [356mm]
12"Ø SH [305mm]	6"Ø [152mm]	7-1/4"Ø [184mm]	6-3/4"Ø [171mm]	12"Ø [305mm]
14"Ø SH [356mm]	6"Ø [152mm]	8-1/2"Ø [216mm]	6-3/4"Ø [171mm]	14"Ø [356mm]



233 SERIES

ORDERING INFORMATION

SAMPLE NUMBER: 233-SH-12-S-INC/1/100-120V-SM-DL

Series	Size	Mounting Type	Lamp	Voltage
233SH=Schoolhouse Globe Surface Luminaire 233SP=Sphere Globe Surface Luminaire	12=12" 14=14"	S=Surface	CFL/1 (26/32W-Triple) CFL/1/42 ¹ CFL/2 (26/32W-Triple) ² CFL/2/42 ¹ INC/1/100	120V 277V ³ 347V ³
Finish				Options
Premium ALP=Aluminum Paint CC=Custom Color GNM=Gun Metal OBRS=Oxidized Brass OCP=Oxidized Copper	PB=Polished Brass PC=Polished Chrome PCP=Polished Copper PN=Polished Nickel SB=Satin Brass SC=Satin Chrome	SCP=Satin Copper SN=Satin Nickel Standard MW=Matte White		AG=Acrylic Sphere DL=Damp Location ⁴ DMA10=Dimming Ballast (Advance Mark 10) ³ DMA7=Dimming Ballast (Advance Mark 7) ³ DML=Dimming Ballast (Lutron) ^{5,5} REM=Remote Emergency Battery ⁶

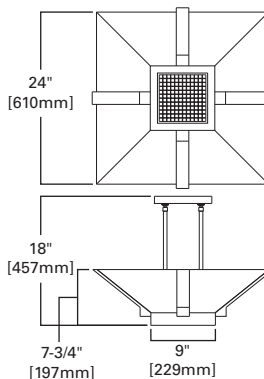
NOTES: 1. Available in 14" Sphere globe only (233-14-SP). 2. CFL/2/32 is not available in 12" Schoolhouse globe (233-SH-12). 3. Available with CFL only. 4. Interior applications only. 5. Available with CFL/1/26/32W lamping only. 6. Supplied by others.

FEATURES

- Painted, plated cold-rolled steel, aluminum, brass or solid bronze
- Integral electronic CFL HPF, multi-volt 120/277V (347V Canada)
- Standard Matte White finish
- Special-order premium finishes
- Strap mounting canopy or bar strap, mounts to 4" J-box or plaster ring
- Matte white acrylic panels and trim; 1/2" Aluminum cube louver
- UL and CUL approved for interior and damp locations

Compliances may not apply to all product configurations. Please consult the product spec sheet for compliance details.

COMPLIANCES: UL/cUL Listed - Damp Location, ARRA Compliant



240 SERIES

ORDERING INFORMATION

SAMPLE NUMBER: 240-S-CFL/4/32-PARH/1/75-120V-OBRS

Series	Mounting Type	Lamp	DL Lamp Options	Voltage
240=Craftsman Surface Luminous Flared Square Luminaire	S=Surface	CFL/4 (26/32W-Quad) INC/4/60	PARH/1/75 PARMH/1/20 PARMH/1/39 PARMH/1/70	120V 277V ¹ 347V ²
Finish			Options	
Premium ALP=Aluminum Paint CC=Custom Color GNM=Gun Metal NA=Natural Aluminum OBRS=Oxidized Brass OCP=Oxidized Copper	PB=Polished Brass PC=Polished Chrome PCP=Polished Copper PN=Polished Nickel SAL=Lacquered Satin Aluminum SB=Satin Brass	SC=Satin Chrome SCP=Satin Copper SN=Satin Nickel Standard MW=Matte White	AL=Matte White Acrylic Lens ³ DL=Damp Location ⁴ DMA10=Dimming Ballast (Advance Mark 10) ^{2,5} DMA7=Dimming Ballast (Advance Mark 7) ^{2,5} DML=Dimming Ballast (Lutron) ^{2,5}	FP=Hand Painted Faux Alabaster Panels IEM1=Integral Emergency Ballast (for 2 lamps) IEM2=Integral Emergency Ballast (for 4 lamps) LNP=Hand Painted Faux Linen Panels SCA=Sloped Ceiling Adaptor ⁶

NOTES: 1. Available with CFL *AND* MH only. 2. Available with CFL only. 3. Not available with downlight. 4. Interior applications only. 5. Dimming applies to bowl only. No dimming for downlight lamp. 6. Specify up to 45°.

Specifications and dimensions subject to change without notice. Consult your Cooper Lighting Representative or visit www.cooperlighting.com for available options, accessories and ordering information.



248 SERIES

FEATURES

- Cold-rolled steel trim and mounting pan with matte white acrylic bowl
- Integral electronic HPF, multi-volt 120/277V (347V Canada-except 13W)
- Standard Matte White finish
- Special-order premium finishes
- Universal circular strap for a standard 4" J-box or plaster ring
- Elliptical or Deep Bowl available in two sizes
- Available for MRI applications (INC only) - contact factory
- UL and CUL approved for interior and damp locations

Compliances may not apply to all product configurations. Please consult the product spec sheet for compliance details.

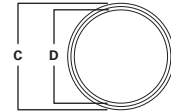
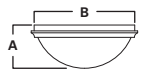
COMPLIANCES: UL/cUL Listed - Damp Location, ARRA Compliant



248 - ELLIPTICAL BOWL (EL) STANDARD



248 - DEEP BOWL (DB) STANDARD



Standard Sizes	A	B	C	D
16" Ø EL [406mm]	4-3/4" [121mm]	12-3/4" Ø [324mm]	16" Ø [406mm]	13" Ø [330mm]
16" Ø DB [406mm]	6-5/8" [168mm]	12-3/4" Ø [324mm]	16" Ø [406mm]	13" Ø [330mm]
20" Ø EL [508mm]	5-3/8" [137mm]	19-3/8" Ø [492mm]	20-1/2" Ø [520mm]	18" Ø [457mm]
20" Ø DB [508mm]	8-3/8" [213mm]	19-3/8" Ø [492mm]	20-1/2" Ø [520mm]	18" Ø [457mm]

ORDERING INFORMATION

SAMPLE NUMBER: 248-DB-16-CFL/2/26-277V-PCP

Series	Size	Mounting Type	Lamp	Voltage	Finish	Options
248DB=Deep Bowl Surface with Trim Ring 248EL=Elliptical Bowl with Trim Ring	16=16" 20=20"	S=Surface	CFL/2/13 ¹ CFL/2/26 CFL/4/27 ² INC/2/40 ¹ INC/2/60 ²	120V 277V ³ 347V ^{3,4}	Premium ALP=Aluminum Paint CC=Custom Color GNM=Gun Metal OBRS=Oxidized Brass OCP=Oxidized Copper PB=Polished Brass PC=Polished Chrome PCP=Polished Copper Standard MW=Matte White	PN=Polished Nickel SB=Satin Brass SC=Satin Chrome SCP=Satin Copper SN=Satin Nickel DL=Damp Location ⁵ DMA10=Dimming Ballast (Advance Mark 10) ⁵ DMA7=Dimming Ballast (Advance Mark 7) ⁵ DML=Dimming Ballast (Lutron) ⁵ FB=Hand Painted Faux Alabaster Bowl IEM=Integral Emergency Ballast ² LNB=Hand Painted Faux Linen Bowl MEM=Modified Integral Emergency Ballast ¹ TF=Traditional Finial

NOTES: 1. Available in 16". 2. Available in 20". 3. Available with CFL only. 4. Not available in 13W. 5. Interior applications only. 6. Available with CFL/2/26W lamping only.



260 SERIES

FEATURES

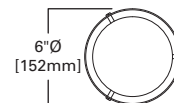
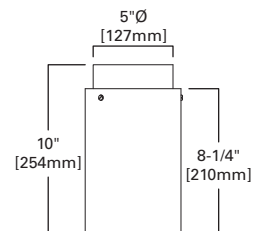
- Solid aluminum construction
- Integral electronic HPF, multi-volt 120/277V (347V Canada)
- Standard Natural Aluminum finish
- Special-order premium finishes
- Universal circular strap for a standard 4" J-box or plaster ring
- Available for MRI applications (INC only) - contact factory
- UL and CUL approved for interior and damp locations

Compliances may not apply to all product configurations. Please consult the product spec sheet for compliance details.

COMPLIANCES: UL/cUL Listed - Damp Location, ARRA Compliant



260 STANDARD



ORDERING INFORMATION

SAMPLE NUMBER: 260-S-INC/1/100-120V-SAL

Series	Mounting Type	Lamp	Voltage	Finish	Options
260=Solid Aluminum Cylinder Surface	S=Surface	CFL/1/18 CFL/1/26 INC/1/100 PARH/1/90	120V 277V ¹ 347V ¹	Premium ALP=Aluminum Paint CC=Custom Color GNM=Gun Metal MW=Matte White OBRS=Oxidized Brass OCP=Oxidized Copper PB=Polished Brass PC=Polished Chrome PCP=Polished Copper Standard NA=Natural Aluminum	PN=Polished Nickel SAL=Lacquered Satin Aluminum SB=Satin Brass SC=Satin Chrome SCP=Satin Copper SN=Satin Nickel DL=Damp Location ² DMA10=Dimming Ballast (Advance Mark 10) ¹ DMA7=Dimming Ballast (Advance Mark 7) ¹ DML=Dimming Ballast (Lutron) ¹ REM=Remote Emergency Battery ³

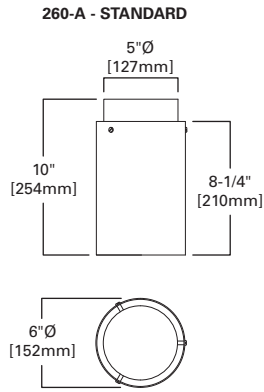
NOTES: 1. Available with CFL only. 2. Interior applications only. 3. Supplied by others.

FEATURES

- Solid aluminum with a matte white acrylic cylinder
- Integral electronic HPF, multi-volt 120/277V (347V Canada)
- Standard Natural Aluminum finish
- Special-order premium finishes
- Universal circular strap for a standard 4" J-box or plaster ring
- Available for MRI applications (INC only) - contact factory
- UL and CUL approved for interior and damp locations

Compliances may not apply to all product configurations. Please consult the product spec sheet for compliance details.

COMPLIANCES: UL/cUL Listed - Damp Location, ARRA Compliant



260A SERIES

ORDERING INFORMATION

SAMPLE NUMBER: 260A-S-CFL/1/18-277V-ALP-DL

Series	Mounting Type	Lamp	Voltage	Finish	Options
260A=Cylinder Surface	S=Surface	CFL/1/18 CFL/1/26 INC/1/75	120V 277V ¹ 347V ¹	Premium ALP=Aluminum Paint CC=Custom Color GNM=Gun Metal MW=Matte White OBRS=Oxidized Brass OCP=Oxidized Copper PB=Polished Brass PC=Polished Chrome PCP=Polished Copper Standard NA=Natural Aluminum	PN=Polished Nickel SAL=Lacquered Satin Aluminum SB=Satin Brass SC=Satin Chrome SCP=Satin Copper SN=Satin Nickel DL=Damp Location ² DMA10=Dimming Ballast (Advance Mark 10) ¹ DMA7=Dimming Ballast (Advance Mark 7) ¹ DML=Dimming Ballast (Lutron) ¹ PFB=Perforated Band REM=Remote Emergency Battery ³

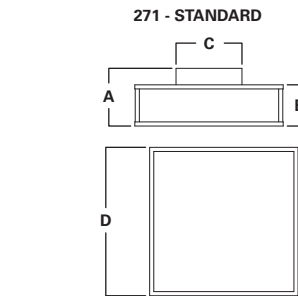
NOTES: 1. Available with CFL only. 2. Interior applications only. 3. Supplied by others.

FEATURES

- Painted, plated cold-rolled steel, stainless steel or solid bronze
- Integral electronic HPF, multi-volt 120/277V (347V Canada-except 13W)
- Standard Matte White finish
- Special-order premium finishes
- Universal circular strap for a standard 4" J-box or plaster ring
- Matte white acrylic panels
- UL and CUL approved for interior and damp locations

Compliances may not apply to all product configurations. Please consult the product spec sheet for compliance details.

COMPLIANCES: UL/cUL Listed - Damp Location, ARRA Compliant



271 SERIES

Standard Sizes	A	B	C	D
14" SQ [356mm]	6" [152mm]	4" [102mm]	8" SQ [203mm]	14" SQ [356mm]
18" SQ [457mm]	7" [178mm]	5" [127mm]	8" SQ [203mm]	18" SQ [457mm]

ORDERING INFORMATION

SAMPLE NUMBER: 271-18-S-INC/2/75-120V-SBZ

Series	Size	Mounting Type	Lamp	Voltage	Finish	Options
271=Craftsmen Square Surface	14=14" 18=18"	S=Surface	CFL/2/13 ¹ CFL/2/26 INC/2/60 ¹ INC/2/75 ²	120V 277V ³ 347V ^{3,4}	Premium ALP=Aluminum Paint CC=Custom Color OBZ=Hand Oxidized Bronze SB=Satin Brass SBZ=Satin Bronze SSS=Satin Stainless Steel Standard MW=Matte White	4P=Four Panel 5P2TB=5 Panel with Double Trim Bars DL=Damp Location ⁵ DMA10=Dimming Ballast (Advance Mark 10) ⁶ DMA7=Dimming Ballast (Advance Mark 7) ⁵ DML=Dimming Ballast (Lutron) ⁶ FP=Hand Painted Faux Alabaster Panels LNP=Hand Painted Faux Linen Panels MEM=Modified Integral Emergency Ballast MSP=Mica Side Panels OG=Opal Glass

NOTES: 1. Available in 14". 2. Available in 18". 3. Available with CFL only. 4. Not available in 13W. 5. Interior applications only. 6. Available with CFL/2/26W lamping option only.



273 SERIES

FEATURES

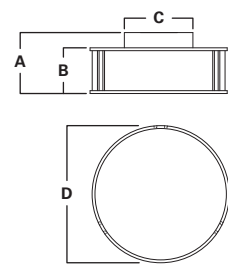
- Cold-rolled steel mounting pan, painted aluminum or brass trim
- Integral electronic HPF, multi-volt 120/277V (347V Canada-except 13W)
- Standard Matte White finish
- Special-order premium finishes
- Universal circular strap for a standard 4" J-box or plaster ring
- Available with various trim bar and diffuser options
- UL and CUL approved for interior and damp locations

Compliances may not apply to all product configurations. Please consult the product spec sheet for compliance details.

COMPLIANCES: UL/cUL Listed - Damp Location, ARRA Compliant



273 - STANDARD



Standard Sizes	A	B	C	D
14"Ø [356mm]	7" [178mm]	5" [127mm]	9"Ø [229mm]	14"Ø [356mm]
18"Ø [457mm]	8" [203mm]	6" [152mm]	9"Ø [229mm]	18"Ø [457mm]

ORDERING INFORMATION

SAMPLE NUMBER: 273-18-S-INC/2/75-120V-PB

Series	Size	Mounting Type	Lamp	Voltage	Finish	Options
273=Architectural Drum Surface	14=14" 18=18"	S=Surface	CFL/2/13 ¹ CFL/2/26 INC/2/60 ¹ INC/2/75 ²	120V 277V ³ 347V ^{3,4}	Premium ALP=Aluminum Paint CC=Custom Color OBRS=Oxidized Brass PAL=Lacquered Polished Aluminum PB=Polished Brass SAL=Lacquered Satin Aluminum SB=Satin Brass Standard MW=Matte White NA=Natural Aluminum	CBI=Cobalt Blue Inserts CTB=Circular Trim Bar DL=Damp Location ⁵ DMA10=Dimming Ballast (Advance Mark 10) ⁶ DMA7=Dimming Ballast (Advance Mark 7) ⁶ DML=Dimming Ballast (Lutron) ⁵ FS=Hand Painted Faux Alabaster Side LNS=Hand Painted Faux Linen Side MEM=Modified Integral Emergency Ballast PF=Perforated Side

NOTES: 1. Available in 14". 2. Available in 18". 3. Available with CFL only. 4. Not available in 13W. 5. Interior applications only. 6. Available with CFL/2/26W lamping option only.



278 SERIES

FEATURES

- Aluminum construction and aluminum hexel louver
- Integral electronic HPF, multi-volt 120/277V (347V Canada)
- Standard Natural Aluminum finish
- Special-order premium finishes
- Universal circular strap for a standard 4" J-box or plaster ring
- Optional tempered sandblasted glass lens
- Available for MRI applications (INC only) - contact factory
- UL and CUL approved for interior and damp locations

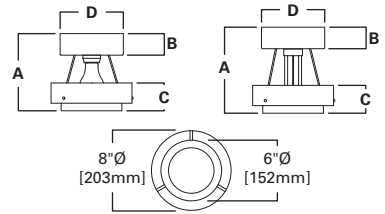
Compliances may not apply to all product configurations. Please consult the product spec sheet for compliance details.

COMPLIANCES: UL/cUL Listed - Damp Location, ARRA Compliant



278 INC - STANDARD

278 CFL - STANDARD



Standard Sizes	A	B	C	D
INC	7-5/8" [194mm]	2-1/8" [54mm]	2-3/4" [70mm]	6-1/4"Ø [159mm]
CFL	8-1/2" [216mm]	2-1/8" [54mm]	2-3/4" [70mm]	6-1/4"Ø [159mm]

ORDERING INFORMATION

SAMPLE NUMBER: 278-S-INC/1/100-120V-CAL-DL

Series	Mounting Type	Lamp	Voltage	Finish	Options	
278=Ring Baffle Surface	S=Surface	CFL/1/26 CFL/1/32 INC/1/100 PARH/1/90	120V 277V ¹ 347V ¹	Premium ALP=Aluminum Paint CC=Custom Color GNM=Gun Metal MW=Matte White OBRS=Oxidized Brass OCP=Oxidized Copper PB=Polished Brass PC=Polished Chrome PCP=Polished Copper Standard NA=Natural Aluminum	PN=Polished Nickel SAL=Lacquered Satin Aluminum SB=Satin Brass SC=Satin Chrome SCP=Satin Copper SN=Satin Nickel Standard NA=Natural Aluminum	AB=Acrylic Baffle ¹ DL=Damp Location ² DMA10=Dimming Ballast (Advance Mark 10) ¹ DMA7=Dimming Ballast (Advance Mark 7) ¹ DML=Dimming Ballast (Lutron) ¹ PFB=Perforated Band REM=Remote Emergency Battery ³ TL=Tempered Sandblasted Glass Lens

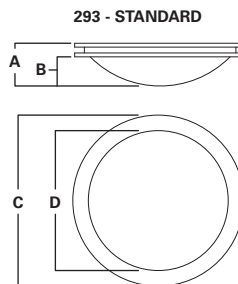
NOTES: 1. Available with CFL only. 2. Interior applications only. 3. Supplied by others.

FEATURES

- Aluminum or brass mounting pan and rings, matte white acrylic diffuser
- Integral electronic HPF, multi-volt 120/277V (347V Canada)
- Standard Matte White finish
- Special-order premium finishes
- Universal circular strap for a standard 4" J-box or plaster ring
- Various bowl and trim options
- UL and CUL approved for interior and damp locations

Compliances may not apply to all product configurations. Please consult the product spec sheet for compliance details.

COMPLIANCES: UL/cUL Listed - Damp Location, ARRA Compliant



Standard Sizes	A	B	C	D
16"Ø [406mm]	4" [102mm]	2-3/4" [70mm]	16"Ø [406mm]	12-3/16"Ø [310mm]
22"Ø [559mm]	5-1/2" [140mm]	3-3/4" [95mm]	22" [559mm]	18" [457mm]

293 SERIES

ORDERING INFORMATION

SAMPLE NUMBER: 293-22-S-T5C/2/22/40-277V-PCP

Series	Size	Mounting Type	Lamp	Voltage	Finish ⁴		
293=Double Ring Surface	16=16" 22=22"	S=Surface	T5C/1/22 ¹ T5C/1/40 ¹ T5C/2/22/40 ²	120V 277V ³ 347V ³	Premium ALP=Aluminum Paint CC=Custom Color GNM=Gun Metal NA=Natural Aluminum OBRS=Oxidized Brass	OCP=Oxidized Copper PB=Polished Brass PC=Polished Chrome PCP=Polished Copper PN=Polished Nickel SAL=Lacquered Satin Aluminum	SB=Satin Brass SC=Satin Chrome SCP=Satin Copper SN=Satin Nickel Standard MW=Matte White
Finish (Custom Metals Only) ⁵					Pattern ⁶	Options	
Colors BPL=Pearl Black BRS=Brass CBT=Cabernet CLE=Chocolate CLR=Clear CMP=Champagne		CPR=Copper IDO=Indigo PWR=Pewter RBE=Royal Blue SGE=Sage SGN=Slate Green SPE=Sapphire		COL=Coral SHL=Seashell SMT=Smooth		DL=Damp Location ⁷ F2B=Finial with Double Bar Trim FB=Hand Painted Faux Alabaster Bowl LNB=Hand Painted Faux Linen Bowl REM=Remote Emergency Battery ⁸	

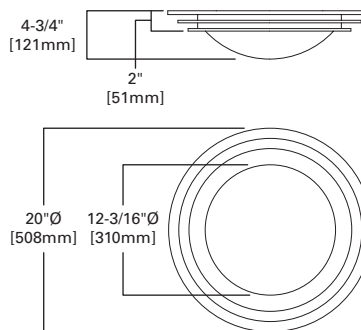
NOTES: 1. Available in 16". 2. Available in 22". 3. Available with CFL only. 4. Leave blank if specifying Custom Decorative Metals Finish. 5. Select a finish and pattern for Decorative Metals Finish. 6. Available in Customer Decorative Metals only. 7. Interior applications only. 8. Supplied by others.

FEATURES

- Cold-rolled steel mounting pan and rings
- Integral electronic HPF, multi-volt 120/277V (347V Canada)
- Standard Matte White finish
- Special-order premium finishes
- Universal circular strap for a standard 4" J-box or plaster ring
- Various bowl and trim options
- UL and CUL approved for interior and damp locations

Compliances may not apply to all product configurations. Please consult the product spec sheet for compliance details.

COMPLIANCES: UL/cUL Listed - Damp Location, ARRA Compliant



293S SERIES

293-S STANDARD

ORDERING INFORMATION

SAMPLE NUMBER: 293S-S-T5C/1/40-277V-PCP

Series	Mounting Type	Lamp	Voltage	Finish ^{1,2}		
293S=Triple Ring Surface	S=Surface	T5C/1/22 T5C/1/40	120V 277V 347V	Premium ALP=Aluminum Paint CC=Custom Color GNM=Gun Metal NA=Natural Aluminum OBRS=Oxidized Brass	OCP=Oxidized Copper PB=Polished Brass PC=Polished Chrome PCP=Polished Copper PN=Polished Nickel SAL=Lacquered Satin Aluminum	SB=Satin Brass SC=Satin Chrome SCP=Satin Copper SN=Satin Nickel Standard MW=Matte White
Finish (Custom Metals Only) ³				Pattern ⁴	Options	
Colors BPL=Pearl Black BRS=Brass CBT=Cabernet CLE=Chocolate CLR=Clear CMP=Champagne		CPR=Copper IDO=Indigo PWR=Pewter RBE=Royal Blue SGE=Sage SGN=Slate Green SPE=Sapphire		COL=Coral SHL=Seashell SMT=Smooth		ACR=Frosted Acrylic Center Ring DL=Damp Location ⁵ FB=Hand Painted Faux Alabaster Bowl LNB=Hand Painted Faux Linen Bowl REM=Remote Emergency Battery ⁶

NOTES: 1. Leave blank if specifying Custom Decorative Metals Finish. 2. For polished finishes the bottom inside edge of the ring is satin to prevent upper ring reflections. 3. Select a finish and pattern for Decorative Metals Finish. 4. Available in Custom Decorative Metals only. 5. Interior applications only. 6. Supplied by others.

Specifications and dimensions subject to change without notice. Consult your Cooper Lighting Representative or visit www.cooperlighting.com for available options, accessories and ordering information.

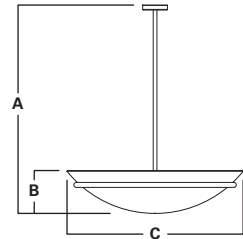


FEATURES

- Aluminum or cold-rolled steel, powder coat white support assembly
- Integral electronic HPF, multi-volt 120/277V (347V Canada)
- Standard Natural Aluminum finish
- Special-order premium finishes
- Circle strap mounting canopy or bar strap, to 4" J-box or plaster ring
- Standard Glass Starfire White bowl
- Glass colors and faux finish options available
- Optional bowl accents available
- UL and CUL approved for interior locations

Compliances may not apply to all product configurations. Please consult the product spec sheet for compliance details.

COMPLIANCES: UL/cUL Listed, ARRA Compliant



300 - Standard

Standard Sizes	A	B	C
24" Ø	24"	7"	24" Ø
[610mm]	[610mm]	[178mm]	[610mm]
30" Ø	32"	7-5/8"	30" Ø
[762mm]	[813mm]	[194mm]	[762mm]
36" Ø	42"	8-5/8"	36" Ø
[914mm]	[1067mm]	[219mm]	[914mm]

300 SERIES



ORDERING INFORMATION

SAMPLE NUMBER: 300-24-P1S-CFL/4/26-120V-NA-GSMW-DML-30

Series	Size	Mounting Type	Lamp	Voltage	Finish		
300=Aero Interior Pendant	24=24" 30=30" 36=36"	P1S=Pendant Single Stem ¹	CFL/4/18 CFL/4/26 CFL/4/32 ^{2,3} CFL/4/42 ^{2,3} INC/4/100 ² INC/4/150 ³ INC/4/75 ⁴	120V 277V ⁵ 347V ⁵	Premium CC=Custom Color GNM=Gun Metal MW=Matte White OBRS=Oxidized Brass OCP=Oxidized Copper	PB=Polished Brass PC=Polished Chrome PCP=Polished Copper PN=Polished Nickel SAL=Lacquered Satin Aluminum	SB=Satin Brass SC=Satin Chrome SCP=Satin Copper SN=Satin Nickel Standard NA=Natural Aluminum
Glass Finish		Options				OA	
Premium GSF=Glass Starfire Fawn GSMF=Glass Starfire Marble Fawn GSMW=Glass Starfire Marble White Standard GSW=Glass Starfire White		ACB=Accent Balls DMA10=Dimming Ballast (Advance Mark 10) ⁵ DMA7=Dimming Ballast (Advance Mark 7) ⁵ DML=Dimming Ballast (Lutron) ⁵ IEM=Integral Emergency Ballast ^{2,3,5} REM=Remote Emergency Battery ^{6,4,5} TRX=Trim Rings with "X" Emblem				24" OA=24" Diameter ⁷ 32" OA=30" Diameter ⁷ 44" OA=36" Diameter ⁷	

NOTES: 1. Contact factory for additional pendant mounting types. 2. Available in 30". 3. Available in 36". 4. Available in 24". 5. Available with CFL only. 6. Supplied by others. 7. Or specify.



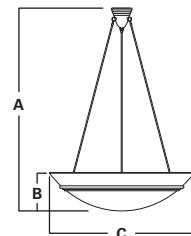
FEATURES

- Aluminum or cold rolled steel, powder coat white support assembly
- Integral electronic HPF, multi-volt 120/277V (347V Canada)
- Standard Natural Aluminum finish
- Special-order premium finishes
- Circle strap mounting canopy or bar strap, to 4" J-box or plaster ring
- Standard Glass Starfire White bowl
- Glass colors and faux finish options available
- Optional trim ring accent available
- UL and CUL approved for interior locations

Compliances may not apply to all product configurations. Please consult the product spec sheet for compliance details.

COMPLIANCES: UL/cUL Listed, ARRA Compliant

301 - STANDARD



Standard Sizes	A	B	C
24"	24"	4-1/4"	24"
[610mm]	[610mm]	[108mm]	[610mm]
30"	32"	6-1/2"	30"
[762mm]	[813mm]	[165mm]	[762mm]
36"	42"	7-3/4"	36"
[914mm]	[1067mm]	[197mm]	[914mm]

301 SERIES



ORDERING INFORMATION

SAMPLE NUMBER: 301-30-PTP-INC/3/100-120V-PCP-GSW-45

Series	Size	Mounting Type	Lamp	Voltage	Finish		
301=Alfresco Interior Pendant	24=24" 30=30" 36=36"	PTP=Pendant Tri-Pod ¹	CFL/3/18 CFL/3/26 CFL/3/32 ^{2,3} CFL/3/42 ^{2,3} INC/3/100 ² INC/3/150 ³ INC/3/75 ⁴	120V 277V ⁵ 347V ⁵	Premium CC=Custom Color GNM=Gun Metal MW=Matte White OBRS=Oxidized Brass OCP=Oxidized Copper	PB=Polished Brass PC=Polished Chrome PCP=Polished Copper PN=Polished Nickel SAL=Lacquered Satin Aluminum	SB=Satin Brass SC=Satin Chrome SCP=Satin Copper SN=Satin Nickel Standard NA=Natural Aluminum
Glass Finish		Options				OA	
Premium GSF=Glass Starfire Fawn GSMF=Glass Starfire Marble Fawn GSMW=Glass Starfire Marble White Standard GSW=Glass Starfire White		DMA10=Dimming Ballast (Advance Mark 10) ⁵ DMA7=Dimming Ballast (Advance Mark 7) ⁵ DML=Dimming Ballast (Lutron) ⁵ IEM=Integral Emergency Ballast ^{2,3,5} REM=Remote Emergency Battery ^{6,4,5} SCA=Sloped Ceiling Adaptor ⁷ TRCR=Trim Ring with Cross Strap				24" OA=24" Diameter ⁸ 32" OA=30" Diameter ⁸ 42" OA=36" Diameter ⁸	

NOTES: 1. Contact factory for additional pendant mounting types. 2. Available in 30". 3. Available in 36". 4. Available in 24". 5. Available with CFL only. 6. Supplied by others. 7. Specify up to 45". 8. Or specify.

Specifications and dimensions subject to change without notice. Consult your Cooper Lighting Representative or visit www.cooperlighting.com for available options, accessories and ordering information.

FEATURES

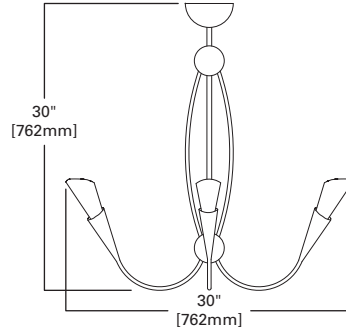
- Brass stem and body
- Standard Matte White finish
- Special-order premium finishes
- Circle strap mounting canopy or bar strap to 4" J-box or plaster ring
- Four or eight bowed stems join at two 3" diameter balls
- Glass Frosted White is standard
- UL and CUL approved for interior locations

Compliances may not apply to all product configurations. Please consult the product spec sheet for compliance details.

COMPLIANCES: UL/cUL Listed, ARRA Compliant



306 - 30 INCH - 4 ARM STANDARD



306 SERIES

ORDERING INFORMATION

SAMPLE NUMBER: 306/4-P1S-HAL/4/60-120V-SCP-GFW-42

Series	Mounting Type	Lamp	Voltage	Finish	Glass Finish	Options	OA
306/4=Chinchilla Interior Pendant - 4 arm 306/8=Chinchilla Interior Pendant - 8 arm	P1S=Pendant Single Stem	HAL/4/60 ¹ HAL/8/60 ² XEL/4/50 ¹ XEL/8/50 ²	120V (only)	Premium CC=Custom Color GNM=Gun Metal OBRS=Oxidized Brass OCP=Oxidized Copper PB=Polished Brass PC=Polished Chrome PCP=Polished Copper Standard PN=Polished Nickel SB=Satin Brass SC=Satin Chrome SCP=Satin Copper SN=Satin Nickel Standard MW=Matte White	Standard GFW=Glass Frosted White	SCA=Sloped Ceiling Adaptor ³	30" OA=30" OA ⁴

NOTES: 1. Four arm pendant. 2. Eight arm pendant. 3. Specify up to 45°. 4. Or specify.

FEATURES

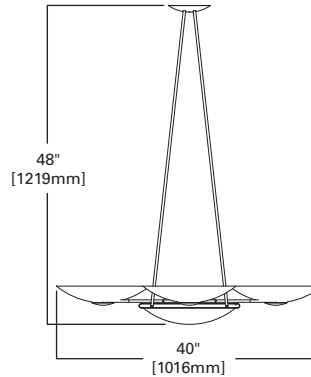
- Brass or aluminum stems with brass trim and ball
- 120V: T-5 (mini-can) Xelogen or 60W (G9) pinched quartz halogen
- Standard Natural Aluminum finish
- Special-order premium finishes
- Circle strap mounting canopy or bar strap, to 4" J-box or plaster ring
- Quad-pod has four 3/8" stems with a decorative ring attachment
- Standard Glass Starfire White bowl
- Glass colors and faux finish options available
- UL and CUL approved for interior locations

Compliances may not apply to all product configurations. Please consult the product spec sheet for compliance details.

COMPLIANCES: UL/cUL Listed, ARRA Compliant



308 STANDARD



308 SERIES

ORDERING INFORMATION

SAMPLE NUMBER: 308-PQP-XEL/6/50-120V-NA-GSMW-42

Series	Mounting Type	Lamp	Voltage	Finish	Glass Finish	Options	OA
308=Cloud Interior Pendant	PQP=Pendant Quad-Pod	HAL/6/60 XEL/6/50	120V	Premium CC=Custom Color GNM=Gun Metal OBRS=Oxidized Brass OCP=Oxidized Copper PB=Polished Brass PC=Polished Chrome PCP=Polished Copper Standard PN=Polished Nickel SB=Satin Brass SC=Satin Chrome SCP=Satin Copper SN=Satin Nickel Standard MW=Matte White	Premium GSF=Glass Starfire Fawn GSMF=Glass Starfire Marble Fawn GSMW=Glass Starfire Marble White Standard GSW=Glass Starfire White	CSB=Center Stem with Ball SCA=Sloped Ceiling Adaptor ¹	48" OA=48" OA ²

NOTES: 1. Specify up to 45°. 2. Or specify.



329 SERIES

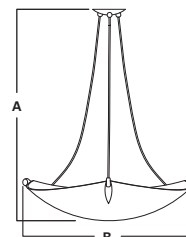
FEATURES

- Brass, steel or aluminum cast tapered medallion attachments
- Integral electronic HPF, 13W lamp is available with multi-volt 120/277V
- Standard: Natural Aluminum finish
- Special-order premium finishes
- Circle strap mounting canopy or bar strap, to 4" J-box or plaster ring
- Glass finish with gold, silver or copper "foil" leaf is standard
- Available in Architectural "Green" Glass
- UL and CUL approved for interior locations

Compliances may not apply to all product configurations. Please consult the product spec sheet for compliance details.
COMPLIANCES: UL/cUL Listed, ARRA Compliant



329 - STANDARD



Standard Sizes	A	B
24"	24"	24"
[610mm]	[610mm]	[610mm]
30"	32"	29-5/8"
[762mm]	[813mm]	[752mm]
36"	42"	34-1/2"
[914mm]	[1067mm]	[876mm]

ORDERING INFORMATION

SAMPLE NUMBER: 329-30-PTP-INC/3/75-120V-SB-GACL-32

Series	Size	Mounting Type	Lamp	Voltage	Finish
329=Silk Interior Pendant	24=24" 30=30" 36=36"	PTP=Pendant Tri-Pod ¹	CFL/3/13 ² CFL/3/18 ^{3,4} INC/3/75	120V 277V ⁵	Premium CC=Custom Color GNM=Gun Metal MW=Matte White OBRS=Oxidized Brass OCP=Oxidized Copper PB=Polished Brass PC=Polished Chrome PCP=Polished Copper PN=Polished Nickel SAL=Lacquered Satin Aluminum SB=Satin Brass SC=Satin Chrome SCP=Satin Copper SN=Satin Nickel Standard NA=Natural Aluminum
Glass Finish		Options			OA
Standard GACL=Glass Architectural Copper Leaf GAGL=Glass Architectural Gold Leaf GASL=Glass Architectural Silver Leaf		SCA=Sloped Ceiling Adaptor ⁶			24" OA=24" Diameter ⁷ 32" OA=30" Diameter ⁷ 42" OA=36" Diameter ⁷

NOTES: 1. Contact factory for additional pendant mounting types. 2. Available in 24". 3. Available in 30". 4. Available in 36". 5. Available with CFL only. 6. Specify up to 45". 7. Or specify.

FEATURES

- Features 4" Portfolio CFL Downlight
- Twelve glass options available
- Exclusive sandblasted patterns available
- Three dimming options available
- Tool-less installation
- Available in 18W or 26W 4-pin triple CFL
- UL and CUL approved for damp locations

Compliances may not apply to all product configurations. Please consult the product spec sheet for compliance details.

COMPLIANCES: UL/cUL Listed



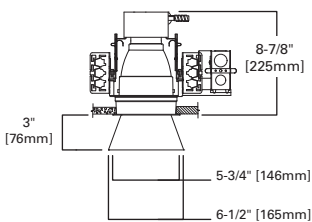
340-4 CFL DL SERIES

ORDERING INFORMATION

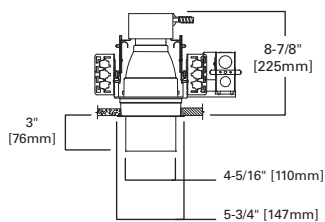
SAMPLE NUMBER: 340-4-DL-CFL/1/26-120V-SCSF-SGPC-DML

Series	Lamp	Voltage	Finish/Power Module	Glass Options	Options
340-4-DL =Recessed 4" Downlight	CFL/1/18 CFL/1/26	120V 277V 347V	SCSF =Semi-Specular Clear, Lensed Self-Flanged Reflector	CYC =Cylindrical Glass, Polished - Clear CYF =Cylindrical Glass, Polished - Frosted CYF-CRT =Cylindrical Glass, Polished - Frosted Crossette CYF-CTY =Cylindrical Glass, Polished - Frosted Catenary CYF-DVN =Cylindrical Glass, Polished -Frosted Division CYF-QDE =Cylindrical Glass, Polished - Frosted Quadrate CYF-SGL =Cylindrical Glass, Polished - Frosted Spangle GIG-CICO =Glass-in-a-Glass, Polished - Clear Inside, Clear Outside GIG-FICO =Glass-in-a-Glass, Polished - Frosted Inside, Clear Outside GIG-FIFO =Glass-in-a-Glass, Polished - Frosted Inside, Frosted Outside SGPC =Splayed Glass, Polished - Clear SGPF =Splayed Glass, Polished - Frosted	DMA10 =Advance Mark 10 dimming DMA7 =Advance Mark 7 dimming DML =Lutron dimming

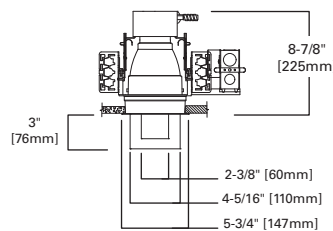
340-4-CFL-SGPC or SGPF



340-4-CFL-CYC or CYF



340-4-CFL-GIG



Specifications and dimensions subject to change without notice. Consult your Cooper Lighting Representative or visit www.cooperlighting.com for available options, accessories and ordering information.



FEATURES

- Features 4" Portfolio LED Downlight
- Cylindrical or Splayed Clear or Frosted Borosilicate Glass
- Twelve Glass options available
- Exclusive sandblasted patterns available
- Optional Inner Fluted Cylindrical Borosilicate Glass
- Three dimming options available
- Tool-less installation
- Available in 14W (900 lm) or 25WHO (1,300 lm) LED
- UL and CUL approved for damp locations

COMPLIANCES: UL/cUL Listed



340-4 LED DL SERIES

ORDERING INFORMATION

SAMPLE NUMBER: 340-4-DL-LED835/1/14-120V-SCSF-ERW4-SGPC-DMR10

Series	LED ¹	Voltage	Finish/Power Module				
340-4-DL=Recessed 4" Downlight	LED827/1/14 ²	120V 277V	SCSF-ERW4=4" Module for Wide Beam, Semi-Specular Clear, Self-Flanged Reflector				
	LED827/1/18 ³						
	LED827/1/25HO ³						
	LED830/1/14 ²						
	LED830/1/18 ³						
	LED830/1/25HO ³	LED835/1/14 ²	LED835/1/18 ³	LED835/1/25HO ³	LED840/1/14 ²	LED840/1/18 ³	LED840/1/25HO ³

Glass Options

- CYC**=Cylindrical Glass, Polished - Clear
- CYF**=Cylindrical Glass, Polished - Frosted
- CYF-CRT**=Cylindrical Glass, Polished - Frosted Crossette
- CYF-CTY**=Cylindrical Glass, Polished - Frosted Catenary
- CYF-DVN**=Cylindrical Glass, Polished -Frosted Division
- CYF-QDE**=Cylindrical Glass, Polished - Frosted Quadrate

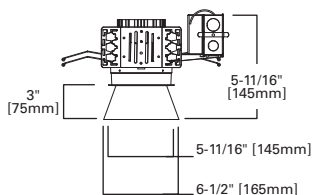
- CYF-SGL**=Cylindrical Glass, Polished - Frosted Spangle
- GIG-CICO**=Glass-in-a-Glass, Polished - Clear Inside, Clear Outside
- GIG-FICO**=Glass-in-a-Glass, Polished - Frosted Inside, Clear Outside
- GIG-FIFO**=Glass-in-a-Glass, Polished - Frosted Inside, Frosted Outside
- SGPC**=Splayed Glass, Polished - Clear
- SGPF**=Splayed Glass, Polished - Frosted

Options⁴

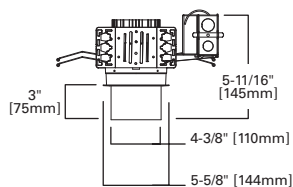
- DML**=Lutron Dimming
- DMR10**=120 Volt, 2-wire Phase Control Dimming²
- DMR7**=0-10 Volt Dimming³

NOTES: 1. Refer to LED details in Specification Features (on page 1) for actual wattages. 2. 14W is only available with DMR10 dimming. 3. 18W and 25WHO are only available with DMR7. 4. A dimming driver is supplied standard, one must be selected to complete catalog number.

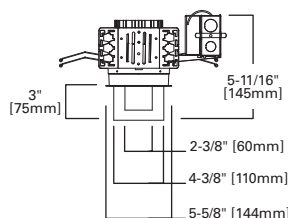
340-4-LED-SGPC or SGPF



340-4-LED-CYC or CYF



340-4-LED-GIG



Specifications and dimensions subject to change without notice. Consult your Cooper Lighting Representative or visit www.cooperlighting.com for available options, accessories and ordering information.

FEATURES

- Features 6" Portfolio CFL Downlight
- Twelve glass options available
- Exclusive sandblasted patterns available
- Three dimming options available
- Tool-less installation
- Available in 26W, 32W or 42W 4-pin triple CFL
- UL and CUL approved for damp locations

Compliances may not apply to all product configurations. Please consult the product spec sheet for compliance details.

COMPLIANCES: UL/cUL Listed

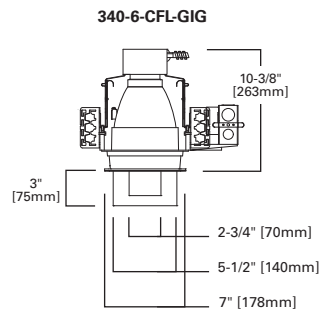
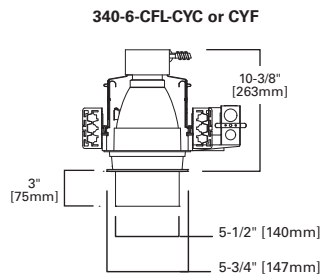
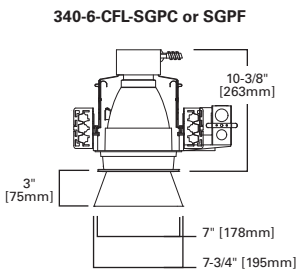


340-6 CFL DL SERIES

ORDERING INFORMATION

SAMPLE NUMBER: 340-6-DL-CFL/1/32-120V-SCSF-SGPC-DML

Series	Lamp	Voltage	Finish/Power Module	Glass Options	Options
340-6-DL =Recessed 6" Downlight	CFL/1/26 CFL/1/32 CFL/1/42	120V 277V 347V	SCSF =Semi-Specular Clear, Lensed Self-Flanged Reflector	CYC =Cylindrical Glass, Polished - Clear CYF =Cylindrical Glass, Polished - Frosted CYF-CRT =Cylindrical Glass, Polished - Frosted Crossette CYF-CTY =Cylindrical Glass, Polished - Frosted Catenary CYF-DVN =Cylindrical Glass, Polished - Frosted Division CYF-QDE =Cylindrical Glass, Polished - Frosted Quadrate CYF-SGL =Cylindrical Glass, Polished - Frosted Spangle GIG-CICO =Glass-in-a-Glass, Polished - Clear Inside, Clear Outside GIG-FICO =Glass-in-a-Glass, Polished - Frosted Inside, Clear Outside GIG-FIFO =Glass-in-a-Glass, Polished - Frosted Inside, Frosted Outside SGPC =Splayed Glass, Polished - Clear SGPF =Splayed Glass, Polished - Frosted	DMA10 =Advance Mark 10 dimming DMA7 =Advance Mark 7 dimming DML =Lutron dimming



Specifications and dimensions subject to change without notice. Consult your Cooper Lighting Representative or visit www.cooperlighting.com for available options, accessories and ordering information.



FEATURES

- Features 6" Portfolio LED Downlight
- Twelve glass options available
- Exclusive sandblasted patterns available
- Three dimming options available
- Tool-less installation
- Available in 14W (1,000 lm) or 25WHO (1,500 lm) LED
- UL and CUL approved for damp locations

COMPLIANCES: UL/cUL Listed



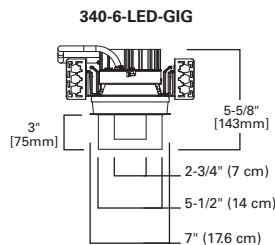
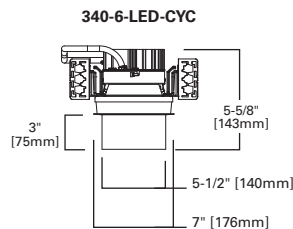
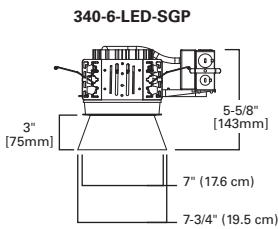
340-6 LED DL SERIES

ORDERING INFORMATION

SAMPLE NUMBER: 340-6-DL-LED835/1/18-120V-SCSF-ERW6-SGPC-DMR7

Series	LED ¹	Voltage	Finish/Power Module	
340-6-DL=Recessed 6" Downlight	LED827/1/14 ²	LED835/1/14 ²	SCSF-ERW6=6" module for Wide Beam, Semi-Specular Clear, Self-Flanged Reflector	
	LED827/1/18 ³	LED835/1/18 ³		
	LED827/1/25HO ³	LED835/1/25HO ³		
	LED830/1/14 ²	LED840/1/14 ²		
	LED830/1/18 ³	LED840/1/18 ³		
	LED830/1/25HO ³	LED840/1/25HO ³		
Glass Options			Options ⁴	
<p>CYC=Cylindrical Glass, Polished - Clear CYF=Cylindrical Glass, Polished - Frosted CYF-CRT=Cylindrical Glass, Polished - Frosted Crossette CYF-CTY=Cylindrical Glass, Polished - Frosted Catenary CYF-DVN=Cylindrical Glass, Polished -Frosted Division CYF-QDE=Cylindrical Glass, Polished - Frosted Quadrate</p>			<p>CYF-SGL=Cylindrical Glass, Polished - Frosted Spangle GIG-CICO=Glass-in-a-Glass, Polished - Clear Inside, Clear Outside GIG-FICO=Glass-in-a-Glass, Polished - Frosted Inside, Clear Outside GIG-FIFO=Glass-in-a-Glass, Polished - Frosted Inside, Frosted Outside SGPC=Splayed Glass, Polished - Clear SGPF=Splayed Glass, Polished - Frosted</p>	<p>DML=Lutron dimming DMR10=120 Volt, 2-wire Phase Control dimming² DMR7=0-10 Volt dimming³</p>

NOTES: 1. Refer to LED details in Specification Features (on page 1) for actual wattages. 2. 14W is only available with DMR10 dimming. 3. 18W and 25WHO are only available with DMR7. 4. A dimming driver is supplied standard, one must be selected to complete catalog number.



Specifications and dimensions subject to change without notice. Consult your Cooper Lighting Representative or visit www.cooperlighting.com for available options, accessories and ordering information.

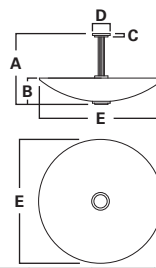
FEATURES

- Interior Pendant Luminous Shallow Bowl Luminaire
- Painted and plated cold-rolled steel, solid brass or aluminum
- Integral electronic HPF, multi-volt 120/277V (347V Canada-except 13W)
- Standard: Matte White; Premium: Contact factory for finishes
- Circle strap canopy or bar strap mounts to 4" J-box or plaster ring
- Optional cold-rolled steel, solid brass or stainless steel coming ring
- Available for MRI applications (INC only) - contact factory
- UL and CUL approved for interior and damp locations

Compliances may not apply to all product configurations. Please consult the product spec sheet for compliance details.
COMPLIANCES: UL/cUL Listed - Damp Location, ARRA Compliant



404-STANDARD



404 SERIES

Standard Sizes	A	B	C	D	E
28"	24"	6-1/4"	1-1/8"	6"	28"
[711mm]	[610mm]	[159mm]	[29mm]	[152mm]	[711mm]
36"	24"	7-3/4"	1-1/8"	6"	36"
[914mm]	[610mm]	[197mm]	[29mm]	[152mm]	[914mm]
42"	24"	8-7/8"	1-1/8"	6"	42"
[1067mm]	[610mm]	[225mm]	[29mm]	[152mm]	[1067mm]

ORDERING INFORMATION

SAMPLE NUMBER: 404-36-P1SAC-INC/6/75-120V-SCP-2TRB-FB-24

Series	Size	Mounting Type	Lamp
404=Luminous Shallow Bowl	28=28" 36=36" 42=42"	P1S =Pendant Single Stem P1SAC =Pendant Single Stem with Aircraft Cable P3S =Pendant Triple Stem PQPBP =Pendant Quad-Pod with Decorative Balls PSJCAC =Pendant Aircraft Cable with Clear SJ Cord	PSJWAC =Pendant Aircraft Cable with White SJ Cord PTPB =Pendant Tri-Pod with Decorative Balls PTSS2B =Pendant Triple Stem Suspended Double Bowl PTSS3B =Pendant Triple Stem Suspended Triple Bowl PTSS4B =Pendant Triple Stem Suspended Four Bowl
			28" CFL/4 (26/32W-Triple) CFL/4/13 INC/3/75
			36" CFL/4/27 CFL/4/42 CFL/8/27 INC/6/75
			42" CFL/4/39 CFL/4/42 CFL/8/39 CFL/8/42 INC/6/100
Voltage	Finish	Options	OA
120V 277V ¹ 347V ^{1,2}	Premium ALP=Aluminum Paint CC=Custom Color GNM=Gun Metal NA=Natural Aluminum OBRS=Oxidized Brass OCP=Oxidized Copper	PB =Polished Brass PC =Polished Chrome PCP =Polished Copper PN =Polished Nickel NA =Natural Aluminum SAL =Lacquered Satin Aluminum SB =Satin Brass SC =Satin Chrome SCP =Satin Copper SN =Satin Nickel Standard MW =Matte White	24"=24" ⁸
		2TBF =Double Trim Bars with Finial 2TRB =Two Trim Rings with Balls CT =Caming Trim DL =Damp Location ³ DMA10 =Dimming Ballast (Advance Mark 10) ⁴ DMA7 =Dimming Ballast (Advance Mark 7) ⁴	FB =Hand Painted Faux Alabaster Bowl IEM =Integral Emergency Ballast ⁵ LNB =Hand Painted Faux Linen Bowl REM =Remote Emergency Battery ^{5,1} SCA =Sloped Ceiling Adaptor ⁷ TR =Trim Ring

NOTES: 1. Available with CFL only. 2. 347V not available with 13W. 3. Interior applications only. 4. Available with CFL/4/26/32W (28"), CFL/4/42W (36" *AND* 42") and CFL/8/42W (42" without IEM option) only. 5. Not available in 28". 6. Supplied by others. 7. Not available with 1SAC, SJWAC or SJCAC. Specify up to 45°. 8. Or specify.

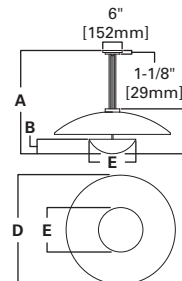
FEATURES

- Interior Pendant Luminous Shallow Bowl Luminaire
- Painted and plated cold-rolled steel or aluminum; white acrylic bowl
- Integral electronic HPF, multi-volt 120/277V (347V Canada)
- Standard: Matte White; Premium: Contact factory for finishes
- Universal circular strap for a standard 4" J-box or plaster ring
- Available with optional Perforated or Solid Upper Dome
- Available for MRI applications (INC only) - contact factory
- UL and CUL approved for interior and damp locations

Compliances may not apply to all product configurations. Please consult the product spec sheet for compliance details.
COMPLIANCES: UL/cUL Listed - Damp Location, ARRA Compliant



404-STANDARD



406 SERIES

Standard Sizes	A	B	C	D	E
28"	24"	4"	11"	28"	10"
[711mm]	[610mm]	[102mm]	[279mm]	[711mm]	[254mm]
36"	32"	4-1/2"	14"	36"	14-1/2"
[914mm]	[813mm]	[114mm]	[356mm]	[914mm]	[368mm]

ORDERING INFORMATION

SAMPLE NUMBER: 406-36-P3S-CFL/4/32-277V-NA-PUD-24

Series	Size	Mounting Type	Lamp	Voltage	Finish
406=Direct/Indirect Luminous Upper Dome	28=28" 36=36"	P1S =Pendant Single Stem P3S =Pendant Triple Stem PTSS2B =Pendant Triple Stem Suspended Double Bowl PTSS3B =Pendant Triple Stem Suspended Triple Bowl PTSS4B =Pendant Triple Stem Suspended Four Bowl	CFL/2 (26/32W-Triple) ¹ CFL/4 (26/32W-Triple) ² INC/2/75 ¹ INC/3/75 ²	120V 277V ³ 347V ³	Premium ALP=Aluminum Paint CC=Custom Color GNM=Gun Metal NA=Natural Aluminum OBRS=Oxidized Brass OCP=Oxidized Copper
					PB =Polished Brass ⁴ PC =Polished Chrome ⁴ PCP =Polished Copper ⁴ PN =Polished Nickel ⁴ NA =Natural Aluminum SAL =Lacquered Satin Aluminum SB =Satin Brass ⁴ SC =Satin Chrome ⁴ SCP =Satin Copper ⁴ SN =Satin Nickel ⁴ Standard MW =Matte White
Options	OA				
CT =Caming Trim ⁵ DL =Damp Location ⁶ PUD =Perforated Metal Upper Dome	REM =Remote Emergency Battery ^{7,3} SCA =Sloped Ceiling Adaptor ⁸ SUD =Solid Metal Upper Dome		24"=24" OA ⁹		

NOTES: 1. Available in 28". 2. Available in 36". 3. Available with CFL only. 4. Not available with Perforated bowl. 5. Luminous bowl only (CT is standard with Perforated bowl). 6. Interior applications only. 7. Supplied by others. 8. Specify up to 45°. 9. Or specify.



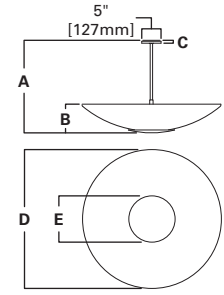
415 SERIES

FEATURES

- Interior Pendant Luminous Bowl with Accent Disc
- Painted and plated cold-rolled steel, solid brass or aluminum
- Integral electronic HPF, multi-volt 120/277V (347V Canada)
- Standard: Matte White; Premium: Contact factory for finishes
- Universal circular strap for a standard 4" J-box or plaster ring
- Available with optional Solid or Perforated metal bowl
- Available for MRI applications (INC only) - contact factory
- UL and CUL approved for interior and damp locations

Compliances may not apply to all product configurations. Please consult the product spec sheet for compliance details.

COMPLIANCES: UL/cUL Listed - Damp Location, ARRA Compliant



415-STANDARD

Standard Sizes	A	B	C	D	E
24"	24"	5"	3/4"	24"	10"
[610mm]	[610mm]	[127mm]	[19mm]	[610mm]	[254mm]
36"	24"	7-1/2"	3/4"	36"	12"
[914mm]	[610mm]	[191mm]	[19mm]	[914mm]	[305mm]

ORDERING INFORMATION

SAMPLE NUMBER: 415-24-P1SAC-CFL/4/26-ALP-CT-36

Series	Size	Mounting Type				Lamp	Voltage	
415=Luminous Bowl with Accent Disc	24=24" 36=36"	P1S=Pendant Single Stem P1SAC=Pendant Single Stem with Aircraft Cable P3S=Pendant Triple Stem PQPBP=Pendant Quad-Pod with Decorative Balls PSJCAC=Pendant Aircraft Cable with Clear SJ Cord	PSJWAC=Pendant Aircraft Cable with White SJ Cord PTPB=Pendant Tri-Pod with Decorative Balls PTSP2B=Pendant Triple Stem Perched Double Bowl PTSP3B=Pendant Triple Stem Perched Triple Bowl PTSP4B=Pendant Triple Stem Perched Four Bowl			CFL/4 (26/32W-Triple) ¹ CFL/4/39 ² CFL/4/42 ^{1,2}	CFL/8/39 ² CFL/8/42 ² INC/3/100 ² INC/3/75 ¹	120V 277V ³ 347V ³
Finish	Color		Pattern ⁶	Options	OA			
Premium ALP=Aluminum Paint CC=Custom Color GNM=Gun Metal NA=Natural Aluminum OBRS=Oxidized Brass OCP=Oxidized Copper PB=Polished Brass ⁴ PC=Polished Chrome ⁴ PCP=Polished Copper ⁴	PN=Polished Nickel ⁴ SAL=Lacquered Satin Aluminum SB=Satin Brass ⁴ SC=Satin Chrome ⁴ SCP=Satin Copper ⁴ SN=Satin Nickel ⁴ Standard MW=Matte White	Custom Decorative Metals⁵ BPL=Black Pearl BRS=Brass CBT=Cabernet CLE=Chocolate CLR=Clear	CMP=Champagne CPR=Copper IDO=Indigo PWR=Pewter RBE=Royal Blue SGE=Sage SGN=Slate Green SPE=Sapphire	COL=Coral SHL=Seashell SMT=Smooth CT=Caming Trim ⁷ DL=Damp Location ⁸ DMA10=Dimming Ballast (Advance Mark 10) ⁹ DMA7=Dimming Ballast (Advance Mark 7) ⁹ DML=Dimming Ballast (Lutron) ⁹ FB=Hand Painted Faux Alabaster Bowl ⁷ IEM=Integral Emergency Ballast ^{2,3} LNB=Hand Painted Faux Linen Bowl ⁷ PFD=Perforated Metal Bowl REM=Remote Emergency Battery ^{10,3} SBD=Solid Metal Bowl SCA=Sloped Ceiling Adaptor ¹¹ TR=Trim Ring	24"=24" OA ¹²			

NOTES: 1. Available in 24". 2. Available in 36". 3. Available with CFL only. 4. Not available with Perforated bowl. 5. Select a standard or premium finish for all components of the fixture (except shroud). Example: (SGE Sage color) - SHL (Seashell pattern) for the shroud and NA (Natural Aluminum) for all other components of the fixture. 6. Available with Custom Decorative Metal Finish only. 7. Luminous bowl only (CT is standard with Perforated bowl). 8. Interior applications only. 9. Available with CFL/4/26 or 32W (24"), CFL/4/39 or 42W (36") and CFL/8/42W (36" without IEM option). 10. Supplied by others. 11. Not available with 1SAC, SJWAC or SJCAC. Specify up to 45". 12. Or specify.

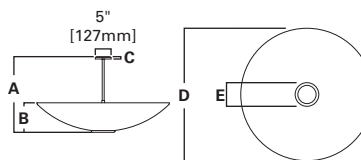
FEATURES

- Interior Pendant Luminous Bowl with Downlight
- Painted and plated cold-rolled steel, solid brass or aluminum
- Integral electronic HPF, multi-volt 120/277V (347V Canada-except 13W)
- Standard: Matte White; Premium: Contact factory for finishes
- Universal circular strap for a standard 4" J-box or plaster ring
- Available with optional Solid or Perforated metal bowl
- Available for MRI applications (INC only) - contact factory
- UL and CUL approved for interior and damp locations

Compliances may not apply to all product configurations. Please consult the product spec sheet for compliance details.
COMPLIANCES: UL/cUL Listed - Damp Location, ARRA Compliant



415-D-LB STANDARD



Standard Sizes	A	B	C	D	E
24"	24"	5-7/8"	3/4"	24"	5-3/4"
[610mm]	[610mm]	[149mm]	[19mm]	[610mm]	[146mm]
36"	24"	8-3/8"	3/4"	36"	7-1/2"
[914mm]	[610mm]	[213mm]	[19mm]	[914mm]	[191mm]
42"	24"	9-3/8"	3/4"	42"	7-1/2"
[1067mm]	[610mm]	[238mm]	[19mm]	[1067mm]	[191mm]



415D SERIES

ORDERING INFORMATION

SAMPLE NUMBER: 415D-24-P1SAC-CFL/4/26/CFL/1/13-277V-SCP-24

Series	Size	Mounting Type	Lamp	Downlight Lamp	
415D=Luminous Bowl with Integral Downlight	24=24" 36=36" 42=42"	P1S =Pendant Single Stem P1SAC =Pendant Single Stem with Aircraft Cable P3S =Pendant Triple Stem PQPB =Pendant Quad-Pod with Decorative Balls PSJCAC =Pendant Aircraft Cable with Clear SJ Cord	PSJWAC =Pendant Aircraft Cable with White SJ Cord PTPB =Pendant Tri-Pod with Decorative Balls PTSS2B =Pendant Triple Stem Suspended Double Bowl PTSS3B =Pendant Triple Stem Suspended Triple Bowl PTSS4B =Pendant Triple Stem Suspended Four Bowl	CFL/4 (26/32W-Triple) ¹ CFL/4/13 ¹ CFL/4/27 ² CFL/4/39 ³ CFL/4/42 ^{3,2} INC/3/75 ¹ INC/6/100 ³ INC/6/75 ²	CFL/1/13 ¹ CFL/1/26 ² CFL/1/32 ³ PAR20H/1/50 ¹ PAR30H/1/75 ^{3,2}
Voltage	Finish	Color	Pattern ⁹	Options	OA
120V 277V ⁴ 347V ^{4,5}	Premium ALP =Aluminum Paint CC =Custom Color GNM =Gun Metal NA =Natural Aluminum OBRS =Oxidized Brass OCP =Oxidized Copper PB =Polished Brass ^{6,7} PC =Polished Chrome ^{6,7}	PCP =Polished Copper ^{6,7} PN =Polished Nickel ^{6,7} SAL =Lacquered Satin Aluminum SB =Satin Brass ⁶ SC =Satin Chrome ⁶ SCP =Satin Copper ⁶ SN =Satin Nickel ⁶ Standard MW =Matte White	COL =Coral SHL =Seashell SMT =Smooth	CT =Caming Trim ¹⁰ DL =Damp Location ¹¹ DMA10 =Dimming Ballast (Advance Mark 10) ^{12,13} DMA7 =Dimming Ballast (Advance Mark 7) ^{12,13,14} DML =Dimming Ballast (Lutron) ^{12,13} FB =Hand Painted Faux Alabaster Bowl ¹⁰ IEM =Integral Emergency Ballast ^{3,2,4,15} LNB =Hand Painted Faux Linen Bowl ¹⁰ PFC =Perforated Metal Bowl REM =Remote Emergency Battery ^{16,4} SCA =Sloped Ceiling Adaptor ¹⁷ SMB =Solid Metal Bowl	24"=24" OA ¹⁸

NOTES: 1. Available in 24". 2. Available in 36". 3. Available in 42". 4. Available with CFL only. 5. Not available in 13W. 6. Not available with Perforated bowl. 7. Not available in 42" Perforated or Solid Metal bowl. 8. Select a standard or premium finish for all components of the fixture (except shroud). Example: (SGE Sage color) - SHL (Seashell pattern) for the shroud and NA (Natural Aluminum) for all other components of the fixture. 9. Available with Custom Decorative Metal Finish only. 10. Luminous bowl only (CT is standard with Perforated bowl). 11. Interior applications only. 12. Not available with 13W and 27W lamping. 13. Available in 42W lamping only (36" *AND* 42"). 14. Available in 26/32W lamping only (24"). 15. Not available with dimming ballast option. 16. Supplied by others. 17. Specify up to 45". 18. Or specify.

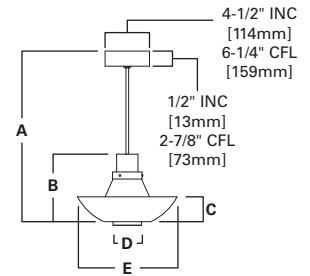


417 SERIES

FEATURES

- Interior Pendant Direct/Indirect Luminous Bowl Luminaire
- Solid aluminum materials; matte white acrylic diffuser
- Integral electronic HPF, multi-volt 120/277V (347V Canada)
- Standard: Natural Aluminum; Premium: Contact factory for finishes
- Universal circular strap for a standard 4" J-box or plaster ring
- Optional Hand-painted Faux Alabaster or Faux Linen diffuser
- Available for MRI applications (INC only) - contact factory
- UL and CUL approved for interior and damp locations

Compliances may not apply to all product configurations. Please consult the product spec sheet for compliance details.
COMPLIANCES: UL/cUL Listed - Damp Location, ARRA Compliant



417-STANDARD

Standard Sizes	A	B	C	D	E
INC	24" [610mm]	9-1/2" [241mm]	3-1/2" [89mm]	4" [102mm]	14" [356mm]
CFL	24" [610mm]	9-1/2" [241mm]	3-1/2" [89mm]	4" [102mm]	14" [356mm]

ORDERING INFORMATION

SAMPLE NUMBER: 417-PWSJ-CFL/1/42-120V-PCP-24

Series	Mounting Type	Lamp	Voltage	Finish		
417=Direct/Indirect Luminous Bowl	P1S=Pendant Single Stem PCSJ=Pendant Clear SJ Cord PSSS2B=Pendant Single Stem Suspended Double Bowl PSSS3B=Pendant Single Stem Suspended Triple Bowl PSSS4B=Pendant Single Stem Suspended Four Bowl PWSJ=Pendant White SJ Cord	CFL/1 (26/32W-Triple) CFL/1/42 INC/1/100 PAR20H/1/50	120V 277V ¹ 347V ¹	Premium ALP=Aluminum Paint CC=Custom Color GNM=Gun Metal MW=Matte White OBRS=Oxidized Brass OCP=Oxidized Copper	PB=Polished Brass PC=Polished Chrome PCP=Polished Copper PN=Polished Nickel SAL=Lacquered Satin Aluminum SB=Satin Brass	SC=Satin Chrome SCP=Satin Copper SN=Satin Nickel Standard NA=Natural Aluminum
Options					OA	
DL=Damp Location ² DML=Dimming Ballast (Lutron) ³ FD=Hand Painted Faux Alabaster Diffuser		LND=Hand Painted Faux Linen Diffuser REM=Remote Emergency Battery ^{4,5} SCA=Sloped Ceiling Adaptor ⁵		24"=24" OA ⁶		

NOTES: 1. Available with CFL only. 2. Interior applications only. 3. Available with CFL/2/26 or 32W only (with 36" maximum OA). 4. Supplied by others. 5. For stem mounting only. Specify up to 45". 6. Or specify.

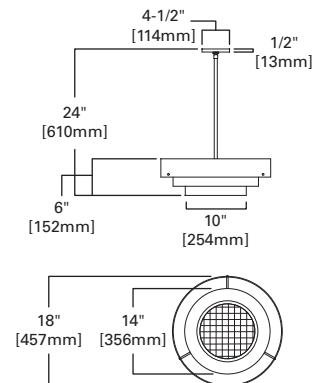


420 SERIES

FEATURES

- Interior Pendant Art-Deco Ring Baffle Luminaire
- Solid aluminum materials
- Integral electronic HPF, multi-volt 120/277V (347V Canada)
- Standard: Natural Aluminum; Premium: Contact factory for finishes
- Universal circular strap for a standard 4" J-box or plaster ring
- Standard cube cell louver; Optional Matte White Acrylic Lens
- Available for MRI applications (INC only) - contact factory
- UL and CUL approved for interior and damp locations

Compliances may not apply to all product configurations. Please consult the product spec sheet for compliance details.
COMPLIANCES: UL/cUL Listed - Damp Location, ARRA Compliant



420 STANDARD

ORDERING INFORMATION

SAMPLE NUMBER: 420-PSJCAC-INC/3/150-120V-PN-24

Series	Mounting Type	Lamp	Voltage	Finish		
420=Art Deco Ringed	P1S=Pendant Single Stem PSJCAC=Pendant Aircraft Cable with Clear SJ Cord PSJWAC=Pendant Aircraft Cable with White SJ Cord PSSS2B=Pendant Single Stem Suspended Double Bowl PSSS3B=Pendant Single Stem Suspended Triple Bowl PSSS4B=Pendant Single Stem Suspended Four Bowl	CFL/4 (26/32W-Triple) CFL/4/42 INC/3/150	120V 277V ¹ 347V ¹	Premium ALP=Aluminum Paint CC=Custom Color GNM=Gun Metal MW=Matte White OBRS=Oxidized Brass OCP=Oxidized Copper	PB=Polished Brass PC=Polished Chrome PCP=Polished Copper PN=Polished Nickel SAL=Lacquered Satin Aluminum SB=Satin Brass	SC=Satin Chrome SCP=Satin Copper SN=Satin Nickel Standard NA=Natural Aluminum
Options					OA	
AL=Matte White Acrylic Lens DL=Damp Location ² DMA10=Dimming Ballast (Advance Mark 10) ¹ DMA7=Dimming Ballast (Advance Mark 7) ¹		DML=Dimming Ballast (Lutron) ¹ REM=Remote Emergency Battery ³ SCA=Sloped Ceiling Adaptor ⁴		24"=24" OA ⁵		

NOTES: 1. Available with CFL only. 2. Interior applications only. 3. Supplied by others. 4. For stem mounting only. Specify up to 45". 5. Or specify.

FEATURES

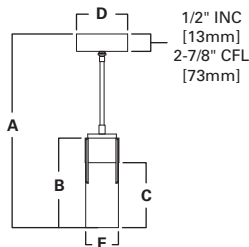
- Interior Pendant Luminous Cylinder with Trim Bars Luminaire
- Solid brass or aluminum housing, three accent decorative trim bars
- Integral electronic HPF, multi-volt 120/277V (347V Canada)
- Standard: Natural Aluminum; Premium: Contact factory for finishes
- Universal circular strap for a standard 4" J-box or plaster ring
- Matte white acrylic 4" diameter luminous cylinder
- Available for MRI applications (INC only) - contact factory
- UL and CUL approved for interior and damp locations

Compliances may not apply to all product configurations. Please consult the product spec sheet for compliance details.

COMPLIANCES: UL/cUL Listed - Damp Location, ARRA Compliant



422-STANDARD



422 SERIES

Standard Sizes	A	B	C	D	E
INC	24" [610mm]	10-15/16" [278mm]	7-15/16" [202mm]	4-1/2" [114mm]	4" [102mm]
CFL	24" [610mm]	10-15/16" [278mm]	7-15/16" [202mm]	6-1/4" [159mm]	4" [102mm]

ORDERING INFORMATION

SAMPLE NUMBER: 422-P1S-CFL/1/18-277V-OCP-LNC-24

Series	Mounting Type	Lamp	Voltage	Finish	Options	OA ⁵	
422=Luminous Cylinder with Trim Bars	P1S=Pendant Single Stem	CFL/1/18 CFL/1/26 INC/1/40	120V 277V ¹ 347V ¹	Premium ALP=Aluminum Paint CC=Custom Color GNM=Gun Metal MW=Matte White OBRS=Oxidized Brass OCP=Oxidized Copper PB=Polished Brass PC=Polished Chrome PCP=Polished Copper Standard NA=Natural Aluminum	PN=Polished Nickel SAL=Lacquered Satin Aluminum SB=Satin Brass SC=Satin Chrome SCP=Satin Copper SN=Satin Nickel Standard NA=Natural Aluminum	DL=Damp Location ² DML=Dimming Ballast (Lutron) ³ FC=Hand Painted Faux Alabaster Cylinder LNC=Hand Painted Faux Linen Cylinder REM=Remote Emergency Battery ⁴	24"=24" OA ⁵

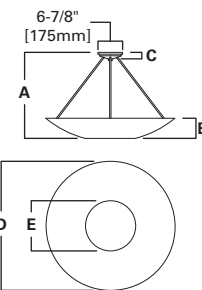
NOTES: 1. Available with CFL only. 2. Interior applications only. 3. Available with 36" maximum OA only. 4. Supplied by others. 5. Or specify.

FEATURES

- Interior Pendant Direct/Indirect Solid Bowl with Illuminated Baffle
- Painted and plated cold-rolled steel with acrylic baffle rings
- Integral electronic HPF, multi-volt 120/277V (347V Canada)
- Standard: Matte White; Premium: Contact factory for finishes
- Universal circular strap for a standard 4" J-box or plaster ring
- Available for MRI applications (INC only) - contact factory
- UL and CUL approved for interior and damp locations

Compliances may not apply to all product configurations. Please consult the product spec sheet for compliance details.

COMPLIANCES: UL/cUL Listed - Damp Location, ARRA Compliant



429 SERIES

Standard Sizes	A	B	C	D	E
28"	24" [610mm]	5" [127mm]	1-3/4" [44mm]	28" [711mm]	10" [254mm]
36"	24" [610mm]	6-1/2" [165mm]	1-3/4" [44mm]	36" [914mm]	14" [356mm]

ORDERING INFORMATION

SAMPLE NUMBER: 429-28-PSJWAC-INC/6/60-120V-SC-24

Series	Size	Mounting Type	Lamp	Voltage	Finish	Options	OA ⁹
429=Solid Baffle with Illuminated Baffle	28=28" 36=36"	PCSS2B=Pendant Cantilever Single Stem Double Bowl PCSS3B=Pendant Cantilever Single Stem Triple Bowl PCSS4B=Pendant Cantilever Single Stem Four Bowl PQP=Pendant Quad-Pod PSJCAC=Pendant Aircraft Cable with Clear SJ Cord PSJWAC=Pendant Aircraft Cable with White SJ Cord PTP=Pendant Tri-Pod	CFL/6 (26/32W-Triple) ¹ CFL/8/32 ² CFL/8/42 ² INC/6/60 ¹ INC/8/60 ²	120V 277V ³ 347V ³	Premium ALP=Aluminum Paint CC=Custom Color GNM=Gun Metal NA=Natural Aluminum OBRS=Oxidized Brass OCP=Oxidized Copper Standard MW=Matte White	PB=Polished Brass PC=Polished Chrome PCP=Polished Copper PN=Polished Nickel SAL=Lacquered Satin Aluminum SB=Satin Brass SC=Satin Chrome SCP=Satin Copper SN=Satin Nickel	24"=24" OA ⁹
Color	Pattern ⁵	Options	OA ⁹				
Custom Decorative Metals⁴ BPL=Black Pearl BRS=Brass CBT=Cabernet CLE=Chocolate CLR=Clear CMP=Champagne	CPR=Copper IDO=Indigo PWR=Pewter RBE=Royal Blue SGE=Sage SGN=Slate Green SPE=Sapphire	COL=Coral SHL=Seashell SMT=Smooth	DL=Damp Location ⁵ DMA10=Dimming Ballast (Advance Mark 10) ³ DMA7=Dimming Ballast (Advance Mark 7) ³ DML=Dimming Ballast (Lutron) ⁵ REM=Remote Emergency Battery ⁷ SCA=Sloped Ceiling Adaptor ⁸	24"=24" OA ⁹			

NOTES: 1. Available in 28". 2. Available in 36". 3. Available with CFL only. 4. Select a standard or premium finish for the stem (s) and canopy. Example: SGE (Sage color) - SMT (Smooth pattern) for solid bowl - SC (Satin Chrome) for the stem(s) and canopy. 5. Available with Custom Decorative Metal Finish only. 6. Interior applications only. 7. Supplied by others (not available with SJ Cord mounting). 8. Specify up to 45°. 9. Or specify.

Specifications and dimensions subject to change without notice. Consult your Cooper Lighting Representative or visit www.cooperlighting.com for available options, accessories and ordering information.

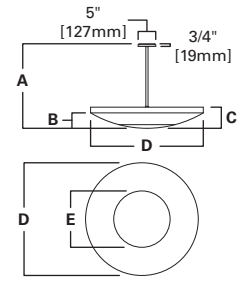


FEATURES

- Interior Pendant Direct/indirect Bowl Luminaire
- Painted and plated cold-rolled steel, matte white acrylic flush bowl
- Integral electronic HPF, multi-volt 120/277V (347V Canada)
- Standard: Matte White; Premium: Contact factory for finishes
- Universal circular strap for a standard 4" J-box or plaster ring
- Optional Hand-painted Faux Alabaster or Faux Linen diffuser
- Refer to shaperlighting.com for complete photometrics
- Available for MRI applications (INC only) - contact factory
- UL and CUL approved for interior and damp locations

Compliances may not apply to all product configurations. Please consult the product spec sheet for compliance details.
COMPLIANCES: UL/cUL Listed - Damp Location, ARRA Compliant

432-STANDARD



Standard Sizes	A	B	C	D	E
24"	24"	3-3/8"	4-3/4"	24"	16"
[610mm]	[610mm]	[86mm]	[95mm]	[610mm]	[406mm]
32"	24"	4-3/8"	6"	32"	16"
[813mm]	[610mm]	[111mm]	[152mm]	[813mm]	[406mm]

432 SERIES



ORDERING INFORMATION

SAMPLE NUMBER: 432-24-P3S-CFL/4/32-277V-SAL-CBT/COL-24

Series	Size	Mounting Type	Lamp	Voltage	Finish
432=Direct/Indirect Bowl	24=24" 32=32"	P1S=Pendant Single Stem P1SAC=Pendant Single Stem with Aircraft Cable P3S=Pendant Triple Stem PQP=Pendant Quad Pod PSJAC=Pendant Aircraft Cable with Clear SJ Cord PSJWAC=Pendant Aircraft Cable with White SJ Cord PTSS2B=Pendant Triple Stem Suspended Double Bowl PTSS3B=Pendant Triple Stem Suspended Triple Bowl PTSS4B=Pendant Triple Stem Suspended Four Bowl	CFL/2/50 ¹ CFL/4 (26/32W-Triple) ² CFL/4/39 ¹ CFL/4/42 ^{2,1} INC/3/100 ² INC/6/100 ¹	120V 277V ³ 347V ³	Premium ALP=Aluminum Paint CC=Custom Color GNM=Gun Metal NA=Natural Aluminum OBRS=Oxidized Brass OCP=Oxidized Copper PB=Polished Brass PC=Polished Chrome PCP=Polished Copper PN =Polished Nickel SAL =Lacquered Satin Aluminum SB =Satin Brass SC =Satin Chrome SCP =Satin Copper SN =Satin Nickel Standard MW=Matte White
Color	Pattern ⁵	Options	OA		
Custom Decorative Metals⁴ BPL=Black Pearl BRS=Brass CBT=Cabernet CLE=Chocolate CLR=Clear CMP=Champagne	CPR=Copper IDO=Indigo PWR=Pewter RBE=Royal Blue SGE=Sage SGN=Slate Green SPE=Sapphire	DL=Damp Location ⁶ DML=Dimming Ballast (Lutron) ⁷ FB=Hand Painted Faux Alabaster Bowl IEM=Integral Emergency Ballast ^{8,1} LNB=Hand Painted Faux Linen Bowl REM=Remote Emergency Battery ⁹ SCA=Sloped Ceiling Adaptor ¹⁰	24"=24" OA ^{11,12}		

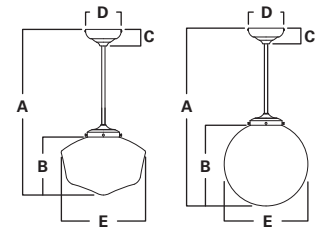
NOTES: 1. Available in 32". 2. Available in 24". 3. Available with CFL only. 4. Select a standard or premium finish for the stem (s) and canopy. Example: SGE (Sage color) - SMT (Smooth pattern) for bowl trim - SC (Satin Chrome) for the stem (s) and canopy. 5. Available with Custom Decorative Metal Finish only. 6. Interior applications only. 7. Available in CFL/2/50W lamping only (32"). 8. Not available with dimming ballast option. 9. Supplied by others (not available with SJ Cord mounting). 10. Specify up to 45°. 11. Or specify. 12. Mark 7® is a registered trademark of Phillips Advance.



FEATURES

- Interior Pendant Schoolhouse or Sphere Globe Luminaire
- Cold-rolled steel or solid brass; white opal glass
- Integral electronic HPF, multi-volt 120/277V (347V Canada)
- Standard: Matte White; Premium: Contact factory for finishes
- Universal circular strap for a standard 4" J-box or plaster ring
- Available in two globe sizes
- UL and CUL approved for interior and damp locations

Compliances may not apply to all product configurations. Please consult the product spec sheet for compliance details.
COMPLIANCES: UL/cUL Listed - Damp Location, ARRA Compliant



434-SH-STANDARD 434-SP-STANDARD

Standard Sizes	A	B	C	D	E
14" SH	30"	8-1/2"	3"	6-3/4"	14"
[356mm]	[762mm]	[216mm]	[76mm]	[171mm]	[356mm]
16" SH	30"	10-1/2"	3"	6-3/4"	16"
[406mm]	[762mm]	[267mm]	[76mm]	[171mm]	[406mm]
14" SP	34"	13-3/8"	3"	6-3/4"	14"
[356mm]	[864mm]	[340mm]	[76mm]	[171mm]	[356mm]
16" SP	34"	15-1/2"	3"	6-3/4"	16"
[406mm]	[864mm]	[394mm]	[76mm]	[171mm]	[406mm]

434 SERIES



ORDERING INFORMATION

SAMPLE NUMBER: 434SP-16-P1S-CFL/1/32-277V-PCP-30

Series	Size	Mounting Type	Lamp	Voltage	Finish	Options	OA	
434SH=School House Glass Pendant 434SP=Sphere Glass Pendant	14=14" 16=16"	P1S=Pendant Single Stem PTSS2B=Pendant Triple Stem Suspended Double Bowl	CFL/1 (26/32W-Triple) CFL/1/42 CFL/2 (26/32W-Triple) CFL/2/42 ¹ INC/1/100 ² INC/1/150 ¹	120V 277V ³ 347V ³	Premium ALP=Aluminum Paint CC=Custom Color GNM=Gun Metal OBRS=Oxidized Brass OCP=Oxidized Copper PB=Polished Brass PC=Polished Chrome PCP=Polished Copper	PN =Polished Nickel SB =Satin Brass SC =Satin Chrome SCP =Satin Copper SN =Satin Nickel Standard MW=Matte White	DL =Damp Location ⁴ DML =Dimming Ballast (Lutron) ⁵ REM =Remote Emergency Battery ⁶ SCA =Sloped Ceiling Adaptor ⁷	30" (OA)=SH ⁸ 34" (OA)=SP ⁸

NOTES: 1. Available in 16". 2. Available in 14". 3. Available with CFL only. 4. Interior applications only. 5. Available with CFL/1/26W, 32W *AND* 42W only (with 36" maximum OA). 6. Supplied by others. 7. Specify up to 45°. 8. Or specify.

Specifications and dimensions subject to change without notice. Consult your Cooper Lighting Representative or visit www.cooperlighting.com for available options, accessories and ordering information.

FEATURES

- Interior Pendant Craftsman Luminous Flared Square Luminaire
- Painted and plated cold-rolled steel, aluminum, brass or solid bronze
- Integral electronic HPF, multi-volt 120/277V (347V Canada)
- Standard: Matte White; Premium: Contact factory for finishes
- Universal circular strap for a standard 4" J-box or plaster ring
- Matte white acrylic panels and trim; 1/2" Aluminum cube louver
- Available for MRI applications (INC only) - contact factory
- UL and CUL approved for interior and damp locations

Compliances may not apply to all product configurations. Please consult the product spec sheet for compliance details.

COMPLIANCES: UL/cUL Listed - Damp Location, ARRA Compliant



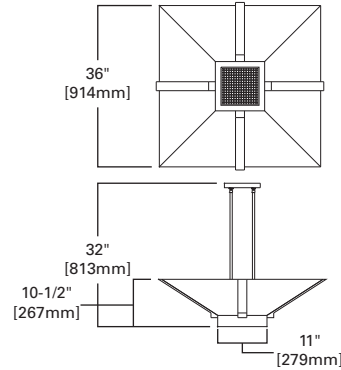
ORDERING INFORMATION

SAMPLE NUMBER: 440-P4S-CFL/4/40/PARH/1/150-120V-ALP-FP-32

Series	Mounting Type	Lamp	Voltage	Downlight Lamp Options ³	Finish	Options	
440="Craftsman" Luminous Flared Square	P4S=Pendant Four Stem	CFL/4/39 CFL/4/42 CFL/8/39 INC/4/75	120V 277V ¹ 347V ²	PARH/1/150 ⁴ PARMH/1/100 PARMH/1/39 PARMH/1/70	Premium ALP=Aluminum Paint CC=Custom Color GNM=Gun Metal NA=Natural Aluminum OBRS=Oxidized Brass	OCP=Oxidized Copper PB=Polished Brass PC=Polished Chrome PCP=Polished Copper SAL=Lacquered Satin Aluminum	SB=Satin Brass SC=Satin Chrome SCP=Satin Copper SN=Satin Nickel Standard MW=Matte White
Options					OA		
AL=Matte White Acrylic Lens ⁵ DL=Damp Location ⁶ DMA10=Dimming Ballast (Advance Mark 10) ⁷ DMA7=Dimming Ballast (Advance Mark 7) ⁷ DML=Dimming Ballast (Lutron) ⁷			FP=Hand Painted Faux Alabaster Panels IEM=Integral Emergency Ballast ⁸ LNP=Hand Painted Faux Linen Panels SCA=Sloped Ceiling Adaptor ⁹		32"=32" OA or specify ¹⁰		

NOTES: 1. Available with CFL *AND* MH only. 2. Available with CFL only. 3. Leave blank is downlight is not specified. 4. Available with 120V only. 5. Not available with downlight. 6. Interior applications only. 7. Available with CFL/4/42W lamping only. 8. Available with PAR DL only. 9. Specify up to 45°. 10. Or specify.

440-STANDARD



440 SERIES

FEATURES

- Interior Pendant Retro Luminous Globe Luminaire
- Solid aluminum materials; Standard white opal glass or acrylic globe
- Integral electronic HPF, multi-volt 120/277V (347V Canada)
- Standard: Natural Aluminum; Premium: Contact factory for finishes
- Universal circular strap for a standard 4" J-box or plaster ring
- Matte White Acrylic Globe available with solid or open bottom
- Available for MRI applications (INC only) - contact factory
- UL and CUL approved for interior and damp locations

Compliances may not apply to all product configurations. Please consult the product spec sheet for compliance details.

COMPLIANCES: UL/cUL Listed - Damp Location, ARRA Compliant



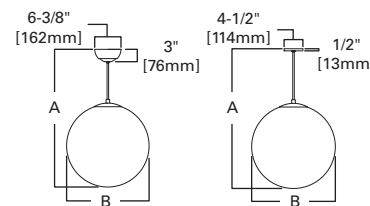
ORDERING INFORMATION

SAMPLE NUMBER: 441GG-14-P1S-INC/1/100-120V-PCP-30

Series	Size	Mounting Type	Lamp	Voltage	Finish	Options		OA
441AG=Retro Luminous Acrylic Globe 441GG=Retro Luminous Glass Globe ¹	12=12" 14=14" 16=16" 20=20"	P1S=Pendant Single Stem PCSJ=Pendant Clear SJ Cord ² PWSJ=Pendant White SJ Cord ²	CFL/1 (26/32W-Triple) CFL/1/42 ^{3,4} INC/1/100 ^{3,5} INC/1/150 ⁴ INC/1/75 ⁵	120V 277V ⁷ 347V ⁷	Premium ALP=Aluminum Paint CC=Custom Color GNM=Gun Metal MW=Matte White OBRS=Oxidized Brass OCP=Oxidized Copper PB=Polished Brass PC=Polished Chrome PCP=Polished Copper	PN=Polished Nickel SAL=Satin Aluminum SB=Satin Brass SC=Satin Chrome SCP=Satin Copper SN=Satin Nickel Standard NA=Natural Aluminum	DL=Damp Location ⁸ OB=Open Bottom ² REM=Remote Emergency Battery ⁹ SCA=Sloped Ceiling Adaptor ^{10,11}	24" OA=12" Diameter Globe ¹² 30" OA=14" Diameter Globe ¹² 32" OA=16" Diameter Globe ¹² 34" OA=20" Diameter Globe ¹²

NOTES: 1. Not available in 20" diameter. 2. Acrylic Globe (AG) only. 3. Available in 16". 4. Available in 20". 5. Available in 14". 6. Available in 12". 7. Available with CFL only. 8. Interior applications only. 9. Supplied by others (not available with SJ Cord mounting). 10. Specify up to 45°. 11. Single Stem (1S) mounting only. 12. Or specify.

441-ACRYLIC GLOBE (AG) CFL STANDARD 441-ACRYLIC GLOBE (AG) INC STANDARD



Standard Sizes	A	B
12" [305mm]	24" [610mm]	12" [305mm]
14" [356mm]	30" [762mm]	14" [356mm]
16" [406mm]	32" [813mm]	16" [406mm]
20" [508mm]	34" [864mm]	20" [508mm]



441 SERIES



444 SERIES

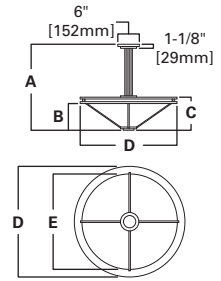
FEATURES

- Interior Pendant Conical with Architectural Trim Luminaire
- Painted and plated cold-rolled steel with matte white acrylic bowl
- Integral electronic HPF, multi-volt 120/277V (347V Canada)
- Standard: Matte White; Premium: Contact factory for finishes
- Universal circular strap for a standard 4" J-box or plaster ring
- Optional Hand-painted Faux Alabaster or Faux Linen diffuser
- Available for MRI applications (INC only) - contact factory
- UL and CUL approved for interior and damp locations

Compliances may not apply to all product configurations. Please consult the product spec sheet for compliance details.
COMPLIANCES: UL/cUL Listed - Damp Location, ARRA Compliant



444-STANDARD



Standard Sizes	A	B	C	D	E
27" [686mm]	24" [610mm]	7-1/2" [191mm]	9-1/4" [235mm]	27" [686mm]	23-1/4" [591mm]
34" [864mm]	36" [914mm]	9-7/8" [251mm]	11-5/8" [295mm]	33-1/2" [851mm]	29-5/8" [752mm]

ORDERING INFORMATION

SAMPLE NUMBER: 444-27-PTSP2B-CFL/4/32-120V-GNM-LNB-28

Series	Size	Mounting Type	Lamp	Voltage	Finish
444=Conical with Decorative Trim	27=27" 34=34"	P1S=Pendant Single Stem P1SAC=Pendant Single Stem with Aircraft Cable P3S=Pendant Triple Stem PSJCAC=Pendant Aircraft Cable with Clear SJ Cord PSJWAC=Pendant Aircraft Cable with White SJ Cord PTSP2B=Pendant Triple Stem Perched Double Bowl PTSP3B=Pendant Triple Stem Perched Triple Bowl PTSP4B=Pendant Triple Stem Perched Four Bowl	CFL/4 (26/32W-Triple) CFL/4/42 INC/3/100 ¹ INC/3/150 ²	120V 277V ³ 347V ³	Premium ALP=Aluminum Paint CC=Custom Color PN=Polished Nickel ⁴ GNM=Gun Metal OBRS=Oxidized Brass OCP=Oxidized Copper PB=Polished Brass ⁴
					PC=Polished Chrome ⁴ PCP=Polished Copper SC=Satin Chrome SCP=Satin Copper SN=Satin Nickel SAL=Lacquered Satin Aluminum SB=Satin Brass Standard MW=Matte White
Options				OA	
DL=Damp Location ⁵ DMA10=Dimming Ballast (Advance Mark 10) ³ DMA7=Dimming Ballast (Advance Mark 7) ³ DML=Dimming Ballast (Lutron) ³ FB=Hand Painted Faux Alabaster Bowl		IEM=Integral Emergency Ballast ² LNB=Hand Painted Faux Linen Bowl REM=Remote Emergency Battery ⁶ SCA=Sloped Ceiling Adaptor ⁷ TC=Matte White Acrylic Top Cover		24" (OA)=27" Diameter ⁸ 36" (OA)=34" Diameter ⁸	

NOTES: 1. Available in 27". 2. Available in 34". 3. Available with CFL only. 4. For polished finishes the bottom inside edge of the ring is satin to prevent upper ring reflections. 5. Interior applications only. 6. Supplied by others (not available with SJ Cord mounting). 7. Specify up to 45°. 8. Or specify.



449 SERIES

FEATURES

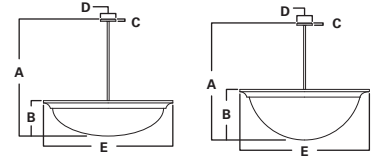
- Interior Pendant Direct/Indirect Bowl with Traditional Trim Luminaire
- Painted and plated cold-rolled steel; Elliptical (EL) or Deep Bowl
- Integral electronic HPF, multi-volt 120/277V (347V Canada)
- Standard: Matte White; Premium: Contact factory for finishes
- Universal circular strap for a standard 4" J-box or plaster ring
- Optional Hand-Painted Faux Alabaster or Faux Linen bowl
- Available for MRI applications (INC only) - contact factory
- UL and CUL approved for interior and damp locations

Compliances may not apply to all product configurations. Please consult the product spec sheet for compliance details.
COMPLIANCES: UL/cUL Listed - Damp Location, ARRA Compliant



449-ELLIPTICAL BOWL

449-DEEP BOWL



Standard Sizes	A	B	C	D	E
24" EB [610mm]	24" [610mm]	7" [178mm]	3/4" [19mm]	5" [127mm]	24" [610mm]
36" EB [914mm]	32" [813mm]	10" [254mm]	3/4" [19mm]	5" [127mm]	36" [914mm]
42" EB [1067mm]	38" [965mm]	11-1/2" [292mm]	3/4" [19mm]	5" [127mm]	42" [1067mm]
24" DB [610mm]	24" [610mm]	10" [254mm]	3/4" [19mm]	5" [127mm]	24" [610mm]
36" DB [914mm]	32" [813mm]	14" [356mm]	3/4" [19mm]	5" [127mm]	36" [914mm]
42" DB [1067mm]	38" [965mm]	16-1/2" [419mm]	3/4" [19mm]	5" [127mm]	42" [1067mm]

ORDERING INFORMATION

SAMPLE NUMBER: 449DB-42-PSJCAC-CFL/6/40-277V-SC-WTC-40

Series	Size	Mounting Type	Lamp	Voltage	
449DB=Deep Bowl with Traditional Trim	24=24" 36=36" 42=42"	P1S=Pendant Single Stem P1SAC=Pendant Single Stem with Aircraft Cable P3S=Pendant Triple Stem POP=Pendant Quad Pod PSJCAC=Pendant Aircraft Cable with Clear SJ Cord	PSJWAC=Pendant Aircraft Cable with White SJ Cord PTP=Pendant Tri-Pod PTSP2B=Pendant Triple Stem Perched Double Bowl PTSP3B=Pendant Triple Stem Perched Triple Bowl PTSP4B=Pendant Triple Stem Perched Four Bowl	CFL/4 (26/32W-Triple) ¹ CFL/4/27 ² CFL/4/40 ³ CFL/4/42 ³ CFL/4/50 ³ CFL/6/39 ²	CFL/6/40 ³ CFL/6/50 ³ CFL/8/42 ³ INC/3/100 ¹ INC/6/100 ² INC/6/150 ³
449EL=Elliptical Bowl with Traditional Trim				120V 277V ⁴ 347V ⁴	
Finish			Options		
Premium ALP=Aluminum Paint CC=Custom Color GNM=Gun Metal OBRS=Oxidized Brass OCP=Oxidized Copper		PB=Polished Brass ⁵ PC=Polished Chrome ⁵ PCP=Polished Copper ⁵ PN=Polished Nickel ⁵ SAL=Lacquered Satin Aluminum SB=Satin Brass		SC=Satin Chrome SCP=Satin Copper SN=Satin Nickel Standard MW=Matte White	
			BB=Double Bowl ⁵ CTC=Clear Acrylic Top Cover DL=Damp Location ⁷ DMA10=Dimming Ballast (Advance Mark 10) ^{8,9} DMA7=Dimming Ballast (Advance Mark 7) ^{8,9} DML=Dimming Ballast (Lutron) ^{8,10}		
			FB=Hand Painted Faux Alabaster Bowl IEM=Integral Emergency Ballast ^{3,2,11} LNB=Hand Painted Faux Linen Bowl REM=Remote Emergency Battery ¹² SCA=Sloped Ceiling Adaptor ¹³ WTC=White Acrylic Top Cover		
			24" (OA)=24" Diameter ¹⁴ 32" (OA)=36" Diameter 38" (OA)=42" Diameter ¹⁴		

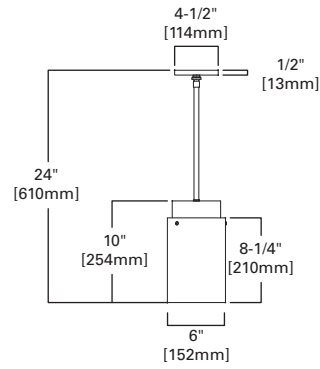
NOTES: 1. Available in 24". 2. Available in 36". 3. Available in 42". 4. Available with CFL only. 5. Not available in 42" diameter. 6. Available with Deep Bowl (DB) only. 7. Interior applications only. 8. Available in 26/32W lamping only (24"). 9. Available in CFL/4/40W *AND* CFL/4/42W lamping only (42"). 10. Available in CFL/6/39 (36") and CFL/4 or 6/40W, CFL/4/50W or CFL/4 or 8/ 42W lamping only (42") - with out IEM option. 11. Not available with CFL/8/42 (42") and with dimming option. 12. Supplied by others (not available with SJ Cord mounting). 13. Specify up to 45°. 14. Or specify.

Specifications and dimensions subject to change without notice. Consult your Cooper Lighting Representative or visit www.cooperlighting.com for available options, accessories and ordering information.

FEATURES

- Interior Pendant Solid Aluminum Cylinder Luminaire
- Standard solid aluminum cylinder downlight
- Integral electronic HPF, multi-volt 120/277V (347V Canada)
- Standard: Natural Aluminum; Premium: Contact factory for finishes
- Universal circular strap for a standard 4" J-box or plaster ring
- Available with SJ Cord as standard (except with REM option)
- Available for MRI applications (INC only) - contact factory
- UL and CUL approved for interior and damp locations

Compliances may not apply to all product configurations. Please consult the product spec sheet for compliance details.
COMPLIANCES: UL/cUL Listed - Damp Location, ARRA Compliant



461 SERIES

ORDERING INFORMATION

SAMPLE NUMBER: 461-P1S-CFL/1/18/277V-SAL-24

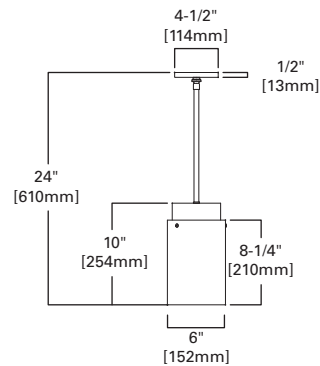
Series	Mounting Type	Lamp	Voltage	Finish	Options	OA	
461=Solid Aluminum Cylinder	P1S =Pendant Single Stem P2CL =Pendant Double Cluster P3CL =Pendant Triple Cluster P4CL =Pendant Four Cluster PCSJ =Pendant Clear SJ Cord PWSJ =Pendant White SJ Cord	CFL/1/18 CFL/1/26 INC/1/100 PARH/1/90	120V 277V¹ 347V¹	Premium ALP =Aluminum Paint CC =Custom Color GNM =Gun Metal MW =Matte White OBRS =Oxidized Brass OCPC =Oxidized Copper PB =Polished Brass PC =Polished Chrome PCP =Polished Copper	PN =Polished Nickel SAL =Lacquered Satin Aluminum SB =Satin Brass SC =Satin Chrome SCP =Satin Copper SN =Satin Nickel Standard NA =Natural Aluminum	2BD =Two Trim Bands ² 2TB =Two Trim Bars DL =Damp Location ³ DMA10 =Dimming Ballast (Advance Mark 10) ¹ DMA7 =Dimming Ballast (Advance Mark 7) ¹ DML =Dimming Ballast (Lutron) ¹ LUB =Luminous Band REM =Remote Emergency Battery ⁴ SCA =Sloped Ceiling Adaptor ⁵	24"=24" OA⁶

NOTES: 1. Available with CFL only. 2. For Stem mount only. 3. Interior applications only. 4. Supplied by others (not available with SJ Cord mounting). 5. Specify up to 45°. 6. Or specify.

FEATURES

- Interior Pendant Luminous Cylinder Luminaire
- Solid aluminum Base metal with matte white acrylic cylinder
- Integral electronic HPF, multi-volt 120/277V (347V Canada)
- Standard: Natural Aluminum; Premium: Contact factory for finishes
- Universal circular strap for a standard 4" J-box or plaster ring
- Available with SJ Cord as standard mounting (except with REM option)
- Available for MRI applications (INC only) - contact factory
- UL and CUL approved for interior and damp locations

Compliances may not apply to all product configurations. Please consult the product spec sheet for compliance details.
COMPLIANCES: UL/cUL Listed - Damp Location, ARRA Compliant



461A SERIES

ORDERING INFORMATION

SAMPLE NUMBER: 461A-PWSJ-CFL/1/26-120V-SAL-PFB-36

Series	Mounting Type	Lamp	Voltage	Finish	Options	OA	
461A=Luminous Cylinder	P1S =Pendant Single Stem P2CL =Pendant Double Cluster P3CL =Pendant Triple Cluster P4CL =Pendant Four Cluster PCSJ =Pendant Clear SJ Cord PWSJ =Pendant White SJ Cord	CFL/1/18 CFL/1/26 INC/1/75¹	120V 277V² 347V²	Premium ALP =Aluminum Paint CC =Custom Color GNM =Gun Metal MW =Matte White OBRS =Oxidized Brass OCPC =Oxidized Copper PB =Polished Brass PC =Polished Chrome PCP =Polished Copper	PN =Polished Nickel SAL =Lacquered Satin Aluminum SB =Satin Brass SC =Satin Chrome SCP =Satin Copper SN =Satin Nickel Standard NA =Natural Aluminum	2BD =Two Trim Bands ³ 2TB =Two Trim Bars DL =Damp Location ⁴ DMA10 =Dimming Ballast (Advance Mark 10) ² DMA7 =Dimming Ballast (Advance Mark 7) ² DML =Dimming Ballast (Lutron) ² PFB =Perforated Band REM =Remote Emergency Battery ⁵ SCA =Sloped Ceiling Adaptor ⁵	24"=24" OA⁷

NOTES: 1. Available with CFL only. 2. Available with CFL only. 3. For Stem mount only. 4. Interior applications only. 5. Supplied by others (not available with SJ Cord mounting). 6. Specify up to 45°. 7. Or specify.



472 SERIES

FEATURES

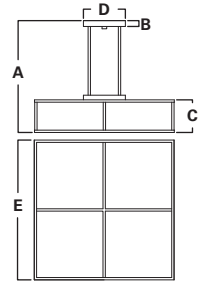
- Interior Pendant Classic Craftsman with Decorative Trim Luminaire
- Cold-rolled steel or solid bronze with matte white acrylic panels
- Integral electronic HPF, multi-volt 120/277V (347V Canada)
- Standard: Matte White; Premium: Contact factory for finishes
- Universal circular strap for a standard 4" J-box or plaster ring
- Optional Hand-painted Faux Alabaster or Faux Linen Side Panel
- UL and CUL approved for interior and damp locations

Compliances may not apply to all product configurations. Please consult the product spec sheet for compliance details.

COMPLIANCES: UL/cUL Listed - Damp Location, ARRA Compliant



472-STANDARD



Standard Sizes	A	B	C	D	E
24"	24"	1-1/4"	5-3/4"	9"	24" SQ
[610mm]	[610mm]	[32mm]	[146mm]	[229mm]	[610mm]
30"	24"	1-1/4"	7"	9"	30" SQ
[762mm]	[610mm]	[32mm]	[178mm]	[229mm]	[762mm]

ORDERING INFORMATION

SAMPLE NUMBER: 472-30-P4S-CFL/4/39-277V-ALP-24

Series	Size	Mounting Type	Lamp	Voltage	Finish	Options	Suspension Height
472=Classic Craftsman Pendant with Decorative Trim	24=24" 30=30" ¹	P4S=Pendant Four Stem	CFL/4/26 ² CFL/4/39 ³ INC/3/75 ² INC/4/100 ³	120V 277V ⁴ 347V ⁴	Premium ALP=Aluminum Paint CC=Custom Color OBZ=Hand Oxidized Bronze SSS=Satin Stainless Steel Standard MW=Matte White	9P=Nine Panel Frame DL=Damp Location ⁵ DMA10=Dimming Ballast (Advance Mark 10) ⁴ DMA7=Dimming Ballast (Advance Mark 7) ⁴ DML=Dimming Ballast (Lutron) ⁴ IEM=Integral Emergency Ballast LNP=Hand Painted Faux Linen Panels MSP=Mica Side Panels SCA=Sloped Ceiling Adaptor ⁶	24"=24" OA ⁷

NOTES: 1. 347V not available with 13W. 2. Available in 24". 3. Available in 30". 4. Available with CFL only. 5. Interior applications only. 6. Specify up to 45°. 7. Or specify.



474 SERIES

FEATURES

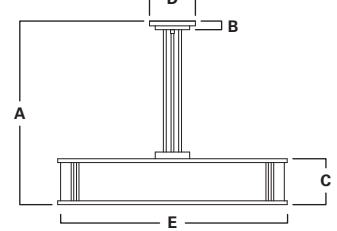
- Interior Pendant Luminous Drum with Bold Trim Luminaire
- Solid aluminum or solid brass with matte acrylic panels
- Integral electronic HPF, multi-volt 120/277V (347V Canada)
- Standard: Natural Aluminum; Premium: Contact factory for finishes
- Universal circular strap for a standard 4" J-box or plaster ring
- Optional Hand-painted Faux Alabaster or Faux Linen Side Panel
- Available for MRI applications (INC only) - contact factory
- UL and CUL approved for interior and damp locations

Compliances may not apply to all product configurations. Please consult the product spec sheet for compliance details.

COMPLIANCES: UL/cUL Listed - Damp Location, ARRA Compliant



474-STANDARD



Standard Sizes	A	B	C	D	E
24"	24"	1-1/8"	6"	6"	24"
[610mm]	[610mm]	[29mm]	[152mm]	[152mm]	[610mm]
30"	24"	1-1/8"	6"	6"	30"
[762mm]	[610mm]	[29mm]	[152mm]	[152mm]	[762mm]

ORDERING INFORMATION

SAMPLE NUMBER: 474-30-P3S-CFL/4/39-277V-OBRS-LNP-36

Series	Size	Mounting Type	Lamp	Voltage	Finish	Options	Suspension Height
474=Drum with Bold Trim	24=24" 30=30"	P1S=Pendant Single Stem P3S=Pendant Triple Stem PTSS2D=Pendant Triple Stem Suspended Double Drum PTSS3D=Pendant Triple Stem Suspended Triple Drum PTSS4D=Pendant Triple Stem Suspended Four Drum	CFL/4/27 ¹ CFL/4/39 ² INC/3/100 ² INC/3/75 ¹	120V 277V ³ 347V ³	Premium ALP=Aluminum Paint CC=Custom Color MW=Matte White OBRS=Oxidized Brass PAL=Lacquered Polished Aluminum Standard NA=Natural Aluminum	PB=Polished Brass PC=Polished Chrome PCP=Polished Copper PN=Polished Nickel SAL=Lacquered Satin Aluminum SB=Satin Brass SC=Satin Chrome SCP=Satin Copper SN=Satin Nickel	24"=24" OA ⁸
Options CBI=Cobalt Blue Inserts CTB=Circular Trim Bar DF=Decorative Finial DFB=Decorative Finial with Ball DL=Damp Location ⁴ DMA10=Dimming Ballast (Advance Mark 10) ^{3,5} DMA7=Dimming Ballast (Advance Mark 7) ^{3,5} DML=Dimming Ballast (Lutron) ^{3,5} FP=Hand Painted Faux Alabaster Panels IEM=Integral Emergency Ballast ^{3,5} LNP=Hand Painted Faux Linen Panels PFB=Perforated Band REM=Remote Emergency Battery ⁶ SCA=Sloped Ceiling Adaptor ⁷							

NOTES: 1. Available in 24". 2. Available in 30". 3. Available with CFL only. 4. Interior applications only. 5. Available with 474-30 only. 6. Supplied by others. 7. Specify up to 45°. 8. Or specify.

Specifications and dimensions subject to change without notice. Consult your Cooper Lighting Representative or visit www.cooperlighting.com for available options, accessories and ordering information.

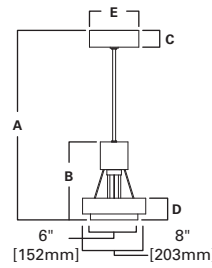
FEATURES

- Interior Pendant Ring Baffle Luminaire
- Aluminum base metal and aluminum hexcel louver
- Integral electronic HPF, multi-volt 120/277V (347V Canada)
- Standard: Natural Aluminum; Premium: Contact factory for finishes
- Universal circular strap for a standard 4" J-box or plaster ring
- Optional matte white acrylic lens
- Available for MRI applications (INC only) - contact factory
- UL and CUL approved for interior and damp locations

Compliances may not apply to all product configurations. Please consult the product spec sheet for compliance details.
COMPLIANCES: UL/cUL Listed - Damp Location, ARRA Compliant



476-STANDARD



476 SERIES

Standard Sizes	A	B	C	D	E
INC	24" [610mm]	8-3/4" [222mm]	1/2" [13mm]	2-3/4" [70mm]	4-1/2" [114mm]
CFL	24" [610mm]	9-7/8" [251mm]	2-7/8" [73mm]	2-3/4" [40mm]	6-1/4" [159mm]

ORDERING INFORMATION

SAMPLE NUMBER: 476-PWSJ-CFL/1/32-120V-SAL-CBA-24

Series	Mounting Type	Lamp	Voltage	Finish	Options	Suspension Height	
476=Ring Baffle Pendant	P1S =Pendant Single Stem P2CL =Pendant Double Cluster P3CL =Pendant Triple Cluster P4CL =Pendant Four Cluster PCSJ =Pendant Clear SJ Cord PWSJ =Pendant White SJ Cord	CFL/1 (26/32W-Triple) INC/1/100 PAR/1/150	120V 277V¹ 347V¹	Premium ALP =Aluminum Paint CC =Custom Color GNM =Gun Metal MW =Matte White OBRS =Oxidized Brass OCP =Oxidized Copper PB =Polished Brass PC =Polished Chrome PCP =Polished Copper	PN =Polished Nickel SAL =Lacquered Satin Aluminum SB =Satin Brass SC =Satin Chrome SCP =Satin Copper SN =Satin Nickel Standard NA =Natural Aluminum	AB =Acrylic Baffle AL =Matte White Acrylic Lens CBA =Cobalt Blue Acrylic Baffle DL =Damp Location ² DML =Dimming Ballast (Lutron) ^{3,4} PFB =Perforated Band REM =Remote Emergency Battery ⁵ SCA =Sloped Ceiling Adaptor ⁶ TGL =Sandblasted Tempered Glass Lens	24"=24" OA⁷

NOTES: 1. Available with CFL only. 2. Interior applications only. 3. Available with 36" maximum OA only. 4. Available with 36" maximum overall hang height. 5. Supplied by others (not available with SJ Cord mounting). 6. Specify up to 45°. 7. Or specify.

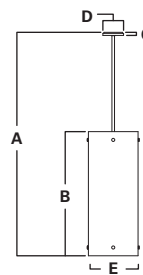
FEATURES

- Interior Pendant Cylinder with Accent Trim Bars and Finials Luminaire
- Solid brass or aluminum housing and decorative trim/finials
- Integral electronic HPF, multi-volt 120/277V (347V Canada)
- Standard: Matte White; Premium: Contact factory for finishes
- Circle strap mounting canopy or bar strap to 4" J-box or plaster ring
- Optional Hand-painted Faux Alabaster or Faux Linen Cylinder
- Available for MRI applications (INC only) - contact factory
- UL and CUL approved for interior and damp locations

Compliances may not apply to all product configurations. Please consult the product spec sheet for compliance details.
COMPLIANCES: UL/cUL Listed - Damp Location, ARRA Compliant



482-STANDARD



482 SERIES

Standard Sizes	A	B	C	D	E
10"	42" [1067mm]	24" [610mm]	3/4" [19mm]	5" [127mm]	10" [254mm]
12"	54" [1372mm]	30" [762mm]	3/4" [19mm]	5" [127mm]	12" [305mm]

ORDERING INFORMATION

SAMPLE NUMBER: 482-12-P1S-CFL/4/40-277V-ALP-HTB-DL-54

Series	Size	Mounting Type	Lamp	Downlight Lamp	Voltage	Finish
482=Cylinder with Accent Trim Bars and Finials	10=10" 12=12" 12D=12" with Downlight	P1S =Pendant Single Stem P3S =Pendant Triple Stem	CFL/4/39¹ CFL/4/40² CFL/4/50² CFL/4/55² INC/6/100² INC/6/75¹	HAL/1/150^{2,3}	120V 277V⁴ 347V⁴	Premium ALP =Aluminum Paint CC =Custom Color GNM =Gun Metal NA =Natural Aluminum OBRS =Oxidized Brass OCP =Oxidized Copper PB =Polished Brass PC =Polished Chrome PCP =Polished Copper SAL =Lacquered Satin Aluminum SB =Satin Brass SC =Satin Chrome SCP =Satin Copper Standard MW =Matte White
Options			Suspension Height			
DL =Damp Location ⁵ FC =Hand Painted Faux Alabaster Cylinder HTB =Horizontal Trim Bar HTB/VTB =Horizontal and Vertical Trim Bars IEM =Integral Emergency Ballast ^{4,2}		LNC =Hand Painted Faux Linen Cylinder PI =Perforated Insert ⁶ REM =Remote Emergency Battery ⁷ SCA =Sloped Ceiling Adaptor ⁸ VTB =Vertical Trim Bars		42" (OA)=10" cyl.⁹ 54" (OA)=12" cyl.⁹		

NOTES: 1. Available in 10". 2. Available in 12". 3. The 482-12" with optional PAR HAL downlight is only available in 120V. 4. Available with CFL only. 5. Interior applications only. 6. Contact factory for alternative trim patterns, perf and color inserts. 7. Supplied by others. 8. Specify up to 45°. 9. Or specify.

Specifications and dimensions subject to change without notice. Consult your Cooper Lighting Representative or visit www.cooperlighting.com for available options, accessories and ordering information.



494 SERIES

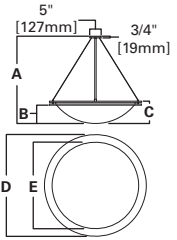
FEATURES

- Interior Pendant Direct/Indirect Luminous Bowl with Double Trim Ring
- Painted and plated cold-rolled steel or natural aluminum
- Integral electronic HPF, multi-volt 120/277V (347V Canada-except 13W)
- Standard: Matte White; Premium: Contact factory for finishes
- Universal circular strap for a standard 4" J-box or plaster ring
- Optional Hand-painted Faux Alabaster or Faux Linen bowl
- Available for MRI applications (INC only) - contact factory
- UL and CUL approved for interior and damp locations

Compliances may not apply to all product configurations. Please consult the product spec sheet for compliance details.
COMPLIANCES: UL/cUL Listed - Damp Location, ARRA Compliant



494-STANDARD



Standard Sizes	A	B	C	D	E
22"	24"	4"	5-3/4"	22"	18"
[559mm]	[610mm]	[102mm]	[146mm]	[559mm]	[457mm]
34"	32"	5"	6-3/4"	34"	28"
[864mm]	[813mm]	[127mm]	[171mm]	[864mm]	[711mm]
40"	38"	8"	9-3/4"	40"	33-1/2"
[1016mm]	[965mm]	[203mm]	[248mm]	[1016mm]	[851mm]

ORDERING INFORMATION

SAMPLE NUMBER: 494-22-P1SAC-CFL/4/26-277V-SB-FB-TB-32

Series	Size	Mounting Type	Lamp	Voltage			
494=Luminous Bowl with Double Ring Trim	22=22" 34=34" 40=40"	P1S=Pendant Single Stem P1SAC=Pendant Single Stem with Aircraft Cable P3S=Pendant Triple Stem PQP=Pendant Quad-Pod PSJCAC=Pendant Aircraft Cable with Clear SJ Cord	PSJWAC=Pendant Aircraft Cable with White SJ Cord PSSS2B=Pendant Single Stem Suspended Double Bowl PSSS3B=Pendant Single Stem Suspended Triple Bowl PSSS4B=Pendant Single Stem Suspended Four Bowl PTP=Pendant Tri-Pod	CFL/4/13 ¹ CFL/4/26 ^{1,2} CFL/4/32 ² CFL/4/39 ³	CFL/4/42 ³ CFL/8/26 ² CFL/8/32 ² CFL/8/39 ³	CFL/8/42 ³ INC/3/100 ² INC/3/75 ¹ INC/6/100 ³	120V 277V ⁴ 347V ^{4,5}
Finish	Color	Pattern ⁸	Options	OA			
Premium ALP=Aluminum Paint CC=Custom Color GNM=Gun Metal NA=Natural Aluminum OBR=Oxidized Brass OCP=Oxidized Copper PB=Polished Brass ⁶ PC=Polished Chrome ⁶ PCP=Polished Copper ⁶	PN=Polished Nickel ⁶ SAL=Lacquered Satin Aluminum SB=Satin Brass SC=Satin Chrome SCP=Satin Copper SN=Satin Nickel Standard MW=Matte White	Custom Decorative Metals⁷ BPL=Black Pearl BRS=Brass CBT=Cabernet CLE=Chocolate CLR=Clear CMP=Champagne CPR=Copper IDO=Indigo PWR=Pewter RBE=Royal Blue SGE=Sage SGN=Slate Green SPE=Sapphire	COL=Coral SHL=Seashell SMT=Smooth DL=Damp Location ⁹ DMA10=Dimming Ballast (Advance Mark 10) ^{10,11,12} DMA7=Dimming Ballast (Advance Mark 7) ^{10,11,13} DML=Dimming Ballast (Lutron) ^{10,11,12} FB=Hand Painted Faux Alabaster Bowl IEM=Integral Emergency Ballast ^{4,3,2} LNB=Hand Painted Faux Linen Bowl REM=Remote Emergency Battery ¹⁴ SCA=Sloped Ceiling Adaptor ¹⁵ TB=Trim Bars	24" (OA)=22" Diameter ¹⁶ 32" (OA)=34" Diameter ¹⁶ 38" (OA)=40" Diameter ¹⁶			

NOTES: 1. Available in 22". 2. Available in 34". 3. Available in 40". 4. Available with CFL only. 5. Not available in 13W. 6. For polished finishes the bottom inside edge of the ring is satin to prevent upper ring reflections. 7. Select a standard or premium finish for the stem (s) canopy. Example: SGE (Sage color) - SMT (Smooth) pattern for trim ring and SC (Satin Chrome) for the stem (s) and canopy. 8. Available with Custom Decorative Metal Finish only. 9. Interior applications only. 10. Available with CFL/4/39 or 32W lamping (40"). 11. Available with CFL/4/26W lamping (22"). 12. Available with CFL/4/26/32W (34" - without IEM option). 13. Available with CFL/8/26W or 32W lamping (34" - without IEM option). 14. Supplied by others (not available with SJ Cord mounting). 15. Specify up to 45°. 16. Or specify.



494S SERIES

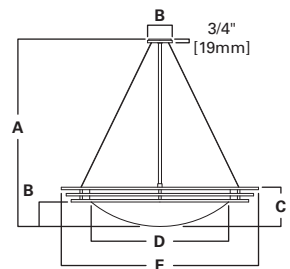
FEATURES

- Interior Pendant Direct/Indirect Luminous with a Triple Ring Luminaire
- Painted and plated cold-rolled steel; Matte white acrylic bowl
- Integral electronic HPF, multi-volt 120/277V (347V Canada)
- Standard: Matte White; Premium: Contact factory for finishes
- Universal circular strap for a standard 4" J-box or plaster ring
- Optional Hand-painted Faux Alabaster or Faux Linen bowl
- Available for MRI applications (INC only) - contact factory
- UL and CUL approved for interior and damp locations

Compliances may not apply to all product configurations. Please consult the product spec sheet for compliance details.
COMPLIANCES: UL/cUL Listed - Damp Location, ARRA Compliant



494-S-STANDARD



Standard Sizes	A	B	C	D	E
34"	24"	5"	8"	24"	33-1/2"
[864mm]	[610mm]	[127mm]	[203mm]	[610mm]	[851mm]
40"	38"	5"	8"	28"	40"
[1016mm]	[965mm]	[127mm]	[203mm]	[711mm]	[1016mm]

ORDERING INFORMATION

SAMPLE NUMBER: 494S-34-P3S-CFL/4/32-277V-SAL-BPL/SHL-ACR-38

Series	Size	Mounting Type	Lamp	Voltage	
494S=Luminous Bowl with Triple Ring Trim	34=34" 40=40"	P1S=Pendant Single Stem P1SAC=Pendant Single Stem with Aircraft Cable P3S=Pendant Triple Stem PQP=Pendant Quad Pod PSJCAC=Pendant Aircraft Cable with Clear SJ Cord	PSJWAC=Pendant Aircraft Cable with White SJ Cord PTP=Pendant Tri-Pod PTSS2B=Pendant Triple Stem Suspended Double Bowl PTSS3B=Pendant Triple Stem Suspended Triple Bowl PTSS4B=Pendant Triple Stem Suspended Four Bowl	CFL/4 (26/32W-Triple) ¹ CFL/4/39 ² CFL/4/42 ² CFL/8 (26/32W-Triple) ¹ CFL/8/27 ² CFL/8/42 ² INC/3/100 ¹ INC/6/100 ²	120V 277V ³ 347V ³
Finish	Color	Pattern ⁶	Options	OA	
Premium ALP=Aluminum Paint CC=Custom Color GNM=Gun Metal NA=Natural Aluminum OBR=Oxidized Brass OCP=Oxidized Copper SC=Satin Chrome SCP=Satin Copper SN=Satin Nickel	PB=Polished Brass ⁴ PC=Polished Chrome ⁴ PCP=Polished Copper ⁴ PN=Polished Nickel ⁴ SAL=Lacquered Satin Aluminum SB=Satin Brass Standard MW=Matte White	Custom Decorative Metals⁵ BPL=Black Pearl BRS=Brass CBT=Cabernet CLE=Chocolate CLR=Clear CMP=Champagne CPR=Copper IDO=Indigo PWR=Pewter RBE=Royal Blue SGE=Sage SGN=Slate Green SPE=Sapphire	COL=Coral SHL=Seashell SMT=Smooth ACR=Frosted Acrylic Center Ring DL=Damp Location ⁷ DMA10=Dimming Ballast (Advance Mark 10) ^{8,9,10} DMA7=Dimming Ballast (Advance Mark 7) ^{8,9,10,11} DML=Dimming Ballast (Lutron) ^{9,9} FB=Hand Painted Faux Alabaster Bowl IEM=Integral Emergency Ballast ³ LNB=Hand Painted Faux Linen Bowl REM=Remote Emergency Battery ¹² SCA=Sloped Ceiling Adaptor ¹³	32" (OA)=34" Diameter ¹⁴ 38" (OA)=40" Diameter ¹⁴	

NOTES: 1. Available in 34". 2. Available in 40". 3. Available with CFL only. 4. For polished finishes the bottom inside edge of the ring is satin to prevent upper ring reflections. 5. Select a standard or premium finish for the stem (s) canopy. Example: SGE (Sage color) - SMT (Smooth) pattern for trim ring and SC (Satin Chrome) for the stem (s) and canopy. 6. Available with Custom Decorative Metal Finish only. 7. Interior applications only. 8. Available with CFL/4/26/32W (34" - without IEM option). 9. Available with CFL/4/39 or CFL/4/42W (40" - without IEM option). 10. Available with CFL/8/26/32W (34" - without IEM option). 11. Available with CFL/8/42W (40" - without IEM option). 12. Supplied by others (not available with SJ Cord mounting). 13. Specify up to 45°. 14. Or specify.

Specifications and dimensions subject to change without notice. Consult your Cooper Lighting Representative or visit www.cooperlighting.com for available options, accessories and ordering information.

FEATURES

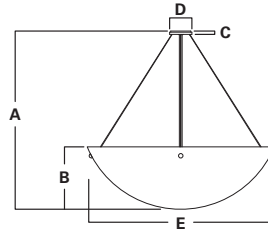
- Interior Pendant Direct/Indirect Large Bowl Luminaire
- Painted and plated cold-rolled steel or natural aluminum
- Integral electronic HPF, multi-volt 120/277V (347V Canada)
- Standard: Matte White; Premium: Contact factory for finishes
- Circle strap mounting canopy or bar strap, to 4" J-box or plaster ring
- Optional Hand-painted Faux Alabaster or Faux Linen bowl
- Available for MRI applications (INC only) - contact factory
- UL and CUL approved for interior and damp locations

Compliances may not apply to all product configurations. Please consult the product spec sheet for compliance details.

COMPLIANCES: UL/cUL Listed - Damp Location, ARRA Compliant



499-STANDARD



499 SERIES

Standard Sizes	A	B	C	D	E
28"	24"	10"	3/4"	5"	28"
[711mm]	[610mm]	[254mm]	[19mm]	[127mm]	[711mm]
36"	32"	12"	3/4"	5"	36"
[914mm]	[813mm]	[305mm]	[19mm]	[127mm]	[914mm]
42"	40"	14"	3/4"	5"	42"
[1067mm]	[1016mm]	[356mm]	[19mm]	[127mm]	[1067mm]

ORDERING INFORMATION

SAMPLE NUMBER: 499-42-P3S-CFL/8/40-120V-OBRS-FB-48

Series	Size	Mounting Type	Lamp	Voltage	Finish
499=Direct/Indirect Bowl	28=28" 36=36" 42=42"	P1S =Pendant Single Stem P1SAC =Pendant Single Stem with Aircraft Cable P3S =Pendant Triple Stem PQP =Pendant Quad-Pod with Decorative Balls PSJCAC =Pendant Aircraft Cable with Clear SJ Cord PSJWAC =Pendant Aircraft Cable with White SJ Cord PTSS2B =Pendant Triple Stem Suspended Double Bowl PTSS3B =Pendant Triple Stem Suspended Triple Bowl PTSS4B =Pendant Triple Stem Suspended Four Bowl	CFL/4 (26/32W-Triple) ¹ CFL/4/27 ² CFL/4/40 ^{3,2} CFL/4/50 ³ CFL/6/40 ²	120V 277V ⁴ 347V ⁴	Premium ALP =Aluminum Paint CC =Custom Color GNM =Gun Metal NA =Natural Aluminum OBRS =Oxidized Brass OCP =Oxidized Copper PB =Polished Brass ⁵ PC =Polished Chrome ⁵ PCP =Polished Copper ⁵ Standard MW =Matte White
Options		Suspension Height			
CBD =Cross Bands DL =Damp Location ⁶ DMA10 =Dimming Ballast (Advance Mark 10) ^{7,8,9} DMA7 =Dimming Ballast (Advance Mark 7) ^{7,8,9} DML =Dimming Ballast (Lutron) ^{7,8,9,10} FB =Hand Painted Faux Alabaster Bowl IEM =Integral Emergency Ballast ^{3,2} LNB =Hand Painted Faux Linen Bowl REM =Remote Emergency Battery ¹¹ SCA =Sloped Ceiling Adaptor ¹² TR =Trim Ring		24" (OA) =28" Diameter ¹³ 32" (OA) =36" Diameter ¹³ 32" (OA) =36" Diameter 40" (OA) =42" Diameter ¹³			

NOTES: 1. Available in 28". 2. Available in 36". 3. Available in 42". 4. Available with CFL only. 5. Not available in 42" with TR. 6. Interior applications only. 7. Not available in 27W. 8. Available in CFL/4/26W or 32W lamping (28"). 9. Available in CFL/4/40W lamping (36" AND 42" - without IEM). 10. Available in CFL/6/40W (36" - without IEM) and CFL/4/50 (42" - without IEM) lamping only. 11. Supplied by others (not available with SJ Cord mounting). 12. Specify up to 45°. 13. Or specify.



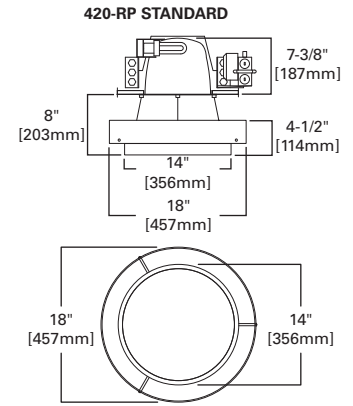
420RP SERIES

FEATURES

- Interior Recessed Pendant Ring Baffle Luminaire
- Painted or natural aluminum ringed baffle, white cube cell louver
- Integral, multi-voltage (120V/277V), electronic CFL (347V Canada)
- Standard: Natural Aluminum; Premium: Contact factory for finishes
- Positive reflector mounting, tool-less, pulls trim tight to ceiling
- Designed for low ceiling applications, performance optics by Portfolio
- Contact factory for dimming and IEM options
- Accepts 1/2" EMT, C Channel, T-bar fasteners and bar hangers
- UL and CUL approved for interior and damp locations

Compliances may not apply to all product configurations. Please consult the product spec sheet for compliance details.

COMPLIANCES: UL/cUL Listed - Damp Location



ORDERING INFORMATION

SAMPLE NUMBER: 420RP-CFL/2/26-120V-ALP-ALP-AL

Series	Lamp	Voltage	Pendant Finish		Ring/Hardware Finish		Options
420RP=Ring Baffle Recessed Pendant	CFL/2 (26/32/42W-Triple)	120V 277V 347V	Premium ALP=Aluminum Paint BM=Bronze Metallic Paint CC=Custom Color GM=Gold Metallic Paint MW=Matte White OCP=Oxidized Copper	PCP=Polished Copper SAL=Lacquered Satin Aluminum SCP=Satin Copper Standard NA=Natural Aluminum	Premium BM=Bronze Metallic Paint CC=Custom Color GM=Gold Metallic Paint MW=Matte White OCP=Oxidized Copper	PCP=Polished Copper SAL=Lacquered Satin Aluminum SCP=Satin Copper Standard NA=Natural Aluminum	2CIR =2 Circuit Wiring AL =Matte White Acrylic Lens DL =Damp Location †

NOTES: 1. Interior applications only.



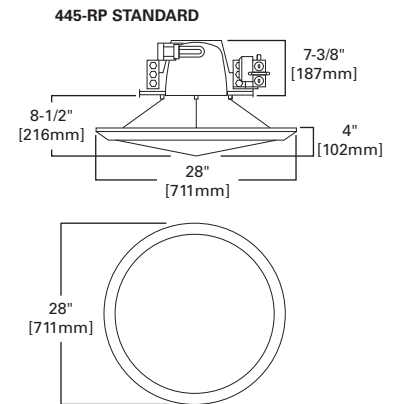
445RP SERIES

FEATURES

- Interior Recessed Pendant with Luminous Bowl Luminaire
- Painted or plated cold-rolled steel trim ring, white acrylic bowl
- Integral, multi-voltage (120V/277V), electronic CFL (347V Canada)
- Standard: Matte White; Premium: Contact factory for finishes
- Positive reflector mounting, tool-less, pulls trim tight to ceiling
- Designed for low ceiling applications, performance optics by Portfolio
- Contact factory for dimming and IEM options
- Accepts 1/2" EMT, C Channel, T-bar fasteners and bar hangers
- UL and CUL approved for interior and damp locations

Compliances may not apply to all product configurations. Please consult the product spec sheet for compliance details.

COMPLIANCES: UL/cUL Listed, UL/cUL Listed - Damp Location



ORDERING INFORMATION

SAMPLE NUMBER: 445RP-CFL/2/42-277V-SC-SC-LNB

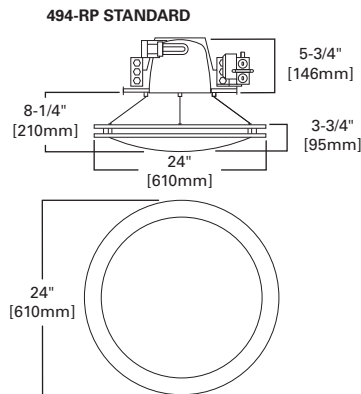
Series	Lamp	Voltage	Pendant Trim Finish		Ring/Hardware Finish		Options
445RP=Luminous Bowl with Trim Ring Recessed Pendant	CFL/2 (26/32/42W-Triple)	120V 277V 347V	Premium ALP=Aluminum Paint BM=Bronze Metallic Paint CC=Custom Color GM=Gold Metallic Paint GNM=Gun Metal OCP=Oxidized Copper PB=Polished Brass PC=Polished Chrome	PCP=Polished Copper SB=Satin Brass SC=Satin Chrome SCP=Satin Copper SN=Satin Nickel Standard MW=Matte White	Premium ALP=Aluminum Paint BM=Bronze Metallic Paint CC=Custom Color GM=Gold Metallic Paint GNM=Gun Metal OCP=Oxidized Copper PB=Polished Brass PC=Polished Chrome	PCP=Polished Copper SB=Satin Brass SC=Satin Chrome SCP=Satin Copper SN=Satin Nickel Standard MW=Matte White	2CIR =2 Circuit Wiring DL =Damp Location † FB =Hand Painted Faux Alabaster Bowl LNB =Hand Painted Faux Linen Bowl

NOTES: 1. Interior applications only.

FEATURES

- Interior Recessed Pendant with Double Trim Ring Luminaire
- Painted or plated cold-rolled steel trim ring, white acrylic bowl
- Integral, multi-voltage (120V/277V), electronic CFL (347V Canada)
- Standard: Matte White; Premium: Contact factory for finishes
- Positive reflector mounting, tool-less, pulls trim tight to ceiling
- Designed for low ceiling applications, performance optics by Portfolio
- Accepts 1/2" EMT, C Channel, T-bar fasteners and bar hangers
- Optional hand-painted Faux Alabaster or Faux Linen bowl
- UL and CUL approved for interior and damp locations

Compliances may not apply to all product configurations. Please consult the product spec sheet for compliance details.
COMPLIANCES: UL/cUL Listed - Damp Location



494RP SERIES

ORDERING INFORMATION

SAMPLE NUMBER: 494RP-CFL/2/32-120V-SN-SN

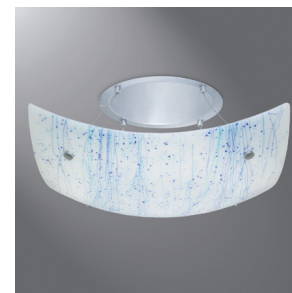
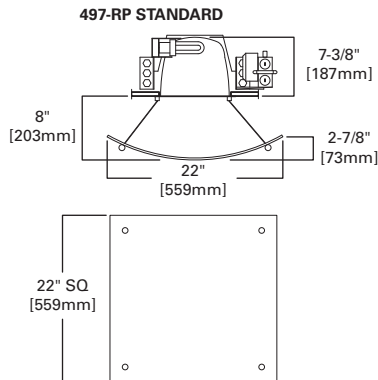
Series	Lamp	Voltage	Pendant Trim Finish		Ring/Hardware Finish		Options
494RP=Luminous Ring Recessed Pendant	CFL/1 (26/32/42W-Triple)	120V 277V 347V	Premium ALP=Aluminum Paint BM=Bronze Metallic Paint CC=Custom Color GM=Gold Metallic Paint GNM=Gun Metal OCP=Oxidized Copper PB=Polished Brass PC=Polished Chrome	SB=Satin Brass SC=Satin Chrome SCP=Satin Copper SN=Satin Nickel Standard MW=Matte White	Premium ALP=Aluminum Paint BM=Bronze Metallic Paint CC=Custom Color GM=Gold Metallic Paint GNM=Gun Metal OCP=Oxidized Copper PB=Polished Brass PC=Polished Chrome	PCP=Polished Copper SB=Satin Brass SC=Satin Chrome SCP=Satin Copper SN=Satin Nickel Standard MW=Matte White	2CIR=2 Circuit Wiring DL=Damp Location ¹ FB=Hand Painted Faux Alabaster Bowl LNB=Hand Painted Faux Linen Bowl

NOTES: 1. Interior applications only.

FEATURES

- Interior Recessed Pendant Luminous Curved Square Glass Luminaire
- BULLSEYE clear curved square glass with a colorful sprinkling of frits
- Integral, multi-voltage (120V/277V), electronic CFL (347V Canada)
- Standard: Matte White; Premium: Contact factory for finishes
- Positive reflector mounting, tool-less, pulls trim tight to ceiling
- Designed for low ceiling applications, performance optics by Portfolio
- Contact factory for dimming and IEM options
- Accepts 1/2" EMT, C Channel, T-bar fasteners and bar hangers
- UL and CUL approved for interior and damp locations

Compliances may not apply to all product configurations. Please consult the product spec sheet for compliance details.
COMPLIANCES: UL/cUL Listed, UL/cUL Listed - Damp Location



497RP SERIES

ORDERING INFORMATION

SAMPLE NUMBER: 497RP-CFL/2/42-277V-BM-BM-GYMG

Series	Lamp	Voltage	Pendant Trim Finish		Options
497RP=Curved Square Glass Recessed Pendant	CFL/2 (26/32/42W-Triple)	120V 277V 347V	Premium ALP=Aluminum Paint BM=Bronze Metallic Paint CC=Custom Color GM=Gold Metallic Paint GNM=Gun Metal	NA=Natural Aluminum OCP=Oxidized Copper PB=Polished Brass PC=Polished Chrome PCP=Polished Copper SAL=Satin Aluminum Standard MW=Matte White	SB=Satin Brass SC=Satin Chrome SCP=Satin Copper SN=Satin Nickel
Ring/Hardware Finish			Glass Finish (Mardi Gras Fused Glass)		Options
Premium ALP=Aluminum Paint BM=Bronze Metallic Paint CC=Custom Color GM=Gold Metallic Paint GNM=Gun Metal NA=Natural Aluminum	OCP=Oxidized Copper PB=Polished Brass PC=Polished Chrome PCP=Polished Copper SAL=Lacquered Satin Aluminum	SB=Satin Brass SC=Satin Chrome SCP=Satin Copper SN=Satin Nickel Standard MW=Matte White	BTMG=Royal Blue and Turquoise Frit and Streamers GBMG=Gray and Black Frit with White Streamers GRMG=Dark Green and Jade Green Frit with Dark Green Streamers GYMG=Gray and Bronze Frit with Gray and Vanilla Streamers RDMG=Red Frit and Streamers	2CIR=2 Circuit Wiring DL=Damp Location ¹	

NOTES: 1. Interior applications only.

Specifications and dimensions subject to change without notice. Consult your Cooper Lighting Representative or visit www.cooperlighting.com for available options, accessories and ordering information.



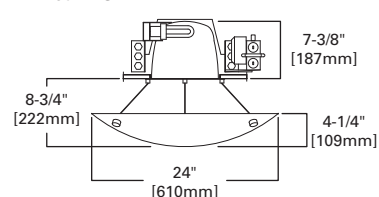
FEATURES

- Interior Recessed Pendant Hand-Crafted Glass Bowl Luminaire
- Hand fused to an opaque white glass for structure and lamp uniformity
- Integral, multi-voltage (120V/277V), electronic CFL (347V Canada)
- Standard: Matte White; Premium: Contact factory for finishes
- Designed for low ceiling applications, performance optics by Portfolio
- Positive reflector mounting, tool-less, pulls trim tight to ceiling
- Contact factory for dimming and IEM options
- Accepts 1/2" EMT, C Channel, T-bar fasteners and bar hangers
- UL and CUL approved for interior and damp locations

Compliances may not apply to all product configurations. Please consult the product spec sheet for compliance details.

COMPLIANCES: UL/cUL Listed, UL/cUL Listed - Damp Location

498-RP STANDARD



498RP SERIES



ORDERING INFORMATION

SAMPLE NUMBER: 498RP-CFL/2/32-120V-SAL-SAL-WG

Series	Lamp	Voltage	Pendant Trim Finish		
498RP=Luminous Glass Recessed Pendant	CFL/2 (26/32/42W-Triple)	120V 277V 347V	Premium ALP=Aluminum Paint BM=Bronze Metallic Paint CC=Custom Color GM=Gold Metallic Paint GNM=Gun Metal	NA=Natural Aluminum OCP=Oxidized Copper PB=Polished Brass PC=Polished Chrome PCP=Polished Copper SAL=Satin Aluminum	SB=Satin Brass SC=Satin Chrome SCP=Satin Copper SN=Satin Nickel Standard MW=Matte White
Ring/Hardware Finish			Glass Color		Options
Premium ALP=Aluminum Paint BM=Bronze Metallic Paint CC=Custom Color GM=Gold Metallic Paint GNM=Gun Metal	NA=Natural Aluminum OCP=Oxidized Copper PB=Polished Brass PC=Polished Chrome PCP=Polished Copper SAL=Lacquered Satin Aluminum	SB=Satin Brass SC=Satin Chrome SCP=Satin Copper SN=Satin Nickel Standard MW=Matte White	CG=Textured Carmel Swirl Glass WG=Textured Warm White Glass	2CIR=2 Circuit Wiring DL=Damp Location ¹	

NOTES: 1. Interior applications only.



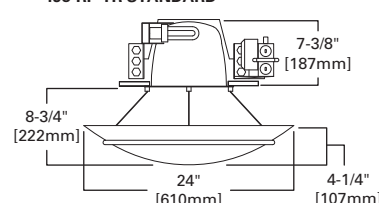
FEATURES

- Interior Recessed Pendant Luminous Glass Bowl with Trim Ring Luminaire
- Cold-rolled steel or solid brass trim ring with white glass bowl
- Integral, multi-voltage (120V/277V), electronic CFL (347V Canada)
- Standard: Matte White; Premium: Contact factory for finishes
- Designed for low ceiling applications, performance optics by Portfolio
- Positive reflector mounting, tool-less, pulls trim tight to ceiling
- Contact factory for dimming and IEM options
- Accepts 1/2" EMT, C Channel, T-bar fasteners and bar hangers
- UL and CUL approved for interior and damp locations

Compliances may not apply to all product configurations. Please consult the product spec sheet for compliance details.

COMPLIANCES: UL/cUL Listed - Damp Location

498-RP-TR STANDARD



498RPTR SERIES



ORDERING INFORMATION

SAMPLE NUMBER: 498RP/TR-CFL/2/26-120V-PC-PC-CG

Series	Lamp	Voltage	Pendant Trim Finish		
498RPTR=Luminous Glass with Trim Ring Recessed Pendant	CFL/2 (26/32/42W-Triple)	120V 277V 347V	Premium ALP=Aluminum Paint BM=Bronze Metallic Paint CC=Custom Color GM=Gold Metallic Paint GNM=Gun Metal	NA=Natural Aluminum OCP=Oxidized Copper PB=Polished Brass PC=Polished Chrome PCP=Polished Copper SAL=Satin Aluminum	SB=Satin Brass SC=Satin Chrome SCP=Satin Copper SN=Satin Nickel Standard MW=Matte White
Ring/Hardware Finish			Glass Color		Options
Premium ALP=Aluminum Paint BM=Bronze Metallic Paint CC=Custom Color GM=Gold Metallic Paint GNM=Gun Metal	NA=Natural Aluminum OCP=Oxidized Copper PB=Polished Brass PC=Polished Chrome PCP=Polished Copper SAL=Lacquered Satin Aluminum	SB=Satin Brass SC=Satin Chrome SCP=Satin Copper SN=Satin Nickel Standard MW=Matte White	CG=Textured Carmel Swirl Glass WG=Textured Warm White Glass	2CIR=2 Circuit Wiring DL=Damp Location ¹	

NOTES: 1. Interior applications only.

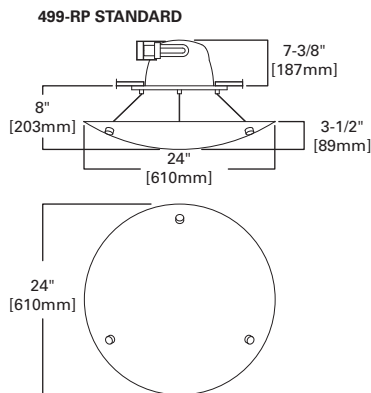
Specifications and dimensions subject to change without notice. Consult your Cooper Lighting Representative or visit www.cooperlighting.com for available options, accessories and ordering information.

FEATURES

- Interior Recessed Pendant Luminous Bowl with Finials Luminaire
- Solid brass or aluminum cable and finials; matte white acrylic bowl
- Integral, multi-voltage (120V/277V), electronic CFL (347V Canada)
- Standard: Matte White; Premium: Contact factory for finishes
- Designed for low ceiling applications, performance optics by Portfolio
- Positive reflector mounting, tool-less, pulls trim tight to ceiling
- Contact factory for dimming and IEM options
- Accepts 1/2" EMT, C Channel, T-bar fasteners and bar hangers
- UL and CUL approved for interior and damp locations

Compliances may not apply to all product configurations. Please consult the product spec sheet for compliance details.

COMPLIANCES: UL/cUL Listed, UL/cUL Listed - Damp Location



499RP SERIES

ORDERING INFORMATION

SAMPLE NUMBER: 499RP-CFL/2/32-120V-MW-MW-FB

Series	Lamp	Voltage	Pendant Trim Finish		
499RP=Luminous Bowl Recessed Pendant	CFL/2 (26/32/42W-Triple)	120V 277V 347V	Premium ALP=Aluminum Paint BM=Bronze Metallic Paint CC=Custom Color GM=Gold Metallic Paint GNM=Gun Metal	NA=Natural Aluminum OCP=Oxidized Copper PB=Polished Brass PC=Polished Chrome PCP=Polished Copper SAL=Satin Aluminum	SB=Satin Brass SC=Satin Chrome SCP=Satin Copper SN=Satin Nickel Standard MW=Matte White
Ring/Hardware Finish			Options		
Premium ALP=Aluminum Paint BM=Bronze Metallic Paint CC=Custom Color GM=Gold Metallic Paint GNM=Gun Metal	NA=Natural Aluminum OCP=Oxidized Copper PB=Polished Brass PC=Polished Chrome PCP=Polished Copper SAL=Lacquered Satin Aluminum	SB=Satin Brass SC=Satin Chrome SCP=Satin Copper SN=Satin Nickel Standard MW=Matte White	2CIR=2 Circuit Wiring DL=Damp Location ¹ FB=Hand Painted Faux Alabaster Bowl LNB=Hand Painted Faux Linen Bowl		

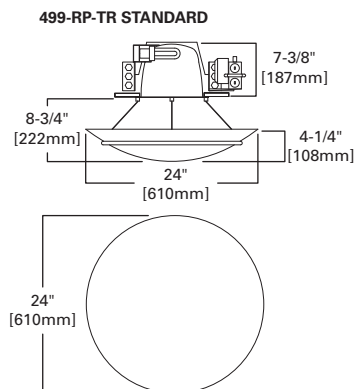
NOTES: 1. Interior applications only.

FEATURES

- Interior Recessed Pendant Luminous Bowl with Trim Ring Luminaire
- Cold-rolled steel or solid brass trim ring with white acrylic bowl
- Integral, multi-voltage (120V/277V), electronic CFL (347V Canada)
- Standard: Matte white; premium: contact factory for finishes
- Designed for low ceiling applications, performance optics by Portfolio
- Positive reflector mounting, tool-less, pulls trim tight to ceiling
- Contact factory for dimming and IEM options
- Accepts 1/2" EMT, C Channel, T-bar fasteners and bar hangers
- UL and CUL approved for interior and damp locations

Compliances may not apply to all product configurations. Please consult the product spec sheet for compliance details.

COMPLIANCES: UL/cUL Listed - Damp Location



499RPTR SERIES

ORDERING INFORMATION

SAMPLE NUMBER: 499RP/TR-CFL/2/26-120V-ALP-ALP

Series	Lamp	Voltage	Pendant Trim Finish		
499RPTR=Luminous Bowl with Trim Ring Recessed Pendant	CFL/2 (26/32/42W-Triple)	120V 277V 347V	Premium ALP=Aluminum Paint BM=Bronze Metallic Paint CC=Custom Color GM=Gold Metallic Paint GNM=Gun Metal	NA=Natural Aluminum OCP=Oxidized Copper PB=Polished Brass PC=Polished Chrome PCP=Polished Copper SAL=Satin Aluminum	SB=Satin Brass SC=Satin Chrome SCP=Satin Copper SN=Satin Nickel Standard MW=Matte White
Ring/Hardware Finish			Options		
Premium ALP=Aluminum Paint BM=Bronze Metallic Paint CC=Custom Color GM=Gold Metallic Paint GNM=Gun Metal	NA=Natural Aluminum OCP=Oxidized Copper PB=Polished Brass PC=Polished Chrome PCP=Polished Copper SAL=Lacquered Satin Aluminum	SB=Satin Brass SC=Satin Chrome SCP=Satin Copper SN=Satin Nickel Standard MW=Matte White	2CIR=2 Circuit Wiring DL=Damp Location ¹ FB=Hand Painted Faux Alabaster Bowl LNB=Hand Painted Faux Linen Bowl		

NOTES: 1. Interior applications only.

Specifications and dimensions subject to change without notice. Consult your Cooper Lighting Representative or visit www.cooperlighting.com for available options, accessories and ordering information.

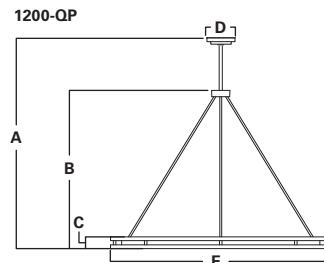


1200 SERIES

FEATURES

- High Performance Pendant Indirect Flat Pan with Double Ring Trim
- Solid pan painted or plated cold-rolled steel or natural aluminum
- Integral electronic HPF, multi-volt 120/277V (347V Canada)
- Standard: Matte White; Premium: Contact factory for finishes
- Refer to shaperlighting.com for installation instructions
- Available with multiple mounting options and pan styles
- Optional Open or Frosted Glass center bottom
- UL and CUL approved for interior and damp locations

Compliances may not apply to all product configurations. Please consult the product spec sheet for compliance details.
COMPLIANCES: UL/cUL Listed - Damp Location, ARRA Compliant



Standard Sizes	A	B	C	D	E
26" [660mm]	30" [762mm]	19-1/2" [495mm]	2-3/8" [60mm]	5-1/2" [140mm]	26-1/8" [664mm]
36" [914mm]	36" [914mm]	24-5/8" [625mm]	2-3/8" [60mm]	5-1/2" [140mm]	36" [914mm]
44" [1118mm]	42" [1067mm]	31-5/8" [778mm]	2-3/8" [60mm]	5-1/2" [140mm]	44-1/8" [1121mm]

ORDERING INFORMATION

SAMPLE NUMBER: 1200-26-PQP-CFL/3/27-120V-PC-CBT/COL-OB-30

Series	Size	Mounting Type	Lamp	Voltage	Finish
1200=Solid Bottom	26=26"	P1S =Pendant Single Stem ¹ P1SAC =Pendant Single Stem with Aircraft Cable ¹ P3S =Pendant Three Stem ¹ PQP =Pendant Quad-Pod ² PSJCAC =Pendant Aircraft Cable with Clear SJ Cord PSJWAC =Pendant Aircraft Cable with White SJ Cord PTP =Pendant Tri-Pod ³	26"	120V 277V ⁴ 347V ⁴	Premium ALP =Aluminum Paint CC =Custom Color GNM =Gun Metal ⁵ NA =Natural Aluminum OBRS =Oxidized Brass ⁵ OCP =Oxidized Copper ⁵ PB =Polished Brass ⁵ PC =Polished Chrome ⁵
	36=36"		CFL/3/27 CFL/2/50 CFL/4/27 CFL/6/27 CFL/3/27 CFL/4/39 CFL/3/39 CFL/4/40 CFL/3/40 CFL/4/50 CFL/3/50 CFL/4/55 CFL/3/55 CFL/8/27 CFL/6/27 CFL/8/39 CFL/6/39 CFL/8/40 CFL/6/40 CFL/8/50 CFL/6/55 CFL/8/55		
Color ⁶		Pattern ⁷	Options	OA ¹²	
Custom Decorative Metals BPL =Black Pearl BRS =Brass CBT =Cabernet CLE =Chocolate CLR =Clear CMP =Champagne		CPR =Copper IDO =Indigo PWR =Pewter RBE =Royal Blue SGE =Sage SGN =Slate Green SPE =Sapphire	COL =Coral SHL =Seashell SMT =Smooth DL =Damp Location ⁸ DMA10 =Dimming Ballast (Advance Mark 10) ⁹ DMA7 =Dimming Ballast (Advance Mark 7) ⁹ DML =Dimming Ballast (Lutron) ⁹ FF =Factory Fuse OB =Open Bottom Pan OBG =Open Bottom Pan with Frosted Glass REM =Remote Emergency Battery ¹⁰ SCA =Sloped Ceiling Adaptor ¹¹ SSW =Separate Switching	30" (OA) =26" Diameter ¹³ 36" (OA) =36" Diameter ¹³ 42" (OA) =44" Diameter ¹³	

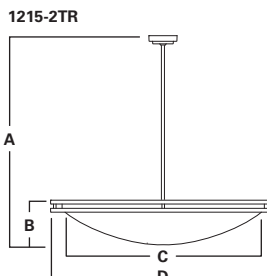
NOTES: 1. Available in Solid Bottom only. 2. Standard with 44" diameter. 3. Standard with 26" AND 36" diameter. 4. Available with CFL only. 5. Not available in 44" diameter. 6. Select a standard or premium finish for the stem (s) canopy. Example: SGE (Sage color) - SMT (Smooth) pattern for pan and SC (Satin Chrome) for the stem (s) and canopy. 7. Available with Custom Decorative Metal Finish only. 8. Interior applications only. 9. Not available in 27W. 10. Supplied by others (not available with SJ Cord mounting). 11. Specify up to 45°. 12. Applies to Tri-Pod or Quad-Pod only. Refer to Spec Sheet under Suspension Options for OA's for alternative mountings. 13. Or specify.

FEATURES

- High Performance Pendant Indirect/Direct Shallow Bowl with Trim Ring
- Painted or plated cold-rolled steel or aluminum with white acrylic bowl
- Integral electronic HPF, multi-volt 120/277V (347V Canada)
- Standard: Matte White; Premium: Contact factory for finishes
- Refer to shaperlighting.com for installation instructions
- Available with multiple mounting options
- Double Trim Ring or Traditional Trim Ring available in three diameters
- UL and CUL approved for interior and damp locations

Compliances may not apply to all product configurations. Please consult the product spec sheet for compliance details.

COMPLIANCES: UL/cUL Listed - Damp Location, ARRA Compliant



1215/2TR SERIES

Standard Sizes	A	B	C	D
26" [660mm]	30" [762mm]	5-3/4" [146mm]	20-1/2" [521mm]	26-1/8" [664mm]
36" [914mm]	36" [914mm]	6-3/4" [171mm]	30-3/8" [772mm]	36-1/8" [918mm]
44" [1118mm]	46" [1168mm]	8-3/4" [222mm]	38-1/2" [978mm]	44-1/8" [1121mm]

ORDERING INFORMATION

SAMPLE NUMBER: 1215/2TR-26-P1SAC-CFL/6/27/T5C/1/40-120V-SAL-28

Series	Size	Mounting Type	Lamp	Lamp (Bowl)	Voltage	Finish
1215/2TR=Double Trim Ring	26=26"	P1S =Pendant Single Stem P1SAC =Pendant Single Stem with Aircraft Cable P3S =Pendant Three Stem PQP =Pendant Quad-Pod ¹ PSJCAC =Pendant Aircraft Cable with Clear SJ Cord PSJWAC =Pendant Aircraft Cable with White SJ Cord PTP =Pendant Tri-Pod ^{2,3}	26" CFL/3/27 CFL/3/32 CFL/6/27 CFL3/42 HAL/3/150 MP/3/39 MP/3/70	T5C/1/22^{2,3} T5C/1/40¹	120V 277V⁴ 347V⁴	Premium ALP =Aluminum Paint CC =Custom Color GNM =Gun Metal ⁵ NA =Natural Aluminum OBRS =Oxidized Brass ⁵ OCP =Oxidized Copper ⁵ PB =Polished Brass ⁵ PC =Polished Chrome ⁵ PCP =Polished Copper ⁵ PN =Polished Nickel ⁵ SAL =Lacquered Satin Aluminum SB =Satin Brass ⁵ SC =Satin Chrome ⁵ SCP =Satin Copper ⁵ Standard MW =Matte White
	36=36"					
Color	Pattern ⁷	Options	OA ¹³			
Custom Decorative Metals⁵ BPL =Black Pearl BRS =Brass CBT =Cabernet CLE =Chocolate CLR =Clear CMP =Champagne	CPR =Copper IDO =Indigo PWR =Pewter RBE =Royal Blue SGE =Sage SGN =Slate Green SPE =Sapphire	DL =Damp Location ⁹ DMA10 =Dimming Ballast (Advance Mark 10) ^{9,10} DMA7 =Dimming Ballast (Advance Mark 7) ^{9,10} DML =Dimming Ballast (Lutron) ^{9,10} FB =Hand Painted Faux Alabaster Bowl FF =Factory Fuse LNB =Hand Painted Faux Linen Bowl REM =Remote Emergency Battery ¹¹ SCA =Sloped Ceiling Adaptor ¹² SSW =Separate Switching	30" (OA) =26" Diameter ¹⁴ 36" (OA) =36" Diameter ¹⁴ 46" (OA) =44" Diameter ¹⁴			

NOTES: 1. Available in 44". 2. Available in 36". 3. Available in 26". 4. Available with CFL only. 5. Not available in 44" diameter. 6. Select a standard or premium finish for the stem (s) and canopy. Example: SGE (Sage color) - SMT (Smooth pattern) for bowl trim - SC (Satin Chrome) for the stem (s) and canopy. 7. Available with Custom Decorative Metal Finish only. 8. Interior applications only. 9. Not available in 27W. 10. For indirect pan only. T5 22 lamp; 40W (for bowl illumination) dimming ballast are not available. If bowl illumination requires dimming, contact the factory for a T5-55W MOD. 11. Supplied by others (not available with SJ Cord mounting). 12. Specify up to 45°. 13. Applies to 1S only. Refer to Spec Sheet under Suspension Options for OA's for alternative mountings. 14. Or specify.



1215/TTR SERIES

FEATURES

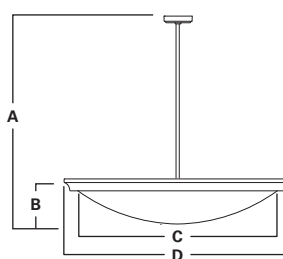
- High Performance Pendant Indirect/Direct Shallow Bowl with Trim Ring
- Painted or plated cold-rolled steel or aluminum with white acrylic bowl
- Integral electronic HPF, multi-volt 120/277V (347V Canada)
- Standard: Matte White; Premium: Contact factory for finishes
- Available with multiple mounting options
- Double Trim Ring or Traditional Trim Ring available in three diameters
- UL and CUL approved for interior and damp locations

Compliances may not apply to all product configurations. Please consult the product spec sheet for compliance details.

COMPLIANCES: UL/cUL Listed - Damp Location, ARRA Compliant



1215-TTR



Standard Sizes	A	B	C	D
26"	30"	5-3/4"	20-3/4"	26-1/8"
[660mm]	[762mm]	[146mm]	[527mm]	[664mm]
36"	36"	6-3/4"	30-3/4"	36-1/8"
[914mm]	[914mm]	[171mm]	[781mm]	[918mm]
44"	46"	8-3/4"	38-7/8"	44-1/8"
[1118mm]	[1168mm]	[222mm]	[987mm]	[1121mm]

ORDERING INFORMATION

SAMPLE NUMBER: 1215/TTR-26-PSJCAC-CFL/3/32/T5C/1/22-120V-OCPLNB-30

Series	Size	Mounting Type	Lamp	Lamp (Bowl)	Voltage	Finish	
1215/TTR=Traditional Trim Ring	26=26" 36=36" 44=44"	P1S=Pendant Single Stem P1SAC=Pendant Single Stem with Aircraft Cable P3S=Pendant Three Stem PQP=Pendant Quad-Pod ¹ PSJCAC=Pendant Aircraft Cable with Clear SJ Cord PSJWAC=Pendant Aircraft Cable with White SJ Cord PTP=Pendant Tri-Pod ^{2,3}	26" CFL/3/27 CFL/3/32 CFL/6/27 CFL/3/42 HAL/3/150 MP/3/39 MP/3/70 CFL/3/57 CFL/3/70 CFL/6/27 CFL/6/39 CFL/6/40 CFL/6/50 CFL/6/55 HAL/4/150 MP/4/150 MP/3/39 MP/3/70	36" CFL/3/27 CFL/3/32 CFL/3/39 CFL/3/40 CFL/3/42 CFL/3/50 CFL/3/55 CFL/4/70 CFL/8/27 CFL/8/39 CFL/8/40 CFL/8/50 CFL/8/55 HAL/4/150 MP/4/150 MP/4/70	T5C/1/22 ^{2,3} T5C/1/40 ¹	120V 277V ⁴ 347V ⁴	Premium ALP=Aluminum Paint CC=Custom Color GNM=Gun Metal ⁵ NA=Natural Aluminum OBRS=Oxidized Brass ⁵ OCP=Oxidized Copper ⁵ PB=Polished Brass ⁵ PC=Polished Chrome ⁵ PCP=Polished Copper ⁵ PN=Polished Nickel ⁵ SAL=Lacquered Satin Aluminum SB=Satin Brass ⁵ SC=Satin Chrome ⁵ SCP=Satin Copper ⁵ SN=Satin Nickel ⁵ Standard MW=Matte White
Color	Pattern ⁷	Options	OA ¹³				
Custom Decorative Metals⁶ BPL=Black Pearl BRS=Brass CBT=Cabernet CLE=Chocolate CLR=Clear CMP=Champagne	CPR=Copper IDO=Indigo PWR=Pewter RBE=Royal Blue SGE=Sage SGN=Slate Green SPE=Sapphire	DL=Damp Location ⁸ DMA10=Dimming Ballast (Advance Mark 10) ^{9,10} DMA7=Dimming Ballast (Advance Mark 7) ^{9,10} DML=Dimming Ballast (Lutron) ^{9,10} FB=Hand Painted Faux Alabaster Bowl FF=Factory Fuse LNB=Hand Painted Faux Linen Bowl REM=Remote Emergency Battery ¹¹ SCA=Sloped Ceiling Adaptor ¹² SSW=Separate Switching	30" (OA)=26" Diameter ¹⁴ 36" (OA)=36" Diameter ¹⁴ 46" (OA)=44" Diameter ¹⁴				

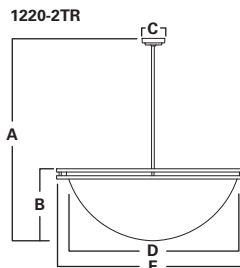
NOTES: 1. Available in 44". 2. Available in 36". 3. Available in 26". 4. Available with CFL only. 5. Not available in 44" diameter. 6. Select a standard or premium finish for the stem (s) and canopy. Example: SGE (Sage color) - SMT (Smooth pattern) for bowl trim - SC (Satin Chrome) for the stem (s) and canopy. 7. Available with Custom Decorative Metal Finish only. 8. Interior applications only. 9. Not available in 27W. 10. For indirect pan only. T5 22 lamp; 40W (for bowl illumination) dimming ballast are not available. If bowl illumination requires dimming, contact the factory for a T5-55W MOD. 11. Supplied by others (not available with SJ Cord mounting). 12. Specify up to 45". 13. Applies to 1S only. Refer to Spec Sheet under Suspension Options for OA's for alternative mountings. 14. Or specify.

FEATURES

- High Performance Pendant Indirect/Direct Deep Bowl with Trim Ring
- Painted or plated cold-rolled steel or aluminum with white acrylic bowl
- Integral electronic HPF, multi-volt 120/277V (347V Canada)
- Standard: Matte White; Premium: Contact factory for finishes
- Available with multiple mounting options
- Double Trim Ring or Traditional Trim Ring available in three diameters
- UL and CUL approved for interior and damp locations

Compliances may not apply to all product configurations. Please consult the product spec sheet for compliance details.

COMPLIANCES: UL/cUL Listed - Damp Location, ARRA Compliant, EISA Compliant



1220/2TR SERIES

Standard Sizes	A	B	C	D	E
26	30" [762mm]	10-1/2" [268mm]	5-1/2" [140mm]	20-1/2" [521mm]	26-1/8" [664mm]
36	36" [914mm]	13-1/2" [343mm]	5-1/2" [140mm]	30-3/8" [772mm]	36" [914mm]
44	46" [1168mm]	16-1/2" [419mm]	5-1/2" [140mm]	38-1/2" [978mm]	44-1/8" [1118mm]

ORDERING INFORMATION

SAMPLE NUMBER: 1220/2TR-44-P1SAC-CFL/4/39/T5C1/40-120V-PN-FB-46

Series	Size	Mounting Type	Lamp	Lamp (Bowl)	Downlight Lamp (Optional)		
1220/2TR=Double Trim Ring	26=26"	P1S =Pendant Single Stem P1SAC =Pendant Single Stem with Aircraft Cable P3S =Pendant Triple Stem PQP =Pendant Quad Pod ¹ PSJAC =Pendant Aircraft Cable with Clear SJ Cord PSJWAC =Pendant Aircraft Cable with White SJ Cord PTP =Pendant Tri-Pod ^{2,3}	26" CFL/3/27 CFL/3/32 CFL/3/42 CFL/6/27 HAL/3/150 MP/3/39 MP/3/70	36" CFL/3/27 CFL/3/32 CFL/3/39 CFL/3/40 CFL/3/42 CFL/3/50 CFL/3/55 CFL/3/57 CFL/3/70 CFL/6/27 CFL/6/39 CFL/6/40 CFL/6/50 CFL/6/55 HAL/3/150 MP/3/150 MP/3/39 MP/3/70	44" CFL/4/27 CFL/4/39 CFL/4/40 CFL/4/50 CFL/4/55 CFL/4/57 CFL/4/70 CFL/8/27 CFL/8/39 CFL/8/40 CFL/8/50 CFL/8/55 HAL/4/150 MP/1/175⁴ MP/1/250⁴ MP/1/400⁴ MP/4/150 MP/4/70	T5C/1/22^{2,3} T5C/1/40¹	MR16H/1/50^{2,3} MR16MH/1/20^{2,3} MR16MH/1/39^{2,3} PAR20MH/1/20 PAR20MH/1/39 PAR30LMH/1/39^{2,1} PAR30LMH/1/70^{2,1}
	36=36"						
Voltage	Finish	Custom Decorative Materials ⁷	Pattern ⁸	Options	OA ¹⁵		
120V 277V ⁵ 347V ⁵	Premium ALP =Aluminum Paint CC =Custom Color GNM =Gun Metal ⁶ NA =Natural Aluminum OBRS =Oxidized Brass ⁶ OCP =Oxidized Copper ⁶ PB =Polished Brass ⁶ PC =Polished Chrome ⁶ PCP =Polished Copper ⁶ PN =Polished Nickel ⁶ SAL =Lacquered Satin Aluminum SB =Satin Brass ⁶ SC =Satin Chrome ⁶ SCP =Satin Copper ⁶ SN =Satin Nickel ⁶ Standard MW =Matte White	BPL =Black Pearl BRS =Brass CBT =Cabernet CLE =Chocolate CLR =Clear CMP =Champagne CPR =Copper IDO =Indigo PWR =Pewter RBE =Royal Blue SGE =Sage SGN =Slate Green SPE =Sapphire	COL =Coral SHL =Seashell SMT =Smooth	D =Downlight ⁹ DL =Damp Location ¹⁰ DMA10 =Dimming Ballast (Advance Mark 10) ^{11,12} DMA7 =Dimming Ballast (Advance Mark 7) ^{11,12} DML =Dimming Ballast (Lutron) ^{11,12} FB =Hand Painted Faux Alabaster Bowl FF =Factory Fuse LNB =Hand Painted Faux Linen Bowl REM =Remote Emergency Battery ¹³ SCA =Sloped Ceiling Adaptor ¹⁴ SSW =Separate Switching	30" (OA) =26" Diameter ¹⁶ 36" (OA) =36" Diameter ¹⁶ 46" (OA) =44" Diameter ¹⁶		

NOTES: 1. Available in 44". 2. Available in 36". 3. Available in 26". 4. Ballast supplied by others. 5. Available with CFL only. 6. Not available in 44" diameter. 7. Select a standard or premium finish for the stem (s) and canopy. Example: SGE (Sage color) - SMT (Smooth pattern) for bowl trim - SC (Satin Chrome) for the stem (s) and canopy. 8. Available with Custom Decorative Metal Finish only. 9. For Downlight option, please select desired downlight lamp. 10. Interior applications only. 11. Not available in 27W. 12. For indirect pan only. T5 22 lamp; 40W (for bowl illumination) dimming ballast are not available. If bowl illumination requires dimming, contact the factory for a T5-55W MOD. 13. Supplied by others (not available with SJ Cord mounting). 14. Specify up to 45°. 15. Applies to 1S only. Refer to Spec Sheet under Suspension Options for OA's for alternative mountings. 16. Or specify.



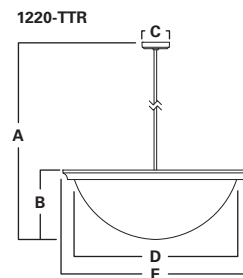
1220/TTR SERIES

FEATURES

- High Performance Pendant Indirect/Direct Deep Bowl with Trim Ring
- Painted or plated cold-rolled steel or aluminum; white acrylic bowl
- Integral electronic HPF, multi-volt 120/277V (347V Canada)
- Standard: Matte White; Premium: Contact factory for finishes
- Available with multiple mounting options
- Double Trim Ring or Traditional Trim Ring available in three diameters
- UL and CUL approved for interior and damp locations

Compliances may not apply to all product configurations. Please consult the product spec sheet for compliance details.

COMPLIANCES: UL/cUL Listed - Damp Location, ARRA Compliant, EISA Compliant



Standard Sizes	A	B	C	D	E
26	30" [762mm]	10-1/2" [267mm]	5-1/2" [140mm]	20-1/2" [521mm]	26-1/8" [664mm]
36	36" [914mm]	13-1/2" [343mm]	5-1/2" [140mm]	30-3/8" [772mm]	36" [914mm]
44	46" [1168mm]	16-1/2" [419mm]	5-1/2" [140mm]	38-1/2" [978mm]	44-1/8" [1118mm]

ORDERING INFORMATION

SAMPLE NUMBER: 1220/TTR-36-P3S-CFL/3/42/T5C/1/40-120V-SAL-CPR/SHL-36

Series	Size	Mounting Type	Lamp	Lamp (Bowl)	Downlight Lamp (Optional)		
1220/TTR=Traditional Trim Ring	26=26" 36=36" 44=44"	P1S=Pendant Single Stem P1SAC=Pendant Single Stem with Aircraft Cable P3S=Pendant Triple Stem PQP=Pendant Quad Pod ¹ PSJCAC=Pendant Aircraft Cable with Clear SJ Cord PSJWAC=Pendant Aircraft Cable with White SJ Cord PTP=Pendant Tri-Pod ^{2,3}	26" CFL/3/27 CFL/3/32 CFL/3/39 CFL/3/42 CFL/6/27 HAL/3/150 MP/3/70	36" CFL/3/27 CFL/3/32 CFL/3/39 CFL/3/40 CFL/4/55 CFL/3/50 CFL/3/55 CFL/3/57 CFL/3/70 CFL/6/27 CFL/6/39 CFL/6/40 CFL/6/50 CFL/6/55 HAL/3/150 MP/3/150 MP/3/39 MP/3/70	44" CFL/4/27 CFL/4/39 CFL/4/40 CFL/4/50 CFL/4/57 CFL/4/70 CFL/8/27 CFL/8/39 CFL/8/40 CFL/8/50 CFL/8/55 HAL/4/150 MP/1/175 ⁴ MP/1/250 ⁴ MP/1/400 ⁴ MP/4/150 MP/4/70	T5C/1/22 ^{2,3} T5C/1/40 ¹	MR16H/1/50 ^{2,3} MR16MH/1/20 ^{2,3} MR16MH/1/39 ^{2,3} PAR20MH/1/20 PAR20MH/1/39 PAR30LMH/1/39 ^{2,1} PAR30LMH/1/70 ^{2,1}
Voltage	Finish	Custom Decorative Materials ⁷	Pattern ⁸	Options	OA ¹⁵		
120V 277V ⁵ 347V ⁵	Premium ALP=Aluminum Paint CC=Custom Color GNM=Gun Metal ⁶ NA=Natural Aluminum OBRS=Oxidized Brass ⁶ OCP=Oxidized Copper ⁶ PB=Polished Brass ⁶ PC=Polished Chrome ⁶ PCP=Polished Copper ⁶ PN=Polished Nickel ⁶ SAL=Lacquered Satin Aluminum SB=Satin Brass ⁶ SC=Satin Chrome ⁶ SCP=Satin Copper ⁶ SN=Satin Nickel ⁶ Standard MW=Matte White	BPL=Black Pearl BRS=Brass CBT=Cabernet CLE=Chocolate CLR=Clear CMP=Champagne CPR=Copper IDO=Indigo PWR=Pewter RBE=Royal Blue SGE=Sage SGN=Slate Green SPE=Sapphire	COL=Coral SHL=Seashell SMT=Smooth	D=Downlight ⁹ DL=Damp Location ¹⁰ DMA10=Dimming Ballast (Advance Mark 10) ^{11,12} DMA7=Dimming Ballast (Advance Mark 7) ^{11,12} DML=Dimming Ballast (Lutron) ^{11,12} FB=Hand Painted Faux Alabaster Bowl FF=Factory Fuse LNB=Hand Painted Faux Linen Bowl REM=Remote Emergency Battery ¹³ SCA=Sloped Ceiling Adaptor ¹⁴ SSW=Separate Switching	30" (OA)=26" Diameter ¹⁵ 36" (OA)=36" Diameter ¹⁶ 46" (OA)=44" Diameter ¹⁶		

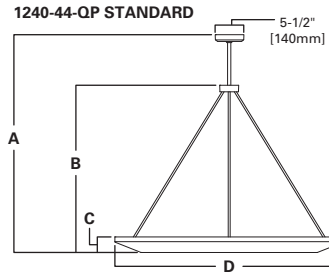
NOTES: 1. Available in 44". 2. Available in 36". 3. Available in 26". 4. Ballast supplied by others. 5. Available with CFL only. 6. Not available in 44" diameter. 7. Select a standard or premium finish for the stem (s) and canopy. Example: SGE (Sage color) - SMT (Smooth pattern) for bowl trim - SC (Satin Chrome) for the stem (s) and canopy. 8. Available with Custom Decorative Metal Finish only. 9. For Downlight option, please select desired downlight lamp. 10. Interior applications only. 11. Not available in 27W. 12. For indirect pan only, T5 22 lamp; 40W (for bowl illumination) dimming ballast are not available. If bowl illumination requires dimming, contact the factory for a T5-55W MOD. 13. Supplied by others (not available with SJ Cord mounting). 14. Specify up to 45". 15. Applies to 1S only. Refer to Spec Sheet under Suspension Options for OA's for alternative mountings. 16. Or specify.

FEATURES

- High Performance Pendant Indirect Tapered Flat Pan
- Solid painted and plated cold-rolled steel or natural aluminum
- Integral electronic HPF, multi-volt 120/277V (347V Canada)
- Standard: Matte White; Premium: Contact factory for finishes
- Available with multiple mounting options and pan styles
- Optional with Open or Frosted Glass center bottom
- UL and CUL approved for interior and damp locations

Compliances may not apply to all product configurations. Please consult the product spec sheet for compliance details.

COMPLIANCES: UL/cUL Listed - Damp Location, ARRA Compliant



1240 SERIES

Standard Sizes	A	B	C	D
26	30" [762mm]	19-1/4" [489mm]	3" [76mm]	26-1/8" [665mm]
36	36" [914mm]	25-1/2" [648mm]	3" [76mm]	36" [914mm]
44	42" [1067mm]	32-1/4" [820mm]	3" [76mm]	44-1/8" [1124mm]

ORDERING INFORMATION

SAMPLE NUMBER: 1240-36-P1SAC-CFL/6/39-277V-SCP-FF-38

Series	Size	Mounting Type	Lamp	Voltage	Finish		
1240=Solid Bottom	26=26"	P1S=Pendant Single Stem ¹	26"	120V 277V ² 347V ²	Premium ALP=Aluminum Paint CC=Custom Color GNM=Gun Metal ³ NA=Natural Aluminum OBRS=Oxidized Brass ³ OCP=Oxidized Copper ³ PB=Polished Brass ³ PC=Polished Chrome ³		
	36=36"	P1SAC=Pendant Single Stem with Aircraft Cable ¹	CFL/3/27			CFL/3/27	PN=Polished Nickel ³ SAL=Lacquered Satin Aluminum SB=Satin Brass ³ SC=Satin Chrome ³ SCP=Satin Copper ³ SN=Satin Nickel ³
	44=44"	P3S=Pendant Triple Stem ¹	CFL/6/27			CFL/3/39	Standard MW=Matte White
		PQP=Pendant Quad-Pod	CFL/3/40				
		PSJCAC=Pendant Aircraft Cable with Clear SJ Cord	CFL/3/50				
		PSJWAC=Pendant Aircraft Cable with White SJ Cord	CFL/3/55				
		PTP=Pendant Tri-Pod	CFL/6/27				
			CFL/6/39				
			CFL/6/40				
			CFL/6/50				
			CFL/6/55				
			CFL/8/27				
			CFL/8/39				
			CFL/8/40				
			CFL/8/50				
			CFL/8/55				
Color	Pattern ⁵	Options	OA ¹⁰				
Custom Decorative Metals⁴ BPL=Black Pearl BRS=Brass CBT=Cabernet CLE=Chocolate CLR=Clear CMP=Champagne	CPR=Copper IDO=Indigo PWR=Pewter RBE=Royal Blue SGE=Sage SGN=Slate Green SPE=Sapphire	COL=Coral SHL=Seashell SMT=Smooth DL=Damp Location ⁶ DMA10=Dimming Ballast (Advance Mark 10) ⁷ DMA7=Dimming Ballast (Advance Mark 7) ⁷ DML=Dimming Ballast (Lutron) ⁷ FF=Factory Fuse OB=Open Bottom Pan OBG=Open Bottom Pan with Frosted Glass REM=Remote Emergency Battery ⁸ SCA=Sloped Ceiling Adaptor ⁹ SSW=Separate Switching	30" (OA)=26" Diameter ¹¹ 36" (OA)=36" Diameter ¹¹ 42" (OA)=44" Diameter				

NOTES: 1. Available in Solid Bottom only. 2. Available with CFL only. 3. Not available in 44" diameter. 4. Select a standard or premium finish for the stem (s) canopy. Example: SGE (Sage color) - SMT (Smooth) pattern for pan and SC (Satin Chrome) for the stem (s) and canopy. 5. Available with Custom Decorative Metal Finish only. 6. Interior applications only. 7. Not available in 27W. 8. Supplied by others (not available with SJ Cord mounting). 9. Specify up to 45°. 10. Applies to Tri-Pod or Quad-Pod only. Refer to Spec Sheet under Suspension Options for OA's for alternative mountings. 11. Or specify.



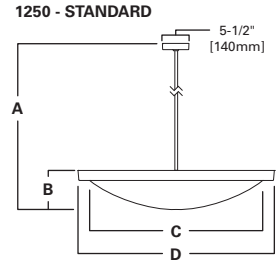
1250 SERIES

FEATURES

- High Performance Pendant Indirect/Direct Shallow Bowl
- Painted or plated cold- rolled steel or aluminum; white acrylic bowl
- Integral electronic HPF, multi-volt 120/277V (347V Canada)
- Standard: Matte White; Premium: Contact factory for finishes
- Available with multiple mounting options
- Multiple Trim Ring options available in three diameters
- UL and CUL approved for interior and damp locations

Compliances may not apply to all product configurations. Please consult the product spec sheet for compliance details.

COMPLIANCES: UL/cUL Listed - Damp Location, ARRA Compliant, EISA Compliant



Standard Sizes	A	B	C	D
26	28" [711mm]	5-3/4" [140mm]	20-7/8" [530mm]	26-1/8" [664mm]
36	32" [813mm]	6-3/4" [171mm]	30-3/4" [781mm]	36-1/8" [918mm]
44	42" [1067mm]	8-3/4" [222mm]	38-7/8" [987mm]	44-1/8" [1121mm]

ORDERING INFORMATION

SAMPLE NUMBER: 1250-26-P1S-CFL/3/39/T5C/1/22-120V-SB-CBT/SMT-28

Series	Size	Mounting Type	Lamp	Lamp (Bowl)	Voltage	Finish	
1250	26=26"	P1S =Pendant Single Stem P1SAC =Pendant Single Stem with Aircraft Cable P3S =Pendant Triple Stem PQP =Pendant Quad-Pod ¹ PSJAC =Pendant Aircraft Cable with Clear SJ Cord PSJWAC =Pendant Aircraft Cable with White SJ Cord PTP =Pendant Tri-Pod ^{2,3}	26"	T5C/1/22^{2,3}	120V 277V⁴ 347V⁴	Premium ALP =Aluminum Paint CC =Custom Color GNM =Gun Metal ⁵ NA =Natural Aluminum OBRS =Oxidized Brass ⁵ OC =Oxidized Copper ⁵ PB =Polished Brass ⁵ PC =Polished Chrome ⁵ PCP =Polished Copper ⁵ PN =Polished Nickel ⁵ SAL =Lacquered Satin Aluminum SB =Satin Brass ⁵ SC =Satin Chrome ⁵ SCP =Satin Copper ⁵ SN =Satin Nickel ⁵ Standard MW =Matte White	
	36=36"		CFL/3/27	CFL/3/27			CFL/4/27
	44=44"		CFL/3/32	CFL/3/32			CFL/4/39
			CFL/3/42	CFL/3/39			CFL/4/40
			CFL/6/27	CFL/3/40			CFL/4/50
			HAL/3/150	CFL/3/42			CFL/4/55
			MP/3/39	CFL/3/50			CFL/4/57
			MP/3/70	CFL/3/55			CFL/4/70
				CFL/3/57			CFL/8/27
				CFL/3/70			CFL/8/39
				CFL/6/27			CFL/8/40
				CFL/6/39			CFL/8/50
				CFL/6/40			CFL/8/55
				CFL/6/50			HAL/4/150
		CFL/6/55	MP/4/150				
		HAL/3/150	MP/4/70				
		MP/3/150					
		MP/3/39					
		MP/3/70					
Color	Pattern ⁷	Options	OA ¹³				
Custom Decorative Metals⁶ BPL =Black Pearl BRS =Brass CBT =Cabernet CLE =Chocolate CLR =Clear CMP =Champagne CPR =Copper IDO =Indigo PWR =Pewter RBE =Royal Blue SGE =Sage SGN =Slate Green SPE =Sapphire	COL =Coral SHL =Seashell SMT =Smooth	DL =Damp Location ⁸ DMA10 =Dimming Ballast (Advance Mark 10) ^{9,10} DMA7 =Dimming Ballast (Advance Mark 7) ^{9,10} DML =Dimming Ballast (Lutron) ^{9,10} FB =Hand Painted Faux Alabaster Bowl FF =Factory Fuse LNB =Hand Painted Faux Linen Bowl REM =Remote Emergency Battery ¹¹ SCA =Sloped Ceiling Adaptor ¹² SSW =Separate Switching	28" =26" Diameter ¹⁴ 32" =36" Diameter ¹⁴ 42" =44" Diameter ¹⁴				

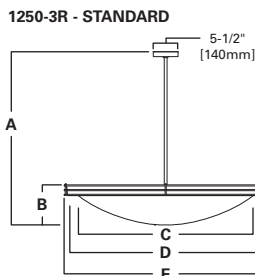
NOTES: 1. Available in 44". 2. Available in 36". 3. Available in 26". 4. Available with CFL only. 5. Not available in 44" diameter. 6. Select a standard or premium finish for the stem (s) and canopy. Example: SGE (Sage color) - SMT (Smooth pattern) for bowl trim - SC (Satin Chrome) for the stem (s) and canopy. 7. Available with Custom Decorative Metal Finish only. 8. Interior applications only. 9. Not available in 27V. 10. For indirect pan only, T5 22 lamp; 40W (for bowl illumination) dimming ballast are not available. If bowl illumination requires dimming, contact the factory for a T5-55W MOD. 11. Supplied by others (not available with SJ Cord mounting). 12. Specify up to 45". 13. Applies to 1S only. Refer to Spec Sheet under Suspension Options for OA's for alternative mountings. 14. Or specify.

FEATURES

- High Performance Pendant Indirect/Direct Shallow Bowl with 3-Rod Trim
- Painted or plated cold-rolled steel or aluminum; white acrylic bowl
- Integral electronic HPF, multi-volt 120/277V (347V Canada)
- Standard: Matte White; Premium: Contact factory for finishes
- Available with multiple mounting options
- Brass, aluminum or cold-rolled steel floating trim rods
- UL and CUL approved for interior and damp locations

Compliances may not apply to all product configurations. Please consult the product spec sheet for compliance details.

COMPLIANCES: UL/cUL Listed - Damp Location, ARRA Compliant, EISA Compliant



1250/3R SERIES

Standard Sizes	A	B	C	D	E
26	28" [711mm]	5-7/8" [149mm]	20-7/8" [530mm]	26-1/8" [664mm]	27-1/4" [692mm]
36	32" [813mm]	6-7/8" [175mm]	30-3/4" [781mm]	36-1/8" [918mm]	37-1/4" [946mm]
44	42" [1067mm]	8-7/8" [225mm]	38-7/8" [987mm]	44-1/8" [1121mm]	45-1/4" [1149mm]

ORDERING INFORMATION

SAMPLE NUMBER: 1250/3R-44-P1SAC-CFL/8/39/T5C/1/40-120V-SC-BPL/COL-44

Series	Size	Mounting Type	Lamp	Voltage	Lamp (Bowl)	Finish
1250/3R=Three Floating Rods	26=26"	P1S =Pendant Single Stem P1SAC =Pendant Single Stem with Aircraft Cable P3S =Pendant Triple Stem PQP =Pendant Quad-Pod ¹ PSJCAC =Pendant Aircraft Cable with Clear SJ Cord PSJWAC =Pendant Aircraft Cable with White SJ Cord PTP =Pendant Tri-Pod ^{2,3}	26" CFL/3/27 CFL/3/32 CFL/3/42 CFL/6/27 HAL/3/150 MP/3/39 MP/3/70	120V 277V⁴ 347V⁴	T5C/1/22^{2,3} T5C/1/40¹	Premium ALP =Aluminum Paint CC =Custom Color GNM =Gun Metal ⁵ NA =Natural Aluminum OBRS =Oxidized Brass ⁵ OCP =Oxidized Copper ⁵ PB =Polished Brass ⁵ PC =Polished Chrome ⁵ PCP =Polished Copper ⁵ PN =Polished Nickel ⁵ SAL =Lacquered Satin Aluminum SB =Satin Brass ⁵ SC =Satin Chrome ⁵ SCP =Satin Copper ⁵ SN =Satin Nickel ⁵ Standard MW =Matte White
	36=36"		36" CFL/3/27 CFL/3/32 CFL/3/39 CFL/3/40 CFL/3/42 CFL/3/50 CFL/3/55 CFL/3/57 CFL/3/70 CFL/6/27 CFL/6/39 CFL/6/40 CFL/6/50 CFL/6/55 HAL/4/150 MP/4/150 MP/3/150 MP/3/39 MP/3/70			
Color		Pattern ⁷	Options		OA ¹³	
Custom Decorative Metals⁵ BPL =Black Pearl BRS =Brass CBT =Cabernet CLE =Chocolate CLR =Clear CMP =Champagne CPR =Copper IDO =Indigo PWR =Pewter RBE =Royal Blue SGE =Sage SGN =Slate Green SPE =Sapphire		COL =Coral SHL =Seashell SMT =Smooth	DL =Damp Location ⁸ DMA10 =Dimming Ballast (Advance Mark 10) ^{9,10} DMA7 =Dimming Ballast (Advance Mark 7) ^{9,10} DML =Dimming Ballast (Lutron) ^{9,10} FB =Hand Painted Faux Alabaster Bowl FF =Factory Fuse LNB =Hand Painted Faux Linen Bowl REM =Remote Emergency Battery ¹¹ SCA =Sloped Ceiling Adaptor ¹² SSW =Separate Switching		28" =26" Diameter ¹⁴ 32" =36" Diameter ¹⁴ 42" =44" Diameter ¹⁴	

NOTES: 1. Available in 44". 2. Available in 36". 3. Available in 26". 4. Available with CFL only. 5. Not available in 44" diameter. 6. Select a standard or premium finish for the stem (s) and canopy. Example: SGE (Sage color) - SMT (Smooth pattern) for bowl trim - SC (Satin Chrome) for the stem (s) and canopy. 7. Available with Custom Decorative Metal Finish only. 8. Interior applications only. 9. Not available in 27W. 10. For indirect pan only. T5 22 lamp; 40W (for bowl illumination) dimming ballast are not available. If bowl illumination requires dimming, contact the factory for a T5-55W MOD. 11. Supplied by others (not available with SJ Cord mounting). 12. Specify up to 45". 13. Applies to 1S only. Refer to Spec Sheet under Suspension Options for OA's for alternative mountings. 14. Or specify.



1250/ATR SERIES

FEATURES

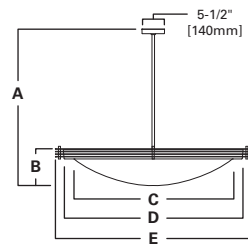
- High Performance Pendant Indirect/Direct Shallow Bowl; Acrylic Rings
- Painted or plated cold-rolled steel or aluminum; white acrylic bowl
- Integral electronic HPF, multi-volt 120/277V (347V Canada)
- Standard: Matte White; Premium: Contact factory for finishes
- Available with multiple mounting options
- Acrylic Trim Rings over base trim
- UL and CUL approved for interior and damp locations

Compliances may not apply to all product configurations. Please consult the product spec sheet for compliance details.

COMPLIANCES: UL/cUL Listed - Damp Location, ARRA Compliant, EISA Compliant



1250 - ATR - STANDARD



Standard Sizes	A	B	C	D	E
26	28" [711mm]	6" [152mm]	20-7/8" [530mm]	26-1/8" [664mm]	30" [762mm]
36	32" [813mm]	6-7/8" [175mm]	30-3/4" [781mm]	36-1/8" [918mm]	40" [1016mm]
44	42" [1067mm]	9" [229mm]	38-7/8" [987mm]	44-1/8" [1121mm]	48" [1219mm]

ORDERING INFORMATION

SAMPLE NUMBER: 1250/ATR-36-P3S-CFL/6/50/T5C/1/40-277V-PC-34

Series	Size	Mounting Type	Lamp	Lamp (Bowl)	Voltage	Finish
1250/ATR=Acrylic Trim Rings	26=26"	P1S =Pendant Single Stem P1SAC =Pendant Single Stem with Aircraft Cable P3S =Pendant Triple Stem PQP =Pendant Quad-Pod ¹ PSJAC =Pendant Aircraft Cable with Clear SJ Cord PSJWAC =Pendant Aircraft Cable with White SJ Cord PTP =Pendant Tri-Pod ^{2,3}	26"	T5C/1/22 ^{2,3} T5C/1/40 ¹	120V 277V ⁴ 347V ⁴	Premium ALP =Aluminum Paint CC =Custom Color GNM =Gun Metal ⁵ NA =Natural Aluminum OBRS =Oxidized Brass ⁵ OCP =Oxidized Copper ⁵ PB =Polished Brass ⁵ PC =Polished Chrome ⁵ PCP =Polished Copper ⁵ PN =Polished Nickel ⁵ SAL =Lacquered Satin Aluminum SB =Satin Brass ⁵ SC =Satin Chrome ⁵ SCP =Satin Copper ⁵ SN =Satin Nickel ⁵ Standard MW =Matte White
	36=36"		CFL/3/27 CFL/3/27 CFL/4/27 CFL/3/32 CFL/3/32 CFL/4/39 CFL/6/27 CFL/3/39 CFL/4/40 CFL/3/42 CFL/3/40 CFL/4/50 HAL/3/150 CFL/3/42 CFL/4/55 MP/3/39 CFL/3/50 CFL/4/57 MP/3/70 CFL/3/55 CFL/4/70 CFL/3/57 CFL/8/27 CFL/3/70 CFL/8/39 CFL/6/27 CFL/8/40 CFL/6/39 CFL/8/50 CFL/6/40 CFL/8/55 CFL/6/50 HAL/4/150 CFL/6/55 MP/4/150 HAL/3/150 MP/4/70 MP/3/150 MP/3/39 MP/3/70			
Color	Pattern ⁷	Options	OA ¹³			
Custom Decorative Metals ⁶ BPL =Black Pearl BRS =Brass CBT =Cabernet CLE =Chocolate CLR =Clear CMP =Champagne CPR =Copper IDO =Indigo PWR =Pewter RBE =Royal Blue SGE =Sage SGN =Slate Green SPE =Sapphire	COL =Coral SHL =Seashell SMT =Smooth	DL =Damp Location ⁸ DMA10 =Dimming Ballast (Advance Mark 10) ^{9,10} DMA7 =Dimming Ballast (Advance Mark 7) ^{9,10} DML =Dimming Ballast (Lutron) ^{9,10} FB =Hand Painted Faux Alabaster Bowl FF =Factory Fuse LNB =Hand Painted Faux Linen Bowl REM =Remote Emergency Battery ¹¹ SCA =Sloped Ceiling Adaptor ¹² SSW =Separate Switching	28" =26" Diameter ¹⁴ 32" =36" Diameter ¹⁴ 42" =44" Diameter ¹⁴			

NOTES: 1. Available in 44". 2. Available in 36". 3. Available in 26". 4. Available with CFL only. 5. Not available in 44" diameter. 6. Select a standard or premium finish for the stem (s) and canopy. Example: SGE (Sage color) - SMT (Smooth pattern) for bowl trim - SC (Satin Chrome) for the stem (s) and canopy. 7. Available with Custom Decorative Metal Finish only. 8. Interior applications only. 9. Not available in 27W. 10. For indirect pan only, T5 22 lamp; 40W (for bowl illumination) dimming ballast are not available. If bowl illumination requires dimming, contact the factory for a T5-55W MOD. 11. Supplied by others (not available with SJ Cord mounting). 12. Specify up to 45". 13. Applies to 1S only. Refer to Spec Sheet under Suspension Options for OA's for alternative mountings. 14. Or specify.

FEATURES

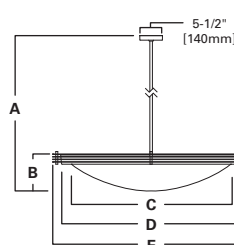
- High Performance Pendant Indirect/Direct Shallow Bowl with Solid Trims
- Painted or plated cold-rolled steel or aluminum with white acrylic bowl
- Integral electronic HPF, multi-volt 120/277V (347V Canada)
- Standard: Matte White; Premium: Contact factory for finishes
- Available with multiple mounting options
- Solid cold-rolled steel, brass or aluminum solid metal trim rings
- UL and CUL approved for interior and damp locations

Compliances may not apply to all product configurations. Please consult the product spec sheet for compliance details.

COMPLIANCES: UL/cUL Listed - Damp Location, ARRA Compliant, EISA Compliant



1250 - STR - STANDARD



1250/STR SERIES

Standard Sizes	A	B	C	D	E
26	28" [711mm]	6" [152mm]	20-7/8" [530mm]	26-1/8" [664mm]	30" [762mm]
36	32" [813mm]	6-7/8" [175mm]	30-3/4" [781mm]	36-1/8" [918mm]	40" [1016mm]
44	42" [1067mm]	9" [229mm]	38-7/8" [987mm]	44-1/8" [1121mm]	48" [1219mm]

ORDERING INFORMATION

SAMPLE NUMBER: 1250/STR-36-PSJWAC-CFL/6/27/T5C/1/40-120V-SN-FB-36

Series	Size	Mounting Type	Lamp	Lamp (Bowl)	Voltage	Finish		
1250/STR=Solid Trim Rings	26=26"	P1S =Pendant Single Stem P1SAC =Pendant Single Stem with Aircraft Cable P3S =Pendant Triple Stem PQP =Pendant Quad-Pod ¹ PSJCAC =Pendant Aircraft Cable with Clear SJ Cord PSJWAC =Pendant Aircraft Cable with White SJ Cord PTP =Pendant Tri-Pod ^{2,3}	26" CFL/3/27 CFL/3/32 CFL/6/27 CFL/3/42 HAL/3/150 MP/3/39 MP/3/70	36" CFL/3/27 CFL/3/32 CFL/3/39 CFL/3/40 CFL/3/42 CFL/3/50 CFL/3/55 CFL/3/57 CFL/3/70 CFL/6/27 CFL/6/39 CFL/6/40 CFL/6/50 CFL/6/55 HAL/3/150 MP/3/150 MP/3/39 MP/3/70	44" CFL/4/27 CFL/4/39 CFL/4/40 CFL/4/50 CFL/4/55 CFL/4/57 CFL/4/70 CFL/8/27 CFL/8/39 CFL/8/40 CFL/8/50 CFL/8/55 HAL/4/150 MP/4/150 MP/4/70	T5C/1/22 ^{2,3} T5C/1/40 ¹	120V 277V ⁴ 347V ⁴	Premium ALP =Aluminum Paint CC =Custom Color GNM =Gun Metal ⁵ NA =Natural Aluminum OBRS =Oxidized Brass ⁵ OCP =Oxidized Copper ⁵ PB =Polished Brass ⁵ PC =Polished Chrome ⁵ PCP =Polished Copper ⁵ PN =Polished Nickel ⁵ SAL =Lacquered Satin Aluminum SB =Satin Brass ⁵ SC =Satin Chrome ⁵ SCP =Satin Copper ⁵ SN =Satin Nickel ⁵ Standard MW =Matte White
	36=36" 44=44"							
Color		Pattern ⁷	Options			OA ¹³		
Custom Decorative Metals ⁶ BPL =Black Pearl BRS =Brass CBT =Cabernet CLE =Chocolate CLR =Clear CMP =Champagne CPR =Copper IDO =Indigo PWR =Pewter RBE =Royal Blue SGE =Sage SGN =Slate Green SPE =Sapphire		COL =Coral SHL =Seashell SMT =Smooth	DL =Damp Location ⁸ DMA10 =Dimming Ballast (Advance Mark 10) ^{9,10} DMA7 =Dimming Ballast (Advance Mark 7) ^{9,10} DML =Dimming Ballast (Lutron) ^{9,10} FB =Hand Painted Faux Alabaster Bowl FF =Factory Fuse LNB =Hand Painted Faux Linen Bowl REM =Remote Emergency Battery ¹¹ SCA =Sloped Ceiling Adaptor ¹² SSW =Separate Switching			28" =26" Diameter ¹⁴ 32" =36" Diameter ¹⁴ 42" =44" Diameter ¹⁴		

NOTES: 1. Available in 44". 2. Available in 36". 3. Available in 26". 4. Available with CFL only. 5. Not available in 44" diameter. 6. Select a standard or premium finish for the stem (s) and canopy. Example: SGE (Sage color) - SMT (Smooth pattern) for bowl trim - SC (Satin Chrome) for the stem (s) and canopy. 7. Available with Custom Decorative Metal Finish only. 8. Interior applications only. 9. Not available in 27W. 10. For indirect pan only. T5 22 lamp; 40W (for bowl illumination) dimming ballast are not available. If bowl illumination requires dimming, contact the factory for a T5-55W MOD. 11. Supplied by others (not available with SJ Cord mounting). 12. Specify up to 45°. 13. Applies to 1S only. Refer to Spec Sheet under Suspension Options for OA's for alternative mountings. 14. Or specify.



1270 SERIES

FEATURES

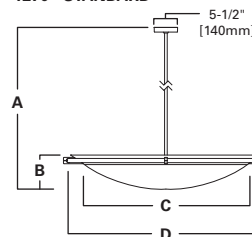
- High Performance Pendant Indirect Solid Shallow Bowl; Floating Trim
- Painted and plated cold-rolled steel or natural aluminum
- Integral electronic HPF, multi-volt 120/277V (347V Canada)
- Standard: Matte White; Premium: Contact factory for finishes
- Available with multiple mounting options
- Floating Trim Ring bowl is available in three diameters
- UL and CUL approved for interior and damp locations

Compliances may not apply to all product configurations. Please consult the product spec sheet for compliance details.

COMPLIANCES: UL/cUL Listed - Damp Location, ARRA Compliant



1270 - STANDARD



Standard Sizes	A	B	C	D
26	28" [711mm]	5-3/8" [137mm]	21-1/8" [536mm]	28-1/2" [724mm]
36	32" [813mm]	6-7/8" [175mm]	31-1/8" [810mm]	38-3/4" [972mm]
44	42" [1067mm]	8" [203mm]	39-7/8" [1012mm]	47" [1194mm]

ORDERING INFORMATION

SAMPLE NUMBER: 1270-P1SAC-36-CFL/6/40-120V-SC-DMA10-34

Series	Size	Mounting Type	Lamp	Voltage	Finish
1270=Solid Bowl with Floating Trim	26=26" 36=36" 44=44"	P1S=Pendant Single Stem P1SAC=Pendant Single Stem with Aircraft Cable P3S=Pendant Triple Stem PQP=Pendant Quad-Pod ¹ PSJCAC=Pendant Aircraft Cable with Clear SJ Cord PSJWAC=Pendant Aircraft Cable with White SJ Cord PTP=Pendant Tri-Pod ²	26" 44" CFL/3/27 CFL/4/27 CFL/6/27 36" CFL/3/27 CFL/4/39 CFL/6/27 CFL/3/39 CFL/4/55 CFL/8/27 CFL/8/39 CFL/8/40 CFL/8/50 CFL/8/50 CFL/8/50 CFL/8/55 CFL/6/39 CFL/6/40 CFL/6/50 CFL/6/55	120V 277V ³ 347V ³	Premium ALP=Aluminum Paint CC=Custom Color GNM=Gun Metal ⁴ NA=Natural Aluminum OBRS=Oxidized Brass ⁴ OCP=Oxidized Copper ⁴ PB=Polished Brass ⁴ PC=Polished Chrome ⁴ PCP=Polished Copper ⁴ PN=Polished Nickel ⁴ SAL=Lacquered Satin Aluminum SB=Satin Brass ⁴ SC=Satin Chrome ⁴ SCP=Satin Copper ⁴ SN=Satin Nickel ⁴ Standard MW=Matte White
Color	Pattern ⁶	Options	OA ¹¹		
Custom Decorative Metals ⁵ BPL=Black Pearl BRS=Brass CBT=Cabernet CLE=Chocolate CLR=Clear CMP=Champagne	CPR=Copper IDO=Indigo PWR=Pewter RBE=Royal Blue SGE=Sage SGN=Slate Green SPE=Sapphire	DL=Damp Location ⁷ DMA10=Dimming Ballast (Advance Mark 10) ⁸ DMA7=Dimming Ballast (Advance Mark 7) ⁸ DML=Dimming Ballast (Lutron) ⁸ FF=Factory Fuse REM=Remote Emergency Battery ⁹ SCA=Sloped Ceiling Adaptor ¹⁰ SSW=Separate Switching	28"=26" Diameter ¹² 32"=36" Diameter ¹² 42"=44" Diameter ¹²		

NOTES: 1. Available in 44". 2. Standard with 26" *AND* 36" diameter. 3. Available with CFL only. 4. Not available in 44" diameter. 5. Select a standard or premium finish for the stem (s) and canopy. Example: SGE (Sage color) - SMT (Smooth pattern) for solid bowl - SC (Satin Chrome) for the stem(s) and canopy. 6. Available with Custom Decorative Metal Finish only. 7. Interior applications only. 8. Not available in 27W. 9. Supplied by others (not available with SJ Cord mounting). 10. Specify up to 45°. 11. Applies to 1S only. Refer to Spec Sheet under Suspension Options for OA's for alternative mountings. 12. Or specify.

FEATURES

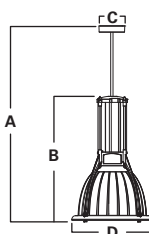
- High Performance Pendant Decorative Hi-Bay Luminaire
- The housing is cast and extruded aluminum; steel or aluminum mounting
- Integral CFL electronic HPF, multi-volt 120/277V (347V Canada)
- Standard: Natural Aluminum; Premium: Contact factory for finishes
- Universal circle strap to standard 4" J-Box or plaster ring
- Spun aluminum direct or indirect Optic Shroud
- Optional direct Reflector with Optic Shroud or Clear Glass Refractors
- UL and CUL approved for interior locations

Compliances may not apply to all product configurations. Please consult the product spec sheet for compliance details.

COMPLIANCES: UL/cUL Listed, ARRA Compliant, EISA Compliant



1300-1S*
(SINGLE STEM)



1300-P SERIES

Standard Sizes	A	B	C	D
14" [356mm]	36" [914mm]	20-1/4" [514mm]	5-1/2" [140mm]	14" [356mm]
18" [457mm]	42" [1067mm]	27" [686mm]	5-1/2" [140mm]	17-3/8" [441mm]

*Note: Above Drawing is shown with Glass Refractor (GR) optic.

ORDERING INFORMATION

SAMPLE NUMBER: 1300-18-P1S-14-SJCAC-MP/1/100-120V-NA-CLR-COL-M-OS-48

Series	Size	Mounting Type	Lamp	Voltage	Finish	Color ^{2,3,4}	
1300	14=14" 18=18"	P1S=Pendant Single Stem PSJCAC=Pendant Aircraft Cable with Clear SJ Cord PSJWAC=Pendant Aircraft Cable with White SJ Cord	14" CFL/1/26 CFL/1/32 CFL/1/42 CFL/2/26 CFL/2/32 CFL/2/42 HAL/1/250 INC/1/200 MP/1/100 MP/1/100/OB MP/1/39 MP/1/50 MP/1/50/OB MP/1/70 MP/1/70/OB	18" CFL/2/26 CFL/2/32 CFL/2/42 CFL/4/26 CFL/4/32 MP/1/100 MP/1/100/ OB MP/1/175 MP/1/175/ OB MP/1/250 MP/1/250/ OB	120V 277V 347V ¹	Premium ALP=Aluminum Paint BM=Bronze Metallic Paint CC=Custom Color MW=Matte White Standard NA=Natural Aluminum	Custom Decorative Metals BPL=Black Pearl BRS=Brass CBT=Cabernet CLE=Chocolate CLR=Clear CMP=Champagne CPR=Copper IDO=Indigo PWR=Pewter RBE=Royal Blue SGE=Sage SGN=Slate Green SPE=Sapphire
Pattern ^{2,4}	Distribution (ROS-MP, HAL, INC lamps only)	Optics	Options	OA			
COL=Coral SHL=Seashell	M=Medium N=Narrow WD=Wide	GR=Glass Refractor GR/INOS=Glass Refractor with Indirect Optic Shroud ⁵ GR/OS=Glass Refractor with Optic Shroud ⁵ OS=Optic Shroud ⁵ ROS=Reflector Optic Shroud ^{5,6}	CGL=Clear Glass Lens ⁷ DML=Dimming Ballast (Lutron) ¹ FBW=Faux Blonde Wood ⁴ FCW=Faux Cherry Wood ⁴ FGS=Frosted Glass Lens QR=Quartz Restrike REM=Remote Emergency Battery ⁸ SCA=Sloped Ceiling Adaptor ⁹	36"=14" Diameter ¹⁰ 42"=18" Diameter ¹⁰			

NOTES: 1. Available with CFL only. 2. Available with Custom Decorative Metal Finish only. 3. Select a standard or premium finish for all components of the fixture (except shroud). Example: (SGE Sage color) - SHL (Seashell pattern) for the shroud and NA (Natural Aluminum) for all other components of the fixture. 4. Available for shroud only. 5. Optic shroud, Perf Shield Covers and/or hardware are always supplied in Natural Aluminum (shroud is matte aluminum), unless otherwise specified. 6. ROS (Reflector Optic Shroud) is only available with HAL, INC and MH lamping options. 7. Supplied as standard with all fixtures, except for Open Burn specifications. 8. Supplied by others (not available with SJ Cord mounting). 9. Specify 22° to 45°. 10. Or specify.



FEATURES

- The housing is cast and extruded aluminum; Steel or aluminum mounting
- Integral CFL electronic HPF, multi-volt 120/277V (347V Canada)
- Standard Natural Aluminum finish
- Special-order premium finishes
- Supplied with 11 gauge cold-rolled steel mounting plate
- Spun aluminum direct or indirect Optic Shroud
- Optional direct Reflector with Optic Shroud or Clear Glass Refractors
- UL and CUL approved for interior locations

Compliances may not apply to all product configurations. Please consult the product spec sheet for compliance details.
COMPLIANCES: UL/cUL Listed, ARRA Compliant, EISA Compliant



**1300-FSS2F
 SERIES**

ORDERING INFORMATION

SAMPLE NUMBER: 1300-14-PFSS3F-CFL/1/42-120V-NA-CLR/COL-M-GR/INOS-48

Series	Size	Mounting Type	Lamp	Voltage	Finish	Color ^{2,3,4}
1300	14=14"	PFSS2F=Four Stem Suspended Double Luminaire PFSS3F=Four Stem Suspended Triple Luminaire PFSS4F=Four Stem Suspended Four Luminaire	14"	120V 277V 347V ¹	Premium ALP=Aluminum Paint BM=Bronze Metallic Paint CC=Custom Color MW=Matte White Standard NA=Natural Aluminum	Custom Decorative Metals BPL=Black Pearl BRS=Brass CBT=Cabernet CLE=Chocolate CLR=Clear CMP=Champagne CPR=Copper IDO=Indigo PWR=Pewter RBE=Royal Blue SGE=Sage SGN=Slate Green SPE=Sapphire
	18=18"		CFL/1/26 CFL/1/32 CFL/1/42 CFL/2/26 CFL/2/32 CFL/2/42 HAL/1/250 INC/1/200 MP/1/100 MP/1/100/OB MP/1/39 MP/1/50 MP/1/50/OB MP/1/70 MP/1/70/OB			
Pattern^{2,4}		Distribution (MP, HAL, INC lamps only)	Optics	Options		OA
COL=Coral SHL=Seashell		M=Medium N=Narrow WD=Wide	GR=Glass Refractor GR/INOS=Glass Refractor with Indirect Optic Shroud ⁵ GR/OS=Glass Refractor with Optic Shroud ⁵ OS=Optic Shroud ⁵ ROS=Reflector Optic Shroud ^{5,6}	CGL=Clear Glass Lens ⁷ DML=Dimming Ballast (Lutron) ¹ FBW=Faux Blonde Wood ⁴ FCW=Faux Cherry Wood ⁴ FGS=Frosted Glass Lens QR=Quartz Restrike REM=Remote Emergency Battery ⁸ SCA=Sloped Ceiling Adaptor ⁹		36"=14" Diameter ¹⁰ 42"=18" Diameter ¹⁰

NOTES: 1. Available with CFL only. 2. Available with Custom Decorative Metal Finish only. 3. Select a standard or premium finish for all components of the fixture (except shroud). Example: (SGE Sage color) - SHL (Seashell pattern) for the shroud and NA (Natural Aluminum) for all other components of the fixture. 4. Available for shroud only. 5. Optic shroud, Perf Shield Covers and/or hardware are always supplied in Natural Aluminum (shroud is matte aluminum), unless otherwise specified. 6. ROS (Reflector Optic Shroud) is only available with HAL, INC and MH lamping options. 7. Supplied as standard with all fixtures, except for Open Burn specifications. 8. Supplied by others. 9. Specify up to 45°. 10. Or specify.

ALTERNATE MATERIALS AND FINISHES

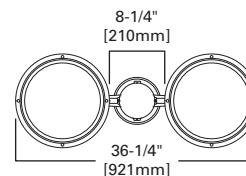
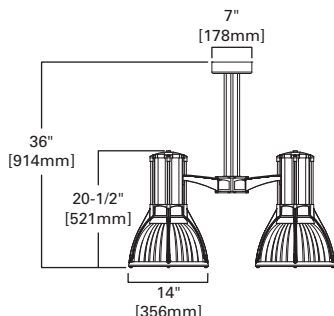


1300-18-FSS4F



1300-18-FSS3F

**1300-14-FSS2F* (FOUR STEM
 SUSPENDED DOUBLE MULTI-FIXTURE)
 (SUSPENDED TRIPLE AND FOUR MULTI-FIXTURES AVAILABLE)**



*Note: All above drawings are shown with Glass Refractor (GR) optic.
 18" Ø versions available.

Specifications and dimensions subject to change without notice. Consult your Cooper Lighting Representative or visit www.cooperlighting.com for available options, accessories and ordering information.

FEATURES

- The housing is cast and extruded aluminum; Steel or aluminum mounting
- Integral CFL electronic HPF, multivolt 120/277V (347V Canada)
- Standard Natural Aluminum finish
- Special-order premium finishes and materials
- Mounting bracket installs to a standard 4" J-box
- Spun aluminum direct or indirect Optic Shroud
- Optional direct Reflector with Optic Shroud or Clear Glass Refractors
- UL and CUL approved for damp locations

Compliances may not apply to all product configurations. Please consult the product spec sheet for compliance details.
COMPLIANCES: UL/cUL Listed - Damp Location, ARRA Compliant, EISA Compliant



1300-S SERIES



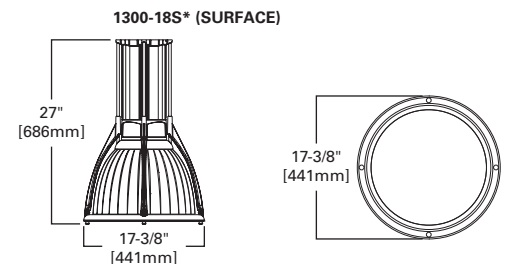
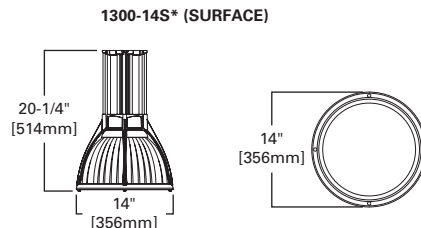
ORDERING INFORMATION

SAMPLE NUMBER: 1300-18-S-MP/1/100-120V-BM-N-GR/OS-FBW

Series	Size	Mounting Type	Lamp		Voltage	Finish	Color ^{2,3,4,5}
1300	14=14" 18=18"	S=Surface	14"	18"	120V 277V 347V ¹	Premium ALP=Aluminum Paint BM=Bronze Metallic Paint CC=Custom Color MW=Matte White Standard NA=Natural Aluminum ²	Custom Decorative Metals BPL=Black Pearl BRS=Brass CBT=Cabernet CLE=Chocolate CLR=Clear CMP=Champagne CPR=Copper IDO=Indigo PWR=Pewter RBE=Royal Blue SGE=Sage SGN=Slate Green SPE=Sapphire
			CFL/1/26 CFL/1/32 CFL/1/42 CFL/2/26 CFL/2/32 CFL/2/42 HAL/1/250 INC/1/200 MP/1/100 MP/1/100/OB MP/1/175 MP/1/175/OB MP/1/39 MP/1/50 MP/1/50/OB MP/1/70 MP/1/70/OB	CFL/2/26 CFL/2/32 CFL/2/42 CFL/4/26 CFL/4/32 CFL/4/42 MP/1/100 MP/1/100/OB MP/1/175 MP/1/175/OB MP/1/250 MP/1/250/OB			
Pattern^{2,3,5}		Distribution (MP, HAL, INC lamps only)		Optics		Options	
COL=Coral SHL=Seashell		M=Medium N=Narrow WD=Wide		GR=Glass Refractor GR/INOS=Glass Refractor with Indirect Optic Shroud ⁶ GR/OS=Glass Refractor with Optic Shroud ⁶ OS=Optic Shroud ⁶ ROS=Reflector Optic Shroud ^{6,7}		CGL=Clear Glass Lens ⁸ DL=Damp Location ⁹ DML=Dimming Ballast (Lutron) ¹ FBW=Faux Blonde Wood ^{2,5} FCW=Faux Cherry Wood ^{2,5} FGS=Frosted Glass Lens QR=Quartz Restrike REM=Remote Emergency Battery ¹⁰	

NOTES: 1. Available with CFL only. 2. Interior applications only. 3. Available with Custom Decorative Metal Finish only. 4. Select a standard or premium finish for all components of the fixture (except shroud). Example: (SGE Sage color) - SHL (Seashell pattern) for the shroud and NA (Natural Aluminum) for all other components of the fixture. 5. Available for shroud only. 6. Optic shroud, Perf Shield Covers and/or hardware are always supplied in Natural Aluminum (shroud is matte aluminum), unless otherwise specified. 7. ROS (Reflector Optic Shroud) is only available with HAL, INC and MH lamping options. 8. Supplied as standard with all fixtures, except for Open Burn specifications. 9. Fixture must have a painted finish for damp location applications. 10. Supplied by others.

ALTERNATE MATERIALS AND FINISHES



*Note: All above drawings are shown with Glass Refractor (GR) optic.





FEATURES

- High Performance Arm Wall Mount Decorative Hi-Bay Luminaire
- The housing is cast and extruded aluminum; steel or aluminum mounting
- Integral CFL electronic HPF, multi-volt 120/277V (347V Canada)
- Standard: Natural Aluminum; Premium: Contact factory for finishes
- 10-gauge cold-rolled steel mounting plate, steel cable (DLAW and ILAW)
- Spun aluminum direct or indirect Optic Shroud
- Optional direct Reflector with Optic Shroud or Clear Glass Refractors
- UL and CUL for interior locations

Compliances may not apply to all product configurations. Please consult the product spec sheet for compliance details.
COMPLIANCES: UL/cUL Listed, ARRA Compliant, EISA Compliant



1300-DLAW SERIES

ORDERING INFORMATION

SAMPLE NUMBER: 1300-14-ISAW-MP/1/39-120V-ALP-W-GR/INOS

Series	Size	Mounting Types	Lamp	Voltage	Finish	Color ^{2,3,4}
1300	14=14"	DLAW =Direct Large Arm Wall Mount ILAW =Indirect Large Arm Wall Mount ISAW =Indirect Small Arm Wall Mount WP/DSAW =Wet Location - Direct Small Arm Wall	14" CFL/1/26 CFL/1/32 CFL/1/42 CFL/2/26 CFL/2/32 CFL/2/42 HAL/1/250 INC/1/200 MP/1/100 MP/1/100/OB MP/1/139 MP/1/50 MP/1/50/OB MP/1/70 MP/1/70/OB	120V 277V 347V¹	Premium ALP =Aluminum Paint BM =Bronze Metallic Paint CC =Custom Color MW =Matte White Standard NA =Natural Aluminum	Custom Decorative Metals BPL =Black Pearl BRS =Brass CBT =Cabernet CLE =Chocolate CLR =Clear CMP =Champagne CPR =Copper IDO =Indigo PWR =Pewter RBE =Royal Blue SGE =Sage SGN =Slate Green SPE =Sapphire
	18=18"		18" CFL/2/26 CFL/2/32 CFL/2/42 CFL/4/26 CFL/4/32 CFL/4/42 MP/1/100 MP/1/100/OB MP/1/175 MP/1/175/OB MP/1/250 MP/1/250/OB			
Pattern ^{2,3,4}		Distribution (MP, HAL, INC lamps only)	Optics	Options		
COL =Coral SHL =Seashell		M =Medium N =Narrow WD =Wide	GR =Glass Refractor GR/INOS =Glass Refractor with Indirect Optic Shroud ⁵ GR/OS =Glass Refractor with Optic Shroud ⁵ OS =Optic Shroud ⁵ ROS =Reflector Optic Shroud ^{5,6}	CGL =Clear Glass Lens ⁷ DML =Dimming Ballast (Lutron) ¹ FBW =Faux Blonde Wood ⁴ FCW =Faux Cherry Wood ⁴ FGS =Frosted Glass Lens QR =Quartz Restrike REM =Remote Emergency Battery ⁸		

NOTES: 1. Available with CFL only. 2. Available with Custom Decorative Metal Finish only. 3. Select a standard or premium finish for all components of the fixture (except shroud). Example: (SGE Sage color) - SHL (Seashell pattern) for the shroud and NA (Natural Aluminum) for all other components of the fixture. 4. Available for shroud only. 5. Optic shroud, Perf Shield Covers and/or hardware are always supplied in Natural Aluminum (shroud is matte aluminum), unless otherwise specified. 6. ROS (Reflector Optic Shroud) is only available with HAL, INC and MH lamping options. 7. Supplied as standard with all fixtures, except for Open Burn specifications. 8. Supplied by others.

ALTERNATE MATERIALS AND FINISHES



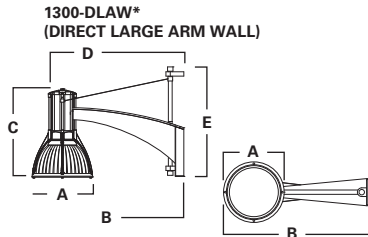
1300-14-DSAWB



1300-14-DSAWB-CC



1300-14-ILAWB



Standard Sizes	A	B	C	D	E
1300-14-DLAW	14" Ø [355mm]	35" [889mm]	20-1/2" [520mm]	28" [711mm]	25-1/4" [641mm]
1300-18-DLAW	17-3/8" Ø [441mm]	44-3/4" [1136mm]	27-1/4" [692mm]	36" [914mm]	33-1/4" [845mm]

* Note: All above drawings are shown with Glass Refractor (GR) optic. See spec sheet for other options.

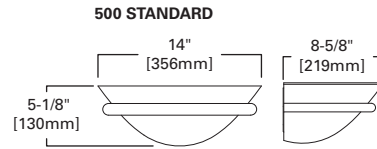
Specifications and dimensions subject to change without notice. Consult your Cooper Lighting Representative or visit www.cooperlighting.com for available options, accessories and ordering information.

FEATURES

- Cold rolled steel white mounting plate; brass, steel or aluminum trim
- Integral electronic HPF, multi-volt 120/277V (347V Canada)
- Standard Natural Aluminum finish
- Mounting plate; integral tenon to standard 4" J-box or plaster ring
- Glass Starfire White bowl is standard
- Various glass colors and faux finish options available
- Available with a variety of trim and finial options
- UL and CUL approved for interior locations

Compliances may not apply to all product configurations. Please consult the product spec sheet for compliance details.

COMPLIANCES: UL/cUL Listed, ARRA Compliant



500 SERIES

ORDERING INFORMATION

SAMPLE NUMBER: 500-W-CFL/1/26-277V-OCP-GSMF

Series	Mounting Type	Lamp	Voltage	Finish	Glass Finish	Options	
500=Aero Interior Wall	W=Wall Mount	CFL/1/18 CFL/1/26 CFL/1/32 CFL/1/42 INC/1/75	120V 277V ¹ 347V ¹	Premium CC=Custom Color GNM=Gun Metal MW=Matte White OBRS=Oxidized Brass OCP=Oxidized Copper PB=Polished Brass PC=Polished Chrome PCP=Polished Copper Standard NA=Natural Aluminum	PN=Polished Nickel SAL=Lacquered Satin Aluminum SB=Satin Brass SC=Satin Chrome SCP=Satin Copper SN=Satin Nickel Standard NA=Natural Aluminum	Premium GSF=Glass Starfire Fawn GSMF=Glass Starfire Marble Fawn GSMW=Glass Starfire Marble White Standard GSW=Glass Starfire White	ACB=Accent Balls DMA10=Dimming Ballast (Advance Mark 10) ¹ DMA7=Dimming Ballast (Advance Mark 7) ¹ DML=Dimming Ballast (Lutron) ^{1,2} REM=Remote Emergency Battery ³ TRX=Trim Rings with "X" Emblem

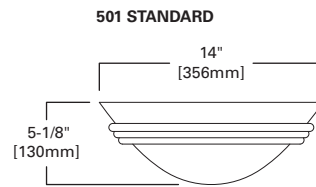
NOTES: 1. Available with CFL only. 2. Not available with CFL/1/42W lamping. 3. Supplied by others.

FEATURES

- Steel painted white mounting plate; brass, steel or aluminum trim
- Integral electronic HPF, multi-volt 120/277V (347V Canada)
- Standard Natural Aluminum finish
- Mounting plate; integral tenon to standard 4" J-box or plaster ring
- Glass Starfire White bowl is standard
- Various glass colors, faux finish and trim options available
- UL and CUL approved for interior locations

Compliances may not apply to all product configurations. Please consult the product spec sheet for compliance details.

COMPLIANCES: UL/cUL Listed, ARRA Compliant



501 SERIES

ORDERING INFORMATION

SAMPLE NUMBER: 501-W-CFL/1/32-277V-SN-GSMW-TRCR-DMA7

Series	Mounting Type	Lamp	Voltage	Finish	Glass Finish	Options	
501=Alfresco Interior Wall	W=Wall Mount	CFL/1/18 CFL/1/26 CFL/1/32 CFL/1/42 INC/1/75	120V 277V ¹ 347V ¹	Premium CC=Custom Color GNM=Gun Metal MW=Matte White OBRS=Oxidized Brass OCP=Oxidized Copper PB=Polished Brass PC=Polished Chrome PCP=Polished Copper PN=Polished Nickel Standard NA=Natural Aluminum	SAL=Lacquered Satin Aluminum SB=Satin Brass SC=Satin Chrome SCP=Satin Copper SN=Satin Nickel Standard NA=Natural Aluminum	Premium GSF=Glass Starfire Fawn GSMF=Glass Starfire Marble Fawn GSMW=Glass Starfire Marble White Standard GSW=Glass Starfire White	DMA10=Dimming Ballast (Advance Mark 10) ¹ DMA7=Dimming Ballast (Advance Mark 7) ¹ DML=Dimming Ballast (Lutron) ^{1,2} REM=Remote Emergency Battery ³ TRCR=Trim Ring with Cross Strap

NOTES: 1. Available with CFL only. 2. Not available with CFL/1/42W lamping. 3. Supplied by others.



506 SERIES

FEATURES

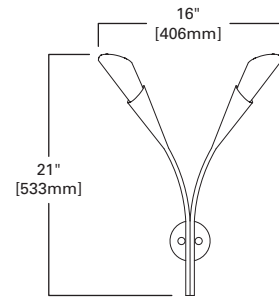
- Brass, copper, steel or aluminum stems and body
- 120V: 50W T-5 (mini-can) Xelogen or 60W (G9) pinched quartz lamp
- Standard Matte White finish
- Special-order premium finishes
- Mounting plate with integral tenon to standard 4" J-box or plaster ring
- Glass Cones are Frosted White Glass
- UL and CUL approved for interior locations

Compliances may not apply to all product configurations. Please consult the product spec sheet for compliance details.

COMPLIANCES: UL/cUL Listed, ARRA Compliant



506 - TWO ARM STANDARD

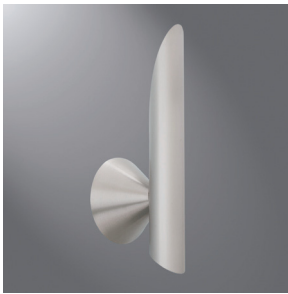


ORDERING INFORMATION

SAMPLE NUMBER: 506/3-W-HAL/1/60-120V-OBRS-GFW

Series	Mounting Type	Lamp	Voltage	Finish	Glass Finish	
506/2=Chinchilla Interior Wall - 2 Arm 506/3=Chinchilla Interior Wall - 3 Arm	W=Wall Mount	HAL/1/60' XEL/1/50'	120V	Premium CC=Custom Color GNM=Gun Metal OBRS=Oxidized Brass OCP=Oxidized Copper PB=Polished Brass PC=Polished Chrome PCP=Polished Copper	PN=Polished Nickel SB=Satin Brass SC=Satin Chrome SCP=Satin Copper SN=Satin Nickel Standard MW=Matte White	Standard GFW=Glass Frosted White

NOTES: 1. Two or three lamp total.



526 SERIES

FEATURES

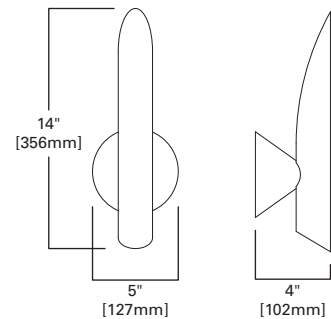
- Brass, steel or aluminum construction
- Integral electronic HPF, 120V ballast
- Standard Natural Aluminum finish
- Special-order premium finishes
- Mounting plate with integral tenon to standard 4" J-box or plaster ring
- Cold-rolled steel, powder coat white, mounting plate
- UL and CUL approved for interior locations. ADA compliant

Compliances may not apply to all product configurations. Please consult the product spec sheet for compliance details.

COMPLIANCES: UL/cUL Listed, ARRA Compliant, ADA Compliant



526 STANDARD



ORDERING INFORMATION

SAMPLE NUMBER: 526-W-HAL/1/60-120V-GNM

Series	Mounting Type	Lamp	Voltage	Finish
526=Phosphor Interior Wall	W=Wall Mount	CFL/1/9 HAL/1/60 XEL/1/50	120V	Premium CC=Custom Color GNM=Gun Metal MW=Matte White OBRS=Oxidized Brass OCP=Oxidized Copper PB=Polished Brass PC=Polished Chrome PCP=Polished Copper

- PN=Polished Nickel
- SAL=Lacquered Satin Aluminum
- SB=Satin Brass
- SC=Satin Chrome
- SCP=Satin Copper
- SN=Satin Nickel
- Standard**
- NA=Natural Aluminum

FEATURES

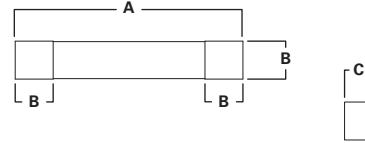
- Interior Wall Luminous Vanity Luminaire
- Aluminum or steel end caps and an aluminum body
- Integral electronic HPF, multi-volt 120/277V (347V Canada)
- Standard: Natural Aluminum; Premium: Contact factory for finishes
- Universal mounting back for a standard 3" plaster ring or switch-box
- UL and CUL approved for interior and damp locations; ADA compliant

Compliances may not apply to all product configurations. Please consult the product spec sheet for compliance details.

COMPLIANCES: UL/cUL Listed - Damp Location, ARRA Compliant, ADA Compliant



600 - STANDARD



Standard Sizes	A	B	C
24	24" [610mm]	4" [102mm]	4" [102mm]
36	36" [914mm]	4" [102mm]	4" [102mm]



600 SERIES

ORDERING INFORMATION

SAMPLE NUMBER: 600-24-W-T5/2/14-120V-SAL

Series	Size	Mounting Type	Lamp	Voltage	Finish	Options
600 =Luminous Square Vanity	24 =24" 36 =36"	W =Wall Mount	T5/2/14 ¹ T5/2/21 ²	120V 277V 347V	Premium ALP =Aluminum Paint BM =Bronze Metallic Paint CC =Custom Color GM =Gold Metallic Paint GNM =Gun Metal MW =Matte White OCP =Oxidized Copper PC =Polished Chrome Standard NA =Natural Aluminum	PCP =Polished Copper PN =Polished Nickel SAL =Lacquered Satin Aluminum SB =Satin Brass SC =Satin Chrome SCP =Satin Copper SN =Satin Nickel SSS =Satin Stainless Steel DL =Damp Location ³ DML =Dimming Ballast (Lutron) ⁴ LND =Hand Painted Faux Linen Diffuser REM =Remote Emergency Battery ⁵

NOTES: 1. Available in 24". 2. Available in 36". 3. Interior applications only. 4. Only Lutron dimming ballasts are available. 5. Supplied by others.

FEATURES

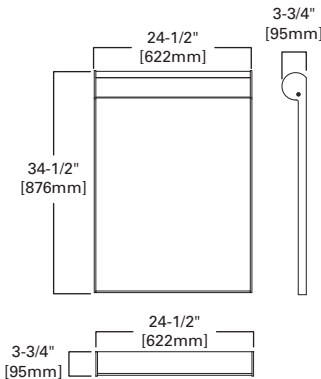
- Interior Wall Mirror with Integral Lamps Luminaire
- Extruded aluminum lamp housing with extruded prismatic acrylic lens
- Integral electronic HPF, multi-volt 120/277V (347V Canada)
- Standard: Natural Aluminum; Premium: Contact factory for finishes
- Housing: Supplied with four (4) 1/4" bolt holes for secure installation
- Provided with one or more universal circle straps (mirror by others)
- UL and CUL approved for interior and damp locations; ADA compliant

Compliances may not apply to all product configurations. Please consult the product spec sheet for compliance details.

COMPLIANCES: UL/cUL Listed - Damp Location, ARRA Compliant, ADA Compliant



601 - 34 HORIZONTAL



601 SERIES

ORDERING INFORMATION

SAMPLE NUMBER: 601V-34-W-T8/2/17-120V-ALP-SH4

Series	Size	Mounting Type	Lamp	Voltage	Finish	Options
601H =Horizontal Mirror Luminaire	Horizontal 34 =34"	W =Wall Mount	Horizontal Lamp T8/1/17 ¹	120V 277V 347V	Premium ALP =Aluminum Paint BM =Bronze Metallic Paint CC =Custom Color GM =Gold Metallic Paint GNM =Gun Metal MW =Matte White OBR =Oxidized Brass OCP =Oxidized Copper PB =Polished Brass PC =Polished Chrome	PCP =Polished Copper PN =Polished Nickel SAL =Lacquered Satin Aluminum SB =Satin Brass SC =Satin Chrome SCP =Satin Copper SN =Satin Nickel Standard NA =Natural Aluminum
601V =Vertical Mirror Luminaire	Vertical 24 =24" 36 =36" 48 =48"		Vertical Lamp T8/2/17 ² T8/2/25 ³ T8/2/32 ⁴			DL =Damp Location ⁵ DMA10 =Dimming Ballast (Advance Mark 10) ⁶ DMA7 =Dimming Ballast (Advance Mark 7) ⁶ RCP =Integral Grounded GFI receptacle. REM =Remote Emergency Battery ⁷ SH4 =4" Shelf-Vertical only SH6 =6" Shelf-Vertical only

NOTES: 1. Available in 34". 2. Available in 24". 3. Available in 36". 4. Available in 48". 5. Interior applications only. 6. Available with T8/2/17W (601-V-24) T8/1/17W (601-H-34) only. 7. Supplied by others.

Specifications and dimensions subject to change without notice. Consult your Cooper Lighting Representative or visit www.cooperlighting.com for available options, accessories and ordering information.



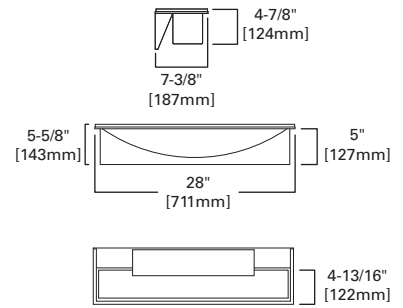
603 SERIES

FEATURES

- Interior Wall Luminous Vanity Luminaire
- Painted or plated cold-rolled steel, brass or copper base metal
- Integral electronic HPF, multi-volt 120/277V (347V Canada-except 13W)
- Standard: Matte White; Premium: Contact factory for finishes
- Universal mounting back for a standard 4" J-box or plaster ring
- One mounting hole at the ends to provide secure attachment to wall
- UL and CUL approved for interior and damp locations

Compliances may not apply to all product configurations. Please consult the product spec sheet for compliance details.

COMPLIANCES: UL/cUL Listed - Damp Location, ARRA Compliant



ORDERING INFORMATION

SAMPLE NUMBER: 603-W-CFL/4/13-120V-SCP

Series	Mounting Type	Lamp	Voltage	Finish	Options
603=Luminous Vanity Wall	W=Wall Mount	CFL/4/13 INC/2/75	120V 277V ¹	Premium ALP=Aluminum Paint BM=Bronze Metallic Paint CC=Custom Color GM=Gold Metallic Paint GNM=Gun Metal OCP=Oxidized Copper PB=Polished Brass PC=Polished Chrome	PCP=Polished Copper PN=Polished Nickel SB=Satin Brass SC=Satin Chrome SCP=Satin Copper SN=Satin Nickel Standard MW=Matte White

NOTES: 1. Available with CFL only. 2. Interior applications only. 3. Supplied by others.



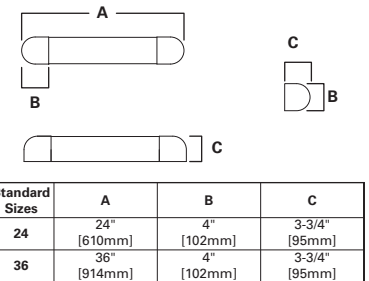
604 SERIES

FEATURES

- Interior Wall Luminous Vanity Luminaire
- Stamped steel end caps and an aluminum body
- Integral electronic HPF, multi-volt 120/277V (347V Canada)
- Standard: Matte White; Premium: Contact factory for finishes
- Universal mounting back for standard 3" plaster ring or switch-box
- Extruded matte white acrylic diffuser
- UL and CUL approved for interior and damp locations. ADA compliant

Compliances may not apply to all product configurations. Please consult the product spec sheet for compliance details.

COMPLIANCES: UL/cUL Listed - Damp Location, ARRA Compliant, ADA Compliant



ORDERING INFORMATION

SAMPLE NUMBER: 604-24-W-T5/2/14-277V-DML

Series	Size	Mounting Type	Lamp	Voltage	Finish	Options
604=Luminous Vanity	24=24" 36=36"	W=Wall Mount	T5/2/14 ¹ T5/2/21 ²	120V 277V 347V	Premium ALP=Aluminum Paint BM=Bronze Metallic Paint CC=Custom Color GM=Gold Metallic Paint GNM=Gun Metal OCP=Oxidized Copper PB=Polished Brass PC=Polished Chrome	PCP=Polished Copper PN=Polished Nickel SB=Satin Brass SC=Satin Chrome SCP=Satin Copper SN=Satin Nickel Standard MW=Matte White

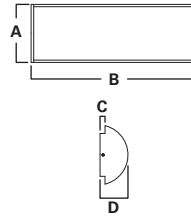
NOTES: 1. Available in 24". 2. Available in 36". 3. Interior applications only. 4. Supplied by others.

Specifications and dimensions subject to change without notice. Consult your Cooper Lighting Representative or visit www.cooperlighting.com for available options, accessories and ordering information.

FEATURES

- Interior Wall Luminous Vanity Luminaire
- Painted or plated solid aluminum with extruded white acrylic panel
- Integral electronic HPF, multi-volt 120/277V (347V Canada)
- Standard: Natural Aluminum; Premium: Contact factory for finishes
- Universal circular strap for a standard 4" J-box or plaster ring
- Decorative options: perforated metal, colored acrylic trim bars
- Optional Hand-painted Faux Alabaster or Faux Linen diffuser
- UL and CUL approved for interior and damp locations; ADA compliant

Compliances may not apply to all product configurations. Please consult the product spec sheet for compliance details.
COMPLIANCES: UL/cUL Listed - Damp Location, ARRA Compliant, ADA Compliant



605 SERIES

Standard Sizes	A	B	C	D
25	8-3/8" [213mm]	25" [635mm]	3/4" [19mm]	4" [102mm]
30	8-3/8" [213mm]	30" [762mm]	3/4" [19mm]	4" [102mm]
37	8-3/8" [213mm]	37" [940mm]	3/4" [19mm]	4" [102mm]
49"	8-3/8" [213mm]	49" [1245mm]	3/4" [19mm]	4" [102mm]

ORDERING INFORMATION

SAMPLE NUMBER: 605-37-W-T5/2/21-277V-SN-FP

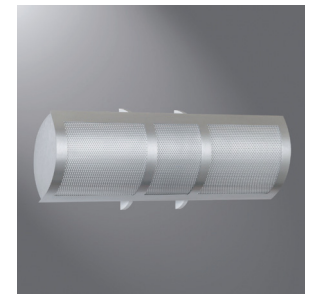
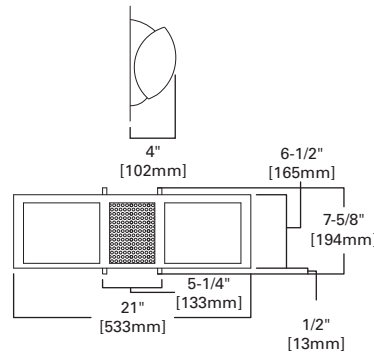
Series	Size	Mounting Type	Lamp	Voltage	Finish	Options
605=Luminous Sconce	25=25" 30=30" 37=37" 49=49"	W=Wall Mount	CFL/2/40 ¹ T5/2/14 ² T5/2/21 ³ T5/2/28 ⁴ T8/2/25 ³ T8/2/32 ⁴	120V 277V 347V	Premium ALP=Aluminum Paint BM=Bronze Metallic Paint CC=Custom Color GM=Gold Metallic Paint GNM=Gun Metal MW=Matte White OBRS=Oxidized Brass OCP=Oxidized Copper PB=Polished Brass PC=Polished Chrome	<p>PCP=Polished Copper PN=Polished Nickel SAL=Lacquered Satin Aluminum SB=Satin Brass SC=Satin Chrome SCP=Satin Copper SN=Satin Nickel</p> <p>Standard NA=Natural Aluminum</p> <p>2HTB=Two Horizontal Trim Bars 2HTB/2CTVB=Two Horizontal and Center Vertical Trim Bars 2HTB/CBC=Two Horizontal Trim Bars withCobalt Blue Center 2HTB/PC=Two Horizontal Trim Bars withPerforated Center 2VTB=Two Vertical Trim Bars 2VTB/CBP=Two Vertical Trim Bars withCobalt Blue Panel 2VTB/PE=Two Vertical Trim Bars withPerforated Ends DL=Damp Location⁵ DML=Dimming Ballast (Lutron)⁵ FP=Hand Painted Faux Alabaster Panels IEM=Integral Emergency Ballast LNP=Hand Painted Faux Linen Panels</p>

NOTES: 1. Available in 30". 2. Available in 25". 3. Available in 37". 4. Available in 49". 5. Interior applications only. 6. Available with T5/2/21W (25" "AND" 37") and T5/2/28W (49") only.

FEATURES

- Interior Wall with Angled Horizontal body with center perforated panel
- Cold-rolled steel base metal with matte white acrylic front panels
- Integral electronic HPF, multi-volt 120/277V (347V Canada-except 13W)
- Standard: Matte White; Premium: Contact factory for finishes
- Universal mounting back for a standard 3" plaster ring or switch-box
- Front shield rotates up for ease of relamping
- Optional Hand-painted Faux Alabaster or Faux Linen diffuser
- UL and CUL approved for interior and damp locations; ADA compliant

Compliances may not apply to all product configurations. Please consult the product spec sheet for compliance details.
COMPLIANCES: UL/cUL Listed - Damp Location, ARRA Compliant, ADA Compliant



606 SERIES

ORDERING INFORMATION

SAMPLE NUMBER: 606-W-CFL/2/26-277V-SC-FP

Series	Mounting Type	Lamp	Voltage	Finish	Options
606=Luminous Sconce	W=Wall Mount	CFL/2 (26/32W-Triple) CFL/2/13 INC/2/60	120V 277V ¹ 347V ^{1,2}	Premium ALP=Aluminum Paint BM=Bronze Metallic Paint CC=Custom Color GM=Gold Metallic Paint GNM=Gun Metal OBRS=Oxidized Brass OCP=Oxidized Copper PB=Polished Brass	<p>PC=Polished Chrome PCP=Polished Copper PN=Polished Nickel SB=Satin Brass SC=Satin Chrome SCP=Satin Copper SN=Satin Nickel</p> <p>Standard MW=Matte White</p> <p>DL=Damp Location³ FP=Hand Painted Faux Alabaster Panels LCP=Custom Laser Cut Center Panel⁴ LNP=Hand Painted Faux Linen Panels PP=Perforated Panels REM=Remote Emergency Battery⁵</p>

NOTES: 1. Available with CFL only. 2. Not available in 13W. 3. Interior applications only. 4. Contact the factory for more patterns and pricing. 5. Supplied by others.



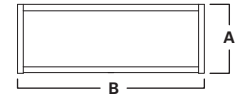
607 SERIES

FEATURES

- Interior Wall Craftsman Vanity Luminaire
- Solid brass frame with 1/8" matte acrylic panels
- Integral electronic HPF, multi-volt 120/277V (347V Canada)
- Standard: Matte White; Premium: Contact factory for finishes
- Universal circular strap for a standard 4" J-box or plaster ring
- Optional Hand-painted Faux Alabaster or Faux Linen diffuser
- UL and CUL approved for interior and damp locations

Compliances may not apply to all product configurations. Please consult the product spec sheet for compliance details.

COMPLIANCES: UL/cUL Listed - Damp Location, ARRA Compliant



Standard Sizes	A	B	C
16	6" [152mm]	16-1/4" [413mm]	5" [127mm]
24	6" [152mm]	24" [610mm]	5" [127mm]

ORDERING INFORMATION

SAMPLE NUMBER: 607-16-W-CFL/2/13-277V-PCP

Series	Size	Mounting Type	Lamp	Voltage	Finish	Options
607=Craftsman Vanity	16=16" 24=24"	W=Wall Mount	CFL/2/18 ¹ INC/2/60 ¹ INC/3/60 ² T5/2/14 ²	120V 277V ³ 347V ³	Premium ALP=Aluminum Paint BM=Bronze Metallic Paint CC=Custom Color GM=Gold Metallic Paint GNM=Gun Metal OBRS=Oxidized Brass OCP=Oxidized Copper PB=Polished Brass PC=Polished Chrome Standard MW=Matte White	PCP=Polished Copper PN=Polished Nickel SB=Satin Brass SC=Satin Chrome SCP=Satin Copper SN=Satin Nickel DL=Damp Location ⁴ DML=Dimming Ballast (Lutron) ⁵ FP=Hand Painted Faux Alabaster Panels LNP=Hand Painted Faux Linen Panels MP=Mica Panels ⁵ OG=Opal Glass PP=Perforated Panels REM=Remote Emergency Battery ⁷

NOTES: 1. Available in 16". 2. Available in 24". 3. Available with CFL only. 4. Interior applications only. 5. Available with T5/2/14W (24" only). 6. Recommended for side and front panels only. 7. Supplied by others.



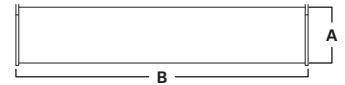
608 SERIES

FEATURES

- Interior Wall Angled Luminous Sconce Luminaire
- Painted or plated solid aluminum; 1/8" matte white acrylic diffuser
- Integral electronic HPF, multi-volt 120/277V (347V Canada)
- Standard: Matte White; Premium: Contact factory for finishes
- Supplied with a mounting back for a standard 4" J-box or plaster ring
- Optional Hand-painted Faux Alabaster or Faux Linen diffuser
- Refer to shaperlighting.com for complete photometrics
- UL and CUL approved for interior and damp locations

Compliances may not apply to all product configurations. Please consult the product spec sheet for compliance details.

COMPLIANCES: UL/cUL Listed - Damp Location, ARRA Compliant



Standard Sizes	A	B	C
18	8" [203mm]	18" [457mm]	6-1/4" [159mm]
26	7-1/4" [184mm]	26" [660mm]	6-1/4" [159mm]
38	7-1/4" [184mm]	38" [965mm]	6-1/4" [159mm]

ORDERING INFORMATION

SAMPLE NUMBER: 608-26-W-INC/3/60-120V-SB-FD

Series	Size	Mounting Type	Lamp	Voltage	Finish	Options
608=Angled Luminous Sconce	18=18" 26=26" 38=38"	W=Wall Mount	CFL/2/27 ¹ INC/2/60 ¹ INC/3/60 ² INC/4/60 ³ T5/2/14 ² T5/2/21 ³ T8/2/25 ³	120V 277V ⁴ 347V ⁴	Premium ALP=Aluminum Paint BM=Bronze Metallic Paint CC=Custom Color GM=Gold Metallic Paint GNM=Gun Metal OBRS=Oxidized Brass OCP=Oxidized Copper PB=Polished Brass Standard MW=Matte White	PC=Polished Chrome PCP=Polished Copper PN=Polished Nickel SAL=Lacquered Satin Aluminum SB=Satin Brass SC=Satin Chrome SCP=Satin Copper SN=Satin Nickel DL=Damp Location ⁵ DML=Dimming Ballast (Lutron) ⁶ FD=Hand Painted Faux Alabaster Diffuser IEM=Integral Emergency Ballast ^{3,2} LND=Hand Painted Faux Linen Diffuser REM=Remote Emergency Battery ⁷

NOTES: 1. Available in 18". 2. Available in 26". 3. Available in 38". 4. Available with CFL only. 5. Interior applications only. 6. Available with T5/2/21W (26" *AND* 36") only. 7. Supplied by others.

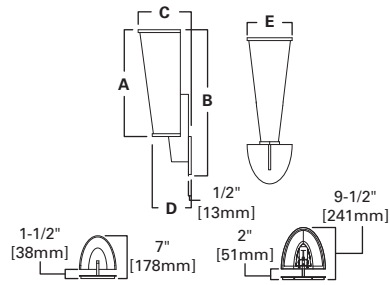
Specifications and dimensions subject to change without notice. Consult your Cooper Lighting Representative or visit www.cooperlighting.com for available options, accessories and ordering information.

FEATURES

- Interior Wall Tapered Flute Luminaire
- Solid aluminum with a formed matte white acrylic diffuser
- Integral electronic HPF, multi-volt 120/277V (347V Canada)
- Standard: Natural Aluminum; Premium: Contact factory for finishes
- Universal circular strap for a standard 4" J-box or plaster ring
- Optional Hand-painted Faux Alabaster or Faux Linen diffuser
- Refer to shaperlighting.com for complete photometrics
- Available for MRI applications (INC only) - contact factory
- UL and CUL approved for interior and damp locations

Compliances may not apply to all product configurations. Please consult the product spec sheet for compliance details.

COMPLIANCES: UL/cUL Listed - Damp Location, ARRA Compliant



611 SERIES

Standard Sizes	A	B	C	D	E
19	14" [356mm]	19" [483mm]	7" [178mm]	5" [127mm]	6" [152mm]
26	19" [483mm]	26" [660mm]	9-1/2" [241mm]	7" [178mm]	8" [203mm]

ORDERING INFORMATION

SAMPLE NUMBER: 611-26-W-CFL/1/39-277V-SAL

Series	Size	Mounting Type	Lamp	Voltage	Finish	Options
611=Tapered Flute	19=19" 26=26"	W=Wall Mount	CFL/1/27 ¹ CFL/1/39 ² INC/1/40	120V 277V ³ 347V ³	Premium ALP=Aluminum Paint BM=Bronze Metallic Paint CC=Custom Color GM=Gold Metallic Paint GNM=Gun Metal MW=Matte White OBRS=Oxidized Brass OCP=Oxidized Copper PB=Polished Brass PC=Polished Chrome Standard NA=Natural Aluminum	PCP=Polished Copper PN=Polished Nickel SAL=Lacquered Satin Aluminum SB=Satin Brass SC=Satin Chrome SCP=Satin Copper SN=Satin Nickel DL=Damp Location ⁴ FD=Hand Painted Faux Alabaster Diffuser LND=Hand Painted Faux Linen Diffuser REM=Remote Emergency Battery ⁵

NOTES: 1. Available in 19". 2. Available in 26". 3. Available with CFL only. 4. Interior applications only. 5. Supplied by others.



FEATURES

- Interior Recessed Wall with Decorative Element Luminaire
- Rugged die-cast aluminum construction, stainless steel hardware
- Integral electronic CFL HPF, 120V or 277V
- Standard: Natural Aluminum; Premium: Contact factory for finishes
- The back box is available to ship in advance for rough-in purposes
- Tempered glass lenses and double-finish protection
- Elements: Recycled Glass, Fabric, Colored Acrylic, Bamboo Rings
- Refer to shaperlighting.com for complete photometrics
- UL, CUL approved for IP68 wet location rating; ADA compliant, IC-rated

Compliances may not apply to all product configurations. Please consult the product spec sheet for compliance details.

COMPLIANCES: UL/cUL Listed - Wet Location, IP68 Rated, ADA Compliant

613 SERIES



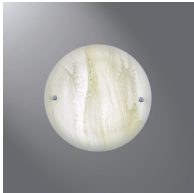
ORDERING INFORMATION

SAMPLE NUMBER: 613RD-6-WithDW-HAL/1/20-120V-SC-FA

Series	Element Diameter	Mounting Type	Lamp	Voltage	Finish	Decorative Elements	Options
613RD=Recessed Round Wall Luminaire 613SQ=Recessed Square Wall Luminaire	6" 8"	CP=Wall - Concrete DW=Wall - Drywall MY=Wall - Masonry	CFL/1/13 (8") HAL/1/20 LED/1/12 (8") LED/1/4 (6") MH/1/20 (8")	120V 120V/12V (LED/HAL) 277V (MH/CFL)	Premium ALP=Aluminum Paint CC=Custom Color GNM=Gun Metal NA=Natural Aluminum OBRS=Oxidized Brass OCP=Oxidized Copper PB=Polished Brass PC=Polished Chrome PCP=Polished Copper PN=Polished Nickel SAL=Lacquered Satin Aluminum SB=Satin Brass SC=Satin Chrome SCP=Satin Copper SN=Satin Nickel Standard MW=Matte White	ARG=Aquamarine Recycled Glass BAR=Bamboo Rings BTRG=Blue Topaz Recycled Glass CRG=Crystal Recycled Glass ETS=English Toffee Swirl FA=Frosted Acrylic MSL=Mocha Swirl PLF=Paper Leaf RRG=Ruby Red Recycled Glass SGC=Sage Concentric TAC=Terracotta Concentric WSL=White Swirl WWW=White Weave	ADR=Adaptor Ring DL=Damp Location ¹

NOTES: 1. Interior applications only.

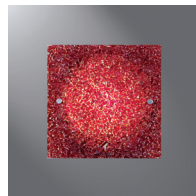
ALTERNATE MATERIALS AND FINISHES



White Swirl

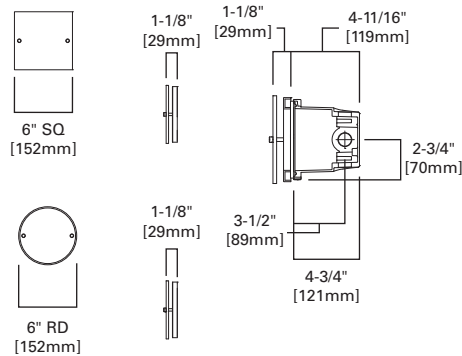


Frosted Acrylic

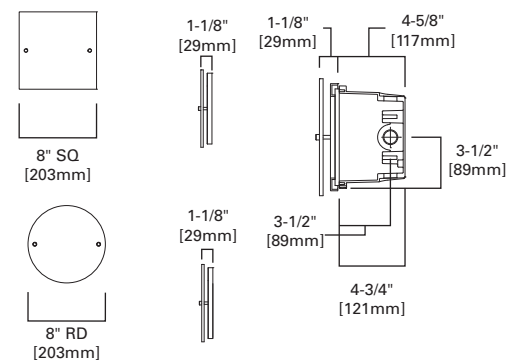


Ruby

613 - 6 STANDARD



613 - 8 STANDARD



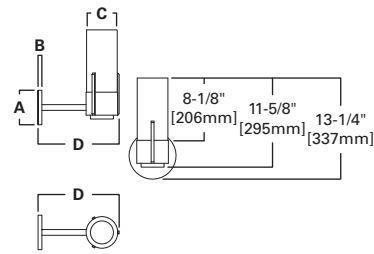
Specifications and dimensions subject to change without notice. Consult your Cooper Lighting Representative or visit www.cooperlighting.com for available options, accessories and ordering information.

FEATURES

- Interior Wall Arm Mount Luminous Cylinder Luminaire
- Solid brass or aluminum housing and decorative trim
- Integral electronic HPF, multi-volt 120/277V (347V Canada)
- Standard: Natural Aluminum; Premium: Contact factory for finishes
- Universal circular strap for a standard 4" J-box or plaster ring
- Optional Hand-painted Faux Alabaster or Faux Linen Cylinder
- Refer to shaperlighting.com for complete photometrics
- Available for MRI applications (INC only) - contact factory
- UL and CUL approved for interior and damp locations

Compliances may not apply to all product configurations. Please consult the product spec sheet for compliance details.

COMPLIANCES: UL/cUL Listed - Damp Location, ARRA Compliant



622 SERIES

Standard Sizes	A	B	C	D
CFL	6-1/8" [156mm]	2-1/8" [54mm]	4" [102mm]	10" [254mm]
INC	4-1/2" [114mm]	1/2" [13mm]	4" [102mm]	8-1/2" [216mm]

ORDERING INFORMATION

SAMPLE NUMBER: 622-W-CFL/1/18-277V-PCP

Series	Mounting Type	Lamp	Voltage	Finish	Options	
622 =Arm Mount Luminous Cylinder	W =Wall Mount	CFL/1/18 CFL/1/26 INC/1/40	120V 277V¹ 347V¹	Premium ALP =Aluminum Paint BM =Bronze Metallic Paint CC =Custom Color GM =Gold Metallic Paint GNM =Gun Metal MW =Matte White OBRS =Oxidized Brass OCP =Oxidized Copper PB =Polished Brass PC =Polished Chrome	PCP =Polished Copper PN =Polished Nickel SAL =Lacquered Satin Aluminum SB =Satin Brass SC =Satin Chrome SCP =Satin Copper SN =Satin Nickel Standard NA =Natural Aluminum	DL =Damp Location ² DMA10 =Dimming Ballast (Advance Mark 10) ¹ DMA7 =Dimming Ballast (Advance Mark 7) ¹ DML =Dimming Ballast (Lutron) ¹ FC =Hand Painted Faux Alabaster Cylinder LNC =Hand Painted Faux Linen Cylinder REM =Remote Emergency Battery ³

NOTES: 1. Available with CFL only. 2. Interior applications only. 3. Supplied by others.

FEATURES

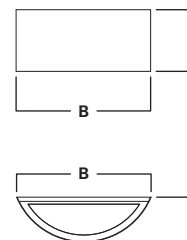
- Interior Wall Direct/Indirect Wall Bracket Luminaire
- Painted or plated cold-rolled steel base metal
- Integral electronic HPF, multi-volt 120/277V (347V Canada-except 13W)
- Standard: Matte White; Premium: Contact factory for finishes
- Universal circular strap for a standard 4" J-box or plaster ring
- White aluminum cube cell top louver option available
- UL, CUL approved for interior, damp locations; ADA compliant (624/4)

Compliances may not apply to all product configurations. Please consult the product spec sheet for compliance details.

COMPLIANCES: UL/cUL Listed - Damp Location, ARRA Compliant, ADA Compliant



624 - 624/4 - STANDARD



624 AND 624/4 SERIES

Standard Sizes	A	B	C
624	6" [152mm]	12" [305mm]	5-1/2" [140mm]
624/4	4" [102mm]	12" [305mm]	5-1/2" [140mm]

ORDERING INFORMATION

SAMPLE NUMBER: 624/4-W-CFL/1/26-120V-BPL/SHL-BLN

Series	Mounting Type	Lamp	Voltage	Finish ⁵	Color ⁶	Pattern ⁶	Options
624 =Wall Bracket 624/4 =Wall Bracket (ADA)	W =Wall Mount	CFL/1/13¹ CFL/1/26¹ CFL/2/13² CFL/2/26² INC/1/75	120V 277V³ 347V^{3,4}	Premium ALP =Aluminum Paint BM =Bronze Metallic Paint CC =Custom Color GM =Gold Metallic Paint GNM =Gun Metal OBRS =Oxidized Brass OCP =Oxidized Copper PB =Polished Brass	PC =Polished Chrome PCP =Polished Copper PN =Polished Nickel RSS =Ribbed Stainless Steel SB =Satin Brass SC =Satin Chrome SCP =Satin Copper SN =Satin Nickel Standard MW =Matte White	Custom Decorative Metals BPL =Black Pearl BRS =Brass CBT =Cabernet CLE =Chocolate CLR =Clear CMP =Champagne CPR =Copper IDO =Indigo PWR =Pewter RBE =Royal Blue SGE =Sage SGN =Slate Green SPE =Sapphire	COL =Coral SHL =Seashell SMT =Smooth BLN =Acrylic Bottom Lens CL =Cube Cell Top Louver DL =Damp Location ⁷ MEM =Modified Integral Emergency Ballast ² REM =Remote Emergency Battery ⁸

NOTES: 1. Available with 624/4 Series. 2. Available with 624 Series. 3. Available with CFL only. 4. Not available in 13W. 5. Leave blank if specifying Custom Decorative Metals Finish. 6. Available with Custom Decorative Metal Finish only. 7. Interior applications only. 8. Supplied by others.

Specifications and dimensions subject to change without notice. Consult your Cooper Lighting Representative or visit www.cooperlighting.com for available options, accessories and ordering information.



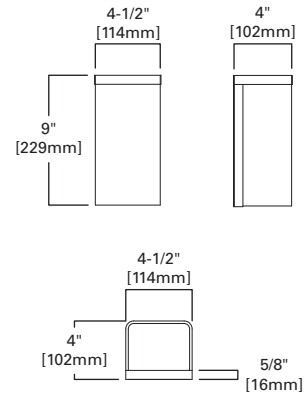
632 SERIES

FEATURES

- Interior Wall Luminous Shield Luminaire
- Solid aluminum with matte white acrylic 4" luminous diffuser
- Integral electronic HPF, multi-volt 120/277V (347V Canada-except 13W)
- Standard: Natural Aluminum; Premium: Contact factory for finishes
- Universal circular strap for a standard 4" J-box or plaster ring
- Available for MRI applications (INC only) - contact factory
- UL and CUL approved for interior and damp locations; ADA compliant

Compliances may not apply to all product configurations. Please consult the product spec sheet for compliance details.

COMPLIANCES: UL/cUL Listed - Damp Location, ARRA Compliant, ADA Compliant



ORDERING INFORMATION

SAMPLE NUMBER: 632-W-INC/1/60-120V-ALP

Series	Mounting Type	Lamp	Voltage	Finish	Options
632=Luminous Shield	W=Wall Mount	CFL/1/13 CFL/1/26 INC/1/60	120V 277V ¹ 347V ^{1,2}	Premium ALP=Aluminum Paint BM=Bronze Metallic Paint CC=Custom Color GM=Gold Metallic Paint MW=Matte White Standard NA=Natural Aluminum	DL=Damp Location ³ REM=Remote Emergency Battery ⁴

NOTES: 1. Available with CFL only. 2. Not available in 13W. 3. Interior applications only. 4. Supplied by others.



635 SERIES

FEATURES

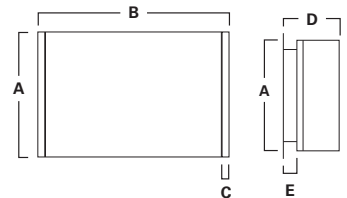
- Interior Wall Luminous or Perforated Shield Luminaire
- Solid aluminum construction with extruded white acrylic
- Integral electronic HPF, multi-volt 120/277V (347V Canada-except 13W)
- Standard: Natural Aluminum; Premium: Contact factory for finishes
- Universal circular strap for a standard 4" J-box or plaster ring
- Perforated or Punch Pattern Shield options
- Available for MRI applications (INC only) - contact factory
- UL and CUL approved for interior and damp locations. ADA compliant

Compliances may not apply to all product configurations. Please consult the product spec sheet for compliance details.

COMPLIANCES: UL/cUL Listed - Damp Location, ARRA Compliant, ADA Compliant



635 - LS (LUMINOUS SHIELD)



Standard Sizes	A	B	C	D	E
14	9" [229mm]	14" [355mm]	1/2" [13mm]	4" [102mm]	1-1/8" [29mm]
18	5" [127mm]	18" [457mm]	1/2" [13mm]	4" [102mm]	1-1/8" [29mm]

ORDERING INFORMATION

SAMPLE NUMBER: 635-14-W-CFL/1/26-277V-MW-LNSH

Series	Size	Mounting Type	Lamp	Voltage	Finish	Options	
635=Luminous Wall Shield	14=14" 18=18"	W=Wall Mount	CFL/1/26 ¹ CFL/1/27 ² CFL/2/13 ¹ CFL/2/26 ¹ INC/1/60 ¹	120V 277V ³ 347V ³	Premium ALP=Aluminum Paint BM=Bronze Metallic Paint CC=Custom Color GM=Gold Metallic Paint GNM=Gun Metal MW=Matte White OBRS=Oxidized Brass OCP=Oxidized Copper PB=Polished Brass PC=Polished Chrome Standard NA=Natural Aluminum	PCP=Polished Copper PN=Polished Nickel SAL=Lacquered Satin Aluminum SB=Satin Brass SC=Satin Chrome SCP=Satin Copper SN=Satin Nickel Standard NA=Natural Aluminum	DL=Damp Location ⁴ DMA10=Dimming Ballast (Advance Mark 10) ⁵ DMA7=Dimming Ballast (Advance Mark 7) ⁵ DML=Dimming Ballast (Lutron) ⁵ FSH=Hand Painted Faux Alabaster Shield ⁶ LNSH=Hand Painted Faux Linen Shield ⁶ MEM=Modified Integral Emergency Ballast PPSBL=Blue Punch Pattern Shield PPSWH=White Punch Pattern Shield PSH=Perforated Metal Shield

NOTES: 1. Available in 14". 2. Available in 18". 3. Available with CFL only (347V not available in 13W). 4. Interior applications only. 5. Available in 26W lamping only. 6. Luminous Shield only.

Specifications and dimensions subject to change without notice. Consult your Cooper Lighting Representative or visit www.cooperlighting.com for available options, accessories and ordering information.

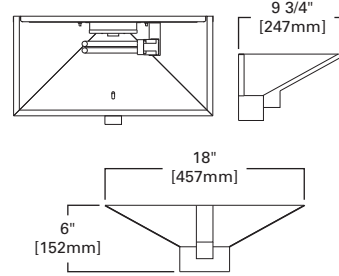
FEATURES

- Interior Wall Indirect "Craftsman" Luminaire
- Brass, aluminum or cold-rolled steel base and trim
- Integral electronic HPF, multi-volt 120/277V (347V Canada)
- Standard: Matte White; Premium: Contact factory for finishes
- Universal circular strap for a standard 4" J-box or plaster ring
- Matte white formed acrylic diffuser
- Available for MRI applications (INC only) - contact factory
- UL and CUL approved for interior and damp locations

Compliances may not apply to all product configurations. Please consult the product spec sheet for compliance details.
COMPLIANCES: UL/cUL Listed - Damp Location, ARRA Compliant



640 - STANDARD



640 SERIES

ORDERING INFORMATION

SAMPLE NUMBER: 640-W-CFL/1/18-277V-BM-FD-REM

Series	Mounting Type	Lamp	Voltage	Finish	Options	
640=Wall Indirect Tapered Square	W=Wall Mount	CFL/1/18 INC/1/60	120V 277V ¹ 347V ¹	Premium ALP=Aluminum Paint BM=Bronze Metallic Paint CC=Custom Color GM=Gold Metallic Paint GNM=Gun Metal NA=Natural Aluminum OBRS=Oxidized Brass OCP=Oxidized Copper PB=Polished Brass PC=Polished Chrome	PCP=Polished Copper PN=Polished Nickel SAL=Lacquered Satin Aluminum SB=Satin Brass SC=Satin Chrome SCP=Satin Copper SN=Satin Nickel Standard MW=Matte White	DL=Damp Location ² FD=Hand Painted Faux Alabaster Diffuser LND=Hand Painted Faux Linen Diffuser REM=Remote Emergency Battery ³

NOTES: 1. Available with CFL only. 2. Interior applications only. 3. Supplied by others.

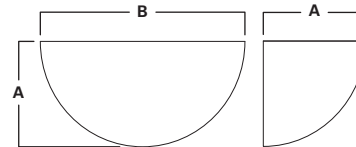
FEATURES

- Interior Wall Quarter Sphere Luminaire
- Painted or plated cold-rolled steel base metal
- Integral electronic HPF, multi-volt 120/277V (347V Canada-except 13W)
- Standard: Matte White; Premium: Contact factory for finishes
- Universal circular strap for a standard 4" J-box or plaster ring
- Optional aluminum hexcel top louver, painted white or black
- Available for MRI applications (INC only) - contact factory
- UL and CUL approved for interior and damp locations

Compliances may not apply to all product configurations. Please consult the product spec sheet for compliance details.
COMPLIANCES: UL/cUL Listed - Damp Location, ARRA Compliant



641 - STANDARD



Standard Sizes	A	B
10"	5"	10"
[254mm]	[127mm]	[254mm]
12"	6"	12"
[305mm]	[152mm]	[305mm]
16"	8"	16"
[406mm]	[203mm]	[406mm]



641 SERIES

ORDERING INFORMATION

SAMPLE NUMBER: 641-12-W-CFL/2/32-277V-BRS/SMT-WHL

Series	Size	Mounting Type	Lamp	Voltage	Finish ⁷	Options
641=Wall Sconce	10=10" 12=12" 16=16"	W=Wall Mount	CFL/1/26 ¹ CFL/2 (26/32W-Triple) ² CFL/2/13 ³ CFL/2/26 ³	120V 277V ⁴ 347V ^{5,6}	Premium ALP=Aluminum Paint BM=Bronze Metallic Paint CC=Custom Color GM=Gold Metallic Paint GNM=Gun Metal NA=Natural Aluminum	OBRS=Oxidized Brass OCP=Oxidized Copper PB=Polished Brass PC=Polished Chrome PCP=Polished Copper PN=Polished Nickel SAL=Lacquered Satin Aluminum Standard MW=Matte White

Color ⁸	Pattern ⁸	Options
Custom Decorative Metals BPL=Black Pearl BRS=Brass CBT=Cabernet CLE=Chocolate CLR=Clear CMP=Champagne CPR=Copper IDO=Indigo PWR=Pewter RBE=Royal Blue SGE=Sage SGN=Slate Green SPE=Sapphire	COL=Coral SHL=Seashell SMT=Smooth	BHL=Black Hexcel Top Louver ⁵ DL=Damp Location ⁹ DMA10=Dimming Ballast (Advance Mark 10) ¹⁰ DMA7=Dimming Ballast (Advance Mark 7) ¹¹ REM=Remote Emergency Battery ¹² TGL=Sandblasted Tempered Glass Lens ¹³ WHL=White Hexcel Top Louver ⁵

NOTES: 1. Available in 10". 2. Available in 16". 3. Available in 12". 4. Available with CFL "AND" MH only. 5. Available with CFL only. 6. Not available in 13W. 7. Leave blank if specifying Custom Decorative Metals Finish. 8. Available with Custom Decorative Metal Finish only. 9. Interior applications only. 10. Available with CFL/2/26W (641-12 or 641-16) only. 11. Available with CFL/2/26W (641-12) and CFL/2/26/32W (641-16) only. 12. Supplied by others. 13. MH only.

Specifications and dimensions subject to change without notice. Consult your Cooper Lighting Representative or visit www.cooperlighting.com for available options, accessories and ordering information.



642 AND 642/4 SERIES

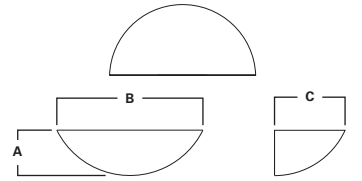
FEATURES

- Interior Wall Quarter Sphere Indirect Luminaire
- Painted or plated cold-rolled steel base metal
- Integral electronic HPF, multi-volt 120/277V (347V Canada-except 13W)
- Standard: Matte White; Premium: Contact factory for finishes
- Universal circular strap for a standard 4" J-box or plaster ring
- Optional aluminum hexcel louver, painted white or black
- Available for MRI applications (INC only) - contact factory
- UL, CUL approved for interior, damp locations; ADA compliant (642/4)

Compliances may not apply to all product configurations. Please consult the product spec sheet for compliance details.
COMPLIANCES: UL/cUL Listed - Damp Location, ADA Compliant



642-642/4 - STANDARD



Standard Sizes	A	B	C
642	4-1/2" [114mm]	14-1/2" [368mm]	7" [178mm]
642/4	7" [178mm]	15" [381mm]	4" [102mm]

ORDERING INFORMATION

SAMPLE NUMBER: 642-W-CFL/1/26-277V-SC-ACB

Series	Mounting Type	Lamp	Voltage	Finish	Options	
642=Wall Sconce 642/4=Wall Sconce (ADA)	W=Wall Mount	CFL/1 (26/32W-Triple) ¹ CFL/1/13 ² CFL/1/26 ² INC/1/100	120V 277V ^{3,4} 347V ^{4,5}	Premium ALP=Aluminum Paint BM=Bronze Metallic Paint CC=Custom Color GM=Gold Metallic Paint GNM=Gun Metal NA=Natural Aluminum OBR=Oxidized Brass OCP=Oxidized Copper PB=Polished Brass PC=Polished Chrome	PCP=Polished Copper PN=Polished Nickel SAL=Lacquered Satin Aluminum SB=Satin Brass SC=Satin Chrome SCP=Satin Copper SN=Satin Nickel Standard MW=Matte White	ACB=Accent Balls BHL=Black Hexcel Top Louver DF=Decorative Finial DL=Damp Location ⁶ REM=Remote Emergency Battery ^{7,1} WHL=White Hexcel Top Louver

NOTES: 1. Available with 642 Series only. 2. Available with 642/4 Series. 3. Available with CFL only (347V not available in 13W). 4. Available with CFL only. 5. Not available in 13W. 6. Interior applications only. 7. Supplied by others.



642A AND 642A/4 SERIES

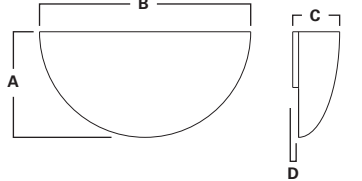
FEATURES

- Interior Wall Luminous Quarter Sphere Luminaire
- Pre-painted white aluminum back plate and white acrylic bowl
- Integral electronic HPF, multi-volt 120/277V (347V Canada-except 13W)
- Trim or Finial Standard: White; Premium: Contact factory for finishes
- Universal circular strap for a standard 4" J-box or plaster ring
- Solid brass, stainless steel or painted trim options
- Available for MRI applications (INC only) - contact factory
- UL and CUL for interior and damp locations. ADA compliant (642A/4)

Compliances may not apply to all product configurations. Please consult the product spec sheet for compliance details.
COMPLIANCES: UL/cUL Listed - Damp Location, ARRA Compliant, ADA Compliant



642 - STANDARD



Standard Sizes	A	B	C	D
642	5-1/2" [140mm]	14-1/2" [368mm]	7-3/4" [197mm]	1/2" [13mm]
642 A	7-1/4" [184mm]	14-1/2" [368mm]	4" [102mm]	1/2" [13mm]
A/4-14	9" [229mm]	18" [457mm]	4" [102mm]	1/2" [13mm]

ORDERING INFORMATION

SAMPLE NUMBER: 642A/4-14-W-CFL/1/13-120V-ALP

Series	Size	Mounting Type	Lamp	Voltage	Finish	Options	
642A=Luminous Tapered Quarter Sphere 642A/4=Luminous Tapered Quarter Sphere (ADA)	14=14" 18=18" ¹	W=Wall Mount	CFL/1/13 ² CFL/2/13 ³ CFL/2/26 ⁴ INC/1/60 ³ INC/1/75 ⁴	120V 277V ⁵ 347V ⁵	Premium ALP=Aluminum Paint BM=Bronze Metallic Paint CC=Custom Color GM=Gold Metallic Paint GNM=Gun Metal OBR=Oxidized Brass OCP=Oxidized Copper PB=Polished Brass PC=Polished Chrome	PCP=Polished Copper PN=Polished Nickel SAL=Lacquered Satin Aluminum SB=Satin Brass SC=Satin Chrome SCP=Satin Copper SN=Satin Nickel Standard MW=Matte White	2TRB=Two Trim Rings withBalls 2TRP=Two Trim Rings withPerf CT=Caming Trim DBF=Decorative Balls withStepped Finial DL=Damp Location ⁶ FD=Hand Painted Faux Alabaster Diffuser HL=Hexcel Louver LND=Hand Painted Faux Linen Diffuser MEM=Modified Integral Emergency Ballast ⁴ REM=Remote Emergency Battery ⁷ SF=Stepped Finial TR=Trim Ring

NOTES: 1. Available with 642-A/4 Series. 2. Available in 642-A/4-14". 3. Available in 642-A/4-18". 4. Available with 642-A Series. 5. Available with CFL only (347V not available in 13W). 6. Interior applications only. 7. Supplied by others.

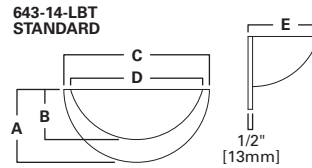
Specifications and dimensions subject to change without notice. Consult your Cooper Lighting Representative or visit www.cooperlighting.com for available options, accessories and ordering information.

FEATURES

- Interior Wall Luminous Quarter Sphere Luminaire with Back Trim
- Painted or plated cold-rolled steel back plate and white acrylic bowl
- Integral electronic HPF, multi-volt 120/277V (347V Canada-except 13W)
- Finish Standard: Matte White. Premium: Contact factory for finishes
- Universal circular strap for a standard 4" J-box or plaster ring
- Solid brass, stainless steel or painted steel trim ring options
- Available for MRI applications (INC only) - contact factory
- UL and CUL for interior and damp locations. ADA Compliant (643/4)

Compliances may not apply to all product configurations. Please consult the product spec sheet for compliance details.

COMPLIANCES: UL/cUL Listed - Damp Location, ARRA Compliant, ADA Compliant



Standard Sizes	A	B	C	D	E
643	6-1/4"	5-1/2"	16"	14-1/2"	7-3/4"
14-SBT	[158mm]	[140mm]	[406mm]	[368mm]	[197mm]
643/4	8"	7-1/4"	16"	14-1/2"	4"
14-SBT	[203mm]	[184mm]	[406mm]	[368mm]	[102mm]
643/4	9-3/4"	9"	19-1/2"	18"	4"
18-SBT	[247mm]	[229mm]	[495mm]	[457mm]	[102mm]
643	5-3/4"	5-1/2"	15"	14-1/2"	7-3/4"
14-RBT	[146mm]	[140mm]	[381mm]	[368mm]	[197mm]
643/4	7-1/2"	7-1/4"	15"	14-1/2"	4"
14-RBT	[191mm]	[184mm]	[381mm]	[368mm]	[102mm]
643/4	9-1/4"	9"	18-1/2"	18"	4"
18-RBT	[235mm]	[229mm]	[470mm]	[457mm]	[102mm]
643	8"	5-1/2"	16"	14-1/2"	7-3/4"
14-LBT	[203mm]	[140mm]	[406mm]	[368mm]	[197mm]



643 AND 643/4 SERIES

ORDERING INFORMATION

SAMPLE NUMBER: 643/4-18-W-RBT-CFL/2/13-277V-PCP

Series	Size	Mounting Type	Style	Lamp	Voltage	Finish	Options	
643 =Luminous Quarter Sphere	14 =14" 18 =18" ¹	W =Wall Mount	LBT =Large Back Trim ² RBT =1/4" Reduced Back Trim	CFL/1/13 ^{3,1} CFL/2/13 ^{1,4} CFL/2/26 ² INC/1/40 ^{3,1} INC/1/60 ^{1,4} INC/1/75 ²	120V 277V ⁵ 347V ⁵	Premium ALP =Aluminum Paint CC =Custom Color GNM =Gun Metal OBRS =Oxidized Brass OCP =Oxidized Copper PB =Polished Brass PC =Polished Chrome	PCP =Polished Copper PN =Polished Nickel SB =Satin Brass SC =Satin Chrome SCP =Satin Copper SN =Satin Nickel Standard MW =Matte White	2TRB =Two Trim Rings with Balls DL =Damp Location ⁶ FD =Hand Painted Faux Alabaster Diffuser HL =Hexcel Louver LND =Hand Painted Faux Linen Diffuser MEM =Modified Integral Emergency Ballast ² REM =Remote Emergency Battery ⁷ TR =Trim Ring

NOTES: 1. Available with 643/4 Series. 2. Available with 643 Series. 3. Available in 14". 4. Available with 18". 5. Available with CFL only (347V not available in 13W). 6. Interior applications only. 7. Supplied by others.

FEATURES

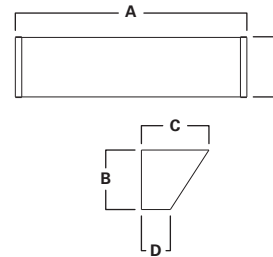
- Interior Wall Classic Vanity Luminaire
- Solid aluminum construction with a white acrylic diffuser
- Integral electronic HPF, multi-volt 120/277V (347V Canada)
- Standard: Natural Aluminum; Premium: Contact factory for finishes
- Universal circular strap for a standard 3" or 4" J-box or plaster ring
- Available for MRI applications (INC only) - contact factory
- UL and CUL approved for interior and damp locations

Compliances may not apply to all product configurations. Please consult the product spec sheet for compliance details.

COMPLIANCES: UL/cUL Listed - Damp Location, ARRA Compliant, ADA Compliant



645-18" STANDARD



Standard Sizes	A	B	C	D
18	18" [457mm]	4-5/8" [117mm]	5-1/4" [133mm]	2-1/4" [57mm]
24	24" [610mm]	4-5/8" [117mm]	5-1/4" [133mm]	2-1/4" [57mm]



645 SERIES

ORDERING INFORMATION

SAMPLE NUMBER: 645-18-W-CFL/1/27-SAL-REM

Series	Size	Mounting Type	Lamp	Voltage	Finish	Options
645 =Classic Vanity	18 =18" 24 =24"	W =Wall Mount	CFL/1/27 ¹ INC/2/60 ¹ INC/3/60 ² T5/2/14 ²	120V 277V ³ 347V ³	Premium ALP =Aluminum Paint BM =Bronze Metallic Paint CC =Custom Color GM =Gold Metallic Paint MW =Matte White SAL =Lacquered Satin Aluminum Standard NA =Natural Aluminum	DL =Damp Location ⁴ DML =Dimming Ballast (Lutron) ⁵ REM =Remote Emergency Battery ⁶

NOTES: 1. Available in 18". 2. Available in 24". 3. Available with CFL only. 4. Interior applications only. 5. Available with T5/2/14W (24" only). 6. Supplied by others.

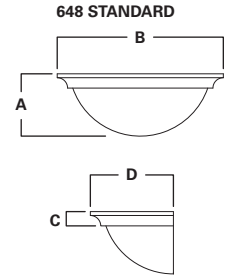


648 AND 648/4 SERIES

FEATURES

- Interior Wall Luminous Bowl Luminaire
- Painted or plated cold-rolled steel base metal and white acrylic bowl
- Integral electronic HPF, multi-volt 120/277V (347V Canada-except 13W)
- Standard: Matte White (MW). Premium: Contact factory for finishes
- Universal circular strap for a standard 4" J-box or plaster ring
- Optional natural aluminum hexcel top louver
- Available for MRI applications (INC only) - contact factory
- UL and CUL for interior and damp locations. ADA compliant (648/4)

Compliances may not apply to all product configurations. Please consult the product spec sheet for compliance details.
COMPLIANCES: UL/cUL Listed - Damp Location, ARRA Compliant, ADA Compliant



Standard Sizes	A	B	C	D
648	6" [152mm]	16" [406mm]	1-3/8" [35mm]	8" [203mm]
648/4	8" [203mm]	16" [406mm]	N/A	4" [102mm]

ORDERING INFORMATION

SAMPLE NUMBER: 648-W-CFL/2/13-120V-OCP

Series	Mounting Type	Lamp	Voltage	Finish	Options	
648=Luminous Bowl 648/4=Luminous Bowl (ADA)	W=Wall Mount	CFL/1/26 ¹ CFL/2/13 ² CFL/2/26 ² INC/1/60 ¹ INC/1/75 ²	120V 277V ³ 347V ³	Premium ALP=Aluminum Paint BM=Bronze Metallic Paint CC=Custom Color GM=Gold Metallic Paint GNM=Gun Metal OBRS=Oxidized Brass OCP=Oxidized Copper PB=Polished Brass Standard MW=Matte White	PC=Polished Chrome PCP=Polished Copper PN=Polished Nickel SB=Satin Brass SC=Satin Chrome SCP=Satin Copper SN=Satin Nickel Standard MW=Matte White	DL=Damp Location ⁴ DMA10=Dimming Ballast (Advance Mark 10) ⁵ DMA7=Dimming Ballast (Advance Mark 7) ⁵ FB=Hand Painted Faux Alabaster Bowl HL=Hexcel Louver LNB=Hand Painted Faux Linen Bowl MEM=Modified Integral Emergency Ballast ² REM=Remote Emergency Battery ⁶ TF=Traditional Finial

NOTES: 1. Available with 648-4 Series. 2. Available with 648 Series. 3. Available with CFL only (347V not available in 13W). 4. Interior applications only. 5. Available with CFL/2/26W (648) only. 6. Supplied by others.

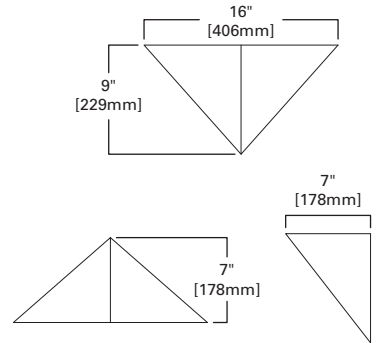


651 SERIES

FEATURES

- Interior Wall Half-Pyramid Luminaire
- Painted or plated cold-rolled steel, solid formed bronze (for OBZ)
- Integral electronic HPF, multi-volt 120/277V (347V Canada)
- Standard: Matte White; Premium: Contact factory for finishes
- Universal circular strap for a standard 4" J-box or plaster ring
- Optional Open Bottom (OB)
- UL and CUL approved for interior and damp locations

Compliances may not apply to all product configurations. Please consult the product spec sheet for compliance details.
COMPLIANCES: UL/cUL Listed - Damp Location, ARRA Compliant



ORDERING INFORMATION

SAMPLE NUMBER: 651-W-INC/1/75-120V-BRS/COL-DAP

Series	Mounting Type	Lamp	Voltage	Finish ²	Color ³	Pattern ³	Options
651=Half Pyramid	W=Wall Mount	CFL/1 (26/32/42W-Triple) INC/1/75	120V 277V ¹ 347V ¹	Premium ALP=Aluminum Paint CC=Custom Color GNM=Gun Metal NA=Natural Aluminum OBRS=Oxidized Brass OBZ=Hand Oxidized Bronze OCP=Oxidized Copper PB=Polished Brass PC=Polished Chrome Standard MW=Matte White	PCP=Polished Copper PN=Polished Nickel SAL=Lacquered Satin Aluminum SB=Satin Brass SC=Satin Chrome SCP=Satin Copper SN=Satin Nickel Standard MW=Matte White	Custom Decorative Metals BPL=Black Pearl BRS=Brass CBT=Cabernet CLE=Chocolate CLR=Clear CMP=Champagne CPR=Copper IDO=Indigo PWR=Pewter RBE=Royal Blue SGE=Sage SGN=Slate Green SPE=Sapphire	COL=Coral SHL=Seashell SMT=Smooth BDAP=Blue Decorative Acrylic Panels DAP=Decorative Acrylic Panels DL=Damp Location ⁴ HL=Hexcel Louver OB=Open Bottom REM=Remote Emergency Battery ⁵

NOTES: 1. Available with CFL only. 2. Leave blank if specifying Custom Decorative Metals Finish. 3. Available with Custom Decorative Metal Finish only. 4. Interior applications only. 5. Supplied by others.

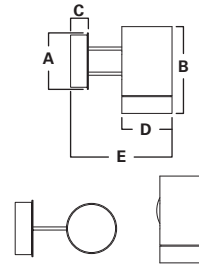
Specifications and dimensions subject to change without notice. Consult your Cooper Lighting Representative or visit www.cooperlighting.com for available options, accessories and ordering information.

FEATURES

- Interior Direct Wall Arm Mount Cylinder Luminaire
- Solid aluminum base metal and 1/4" matte acrylic edge
- Integral electronic HPF, multi-volt 120/277V (347V Canada)
- Standard: Natural Aluminum; Premium: Contact factory for finishes
- Universal circular strap for a standard 4" J-box or plaster ring
- Available for MRI applications (INC only) - contact factory
- UL and CUL approved for interior and damp locations

Compliances may not apply to all product configurations. Please consult the product spec sheet for compliance details.

COMPLIANCES: UL/cUL Listed - Damp Location, ARRA Compliant



652 SERIES

Standard Sizes	A	B	C	D	E
CFL	6-3/4" [171mm]	10-3/8" [264mm]	2-1/8" [54mm]	6" [152mm]	12-1/8" [308mm]
INC	5" [127mm]	10-3/8" [264mm]	5/8" [16mm]	6" [152mm]	10-5/8" [270mm]

ORDERING INFORMATION

SAMPLE NUMBER: 652-W-CFL/1/26-277V-GNM-REM

Series	Mounting Type	Lamp	Voltage	Finish	Options	
652=Direct Cylinder with Luminous Edge	W=Wall Mount	CFL/1 (26/32W-Triple) INC/1/75 PARH/1/75	120V 277V ¹ 347V ¹	Premium ALP=Aluminum Paint BM=Bronze Metallic Paint CC=Custom Color GM=Gold Metallic Paint GNM=Gun Metal MW=Matte White OBRS=Oxidized Brass OCP=Oxidized Copper PB=Polished Brass	PC=Polished Chrome PCP=Polished Copper PN=Polished Nickel SAL=Satin Aluminum SB=Satin Brass SC=Satin Chrome SCP=Satin Copper SN=Satin Nickel Standard NA=Natural Aluminum	DL=Damp Location ² REM=Remote Emergency Battery ³

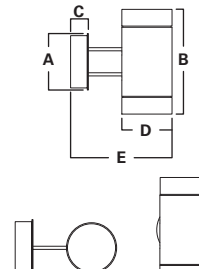
NOTES: 1. Available with CFL only. 2. Interior applications only. 3. Supplied by others.

FEATURES

- Interior Direct/Indirect Wall Arm Mount Cylinder Luminaire
- Solid aluminum base metal and 1/4" matte acrylic edges
- Integral electronic HPF, multi-volt 120/277V (347V Canada)
- Standard: Natural Aluminum; Premium: Contact factory for finishes
- Universal circular strap for a standard 4" J-box or plaster ring
- Available for MRI applications (INC only) - contact factory
- UL and CUL approved for interior and damp locations

Compliances may not apply to all product configurations. Please consult the product spec sheet for compliance details.

COMPLIANCES: UL/cUL Listed - Damp Location, ARRA Compliant



653 SERIES

Standard Sizes	A	B	C	D	E
CFL	6-3/4" [171mm]	12-1/2" [318mm]	2-1/8" [54mm]	6" [152mm]	12-1/8" [308mm]
INC	5" [127mm]	12-1/2" [318mm]	5/8" [16mm]	6" [152mm]	10-5/8" [270mm]

ORDERING INFORMATION

SAMPLE NUMBER: 653-W-CFL/2/32-277V-GNM-REM

Series	Mounting Type	Lamp	Voltage	Finish	Options	
653=Direct/Indirect Cylinder with Luminous Edge	W=Wall Mount	CFL/2 (26/32W-Triple) INC/2/75 PARH/2/75	120V 277V ¹ 347V ¹	Premium ALP=Aluminum Paint BM=Bronze Metallic Paint CC=Custom Color GM=Gold Metallic Paint GNM=Gun Metal MW=Matte White OBRS=Oxidized Brass OCP=Oxidized Copper PB=Polished Brass	PC=Polished Chrome PCP=Polished Copper PN=Polished Nickel SAL=Satin Aluminum SB=Satin Brass SC=Satin Chrome SCP=Satin Copper SN=Satin Nickel Standard NA=Natural Aluminum	DL=Damp Location ² REM=Remote Emergency Battery ³

NOTES: 1. Available with CFL only. 2. Interior applications only. 3. Supplied by others.

Specifications and dimensions subject to change without notice. Consult your Cooper Lighting Representative or visit www.cooperlighting.com for available options, accessories and ordering information.



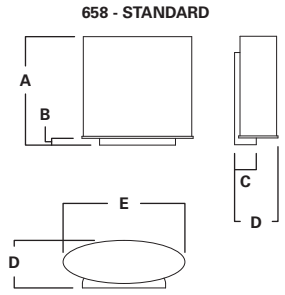
658 SERIES

FEATURES

- Interior Wall Luminous Shield Luminaire
- Painted or plated solid die-cast aluminum with acrylic shield
- Integral electronic HPF, multi-volt 120/277V (347V Canada-except 13W)
- Standard: Matte White; Premium: Contact factory for finishes
- Universal circular strap for a standard 4" J-box or plaster ring
- 1/8" matte white acrylic diffuser
- Available for MRI Applications (INC only) - contact factory
- UL and CUL approved for interior and damp locations. ADA compliant

Compliances may not apply to all product configurations. Please consult the product spec sheet for compliance details.

COMPLIANCES: UL/cUL Listed - Damp Location, ARRA Compliant, ADA Compliant



Standard Sizes	A	B	C	D	E
10"	10"	5/8"	2"	4"	10-1/4"
[254mm]	[254mm]	[16mm]	[51mm]	[102mm]	[260mm]
15"	15"	5/8"	2"	4"	10-1/4"
[381mm]	[381mm]	[16mm]	[51mm]	[102mm]	[260mm]

ORDERING INFORMATION

SAMPLE NUMBER: 658-10-W-INC/2/40-120V-SB-FD

Series	Size	Mounting Type	Lamp	Voltage	Finish	Options
658=Luminous Shield	10=10" 15=15"	W=Wall Mount	CFL/2/13 ¹ CFL/2/26 ¹ CFL/2/27 ² INC/2/40	120V 277V ³ 347V ³	Premium ALP=Aluminum Paint BM=Bronze Metallic Paint CC=Custom Color DP=Dark Platinum Paint GM=Gold Metallic Paint GMM=Gun Metal OBRS=Oxidized Brass OCP=Oxidized Copper PB=Polished Brass PC=Polished Chrome Standard MW=Matte White PCP=Polished Copper PN=Polished Nickel SAL=Lacquered Satin Aluminum SB=Satin Brass SC=Satin Chrome SCP=Satin Copper SN=Satin Nickel	DL=Damp Location ⁴ FD=Hand Painted Faux Alabaster Diffuser LND=Hand Painted Faux Linen Diffuser REM=Remote Emergency Battery ⁵

NOTES: 1. Available in 10". 2. Available in 15". 3. Available with CFL only (347V not available in 13W). 4. Interior applications only. 5. Supplied by others.



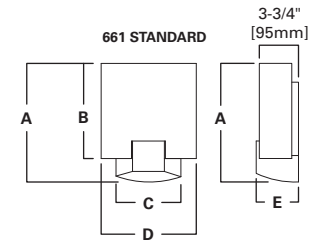
661 SERIES

FEATURES

- Interior Wall Luminous Shield Luminaire
- Plated or painted, brushed aluminum die-cast with mounting plate
- Integral electronic HPF, multi-volt 120/277V (347V Canada-except 13W)
- Standard: Natural Aluminum; Premium: Contact factory for finishes
- Universal circular strap for a standard 4" J-box or plaster ring
- Matte white acrylic diffuser
- Available for MRI application (INC only) - contact factory
- UL and CUL approved for interior and damp locations. ADA compliant

Compliances may not apply to all product configurations. Please consult the product spec sheet for compliance details.

COMPLIANCES: UL/cUL Listed - Damp Location, ARRA Compliant, ADA Compliant



Standard Sizes	A	B	C	D	E
9	11-1/4"	9"	6-1/8"	9"	4"
	[286mm]	[229mm]	[156mm]	[229mm]	[102mm]
16	16-1/4"	14"	6-1/8"	9"	4"
	[413mm]	[356mm]	[156mm]	[229mm]	[102mm]

ORDERING INFORMATION

SAMPLE NUMBER: 661-16-W-CFL/1/27-277V-SAL-LND

Series	Size	Mounting Type	Lamp	Voltage	Finish	Options
661=Luminous Shield	16=16" 9=9"	W=Wall Mount	CFL/1 (26/32W-Triple) ¹ CFL/1/13 ¹ CFL/1/27 ² INC/1/60 ¹	120V 277V ³ 347V ³	Premium ALP=Aluminum Paint BM=Bronze Metallic Paint CC=Custom Color DP=Dark Platinum Paint GM=Gold Metallic Paint MW=Matte White SAL=Lacquered Satin Aluminum Standard NA=Natural Aluminum	DL=Damp Location ⁴ DMA10=Dimming Ballast (Advance Mark 10) ^{5,6} DMA7=Dimming Ballast (Advance Mark 7) ^{5,6} DML=Dimming Ballast (Lutron) ⁶ FD=Hand Painted Faux Alabaster Diffuser LND=Hand Painted Faux Linen Diffuser PF=Perforated Side REM=Remote Emergency Battery ⁷

NOTES: 1. Available in 9". 2. Available in 16". 3. Available with CFL only (347V not available in 13W). 4. Interior applications only. 5. Available with CFL/1/13W (9"). 6. Available with CFL/1/26W/32W (9"). 7. Supplied by others.

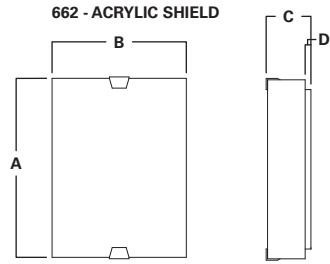
Specifications and dimensions subject to change without notice. Consult your Cooper Lighting Representative or visit www.cooperlighting.com for available options, accessories and ordering information.

FEATURES

- Interior Wall Luminous Curved Shield Luminaire
- Plated or painted aluminum die-cast trim bars with white back plate
- Integral electronic HPF, multi-volt 120/277V (347V Canada-except 13W)
- Standard: Matte White; Premium: Contact factory for finishes
- Universal circular strap for a standard 4" J-box or plaster ring
- Matte white sanded acrylic diffuser
- Available for MRI applications (INC only) - contact factory
- UL and CUL approved for interior and damp location. ADA compliant

Compliances may not apply to all product configurations. Please consult the product spec sheet for compliance details.

COMPLIANCES: UL/cUL Listed - Damp Location, ARRA Compliant, ADA Compliant



662 SERIES

Standard Sizes	A	B	C	D
12	12" [305mm]	12" [305mm]	4" [102mm]	1/2" [13mm]
16	16" [406mm]	12" [305mm]	4" [102mm]	1/2" [13mm]

ORDERING INFORMATION

SAMPLE NUMBER: 662-12-W-CFL/2/26-277V-SCP-LND-ATBC

Series	Size	Mounting Type	Lamp	Voltage	Finish	Options	
662=Luminous Curved Shield	12=12" 16=16"	W=Wall Mount	CFL/2/13 ¹ CFL/2/26 ¹ CFL/2/27 ² INC/2/60	120V 277V ³ 347V ³	Premium ALP=Aluminum Paint BM=Bronze Metallic Paint CC=Custom Color GM=Gold Metallic Paint GNM=Gun Metal NA=Natural Aluminum OBRS=Oxidized Brass OCP=Oxidized Copper PB=Polished Brass PC=Polished Chrome	PCP=Polished Copper PN=Polished Nickel SAL=Lacquered Satin Aluminum SB=Satin Brass SC=Satin Chrome SCP=Satin Copper SN=Satin Nickel Standard MW=Matte White	ATBC=Acrylic Top and Bottom Cover DL=Damp Location ⁴ FD=Hand Painted Faux Alabaster Diffuser GGA=Green Glass Acrylic GL=Sandblasted Plate Glass Shield LND=Hand Painted Faux Linen Diffuser MEM=Modified Integral Emergency Ballast PSH=Perforated Front Shield PTBC=Perforated Top and Bottom Cover

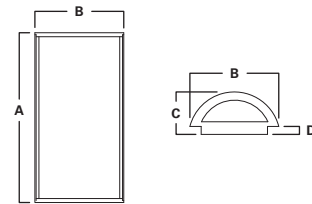
NOTES: 1. Available in 12". 2. Available in 16". 3. Available with CFL only (347V not available in 13W). 4. Interior applications only.

FEATURES

- Interior Wall Luminous Half Cylinder Luminaire
- Painted or plated solid aluminum frame and bottom end caps
- Standard: Natural Aluminum; Premium: Contact factory for finishes
- Integral electronic HPF, multi-volt 120/277V (347V Canada)
- Universal circular strap for a standard 4" J-box or plaster ring
- 1/8" matte white extruded acrylic panel and open top
- Available for MRI applications (INC only) - contact factory
- UL and CUL approved for interior and damp locations. ADA compliant

Compliances may not apply to all product configurations. Please consult the product spec sheet for compliance details.

COMPLIANCES: UL/cUL Listed - Damp Location, ARRA Compliant, ADA Compliant



673 SERIES

Standard Sizes	A	B	C	D
12	12" [305mm]	8-3/8" [213mm]	4" [102mm]	3/4" [19mm]
16	16" [406mm]	8-3/8" [213mm]	4" [102mm]	3/4" [19mm]
25	25" [635mm]	8-3/8" [213mm]	4" [102mm]	3/4" [19mm]
37	37" [940mm]	8-3/8" [213mm]	4" [102mm]	3/4" [19mm]

ORDERING INFORMATION

SAMPLE NUMBER: 673-25-W-T5/2/14-120V-ALP-2HTB/2VTB

Series	Size	Mounting Type	Lamp	Voltage	Finish	Options
673=Luminous Half Cylinder	12=12" 16=16" 25=25" 37=37"	W=Wall Mount	CFL/1/18 ¹ CFL/2/18 ¹ CFL/2/27 ² INC/1/60 ¹ INC/2/60 ²	120V 277V ⁵ 347V ⁵	Premium ALP=Aluminum Paint CC=Custom Color GNM=Gun Metal MW=Matte White	OBRS=Oxidized Brass OCP=Oxidized Copper PB=Polished Brass PC=Polished Chrome PCP=Polished Copper PN=Polished Nickel SAL=Lacquered Satin Aluminum SB=Satin Brass SCP=Satin Copper SN=Satin Nickel Standard NA=Natural Aluminum

Options⁶

- 2HTB=Two Horizontal Trim Bars
- 2HTB/1PVTB/SE=Two Horizontal and 1 Proud Vertical Trim Bar with Solid Ends
- 2HTB/2PEVTB/SE=Two Horizontal and Two Proud Vertical Extended Trim Bars with Solid Ends
- 2HTB/2VTB=Two Horizontal and Vertical Trim Bars
- 2HTB/2VTB/PC=Two Horizontal and Vertical Trim Bars with Perf Center
- 2VTB=Two Vertical Trim Bars
- 2VTB/PS=Two Vertical Trim Bars with Perforated Sides
- 3HTB/1VTB/P=Three Horizontal and One Vertical Trim Bars with Perf

- BC=Closed Bottom Cover
- DL=Damp Location⁷
- DML=Dimming Ballast (Lutron)⁸
- FD=Hand Painted Faux Alabaster Diffuser
- IEM=Integral Emergency Ballast⁸
- LND=Hand Painted Faux Linen Diffuser
- REM=Remote Emergency Battery⁹
- TC=Matte White Acrylic Top Cover

NOTES: 1. Available in 12". 2. Available in 16". 3. Available in 25". 4. Available in 37". 5. Available with CFL only. 6. Refer to specification sheet for additional trim options. 7. Interior applications only. 8. Available in 25" and 37" only (Fluorescent lamping). 9. Supplied by others.

Specifications and dimensions subject to change without notice. Consult your Cooper Lighting Representative or visit www.cooperlighting.com for available options, accessories and ordering information.



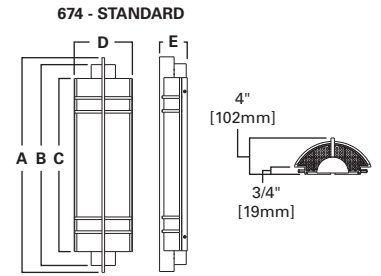
674 SERIES

FEATURES

- Interior Wall Luminous Luminaire
- Painted, natural or plated solid aluminum frame
- Integral electronic HPF, multi-volt 120/277V (347V Canada-except 13W)
- Standard: Natural Aluminum; Premium: Contact factory for finishes
- Universal circular strap for a standard 4" J-box or plaster ring
- 1/8" matte white acrylic panel
- Open top and bottom with a regressed aluminum perf shield
- UL and CUL approved for interior and damp locations, ADA compliant

Compliances may not apply to all product configurations. Please consult the product spec sheet for compliance details.

COMPLIANCES: UL/cUL Listed - Damp Location, ARRA Compliant, ADA Compliant



Standard Sizes	A	B	C	D	E
31	31" [787mm]	29" [737mm]	25" [635mm]	8-3/8" [213mm]	4" [102mm]
43	43" [1245mm]	41" [1041mm]	37" [940mm]	8-3/8" [213mm]	4" [102mm]
55	55" [1397mm]	53" [1346mm]	49" [1245mm]	8-3/8" [213mm]	4" [102mm]

ORDERING INFORMATION

SAMPLE NUMBER: 674-31-W-T5/2/14-120V-SAL-FD

Series	Size	Mounting Type	Lamp	Voltage	Finish
674=Interior Luminous Wall Sconce	31=31" 43=43" 55=55"	W=Wall Mount	T5/2/14 ¹ T5/2/21 ² T5/2/28 ³	120V 277V 347V	Premium ALP=Aluminum Paint BM=Bronze Metallic Paint CC=Custom Color DP=Dark Platinum Paint GM=Gold Metallic Paint GMN=Gun Metal GRM =Graphite Metallic GY =Grey MW =Matte White OBRS =Oxidized Brass OCP =Oxidized Copper PB =Polished Brass PCP =Polished Copper PN =Polished Nickel SAL =Lacquered Satin Aluminum SB =Satin Brass SCP =Satin Copper Standard NA=Natural Aluminum

Options

- DL=Damp Location⁴
- DMA10=Dimming Ballast (Advance Mark 10)^{2,3}
- DMA7=Dimming Ballast (Advance Mark 7)^{2,3}
- DML=Dimming Ballast (Lutron)
- FD=Hand Painted Faux Alabaster Diffuser
- GGA=Green Glass Acrylic
- IEM=Integral Emergency Ballast^{2,3}
- LND=Hand Painted Faux Linen Diffuser
- REM=Remote Emergency Battery⁵

NOTES: 1. Available in 31". 2. Available in 43". 3. Available in 55". 4. Interior applications only. 5. Supplied by others.



683 SERIES

FEATURES

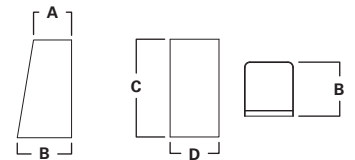
- Interior Wall Direct/Indirect Luminaire
- Painted, natural or plated solid aluminum cylinder
- Integral electronic HPF, multi-volt 120/277V (347V Canada-except 13W)
- Standard: Natural Aluminum; Premium: Contact factory for finishes
- Universal circular strap for a standard 4" J-box or plaster ring
- Available for MRI applications (INC only) - contact factory
- UL, CUL approved for interior, damp locations; ADA compliant (683/4)

Compliances may not apply to all product configurations. Please consult the product spec sheet for compliance details.

COMPLIANCES: UL/cUL Listed - Damp Location, ARRA Compliant, ADA Compliant



683 STANDARD



Standard Sizes	A	B	C	D
683	3-1/2" [89mm]	5" [127mm]	9" [229mm]	4-1/2" [114mm]
683/4	4" [102mm]	4" [102mm]	9" [229mm]	4-1/2" [114mm]

ORDERING INFORMATION

SAMPLE NUMBER: 683-W-CFL/1/26-120V-GRM

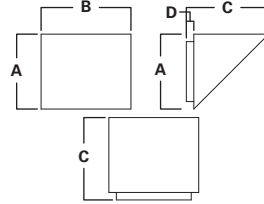
Series	Mounting Type	Lamp	Voltage	Finish	Options
683=Wall Sconce 683/4=Wall Sconce (ADA)	W=Wall Mount	CFL/1/13 CFL/1/26 INC/1/60	120V 277V ¹ 347V ¹	Premium ALP=Aluminum Paint BM=Bronze Metallic Paint CC=Custom Color DP=Dark Platinum Paint GM=Gold Metallic Paint GRM =Graphite Metallic GY =Grey MW =Matte White WH =White Standard NA=Natural Aluminum	DL=Damp Location ² REM=Remote Emergency Battery ³

NOTES: 1. Available with CFL only (347V not available in 13W). 2. Interior applications only. 3. Supplied by others.

FEATURES

- Interior Wall Classic Geometric Wedge Indirect Luminaire
- Painted or plated cold-rolled steel base metal
- Integral electronic HPF multi-volt 120/277V (347V Canada-except 13W)
- Standard: Matte White; Premium: Contact factory for finishes
- Supplied with a mounting back for a standard 4" J-box or stucco ring
- Optional aluminum cube cell louver, painted white
- Available for MRI applications (INC only) - contact factory
- UL, CUL approved for interior, damp locations; ADA compliant (687/4)

Compliances may not apply to all product configurations. Please consult the product spec sheet for compliance details.
COMPLIANCES: UL/cUL Listed - Damp Location, ARRA Compliant, ADA Compliant



687 AND 687/4 SERIES

Standard Sizes	A	B	C	D
687-9	8" [203mm]	9" [229mm]	9" [229mm]	1" [25mm]
687/4-9	8" [203mm]	9" [229mm]	4" [102mm]	3/8" [10mm]
687-12	10" [254mm]	12" [305mm]	11" [711mm]	1" [25mm]
687/4-12	10" [254mm]	12" [305mm]	4" [102mm]	3/8" [10mm]

ORDERING INFORMATION

SAMPLE NUMBER: 687/4-9-W-CFL/1/26-120V-BPL/SHL

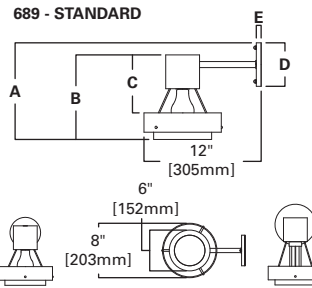
Series	Size	Mounting Type	Lamp	Voltage	Finish ⁷
687=Geometric Wedge 687/4=Geometric Wedge (ADA)	12=12" 9=9"	W=Wall Mount	CFL/1/13 ^{1,2} CFL/1/26 ^{1,2,3} CFL/1/32 ^{1,3} CFL/2 (26/32W-Triple) ^{4,3} INC/1/75 ^{1,2,3} INC/2/75 ^{4,2,3} MH/1/100 ^{4,3} MH/1/50 ^{4,3} MH/1/70 ^{4,3}	120V 277V ⁵ 347V ⁵	Premium ALP=Aluminum Paint BM=Bronze Metallic Paint CC=Custom Color GM=Gold Metallic Paint GNM=Gun Metal NA=Natural Aluminum OBRS=Oxidized Brass OBZ =Hand Oxidized Bronze OCP =Oxidized Copper PB =Polished Brass PC =Polished Chrome PCP =Polished Copper PN =Polished Nickel Standard MW=Matte White SAL =Lacquered Satin Aluminum SB =Satin Brass SC =Satin Chrome SCP =Satin Copper SN =Satin Nickel
Color ⁶			Pattern ⁸	Options	
Custom Decorative Metals BPL=Black Pearl BRS=Brass CBT=Cabernet CLE=Chocolate CLR=Clear CMP=Champagne		CPR=Copper IDO=Indigo PWR=Pewter RBE=Royal Blue SGE=Sage SGN=Slate Green SPE=Sapphire	COL=Coral SHL=Seashell SMT=Smooth	BPP=Blue Punch Pattern CL=Cube Cell Top Louver DL=Damp Location ⁹ GPP=Green Punch Pattern MEM=Modified Integral Emergency Ballast ^{4,3} PI=Perforated Insert QR=Quartz Restrike ^{4,3} REM=Remote Emergency Battery RPP=Red Punch Pattern TGL=Sandblasted Tempered Glass Lens ¹⁰ WPP=White Punch Pattern YPP=Yellow Punch Pattern	

NOTES: 1. Available in 9". 2. Available with 687/4 Series. 3. Available with 687 Series. 4. Available in 12". 5. CFL and MH only. 6. Available with CFL only (347V not available in 13W). 7. Leave blank if specifying Custom Decorative Metals Finish. 8. Available with Custom Decorative Metal Finish only. 9. Interior applications only. 10. MH only.

FEATURES

- Interior Wall Ring Baffle Luminaire
- Painted or natural aluminum with an aluminum hexcel louver
- Integral electronic HPF, multi-volt 120/277V (347V Canada)
- Standard: Natural Aluminum; Premium: Contact factory for finishes
- Universal circular strap for a standard 4" J-box or plaster ring
- Optional white acrylic baffle or sandblasted tempered clear glass lens
- Available for MRI applications (INC only) - contact factory
- UL and CUL approved for interior and damp locations

Compliances may not apply to all product configurations. Please consult the product spec sheet for compliance details.
COMPLIANCES: UL/cUL Listed - Damp Location, ARRA Compliant



689 SERIES

Standard Sizes	A	B	C	D	E
INC	10" [254mm]	8-3/4" [222mm]	6" [152mm]	4-1/2" [114mm]	1/2" [13mm]
CFL	11-7/8" [301mm]	9-7/8" [251mm]	7-1/8" [181mm]	6" [152mm]	2-1/8" [54mm]

ORDERING INFORMATION

SAMPLE NUMBER: 689-W-INC/1/100-120V-SAL-CBA

Series	Mounting Type	Lamp	Voltage	Finish	Options
689=Ring Baffle with Arm Mount	W=Wall Mount	CFL/1 (26/32W-Triple) INC/1/100 PAR/1/150	120V 277V ¹ 347V ¹	Premium ALP=Aluminum Paint BM=Bronze Metallic Paint CC=Custom Color GM=Gold Metallic Paint MW=Matte White SAL=Lacquered Satin Aluminum Standard NA=Natural Aluminum	AB =Acrylic Baffle CBA =Cobalt Blue Acrylic Baffle DL =Damp Location ² DMA10 =Dimming Ballast (Advance Mark 10) ¹ DMA7 =Dimming Ballast (Advance Mark 7) ¹ DML =Dimming Ballast (Lutron) ¹ PFB =Perforated Band REM =Remote Emergency Battery ³ TL =Tempered Sandblasted Glass Lens

NOTES: 1. Available with CFL only. 2. Interior applications only. 3. Supplied by others.



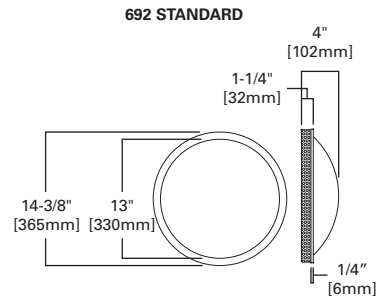
692 SERIES

FEATURES

- Interior Wall Medallion Luminaire
- Painted or plated cold-rolled steel base metal with white acrylic lens
- Integral electronic HPF, multi-volt 120/277V (347V Canada)
- Standard: Matte White; Premium: Contact factory for finishes
- Universal circular strap for a standard 4" J-box or plaster ring
- Optional solid edge detail
- UL and CUL approved for interior and damp locations. ADA compliant

Compliances may not apply to all product configurations. Please consult the product spec sheet for compliance details.

COMPLIANCES: UL/cUL Listed - Damp Location, ARRA Compliant, ADA Compliant



ORDERING INFORMATION

SAMPLE NUMBER: 692-W-T5C/1/22-120V-PC

Series	Mounting Type	Lamp	Voltage	Finish	Options
692=Medallion	W=Wall Mount	INC/2/40 T5C/1/22 T5C/1/40	120V 277V ¹ 347V ¹	Premium ALP=Aluminum Paint BM=Bronze Metallic Paint CC=Custom Color GM=Gold Metallic Paint GNM=Gun Metal OBRS=Oxidized Brass OCP=Oxidized Copper PB=Polished Brass	PC=Polished Chrome PCP=Polished Copper PN=Polished Nickel SB=Satin Brass SC=Satin Chrome SCP=Satin Copper SN=Satin Nickel Standard MW=Matte White

NOTES: 1. Available with CFL only. 2. Interior applications only. 3. Supplied by others.



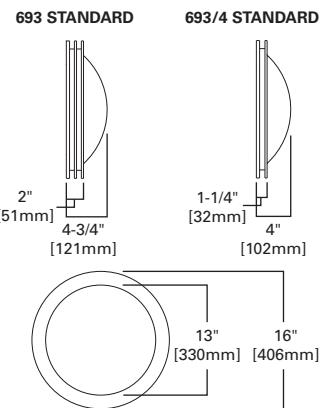
693 AND 693/4 SERIES

FEATURES

- Interior Wall Medallion Ring Luminaire
- Painted steel or plated solid brass with white acrylic lens
- Integral electronic HPF, multi-volt 120/277V (347V Canada)
- Standard: Matte White; Premium: Contact factory for finishes
- Universal circular strap for a standard 4" J-box or plaster ring
- Optional trim bar options
- Available for MRI applications (INC only) - contact factory
- UL, CUL approved for interior, damp locations; ADA compliant (693/4)

Compliances may not apply to all product configurations. Please consult the product spec sheet for compliance details.

COMPLIANCES: UL/cUL Listed - Damp Location, ARRA Compliant, ADA Compliant



ORDERING INFORMATION

SAMPLE NUMBER: 693/4-W-T5C/1/22-120V-OCP-FD

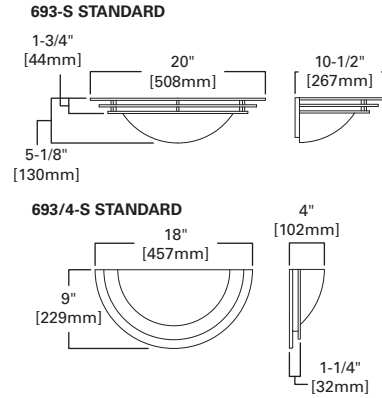
Series	Mounting Type	Lamp	Voltage	Finish ²	Options
693=Medallion with Three Floating Rings 693/4=Medallion with Two Floating Rings (ADA)	W=Wall Mount	INC/2/40 T5C/1/22 T5C/1/40	120V 277V ¹ 347V ¹	Premium ALP=Aluminum Paint BM=Bronze Metallic Paint CC=Custom Color GM=Gold Metallic Paint GNM=Gun Metal NA=Natural Aluminum OBRS=Oxidized Brass OCP=Oxidized Copper PB=Polished Brass PC=Polished Chrome	PCP=Polished Copper PN=Polished Nickel SAL=Lacquered Satin Aluminum SB=Satin Brass SC=Satin Chrome SCP=Satin Copper SN=Satin Nickel Standard MW=Matte White

NOTES: 1. Available with CFL only. 2. For polished finishes the bottom inside edge of the ring is satin to prevent upper ring reflections. 3. Interior applications only. 4. Supplied by others.

FEATURES

- Interior Wall Stepped Ring Luminaire
- Painted or plated cold-rolled steel base metal with white acrylic lens
- Integral electronic HPF, multi-volt 120/277V (347V Canada)
- Standard: Matte White; Premium: Contact factory for finishes
- Universal circular strap for a standard 4" J-box or stucco ring
- Optional Hexcel Top Louver
- Refer to shaperlighting.com for complete photometrics
- UL, CUL approved for interior, damp locations; ADA compliant (693S/4)

Compliances may not apply to all product configurations. Please consult the product spec sheet for compliance details.
COMPLIANCES: UL/cUL Listed - Damp Location, ARRA Compliant, ADA Compliant



693S AND 693S/4 SERIES

ORDERING INFORMATION

SAMPLE NUMBER: 693S/4-CFL/1/26-120V-SB-FB

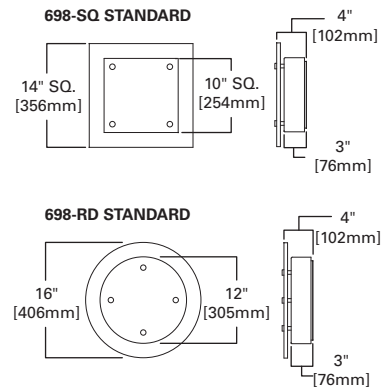
Series	Mounting Type	Lamp	Voltage	Finish	Options	
693S=Stepped Ring Sconce 693S/4=Stepped Ring Sconce (ADA)	W=Wall Mount	CFL/2/26 ¹ CFL/2/7 ^{2,3} INC/1/75	120V 277V ⁴ 347V ⁴	Premium ALP=Aluminum Paint BM=Bronze Metallic Paint CC=Custom Color GM=Gold Metallic Paint GNM=Gun Metal OBRS=Oxidized Brass OCP=Oxidized Copper PB=Polished Brass Standard MW=Matte White	PC=Polished Chrome PCP=Polished Copper PN=Polished Nickel SB=Satin Brass SC=Satin Chrome SCP=Satin Copper SN=Satin Nickel Standard MW=Matte White	DL=Damp Location ⁵ FB=Hand Painted Faux Alabaster Bowl HL=Hexcel Louver LNB=Hand Painted Faux Linen Bowl REM=Remote Emergency Battery ⁶

NOTES: 1. Available with 693-S Series. 2. Available in 120V only. 3. Available with 693/4-S Series. 4. Available with CFL only. 5. Interior applications only. 6. Supplied by others.

FEATURES

- Interior Wall Luminous Medallion Luminaire
- Pre-painted white aluminum mounting pan with white acrylic diffuser
- Integral electronic HPF, multi-volt 120/277V (347V Canada-except 13W)
- Standard: Matte White; Premium: Contact factory for finishes
- Universal circular strap for a standard 4" J-box or plaster ring
- Clear acrylic round or square panel with frosted center
- Available for MRI applications (INC only) - contact factory
- UL and CUL approved for interior and damp locations. ADA compliant

Compliances may not apply to all product configurations. Please consult the product spec sheet for compliance details.
COMPLIANCES: UL/cUL Listed - Damp Location, ARRA Compliant, ADA Compliant



698 SERIES

ORDERING INFORMATION

SAMPLE NUMBER: 698RD-W-CFL/2/26-120V-ALP-GGA

Series	Mounting Type	Lamp	Voltage	Finish	Options	
698RD=Round Luminous Medallion 698SQ=Square Luminous Medallion	W=Wall Mount	CFL/2/13 CFL/2/26 INC/2/40	120V 277V ¹ 347V ¹	Premium ALP=Aluminum Paint BM=Bronze Metallic Paint CC=Custom Color GM=Gold Metallic Paint GNM=Gun Metal NA=Natural Aluminum OBRS=Oxidized Brass OCP=Oxidized Copper PB=Polished Brass PC=Polished Chrome Standard MW=Matte White	PCP=Polished Copper PN=Polished Nickel SAL=Lacquered Satin Aluminum SB=Satin Brass SC=Satin Chrome SCP=Satin Copper SN=Satin Nickel Standard MW=Matte White	AE=Acrylic "Agate" DL=Damp Location ² DMA10=Dimming Ballast (Advance Mark 10) ³ DMA7=Dimming Ballast (Advance Mark 7) ³ DML=Dimming Ballast (Lutron) ³ F=Frame GGA=Green Glass Acrylic GL=Sandblasted Plate Glass Shield PCH=Acrylic "Peach" QZ=Acrylic "Quartz" REM=Remote Emergency Battery ⁴ TBC=Top and Bottom Cover ³ VRD=Acrylic "Verdi"

NOTES: 1. Available with CFL only (347V not available in 13W). 2. Interior applications only. 3. Available with CFL/2/26W lamping option only. 4. Supplied by others. 5. 698-SQ (Square) only.



1300-WP SERIES

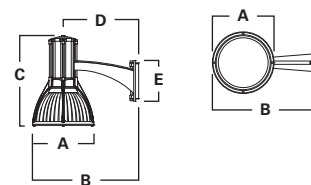
FEATURES

- High Performance Exterior Wall Direct Hi-Bay Luminaire
- The housing is cast and extruded aluminum
- Integral CFL electronic HPF, multi-volt 120/277V (347V Canada)
- Standard: Aluminum Paint; Premium: Contact factory for finishes
- 10-gauge cold-rolled steel mounting plate
- Optic Shroud for exterior location will always be painted
- Optional direct Reflector with Optic Shroud or Clear Glass Refractors
- UL and CUL approved for wet locations

Compliances may not apply to all product configurations. Please consult the product spec sheet for compliance details.
COMPLIANCES: UL/cUL Listed - Wet Location, ARRA Compliant, EISA Compliant



**1300-WP-DSAW*
(DIRECT SMALL ARM WALL)**



Standard Sizes	A	B	C	D	E
WP-14	14" [357mm]	24" [533mm]	20-1/2" [521mm]	17-1/8" [435mm]	9-1/4" [235mm]
WP-18	17-3/8" [441mm]	30-5/8" [778mm]	27-1/4" [692mm]	21-7/8" [556mm]	11-7/8" [302mm]

*Note: All above drawings are shown with Glass Refractor (GR) optic.

ORDERING INFORMATION

SAMPLE NUMBER: 1300-14-WP/DSAW-CFL/2/42/277V-BM-GR/INOS

Series	Size	Mounting Types	Lamp	Voltage	Finish	Distribution (MP, HAL, INC lamps only)	
1300	14=14" 18=18"	WP/DSAW=Wet Location - Direct Small Arm Wall	14"	18"	120V 277V 347V ¹	Premium BM=Bronze Metallic Paint CC=Custom Color WH=White Standard ALP=Aluminum Paint	M=Medium N=Narrow WD=Wide
			CFL/1/26	CFL/2/26			
	CFL/1/32		CFL/2/32				
	CFL/1/42		CFL/2/42				
	CFL/2/26		CFL/4/26				
	CFL/2/32		CFL/4/32				
	CFL/2/42		CFL/4/42				
	HAL/1/250		MP/1/100				
	INC/1/200		MP/1/175				
	MP/1/100		MP/1/250				
	MP/1/39						
	MP/1/50						
MP/1/70							
Optics			Options				
GR=Glass Refractor GR/INOS=Glass Refractor with Indirect Optic Shroud ² GR/OS=Glass Refractor with Optic Shroud ² OS=Optic Shroud ² ROS=Reflector Optic Shroud ^{3,2}			FGS=Frosted Glass Lens QR=Quartz Restrike				

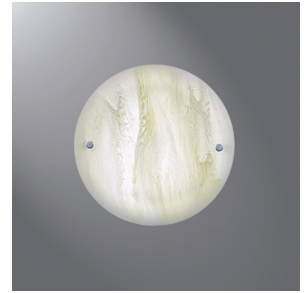
NOTES: 1. Available with CFL only. 2. Shroud will always be a painted to match specified finish. 3. ROS (Reflector Optic Shroud) is only available with HAL, INC and MH lamping options.

FEATURES

- Exterior Recessed Wall with Decorative Element Luminaire
- Rugged die-cast aluminum construction, stainless steel hardware
- Integral electronic CFL HPF, 120V or 277V
- Standard: White; Premium: Contact factory for finishes
- The back box is available to ship in advance for rough-in purposes
- Vandal-resistant set-screw in Decorative Element standoffs
- Double protected: chromate conversion undercoating, powder coat finish
- UL, CUL approved for IP68 wet location rating; ADA compliant, IC-rated

Compliances may not apply to all product configurations. Please consult the product spec sheet for compliance details.

COMPLIANCES: UL/cUL Listed - Wet Location, IP68 Rated, IC Rated, ADA Compliant



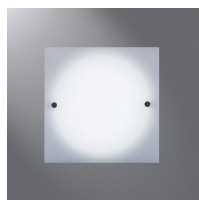
613-WP SERIES

ORDERING INFORMATION

SAMPLE NUMBER: 613SQ-6-WP/MY-HAL/1/20-120V-BM-FA

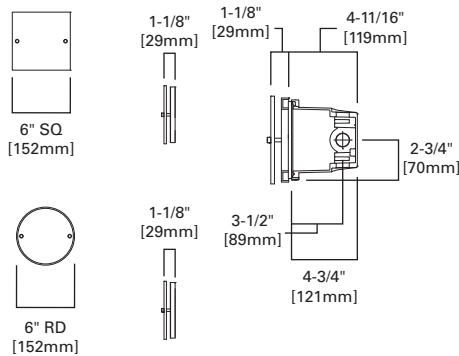
Series	Element Diameter	Wall Type	Lamp	Voltage	Finish	Decorative Elements	Options
613RD=Recessed Round Wall Luminaire 613SQ=Recessed Square Wall Luminaire	6" 8"	WP/CP=Wet Location -Wall Concrete WP/MY=Wet Location - Wall Masonry	CFL/1/13 (8") HAL/1/20 LED/1/12 (8") LED/1/4 (6") MH/1/20 (8")	120V 120V/12V (LED/HAL) 277V (MH/CFL)	Premium ALP=Aluminum Paint BK=Black BM=Bronze Metallic Paint CC=Custom Color DP=Dark Platinum Paint GM=Gold Metallic Paint GRM=Graphite Metallic GY=Grey Standard WH=White	ETS=English Toffee Swirl FA=Frosted Acrylic MSL=Mocha Swirl WSL=White Swirl	ADR=Adaptor Ring

ALTERNATE MATERIALS AND FINISHES

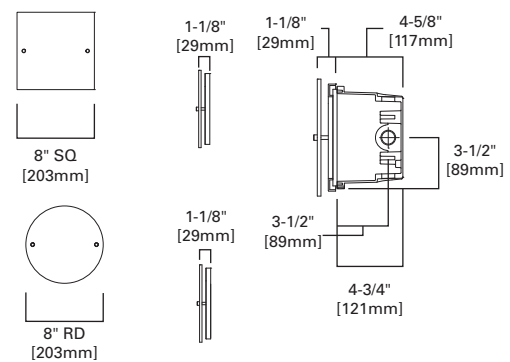


Frosted Acrylic

613-WP - 6" STANDARD



613-WP - 8" STANDARD



Specifications and dimensions subject to change without notice. Consult your Cooper Lighting Representative or visit www.cooperlighting.com for available options, accessories and ordering information.



632-WP SERIES

FEATURES

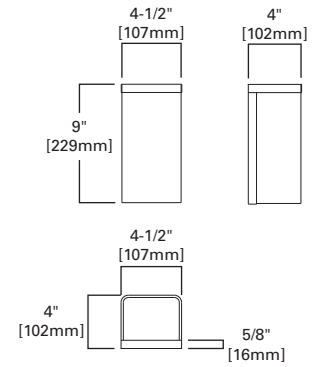
- Exterior Wall Luminous Shield Luminaire
- Solid aluminum construction with a matte white acrylic diffuser
- Integral electronic HPF, multi-volt 120/277V (347V Canada-except 13W)
- Standard: Black or White; Premium: Contact factory for finishes
- Universal circular strap for a standard 4" J-box or plaster ring
- Open bottom and enclosed top
- UL and CUL approved for interior and damp locations; ADA compliant

Compliances may not apply to all product configurations. Please consult the product spec sheet for compliance details.

COMPLIANCES: UL/cUL Listed - Wet Location, ARRA Compliant, ADA Compliant



632-WP STANDARD

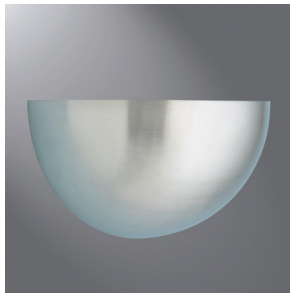


ORDERING INFORMATION

SAMPLE NUMBER: 632-WP-CFL/1/26-277V-BK

Series	Mounting Type	Lamp	Voltage	Finish ²
632=Luminous Shield	WP=Wet Location	CFL/1/13 CFL/1/26 INC/1/60	120V 277V ¹ 347V ¹	Premium ALP=Aluminum Paint BM=Bronze Metallic Paint CC=Custom Color DP=Dark Platinum Paint GM=Gold Metallic Paint GRM=Graphite Metallic GY=Grey Standard BK=Black WH=White

NOTES: 1. Available with CFL only (347V not available in 13W). 2. Premium TGIC polyester powder coat paint, 2.5 mil nominal thickness for superior protection against fade and wear.



641-WP SERIES

FEATURES

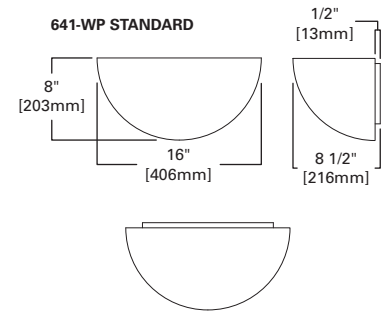
- Exterior Wall Quarter Sphere Luminaire
- Aluminum or solid bronze base metal
- Integral electronic HPF, multi-volt 120/277V (347V Canada)
- Standard: Natural Bronze; Premium: Contact factory for finishes
- Universal circular strap for a standard 4" J-box or stucco ring
- Cast aluminum internal lamp assembly with clear lens
- Tempered Clear Lens (for INC and MH)
- UL and CUL listed for wet location

Compliances may not apply to all product configurations. Please consult the product spec sheet for compliance details.

COMPLIANCES: UL/cUL Listed - Wet Location, ARRA Compliant



641-WP STANDARD



ORDERING INFORMATION

SAMPLE NUMBER: 641-WP-CFL/1/32-120V-GRM

Series	Mounting Type	Lamp	Voltage	Finish ^{3,4}	Options
641=Quarter Sphere	WP=Wet Location	CFL/1 (26/32/42W-Triple) INC/1/75 MH/1/50	120V 277V ¹ 347V ²	Premium ALP=Aluminum Paint BK=Black BM=Bronze Metallic Paint CC=Custom Color DP=Dark Platinum Paint GM=Gold Metallic GRM=Graphite Metallic GY=Grey VG=Verdigris WH=White Standard NBZ=Natural Bronze	C=Rear (through wall) Feed Conduit Mounting

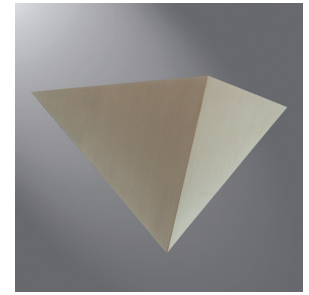
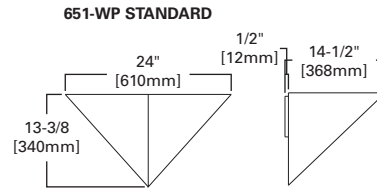
NOTES: 1. CFL and MH only. 2. Available with CFL only. 3. Premium TGIC polyester powder coat paint, 2.5 mil nominal thickness for superior protection against fade and wear. 4. Bronze will weather to a dark bronze patina.

Specifications and dimensions subject to change without notice. Consult your Cooper Lighting Representative or visit www.cooperlighting.com for available options, accessories and ordering information.

FEATURES

- Exterior Wall Half Pyramid Luminaire
- Painted solid aluminum or solid bronze
- Integral electronic HPF, multi-volt 120/277V (347V Canada)
- Standard: Natural Bronze; Premium: Contact factory for finishes
- Supplied with a mounting back for a standard 4" J-box or stucco ring
- Cast aluminum internal lamp assembly with clear lens
- Tempered Clear Lens (for INC and MH)
- UL and CUL approved for wet locations

Compliances may not apply to all product configurations. Please consult the product spec sheet for compliance details.
COMPLIANCES: UL/cUL Listed - Wet Location, ARRA Compliant



651-WP SERIES

ORDERING INFORMATION

SAMPLE NUMBER: 651-WP-MH/1/50-277V-NBZ-SPB

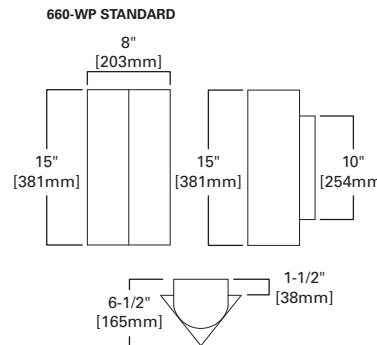
Series	Mounting Type	Lamp	Voltage	Finish ^{3,4}	Options
651=Half Pyramid	WP=Wet Location	CFL/1 (26/32/42W-Triple) INC/1/75 MH/1/50	120V 277V ¹ 347V ²	Premium ALP=Aluminum Paint BK=Black BM=Bronze Metallic Paint CC=Custom Color DP=Dark Platinum Paint GM=Gold Metallic Paint GRM=Graphite Metallic GY=Grey VG=Verdigris WH=White Standard NBZ=Natural Bronze	BLSL =Frosted Blue Luminous Slots C =Rear (through wall) Feed Conduit Mounting LSL =Frosted White Luminous Slots SPB =Square Perforated Band

NOTES: 1. CFL and MH only. 2. Available with CFL only. 3. Premium TGIC polyester powder coat paint, 2.5 mil nominal thickness for superior protection against fade and wear. 4. Bronze and copper will weather to a dark bronze patina.

FEATURES

- Exterior Wall Floating Shield Luminaire
- Solid bronze shield with open top, sides and bottom
- Integral electronic HPF, multi-volt 120/277V (347V Canada)
- Standard: Natural Bronze; Premium: Contact factory for finishes
- Universal circular strap for a standard 4" J-box or stucco ring
- Fully enclosed lamp compartment
- UL and CUL approved for wet locations

Compliances may not apply to all product configurations. Please consult the product spec sheet for compliance details.
COMPLIANCES: UL/cUL Listed - Wet Location, ARRA Compliant



660-WP SERIES

ORDERING INFORMATION

SAMPLE NUMBER: 660-WP-CFL/1/26-120V-BK

Series	Mounting Type	Lamp	Voltage	Finish ^{2,3}
660=Floating Shield	WP=Wet Location	CFL/1/26 CFL/1/32 INC/1/60	120V 277V ¹ 347V ¹	Premium ALP=Aluminum Paint BK=Black BM=Bronze Metallic Paint CC=Custom Color DP=Dark Platinum Paint GM=Gold Metallic Paint GRM=Graphite Metallic GY=Grey VG=Verdigris WH=White Standard NBZ=Natural Bronze

NOTES: 1. Available with CFL only. 2. Premium TGIC polyester powder coat paint, 2.5 mil nominal thickness for superior protection against fade and wear. 3. Bronze will weather to a dark bronze patina.

Specifications and dimensions subject to change without notice. Consult your Cooper Lighting Representative or visit www.cooperlighting.com for available options, accessories and ordering information.



666-WP SERIES

FEATURES

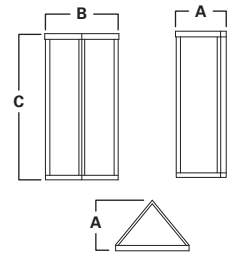
- Exterior Wall Luminous Lantern Luminaire
- Solid bronze frame with an enclosed top (open top for damp location)
- Integral electronic HPF, multi-volt 120/277V (347V Canada-except 13W)
- Standard: Natural Bronze; Premium: Contact factory for finishes
- Supplied with a mounting back for a standard 4" J-box or stucco ring
- White acrylic or various diffuser options
- UL and CUL approved for wet locations

Compliances may not apply to all product configurations. Please consult the product spec sheet for compliance details.

COMPLIANCES: UL/cUL Listed - Wet Location, ARRA Compliant



666-WP STANDARD



Standard Sizes	A	B	C
9	5-1/2" [140mm]	8" [203mm]	9" [229mm]
16	5-1/2" [140mm]	8" [203mm]	16" [406mm]

ORDERING INFORMATION

SAMPLE NUMBER: 666-16-WP-CFL/1/27-277V-ALP-OGD

Series	Size	Mounting Type	Lamp	Voltage	Finish 4,5	Options
666=Luminous Lantern	16=16" 9=9"	WP=Wet Location	CFL/1/13 ¹ CFL/1/27 ² INC/1/75 ¹ INC/2/60 ²	120V 277V ³ 347V ³	Premium ALP=Aluminum Paint BK=Black BM=Bronze Metallic Paint CC=Custom Color DP=Dark Platinum Paint GM=Gold Metallic Paint GRM=Graphite Metallic GY=Grey VG=Verdigris WH=White Standard NBZ=Natural Bronze	DL=Damp Location OGD=Opal White Glass Diffuser SGD=Clear Seedy Glass Diffuser ⁶ VRD=Vandal Resistant White Acrylic Diffuser

NOTES: 1. Available in 9". 2. Available in 16". 3. Available with CFL only (347V not available in 13W). 4. Premium TGIC polyester powder coat paint, 2.5 mil nominal thickness for superior protection against fade and wear. 5. Bronze will weather to a dark bronze patina. 6. For use with decorative incandescent lamps only. Consult your representative for additional options and finishes.



672-WP SERIES

FEATURES

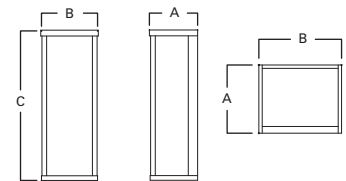
- Exterior Wall "Craftsman" Lantern Luminaire
- Solid bronze frame with an enclosed top (open top for damp location)
- Integral electronic HPF, multi-volt 120/277V (347V Canada-except 13W)
- Standard: Natural Bronze; Premium: Contact factory for finishes
- Supplied with a mounting back for a standard 4" J-box or stucco ring
- White acrylic or various diffuser options
- UL and CUL approved for wet locations

Compliances may not apply to all product configurations. Please consult the product spec sheet for compliance details.

COMPLIANCES: UL/cUL Listed - Wet Location, ARRA Compliant



672-WP STANDARD



Standard Sizes	A	B	C
9	5" [127mm]	6" [152mm]	9" [229mm]
16	5" [127mm]	6" [152mm]	16" [406mm]

ORDERING INFORMATION

SAMPLE NUMBER: 672-9-WP-CFL/1/27-120V-GRM-OGD

Series	Size	Mounting Type	Lamp	Voltage	Finish 4,5	Options
672=Craftsman Lantern	16=16" 9=9"	WP=Wet Location	CFL/1/13 ¹ CFL/1/27 ² CFL/2/27 ² INC/1/75 ¹ INC/2/60 ²	120V 277V ³ 347V ³	Premium ALP=Aluminum Paint BK=Black BM=Bronze Metallic Paint CC=Custom Color DP=Dark Platinum Paint GM=Gold Metallic Paint GRM=Graphite Metallic GY=Grey VG=Verdigris WH=White Standard NBZ=Natural Bronze	DL=Damp Location OGD=Opal White Glass Diffuser SGD=Clear Seedy Glass Diffuser ^{6,7} VRD=Vandal Resistant White Acrylic Diffuser

NOTES: 1. Available in 9". 2. Available in 16". 3. Available with CFL only (347V not available in 13W). 4. Premium TGIC polyester powder coat paint, 2.5 mil nominal thickness for superior protection against fade and wear. 5. Bronze will weather to a dark bronze patina. 6. For use with decorative incandescent lamps only. Consult your representative for additional options and finishes. 7. For use with decorative incandescent lamps only.

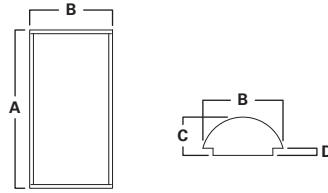
Specifications and dimensions subject to change without notice. Consult your Cooper Lighting Representative or visit www.cooperlighting.com for available options, accessories and ordering information.

FEATURES

- Exterior Wall Luminous Half Cylinder Luminaire
- Painted or plated solid aluminum frame with enclosed top
- Integral electronic HPF, multi-volt 120/277V (347V Canada-except 13W)
- Standard: White; Premium: Contact factory for finishes
- Universal circular strap for a standard 4" J-box or plaster ring
- 1/8" sanded white extruded acrylic diffuser and open bottom
- UL and CUL approved for wet locations. ADA compliant

Compliances may not apply to all product configurations. Please consult the product spec sheet for compliance details.

COMPLIANCES: UL/cUL Listed - Wet Location, ARRA Compliant, ADA Compliant



673-WP SERIES

Standard Sizes	A	B	C	D
12	12" [305mm]	8-3/8" [213mm]	4" [102mm]	3/4" [19mm]
16	16" [406mm]	8-3/8" [213mm]	4" [102mm]	3/4" [19mm]
25	25" [635mm]	8-3/8" [213mm]	4" [102mm]	3/4" [19mm]
37	37" [940mm]	8-3/8" [213mm]	4" [102mm]	3/4" [19mm]

ORDERING INFORMATION

SAMPLE NUMBER: 673-16-WP-CFL/2/27-277V-ALP-2HTB

Series	Size	Mounting Type	Lamp	Voltage	Finish ⁶	Options ⁷
673=Luminous Wall Sconce	12=12" 16=16" 25=25" 37=37"	WP=Wet Location	CFL/2/13 ¹ CFL/2/26 ¹ CFL/2/27 ² INC/1/60 ¹ INC/2/60 ² T5/1/14 ³ T5/1/21 ⁴ T5/2/14 ³ T5/2/21 ⁴	120V 277V ⁵ 347V ⁵	Premium ALP=Aluminum Paint BK=Black BM=Bronze Metallic Paint CC=Custom Color DP=Dark Platinum Paint GM=Gold Metallic Paint GRM=Graphite Metallic GY=Grey Standard WH=White	2HF=Two Horizontal Fins 2HTB=Two Horizontal Trim Bars 2HTB/1PVTB/PE=Two Horizontal and One Proud Vertical Trim Bars with Perf Ends 2HTB/1PVTB/SE=Two Horizontal and 1 Proud Vertical Trim Bar with Solid Ends 2HTB/2VTB=Two Horizontal and Vertical Trim Bars 2HTB/2VTB/DB=Two Horizontal and Two Vertical Trim Bars with Decorative Balls 2HTB/2VTB/PSSE=Two Horizontal and Two Vertical Trim Bars with Perf Sides and Solid Ends 2VTB=Two Vertical Trim Bars 2VTB/CBC=Two Vertical Trim Bars with Cobalt Blue Center 2VTB/PC=Two Vertical Trim Bars with Perf Center BC=Closed Bottom Cover

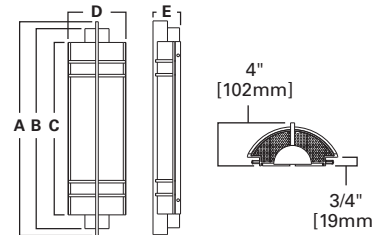
NOTES: 1. Available in 12". 2. Available in 16". 3. Available in 25". 4. Available in 37". 5. Available with CFL only (347V not available in 13W). 6. Premium TGIC polyester powder coat paint, 2.5 mil nominal thickness for superior protection against fade and wear. 7. Refer to specification sheet for additional trim options.

FEATURES

- Exterior Wall Luminous Luminaire
- Painted solid aluminum frame with a matte white acrylic diffuser
- Integral electronic HPF, multi-volt 120/277V (347V Canada)
- Standard: Aluminum Paint; Premium: Contact factory for finishes
- Supplied with a mounting back for a standard 4" J-box or stucco ring
- Lamp and ballast housing with 1/8" clear acrylic diffuser
- UL and CUL approved for wet locations. ADA compliant

Compliances may not apply to all product configurations. Please consult the product spec sheet for compliance details.

COMPLIANCES: UL/cUL Listed - Wet Location, ARRA Compliant, ADA Compliant



674-WP SERIES

Standard Sizes	A	B	C	D	E
31	31" [787mm]	29" [737mm]	25" [635mm]	8-3/8" [213mm]	4" [102mm]
43	43" [1245mm]	41" [1041mm]	41" [940mm]	37" [213mm]	8-3/8" [102mm]
55	55" [1397mm]	53" [1346mm]	49" [1245mm]	8-3/8" [213mm]	4" [102mm]

ORDERING INFORMATION

SAMPLE NUMBER: 674-55-WP-T5/2/28-277V-CAL

Series	Size	Mounting Type	Lamp	Voltage	Finish ⁴	Options
674=Luminous Sconce	31=31" 43=43" 55=55"	WP=Wet Location	T5/2/14 ¹ T5/2/21 ² T5/2/28 ³	120V 277V 347V	Premium BK=Black BM=Bronze Metallic Paint CC=Custom Color DP=Dark Platinum Paint GM=Gold Metallic Paint GRM=Graphite Metallic GY=Grey WH=White Standard ALP=Aluminum Paint	GGA=Green Glass Acrylic

NOTES: 1. Available in 31". 2. Available in 43". 3. Available in 55". 4. Premium TGIC polyester powder coat paint, 2.5 mil nominal thickness for superior protection against fade and wear.



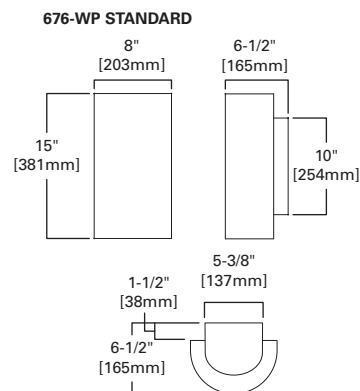
676-WP SERIES

FEATURES

- Solid bronze with open top, sides and bottom
- Fully enclosed lamp compartment
- Integral electronic HPF, multi-volt 120/277V (347V Canada)
- Standard: Natural Bronze; Premium: Contact factory for finishes
- Universal circular strap for a standard 4" J-box or stucco ring
- UL and CUL approved for wet locations

Compliances may not apply to all product configurations. Please consult the product spec sheet for compliance details.

COMPLIANCES: UL/cUL Listed - Wet Location, ARRA Compliant

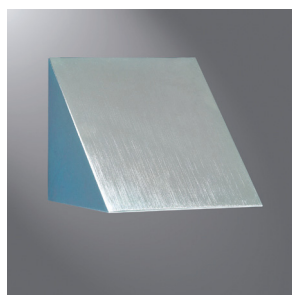


ORDERING INFORMATION

SAMPLE NUMBER: 676-WP-CFL/1/26-277V-DP

Series	Mounting Type	Lamp	Voltage	Finish ^{2,3}	Options
676=Floating Curved Shield	WP=Wet Location	CFL/1/26 CFL/1/32 INC/1/60	120V 277V ¹ 347V ¹	Premium ALP=Aluminum Paint BK=Black BM=Bronze Metallic Paint CC=Custom Color DP=Dark Platinum Paint GM=Gold Metallic Paint GRM=Graphite Metallic GY=Grey VG=Verdigris WH=White Standard NBZ=Natural Bronze	ACB=Accent Balls FCT=Floating Cut Out

NOTES: 1. Available with CFL only. 2. Premium TGIC polyester powder coat paint, 2.5 mil nominal thickness for superior protection against fade and wear. 3. Bronze will weather to a dark bronze patina.



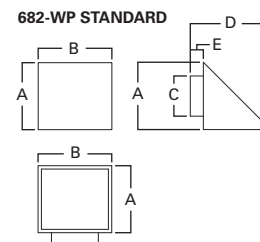
682-WP SERIES

FEATURES

- Exterior Wall "Floating" Wedge Downlight Luminaire
- Painted aluminum or solid bronze shroud with white acrylic diffuser
- Integral electronic HPF, multi-volt 120/277V (347V Canada)
- Standard: Natural Bronze; Premium: Contact factory for finishes
- Supplied with a mounting back for a standard 4" J-box or stucco ring
- Clear textured refractive glass (MH)
- Optional clear tempered glass for full cut-off
- UL and CUL approved for wet locations

Compliances may not apply to all product configurations. Please consult the product spec sheet for compliance details.

COMPLIANCES: UL/cUL Listed - Wet Location, ARRA Compliant, Dark Sky Compliant



Standard Sizes	A	B	C	D	E
8	7" [178mm]	8" [203mm]	5" [127mm]	8-1/2" [216mm]	1-3/8" [35mm]
11	10" [254mm]	11" [279mm]	6" [152mm]	12" [305mm]	2" [51mm]

ORDERING INFORMATION

SAMPLE NUMBER: 682-11-WP-MH/1/50-277V-VG-BN

Series	Size	Mounting Type	Lamp	Voltage	Finish ^{5,6}	Options
682=Floating Wedge Wall Sconce	11=11" 8=8"	WP=Wet Location	CFL/1 (26/32/42W-Triple) ¹ CFL/2 (26/32/42W) ² CFL/2 (26/32W-Triple) ¹ INC/1/100 ² INC/1/75 MH/1/100 ² MH/1/50 ² MH/1/70 ²	120V 277V ³ 347V ⁴	Premium ALP=Aluminum Paint BK=Black BM=Bronze Metallic Paint CC=Custom Color DP=Dark Platinum Paint GM=Gold Metallic Paint GRM=Graphite Metallic GY=Grey VG=Verdigris WH=White Standard NBZ=Natural Bronze	BN=Blunt Nose C=Rear (through wall) Feed Conduit Mounting PH=Photocell QR=Quartz Restrike ^{7,2} TGL=Sandblasted Tempered Glass Lens ⁸

NOTES: 1. Available in 8". 2. Available in 11". 3. CFL and MH only. 4. Available with CFL only. 5. Premium TGIC polyester powder coat paint, 2.5 mil nominal thickness for superior protection against fade and wear. 6. Bronze will weather to a dark bronze patina. 7. MH only. 8. For CFL and INC lamping (TGL is standard with MH lamping).

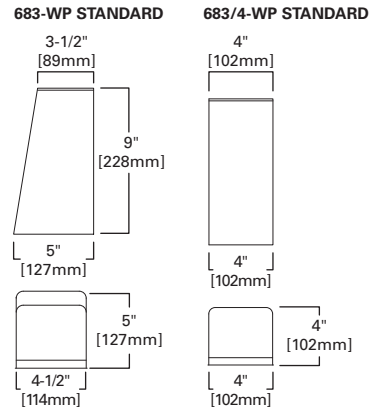
Specifications and dimensions subject to change without notice. Consult your Cooper Lighting Representative or visit www.cooperlighting.com for available options, accessories and ordering information.

FEATURES

- Exterior Wall Cylinder Luminaire
- Solid aluminum with open bottom and enclosed top
- Integral electronic HPF, multi-volt 120/277V (347V Canada-except 13W)
- Standard: Painted Black, White; Premium: Contact factory for finishes
- Universal circular strap for a standard 4" J-box or plaster ring
- UL and CUL approved for wet locations. ADA compliant

Compliances may not apply to all product configurations. Please consult the product spec sheet for compliance details.

COMPLIANCES: UL/cUL Listed - Wet Location, ARRA Compliant, Dark Sky Compliant, ADA Compliant



683-WP AND 683/4-WP SERIES

ORDERING INFORMATION

SAMPLE NUMBER: 683-WP-CFL/1/26-277V-BK

Series	Mounting Type	Lamp	Voltage	Finish ²
683=Cylinder Wall Sconce 683/4=Cylinder Wall Sconce (ADA)	WP=Wet Location	CFL/1/13 CFL/1/26 INC/1/60	120V 277V ¹ 347V ¹	Premium ALP=Aluminum Paint BM=Bronze Metallic Paint CC=Custom Color DP=Dark Platinum Paint GM=Gold Metallic Paint GRM=Graphite Metallic GY=Grey Standard BK=Black WH=White

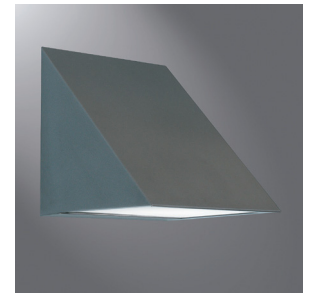
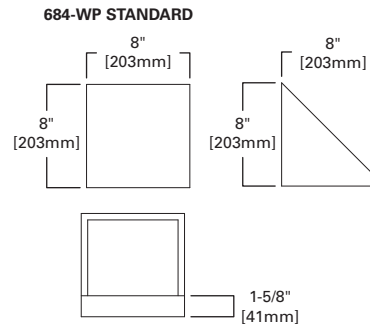
NOTES: 1. Available with CFL only (347V not available in 13W). 2. Premium TGIC polyester powder coat paint, 2.5 mil nominal thickness for superior protection against fade and wear.

FEATURES

- Exterior Wall Wedge Downlight Luminaire
- Painted aluminum or solid bronze shroud with white acrylic diffuser
- Integral electronic HPF, multi-volt 120/277V (347V Canada)
- Standard: Natural Bronze; Premium: Contact factory for finishes
- Supplied with a mounting back for a standard 4" J-box or stucco ring
- Optional clear tempered glass for full cut-off
- Optional rear (through wall) feed conduit mounting
- UL and CUL approved for wet locations

Compliances may not apply to all product configurations. Please consult the product spec sheet for compliance details.

COMPLIANCES: UL/cUL Listed - Wet Location, ARRA Compliant, Dark Sky Compliant



684-WP SERIES

ORDERING INFORMATION

SAMPLE NUMBER: 684-WP-CFL/1-277V-BK

Series	Mounting Type	Lamp	Voltage	Finish ^{2,3}	Options
684=Wedge Wall Sconce	WP=Wet Location	CFL/1 (26/32W-Triple) INC/1/75	120V 277V ¹ 347V ¹	Premium ALP=Aluminum Paint BK=Black BM=Bronze Metallic Paint CC=Custom Color DP=Dark Platinum Paint GM=Gold Metallic Paint GRM=Graphite Metallic GY=Grey VG=Verdigris WH=White Standard NBZ=Natural Bronze	BN=Blunt Nose C=Rear (through wall) Feed Conduit Mounting TGL=Sandblasted Tempered Glass Lens

NOTES: 1. Available with CFL only. 2. Premium TGIC polyester powder coat paint, 2.5 mil nominal thickness for superior protection against fade and wear. 3. Bronze will weather to a dark bronze patina.



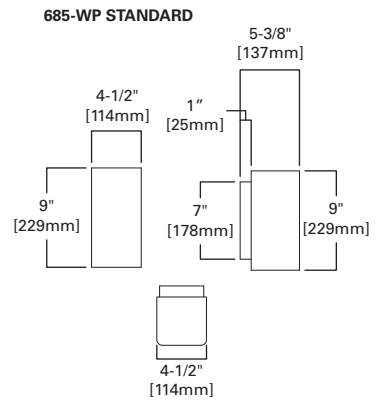
685-WP SERIES

FEATURES

- Exterior Wall Direct Square Cylinder Luminaire
- Solid bronze with an enclosed top and open bottom
- Integral electronic HPF, multi-volt 120/277V (347V Canada)
- Standard: Natural Bronze; Premium: Contact factory for finishes
- Supplied with a mounting back for a standard 4" J-box or stucco ring
- Surface mount conduit power feed - Contact factory
- UL and CUL approved for wet locations

Compliances may not apply to all product configurations. Please consult the product spec sheet for compliance details.

COMPLIANCES: UL/cUL Listed - Wet Location, ARRA Compliant, Dark Sky Compliant

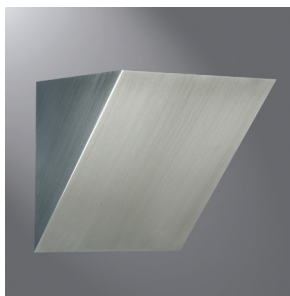


ORDERING INFORMATION

SAMPLE NUMBER: 685-WP-INC/1/75-120V-DP

Series	Mounting Type	Lamp	Voltage	Finish ^{2,3}
685=Square Cylinder	WP=Wet Location	CFL/1/26 CFL/1/32 INC/1/75	120V 277V ¹ 347V ¹	Premium ALP=Aluminum Paint BK=Black BM=Bronze Metallic Paint CC=Custom Color DP=Dark Platinum Paint GM=Gold Metallic Paint GRM=Graphite Metallic GY=Grey VG=Verdigris WH=White Standard NBZ=Natural Bronze

NOTES: 1. Available with CFL only. 2. Premium TGIC polyester powder coat paint, 2.5 mil nominal thickness for superior protection against fade and wear. 3. Bronze will weather to a dark bronze patina.



687-WP SERIES

FEATURES

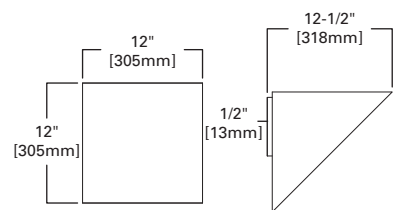
- Exterior Wall Classic Geometric Wedge Indirect Luminaire
- Painted aluminum or solid bronze shroud
- Integral electronic HPF, multi-volt 120/277V (347V Canada)
- Standard: Natural Bronze; Premium: Contact factory for finishes
- Supplied with a mounting back for a standard 4" J-box or stucco ring
- Clear acrylic lens (CFL) or clear tempered glass lens (INC and MH)
- Internal lamp assembly is cast aluminum.
- UL and CUL listed for wet location

Compliances may not apply to all product configurations. Please consult the product spec sheet for compliance details.

COMPLIANCES: UL/cUL Listed - Wet Location, ARRA Compliant



687-WP STANDARD



ORDERING INFORMATION

SAMPLE NUMBER: 687-WP-MH/1/50-277V-GM

Series	Mounting Type	Lamp	Voltage	Finish ^{3,4}	Options
687=Classic Geometric Wedge	WP=Wet Location	CFL/1 (26/32/42W-Triple) INC/1/75 MH/1/50	120V 277V ¹ 347V ²	Premium ALP=Aluminum Paint BK=Black BM=Bronze Metallic Paint CC=Custom Color DP=Dark Platinum Paint GM=Gold Metallic Paint GRM=Graphite Metallic GY=Grey VG=Verdigris WH=White Standard NBZ=Natural Bronze	C=Rear (through wall) Feed Conduit Mounting

NOTES: 1. CFL and MH only. 2. Available with CFL only. 3. Premium TGIC polyester powder coat paint, 2.5 mil nominal thickness for superior protection against fade and wear. 4. Bronze will weather to a dark bronze patina.

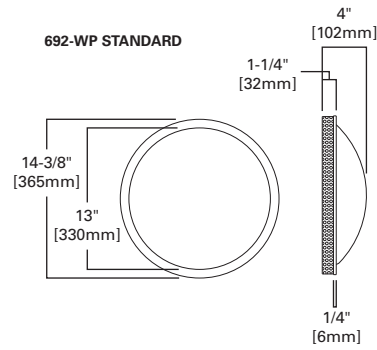
Specifications and dimensions subject to change without notice. Consult your Cooper Lighting Representative or visit www.cooperlighting.com for available options, accessories and ordering information.

FEATURES

- Exterior Wall Medallion Luminaire
- Painted aluminum or solid bronze with a white acrylic lens
- Integral electronic HPF, multi-volt 120/277V (347V Canada)
- Standard: Natural Bronze; Premium: Contact factory for finishes
- Universal circular strap for a standard 4" J-box or stucco ring
- Optional solid edge detail
- UL and CUL approved for wet locations. ADA compliant

Compliances may not apply to all product configurations. Please consult the product spec sheet for compliance details.

COMPLIANCES: UL/cUL Listed - Wet Location, ARRA Compliant, ADA Compliant



692-WP SERIES

ORDERING INFORMATION

SAMPLE NUMBER: 692-WP-T5C/1/22-277V-VG-ST

Series	Mounting Type	Lamp	Voltage	Finish ^{2,3}	Options
692=Luminous Medallion	WP=Wet Location	INC/2/40 T5C/1/22 T5C/1/40	120V 277V ¹ 347V ¹	Premium ALP=Aluminum Paint BK=Black BM=Bronze Metallic Paint CC=Custom Color DP=Dark Platinum Paint GM=Gold Metallic Paint GRM=Graphite Metallic GY=Grey SSS=Satin Stainless Steel VG=Verdigris WH=White Standard NBZ=Natural Bronze	ST=Solid Metal Perimeter Trim

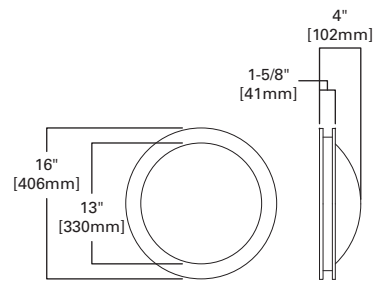
NOTES: 1. Available with CFL only. 2. Premium TGIC polyester powder coat paint, 2.5 mil nominal thickness for superior protection against fade and wear. 3. Bronze will weather to a dark bronze patina.

FEATURES

- Exterior Wall Medallion Ring Luminaire
- Painted aluminum or solid bronze with a white acrylic lens
- Integral electronic HPF, multi-volt 120/277V (347V Canada)
- Standard: Natural Bronze; Premium: Contact factory for finishes
- Universal circular strap for a standard 4" J-box or stucco ring
- Optional trim bars
- UL and CUL approved for wet locations. ADA compliant

Compliances may not apply to all product configurations. Please consult the product spec sheet for compliance details.

COMPLIANCES: UL/cUL Listed - Wet Location, ARRA Compliant, ADA Compliant



693-WP SERIES

ORDERING INFORMATION

SAMPLE NUMBER: 693-WP-T5C/1/22-277V-BM

Series	Mounting Type	Lamp	Voltage	Finish	Options
693=Luminous Medallion Ring	WP=Wet Location	INC/2/40 T5C/1/22 T5C/1/40	120V 277V ¹ 347V ¹	Premium ALP=Aluminum Paint BM=Bronze Metallic Paint CC=Custom Color DP=Dark Platinum Paint GM=Gold Metallic Paint GRM=Graphite Metallic GY=Grey OBZ=Hand Oxidized Bronze VG=Verdigris WH=White Standard NBZ=Natural Bronze	1PHTB/1PVTB=One Proud Vertical and Horizontal Trim Bar ²

NOTES: 1. Available with CFL only. 2. Not available in Natural Bronze (NBZ), Oxidized Bronze (OBZ), and Verdigris (VG) finish.

Specifications and dimensions subject to change without notice. Consult your Cooper Lighting Representative or visit www.cooperlighting.com for available options, accessories and ordering information.



694-WP SERIES

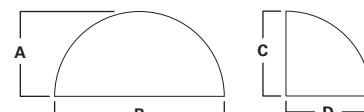
FEATURES

- Exterior Wall Classic Quarter Downlight Luminaire
- Solid bronze hood with white acrylic diffuser (CFL and INC)
- Integral electronic HPF, multi-volt 120/277V (347V Canada)
- Standard: Natural Bronze; Premium: Contact factory for finishes
- Supplied with a mounting back for a standard 4" J-box or stucco ring
- Clear textured refractive glass for (MH)
- Optional rear (through wall) feed conduit mounting
- UL and CUL approved for wet locations

Compliances may not apply to all product configurations. Please consult the product spec sheet for compliance details.
COMPLIANCES: UL/cUL Listed - Wet Location, ARRA Compliant, Dark Sky Compliant



694-WP STANDARD



Standard Sizes	A	B	C	D
12	6" [152mm]	12" [305mm]	6" [152mm]	6" [152mm]
16	8" [203mm]	16" [406mm]	8" [203mm]	8" [203mm]

ORDERING INFORMATION

SAMPLE NUMBER: 694-12-WP-CFL/1/32-120V-GRM

Series	Size	Mounting Type	Lamp	Voltage	Finish ^{5,6}	Options
694=Classic Quarter Sphere	12=12" 16=16"	WP=Wet Location	CFL/1 (26/32W-Triple) ¹ CFL/2 (26/32W-Triple) ² INC/1/75 ¹ INC/2/75 ² MH/1/50 ² MH/1/70 ²	120V 277V ³ 347V ⁴	Premium ALP=Aluminum Paint BK=Black BM=Bronze Metallic Paint CC=Custom Color DP=Dark Platinum Paint GM=Gold Metallic Paint GRM=Graphite Metallic GY=Grey VG=Verdigris WH=White Standard NBZ=Natural Bronze	C=Rear (through wall) Feed Conduit Mounting QR=Quartz Restrike ⁷ TGL=Sandblasted Tempered Glass Lens ⁸

NOTES: 1. Available in 12". 2. Available in 16". 3. CFL and MH only. 4. Available with CFL only. 5. Premium TGIC polyester powder coat paint, 2.5 mil nominal thickness for superior protection against fade and wear. 6. Bronze will weather to a dark bronze patina. 7. Available with MH lamping only. 8. For CFL and INC lamping (TGL is standard with MH lamping).



694RB-WP SERIES

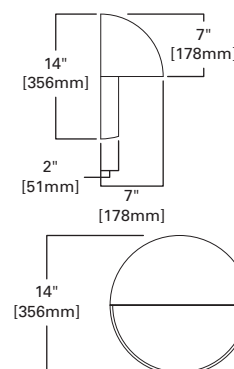
FEATURES

- Exterior Wall Classic Quarter Sphere with Back Panel Luminaire
- Solid bronze with a white acrylic diffuser for CFL
- Integral electronic HPF, multi-volt 120/277V (347V Canada)
- Standard: Natural Bronze; Premium: Contact factory for finishes
- Supplied with mounting back for standard 4" J-box or stucco ring
- Incandescent and clear tempered refractive glass for MH
- Optional rear (through wall) feed conduit mounting
- UL and CUL approved for wet locations

Compliances may not apply to all product configurations. Please consult the product spec sheet for compliance details.
COMPLIANCES: UL/cUL Listed - Wet Location, ARRA Compliant, Dark Sky Compliant



694-WP-RB STANDARD



ORDERING INFORMATION

SAMPLE NUMBER: 694RB-WP-MH/1/70-277V-NBZ

Series	Mounting Type	Lamp	Voltage	Finish ^{3,4}	Options
694RB=Classic Quarter Sphere with Round Back Panel	WP=Wet Location	CFL/1 (26/32/42W-Triple) INC/1/60 MH/1/50 MH/1/70	120V 277V ¹ 347V ²	Premium ALP=Aluminum Paint BK=Black BM=Bronze Metallic Paint CC=Custom Color DP=Dark Platinum Paint GM=Gold Metallic Paint GRM=Graphite Metallic GY=Grey VG=Verdigris WH=White Standard NBZ=Natural Bronze	C=Rear (through wall) Feed Conduit Mounting QR=Quartz Restrike ⁵

NOTES: 1. CFL and MH only. 2. Available with CFL only. 3. Premium TGIC polyester powder coat paint, 2.5 mil nominal thickness for superior protection against fade and wear. 4. Bronze will weather to a dark bronze patina. 5. MH only.

Specifications and dimensions subject to change without notice. Consult your Cooper Lighting Representative or visit www.cooperlighting.com for available options, accessories and ordering information.

FEATURES

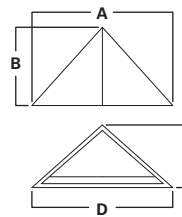
- Exterior Wall Half Pyramid Luminaire
- Solid bronze construction with white acrylic lens (CFL/INC)
- Integral electronic, HPF multi-volt 120V/277V (347V Canada)
- Standard: Natural Bronze; Premium: Contact factory for finishes
- Universal mounting back for standard 4" J-box or plaster ring
- Clear textured refractive glass lens (MH)
- Optional rear (through wall) feed conduit mounting
- UL and CUL approved for wet locations

Compliances may not apply to all product configurations. Please consult the product spec sheet for compliance details.

COMPLIANCES: UL/cUL Listed - Wet Location, ARRA Compliant, Dark Sky Compliant



695-WP STANDARD



695-WP SERIES

Standard Sizes	A	B	C	D
18	18" [457mm]	10" [254mm]	8" [203mm]	18" [457mm]
24	24" [610mm]	13-1/2" [343mm]	13-1/2" [343mm]	18-1/4" [464mm]

ORDERING INFORMATION

SAMPLE NUMBER: 695-18-WP-CFL/1/32-120V-GRM-PH

Series	Size	Mounting Type	Lamp	Voltage	Finish ⁵	Options
695=Half Pyramid	18=18" 24=24"	WP=Wet Location	CFL/1 (26/32W-Triple) CFL/2 (26/32W-Triple) INC/1/75 ¹ INC/2/75 ² MH/1/100 ² MH/1/50 ² MH/1/70 ²	120V 277V ³ 347V ⁴	Premium ALP=Aluminum Paint BK=Black BM=Bronze Metallic Paint CC=Custom Color DP=Dark Platinum Paint GM=Gold Metallic Paint GRM=Graphite Metallic GY=Grey VG=Verdigris WH=White Standard NBZ=Natural Bronze	C=Rear (through wall) Feed Conduit Mounting PH=Photocell QR=Quartz Restrike ⁶ TGL=Sandblasted Tempered Glass Lens ⁷

NOTES: 1. Available in 18". 2. Available in 24". 3. CFL and MH only. 4. Available with CFL only. 5. Bronze will weather to a dark bronze patina. 6. Available with MH only. 7. For CFL and INC lamping (TGL is standard with MH lamping).

FEATURES

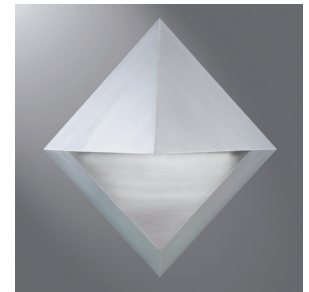
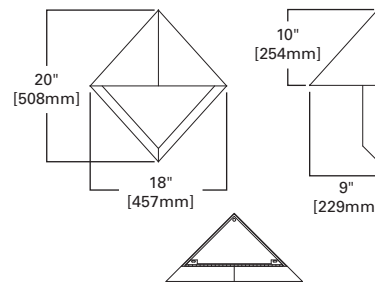
- Exterior Wall Half Pyramid with Back Panel Luminaire
- Solid bronze construction with white acrylic lens (CFL)
- Integral electronic HPF, multi-volt 120/277V (347V Canada)
- Standard: Natural Bronze; Premium: Contact factory for finishes
- Universal mounting back for standard 4" J-box or plaster ring
- Clear textured refractive glass (INC/MH)
- Optional rear (through wall) feed conduit mounting
- UL and CUL approved for wet locations

Compliances may not apply to all product configurations. Please consult the product spec sheet for compliance details.

COMPLIANCES: UL/cUL Listed - Wet Location, ARRA Compliant, Dark Sky Compliant



695-WP-DB STANDARD



695DB-WP SERIES

ORDERING INFORMATION

SAMPLE NUMBER: 695DB-24-WP-MH/1/50-120V-GY

Series	Mounting Type	Lamp	Voltage	Finish ^{3,4}	Options
695-DB=Half Pyramid with Back Panel	WP=Wet Location	CFL/1 (26/32W-Triple) INC/1/60 MH/1/100 MH/1/50 MH/1/70	120V 277V ¹ 347V ²	Premium ALP=Aluminum Paint BK=Black BM=Bronze Metallic Paint CC=Custom Color DP=Dark Platinum Paint GM=Gold Metallic Paint GRM=Graphite Metallic GY=Grey WH=White Standard NBZ=Natural Bronze	C=Rear (through wall) Feed Conduit Mounting PH=Photocell QR=Quartz Restrike ⁵

NOTES: 1. CFL and MH only. 2. Available with CFL only. 3. Premium TGIC polyester powder coat paint, 2.5 mil nominal thickness for superior protection against fade and wear. 4. Bronze will weather to a dark bronze patina. 5. MH only.

Specifications and dimensions subject to change without notice. Consult your Cooper Lighting Representative or visit www.cooperlighting.com for available options, accessories and ordering information.



697-WP SERIES

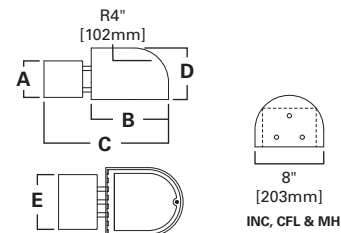
FEATURES

- Exterior Wall Hood Downlight Luminaire
- Cast aluminum construction with white acrylic diffuser (CFL/INC)
- Integral electronic HPF, multi-volt 120/277V (347V Canada)
- Standard: Black or White; Premium: Contact factory for finishes
- Supplied with a mounting back for a standard 4" J-box or stucco ring
- Clear textured refractive glass (MH)
- Optional rear (through wall) feed conduit mounting
- UL and CUL approved for wet locations

Compliances may not apply to all product configurations. Please consult the product spec sheet for compliance details.
COMPLIANCES: UL/cUL Listed - Wet Location, ARRA Compliant, Dark Sky Compliant



697-WP STANDARD



Standard Sizes	A	B	C	D	E
INC & CFL	4-3/8" [111mm]	9" [229mm]	12-7/8" [327mm]	6" [152mm]	6-3/8" [162mm]
MH	4-3/8" [111mm]	9" [229mm]	14-1/2" [368mm]	6" [152mm]	6-3/8" [162mm]

ORDERING INFORMATION

SAMPLE NUMBER: 697-WP-CFL/1/32-120V-BK

Series	Mounting Type	Lamp	Voltage	Finish ³	Options
697=Hood Downlight	WP=Wet Location	CFL/1 (26/32/42W-Triple) INC/1/100 MH/1/50 MH/1/70 MP/1/100	120V 277V ¹ 347V ²	Premium ALP=Aluminum Paint BM=Bronze Metallic Paint CC=Custom Color DP=Dark Platinum Paint GM=Gold Metallic Paint GRM=Graphite Metallic GY=Grey Standard BK=Black WH=White	C=Rear (through wall) Feed Conduit Mounting QR=Quartz Restrike ⁴ TGL=Sandblasted Tempered Glass Lens ⁵

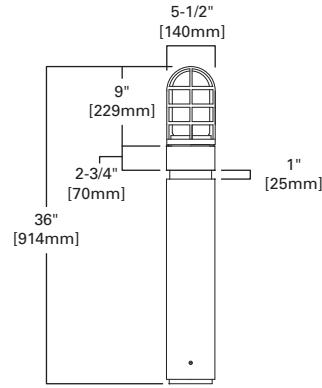
NOTES: 1. CFL and MH only. 2. Available with CFL only. 3. Premium TGIC polyester powder coat paint, 2.5 mil nominal thickness for superior protection against fade and wear. 4. MH only. 5. For CFL and INC lamping (TGL is standard with MH lamping).

FEATURES

- Exterior Bollard Industrial Luminaire
- 5-1/2" Diameter seamless aluminum tube with an internal sand cast base
- 1 low temperature AC electronic CFL, multi-volt 120/277V (347V-Canada)
- Standard: Black or White; Premium: Contact factory for finishes
- Supplied with anchor bolts, mounting hardware and template
- Aluminum grill with a frosted clear glass jar
- UL and CUL approved for wet locations

Compliances may not apply to all product configurations. Please consult the product spec sheet for compliance details.

COMPLIANCES: UL/cUL Listed - Wet Location, ARRA Compliant



901 SERIES

ORDERING INFORMATION

SAMPLE NUMBER: 901-B/CBS-CFL/1-277V-BK

Series	Mounting Type ¹	Lamp	Voltage	Post and Grill Finish ⁵	Overall Height ¹	Options
901=Industrial Luminaire	B/CBS=Bollard - Cast Base Mounting B/DBL=Bollard - Direct Burial	CFL/1 (26/32/42W-Triple) INC/1/100 MH/1/50 ²	120V 277V ³ 347V ⁴	Premium BM=Bronze Metallic CC=Custom Color DP=Dark Platinum GM=Gold Metallic GRM=Graphite Metallic GY=Grey SM=Silver Metallic Standard BK=Black WH=White	36"=36" ⁶	GBJ=Clear Cobalt Blue Glass Jar ⁴ QR=Quartz Restrike SF-A=Separate Fixture with 100W A-19 ⁷ SF-Q=Separate Fixture with 13W Quad CFL ⁸

NOTES: 1. Not available with Separate Fixture options (SF-A, SF-Q). 2. Post Mount only. 3. CFL and MH only. 4. Available with CFL only. 5. Premium TGIC polyester powder coat paint, 2.5 mil nominal thickness for superior protection against fade and wear. 6. Or specify. 7. 100W A-19 lamp. 8. 13W Quad CFL with integral ballast.

FEATURES

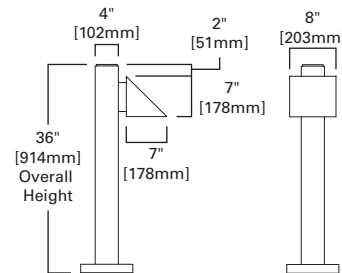
- Exterior Bollard Architectural Wedge Luminaire
- Aluminum or Wood Post; Aluminum Post is with an aluminum base plate
- Low temperature AC electronic CFL, multi-volt 120/277V (347V-Canada)
- Standard: Black or White; Premium: Contact factory for finishes
- Supplied with base plate, bolts, mounting hardware and template
- Optional clear tempered lens to achieve full cut-off
- Wood post is direct burial and is supplied with a waterproof J-Box
- UL and CUL approved for wet locations

Compliances may not apply to all product configurations. Please consult the product spec sheet for compliance details.

COMPLIANCES: UL/cUL Listed - Wet Location, ARRA Compliant, Dark Sky Compliant



ALUMINUM POST (AP)



982 SERIES

ORDERING INFORMATION

SAMPLE NUMBER: 982/2-B/W-CFL/2/26-277V-NBZ-36

Series	Mounting Type	Lamp	Voltage	Post Finish ^{3,4}	Fixture Finish ³	Overall Height ⁵	Options
982/1=Single Architectural Wedge Bollard 982/2=Double Architectural Wedge Luminaire	B/AP=Bollard - Aluminum Post B/U=Bollard - U-Post B/W=Bollard - Wood Post ¹	CFL/1 (26/32/42W-Triple) CFL/2 (26/32/42W-Triple) INC/1/75	120V 277V ² 347V ²	Premium ALP=Aluminum Paint BM=Bronze Metallic CC=Custom Color DP=Dark Platinum GM=Gold Metallic GRM=Graphite Metallic GY=Grey Standard BK=Black WH=White	Premium BK=Black BM=Bronze Metallic CC=Custom Color DP=Dark Platinum GM=Gold Metallic GRM=Graphite Metallic GY=Grey VG=Verdigris WH=White Standard NBZ=Natural Bronze	36"=36" ⁶	BN=Blunt Nose PH=Photocell TGL=Sandblasted Tempered Glass Lens

NOTES: 1. The tight-knotted cedar post will naturally weather over time to a dark gray-brown appearance. 2. Available with CFL only. 3. Natural bronze or two component polyurethane paint, 2.5 mil nominal thickness for superior protection against fade or wear. 4. Not available with Wood Post (W). 5. Overall height is from the finished ground to the top of fixture. 6. Or specify.

Specifications and dimensions subject to change without notice. Consult your Cooper Lighting Representative or visit www.cooperlighting.com for available options, accessories and ordering information.



902 SERIES

FEATURES

- Exterior Bollard Curved or Hipped Hood Luminaire
- Seamless copper tube attached to sand cast, natural bronze alloy base
- 1 low temperature AC electronic CFL, multi-volt 120/277V (347V-Canada)
- Standard: Natural Bronze; Premium: Contact factory for finishes
- Supplied with anchor bolts, mounting hardware and template
- Hipped Hood or Curved shade option
- Optional perforated copper brightness baffle
- UL and CUL approved for wet locations

Compliances may not apply to all product configurations. Please consult the product spec sheet for compliance details.

COMPLIANCES: UL/cUL Listed - Wet Location, ARRA Compliant, Dark Sky Compliant



ORDERING INFORMATION

SAMPLE NUMBER: 902CS-B-CFL/1-277V-SM-BK-36

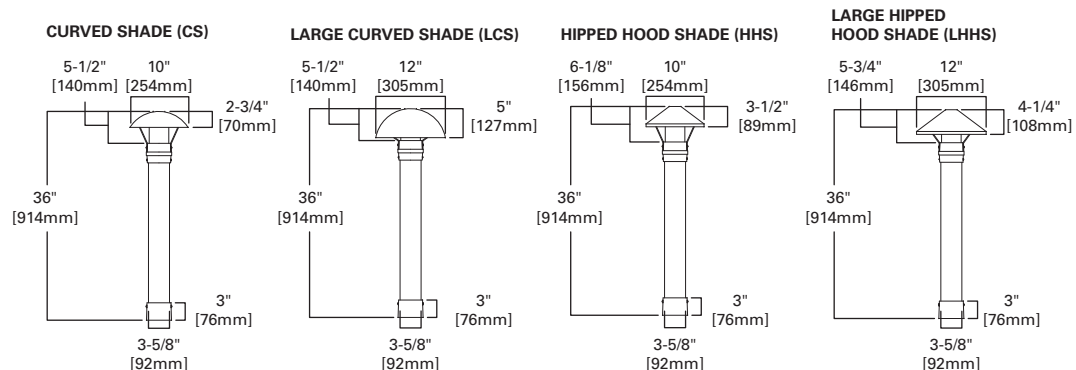
Series	Mounting Type	Lamp	Voltage	Post and Collar Finish	Shade Finish ³	Overall Height	Options
902CS=Curved Shaper Post Luminaire	B=Bollard	CFL/1 (26/32/42W-Triple) INC/1/100 MH/1/50	120V 277V ¹ 347V ²	Premium ALP=Aluminum Paint BK=Black BM=Bronze Metallic CC=Custom Color DP=Dark Platinum GM=Gold Metallic GRM=Graphite Metallic GY=Grey WH=White Standard NBZ=Natural Bronze	Premium ALP=Aluminum Paint BK=Black BM=Bronze Metallic CC=Custom Color DP=Dark Platinum GM=Gold Metallic GRM=Graphite Metallic GY=Grey VG=Verdigris WH=White Standard NBZ=Natural Bronze	36"=36" ⁴	BBL=Brightness Baffle HHS=Hipped Hood Shade LCS=Large Curved Shade LHHS=Large Hipped Hood Shade

NOTES: 1. CFL and MH only. 2. Available with CFL only. 3. Natural bronze or two component polyurethane paint, 2.5 mil nominal thickness for superior protection against fade or wear. 4. Or specify.

ALTERNATE SHADES



902-LCS



Specifications and dimensions subject to change without notice. Consult your Cooper Lighting Representative or visit www.cooperlighting.com for available options, accessories and ordering information.

FEATURES

- Seamless pure copper tube attached to a sand cast bronze base
- Supplied with mounting pad, bolts, mounting hardware and template
- Standard Natural Copper Alloy finish
- Special-order premium finishes
- Low temperature AC electronic CFL, multi-volt 120/277V (347V-Canada)
- Sand cast collar with frosted glass diffuser
- Full cut-off with LCS only, spun pre-painted white aluminum
- Optional Brightness Shield
- UL and CUL approved for wet locations

Compliances may not apply to all product configurations. Please consult the product spec sheet for compliance details.

COMPLIANCES: UL/cUL Listed - Wet Location, ARRA Compliant, Dark Sky Compliant



902-PT SERIES

ORDERING INFORMATION

SAMPLE NUMBER: 902CS-PT-CFL/1/26-277V-ALP-BK-EG-108

Series	Mounting Type	Lamp	Voltage	Post and Collar Finish ²	Shade Finish ²	Glow Top Element ³	Overall Height	Options
902CS =Curved ShadePost Top Luminaire	PT =Post Top	CFL/1 (26/32/42W-Triple) INC/1/150 MH/1/70	120V 277V 347V¹	Premium ALP=Aluminum Paint BK=Black BM=Bronze Metallic CC=Custom Color DP=Dark Platinum GM=Gold Metallic GRM=Graphite Metallic GY=Grey WH=White Standard CA=Natural Copper Alloy	Premium ALP=Aluminum Paint BK=Black BM=Bronze Metallic CC=Custom Color DP=Dark Platinum GM=Gold Metallic GRM=Graphite Metallic GY=Grey VG=Verdigris WH=White Standard CA=Natural Copper Alloy	EG =Etched Glass	108" 120" 132" 144" 156" 168" 96"	BS =Brightness Shield ⁴ LCS =Large Curved Shade SSG =Stepped Shade Glow Top TS =Truncated Shade

NOTES: 1. Available with CFL only. 2. Copper alloy or premium TGIC polyester powder coat paint, 2.5 mil nominal thickness for superior protection against fade and wear. 3. Available with Stepped Shade Glow Top (SSG) only. 4. Consult the factory for available options.

ALTERNATE SHADES



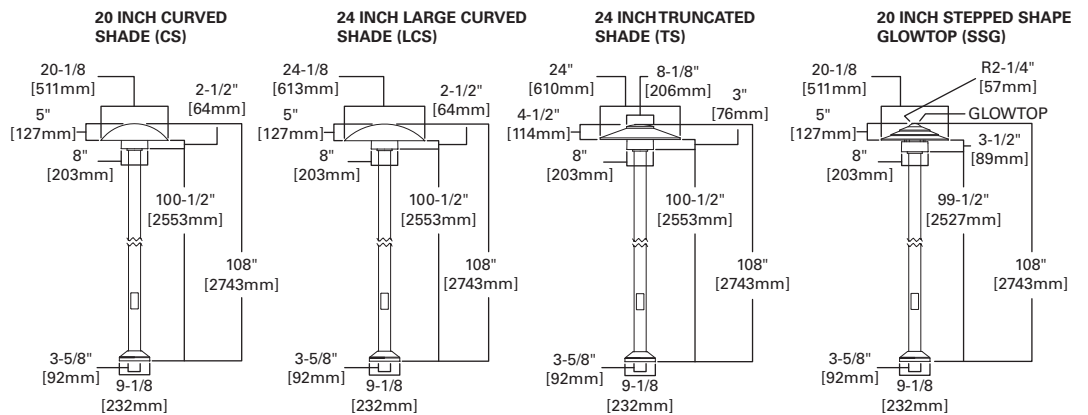
902-PT-TS



902-PT-SSG



902-PT-LCS



Specifications and dimensions subject to change without notice. Consult your Cooper Lighting Representative or visit www.cooperlighting.com for available options, accessories and ordering information.



982-PT SERIES

FEATURES

- Seamless pure copper tube attached to a sand cast bronze base
- Low temperature AC electronic CFL, multi-volt 120/277V (347V-Canada)
- Standard Natural Copper Alloy finish
- Special-order premium finishes
- Supplied with a mounting pad, bolts, mounting hardware and template
- Optional tempered clear lens for full cut-off [Dark Sky Compliant]
- Refractive glass lens (INC/MH) or a frosted acrylic lens (CFL)
- UL and CUL listed for wet location

Compliances may not apply to all product configurations. Please consult the product spec sheet for compliance details.

COMPLIANCES: UL/cUL Listed - Wet Location, ARRA Compliant, Dark Sky Compliant

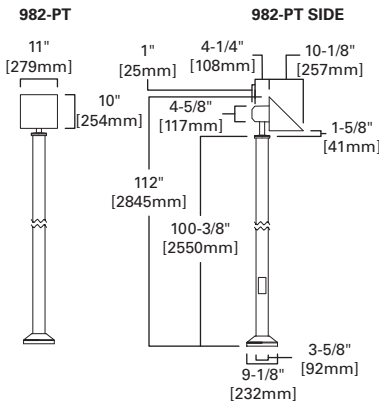


ORDERING INFORMATION

SAMPLE NUMBER: 982/2-PT-CFL/2/26-277V-BM-BM-112

Series	Mounting Type	Lamp	Voltage	Post Finish ³	Fixture Finish ³	Options	Overall Height
982/1=Single Architectural Wedge Luminaire	PT=Post Top	CFL/2 (26/32/42W-Triple) INC/2/75 MH/1/100 MH/1/70	120V 277V ¹ 347V ²	<u>Premium</u> ALP=Aluminum Paint BK=Black BM=Bronze Metallic CC=Custom Color DP=Dark Platinum GM=Gold Metallic GRM=Graphite Metallic GY=Grey WH=White <u>Standard</u> CA=Natural Copper Alloy	<u>Premium</u> ALP=Aluminum Paint BK=Black BM=Bronze Metallic CC=Custom Color DP=Dark Platinum GM=Gold Metallic GRM=Graphite Metallic GY=Grey VG=Verdigris WH=White <u>Standard</u> CA=Natural Copper Alloy	BN=Blunt Nose PH=Photocell QR=Quartz Restrike ^{4,5} TGL=Sandblasted Tempered Glass Lens	100"
982/2=Double Architectural Wedge Luminaire							112"
							124"
							136"
							148"
							160"
							172"

NOTES: 1. CFL and MH only. 2. Available with CFL only. 3. Copper alloy or premium TGIC polyester powder coat paint, 2.5 mil nominal thickness for superior protection against fade and wear. 4. Available with 100W magnetic MH only. 5. Available with CFL or 100W magnetic MH only.



Specifications and dimensions subject to change without notice. Consult your Cooper Lighting Representative or visit www.cooperlighting.com for available options, accessories and ordering information.

METAL FINISH GUIDE STANDARD: INTERIOR*



Natural Aluminum (NA) or
Lacquered Satin Aluminum (SAL)



Satin Chrome (SC)



Polished Chrome (PC)



Satin Stainless Steel (SSS)



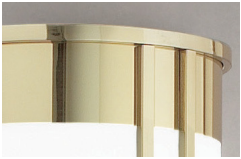
Satin Nickel (SN)



Polished Nickel (PN)



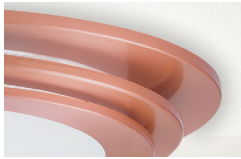
Satin Brass (SB)



Polished Brass (PB)



Satin Copper (SCP)



Polished Copper (PCP)



Oxidized Copper (OCP)



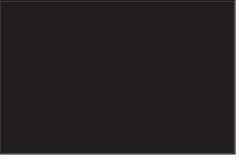
Oxidized Brass (OBRS)
Interior and Exterior



Gun Metal (GNM)



Matte White Paint (MW)

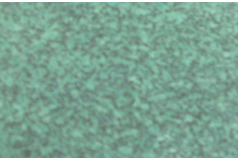


Matte Black Paint (MB)

METAL FINISH GUIDE STANDARD: EXTERIOR*



Oxidized Bronze (OBZ)
Interior and Exterior



Verdigris (VG)



Matte Black Paint (BK)



Matte White Paint (WH)



Grey Paint (GY)



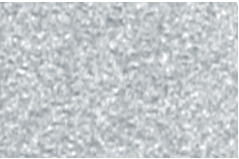
Aluminum Paint (ALP)



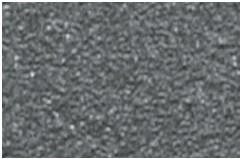
Gold Metallic Paint (GM)



Bronze Metallic Paint (BM)



Dark Platinum Paint (DP)



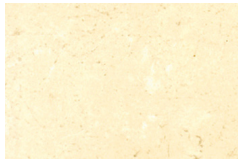
Graphite Metallic Paint (GRM)

* Standard Metal Finishes shown are graphic representations of the actual finish colors. Variations may occur between the actual color and the images shown on this page. Please contact your Cooper Lighting representative for a color sample chip.

HAND APPLIED COLORS**

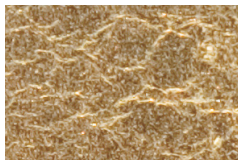


Glass Starfire White (GSW)

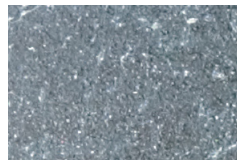


Glass Starfire Fawn (GSF)

HAND PAINTED LEAF COLORS**



Glass Architectural Gold Leaf
(GAGL)



Glass Architectural Silver Leaf
(GAGL)

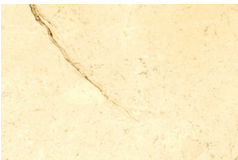


Glass Architectural Copper Leaf
(GAGL)

HAND PAINTED FAUX COLORS**



Glass Starfire Marble White
(GSMW)



Glass Starfire Marble Fawn
(GSMF)

DECORATIVE METAL PATTERNS



Coral (COL)



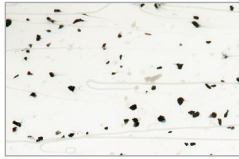
Seashell (SHL)



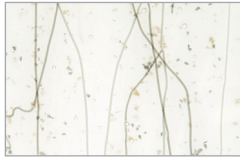
Smooth (SMT)

Specifications and dimensions subject to change without notice. Consult your Cooper Lighting Representative or visit www.cooperlighting.com for available options, accessories and ordering information.

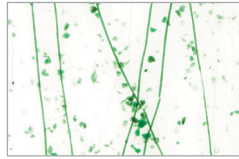
RECESSED PENDANT (RP) ART AND FRIT GLASS**



497-RP Gray and Black Frit with White Streamers (GBMG)



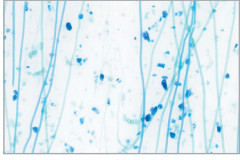
497-RP Gray and Bronze Frit with Gray and Vanilla Streamers (GYMG)



497-RP Dark Green and Jade Green Frit with Dark Green Streamers (CBMG)



497-RP Red Frit and Streamers (RDMG)



497-RP Royal Blue and Turquoise Frit and Streamers (BTMG)



498-RP Textured Warm White Glass (WG)

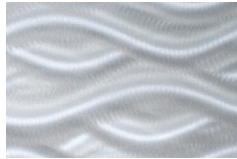


498-RP Textured Carmel Swirl Glass (CG)

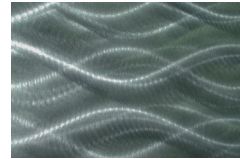
**** Farallon glass. RP glass and mesh are expertly handcrafted. No two luminaires are identical and the colors will vary from lot to lot. Colors will differ between the monitor settings and variations may occur between the actual color and the images shown on this page. Please contact your Cooper Lighting representative for a color sample chip.**

DECORATIVE METAL COLORS

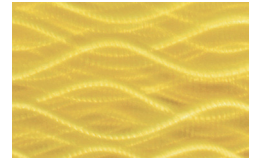
Shown in Waves Pattern



Clear (CLR)



Black Pearl (BPL)



Brass (BRS)



Cabernet (CBT)



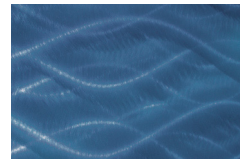
Champagne (CMP)



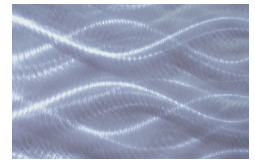
Chocolate (CLE)



Copper (CPR)



Indigo (IDO)



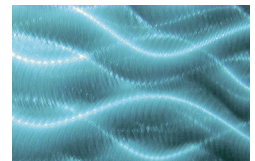
Pewter (PWR)



Royal Blue (RBE)



Sage (SGE)



Sapphire (SPE)



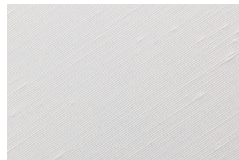
Slate Green (SGN)

FABRIC FINISH GUIDE STANDARD

101, 102, 103 and 104 Series



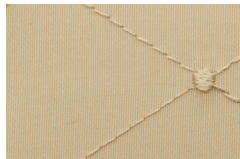
Shantung White (SWH)



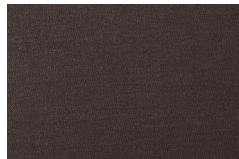
Shantung Eggshell (SEG)



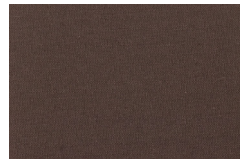
Shantung Beige (SBG)



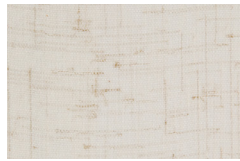
Apex (APX)



Chintz Onyx (CXH)



Chintz Chocolate (CCT)



Glasgow Flax (GFX)



Earth Dust (EDT)*



Silver Moon (SMO)*

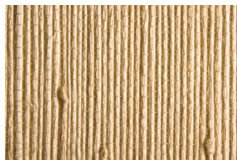


White Mist (WMT)*

* 101-P-SIS Only

FABRIC FINISH GUIDE

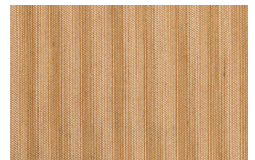
105 Series



Grass Cloth (GSH)



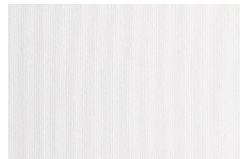
Paper Leaf (PPF)



Nutmeg Shimmer (NGS)



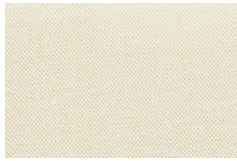
Bronze Shimmer (BZS)



Linen Alabaster (LAT)



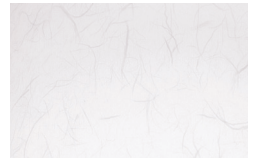
Linen Biscuit (LBS)



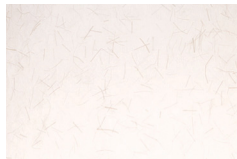
Silk Ivory (SIY)



Silk White (SIW)



White Krinkle (WHK)



Linen Chopsticks (LCK)

Specifications and dimensions subject to change without notice. Consult your Cooper Lighting Representative or visit www.cooperlighting.com for available options, accessories and ordering information.



Top of Mill Residence, Aspen, CO

Lighting Design: Robert Singer & Associates, Inc.,
Basalt, CO

Photography: Peter Malinowski

Cooper Lighting SOURCE Awards Winner

Innovation you can rely on