

GLC4400R

GE® Convertible Dishwasher

Dimensions and Installation Information (in inches)

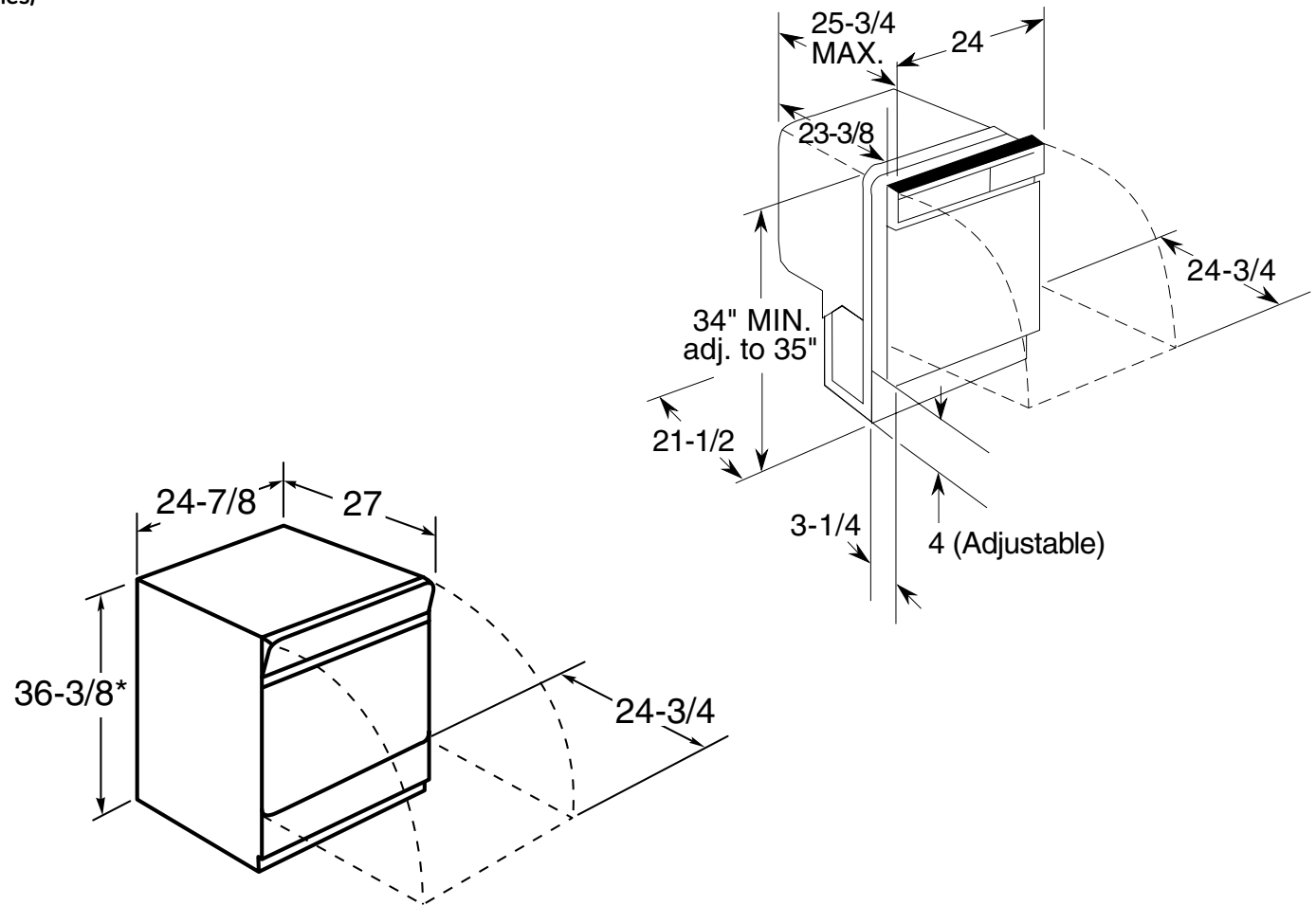
Electrical Rating

Voltage AC.....	120
Hertz.....	60
Total connected load amperage.....	6.2
Calrod® heater watts max.....	500

For use on adequately wired 120-volt, 15-amp circuit having 2-wire service with a separate ground wire. This appliance must be grounded for safe operation.

Important Note: GE Kit number WD35M34 needed when adapting GE Convertible Dishwasher to a built-in installation. Contains built-in dishwasher water valve, hardware and complete instructions for changing a GE Convertible Dishwasher to an under-the-counter installation.

Installation Information: Before installing, consult installation instructions packed with product for current dimensional data.



For answers to your Monogram®, GE Profile™ or GE® appliance questions, visit our website at ge.com or call GE Answer Center® service, 800.626.2000.

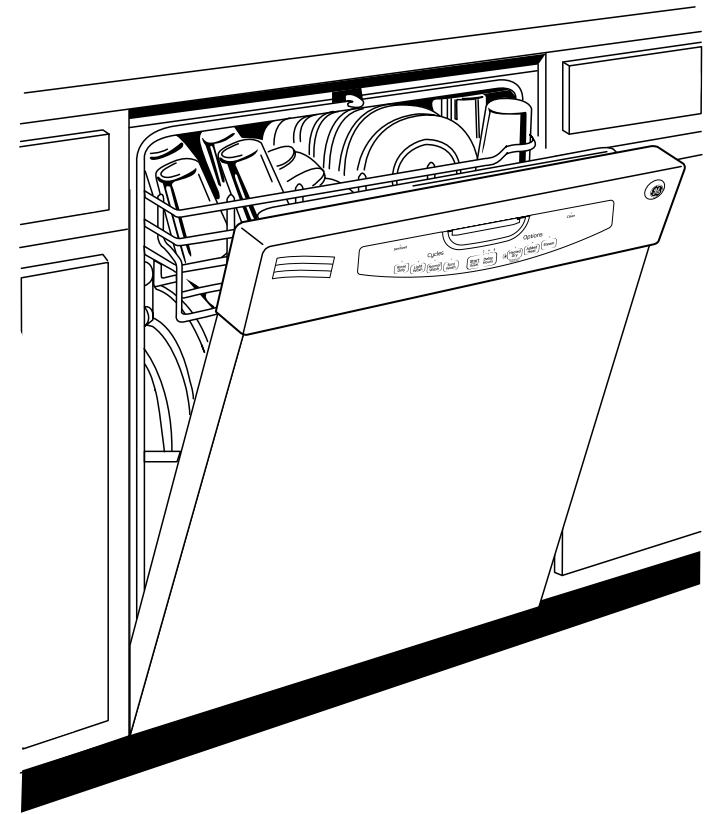


GLC4400R

GE® Convertible Dishwasher

Features and Benefits

- Self-cleaning 5-stage filtration - The wash system's multiple filtration levels ensure clean dishes
 - Steam pre-wash - Loosens tough soils before any cycle virtually eliminating the need for soaking or pre-rinsing dishes
 - SaniWash cycle - Special cycle reduces 99.999% of harmful germs and bacteria
 - Deep-tiered white titanium upper rack - Durable racks are designed to resist rust and secure dishes
 - Up to 15-place setting capacity - Holds family-sized dish loads
 - Audible end-of-cycle signal - The dishwasher makes a sound to tell you when the load is complete and dishes are ready to unload
 - Woodgrain laminate top - Creates a durable, attractive surface
 - Silverware cleaning jets - Spray jets target the silverware area for additional cleaning
-
- Model GLC4400RWW - White on white
 - Model GLC4400RBB - Black on black



imagination at work