

INTERFACE BOX

HCS5650

ACCESSORY

Hospital Grade

interactive system provider interface box with integrated HD tuner

DESIGNED SPECIFICALLY FOR THE HEALTHCARE INDUSTRY

COMPATIBLE LCD MONITORS  
M3701C-BH  
M3702C-BH  
M4210C-BH  
M4212C-BH  
(monitor speakers are optional)

INTEGRATED Pro:Idiom®  
to unlock secured premium content

HD INTERFACE  
Provides the High Definition Interface with  
interactive system providers

BUILT-IN TUNER  
ATSC/NTSC/Clear QAM

REMOTE MONITOR CONTROL  
Control monitor power on/off, input sources, adjust  
volume settings and change channels directly or through  
the MPI™ and RS-232C interfaces

REMOTE DISPLAY MONITORING  
The status of the display can be monitored through  
the MPI port (using special equipment (**sold separately**)),  
providing information to verify the status of the monitor such as  
on/off status, signal state, and the currently tuned channel.

HDMI™ WITH HDCP INTERFACE  
Backward compatible with monitors with DVI input  
via HDMI to DVI-M cable (included)

BUILT-IN PILLOW SPEAKER PORT

CLONING CAPABLE  
When used with optional Zenith QuickSet II  
"Clone" programmer model LT2002

1 YEAR LIMITED WARRANTY  
(parts/labor)

NOTES: Zenith "Setup Remote" model #124-213-07 (sold separately) is  
required to configure the HCS5650.

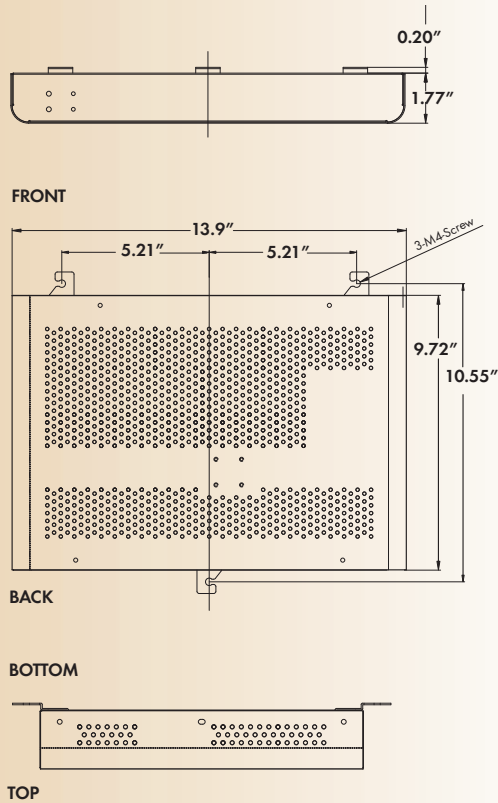
The HCS5650 is only compatible with the LG compatible models  
listed. The HCS5650 is not compatible with non-LG televisions.



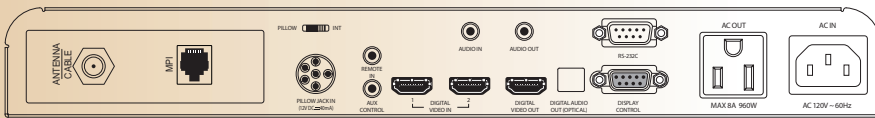
www.LGcommercial.com

zenith 

DIMENSIONS



REAR JACK PANEL



SPECIFICATIONS

## TECHNICAL SPECIFICATIONS

Product Dimensions (D×W×H)	9.7"×13.9"×1.8"
Weight	7.7 lbs.
Carton Dimensions (D×W×H)	14.9"×17.5"×5.1"
Shipping Weight	7.9 lbs.
UPC Code	044642702526
Connector (MPI)	Standard RJ-11
Able to Address Up To	1 Display
Computer Requirements	Control Software and Standard Serial (RS-232) Interface
Integrated Pro:Idiom	Yes
Built-in ATSC/NTSC/Clear QAM tuner	Yes
Source Selection	Any valid input source
Command Set	Digital MPI - Power On, Power Off, Volume Up, Volume Down, Set Maximum Volume, Set Minimum Volume
Request TV Status	Signal Strength, Power Status, TV Volume Level, Channel Number
Rating	AC 100-240V~50/60Hz, 40W
AC Input	AC 120V~60Hz, Max. 8A
AC Output	AC 120V~60Hz, Max. 8A

## INPUTS

HDMI	2 Inputs
RF	1 In (Antenna / Cable)
Pillow Speaker	1 In
AC	1 In
Audio	3.5mm Stereo Jack
MPI (on Superport card)	RJ-11 Modular Jack
Service	RS-232C (9-pin D-Sub Male)
Remote In	3.5mm Jack (for IR Receiver)

## OUTPUTS

HDMI	1 Out
AC	1 Out
Audio	3.5mm Stereo Jack (use with DVI)
Digital Audio	Digital Audio Out (Optical) SPDIF
Display Control	RS-232C 9-pin D-Sub Female
Aux Control	3.5mm jack

## REQUIRED LISTINGS

UL, cUL	Yes
---------	-----

## LIMITED WARRANTY

	1 year (parts/labor)
--	----------------------

## INCLUDED IN CARTON

HCS5650 ISP Interface Box with Integrated HD Tuner
Installation and Operating Guide/Warranty
6 ft. AC Power Cord (UL Hospital Grade Approved)
5 ft. RS-232C M-to-F Cable (HCS5650 to Monitor)
1 ft. DVI-F to HDMI Adaptor Cable accepts above cable for HDMI-to-HDMI
5 ft. HDMI to DVI-M Cable (HCS5650 to DVI In on Monitor)
Five (5) brackets with screws for attachment to HCS5650
3 ft. IR Receiver Cable
5 ft. Stereo plug to stereo plug (3.5mm)

**OPTIONAL MOUNTS/ACCESSORIES**

Peerless® Wall Mount PWMT300
PWMT300-AC1 Peerless Accessory
124-213-07 Installer/Setup Remote and batteries
124-213-08 Patient Remote Control
IT2002 Clone Programmer

www.LGcommercial.com

zenith



LG Electronics U.S.A., Inc.  
Commercial Products Division  
2000 Millbrook Drive  
Lincolnshire, IL 60069

Customer Service: 888.865.3026

Contact your LG Regional Sales Representative  
Healthcare: 877.793.6484

Design, features and specifications subject to change without notice.

© Copyright 2008 LG Electronics USA, Inc. All Rights Reserved. Pro:Idiom is a registered trademark and MPI is a trademark of Zenith Electronics Corporation. The lightning bolt 'z' is a registered trademark of Zenith Electronics Corporation. Zenith-brand products are sold and serviced by LG Electronics, USA, Inc. All other product and brand names are trademarks or registered trademarks of their respective companies.

SPEC\_HCS5650 LG070815\_PR

Printed in the USA. September 2008