



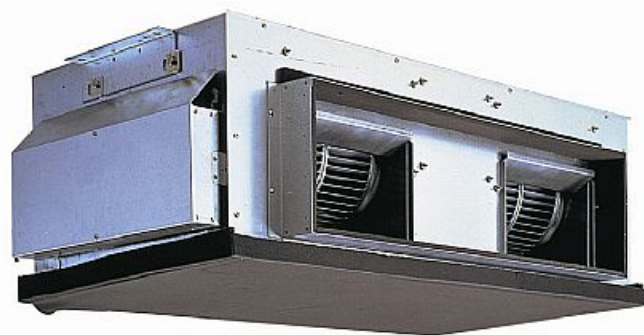
# PEA-RP250GAQ

Standard Inverter Heat Pump

R410A Large Capacity Ceiling Concealed Ducted System

The Standard Inverter range provides inverter solutions for customers who want all the benefits that inverters offer, but do not have the budget available for the more expensive Power Inverter range.

- **Static pressure of up to 150Pa**



Pictures not to scale

# Product Details

## PEA-RP250GAQ Indoor Unit

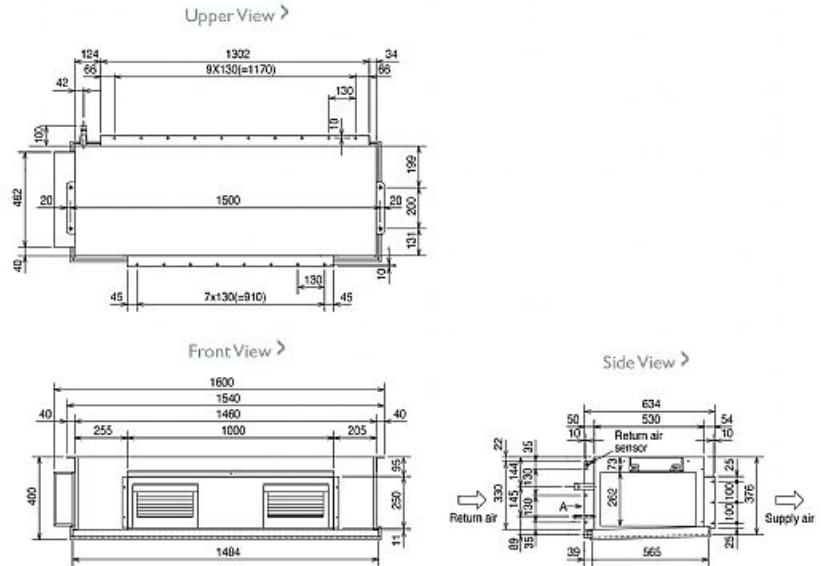
|                                 |                       |
|---------------------------------|-----------------------|
| Capacity (kW):                  |                       |
| Heating (Nominal) (Low - High)  | 27.00 (12.50 - 31.50) |
| Cooling (Nominal) (Low - High)  | 22.00 (11.20 - 28.00) |
| Heating (UK) (Low - High)       | 22.95 (10.65 - 26.80) |
| Cooling (UK) (Low - High)       | 20.25 (10.30 - 25.75) |
| SHF R410A (Nominal)             | 0.86                  |
| COP / EER (Nominal)             | 3.19 / 2.61           |
| Energy Label Heating / Cooling  | D / D                 |
| Width - mm                      | 1600                  |
| Depth - mm                      | 634                   |
| Height - mm                     | 400                   |
| Weight - kg                     | 77                    |
| Airflow (m3/min) - Lo-Hi        | 64-80                 |
| External Static Pressure Pa     | 150                   |
| Noise (dBA) - Lo-Hi             | 49-52                 |
| Pipe Size Gas mm (in)           | 28.58 (1 1/8)         |
| Pipe Size Liquid mm (in)        | 12.7 (1/2)            |
| Electrical Supply               | 380-415v, 50Hz        |
| Phase                           | 3                     |
| Fuse Rating (BS88) - HRC (A)    | 6                     |
| Interconnecting Cable No. Cores | 3                     |

## PUHZ-P250YHA3 Outdoor Unit

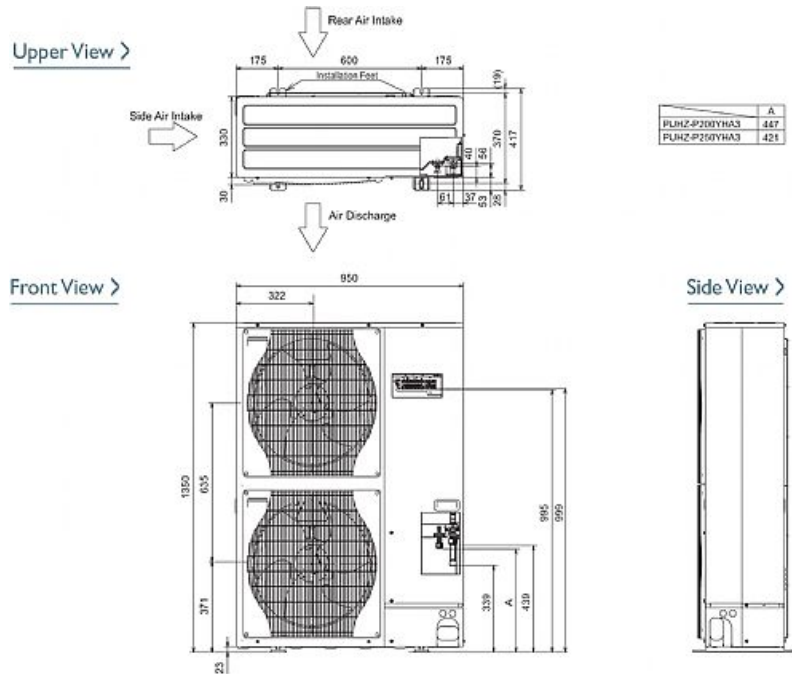
|   |                |
|---|----------------|
| Width - mm                                    | 950            |
| Depth - mm                                    | 330+30         |
| Height - mm                                   | 1350           |
| Weight - kg                                   | 135            |
| Noise (dBA) (Heating /Cooling) - Lo-Hi        | 59 /56-59      |
| Electrical Supply                             | 380-415V, 50Hz |
| Phase   | 3              |
| Fuse Rating (BS88) - HRC (A)                  | 25             |
| SystemPower Input (kW) - Heating (Nominal)    | 8.47           |
| SystemPower Input (kW) - Cooling (Nominal)    | 8.44           |
| SystemPower Input (kW) - Heating (UK)         | 7.54           |
| SystemPower Input (kW) - Cooling (UK)         | 7.17           |
| Starting Current (A)                          | 5              |
| SystemRunning Current (A) - Heating / Cooling | 12 / 11        |
| Mains Cable No. Cores                         | 5              |
| Max Pipe Length (m)                           | 70             |
| Max Height Difference (m)                     | 30             |
| Charge (kg) - m                               | 7.1            |

## Dimensions

### PEA-RP250GAQ



### PUHZ-P250YHA3



Telephone: 01707 282880

Email: [air.conditioning@meuk.mee.com](mailto:air.conditioning@meuk.mee.com) Website: <http://www.mitsubishielectric.co.uk/aircon>

Tel:  
Fax:



Mitsubishi Electric reserves the right to make any variation in technical specification to the equipment described, or to withdraw or replace products without prior notification or public announcement.