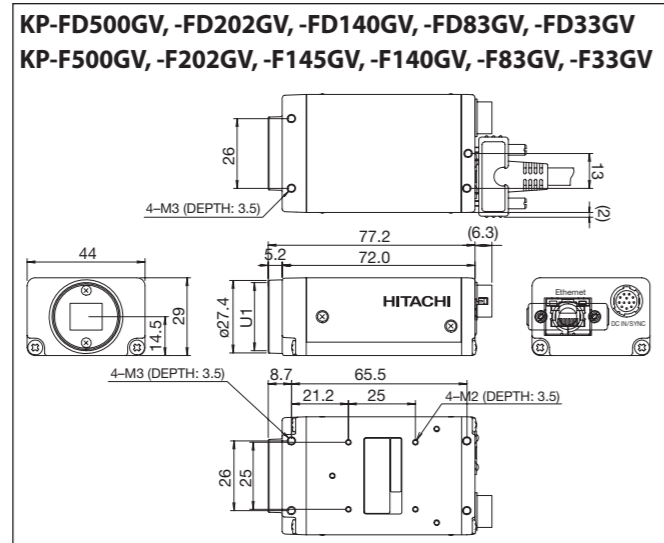
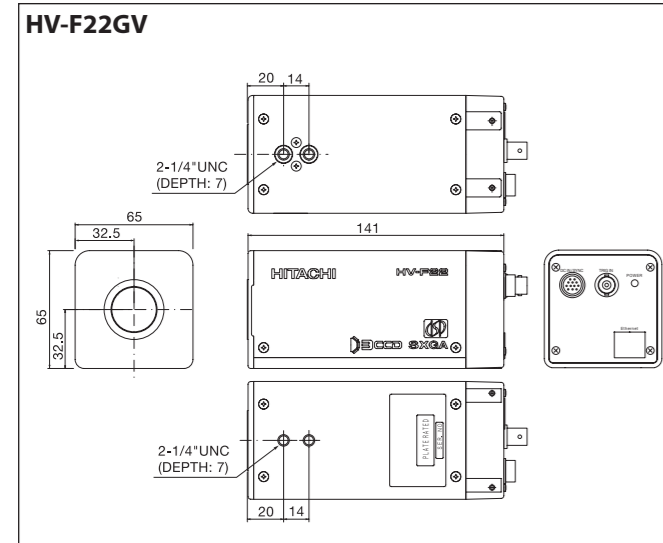
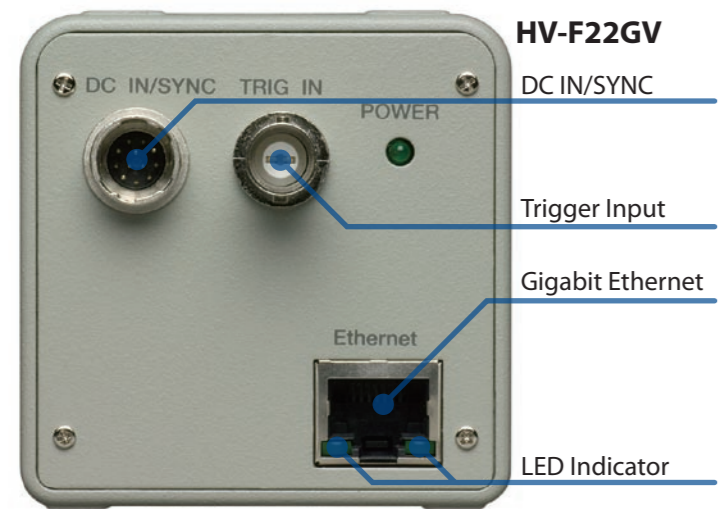


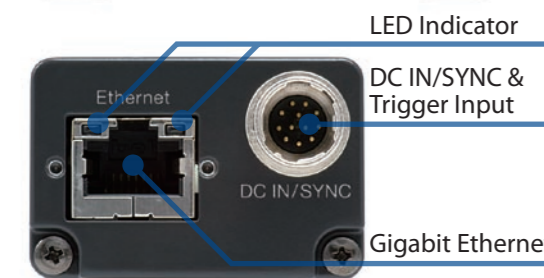
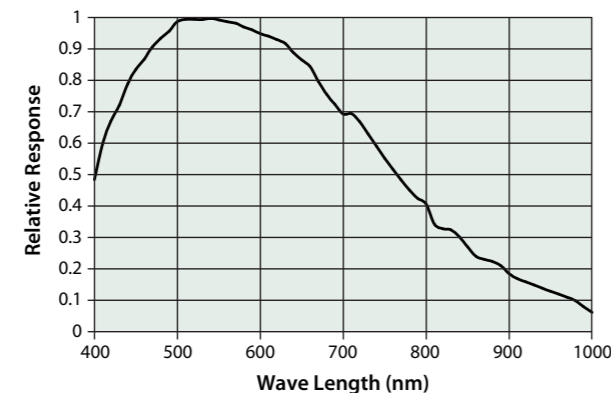
Dimensions



Rear View



Spectral Response for KP-F145GV



- KP-FD500GV
- KP-FD202GV
- KP-FD145GV
- KP-FD140GV
- KP-FD83GV
- KP-FD33GV
- KP-F500GV
- KP-F202GV
- KP-F140GV
- KP-F83GV
- KP-F33GV

Accessories

Type	Black and White	Color	3CCD
Model Name	KP-F500GV KP-F202GV KP-F145GV KP-F140GV KP-F83GV KP-F33GV	KP-FD500GV KP-FD202GV KP-FD140GV KP-FD83GV KP-FD33GV	HV-F22GV
Tripod Adaptor	TA-M1		
Camera Cable	(2m) C-201KSM		
	(5m) C-501KSM		
	(10m) C-102KSM		
12 Pin Plug	HR10A-10P-12S		
Dummy Glass	ARC1214	*1	
IR-Cut Filter	IRC650		*2



TA-M1



C-201KSM

\*1: ARC1214 is equipped in the KP-F type camera.  
\*2: IRC650 is equipped in the KP-FD/HV-F type camera.

Hitachi Industrial Progressive Scan Camera Line-up

Frame rate	Image Size				
	VGA	XGA	SXGA	UXGA	5.0M
120fps	(RAW) KP-FR31PCL/SCL (B/W) KP-F31PCL/SCL	(3CCD) : 3CCD output (RGB) : RGB Output (RAW) : RAW Data Output (B/W) : Monochrome Output (NIR) : Near Infrared Output GigE Vision Series KP-FD type can select the output image format (RGB/YUV/RAW/MONO)	(3CMOS)HDTV 720P (920K) HV-HD30	GV : GigE Vision PCL : Power over Camera Link SCL : Mini Camera Link CL : Camera Link F : IEEE1394.a/b	
91fps	(RAW) KP-FR39PCL/SCL (B/W) KP-F39PCL/SCL				
90fps	(RGB) KP-FD33GV (B/W) KP-F33GV				
60fps	(RGB) KP-FD32F (RAW) KP-FR30PCL/SCL (RAW) KP-FBR30PCL/SCL (B/W) KP-F30PCL/SCL (B/W) KP-F32F (B/W) KP-FB30PCL/SCL				
36fps		(RGB) KP-FD83GV (B/W) KP-F80PCL/SCL (B/W) KP-F83GV (RAW) KP-FR80PCL/SCL			
30fps	(3CCD)HV-F31CL (B/W) KP-F83F	(RGB) KP-FD140GV (RGB) KP-FD140PCL/SCL (NIR) KP-F145GV (B/W) KP-F140GV	(RGB) KP-FD202PCL/SCL (RGB) KP-FD202GV		
16fps				(RAW) KP-FR500PCL/SCL (B/W) KP-F500PCL/SCL (B/W) KP-F500GV	
15fps		(3CCD)HV-F22GV (3CCD)HV-F22CL (RGB) KP-FD140F (B/W) KP-F140F	(RAW) KP-FR200PCL/SCL (B/W) KP-F200PCL/SCL		
12fps				(RGB) KP-FD500PCL/SCL (RGB) KP-FD500GV	
9fps					
7.5fps		(3CCD)HV-F22F			



GigE Vision™ and the distinctive logo and Camera Link® are trademarks of the AIA (Automated Imaging Association). GENiCAM™ is trademark of the EMVA (European Machine Vision Association). Ethernet is a trademark of Xerox Corporation USA.

**CAUTION:** To ensure safe operation, Please read the instruction manual before using this product. These Specifications are subject to change without notice.

**Hitachi Kokusai Electric Inc.** URL: <http://www.hitachi-kokusai.co.jp>

**Head Office:** AKIHABARA UDX Bldg. 11F, 4-14-1 Sotokanda 4-choume, Chiyoda-ku, Tokyo 101-8980, Japan  
Phone: +81 (0) 3-6734-9432 Fax: +81 (0) 3-5209-5942

**Hitachi Kokusai Electric America, Ltd.** URL: <http://www.hitachikokusai.us>  
Head Office: 150 Crossways Park Drive, Woodbury, New York 11797, U.S.A.  
Phone: +1 516-921-7200 Fax: +1 516-496-3718

**Northeast Office:** 371 Van Ness Way, Suite 120 Torrance, CA, 90501  
Phone: +1 310-328-6116 Fax: +1 310-328-6252

**Midwest Sales:** Phone: +1 850-334-1234 Fax: +1 516-496-3718 Service: +1 989-345-5379

**South Sales:** Phone: +1 516-882-4408 Fax: +1 516-496-3718 Service: +1 256-774-3777

**Latin Sales:** Phone: +1 516-882-4408 Fax: +1 516-496-3718

**Parts Center:** Phone: +1 516-882-4435 Fax: +1 516-921-0993

**Hitachi Kokusai Electric Canada, Ltd.** URL: <http://www.hitachikokusai.ca>  
Head Office: 1 Select Avenue, Unit #12, Scarborough, Ontario M1V 5J3, Canada  
Phone: +1 416-299-5950 Fax: +1 416-299-4450

**Eastern Office:** 5795 Chemin St. Francois St. Laurent, Quebec H4S, 1B6, Canada  
Phone: +1 514-332-6687 Fax: +1 514-335-1664

**Hitachi Kokusai Electric Europe GmbH** URL: <http://www.hitachi-keu.com>  
Head Office: Grüntaler Str.3, D-40899 Erkrath, Germany  
Phone: +49(0) 2104-96550 Fax: +49(0) 2104-40039

**Frankfurt Office (Central office Europe):** Siemensstr.9, D-63263 Neu-Isenburg, Germany  
Phone: +49(0) 6102-83320 Fax: +49(0) 6102-202616  
General email address: info@hitachi-keu.com

**Hitachi Kokusai Electric U.K. Ltd.**  
Head Office: Windsor House, Queensgate, Waltham Cross, Herts, EN8 7NX, United Kingdom  
Phone: +44(0) 845-121-2177 Fax: +44(0) 845-121-2180  
General email address: info@hitachi-keu.com

**Hitachi Kokusai Electric (Shanghai) Co., Ltd.**  
Beijing Branch: Room 1415, Beijing Fortune Building, 5 Dong San Huan Bei-Lu, Chao Yang District, Beijing 100004  
Phone: +86(0) 10-6590-8755 Fax: +86(0) 10-6590-8757

**Beijing Service Center:** A25, Bei San Huan Zhong Road Chao Yang District, Beijing 100029  
Phone: +86(0) 10-6204-3901/3903 Fax: +86(0) 10-6204-3902

**ISO 9001/BS 5750P11 EN 29001/IS 29901**

CERTIFICATE No. JMI-0062  
ISO 9001/BS 5750P11  
EN 29001/IS 29901

Hitachi Kokusai Electric

HITACHI

Progressive Scan Industrial Camera Series Featuring GigE Vision Interface

GigE Vision  
Cameras for Industries



Gigabit Ethernet

High speed (1Gbps) & long distance (100m) transfer  
Available PoE (Power over Ethernet) Power Supply

Compatible with GigE Vision™ & GENiCAM™

- Color Cameras**
- KP-FD500GV 5 Mega pixel, 9fps
  - KP-FD202GV UXGA, 30fps
  - KP-FD140GV SXGA, 30fps
  - KP-FD83GV XGA, 36fps
  - KP-FD33GV VGA, 90fps
- Black & White Cameras**
- KP-F500GV 5 Mega pixel, 16fps
  - KP-F202GV UXGA, 30fps
  - KP-F145GV Near Infrared Sensitivity, SXGA, 30fps
  - KP-F140GV SXGA, 30fps
  - KP-F83GV XGA, 36fps
  - KP-F33GV VGA, 90fps



Actual Size

3CCD Color Camera  
HV-F22GV SXGA, 15fps

Actual Size



