

AFOLUX Multimedia Monitors

7"~19" AFOLUX Touch Monitors

- 7"~19" LCD monitor with resistive touch panel
- Multiple video input interface: VGA/S-Video/Component/Composite/DVI
- PIP Function
- Ambient Light Sensor
- Built-in two speakers
- IP64 Front Panel Protection



■ Stylish Design

The clean and refreshingly simple looks of the AFOLUX monitors provide an aesthetic interface for public area applications (e.g. ATMs) and industrial solutions (e.g. operator terminal).



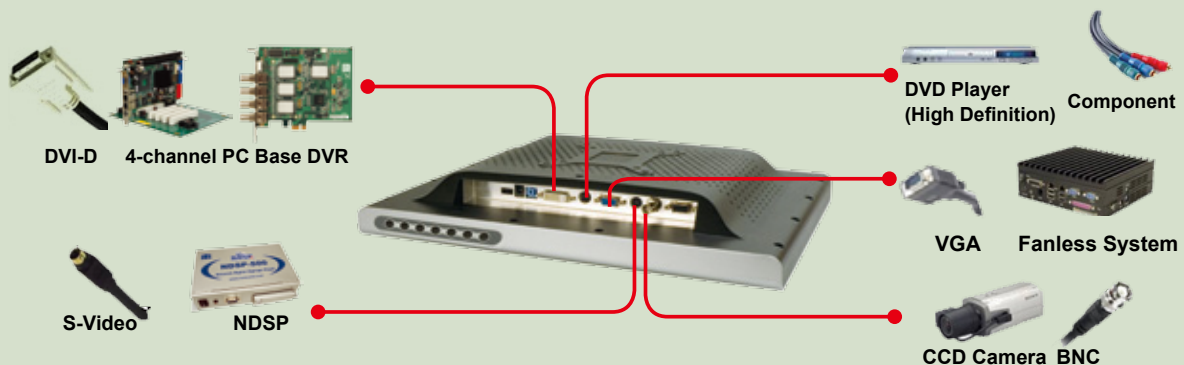
■ Light Weight Construction

Light weight construction ensures the AFOLUX can be mounted on a rack, panel and VESA stand.



■ Five Video Inputs

The AFL-15M/17M/19M have multiple video inputs through common video connectors including VGA, DVI-D, S-Video, component and BNC video input interfaces. The 5-in-1 system connects to a wide range of devices and most electronic appliances. (The AFL-07M/08M/10M/12M are the 4-in-1 systems with VGA, S-Video, component and composite)



■ PIP Function

PIP enables a second video/image to be viewed in a small on-screen window. Images from other sources including DVR and DVD devices can also be viewed in the PIP window.

The small onscreen window can be easily resized and moved to a specified onscreen location. Alternatively, "picture-outside-picture" (POP) can be implemented by dividing the screen into two equally sized portions with two different outputs being displayed on either screen.

PIP Settings :

- Three sizes including small, medium and large
- Four positions including upper left, lower left, upper right and lower right.
- Independent PIP window color controls (brightness, contrast, hue and saturation)
- A blend function makes the PIP transparent

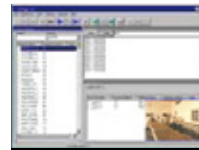
Main screen and sub screen can't display BNC/S-Video or VGA/YPbPr inputs at the same time



Picture In Picture (Video on Video)



Side by Side (Video & Video)



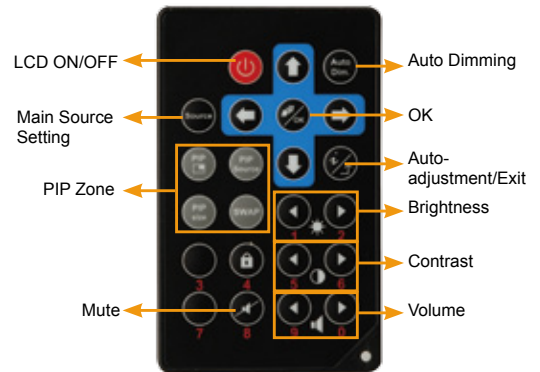
Picture In Picture (Video on Graphics)



Side by Side (Video & Graphics)

■ Remote Control for OSD Function

Hot-keys on the remote control include PIP zone, main source setting, auto-dimming, brightness, contrast and volume. Remote control hot-keys ensure easy configuration of the AFOLUX.



■ Full OSD Function

Integrated OSD functions under the front panel enables convenient monitor configuration. Image, display, PIP, color and system configurations can all be set with the hidden OSD.

Image

System

Color

PIP

Display

OSD Keypad is designed for AFL-15M/17M/19M

■ Ambient Light Sensor

The AFOLUX 15M, 17M and 19M models come with an ambient light (ALS) to ensure your monitor performing optimally in all lighting conditions.

The ALS can be turned on or off according to the user's preference and the operational environment. Some of the ALS benefits include:

- Reduces cost of operation by reducing the power usage
- Extends backlight life
- Provides comfortable viewing



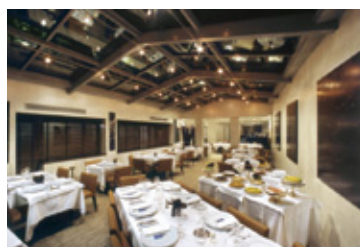
- Higher Ambient Illuminance - Lower Ambient Illuminance

ALS is placed on the front side, where there is an opening for light

Applications



Interactive digital signage



Digital menu boards in numerous restaurants



Video gaming machines in bars and casinos

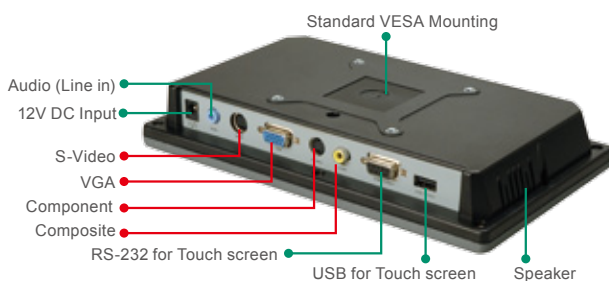
Specifications



Model	AFL-07M	AFL-08MH	AFL-10M	AFL-12M	AFL-15M	AFL-15ME	AFL-17M	AFL-19M	AFL-W19M
LCD Size	7"	8.4"	10.4"	12.1"	15"	15"	17"	19"	19" (16:10)
Input Interface	1. Composite (NTSC/PAL) 2. YPbPr 3. S-Video 4. VGA				1. BNC Connector (NTSC/PAL) 2. YPbPr 3. S-Video 4. VGA 5. DVI				Analog VGA + DVI-D
Max. Resolution	800 x 480 (WVGA)	800 x 600 (SVGA)	800 x 600 (SVGA)	1024 x 768 (XGA)	1024 x 768 (XGA)	1024 x 768 (XGA)	1280 x 1024 (SXGA)	1280 x 1024 (SXGA)	1440 x 900 (WXGA+)
Brightness (cd/m ²)	500	450	400	600	350	250	380	450	300
Contrast Ratio	400:1	600:1	700:1	700:1	700:1	700:1	1000:1	1000:1	1000:1
Display Color	262K	262K	262K	262K	262K	16.2M	16.7M	16.7M	16.7M
Pixel Pitch (mm)	0.1905	0.213	0.264	0.24	0.297	0.297	0.264	0.294	0.2835
Viewing Angle (H/V)	140° / 130°	160° / 140°	160° / 140°	160° / 140°	140° / 125°	170° / 160°	170° / 160°	170° / 160°	170° / 160°
Touch Screen	Resistive Type 4-Wire (touch controller IC is on board)			Resistive Type 5-Wire (touch controller IC is on board)					
Front Frame	ABS and PC Plastic front frame								
Chassis	Aluminum Chassis								
Input Voltage	12VDC								9-36VDC
OSD Function	Remote Control for OSD Functions				1. OSD Keypad below the Front Panel 2. Remote Control for OSD Functions				
Smart-OSD	YES								
Mounting	Panel / Wall mounting (VESA 75 x 75mm)		Panel / Wall mounting (VESA 75 x 75mm / 100 x 100mm)		Wall mounting (VESA 100 x 100mm)				
Color	Gray 7539U				Sliver (877U) & Gray (ABSA2037)				Block C
Dimensions (W x H x D mm)	226 x 140 x 40	234 x 184 x 41	276 x 227 x 51	304 x 246 x 50	393 x 308 x 61		428 x 350 x 65	470 x 382 x 67	475 x 332 x 65
Operating Temperature	0°C~+50°C								
Front Panel Protection	IP 64 Compliant								
Net Weight	0.88 Kg	1.14 Kg	1.33 Kg	2.12 Kg	3.2 Kg		5.0 Kg	5.6 Kg	6.0 Kg
Power Adapter	36W, 63000-FSP036RAB610-RS				60W, 63000-FSP060DBAB1553-RS				

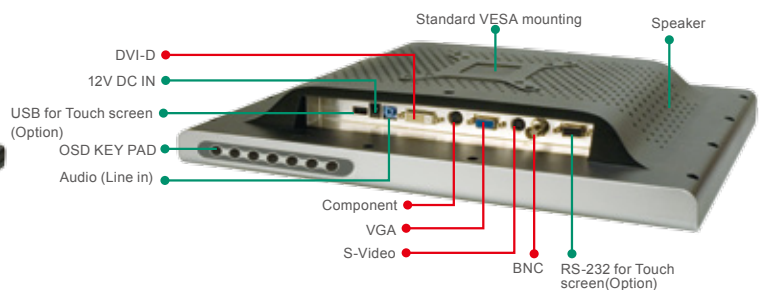
7"~12.1" AFOLUX Monitor

4-in-1 Multiple Video Input System

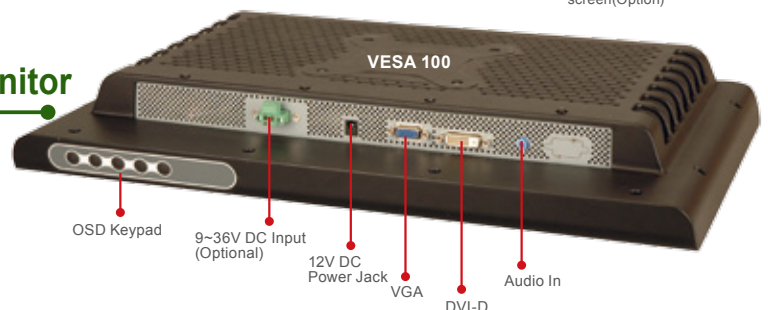


15"~19" AFOLUX Monitor

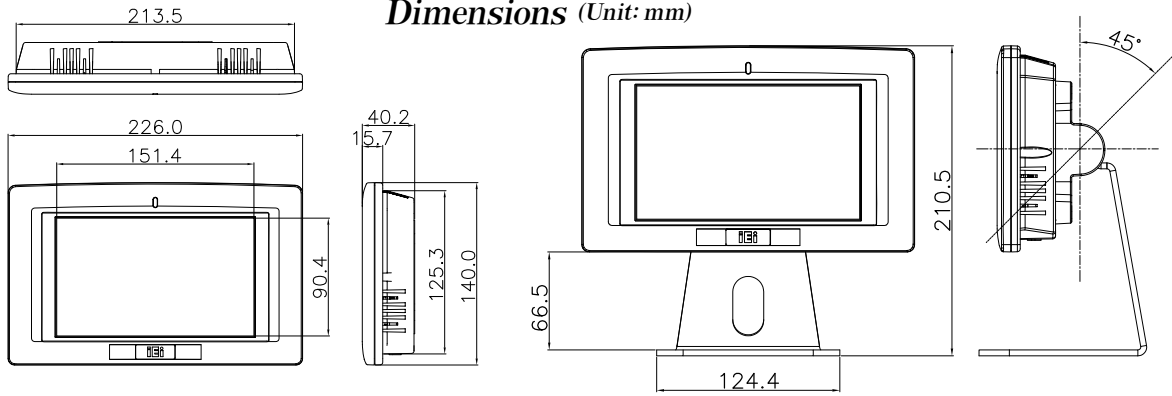
5-in-1 Multiple Video Input System (DVI-D Added)



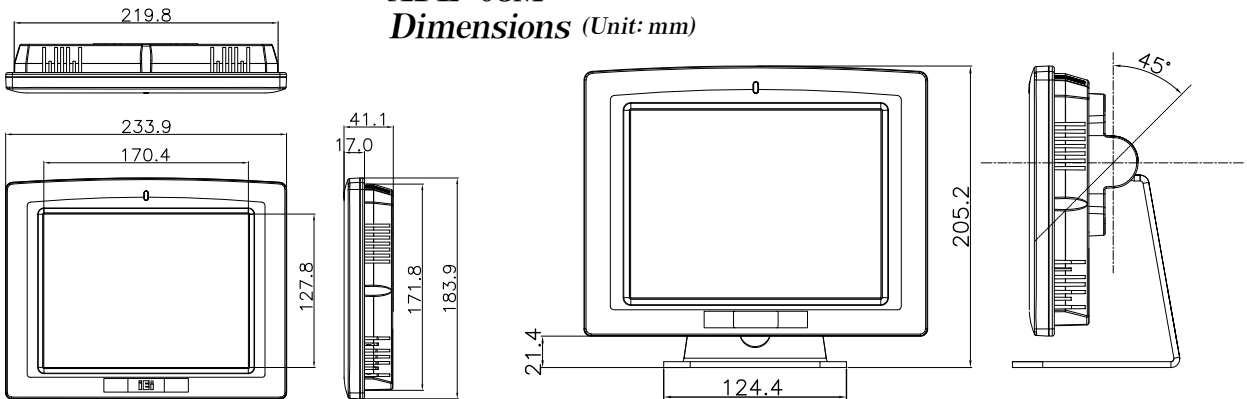
AFOLUX 19" Wide WXGA + Touch Monitor



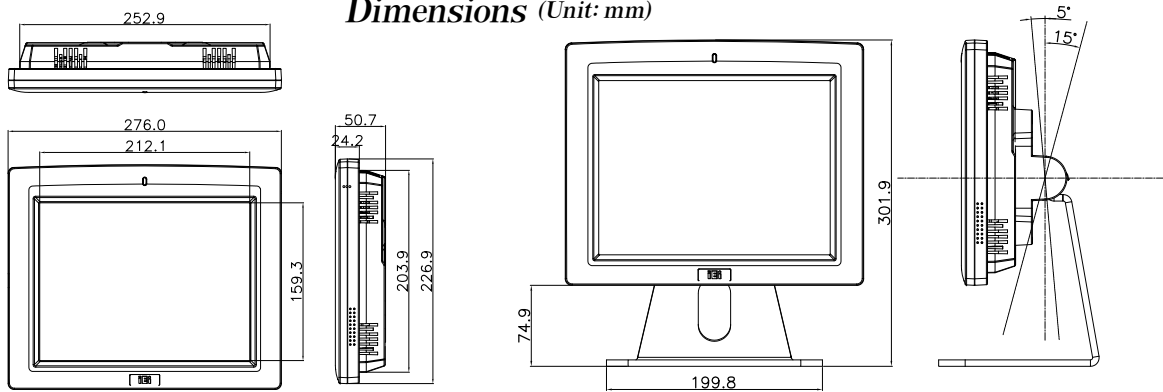
AFL-07M
Dimensions (Unit: mm)



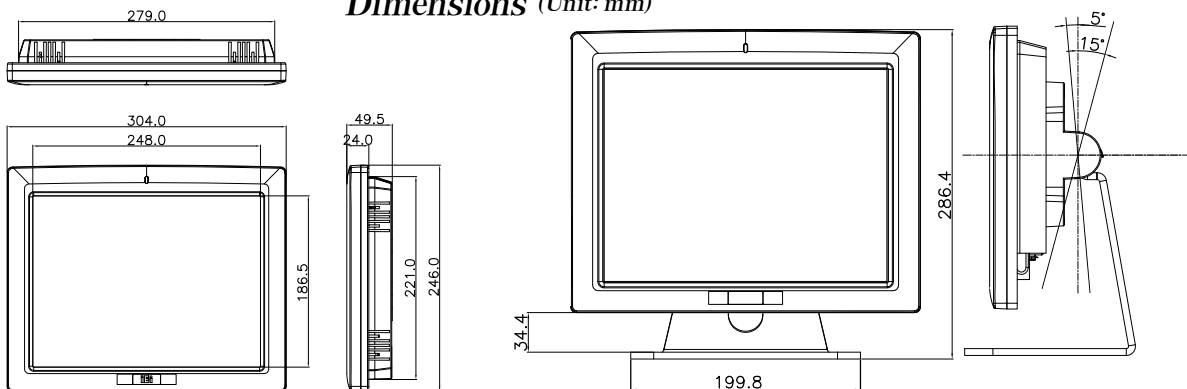
AFL-08M
Dimensions (Unit: mm)



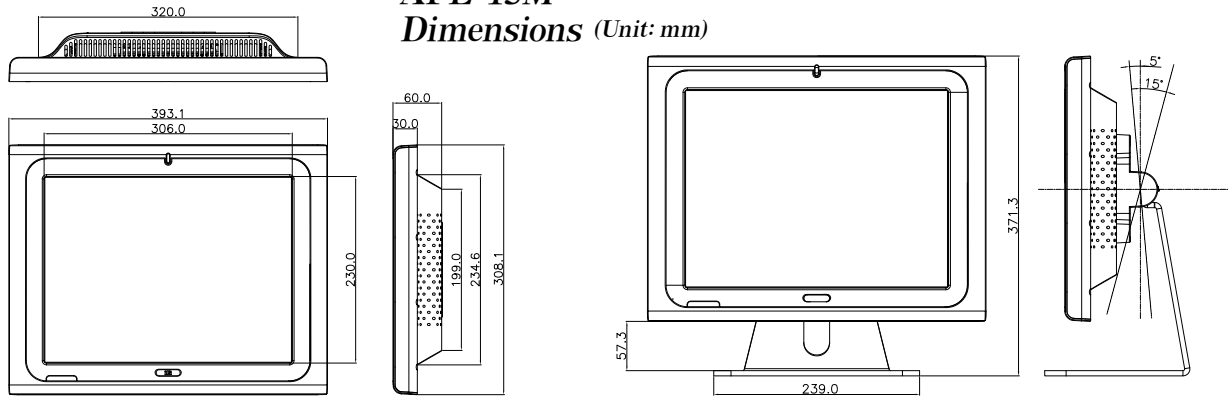
AFL-10M
Dimensions (Unit: mm)



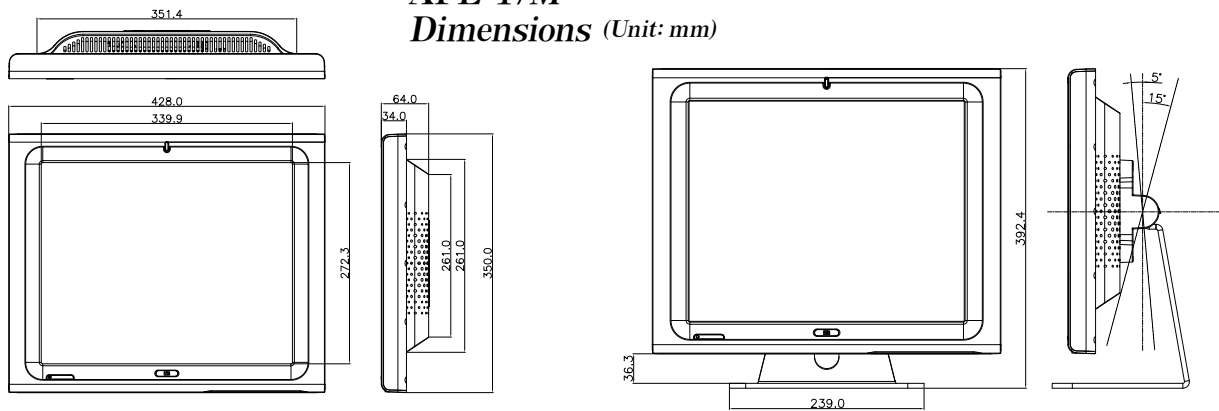
AFL-12M
Dimensions (Unit: mm)



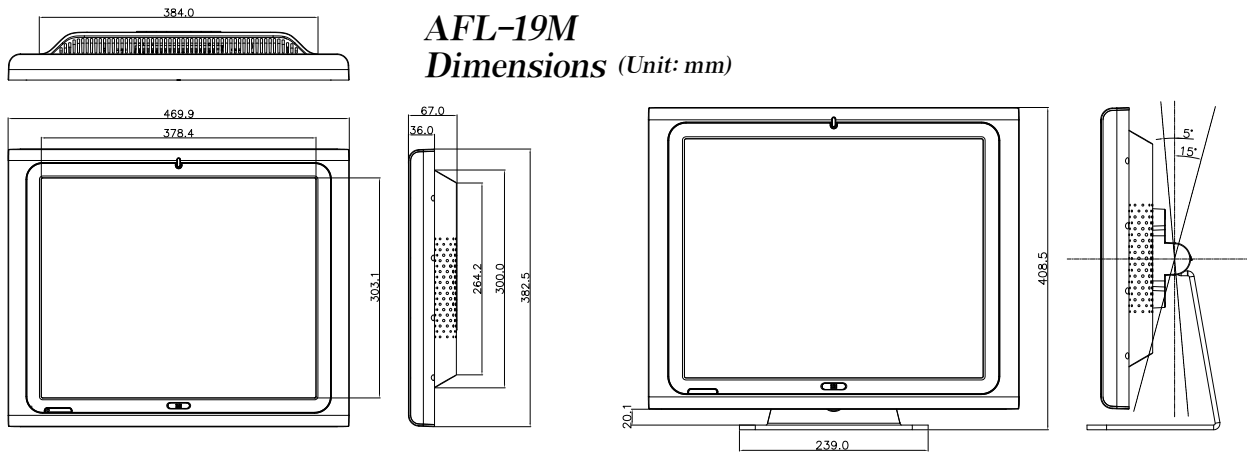
AFL-15M
Dimensions (Unit: mm)



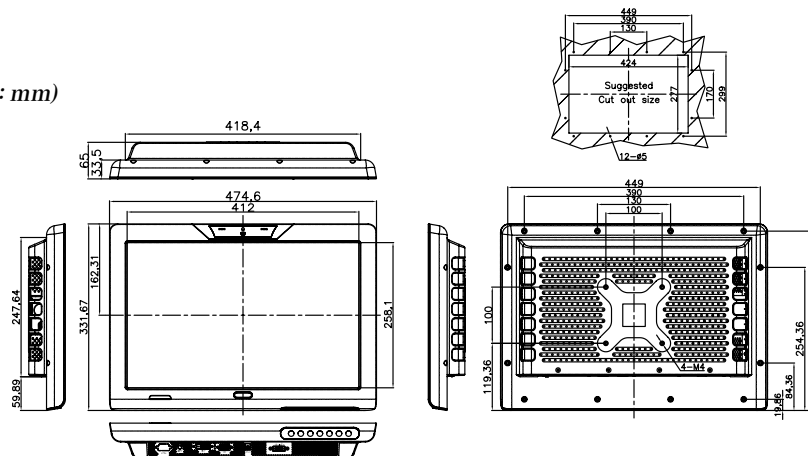
AFL-17M
Dimensions (Unit: mm)



AFL-19M
Dimensions (Unit: mm)



AFL-W19M
Dimensions (Unit: mm)



Options

Model	AFL-07M	AFL-08MH	AFL-10M	AFL-12M	AFL-15M	AFL-17M	AFL-19M	AFL-W19M
Panel Mounting Kits	AFLPK-08		AFLPK-12		AFLPK-15	AFLPK-17	AFLPK-19	AFLPK-W19B
Wall Mounting Kits	AFLWK-12				AFLWK-19			
Rack Mounting Kits	AFLRK-07	AFLRK-08	AFLRK-10	AFLRK-12	AFLRK-15-R11	AFLRK-17-R11	N/A	
LCD Monitor Stand	STAND-A08/STAND-100-RS		STAND-A12/STAND-100-RS		STAND-A19/STAND-B19/STAND-210-R11			
VSTAND	VSTAND-A07	VSTAND-A10		VSTAND-A12	N/A			
DC to DC Converter Module	IDD-930160-KIT							

Ordering Information

Part NO	Description
AFL-07M/R-R20	7" 500cd/m ² WVGA LCD monitor, plastic front panel, gray color, with 7" RS-232 and USB touch screen R20, RoHS
AFL-08MH/R-R20	8.4" 450cd/m ² SVGA LCD monitor, plastic front panel, gray color, with 8.4" RS-232 and USB touch screen R20, RoHS
AFL-10M/R-R20	10.4" 400cd/m ² SVGA LCD monitor, plastic front panel, gray color, With 10.4" RS-232 and USB touch screen R20, RoHS
AFL-12M/R-R20	12.1" 600cd/m ² XGA LCD monitor, plastic front panel, gray color, With 12.1" RS-232 and USB touch screen R20, RoHS
AFL-15M/R-R20	15" 350cd/m ² XGA LCD monitor, plastic front panel, gray color, with 15" RS-232 touch screen R20, RoHS
AFL-15ME/R-R20	15" 250cd/m ² XGA LCD monitor, plastic front panel, gray color, with 15" RS-232 touch screen R20, RoHS
AFL-15M-USB/R-R20	15" 350cd/m ² XGA LCD monitor, plastic front panel, gray color, with 15" USB touch screen R20, RoHS
AFL-15ME-USB/R-R20	15" 250cd/m ² XGA LCD monitor, plastic front panel, gray color, with 15" USB touch screen R20, RoHS
AFL-17M/R-R20	17" 380cd/m ² SXGA LCD monitor, plastic front panel, gray color, With 17" RS-232 touch screen R20, RoHS
AFL-17M-USB/R-R20	17" 380cd/m ² SXGA LCD monitor, plastic front panel, gray color, With 17" USB touch screen R20, RoHS
AFL-19M/R-R20	19" 450cd/m ² SXGA LCD monitor, plastic front panel, gray color, With 19" RS-232 touch screen R20, RoHS
AFL-19M-USB/R-R20	19" 450cd/m ² SXGA LCD monitor, plastic front panel, gray color, With 19" USB touch screen R20, RoHS
AFL-W19M/R-R20	19" 300cd/m ² WXGA+ Widescreen LCD monitor with VGA and DVI-D input, with 19" RS-232 and USB touch screen, plastic front panel, R20, RoHS
AFL-W19MM/R-R20	19" 300cd/m ² WXGA+ Widescreen LCD monitor with VGA and DVI-D input, 9~36V DC input, with 19" RS-232 and USB touch screen, plastic, front panel, R20, RoHS

Packing List

Description	Part No.	Remark
1 x AC power cable	32000-089900-RS	Length: 1800mm (EU or US, Which type of cord is shipped depends on the contry)
1 x VGA cable	32000-036200-RS	Length: 1800mm
1 x DVI cable	32000-086600-RS	Length: 1800mm For AFL-15M / 17M / 19M-R20
1 x Audio Cable	32007-001600-100-RS	Length: 1800mm
1 x Component Cable	32010-000300-100-RS	Length: 150mm
1 x Component Extend Cable	32000-132800-RS	Length: 1800mm
1 x 36W AC power adapter	63000-FSP036RAB610-RS	For AFL-07M / 08M / 10M / 12M-R20 series Operating Temperature : 0°C~ +40°C
1 x 60W AC Power Adapter	63000-FSP060DBAB1553-RS	For AFL-15M / 17M / 19M / W19M-R20 series Operating Temperature : 0°C~ +40°C
1 x User manual		
1 x Remote Control	7Z000-8T00322ICP01G-RS	
1 x Touch Pen	43125-0002C0-RS	
1 x Touch screen RS-232 Cable / USB Cable / Driver CDROM	RS-232 Cable: 32005-001100-100-RS USB Cable: 32001-006100-100-RS	Length: 1800mm Length: 1500mm (For AFL-07M~12M and AFL-15M~W19M USB model)



Remote Control



Touch Pen

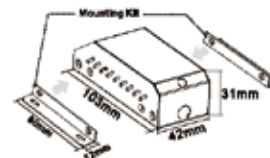


Component Extension Cable



Optional 60W DC/DC Converter Module Spec. (P/N:IDD-930160-KIT)

Input Voltage	9~30VDC
Input Current	Max. 8A at 6VDC
Output	12V@5A
Max. Total Output	60W
Performance Characteristics	Noise & ±Ripple: <320mV, Line Regulation: <120mV, Load Regulation: <120mV
Transient toggle rate	250Hz (50% duty ratio)
Transient current step	From 0% to 50% and 50% to 100% of max current
Efficiency	typ. 95% (Vin=12V, 80% of full load)
Dimensions	42mm x 103mm x 31mm
Mounting Kit	12mm x 80mm
Cable Length	180cm
Operating Temperature	-40°C~85°C



IDD-930160-KIT



60 W DC/DC converter module can be easily mounted in the vehicle equipment to supply DC power source.

IDD-930160-KIT(Optional)