

In-Wall Mounting Solutions

AFL-408A-N270

8.4" SVGA Fanless In-Wall Panel PC

AFL-408B-N270

8.0" SVGA Fanless In-Wall Panel PC

AFL-W410A-N270

Wide 10.2" SVGA Fanless In-Wall Panel PC



Features

- 8" ~ 15" TFT LCD with resistive touch screen
- Fanless system with Intel® Atom™ N270 1.6GHz CPU
- Changeable faceplate and sticker skin
- In-wall mechanism design installs in minutes
- Built-in CMOS camera with digital microphone and two 1.5W speakers for multimedia applications (optional)
- Connect peripheral devices through a built-in Bluetooth connection to reduce the amount of cables in the workspace
- VESA-mountable for flexible mounting and deployment
- Ambient light sensor detects ambient light and adjusts screen settings to optimize viewing.
- One Digital I/O (4 input/4 output)
- IEI One Key Recovery solution allows you to create rapid OS backup and recovery (Suggest over 4GB storage capacity)

Specifications

Economical Version

Economical Version

Model		AFL-408A-N270	AFL-408B-N270	AFL-W410A-N270
Display	LCD Size	8.4"	8.0"	10.2"
	Max. Resolution	800 * 600	800 * 600	1024 * 600
	Brightness (cd/m ²)	450	250	400
	Contrast Ratio	600 : 1	500 : 1	400 : 1
	LCD Color	262K	262K	262K
	Pixel Pitch (mm)	0.213(H) x 0.213(V)	0.2025(H) x 0.2025(V)	0.2175(H) x 0.2175(V)
	Viewing Angle (H-V)	160° / 140°	140° / 130°	140° / 110°
	Backlight MTBF (hrs)	50000	30000	40000
Motherboard	CPU	Intel® Atom™ N270 1.6GHz CPU		
	Chipset	Intel® 945GSE + ICH7M		
	RAM	Supports one 400MHz or 533MHz DDR2 SO-DIMM (2GB max.)		
I/O Ports and Switches		1 x RJ-45 for RS-232 COM port 1 x RJ-45 for RS-232/422/485 COM port 1 x RJ-45 for Gigabit LAN 5 x USB 2.0 (4 in the rear, 1 in front panel) 2 x Power switch (inside front panel & rear cover) 1 x Reset button 1 x DIO (4in / 4out) 1 x Terminal block for 10~28VDC input 1 x VGA port 1 x Power jack	1 x RJ-45 for RS-232 COM port 1 x RJ-45 for RS-232/422/485 COM port 1 x RJ-45 for Gigabit LAN 5 x USB 2.0 (4 in the rear, 1 in front panel) 2 x Power switch (inside front panel & rear cover) 1 x Reset button 1 x DIO (4in / 4out) 1 x Terminal block for 10~28VDC input 1 x VGA port 1 x Power jack	1 x RJ-45 for RS-232 COM port 1 x RJ-45 for RS-232/422/485 COM port 1 x RJ-45 for Gigabit LAN 5 x USB 2.0 (4 in the rear, 1 in front panel) 2 x Power switch (inside front panel & rear cover) 1 x Reset button 1 x DIO (4in / 4out) 1 x Terminal block for 10~28VDC input 1 x VGA port 1 x Power jack
	Driver Bay	SSD	CF Type II	
Other Function	Watchdog Timer	Software programmable supports 1~255 sec. system reset		
	Audio	AMP 1.5W + 1.5W (Internal speakers)		
	Wi-Fi	1 x Wireless LAN 802.11 b/g/n module (internal PCIe Mini interface)		
	Webcam and Digital Microphone	1 x 300K pixel camera with digital microphone (internal USB interface)	--	1 x 300K pixel camera with digital microphone (internal USB interface)
	Remote Control	1 x remote controller (LCD on/off; system power on/off; volume; brightness)		
Physical	LED Function	1 x Power ON/OFF LED on front panel		
	Construction Material	ABS + PC plastic front frame		
	LED Function	1 x Power ON/OFF LED on front panel		
	Mounting	Panel, wall VESA 75mm x 75mm / 100mm x 100mm		
	Front Panel Color	Black (black U) / White (apple white) / Gray (422C)		
Environment	Dimensions (WxHxD) (mm)	263.2 x 221.2 x 54.4	263.2 x 221.2 x 54.4	313.83 x 222.13 x 52.5
	Operation Temperature (°C)	-10°C ~50°C		
	Storage Temperature (°C)	-20°C ~60°C		
	Net Weight	0.8 Kg	0.8 Kg	1.5 Kg
	IP Level	IP63		
Touch Screen	EMC	CE, FCC	CE, FCC	CE, FCC
		4-wire resistive type (touch controller IC is on board)		5-wire resistive type (touch controller IC is on board)
Power Adapter	P/N: 63000-FSP036RAB608-RS / 36W power adapter / Input: 90VAC~264VAC, 50/60Hz / Output: 12VDC			
Power Requirement	10~28VDC	10~28VDC	10~28VDC	10~28VDC
Power Consumption	25W	25W	25W	28W

In-Wall Mounting Solutions

AFL-412A-N270

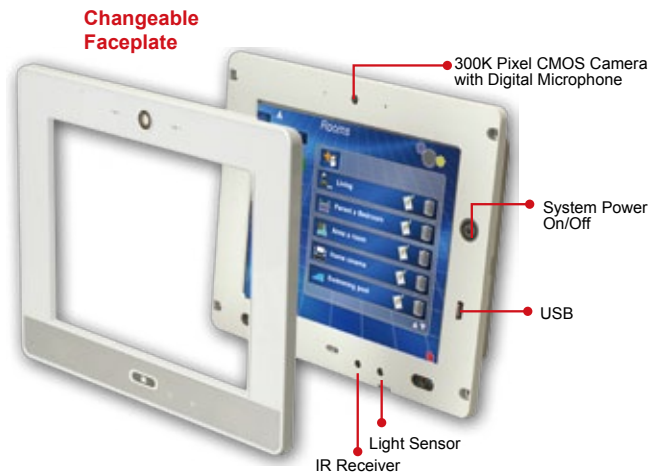
12.1" XGA Fanless In-Wall Panel PC

AFL-415A-N270

15" XGA Fanless In-Wall Panel PC

AFL-415AE-N270

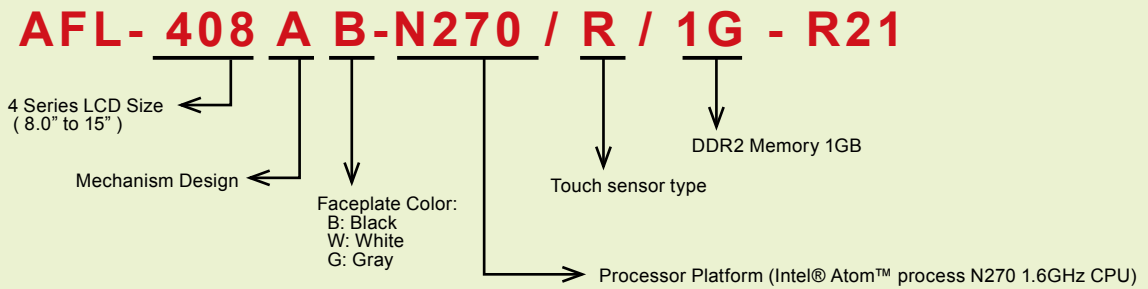
15" XGA Economical Fanless In-Wall Panel PC



Specifications

Model		AFL-412A-N270	AFL-415A-N270	AFL-415AE-N270
Display	LCD Size	12.1"	15"	15
	Max. Resolution	1024 * 768	1024 x 768	1024 x 768
	Brightness (cd/m ²)	500	350	250
	Contrast Ratio	700 : 1	700 : 1	600 : 1
	LCD Color	262K	262K	16.2M
	Pixel Pitch (mm)	0.3075(H) x 0.3075(V)	0.297(H) x 0.297(V)	0.297(H) x 0.297(V)
	Viewing Angle (H-V)	160° / 160°	140° / 125°	160° / 160°
	Backlight MTBF (hrs)	50000	50000	30000
Motherboard	CPU	Intel® Atom™ N270 1.6GHz CPU		
	Chipset	Intel® 945GSE + ICH7M		
I/O Ports and Switches	RAM	Supports one 400MHz or 533MHz DDR2 SO-DIMM (2GB max.)		
		1 x RJ-45 for RS-232 COM Port 1 x RJ-45 for RS-232/422/485 COM Port 1 x RJ-45 for Gigabit LAN 5 x USB 2.0 (4 in the rear, 1 in front panel) 2 x Power switch (inside front panel & rear cover) 1 x Reset button 1 x DIO (4in / 4out) 1 x Terminal block for 10~28VDC input 1 x VGA port 1 x Power jack		
Driver Bay	HDD Drive Bay	1 x 2.5 SATA HDD bay		
	SSD	CF Type II		
Other Function	Watchdog Timer	Software programmable supports 1~255 sec. system reset		
	Audio	AMP 1.5W + 1.5W (Internal speakers)	AMP 3W + 3W (Internal speakers)	AMP 3W + 3W (Internal speakers)
	Wi-Fi	1 x Wireless LAN 802.11 b/g/n module (internal PCIe Mini interface)		
	Webcam and Digital Microphone	1 x 300K pixel camera with digital microphone (internal USB interface)		
	Remote Control	1 x Remote controller (LCD on/off; system power on/off; volume; brightness)		
Physical	LED Function	1 x Power ON/OFF LED on front panel		
	Construction Material	ABS + PC plastic front frame		
	Mounting	Panel, Wall VESA 75mm x 75mm / 100mm x 100mm		
	Front Panel Color	Black (black U) / White (apple white) / Gray (422C)		
Environment	Dimensions (WxHxD) (mm)	339 x 276 x 51.6	385.7 x 330.7 x 55.5	385.7 x 330.7 x 55.5
	Operation Temperature (°C)	0°C ~40°C with 2.5 SATA HDD / -10°C ~50°C with CF Card or SATA interface 2.5 SSD HDD		
	Storage Temperature (°C)	-20°C ~60°C	-20°C ~60°C	-20°C ~60°C
	Net Weight	1.8 Kg	3.2 Kg	3.2 Kg
	IP Level	IP63	IP63	IP63
Touch Screen	EMC	CE, FCC	CE, FCC	CE, FCC
		Resistive type 5-wire (touch controller IC is on board)		
Power Adapter		P/N: 63000-FSP050DBAB1405-RS 50W power adapter Input: 90VAC~264VAC, 50/60Hz Output: 12VDC		P/N: 63000-FSP060DBAB1553-RS 60W power adapter Input: 90VAC~264VAC, 50/60Hz Output: 12VDC
	Power Requirement	10~28VDC	10~28VDC	10~28VDC
Power Consumption	32W	49W	49W	

AFL-4xxx In-Wall PPC Product Line Naming Rule

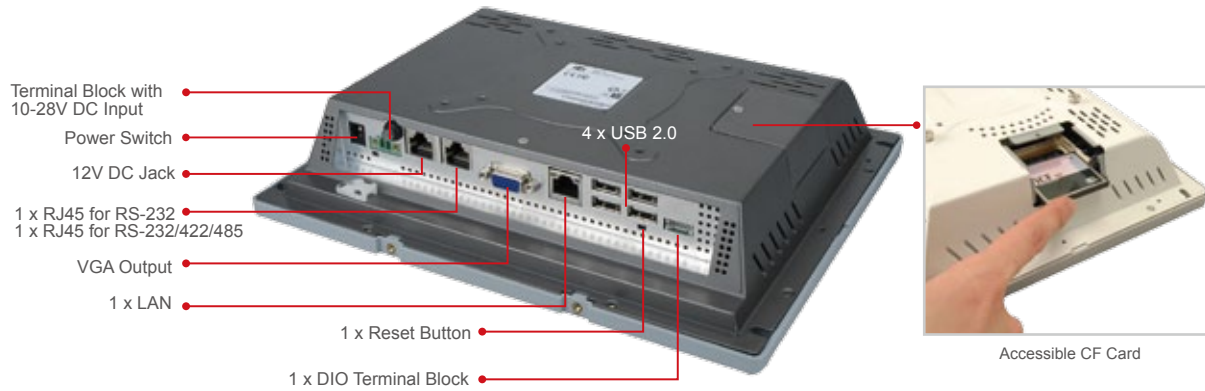


Ordering Information

Model	Description
8"	AFL-408BB-N270/R/1G-R21 8.0" 250 cd/m ² , 800x600 fanless In-wall panel PC with Intel® Atom™ N270 1.6GHz CPU, 1GB DDR2 RAM, AT/ATX mode, 802.11b/g/n wireless, touch screen and, 10-28VDC wide range, black color, R21, RoHS
	AFL-408BW-N270/R/1G-R21 8.0" 250 cd/m ² , 800x600 fanless In-wall panel PC with Intel® Atom™ N270 1.6GHz CPU, 1GB DDR2 RAM, AT/ATX mode, 802.11b/g/n wireless, touch screen and, 10-28VDC wide range, white color, R21, RoHS
	AFL-408BG-N270/R/1G-R21 8.0" 250 cd/m ² , 800x600 fanless In-wall panel PC with Intel® Atom™ N270 1.6GHz CPU, 1GB DDR2 RAM, AT/ATX mode, 802.11b/g/n wireless, touch screen and, 10-28VDC wide range, gray color, R21, RoHS
8.4"	AFL-408AB-N270/R/1G-R22 8.4" 450 cd/m ² , 800x600 fanless In-wall panel PC with Intel® Atom™ N270 1.6GHz CPU, 1GB DDR2 RAM, AT/ATX mode, 802.11b/g/n wireless, 300K Pixel Camera W/Microphone, touch screen and, 10-28VDC wide range, black color, R22
	AFL-408AW-N270/R/1G-R22 8.4" 450 cd/m ² , 800x600 fanless In-wall panel PC with Intel® Atom™ N270 1.6GHz CPU, 1GB DDR2 RAM, AT/ATX mode, 802.11b/g/n wireless, 300K Pixel Camera W/Microphone, touch screen and, 10-28VDC wide range, white color, R22
	AFL-408AG-N270/R/1G-R22 8.4" 450 cd/m ² , 800x600 fanless In-wall panel PC with Intel® Atom™ N270 1.6GHz CPU, 1GB DDR2 RAM, AT/ATX mode, 802.11b/g/n wireless, 300K Pixel Camera W/Microphone, touch screen and, 10-28VDC wide range, gray color, R22
10.2"	AFL-W410AB-N270/R/1G-R30 10.2" 400 cd/m ² , 1024x600 fanless In-wall panel PC with Intel® Atom™ N270 1.6GHz CPU, 1GB DDR2 RAM, AT/ATX mode, 802.11b/g/n wireless, touch screen and, 10-28VDC wide range, black color, R30, RoHS
	AFL-W410AW-N270/R/1G-R30 10.2" 400 cd/m ² , 1024x600 fanless In-wall panel PC with Intel® Atom™ N270 1.6GHz CPU, 1GB DDR2 RAM, AT/ATX mode, 802.11b/g/n wireless, touch screen and, 10-28VDC wide range, white color, R30, RoHS
	AFL-W410AG-N270/R/1G-R30 10.2" 400 cd/m ² , 1024x600 fanless In-wall panel PC with Intel® Atom™ N270 1.6GHz CPU, 1GB DDR2 RAM, AT/ATX mode, 802.11b/g/n wireless, touch screen and, 10-28VDC wide range, gray color, R30, RoHS
12.1"	AFL-412AB-N270/R/1G-R22 12.1" 500 cd/m ² , 1024x768 fanless In-wall panel PC with Intel® Atom™ N270 1.6GHz CPU, 1GB DDR2 RAM, AT/ATX mode, 802.11b/g/n wireless, 300K Pixel Camera W/Microphone, touch screen and, 10-28VDC wide range, black color, R22
	AFL-412AW-N270/R/1G-R22 12.1" 500 cd/m ² , 1024x768 fanless In-wall panel PC with Intel® Atom™ N270 1.6GHz CPU, 1GB DDR2 RAM, AT/ATX mode, 802.11b/g/n wireless, 300K Pixel Camera W/Microphone, touch screen and, 10-28VDC wide range, white color, R22
	AFL-412AG-N270/R/1G-R22 12.1" 500 cd/m ² , 1024x768 fanless In-wall panel PC with Intel® Atom™ N270 1.6GHz CPU, 1GB DDR2 RAM, AT/ATX mode, 802.11b/g/n wireless, 300K Pixel Camera W/Microphone, touch screen and, 10-28VDC wide range, gray color, R22
15"	AFL-415AB-N270/R/1G-R22 15" 350 cd/m ² , 1024x768 fanless In-wall panel PC with Intel® Atom™ N270 1.6GHz CPU, 1GB DDR2 RAM, AT/ATX mode, 802.11b/g/n wireless, 300K Pixel Camera W/Microphone, touch screen and, 10-28VDC wide range, black color, R22
	AFL-415AW-N270/R/1G-R22 15" 350 cd/m ² , 1024x768 fanless In-wall panel PC with Intel® Atom™ N270 1.6GHz CPU, 1GB DDR2 RAM, AT/ATX mode, 802.11b/g/n wireless, 300K Pixel Camera W/Microphone, touch screen and, 10-28VDC wide range, white color, R22
	AFL-415AG-N270/R/1G-R22 15" 350 cd/m ² , 1024x768 fanless In-wall panel PC with Intel® Atom™ N270 1.6GHz CPU, 1GB DDR2 RAM, AT/ATX mode, 802.11b/g/n wireless, 300K Pixel Camera W/Microphone, touch screen and, 10-28VDC wide range, gray color, R22
15"	AFL-415AEB-N270/R/1G-R22 15" 250 cd/m ² , 1024x768 fanless In-wall panel PC with Intel® Atom™ N270 1.6GHz CPU, 1GB DDR2 RAM, AT/ATX mode, 802.11b/g/n wireless, 300K Pixel Camera W/Microphone, touch screen and, 10-28VDC wide range, black color, R22
	AFL-415AEW-N270/R/1G-R22 15" 250 cd/m ² , 1024x768 fanless In-wall panel PC with Intel® Atom™ N270 1.6GHz CPU, 1GB DDR2 RAM, AT/ATX mode, 802.11b/g/n wireless, 300K Pixel Camera W/Microphone, touch screen and, 10-28VDC wide range, white color, R22
	AFL-415AEG-N270/R/1G-R22 15" 250 cd/m ² , 1024x768 fanless In-wall panel PC with Intel® Atom™ N270 1.6GHz CPU, 1GB DDR2 RAM, AT/ATX mode, 802.11b/g/n wireless, 300K Pixel Camera W/Microphone, touch screen and, 10-28VDC wide range, gray color, R22

ISMM Support Functions

	Voltage	Fan	Smart Fan	Temperature	DIO	WDT	Beep
AFL-408A-N270	V			V	V	V	V
AFL-408B-N270							
AFL-W410A-N270	V			V	V	V	V
AFL-412A-N270	V			V	V	V	V
AFL-415A-N270	V			V	V	V	V
AFL-415AE-N270							



Options

Model	AFL-408A-N270	AFL-408B-N270	AFL-W410A-N270	AFL-412A-N270	AFL-415A-N270	AFL-415AE-N270
Wall Mounting Kit	AFLWK-12				AFLWK-19	
Arm	ARM-11-RS / ARM-31-RS					
Stand	STAND-A08 / STAND-100-RS		STAND-A12 / STAND-100-RS		STAND-A19, STAND-B19, STAND-210-R11 STAND-A19, STAND-B19, STAND-210-R11	
V-STAND	VSTAND-A10			VSTAND-A12	N/A	N/A
9~30VDC to 12VDC Converter Module	IDD-930160-KIT				N/A	N/A
OS	OS: Win CE 5.0 (128 MB CF Card)	AFLCF-408A-N270-CE-R21	AFLCF-W410-N270-CE-R21	AFLCF-412-N270-CE-R21	AFLCF-415-N270-CE-R21	
	OS: Win CE 6.0 (128 MB CF Card)	AFLCF-408A-N270-CE060-R21	AFLCF-W410-N270-CE060-R21	AFLCF-412-N270-CE060-R21	AFLCF-415A-N270-CE060-R21	
	OS: Win XPE (1 GB CF Card)	AFLCF-408A-N270-XPE-R21	AFLCF-W410-N270-XPE-R21	AFLCF-412-N270-XPE-R21	AFLCF-415A-N270-XPE-R21	
	OS: Linux (2 GB CF Card)	AFLCF-408A-N270-LNX-R21	AFLCF-W410-N270-LNX-R21	AFLCF-412-N270-LNX-R21	AFLCF-415A-N270-LNX-R21	
DC 12V Input UPS	AUPS-A10-R10				AUPS-B10-R10	
DC 9~36V Input UPS	AUPS-A20-R10				AUPS-B20-R10	
Faceplate (Black Color)	AFLFP-408A-B-R10	AFLFP-408B-B-R10	AFLFP-W410A-B-R10	AFLFP-412A-B-R10	AFLFP-415A-B-R10	
Faceplate (White Color)	AFLFP-408A-W-R10	AFLFP-408B-W-R10	AFLFP-W410A-W-R10	AFLFP-412A-W-R10	AFLFP-415A-W-R10	
Faceplate (Gray Color)	AFLFP-408A-G-R10	AFLFP-408B-G-R10	AFLFP-W410A-G-R10	AFLFP-412A-G-R10	AFLFP-415A-G-R10	
In-Wall Cage (Options)	AFLIWC-408-R10	AFLIWC-408-R10	AFLIWC-W410-R10	AFLIWC-412-R10	AFLIWC-415-R10	AFLIWC-415-R10
Bluetooth V2.0+EDR	AFL-BT-KIT01-R10	N/A	N/A	AFL-BT-KIT01-R10	AFL-BT-KIT01-R10	AFL-BT-KIT01-R10

Note: Win CE application without digital microphone function

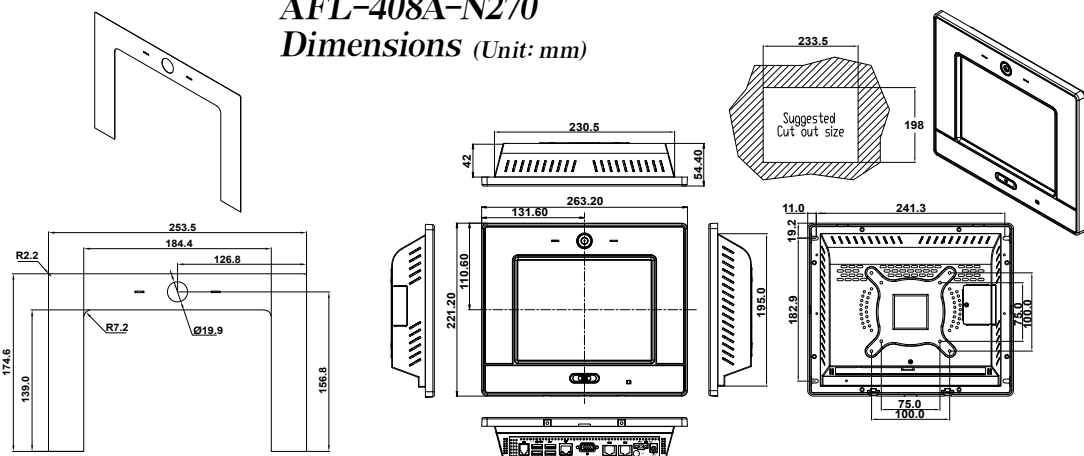
Packing List

Item	P/N	Q'ty	Specifications
Screws	44233-030081-RS	4	M3; φ8mm
	63000-FSP036RAB608-RS 63000-FSP050DBAB1405-RS 63000-FSP060DBAB1553-RS	1	90 ~ 264V 12v, 36W / 50W / 60W
Power Adapter	32000-000002-RS	1	1750mm, European Standard
Power Cable	7B000-000087-RS	1	
User's Manual CD	43125-0002C0-RS	1	
Remote Control Unit	72000-8T00320ICP05G-RS	1	
One Key Recovery CD		1	

Changeable Faceplate:

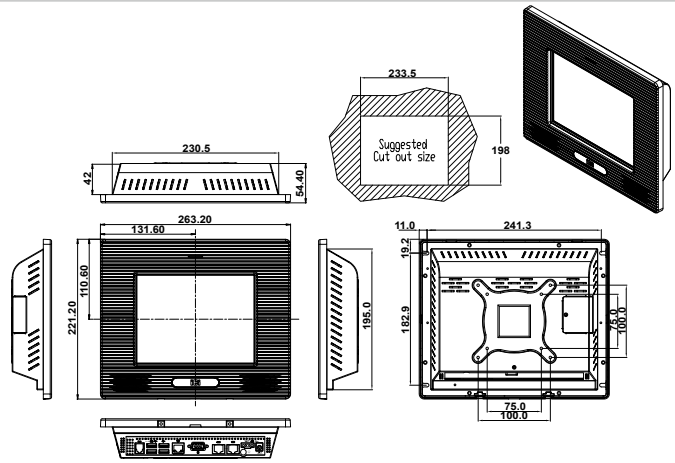
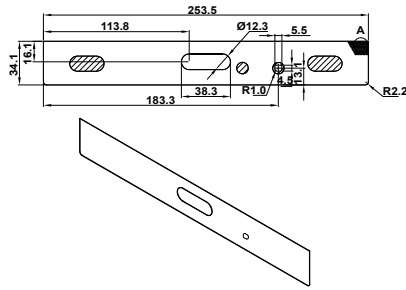


AFL-408A-N270 Dimensions (Unit: mm)



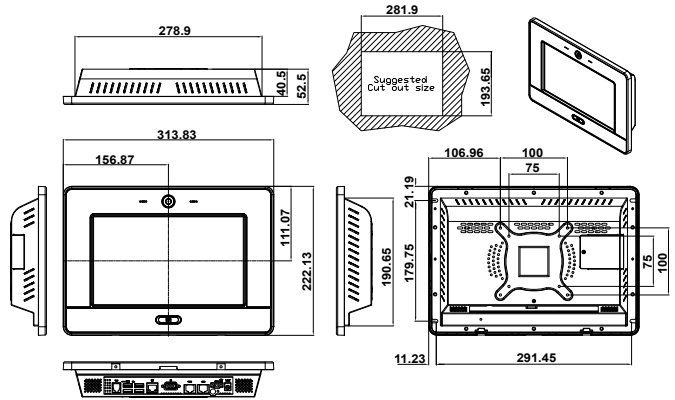
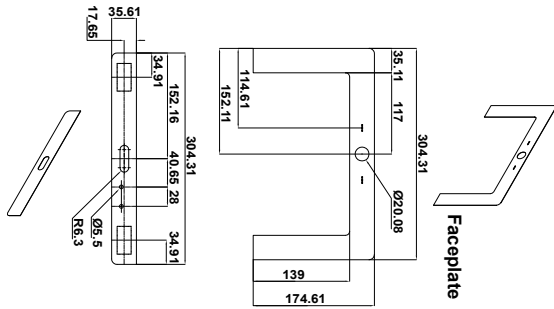
AFL-408B-N270

Dimensions (Unit: mm)



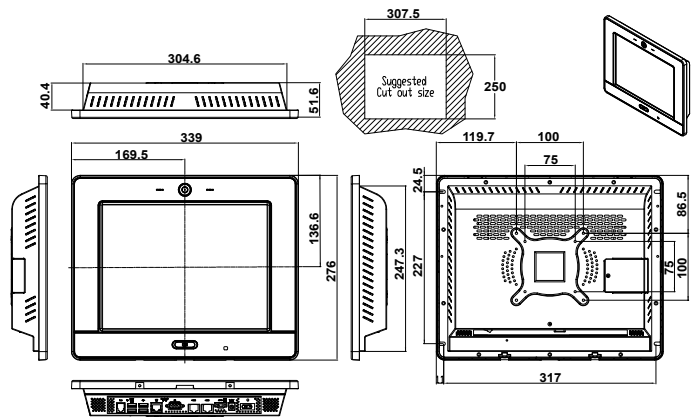
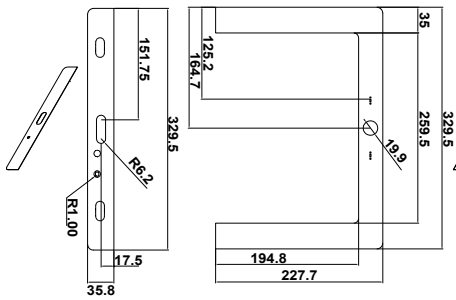
AFL-W410A-N270

Dimensions (Unit: mm)



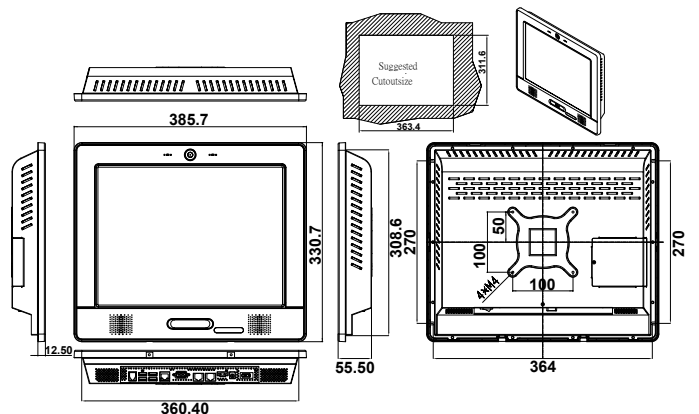
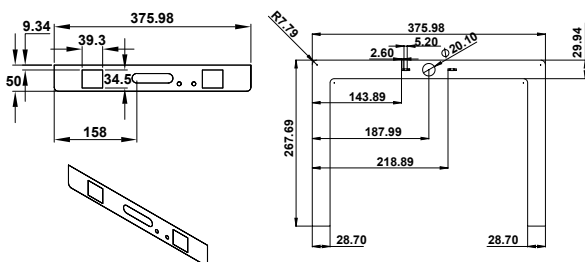
AFL-412A-N270

Dimensions (Unit: mm)



AFL-415A-N270/AFL-415AE-N270

Dimensions (Unit: mm)



1

IEI Mobile Solutions

2

Automation Panel Solutions

3

RISC-based Solutions

4

PACsmate Medical Solutions

5

Optional Peripherals

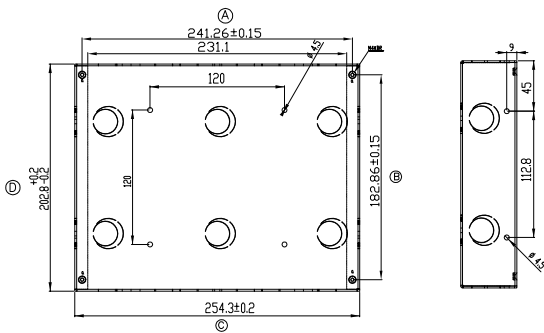
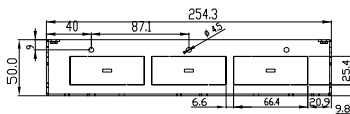
In-Wall Cage



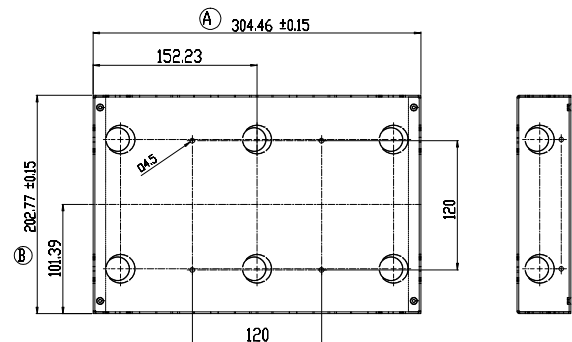
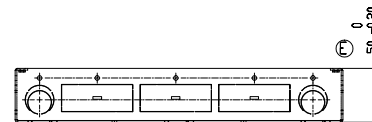
- Cable routing along frame and through knockouts
- Frame allows for a finished look
- Fits: 8.0" - 15" panel displays
- Color: White

Remove appropriate electrical conduit knockouts prior to installation of the cage.

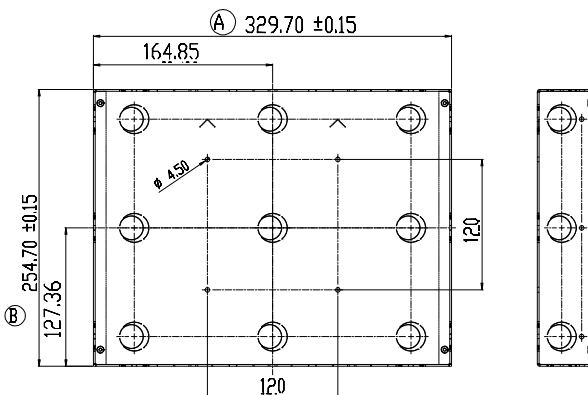
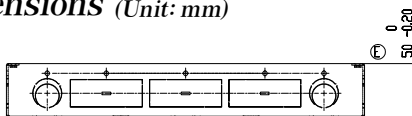
AFLIWC-408A/B-R10 Dimensions (Unit: mm)



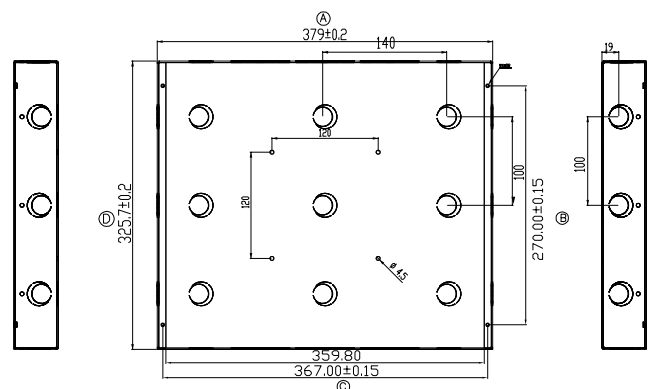
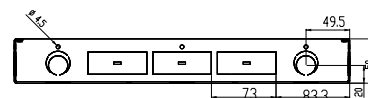
AFLIWC-W410A-R10 Dimensions (Unit: mm)



AFLIWC-412A-R10 Dimensions (Unit: mm)



AFLIWC-415A-R10 Dimensions (Unit: mm)



1

IEI Mobile Solutions

2

Automation Panel Solutions

3

RISC-based Solutions

4

PACsmate Medical Solutions

5

Optional Peripherals