

VIKING

TECHNICAL Practice

TELECOM SOLUTIONS FOR THE 21ST CENTURY

**K-1700-3 &
K-1700-3-EWP**
**Handsfree Phone
with Keypad**

March 28, 2002

Attractive, Vandal Resistant, Handsfree, Speaker Phone



The **K-1700-3** provides a tough and attractive handsfree phone for apartment, and residential door entry or applications requiring a vandal resistant speaker phone.

When the "Call" button is pressed, the **K-1700-3** returns dial tone. The keypad may then be used to dial any number. If no Touch Tone is entered within 8 seconds, CPC is detected, a busy signal is detected, or the programmable maximum call time has elapsed, the **K-1700-3** will automatically disconnect. Alternatively, the **K-1700-3** may be disconnected by pressing the "Call" button again. The **K-1700-3** comes complete with a standard, flush mount, rough-in box (left). In addition, an optional weather resistant, surface mount box is available (right).



For outdoor or harsh environments, the **K-1700-3** is available with Enhanced Weather Protection (**EWP**). **EWP** products feature rubber gaskets and boots, closed cell foam gasketing, hand soldered silicon sealed connections, anti-corrosive gel filled tip and ring connectors, as well as urethane

encapsulated circuit boards with internally sealed, field-adjustable trim POTS and DIP switches.

<http://www.vikingelectronics.com>

Features

- **Vandal Resistant Features:** 14 gauge, louvered, stainless steel faceplate with stainless steel speaker/mic screen, heavy duty metal keypad and "Call" button

- **Optional Enhanced Weather Protection (EWP)**

Need More Information on EWP?
Call (715) 386-4345 and select 859.

- Yellow "in use" LED
- Volume adjustments for microphone and speaker
- **Advanced call progress detection:** disconnects on busy signal, return to dial tone, CPC reorder tone, maximum call time out and selectable silence time out
- Selectable auto-answer feature
- Selectable push button disconnect
- Zinc plated steel rough-in box with (2) 3/4" conduit knockouts

- Optional **VE-6x7** Surface Mount Box available

Need More Information on the VE-6x7?
Call (715) 386-4345 and select 424.

- Selectable maximum call time
- Selectable momentary or continuous Touch Tone output
- Selectable VOX switching speed

Phone... 715.386.8861

Applications

- Apartment entry phone when used with the **K-1900-3**

Apartment Entry Dialer or **C-3000** Apartment Entry Controller

Need More Information on the K-1900-3?
Call (715) 386-4345 and select 312.

Need More Information on the C-3000?
Call (715) 386-4345 and select 162.

- Residential gate or door entry phone when used with the **C-2000** Door Entry Controller

Need More Information on the C-2000?
Call (715) 386-4345 and select 156.

- Courtesy and customer assistance phone

- Automated teller (ATM) phone

- Security or emergency phone

- Hot-Line phone when used with the **K-1900-5** Hot-Line Dialer

Need More Information on the K-1900-5?
Call (715) 386-4345 and select 317.

- Kiosk phone with (100 number speed dialing) when used with the **K-1900-9** Multi-Number Dialer

Need More Information on the K-1900-9?
Call (715) 386-4345 and select 321.

Specifications

Power: Telephone line powered 20V DC/20mA minimum (26mA minimum with DIP switch 7 ON)

Dimensions: Overall: 140mm x 165mm x 66mm (5.5" x 6.5" x 2.6"), Rough-in box: 114mm x 140mm x 64mm (4.5" x 5.5" x 2.5")

Shipping Weight: 1.6 kg (3.5 lbs)

Environmental: -26°C to 54°C (-15°F to 130°F) with 5% to 95% non-condensing humidity

Speaker Volume: approximately 70 db maximum @1m

Connections: Standard - (1) two-position terminal block, EWP - Gel-filled tip and ring connectors

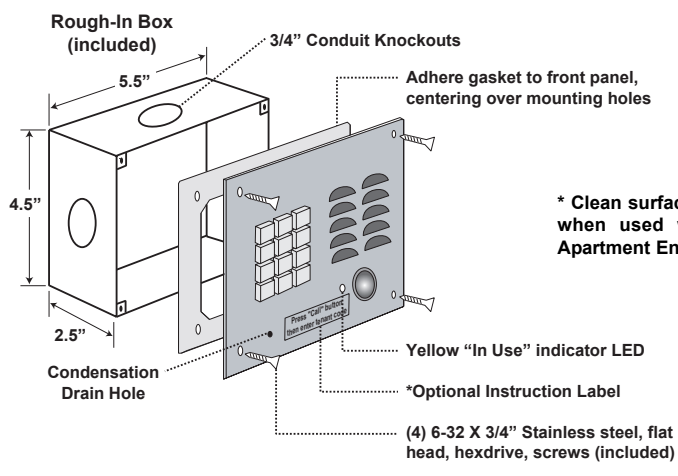
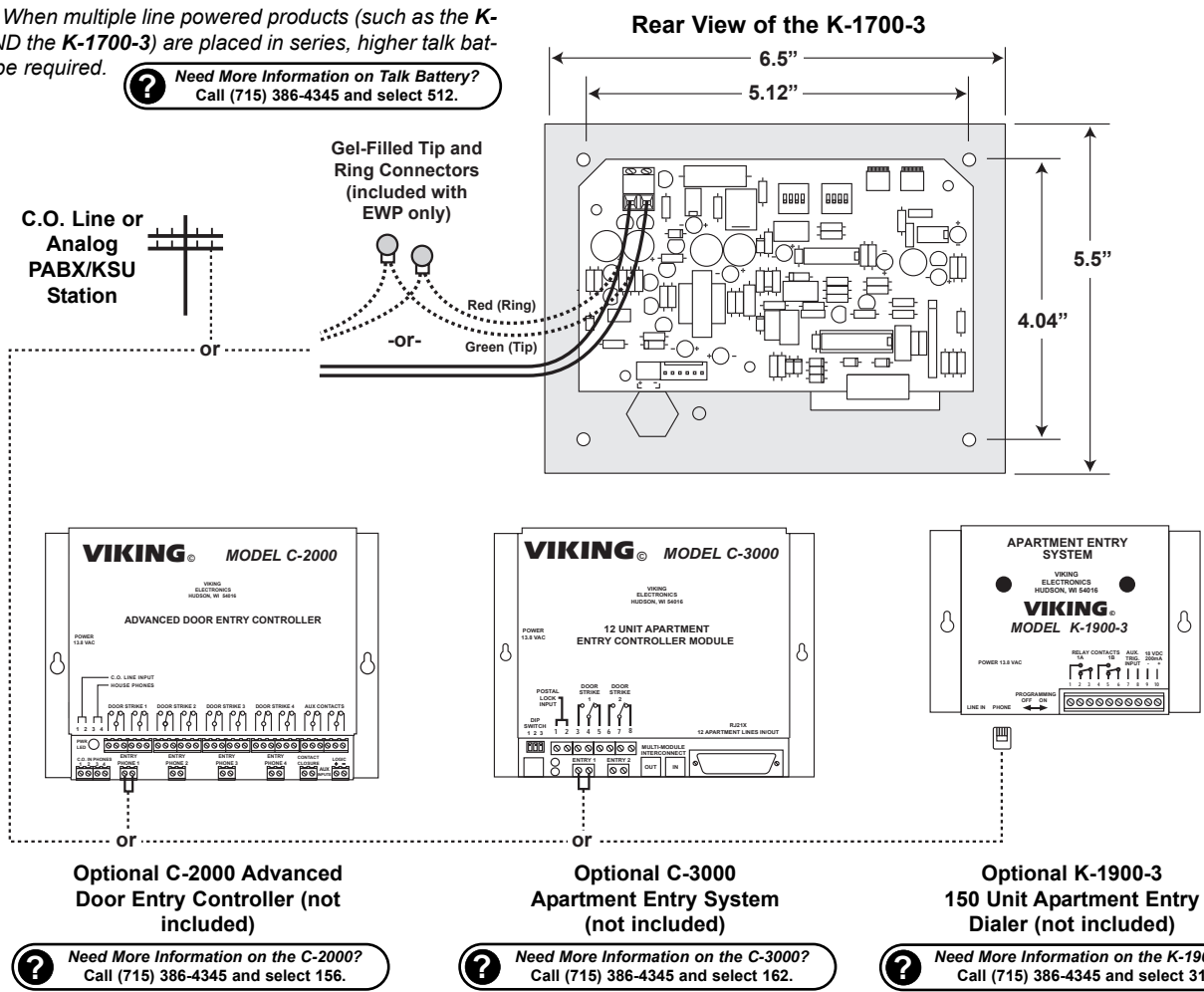
CPC Disconnect Time: 300ms minimum

REN #: 0.5 A

Installation

Caution: When multiple line powered products (such as the K-1900-5 AND the K-1700-3) are placed in series, higher talk battery may be required.

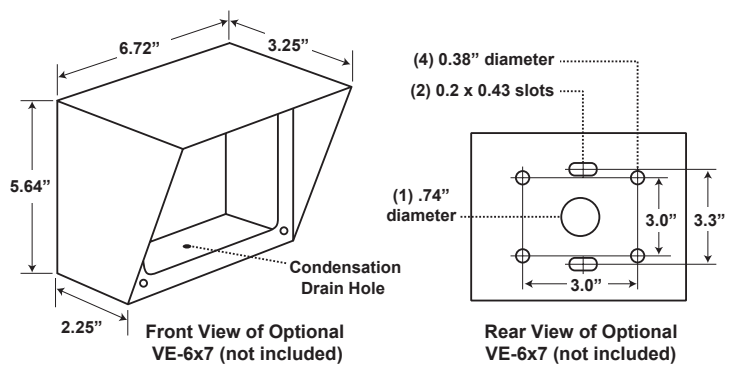
? Need More Information on Talk Battery? Call (715) 386-4345 and select 512.



* Clean surface and adhere label when used with the K-1900-3 Apartment Entry Dialer.

Optional VE-6x7 Surface Mount Box (not included) is designed to be surface mounted to a single gang box, pedestal or directly to a wall.

? Need More Information on the VE-6x7? Call (715) 386-4345 and select 424.



Programming

A. Dip Switch Programming

Switch 1	Switch 2	Maximum Call Time
OFF	OFF	Disabled (default)
ON	OFF	1 minute
OFF	ON	3 minutes
ON	ON	9 minutes

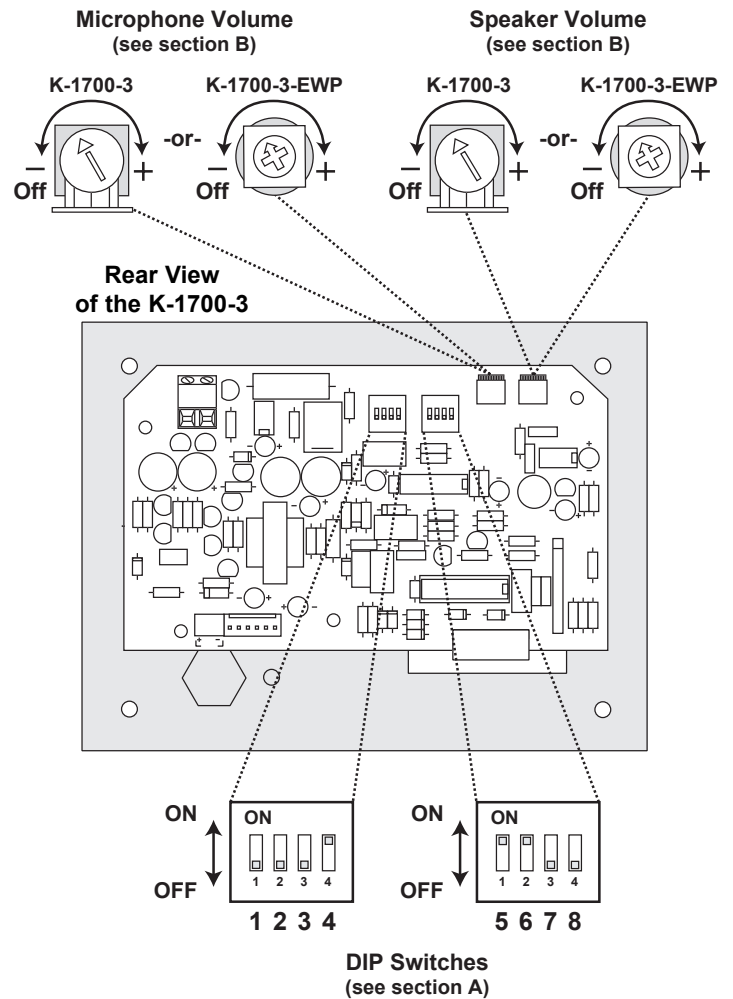
Switch 3	Switch 4	Disconnect on Silence
OFF	OFF	Off
ON	OFF	10 seconds
OFF	ON	40 seconds (default)
ON	ON	90 seconds

Switch 5	Auto Answer Feature
OFF	Automatic answer disabled
ON	Automatic answer enabled (default)

Switch 6	Push Button Feature
OFF	Connects calls only
ON	Connects/disconnects calls (default)

Switch 7	Touch Tone Output
OFF	Momentary Touch Tone, 125ms (default)
ON	Continuous Touch Tone (while key is pressed)

Switch 8	VOX Switching Speed
OFF	Fast, 0.2 seconds (default)
ON	Slow, 0.7 seconds



B. Volume Adjustments

- Microphone:** Certain noisy locations (background traffic, machinery or wind) may cause one way talk path (only microphone audio is heard). In this case, the microphone volume may need to be decreased as shown above.
- Speaker:** To increase, decrease or turn off the speaker (for monitoring purposes only), adjust the speaker volume control as shown above.

C. Auto-Answer Feature (DIP Switch 5)

With DIP switch **5** in the "ON" position (default), the **K-1700-3** will automatically answer the line during the first incoming ring. This feature is useful for monitoring entrances. In the "OFF" position, the **K-1700-3** will not automatically answer incoming calls.

D. Push Button Hang Up (DIP Switch 6)

With DIP switch **6** in the "ON" position (default), the "Call" button alternately connects and disconnects calls. In the "OFF" position, the "Call" button is only used to connect and the **K-1700-3** must rely on call progress (busy, return to dial tone, silence time-out, or maximum call time) for an automatic disconnect.

E. Momentary or Continuous Touch Tone Output (DIP Switch 7)

With DIP switch **7** in the "OFF" position (default), the **K-1700-3** will output a momentary Touch Tone (125ms) each time a key is pressed. To generate Touch Tones for as long as a key is pressed, put DIP switch 7 to the "ON" position.

Note: The unit requires higher loop current (26mA minimum) with DIP switch 7 "ON".

F. VOX (Talk/Listen) Switching Speed (DIP Switch 8)

With DIP switch **8** in the "OFF" position (default), the VOX switching speed (delay time between talk and listen mode) is set to fast (0.2 seconds). In the "ON" position, it is set to slow (0.7 seconds).

G. Advanced Call Progress Detection

The **K-1700-3** will output 3 beeps and automatically hang-up after detecting any of the following: busy signal (standard or fast/reorder), CPC (short break in line current when called party hangs up), return to dial tone, maximum call time or silence time out.

Applications

A. C-2000 Advanced Door Entry Controller



? Need More Information on the C-2000?
Call (715) 386-4345 and select 156.

The **C-2000** allows up to 4 entry phones to call into your existing residential or business phones or phone system. Tenants may answer the call, converse with the visitor and activate a contact closure to control electronic gates or door strikes.

The **C-2000** provides "Caller ID," "Call Waiting ID" and "Call Waiting" tone when the phone line is in use. Tenants may gain entry at each gate by entering a Touch Tone keyless entry code.

Tenants may call out to each entry phone for monitoring purposes. An auxiliary input is also available for connecting a common garage door opener/receiver and auxiliary keyless entry keypads.

B. C-3000 Apartment Entry System

This entry system is designed to utilize a building's existing telephone wiring and to address a variety of apartment entry applications. Viking's **C-3000** Entry System provides secure multi-tenant building access, without the need for any C.O. lines; the only requirement is that each tenant have a touch-tone telephone set wired to their apartment. Conversely, the **C-3000** performs equally as well in installations where C.O. lines are present. An individual **C-3000** module has a 12-tenant capacity; for larger applications, a maximum of eight (8) **C-3000** modules can be interconnected, allowing a total system capacity of up to 96 tenants. A **C-3000** system consists of at least one Master **C-3000** module, and as many as seven Slave modules.



? Need More Information on the C-3000?
Call (715) 386-4345 and select 162.

C. K-1900-3 Apartment/Office Entry Dialer



? Need More Information on the K-1900-3?
Call (715) 386-4345 and select 312.

The **K-1900-3** converts any Touch Tone phone into a multi-number auto dialer that will store up to 150 telephone numbers in non-volatile E² memory. Use with Viking's **K-1700-3** or **K-1900-8** phones to provide vandal resistant handsfree or handset communication.

When a call initiated by the **K-1900-3** is answered by an apartment or business tenant, a built-in contact closure may be activated to control an electric gate or door strike. Up to 150 keyless entry codes may also be programmed, providing tenants with keyless entry. The **K-1900-3** can be programmed locally or remotely using a standard Touch Tone phone. The **K-1900-3** has built-in user dialing restriction to help prevent unauthorized calls and toll fraud.

D. K-1900-9 AC Powered Single or Multi-Number Dialer

The **K-1900-9** may be used with any standard Touch Tone phone to provide single number (hot-line) or multi-number speed dialing. The **K-1900-9** is capable of storing 100 telephone numbers in non-volatile E² memory and will operate on any standard loop start C.O. line or analog PABX/KSU station with a standard Touch Tone phone.

When programmed as a multi-number dialer, the **K-1900-9** will allow the user to enter a 1 or 2 digit Touch Tone code which will trigger the unit to speed dial one of up to 100 different telephone numbers. When programmed as a single number hot-line dialer, the **K-1900-9** will dial a single pre-programmed number when any off-hook condition is detected on the "PHONE" port. The **K-1900-9** can also be used as an alarm dialer, initializing speed dialing from a contact closure.



? Need More Information on the K-1900-9?
Call (715) 386-4345 and select 321.

Product Support Line...715.386.8666

Fax Back Line...715.386.4345

Due to the dynamic nature of the product design, the information contained in this document is subject to change without notice. Viking Electronics, and its affiliates and/or subsidiaries assume no responsibility for errors and omissions contained in this information. Revisions of this document or new editions of it may be issued to incorporate such changes.