

BALLUFF

BIC 1B0-ITA50-G28MG2-EPX0-020-M44A
BIC 2B0-ITA50-G28MG2-EPX0-020-M45A
User's Guide



Table of Contents

1	Safety	2
1.1.	Installation and Startup	2
1.2.	General Safety Notes	2
	Dangerous Voltage	2
	Approved Use	2
1.3.	Safety Precautions	2
	Protection from electromagnetic fields	3
1.4.	Resistance to Aggressive Substances	3
2	System Overview	4
2.1.	System Overview	4
3	Installation	5
3.1.	Mutual Interference	5
3.2.	Installation in metal	5
4	Energy Transmission	6
4.1.	Derating	6
	Derating curve	6
	Note	6
	Permitted Angle Offset	7
	Ambient temperature	7
4.2.	Power reduction	7
5	IO-Link communication	8
5.1.	Transmission properties	8
	IO-Link communication	8
	PIN2	8
5.2.	Connection Time	8
6	Technical Data	9
6.1.	Base	9
	LED 1 / LED 2	9
	Mechanical Data	9
	Mechanical Data - pigtail	9
	Electrical Data	10
	Operating conditions	10
	Pin assignment	10
6.2.	Remote	11
	LED 1 / LED 2	11
	Mechanical Data	11
	Mechanical Data - pigtail	11
	Electrical Data	12
	Operating conditions	12
	Pin assignment	12
7	Ordering information	13
	Notes	14

1 Safety

1.1. Installation and Startup



Attention!

Installation and startup are to be performed by trained technical personnel only. Skilled specialists are people who are familiar with the work such as installation and the operation of the product and have the necessary qualifications for these tasks. Any damage resulting from unauthorized tampering or improper use shall void warranty and liability claims against the manufacturer. The operator is responsible for ensuring that the valid safety and accident prevention regulations are observed in specific individual cases.

1.2. General Safety Notes

Commissioning and inspection

The operating company shall be responsible for observance of locally applicable safety regulations.

Before commissioning, carefully read the User's Guide.

The system must not be used in applications in which the safety of persons depends on the function of the device.

Intended use

Warranty and liability claims against the manufacturer shall be rendered void by damage from:

- Unauthorized tampering
- Improper use
- Use, installation or handling contrary to the instructions provided in this User's Guide.

Obligations of the Operating Company

The device is a piece of equipment in accordance with EMC Class A. Such equipment may generate RF noise. The owner/operator must take appropriate precautionary measures against this for its use. The device may be used only with a power supply approved for this. Only approved cables may be connected.

Malfunctions

In the event of defects and device malfunctions that cannot be rectified, the device must be taken out of operation and protected against unauthorized use.

Dangerous Voltage



Attention!

Before working on the device, switch off its power supply.

Approved Use

Attention!

Inductive coupling systems (BIC) are devices for contact-free energy and signal transmission in industrial environments.



Use is particularly not allowed:

- In environments with explosive atmospheres
- In application in which the safety of people or machines can be affected by transmitted signals (safety-relevant circuits).

1.3. Safety Precautions



Caution!

Risk of burning on hot surfaces! The sensing surface heats up even under normal operating conditions. Keep hands and objects away from the sensing surface. Metallic objects must not get distances A, B or between the sensing surfaces of the base and remote. Fire hazard! (cf. Section 3.2)

Protection from electromagnetic fields



Protection from electromagnetic fields during operation and assembly

At a distance of 300 mm the magnetic field strength of a BIC is less than 0.092 μT . Based on the EU Council recommendation 1999/5/EC, in accordance with EN 62311:2008, this distance is regarded as the basic limit value or reference value for the safety of persons in electromagnetic fields. For persons with live medical implants, additional (operational) limit values may apply.

1.4. Resistance to Aggressive Substances



Attention!

The BNI modules always have good chemical and oil resistance. When used in aggressive media (such as chemicals, oils, lubricants and coolants, each in a high concentration (i.e. too little water content)), the material must first be checked for resistance in the particular application. No defect claims may be asserted in the event of a failure or damage to the BIC modules caused by such aggressive media.



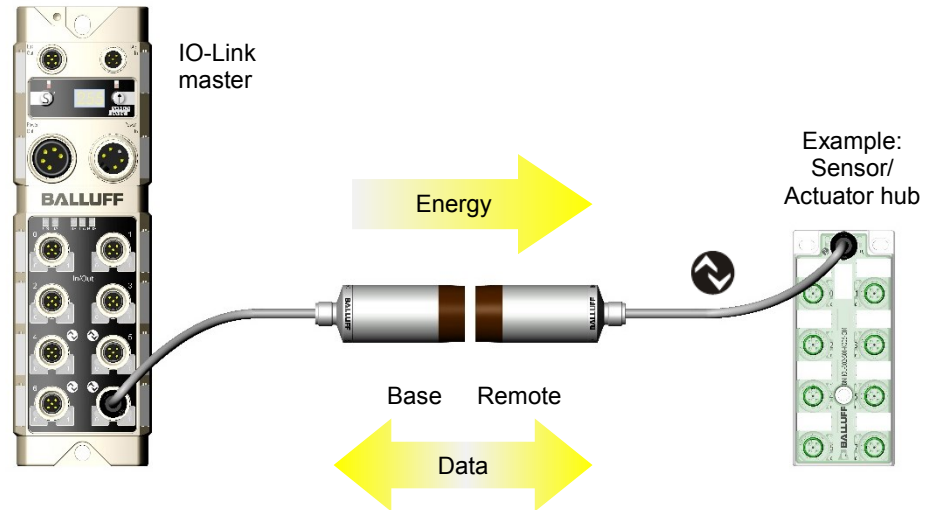
Note

In the interest of continuous improvement of the product, Balluff GmbH reserves the right to change the technical data of the product and the content of these instructions at any time without notice.

Balluff Inductive Coupler System
BIC 1B0-ITA50-G28MG2-EPX0-020-M44A (Base)
BIC 2B0-ITA50-G28MG2-EPX0-020-M45A (Remote)

2 System Overview

2.1. System Overview



System description:

The BIC system consists of two components, the Base and the Remote. It transmits electrical power from the stationary component (Base) over the air gap to the mobile component (Remote). The transmission distance of the Base and Remote may be up to 10mm depending on the power consumed.

In SIO mode the BIC system sends the IO signal of the device to the BIC system Base.

In IO-Link mode the BIC system transmits the IO-Link port data from the IO-Link master (see previous figure) to the BIC system Remote. In this way, the IO-Link functionality of the IO-Link master port is made available without contact on the remote.

Operation of the BIC system is possible using Balluff IO-Link masters. Use of masters from other manufacturers has been successfully tested, but this is not guaranteed.

When using a Profibus IO-Link master module from Balluff GmbH only modules having the following hardware version are compatible.

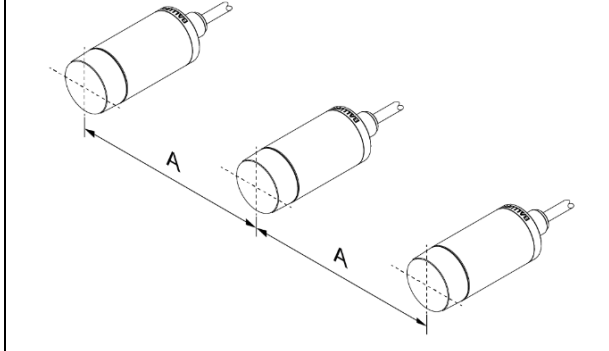
PBS Master	Hardware version
BNI PBS-502-101-Z001	HW07
BNI PBS-504-002-K008	HW03
BNI PBS-507-002-Z011	HW06

3 Installation

3.1. Mutual Interference

To prevent mutual interference of data transmission with adjacent bases or remotes, the specified minimum distances must be adhered to:

Type	A (mm)
BIC 1B0-ITA50-G28MG2-EPX0-020-M44A	≥ 70
BIC 2B0-ITA50-G28MG2-EPX0-020-M45A	≥ 70



3.2. Installation in metal



Attention!

Metallic surroundings may generate induction effects that can damage the device!



Attention!

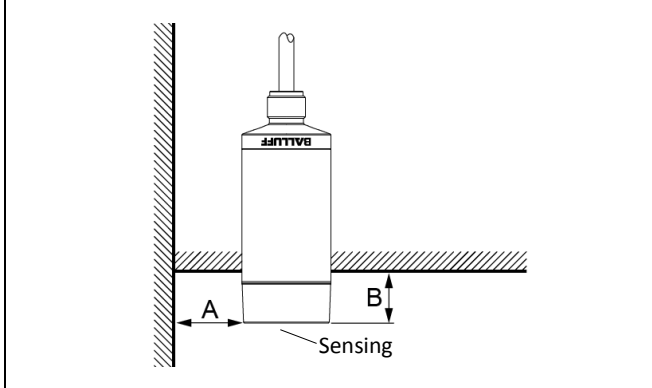
Metallic objects in front of and on the coil cap cause the sensing surface to be heated. The sensing surface is marked by the crosshairs on the housing (see figure in Section 3.1).



Note

Install the components so that no metallic objects are in the zone produced by distances A and B. Distances A and B must be maintained independently of each other!

Type	A (mm)	B (mm)
BIC 1B0-ITA50-G28MG2-EPX0-020-M44A	≥ 20	≥ 15
BIC 2B0-ITA50-G28MG2-EPX0-020-M45A	≥ 20	≥ 15



A: Lateral separation

B: Separation of the sensing surface from the rear mounting surface.

Balluff Inductive Coupler System
BIC 1B0-ITA50-G28MG2-EPX0-020-M44A (Base)
BIC 2B0-ITA50-G28MG2-EPX0-020-M45A (Remote)

4 Energy Transmission

The maximum transmittable power with the BIC system depends on the separation, lateral axial offset and angular offset.

4.1. Derating

Explanations for increasing the maximum transmittable power as well as increasing the maximum transmission distance.

Reducing the ambient temperature as well as the separation, lateral axial offset and angular offset can increase the maximum transmittable power. Similarly, if the power requirements are low, the transmission distance of the BIC system, for example, can be increased.

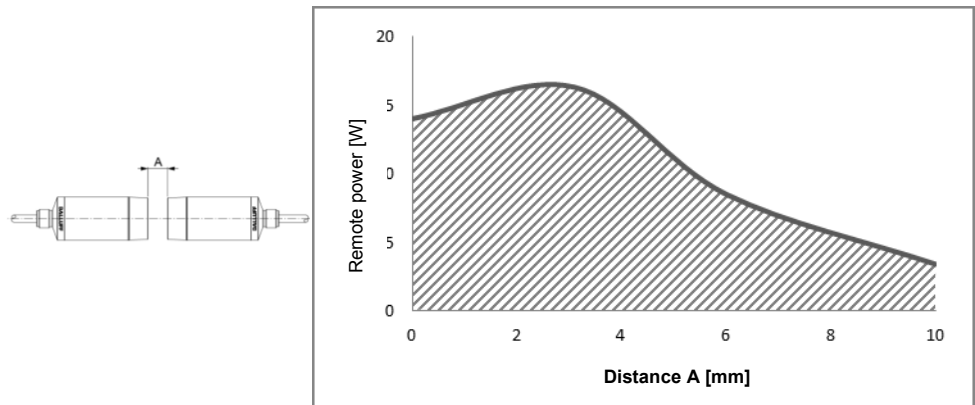


Note

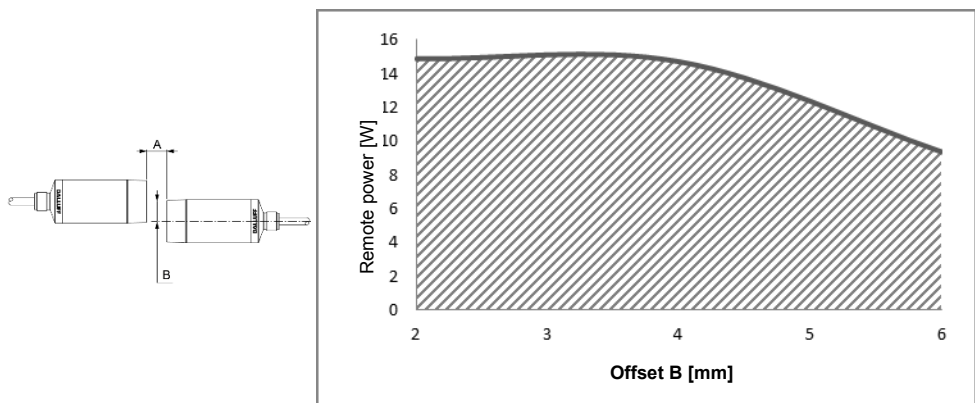
If the BIC system is operated with a correspondingly large overload, the output voltage of the Remote will collapse.

Derating curve

The following illustration shows the typical transmittable power with respect to the transmission distance A without any offset of the BIC system.



The following illustration shows the typical transmittable power at separation A = 3mm with respect to lateral offset B of the BIC system.



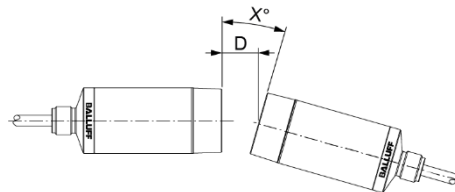
Note

The measurements used for the derating curves were performed without any angular offset. The value ranges of the derating curves are to be interpreted as typical values.

4 Energy transmission

Permitted Angle Offset

The following illustration shows the typical angular offset with a load of 500mA of the BIC system.

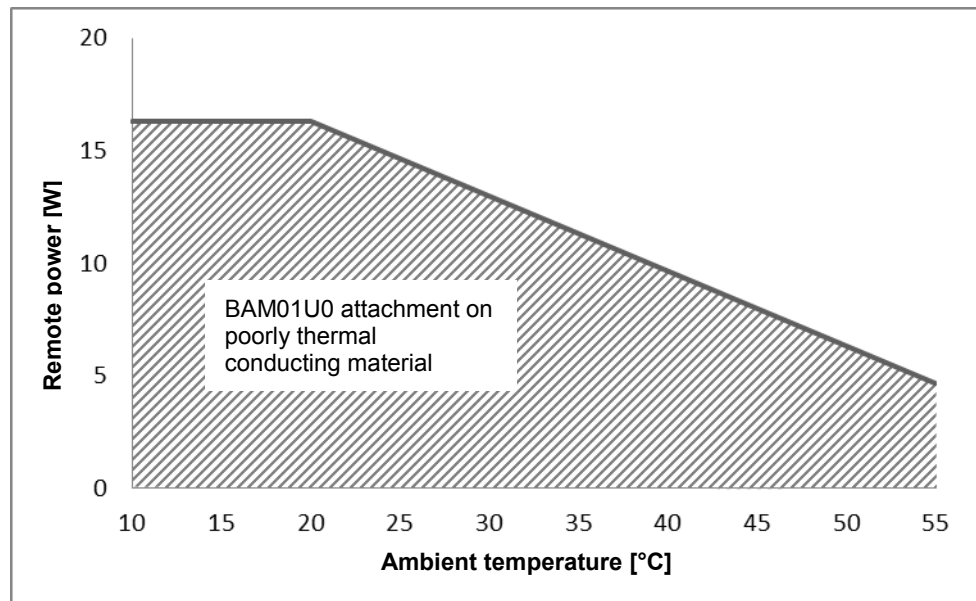


Distance D (mm)	Angle X (°)
1	11
2	8
3	5
4	0

Ambient temperature

The continuous transmittable power of the system is reduced as a function of the ambient temperature. To protect from damage caused by overheating the power and data transmission are turned off when overtemperature occurs. (cf. Sec. 6.1).

The following illustration shows a typical derating curve of the BIC system at a distance of 3 mm and without lateral offset between the Base and Remote. The BAM01U0 holder was used for attaching the BIC system.



Note

If an average greater output current at higher ambient temperature is required than shown above, the continuous output power of the Remote can be increased by means of thermal transfer (e.g. using a heat sink or by attaching to a material which is heat conducting).

4.2. Power reduction

To protect people and the environment, the base component automatically reduces power, which is emitted in the form of electromagnetic fields, as soon as the remote component is disconnected.

The technical benefit is the prevention of heating metallic objects that end up in front of the base when the remote is disconnected.

Balluff Inductive Coupler System
BIC 1B0-ITA50-G28MG2-EPX0-020-M44A (Base)
BIC 2B0-ITA50-G28MG2-EPX0-020-M45A (Remote)

5 IO-Link communication

5.1. Transmission properties

BIC 1B0-ITA50-G28MG2-EPX0-020-M44A, BIC 2B0-ITA50-G28MG2-EPX0-020-M45A	
Transmission rate	COM2 (38.4 kBaud)
Min cycle time	Device + 2 ms
Process data cycle	Device + 2 ms
SIO mode	yes
Type of master port	A
Process data in	0...32 bytes
Process data out	0...32 bytes

IO-Link communication

The BIC system transmits the IO-Link protocol (all IO-Link input and output data as well as diagnostic data), regardless of the length of the process data. The IO-Link protocol is transmitted without any restrictions so the BIC system parameters do not need adjusting. Only the IO-Link device connected to the BIC system has to be integrated in the control.

This means there is no IODD for the bi-directional BIC M30.



Note

The BIC system can only be operated using Balluff IO-Link masters. Use of masters from other manufacturers has been successfully tested, but this is not guaranteed.

PIN2

Pin 2 on the Base transmits the signal status "High Active" from the IO-Link port on the master to the IO-Link device.

5.2. Connection Time

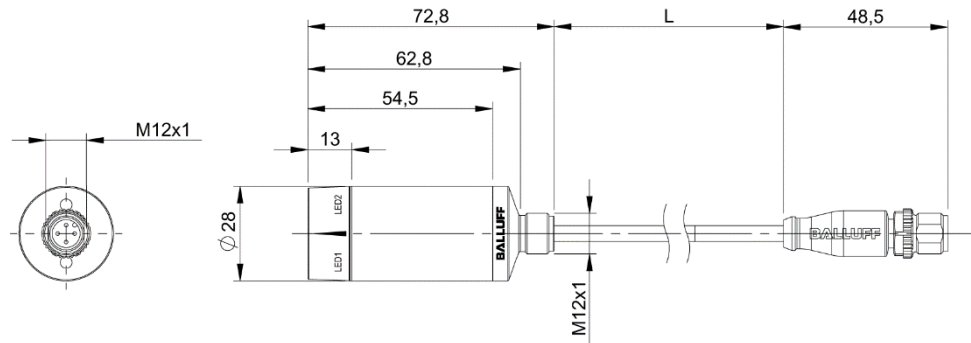
The time needed to establish the connection of base and remote is affected by many different variables. Start-up speed and angle play just as much of a role as the IO-Link device connected to the Remote and the IO-Link parameters set within it. The type of IO-Link master used and its parameter settings also affect the connection time. These variables are all application-specific and therefore cannot be generalized.

The measurements carried out by Balluff to determine the connection time were done using a Balluff EtherNet-IP master in combination with the Balluff IO-Link device "BNI IOL-302-00-Z012". The distance from base to remote was 4 mm without axis and angular offset. A total of 100,000 connection cycles comprising a variety of directions and speeds were evaluated.

typical connection time
≤ 500 ms

6 Technical Data

6.1. Base



LED 1 / LED 2

LED	Indicator	Function
LED 1	Green, static	Supply voltage OK
	Green, inverted flashing	IO-Link communication OK
LED 2	Yellow on	Pin 2 high
	Yellow off	Pin 2 low
	Red, flashing	Undervoltage or overvoltage
	Red, illuminated and stays on	Excess temperature

Mechanical Data

Sensing surface material	PC
Housing material	CuZn coated
Housing degree of protection	IP 67 (only in plugged-in and screwed-down state)
Type	M30 x 66,3
Weight	165 g

Mechanical Data - pigtail

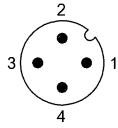
Head	4
Connector style	Connector M12, A-coded
Number of pins	4
Cable length	2 m
Conductor cross-section	4 x 0.34 mm ²
Cable diameter	4.7 mm
Bending radius fixed cable	min. 5 x D
Bending radius repeated	min. 10 x D
Bending cycles	> 5 mil.
Grip material	PUR
Cap nut material	GD-Zn
Cable jacket material	PUR
Contact carrier material	PUR
Contact material	Brass
Tightening torque pigtail	0.6 Nm

6 Technical Data

Electrical Data	Operating voltage	24 V DC \pm 10%, corresponding to EN 61131-2
	Current consumption	< 1.4 A
	No-load current	\leq 200 mA
	Overload protection	yes
	Ripple	< 1%

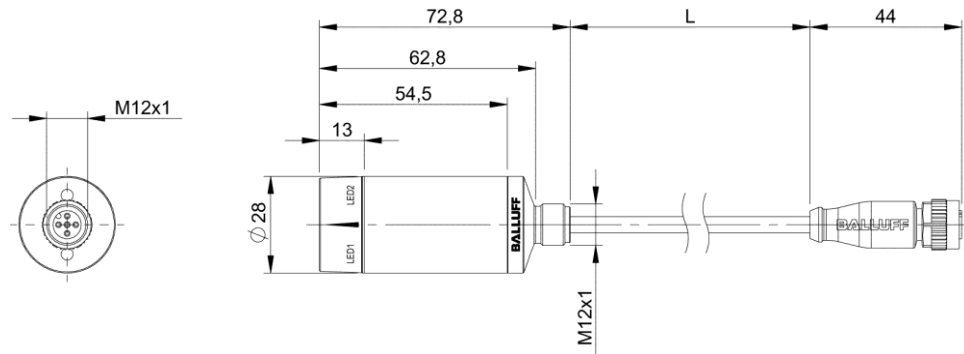
Operating conditions	Operating temperature Ta Storage temperature	-5°C ... 55°C (cf. Sec. 4.1) -25°C ... 70°C
	EMC	This product meets the EMC requirements according to the separately provided Declaration of Conformity.
	Vibration/shock	EN 60068-2-6, EN 60068-2-27

Pin assignment

Power (M12, 5-pin connector)		
	Pin	Signal
	1	+24 V
	2	PIN 2 Input
	3	GND, 0
	4	C/Q, IO-Link

6 Technical Data

6.2. Remote



LED 1 / LED 2

LED	Indicator	Function
LED 1	Green, static	Supply voltage OK
	Green, inverted flashing	IO-Link communication OK
LED 2	Yellow on	Pin 2 high
	Yellow off	Pin 2 low

Mechanical Data

Sensing surface material	PC
Housing material	CuZn coated
Housing degree of protection	IP 67 (only in plugged-in and screwed-down state)
Dimensions (W x H x D in mm)	M30 x 72,1
Weight	170 g

Mechanical Data - pigtail

Head	4
Connector style	Socket M12, A-coded
Number of pins	5
Cable length	2 m
Conductor cross-section	4 x 0.34 mm ²
Cable diameter	4.7 mm
Bending radius fixed cable	min. 5 x D
Bending radius repeated	min. 10 x D
Bending cycles	> 5 mil.
Grip material	PUR
Cap nut material	GD-Sn
Cable jacket material	PUR
Contact carrier material	PUR
Contact material	Bronze
Tightening torque pigtail	0.6 Nm

Balluff Inductive Coupler System
BIC 1B0-ITA50-G28MG2-EPX0-020-M44A (Base)
BIC 2B0-ITA50-G28MG2-EPX0-020-M45A (Remote)

6 Technical Data

Electrical Data	Output voltage	24 V DC $\pm 5\%$
	Short-circuit protected	yes

Operating conditions	Operating temperature T_a	-5°C ... 55°C (cf. Sec. 4.1)
	Storage temperature	-25°C ... 70°C
	EMC	This product meets the EMC requirements according to the separately provided Declaration of Conformity.
	Vibration/shock	EN 60068-2-6, EN 60068-2-27

Pin assignment

Power (M12, 5-pin socket)		
	Pin	Signal
	1	+24 V
	2	PNP output
	3	GND, 0 V
	4	C/Q, IO-Link, SIO
	5	NC

7 Ordering information

Ordering information

Product	Order code
BIC 1B0-ITA50-G28MG2-EPX0-020-M44A (Base)	BIC007M
BIC 2B0-ITA50-G28MG2-EPX0-020-M45A (Remote)	BIC007N

Balluff Inductive Coupler System
BIC 1B0-ITA50-G28MG2-EPX0-020-M44A (Base)
BIC 2B0-ITA50-G28MG2-EPX0-020-M45A (Remote)

Notes

www.balluff.com

Balluff GmbH
Schurwaldstrasse 9
73765 Neuhausen a.d.F.
Germany
Tel. +49 7158 173-0
Fax +49 7158 5010
balluff@balluff.de

BALLUFF

No. 933810 EN • Edition B17 • Subject to modifications