

FLOOR BOX SYSTEMS

Quick Selection Guide

Wiremold® Floor Boxes are TopGuard protected to meet and exceed the UL scrub water exclusion requirement.



On-Grade Floor Boxes for Concrete Floors (continued)

EPOXY PAINTED METAL & CAST IRON BOXES (continued)										
Box Model	Concrete	Wood	Box Type	Box Capacity	Depth Behind Plates	AV Compatibility	Trade Size Conduit Feed	Cover Style	Country of Origin	Adjustability
RFBA4C30-OG	Yes	No	On-Grade	4 Gangs	(2X) 3-1/16 (ends) (78 mm) (2X) 2-9/16 (sides) (65 mm)	Legrand AVIP, Atinex, Intera, Extron AAP & MAAP, Decorator, Ortronics TracJack & Series II	3/4" - 2"* (1-1/4" & 1-1/2" in bottom)e	Evolution 6CT2 & 6CTC2 Series	USA/ Mexico	Fully Adjustable
RFBA6C30-OG	Yes	No	On-Grade	6 Gangs	(2X) 2-9/16 (ends) (78 mm) (4X) 2-7/8 (73 mm)	Legrand AVIP, Atinex, Intera, Extron AAP & MAAP, Decorator, Ortronics TracJack & Series II	3/4" - 2"* (1-1/4" & 1-1/2" in bottom)	Evolution 8CT2 & 8CTC2 Series	USA/ Mexico	Fully Adjustable
RFBA10C55-OG	Yes	No	On-Grade	10 Gangs	(10) 2-1/2 (64 mm)	Legrand AVIP, Atinex, Intera, Extron AAP & MAAP, Decorator, Ortronics TracJack & Series II	3/4" - 2"	Evolution 8CT2 & 8CTC2 Series	USA/ Mexico	Fully Adjustable

Box Model	Box Type	Service Capability	Box Capacity	Box Construction	Depth Behind Device Plates	KO Sizes	Cover Model	Finished Floor Type	Cover & Flange Part Nos.	Notes
Evolution Series EFB6S-OG	Rectangular	Triple	6 Gangs	Steel	3 7/8" (98mm)	3/4" - 2" Trade Size	Evolution Rectangular Die-Cast Aluminum	Tile, Carpet, Wood, Terrazzo, Polished Concrete	EFB6810CTC, EFB6810BTC, EFB6810BT, EFB6810CT	Removable Modules, Standard Size Device Plates
Evolution Series EFB8S-OG	Rectangular	Triple	8 Gangs	Steel	3 1/2" (89mm)	3/4" - 2" Trade Size	Evolution Rectangular	Tile, Carpet, Wood, Terrazzo, Polished Concrete	EFB6810CTC, EFB6810BTC, EFB6810BT, EFB6810CT	Removable Modules, Standard size Device Plates
Evolution Series EFB10S-OG	Rectangular	Triple	10 Gangs	Steel	3 1/2" (89mm)	3/4" - 2" Trade Size	Evolution Rectangular	Tile, Carpet, Wood, Terrazzo, Polished Concrete	EFB6810CTC, EFB6810BTC, EFB6810BT, EFB6810CT	Removable Modules, Finished Interior
800 Series 800CILCK	Round	Single	1 Gang	Cast Iron	N/A	1/2" - 3/4" Trade Size	Brass	Tile, Carpet	825 Series	Flush Devices, Fully Adjustable
OmniBox 880CS1, 880CM1	Rectangular	Single	1 Gang	Cast Iron	880CS1: 2 3/4" (70mm) 880CM1: 1 3/4" (44mm)	1" Trade Size	Metal, Polycarbonate	Tile, Carpet	817, 818, 828, 829, 830 Series	Flush Devices, Fully Adjustable
OmniBox 880CS2, 880CM2	Rectangular	Dual	2 Gangs	Cast Iron	880CS2: 2 3/4" (70mm) 880CM2: 1 3/4" (44mm)	1" Trade Size	Metal, Polycarbonate	Tile, Carpet	827, 828, 829, 830 Series	Flush Devices, Fully Adjustable
OmniBox 880CS3, 880CM3	Rectangular	Triple	3 Gangs	Cast Iron	880CS3: 2 3/4" (70mm) 880CM3: 1 3/4" (44mm)	1" Trade Size	Metal, Polycarbonate	Tile, Carpet	828, 829, 830, 837, 838 Series	Flush Devices, Fully Adjustable
880 Series 887B/889B	Round	Single	1 Gang	Cast Iron	887B: 2" (51mm) 889B: 3" (76mm)	887B: 1/2" - 3/4" 889B: 1" - 1 1/4" Trade Size	Metal, Polycarbonate	Tile, Carpet	895, 896 Series	Flush Devices, Fully Adjustable
CCBB Series CCBS-OG	Rectangular	Triple	12 Gangs	Steel	CCBS-OG: 3 3/4" (95mm)	CCBS: 3/4" - 2" Trade Size	Cast Aluminum	Carpet	CCBBSBTCAL, CCBBSCTCAL	Recessed Devices, Adjustable Pre-pour
CCFB Series	Rectangular	Multi	Customs	Steel	Custom	Field Punched	Cast Aluminum	Tile, Carpet, Bare Concrete	CCFBCTC	Power, A/V, Comm., Water, Air

NOTE: Most Wiremold floor boxes and accessories are listed by Underwriters Laboratories Inc. and comply with Federal Specifications W-C-583b in one of the following types and classes: Type I-Fully adjustable, Type II-Semi-adjustable, Type III-Non-adjustable, Class 1-Watertight, Class 2-Concrete-tight.v

800 SERIES™ FLOOR BOXES



800 Series™ Semi-Adjustable Floor Boxes provide an economical solution for low density power or communication services in open space areas.

CODE REFERENCE

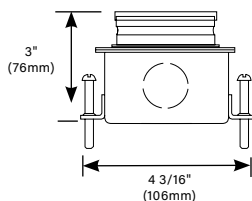
cULus Listed
Metallic Outlet Boxes:
 File E2961 Guide QCIT.

800 Series Floor Boxes Technical Specifications

CAT. NO.	ADJUSTMENT		CAPACITY CUBIC IN. (CM ³)	KNOCKOUTS OR CONDUIT OPENINGS
	BEFORE THE POUR	AFTER THE POUR		
800LCK	2 3/4" vertical (70mm)	1/2" vertical (12.7mm)	23.6 cu. in. (357ml ³)	Sides - (2)-1/2" (12.7mm); (2)-3/4" (19.1mm) Bottom - (2)-1/2" (12.7mm); (2)-3/4" (19.1mm)
800CILCK	2 3/4" vertical (70mm)	1/2" vertical (12.7mm)	28.3 cu. in. (463ml ³)	Sides - (2)-1/2" (12.7mm) and (2)-3/4" (19.1mm) threaded

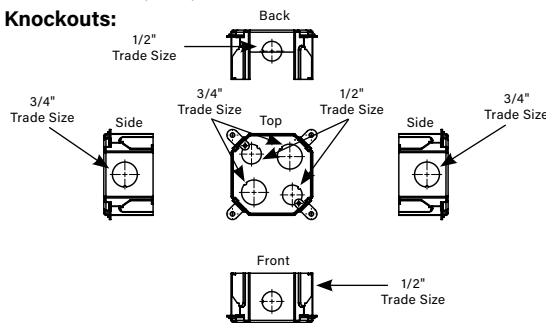
800 Series Semi-Adjustable Floor Boxes Ordering Information

800LCK Steel Floor Box

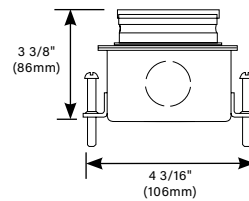


Adjustable before and after the concrete pour. Sold less conversion kit.

Knockouts:

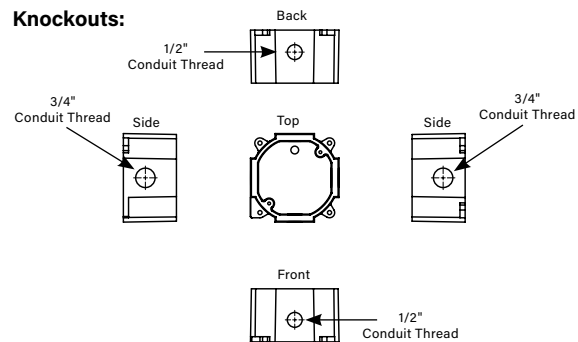


800CILCK Cast-Iron Floor Box



Adjustable before and after the concrete pour. Sold less conversion kit.

Knockouts:



COLOR OPTIONS

