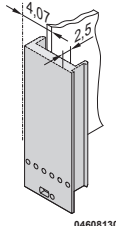
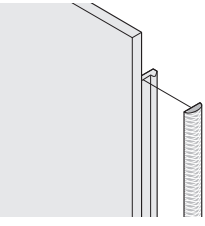
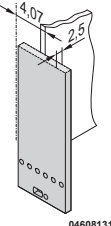
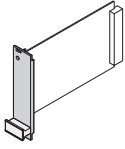
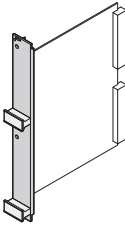


# Plug-in units – for IEC 60297, trapeziform

Individual components

Front panels for static cantilever handles

## Order Information

		Front panel, U-profile, shieldable		Front panel unshielded	
		Front panel, U-profile	Textile EMC gasket		
					
		Al extrusion, front anodised, rear conductive, alignment pin pressed-in, stainless steel	always fixed laterally on the front panel, in the groove of the profile, textile gasket, core: foam, sleeve: textile cladding with CuNi coating, UL 94 V-0, temperature range -40 ... 70 °C		front panel, Al 2.5 mm; front anodised; rear iridescent green chromated
<b>Width HP</b>		1 piece (SPQ 5) <sup>1)</sup>	PU 10 pieces	PU 100 pieces	1 piece (SPQ 5) <sup>1)</sup>
<b>3 U Height</b>					
					
	3	<b>30849-086</b>	<b>21101-853</b>	<b>21101-854</b>	<b>30847-602</b>
	4	<b>30849-087</b>			<b>30847-603</b>
	5	<b>30849-088</b>			<b>30847-604</b>
	6	<b>30849-089</b>			<b>30847-605</b>
	7	<b>30849-090</b>			<b>30847-606</b>
	8	<b>30849-091</b>			<b>30847-607</b>
	10	<b>30849-092</b>			<b>30847-608</b>
	12	<b>30849-093</b>			<b>30847-609</b>
<b>6 U Height</b>					
					
	3	<b>30849-097</b>	<b>21101-855</b>	<b>21101-856</b>	<b>30847-625</b>
	4	<b>30849-098</b>			<b>30847-626</b>
	5	<b>30849-099</b>			<b>30847-627</b>
	6	<b>30849-100</b>			<b>30847-628</b>
	7	<b>30849-101</b>			–
	8	<b>30849-102</b>			<b>30847-630</b>
	10	<b>30849-103</b>			<b>30847-631</b>
	12	<b>30849-104</b>			–
Dimensions see page		7.58			7.58

1) SPQ (standard pack quantity): Part number includes 1 piece, but delivery is exclusively made in standard pack quantity (SPQ); please order at least the SPQ quantity or a multiple  
Part no. includes one packing unit (PU); delivery is exclusively made in PU