
INSTALLATION INSTRUCTIONS

1-1/2" NPT Threaded Coupler Accessory

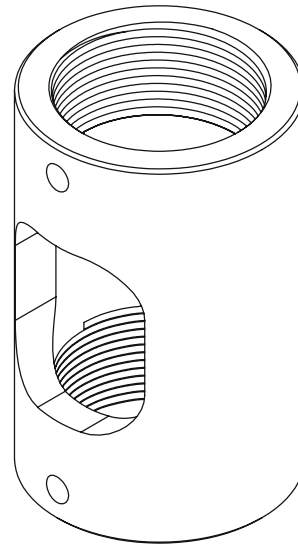
Model: CMA-152 

Specifications:

- Couples two 1-1/2" NPT threaded columns while providing cable access.
- Intended for use with Chief CMA Series accessories and RPA Series mounts.

NOTE: U.L. listed assemblies require the use of U.L. listed components.

- Weight capacity of 500 lbs (227 kg).



BEFORE YOU BEGIN



WARNING: It is the installer's responsibility to make sure all components are properly assembled and installed using the instructions provided. Failure to read, thoroughly understand, and follow all instructions can result in serious personal injury, damage to equipment, or voiding of factory warranty.

- If you have any questions about these instructions or your specific installation, contact Chief Manufacturing at 1-800-582-6480 or 952-894-6280.

! IMPORTANT WARNINGS AND CAUTIONS!

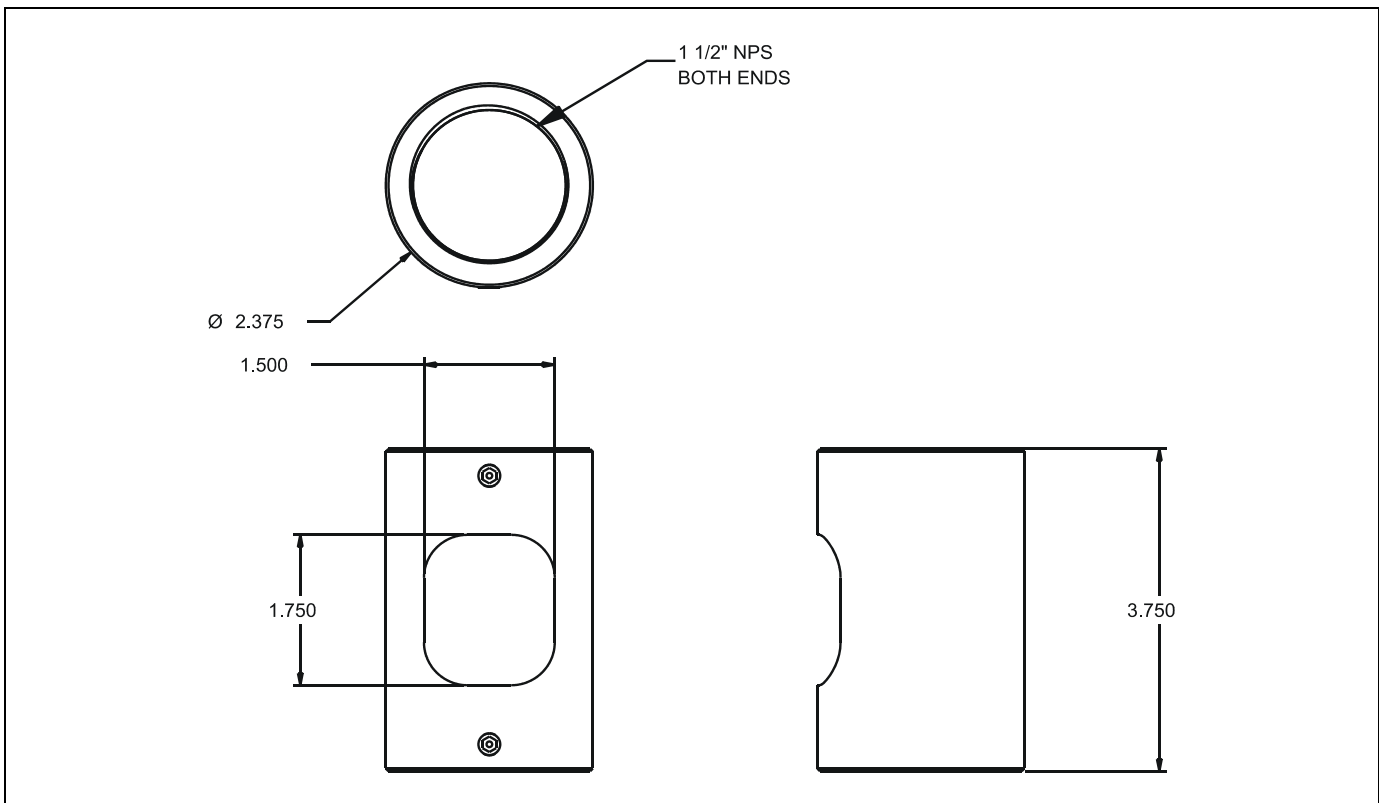
WARNING: A WARNING alerts you to the possibility of serious injury or death if you do not follow the instructions.

CAUTION: A CAUTION alerts you to the possibility of damage or destruction of equipment if you do not follow the corresponding instructions.

! WARNING: Exceeding the weight capacity can result in serious personal injury or damage to equipment! It is the installer's responsibility to make sure the combined weight of all components located between the CMA-152 up to (and including) the display/projector does not exceed 500 lbs (227 kg).

- The weight capacity of the CMA-152 may be LIMITED to the lowest weight capacity of any other component located between the CMA-152 and the supporting structure!

DIMENSIONS



TOOLS REQUIRED FOR INSTALLATION

- Pipe Wrench
- 5/32" Security Hex Key (provided)

NOTE: Other tools may be required depending on your method of installation.

PARTS

After unpacking carton, inspect and verify contents (See Figure 1). If any listed parts are missing or damaged, contact Chief Customer Service at 1-800-582-6480.

Table 1: Parts

Item	Description	Qty
10	COUPLER, 1-1/2" NPT	1
20	SCREW, Security Set, 5/16"-18 x 5/16	2
30	KEY, Security Hex, 5/32"	1
	COLUMN, Threaded, 1-1/2" NPT (required, not supplied)	2

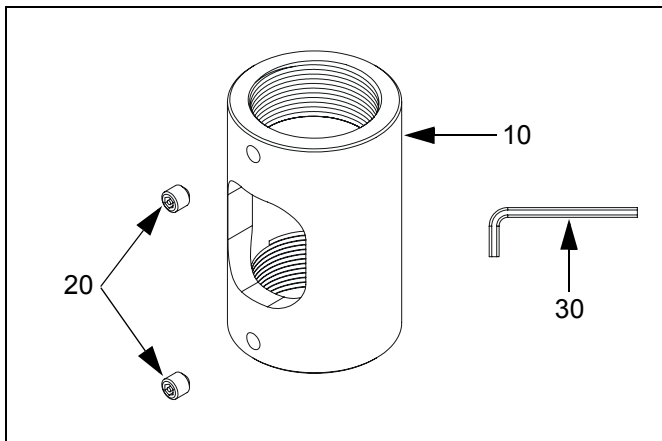


Figure 1: Parts

INSTALLATION

1. Screw adapter (10) onto upper 1-1/2" NPT threaded column by hand (See Figure 2).

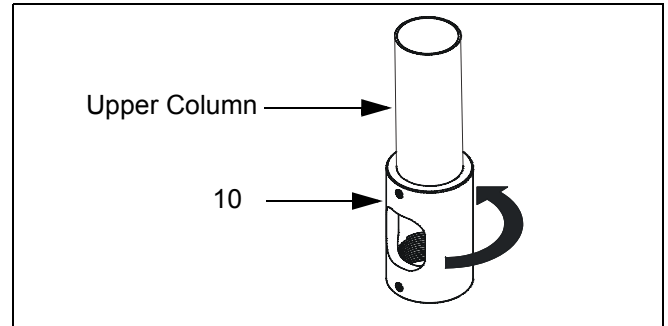


Figure 2: Install Adapter

2. Screw lower 1-1/2" NPT threaded column into adapter (10) by hand (See Figure 3). Tighten lower column securely using pipe wrench, orienting cable management access to desired location.

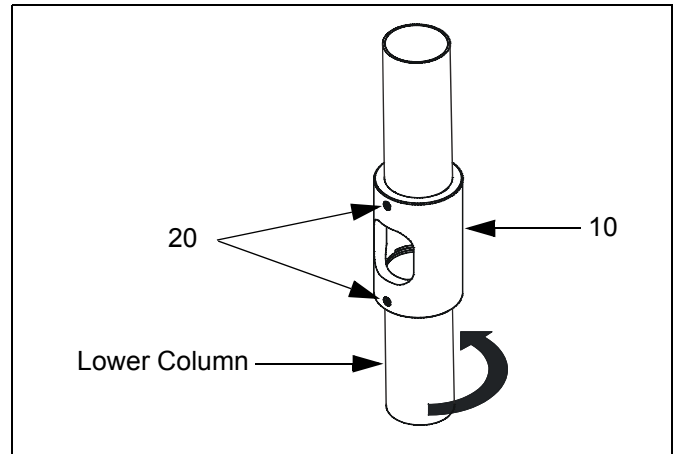


Figure 3: Install Lower Column

3. Using key (30), install and tighten both screws (20) securely.

