

Fridge-Freezer – KFNS 37432 iD



Design

Useable capacity

Controls

Refrigerator compartment

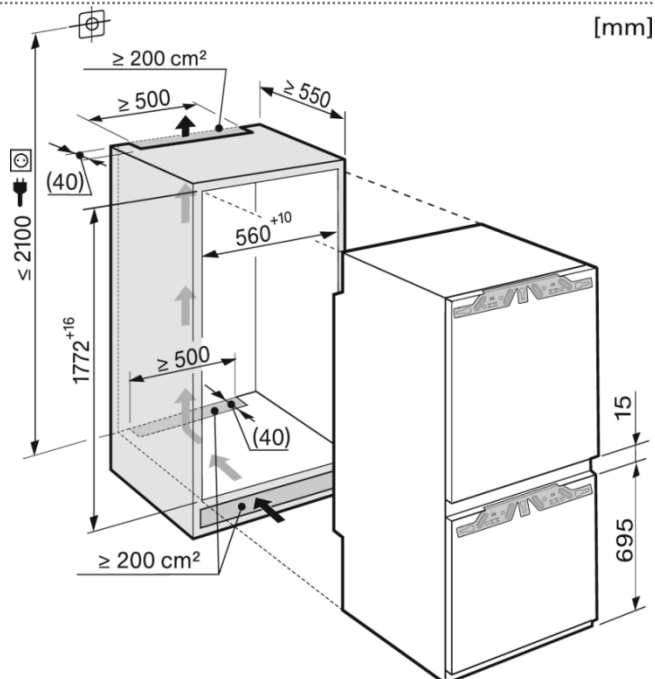
Freezer compartment

Safety

Energy efficiency

Sound emissions

- Fully integrated fridge-freezer
- SoftClose doors hinged right, convertible
- Side-by-Side combination enabled
- Refrigerator compartment: 198 l
- Freezer compartment: 63 l
- Total: 261 l
- Miele touch control with precise electronic temperature regulation
- Digital display with brilliant white text
- Sabbath mode
- FlexiLight LED on glass edge ensures optimum illumination
- Dynamic cooling
- Automatic defrosting
- Super Cool switch with indicator light
- 3 high quality glass shelves, all are height adjustable, 2 with FlexiLight
- 1 chrome-plated metal bottle rack
- 1 removable vegetable drawer
- 1 door rack for bottle
- Bold stainless steel trim on door racks
- Frost-free system
- Super Freeze switch with indicator light
- 3 removable freezer drawers
- Lock function
- Acoustic and visual door alarm
- Acoustic and visual temperature alarm
- Mains failure indicator
- HK energy efficiency rating:
2010 grading standard: Grade 1
2014 grading standard: Grade 1
- EU energy efficiency : A++
- 36 dB(A) re1pW



Appliances Dimensions

Height:	1770 mm
Width:	559 mm
Depth:	545 mm
Net weight:	67.0 kg

Built-in Dimensions

Height:	1772 – 1788 mm
Width:	560 – 570 mm
Depth:	min. 550 mm

Installation requirements

- 220-240 V
- Rated load 308 W
- Fuse rating 13 A
- With British 3-pin plug
- Length of cable: 2.1 m

A ventilation gap of at least 40 mm depth must be allowed for behind the appliance for air to circulate. The air inlet to the appliance is via the plinth in the housing unit. The cross-section of the air inlet and outlet must be at least 200 cm² to ensure that air can circulate without hindrance.