



Count on it.

2022 PERFORMANCE PARTS QUICK REFERENCE GUIDE

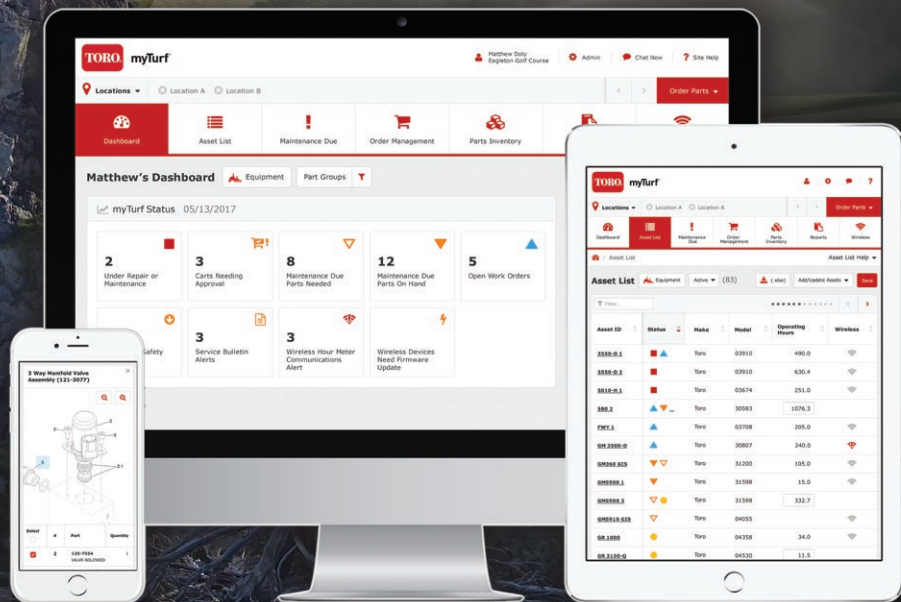


TORO

Count on it.

WHAT *myTurf® Pro Asset Management.*

MATTERS *Equipment connectivity.
Maintenance notifications. Parts ordering 24/7.*




MOST *Improving staff efficiency. Reducing overall maintenance costs. Enhancing your reputation.*

What Matters Most to You Matters Most to Us.

myTurf Pro is a powerful and easy-to-use, application that seamlessly connects your assets and your maintenance program, regardless of brand. Provide your team with the tools to become more efficient by automating routine tasks, easily ordering parts, managing maintenance assignments and tracking task completion. "At a glance" overviews keep you informed of asset status.

Connect. Manage. Maintain. Simplify.

Join the conversation
 **@ToroGolf**

Call: 800-803-8676
Visit: toro.com/myturfpro

WHAT'S NEW?

Within this catalog, you'll find the Genuine Toro® Parts and accessories you'll need to keep your Toro equipment operating at its full potential. Our expanded parts inventory offers:

- Competitive market pricing
- Quality & Reliability – meets the highest standards
- Expanded – Quick Reference Guide






NEW FOR 2022

- 400+ new part numbers (including hydraulic hoses and new tines)
- Now under 150 pages!
- Updated Featured Items
- New MVP Kits



FEATURED ITEMS

Turf Accessories

	Equipment	Description	Part No.
	REELMASTER® GREENSMaster®	BRUSH AND HANDLE ASM	29-9100
	REELMASTER® GREENSMaster®	GAUGE BAR ASM	108-6715
	REELMASTER® GREENSMaster®	PAPER – TORO REEL	125-5610
	REELMASTER® GREENSMaster®	PAPER - TORO REEL BOOKLET	125-5623
	VARIOUS	SERVICE AND PARTS MANUAL (USB DRIVE)	137-5215
	BEDKNIFE AND REEL	GRIND ANGLE INDICATOR	131-6828
	BEDKNIFE AND REEL	GRIND ANGLE INDICATOR MOUNT	131-6829
	REELMASTER 3105-D/5410-D/5510-D/5210	SEAL OIL	112-1690



Hydraulic Hoses

	Equipment	Description	Part No.
	GROUNDMASTER 4700-D	DECK NO 6 AND 7 HYDRAULIC ASM HOSE	104-5498
	GROUNDMASTER 4700-D	DECK NO 6 AND 7 HYDRAULIC ASM HOSE	104-5499
	REELMASTER 3100-D/3105-D	MOW CIRCUIT HYDRAULIC ASM HOSE	117-5142
	REELMASTER 3100-D	CENTER AND LIFT HYDRAULIC ASM HOSE	117-5147
	GREENSMASER 3300 TriFlex	LIFT CIRCUIT ASM HOSE	119-2053
	GREENSMASER 3300 TriFlex	LIFT CIRCUIT ASM HOSE	119-2066
	GREENSMASER 3300 TriFlex	LIFT CIRCUIT ASM HOSE	119-2052
	GREENSMASER 3300 TriFlex	LIFT CIRCUIT ASM HOSE	119-2050
	GREENSMASER 3300 TriFlex	LIFT CIRCUIT ASM HOSE	119-2051
	REELMASTER 5410-D/5510/5610/5610-D	NO 1, 4, AND 5 LIFT ARM HYDRAULIC ASM HOSE	92-5694
	REELMASTER 3550/3555/3575 GREENSMASER 3300"	HYDRAULIC LIFT ASM HOSE	119-2065

New Longer Window Tines

	Equipment	Description	Part No.
	PROCORE 440/660/648/864/880/1298	TITAN QUAD, 3/8" MOUNT (5.00" x .46", .32")	137-6526 (replaces 108-9109)
	PROCORE 440/660/648/864/880/1298	TITAN QUAD, 3/8" MOUNT (5.00" x .55", .41")	137-6527 (replaces 108-9110)
	PROCORE 440/660/648/864/880/1298	TITAN QUAD, 3/8" MOUNT (5.00" x .58", .48")	137-6529 (replaces 108-9294)
	PROCORE 440/660/648/864/880/1298	TITAN QUAD, 3/8" MOUNT (5.00" x .36", .25")	138-5937 (replaces 108-9108)
	GREENSMASER 3300"	HYDRAULIC LIFT ASM HOSE	119-2065



8	Lubricants	42	Bedknife Reference Chart	71	Belts
10	MVP Kits	44	Service Reel Reference Chart	76	Rollers
26	Filters	46	Tines	80	Nozzle Application Guide
38	Blade Reference Chart	58	Tires	84	Parts List
40	Blades	62	Bearings		

REELS+™ EDGESERIES REELS+™

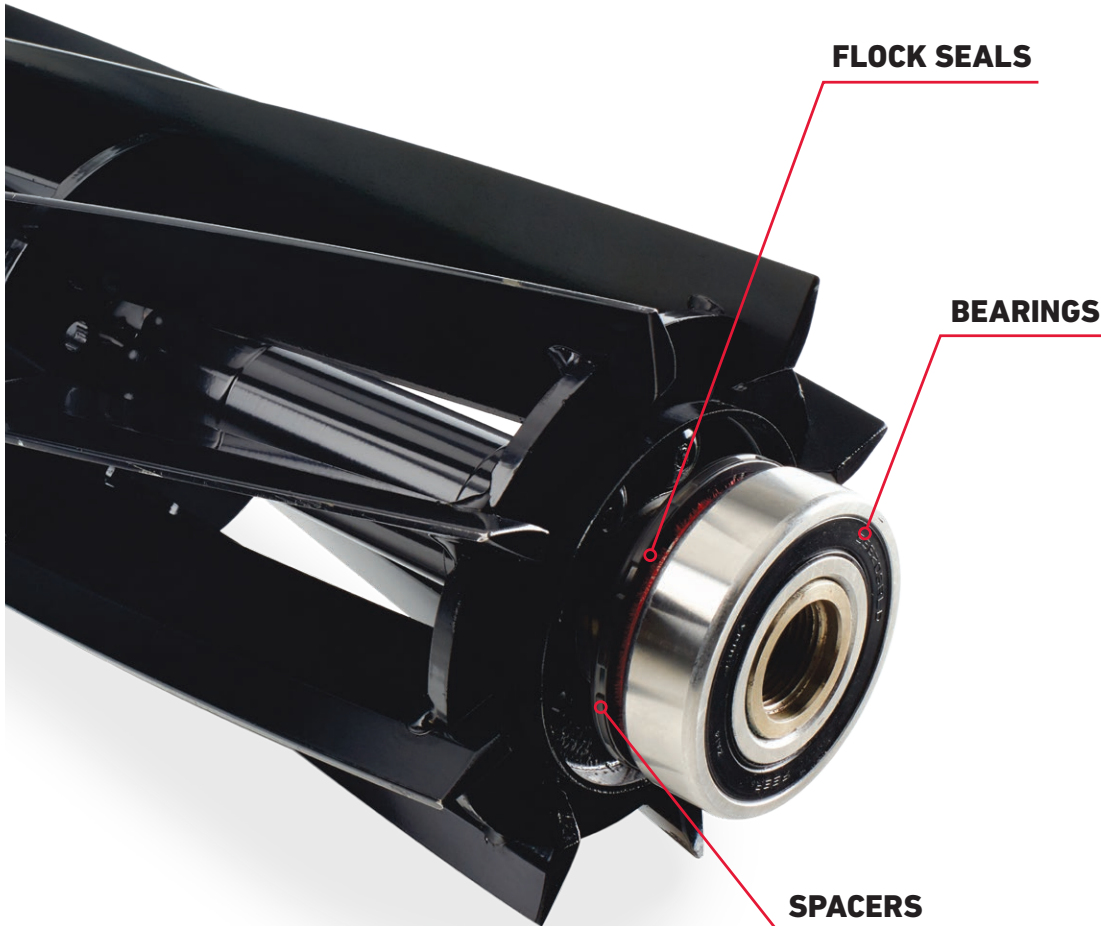
Save Time, Save Money

PLUS Everything you need for replacing your reels is included and pre-assembled

PLUS Parts professionally assembled at the factory

PLUS Uses all genuine Toro parts

PLUS Less time and labor for you, saving you money and resources



**CONTACT YOUR TORO
DISTRIBUTOR FOR DETAILS.**

Toro PX Hydraulic Fluid

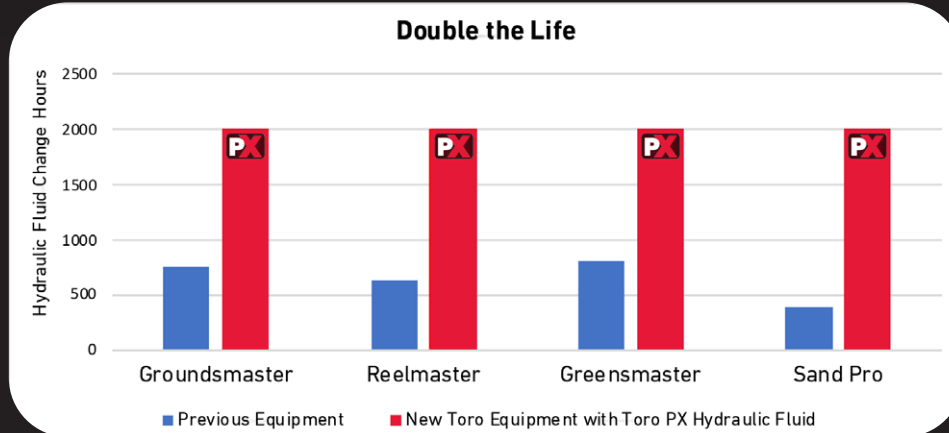
PREMIUM EXTENDED LIFE HYDRAULIC FLUID

Premium Extended Life Performance, Double the Life.

New extended life PX Hydraulic Fluid is another great innovation from Toro. This new premium hydraulic fluid performs better and lasts longer than conventional fluids. This means your equipment will run more smoothly and require fewer hydraulic fluid changes saving you time and money – up to 71%. Most 2019 and newer Toro commercial equipment come factory filled with Toro PX Hydraulic Fluid and have change intervals twice as long as previously...up to 2000 hours!

Features

- Exceptional Hydraulic Efficiency – extended life vs. standard fluids
- High Viscosity Index – maintains viscosity over wide temperature ranges
- Resistant to Oxidization – Anti-oxidants prevent sludge, varnish and thickening.



See the Toro equipment operator's guide for your equipment's specific maintenance interval. Not Compatible with hydraulic systems using tractor fluid.

Order Part Numbers: 133-8086 (5 gal. pail), 133-8087 (55 gal. drum)
(Drums available - continental U.S. only)

Call your Toro distributor at 800-803-8676

QUICK REFERENCE GUIDE

LUBRICANTS



Premium Extended Life

Toro PX Extended Life Hydraulic Fluid

133-8086 (5 Gal. Pail)

133-8087 (55 Gal. Drum)

- EXTENDED LIFE HYDRAULIC FLUID FOR SOME 2019 AND NEWER TORO COMMERCIAL EQUIPMENT
- SEE YOUR EQUIPMENT OPERATORS GUIDE FOR INDIVIDUAL MACHINE MAINTENANCE INTERVALS



Toro Premium All-Season Hydraulic Fluid

108-1178 (5 Gal. Pail)

108-1177 (55 Gal. Drum)

- DESIGNED TO MEET THE NEEDS OF TORO HYDRAULIC SYSTEMS
- SUSTAINED COMPONENT PROTECTION OVER WIDE TEMPERATURES AND ADDITIONAL ANTIWEAR PROTECTION
- EXTENDS FLUID LIFE UNDER HARSH OPERATING CONDITIONS



Toro Premium Synthetic Biodegradable Hydraulic Fluid

119-2157 (5 Gal. Pail)

- PROVIDES LONGER EQUIPMENT LIFE; WILL NOT REACT WITH STEEL OR COPPER ALLOYS
- WORKS WELL WITH SAME ELASTOMERS USED WITH CONVENTIONAL MINERAL OILS
- REDUCED DEPOSIT AND SLUDGE FORMATION



Toro Premium Transmission/Hydraulic Fluid

108-1184 (5 Gal. Pail)

108-1183 (55 Gal. Drum)

- STRONG ANTIWEAR AND EXTREME PRESSURE PROPERTIES
- MULTIPURPOSE CAPABILITY FOR HYDRAULICS, GEARS & CLUTCHES
- PROTECTS EQUIPMENT IN WET OR HUMID ENVIRONMENTS AND PREVENTS PREMATURE WEAR



Toro Premium ATF Automatic Transmission Fluid

108-1185 (55 Gal. Drum)

- PROVIDES EXCELLENT OXIDATION AND FRICTION STABILITY
- CONTAINS ANTIWEAR PROPERTIES AND LOW TEMPERATURE FLUIDITY
- SUPPORTS SMOOTH AND EFFICIENT TRANSMISSION



Toro All-Purpose Grease

108-1190 (14 oz.)

- REDUCES POTENTIAL FOR ENVIRONMENTAL DAMAGE
- EXCELLENT ANTIWEAR/EP PROPERTIES
- HIGH VISCOSITY INDEX AND LOW POUR POINT



Toro Synthetic Grease ISO 220

125-3511 (3 oz.)

- OUTSTANDING HIGH TEMPERATURE AND LOW TEMPERATURE PERFORMANCE
- EXCELLENT PROTECTION AGAINST WEAR, RUST AND CORROSION
- EXTENDED SERVICE LIFE WITH LONGER INTERVALS BETWEEN RELUBRICATION



Toro Fuel Treatment

131-6572 (12 oz.)

- KEEPS FUEL FRESH FOR UP TO 12+ MONTHS, PERFECT FOR SEASONAL EQUIPMENT
- KEEPS FUEL SYSTEMS CLEAN; CLEANS ENGINES FROM THE INSIDE
- PREVENTS CORROSION; COMPATIBLE WITH E10 FUEL



Toro Premium Engine Oil SAE 30

108-1197 (5 Gal. Pail)

108-1196 (55 Gal. Drum)

- APPROVED BY TORO ENGINEERING FOR USE IN TORO EQUIPMENT
- MONOGRADE FLUID DESIGNED TO ENDURE HIGH TEMPERATURES IN AIR COOLED ENGINES
- FORMULATED WITH UNIQUE ADDITIVES DESIGNED TO KEEP ENGINES CLEAN



Toro Premium Engine Oil 10W-30

121-6393 (5 Gal. Pail)

121-6392 (55 Gal. Drum)

- FORMULATED FOR GASOLINE AND DIESEL ENGINES
- MEETS OEM ENGINE MANUFACTURERS REQUIREMENTS FOR MODERATE CLIMATES
- BUILT-IN CORROSION PROTECTION



Toro Premium Engine Oil 15W-40

121-6395 (5 Gal. Pail)

121-6394 (55 Gal. Drum)

- FORMULATED FOR GASOLINE AND DIESEL ENGINES
- GREATER ENGINE EFFICIENCY, LONG ENGINE LIFE AND LONG OIL LIFE
- MAINTAINS VISCOSITY IN SEVERE, HIGH TEMPERATURE SERVICE FOR GREATER WEAR PROTECTION



Toro Premium All-Season Gear Lube 80W-90

108-1590 (Quart)

108-1187 (5 Gal. Pail)

- WIDE MULTIPURPOSE CAPABILITY
- REDUCED WEAR AND EASE OF START-UP AND COMPONENT LIFE
- EXCELLENT THERMAL STABILITY AND RESISTANCE TO HIGH TEMPERATURE OXIDATION



Toro Premium All-Season Gear Lube 85W-140

108-1591 (Quart)

- PROTECTION AGAINST LOW SPEED/HIGH TORQUE WEAR
- EFFECTIVE LOW TEMPERATURE LUBRICATION
- EXTENDED GEAR AND BEARING LIFE DUE TO MINIMAL DEPOSIT



Toro Premium Full Synthetic Gear & Bearing Oil

104-8772 (Quart)

- EXTENDS EQUIPMENT HIGH TEMPERATURE OPERATING CAPABILITY TO REDUCE MAINTENANCE COSTS
- REDUCES FRICTION AND INCREASES WEAR EFFICIENCY
- APPROVED BY TORO ENGINEERING FOR TORO EQUIPMENT

Toro Hydraulic Oil Dye

44-2500 (20 ml)

Toro Aerosol Terminal Protection

107-0392

Toro Dry Lube Graphite

120-4817

120-4818

MVP KITS





QUICK REFERENCE GUIDE

MVP KITS

Cutting Unit Overhaul Kits

Part No.	Description	Qty.
130-0105	GR Flex 18/21 (2004-2011) Reel Overhaul Kit	
20-9500	WASHER	1
107-3233	SEAL - OIL	4
108-3162	SPACER	1
107-3238	V-RING	2
13-3659	GR 300/3000 Style (1985-01) Cutting Unit Overhaul Kit	
237-77	O-RING	2
253-61	SEAL-OIL	1
253-96	SEAL-OIL	2
254-72	BEARING-CUP	2
254-94	BEARING-CONE	2
52-2890	BUSHING-NYLON	4
52-2900	WASHER-PLASTIC	2
119-4151	SCREW-SPECIAL	13
57-5280	BEARING - CUP & CONE	2
62-5510	BUSHING-RUBBER	2
63-9510	BUSHING	2
107-1590	GR 300/3000 Style (1985-01) Reel Overhaul Kit	
253-61	SEAL-OIL	1
253-96	SEAL-OIL	2
254-72	BEARING-CUP	2
254-94	BEARING-CONE	2
3296-60	NUT-LOCK	1
107-1598	GR 300/3000 Style (2002 & Up) Reel Overhaul Kit	
104-3388	SEAL-GREASE	2
253-61	SEAL-OIL	1
254-72	BEARING-CUP	2
254-94	BEARING-CONE	2
3296-60	NUT-LOCK	1
121-2637	DPA Adjusters MVP Kit GR Flex/eFlex 1800 & 2100/3000/3300/3400	
106-5363	SHAFT-ADJUSTER	2
106-5344	BUSHING-FLANGED, KEYED	4
119-4164	WASHER-WAVE	2
32120-93	RING-RETAINING	2
137-6130	SCREW-ADJUSTER, BEDBAR	2
119-4155	WASHER-HARDENED	2
119-4156	SPRING-COMPRESSION	2
119-4039	NUT-HEX, NI	2
99-2097	DETENT	2
119-4067	SCREW-HH	2
106-6392	Greensmaster Dethatching Reel Blade Pack	
106-6355	BLADE-11 TOOTH (CARBIDE)	108
13-3649	RM 216 & Grounds Pro 2000 Cutting Unit Overhaul Kit	
253-84	SEAL-OIL	1
257-6	BEARING-THRUST	2
52-2890	BUSHING-NYLON	2
56-9510	BUSHING ASM	2
56-9520	BUSHING-FLANGED	2
119-4151	SCREW-SPECIAL	10
62-5510	BUSHING-RUBBER	2
94-3405	BEARING-BALL	2

Cutting Unit Overhaul Kits - continued

Part No.	Description	Qty.
107-1590	RM 5100D/5200D/5300D/5400D (1990-01) Reel Overhaul Kit	
253-61	SEAL-OIL	1
253-96	SEAL-OIL	2
254-72	BEARING-CUP	2
254-94	BEARING-CONE	2
3296-60	NUT-LOCK	1
106-9605	RM 5500D/6500D/6700D SPA Bedbar Overhaul Kit	
106-7536	BEDBAR ADJUSTER ASSEMBLY	1
107-7409	PIN-PIVOT, BEDBAR	1
29-8910	WASHER	2
302-18	FITTING-GREASE	1
3230-2	BOLT-CARRIAGE	4
3256-74	WASHER-FLAT	4
3296-29	NUT-LOCK	4
3296-62	NUT-LOCK	1
52-2890	BUSHING-NYLINER	2
62-5510	BUSHING-RUBBER	2
93-2959	SPACER-ADJUSTER	1
93-7501	BUSHING ASSEMBLY	2
93-7502	BUSHING-FLANGED	2
95-0772	SPRING-COMPRESSION	1
95-8752	ARM-SPRING	1
13-3679	RM 335D/450D Cutting Unit Overhaul Kit	
256-113	BUSHING-FLANGE	2
256-252	BEARING-FLANGE	2
256-292	BUSHING-NYLINER	4
32151-71	RING-RETAINING	1
3257-3	KEY-WOODRUFF	1
48-8880	PIN-DOWEL	2
119-4151	SCREW-SPECIAL	10
59-6140	BEARING	2
62-6110	BUSHING ASM	4
76-3580	SPACER-BEDBAR	2
93-1414	SEAL-GREASE	3
95-4389	RM 4000-D Cutting Unit Overhaul Kit	
256-252	BEARING-FLANGE	2
256-292	BUSHING-NYLINER	4
32151-71	RING-RETAINING	1
48-8880	PIN-DOWEL	2
119-4151	SCREW-SPECIAL	10
59-6140	BEARING	2
62-6110	BUSHING ASM	4
75-7570	KEY	1
76-3580	SPACER-BEDBAR	2
92-9250	SEAL-GREASE	1
92-9251	SLEEVE-WEAR	1
92-9252	BUSHING-FLANGE	2
93-1414	SEAL-GREASE	2

Cutting Unit Overhaul Kits - continued

Part No.	Description	Qty.
13-3629	RM Gangmower Cutting Unit Overhaul Kit	
105-0150	SEAL-GREASE	2
106-5408	GASKET-COVER	2
106-5409	GASKET-GEAR CASE	2
237-21	O-RING	2
237-38	O-RING	2
253-117	SEAL-OIL	2
253-122	SEAL-OIL	2
253-84	SEAL-OIL	2
254-72	BEARING-CUP	2
254-78	BEARING-CONE	4
254-79	BEARING-CUP	4
254-94	BEARING-CONE	2
257-5	WASHER-THRUST	4
257-6	BEARING-THRUST	2
47-5640	SPACER-RUBBER	2
119-4151	SCREW-SPECIAL	11
68-7530	BUSHING	2
68-9970	GUARD-SEAL	2
84-8200	SEAL-OIL	2
120-7230	HD DPA MVP Kit RM 3100D/3550/3555 5010-H/5210/5410/5510/5610/6000D7000D	
120-5118	BEARING-FLANGE	2
120-5116	BUSHING-NYLINER	2
106-5344	RING-RETAINING	4
108-0015	PIN-DOWEL	2
3296-33	SCREW-SPECIAL	2
137-6130	BEARING	2
119-4155	BUSHING ASM	2
120-5120	KEY	2
119-4039	SPACER-BEDBAR	2

Seal Kits

Part No.	Description	Qty.
117-2727	Hydraulic Connector O-Rings Seal Kit	
237-21	9/16" ORFS	10
237-22	11/16" ORFS	10
237-30	13/16" ORFS	10
237-65	1" ORFS	10
237-58	1-3/16" ORFS	10
340-65	1-7/16" ORFS	10
237-156	5/16" SAE	10
237-78	7/16" SAE	10
237-42	9/16" SAE	10
237-79	3/4" SAE	10
237-80	7/8" SAE	10
237-81	1-1/16" SAE	10
237-146	1-5/16" SAE	10
93-4132	1/2" (HYD TRANS END CAP)	10
237-54	3/4" (HYD RELIEF CARTRIDGE)	10
237-38	1-3/4" (GR 500 CLUTCH & RM GANGMOWER GEAR CASE)	10
93-9783	2-7/8" (HYD MOTOR MOUNTING)	10
237-161	3-1/4" (TRANSMISSION MOUNTING)	10
353-949	3-1/4" (HYD MOTOR MOUNTING)	10
237-95	3-3/4" (HYD TRANS CHARGE PUMP)	10
237-158	4" (HYD MOTOR MOUNTING)	10

Seal Kits - continued

Part No.	Description	Qty.
108-3263	Multi Pro Open Boom Sprayer Seal Kit	
108-3266	SEAL KIT	1
108-3267	SEAL KIT	1
108-3268	SEAL KIT	1
106-6937	DPA Reel Seal Kit	
106-6927	SLEEVE	2
106-6926	SEAL	2
253-134	SEAL	2
106-6929	V-RING	2
104-0532	WASHER-PULLEY	1
136-1010	GM 3280 Seal Overhaul Rebuild Kit	
136-1021	LIP SEAL - SHAFT	1
136-1023	GASKET - END CAP	1
136-1031	O-RING	1
136-1032	O-RING	1
Not serviced separately	LIP SEAL - JOURNAL BEARING	1
Not serviced separately	O-RING, JOURNAL BEARING	2
Not serviced separately	O-RING, BYPASS VALVE	1
Not serviced separately	BACK UP RING	1
Not serviced separately	O-RING, BYPASS VALVE	1
Not serviced separately	O-RING, PLUG	2
Not serviced separately	O-RING, PLUG	1

QUICK REFERENCE GUIDE

MVP KITS

Bearing Kits

Part No.	Description	Qty.
121-9517	GR Flex 18/21 (2012 & Up) GR 3300/3400 (2011 & Up) Groomer Rebuild Kit	
107-8105	BEARING-BALL, EXTENDED RACE	3
106-8530	SEAL-GREASE	3
120-3237	O-RING	1
360-0398	O-RING	1
251-259	BEARING-BALL	2
104-4727	RING-RETAINING	1
104-4705	BELT-GROOMER	1
110-4086	RM 5210/5410/5510/5610 RM 6500D/6700D DPA Groomer & Rear Roller Brush Bearing Kit	
95-0707	BEARING-SELF ALIGNING	1
106-8530	SEAL-GREASE	3
108-4172	SEAL-EXCLUDER	1
108-2132	ProCore 648 Coring Head Bearing Kit (2004-2007)	
106-8871	BEARING-BALL	6
105-0965	BEARING-BALL	6
251-311	BEARING-BALL	24
106-8872	RING-RETAINING	6
131-4876	ProCore 648 Coring Head Bearing Kit (2008 & after)	
110-4556	BEARING-BALL	12
105-0965	BEARING-BALL	6
251-311	BEARING-BALL	24
32151-76	RING-RETAINING	6
110-4557	SPACER-BEARING	6

Cutting Unit Hydraulic Hose Kits

Part No.	Description	Qty.
117-0289	GM 4300-D Hydraulic Hose Kit	
117-0213	HYDRAULIC HOSE ASSEMBLY	1
117-0211	HYDRAULIC HOSE ASSEMBLY	1
117-0212	HYDRAULIC HOSE ASSEMBLY	1
117-0299	HYDRAULIC HOSE ASSEMBLY	4
104-9323	HOSE - HYDRAULIC	1
92-7638	HOSE ASSEMBLY	1
105-1215	HOSE - HYDRAULIC	4
108-6507	HOSE - HYDRAULIC	2
3334-945	TIE - CABLE	15
237-21	O-RING	10
237-65	O-RING	28
106-3662	HOSE - HYDRAULIC	4
98-0642	GR 3000/3050/3100 Cutting Unit Hydraulic Hose Kit	
95-5984	HYDRAULIC HOSE ASSEMBLY	1
95-5985	HYDRAULIC HOSE ASSEMBLY	1
95-5986	HYDRAULIC HOSE ASSEMBLY	1
95-5987	HYDRAULIC HOSE ASSEMBLY	1
95-5988	HYDRAULIC HOSE ASSEMBLY	1
95-5989	HYDRAULIC HOSE ASSEMBLY	1

Cutting Unit Hydraulic Hose Kits - continued

Part No.	Description	Qty.
140-5236	GR3150 Hydraulic Hose Kit (2006 & UP)	
139-6533	HOSE ASSEMBLY	1
139-6531	HOSE ASSEMBLY	1
105-5402	HYDRAULIC HOSE ASSEMBLY	1
139-6529	HOSE ASSEMBLY	2
139-6532	HOSE ASSEMBLY	1
106-9674	HYDRAULIC HOSE ASSEMBLY	1
105-5405	HYDRAULIC HOSE ASSEMBLY	1
139-6530	HOSE ASSEMBLY	1
237-30	O-RING	6
237-65	O-RING	6
237-21	O-RING	4
237-22	O-RING	2
140-5235**	GR3250-5 Hydraulic Hose Kit	
106-9674	HYDRAULIC HOSE ASSEMBLY	2
139-6529	HOSE ASSEMBLY	2
139-6530	HOSE ASSEMBLY	2
139-6528	HOSE ASSEMBLY	2
105-5405	HYDRAULIC HOSE ASSEMBLY	1
237-30	O-RING	12
237-21	O-RING	6
139-6529	HOSE - HYDRAULIC [ASM]	2
139-6530	HOSE - HYDRAULIC [ASM]	2
139-6528	HOSE ASM	2
140-5233	Gr Triflex Hydraulic Hose Rebuild	
139-6494	HYDRAULIC HOSE ASSEMBLY	1
139-6495	HYDRAULIC HOSE ASSEMBLY	1
139-6536	HOSE ASSEMBLY	1
139-6496	HYDRAULIC HOSE ASSEMBLY	1
139-6497	HYDRAULIC HOSE ASSEMBLY	1
139-6535	HOSE ASSEMBLY	1
139-6498	HYDRAULIC HOSE ASSEMBLY	1
139-6499	HYDRAULIC HOSE ASSEMBLY	1
139-6534	HOSE ASSEMBLY	1
237-30	O-RING	12
237-21	O-RING	3
237-22	O-RING	3
117-2724	RM 3100D SPA Cutting Unit 1999-2009 Hydraulic Hose Kit	
95-8836	HYDRAULIC HOSE ASSEMBLY	2
95-8835	HYDRAULIC HOSE ASSEMBLY	2
95-8837	HYDRAULIC HOSE ASSEMBLY	2
95-8826	HYDRAULIC HOSE ASSEMBLY	1
95-8827	HYDRAULIC HOSE ASSEMBLY	1
95-8828	HYDRAULIC HOSE ASSEMBLY	1
237-30	O-RING	8
237-65	O-RING	4
237-42	O-RING	2
237-21	O-RING	2
237-22	O-RING	2

Cutting Unit Hydraulic Hose Kits - continued

Part No.	Description	Qty.
117-2723	RM 4000D Cutting Unit Hydraulic Hose Kit	
98-7401	HYDRAULIC HOSE ASSEMBLY	1
60-3340	HYDRAULIC HOSE ASSEMBLY	1
98-7400	HYDRAULIC HOSE ASSEMBLY	1
98-7403	HYDRAULIC HOSE ASSEMBLY	4
58-5730	HYDRAULIC HOSE ASSEMBLY	1
98-7404	HYDRAULIC HOSE ASSEMBLY	2
237-22	O-RING	10
237-65	O-RING	18
104-9317	RM 5200D/5400D Cutting Unit Hydraulic Hose Kit	
100-3876	HYDRAULIC HOSE ASSEMBLY	1
100-3877	HYDRAULIC HOSE ASSEMBLY	1
100-3878	HYDRAULIC HOSE ASSEMBLY	1
100-3879	HYDRAULIC HOSE ASSEMBLY	1
104-0057	HYDRAULIC HOSE ASSEMBLY	1
104-0069	HYDRAULIC HOSE ASSEMBLY	1
104-9321	HYDRAULIC HOSE ASSEMBLY	1
104-9322	HYDRAULIC HOSE ASSEMBLY	1
104-9323	HYDRAULIC HOSE ASSEMBLY	1
98-4583	HYDRAULIC HOSE ASSEMBLY	2
98-4584	HYDRAULIC HOSE ASSEMBLY	1
98-4587	HYDRAULIC HOSE ASSEMBLY	1
3290-379	TIE-CABLE	10
99-5617	SLEEVE-PROTECTIVE	1
99-5648	SLEEVE-PROTECTIVE	4
237-30	SEAL - O-RING	20
237-21	SEAL - O-RING	10
117-2720	RM 5210/5410/5510/5610 Cutting Unit Hydraulic Hose Kit (2008-2009)	
106-3672	HYDRAULIC HOSE ASSEMBLY	4
98-4590	HYDRAULIC HOSE ASSEMBLY	2
114-8868	HYDRAULIC HOSE ASSEMBLY	4
106-3680	HYDRAULIC HOSE ASSEMBLY	2
104-3669	HYDRAULIC HOSE ASSEMBLY	1
106-3670	HYDRAULIC HOSE ASSEMBLY	1
106-3671	HYDRAULIC HOSE ASSEMBLY	1
3334-945	TIE-CABLE	15
237-30	O-RING (ORFS - 8)	20
237-21	O-RING (ORFS - 4)	10
119-6955	RM 5210/5410/5510/5610 (2010+) Cutting Unit Hydraulic Hose Kit	
114-0633	HYDRAULIC HOSE ASSEMBLY	5
98-4590	HYDRAULIC HOSE ASSEMBLY	2
117-5188	HYDRAULIC HOSE ASSEMBLY	4
106-3680	HYDRAULIC HOSE ASSEMBLY	2
117-5190	HYDRAULIC HOSE ASSEMBLY	1
106-3670	HYDRAULIC HOSE ASSEMBLY	1
3334-945	TIE-CABLE	15
237-30	O-RING (ORFS - 8)	10
237-21	O-RING (ORFS - 4)	10
237-65	O-RING (ORFS - 10)	10

Cutting Unit Hydraulic Hose Kits - continued

Part No.	Description	Qty.
104-9314	RM 5500D Reel Drive Hose Kit	
104-0069	HYDRAULIC HOSE ASSEMBLY	4
104-0057	HYDRAULIC HOSE ASSEMBLY	4
104-0068	HYDRAULIC HOSE ASSEMBLY	1
104-0067	HYDRAULIC HOSE ASSEMBLY	1
104-0064	HYDRAULIC HOSE ASSEMBLY	1
104-0058	HYDRAULIC HOSE ASSEMBLY	2
104-0063	HYDRAULIC HOSE ASSEMBLY	2
3290-379	TIE-CABLE	10
237-30	O-RING (ORFS - 8)	20
237-21	O-RING (ORFS - 4)	5
237-22	O-RING (ORFS - 6)	2
105-0139	RM 6500D/6700D (5 Units) Cutting Unit Hydraulic Hose Kit	
105-7901	HYDRAULIC HOSE ASSEMBLY	4
105-7902	HYDRAULIC HOSE ASSEMBLY	2
105-7903	HYDRAULIC HOSE ASSEMBLY	4
92-7559	HYDRAULIC HOSE ASSEMBLY	2
92-7560	HYDRAULIC HOSE ASSEMBLY	1
99-5614	HYDRAULIC HOSE ASSEMBLY	2
237-21	O-RING	10
237-30	O-RING	20
3253-4	WASHER-LOCK	6
3290-379	TIE-CABLE	10
33114-020	SCREW-HH	6
99-5617	SLEEVE-PROTECTIVE	5
99-5621	GUIDE-HOSE	3
105-0140	RM 6700D (2 Wing Units) Cutting Unit Hydraulic Hose Kit	
105-7900	HYDRAULIC HOSE ASSEMBLY	4
94-1433	HYDRAULIC HOSE ASSEMBLY	2
237-21	O-RING	4
237-30	O-RING	8
3253-4	WASHER-LOCK	4
3290-378	TIE-CABLE	4
33114-020	SCREW-HH	4
3334-945	TIE-CABLE	2
100-3814	SLEEVE-PROTECTIVE	2
99-5621	GUIDE-HOSE	2

QUICK REFERENCE GUIDE

MVP KITS

Roller Rebuild Kits

Part No.	Description	Qty.
107-1588	GR 800/1000/1600 Roller Rebuild Kit	
302-5	FITTING-GREASE	2
52-3180	BEARING-ROLLER	2
107-1589	GR 3/300/ Style Wiehle Roller Rebuild Kit	
302-57	FITTING-GREASE	2
52-3180	BEARING-ROLLER	2
107-1588	GR 3/300/3000 Style Roller Rebuild Kit	
302-5	FITTING-GREASE	2
52-3180	BEARING-ROLLER	2
107-1591	GR 3200 Style (1995-98) Roller Rebuild Kit	
93-2525	RING-RETAINING	2
93-2559	BEARING-BALL	2
302-5	FITTING-GREASE	2
107-1593	GR 3200 Style (1999-00) Roller Rebuild Kit	
302-5	FITTING-GREASE	2
32151-12	RING-RETAINING	2
85-7190	WASHER-SHIELD	2
85-9970	BEARING-BALL	2
107-1594	GR DPA (2004 & Up) Roller Rebuild Kit	
106-6941	SEAL	2
106-6942	V-RING	2
251-347	BEARING-BALL	2
107-8133	WASHER-FLAT	2
107-3505	SPACER-TOOL, ROLLER	2
104-6126	WASHER-FLAT	2
106-9627	GR DPA Rear Roller Brush Rebuild Kit	
106-9626**	SHAFT	1
105-6792	BRUSH-ROLLER	1
104-1830	BOLT-J	2
3296-2	NUT-LOCK	2
106-9607	Grounds Pro 2000 RM 216/2000/2300/2600/3100 Roller Rebuild Kit	
105-0150	SEAL-GREASE	2
253-152	SEAL-OIL	2
254-78	BEARING-CONE	2
254-79	BEARING-CUP	2
107-1592	RM 223D/5100D/5200D/5300D/ 5400D (1990-2000) Front Roller Rebuild Kit	
302-57	FITTING-GREASE	2
75-1290	BEARING-ROLLER	2
107-1593	RM 5100D/5200D/5300D/5400D (1993-2000) Rear Roller Rebuild Kit	
302-5	FITTING-GREASE	2
32151-12	RING-RETAINING	2
85-7190	WASHER-SHIELD	2
85-9970	BEARING-BALL	2
107-1592	RM 223D/5100D/5200D/5300D/ 5400D Dethatching Reel Roller Rebuild Kit	
302-57	FITTING-GREASE	2
75-1290	BEARING-ROLLER	2

Roller Rebuild Kits - continued

Part No.	Description	Qty.
106-9606	RM 5200D/5400D (01 & Up) RM 5210/5410/5510/5610 (06-07) Roller Rebuild Kit	
109966	BEARING-BALL	2
253-70	SEAL-OIL	2
32120-62	RING-RETAINING	2
93-1251	SEAL-INNER	2
93-1252	SEAL-OUTER	2
93-2931	WASHER-ROLLER	2
93-3007	SEAL-OIL	2
114-5430	RM 5010-H/5210/5410/5510/5610/6500D6700D (2008 & Up) Roller Rebuild Kit	
114-3717	SEAL-INNER	2
112-5290	BEARING-BALL	2
112-7494	SEAL-OUTER	4
114-5411	NUT - BEARING LOCK	2
106-9606	RM 5500D/6500D/6700D SPA RM 6500D/6700D DPA (2007) Roller Rebuild Kit	
109966	BEARING-BALL	2
253-70	SEAL-OIL	2
32120-62	RING-RETAINING	2
93-1251	SEAL-INNER	2
93-1252	SEAL-OUTER	2
93-2931	WASHER-ROLLER	2
93-3007	SEAL-OIL	2
106-9627	RM 5200D/5400D RM 5500D/6500D/6700D SPA Rear Roller Brush Rebuild Kit	
106-9626**	SHAFT	1
105-6792	BRUSH-ROLLER	1
104-1830	BOLT-J	2
3296-2	NUT-LOCK	2
107-1595	GM 3500D/4500D/4700D (2000-03) Roller Rebuild Kit	
251-347	BEARING-BALL	2
32120-15	RING-SNAP	2
99-3842	SEAL-OIL	2
106-9606	GM 3500D/3505D/4500D/4700D (2003-07) Roller Rebuild Kit	
109966	BEARING-BALL	2
253-70	SEAL-OIL	2
32120-62	RING-RETAINING	2
93-1251	SEAL-INNER	2
93-1252	SEAL-OUTER	2
93-2931	WASHER-ROLLER	2
93-3007	SEAL-OIL	2
114-5430	GM 3500D/3505D/4500D/4700D (2007 & Up) Roller Rebuild Kit	
114-3717	SEAL-INNER	2
112-5290	BEARING-BALL	2
112-7494	SEAL-OUTER	4
114-5411	NUT - BEARING LOCK	2

Groundsmaster® Deck Kits

Part No.	Description	Qty.
95-3078	GM 200 Series 52"/132 cm RD/SD Spindle Kit	
27-0870	SPINDLE ASSEMBLY	1
32128-21	NUT-HEX FLANGE	6
3231-22	SCREW-CARRIAGE	6
3256-24	WASHER-FLAT	6
72-9361	CUP-ANTI SCALP	1
92-5816	BOLT-BLADE	1

*Not illustrated. **Not sold separately. See pages 12-25 for kit contents. Prices subject to change without notice. Please see your Parts Catalog or Master Parts Viewer to ensure the correct part is ordered, as the part you need may not be listed above. toro.com/parts

Groundsmaster® Deck Kits - continued

Part No.	Description	Qty.
95-3079	GM 200 Series 62"/158 cm SD Spindle Kit	
44-6370	SPINDLE ASSEMBLY	1
32128-21	NUT-HEX FLANGE	6
3231-22	SCREW-CARRIAGE	6
3256-24	WASHER-FLAT	6
72-9361	CUP-ANTI SCALP	1
92-5816	BOLT-BLADE	1
95-3081	GM 200 Series 62"/158 cm Guardian Spindle Kit	
253-139	SEAL-OIL	2
27-0960	BEARING SET	1
302-2	FITTING-GREASE	1
32128-21	NUT-HEX FLANGE	6
3231-27	SCREW-CARRIAGE	6
3256-24	WASHER-FLAT	6
32146-20	NUT-LOCK	1
61-4160	HOUSING-SPINDLE	1
27-5970	SPACER-SPINDLE SHAFT	1
72-9361	CUP-ANTI SCALP	1
92-5604	SHAFT-SPINDLE	1
92-5606	SPACER-SPINDLE SHAFT	1
92-5607	PULLEY & HUB ASSEMBLY	1
92-5816	BOLT-BLADE	1
95-3089	GM 300 Series 72"/183 cm RD/SD Left Spindle Kit	
84-2030	SPINDLE ASSEMBLY	1
32128-21	NUT-HEX FLANGE	8
3234-1	SCREW-HEX FLANGE	6
3234-11	SCREW-HEX FLANGE	2
3256-24	WASHER-FLAT	8
95-3090	GM 300 Series 72"/183 cm RD/SD Center Spindle Kit	
84-2040	SPINDLE ASSEMBLY	1
32128-21	NUT-HEX FLANGE	8
3234-1	SCREW-HEX FLANGE	8
3256-24	WASHER-FLAT	8
138-6408	GM 300 Series 72"/183 cm RD/SD Right Spindle Kit	
84-2050	SPINDLE ASSEMBLY	1
32128-21	NUT-HEX FLANGE	8
3234-1	SCREW-HEX FLANGE	6
3234-11	SCREW-HEX FLANGE	2
3256-24	WASHER-FLAT	8
95-3091	GM 300 Series 72"/183 cm Guardian Spindle Kit	
17-5979**	SPINDLE ASSEMBLY	1
32128-21	NUT-HEX FLANGE	6
3231-27	SCREW-CARRIAGE	6
3256-24	WASHER-FLAT	6
72-9361	CUP-ANTI SCALP	1
138-1930	GM 3280D/3320 Side Discharge Spindle Kit	
104-3546	PULLEY-DRIVEN	1
108-1991	SPINDLE HOUSING ASSEMBLY	1
108-1956	SPINDLE SHAFT ASSEMBLY	1
104-3564	SEAL - V-RING	1
104-8322	WASHER-HARDENED	1
106-7159	O-RING	1
3296-60	NUT-LOCK	1
69-6950	SPACER-SPINDLE SHAFT	1

Groundsmaster Deck Kits - continued

Part No.	Description	Qty.
139-1039	GM 3280D/3320/4000D/4100D GM 360/3400/4010/7200/7210 RD/Guardian Spindle Kit	
104-3546	PULLEY-DRIVEN	1
119-4546	SPINDLE HOUSING ASSEMBLY	1
104-3554	SPINDLE SHAFT ASSEMBLY	1
104-3564	SEAL - V-RING	1
104-8322	WASHER-HARDENED	1
106-7159	O-RING	1
3296-60	NUT-LOCK	1
69-6950	SPACER-SPINDLE SHAFT	1
121-3666	GM3500D/3500G/3505D/4500D/4700D Spindle Kit	
100-5703	SPACER AND BEARING ASSEMBLY	1
136-3339	SPINDLE SHAFT ASSEMBLY	1
253-154	SEAL-OIL	2
69-6950	SPACER-SPINDLE SHAFT	1
100-5709	NUT-SPINDLE, SPECIAL	1
302-62	FITTING-GREASE	2
94-2703	PLUG	1
505-7	GREASE	2oz
69-8400	GM 580D, All Decks (1989-2001), Wing Deck (2002 & UP) Spindle Kit	
69-8390-03	PULLEY ASSEMBLY	1
138-6388	SPINDLE SHAFT ASSEMBLY	1
253-154	SEAL-OIL	2
3296-49	NUT-LOCK	1
108-1483	WASHER-THRUST	1
6590003	O-RING	1
69-1530	HOUSING-SPINDLE	1
69-6950	SPACER-SPINDLE SHAFT	1
71-2530	BEARING & SPACER SET	1
302-2	FITTING-GREASE	1
138-6465	GM 580D Center Deck (02 & Up) Center Spindle Kit	
106-0023	PULLEY-CENTER	1
138-6388	SPINDLE SHAFT ASSEMBLY	1
253-154	SEAL-OIL	2
3296-49	NUT-LOCK	1
108-1483	WASHER-THRUST	1
6590003	O-RING	1
69-1530	HOUSING-SPINDLE	1
69-6950	SPACER-SPINDLE SHAFT	1
71-2530	BEARING & SPACER SET	1
302-2	FITTING-GREASE	1
106-0006	GM 580D Center Deck (02 & Up) Outer Spindle Kit	
106-0022	PULLEY-OUTBOARD	1
138-6388	SPINDLE SHAFT ASSEMBLY	1
253-154	SEAL-OIL	2
3296-49	NUT-LOCK	1
108-1483	WASHER-THRUST	1
6590003	O-RING	1
69-1530	HOUSING-SPINDLE	1
69-6950	SPACER-SPINDLE SHAFT	1
71-2530	BEARING & SPACER SET	1
302-2	FITTING-GREASE	1
105-7269	GM 7200/7210 62"/158 cm Guardian 72"/183 cm Guardian Tall Grass Kit	
112-1480-01	PLATE - RIGHT	1
112-1482-01	PLATE - LEFT	1
104-8300	NUT-FLANGE	4
3230-2	BOLT-CARRIAGE	4

*Not illustrated. **Not sold separately. See pages 12-25 for kit contents. Prices subject to change without notice. Please see your Parts Catalog or Master Parts Viewer to ensure the correct part is ordered, as the part you need may not be listed above. toro.com/parts

QUICK REFERENCE GUIDE

MVP KITS

Groundsmaster® Blade & Belt Kits

Part No.	Description	Qty.
95-3070	GM 200 Series 52"/132 cm RD/SD Deck Blade & Belt Kit	
27-0990-03	BLADE - STANDARD 18"	3
27-1160	V-BELT	1
95-3071	GM 200 Series 62"/158 cm SD Deck Blade & Belt Kit	
44-6250-03	BLADE - STANDARD 21.75"	3
44-6260	V-BELT	1
95-3072	GM 200 Series 72"/183 cm SD Deck Blade & Belt Kit	
94-1861-03	BLADE - STANDARD 24.75"	3
57-0240	V-BELT	1
95-3087	GM 300 Series 72"/183 cm RD/SD Deck Blade & Belt Kit	
29-5530-03	BLADE - STANDARD 25"	3
21-0890	V-BELT	3
95-3094	GM 300 Series 72"/183 cm RD/SD Deck Blade & Belt Kit	
23-2410-03	BLADE - HIGH SAIL 25"	3
21-0890	V-BELT	3
95-3088	GM 300 Series 72"/183 cm Guardian Blade & Belt Kit	
85-6040-03	BLADE - STANDARD 25"	3
93-8457	V BELT-HEX	1
110-4770	GM 3280D/3320 60"/152 cm SD Blade & Belt Kit	
110-4701	BLADE - MEDIUM SAIL 20.5"	3
108-4391	BELT - HEX	1
110-4768	GM 3280D/3320 62"/158 cm RD/Guardian Blade & Belt Kit	
92-5608-03	BLADE - STANDARD 25"	3
107-4788	BELT-HEX	1
110-4771	GM 3280D/3320 72"/18 cm SD Blade & Belt Kit	
110-0621	BLADE - MEDIUM SAIL 24.5"	3
108-4393	BELT - HEX	1
110-4769	GM 3280D/3320 72"/18 cm RD/Guardian Blade & Belt Kit	
108-1958-03	BLADE - STANDARD 25"	3
107-4738	BELT-HEX	1
132-1440	GM 5900/5910 Blade & Belt Kit	
112-7376	BELT-V	1
112-7377	BELT-V	6
130-9151-03	BLADE - 20"	11
115-8898	GM 5900/5910 Center & Wing Decks Blade & Belt Kit	
110-5946-03	BLADE - STANDARD 20"	11
112-7376	BELT-V	1
112-7377	BELT-V	6
105-7270	GM 7200/7210 62"/157.5 cm Guardian Blade & Belt Kit	
92-5608-03	BLADE - STANDARD 25"	3
110-9594	BELT-V	1
110-9595	BELT-V	1

Groundsmaster Blade & Belt Kits - continued

Part No.	Description	Qty.
105-7271	GM 7200/7210 72"/182.9 cm Guardian Blade & Belt Kit	
108-1958-03	BLADE - STANDARd 25"	3
110-9592	BELT - V	1
110-9593	BELT - V	1
105-7272	GM 7200/7210 72"/182.9 cm SD Deck Blade & Belt Kit	
110-0621-03	BLADE - MEDIUM SAIL 24.5"	3
110-9590	BELT-V	1
110-9591	BELT-V	1

Groundsmaster® Caster Wheel Kits

Part No.	Description	Qty.
95-3077	GM 200 Series 52"/132 cm RD/SD (1989 & Up) 62"/158 cm SD (1989-98) 72"/183 cm SD (1989-97) Caster Wheel Kit	
68-8970	TIRE & BEARING ASSEMBLY	2
68-8980	SPANNER-TIRE	2
32153-5	NUT-LOCK	2
325-19	SCREW-HH	2
3256-6	WASHER-FLAT	4
68-8970	GM 200 Series 52"/132 cm RD/SD (1989 & Up) 62"/158 cm SD (1989-98) 72"/183 cm SD (1989-97) Caster Wheel	
68-9840	WHEEL & HUB ASSEMBLY	1
62-5580	BEARING - OUTSIDE	2
62-5570	BEARING ROLLER CAGE	1
95-3076	GM 200 Series 62"/158 cm Guardian Recycler Caster Wheel Kit	
85-5760	8" CASTER WHEEL ASSEMBLY	4
62-4340	SPANNER	4
32128-23	NUT-HEX FLANGE	4
325-22	SCREW-HH	4
3256-6	WASHER-FLAT	8
85-5760	GM 200 Series 62"/158 cm Guardian Recycler Caster Wheel	
85-5760	WHEEL & HUB ASSEMBLY	1
83-4740	BEARING ROLLER CAGE	1
62-5580	BEARING - OUTSIDE	2
302-40	FITTING - GREASE	1
95-3086	GM 300 Series 72"/183 cm RD/SD (1988 & Up) Caster Wheel Kit	
92-1655	CASTER WHEEL ASSEMBLY - FRONT	2
63-8400	CASTER WHEEL ASSEMBLY - REAR	2
62-4340	SPANNER - FRONT	2
63-1770	SPANNER - REAR	2
32128-23	NUT-HEX FLANGE	4
325-18	SCREW-HH	2
325-22	SCREW-HH	2
3256-6	WASHER-FLAT	8

Groundsmaster® Caster Wheel Kits - continued

Part No.	Description	Qty.
95-3082	GM 300 Series 72"/183 cm RD/SD (1983 & Up) Front Caster Wheel	
92-1655	WHEEL ASSEMBLY - FRONT	1
62-4340	SPANNER - FRONT	1
32128-23	NUT-HEX FLANGE	1
325-22	SCREW-HH	1
3256-6	WASHER-FLAT	2
95-3084	GM 300 Series 72"/183 cm RD/SD (1988 & Up) Rear Caster Wheel	
63-8400	CASTER WHEEL ASSEMBLY - REAR	1
63-1770	SPANNER - REAR	1
32128-23	NUT-HEX FLANGE	1
325-18	SCREW-HH	1
3256-6	WASHER-FLAT	2
95-3085	GM 300 Series 72"/183 cm Guardian Recycler Caster Wheel Kit	
92-1655	CASTER WHEEL ASSEMBLY - FRONT	2
85-5760	CASTER WHEEL ASSEMBLY - REAR	2
32128-23	NUT-HEX FLANGE	4
325-22	SCREW-HH	4
3256-6	WASHER-FLAT	8
62-4340	SPANNER	4
95-3083	GM 300 Series 72"/183 cm Guardian Recycler Rear Caster Wheel	
85-5760	CASTER WHEEL ASSEMBLY - REAR	1
62-4340	SPANNER	1
32128-23	NUT-HEX FLANGE	1
325-22	SCREW-HH	1
3256-6	WASHER-FLAT	2
95-3077	GM 3280D/3320 52"/132 cm SD Caster Wheel Kit	
68-8970	TIRE & BEARING ASSEMBLY	2
68-8980	SPANNER-TIRE	2
32153-5	NUT-LOCK	2
325-19	SCREW-HH	2
3256-6	WASHER-FLAT	2
68-8970	GM 3280D/3320 52"/132 cm SD Caster Wheel	
68-8970	TIRE & BEARING ASSEMBLY	1
110-4767	GM 3280D/3320 60"/152 cm SD 62"/158 cm RD/Guardian 72"/183 cm RD/SD/Guardian Caster Wheel	
93-9938	8" WHEEL ASSEMBLY	1
327-24	SCREW-HH	1
3296-53	NUT-LOCK	1

Groundsmaster Blade Packs

Part No.	Description	Qty.
108-1477	GM 200 Series GM 3280D/3320 52"/132 cm RD/SD Atomic Blade Pack	
104-1301	BLADE - ATOMIC 18"	6
106-0631	GM 200 Series GM 3280D/3320 62"/158 cm RD/SD Atomic Blade Pack	
104-1303	BLADE - ATOMIC 21.75"	6
108-1478	GM 200 Series 72"/183 cm RD/SD Atomic Blade Pack	
104-1304	BLADE - ATOMIC 24.75"	6

Groundsmaster Blade Packs - continued

Part No.	Description	Qty.
108-1454	GM 300 Series GM 3280D/3320 72"/183 cm RD/SD Atomic Blade Pack	
106-4353-03	BLADE - ATOMIC 25"	6
108-1452	GM 455D 126"/320 cm Quadfloat Atomic Blade Pack	
107-0216-03	BLADE - ATOMIC 19"	7
108-1453	GM 580D Center & Wing Decks Atomic Blade Pack	
107-0217-03	BLADE - ATOMIC 20"	11
140-0028	GM 1200 Atomic Blade Pack	
139-7799-03	BLADE - ATOMIC 19"	9
108-1462	GM 3500D/3505D 27"/69 cm RD Atomic Blade Pack	
107-0235-03	BLADE - ATOMIC 27"	6
117-2722	GM 4000D 132"/335 cm RD Standard Blade Pack	
92-5608-03	BLADE - STANDARD 21.75"	7
110-6130	GM 4000D 132"/335 cm RD Flat Sail Blade Pack	
110-6115-03	BLADE - FLAT SAIL 21.75"	7
108-1450	GM 4000D 132"/335 cm RD Atomic Blade Pack	
107-0214-03	BLADE - ATOMIC 21.75"	7
137-5500	GM 4000D 132"/335cm Medium Sail Blade Pack	
136-4370-03	BLADE - MEDIUM SAIL 21.75"	7
110-6140	GM 4100D 124"/315 cm RD Flat Sail Blade Pack	
110-6116-03	BLADE - FLAT SAIL 19"	7
108-1451	GM 4100D 124"/315 cm RD Atomic Blade Pack	
107-0215-03	BLADE - ATOMIC 19"	7
108-1463	GM 4500D 27"/69 cm RD Atomic Blade Pack	
107-0235-03	BLADE - ATOMIC 27"	5
108-0800	GM 4500D 27"/69 cm	
108-9026	BLADE - COMBINATION 27"	5
108-0800	GM3500D Combo Blade Pack	
108-9026	BLADE - COMBINATION 27"	5
108-1464	GM 4700D 27"/69 cm RD Atomic Blade Pack	
107-0235-03	BLADE - ATOMIC 27"	7
115-8896	GM 5900/5910 (2008-2016) Center & Wing Decks Standard Blade Pack	
110-5946-03	BLADE - STANDARD 20"	11
114-0897	GM 5900/5910 (2008-2016) Center & Wing Decks Atomic Blade Pack	
110-5948-03	BLADE - ATOMIC 20"	11
119-8020	GM360 Atomic Blade Pack	
110-0624-03	BLADE-ATOMIC 24.5"	3
119-8021	GM360 High Flow Blade Pack	
110-0622-03	BLADE-MEDIUM FLOW 24.5"	3

QUICK REFERENCE GUIDE

MVP KITS

Filter Kits

Part No.	Description	Qty.
31196**	Outcross® 9060 500 Hour MVP Filter Kit	
108-3814	AIR FILTER	1
125-2915	FUEL/WATER SEPARATOR	1
125-7025	FILTER ENGINE OIL	2
125-8752	FILTER FUEL/OIL	1
121-8457	FILTER-AIR	1
30065**	Greensmaster 500/800/1000/1600 & Flex 18/21 (2004-2011) Filter Kit	
93-8636	AIR FILTER	1
93-8637	AIR FILTER	1
93-8584	SPARK PLUG	1
30097**	Greensmaster 800/1000/1600 & Flex 18/21 (2012 & Up) Filter Kit	
121-0618	ELEMENT SET	1
121-0547	SPARK PLUG	1
30064**	Greensmaster 3150 (up to 2011) 400 Hour Filter Kit	
107-7817	OIL FILTER	5
107-9531	HYDRAULIC OIL FILTER	1
92-0527	AIR CLEANER CARTRIDGE	1
92-0530	FILTER ELEMENT	1
131-6262	Greensmaster 3120/3150Q (2012-2018) 800 Hour Filter Kit	
107-7817	FILTER - OIL, ENGINE	9
92-0527	AIR CLEANER CARTRIDGE	8
107-9531	HYDRAULIC OIL FILTER	2
94-2690	FUEL FILTER	1
108-6945	SPARK PLUG	2
131-8785	Greensmaster 3120/3150Q (2012-2018) 800 Hour Standard Filter Kit	
107-7817	OIL FILTER	8
92-0527	AIR CLEANER CARTRIDGE	8
107-9531	HYDRAULIC OIL FILTER	1
94-2690	FILTER - FUEL	1
108-6945	SPARK PLUG	2
44955**	Greensmaster 3120/3150 MVP 1,000 Hour Filter Kit (Units with PX Hyd Fluid) (2019 & Up)	
92-0527	CARTRIDGE AIR CLEANER	10
107-7817	ENGINE OIL FILTER	10
94-2690	FUEL FILTER	2
108-6945	SPARK PLUG	2
107-9531	HYD FILTER	1
121-2583	FILTER-FUEL, INLINE	1
30018**	Greensmaster 3250D (2003-2006) 400 Hour Filter Kit	
108-3842	ENGINE OIL FILTER	5
107-9531	HYDRAULIC OIL FILTER	1
108-3811	AIR FILTER	2
30062**	Greensmaster 3250D (2008-2011) 400 Hour Filter Kit	
108-3842	ENGINE OIL FILTER	3
107-9531	HYDRAULIC OIL FILTER	1
108-3811	AIR FILTER	2
112-9188	FILTER ELEMENT	1
30086**	Greensmaster 3250D (2012-2018) 500 Hour Filter Kit	
115-8189	ENGINE OIL FILTER (KUBOTA D902)	4
107-9531	HYDRAULIC OIL FILTER	1
108-3811	AIR FILTER	2
110-9049	FILTER - SPIN ON	1

Filter Kits - continued

Part No.	Description	Qty.
44968**	Greensmaster 3250-D MVP 1,000 Hour Filter Kit (units with PX Hyd Fluid) (2019 & Up)	
115-8189	ENGINE OIL FILTER	11
108-3811	AIR FILTER	5
110-9049	FUEL FILTER - SPIN ON	2
107-9531	OIL HYD FILTER	1
30042**	Greensmaster 3300/3320 400 Hour Filter Kit (Up to 2018)	
108-5194	HYDRAULIC OIL FILTER	1
107-7817	ENGINE OIL FILTER	5
44969**	Greensmaster 3300/3320 MVP 1,000 Hour Filter Kit (units with PX Hyd. Fluid) (2019 & Up)	
92-0527	CARTRIDGE AIR CLEANER	10
107-7817	ENGINE OIL FILTER	10
94-2690	FUEL FILTER	2
108-6945	SPARK PLUG	2
108-5194	FILTER OIL HYD.	1
30043**	Greensmaster 3400/3420 400 Hour Filter Kit (Up to 2018)	
108-3811	AIR FILTER	2
108-5194	HYDRAULIC OIL FILTER	1
115-8189	ENGINE OIL FILTER	3
44970**	Greensmaster 3400/3420 Tri-Flex MVP 1,000 Hour Filter Kit (units with PX Hyd Fluid) (2019 & Up)	
115-8189	ENGINE OIL FILTER	11
108-3811	AIR FILTER	5
110-9049	FUEL FILTER - SPIN ON	2
108-5194	FILTER OIL HYD.	1
44971**	Greensmaster 3360 e-TriFlex MVP 400 Hour Filter Kit (2019 & Up)	
119-5852	OIL FILTER	4
120-7448	AIR FILTER	2
30016**	Reelmaster 3100D (1999-2007) 400 Hour Filter Kit	
108-3841	ENGINE OIL FILTER	3
54-0110	HYDRAULIC OIL FILTER	3
108-3811	AIR FILTER	2
98-9764	FUEL/WATER SEPARATOR	1
108-3828	FUEL FILTER - IN-LINE	1
44963**	Reelmaster 3100D (2008 & Up) 400 Hour Filter Kit	
108-3841	ENGINE OIL FILTER	3
54-0110	HYDRAULIC OIL FILTER	2
108-3811	AIR FILTER	2
110-9049	FUEL/WATER SEPARATOR	1
30090**	Reelmaster 3550D/3555D/3575D 400 Hour Filter Kit (2016-2018)	
108-3841	ENGINE OIL FILTER	3
86-3010	TRANSMISSION OIL FILTER	3
108-3811	AIR FILTER	2
110-9049	FILTER-SPIN ON	1
110-9049	FUEL/WATER SEPARATOR	1

Filter Kits - continued

Part No.	Description	Qty.
30012**	Reelmaster 4000D (2002-2007) 400 Hour Filter Kit	
104-5169	ENGINE OIL FILTER	3
86-6110	HYDRAULIC OIL FILTER	1
108-3828	FUEL FILTER - IN-LINE	1
98-9764	FUEL/WATER SEPARATOR	1
108-3812	AIR FILTER - OUTER	1
108-3813	AIR FILTER - INNER	1
30061**	Reelmaster 4000D (2008 & Up) 400 Hour Filter Kit	
104-5169	ENGINE OIL FILTER	3
86-6110	HYDRAULIC OIL FILTER	1
98-9764	FUEL/WATER SEPARATOR	1
108-3812	AIR FILTER - OUTER	1
108-3813	AIR FILTER - INNER	1
30015**	Reelmaster 5200D/5400D 400 Hour Filter Kit	
108-3841	ENGINE OIL FILTER	3
110-4146	TRANSMISSION OIL FILTER	1
108-3828	FUEL FILTER - IN-LINE	1
108-3810	AIR FILTER	1
98-9764	FUEL/WATER SEPARATOR	1
30039**	Reelmaster 5210/5410/5510 (2006-2007) 400 Hour Filter Kit	
108-3841	ENGINE OIL FILTER	4
108-3828	FUEL FILTER - IN-LINE	1
108-3810	AIR FILTER	1
98-9764	FUEL/WATER SEPARATOR	1
30054**	Reelmaster 5210/5410/5510 pre Tier 4 (2008-2018) 400 Hour Filter Kit	
108-3841	ENGINE OIL FILTER	3
108-3810	AIR FILTER	1
110-9049	FUEL/WATER SEPARATOR	1
94-2621	HYDRAULIC OIL FILTER	1
86-3010	HYDRAULIC OIL FILTER	1
30247**	Reelmaster 5010-H 800 Hour Filter Kit (2015-2018)	
108-3841	ENGINE OIL FILTER	6
110-9049	FUEL/WATER SEPARATOR	2
86-3010	HYDRAULIC OIL FILTER	1
108-3810	AIR FILTER	1
44959**	Reelmaster 5010-H (non-Tier 4) MVP 1,000 Hour Filter Kit (units with PX Hyd Fluid) (2019 & Up)	
108-3810	AIR FILTER	2
108-3841	ENGINE OIL	7
94-2621	ELEMENT FILTER	1
86-3010	TRANSMISSION OIL FILTER	1
110-9049	FUEL FILTER	2
44966**	Reelmaster 5010-H (Tier 4) MVP 1,000 Hour Filter Kit (units with PX Hyd Fluid) (2019 & Up)	
108-3841	AIR FILTER	7
110-9049	FUEL FILTER SPIN ON	2
86-3010	TRANSMISSION OIL FILTER	1
108-3810	AIR FILTER	2

Filter Kits - continued

Part No.	Description	Qty.
30091**	Reelmaster 5410G/5510G 800 Hour MVP Filter Kit	
108-3810	AIR FILTER	1
108-3841	OIL FILTER	4
94-2621	FILTER ELEMENT	1
86-3010	TRANSMISSION OIL FILTER	1
30093**	Reelmaster 5410D/5510D Tier 4 Final 800 Hour MVP Filter Kit	
108-3810	AIR FILTER	1
125-7025	OIL FILTER	3
94-2621	FILTER ELEMENT	1
86-3010	TRANSMISSION OIL FILTER	1
125-2915	FILTER SPIN ON	2
125-8752	FUEL FILTER	2
44964**	Reelmaster 5410/5510 Groundsmaster 4300 MVP 1,000 Hour Filter Kit (Tier 4) (Units with PX Hyd Fluid) (2019 & Up)	
108-3810	AIR FILTER	2
125-7025	ENGINE OIL FILTER	7
94-2621	ELEMENT FILTER	1
86-3010	TRANSMISSION OIL FILTER	1
125-2915	FUEL FILTER WS	2
125-8752	FILTER FUEL/OIL	2
30038**	Reelmaster 5500D 400 Hour Filter Kit	
108-3841	ENGINE OIL FILTER	5
110-4146	TRANSMISSION OIL FILTER	1
94-2621	HYDRAULIC OIL FILTER	1
108-3810	AIR FILTER	1
98-9764	FUEL/WATER SEPARATOR	1
108-3828	FUEL FILTER - IN-LINE	1
30040**	Reelmaster 5610 (2006-2007) 400 Hour Filter Kit	
108-3841	ENGINE OIL FILTER	4
108-3828	FUEL FILTER - IN-LINE	1
108-3812	AIR FILTER	1
98-9764	FUEL/WATER SEPARATOR	1
30055**	Reelmaster 5610 (2008-2014) 400 Hour Filter Kit	
108-3841	ENGINE OIL FILTER	3
108-3812	AIR FILTER	1
110-9049	FUEL/WATER SEPARATOR	1
94-2621	HYDRAULIC OIL FILTER	1
86-3010	HYDRAULIC OIL FILTER	1
44960**	Reelmaster 5610 (non-tier 4) MVP 1,000 Hour Filter Kit (units with PX Hyd Fluid) (2019 & Up)	
108-3812	AIR FILTER	2
108-3841	ENGINE OIL FILTER	7
94-2621	ELEMENT FILTER	1
86-3010	FILTER OIL TRANSMISSION	1
110-9049	FUEL FILTER-SPIN ON	2

*Not illustrated. **Not sold separately. See pages 12-25 for kit contents. Prices subject to change without notice. Please see your Parts Catalog or Master Parts Viewer to ensure the correct part is ordered, as the part you need may not be listed above. toro.com/parts

QUICK REFERENCE GUIDE

MVP KITS

Filter Kits - continued

Part No.	Description	Qty.
30014**	Reelmaster 6500D/6700D (2003-2007) 400 Hour Filter Kit	
108-3841	ENGINE OIL FILTER	3
108-3828	FUEL FILTER - IN-LINE	1
98-9764	FUEL/WATER SEPARATOR	1
108-3812	AIR FILTER - OUTER	1
108-3813	AIR FILTER - INNER	1
94-2621	HYDRAULIC OIL FILTER	1
30057**	Reelmaster 6500D/6700D (2008 & Up) 400 Hour Filter Kit	
108-3841	ENGINE OIL FILTER	3
110-9049	FUEL/WATER SEPARATOR	1
108-3812	AIR FILTER - OUTER	1
108-3813	AIR FILTER - INNER	1
94-2621	HYDRAULIC OIL FILTER	1
30056**	Reelmaster 7000D 400 Hour Filter Kit (2008-2012)	
104-5169	ENGINE OIL FILTER	3
75-1310	HYD OIL FILTER - PUMP	1
94-2621	HYD OIL FILTER - MANIFOLD	1
110-9049	FUEL/WATER SEPARATOR	1
108-3814	AIR FILTER - OUTER	1
108-3816	AIR FILTER - INNER	1
30030**	Groundsmaster 223D 400 Hour Filter Kit	
108-3841	ENGINE OIL FILTER	5
23-2300	TRANSMISSION OIL FILTER	2
43-2550	FILTER - ELEC FUEL PUMP	1
63-8300	FUEL/WATER SEPARATOR	1
108-3833	AIR FILTER	2
30002**	Groundsmaster 225 400 Hour Filter Kit	
108-3842	ENGINE OIL FILTER	5
23-2300	TRANSMISSION OIL FILTER	3
108-3833	AIR FILTER	1
95-2926	FUEL FILTER	1
30001**	Groundsmaster 228D 400 Hour Filter Kit	
108-3841	ENGINE OIL FILTER	5
23-2300	TRANSMISSION OIL FILTER	3
98-9764	FUEL/WATER SEPARATOR	1
108-3828	FUEL FILTER - IN-LINE	1
108-3810	AIR FILTER	1
30023**	Groundsmaster 325D 400 Hour Filter Kit	
108-3841	ENGINE OIL FILTER	5
23-9740	TRANSMISSION OIL FILTER	3
43-2550	FILTER - ELEC FUEL PUMP	1
63-8300	FUEL/WATER SEPARATOR	1
108-3833	AIR FILTER	1
30022**	Groundsmaster 328D (2001-2007) 400 Hour Filter Kit	
108-3841	ENGINE OIL FILTER	3
23-9740	TRANSMISSION OIL FILTER	3
108-3828	FUEL FILTER - IN-LINE	1
98-9764	FUEL/WATER SEPARATOR	1
108-3810	AIR FILTER	1

Filter Kits - continued

Part No.	Description	Qty.
30059**	Groundsmaster 328D (2008 & Up) 400 Hour Filter Kit	
108-3841	ENGINE OIL FILTER	3
23-9740	TRANSMISSION OIL FILTER	3
112-7836	FUEL FILTER - IN-LINE	1
110-9049	FUEL/WATER SEPARATOR	1
108-3810	AIR FILTER	2
30021**	Groundsmaster 345 400 Hour Filter Kit	
108-3817	ENGINE OIL FILTER	5
23-9740	TRANSMISSION OIL FILTER	3
108-3831	FUEL FILTER	1
108-3833	AIR FILTER	1
30261**	Groundsmaster 360/7210 Tier 4 Final - Yanmar (2015 & Up) 400 Hour Filter Kit	
108-3810	FILTER - AIR	1
125-7025	FILTER	1
108-5194	FILTER - OIL, HYDRAULIC	1
125-2915	FILTER - SPIN ON	1
125-8752	FILTER - FUEL	1
30028**	Groundsmaster 455D 400 Hour Filter Kit	
108-3837	ENGINE OIL FILTER	5
86-3010	HYDRAULIC OIL FILTER	1
76-5220	FUEL FILTER	1
108-3812	AIR FILTER - OUTER	1
108-3813	AIR FILTER - INNER	1
30024**	Groundsmaster 580D (1989-2003) 400 Hour Filter Kit	
110-6166	ENGINE OIL FILTER	5
69-1720	HYDRAULIC OIL FILTER	2
69-1770	FUEL/WATER SEPARATOR	2
108-3815	AIR FILTER	1
30063**	Groundsmaster 580D (2004-2008) 400 Hour Filter Kit	
110-6166	ENGINE OIL FILTER	3
69-1720	HYDRAULIC OIL FILTER	2
60-5470	FUEL/WATER SEPARATOR	1
108-3815	AIR FILTER	2
30010**	Groundsmaster 3000D 400 Hour Filter Kit	
108-3837	ENGINE OIL FILTER	5
94-3951	HYDRAULIC OIL FILTER	2
76-5220	FUEL FILTER	1
108-3812	AIR FILTER	1
30034**	Groundsmaster 3280D (2005-2007) 400 Hour Filter Kit	
108-3841	ENGINE OIL FILTER	4
23-2300	TRANSMISSION OIL FILTER	4
98-9764	FUEL/WATER SEPARATOR	1
108-3828	FUEL FILTER - IN-LINE	1
108-3810	AIR FILTER	1
30051**	Groundsmaster 3280D (2008-2015) 400 Hour Filter Kit	
108-3841	ENGINE OIL FILTER	3
23-2300	TRANSMISSION OIL FILTER	2
110-9049	FUEL/WATER SEPARATOR	1
108-3810	AIR FILTER	1

Filter Kits - continued

Part No.	Description	Qty.
30262**	Groundsmaster 3280D (2016 & After) 400 Hour Filter Kit	
108-3841	ENGINE OIL FILTER	3
54-0110	TRANSMISSION OIL FILTER	2
110-9049	FUEL/WATER SEPARATOR	1
108-3810	AIR FILTER	1
30027**	Groundsmaster 3500D/3505D (2002-2007) 400 Hour Filter Kit	
108-3841	ENGINE OIL FILTER	3
86-3010	HYDRAULIC OIL FILTER	3
108-3828	FUEL FILTER - IN-LINE	1
98-9764	FUEL/WATER SEPARATOR	1
108-3810	AIR FILTER	2
30058**	Groundsmaster 3500D/3505D (2008 & Up) 400 Hour Filter Kit (Non-Tier 4)	
108-3841	ENGINE OIL FILTER	3
86-3010	HYDRAULIC OIL FILTER	3
110-9049	FUEL/WATER SEPARATOR	1
108-3810	AIR FILTER	2
30090**	Groundsmaster 3500D/3505D (Model 30807 & 30849) 400 Hour Filter Kit (2011-2018)	
108-3841	ENGINE OIL FILTER	3
86-3010	TRANSMISSION OIL FILTER	3
108-3811	AIR FILTER	2
110-9049	FILTER-SPIN ON	1
110-9049	FUEL/WATER SEPARATOR	1
44962**	Groundsmaster 35XX (non-Tier 4) MVP 1,000 Hour Filter Kit (units with PX Hyd Fluid) (2019 & Up)	
108-3810	AIR FILTER	5
108-3841	ENGINE OIL FILTER	7
86-3010	TRANSMISSION OIL FILTER	1
110-9049	FUEL FILTER	2
30246**	Groundsmaster 3500G (Model 30809) 400 Hour Filter MVP Kit	
108-3811	AIR FILTER	2
115-8189	ENGINE OIL FILTER	3
86-3010	HYDRAULIC OIL FILTER	3
121-3625	FUEL PUMP FILTER	1
30029**	Groundsmaster 4000D/41000D/4500D/4700D (2002-2008) 400 Hour Filter Kit	
104-5169	ENGINE OIL FILTER	3
75-1310	HYD OIL FILTER - PUMP	1
94-2621	HYD OIL FILTER - MANIFOLD	1
98-9764	FUEL/WATER SEPARATOR	1
108-3828	FUEL FILTER - IN-LINE	1
108-3814	AIR FILTER - OUTER	1
108-3816	AIR FILTER - INNER	1
30056**	Groundsmaster 4000D/41000D/4500D/4700D (2008-2012) 400 Hour Filter Kit	
104-5169	ENGINE OIL FILTER	3
75-1310	HYD OIL FILTER - PUMP	1
94-2621	HYD OIL FILTER - MANIFOLD	2
110-9049	FUEL/WATER SEPARATOR	1
108-3814	AIR FILTER - OUTER	1
108-3816	AIR FILTER - INNER	1

Filter Kits - continued

Part No.	Description	Qty.
30089**	Groundsmaster 4000D/4100D/4500D/4700D Tier 4i 800 Hour Filter MVP Kit Yanmar Engine	
125-7025	OIL FILTER	3
75-1310	HYDRAULIC OIL FILTER	1
94-2621	HYDRAULIC OIL FILTER	1
115-9793	BREATHER	1
108-3814	AIR FILTER	1
108-3816	AIR FILTER	1
110-9049	FILTER SPIN ON	2
110-4812	FUEL FILTER	1
30408**	Groundsmaster 4000D/4100D/4500D/4700D/RM7000D Tier 4 Final (2013-2018) 800 Hour Filter MVP Kit	
125-7025	OIL FILTER	3
75-1310	HYDRAULIC OIL FILTER	1
94-2621	HYDRAULIC OIL FILTER	1
115-9793	BREATHER	1
108-3814	AIR FILTER	1
108-3816	AIR FILTER	1
125-2915	FILTER SPIN ON	2
125-8752	FUEL FILTER	2
110-4812	AXLE VENT ASM	1
110-4815	INSERT FILTER ASM	1
44967**	Groundsmaster 4000/4100 MVP 1,000 Hour Filter Kit (units with PX Hyd Fluid) (2019 & Up)	
125-7025	ENGINE OIL FILTER	2
75-1310	HYD FILTER	1
94-2621	ELEMENT	1
115-9793	BREATHER	1
125-2915	FUEL FILTER WATER SEPARATOR	2
125-8752	FUEL FILTER	2
108-3814	AIR FILTER	2
108-3816	AIR FILTER	2
30055**	Groundsmaster 4300 400 Hour Filter Kit (2010-2018) (Kubota) (Tier 4i)	
108-3841	ENGINE OIL FILTER	3
108-3812	AIR FILTER	1
110-9049	FUEL/WATER SEPARATOR	1
94-2621	HYDRAULIC OIL FILTER	1
86-3010	HYDRAULIC OIL FILTER	1
30093**	Groundsmaster 4300D 800 Hour MVP Filter Kit (2014-2018) (Tier 4) (Yanmar)	
108-3810	AIR FILTER	1
125-7025	OIL FILTER	3
94-2621	FILTER ELEMENT	1
86-3010	TRANSMISSION OIL FILTER	1
125-2915	FILTER SPIN ON	2
125-8752	FUEL FILTER	2
44964**	Groundsmaster 4300 MVP 1,000 Hour Filter Kit (Tier 4) (Units with PX Hyd Fluid) (2019 & Up)	
108-3810	AIR FILTER	2
125-7025	ENGINE OIL FILTER	7
94-2621	ELEMENT FILTER	1
86-3010	TRANSMISSION OIL FILTER	1
125-2915	FUEL FILTER WS	2
125-8752	FUEL FILTER/OIL	2

*Not illustrated. **Not sold separately. See pages 12-25 for kit contents. Prices subject to change without notice. Please see your Parts Catalog or Master Parts Viewer to ensure the correct part is ordered, as the part you need may not be listed above. toro.com/parts

QUICK REFERENCE GUIDE

MVP KITS

Filter Kits - continued

Part No.	Description	Qty.
30041**	Groundsmaster 5900/5910 400 Hour Filter Kit (up to 2018) non-Tier 4	
130-8860	ENGINE OIL FILTER	2
86-6110	HYD OIL FILTER - MAIN	1
75-1310	HYD OIL FILTER - PTO	1
115-5471	FUEL/WATER SEPARATOR	1
117-2792	FUEL FILTER - AT ENGINE	1
31609**	Groundsmaster 5900/5910 Tier 4 Final 400 Hour Filter Kit (Up to 2018)	
125-7025	OIL FILTER	2
75-1310	HYD OIL FILTER - PTO	1
86-6110	HYD OIL FILTER - MAIN	1
125-2915	FILTER SPIN ON	1
125-8752	FUEL FILTER	1
44958**	Groundsmaster 5900/5910 MVP 1,000 Filter Kit (units with PX Hyd Fluid) (2019 & Up)	
125-7025	OIL FILTER	2
75-1310	HYD. FILTER	1
86-6110	HYD. FILTER	1
125-2915	FUEL FILTER WATER SEPARATOR	2
125-8752	FUEL FILTER	2
108-3815	AIR FILTER	2
130-9070	ELEMENT SAFETY	2
30037**	Groundsmaster 7200/7210 (2007-2013) 400 Hour Filter Kit	
108-3841	ENGINE OIL FILTER	3
108-5194	TRANSMISSION OIL FILTER	2
98-9764	FUEL/WATER SEPARATOR	1
108-3810	AIR FILTER	1
108-3828	FUEL FILTER - IN-LINE	1
30052**	Groundsmaster 7200/7210 (2008 & Up) 400 Hour Filter Kit - Kubota	
108-3841	ENGINE OIL FILTER	3
108-5194	TRANSMISSION OIL FILTER	1
110-9049	FUEL/WATER SEPARATOR	1
108-3810	AIR FILTER	1
30008**	Hydroject 3000 Aerator 400 Hour Maintenance Kit	
108-3817	ENGINE OIL FILTER	5
67-8110	TRANSMISSION OIL FILTER	3
71-5960	FUEL FILTER	2
82-0660	AIR FILTER - ELEMENT	2
57-9340	SPARK PLUG	2
30005**	Workman 1100/1110/MD 400 Hour Filter Kit	
108-3811	AIR FILTER	2
30004**	Workman 2100/2110/MDX 400 Hour Filter Kit	
107-7817	ENGINE OIL FILTER	4
108-3811	AIR FILTER	2
30017**	Workman 3200/4200 (2002 & Up) 400 Hour Maintenance Kit	
108-3842	ENGINE OIL FILTER	5
108-3811	AIR FILTER	2
105-8045	FUEL FILTER	1
108-6945	SPARK PLUG	3

Filter Kits - continued

Part No.	Description	Qty.
30006**	Workman 3300D/4300D (2002 & Up) 400 Hour Filter Kit	
108-3842	ENGINE OIL FILTER	5
108-3811	AIR FILTER	1
54-0110	TRANSMISSION OIL FILTER	1
63-8300	FUEL/WATER SEPARATOR	1
30035**	Sand/Infield Pro 3040/5040 400 Hour Filter Kit (Up to 2018)	
107-7817	ENGINE OIL FILTER	9
54-0110	HYDRAULIC OIL FILTER	2
108-3811	AIR FILTER	2
44957**	Sand/Infield Pro 3040/5040 MVP 1,000 Hour Filter Kit (units with PX Hyd Fluid) (2019 & Up)	
107-7817	ENGINE OIL FILTER	10
108-3811	AIR FILTER	5
94-2690	FUEL FILTER	2
115-7854	FUEL FILTER INLINE	2
54-0110	HYD. TRANS FILTER	1
08725	SandPro 2040Z 400 Hour Filter Kit	
114-3494	FILTER ELEMENT	2
127-0381	INNER FILTER KIT	4
119-5852	OIL FILTER	5
108-3811	AIR FILTER	2
115-7854	IN-LINE FUEL FILTER	2
92-2153	SPARK PLUG	2
131-3751	1200/1250/1750 MVP Kit Filter/Screen Suction	
120-0796	PUMP KIT	1
100-8642	SUCTION SCREEN	1
131-0209	PRESSURE SCREEN	1
130-7304	VALVE KIT	6
30073**	Workman HDX Series (2012 & Older) - 400 Hour Maintenance Kit	
108-3811	AIR FILTER	2
108-3842	OIL FILTER	3
115-7854	FUEL FILTER - INLINE (5/16)	2
54-0110	TRANSMISSION OIL FILTER	1
115-7818	FUEL FILTER ASM	1
30068**	Workman HDX-D Series (2012 & Older) - 400 Hour Maintenance Kit	
108-3811	AIR FILTER	2
108-3842	OIL FILTER	3
110-9049	FUEL/WATER SEPARATOR	1
54-0110	TRANSMISSION OIL FILTER	1
30248**	Workman HDX Series (2013 & Up) - 400 Hour Maintenance Kit	
108-3810	AIR FILTER	2
115-8189	FILTER-OIL, ENGINE	3
115-7818	FUEL FILTER ASM	1
54-0110	FILTER-OIL,TRANSMISSION	1
125-9139	SPARK PLUG	3
110-3796	V-BELT	1
30249**	Workman HDX-D Series (2013 & Up) - 400 Hour Maintenance Kit	
108-3810	AIR FILTER	2
115-8189	FILTER-OIL, ENGINE	3
110-9049	FILTER-SPIN ON	1
54-0110	FILTER-OIL,TRANSMISSION	1
110-3796	V-BELT	1

Filter Kits - continued

Part No.	Description	Qty.
131-8276	Workman HDX-Auto (2014 & Up) - 400 Hour Maintenance Kit	
108-3811	AIR FILTER	4
108-3847	OIL FILTER	3
115-7818	FUEL FILTER ASM	1
54-0110	FILTER-OIL, TRANSMISSION	1
136-1100	SPARK PLUG	2
136-6280	Workman GTX - 400 Hour Maintenance Kit	
108-3811	AIR FILTER	4
56-6360	FUEL FILTER	1
130-8380	SPARK PLUG	1
131-8588	FILTER-FUEL (75 MICRON GR)	
140-2443	FILTER-FUEL	

Touch-Up Paint

Part No.	Description	Qty.
361-1	TORO Red (Prior to 1990) 12 oz Spray Can Touch-Up Paint	A/R
361-10	TORO Red (1990 & Up) 12 oz Spray Can Touch-Up Paint	A/R
112-0178	TORO Red (1990 & Up) 0.6 oz Brush-in-Cap Touch-Up Paint	A/R
112-0177	TORO Red (1990 & Up) 0.3 oz Paint Marker Touch-Up Paint	A/R
112-0176	TORO Black 0.6 oz Brush-in-Cap Touch-Up Paint	A/R

QUICK REFERENCE GUIDE

FILTERS

Greensmaster[®] - Walkers

Equipment	Description	Part No.
Greensmaster 500/800/1000/1600/2600	Maintenance Kit (2004 - 2011)	30065**
	Maintenance Kit (2012 & Up)	30097**
	AIR FILTER ELEMENT - MAIN	93-8636
	AIR FILTER ELEMENT - WRAPPER	93-8637
	GAS FUEL FILTER SCREEN (GR 1000 1995-MID 1996 & UP ONLY)	93-8684
	GAS FUEL FILTER SCREEN	94-6826
Greensmaster Flex 18/1800/1820 Flex 21/2100/2120	Maintenance Kit (2004 - 2011)	30065**
	Maintenance Kit (2012 & Up)	30097**
	AIR FILTER ELEMENT - MAIN	93-8636
	AIR FILTER ELEMENT - WRAPPER	93-8637
	GAS FUEL FILTER SCREEN	94-6826

Greensmaster[®] - Riders

Equipment	Description	Part No.
Greensmaster 300	ENGINE OIL FILTER BREATHER ELEMENT	235118
	AIR FILTER ELEMENT	235116
	IN-LINE FUEL FILTER	108-3831
	HYDRAULIC OIL FILTER ELEMENT	74-3570
	AIR FILTER ELEMENT	92-0530
Greensmaster 3000	ENGINE OIL FILTER BREATHER ELEMENT	235118
	AIR FILTER ELEMENT - MAIN	4508302
	AIR FILTER ELEMENT - WRAPPER	4508301
	IN-LINE FUEL FILTER	108-3831
	HYDRAULIC OIL FILTER ELEMENT	74-3570
	AIR FILTER ELEMENT	92-0530
Greensmaster 3000D	ENGINE OIL FILTER	108-3841
	AIR FILTER ELEMENT	108-3833
	FUEL FILTER DIESEL - ELECTRIC FUEL PUMP	43-2550
	FUEL FILTER ELEMENT - DIESEL	63-8300
	HYDRAULIC OIL FILTER	74-3570
Greensmaster 3050 3100	ENGINE OIL FILTER	107-7817
	AIR FILTER ELEMENT - MAIN	92-0527
	IN-LINE FUEL FILTER	94-2690
	HYDRAULIC OIL FILTER	74-3570
Greensmaster 3150	400 Hour Filter Kit (Up to 2011)	30064**
	800 Hour Filter Kit (2013-2018)	131-6262
	MVP Kit 1000 Hour (2019 & Up)	44955**
	ENGINE OIL FILTER	107-7817
	AIR FILTER ELEMENT - MAIN	92-0527
	IN-LINE FUEL FILTER	94-2690
	HYDRAULIC OIL FILTER	107-9531
Greensmaster 3200	ENGINE OIL FILTER	491056
	AIR FILTER ELEMENT	108-3811
	IN-LINE FUEL FILTER (1995-96)	94-2690
	IN-LINE FUEL FILTER (1997-98)	108-3854
	HYDRAULIC OIL FILTER ELEMENT	75-1310
Greensmaster 3200D	ENGINE OIL FILTER	85-4930
	AIR FILTER ELEMENT	108-3811
	DIESEL FUEL FILTER	130366040
	HYDRAULIC OIL FILTER ELEMENT	75-1310
Greensmaster 3250D	400 Hour Filter Kit (2003-2006)	30018**
	400 Hour Filter Kit (2007-2011)	30062**
	500 Hour Filter Kit (2012-2018)	30086**
	MVP Kit 1000 Hour (2019 & Up)	44968**
	ENGINE OIL FILTER (2007-2011)	108-3842
	ENGINE OIL FILTER	115-8189
	AIR FILTER ELEMENT	108-3811
	AIR FILTER SAFETY	98-2982
	DIESEL FUEL FILTER ELEMENT (2000-06)	100-3192
	BIO-DIESEL FUEL FILTER ELEMENT (2007-2011)	112-9188
	FILTER - SPIN ON	110-9049
	HYDRAULIC OIL FILTER ELEMENT (2000-02)	75-1310
	HYDRAULIC OIL FILTER ELEMENT (2003 & UP)	107-9531

Greensmaster[®] - Riders - continued

Equipment	Description	Part No.
Greensmaster	400 Hour Filter Kit	30042**
3300	MVP Kit 1000 Hour (2019 & Up)	44969**
3320	IN-LINE FUEL FILTER	115-7854
	IN-LINE FUEL FILTER	94-2690
	HYDRAULIC OIL FILTER	108-5194
Greensmaster	MVP Kit 400 Hour (2019 & Up)	44971**
3360 (e-TriFlex)	FILTER - FUEL INLINE	115-7854
	FILTER - ELEMENT AIR	120-7448
Greensmaster	400 Hour Filter Kit	30043**
3400	MVP Kit 1000 Hour (2019 & Up)	44970**
3420	ENGINE OIL FILTER	115-8189
	AIR FILTER	108-3811
	DIESEL FUEL FILTER (2008 & UP)	110-9049
	HYDRAULIC OIL FILTER ELEMENT	108-5194

Reelmaster[®]

Equipment	Description	Part No.
Reelmaster	ENGINE OIL FILTER BREATHER ELEMENT	235118
216	AIR FILTER ELEMENT - MAIN	4508302
	AIR FILTER ELEMENT - WRAPPER	4508301
	GAS IN-LINE FUEL FILTER	108-3854
	HYDRAULIC OIL FILTER	54-0110
Reelmaster	ENGINE OIL FILTER	85-4930
216D	AIR FILTER ELEMENT	108-3808
	DIESEL FUEL FILTER ELEMENT	130336040
	HYDRAULIC OIL FILTER	54-0110
Grounds Pro	ENGINE OIL FILTER	107-7817
2000	AIR FILTER ELEMENT - MAIN	92-0527
	AIR FILTER ELEMENT - WRAPPER	2724905
	IN-LINE FUEL FILTER	108-3854
	HYDRAULIC OIL FILTER ELEMENT	54-0110
Grounds Pro	ENGINE OIL FILTER	108-3842
2000D	AIR FILTER ELEMENT	108-3811
	DIESEL FUEL FILTER ELEMENT SEPARATOR	63-8300
	HYDRAULIC OIL FILTER	54-0110
Reelmaster	ENGINE OIL FILTER	108-3842
2000D	AIR FILTER ELEMENT (2005 & UP)	108-3811
	DIESEL FUEL FILTER ELEMENT SEPARATOR	63-8300
	HYDRAULIC OIL FILTER ELEMENT	54-0110
Reelmaster	ENGINE OIL FILTER	85-4930
2300D	AIR FILTER ELEMENT	108-3811
2600D	DIESEL FUEL FILTER ELEMENT	130336040
	HYDRAULIC OIL FILTER ELEMENT	54-0110
Reelmaster	400 Hour Filter Kit (1999-2007)	30016**
3100	400 Hour Filter Kit (2008 & Up)	44963**
	ENGINE OIL FILTER	108-3841
	ENGINE OIL FILTER BREATHER ELEMENT	98-9493
	AIR FILTER ELEMENT (2005 & UP)	108-3811
	IN-LINE PLASTIC DIESEL FUEL FILTER (1999-07 & 2010)	98-7612
	IN-LINE METAL DIESEL FUEL FILTER (1999-07)	108-3828
	DIESEL FUEL FILTER ELEMENT (1999-07)	98-9764
	DIESEL FUEL FILTER ELEMENT (2008 & UP)	110-9049
	IN-LINE BIO-DIESEL KIT	112-7836
	ELEMENT BIO-DIESEL KIT	110-9015
	HYDRAULIC OIL FILTER ELEMENT	54-0110
	FILTER HEAD (2001 & UP)	92-5821
Reelmaster	400 Hour Filter Kit	30090**
3550D	MVP Kit 1000 Hour (2019 & Up) Tier 4	44963**
3555	AIR FILTER	108-3811
3575	ENGINE OIL FILTER	108-3841
	TRANSMISSION OIL FILTER	86-3010
	SPIN ON FILTER	110-9049
	FILTER HEAD	92-5821

*Not illustrated. **Not sold separately. See pages 12-25 for kit contents. Prices subject to change without notice. Please see your Parts Catalog or Master Parts Viewer to ensure the correct part is ordered, as the part you need may not be listed above. toro.com/parts

QUICK REFERENCE GUIDE

FILTERS

Reelmaster[®] - continued

Equipment	Description	Part No.
Reelmaster 223D 5100D	ENGINE OIL FILTER	108-3841
	AIR FILTER ELEMENT	108-3833
	AIR FILTER PRE-CLEANER ASSEMBLY	48-7430
	DIESEL FUEL FILTER ELEMENT SEPARATOR	63-8300
	DIESEL ELECTRIC FUEL PUMP FILTER (EFP)	43-2550
	HYDRAULIC OIL FILTER ELEMENT RESERVOIR	75-1310
	HYDRAULIC OIL FILTER ELEMENT TRANS	110-4146
	HYDRAULIC OIL FILTER ELEMENT FRONT AXLE	75-6340
Reelmaster 5210 5410 5510	400 Hour Filter Kit (2006-07)	30039**
	400 Hour Filter Kit (2008-2018) non Tier 4	30054**
	MVP Kit 1000 Hour (2019 & Up) non Tier 4	44959**
	MVP Kit 1000 Hour (2019 & Up) Tier 4	44964**
	ENGINE OIL FILTER	108-3841
	AIR FILTER ELEMENT	108-3810
	IN-LINE PLASTIC DIESEL FUEL FILTER (2006-07)	98-7612
	IN-LINE METAL DIESEL FUEL FILTER (2006-07)	108-3828
	DIESEL FUEL FILTER ELEMENT (2006-07)	98-9764
	DIESEL FUEL FILTER ELEMENT (2008 & UP)	110-9049
	IN-LINE BIO-DIESEL KIT	112-7836
ELEMENT BIO-DIESEL KIT	110-9015	
FILTER HEAD (2006 & UP)	92-5821	
Reelmaster 5410G 5510G	800 Hour Filter Kit	30091**
	AIR FILTER	108-3810
	OIL FILTER	108-3841
	FILTER ELEMENT	94-2621
	TRANSMISSION OIL FILTER	86-3010
Reelmaster 5410D 5510D	800 Hour Filter Kit Tier 4 Final	30093**
	AIR FILTER	108-3810
	ENGINE FILTER	125-7025
	FILTER ELEMENT	94-2621
	TRANSMISSION OIL FILTER	86-3010
	FILTER SPIN ON	125-2915
	FUEL FILTER	125-8752
Reelmaster 5010-H	800 Hour Filter Kit	30247**
	MVP Kit 1000 Hour (2019 & Up)	44966**
	ENGINE OIL FILTER	108-3841
	FUEL/WATER SEPARATOR	110-9049
	HYDRAULIC OIL FILTER	86-3010
	AIR FILTER	108-3810
Reelmaster 5200D 5400D	400 Hour Filter Kit	30015**
	ENGINE OIL FILTER	108-3841
	ENGINE OIL FILTER BREATHER ELEMENT	98-9493
	AIR FILTER ELEMENT (2005 & UP)	108-3810
	AIR FILTER PRE-CLEANER ASSEMBLY	48-7430
	IN-LINE PLASTIC DIESEL FUEL FILTER (1998)	98-7612
	IN-LINE METAL DIESEL FUEL FILTER (1998)	108-3828
	DIESEL FUEL FILTER ASSEMBLY (1991-01)	99-8351
	DIESEL FUEL FILTER ELEMENT (1991-01)	99-8358
	IN-LINE PLASTIC DIESEL FUEL FILTER (2002 & UP)	98-7612
	IN-LINE METAL DIESEL FUEL FILTER (2002 & UP)	108-3828
	DIESEL FUEL FILTER ELEMENT SEPARATOR	98-9764
	IN-LINE BIO-DIESEL KIT	112-7836
	BIO-DIESEL FUEL FILTER ELEMENT	110-9015
	HYDRAULIC OIL FILTER ELEMENT RESERVOIR	75-1310
	HYDRAULIC OIL FILTER ELEMENT TRANS	110-4146
	HYDRAULIC OIL FILTER ELEMENT FRONT AXLE	75-6340
Reelmaster 5300D	ENGINE OIL FILTER	112-8409
	AIR FILTER ELEMENT	108-3833
	AIR FILTER PRE-CLEANER ASSEMBLY	48-7430
	DIESEL FUEL FILTER ELEMENT SEPARATOR	63-8300
	DIESEL ELECTRIC FUEL PUMP	43-2550
	HYDRAULIC OIL FILTER ELEMENT RESERVOIR	75-1310
	HYDRAULIC OIL FILTER ELEMENT TRANS	110-4146
	HYDRAULIC OIL FILTER ELEMENT FRONT AXLE	75-6340

Reelmaster[®] - continued

Equipment	Description	Part No.
Reelmaster 5500D	400 Hour Filter Kit	30038**
	ENGINE OIL FILTER	108-3841
	ENGINE OIL BREATHER ELEMENT	98-9493
	AIR FILTER ELEMENT (2005 & UP)	108-3810
	AIR FILTER PRE-CLEANER ASSEMBLY	48-7430
	IN-LINE DIESEL FUEL FILTER (2000-01)	99-8351
	IN-LINE PLASTIC DIESEL FUEL FILTER (2002 & UP)	98-7612
	IN-LINE METAL DIESEL FUEL FILTER (2002 & UP)	108-3828
	DIESEL FUEL FILTER ELEMENT SEPARATOR	98-9764
	IN-LINE BIO-DIESEL KIT	112-7836
	BIO-DIESEL FUEL FILTER ELEMENT	110-9015
	HYDRAULIC OIL FILTER ELEMENT RESERVOIR	94-2621
	HYDRAULIC OIL FILTER ELEMENT TRANS	110-4146
HYDRAULIC OIL FILTER ELEMENT FRONT AXLE	75-6340	
Reelmaster 5610	400 Hour Filter Kit (2006-07)	30040**
	400 Hour Filter Kit (2008 - 2012)	30055**
	MVP Kit 1000 Hour (2019 & Up) Non-Tier 4	44960**
	ENGINE OIL FILTER	108-3841
	AIR FILTER ELEMENT	108-3812
	IN-LINE PLASTIC DIESEL FUEL FILTER (2006-07)	98-7612
	IN-LINE METAL DIESEL FUEL FILTER (2006-07)	108-3828
	DIESEL FUEL FILTER ELEMENT (2006-07)	98-9764
	DIESEL FUEL FILTER ELEMENT (2008 & UP)	110-9049
	IN-LINE BIO-DIESEL KIT	112-7836
BIO-DIESEL FUEL FILTER ELEMENT	110-9015	
HYDRAULIC OIL FILTER ELEMENT STEERING	86-3010	
HYDRAULIC OIL FILTER ELEMENT RESERVOIR	94-2621	
Reelmaster 6500D 6700D	400 Hour Filter Kit (2003-07)	30014**
	400 Hour Filter Kit (2008 & Up)	30057**
	ENGINE OIL FILTER (1995-01)	108-3837
	ENGINE OIL FILTER (2001 & UP)	108-3841
	ENGINE OIL BREATHER ELEMENT (2001 & UP)	98-9493
	AIR FILTER OUTER	108-3812
	AIR FILTER INNER	108-3813
	DIESEL FUEL FILTER ELEMENT (1995-01)	76-5220
	DIESEL FUEL FILTER ASSEMBLY (2001-02)	99-8351
	DIESEL FUEL FILTER ELEMENT (2001-02)	99-8358
	IN-LINE PLASTIC DIESEL FUEL FILTER (2003-07)	98-7612
	IN-LINE METAL DIESEL FUEL FILTER (2003-07)	108-3828
	DIESEL FUEL FILTER ELEMENT (2003-07)	98-9764
	DIESEL FUEL FILTER ELEMENT (2008 & UP)	110-9049
	IN-LINE BIO-DIESEL KIT	112-7836
	ELEMENT BIO-DIESEL KIT	110-9015
	HYDRAULIC OIL FILTER ELEMENT	94-2621
Reelmaster 335D 3500D	ENGINE OIL FILTER	108-3837
	AIR FILTER ELEMENT	108-3833
	DIESEL FUEL FILTER ELEMENT	76-5220
	HYDRAULIC OIL FILTER ELEMENT	86-3010
Reelmaster 450D 4500D	ENGINE OIL FILTER	108-3835
	AIR FILTER ELEMENT	108-3833
	AIR FILTER PRE-CLEANER ASSEMBLY	48-7430
	DIESEL FUEL FILTER ELEMENT	60-5470
	HYDRAULIC OIL FILTER ELEMENT (1986-92)	69-1720
HYDRAULIC OIL FILTER ELEMENT (1993 & UP)	86-6110	

QUICK REFERENCE GUIDE

FILTERS

Reelmaster[®] - continued

Equipment	Description	Part No.
Reelmaster 4000D	400 Hour Filter Kit (2002-07)	30012**
	400 Hour Filter Kit (2008 & Up)	30061**
	ENGINE OIL FILTER	104-5169
	ENGINE OIL BREATHER ELEMENT	98-7419
	AIR FILTER OUTER	108-3812
	AIR FILTER INNER	108-3813
	IN-LINE PLASTIC DIESEL FUEL FILTER (1998-01)	98-7612
	IN-LINE METAL DIESEL FUEL FILTER (1998-01)	108-3828
	IN-LINE DIESEL FUEL FILTER ASSEMBLY (2002-03)	99-8351
	IN-LINE DIESEL FUEL FILTER ELEMENT (2002-03)	99-8358
	IN-LINE PLASTIC DIESEL FUEL FILTER (2004-2007)	98-7612
	IN-LINE METAL DIESEL FUEL FILTER (2004-07)	108-3828
	DIESEL FUEL FILTER ELEMENT SEPARATOR (1998-01)	76-5220
	DIESEL FUEL FILTER ELEMENT SEPARATOR (2002 & UP)	98-9764
	IN-LINE BIO-DIESEL KIT	112-7836
ELEMENT BIO-DIESEL KIT	110-9015	
HYDRAULIC OIL FILTER ELEMENT	86-6110	
Reelmaster 7000D	ENGINE OIL FILTER	104-5169
	AIR FILTER OUTER	108-3814
	AIR FILTER INNER	108-3816
	GAS FUEL FILTER ELEMENT (2008 & UP)	110-9049
	HYDRAULIC OIL FILTER AT PUMP	75-1310
	HYDRAULIC OIL FILTER AT MANIFOLD	94-2621
	OIL FILTER	93-2242

Groundsmaster[®]

Equipment	Description	Part No.
Groundsmaster 52	AIR FILTER ELEMENT	108-3808
	IN-LINE GAS FUEL FILTER	108-3831
	HYDRAULIC OIL FILTER ELEMENT - TRANS	23-2300
Groundsmaster 62	ENGINE OIL FILTER	108-3817
	AIR FILTER ELEMENT	108-3833
	IN-LINE GAS FUEL FILTER	108-3831
	HYDRAULIC OIL FILTER ELEMENT - TRANS	23-2300
Groundsmaster 217D	ENGINE OIL FILTER	42-9030
	AIR FILTER ELEMENT	108-3833
	IN-LINE DIESEL FUEL FILTER	43-1820
	DIESEL ELECTRIC FUEL PUMP FILTER (EFP)	43-2550
	HYDRAULIC OIL FILTER ELEMENT- TRANS	23-2300
Groundsmaster 220	ENGINE OIL FILTER	108-3817
	ENGINE OIL FILTER BREATHER ELEMENT	57-8580
	AIR FILTER ELEMENT	108-3833
	IN-LINE GAS FUEL FILTER	71-5960
	HYDRAULIC OIL FILTER ELEMENT- TRANS	23-2300
Groundsmaster 220D 223D	400 Hour Filter Kit	30030**
	ENGINE OIL FILTER	108-3841
	AIR FILTER ELEMENT	108-3833
	DIESEL FUEL FILTER ELEMENT SEPARATOR	63-8300
	DIESEL ELECTRIC FUEL PUMP FILTER (EFP)	43-2550
	HYDRAULIC OIL FILTER ELEMENT- TRANS	23-2300
Groundsmaster 224	ENGINE OIL FILTER	108-3841
	AIR FILTER ELEMENT	108-3833
	IN-LINE GAS FUEL FILTER	108-3831
	GAS ELECTRIC FUEL PUMP FILTER	43-2550
	HYDRAULIC OIL FILTER ELEMENT- TRANS	23-2300
Groundsmaster 225	400 Hour Filter Kit	30002**
	ENGINE OIL FILTER	108-3842
	AIR FILTER ELEMENT	108-3833
	IN-LINE GAS FUEL FILTER	108-3854
	HYDRAULIC OIL FILTER ELEMENT- TRANS	23-2300

Groundsmaster® - continued

Equipment	Description	Part No.
Groundsmaster 228D	400 Hour Filter Kit	30001**
	ENGINE OIL FILTER	108-3841
	ENGINE OIL FILTER BREATHER ELEMENT	98-9493
	AIR FILTER ELEMENT	108-3810
	IN-LINE PLASTIC DIESEL FUEL FILTER	98-7612
	IN-LINE METAL DIESEL FUEL FILTER	108-3828
	DIESEL FUEL FILTER ELEMENT SEPARATOR	98-9764
	IN-LINE BIO-DIESEL FUEL FILTER KIT	112-7836
	BIO-DIESEL FUEL FILTER ELEMENT	110-9015
	DIESEL ELECTRIC FUEL PUMP FILTER (EFP)	43-2550
HYDRAULIC OIL FILTER ELEMENT- TRANS	23-2300	
Groundsmaster 322D	ENGINE OIL FILTER	42-9030
	AIR FILTER ELEMENT	108-3833
	IN-LINE DIESEL FUEL FILTER	43-1820
	DIESEL FUEL FILTER ELEMENT SEPARATOR (1989-90)	63-8300
	DIESEL ELECTRIC FUEL PUMP FILTER (EFP)	43-2550
	HYDRAULIC OIL FILTER ELEMENT- TRANS	23-2300
Groundsmaster 325D	400 Hour Filter Kit	30023**
	ENGINE OIL FILTER 2WD	42-9030
	ENGINE OIL FILTER 4WD (1991-94)	42-9030
	ENGINE OIL FILTER 4WD (1995 & UP)	108-3841
	AIR FILTER ELEMENT	108-3833
	IN-LINE DIESEL FUEL FILTER	43-1820
	DIESEL FUEL FILTER ELEMENT SEPARATOR	63-8300
	DIESEL ELECTRIC FUEL PUMP FILTER (EFP)	43-2550
HYDRAULIC OIL FILTER ELEMENT	23-9740	
Groundsmaster 327	ENGINE OIL FILTER	
	AIR FILTER ELEMENT	108-3833
	IN-LINE GAS FUEL FILTER	108-3831
	HYDRAULIC OIL FILTER ELEMENT - TRANS	23-2300
Groundsmaster 328D	400 Hour Filter Kit (2001 thru 2007)	30022**
	400 Hour Filter Kit (2008 & Up)	30059**
	ENGINE OIL FILTER	108-3841
	ENGINE OIL FILTER BREATHER ELEMENT	98-9493
	AIR FILTER ELEMENT	108-3810
	IN-LINE PLASTIC DIESEL FUEL FILTER (2001-07)	98-7612
	IN-LINE METAL DIESEL FUEL FILTER (2001-07)	108-3828
	DIESEL FUEL FILTER ELEMENT (2001-07)	98-9764
	DIESEL FUEL FILTER ELEMENT (2008 & UP)	110-9049
	DIESEL ELECTRIC FUEL PUMP FILTER (EFP)	43-2550
	IN-LINE BIO-DIESEL FUEL FILTER KIT	112-7836
	BIO-DIESEL FUEL FILTER ELEMENT	110-9015
	HYDRAULIC OIL FILTER ELEMENT	23-9740
	Groundsmaster 345	400 Hour Filter Kit
ENGINE OIL FILTER		108-3817
AIR FILTER ELEMENT		108-3833
GAS FUEL FILTER AT TANK		108-3831
GAS FUEL FILTER ENGINE (1999 & UP)		FG778B
HYDRAULIC OIL FILTER	23-9740	
Groundsmaster 360	MVP Filter Kit	30261**
	ENGINE OIL FILTER	108-3841
	AIR FILTER ELEMENT	108-3810
	DIESEL FUEL FILTER ELEMENT (2008 & UP)	110-9049
	HYDRAULIC OIL FILTER ELEMENT TRANS	108-5194
Groundsmaster 455D	400 Hour Filter Kit	30028**
	ENGINE OIL FILTER	108-3837
	AIR FILTER ELEMENT (1992-95)	108-3833
	AIR FILTER ELEMENT OUTER (1996 & UP)	108-3812
	AIR FILTER ELEMENT INNER (1996 & UP)	108-3813
	DIESEL FUEL FILTER ELEMENT	76-5220
HYDRAULIC OIL FILTER ELEMENT	86-3010	

*Not illustrated. **Not sold separately. See pages 12-25 for kit contents. Prices subject to change without notice. Please see your Parts Catalog or Master Parts Viewer to ensure the correct part is ordered, as the part you need may not be listed above. toro.com/parts

QUICK REFERENCE GUIDE

FILTERS

Groundsmaster[®] - continued

Equipment	Description	Part No.
Groundsmaster 580D	400 Hour Filter Kit (1989-03)	30024**
	400 Hour Filter Kit (2004 & Up)	30063**
	ENGINE OIL FILTER (1989-97)	108-3835
	ENGINE OIL FILTER (1998 & UP)	110-6166
	AIR FILTER ELEMENT (1989-97)	108-3809
	AIR FILTER ELEMENT 2005 & UP)	108-3815
	DIESEL FUEL FILTER ELEMENT INJECTION PUMP	108-3818
	DIESEL FUEL FILTER FEED PUMP	70-4790
	DIESEL FUEL FILTER ELEMENT (1989-03)	117-9432
	DIESEL FUEL FILTER ELEMENT (2004-05)	60-5470
	IN-LINE DIESEL FUEL FILTER (2006 & UP)	108-3831
	BIO-DIESEL FUEL FILTER ELEMENT KIT	112-9188
	HYDRAULIC OIL FILTER ELEMENT	69-1720
Groundsmaster 3000	ENGINE OIL FILTER	FL-400-A
	AIR FILTER ELEMENT (1996)	108-3812
	GAS FUEL FILTER	FG795A
	HYDRAULIC OIL FILTER ELEMENT	94-3951
Groundsmaster 3000D	400 Hour Filter Kit	30010**
	ENGINE OIL FILTER	108-3837
	AIR FILTER ELEMENT (1996)	108-3812
	DIESEL FUEL FILTER ELEMENT	76-5220
	HYDRAULIC OIL FILTER ELEMENT	94-3951
Groundsmaster 3280D	400 Hour Filter Kit (2005-07)	30034**
	400 Hour Filter Kit (2008-2015)	30051**
	400 Hour filter Kit (2016 & Up)	30262**
	ENGINE OIL FILTER	108-3841
	AIR FILTER ELEMENT (2005 & UP)	108-3810
	IN-LINE PLASTIC DIESEL FUEL FILTER (2005-07)	98-7612
	IN-LINE METAL DIESEL FUEL FILTER (2005-07)	108-3828
	DIESEL FUEL FILTER ELEMENT (2005-07)	98-9764
	DIESEL FUEL FILTER ELEMENT (2008 - 2012)	110-9049
	IN-LINE BIO-DIESEL FUEL FILTER KIT	112-7836
	BIO-DIESEL FUEL FILTER ELEMENT	110-9015
HYDRAULIC OIL FILTER ELEMENT - TRANS	23-2300	
Groundsmaster 3320	ENGINE OIL FILTER	108-3842
	AIR FILTER ELEMENT (2005 & UP)	108-3810
	IN-LINE GAS FUEL FILTER	108-3854
	HYDRAULIC OIL FILTER ELEMENT - TRANS	23-2300
Groundsmaster 3500D 3505D	400 Hour Filter Kit (2002-2007)	30027**
	400 Hour Filter Kit (2008-2012)	30058**
	400 Hour Filter Kit (2013-2018)	30090**
	MVP Kit 1000 Hour (2019 & Up) Non-Tier 4	44962**
	MVP Kit 1000 Hour (2019 & Up) Tier 4	44963**
	ENGINE OIL FILTER	108-3841
	ENGINE OIL FILTER BREATHER ELEMENT	98-9493
	AIR FILTER ELEMENT (2005 & UP)	108-3810
	IN-LINE PLASTIC DIESEL FUEL FILTER (2002-07)	98-7612
	IN-LINE METAL DIESEL FUEL FILTER (2002-07)	108-3828
	DIESEL FUEL FILTER ELEMENT (2002-07)	98-9764
	DIESEL FUEL FILTER ELEMENT (2008-2012)	110-9049
	IN-LINE BIO-DIESEL FUEL FILTER KIT	112-7836
	BIO-DIESEL FUEL FILTER ELEMENT	110-9015
HYDRAULIC OIL FILTER ELEMENT (2000-01)	54-0110	
HYDRAULIC OIL FILTER ELEMENT (2002 & UP)	86-3010	
Groundsmaster 3500G	MVP Kit 1000 Hour (2019 & Up)	44965**

Groundsmaster[®] - continued

Equipment	Description	Part No.
Groundsmaster 4000D 4100D	400 Hour Filter Kit (2001-07)	30029**
	400 Hour Filter Kit (2008 & Up)	30056**
	800 Hour Filter Kit (T4i)	30089**
	800 Hour Filter Kit (T4F)	30408**
	MVP Kit 1000 Hour (2019 & Up)	44967**
	ENGINE OIL FILTER (2001 & UP)	104-5169
	ENGINE OIL FILTER BREATHER ELEMENT	98-7419
	AIR FILTER ELEMENT INNER (2004 & UP)	108-3816
	AIR FILTER ELEMENT OUTER (2004 & UP)	108-3814
	IN-LINE PLASTIC DIESEL FUEL FILTER (2001-07)	98-7612
	IN-LINE METAL DIESEL FUEL FILTER (2001-07)	108-3828
	DIESEL FUEL FILTER ELEMENT (2001-07)	98-9764
	DIESEL FUEL FILTER ELEMENT (2008 & UP)	110-9049
	IN-LINE BIO-DIESEL FUEL FILTER KIT	112-7836
	BIO-DIESEL FUEL FILTER ELEMENT	110-9015
	HYDRAULIC OIL FILTER ELEMENT AT PUMP	75-1310
	HYDRAULIC OIL FILTER ELEMENT AT MANIFOLD	94-2621
OIL FILTER	93-2242	
FILTER - FUEL/WATER SEPARATOR	125-2915	
Groundsmaster 4300D	400 Hour Filter Kit (2008-2012)	30055**
	800 Hour Filter MVP Kit (2013-2018)	30093**
	MVP Kit 1000 Hour (2019 & Up) Tier 4	44964**
	ENGINE OIL FILTER	108-3841
	AIR FILTER	108-3812
	IN-LINE DIESEL FUEL FILTER	110-9044
	DIESEL FUEL FILTER ELEMENT (2008 - 2012)	110-9049
HYDRAULIC OIL FILTER RESERVOIR ELEMENT	94-2621	
HYDRAULIC OIL FILTER AT PUMP ELEMENT	86-3010	
Groundsmaster 4500D 4700D	400 Hour Filter Kit (2001-07)	30029**
	400 Hour Filter Kit (2008 & Up)	30056**
	800 Hour Filter Kit (T4i)	30089**
	800 Hour Filter Kit (T4F)	30408**
	ENGINE OIL FILTER	104-5169
	ENGINE OIL FILTER BREATHER ELEMENT	98-7419
	AIR FILTER ELEMENT INNER (2004 & UP)	108-3816
	AIR FILTER ELEMENT OUTER (2004 & UP)	108-3814
	IN-LINE PLASTIC DIESEL FUEL FILTER (2002-07)	98-7612
	IN-LINE METAL DIESEL FUEL FILTER (2002-07)	108-3828
	DIESEL FUEL FILTER ELEMENT (2002-07)	98-9764
	DIESEL FUEL FILTER ELEMENT (2008 & UP)	110-9049
	IN-LINE BIO-DIESEL FUEL FILTER KIT	112-7836
	BIO-DIESEL FUEL FILTER ELEMENT	110-9015
	HYDRAULIC OIL FILTER ELEMENT AT PUMP	75-1310
	HYDRAULIC OIL FILTER ELEMENT AT MANIFOLD	94-2621
	OIL FILTER	93-2242
Groundsmaster 5900 5910	400 Hour Filter Kit	30041**
	MVP Kit 1000 Hour (2019 & Up)	44958**
	ENGINE OIL FILTER	130-8860
	AIR FILTER ELEMENT INNER	115-8877
	AIR FILTER ELEMENT OUTER	115-8887
	DIESEL FUEL FILTER ELEMENT AT ENGINE	117-2792
	DIESEL FUEL FILTER ELEMENT AT SEPARATOR	115-5471
	HYDRAULIC OIL FILTER MAIN ELEMENT	86-6110
	HYDRAULIC OIL FILTER PTO ELEMENT	75-1310
	FUEL FILTER (2016 & UP)	125-8752
ENGINE FILTER (2016 & UP)	125-7025	
Groundsmaster 7200 7210	400 Hour Filter Kit (2007)	30037**
	400 Hour Filter Kit (2008-2014)	30052**
	MVP Filter Kit, Tier4 Final (2015 & Up)	30261**
	ENGINE OIL FILTER	108-3841
	AIR FILTER ELEMENT	108-3810
	IN-LINE PLASTIC DIESEL FUEL FILTER (2007)	98-7612
	IN-LINE METAL DIESEL FUEL FILTER (2007)	108-3828
	DIESEL FUEL FILTER ELEMENT (2007)	98-9764
	DIESEL FUEL FILTER ELEMENT (2008 & UP)	110-9049
	BIO-DIESEL FUEL FILTER ELEMENT	110-9015
HYDRAULIC OIL FILTER ELEMENT - TRANS	108-5194	
FILTER - FUEL/WATER SEPARATOR	125-2915	

*Not illustrated. **Not sold separately. See pages 12-25 for kit contents. Prices subject to change without notice. Please see your Parts Catalog or Master Parts Viewer to ensure the correct part is ordered, as the part you need may not be listed above. toro.com/parts

QUICK REFERENCE GUIDE

FILTERS

Aerator

Equipment	Description	Part No.
ProCore 648	INLINE FUEL FILTER	115-7854
	HYDRAULIC OIL FILTER	107-9531
Hydroject 3000 4000	400 Hour Maintenance Kit	30008**
	ENGINE OIL FILTER BREATHER ELEMENT	57-8580
	ENGINE OIL FILTER	108-3817
	AIR FILTER ELEMENT	82-0660
	IN-LINE GAS FUEL FILTER	71-5960
	HYDRAULIC OIL FILTER ELEMENT (3000 ONLY)	67-8110
	WATER FILTER PRE-FILTER ASSEMBLY	86-9100
	WATER FILTER PRE-FILTER BOWL	86-9120
	WATER FILTER ELEMENT PRE-FILTER	86-9140
	WATER FILTER ELEMENT STANDARD	86-8630
Hydroject 3010	ENGINE OIL FILTER	52 050 02-S
	AIR FILTER ELEMENT - PRIMARY	25 083 01 S
	AIR FILTER ELEMENT - SAFETY	25 083 04 S
	IN-LINE GAS FUEL FILTER	24 050 09 S
	HYDRAULIC OIL FILTER ELEMENT	67-8110
	WATER FILTER PRE-FILTER ASSEMBLY	86-9100
	WATER FILTER PRE-FILTER BOWL	86-9120
	WATER FILTER ELEMENT PRE-FILTER	86-9140
	WATER FILTER ELEMENT STANDARD	86-8630

Workman*

Equipment	Description	Part No.
Workman 1100 MD	400 Hour Filter Kit	30005**
	AIR FILTER ELEMENT	108-3811
	IN-LINE GAS FUEL FILTER	94-2690
Workman 2100 2110	400 Hour Filter Kit	30004**
	ENGINE OIL FILTER (2000-07)	107-7817
	ENGINE OIL FILTER (2008 & UP)	842921
	AIR FILTER ELEMENT	108-3811
Workman MDX	IN-LINE GAS FUEL FILTER	94-2690
	400 Hour Filter Kit	30004**
	ENGINE OIL FILTER	107-7817
Workman 3100	AIR FILTER ELEMENT	108-3811
	IN-LINE GAS FUEL FILTER	94-2690
	ENGINE OIL FILTER	12 050 01-S
	ENGINE OIL FILTER BREATHER ELEMENT	24 050 10
	AIR FILTER ELEMENT - MAIN (1994-01)	47 083 03-S
	AIR FILTER ELEMENT - MAIN (2002 & UP)	24 083 03-S
	AIR FILTER ELEMENT - WRAPPER (1994-01)	24 083 02-S
	AIR FILTER ELEMENT - WRAPPER (2002 & UP)	24 083 05-S
Workman 3120	IN-LINE GAS FUEL FILTER (1993-99)	108-3831
	IN-LINE GAS FUEL FILTER (2000 & UP)	108-3854
	HYDRAULIC OIL FILTER ELEMENT (1994-03)	54-0110
	ENGINE OIL FILTER	12 050 01-S
	ENGINE OIL FILTER BREATHER ELEMENT	24 050 10
	AIR FILTER ELEMENT - MAIN	47 083 03-S
	AIR FILTER ELEMENT - WRAPPER	24 083 02-S
Workman 3200	IN-LINE GAS FUEL FILTER	108-3831
	HYDRAULIC OIL FILTER ELEMENT	54-0110
	400 Hour Maintenance Kit	30017**
	ENGINE OIL FILTER (1993-94)	42-9030
	ENGINE OIL FILTER (1995-01)	108-3841
	ENGINE OIL FILTER (2002 & UP)	108-3842
	AIR FILTER ELEMENT (1993-98)	108-3808
	AIR FILTER SAFETY ELEMENT (1999-01)	98-2982
Workman 3200	GAS FUEL FILTER (1993-99)	108-3831
	IN-LINE GAS FUEL FILTER (2000 & UP)	108-3854
	HYDRAULIC OIL FILTER ELEMENT (1993-03)	54-0110

Workman* - continued

QUICK REFERENCE GUIDE

FILTERS

Equipment	Description	Part No.
Workman 3210 3220	ENGINE OIL FILTER	108-3841
	AIR FILTER ELEMENT	108-3811
	AIR FILTER SAFETY ELEMENT	98-2982
	IN-LINE GAS FUEL FILTER	108-3831
	HYDRAULIC OIL FILTER ELEMENT	54-0110
Workman 3300D 4300D	400 Hour Maintenance Kit (2002 & Up)	30006**
	ENGINE OIL FILTER (1993-01)	108-3841
	ENGINE OIL FILTER (2002 & UP)	108-3842
	AIR FILTER ELEMENT (1993-98)	108-3808
	AIR FILTER ELEMENT (1999 & UP)	108-3811
	AIR FILTER SAFETY ELEMENT (1999 & UP)	98-2982
	GAS FUEL FILTER ELEMENT SEPARATOR	63-8300
	GAS ELECTRIC FUEL PUMP FILTER (EFP)	43-2550
	HYDRAULIC OIL FILTER ELEMENT (1993-03)	54-0110
Workman 3310D 3220D	ENGINE OIL FILTER	108-3841
	AIR FILTER ELEMENT	108-3811
	AIR FILTER SAFETY ELEMENT	98-2982
	DIESEL FUEL FILTER ELEMENT SEPARATOR	63-8300
	DIESEL ELECTRIC FUEL PUMP FILTER (EFP)	43-2550
Workman 3420	HYDRAULIC OIL FILTER ELEMENT	54-0110
	ENGINE OIL FILTER	108-3841
	AIR FILTER ELEMENT	108-3811
	IN-LINE GAS FUEL FILTER	108-3831
Workman 4200	HYDRAULIC OIL FILTER ELEMENT	54-0110
	400 Hour Maintenance Kit (2002-07)	30017**
	ENGINE OIL FILTER (1995-01)	108-3841
	ENGINE OIL FILTER (2002 & UP)	108-3842
	AIR FILTER ELEMENT (1993-98)	108-3808
	AIR FILTER ELEMENT (1999 & UP)	108-3811
	AIR FILTER SAFETY ELEMENT (1999 & UP)	98-2982
	IN-LINE GAS FUEL FILTER (1993-99)	108-3831
	IN-LINE GAS FUEL FILTER (200 & UP)	108-3854
Workman HD	HYDRAULIC OIL FILTER ELEMENT (1995-03)	54-0110
	ENGINE OIL FILTER	108-3847
	ENGINE OIL FILTER	12 050 01-S
	AIR FILTER PRE-CLEANER	24 083 05-S
	AIR FILTER ELEMENT	24 083 03-S
	IN-LINE GAS FUEL FILTER	108-3854
	IN-LINE GAS FUEL FILTER	115-7854
Workman HDX	HYDRAULIC OIL FILTER ELEMENT	54-0110
	ENGINE OIL FILTER	108-3847
	400 Hour Maintenance Kit (2012 & Older)	30073**
	ENGINE OIL FILTER (2012 & OLDER)	108-3842
	ENGINE OIL FILTER (2013 & UP)	115-8189
	AIR FILTER ELEMENT (2012 & OLDER)	108-3811
	AIR FILTER ELEMENT (2013 & UP)	108-3810
Workman HDX-D	IN-LINE GAS FUEL FILTER	115-7854
	GAS FUEL FILTER	115-7818
	HYDRAULIC OIL FILTER	54-0110
	400 Hour Maintenance Kit (2012 & Older)	30068**
	ENGINE OIL FILTER	108-3842
Workman HDX-Auto	AIR FILTER ELEMENT	108-3811
	DIESEL FUEL FILTER ELEMENT - SEPARATOR	110-9049
	HYDRAULIC OIL FILTER ELEMENT	54-0110
	400 Hour Maintenance Kit	131-8276
Workman GTX	ENGINE OIL FILTER	108-3847
	FUEL FILTER ELEMENT	115-7818
	IN-LINE FUEL FILTER	115-7854
	AIR FILTER ELEMENT	108-3811
Workman GTX	400 Hour Maintenance Kit	136-6280**
	AIR FILTER	108-3811
	SPARK PLUG	130-8380
	FUEL FILTER	56-6360

QUICK REFERENCE GUIDE

FILTERS

Multi Pro®

Equipment	Description	Part No.
Multi Pro 1100	ENGINE OIL FILTER	12 050 01
	AIR FILTER	47 083 03-S
	GAS FUEL FILTER	24 050 02-S
Multi Pro 1200/1250/1750	1200/1250/1750 MVP Kit Filter/Screen Suction	131-3751**
	ENGINE OIL FILTER	108-3847
	AIR FILTER ELEMENT - MAIN	47 083 03-S
	AIR FILTER ELEMENT - WRAPPER	24 083 02-S
	IN-LINE GAS FUEL FILTER	24 050 02-S
Multi Pro 5200	HYDRAULIC OIL FILTER ELEMENT	54-0110
	ENGINE OIL FILTER	
	AIR FILTER ELEMENT	106-4904
	IN-LINE GAS FUEL FILTER	108-3854
	Multi Pro 5500	ENGINE OIL FILTER
AIR FILTER ELEMENT		106-4904
AIR FILTER ELEMENT - CAB		92-3814
IN-LINE GAS FUEL FILTER		108-3854
IN-LINE HYDRAULIC OIL FILTER		86-3010
Multi Pro 5600	ENGINE OIL FILTER	108-3817
	AIR FILTER ELEMENT	106-4904
	IN-LINE GAS FUEL FILTER	108-3854
	IN-LINE HYDRAULIC OIL FILTER	86-3010
	Multi Pro 5700D	ENGINE OIL FILTER
AIR FILTER ELEMENT		108-3810
IN-LINE PLASTIC DIESEL FUEL FILTER		98-7612
IN-LINE METAL DIESEL FUEL FILTER		108-3828
DIESEL FUEL FILTER ELEMENT (2004-07)		98-9764
DIESEL FUEL FILTER ELEMENT (2008 & UP)		110-9049
IN-LINE BIO-DIESEL FUEL FILTER KIT		112-7836
BIO-DIESEL ELEMENT KIT		110-9015
IN-LINE HYDRAULIC OIL FILTER	86-3010	
Multi Pro 5800	ENGINE OIL FILTER	108-3841
	AIR FILTER ELEMENT	108-3810
	DIESEL FUEL FILTER ELEMENT	110-9049
	SEPARATOR FILTER ASSEMBLY	110-9044
	50 BLUE SUCTION HYDRAULIC OIL FILTER	100-8642
	HYDRAULIC OIL FILTER ELEMENT AT PUMP	75-1310
	GASOLINE FUEL FILTER ELEMENT	125-2902
	OIL FILTER	93-2242

Specialty Turf Equipment

Equipment	Description	Part No.
Sand Pro	AIR FILTER ELEMENT	108-3808
	IN-LINE GAS FUEL FILTER	108-3831
	HYDRAULIC OIL FILTER ELEMENT	23-9740
Sand Pro 2000 3000	AIR FILTER ELEMENT - MAIN	45 083 02
	AIR FILTER ELEMENT - WRAPPER	45 083 01
	AIR FILTER ELEMENT - REMOTE	108-3808
	IN-LINE GAS FUEL FILTER	108-3831
	HYDRAULIC OIL FILTER ELEMENT	23-9740
Sand Pro 2020 3020 5020	ENGINE OIL FILTER	107-7817
	AIR FILTER ELEMENT - MAIN	92-0527
	AIR FILTER ELEMENT - WRAPPER	272490S
	AIR FILTER ELEMENT - REMOTE	108-3811
	IN-LINE GAS FUEL FILTER	94-2690
HYDRAULIC OIL FILTER ELEMENT	23-9740	

Specialty Turf Equipment - continued

Equipment	Description	Part No.
Sand Pro 5000	ENGINE OIL FILTER	107-7817
	AIR FILTER ELEMENT - MAIN	92-0527
	AIR FILTER ELEMENT - WRAPPER	272490S
	AIR FILTER ELEMENT - REMOTE (1992-94)	108-3808
	AIR FILTER ELEMENT - REMOTE (1995 & UP)	108-3811
	IN-LINE GAS FUEL FILTER	94-2690
	HYDRAULIC OIL FILTER ELEMENT	23-9740
Sand/Infield Pro 3040 5040	400 Hour Maintenance Kit	30035**
	MVP Kit 1000 Hour (2019 & Up)	44957**
	ENGINE OIL FILTER	107-7817
	AIR FILTER ELEMENT - REMOTE	108-3811
	IN-LINE GAS FUEL FILTER	94-2690
	HYDRAULIC OIL FILTER ELEMENT	54-0110
SandPro 2040Z	400 Hour Filter Maintenance Kit	08725**
	FILTER ELEMENT	114-3494
	INNER FILTER KIT	127-0381
	OIL FILTER	119-5852
	AIR FILTER	108-3811
	IN-LINE FUEL FILTER	115-7854
Trailer Sprayer 50T 80T	50 NOZZLE WATER FILTER	99-0853
Trailer Sprayer 300T	30 GREEN SUCTION WATER FILTER	100-6991
	50 BLUE SUCTION WATER FILTER	100-8642
	80 RED SUCTION WATER FILTER	100-6992
	PRESSURE WATER FILTER	100-6756
Rake-0-Vac 66"	ENGINE OIL FILTER	12-050-01
	ENGINE OIL FILTER BREATHER ELEMENT	24 050 01
	AIR FILTER ELEMENT - MAIN	47 083 03
	AIR FILTER ELEMENT - REMOTE	108-3808
	IN-LINE GAS FUEL FILTER	25 050 03
	ENGINE OIL FILTER	108-3847
Turf Sweeper 4800	ENGINE OIL FILTER (2001 & UP)	52 050 02-S
	AIR FILTER ELEMENT - MAIN (2001 & UP)	47 083 03
	AIR FILTER ELEMENT - WRAPPER (2001 & UP)	24 083 02-S
	IN-LINE GAS FUEL FILTER	108-3854
	HYDRAULIC OIL FILTER ELEMENT (1992-95)	01-317-0240
	HYDRAULIC OIL FILTER ELEMENT (1997 & UP)	23-9740
Top Dresser	DIESEL FUEL FILTER ELEMENT (2500)	86-3010
ProForce Debris Blower 800	ENGINE OIL FILTER	108-3847
	AIR FILTER ELEMENT - MAIN	24 083 03
	AIR FILTER ELEMENT - WRAPPER	24 083 05
	IN-LINE GAS FUEL FILTER	108-3854
Line Painter 1200	400 Hour Filter Maintenance Kit	30036**
	ENGINE OIL FILTER	108-3842
	AIR FILTER ELEMENT - MAIN	108-2604
	AIR FILTER ELEMENT - FOAM	108-2603
ProCore Core Processor	ENGINE OIL FILTER	842921
	AIR FILTER ELEMENT	108-3810
	GAS FUEL FILTER	695666
	ENGINE OIL FILTER	107-7817
ProLine H800 (PLH800)	AIR FILTER ELEMENT - INNER	134-0576
	AIR FILTER ELEMENT - INNER	134-3961
	HYDRAULIC FILTER	134-1368
	AIR FILTER	134-0575
	AIR FILTER	134-3959
	FUEL FILTER	134-1524
	FUEL FILTER	134-1997
	ENGINE OIL FILTER	134-1208
	HYDRAULIC TANK FILTER	134-3123
	FUEL FILTER ASSEMBLY	134-1447
	PRE-FILTER AIR	134-0567

QUICK REFERENCE GUIDE

BLADES

Blades Reference Chart - Groundsmaster®										
GM Unit	Cutting Deck	Deck Model	Blade Length	Combo	Angle Sail	Medium Flow	High Flow	Atomic® Mulching	Flat	Standard
1200	54" RD (137 cm) 3x decks		19" (48.3 cm)			137-3659-03	137-3671-03	139-7799-03		137-3671-03
			Service Pack			138-9029	138-9028	140-0028		138-9029
3200 / 3300	60" SD (152 cm)	31970	20.5 (52 cm)			110-4701	110-4702-03	110-4703-03		110-4702-03
	60" SD (152 cm)	31971	20.5 (52 cm)			110-4701	110-4702-03	110-4703-03		110-4701
	72" RD (183 cm)	31972	24.5 (62 cm)			110-0621-03	110-0622-03	110-0624-03		110-0622-03
	72" RD (183 cm)	31973	24.5 (62 cm)			110-0621-03	110-0622-03	110-0624-03		110-0621-03
3280-D	52" SD (132 cm)	30555	18" (46 cm)				44-5480	104-1301		27-0990-03
			Service Pack					108-1477		
	60" SD (152 cm)	30366	20.5" (52 cm)				110-4702-03	110-4703-03		110-4701
	62" RD & Guardian (157 cm)	30403	21.75" (55 cm)					107-0214-03		92-5608-03
	72" SD (183 cm)	31336	24.5" (62 cm)			110-0621-03	110-0622-03	110-0624-03		
	72" RD & Guardian (183 cm)	31335 30303	25.18" (64 cm)							121-5347-03
360	60" SD (152 cm)	30456	20.5" (52 cm)			110-4701	110-4702-03	110-4703-03		110-4701
	62" Guardian (157 cm)	30457	21.75" (55.2 cm)					107-0214-03	110-6115-03	92-5608-03
	72" SD (183 cm)	30481	24.5" (62 cm)			110-0621-03	110-0622-03	110-0624-03		110-0621-03
	72" RD & Guardian (183 cm)	30353	25.18" (64 cm)	125-9444-03					112-9586-03	121-5347-03
	100" RD (254 cm)	31101	19" (48.3 cm)	106-7166-03				132-1319		
Service Pack							132-1325			
			25.18" (64 cm)	125-9444-03						

For more information, contact your local
Toro distributor at 800-803-8676

9/9/2021



HIGH SAIL/FLOW

- Provides best quality of cut in most grass conditions.
- Provides better air flow.

ANGLED SAIL BLADE

- Performs best in lower heights of cut 1.9 - 6.4 cm (3/4 - 2.5 in.)
- Less tendency to throw crass and discharge remains more even at lower heights of cut.



ATOMIC BLADE

- Provides the best quality of cut while mulching.
- Preferred blade for mulching applications.

Blades Reference Chart - Groundsmaster®										
GM Unit	Cutting Deck	Deck Model	Blade Length	Combo	Angle Sail	Medium Flow	High Flow	Atomic® Mulching	Flat	Standard
3500-D 3500-G 3505-D	27" RD (69 cm)	30834	27" (68.6 cm)	108-9026-03	105-9810-03		104-5183	107-0235-03		
			Service Pack				108-1462			
4000-D 4010-D	Center & Wing Decks		21.75" (55.2 cm)			136-4370-03		107-0214-03	110-6115-03	92-5608-03
			Service Pack			137-5500		108-1450	110-6130	117-2722
4100-D 4110-D	Center & Wing Decks		19" (48.3 cm)	106-7166-03				107-0215-03	110-6116-03	
			Service Pack	130-2660				108-1451	110-6140	
4300-D	22" RD (55.9 cm)	30845	22" (55.9 cm)	108-7395-03	117-0209-03		114-0434-03	114-0435-03		
			Service Pack	119-6957						
4500-D	27" RD (69 cm)	30834	27" (69 cm)	108-9026-03	105-9810-03		104-5183	107-0235-03		
			Service Pack					108-1463		
4700-D	27" RD (69 cm)	30834	27" (69 cm)	108-9026-03	105-9810-03		104-5183	107-0235-03		
			Service Pack					108-1464		
T3 5900 T3 5910	3 RD Decks		20" (50.8 cm)	110-5946-03				110-5948-03		
			Service Pack	115-8896				114-0897		
T4 5900 T4 5910	3 RD Decks		20" (50.8 cm)					132-1390-03		130-9151-03
			Service Pack					132-1391		132-1392
7200 / 7210	60" SD (152 cm)	30456	20.5" (52 cm)			110-4701	110-4702-03	110-4703-03		110-4701
	62" RD & Guardian (157 cm)	60457	21.75" (55.2 cm)					107-0214-03	110-6115-03	92-5608-03
	72" SD (183 cm)	30481	24.5" (62 cm)			110-0621-03	110-0622-03	110-0624-03		110-0621-03
	72" RD & Guardian (183 cm)	30353	25.18" (64 cm)	125-9444-03					112-9586-03	121-5347-03
	100" RD (254 cm)	31101	19" (48.3 cm)	106-7166-03				132-1319		
Service Pack							132-1325			
			25.18" (64 cm)	125-9444-03						

For more information, contact your local
Toro distributor at 800-803-8676

9/9/2021



MEDIUM SAIL/FLOW

- Provides better quality of cut.
- Better overall performance in most conditions.

COMBINATION SAIL BLADE

- Provides excellent lift and dispersion.
- Standard blade on all Groundsmaster® Contour mowers.



FLAT BLADE

- Low noise level.
- Lower power consumption.
- Reduced discharge velocity of clippings.

QUICK REFERENCE GUIDE

BLADES

Groundsmaster®

Equipment	Description	Application	Part No.
Groundsmaster Series Decks 52 62 200	STANDARD BLADE	52"/132.1 cm SD & RD Deck (18"/45.7 cm Blade)	27-0990-03
	HIGH SAIL BLADE	52"/132.1 cm SD & RD Deck (18"/45.7 cm Blade)	44-5480
	ATOMIC BLADE	52"/132.1 cm SD & RD Deck (18"/45.7 cm Blade)	104-1301
	ATOMIC BLADE SERVICE PACK	52"/132.1 cm SD & RD Deck (6 #104-1301 Blades)	108-1477
	STANDARD BLADE	62"/157.5 cm Guardian (21.75"/55.2 cm Blade)	92-5608-03
	STANDARD BLADE	62"/157.5 cm SD & RD Deck (21.75"/55.2 cm Blade)	44-6250-03
	HIGH SAIL BLADE	62"/157.5 cm SD & RD Deck (21.75"/55.2 cm Blade)	77-6710-03
	ATOMIC BLADE	62"/157.5 cm SD & RD Deck (21.75"/55.2 cm Blade)	104-1303
	ATOMIC BLADE SERVICE PACK	62"/157.5 cm SD & RD Deck (6 #104-1303 Blades)	106-0631
	STANDARD BLADE	72"/182.9 cm SD & RD Deck (24.75"/62.9 cm Blade)	94-1861-03
	HIGH SAIL BLADE	72"/182.9 cm SD & RD Deck (24.75"/62.9 cm Blade)	104-4569-03
	ATOMIC BLADE	72"/182.9 cm SD & RD Deck (24.75"/62.9 cm Blade)	104-1304
	ATOMIC BLADE SERVICE PACK	72"/182.9 cm SD & RD Deck (6 #104-1304 Blades)	108-1478
	Groundsmaster Series Decks 72 300	STANDARD BLADE	72"/182.9 cm Guardian (25"/63.5 cm Blade)
STANDARD BLADE		72"/182.9 cm SD & RD Deck (25"/63.5 cm Blade)	29-5530-03
HIGH SAIL BLADE		72"/182.9 cm SD & RD Deck (25"/63.5 cm Blade)	23-2410-03
ATOMIC BLADE		72"/182.9 cm SD & RD Deck (25"/63.5 cm Blade)	106-4353-03
ATOMIC BLADE SERVICE PACK		72"/182.9 cm SD & RD Deck (6 #106-4354 Blades)	108-1454
STANDARD BLADE		88"/223.5 cm Triflex Deck (19"/48.3 cm Blade)	63-0080-03
Groundsmaster 455D	STANDARD BLADE	126"/320.0 cm Quadfloat Deck (19"/48.3 cm Blade)	86-0010-03
	ATOMIC BLADE	126"/320.0 cm Quadfloat Deck (19"/48.3 cm Blade)	107-0216-03
	ATOMIC BLADE SERVICE PACK	126"/320.0 cm Quadfloat Deck (7 #107-0216-03 Blades)	108-1452
Groundsmaster 580D	STANDARD BLADE	Center & Wing Decks (20"/50.8 cm Blade)	69-6920-03
	ATOMIC BLADE	Center & Wing Decks (20"/50.8 cm Blade)	107-0217-03
	ATOMIC BLADE SERVICE PACK	Center & Wing Decks (11 #107-0217-03 Blades)	108-1453
Groundmaster 1200	STANDARD BLADE	19"/48.3 cm	138-9029
	MEDIUM SAIL BLADE	19"/48.3 cm	137-3659-03
	HIGH SAIL BLADE	19"/48.3 cm	138-9028
	HIGH SAIL BLADE	19"/48.3 cm	137-3671-03
	ATOMIC BLADE	19"/48.3 cm	139-7799-03
	ATOMIC BLADE SERVICE PACK	19"/48.3 cm	140-0028
Groundsmaster 3000	STANDARD BLADE	72"/182.9 cm Guardian (25"/63.5 cm Blade)	85-6040-03
	STANDARD BLADE	72"/182.9 cm RD Deck (25"/63.5 cm Blade)	93-4982
	STANDARD BLADE	82"/208.3 cm Contour Deck (22"/55.9 cm Blade)	93-8409
Groundsmaster 3280D 3320	STANDARD BLADE	52"/132.1 cm SD & RD Deck (18"/45.7 cm Blade)	27-0990-03
	HIGH SAIL BLADE	52"/132.1 cm SD & RD Deck (18"/45.7 cm Blade)	44-5480
	ATOMIC BLADE	52"/132.1 cm SD & RD Deck (18"/45.7 cm Blade)	104-1301
	ATOMIC BLADE SERVICE PACK	52"/132.1 cm SD & RD Deck (6 #104-1301 Blades)	108-1477
	MEDIUM SAIL BLADE	60"/152.4 cm SD Deck (20.5"/52 cm Blade)	110-4701
	HIGH SAIL BLADE	60"/152.4 cm SD Deck (20.5"/52 cm Blade)	110-4702-03
	ATOMIC BLADE	60"/152.4 cm SD Deck (20.5"/52 cm Blade)	110-4703-03
	STANDARD BLADE	62"/157.5 cm RD & Guardian Deck (25"/55.2 cm Blade)	92-5608-03
	ATOMIC BLADE	62"/157.5 cm RD (21.75"/55.2 cm Blade)	107-0214-03
	STANDARD BLADE	72"/182.9 cm RD & Guardian Deck (24.5"/62.2 cm Blade)	121-5347-03
	MEDIUM SAIL BLADE	72"/182.9 cm SD Deck (24.5"/62.2 cm Blade)	110-0621-03
	HIGH SAIL BLADE	72"/182.9 cm SD Deck (24.5"/62.2 cm Blade)	110-0622-03
	ATOMIC BLADE	72"/182.9 cm RD & SD Deck (24.5"/62.2 cm Blade)	110-0624-03
	Groundsmaster 3500D 3505D	STANDARD BLADE	27"/68.6 cm Deck (27"/68.6 cm Blade) (2000-05)
HIGH SAIL BLADE		27"/68.6 cm Deck (27"/68.6 cm Blade) (2000-05)	104-5183
COMBINATION BLADE		27"/68.6 cm Deck (27"/68.6 cm Blade) (2006 & Up)	108-9026-03
ATOMIC BLADE		27"/68.6 cm Deck (27"/68.6 cm Blade) (2006 & Up)	107-0235-03
ATOMIC BLADE SERVICE PACK		27"/68.6 cm Deck (6 #107-0235-03 Blades)	108-1462
Groundsmaster 360	ATOMIC BLADE	72"/182.9 cm SD & Guardian Deck (24.5"/62.2 cm Blade)	110-0624-03
	MEDIUM SAIL BLADE	72"/182.9 cm SD & Guardian Deck (24.5"/62.2 cm Blade)	110-0622-03
	HIGH SAIL BLADE	100"/254 cm Deck (19"/48.3 cm Blade)	132-1319

HIGH SAIL

- Provides best quality of cut in most grass conditions.
- Preferred blade for bagging applications.

MEDIUM SAIL

- Provides better quality of cut.
- Better overall performance in most conditions.

Groundsmaster® - continued

Equipment	Description	Application	Part No.
Groundsmaster 4000D	STANDARD BLADE	132"/335.3 cm Deck (21.75"/55.2 cm Blade)	92-5608-03
	STD. BLADE SERVICE PACK	132"/335.3 cm Deck (7 #92-5608-03 Blades)	117-2722
	FLAT SAIL BLADE	132"/335.3 cm Deck (21.75"/55.2 cm Blade)	110-6115-03
	FLAT SAIL BLADE SERVICE PACK	132"/335.3 cm Deck (7 #110-6115-03 Blades)	110-6130
	MEDIUM SAIL BLADE	32"/335.3 cm Deck (21.75"/55.2 cm Blade)	136-4370-03
	MEDIUM SAIL SERVICE PACK	132"/335.3 cm (7 #136-4370-03 Blades)	137-5500
	ATOMIC BLADE	132"/335.3 cm Deck (21.75"/55.2 cm Blade)	107-0214-03
	ATOMIC BLADE SERVICE PACK	132"/335.3 cm Deck (7 #107-1214-03 Blades)	108-1450
Groundsmaster 4100D	STANDARD BLADE	124"/315.0 cm Deck (19"/48.3 cm Blade)	106-7166-03
	FLAT SAIL BLADE	124"/315.0 cm Deck (19"/48.3 cm Blade)	110-6116-03
	FLAT SAIL BLADE SERVICE PACK	124"/315.0 cm Deck (7 #110-6116-03 Blades)	110-6140
	ATOMIC BLADE	124"/315.0 cm Deck (19"/48.3 cm Blade)	107-0215-03
	ATOMIC BLADE SERVICE PACK	124"/315.0 cm Deck (7 #107-1215-03 Blades)	108-1451
Groundsmaster 4300D	COMBINATION BLADE	Contour Plus 22" Deck (22"/55.9 cm Blade)	108-7395-03
	COMBO BLADE SERVICE PACK	5 of 108-7395-03	119-6957
	HIGH SAIL BLADE	Contour Plus 22" Deck (22"/55.9 cm Blade)	114-0434-03
	ATOMIC BLADE	Contour Plus 22" Deck (22"/55.9 cm Blade)	114-0435-03
	ANGLE SAIL BLADE	Contour Plus 22" Deck (22"/55.9 cm Blade)	117-0209-03
Groundsmaster 4500D	STANDARD BLADE	27"/68.6 cm Deck (27"/68.6 cm Blade) (2002-05)	105-9810-03
	HIGH SAIL BLADE	27"/68.6 cm Deck (27"/68.6 cm Blade) (2002-05)	104-5183
	COMBINATION BLADE	27"/68.6 cm Deck (27"/68.6 cm Blade) (2006 & Up)	108-9026
	ATOMIC BLADE	27"/68.6 cm Deck (27"/68.6 cm Blade) (2006 & Up)	107-0235-03
	ATOMIC BLADE SERVICE PACK	27"/68.6 cm Deck (5 #107-0235-03 Blades)	108-1463
Groundsmaster 4700D	STANDARD BLADE	27"/68.6 cm Deck (27"/68.6 cm Blade) (2002-05)	105-9810-03
	HIGH SAIL BLADE	27"/68.6 cm Deck (27"/68.6 cm Blade) (2002-05)	104-5183
	ATOMIC BLADE	27"/68.6 cm Deck (27"/68.6 cm Blade) (2006 & Up)	107-0235-03
	ATOMIC BLADE SERVICE PACK	27"/68.6 cm Deck (7 #107-0235-03 Blades)	108-1464
	STANDARD BLADE	Center & Wing Decks (20"/50.8 cm Blade) Tier3	110-5946-03
	STD. BLADE SERVICE PACK	Center & Wing Decks (11 #110-5946-03 Blades) Tier3	115-8896
	ATOMIC BLADE	Center & Wing Decks (20"/50.8 cm Blade) Tier3	110-5948-03
	ATOMIC BLADE SERVICE PACK	Center & Wing Decks (11 #110-5948-03 Blades) Tier3	114-0897
	STANDARD BLADE	Center & Wing Decks (20"/50.8 cm Blade) Tier4	130-9151-03
	ATOMIC BLADE	Center & Wing Decks (20"/50.8 cm Blade) Tier4	132-1390-03
	ATOMIC BLADE SERVICE PACK	Center & Wing Decks (11 #132-1390-03) Tier4	132-1391
	STANDARD BLADE SERVICE PACK	Center & Wing Decks (11 #130-9151-03 Blades) Tier4	132-1392
	Groundsmaster 7200 7210	STANDARD BLADE	62"/157.5 cm Guardian (21.75"/55.2 cm Blade)
STANDARD BLADE		72"/182.9 cm Guardian (24.5"/62.2 cm Blade)	121-5347-03
MEDIUM SAIL BLADE		72"/182.9 cm SD Deck (24.5"/62.2 cm Blade)	110-0621-03
HIGH SAIL BLADE		72"/182.9 cm SD Deck (24.5"/62.2 cm Blade)	110-0622-03
ATOMIC BLADE		72"/182.9 cm SD Deck (24.5"/62.2 cm Blade)	110-0624-03
FLAT SAIL BLADE		72"/182.9 cm Guardian (24.5"/62.2 cm Blade)	112-9586-03
HIGH SAIL BLADE		100"/254 cm Deck (19"/48.3 cm Blade)	132-1319

LOW SAIL

- Low noise level.
- Lower power consumption.
- Reduced discharge velocity of clippings.

ATOMIC

- Aggressive teeth design shreds grass leaving fine mulch.

QUICK REFERENCE GUIDE

BEDKNIVES

Bedknives Reference Chart - Fairway								
Reelmaster Unit	Description	HOC Range	# of Holes	Lip Height*	Standard	EdgeMax™	Top Angle	Front Angle
3550 EdgeSeries™ Cutting Units DPA Cutting Units	18" (457 mm) Low Cut	1/4" - 1/2" (6.4 mm - 12.7 mm)	6	.220" (5.59 mm)	121-3167	137-0830 Insert	10°	5°
	18" (457 mm) Fairway Cut	3/8" and up (9.5 mm and up)	6	.270" (6.90 mm)	121-3166	137-0831 Insert	10°	5°
	22" (559 mm) Low Cut	1/4" - 1/2" (6.4 mm - 12.7 mm)	8	.220" (5.59 mm)	110-4084	137-0832 Insert	10°	5°
	22" (559 mm) Fairway Cut	3/8" and up (9.5 mm and up)	8	.270" (6.90 mm)	108-9096	137-0833 Insert	10°	5°
3555 / 3575 5010-H 5210 5410 5510 5610 6500 6700 EdgeSeries Cutting Units DPA Cutting Units	22" (559 mm) Low Cut	1/4" - 1/2" (6.4 mm - 12.7 mm)	8	.220" (5.59 mm)	110-4084	137-0832 Insert	10°	5°
	22" (559 mm) Low Cut Extended	1/4" - 1/2" (6.4 mm - 12.7 mm)	8	.220" (5.59 mm)	120-1640	119-4280 Solid	10°	10°
	22" (559 mm) Fairway Cut	3/8" and up (9.5 mm and up)	8	.270" (6.90 mm)	108-9096	137-0833 Insert	10°	5°
	22" (559 mm) Fairway Cut - Heavy Duty	1/2" and up (12.7 mm and up)	8	.370" (9.4 mm)	110-4074		10°	5°
3100 7000 EdgeSeries Cutting Units DPA Cutting Units	27" (686 mm) Fairway Cut	3/8" and up (9.5 mm and up)	10	.270" (6.90 mm)	114-9388	112-8910 Insert	10°	5°
	27" (686 mm) Low Cut Extended	1/4" - 1/2" (6.4 mm - 12.7 mm)	10	.220" (5.59 mm)	120-1641		10°	10°
	27" (686 mm) Fairway Cut - Heavy Duty	1/2" and up (12.7 mm and up)	10	.370" (9.4 mm)	114-9390		10°	5°
	32" (813 mm) Fairway Cut	3/8" and up (9.5 mm and up)	12	.270" (6.90 mm)	114-9389		10°	5°
	32" (813 mm) Low Cut Extended	1/4" - 1/2" (6.4 mm - 12.7 mm)	12	.220" (5.59 mm)	120-1642		10°	10°
	32" (813 mm) Fairway Cut - Heavy Duty	1/2" and up (12.7 mm and up)	12	.370" (9.4 mm)	114-9391		10°	5°
5 7 11 TDM (Turf-driven Mower) SPA Cutting Units	31" (787 mm) 11 Blade Reel	3/8" and up (9.5 mm and up)	11	.280" (7.11 mm)	47-6680		10	30
	31" (787 mm) 5 & 7 Blade Reel	1/2" and up (12.7 mm and up)	11	.380" (9.65 mm)	49-7660		10	30
5200 5300 5400 4-Bolt Cutting Units	21" (533 mm) Fairway Cut	3/8" and up (9.5 mm and up)	7	.270" (6.90 mm)	137-6097	137-0879 Insert	10°	10° & 5°
	21" (533 mm) Fairway Cut - Heavy Duty	1/2" and up (12.7 mm and up)	7	.345" (8.76 mm)	100-3350		10°	10°

* Service limit (worn-out condition) for all Fairway Bedknives is when the bedknife lip height is .190" (4.8 mm)

08/03/2021

For more information, contact your local Toro distributor at 800-803-8676

Bedknives Reference Chart - Greens

Greensmaster Unit	Description	HOC Range	# of Holes	Standard	EdgeMax™	Minimum Top Angle	Front Angle
800 Integral Cutting Unit Flex 18 Flex & eFlex 1800 / 1820 GR 1018	18" (457 mm) Low Cut	3/16" - 1" (4.8 mm - 25.4 mm)	11	110-2301		3°	13° + 4° - 0°
	18" (457 mm) Micro Cut	1/16" - 3/16" (1.6 mm - 4.8 mm)	11	98-7261	117-1530 Solid	3°	13° + 4° - 0°
	18" (457 mm) Micro Cut Extended*	1/16" - 3/16" (1.6 mm - 4.8 mm)	11	110-2300		7°	13° + 4° - 0°
	18" (457 mm) Micro Cut Short**	1/16" - 1" (1.6 mm - 25.4 mm)	11		139-4318 Solid	3°	13° + 4° - 0°
	18" (457 mm) Tournament Cut	1/8" - 1/2" (3.2 mm - 12.7 mm)	11	98-7260	117-1532 Solid	3°	13° + 4° - 0°
	18" (457 mm) Tournament Short**	1/8" - 1" (3.2 mm - 25.4 mm)	11		139-4319 Solid	3°	13° + 4° - 0°
1000 / 1010 / 2000 Integral Cutting Unit Flex 21 Flex 21 & eFlex 2100 / 2120 GR 1021 3000 / 3100 / 3200 / 3300 / 3400	21" (533 mm) Low Cut	3/16" - 1" (4.8 mm - 25.4 mm)	13	93-4264		3°	13° + 4° - 0°
	21" (533 mm) Micro Cut	1/16" - 3/16" (1.6 mm - 4.8 mm)	13	93-4262	115-1880 Solid	3°	13° + 4° - 0°
	21" (533 mm) Micro Cut Extended*	1/16" - 3/16" (1.6 mm - 4.8 mm)	13	108-4303		7°	13° + 4° - 0°
	21" (533 mm) Micro Cut Short**	1/16" - 1" (1.6 mm - 25.4 mm)	13		139-4320 Solid	3°	13° + 4° - 0°
	21" (533 mm) Tournament Cut	1/8" - 1/2" (3.2 mm - 12.7 mm)	13	93-4263	115-1881 Solid	3°	13° + 4° - 0°
	21" (533 mm) Tournament Cut Extended*	1/8" - 1/2" (3.2 mm - 12.7 mm)	13	108-4302		7°	13° + 4° - 0°
	21" (533 mm) Tournament Cut Short**	1/8" - 1" (3.2 mm - 25.4 mm)	13		139-4321 Solid	3°	13° + 4° - 0°
	21" (533 mm) High Cut	5/16" - 1" (7.9 mm - 25.4 mm)	13	94-6392		3°	13° + 4° - 0°
	21" (533 mm) Fairway Cut	3/8" - 1" (9.5 mm - 25.4 mm)	7	137-6097	137-0879 Insert	10°	13° + 4° - 0°
1600 / 1610 / 2600 Integral Cutting Unit GR 1026	26" (660 mm) Low Cut	3/16" - 1" (4.8 mm - 25.4 mm)	16	93-9015		3°	13° + 4° - 0°
	26" (660 mm) Micro Cut	1/16" - 3/16" (1.6 mm - 4.8 mm)	16	112-9275	139-4324 Solid	3°	13° + 4° - 0°
	26" (660 mm) Micro Cut Short**	1/16" - 1" (1.6 mm - 25.4 mm)	16		139-4322 Solid	3°	13° + 4° - 0°
	26" (660 mm) Tournament Cut	1/8" - 1/2" (3.2 mm - 12.7 mm)	16	94-5885	117-1548 Solid	3°	13° + 4° - 0°
	26" (660 mm) Tournament Short**	1/8" - 1" (3.2 mm - 25.4 mm)	16		139-4323 Solid	3°	13° + 4° - 0°
	26" (660 mm) High Cut	5/16" - 1" (7.9 mm - 25.4 mm)	16	104-2646		3°	13° + 4° - 0°
	26" (660 mm) Fairway Cut	3/8" - 1" (9.5 mm - 25.4 mm)	16	107-8181		3°	13° + 4° - 0°

* If you experience scalping with the aggressive bedbar, switch to the extended bedknives.

** For aggressive and/or higher height of cut applications.

08/03/2021

For more information, contact your local Toro distributor at 800-803-8676

QUICK REFERENCE GUIDE
REELS+™ / EDGESERIES REELS+™

Service Reel Reference Chart - Fairway

Reelmaster Unit	Reel Length	Reel Diameter	Service Limit/Life	Cutting Unit Model	Reels+™				EdgeSeries (ES) Reels+™		
					5-Blade	7-Blade	8-Blade	11-Blade	5-Blade	8-Blade	11-Blade
3550	18" (457 mm)	5" (127 mm)	4.5" (114 mm)	03911**			137-8402 RR			137-8406 RR	
				03480**							
				03485ES							
				03912**			137-8403 RR			137-8407 FSR	
				03481**							137-8407 FSR (137-8409 RR Service Only)
				03486ES							
3550 - Rear Only 3555 5010-H 5410 Low-drag DPA Units (Aluminum Side Plates)	22" (559 mm)	5" (127 mm)	4.5" (114 mm)	03913**			137-8412 RR			137-8426 RR	
				03482**							
				03634							
				03487ES							
				03621ES							
				03483**			131-3204* RR			137-8413 RR	
				03635							
				03488ES						137-8447 FSR	
				03623ES							
				03489 ES							137-8429 RR
				03624 ES							
3575 5010-H 5510 / 5610 Low-drag DPA Units (Aluminum Side Plates)	22" (559 mm)	7" (178 mm)	6.6" (165 mm)	03638 ES					133-8205* RR Service Only	137-8445 RR	
				03639 ES						137-8446 FSR	
				03641 ES						137-8447 FSR	
				03643 ES						137-8455 RR	
5210 5410 DPA Units (Red Side Plates)	22" (559 mm)	5" (127 mm)	4.5" (114 mm)	03661			137-8416 RR			137-8422 RR	
				03694							
				03695			137-8417 RR			137-8423 FSR	
5510 5610 6500 6700 DPA Units (Red Side Plates)	22" (559 mm)	7" (178 mm)	6.6" (168 mm)	03681			137-8432 RR		137-8437 RR Service Only	137-8438 RR	
				03863							
				03696							
				03698							
				03864					137-8433 RR		137-8439 FSR
				03682							
				03697							
03699											
				03693 ES							
3100 7000 Low-drag DPA Units (Aluminum Side Plates)	27" (686 mm)	7" (178 mm)	6.6" (168 mm)	03188 ES					137-8469 RR		
				03189 ES							
				03192 ES						137-8470 RR	
					03721 ES						
					03190 ES						133-8278* RR
					03722 ES						
	32" (813 mm)	7" (178 mm)	6.6" (168 mm)	03191 ES					137-8482 RR Service Only	137-8483 RR	
				03727 ES							
3100 7000 DPA Units (Red Side Plates)	27" (686 mm)	7" (178 mm)	6.6" (168 mm)	03180	137-8459 RR						
				03710			137-8460 RR			137-8464 RR	
				03181							
					03183			137-8461 RR			133-8271* RR
					03711						
	32" (813 mm)	7" (178 mm)	6.6" (168 mm)	03182	137-8476 Service Only		137-8477 RR			133-8273* RR	
				03712							
5 7 11 TDM (Turf-driven Mower) SPA Units	30" (762 mm)	8" (203 mm)	7.6" (193 mm)	01005	130-0075* RR						
				01007			130-0071* RR				
				01011					130-0081* RR		
5200 5300 5400 4 Bolt Units	21" (533 mm)	5" (127 mm)	4.5" (114 mm)	03527	130-0088* RR						
				03506							
				03509			130-0093* RR				
				03528							
6500 6700 SPA Units	22" (559 mm)	7" (178 mm)	6.6" (168 mm)	03860	137-8451 RR						
				03861			137-8452 RR				
				03862					137-8453 RR		

*Reels+ / EdgeSeries Reels+ not available

**Thinner Greens Blade

1.) Reel blade relief grind angle for all reels: 30° +/- 5°

2.) Fairway relief grinding required when land width is greater than 0.125" (3.2 mm)

3.) Maximum allowed taper on all reels is .010" (.2 mm)

For more information, contact your local Toro distributor at 800-803-8676

RR: Radial Reel

FSR: Forward Swept Reel

08/03/2021

Service Reel Reference Chart - Greens											
Greensmaster Unit	Reel Length	Reel Diameter	Service Limit/Life	Cutting Unit Model	Reels+				EdgeSeries (ES) Reels+™		
					5-Blade HD	8-Blade	11-Blade	14-Blade	8-Blade	11-Blade	14-Blade
Flex & eFlex 1800 / 1820 (2012 & newer) GR 1018	18" (457 mm)	5" (127 mm)	4.5" (114 mm)	04253			127-2164*			137-8522	
				04254						137-8523	
				04289 ES					132-8522		
				04823 ES							
				04291 ES						137-8523	
Flex 18 (2011 & older)	18" (457 mm)	5" (127 mm)	4.5" (114 mm)	04206			127-2156*				
				04207						137-8566*	
800 Integral Cutting Unit	18" (457 mm)	5" (127 mm)	4.5" (114 mm)	04054 ES			127-2160* Service Only			132-7353* Service Only	132-7354*
Flex & eFlex 2100 / 2120 (2012 & newer) GR 1021	21" (533 mm)	5" (127 mm)	4.5" (114 mm)	04832 ES					137-8511		
				04251						137-8512	
				04833 ES							
				04290 ES							
				04252						137-8513	
Flex 21 (2011 & older)	21" (533 mm)	5" (127 mm)	4.5" (114 mm)	04200		127-2174*				137-8570*	
				04202		Service Only					
				04208						137-8574*	
1000 / 1010 / 2000 Integral Cutting Unit	21" (533 mm)	5" (127 mm)	4.5" (114 mm)	04055 ES					132-7312*		
				04034							
				04036					132-7313*	132-7314* Service Only	
				04052							
GR 1026	26" (660 mm)	5" (127 mm)	4.5" (114 mm)	04842 ES					138-5753		
				04843 ES						138-5755	
1600 / 1610 / 2600 Integral Cutting Unit	26" (660 mm)	5" (127 mm)	4.5" (114 mm)	04035					132-7361*		
				04060							
				04056 ES							
				04037						132-7362*	
3000 / 3100 / 3200 / 3300 / 3400 Low-drag DPA Seal Cutting Unit (2012 & newer)	21" (533 mm)	5" (127 mm)	4.5" (114 mm)	04613		HD: 137-8517 Service Only			137-8511		
				04618							
				04651 ES							
				04652 ES							
				04614						137-8512	
				04619							
				04653 ES							
04654 ES											
3000 / 3100 / 3200 DPA Cutting Units (2011 & older)	21" (533 mm)	5" (127 mm)	4.5" (114 mm)	04615						137-8513	
				04624							
				04655 ES							
				04656 ES							
3000 / 3100 / 3200 DPA Cutting Units (2011 & older)	21" (533 mm)	5" (127 mm)	4.5" (114 mm)	04610		HD: 137-8505* Service Only			137-8495*		
				04611	131-2013* Service Only					137-8496*	
				04616						137-8497*	

*Reels+ / EdgeSeries Reels+ not available

- 1.) Reel blade relief grind angle for all reels: 30° +/- 10°
- 2.) Relief grinding required when land width is greater than .100" (2.5 mm)
- 3.) Maximum allowed taper on all reels is .010" (.2 mm)
- 4.) EdgeSeries Reels standard on 2016 models and newer

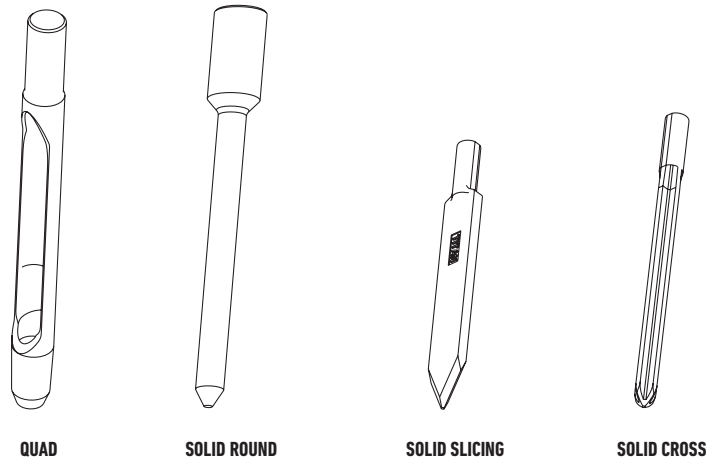
HD: Heavy Duty

ES: EdgeSeries™ Cutting Unit

08/03/2021

QUICK REFERENCE GUIDE

TINES



ProCore 440 / 660 / 880 Tines – 3/8" Mount

Part No.	Description	Qty.
QUAD		
108-9104	TITAN QUAD, 3/8" MOUNT (4.50" X .36", .25")	A/R
108-9112	TITAN QUAD MAX, 3/8" MOUNT (4.50" X .36", .25")	A/R
108-9105	TITAN QUAD, 3/8" MOUNT (4.50" X .46", .32")	A/R
108-9114	TITAN QUAD MAX, 3/8" MOUNT (4.50" X .46", .32")	A/R
108-9106	TITAN QUAD, 3/8" MOUNT (4.50" X .55", .41")	A/R
108-9116	TITAN QUAD MAX, 3/8" MOUNT (4.50" X .58", .38")	A/R
108-9293	TITAN QUAD, 3/8" MOUNT (4.50" X .58", .48")	A/R
108-9108	TITAN QUAD, 3/8" MOUNT (5.00" X .36", .25")	A/R
108-9120	TITAN QUAD MAX, 3/8" MOUNT (5.00" X .38", .23")	A/R
108-9109	TITAN QUAD, 3/8" MOUNT (5.00" X .46", .32")	A/R
108-9122	TITAN QUAD MAX, 3/8" MOUNT (5.00" X .48", .28")	A/R
108-9110	TITAN QUAD, 3/8" MOUNT (5.00" X .55", .41")	A/R
137-6527	TITAN QUAD, 3/8" MOUNT (5.00" X .55", .41")	A/R
108-9124	TITAN QUAD MAX, 3/8" MOUNT (5.00" X .58", .38")	A/R
108-9294	TITAN QUAD, 3/8" MOUNT (5.00" X .58", .48")	A/R
137-6529	TITAN QUAD, 3/8" MOUNT (5.00" X .58", .48")	A/R
108-9290	TITAN QUAD, 3/8" MOUNT (5.50" X .55", .41")	A/R
SOLID ROUND		
108-9230	TITAN SOLID ROUND, 3/8" MOUNT (4.50" X .20")	A/R
108-9231	TITAN SOLID ROUND, 3/8" MOUNT (4.50" X .25")	A/R
108-9232	TITAN SOLID ROUND, 3/8" MOUNT (4.50" X .30")	A/R
108-9233	TITAN SOLID ROUND, 3/8" MOUNT (4.50" X .38")	A/R
108-9234	TITAN SOLID ROUND, 3/8" MOUNT (5.50" X .20")	A/R
108-9235	TITAN SOLID ROUND, 3/8" MOUNT (5.50" X .25")	A/R
108-9236	TITAN SOLID ROUND, 3/8" MOUNT (5.50" X .30")	A/R
108-9237	TITAN SOLID ROUND, 3/8" MOUNT (5.50" X .38")	A/R
SOLID SLICING		
108-9238	TITAN SOLID SLICING, 3/8" MOUNT (5.00" X .63")	A/R
SOLID CROSS		
108-9215	TITAN CROSS, 3/8" MOUNT (4.50" X .38")	A/R
108-9216	TITAN CROSS, 3/8" MOUNT (4.50" X .50")	A/R
112-1310	TITAN CROSS MAX, 3/8" MOUNT (4.50" X .50")	A/R
108-9217	TITAN CROSS, 3/8" MOUNT (4.50" X .62")	A/R
108-9218	TITAN CROSS, 3/8" MOUNT (5.50" X .38")	A/R
108-9219	TITAN CROSS, 3/8" MOUNT (5.50" X .50")	A/R
112-1311	TITAN CROSS MAX, 3/8" MOUNT (5.50" X .50")	A/R
108-9220	TITAN CROSS, 3/8" MOUNT (5.50" X .62")	A/R

ProCore 440 / 660 / 880 Tines – 3/4" Mount

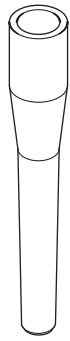
Part No.	Description	Qty.
HOLLOW		
108-9128	TITAN HOLLOW, 3/4" MOUNT (4.75" X .46", .28")	A/R
108-9139	TITAN HOLLOW MAX, 3/4" MOUNT (4.75" X .46", .28")	A/R
108-9129	TITAN HOLLOW, 3/4" MOUNT (4.75" X .56", .41")	A/R
108-9141	TITAN HOLLOW MAX, 3/4" MOUNT (4.75" X .56", .38")	A/R
108-9130	TITAN HOLLOW, 3/4" MOUNT (4.75" X .66", .53")	A/R
108-9143	TITAN HOLLOW MAX, 3/4" MOUNT (4.75" X .66", .48")	A/R
108-9132	TITAN HOLLOW, 3/4" MOUNT (5.75" X .46", .28")	A/R
108-9133	TITAN HOLLOW, 3/4" MOUNT (5.75" X .56", .41")	A/R
108-9147	TITAN HOLLOW MAX, 3/4" MOUNT (5.75" X .56", .38")	A/R
108-9134	TITAN HOLLOW, 3/4" MOUNT (5.75" X .66", .53")	A/R
108-9149	TITAN HOLLOW MAX, 3/4" MOUNT (5.75" X .66", .48")	A/R
114-0551	TITAN HOLLOW EXT. TAPER, 3/4" MOUNT (5.75" X .66", .53")	A/R
114-0553	TITAN HOLLOW EXT. TAPER MAX, 3/4" MOUNT (5.75" X .68", .47")	A/R
66-9140	CLASSIC HOLLOW, 3/4" MOUNT (4.75" X .50", .40")	A/R
59-3670	CLASSIC HOLLOW, 3/4" MOUNT (4.75" X .63", .50")	A/R
104-0984	CLASSIC HOLLOW, 3/4" MOUNT (5.75" X .63", .51")	A/R
SIDE EJECT		
108-9159	TITAN SIDE EJECT, 3/4" MOUNT (4.75" X .46", .28")	A/R
108-9170	TITAN SIDE EJECT MAX, 3/4" MOUNT (4.75" X .46", .28")	A/R
108-9160	TITAN SIDE EJECT, 3/4" MOUNT (4.75" X .56", .41")	A/R
108-9172	TITAN SIDE EJECT MAX, 3/4" MOUNT (4.75" X .56", .38")	A/R
108-9161	TITAN SIDE EJECT, 3/4" MOUNT (4.75" X .66", .53")	A/R
108-9174	TITAN SIDE EJECT MAX, 3/4" MOUNT (4.75" X .66", .48")	A/R
108-9163	TITAN SIDE EJECT, 3/4" MOUNT (5.75" X .46", .28")	A/R
108-9176	TITAN SIDE EJECT MAX, 3/4" MOUNT (5.75" X .46", .28")	A/R
108-9164	TITAN SIDE EJECT, 3/4" MOUNT (5.75" X .56", .41")	A/R
108-9178	TITAN SIDE EJECT MAX, 3/4" MOUNT (5.75" X .56", .38")	A/R
108-9165	TITAN SIDE EJECT, 3/4" MOUNT (5.75" X .66", .53")	A/R
108-9180	TITAN SIDE EJECT MAX, 3/4" MOUNT (5.75" X .66", .48")	A/R
114-0555	TITAN SIDE EJECT EXT. TAPER, 3/4" MOUNT (5.75" X .66", .53")	A/R
114-0557	TITAN SIDE EJECT EXT. TAPER MAX, 3/4" MOUNT (5.75" X .66", .47")	A/R
108-9260	HD FAIRWAY, 3/4" MOUNT (5.75" X .77", .51")	A/R
108-9261	HD FAIRWAY, 3/4" MOUNT (5.75" X .88", .51")	A/R
104-9876	FAIRWAY, 3/4" MOUNT (5.75" X .77", .51")	A/R
104-9875	FAIRWAY, 3/4" MOUNT (5.75" X .88", .51")	A/R
SOLID ROUND		
108-9198	TITAN SOLID ROUND, 3/4" MOUNT (4.50" X .25")	A/R
108-9199	TITAN SOLID ROUND, 3/4" MOUNT (4.50" X .30")	A/R
108-9200	TITAN SOLID ROUND, 3/4" MOUNT (4.50" X .35")	A/R
108-9201	TITAN SOLID ROUND, 3/4" MOUNT (4.50" X .40")	A/R
108-9202	TITAN SOLID ROUND, 3/4" MOUNT (4.50" X .50")	A/R
108-9203	TITAN SOLID ROUND, 3/4" MOUNT (4.50" X .60")	A/R
108-9204	TITAN SOLID ROUND, 3/4" MOUNT (5.50" X .25")	A/R
108-9205	TITAN SOLID ROUND, 3/4" MOUNT (5.50" X .30")	A/R
108-9206	TITAN SOLID ROUND, 3/4" MOUNT (5.50" X .35")	A/R
108-9207	TITAN SOLID ROUND, 3/4" MOUNT (5.50" X .40")	A/R
108-9208	TITAN SOLID ROUND, 3/4" MOUNT (5.50" X .50")	A/R
108-9209	TITAN SOLID ROUND, 3/4" MOUNT (5.50" X .60")	A/R
108-9244	TITAN SOLID ROUND, 3/4" MOUNT (5.50" X .75")	A/R
SOLID SLICING		
108-9239	TITAN SOLID SLICING, 3/4" MOUNT (4.50" X .75")	A/R
108-9240	TITAN SOLID SLICING, 3/4" MOUNT (5.50" X .75")	A/R

QUICK REFERENCE GUIDE

TINES

ProCore 440 / 660 / 880 Tines – 3/4" Mount - continued

Part No.	Description	Qty.
SOLID CROSS		
108-9221	TITAN CROSS, 3/4" MOUNT (4.50" X .50")	A/R
108-9223	TITAN CROSS, 3/4" MOUNT (4.50" X .75")	A/R
108-9224	TITAN CROSS, 3/4" MOUNT (5.50" X .50")	A/R
112-1313	TITAN CROSS MAX, 3/4" MOUNT (5.50" X .50")	A/R
108-9226	TITAN CROSS, 3/4" MOUNT (5.50" X .75")	A/R



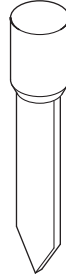
HOLLOW



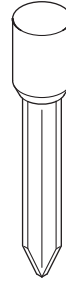
SIDE EJECT



SOLID ROUND



SOLID SLICING



SOLID CROSS



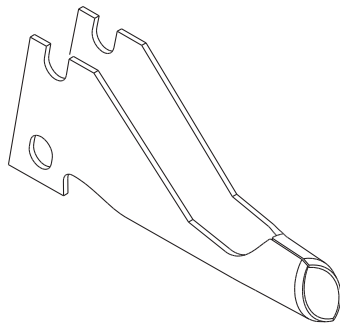
SOLID NEEDLE

ProCore 440 / 660 / 880 Tines – 7/8" and Needle Mount

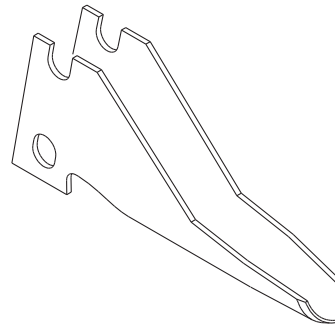
Part No.	Description	Qty.
HOLLOW		
108-9190	TITAN HOLLOW, 7/8" MOUNT (4.75" X .66", .51")	A/R
108-9191	TITAN HOLLOW, 7/8" MOUNT (4.75" X .76", .63")	A/R
108-9192	TITAN HOLLOW, 7/8" MOUNT (5.75" X .66", .51")	A/R
108-9193	TITAN HOLLOW, 7/8" MOUNT (5.75" X .76", .63")	A/R
62-4600	CLASSIC HOLLOW, 7/8" MOUNT (4.75" X .75", .60")	A/R
86-9720	CLASSIC HOLLOW, 7/8" MOUNT (5.75" X .75", .60")	A/R
SIDE EJECT		
108-9194	TITAN SIDE EJECT, 7/8" MOUNT (4.75" X .66", .51")	A/R
108-9195	TITAN SIDE EJECT, 7/8" MOUNT (4.75" X .76", .63")	A/R
108-9196	TITAN SIDE EJECT, 7/8" MOUNT (5.75" X .66", .51")	A/R
108-9188	TITAN SIDE EJECT MAX, 7/8" MOUNT (5.75" X .66", .48")	A/R
108-9197	TITAN SIDE EJECT, 7/8" MOUNT (5.75" X .76", .63")	A/R
108-9264	TITAN HD FAIRWAY, 7/8" MOUNT (5.75" X .88", .64")	A/R
108-9265	TITAN HD FAIRWAY, 7/8" MOUNT (5.75" X 1.0", .64")	A/R
92-7900	FAIRWAY, 7/8" MOUNT (5.75" X .88", .64")	A/R
104-9877	FAIRWAY, 7/8" MOUNT (5.75" X 1.0", .64")	A/R
SOLID ROUND		
108-9246	TITAN SOLID ROUND, 7/8" MOUNT (5.50" X .75")	A/R
108-9247	TITAN SOLID ROUND, 7/8" MOUNT (5.50" X .88")	A/R

ProCore 440 / 660 / 880 Tines – 7/8" and Needle Mount - continued

	Part No.	Description	Qty.
SOLID SLICING			
	108-9242	TITAN SOLID SLICING, 7/8" MOUNT (5.50" X .75")	A/R
SOLID CROSS			
	108-9259	TITAN CROSS, 7/8" MOUNT (5.50" X .88")	A/R
SOLID NEEDLE			
	100-3620*	TITAN SOLID NEEDLE 3/16" X 6.43"	A/R
	100-3621*	TITAN SOLID NEEDLE 5/16" X 7.38"	A/R



CLOSED SPOON



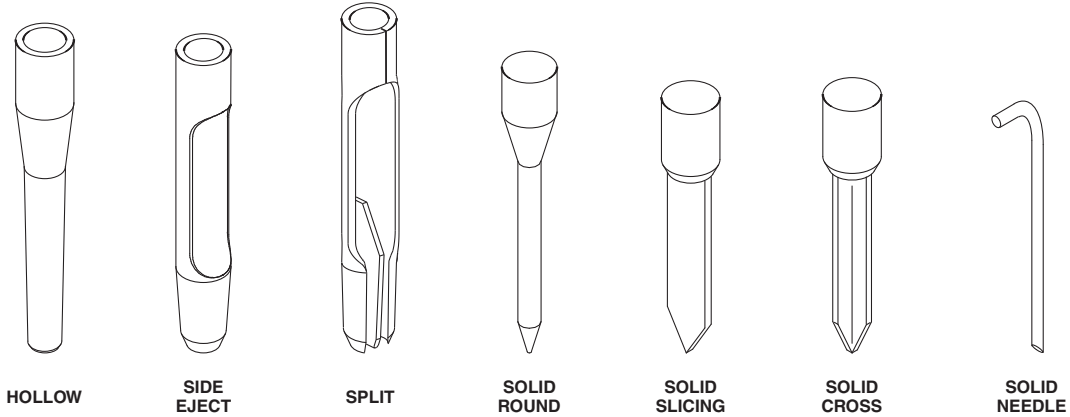
OPEN SPOON

Turf Aerator 686 / 687 Tines

	Part No.	Description	Qty.
CLOSED SPOON			
	01-283-0050	ORDER 108-9297	A/R
	108-9297	1/2" SPOON TINE CLOSED (686/687)	A/R
	01-283-0060	ORDER 108-9299	A/R
	108-9299	3/4" SPOON TINE CLOSED (686/687)	A/R
OPEN SPOON			
	01-283-0070	ORDER 108-9296	A/R
	108-9296	1/2" SPOON TINE OPEN (686/687)	A/R
	01-283-0080	ORDER 108-9298	A/R
	108-9298	3/4" SPOON TINE OPEN (686/687)	A/R
	01-283-0030	4" SLICING BLADE (686/687)	A/R
	01-283-0040	SLICING BLADE (686/687)	A/R

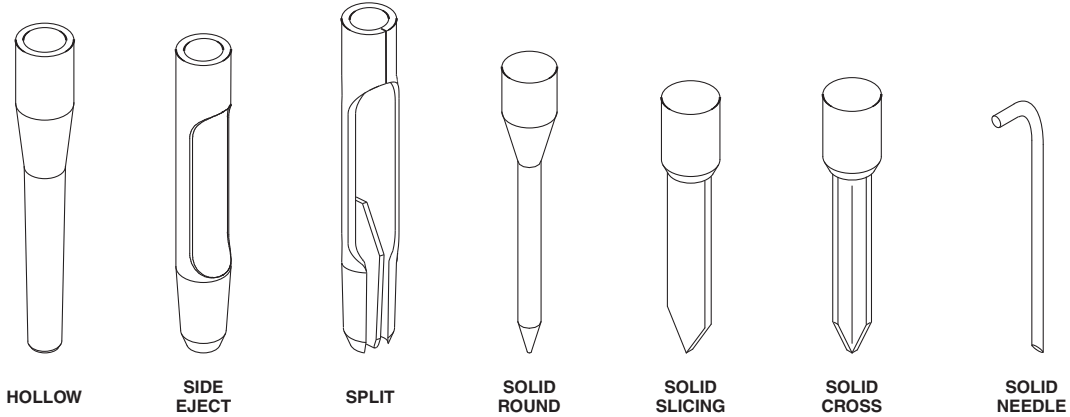
QUICK REFERENCE GUIDE

TINES



ProCore 648 / 864 / 1298 Tines – 3/8" Mount

Part No.	Description	Qty.
QUAD		
108-9104	TITAN QUAD, 3/8" MOUNT (4.50" X .36", .25")	A/R
108-9112	TITAN QUAD MAX, 3/8" MOUNT (4.50" X .38", .23")	A/R
108-9105	TITAN QUAD, 3/8" MOUNT (4.50" X .46", .32")	A/R
108-9114	TITAN QUAD MAX, 3/8" MOUNT (4.50" X .46", .28")	A/R
108-9106	TITAN QUAD, 3/8" MOUNT (4.50" X .55", .41")	A/R
108-9116	TITAN QUAD MAX, 3/8" MOUNT (4.50" X .58", .38")	A/R
108-9293	TITAN QUAD, 3/8" MOUNT (4.50" X .58", .48")	A/R
108-9108	TITAN QUAD, 3/8" MOUNT (5.00" X .36", .25")	A/R
138-5937	TITAN QUAD, 3/8" MOUNT (5.00" X .36", .25")	
108-9120	TITAN QUAD MAX, 3/8" MOUNT (5.00" X .38", .23")	A/R
108-9109	TITAN QUAD, 3/8" MOUNT (5.00" X .46", .32")	A/R
108-9122	TITAN QUAD MAX, 3/8" MOUNT (5.00" X .48", .28")	A/R
108-9110	TITAN QUAD, 3/8" MOUNT (5.00" X .55", .41")	A/R
108-9124	TITAN QUAD MAX, 3/8" MOUNT (5.00" X .58", .38")	A/R
108-9294	TITAN QUAD, 3/8" MOUNT (5.00" X .58", .48")	A/R
137-6529	TITAN QUAD, 3/8" MOUNT (5.00" X .58", .48")	
108-9290	TITAN QUAD, 3/8" MOUNT (5.50" X .55", .41")	A/R
SOLID ROUND		
108-9230	TITAN SOLID ROUND, 3/8" MOUNT (4.50" X .20")	A/R
108-9231	TITAN SOLID ROUND, 3/8" MOUNT (4.50" X .25")	A/R
108-9232	TITAN SOLID ROUND, 3/8" MOUNT (4.50" X .30")	A/R
108-9233	TITAN SOLID ROUND, 3/8" MOUNT (4.50" X .38")	A/R
108-9234	TITAN SOLID ROUND, 3/8" MOUNT (5.50" X .20")	A/R
108-9235	TITAN SOLID ROUND, 3/8" MOUNT (5.50" X .25")	A/R
108-9236	TITAN SOLID ROUND, 3/8" MOUNT (5.50" X .30")	A/R
108-9237	TITAN SOLID ROUND, 3/8" MOUNT (5.50" X .38")	A/R
SOLID SLICING		
108-9238	TITAN SOLID SLICING, 3/8" MOUNT (5.00" X .63")	A/R
SOLID CROSS		
108-9215	TITAN CROSS, 3/8" MOUNT (4.50" X .38")	A/R
108-9216	TITAN CROSS, 3/8" MOUNT (4.50" X .50")	A/R
112-1310	TITAN CROSS MAX, 3/8" MOUNT (4.50" X .50")	A/R
108-9217	TITAN CROSS, 3/8" MOUNT (4.50" X .62")	A/R
108-9218	TITAN CROSS, 3/8" MOUNT (5.50" X .38")	A/R
108-9219	TITAN CROSS, 3/8" MOUNT (5.50" X .50")	A/R
112-1311	TITAN CROSS MAX, 3/8" MOUNT (5.50" X .50")	A/R
108-9220	TITAN CROSS, 3/8" MOUNT (5.50" X .62")	A/R



ProCore 648 / 864 / 1298 Tines – 3/4" Mount

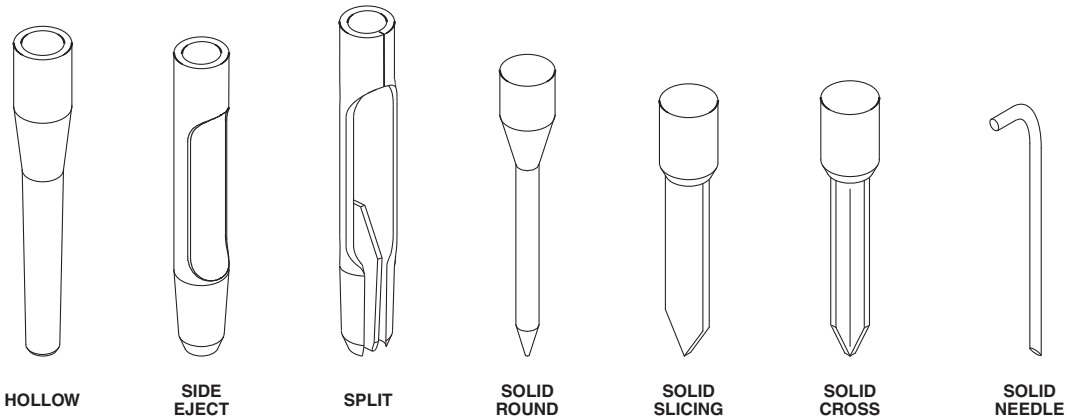
Part No.	Description	Qty.
<i>HOLLOW</i>		
108-9128	TITAN HOLLOW, 3/4" MOUNT (4.75" X .46", .28")	A/R
108-9139	TITAN HOLLOW MAX, 3/4" MOUNT (4.75" X .46", .28")	A/R
108-9129	TITAN HOLLOW, 3/4" MOUNT (4.75" X .56", .41")	A/R
108-9141	TITAN HOLLOW MAX, 3/4" MOUNT (4.75" X .56", .38")	A/R
108-9130	TITAN HOLLOW, 3/4" MOUNT (4.75" X .66", .53")	A/R
108-9143	TITAN HOLLOW MAX, 3/4" MOUNT (4.75" X .66", .48")	A/R
108-9132	TITAN HOLLOW, 3/4" MOUNT (5.75" X .46", .28")	A/R
108-9133	TITAN HOLLOW, 3/4" MOUNT (5.75" X .56", .41")	A/R
108-9147	TITAN HOLLOW MAX, 3/4" MOUNT (5.75" X .56", .38")	A/R
108-9134	TITAN HOLLOW, 3/4" MOUNT (5.75" X .66", .53")	A/R
108-9149	TITAN HOLLOW MAX, 3/4" MOUNT (5.75" X .66", .48")	A/R
108-9138	TITAN HOLLOW, 3/4" MOUNT (6.50" X .46", .28")	A/R
108-9135	TITAN HOLLOW MAX, 3/4" MOUNT (6.50" X .46", .28")	A/R
108-9136	TITAN HOLLOW, 3/4" MOUNT (6.50" X .56", .41")	A/R
108-9151	TITAN HOLLOW MAX, 3/4" MOUNT (6.50" X .56", .38")	A/R
108-9137	TITAN HOLLOW, 3/4" MOUNT (6.50" X .66", .53")	A/R
108-9153	TITAN HOLLOW MAX, 3/4" MOUNT (6.50" X .66", .48")	A/R
114-0551	TITAN HOLLOW EXT. TAPER, 3/4" MOUNT (5.75" X .66", .53")	A/R
114-0553	TITAN HOLLOW EXT. TAPER MAX, 3/4" MOUNT (5.75" X .66", .47")	A/R
114-0550	TITAN HOLLOW EXT. TAPER, 3/4" MOUNT (6.50" X .66", .53")	A/R
66-9140	CLASSIC HOLLOW, 3/4" MOUNT (4.75" X .50", .40")	A/R
59-3670	CLASSIC HOLLOW, 3/4" MOUNT (4.75" X .63", .50")	A/R
104-0984	CLASSIC HOLLOW, 3/4" MOUNT (5.75" X .63", .51")	A/R
105-1180	CLASSIC HOLLOW, 3/4" MOUNT (6.50" X .66", .39")	A/R
<i>SIDE EJECT</i>		
108-9159	TITAN SIDE EJECT, 3/4" MOUNT (4.75" X .46", .28")	A/R
108-9170	TITAN SIDE EJECT MAX, 3/4" MOUNT (4.75" X .46", .28")	A/R
108-9160	TITAN SIDE EJECT, 3/4" MOUNT (4.75" X .56", .41")	A/R
108-9172	TITAN SIDE EJECT MAX, 3/4" MOUNT (4.75" X .56", .38")	A/R
108-9161	TITAN SIDE EJECT, 3/4" MOUNT (4.75" X .66", .53")	A/R
108-9174	TITAN SIDE EJECT MAX, 3/4" MOUNT (4.75" X .66", .48")	A/R
108-9163	TITAN SIDE EJECT, 3/4" MOUNT (5.75" X .46", .28")	A/R
108-9176	TITAN SIDE EJECT MAX, 3/4" MOUNT (5.75" X .46", .28")	A/R
108-9164	TITAN SIDE EJECT, 3/4" MOUNT (5.75" X .56", .41")	A/R
108-9178	TITAN SIDE EJECT MAX, 3/4" MOUNT (5.75" X .56", .38")	A/R

QUICK REFERENCE GUIDE

TINES

ProCore 648 / 864 / 1298 Tines – 3/4" Mount - continued

Part No.	Description	Qty.
SIDE EJECT		
108-9165	TITAN SIDE EJECT, 3/4" MOUNT (5.75" X .66", .53")	A/R
108-9180	TITAN SIDE EJECT MAX, 3/4" MOUNT (5.75" X .66", .48")	A/R
108-9162	TITAN SIDE EJECT, 3/4" MOUNT (6.50" X .46", .28")	A/R
108-9166	TITAN SIDE EJECT MAX, 3/4" MOUNT (6.50" X .46", .28")	A/R
108-9167	TITAN SIDE EJECT, 3/4" MOUNT (6.50" X .56", .41")	A/R
108-9182	TITAN SIDE EJECT MAX, 3/4" MOUNT (6.50" X .56", .38")	A/R
108-9168	TITAN SIDE EJECT, 3/4" MOUNT (6.50" X .66", .53")	A/R
108-9184	TITAN SIDE EJECT MAX, 3/4" MOUNT (6.50" X .66", .48")	A/R
114-0555	TITAN SIDE EJECT EXT. TAPER, 3/4" MOUNT (5.75" X .66", .53")	A/R
114-0557	TITAN SIDE EJECT EXT. TAPER MAX, 3/4" MOUNT (5.75" X .66", .47")	A/R
114-0558	TITAN SIDE EJECT EXT. TAPER, 3/4" MOUNT (6.50" X .66", .53")	A/R
114-0560	TITAN SIDE EJECT EXT. TAPER MAX, 3/4" MOUNT (6.50" X .66", .47")	A/R
108-9260	HD FAIRWAY, 3/4" MOUNT (5.75" X .77", .51")	A/R
108-9261	HD FAIRWAY, 3/4" MOUNT (5.75" X .88", .51")	A/R
104-9876	FAIRWAY, 3/4" MOUNT (5.75" X .77", .51")	A/R
104-9875	FAIRWAY, 3/4" MOUNT (5.75" X .88", .51")	A/R
SPLIT		
112-5122	TITAN SPLIT, 3/4" MOUNT (5.75" X .88", .51")	A/R
SOLID ROUND		
77-5320	TITAN SOLID ROUND, 3/4" MOUNT (3.25" X .313")	A/R
108-9198	TITAN SOLID ROUND, 3/4" MOUNT (4.50" X .25")	A/R
108-9199	TITAN SOLID ROUND, 3/4" MOUNT (4.50" X .30")	A/R
108-9200	TITAN SOLID ROUND, 3/4" MOUNT (4.50" X .35")	A/R
108-9201	TITAN SOLID ROUND, 3/4" MOUNT (4.50" X .40")	A/R
108-9202	TITAN SOLID ROUND, 3/4" MOUNT (4.50" X .50")	A/R
108-9203	TITAN SOLID ROUND, 3/4" MOUNT (4.50" X .60")	A/R
108-9204	TITAN SOLID ROUND, 3/4" MOUNT (5.50" X .25")	A/R
108-9205	TITAN SOLID ROUND, 3/4" MOUNT (5.50" X .30")	A/R
108-9206	TITAN SOLID ROUND, 3/4" MOUNT (5.50" X .35")	A/R
108-9207	TITAN SOLID ROUND, 3/4" MOUNT (5.50" X .40")	A/R
108-9208	TITAN SOLID ROUND, 3/4" MOUNT (5.50" X .50")	A/R
108-9209	TITAN SOLID ROUND, 3/4" MOUNT (5.50" X .60")	A/R
108-9244	TITAN SOLID ROUND, 3/4" MOUNT (5.50" X .75")	A/R
108-9210	TITAN SOLID ROUND, 3/4" MOUNT (6.50" X .30")	A/R
108-9211	TITAN SOLID ROUND, 3/4" MOUNT (6.50" X .35")	A/R
108-9212	TITAN SOLID ROUND, 3/4" MOUNT (6.50" X .40")	A/R
108-9213	TITAN SOLID ROUND, 3/4" MOUNT (6.50" X .50")	A/R
108-9214	TITAN SOLID ROUND, 3/4" MOUNT (6.50" X .60")	A/R
108-9245	TITAN SOLID ROUND, 3/4" MOUNT (6.50" X .75")	A/R
SOLID SLICING		
108-9239	TITAN SOLID SLICING, 3/4" MOUNT (4.50" X .75")	A/R
108-9240	TITAN SOLID SLICING, 3/4" MOUNT (5.50" X .75")	A/R
108-9241	TITAN SOLID SLICING, 3/4" MOUNT (6.50" X .75")	A/R
SOLID CROSS		
108-9221	TITAN CROSS, 3/4" MOUNT (4.50" X .50")	A/R
108-9223	TITAN CROSS, 3/4" MOUNT (4.50" X .75")	A/R
108-9224	TITAN CROSS, 3/4" MOUNT (5.50" X .50")	A/R
112-1313	TITAN CROSS MAX, 3/4" MOUNT (5.50" X .50")	A/R
108-9226	TITAN CROSS, 3/4" MOUNT (5.50" X .75")	A/R
108-9227	TITAN CROSS, 3/4" MOUNT (6.50" X .50")	A/R
112-1314	TITAN CROSS MAX, 3/4" MOUNT (6.50" X .50")	A/R
108-9228	TITAN CROSS, 3/4" MOUNT (6.50" X .62")	A/R
108-9229	TITAN CROSS, 3/4" MOUNT (6.50" X .75")	A/R

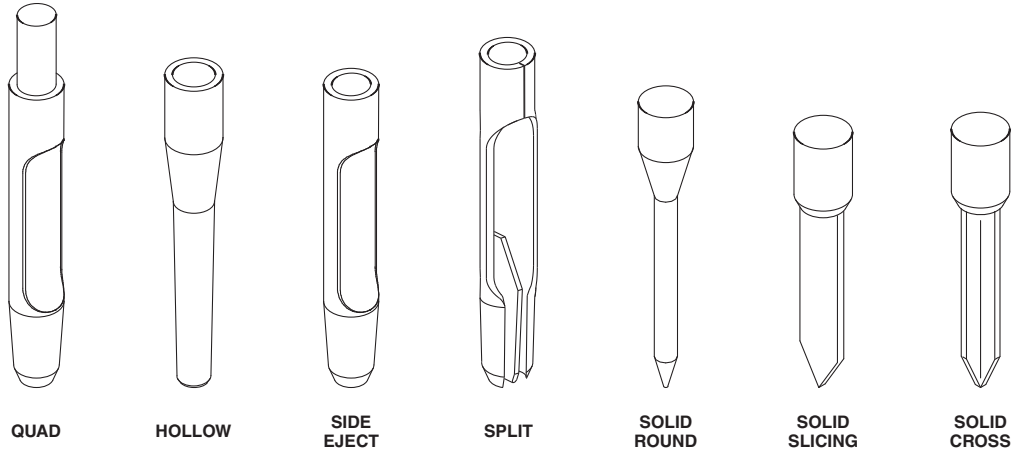


ProCore 648 / 864 / 1298 Tines – 7/8" and Needle Mount

	Part No.	Description	Qty.
HOLLOW			
	108-9190	TITAN HOLLOW, 7/8" MOUNT (4.75" X .66", .51")	A/R
	108-9191	TITAN HOLLOW, 7/8" MOUNT (4.75" X .76", .63")	A/R
	108-9192	TITAN HOLLOW, 7/8" MOUNT (5.75" X .66", .51")	A/R
	108-9193	TITAN HOLLOW, 7/8" MOUNT (5.75" X .76", .63")	A/R
	62-4600	CLASSIC HOLLOW, 7/8" MOUNT (4.75" X .75", .60")	A/R
	86-9720	CLASSIC HOLLOW, 7/8" MOUNT (5.75" X .75", .60")	A/R
SIDE EJECT			
	108-9194	TITAN SIDE EJECT, 7/8" MOUNT (4.75" X .66", .51")	A/R
	108-9195	TITAN SIDE EJECT, 7/8" MOUNT (4.75" X .76", .63")	A/R
	108-9196	TITAN SIDE EJECT, 7/8" MOUNT (5.75" X .66", .51")	A/R
	108-9188	TITAN SIDE EJECT MAX, 7/8" MOUNT (5.75" X .66", .48")	A/R
	108-9197	TITAN SIDE EJECT, 7/8" MOUNT (5.75" X .76", .63")	A/R
	108-9264	TITAN HD FAIRWAY, 7/8" MOUNT (5.75" X .88", .64")	A/R
	108-9265	TITAN HD FAIRWAY, 7/8" MOUNT (5.75" X 1.0", .64")	A/R
	92-7900	FAIRWAY, 7/8" MOUNT (5.75" X .88", .64")	A/R
	104-9877	FAIRWAY, 7/8" MOUNT (5.75" X 1.0", .64")	A/R
SPLIT			
	112-5121	TITAN SPLIT, 7/8" MOUNT (5.75" X .88", .64")	A/R
	112-5123	TITAN SPLIT, 3/4" MOUNT (5.75" X .92", .64")	A/R
SOLID ROUND			
	108-9246	TITAN SOLID ROUND, 7/8" MOUNT (5.50" X .75")	A/R
	108-9247	TITAN SOLID ROUND, 7/8" MOUNT (5.50" X .88")	A/R
	108-9248	TITAN SOLID ROUND, 7/8" MOUNT (6.50" X .75")	A/R
	108-9249	TITAN SOLID ROUND, 7/8" MOUNT (6.50" X .88")	A/R
SOLID SLICING			
	108-9242	TITAN SOLID SLICING, 7/8" MOUNT (5.50" X .75")	A/R
	108-9243	TITAN SOLID SLICING, 7/8" MOUNT (6.50" X .75")	A/R
SOLID CROSS			
	108-9259	TITAN CROSS, 7/8" MOUNT (5.50" X .88")	A/R
SOLID NEEDLE			
	100-3620*	TITAN SOLID NEEDLE (6.43" X .188")	A/R
	100-3621*	TITAN SOLID NEEDLE (7.38" X .313")	A/R

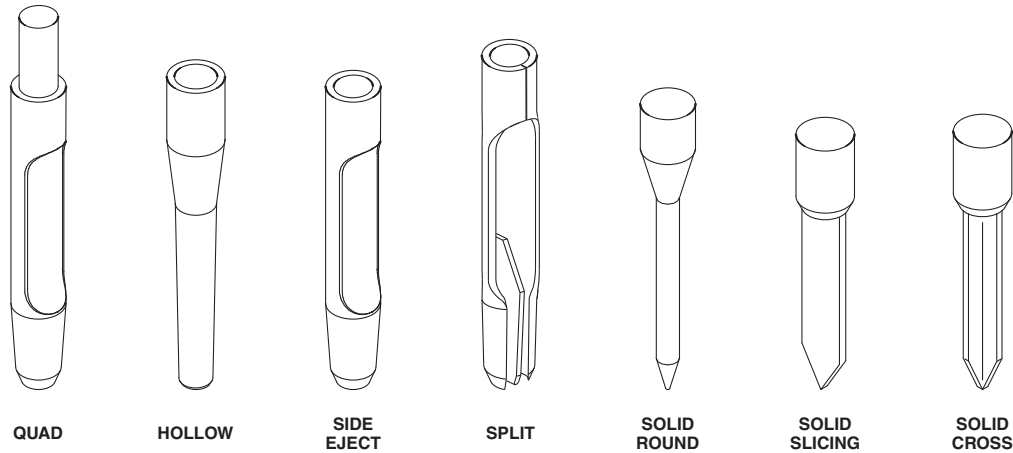
QUICK REFERENCE GUIDE

TINES



Tines for Competitive Models – 1/2" and 5/8" Mount

	Part No.	Description	Qty.
QUAD			
	112-1316	TITAN QUAD 1/2" (4.5" X .46", .32")	A/R
	112-1322	TITAN MAX QUAD 1/2" (4.5" X .480")	A/R
SOLID ROUND			
	112-1347	TITAN SOLID ROUND 1/2" (4.50" X .500")	A/R
	112-1329	TITAN SOLID ROUND 1/2" (5.50" X .250")	A/R
SOLID SLICING			
	112-5102	TITAN SOLID SLICING 3/8" (5.00" X .625") (INCL 1/2" SLEEVE)	A/R
	112-1300		
	114-0583	SLEEVE - 1/2" (FOR 3/8" TINES)	A/R
QUAD			
	112-1332	TITAN QUAD 5/8" (4.5" X .458")	A/R
SIDE EJECT			
	112-1303	TITAN SIDE EJECT 5/8" (4.50" X .560")	A/R
SOLID ROUND			
	112-1348	TITAN SOLID ROUND 5/8" (4.50" X .625")	A/R
SOLID SLICING			
	112-5103	TITAN SOLID SLICING 3/8" (5.00" X .625") (INCL 5/8" SLEEVE)	A/R
	112-1301	SLEEVE - 5/8" (FOR 3/8" TINES)	A/R

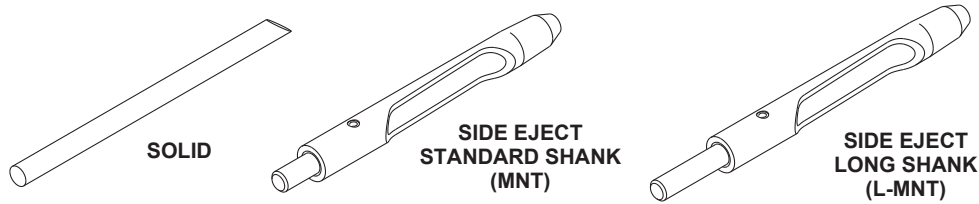


Procore® SR Series

Ref. No.	Part No.	Description	Qty.
	117-7190	ADAPTER HEAD KIT - 10 5/16" TINES PER HEAD	A/R
	117-7192	ADAPTER HEAD KIT - 8 3/8" TINES PER HEAD	A/R
	117-7191	ADAPTER HEAD KIT - 10 12mm TINES PER HEAD	A/R
	117-7193	ADAPTER HEAD KIT - 6 5/16" or 6 3/8" TINES PER HEAD	A/R
	117-7194	ADAPTER HEAD KIT - 2 18mm TINES PER HEAD	A/R
	117-7195	ADAPTER HEAD KIT - 2 5/16" or 2 12mm TINES PER HEAD	A/R
	117-7196	ADAPTER HEAD KIT - 4 5/16" or 4 3/8" TINES PER HEAD	A/R
	117-7199	ADAPTER HEAD KIT - 8 3/8" TINES PER HEAD	A/R
	117-7198	ADAPTER HEAD KIT - 4 12mm or 3 18mm TINES PER HEAD	A/R
	SGA10375	ADAPTER SLEEVE - 5/16" TINE to 12mm HOLE (MNT)	A/R
	SGA08313	ADAPTER SLEEVE - 5/16" TINE to 12mm HOLE (L-MNT)	A/R
	SGA12375	ADAPTER SLEEVE - 3/8" TINE to 12mm HOLE (L-MNT)	A/R
	SG715802	ADAPTER SLEEVE - 18mm TINE to 7/8" HOLE (L-MNT)	A/R
	SG148160	WIRE & SPRING ASSEMBLY (SR72)	12
	SG481512	SPRING - COMPRESSION (SR72)	12
	SG482016	LEADING WIRE - DRAW BAR (SR72)	24
	SG482017	TRAILING WIRE - DRAW BAR (SR72)	12
	SG487054	WIRE & SPRING ASSEMBLY (SR54)	6
	SG481512	SPRING - COMPRESSION (SR54)	6
	SG487255	WIRE - DRAW BAR (SR54)	18
	SG148154	SPRING & WIRE ASSEMBLY (SR54-S)	12
	SG487257	SPRING - COMPRESSION (SR54-S)	12
	SG487256	WIRE - DRAW BAR (SR54-S)	36
	SG481512	SPRING - COMPRESSION (SR70)	8
	SG487255	WIRE - DRAW BAR (SR70)	24
	SG148154	SPRING & WIRE ASSEMBLY (SR70-S)	16
	SG487257	SPRING - COMPRESSION (SR70-S)	16
	SG487256	WIRE - DRAW BAR (SR70-S)	48
	SG148160	WIRE & SPRING ASSEMBLY (SR72)	12
	SG481512	SPRING - COMPRESSION (SR72)	12
	SG482016	LEADING WIRE - DRAW BAR (SR72)	24
	SG482017	TRAILING WIRE - DRAW BAR (SR72)	12
	SG487278	SPRING & WIRE ASSEMBLY (SR75 HD)	12
	SG487275	SPRING - COMPRESSION (SR75 HD)	12
	SG487277	LEADING WIRE - DRAW BAR (SR75 HD)	24
	SG487276	TRAILING WIRE - DRAW BAR (SR75 HD)	12
	324-8	SCREW- HH	4
	3296-51	NUT- LOCK, NI	2

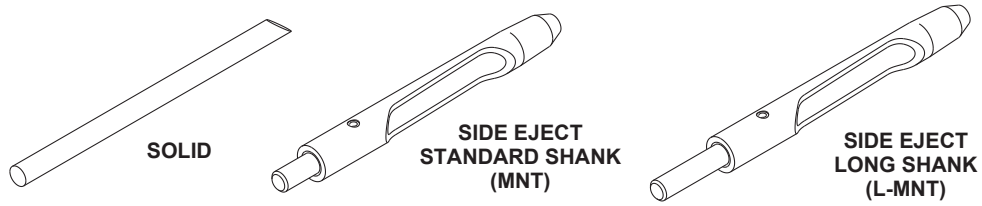
QUICK REFERENCE GUIDE

TINES



ProCore SR Series Tines

Part No.	Description	SR48	SR54	SR54-S	SR70	SR70-S	SR72	SR75-HD
SOLID								
SGS07313	TINE - 5/16" X 8.50" (5/16" MNT)	x	x	x	x	x	x	
SGS08313	TINE - 5/16" X 10" (5/16" MNT)	x	x	x	x	x	x	
SGS08375	TINE - 3/8" X 9.00" (3/8" MNT)	x	x		x		x	
SGS10374	TINE - 3/8" X 10.75" (3/8" MNT)	x	x		x		x	
SGS10375	TINE - 3/8" X 12.25" (3/8" MNT)	x			x		x	
SGS08500	TINE - 12mm X 8.00" (12mm MNT)	x	x	x	x	x	x	
SGS10504	TINE - 12mm X 10.75" (12mm MNT)	x	x	x		x	x	
SGS10500	TINE - 12mm X 12.25" (12mm MNT)	x					x	
SGS12500	TINE - 12mm X 14.25" (12mm MNT)	x					x	
SGS14500	TINE - 12mm X 16.25" (12mm MNT)	x					x	
SGS10750	TINE - 18mm X 12.25" (18mm MNT)	x					x	x
SGS12750	TINE - 18mm X 14.25" (18mm MNT)	x					x	x
SGS14750	TINE - 18mm X 16.25" (18mm MNT)	x					x	x
SGS10875	TINE - 7/8" X 12.50" (18mm MNT)	x					x	x
SGS12875	TINE - 7/8" X 14.00" (18mm MNT)	x					x	x
SGS14875	TINE - 7/8" X 16.00" (18mm MNT)	x					x	x
SGS10876	TINE - 7/8" X 12.50" (7/8" MNT)							x
SGS12876	TINE - 7/8" X 14.00" (7/8" MNT)							x
SGS16100	TINE - 1" X 17.88" (7/8" MNT)							x
SIDE EJECT STD. SHANK								
SGC05550	TINE ASSEMBLY - .500" X 5.5" (3/8" MNT)		x		x			
SGT05550	TUBE ASSEMBLY - .500" X 5.5"		x		x			
SGC07624	TINE ASSEMBLY - .687" X 7.0" (12mm MNT)		x	x	x	x		
SGT07625	TUBE ASSEMBLY - .687" X 7.0"		x	x	x	x		
SGC07754	TINE ASSEMBLY - .813" X 7.0" (12mm MNT)		x	x	x	x		
SGT07750	TUBE ASSEMBLY - .813" X 7.0"		x	x	x	x		
SGC10754	TINE ASSEMBLY - .750" X 10.0" (12mm MNT)		x	x	x	x		
SGT10750	TUBE ASSEMBLY - .750" X 10.0"		x	x	x	x		
SGC08123	TINE ASSEMBLY - 1.31" X 8.0" (7/8" MNT)							x
SGT08125	TUBE ASSEMBLY - 1.31" X 8.0"							x
SGC12123	TINE ASSEMBLY - 1.31" X 12.0" (7/8" MNT)							x
SGT12125	TUBE ASSEMBLY - 1.31" X 12.0"							x
SIDE EJECT LONG SHANK								
SGC07625	TINE ASSEMBLY - .687" X 7.0" (12mm L-MNT)	x					x	
SGT07625	TUBE ASSEMBLY - .687" X 7.0"	x					x	
SGC07750	TINE ASSEMBLY - .813" X 7.0" (12mm L-MNT)	x					x	
SGT07750	TUBE ASSEMBLY - .813" X 7.0"	x					x	
SGC10755	TINE ASSEMBLY - .750" X 10.0" (12mm L-MNT)	x					x	
SGT10750	TUBE ASSEMBLY - .750" X 10.0"	x					x	
SGC10813H	TINE ASSEMBLY - .810" X 10.0" (12mm L-MNT)	x					x	
SGT10813H	TUBE ASSEMBLY - .810" X 10.0"	x					x	
SGC10750	TINE ASSEMBLY - .750" X 10.0" (18mm L-MNT)	x					x	x
SGT10750	TUBE ASSEMBLY - .750" X 10.0"	x					x	x



ProCore SR Series Tines - continued

Part No.	Description	SR48	SR54	SR54-S	SR70	SR70-S	SR72	SR75-HD
<i>SIDE EJECT LONG SHANK</i>								
SGC08100H	TINE ASSEMBLY - 1.06" X 8.0" (18mm L-MNT)	x					x	x
SGT08100H	TUBE ASSEMBLY - 1.06" X 8.0"	x					x	x
SGC10100H	TINE ASSEMBLY - 1.06" X 10.0" (18mm L-MNT)	x					x	x
SGC10100S	TINE ASSEMBLY - 1.00" X 10.0" (18mm L-MNT)	x					x	x
SGC08125	TINE ASSEMBLY - 1.31" X 8.0" (18mm L-MNT)	x					x	x
SGT08125	TUBE ASSEMBLY - 1.31" X 8.0"	x					x	x
SGC12125	TINE ASSEMBLY - 1.31" X 12.0" (18mm L-MNT)	x					x	x
SGT12125	TUBE ASSEMBLY - 1.31" X 12.0"	x					x	x

QUICK REFERENCE GUIDE

TIRES

Greensmaster® - Walkers

Equipment	Description	Tread	Application	Part No.
Transport Wheel Kit	TIRE (12 X 3.25 - 6) 4-PLY	Block	-	65-7940
Transpro Trailer 80/100	TIRE (20 X 10 - 8) 4-PLY	Turf Mate	-	99-4506

Greensmaster® - Riders

Equipment	Description	Tread	Application	Part No.
Greensmaster 300	TIRE (18 X 9.5 - 8) 2-PLY	Smooth	Front & Rear	28-3680
Greensmaster 3000	TIRE (18 X 9.5 - 8) 2-PLY	Smooth	Front & Rear	28-3680
	TIRE (18 X 8.5 - 8) 4-PLY	Turf Traction	Front & Rear	119-3516
Greensmaster 3000D	TIRE (18 X 9.5 - 8) 2-PLY	Smooth	Front & Rear	28-3680
	TIRE (18 X 8.5 - 8) 4-PLY	Turf Traction	Front & Rear	119-3516
	TIRE (19 X 10.5 - 8) 2-PLY	Traction	Front & Rear	70-8500
Greensmaster 3050/3100/3150/3200	TIRE (18 X 9.5 - 8) 2-PLY	Smooth	Front & Rear	28-3680
	TIRE (18 X 8.5 - 8) 4-PLY	Turf Traction	Front & Rear	119-3516
Greensmaster 3200D	TIRE (18 X 9.5 - 8) 2-PLY	Smooth	Front & Rear	28-3680
Greensmaster 3250D	TIRE (19 X 10.5 - 8) 2-PLY	Traction	Front & Rear	70-8500
	TIRE (20 X 10 - 8) 4-PLY	Turf Mate	Front & Rear	99-4506
Greensmaster 3300/3400	TIRE (19 X 10.5) 4-PLY	Smooth	Front & Rear	120-2783

Reelmaster®

Equipment	Description	Tread	Application	Part No.
Reelmaster 216/216D	TIRE (18 X 8.5 - 8) 4-PLY	Turf Traction	Front	119-3516
	TIRE (18 X 6.5 - 8) 4-PLY (2WD)	Turf Traction	Rear	231-122
Reelmaster 2000D/2300D/2600D	TIRE (20 X 10 - 8) 4-PLY	Turf Mate	Front & Rear	99-4506
Reelmaster 3100D	TIRE (20 X 12 - 10) 4-PLY	Turf Trac R/S	Front	117-5125
	TIRE (20 X 10 - 10) 4-PLY	Turf Trac R/S	Front & Rear	115-1572
Reelmaster 3100D (2010 - Current)	TIRE (20 X 12 - 10) 4-PLY	Turf Traction	Front	117-5125
	TIRE (20 X 10 - 10) 4-PLY	Turf Traction	Rear	115-1572
Reelmaster 223D	TIRE (26 X 12 - 12) 4-PLY	Turf Traction	Front	231-134
Reelmaster 5100D/5300D	TIRE (26 X 12 - 12) 4-PLY	Turf Traction	Front	231-134
Reelmaster 5200D/5400D	TIRE (26.5 X 12 - 12) 4-PLY	Turf Traction	Front	231-134
	TIRE (26.5 X 14 - 12) 2-PLY	Ultra Trac	Front	117-5196
	TIRE (20 X 10 - 10) 6-PLY	Turf Traction	Rear	86-5910
Reelmaster 5500D	TIRE (26.5 X 14 - 12) 2-PLY	Ultra Trac	Front	117-5196
	TIRE (20 X 10 - 10) 6-PLY	Turf Traction	Rear	86-5910
Reelmaster 5210	TIRE (24 X 13 - 12) 6-PLY (2006-MID 2008)	Ultra Trac	Front	110-5132
	TIRE (24 X 13 - 12) 4-PLY (MID 2008 & UP)	Ultra Trac	Front	95-2638
	TIRE (20 X 10 - 10) 6-PLY (2006)	Turf Traction	Rear	86-5910
	TIRE (20 X 10 - 10) 4-PLY (2007 & UP)	Turf Trac R/S	Rear	115-1572
Reelmaster 5010-H/5410/5510/5610	TIRE (26.5 X 14 - 12) 2-PLY	Ultra Trac	Front	117-5196
	TIRE (20 X 12 - 10) 4-PLY	Turf Trac R/S	Rear	117-5125
	TIRE (20 X 12 - 10) 4-PLY	Smooth	Rear	127-2796
	TIRE (26.5 X 14 - 12) 4-PLY	Smooth	Front	133-2940
Reelmaster 6500D/6700D	TIRE (29 X 14 - 15) 6-PLY	Ultra Trac	Front	95-3465
	TIRE (29 X 14 - 15) 6-PLY	Ultra Trac	Front	95-3465
	TIRE (20 X 10 - 10) 6-PLY	Turf Traction	Rear	86-5910
Reelmaster 450D/4500D	TIRE (31 X 13.5 - 15) 4-PLY	Turf Traction	Front	63-4480
	TIRE (23 X 10.5 - 12) 6-PLY	Turf Traction	Rear	69-9880
Reelmaster 335D	TIRE (23 X 10.5 - 12) 6-PLY	Turf Traction	Front	69-9880
	TIRE (20 X 8 - 10) 6-PLY	Turf Traction	Rear	74-5560
Reelmaster 3500D	TIRE (20 X 10 - 10) 6-PLY	Turf Traction	Rear	86-5910
Reelmaster 3550D/3555/3575	TIRE (22 X 12 - 12) 4-PLY	Smooth	Front & Rear	120-2114
	TIRE (22 X 12 - 12) 4-PLY	Turf Traction	Front & Rear	121-7924
Reelmaster 4000D	TIRE (31 X 13.5 - 15) 4-PLY	Turf Traction	Front	63-4480
	TIRE (23 X 10.5 - 12) 6-PLY	Turf Traction	Rear	69-9880
Reelmaster 7000D	TIRE (20 X 12 - 10) 4-PLY	Turf Traction	Rear	117-5125
	TIRE (31 X 13.5 - 15) 4-PLY	Turf Traction	Front	63-4480

[†]Recommended for flat turf conditions

Gangmower

Equipment	Description	Tread	Application	Part No.
Reelmaster Transport Frame	TIRE (11 - 15) 6-PLY	Ribbed	-	56-7960
Reelmaster Reel	TIRE (16 X 4 - 12) SEMI-PNEUMATIC	Chevron	-	12-9390
	TIRE (16 X 4.8 - 8) 2-PLY PNEUMATIC	Stud	-	231-3
	TIRE (18 X 4 - 12) SEMI-PNEUMATIC	Chevron	-	51-2550

Groundsmaster[®]

Equipment	Description	Tread	Application	Part No.
Groundsmaster 52/62/220	TIRE (20 X 8 - 10) 4-PLY	Turf Traction	Front	231-103
Groundsmaster 220D	TIRE (23 X 8.5 - 12) 4-PLY	Turf Traction	Front	231-101
	TIRE (23 X 10.5 - 12) 4-PLY - WIDE WHEEL OPT.	Turf Saver	Front	231-95*
	TIRE (16 X 6.5 - 8) 4-PLY RIBBED (2WD)	Ribbed	Rear	231-105
Groundsmaster 223D	TIRE (23 X 8.5 - 12) 4-PLY (STANDARD)	Turf Traction	Front	231-101
	TIRE (23 X 10.5 - 12) 4-PLY - WIDE WHEEL OPT.	Turf Saver	Front	231-95*
	TIRE (23 X 10.5 - 12) 6-PLY - WIDE WHEEL OPT.	Turf Traction	Front	69-9880*
	TIRE (16 X 6.5 - 8) 4-PLY RIBBED (2WD)	Ribbed	Rear	231-105
	TIRE (18 X 6.5 - 8) 4-PLY (4WD)	Turf Traction	Rear	231-122
	TIRE (23 X 8.5 - 12) 4-PLY (224 STANDARD)	Turf Traction	Front	231-101
Groundsmaster 224/225	TIRE (23 X 8.5 - 12) 4-PLY (225 STANDARD)	Turf Traction	Front	95-3348
	TIRE (23 X 10.5 - 12) 4-PLY - WIDE WHEEL OPT.	Turf Saver	Front	231-95*
	TIRE (23 X 10.5 - 12) 6-PLY - WIDE WHEEL OPT.	Turf Traction	Front	69-9880*
	TIRE (16 X 6.5 - 8) 4-PLY	Ribbed	Rear	231-105
Groundsmaster 228D	TIRE (23 X 8.5 - 12) 4-PLY (STANDARD)	Turf Traction	Front	95-3348
	TIRE (23 X 8.5 - 12) 6-PLY	Turf Traction	Front	231-138
	TIRE (16 X 6.5 - 8) 4-PLY (2WD)	Ribbed	Rear	231-105
	TIRE (18 X 6.5 - 8) 4-PLY (4WD)	Turf Traction	Rear	231-122
Groundsmaster 322D/325D	TIRE (23 X 8.5 - 12) 4-PLY (STANDARD)	Turf Traction	Front	231-101
	TIRE (23 X 8.5 - 12) 6-PLY	Turf Traction	Front	138-8242
	TIRE (23 X 10.5 - 12) 4-PLY - WIDE WHEEL OPT.	Turf Saver	Front	231-95*
	TIRE (23 X 10.5 - 12) 6-PLY - WIDE WHEEL OPT.	Turf Traction	Front	69-9880*
	TIRE (16 X 6.5 - 8) 4-PLY RIBBED (2WD)	Ribbed	Rear	231-105
	TIRE (18 X 6.5 - 8) 4-PLY (4WD)	Turf Traction	Rear	231-122
Groundsmaster 327	TIRE (23 X 8.5 - 12) 4-PLY (STANDARD)	Turf Traction	Front	231-101
	TIRE (23 X 10.5 - 12) 4-PLY - WIDE WHEEL OPT.	Turf Saver	Front	231-95*
	TIRE (23 X 10.5 - 12) 6-PLY - WIDE WHEEL OPT.	Turf Traction	Front	69-9880*
	TIRE (16 X 6.5 - 8) 4-PLY	Ribbed	Rear	231-105
Groundsmaster 328D	TIRE (23 X 8.5 - 12) 4-PLY (STANDARD)	Turf Traction	Front	95-3348
	TIRE (23 X 10.5 - 12) 4-PLY - WIDE WHEEL OPT.	Turf Saver	Front	231-95*
	TIRE (23 X 10.5 - 12) 6-PLY - WIDE WHEEL OPT.	Turf Traction	Front	69-9880*
	TIRE (16 X 6.5 - 8) 4-PLY (2WD)	Ribbed	Rear	231-105
	TIRE (18 X 6.5 - 8) 4-PLY (4WD)	Turf Traction	Rear	231-122
Groundsmaster 345	TIRE (23 X 8.5 - 12) 4-PLY (STANDARD)	Turf Traction	Front	95-3348
	TIRE (23 X 10.5 - 12) 4-PLY - WIDE WHEEL OPT.	Turf Saver	Front	231-95*
	TIRE (23 X 10.5 - 12) 6-PLY - WIDE WHEEL OPT.	Turf Traction	Front	69-9880*
	TIRE (16 X 6.5 - 8) 4-PLY	Ribbed	Rear	231-105
Groundsmaster 360	TIRE (23 X 10.5 - 12) 6-PLY	Turf Trac	Front & Rear	121-9072
Groundsmaster 455D	TIRE (26 X 12 - 12) 6-PLY	Multi Trac C/S	Front	126-8033
	TIRE (20 X 10 - 10) 6-PLY	Turf Traction	Rear	86-5910
	TIRE (20 X 10 - 10) 6-PLY	Multi Trac C/S	Rear	94-5236
Groundsmaster 580D	TIRE (31 X 13.5 - 15) 8-PLY (STANDARD)	Turf Traction	Front	69-9800
	TIRE (23 X 10.5 - 12) 6-PLY	Turf Traction	Rear	69-9880
Groundsmaster 3000 3000D	TIRE (25 X 10.5 - 15) 6-PLY	Turf Trac R/S	Front	93-5431
	TIRE (26.5 X 14 - 12) 2-PLY - WIDE WHEEL OPT.	Ultra Trac	Front	117-5196
	TIRE (24 X 13 - 12) 4-PLY	Ultra Trac	Front	95-2638
	TIRE (20 X 8 - 10) 6-PLY	Turf Traction	Rear	74-5560
	TIRE (18 X 8.5 - 10) 4-PLY	Multi Trac C/S	Rear	95-2625
Groundsmaster 3500D/3505D	TIRE (20 X 12 - 10) 4-PLY	Turf Trac R/S	Front	117-5125
	TIRE (20 X 10 - 10) 4-PLY	Turf Trac R/S	Rear	115-1572

*Do not use with 72" rear discharge cutting deck

QUICK REFERENCE GUIDE

TIRES

Groundsmaster® - continued

Equipment	Description	Tread	Application	Part No.
Groundsmaster 3280D	TIRE (23 X 9.5 - 12) 4-PLY	Multi Trac C/S	Front	117-0823
	TIRE (23 X 10.5 - 12) 4-PLY - WIDE WHEEL OPT.	Turf Saver	Front	231-95
	TIRE (23 X 10.5 - 12) 6-PLY - WIDE WHEEL OPT.	Turf Traction	Front	69-9880
	TIRE (16 X 6.5 - 8) 4-PLY (2WD)	Ribbed	Rear	231-105
	TIRE (18 X 6.5 - 8) 4-PLY (4WD)	Turf Traction	Rear	231-122
Groundsmaster 3320	TIRE (23 X 9.5 - 12) 4-PLY	Multi Trac C/S	Front	117-0823
	TIRE (23 X 10.5 - 12) 4-PLY - WIDE WHEEL OPT.	Turf Saver	Front	231-95
	TIRE (23 X 10.5 - 12) 6-PLY - WIDE WHEEL OPT.	Turf Traction	Front	69-9880
	TIRE (16 X 6.5 - 8) 4-PLY	Ribbed	Rear	231-105
Groundsmaster 4000D/4100D	TIRE (26 X 12 - 12) 6-PLY	Multi Trac C/S	Front	126-8033
	TIRE (20 X 10 - 10) 6-PLY	Multi Trac C/S	Rear	94-5236
	TIRE (26 X 12 - 12) 6 PLY	Multi Trac C/S	Front	119-8313
	TIRE (26 X 12 - 12) 6 PLY	High Traction	Front	136-4442
	TIRE (20 X 10 - 10) 6 PLY	High Traction	Rear	136-4440
	TIRE (26.5 X 14 - 12) 2-PLY	Ultra Trac	Front	117-5196
Groundsmaster 4300D	TIRE (20 X 12 - 10) 4-PLY	Turf Trac R/S	Rear	117-5125
	TIRE (29 X 14 - 15) 6-PLY	Ultra Trac	Front	95-3465
Groundsmaster 4500D/4700D	TIRE (20 X 12 - 10) 4-PLY	Turf Trac R/S	Rear	117-5125
	TIRE (29 X 14 - 15) 6-PLY	Turf	Front	119-0023
	TIRE (29 X 12.5 - 15) 10-PLY	Multi Trac C/S	Front	114-4861
Groundsmaster 5900/5910	TIRE (23 X 10.5 - 12) 6-PLY	Multi Trac C/S	Rear	121-9072
	TIRE (29 X 12) 6-PLY	Smooth	Rear	131-2382
	TIRE (24 X 12 - 12) 6-PLY	Lug	Rear	103-6771
Groundsmaster 7200/7210	TIRE (15 X 6) 4-PLY	Ribbed	Caster	133-4724

Aerator

Equipment	Description	Tread	Application	Part No.
Hydroject 3000/3010	TIRE (18 X 9.5 - 8) 2-PLY	Smooth	Front	28-3680
	TIRE (18 X 9.5 - 8) 2-PLY	Smooth	Rear	28-3680
Hydroject 4000 (Tongue Hitch)	TIRE (16 X 6.5 - 8) 4-PLY	Ribbed	-	231-105
Hydrotote Trailer	TIRE (15 X 6 - 6) 2-PLY	Ribbed	-	108-9955
ProCore 648 Aerator	TIRE (19 X 10.5 - 8) 2-PLY	Traction	Front	70-8500
	TIRE (19 X 10.5 - 8) 2-PLY	Traction	Rear	70-8500
ProCore Processor		Turf Traction	-	114-7741

Workman®

Equipment	Description	Tread	Application	Part No.
Workman 1100	TIRE (20 X 10 - 8) 4-PLY (2001-2003)	Turf Trac	Front	99-7300
	TIRE (22 X 9.5 - 10) 4-PLY (2004-2005)	Turf Trac	Front & Rear	127-7435
	TIRE (22.5 X 10 - 8) 4-PLY (2001-2003)	Turf Trac R/S	Rear	108-7007
Workman MD / MDE	TIRE (22 X 9.5 - 10) 4-PLY	Turf Trac	Front & Rear	127-7435
Workman 2100	TIRE (22 X 9.5 - 10) 4-PLY (2004-2005)	Turf Trac	Front & Rear	127-7435
	TIRE (22.5 X 10 - 8) 4-PLY (1999-2003)	Turf Trac R/S	Rear	108-7007
Workman 2110	TIRE (22 X 9.5 - 10) 4-PLY	Turf Trac R/S	Front	104-7064
	TIRE (24 X 12 - 10) 4-PLY	Turf Trac R/S	Rear	131-6667
	TIRE (24 X 12 - 10) 4-PLY	Turf Trac R/S	Rear	131-6667
	TIRE (22 X 9.5 - 10) 4-PLY	Multi Trac C/S	Front & Rear	127-7435
	TIRE (22.5 X 10 - 8) 4-PLY	Turf Trac R/S	Front & Rear	108-7007
Workman GTX	TIRE (20 X 10 - 8) 4-PLY	Turf	Front & Rear	131-8318
	TIRE (20 X 8 - 10)	Turf Trac	Rear	139-4475
Workman MDX/MDX-D	TIRE (22 X 9.5 - 10) 4-PLY	Turf Trac	Front	127-7435
	TIRE (24 X 12 - 10) 4-PLY	Turf Trac R/S	Rear	131-6667
	TIRE, K299 (21 X 8-12) 6-PLY	Turf Trac	Front	136-1126
	TIRE, K299 (21 X 8-12) 6-PLY	Aggressive	Rear	136-1127
Workman Series 3000 4000	TIRE (20 X 10 - 10) 4-PLY	Ribbed	Front	94-5261
	TIRE (20 X 10 - 10) 6-PLY (4WD)	Multi Trac C/S	Front	94-5236
	TIRE (20 X 10 - 10) 6-PLY	Chevron	Front	112-3163
	TIRE (23 X 10.5 - 12) 4-PLY	Turf Trac R/S	Rear	87-3290
	TIRE (24 X 13 - 12) 6-PLY (1993-2001)	Chevron	Rear	110-5132

Workman® - continued

Equipment	Description	Tread	Application	Part No.
Workman HD/HDX HDX-D/HDX-Auto	TIRE (20 X 9 - 12) 6-PLY	Tuff Trac	Front	131-6670
	TIRE (24 X 12 - 12) 6-PLY	Multi Trac C/S	Rear	131-6673
	TIRE (24 X 13 - 12) 6-PLY	Ultra Trac	Rear	110-5132
	TIRE (23 X 10.5 - 12) 4-PLY	Saw Tooth	Rear	99-1091
	TIRE (21 X 8-12) 6-PLY	Aggressive	Rear	131-8433
	TIRE, A299 (21 X 8-12) 6-PLY	Aggressive	Rear	131-8440
	TIRE-K299 (21 X 8-12) 6-PLY	Aggressive	-	131-8443
Workman Boom Enclosure	TIRE (15 X 6 - 6) 2-PLY	Ribbed	-	108-9955
Workmaster	TIRE (18 X 8.5 - 8) 4-PLY	Ribbed	Front	119-6343
	TIRE (23 X 8.5 - 12) 4-PLY	Turf Traction	Rear	231-101

Multi Pro®

Equipment	Description	Tread	Application	Part No.
Multi Pro 1100/1200/1250	TIRE (18 X 9.5 - 8) 4-PLY	Smooth	Front	110-5133
	TIRE (18 X 9.5 - 8) 4-PLY	Ribbed	Front	106-9691
	TIRE (24 X 13 - 12) 6-PLY	Ultra Trac	Rear	110-5132
Multi Pro 1750	TIRE (20 X 10 - 10) 4-PLY	Smooth	Front	120-7639
	TIRE (24 X 13 - 12) 6-PLY	Turf	Rear	110-5132
Multi Pro 5200/5500/5600/5700D	TIRE (23 X 10.5 - 12) 4-PLY	Turf Trac R/S	Front	87-3290
	TIRE (26.5 X 14 - 12) 2-PLY	Ultra Trac	Rear	117-5196
Multi Pro 5800D	TIRE (22 X 12 - 12) 4-PLY	Smooth	Front	120-2114
	TIRE (26.5 X 14 - 12) 6-PLY	Turf	Rear	133-2724
	TIRE (23 X 10.5 - 12) 4-PLY	Turf Trac	Front	119-6021
	TIRE (26.5 X 14 - 12) 2-PLY	Turf Trac	Rear	117-5196
Multi Pro Boom Enclosure	TIRE (15 X 6 - 6) 2-PLY	Ribbed	-	108-9955

Specialty Turf Equipment

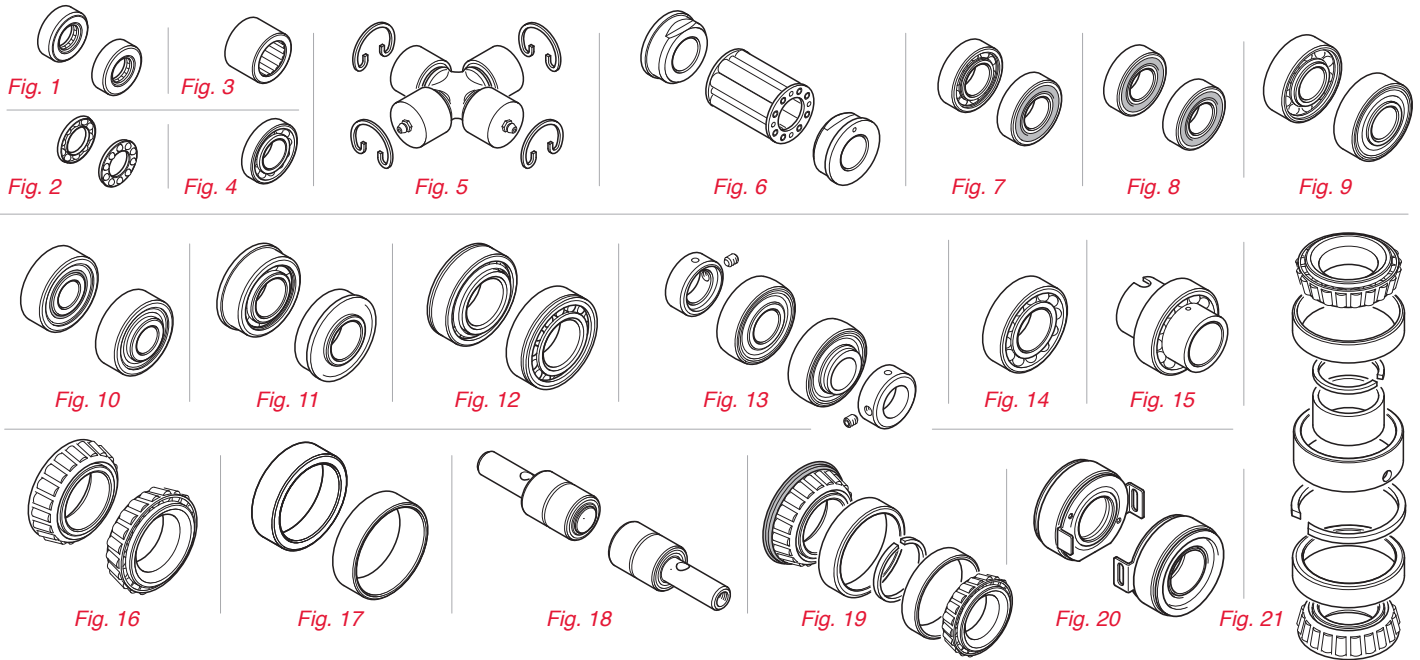
Equipment	Description	Tread	Application	Part No.
Rak-O-Vac Sweeper	TIRE (11L-15SL)	Ribbed	-	119-6225
Turf Sweeper 4800	TIRE (18 X 8.5 - 8) 4-PLY	Ribbed	Front	119-6343
	TIRE (18 X 9.5 - 8) 4-PLY	Turf Traction	Rear	120-6451
Debris Blower 800	TIRE (20 X 10 - 8) 4-PLY	Turf Trac R/S	-	99-7300
Pro Force Debris Blower	TIRE (18.2 X 8.5 - 8) 4-PLY	Turf Traction	-	119-3009
Topdresser 2300	TIRE (18 X 8.5 - 8) 4-PLY	Ribbed	-	119-6343
Topdresser 2500	TIRE (18 X 9.5 - 8) 4-PLY	Multi Ribbed	-	106-9691
300T Trailer Sprayer	TIRE (29 X 14 - 15) 6-PLY	Ultra Trac	-	95-3465
ProCore Core Processor	TIRE (18 X 9.5 - 8) 6-PLY	Turf Traction	-	114-7741

Sand Pro® / Infield Pro

Equipment	Description	Tread	Application	Part No.
Sand Pro	TIRE (22 X 11 - 8) 2-PLY	Knobby	Front & Rear	85-8290
Sand Pro 2000	TIRE (22 X 11 - 8) 2-PLY	Knobby	Front & Rear	85-8290
Sand Pro 2020/3000/3020/5000/5020	TIRE (22 X 11 - 8) 2-PLY	Knobby	Front & Rear	85-8290
	TIRE (22 X 11 - 8) 2-PLY	Turf Trac R/S	Front & Rear	121-9072
Sand/Infield Pro 3040/5040	TIRE (22 X 11 - 8) 2-PLY	Knobby	Front & Rear	85-8290
	TIRE (22 X 11 - 8) 2-PLY	Turf Trac R/S	Front & Rear	121-9072
	TIRE (22 X 11 - 8) 2-PLY	Smooth	Front & Rear	110-3364
Sand Pro 2040Z	TIRE (16 X 7.5 - 8) 4-PLY	Turf Traction	Front	125-6406
	TIRE (25 X 12 - 9) 3-PLY	Turf Traction	Rear	125-6465
GreensPro® 1200	TIRE (16 X 6.5-8) 4-PLY	Turf	-	111-5755

QUICK REFERENCE GUIDE

BEARINGS



Greensmaster® - Walkers

Equipment	Application	Fig. No.	Component	Year	Description	Part No.
Greensmaster 800 1000 1600 2000 2600	<i>Cutting Unit</i>	14	Reel	All	BALL BEARING ASSEMBLY - DUAL ROW	251-342
		19	Front Roller	All	BEARING & SHAFT ASSEMBLY	52-3180
		7	Groomer Reel Shaft	All	BALL BEARING ASSEMBLY - OUTER SEAL ONLY	251-327
		7	Groomer Drive Belt Idler	All	BALL BEARING ASSEMBLY - OUTER SEAL ONLY	251-328
		<i>Traction Unit</i>	7	Reel Drive Clutch Housing	1993 & Up	BALL BEARING ASSEMBLY - OUTER SEAL ONLY
8	Reel Drive Clutch		All	BALL BEARING ASSEMBLY - SEALED	251-336	
14	Countershaft Support		All	BALL BEARING ASSEMBLY - DUAL ROW	251-338	
8	Idler Pulleys		All	BALL BEARING ASSEMBLY - SEALED	38-7820	
14	Drum Drive Shaft		All	BALL BEARING ASSEMBLY - DUAL ROW	251-338	
7	Drum Spindle/Hub		1990-99	BALL BEARING ASSEMBLY - OUTER SEAL ONLY	251-257	
8	Drum Spindle/Hub		2000 & Up	BALL BEARING ASSEMBLY - SEALED	251-82	
13	Drum - Outer Shaft Bearing		1993 & Up	BALL BEARING ASSEMBLY - SELF ALIGNING	88-7880	
Greensmaster Flex 1800 2100	<i>Cutting Unit</i>	14	Reel	All	BALL BEARING ASSEMBLY - DUAL ROW	251-342
		8	Roller	All	BALL BEARING ASSEMBLY - SEALED	251-347
		8	Groomer Drive Belt Idler	All	BALL BEARING ASSEMBLY - SEALED	251-259
		*	Groomer Drive	All	BEARING - RH REVERSE GROOMER	106-4237
		eFlex 1800 2100	<i>Traction Unit</i>	8	Reel Drive Shaft	All
13	Drum Drive Shaft			2001-04	BALL BEARING - SELF ALIGNING W/COLLAR	104-0538
13	Drum Drive Shaft			2005 & Up	BALL BEARING - SELF ALIGNING W/COLLAR	106-8448
8	Drum Spindle/Hub			All	BALL BEARING ASSEMBLY - SEALED	251-82
Trans Pro 80 100	<i>Trailer</i>	16	Wheel - Inner/Outer Bearing	All	ROLLER BEARING ASSEMBLY - TAPERED CONE	254-92
		17	Wheel - Inner/Outer Bearing	All	BEARING RACE - TAPERED CUP	254-72

QUICK REFERENCE GUIDE

BEARINGS

Greensmaster® - Riders

Equipment	Application	Fig. No.	Component	Year	Description	Part No.				
Greensmaster 3300 Style Cutting Units*	<i>4-Bolt</i>	18	Front Roller	1974 & Up	BEARING & SHAFT ASSEMBLY	21-6410				
		19	Rear Roller	1974 & Up	BEARING & SHAFT ASSEMBLY	52-3180				
	<i>Spiker</i>	<i>4 Bolt & SPA</i>	18	Front & Rear Rollers	1974 & Up	BEARING & SHAFT ASSEMBLY	21-6410			
			16	Reel	All	ROLLER BEARING ASSEMBLY - TAPERED CONE	254-94			
			17	Reel	All	BEARING RACE - TAPERED CUP	254-72			
			2	Reel Adjustment Knob	1985-86	THRUST BEARING CAGE ASSEMBLY	257-6			
			19	Front & Rear Rollers	All	BEARING & SHAFT ASSEMBLY	52-3180			
			7	Roller Brush Kit Rear Roller	All	BALL BEARING ASSEMBLY - OUTER SEAL ONLY	85-9970			
			<i>Groomer</i>	7	Groomer Reel Drive	All	BALL BEARING ASSEMBLY - OUTER SEAL ONLY	251-327		
	7	Groomer Drive Shaft		All	BALL BEARING ASSEMBLY - OUTER SEAL ONLY	251-327				
	7	Groomer Drive Belt Idler		All	BALL BEARING ASSEMBLY - OUTER SEAL ONLY	251-328				
	Greensmaster 3200 Style Cutting Units*	<i>Spiker</i>	19	Front & Rear Rollers	1985-92	BEARING & SHAFT ASSEMBLY	52-3180			
				4-Bolt & SPA	14	Reel	1995-00	BALL BEARING ASSEMBLY - DUAL ROW	93-2489	
		<i>Spiker</i>	<i>4-Bolt & SPA</i>	9	Front Roller	All	BALL BEARING ASSEMBLY - OUTER SEAL ONLY	93-2559		
				18	Wiehle Front Roller	All	BEARING & SHAFT ASSEMBLY	75-1290		
				9	Rear Roller	1995-98	BALL BEARING ASSEMBLY - OUTER SEAL ONLY	93-2559		
				7	Rear Roller	1999-00	BALL BEARING ASSEMBLY - OUTER SEAL ONLY	85-9970		
				13	Rear Roller Brush Shaft	All	BALL BEARING - SELF ALIGNING W/COLLAR	98-5208		
				4	Rear Roller Brush Drive Shaft	All	BALL BEARING ASSEMBLY - SINGLE ROW	98-5215		
<i>Groomer</i>				14	Groomer Reel Drive	All	BALL BEARING ASSEMBLY - SINGLE ROW	251-336		
		8	Groomer Drive Shaft	All	BALL BEARING ASSEMBLY - SEALED	95-0707				
		7	Groomer Drive Belt Idler	All	BALL BEARING ASSEMBLY - OUTER SEAL ONLY	38-7820				
<i>Dethatcher</i>		<i>Spiker</i>	7	Front Roller	1997 & Up	BALL BEARING ASSEMBLY - OUTER SEAL ONLY	85-9970			
			9	Rear Roller	All	BALL BEARING ASSEMBLY - OUTER SEAL ONLY	93-2559			
			9	Rear Roller	All	BALL BEARING ASSEMBLY - OUTER SEAL ONLY	93-2559			
			Greensmaster 3050 Style Cutting Units*	<i>4-Bolt & SPA</i>	14	Reel	2001	BALL BEARING ASSEMBLY - DUAL ROW	93-2489	
					14	Reel	2002-03	BALL BEARING ASSEMBLY - DUAL ROW	105-3827	
				<i>Spiker</i>	<i>4-Bolt & SPA</i>	19	Front Roller	All	BEARING & SHAFT ASSEMBLY	52-3180
						7	Rear Roller	All	BALL BEARING ASSEMBLY - OUTER SEAL ONLY	85-9970
13		Rear Roller Brush Shaft				All	BALL BEARING - SELF ALIGNING W/COLLAR	98-5208		
4	Rear Roller Brush Drive Shaft	All				BALL BEARING ASSEMBLY - SINGLE ROW	98-5215			
<i>Groomer</i>	14	Groomer Reel				All	BALL BEARING ASSEMBLY - SINGLE ROW	95-0707		
	8	Groomer Drive Shaft				All	BALL BEARING ASSEMBLY - SEALED	251-336		
	7	Groomer Drive Belt Idler				All	BALL BEARING ASSEMBLY - OUTER SEAL ONLY	38-7820		
<i>Spiker</i>	<i>Tri-Roller</i>	9		Rear Roller	All	BALL BEARING ASSEMBLY - OUTER SEAL ONLY	93-2559			
		9		Rear Roller	All	BALL BEARING ASSEMBLY - OUTER SEAL ONLY	93-2559			
		Greensmaster DPA Cutting Units*		<i>4-Bolt & SPA</i>	14	Reel	2003-06	BALL BEARING ASSEMBLY - DUAL ROW	93-2489	
8	Roller				All	BALL BEARING ASSEMBLY - SEALED	251-347			
<i>DPA</i>	13			Rear Roller Brush Shaft	All	BALL BEARING - SELF ALIGNING W/COLLAR	132-6979			
	8			Roller Brush Drive Belt Idler	All	BALL BEARING ASSEMBLY - SEALED	251-259			
	8			Groomer Drive Belt Idler	All	BALL BEARING ASSEMBLY - SEALED	251-259			
Greensmaster 300	<i>Traction Unit</i>			9	Pull Frame Roller	All	BALL BEARING ASSEMBLY - OUTER SEAL ONLY	133-2378		
				16	Rear Wheel	All	ROLLER BEARING ASSEMBLY - TAPERED CONE	254-78		
				17	Rear Wheel	All	BEARING RACE - TAPERED CUP	254-79		
Greensmaster 3000 3000D	<i>Traction Unit</i>		9	Pull Frame Roller	All	BALL BEARING ASSEMBLY - OUTER SEAL ONLY	133-2378			
			16	Rear Wheel	All	ROLLER BEARING ASSEMBLY - TAPERED CONE	254-78			
			17	Rear Wheel	All	BEARING RACE - TAPERED CUP	254-79			
Greensmaster 3050	<i>Traction Unit</i>		9	Pull Frame Roller	All	BALL BEARING ASSEMBLY - OUTER SEAL ONLY	133-2378			
			16	Rear Wheel	All	ROLLER BEARING ASSEMBLY - TAPERED CONE	254-78			
			17	Rear Wheel	All	BEARING RACE - TAPERED CUP	254-79			
Greensmaster 3100D	<i>Traction Unit</i>		9	Pull Frame Roller	All	BALL BEARING ASSEMBLY - OUTER SEAL ONLY	133-2378			
			16	2WD Rear Wheel	All	ROLLER BEARING ASSEMBLY - TAPERED CONE	254-78			
			17	2WD Rear Wheel	All	BEARING RACE - TAPERED CUP	254-79			
Greensmaster 3150	<i>Traction Unit</i>		9	Pull Frame Roller	All	BALL BEARING ASSEMBLY - OUTER SEAL ONLY	133-2378			
			8	Neutral Centering Device	All	BALL BEARING ASSEMBLY - SEALED	251-259			
		8	Traction Function Lever	All	BALL BEARING ASSEMBLY - SEALED	251-259				
		16	Rear Wheel	All	ROLLER BEARING ASSEMBLY - TAPERED CONE	254-78				
		17	Rear Wheel	All	BEARING RACE - TAPERED CUP	254-79				
Greensmaster 3200 3200D	<i>Traction Unit</i>	8	Neutral Arm	All	BALL BEARING ASSEMBLY - SEALED	251-259				
		8	Traction Function Lever	All	BALL BEARING ASSEMBLY - SEALED	251-259				
		16	Rear Wheel	All	ROLLER BEARING ASSEMBLY - TAPERED CONE	254-78				
		17	Rear Wheel	All	BEARING RACE - TAPERED CUP	254-79				

*Not illustrated. **Not sold separately. See pages 12-25 for kit contents. Prices subject to change without notice. Please see your Parts Catalog or Master Parts Viewer to ensure the correct part is ordered, as the part you need may not be listed above. toro.com/parts

QUICK REFERENCE GUIDE

BEARINGS

Greensmaster® - Riders - continued

Equipment	Application	Fig. No.	Component	Year	Description	Part No.
Greensmaster 3250D	<i>Traction Unit</i>	8	Neutral Centering Device	All	BALL BEARING ASSEMBLY - SEALED	251-259
		8	Traction Function Lever	All	BALL BEARING ASSEMBLY - SEALED	251-259
		16	Rear Wheel	All	ROLLER BEARING ASSEMBLY - TAPERED CONE	254-78
		17	Rear Wheel	All	BEARING RACE - TAPERED CUP	254-79
Greensmaster 3300	<i>Cutting Unit</i>	8	Rear Rollers	All	BALL BEARING ASSEMBLY - SEALED	251-347
		*	Groomer Drive	All	BEARING - RH REVERSE GROOMER	106-4237
3320	<i>Traction Unit</i>	8	Neutral Centering Device	All	BALL BEARING ASSEMBLY - SEALED	251-259
3400		17	Rear Wheel	All	BEARING RACE - TAPERED CUP	254-72
3420						

*Greensmaster cutting units can be attached to a variety of Greensmaster traction units. Use the Greensmaster Cutting Unit Reference Chart to help recognize cutting units by name.

Reelmaster®

Equipment	Application	Fig. No.	Component	Year	DESCRIPTION	Part No.	
Reelmaster 216 216D	<i>Cutting Unit</i>	16	Rear Wheel	All	ROLLER BEARING ASSEMBLY - TAPERED CONE	254-94	
		13	Reel	1987-88	BALL BEARING ASSEMBLY - SELF ALIGNING	71-1360	
		13	Reel	1989 & Up	BALL BEARING ASSEMBLY - SELF ALIGNING	251-331	
		2	Reel Adjustment Knob	All	THRUST BEARING CAGE ASSEMBLY	257-6	
	<i>Traction Unit</i>	17	Front & Rear Rollers	All	BEARING RACE - TAPERED CUP	254-79	
		16	Front & Rear Rollers	All	ROLLER BEARING ASSEMBLY - TAPERED CONE	254-78	
		8	Neutral Centering Device	All	BALL BEARING ASSEMBLY - SEALED	251-259	
		11	2 WD Rear Wheel	All	BALL BEARING ASSEMBLY - FLANGED	251-321	
Grounds Pro 2000 2000D	<i>Cutting Unit</i>	13	Reel	All	BALL BEARING ASSEMBLY - SELF ALIGNING	251-331	
		2	Reel Adjustment Knob	All	THRUST BEARING CAGE ASSEMBLY	257-6	
		16	Front & Rear Rollers	All	ROLLER BEARING ASSEMBLY - TAPERED CONE	254-78	
	<i>Traction Unit</i>	17	Front & Rear Rollers	All	BEARING RACE - TAPERED CUP	254-79	
		8	Neutral Centering Device	All	BALL BEARING ASSEMBLY - SEALED	251-259	
Reelmaster 2000D	<i>Cutting Units</i>	13	Reel	All	BALL BEARING ASSEMBLY - SELF ALIGNING	100-4926	
		17	Front & Rear Rollers	All	BEARING RACE - TAPERED CUP	254-79	
		16	Front & Rear Rollers	All	ROLLER BEARING ASSEMBLY - TAPERED CONE	254-78	
		8	27" Verticut - Roller	All	BALL BEARING ASSEMBLY - SEALED	251-347	
	<i>Traction Unit</i>	8	Neutral Centering Device	All	BALL BEARING ASSEMBLY - SEALED	251-259	
		16	Rear Wheel - Inner/Outer	All	ROLLER BEARING ASSEMBLY - TAPERED CONE	254-94	
		17	Rear Wheel - Inner/Outer	All	BEARING RACE - TAPERED CUP	254-72	
Reelmaster 2300D 2600D	<i>Cutting Units</i>	13	Reel	All	BALL BEARING ASSEMBLY - SELF ALIGNING	88-7880	
		2	Reel Adjust	All	THRUST BEARING CAGE ASSEMBLY	257-6	
		16	Front & Rear Rollers	All	ROLLER BEARING ASSEMBLY - TAPERED CONE	254-78	
	<i>Traction Unit</i>	17	Front & Rear Rollers	All	BEARING RACE - TAPERED CUP	254-79	
		8	Neutral Centering Device	All	BALL BEARING ASSEMBLY - SEALED	251-259	
Reelmaster 3100D	<i>Cutting Units</i>	11	2WD Rear Wheel	All	BALL BEARING ASSEMBLY - FLANGED	251-321	
		13	Reel	All	BALL BEARING ASSEMBLY - SELF ALIGNING	100-4926	
		17	Front & Rear Rollers	All	BEARING RACE - TAPERED CUP	254-79	
		16	Front & Rear Rollers	All	ROLLER BEARING ASSEMBLY - TAPERED CONE	254-78	
	<i>Traction Unit</i>	8	27" Verticut - Roller	All	BALL BEARING ASSEMBLY - SEALED	251-347	
		8	Neutral Centering Device	All	BALL BEARING ASSEMBLY - SEALED	251-259	
Reelmaster 223D 5100D 5300D	<i>Cutting Unit</i>	8	Traction Pedal	All	BALL BEARING ASSEMBLY - SEALED	251-259	
		16	Reel	All	ROLLER BEARING ASSEMBLY - TAPERED CONE	254-94	
		17	Reel	All	BEARING RACE - TAPERED CUP	254-72	
		18	Front Roller	All	BEARING & SHAFT ASSEMBLY	75-1290	
		19	Rear Roller	1990-91	BEARING & SHAFT ASSEMBLY	52-3180	
		7	Rear Roller	All	BALL BEARING ASSEMBLY - OUTER SEAL ONLY	85-9970	
		13	Rear Roller Brush Shaft	All	BALL BEARING - SELF ALIGNING W/COLLAR	98-5208	
		8	Rear Roller Brush Drive Shaft	All	BALL BEARING ASSEMBLY - SEALED	251-336	
		8	Roller Brush Drive Belt Idler	All	BALL BEARING ASSEMBLY - SEALED	251-259	
		18	Dethatcher - Rollers	All	BEARING & SHAFT ASSEMBLY	75-1290	
		<i>Traction Unit</i>	8	Compensating Carrier Frame	All	BALL BEARING ASSEMBLY - SEALED	251-259
			8	Neutral Centering Device	All	BALL BEARING ASSEMBLY - SEALED	251-259
	7		Cooling Fan Shaft	All	BALL BEARING ASSEMBLY - OUTER SEAL ONLY	251-318	
	12		Front Axle - Outer Bearing	All	ROLLER BEARING ASSEMBLY	21-8180	
			16	2WD Rear Wheel - In/Out	All	ROLLER BEARING ASSEMBLY - TAPERED CONE	254-94
			17	2WD Rear Wheel - In/Out	All	BEARING RACE - TAPERED CUP	254-72
		8	4WD Rear Axle Knuckle	All	BALL BEARING ASSEMBLY - SEALED	251-347	

QUICK REFERENCE GUIDE

BEARINGS

Reelmaster® - continued

Equipment	Application	Fig. No.	Component	Year	Description	Part No.		
Reelmaster 5200D 5400D	<i>Cutting Unit</i>	16	Reel	All	ROLLER BEARING ASSEMBLY - TAPERED CONE	254-94		
		17	Reel	All	BEARING RACE - TAPERED CUP	254-72		
		18	Front & Rear Roller	1998-01	BEARING & SHAFT ASSEMBLY	75-1290		
		7	Front & Rear Roller	2001-06	BALL BEARING ASSEMBLY - OUTER SEAL ONLY	109966		
		13	Roller Brush Shaft	All	BALL BEARING - SELF ALIGNING W/COLLAR	132-6979		
		4	Roller Brush Drive Shaft	All	BALL BEARING ASSEMBLY - SINGLE ROW	98-5215		
		8	Roller Brush Drive Belt Idler	All	BALL BEARING ASSEMBLY - SEALED	251-259		
		18	Dethatcher - Rollers	All	BEARING & SHAFT ASSEMBLY	75-1290		
	<i>Traction Unit</i>	8	Compensating Carrier Frame	All	BALL BEARING ASSEMBLY - SEALED	251-259		
		8	Neutral Centering Device	All	BALL BEARING ASSEMBLY - SEALED	251-259		
		7	Cooling Fan Shaft	All	BALL BEARING ASSEMBLY - OUTER SEAL ONLY	251-318		
		12	Front Axle - Outer Bearing	All	ROLLER BEARING ASSEMBLY	21-8180		
		16	2WD Rear Wheel - In/Out	All	ROLLER BEARING ASSEMBLY - TAPERED CONE	254-94		
		17	2WD Rear Wheel - In/Out	All	BEARING RACE - TAPERED CUP	254-72		
8		4WD Rear Axle Knuckle	1998-99	BALL BEARING ASSEMBLY - SEALED	251-347			
Reelmaster 5010-H 5210 5410 5510 5610		<i>Cutting Unit</i>	14	Reel	All	BALL BEARING ASSEMBLY - DUAL ROW	93-2489	
	7		Front & Rear Roller	2006-07	BALL BEARING ASSEMBLY - OUTER SEAL ONLY	109966		
	7		Front & Rear Roller	2008 & Up	BALL BEARING ASSEMBLY - OUTER SEAL ONLY	112-5290		
	9		Roller Brush Drive Shaft	All	BALL BEARING ASSEMBLY - OUTER SEAL ONLY	93-2559		
	14		Roller Brush Shaft	All	BALL BEARING ASSEMBLY - SINGLE ROW	95-0707		
	9		Groomer Drive Shaft	All	BALL BEARING ASSEMBLY - OUTER SEAL ONLY	93-2559		
	14		Groomer Reel	All	BALL BEARING ASSEMBLY - SINGLE ROW	95-0707		
	<i>Traction Unit</i>		16	2WD Rear Wheel - In/Out	All	ROLLER BEARING ASSEMBLY - TAPERED CONE	254-94	
		17	2WD Rear Wheel - In/Out	All	BEARING RACE - TAPERED CUP	254-72		
		*	Pedal Assembly	All	BEARING - MOUNT, FLANGE	256-236		
		Reelmaster 5500D	<i>Cutting Units</i>	14	Reel	All	BALL BEARING ASSEMBLY - DUAL ROW	93-2489
				7	Roller	All	BALL BEARING ASSEMBLY - OUTER SEAL ONLY	109966
				13	Roller Brush Shaft	All	BALL BEARING - SELF ALIGNING W/COLLAR	132-6979
	4			Roller Brush Drive Shaft	All	BALL BEARING ASSEMBLY - SINGLE ROW	98-5215	
8	Roller Brush Drive Belt Idler			All	BALL BEARING ASSEMBLY - SEALED	251-259		
14	Groomer Reel			All	BALL BEARING ASSEMBLY - SINGLE ROW	95-0707		
8	Dethatcher - Roller			All	BALL BEARING ASSEMBLY - SEALED	251-347		
<i>Traction Unit</i>	8			Neutral Centering Device	All	BALL BEARING ASSEMBLY - SEALED	251-259	
	7		Cooling Fan Shaft	All	BALL BEARING ASSEMBLY - OUTER SEAL ONLY	251-318		
Reelmaster 6500D 6700D	<i>SPA Cutting Units</i>		14	Reel	All	BALL BEARING ASSEMBLY - DUAL ROW	93-2489	
		7	Roller	All	BALL BEARING ASSEMBLY - OUTER SEAL ONLY	109966		
		13	Roller Brush Shaft	All	BALL BEARING - SELF ALIGNING W/COLLAR	132-6979		
		4	Roller Brush Drive Shaft	All	BALL BEARING ASSEMBLY - SINGLE ROW	98-5215		
		8	Roller Brush Drive Belt Idler	All	BALL BEARING ASSEMBLY - SEALED	251-259		
		14	Groomer Reel	All	BALL BEARING ASSEMBLY - SINGLE ROW	95-0707		
		8	Dethatcher - Roller	All	BALL BEARING ASSEMBLY - SEALED	251-347		
		*	Rear Roller Brush	All	BEARING - REAR ROLLER BRUSH	106-4237		
	<i>DPA Cutting Units</i>	14	Reel	All	BALL BEARING ASSEMBLY - DUAL ROW	93-2489		
		7	Front & Rear Roller	2007	BALL BEARING ASSEMBLY - OUTER SEAL ONLY	109966		
		7	Front & Rear Roller	2008 & Up	BALL BEARING ASSEMBLY - OUTER SEAL ONLY	112-5290		
		9	Roller Brush Drive Shaft	All	BALL BEARING ASSEMBLY - OUTER SEAL ONLY	93-2559		
		14	Roller Brush Shaft	All	BALL BEARING ASSEMBLY - SINGLE ROW	95-0707		
		9	Groomer Drive Shaft	All	BALL BEARING ASSEMBLY - OUTER SEAL ONLY	93-2559		
14		Groomer Reel	All	BALL BEARING ASSEMBLY - SINGLE ROW	95-0707			
*		Rear Roller Brush	All	BEARING - REAR ROLLER BRUSH	106-4237			
<i>Traction Unit</i>	16	2WD Rear Wheel - Inner	All	ROLLER BEARING ASSEMBLY - TAPERED CONE	254-106			
	17	2WD Rear Wheel - Inner	All	BEARING RACE - TAPERED CUP	254-107			
	16	2WD Rear Wheel - Outer	All	ROLLER BEARING ASSEMBLY - TAPERED CONE	254-92			
	17	2WD Rear Wheel - Outer	All	BEARING RACE - TAPERED CUP	254-72			

QUICK REFERENCE GUIDE

BEARINGS

Reelmaster[®] - continued

Equipment	Application	Fig. No.	Component	Year	Description	Part No.
Reelmaster 450D	<i>Cutting Unit</i>	15	Reel	All	BALL BEARING ASSEMBLY - DUAL ROW EXT. RACE	59-6140
		2	Reel Adjust	1986-89	THRUST BEARING CAGE ASSEMBLY	257-6
		16	Front & Rear Rollers	All	ROLLER BEARING ASSEMBLY - TAPERED CONE	254-78
		17	Front & Rear Rollers	All	BEARING RACE - TAPERED CUP	254-79
		15	Dethatcher - Reel	All	BALL BEARING ASSEMBLY - DUAL ROW EXT. RACE	59-6140
	<i>Traction Unit</i>	16	2WD Rear Wheel - Inner	1991 & Up	ROLLER BEARING ASSEMBLY - TAPERED CONE	254-106
		17	2WD Rear Wheel - Inner	1991 & Up	BEARING RACE - TAPERED CUP	254-107
		16	2WD Rear Wheel - Outer	1991 & Up	ROLLER BEARING ASSEMBLY - TAPERED CONE	254-92
		17	2WD Rear Wheel - Outer	1991 & Up	BEARING RACE - TAPERED CUP	254-72
	Reelmaster 335D	<i>Cutting Unit</i>	15	Reel	All	BALL BEARING ASSEMBLY - DUAL ROW EXT. RACE
16			Front & Rear Rollers	All	ROLLER BEARING ASSEMBLY - TAPERED CONE	254-78
17			Front & Rear Rollers	All	BEARING RACE - TAPERED CUP	254-79
15			Dethatcher - Reel	All	BALL BEARING ASSEMBLY - DUAL ROW EXT. RACE	59-6140
<i>Traction Unit</i>		8	Neutral Centering Device	All	BALL BEARING ASSEMBLY - SEALED	251-259
		16	2WD Rear Wheel - In/Out	All	ROLLER BEARING ASSEMBLY - TAPERED CONE	254-94
		17	2WD Rear Wheel - In/Out	All	BEARING RACE - TAPERED CUP	254-72
Reelmaster 3500D	<i>Cutting Unit</i>	15	Reel	All	BALL BEARING ASSEMBLY - DUAL ROW EXT. RACE	59-6140
		16	Front & Rear Rollers	All	ROLLER BEARING ASSEMBLY - TAPERED CONE	254-78
		17	Front & Rear Rollers	All	BEARING RACE - TAPERED CUP	254-79
		15	Dethatcher - Reel	All	BALL BEARING ASSEMBLY - DUAL ROW EXT. RACE	59-6140
	<i>Traction Unit</i>	8	Neutral Centering Device	All	BALL BEARING ASSEMBLY - SEALED	251-259
		16	2WD Rear Wheel - Inner	All	ROLLER BEARING ASSEMBLY - TAPERED CONE	254-106
		17	2WD Rear Wheel - Inner	All	BEARING RACE - TAPERED CUP	254-107
		16	2WD Rear Wheel - Outer	All	ROLLER BEARING ASSEMBLY - TAPERED CONE	254-92
		17	2WD Rear Wheel - Outer	All	BEARING RACE - TAPERED CUP	254-72
		8	Neutral Centering Device	All	BALL BEARING ASSEMBLY - SEALED	251-259
Reelmaster 3550D	<i>Cutting Unit</i>	8	Front & Rear Roller	2013	BEARING - SEALED	140-5510
		7	Front & Rear Roller	2013	BEARING - STAINLESS STEEL	112-5290
	<i>Traction Unit</i>	8	Neutral Centering Device	All	BALL BEARING ASSEMBLY - SEALED	251-259
		17	Hydraulic Pump ASM	2013	BEARING - CUP	104-4046
		16	Hydraulic Pump ASM	2013	BEARING - CONE	98-4639
2	Hydraulic Pump ASM	2013	BEARING - THRUST	252-66		
Reelmaster 4000D	<i>Cutting Unit</i>	15	Reel	All	BALL BEARING ASSEMBLY - DUAL ROW EXT. RACE	59-6140
		16	Front & Rear Rollers	All	ROLLER BEARING ASSEMBLY - TAPERED CONE	254-78
Reelmaster 4500D	<i>Cutting Unit</i>	17	Front & Rear Rollers	All	BEARING RACE - TAPERED CUP	254-79
		15	Dethatcher - Reel	All	BALL BEARING ASSEMBLY - DUAL ROW EXT. RACE	59-6140
	<i>Traction Unit</i>	16	2WD Rear Wheel - Inner	All	ROLLER BEARING ASSEMBLY - TAPERED CONE	254-106
		17	2WD Rear Wheel - Inner	All	BEARING RACE - TAPERED CUP	254-107
		16	2WD Rear Wheel - Outer	All	ROLLER BEARING ASSEMBLY - TAPERED CONE	254-92
17	2WD Rear Wheel - Outer	All	BEARING RACE - TAPERED CUP	254-72		
Reelmaster 7000D	<i>Cutting Unit</i>	14	Reel	All	BALL BEARING ASSEMBLY - DUAL ROW	93-2489
		7	Rear Roller	All	BALL BEARING ASSEMBLY - OUTER SEAL ONLY	112-5290
Reelmaster Transport Frame	<i>Traction Unit</i>	16	Wheel	All	ROLLER BEARING ASSEMBLY - TAPERED CONE	254-62
		17	Wheel	All	BEARING RACE - TAPERED CUP	115-9471
	<i>Cutting Unit</i>	16	Reel	All	ROLLER BEARING ASSEMBLY - TAPERED CONE	254-94
		17	Reel	All	BEARING RACE - TAPERED CUP	254-72
		2	Reel Adjustment Knob	All	THRUST BEARING CAGE ASSEMBLY	257-6
		16	Drive Wheel Gear Hub	All	ROLLER BEARING ASSEMBLY - TAPERED CONE	254-78
		17	Drive Wheel Gear Hub	All	BEARING RACE - TAPERED CUP	254-79
		3	Idler Pinion Gear	All	NEEDLE BEARING ASSEMBLY	252-6
		16	Rear Roller	All	ROLLER BEARING ASSEMBLY - TAPERED CONE	254-78
		17	Rear Roller	All	BEARING RACE - TAPERED CUP	254-79

Groundsmaster

Equipment	Application	Fig. No.	Component	Year	DESCRIPTION	Part No.
Groundsmaster 52 62	<i>Traction Unit</i>	8	Neutral Centering Device	All	BALL BEARING ASSEMBLY - SEALED	251-259
		3	Steering Pivot Arm - Front	All	NEEDLE BEARING ASSEMBLY	252-6
		12	Front Axle - Outer Bearing	All	ROLLER BEARING ASSEMBLY	21-8180
Groundsmaster 72	<i>Deck</i>	7	Blade Spindle	1973-77	BALL BEARING ASSEMBLY - OUTER SEAL ONLY	251-257
	<i>Traction Unit</i>	8	Neutral Centering Device	All	BALL BEARING ASSEMBLY - SEALED	251-259
		13	Engine Output Shaft Support	All	BALL BEARING - SELF ALIGNING W/COLLAR	251-252
		13	PTO Shaft Support	All	BALL BEARING - SELF ALIGNING W/COLLAR	251-252
		12	Front Axle - Outer Bearing	All	ROLLER BEARING ASSEMBLY	21-8180

Groundsmaster® - continued

Equipment	Application	Fig. No.	Component	Year	Description	Part No.	
Groundsmaster 200 Series	<i>52"/62" RD/SD</i>	6	Front Caster Wheel	1989 & Up	ROLLER BEARING CAGE ASSEMBLY	62-5570	
		6	Front Caster Wheel	1989 & Up	BEARING - FLANGE	62-5580	
	<i>72" SD Deck</i>	6	Front Caster Wheel	1989 & Up	ROLLER BEARING CAGE ASSEMBLY	62-5570	
		6	Front Caster Wheel	1989 & Up	BEARING - FLANGE	62-5580	
		6	Rear Caster Wheel	1998 & Up	ROLLER BEARING CAGE ASSEMBLY	63-8580	
		6	Rear Caster Wheel	1998 & Up	BEARING - FLANGE	62-5580	
	<i>62" Guardian</i>	6	Front & Rear Caster Wheel	All	ROLLER BEARING CAGE ASSEMBLY	83-4740	
		6	Front & Rear Caster Wheel	All	BEARING - FLANGE	62-5580	
	<i>Debris Blower</i>	6	Caster Wheel	All	ROLLER BEARING CAGE ASSEMBLY	62-5570	
		6	Caster Wheel	All	BEARING - FLANGE	62-5580	
	<i>Traction Unit</i>	8	Neutral Centering Device	All	BALL BEARING ASSEMBLY - SEALED	251-259	
		12	Front Axle - Outer Bearing	All	ROLLER BEARING ASSEMBLY	21-8180	
		16	2WD Rear Wheel - In/Out	All	ROLLER BEARING ASSEMBLY - TAPERED CONE	254-94	
		17	2WD Rear Wheel - In/Out	All	BEARING RACE - TAPERED CUP	254-72	
		8	4WD Rear Axle Knuckle	1993-99	BALL BEARING ASSEMBLY - SEALED	251-347	
	Groundsmaster 300 Series	<i>72" RD/SD</i>	21	Blade Spindle	All	BEARING & SPACER SET	49-8320
			6	Front Caster Wheel	1988-91	ROLLER BEARING CAGE ASSEMBLY	62-5570
6		Front Caster Wheel	1992 & Up	ROLLER BEARING CAGE ASSEMBLY	83-4740		
6		Front Caster Wheel	1988 & Up	BEARING - FLANGE	62-5580		
6		Rear Caster Wheel	1988 & Up	ROLLER BEARING CAGE ASSEMBLY	63-8580		
6		Rear Caster Wheel	1988 & Up	BEARING - FLANGE	62-5580		
10		Foam Filled Caster Wheel	All	BALL BEARING ASSEMBLY - SEALED	120-5378		
11		10" Segmented Caster Wheel	All	BALL BEARING ASSEMBLY - FLANGED	251-321		
Groundsmaster 300 Series	<i>72" Guardian</i>	21	Blade Spindle	All	BEARING & SPACER SET	71-2530	
		6	Front & Rear Caster Wheel	All	ROLLER BEARING CAGE ASSEMBLY	83-4740	
		6	Front & Rear Caster Wheel	All	BEARING - FLANGE	62-5580	
		10	Foam Filler Caster Wheel	All	BALL BEARING ASSEMBLY - SEALED	120-5378	
	11	10" Segmented Caster Wheel	All	BALL BEARING ASSEMBLY - FLANGED	251-321		
	<i>72" Flex</i>	21	Blade Spindle	All	BEARING & SPACER SET	71-2530	
		6	Caster Wheel	All	ROLLER BEARING CAGE ASSEMBLY	62-5570	
		6	Caster Wheel	All	BEARING - FLANGE	62-5580	
		10	Foam Filler Caster Wheel	All	BALL BEARING ASSEMBLY - SEALED	120-5378	
		11	10" Segmented Caster Wheel	All	BALL BEARING ASSEMBLY - FLANGED	251-321	
	<i>88" TriFlex</i>	6	Front Caster Wheel	1988-90	ROLLER BEARING CAGE ASSEMBLY	62-5570	
6		Front Caster Wheel	1991-94	ROLLER BEARING CAGE ASSEMBLY	83-4740		
6		Front Caster Wheel	All	BEARING - FLANGE	62-5580		
6		Rear Caster Wheel	All	ROLLER BEARING CAGE ASSEMBLY	63-8580		
6		Rear Caster Wheel	All	BEARING - FLANGE	62-5580		
10		Foam Filler Caster Wheel	All	BALL BEARING ASSEMBLY - SEALED	120-5378		
11		10" Segmented Caster Wheel	All	BALL BEARING ASSEMBLY - FLANGED	251-321		
<i>Debris Blower</i>		6	Caster Wheel	All	ROLLER BEARING CAGE ASSEMBLY	83-4740	
		6	Caster Wheel	All	BEARING - FLANGE	62-5580	
		<i>Traction Unit</i>	13	Engine Output Shaft Support	All	BALL BEARING - SELF ALIGNING W/COLLAR	251-252
			13	PTO Shaft Support	All	BALL BEARING - SELF ALIGNING W/COLLAR	251-252
	8		Neutral Centering Device	All	BALL BEARING ASSEMBLY - SEALED	251-259	
	12		Front Axle - Outer Bearing	All	ROLLER BEARING ASSEMBLY	21-8180	
	16		2WD Rear Wheel - In/Out	All	ROLLER BEARING ASSEMBLY - TAPERED CONE	254-94	
	17		2WD Rear Wheel - In/Out	All	BEARING RACE - TAPERED CUP	254-72	
	8		4WD Rear Axle Knuckle	1991-98	BALL BEARING ASSEMBLY - SEALED	251-347	
	17		2WD Wheel Motor & Spindle Assembly	All	BEARING RACE - TAPERED CUP	254-72	
	Groundsmaster 360	<i>Traction Unit</i>	16	2WD Wheel Motor & Spindle Assembly	All	ROLLER BEARING ASSEMBLY - TAPERED CONE	254-92
Groundsmaster 455D	<i>126" Quadfloat</i>	21	Blade Spindle	All	BEARING & SPACER SET	71-2530	
		10	Caster Wheels	1996-03	BALL BEARING ASSEMBLY - SEALED	120-5378	
		11	Segmented Caster Wheels	1992-00	BALL BEARING ASSEMBLY - FLANGED	251-321	
	<i>Traction Unit</i>	8	Neutral Centering Device	All	BALL BEARING ASSEMBLY - SEALED	251-259	
		16	2WD Rear Wheel - Inner	1992-93	ROLLER BEARING ASSEMBLY - TAPERED CONE	254-92	
		17	2WD Rear Wheel - Inner	1992-93	BEARING RACE - TAPERED CUP	254-72	
		16	2WD Rear Wheel - Inner	1994 & Up	ROLLER BEARING ASSEMBLY - TAPERED CONE	254-106	
		17	2WD Rear Wheel - Inner	1994 & Up	BEARING RACE - TAPERED CUP	254-107	
		16	2WD Rear Wheel - Outer	All	ROLLER BEARING ASSEMBLY - TAPERED CONE	254-92	
17	2WD Rear Wheel - Outer	All	BEARING RACE - TAPERED CUP	254-72			

QUICK REFERENCE GUIDE

BEARINGS

Groundsmaster® - continued

Equipment	Application	Fig. No.	Component	Year	Description	Part No.
Groundsmaster 580D	<i>Center/Wing Decks</i>	21	Blade Spindle	All	BEARING & SPACER SET	71-2530
		11	Caster Wheels	1989-95	BALL BEARING ASSEMBLY - FLANGED	251-321
		10	Caster Wheels	1995 & Up	BALL BEARING ASSEMBLY - SEALED	120-5378
	<i>Traction Unit</i>	8	Neutral Centering Device	All	BALL BEARING ASSEMBLY - SEALED	251-259
		5	Hydraulic Pump Drive Shaft	1995 & Up	CROSS & BEARING ASSEMBLY	92-4187
		16	2WD Rear Wheel - Inner	All	ROLLER BEARING ASSEMBLY - TAPERED CONE	254-106
		17	2WD Rear Wheel - Inner	All	BEARING RACE - TAPERED CUP	254-107
		16	2WD Rear Wheel - Outer	All	ROLLER BEARING ASSEMBLY - TAPERED CONE	254-92
17		2WD Rear Wheel - Outer	All	BEARING RACE - TAPERED CUP	254-72	
Groundsmaster 1200			Bearing-Flange, 2 Bolt	All	BEARING-FLANGE, 2 BOLT	140-7039
Groundsmaster 3000 3000D	<i>72" Decks</i>	21	Blade Spindle	All	BEARING & SPACER SET	71-2530
		10	Front Caster Wheel	All	BALL BEARING ASSEMBLY - SEALED	120-5378
	<i>Debris Blower</i>	6	Caster Wheel	All	ROLLER BEARING CAGE ASSEMBLY	83-4740
		6	Caster Wheel	All	BEARING - FLANGE	62-5580
	<i>Rotary Broom</i>	10	Front Caster Wheel	All	BALL BEARING ASSEMBLY - SEALED	120-5378
	<i>Traction Unit</i>	16	2WD Rear Wheel - In/Out	1996-98	ROLLER BEARING ASSEMBLY - TAPERED CONE	254-94
		16	2WD Rear Wheel - In/Out	1999-00	ROLLER BEARING ASSEMBLY - TAPERED CONE	254-92
		17	2WD Rear Wheel - In/Out	All	BEARING RACE - TAPERED CUP	254-72
Groundsmaster 3280D 3320	<i>52" SD Deck</i>	6	Front Caster Wheel	All	ROLLER BEARING CAGE ASSEMBLY	62-5570
		6	Front Caster Wheel	All	BEARING - FLANGE	62-5580
	<i>60"/62"/72"</i>	10	Front Caster Wheel	All	BALL BEARING ASSEMBLY - SEALED	120-5378
		<i>Traction Unit</i>	8	Neutral Centering Device	All	BALL BEARING ASSEMBLY - SEALED
	12		Front Axle - Outer Bearing	All	ROLLER BEARING ASSEMBLY	21-8180
	16		2WD Rear Wheel - In/Out	All	ROLLER BEARING ASSEMBLY - TAPERED CONE	254-94
	17	2WD Rear Wheel - In/Out	All	BEARING RACE - TAPERED CUP	254-72	
Groundsmaster 4000D 4100D	<i>132"/124 RD</i>	10	Front Caster Wheel	All	BALL BEARING ASSEMBLY - SEALED	120-5378
		*	Impact Arm	2010 & Up	BEARING - PLASTIC	105-4552
	<i>Debris Blower</i>	10	Front Caster Wheel	All	BALL BEARING ASSEMBLY - SEALED	120-5378
	<i>Rotary Broom</i>	10	Front Caster Wheel	All	BALL BEARING ASSEMBLY - SEALED	120-5378
Groundsmaster 3500D 3505D	<i>27" RD Deck</i>	10	Front Rollers	All	BALL BEARING ASSEMBLY - SEALED	120-3366
		8	Rear Roller	2000-03	BALL BEARING ASSEMBLY - SEALED	251-347
	7	Rear Roller	2004-06	BALL BEARING ASSEMBLY - OUTER SEAL ONLY	109966	
	7	Rear Roller	2007 & Up	BALL BEARING ASSEMBLY - OUTER SEAL ONLY	112-5290	
	<i>Traction Unit</i>	8	Neutral Centering Device	All	BALL BEARING ASSEMBLY - SEALED	251-259
		16	2WD Rear Wheel - In/Out	All	ROLLER BEARING ASSEMBLY - TAPERED CONE	254-94
		17	2WD Rear Wheel - In/Out	All	BEARING RACE - TAPERED CUP	254-72
Groundsmaster 4500D 4700D	<i>27" RD Deck</i>	10	Front Rollers	All	BALL BEARING ASSEMBLY - SEALED	120-3366
		8	Rear Roller	2000-03	BALL BEARING ASSEMBLY - SEALED	251-347
	7	Rear Roller	2004-06	BALL BEARING ASSEMBLY - OUTER SEAL ONLY	109966	
	7	Rear Roller	2007 & Up	BALL BEARING ASSEMBLY - OUTER SEAL ONLY	112-5290	
Groundsmaster 5900 5910	<i>Traction Unit</i>	*	Piston Pump Assembly	2013 & Up	BEARING - ROLLER	125-5279
		*	Center Front Deck	All	BEARING - SPHERICAL	105-7441
		*	Double Driven Spindle	All	BEARING ASSEMBLY	110-8297
		*	High Driven Spindle	All	BEARING ASSEMBLY	110-8297
		*	Driving Spindle	All	BEARING ASSEMBLY	110-8297
		*	Driving Spindle Assembly	2016 & Up	BEARING SPACER SET	108-1954
		*	10" Wheel Assembly	2011 & Up	BEARING - 10" WHEEL	120-3366
		*	LH Deck Connection	2008 & Up	CROSS & BEARING KIT	104-4299
		*	Traction Pedal	All	BEARING - MOUNT, FLANGE	256-236
Groundsmaster 7200 7210	<i>62"/72" Deck</i>	16	Front Caster Wheel Fork	All	ROLLER BEARING ASSEMBLY - TAPERED CONE	254-106
		17	Front Caster Wheel Fork	All	BEARING RACE - TAPERED CUP	254-107

Aerator

Equipment	Application	Fig. No.	Component	Year	Description	Part No.
ProCore 440	<i>Aerator</i>	8	Flywheel Shaft	All	BALL BEARING ASSEMBLY - SEALED	100-5396
		8	Stomper Arm	All	BALL BEARING ASSEMBLY - SEALED	100-7599
		10	Bottom Link Arm	All	BALL BEARING ASSEMBLY - SEALED	100-7621
ProCore 660 880	<i>Aerator</i>	8	Flywheel Shaft	All	BALL BEARING ASSEMBLY - SEALED	100-5396
		8	Stomper Arm	All	BALL BEARING ASSEMBLY - SEALED	100-5386
		10	Bottom Link Arm	All	BALL BEARING ASSEMBLY - SEALED	100-7621

QUICK REFERENCE GUIDE

BEARINGS

Aerator - continued

Equipment	Application	Fig. No.	Component	Year	Description	Part No.
ProCore 648	<i>Aerator</i>	8	Neutral Centering Device	All	BALL BEARING ASSEMBLY - SEALED	251-259
		8	Crank Arm	All	BALL BEARING ASSEMBLY - SEALED	105-0965
		8	Stomper Arm	All	BALL BEARING ASSEMBLY - SEALED	106-8871
ProCore 864 1298	<i>Aerator</i>	8	Crank Arm Housing	All	BALL BEARING ASSEMBLY - SEALED	110-4555
		8	Stomper Arm	All	BALL BEARING ASSEMBLY - SEALED	110-4556
		5	Drive Shaft (Shielded)	All	CROSS & BEARING ASSEMBLY	110-4635
		5	Drive Shaft	All	CROSS & BEARING ASSEMBLY	110-4641
		8	Drive Pulley Support	All	BALL BEARING ASSEMBLY - SEALED	106-8871
ProCore Processor	<i>Aerator</i>	16	Wheel - Inner	All	ROLLER BEARING ASSEMBLY - TAPERED CONE	254-106
		17	Wheel - Inner	All	BEARING RACE - TAPERED CUP	254-107
		16	Wheel - Outer	All	ROLLER BEARING ASSEMBLY - TAPERED CONE	254-92
		17	Wheel - Outer	All	BEARING RACE - TAPERED CUP	254-72
Hydroject 3000 3010	<i>Aerator</i>	8	Neutral Centering Device	All	BALL BEARING ASSEMBLY - SEALED	251-259
		16	Rear Wheel - In/Out	All	ROLLER BEARING ASSEMBLY - TAPERED CONE	254-94
		17	Rear Wheel - In/Out	All	BEARING RACE - TAPERED CUP	254-72
Hydroject Hitch Kit	<i>Aerator</i>	11	Caster Wheel	All	BALL BEARING ASSEMBLY - FLANGED	251-321

Workman®

Equipment	Application	Fig. No.	Component	Year	DESCRIPTION	Part No.
Workman 1110 2110	<i>Vehicle</i>	8	Steering Gearbox	All	BALL BEARING ASSEMBLY - SEALED	251-82
		8	Steering Gearbox	All	BALL BEARING ASSEMBLY - SEALED	38-7820
		8	Shift Lever Detent	All	BALL BEARING ASSEMBLY - SEALED	251-259
		16	2WD Front Wheel - Inner	All	ROLLER BEARING ASSEMBLY - TAPERED CONE	254-106
		17	2WD Front Wheel - Inner	All	BEARING RACE - TAPERED CUP	254-107
		16	2WD Front Wheel - Outer	All	ROLLER BEARING ASSEMBLY - TAPERED CONE	254-94
		17	2WD Front Wheel - Outer	All	BEARING RACE - TAPERED CUP	254-72
Workman 1300D	<i>Vehicle</i>	5	Rear Axle Shafts	All	CROSS & BEARING ASSEMBLY	92-4187
		19	Rear Axle Housings	All	BEARING & RETAINER SET	87-1970
Workman 3100	<i>Vehicle</i>	5	Rear Axle Shafts	All	CROSS & BEARING ASSEMBLY	92-4187
		19	Rear Axle Housings	All	BEARING & RETAINER SET	87-1970
		16	2WD Front Wheel - Inner	All	ROLLER BEARING ASSEMBLY - TAPERED CONE	254-106
		17	2WD Front Wheel - Inner	All	BEARING RACE - TAPERED CUP	254-107
		16	2WD Front Wheel - Outer	All	ROLLER BEARING ASSEMBLY - TAPERED CONE	254-94
		17	2WD Front Wheel - Outer	All	BEARING RACE - TAPERED CUP	254-72
		20	Clutch Release	2006 & Up	THRUST BEARING W/BRACKETS	110-2538
		4	Transaxle Main Shaft	All	BALL BEARING ASSEMBLY - SINGLE ROW	251-8
		27	Gearshaft Assembly	All	BEARING - BALL	251-346
Workman Series 3200 3300 3400	<i>Vehicle</i>	8	Hydraulic Pump Drive Shaft	All	BALL BEARING ASSEMBLY - SEALED	251-82
		5	Rear Axle Shafts	All	CROSS & BEARING ASSEMBLY	92-4187
		19	Rear Axle Housings	All	BEARING & RETAINER SET	87-1970
		16	2WD Front Wheel - Inner	All	ROLLER BEARING ASSEMBLY - TAPERED CONE	254-106
		17	2WD Front Wheel - Inner	All	BEARING RACE - TAPERED CUP	254-107
		16	2WD Front Wheel - Outer	All	ROLLER BEARING ASSEMBLY - TAPERED CONE	254-94
		17	2WD Front Wheel - Outer	All	BEARING RACE - TAPERED CUP	254-72
		20	Clutch Release	2006 & Up	THRUST BEARING W/BRACKETS	110-2538
		4	Transaxle Main Shaft	All	BALL BEARING ASSEMBLY - SINGLE ROW	251-8
27	Gearshaft Assembly	All	BEARING - BALL	251-346		
Workman Series 4200 4300	<i>Vehicle</i>	8	Hydraulic Pump Drive Shaft	All	BALL BEARING ASSEMBLY - SEALED	251-82
		5	Rear Axle Shafts	All	CROSS & BEARING ASSEMBLY	92-4187
		19	Rear Axle Housings	All	BEARING & RETAINER SET	87-1970
		20	Clutch Release	2006 & Up	THRUST BEARING W/BRACKETS	110-2538
		4	Transaxle Main Shaft	All	BALL BEARING ASSEMBLY - SINGLE ROW	251-8
		27	Gearshaft Assembly	All	BEARING - BALL	251-346
Workman MDE	<i>Vehicle</i>	8	Steering Gearbox	All	BALL BEARING ASSEMBLY - SEALED	251-82
		8	Steering Gearbox	All	BALL BEARING ASSEMBLY - SEALED	38-7820
		16	2WD Front Wheel - Inner	All	ROLLER BEARING ASSEMBLY - TAPERED CONE	254-106
		17	2WD Front Wheel - Inner	All	BEARING RACE - TAPERED CUP	254-107
		16	2WD Front Wheel - Outer	All	ROLLER BEARING ASSEMBLY - TAPERED CONE	254-94
		17	2WD Front Wheel - Outer	All	BEARING RACE - TAPERED CUP	254-72

QUICK REFERENCE GUIDE

BEARINGS

Workman® - continued

Equipment	Application	Fig. No.	Component	Year	DESCRIPTION	Part No.
Workman MD MDX	<i>Vehicle</i>	8	Steering Gearbox	All	BALL BEARING ASSEMBLY - SEALED	251-82
		8	Steering Gearbox	All	BALL BEARING ASSEMBLY - SEALED	38-7820
		8	Shift Lever Detent	All	BALL BEARING ASSEMBLY - SEALED	251-259
		16	2WD Front Wheel - Inner	All	ROLLER BEARING ASSEMBLY - TAPERED CONE	254-106
		17	2WD Front Wheel - Inner	All	BEARING RACE - TAPERED CUP	254-107
		16	2WD Front Wheel - Outer	All	ROLLER BEARING ASSEMBLY - TAPERED CONE	254-94
		17	2WD Front Wheel - Outer	All	BEARING RACE - TAPERED CUP	254-72
Workman HD HDX HDX-D HDX Auto	<i>Vehicle</i>	5	Rear Axle Shafts	All	CROSS & BEARING ASSEMBLY	92-4187
		20	Clutch Release	All	THRUST BEARING W/BRACKETS	110-2538
		4	Transaxle Main Shaft	All	BALL BEARING ASSEMBLY - SINGLE ROW	251-8
		27	Gearshaft Assembly	All	BEARING - BALL	251-346
Workman GTX	<i>Vehicle</i>	16	Front Frame & Suspension	All	BEARING - CONE, TAPERED	254-94
		17	Front Frame & Suspension	All	BEARING - CUP, TAPERED	254-72
		8	Pedal and Control	All	BEARING - BALL	251-259

Multi Pro®

Equipment	Application	Fig. No.	Component	Year	Description	Part No.
Multi Pro 1100	<i>Traction Unit</i>	8	Transmission Input Shaft	All	BALL BEARING ASSEMBLY - SEALED	251-82
		12	Rear Axle - Inner/Outer	All	ROLLER BEARING ASSEMBLY	21-8180
		16	Front Wheel - In/Out	All	ROLLER BEARING ASSEMBLY - TAPERED CONE	254-94
		17	Front Wheel - In/Out	All	BEARING RACE - TAPERED CUP	254-72
Multi Pro 1200 1250 1750	<i>Traction Unit</i>	16	Gearbox Output Shaft	All	ROLLER BEARING ASSEMBLY - TAPERED CONE	254-94
		17	Gearbox Output Shaft	All	BEARING RACE - TAPERED CUP	254-72
		19	Rear Axle Housings	All	BEARING & RETAINER SET	87-1970
		5	Rear Axle Shafts	All	CROSS & BEARING ASSEMBLY	92-4187
		16	2WD Front Wheel - In/Out	All	ROLLER BEARING ASSEMBLY - TAPERED CONE	254-92
		17	2WD Front Wheel - In/Out	All	BEARING RACE - TAPERED CUP	254-72
		27	Gearshaft Assembly	All	BEARING - BALL	251-346
Multi Pro 5800D	<i>Traction Unit</i>	8	Front Wheel	All	BEARING - SPINDLE ASSEMBLY	93-6587
		17	Front Wheel	All	BEARING - SPINDLE ASSEMBLY CUP	115-9471
		16	Front Wheel	All	BEARING - SPINDLE ASSEMBLY CONE	254-62

Specialty Turf Equipment

Equipment	Application	Fig. No.	Component	Year	Description	Part No.
Rac-0-Vac Sweeper		16	Wheel Hub ASM	2013	ROLLER-BEARING, CONE	254-62
		16	Wheel Hub ASM	2013	ROLLER-BEARING, CONE	254-65
		17	Wheel Hub ASM	2013	ROLLER-BEARING, CUP	254-66
		17	Wheel Hub ASM	2013	ROLLER-BEARING, CUP	115-9471
		NA	Blower Fan	2013	BALL BEARING	56-6220
		NA	Rake ASM	2013	ROLLER	56-6230
		8	Clutch ASM	2013	BEARING- CLUTCH ASM	107-1054
		ProStripe 560		8	Lower ASM	All
8	Lower ASM			All	ROLLER BEARING	111-1492
ProCore CoreProcessor	<i>Aerator</i>	16	Wheel - Inner	All	ROLLER BEARING ASSEMBLY - TAPERED CONE	254-106
		17	Wheel - Inner	All	BEARING RACE - TAPERED CUP	254-107
		16	Wheel - Outer	All	ROLLER BEARING ASSEMBLY - TAPERED CONE	254-92
		17	Wheel - Outer	All	BEARING RACE - TAPERED CUP	254-72

Greensmaster® - Riders

Equipment	Description	Application	Part No.
Greensmaster 500	V-BELT	Transmission/Clutch	95-1811
Greensmaster 800	BELT	Reel Drive	65-6200
	BELT	Transport Wheel Drive	65-6210
	BELT	Drum Drive	65-9080
	BELT	Groomer Drive	65-9700
	V-BELT (SET OF 2)	Countershaft Drive	92-9218
Greensmaster 1000	BELT	Reel Drive	65-6200
	BELT	Transport Wheel Drive	65-6210
	BELT	Drum Drive	65-9080
	BELT	Groomer Drive	65-9700
	V-BELT (SET OF 2)	Countershaft Drive (1990-95 - 04050 & 04051)	65-7270
	V-BELT (SET OF 2)	Countershaft Drive (1995 & Up - 04052)	92-9218
Greensmaster 1600 2600	BELT	Reel Drive	65-6200
	BELT	Transport Wheel Drive	65-6210
	BELT	Drum Drive	65-9080
	BELT	Groomer Drive	65-9700
	V-BELT (SET OF 2)	Countershaft Drive	92-9218
Greensmaster Flex 18 1800 1820	BELT	Reel Drive	99-2022
	BELT	Drum Drive	117-1353
	BELT	Groomer Drive	120-2763
	BELT	Reel Drive	115-6743
	BELT	Drum Drive	115-6744
Greensmaster Flex 21 2100 2120	BELT	Reel Drive	99-2022
	BELT	Drum Drive (2001-2005)	99-2023
	BELT	Drum Drive (2006 & Up)	117-1353
	BELT	Groomer Drive	120-2763
	BELT	Reel Drive	115-6743
	BELT	Drum Drive	115-6744
Greensmaster 3000D	V-BELT	Alternator/Water Pump Drive (1989-1996)	67-4410
Greensmaster Cutting Units	MULTI-ROW V-BELT	Groomer Drive (3050 & 3200 Style Cutting Units)	95-0728
	BELT	Groomer Drive (3/300/3000 Style Cutting Units)	65-9700
	BELT	Groomer Drive (DPA Cutting Units)	120-2763
	V-BELT	Right Hand Roller Brush Assembly	105-5720
Greensmaster 3300 3320 3400 3420	V-BELT	Alternator/Engine ASM	119-4486
	V-BELT	Generator and Engine Frame ASM	117-4464

Reelmaster®

Equipment	Description	Application	Part No.
Reelmaster 216	V-BELT	Reel Drive	61-3380
	BELT	Jackshaft Drive	61-3390
	MULTI-ROW V-BELT	Pump Drive	61-3400
Reelmaster 216D	V-BELT	Cooling Fan Drive	83-9020
	MULTI-ROW V-BELT	Jackshaft Drive	92-3187
Reelmaster 2000D 2300D 2600D	MULTI-ROW V-BELT	Pump Drive	93-6840
Reelmaster 3100D	MULTI-ROW V-BELT	Pump Drive	95-8730
	V-BELT	Alternator Drive	130-1241
Reelmaster 335D 3500D/3550D 3555D 3575D	BELT	Reel Drive	47-7160
	BELT	Dethatcher Reel Drive	47-7160
	BELT	Timing Belt	74-8830
	BELT	V-Belt Alternator and pulley system	104-3494
	BELT	3V-Belt Piston Pump and Gear Asm	99-3619
Reelmaster 450D	BELT	Reel Drive	47-7160
	BELT	Dethatcher Reel Drive	47-7160
	BELT	Fan Belt	62-6390

QUICK REFERENCE GUIDE

BELTS

Reelmaster[®] - continued

Equipment	Description	Application	Part No.
Reelmaster 4000D	BELT	Reel Drive	47-7160
	BELT	Dethatcher Reel Drive	47-7160
	V-BELT	Alternator Drive	98-7705
Reelmaster 4500D	BELT	Reel Drive	47-7160
	BELT	Dethatcher Reel Drive	47-7160
Reelmaster 223D 5100D 5300D	V-BELT	Alternator/Water Pump Drive	67-4410
Reelmaster 5200D 5400D	V-BELT	Alternator Drive	98-9676
	BELT	Rear Roller Brush Drive	108-6709
Reelmaster 5500D	V-BELT	Cooling Fan Drive	98-3921
	V-BELT	Alternator Drive	98-9676
	BELT	Rear Roller Brush Drive	108-6713
	BELT	Groomer Drive	108-0617
Reelmaster 5210 5410	V-BELT	Alternator Drive	98-9676
	BELT	Rear Roller Brush Drive	110-1746
	BELT	Groomer Drive	108-4497
Reelmaster 5510 5610	V-BELT	Alternator Drive	98-9676
	BELT	Rear Roller Brush Drive	110-1747
	BELT	Groomer Drive	110-1716
Reelmaster 6500D 6700D	MULTI-ROW V-BELT	Alternator Drive - Peugeot	94-3256
	V-BELT	Alternator Drive - Kubota	98-9676
	BELT	Rear Roller Brush Drive	108-6713
	BELT	Timing Belt (1995-2001 serial up to 210999999)	74-8830
	BELT	Rear Roller Brush Drive (SPA Cutting Units)	108-6713
	BELT	Groomer Drive (SPA Cutting Units)	108-0617
	BELT	Rear Roller Brush Drive (DPA Cutting Units)	110-1747
	BELT	Groomer Drive (DPA Cutting Units)	110-1716
Reelmaster 7000D	BELT	Alternator/Pulley ASM	120-5824

Groundsmaster[®]

Equipment	Description	Application	Part No.
Groundsmaster 52	V-BELT	PTO Drive (2 Req'd.)	41-9150
Groundsmaster 62	MULTI-ROW V-BELT	PTO Drive	44-8990
Groundsmaster 217D	MULTI-ROW V-BELT	PTO Drive	44-8990
Groundsmaster 220	MULTI-ROW V-BELT	PTO Drive	44-8990
Groundsmaster Series Decks 52 62 200	V-BELT	52" RD & SD Deck - Spindle Drive	27-1160
	V-BELT	62" RD & SD Deck - Spindle Drive	44-6260
	V-BELT	62" Guardian - Spindle Drive	92-5588
	V-BELT	72" SD Deck - Spindle Drive	57-0240
Groundsmaster 223D	V-BELT	PTO Drive	63-6240
	V-BELT	Alternator/Water Pump Drive (1992-1997)	67-4410
Groundsmaster 224	V-BELT	PTO Drive	63-6240
	V-BELT	Alternator/Water Pump Drive	67-4410
Groundsmaster 225	V-BELT	PTO Drive	63-6240
	V-BELT	Alternator/Water Pump Drive (1999-2004)	99-9156
Groundsmaster 228D	V-BELT	PTO Drive	63-6240
	V-BELT	Alternator/Water Pump Drive	104-3494
Groundsmaster 322D 325D	MULTI-ROW V-BELT	PTO Drive	106-4383
	V-BELT	Alternator Drive	42-9100
	BELT	Fan Belt	43-5910
Groundsmaster 327	MULTI-ROW V-BELT	PTO Drive	106-4383
Groundsmaster 328D	V-BELT	Alternator Drive	98-9676
	MULTI-ROW V-BELT	PTO Drive	106-4383
	BELT	Fan Belt	105-3693

Groundsmaster® - continued

Equipment	Description	Application	Part No.
Groundsmaster 345	MULTI-ROW V-BELT	PTO Drive	106-4383
	V-BELT	Fan Belt	67-8510
	V-BELT	Alternator Drive (1994-2004)	92-9785
Groundsmaster 300 Series Decks	V-BELT	72" RD & SD Deck - Spindle Drive (3 Reqd.)	21-0890
	HEX-BELT	72" Guardian Deck - Spindle Drive	93-8457
	V-BELT	88" Triflex Center Deck - Spindle Drive	63-1510
	V-BELT	88" Triflex Wing Decks - Spindle Drive	72-3760
	V-BELT	72" Flex Deck Center Deck - Spindle Drive	99-9770
Groundsmaster 1200	V-BELT	72" Flex Deck Wing Deck - Spindle Drive	99-9771
	V-BELT	GM 1200 Deck	137-3644
Groundsmaster 3000 3000D	V-BELT	GM 1200 Deck	137-3645
	HEX-BELT	72" SD & RD & Guardian - Spindle Drive	93-8457
Groundsmaster 3280D	V-BELT	84" RD & Guardian - Wing Deck Drive	93-4839
	HEX-BELT	84" RD & Guardian - Center Deck Drive	93-4838
	MULTI-ROW V-BELT	PTO Drive	63-6240
Groundsmaster 3320	V-BELT	Alternator/Water Pump Drive	104-3494
	MULTI-ROW V-BELT	PTO Drive	63-6240
Groundsmaster 360	V-BELT	Alternator/Water Pump Drive	99-9156
	V-BELT	Engine Component Assembly	115-0123
	V-BELT	Air Conditioning Assembly	117-3399
	V-BELT	72" Guardian Deck - Right Spindle Drive	110-9592
	V-BELT	72" Guardian Deck - Left Spindle Drive	110-9593
	V-BELT	72" SD Deck - Left Spindle Drive	110-9591
Groundsmaster 3500D 3505D	V-BELT	72" SD Deck - Right Spindle Drive	110-9590
	V-BELT	Alternator Drive	98-9676
Groundsmaster 4000D	MULTI-ROW V-BELT	Hydrostat Drive	99-3619
	V-BELT	Spindle Drive	55-7660
Groundsmaster 4100D	V-BELT	Alternator Drive	98-7705
	V-BELT	Alternator Drive	98-7705
Groundsmaster 4300D	V-BELT	Fan / Alternator	98-9676
	V-BELT	Alternator Drive	98-7705
Groundsmaster 455D	MULTI-ROW V-BELT	Alternator Drive	94-3256
	V-BELT	Wing Decks - Spindle Drive (1992-00 #20000200)	86-1960
	V-BELT	Wing Decks - Spindle Drive (2000 #20000201-03)	100-2588
	V-BELT	126" Quadfloat Center Deck - Spindle Drive	86-1970
	BELT	Timing Belt	74-8830
Groundsmaster 580D	HEX-BELT	Center Deck - Spindle Drive	93-8457
	V-BELT	Wing Deck - Spindle Drive	99-2318
Groundsmaster 5900 / 5910	V-BELT	Center Deck - Spindle Drive	112-7376
	V-BELT	Center & Wing Deck - Spindle Drive	112-7377
Groundsmaster 7200 7210	V-BELT	Alternator Drive	98-9676
	V-BELT	62" Guardian Deck - Left Spindle Drive	110-9595
	V-BELT	62" Guardian Deck - Right Spindle Drive	110-9594
	V-BELT	72" Guardian Deck - Left Spindle Drive	110-9593
	V-BELT	72" Guardian Deck - Right Spindle Drive	110-9592
	V-BELT	72" SD Deck - Left Spindle Drive	110-9591
	BELT DRIVE	60" SD Deck - Spindle Drive	105-0887
V-BELT	60" SD Deck - Spindle Drive	67-6920	

Aerator

Equipment	Description	Application	Part No.
ProCore 440	V-BELT	72" SD Deck - Right Spindle Drive	110-9590
	MULTI-ROW V-BELT	Stomper Arm Drive	100-7644
ProCore 660 880	MULTI-ROW V-BELT	Tine Drive	100-5392
	MULTI-ROW V-BELT	Stomper Arm Drive	100-5392
ProCore 648	MULTI-ROW V-BELT	Primary Drive Belt	105-0989
	MULTI-ROW BELT	Secondary Drive Belt	105-0991
ProCore 864 1298	MULTI-ROW BELT	Secondary Drive Belt	110-4327

QUICK REFERENCE GUIDE

BELTS

Workman

Equipment	Description	Application	Part No.
Workman 1100	MULTI-ROW BELT	Transmission Drive	99-7143
Workman 1300D	V-BELT	Hydraulic Pump Drive	93-7140
	V-BELT	Alternator/Water Pump Drive	98-2947
Workman 2100 2110	V-BELT	Starter	99-7133
	V-BELT	CVT Transmission Drive	99-7144
Workman 3100 3120	V-BELT	Hydraulic Pump Drive	87-8370
Workman 3200 4200	V-BELT	Governor Drive (1993-2001)	87-3200
	V-BELT	Hydraulic Pump Drive (1993-2001)	87-3210
	V-BELT	Hydraulic Pump Drive (2002 & Up)	93-7140
	V-BELT	Alternator/Water Pump Drive (1993-2001)	92-2041
	V-BELT	Alternator/Water Pump Drive (2002 & Up)	99-9156
Workman 210 3220 3420	V-BELT	Governor Drive	87-3200
	V-BELT	Alternator/Water Pump Drive	92-2041
Workman 3300D 4300D	V-BELT	Hydraulic Pump Drive (1993-1997)	87-3210
	V-BELT	Hydraulic Pump Drive (1998 & Up)	93-7140
	V-BELT	Alternator/Water Pump Drive (1993-1997)	67-4410
	V-BELT	Alternator/Water Pump Drive (1998-2001)	98-2947
	V-BELT	Alternator/Water Pump Drive (2002 & Up)	99-9156
Workman 3310D 3320D	V-BELT	Hydraulic Pump Drive	93-7140
	V-BELT	Alternator/Water Pump Drive	98-2947
Workman MD	V-BELT	Starter	112-3131
	MULTI-ROW BELT	Transmission Drive	99-7143
Workman MDX	V-BELT	Starter	112-2911
	MULTI-ROW BELT	Transmission Drive	112-2912
	V-BELT	Engine, Clutch/Air Cleaner	136-6296
Workman MDX-D	V-BELT	Starter	112-2511
Workman HD	V-BELT	Hydraulic Pump Drive	87-8370
Workman HDX/HDX-D	V-BELT	Alternator/Water Pump Drive (2009-2013)	117-4922
	V-BELT	Alternator/Water Pump Drive (2013 & Up)	110-3796
HDX Auto	BELT-CVT	Belt-Gearbox Assembly	121-9612

Multi Pro[®]

Equipment	Description	Application	Part No.
1100	BELT	Traction Drive	41679
1200	BELT	Engine and Gearbox Assembly	117-5896
1250	BELT	Engine and Gearbox Assembly	117-5896
1750	BELT - SYNCHRONOUS	Engine Mount	125-0765
5700	V-BELT	Alternator Drive	98-9676
5800	V-BELT	Alternator Drive	98-9676

Specialty Turf Equipment

Equipment	Description	Application	Part No.
ProCore Core Processor	V-BELT	Engine Drive (Set of 3)	110-2772
	V-BELT	Chopper Drive	115-8957
	BELT	Brush Drive	112-4254
	V-BELT	Corner Shaft	115-2951
Rac-O-Vac Sweeper	V-BELT	Engine & Clutch / Muffler Assembly	13-2650
	V-BELT	Impeller / Engine, Clutch & Muffler Assembly	93-0183
	V-BELT	Guard Assembly	93-4034
ProStripe 560	BELT	BELT-VARIATOR (520)	411024

QUICK REFERENCE GUIDE

ROLLERS

Groundsmaster[®]

Equipment	Description	Part No.
Groundsmaster 3500D/3505D/4000D/ 4100D/4500D/4700D/ 5900D/5910/7200/ 7210/360	ROLLER ASM - UHMW*	131-7800
	BALLAST KIT - UHMW ROLLER, 27" CU	136-2881
	BALLAST KIT - UHMW ROLLER, 22" CU	136-2915
	ROLLER ASSEMBLY	136-2908
	ROLLER AND BRACKET KIT	112-5291
	ROLLER ASSEMBLY (2007 & UP)	137-6141
	CENTER DECK ROLLER	93-4803
	CENTER DECK ROLLER	68-6710
	PLASTIC ROLLER (GM 4500D/4700D)	105-9816
	ROLLER (GM 3500D/4300/4500D/4700D)	104-1093
	ROLLER (GM 4000D/4100D/7200/7210)	29-4820
	REAR ROLLER (GM 4300-D)	137-6143
	Groundsmaster 200/300 Series	REAR ROLLER
FRONT ROLLER		68-6710
FRONT ROLLER (GM 300 SERIES)		31-0750
WHEEL GAGE (GM 300 SERIES)		93-4747

Greensmaster[®] - Walkers

Equipment	Description	Length (inches)	Part No.
Greensmaster 800 1000/1600 2000/2600	WIDE WIEHLE ROLLER ASSEMBLY (GR 800)	19.1	98-7264
	NARROW WIEHLY ROLLER ASSEMBLY (GR 800)	19.1	99-6240
	WIDE WIEHLE ROLLER ASSEMBLY - CAST (GR 1000)	22.15	71-1550
	WIEHLE ROLLER ASSEMBLY - ALUMINUM (GR 1000)	22.15	88-6790
	WIEHLE ROLLER ASSEMBLY - 0.20" SPACING (GR 1000/2000)	22.15	99-6241
	WIEHLE ROLLER ASSEMBLY (GR 1600/2600)	27.31	93-9039
	FULL ROLLER ASSEMBLY (GR 1000)	22.15	52-3170
	FULL ROLLER ASSEMBLY (GR 1600)	27.31	95-0930
	FULL ROLLER ASSEMBLY (GR 800)	19.1	104-2640
Greensmaster 1018	FULL ROLLER ASSEMBLY 21" (GR 1000)	22.15	104-2642
	FULL ROLLER ASSEMBLY	18	138-1618
	WIEHLE ROLLER INTERLACED NARROW ASSEMBLY	18	138-1547
	REAR ROLLER ASM, 18 INCH	18	140-9258
	ROLLER ASM, WIDE WIEHLE	18	140-3441
	ROLLER ASM, EXTENDED WIEHLE	18	140-9214
Greensmaster 1021	REAR ROLLER ASM	18	140-9258
	FULL ROLLER	21	138-1619
	WIEHLE ROLLER WIDE ASSEMBLY	21	138-1621
Greensmaster 1026	REAR ROLLER ASM	21	140-9259
	FULL ROLLER ASSEMBLY	26	138-1620
Greensmaster Flex 18/21	WIEHLE ROLLER WIDE ASSEMBLY	26	138-1622
	FULL REAR ROLLER ASSEMBLY (FLEX 21)	22.15	115-7356
	WIEHLE ROLLER ASSEMBLY - WIDE SPACING (FLEX 21)	22.15	115-7386
	WIEHLE ROLLER ASSEMBLY - NARROW SPACING (FLEX 21)	22.15	115-7360
	WIEHLE ROLLER TUBE - NARROW SPACING	22.15	104-0540
	2.5" FULL ROLLER ASSEMBLY (FLEX 18)	19.15	120-9611
	TUBE - 2" FULL ROLLER (FLEX 18)	19.15	110-2220
	WIEHLE ROLLER ASSEMBLY - WIDE SPACING (FLEX 18)	19.15	120-9609
	TUBE - WIEHLE NARROW SPACING (FLEX 18)	19.15	110-2221
	TUBE - WIEHLE WIDE SPACING (FLEX 18)	19.15	110-2227
	AUXILIARY ROLLER ASSEMBLY	N/A	108-4339
	ROLLER - AUXILIARY	N/A	108-4334
WIDE WIEHLE ROLLER KIT	19.15	120-9609	
FULL ROLLER ASSEMBLY (FLEX 21)	22.15	115-7356	

Greensmaster[®] - Riders

Equipment	Description	Length (inches)	Part No.
Greensmaster 3/300/3000 Style Cutting Units[®]	REAR ROLLER ASSEMBLY	N/A	52-3120
	REAR ROLLER ASSEMBLY	21.62	21-8450
	WIEHLE ROLLER ASSEMBLY (1989 & OLDER)	22.15	52-3200
	WIEHLE ROLLER ASSEMBLY - CAST (1990 & UP)	22.15	71-1550
	WIEHLE ROLLER ASSEMBLY - ALUMINUM (1990 & UP)	22.15	88-6790
	FULL ROLLER ASSEMBLY	22.15	52-3170
	STEEL ROLLER	22.15	107-3509
	ROLLER - PLASTIC	N/A	99-1638

QUICK REFERENCE GUIDE

ROLLERS

Greensmaster® - Riders - continued

Equipment	Description	Length (inches)	Part No.
Greensmaster 3200/3250 Cutting Units	REAR ROLLER ASSEMBLY (4 BOLT ADJUSTMENT CUTTING UNIT)	20.75	95-2910
	ANTI-SCALP ROLLER GR 3250	N/A	99-4210
	FULL ROLLER ASSEMBLY	22.15	140-5560
	WIEHLE ROLLER TUBE	22.15	104-0540
	WIEHLE ROLLER ASSEMBLY (0.20" SPACING)	22.15	115-7360
	WIEHLE ROLLER ASSEMBLY (0.93" SPACING)	22.15	115-7386
	STEEL ROLLER (3250)	22.15	107-3509
Greensmaster Dethatcher/Tri-Roller/Spiker Assemblies	ROLLER ASSEMBLY	19.38	95-5943
	ANTI-SCALP ROLLER	N/A	99-4210
	REAR ROLLER ASSEMBLY (SPIKER/TRI-ROLLER)	20.75	99-1615
Greensmaster 3300/3320/3400/3420	REAR FULL ROLLER ASSEMBLY	22.15	140-5560
	STEEL ROLLER	22.15	107-3509

Reelmaster®

Equipment	Description	Length (inches)	Part No.
Reelmaster 216/216D/2000D/2300D/2600D/3100D	27" ROLLER ASSEMBLY	N/A	61-0410
	32" SOLID ROLLER ASSEMBLY	N/A	94-4982
	27" WIEHLE ROLLER TUBE	27.78	104-1386-0P
	32" WIEHLE ROLLER TUBE	32.40	104-1389-0P
	27" WIEHLE ROLLER ASSEMBLY (1993-2002)	27.64	92-1846
	27" WIEHLE ROLLER ASSEMBLY (2003 AND UP)	27.75	104-1385
	27" VERTICUTTER ROLLER RM3100 (2006 AND UP)	N/A	108-4293
	27" FULL FRONT ROLLER ASSEMBLY (2010 & UP)	27.00	137-6124
	27" REAR ROLLER ASSEMBLY (2010 & UP)	27.00	117-3756
	27" PLASTIC SHOULDER ROLLER (2010 & UP)	27.00	119-0631
	32" WIEHLE ROLLER ASSEMBLY (1993-2002)	32.40	94-4993
	32" WIEHLE ROLLER ASSEMBLY (2003 AND UP)	32.40	104-1388
	32" FULL FRONT ROLLER ASSEMBLY (2010 & UP)	N/A	114-9384
	32" WIEHLE ROLLER ASSEMBLY (2010 & UP)	32.40	117-0990
	32" PLASTIC SHOULDER ROLLER ASM (2010 & UP)	32.62	119-0640
	27" LONG REAR ROLLER ASSEMBLY	27.00	137-6123
27" FLL FRONT ROLLER ASSEMBLY	27.00	137-6124	
27" SHORT REAL ROLLER ASSEMBLY	27.00	137-6118	
Reelmaster 335D/3500D/450D/4500D	REAR ROLLER ASSEMBLY	30.1	59-5630
	WIEHLE ROLLER ASSEMBLY (34.25" ROLLER)	2.75	62-6130
	WIEHLE ROLLER ASSEMBLY (33.25" ROLLER)	33.25	84-6080
	FRONT ROLLER ASSEMBLY (33.25" ROLLER)	30.1	59-5630
Reelmaster 223D/5100D/5200D/5300D/ 5500D	WIEHLE ROLLER ASSEMBLY	23.22	75-1520
	PREMIUM REAR ROLLER ASSEMBLY	19.24	94-0694
	ROLLER ASSEMBLY	21.872	100-2536
Reelmaster Dethatching Reel Parts 223D/5100D/5200D/5300D/5500D	REAR ROLLER ASSEMBLY	23	137-6107
	WIEHLE ROLLER ASSEMBLY	23.22	75-1520
Reelmaster 5010-H/5210/5410/5510/5610	2.5" SHORT REAR ROLLER ASSEMBLY (RM 5210/5410 2006-07)	20.50	137-6105
	2.5" LONG REAR ROLLER ASSEMBLY (RM 5210/5410 2006-07)	23.00	137-6107
	3 INCH DIA ROLLER ASM	23.00	137-6113
	2.5" SHORT REAR ROLLER ASSEMBLY (RM 5210/5410 2008 & UP)	20.50	137-6105
	3" SHORT REAR ROLLER ASSEMBLY (RM 5210/5410 2008 & UP)	20.50	137-6117
	2.5" LONG REAR ROLLER ASSEMBLY (RM 5210/5410 2008 & UP)	23.00	137-6107
	2.5" SHORT REAR ROLLER TUBE (RM 5210/5410 2008 & UP)	17.88	115-8293-0P
	3" LONG REAR ROLLER TUBE (RM 5210/5410 2008 & UP)	20.38	137-6112
	3" FULL FRONT ROLLER ASSEMBLY (RM 5210/5410/5510/5610 2008 & UP)	24.50	137-6111
	2.5" FULL FRONT ROLLER ASSEMBLY	24.50	137-6109
	3" FRONT FULL ROLLER TUBE (RM 5210/5410/5510/5610 2006-07)	24.50	137-6111
	2.5" FULL FRONT ROLLER TUBE (RM 5210/5410/5510/5610 2008 & UP)	21.88	115-8295-0P
	PLASTIC SHOULDERED FRONT ROLLER ASSEMBLY (2008 & UP)	24.50	114-5421
	FRONT PLASTIC SHOULDER ROLLER TUBE (2008 & UP)	24.50	114-5422
	PLASTIC WIEHLE FRONT ROLLER ASSEMBLY	24.50	114-5400
	PLASTIC WIEHLE FRONT ROLLER ASSEMBLY (2008 & UP)	24.50	114-5401
	3" SHORT REAR ROLLER ASM (FM 5010) 2020	22.00	137-6117
	KICKSTAND ROLLER (VERTICUTTER)	N/A	108-4293

QUICK REFERENCE GUIDE

ROLLERS

Reelmaster[®] - continued

Equipment	Description	Length (inches)	Part No.
Reelmaster 5500D/6500D/6700D	3" FULL REAR LONG ROLLER ASSEMBLY	23	137-6113
	3" FULL ROLLER ASSEMBLY	23	99-5749
	REAR ROLLER ASSEMBLY 2.5" X 20.5"	20.5	98-7966
	ROLLER TUBE ASSEMBLY	N/A	94-4335
	WIEHLE ROLLER ASSEMBLY*	23.82	99-8686
	WIEHLE ROLLER TUBE ASSEMBLY	23	100-9905-0P
	WIEHLE ROLLER ASSEMBLY	23	100-9906
Reelmaster 6500D/6700D DPA Cutting Unit and Verticutter Rollers	SHOULDER WIEHLE ROLLER ASSEMBLY	23	99-8675
	3 INCH DIA ROLLER ASM	23.00	137-6113
	2.5" LONG REAR ROLLER ASSEMBLY	23.00	137-6107
	3" SHORT REAR ROLLER ASSEMBLY (2008 & UP)	20.50	137-6117
	3" LONG REAR ROLLER TUBE (2008)	20.38	137-6112
	3" LONG REAR ROLLER TUBE (2009 & UP)	20.38	137-6112
	PLASTIC WIEHLE FRONT ROLLER ASSEMBLY	24.50	114-5400
	FRONT PLASTIC WIEHLE ROLLER TUBE (2008 & UP)	24.50	114-5401
	PLASTIC SHOULDERED FRONT ROLLER ASSEMBLY (2008 & UP)	24.50	114-5421
	FRONT PLASTIC SHOULDERED ROLLER TUBE (2008 & UP)	24.50	114-5422
	3" FULL FRONT ROLLER ASSEMBLY	24.50	137-6111
3" FULL FRONT ROLLER TUBE (2007)	24.50	137-6111	
2.5" FULL FRONT ROLLER TUBE (VERTICUTTER)	24.5	137-6109	
Reelmaster 7000D	PLASTIC SHOULDER ROLLER ASSEMBLY	28.00	119-0630
	PLASTIC WIEHLE ROLLER ASSEMBLY	28.00	117-0960
	FULL FRONT ROLLER ASSEMBLY	28.00	137-6121
	3" REAR ROLLER ASSEMBLY (DPA)	28.00	112-8915
	SHORT REAR ROLLER ASSEMBLY	20.50	137-6118
	PLASTIC SHOULDERED ROLLER	32.60	119-0641
	3" ROLLER TUBE ASSEMBLY	20.38	137-6112
	PLASTIC WIEHLE ROLLER (27")	28.00	117-0959
	PLASTIC WIEHLE ROLLER (32")	32.60	117-0989
	27" FULL FRONT ROLLER ASM (2011 & UP)	27.00	137-6124
	27" REAR ROLLER ASSEMBLY (2011 & UP)	27.00	117-3756
	27" PLASTIC SHOULDER ROLLER (2011 & UP)	27.00	119-0631
	32" FULL FRONT ROLLER ASSEMBLY (2010 & UP)	N/A	114-9384
	32" WIEHLE ROLLER ASSEMBLY (2010 & UP)	32.40	117-0990
	32" PLASTIC SHOULDER ROLLER ASM (2010-2017)	32.62	119-0640
	FULL FRONT ROLLER ASM (3IN)		137-6121
	27" LONG REAR ROLLER ASSEMBLY	27.00	137-6120
Reelmaster 3550/3555/3575	PLASTIC WIEHLE ROLLER ASSEMBLY (18")	20.50	112-1704
	FULL FRONT ROLLER ASSEMBLY (18")	20.50	137-6116
	PLASTIC SHOULDER ROLLER ASSEMBLY (18")	20.50	112-1733
	PLASTIC WIEHLE ROLLER ASSEMBLY (22")	24.50	114-5400
	FULL FRONT ROLLER ASSEMBLY (22")	24.50	137-6111
	PLASTIC SHOULDER ROLLER ASSEMBLY (22")	24.50	114-5421
	SHORT REAR ROLLER ASSEMBLY (18")	17.00	112-1708
	LONG REAR ROLLER ASSEMBLY (18")	19.00	112-1728
	LONG REAR ROLLER ASSEMBLY (22" - 2.6" DIA)	23.00	137-6107
	SHORT REAR ROLLER ASSEMBLY (22" - 2.5" DIA)	20.50	137-6105
	LONG REAR ROLLER ASM (2.5 DIA)		137-6107
	FULL FRONT ROLLER ASM (3IN)		137-6111

Other

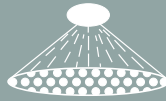
Equipment	Description	Part No.
ProCore	REAR ROLLER KIT (PROCORE 648)	110-4444
	REAR ROLLER KIT (PROCORE SR75)	121-6903-03
	ROLLER ASSEMBLY (PROCORE 864)	110-4252-03
SandPro	ROLLER ASSEMBLY (SANDPRO 3040/5040)	136-2908
	ROLLER DRIVE ASSEMBLY (SANDPRO 3040/5040)	104-1093
ProStripe	REAR ROLLER (PROSTRIPE 560)	560031W

1 CHOOSE YOUR NOZZLE

SYSTEMIC NOZZLES

OPEN BOOM

	EXCELLENT	VERY GOOD	GOOD
Herbicides			
Soil Incorporated	•		
Pre-Emergence	•		
Post-Emergence		•	
Fungicides		•	
Insecticides		•	
Liquid Fertilizer	•		
Drift	•		



Systemic nozzles provide excellent spray distribution through a wide angle, flat spray pattern. These nozzles are excellent at reducing spray drift.

AIC TeeJet® (Air Induction Flat Fan)

The AIC TeeJet® (Air Induction Flat Fan) nozzle is a good general purpose nozzle that can be used for both contact and systemic applications. The spray pattern is 110 degrees with tapered edges similar to a standard flat fan. This nozzle produces coarse air-filled droplets with a venturi air aspirator. The air-filled drops reduce spray drift but provide good contact coverage. Air Induction nozzles can be operated at higher spray pressures without creating excessive spray drift. Distribution AIC nozzles are best when used at pressures above 30 psi.

TurfJet Wide Angle Flat Spray

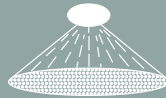
The TurfJet is a wide 130 degree angle nozzle with a tapered fan pattern. The TurfJet is best suited for systemic applications where distribution quality is the primary goal. The TurfJet creates extra coarse droplets and provides good drift control. Distribution quality is excellent at all pressures.



CONTACT NOZZLES

ANY BOOM

	EXCELLENT	VERY GOOD	GOOD
Herbicides			
Soil Incorporated			
Pre-Emergence			
Post-Emergence	•		•
Fungicides	•		•
Insecticides	•		•
Liquid Fertilizer		•	•
Drift			•



Contact nozzles provide excellent spray distribution over a wide range of pressures. These nozzles allow for better coverage at higher pressures.

Toro exclusive Air Induction Turbo Twin Jet in the 0.8, 1.0 and 1.5 sizes.



Air Induction Turbo TwinJet®

The Air Induction Turbo TwinJet® is an air induction style nozzle with two separate 110 degree spray patterns. One spray pattern is directed forward of vertical and the second pattern is directed rear of vertical. This nozzle creates medium and coarse droplets and is an excellent nozzle for contact applications where drift control is needed. The two independent spray patterns improve contact coverage by spraying the turf at two different angles.

XRC TeeJet® Flat Fan

The Standard XRC Flat Fan nozzle has a 110 degree tapered spray pattern and produces medium and fine droplets. Because of the smaller droplets the Standard XRC Flat Fan is best suited for contact applications where drift control is not needed.

	CONTACT PRODUCTS	SYSTEMIC PRODUCTS	DRIFT CONTROL
AIC	GOOD	EXCELLENT	EXCELLENT
AI Turbo TwinJet	EXCELLENT	GOOD	GOOD
TurfJet	POOR	EXCELLENT	EXCELLENT
XRC	EXCELLENT	GOOD	POOR



Tip Strainer

4 SELECT THE DESIRED MAIN SUCTION LINE FILTER

Description	80 mesh	50 mesh	30 mesh
Part Number	100-6992	100-8662	100-6991

3 ORDER THE CORRECT CAPS, GASKETS AND TIP STRAINERS

	Cap	Gasket †	Tip Strainer
AIC	Included	40998	120-0698 or 120-0699
AI Turbo TwinJet	120-8570	40998	120-0698 or 120-0699
TurfJet	95-9186	40998	120-0698 or 120-0699
XRC	Included	40998	120-0698 or 120-0699

† Gaskets are included with the nozzles/caps. Order if extra gaskets are required.

2 Nozzle Selection Guide

REMEMBER TO FILL ALL THREE NOZZLES on your turret to complete a variety of applications.

2

Multi Pro® Spray Nozzle Selection Guide

Color Code	Nozzle Options	Toro Part#	Spray Pressure in PSI	Capacity 1 Nozzle in GPM	Flow oz per min	Gallons Per Acre - 20" Nozzle Spacing										Gallons per 1000 sq ft - 20" Nozzle Spacing						
						3 mph	3.5 mph	4 mph	4.5 mph	5 mph	5.5 mph	6 mph	6.5 mph	7 mph	2.5 mph	3 mph	3.5 mph	4 mph	4.5 mph	5 mph	5.5 mph	6 mph
Red 0.4 gpm*	AIC	120-0701	20	0.28	36	27.7	23.8	20.8	18.5	16.6	15.1	13.9	12.8	11.9	0.76	0.63	0.54	0.48	0.42	0.38	0.35	0.32
	AI Turbo TwinJet**	120-0708	30	0.35	45	34.7	29.7	26.0	23.1	20.8	18.9	17.3	16.0	14.9	0.95	0.79	0.68	0.60	0.53	0.48	0.43	0.40
	TurfJet**	95-9222	40	0.40	51	39.6	33.9	29.7	26.4	23.8	21.6	19.8	18.3	17.0	1.09	0.91	0.78	0.68	0.60	0.54	0.49	0.45
	XRC	117-5834	50	0.45	58	44.6	38.2	33.4	29.7	26.7	24.3	22.3	20.6	19.1	1.22	1.02	0.87	0.77	0.68	0.61	0.56	0.51
	Tip Strainer - 50	120-0699	60	0.49	63	48.5	41.6	36.4	32.3	29.1	26.5	24.3	22.4	20.8	1.33	1.11	0.95	0.83	0.74	0.67	0.61	0.56
Brown 0.5 gpm*	AIC	120-0702	20	0.35	45	34.7	29.7	26.0	23.1	20.8	18.9	17.3	16.0	14.9	0.95	0.79	0.68	0.60	0.53	0.48	0.43	0.40
	AI Turbo TwinJet**	120-0709	30	0.43	55	42.6	36.5	31.9	28.4	25.5	23.2	21.3	19.7	18.2	1.17	0.97	0.84	0.73	0.65	0.58	0.53	0.49
	TurfJet**	95-9223	40	0.50	64	49.5	42.4	37.1	33.0	29.7	27.0	24.8	22.9	21.2	1.36	1.13	0.97	0.85	0.76	0.68	0.62	0.57
	XRC	117-5835	50	0.56	72	55.4	47.5	41.6	37.0	33.3	30.2	27.7	25.6	23.8	1.52	1.27	1.09	0.95	0.85	0.76	0.69	0.63
	Tip Strainer - 50	120-0699	60	0.61	78	60.4	51.8	45.3	40.3	36.2	32.9	30.2	27.9	25.9	1.66	1.38	1.19	1.04	0.92	0.83	0.75	0.69
Gray 0.6 gpm*	AIC	120-0703	20	0.42	54	41.6	35.6	31.2	27.7	25.0	22.7	20.8	19.2	17.8	1.14	0.95	0.82	0.71	0.63	0.57	0.52	0.48
	AI Turbo TwinJet**	120-0710	30	0.52	67	51.5	44.1	38.6	34.3	30.9	28.1	25.7	23.8	22.1	1.41	1.18	1.01	0.88	0.79	0.71	0.64	0.59
	TurfJet**	95-9224	40	0.60	77	59.4	50.9	44.6	39.6	35.6	32.4	29.7	27.4	25.5	1.63	1.36	1.17	1.02	0.91	0.82	0.74	0.68
	XRC	117-5836	50	0.67	86	66.3	56.9	49.8	44.2	39.8	36.2	33.2	30.6	28.4	1.82	1.52	1.30	1.14	1.01	0.91	0.83	0.76
	Tip Strainer - 50	120-0699	60	0.73	93	72.3	62.0	54.2	48.2	43.4	39.4	36.1	33.4	31.0	1.99	1.65	1.42	1.24	1.10	0.99	0.90	0.83
White 0.8 gpm*	AIC	120-0704	20	0.57	73	56.4	48.4	42.3	37.6	33.9	30.8	28.2	26.0	24.2	1.55	1.29	1.11	0.97	0.86	0.78	0.70	0.65
	AI Turbo TwinJet	120-0711	30	0.69	88	68.3	58.6	51.2	45.5	41.0	37.3	34.2	31.5	29.3	1.88	1.56	1.34	1.17	1.04	0.94	0.85	0.78
	TurfJet**	95-9225	40	0.80	102	79.2	67.9	59.4	52.8	47.5	43.2	39.6	36.6	33.9	2.18	1.81	1.55	1.36	1.21	1.09	0.99	0.91
	XRC	117-5837	50	0.89	114	88.1	75.5	66.1	58.7	52.9	48.1	44.1	40.7	37.8	2.42	2.02	1.73	1.51	1.34	1.21	1.10	1.01
	Tip Strainer - 50	120-0699	60	0.98	125	97.0	83.2	72.8	64.7	58.2	52.9	48.5	44.8	41.6	2.67	2.22	1.90	1.67	1.48	1.33	1.21	1.11
Blue 1.0 gpm*	AIC	120-0705	20	0.71	91	70.3	60.3	52.7	46.9	42.2	38.3	35.2	32.4	30.1	1.93	1.61	1.38	1.21	1.07	0.97	0.88	0.80
	AI Turbo TwinJet	120-0712	30	0.87	111	86.1	73.8	64.6	57.4	51.7	47.0	43.1	39.8	36.9	2.37	1.97	1.69	1.48	1.31	1.18	1.08	0.99
	TurfJet**	95-9188	40	1.00	128	99.0	84.9	74.3	66.0	59.4	54.0	49.5	45.7	42.4	2.72	2.27	1.94	1.70	1.51	1.36	1.24	1.13
	XRC	117-5838	50	1.12	143	110.9	95.0	83.2	73.9	66.5	60.5	55.4	51.2	47.5	3.05	2.54	2.18	1.97	1.69	1.52	1.38	1.27
	Tip Strainer - 50	120-0699	60	1.22	156	120.8	103.5	90.6	80.5	72.5	65.9	60.4	55.7	51.8	3.32	2.77	2.37	2.07	1.84	1.66	1.51	1.38
Green 1.5 gpm*	AIC	120-0706	20	1.06	136	104.9	90.0	78.7	70.0	63.0	57.2	52.5	48.4	45.0	2.88	2.40	2.06	1.80	1.60	1.44	1.31	1.20
	AI Turbo TwinJet	120-0713	30	1.30	166	128.7	110.3	96.5	85.8	77.2	70.2	64.4	59.4	55.2	3.54	2.95	2.53	2.21	1.96	1.77	1.61	1.47
	TurfJet**	95-9226	40	1.50	192	148.5	127.3	111.4	99.0	89.1	81.0	74.3	68.5	63.6	4.08	3.40	2.91	2.55	2.27	2.04	1.85	1.70
	XRC	117-5839	50	1.68	215	166.3	142.6	124.7	110.9	99.8	90.7	83.2	76.8	71.3	4.57	3.81	3.26	2.86	2.54	2.28	2.07	1.90
	Tip Strainer - 50	120-0699	60	1.84	236	182.2	156.1	136.6	121.4	109.3	99.4	91.1	84.1	78.1	5.00	4.17	3.57	3.13	2.78	2.50	2.27	2.09
			70	1.98	253	196.0	168.0	147.0	130.7	117.6	106.9	98.0	90.5	84.0	5.39	4.49	3.85	3.37	2.99	2.69	2.45	2.24

80 mesh 100-6992

50 mesh 100-8642
(Standard Equipment)

30 mesh 100-6991

QUICK REFERENCE GUIDE

NOZZLES



Multi Pro Spray Nozzle Selection Guide

Color Code	Nozzle Options	Toro Part#	Spray Pressure	Flow in l/min Bar	Liters Per Hectare - 50 cm Spacing								
					4 km/h	5 km/h	6 km/h	7 km/h	8 km/h	9 km/h	10 km/h	12 km/h	14 km/h
Red 0.4 gpm*	AIC	120-0701	1.0	0.91	273	218	182	156	137	121	109	91.0	78.0
	AI Turbo TwinJet**	120-0708	1.5	1.12	336	269	224	192	168	149	134	112	96.0
	TurfJet**	95-9222	2.0	1.29	387	310	258	221	194	172	155	129	111
	XRC	117-5834	3.0	1.58	474	379	316	271	237	211	190	158	135
	Tip Strainer - 50	120-0699	4.0	1.82	546	437	364	312	273	243	218	182	156
			5.0	2.04	612	490	408	350	306	272	245	204	175
Brown 0.5 gpm*	AIC	120-0702	1.0	1.14	342	274	228	195	171	152	137	114	97.7
	AI Turbo TwinJet**	120-0709	1.5	1.39	417	334	278	238	209	185	167	139	119
	TurfJet**	95-9223	2.0	1.61	483	386	322	276	242	215	193	161	138
	XRC	117-5835	3.0	1.97	591	473	394	338	296	263	236	197	169
	Tip Strainer - 50	120-0699	4.0	2.27	681	545	454	389	341	303	272	227	195
			5.0	2.54	762	610	508	435	381	339	305	254	218
Gray 0.6 gpm*	AIC	120-0703	1.0	1.37	411	329	274	235	206	183	164	137	117
	AI Turbo TwinJet**	120-0710	1.5	1.68	504	403	336	288	252	224	202	168	144
	TurfJet**	95-9224	2.0	1.94	582	466	388	333	291	259	233	194	166
	XRC	117-5836	3.0	2.37	711	569	474	406	356	316	284	237	203
	Tip Strainer - 50	120-0699	4.0	2.74	822	658	548	470	411	365	329	274	235
			5.0	3.06	918	734	612	525	459	408	367	306	262
White 0.8 gpm*	AIC	120-0704	1.0	1.82	546	437	364	312	273	243	218	182	156
	AI Turbo TwinJet	120-0711	1.5	2.23	669	535	446	382	335	297	268	223	191
	TurfJet**	95-9225	2.0	2.58	774	619	516	442	387	344	310	258	221
	XRC	117-5837	3.0	3.16	948	758	632	542	474	421	379	316	271
	Tip Strainer - 50	120-0699	4.0	3.65	1095	876	730	626	548	487	438	365	313
			5.0	4.08	1224	979	816	699	612	544	490	408	350
Blue 1.0 gpm*	AIC	120-0705	1.0	2.28	684	547	456	391	342	304	274	228	195
	AI Turbo TwinJet	120-0712	1.5	2.79	837	670	558	478	419	372	335	279	239
	TurfJet**	95-9188	2.0	3.23	969	775	646	554	485	431	388	323	277
	XRC	117-5838	3.0	3.95	1185	948	790	677	593	527	474	395	339
	Tip Strainer - 50	120-0699	4.0	4.56	1368	1094	912	782	684	608	547	456	391
			5.0	5.10	1530	1224	1020	874	765	680	612	510	437
Green 1.5 gpm*	AIC	120-0706	1.0	3.42	1026	821	684	586	513	456	410	342	293
	AI Turbo TwinJet	120-0713	1.5	4.19	1257	1006	838	718	629	559	503	419	359
	TurfJet**	95-9226	2.0	4.83	1449	1159	966	828	725	644	580	483	414
	XRC	117-5839	3.0	5.92	1776	1421	1184	1015	888	789	710	592	507
	Tip Strainer - 50	120-0699	4.0	6.84	2052	1642	1368	1173	1026	912	821	684	586
			5.0	7.64	2292	1834	1528	1310	1146	1019	917	764	655

80 mesh 100-6992

50 mesh 100-8642
(Standard Equipment)

30 mesh 100-6991

* Recommended Valve Cal setting in Pro Control/XP: 46 for nozzles 0.2 gpm and 0.4 gpm. Use 23 for 0.5 gpm and higher.

** TurfJet and TwinJet Air nozzles are not compatible with the Toro Drift Reduction Boom Shroud. Application rates shown for nozzle selection purposes only. Verify actual rate before spraying. Speeds shown are for reference only. Always limit speed to maintain safe operation based on operating conditions.

TeeJet and TwinJet are registered trademarks of Spraying Systems Co.

PARTS LIST





PARTS LIST

Part Number	Description
01-100-0260	BEARING-FLANGE
01-264-0230	BELT 3/3V800 **NO COG**
01-279-0010	FINGER-RUBBER
01-283-0030	BLADE-SLICING, 4IN
01-283-0040	BLADE SLICING 6"
01-283-0090	THATCHER-BLADE
01-317-0240	FILTER ELEMENT
08725	400 HOUR MVP KIT SAND PRO
100-1270	SWITCH-PROXIMITY
100-1535	SWITCH-ROCKER, (ON)-OFF-(
100-1832	ASSY ELEMENT
100-1854	PLUG-GLOW
100-2261-01	BRACKET-HOC, FRONT
100-2262-01	REAR HOC BRACKET ASM
100-2263	SUPPORT-ROD
100-2267-01	SIDEPLATE
100-2268-01	LH SIDEPLATE ASM
100-2276	SPACER-FRAME
100-2287	DEFLECTOR-SHIELD, GRASS
100-2289	REAR GRASS SHIELD ASM
100-2348	RIM ASM
100-2536	ROLLER ASM
100-2538	SHAFT-ROLLER
100-2582	RIM
100-2588	V-BELT, B-SECTION
100-3017	PIN-ARM, LIFT
100-3031	RH LIFT ARM ASM
100-3032	LH LIFT ARM ASM
100-3052	PISTON MOTOR ASM
100-3069	RH BRAKE ASM
100-3070	LH BRAKE ASM
100-3102	WASHER-FLAT
100-3172-03	SCREEN ASM
100-3190-03	ENGINE MOUNT ASM
100-3192	ELEMENT-FILTER, FUEL
100-3350	BEDKNIFE-HIGHCUT (FAIRWAY
100-3380	RH PIVOT HUB ASM
100-3381	LH PIVOT HUB ASM
100-3620	TINE-NEEDLE, 5MM X 6.43
100-3621	TINE-NEEDLE, 8MM X 7.38
100-3694	SCREW-HSH
100-3695	3 TINE HEAD ASM
100-3696	4 TINE HEAD ASM
100-3795	JOINT-BALL
100-3814	SLEEVE-PROTECTIVE
100-3833	HOSE-HYD
100-3876	HYD HOSE ASM
100-3877	HYD HOSE ASM
100-3878	HYD HOSE ASM
100-3879	HYD HOSE ASM
100-4161	REAR ROLLER REELMASTER GA
100-4181	FRONT GRASS SHIELD ASM
100-4194	CARRIER FRAME ASM
100-4240	FITTING-STR
100-4809	HOSE-RADIATOR, LOWER
100-4810	MUFFLER
100-4815	CABLE-CONTROL, TRACTION
100-4817	SPACER
100-4824	AIR CLEANER ASM
100-4825	BAND-MOUNTING, AIR CLEANE

Part Number	Description
100-4838-0P	MOUNT-ENGINE
100-4852	WASHER-HARDENED
100-4866	GROMMET
100-4869	COOLER-OIL
100-4872	PLATE-SWITCH, NEUTRAL
100-4876	HOSE-HYD
100-4880	HOSE-HYD
100-4890	FITTING-CHECK
100-4891	HOSE-HYD
100-4892	HOSE-HYD
100-4903-0P	FRAME-RADIATOR
100-4918	DIODE
100-4926	BEARING-ALIGNING, SELF
100-4928	BELT-SEAT
100-4929	SLOPE INDICATOR ASM
100-4930-03	CARRIER ASM
100-4939-03	CARRIER-SIDEWINDER
100-4944	SHAFT-PIVOT, CUTTING UNIT
100-4959	COLLAR
100-4992	BRACKET-SPRING
100-4994-01	FRAME-REEL
100-5024	PIN-CLEVIS
100-5384	BEARING-BALL
100-5386	BEARING-ROLLER
100-5392	BELT-5VX
100-5396	BEARING-ROLLER
100-5414	GUARD-TURF, 3 TINE 5 FING
100-5415	GUARD-TURF, 3 TINE 3 FING
100-5416	GUARD-TURF, 4 TINE 5 FING
100-5417	GUARD-TURF, 4 TINE 7 FING
100-5418	GUARD-TURF, 6 TINE 5 FING
100-5419	GUARD-TURF, 6 TINE 7 FING
100-5420	GUARD-TURF, 8 TINE 9 FING
100-5421	GUARD-TURF, 8 TINE 5 FING
100-5525	HOSE ASM
100-5569	PIN-CLEVIS
100-5569	PIN-CLEVIS
100-5579	HOSE ASM
100-5582	SHAFT-PIVOT, LIFT ARM
100-5605-01	RH SKID ASM
100-5612-01	LH SKID ASM
100-5620-01	RH SKID ASM
100-5663-03	COVER-FRONT, LH
100-5663-03	COVER-FRONT, LH
100-5667-03	PLATE-COVER, LH SIDE
100-5667-03	PLATE-COVER, LH SIDE
100-5668-03	PLATE-COVER, RH SIDE
100-5668-03	PLATE-COVER, RH SIDE
100-5703	SPACER AND BEARING ASM
100-5709	NUT-SPINDLE, SPCL
100-5762	SPACER-BEARING
100-5780-03	FRAME-DECK
100-5797-03	BRACKET-HOC, RH
100-5799	SHIM-HOC, .060 INCH
100-5832	TUBE
10-06-031	3/8 BSP DOWTY SEAL
100-6116	SCREW-HHF
100-6131	SEAL KIT
100-6178	IDLER ARM ASM
100-6193	CARRIER FRAME ASM

Part Number	Description	Part Number	Description
100-6400	SHIELD ASM-FRONT	104-0028	GUIDE-HOSE
100-6431	TUBE-RETURN	104-0046	PIN-SLIDE, CYLINDER
100-6434	ROD-HOLD DOWN, BATTERY	104-0057	HYD HOSE ASM
100-6435	POST-BATTERY	104-0058	HYD HOSE ASM
100-6443-01	FRAME ASM	104-0063	HYD HOSE ASM
100-6448	SPACER-ROLLER	104-0064	HYD HOSE ASM
100-6449	ROLLER-LIFT	104-0067	HYD HOSE ASM
100-6756	ELEMENT-FILTER, PRESSURE	104-0068	HYD HOSE ASM
100-6991	ELEMENT-FILTER, GREEN	104-0069	HYD HOSE ASM
100-6992	ELEMENT-FILTER, RED	104-0080	FILTER HEAD ASM
100-7100	SUPPORT-ROD	104-0108	U-BOLT
100-7105	RH HOC ADJUSTMENT ASM	104-0151	SPACER
100-7106	LH HOC ADJUSTMENT ASM	104-0400	TUBE ASM
100-7113-01	WEIGHT-END	104-0401	TUBE ASM
100-7123	SPACER-BEDBAR	104-0402	TUBE-HYD
100-7124-01	BEDBAR-MACHINED	104-0403	TUBE ASM
100-7126	BOLT-WHEEL	104-0404	TUBE ASM
100-7132	WIEHLE ROLLER ASM	104-0405	HOSE-HYD
100-7136	REAR GRASS SHIELD ASM	104-0406	HOSE-HYD
100-7140	REEL FRAME ASM	104-0407	HOSE-HYD
100-7599	BEARING-BALL	104-0416-0P	BRACKET-SLIDE
100-7617	4 TINE HEAD ASM, HD	104-0416-0P	BRACKET-SLIDE
100-7618	3 TINE HEAD ASM, HD	104-0417	SLIDE-PLASTIC
100-7621	BEARING-BALL	104-0422	NEUTRAL ARM ASM
100-7631	PULLEY-IDLER	104-0454	HOSE-RADIATOR, UPPER
100-7631	PULLEY-IDLER	104-0462	HUB-WHEEL, SPACER
100-7644	BELT-HA (SET 2=1 PC)	104-0485-0P	SHIELD-WHEEL
100-7695	FITTING-ELBOW 90	104-0487	HOSE-HYD
100-8011	CARRIER FRAME ASM	104-0532	WASHER-PULLEY
100-8070	LAMP-WARNING	104-0538	BEARING-SELF ALIGNING
100-8071	LAMP-WARNING	104-0540	ROLLER-WIEHLE
100-8072	SWITCH	104-0705-03	YOKE-JOINT
100-8125-01	LH SKID ASM	104-0719	WASHER-HARDENED
100-8138	SPRING-COMPRESSION	104-0720	SPACER
100-8148-03	MOUNT-RH	104-0721	WASHER-THRUST
100-8149-03	MOUNT-LH	104-0762-01	FORK-CASTOR
100-8327	BEARING-BALL	104-0764	PISTON MOTOR ASM
100-8329	BEARING-BALL	104-0972	CLAMP-TINE
100-8372	BELT-STEERING	104-0984	TINE-HOLLOW, 5/8 X 5.75
100-8642	SCREEN-SUCTION	104-1051-03	PLATE-SPINDLE
100-9237	STARTER ASM	104-1052-03	BRACKET-HOC, FRONT
100-9333	GASKET-MUFFLER	104-1080	HOSE-HYD
100-9394	ALTERNATOR ASM	104-1093	ROLLER
100-9818-01	PLATE-MOUNT, SPRING	104-1156	SPACER
100-9819	LATCH ASM	104-1301	BLADE-ATOMIC
100-9821	PLATE-SWITCH, REED	104-1303	BLADE-ATOMIC
100-9900	FRONT GRASS SHIELD ASM	104-1304	BLADE ASSY-ATOMIC 24.75
100-9905-0P	WIEHLE ROLLER MACH ASM	104-1380	BEDKNIFE-HIGHCUT (FAIRWAY)
100-9906	WIEHLE ROLLER ASM	104-1381	BEDKNIFE-HIGHCUT (FAIRWAY)
100-9911	SHOULDER ROLLER ASM	104-1385	WIEHLE ROLLER ASM
100-9943-0P	TUBE ASM-ROLLER 3" DIA	104-1386-0P	ROLLER-WIEHLE 27" (MACH)
100-9981	GEAR-SPIRAL, RH	104-1388	WIEHLE ROLLER ASM
100-9993	FRONT COVER ASM	104-1389-0P	ROLLER-WIEHLE 32" (MACH)
103-1802	FITTING-ELBOW, 90 DEG	104-1392	SHAFT-PIVOT
103-2897	LATCH-CATCH	104-1476	RING-RUBBER
103-2898	LATCH-RUBBER	104-1476	RING-RUBBER
103-5895	O-RING	104-1806	SHAFT-ROLLER
103-6771	TIRE (24X12-12) 4-PLY LUG	104-1810	BEDKNIFE-HIGHCUT (FAIRWAY)
103-9511	NUT-LOCK, NI	104-1830	BOLT-J
104-0015	BUSHING-FLANGE	104-1834	IDLER BEARING ASM

PARTS LIST

Part Number	Description
104-1835	SCREW
104-1844	COMB
104-2024	NUT-HEX, NI
104-2057	SENSOR
104-2065	SCREW-HWH
104-2067	SPACER-END, MOTOR
104-2071	BASKET ASM
104-2078	SHAFT-ROLLER
104-2091	ROLLER-ANTI SCALP
104-2200-01	CHAMBER-CENTER
104-2201-01	CHAMBER-RH
104-2202-01	CHAMBER-LH
104-2203-01	OUTER CHAMBER ASM
104-2204-01	CHAMBER-INNER
104-2205-01	CHAMBER-INNER
104-2235	HOSE ASM
104-2250-01	SKID-SIDE
104-2260	HOSE ASM
104-2261	HOSE ASM
104-2263	HOSE ASM
104-2264	HOSE ASM
104-2265	HOSE-HYD
104-2281	SHAFT-PIVOT
104-2541	IGNITION SWITCH ASM
104-2547	SPACER INNER
104-2602-03	BAR-OFF, CUT
104-2607	STRIP-BASKET
104-2609	SLEEVE-PULLEY
104-2610	NUT-HF
104-2611	NUT-HF
104-2612	NUT-HF
104-2628	SCREW
104-2632	GRASS SHIELD ASM
104-2640	FULL FRONT ROLLER ASM (18
104-2642	FULL FRONT ROLLER ASM (21
104-2646	BEDKNIFE-HIGHCUT
104-3355	ROD-SPRING
104-3357	CARRIER FRAME ASM
104-3365	ROD-SUPPORT
104-3366	SPACER
104-3373-01	RH HOC BRACKET ASM
104-3375-01	LH HOC BRACKET ASM
104-3388	SEAL-GREASE
104-3394	SPRING-COMPRESSION
104-3396	SCREW-HH
104-3398	HOUSING-BEARING, MACH
104-3399	BEARING HOUSING ASM
104-3494	BELT-V
104-3502	HOSE ASM
104-3537	PIN-CYLINDER
104-3537	PIN-CYLINDER
104-3541	HUB-SPIDER
104-3542	SPIDER
104-3545	PULLEY-DRIVING
104-3546	PULLEY-DRIVEN, LOW
104-3547	PULLEY-DRIVEN, DOUBLE
104-3548	PULLEY-DRIVEN, HIGH
104-3554	SHAFT-SPINDLE
104-3563	INDICATOR
104-3661	BRACKET-SPRING

Part Number	Description
104-3797	FITTING-STRAIGHT
104-3928	LH BRAKE LEVER ASM
104-4046	BEARING-CUP
104-4212	RING-RETAINING, SPIRAL
104-4229	REAR CARRIER FRAME ASM
104-4246	FAN-ENGINE
104-4299	CROSS AND BEARING KIT
104-4569-03	BLADE-24.75"
104-4620	SEAT
104-4623-01	TUBE & END CAP ASM
104-4624-03	BRACKET-HOC, LH
104-4641	SHIM-HOC, .030 INCH
104-4727	RING-RETAINING
104-4754	SPRING-DETENT
104-4809	DRUM-BRAKE
104-4817	LEVER-BRAKE
104-4819-03	BRACKET-PIVOT, LH
104-4820-03	BRACKET-STOP, CARRIER
104-4821	SPRING-TORSION
104-4825-03	BRACKET-PIVOT, RH
104-4827-03	ACTUATOR-LH
104-4827-03	ACTUATOR-LH
104-4828-03	BRACKET-ACTUATOR
104-4834	MUFFLER
104-4836	FITTING-TEE
104-4840	TANK-HYD
104-4852-03	PEDAL-TRACTION
104-4853-03	SCREEN-HOOD
104-4855-03	FRAME-RADIATOR
104-4890	PISTON PUMP ASM
104-5169	FILTER-OIL
104-5183	BLADE-LIFT, HIGH
104-5190-03	PANEL-CONTROL
104-5207	HOSE-TURBO
104-5214	SPACER-TUBULAR
104-5215	PUMP-FUEL, ELECTRIC
104-5428	BRACKET-OIL COOLER, TOP
104-5429	CLAMP-FORM, WIRE
104-5460-03	PLATE-MOUNT, OIL COOLER
104-5464	HOSE-HYD
104-5483	HOSE-HYD
104-5498	HOSE-HYD
104-5498	HOSE-HYD
104-5499	HOSE-HYD
104-5499	HOSE-HYD
104-5500	HOSE-HYD
104-5501	HOSE-HYD
104-5502	HOSE-HYD
104-5504	HOSE-HYD
104-5505	HOSE-HYD
104-5511	HOSE -HYD
104-5512	HOSE-HYD
104-6126	WASHER-FLAT
104-6478	SPRING-EXTENSION
104-6500	DRUM-BRAKE
104-6500	DRUM-BRAKE
104-7064	TIRE (22X9.50-10) 4-PLY T
104-7179	PIVOT-PEDAL
104-7201	NUT-HF
104-7520	SPRING-DAMPER

Part Number	Description
104-7521	BUSHING
104-7524	SHIM
104-7524	SHIM
104-7529-01	BRACKET-CASTOR
104-7546	TANK STRAINER ASM
104-7547	CABLE-THROTTLE
104-7705	BRAKE ASM
104-7706	E-RING, BOWED
104-7707	SHAFT-CAM, BRAKE
104-7708	BRAKE CAM & E-RING ASM
104-7719	BALL JOINT ASM
104-7738	BUSHING-FLANGE
104-7851	FITTING-HYD, 45 DEG
104-8162	BATTERY, 300CCA W/O ELECT
104-8215	COLLAR KIT
104-8216	SCREW-SQH
104-8219	GRASS BASKET ASM
104-8300	NUT-HF, NI
104-8301	NUT-HF, NI
104-8322	WASHER-HARDENED
104-8330-03	BRACKET-CAM
104-8330-03	BRACKET-CAM
104-8331	END-ROD, SPHERICAL
104-8341	BUSHING-STRAIGHT
104-8772	TORO PREMIUM GEAR AND BEA
104-9219	DISC-CLUTCH
10-4930-01	BAR-BED
104-9312	PIN-GROOVED
104-9314	RM5500 REEL DRIVE HOSE KI
104-9317	RM52/5400 REEL DRIVE HOSE
104-9321	HYD HOSE ASM
104-9322	HYD HOSE ASM
104-9323	HOSE-HYD
104-9447	ADAPTER-MOTOR
104-9480	SHAFT-ROLLER
104-9483	DEFLECTOR ASM
104-9492-03	SCRAPER ASM
104-9838	GRIP-FOAM
104-9875	TINE-SIDE EJECT, HD 3/4 X
104-9876	TINE-SIDE EJECT, HD 5/8 X
104-9877	TINE-SIDE EJECT, 7/8 X 5.
104-9914	NUT-HEX
105-0000	SPACER-FAN
105-0023	SWITCH-PROXIMITY
10-5010	SCREW-ADJUSTMENT, ROLLER
105-0131	STRAINER-TANK, OIL
105-0139	RM6000 REEL DRIVE HOSE KI
105-0140	RM6700 REEL DRIVE HOSE KI
105-0150	SEAL-GREASE
105-0156	SHAFT-ROLLER
105-0158	SHAFT-ROLLER
105-0171-03	WEIGHT-END
105-0172	SPACER
105-0173	WASHER
105-0177	SPACER
105-0191	FULL ROLLER ASM
105-0194	SHAFT-ROLLER
105-0195-01	SHIELD-GRASS, REAR ASM
105-0418-01	ARM-STEERING
105-0452	PIVOT HINGE ASM

Part Number	Description
105-0463-01	PLATE-FOOTREST
105-0464-03	PLATE-SEAT
105-0494	HYDROSTAT ASM
105-0499-03	PANEL-CONTROL
10-5060	BRACKET-HOC
105-0750	FAN
105-0775	STEERING CYLINDER ASM
10-5080-01	CAP-END
105-0836	CABLE-BATTERY, BLACK
105-0887	BELT-DRIVE, PTO
105-0965	BEARING-BALL
105-0989	BELT-3V
105-0991	BELT-BANDED, 4 GROOVE
105-1032-03	CLAMP-HOLDER, 4 TINE
105-1036-0P	3 TINE HOLDER ASM
105-1038-03	CLAMP-HOLDER, 3 TINE
105-1045-0P	4 TINE HOLDER ASM
105-1098-03	CLAMP-TINE, NEEDLE
105-1180	TINE-HOLLOW, 1/2 X 6.50
105-1184	TINEHOLDER
105-1212	HOSE-HYD
105-1213	HOSE-HYD
105-1214	HOSE-HYD
105-1215	HOSE-HYD
105-1216	HOSE-HYD
105-1218	PISTON MOTOR ASM
105-1219	HYD MOTOR ASM
105-1221	HOSE ASM
105-1222	HOSE ASM
105-1230	PLATE-SCRAPER
105-1686	SPINDLE SHAFT ASM
105-1904	GRIP-HANDLE
105-2409	SCREW-HSH
105-2439	BASKET-GRASS
105-2806	END-ROD
105-2807-03	PLATE
105-2807-03	PLATE
105-2808	END-ROD
105-2809	TUBE-LINK
105-3048	WASHER-FLAT
105-3249	DAMPER
105-3693	BELT-FAN
105-3800	CONTROL VALVE ASM
105-3822	HYD CYLINDER ASM
105-3823	HYD CYLINDER ASM
105-3824	SEAL-GREASE
105-3825	HOUSING-BEARING, RH
105-3826	HOUSING-BEARING, LH
105-3827	BEARING-BALL, SELF ALIGNI
105-3828	SPACER
105-3833	BOLT-ECCENTRIC
105-3834	BOLT-SHOULDER
105-3835	SEAL KIT
105-3836	SEAL KIT
105-3838	SPACER
105-3912	LATCH-DRAW
105-3985	HOSE-HYD
105-4005-01	PLATE-SIDE, RH ASM
105-4006-01	PLATE-SIDE, LH ASM
105-4007-01	FRAME ASM-DETHATCHER

PARTS LIST

Part Number	Description
105-4011-03	WEIGHT-END
105-4021	ROD-SUPPORT
105-4169	COUPLER-FEMALE
105-4169	COUPLER-FEMALE
105-4170	COUPLER-MALE
105-4170	COUPLER-MALE
105-4232	SWITCH
105-4302	NEUTRAL ARM ASM
105-4320	SWITCH-ROCKER, ON-OFF-(ON)
105-4327	TUBE-HYD, CASEDRAIN
105-4332	HOSE-HYD
105-4333	HOSE-HYD
105-4337	HOSE-HYD
105-4338	HYD HOSE ASM
105-4339	HOSE-HYD
105-4340	HYD HOSE ASM
105-4342	HOSE ASM
105-4347	HOSE-HYD
105-4548	SHAFT-SPRING
105-4549	SPACER-ROLLER
105-4550	BUSHING-STRAIGHT
105-4550	BUSHING-STRAIGHT
105-4551	WASHER-FLAT
105-4552	BEARING-PLASTIC
105-4579	GAUGE-OIL
105-5342	BOLT-PLOW - SPECIAL
105-5379	NUT-SPRING
105-5392	RIVET-DRIVE
105-5394	ROD-TRAILER, LARGE
105-5402	HOSE-HYD
105-5405	HOSE-HYD
105-5409	HOSE ASM
105-5421-01	PEDAL-TRACTION
105-5430	ROD-CONNECTING
105-5444	CABLE-LOCK, NEUTRAL
105-5445	CABLE-TRACTION
105-5460	TUBE-HYD
105-5482	TUBE-HYD
105-5493	TUBE-HYD
105-5700	WASHER-WAVE
105-5706	NUT-LOCK, BEARING
105-5709	WEIGHT ASM
105-5719	COVER
105-5720	BELT-V, POLY
105-5722	PULLEY-DRIVER
105-5723	SPACER-TUBE
105-5729	HOUSING-BEARING, RH
105-5730	HOUSING-BEARING, LH
105-5736	SHAFT-BRUSH
105-5740	HOOK-LIFT
105-5761	GROMMET
105-5769	WASHER
105-5770	NUT-SHOULDER
105-5774	BOLT-SHOULDER
105-5775	RING-RETAINING
105-5795	PLATE-SIDE, LH
105-5797	PLATE-SIDE, RH
105-5799	FRAME
105-6755	HOUSING-BEARING, LH
105-6758	SETScrew-SQH

Part Number	Description
105-6759	HOUSING-BEARING, RH
105-6761	SEAL-GUARD
105-6785	BEDKNIFE-LOWCUT (FAIRWAY)
105-6792	BRUSH-ROLLER
105-7269	KIT-TALL GRASS, BAHIA 62/
105-7270	STD BLADE/BELT KIT
105-7271	BLADE/BELT KIT
105-7272	STD BLADE/BELT KIT
105-7441	BEARING-SPHERICAL
105-7443	SPACER-PILOT
105-7468	STUD-TAPERED
105-7482	PIN-LATCH
105-7507	HUB-PIVOT, JOYSTICK
105-7576	GEAR PUMP ASM
105-7577	HYD LIFT BLOCK MANIFOLD A
105-7900	HYD HOSE ASM
105-7901	HYD HOSE ASM
105-7902	HYD HOSE ASM
105-7903	HYD HOSE ASM
105-7927	HOSE-HYD
105-7941	NUT-HEX, SLOTTED
105-8075	INSERT-THREADED, RH
105-8076	INSERT-THREADED, LH
105-8095-01	BEDBAR-FAIRWAY
105-8118	BEARING-CONE
105-8120	BEARING-CONE
105-8250	CONSOLE
105-8252-03	BRACKET-POD
105-8265	ADJUSTER-SEAT
105-8265	ADJUSTER-SEAT
105-8285	HOSE-INLET, PUMP
105-8288	ROD-JOYSTICK
105-8289	SPRING-TORSION
105-8318	WASHER-FLAT
105-8536-01	ARM-STEERING
105-9156	SEAL KIT
105-9159	SEAL KIT
105-9202	NO. 2 LIFT ARM ASM
105-9203	NO. 3 LIFT ARM ASM
105-9238	HOSE-HYD
105-9602	BRUSH
105-9612	SPRING-BRUSH
105-9613-01	BRACKET-BRUSH, LH
105-9614-01	BRACKET-BRUSH, RH
105-9615-01	BRACKET-BRUSH, LH
105-9616-01	BRACKET-BRUSH, RH
105-9632	BOLT-J
105-9635	BRUSH-GROOMER
105-9767	REEL FRAME ASM-SPA
105-9768	REEL FRAME ASM-4BOLT
105-9770	HYD MOTOR ASM
105-9781	SPRING-TORSION
105-9781	SPRING-TORSION
105-9810-03	BLADE-ANGLE SAIL
105-9816	ROLLER-PLASTIC
105-9817	HOSE-HYD
105-9822	SPACER
105-9823	BUSHING-CARRIER
105-9827	SHAFT
105-9912	SPACER-LATCH

Part Number	Description
105-9926	SPRING-EXTENSION
105-9928-01	SPINDLE ASM
105-9930-01	HITCH
105-9935	PLUG-TUBE, SQUARE
105-9943	WASHER-THRUST
105-9945	SEAL-GREASE, BLUE
106-0003	V-BELT
106-0006	OUTER SPINDLE ASM
106-0022	PULLEY-OUTBOARD
106-0023	PULLEY-CENTER
106-0631	PACK-SERVICE, BLADE (104-
10-6090	PIN-PIVOT
106-1025	PLUG-HYD
106-1026	PLUG-HYD
106-1080-03	REAR REEL ASM
106-1082	BEARING-FLANGE, 2 BOLT
106-1085-03	REEL SPINDLE ASM
106-1113	TIE ROD END ASM - RH THRE
106-1128	HOSE-FUEL
106-2008	WASHER-THRUST
106-2271	SHAFT-PIVOT
106-2416	AIR CLEANER ASM
106-2600-01	SHIELD-GRASS
106-2603	SCREW-HSH
106-2607	O-RING
106-2619	STRIP-SEAL
106-2630	IDLER BEARING ASM
106-2633	SCREW-HHF
106-2646	RING-RETAINING, BOWED
106-2648-01	BEDBAR
106-3621	STEERING VALVE ASM
106-3622	STEERING TILT COLUMN ASM
106-3662	HOSE-HYD
106-3669	HYD HOSE ASM
106-3670	HYD HOSE ASM
106-3671	HOSE-HYD
106-3672	HYD HOSE ASM
106-3680	HOSE-HYD
106-3691	HOSE-HYD
106-3692	HOSE-HYD
106-3693	HOSE-HYD
106-3712-03	PEDAL-BRAKE
106-3713	DETENT
106-3719	HUB-PEDAL, TRACTION
106-3731	ROD-PIVOT
106-3840	PEDAL-TRACTION
106-3924	BRACKET-ROLLER, REAR
106-3925	SHIM-ROLLER (0.25)
106-3937	CARRIER FRAME ASM
106-4154	FLOORPLATE ASM
106-4167	JOYSTICK BRACKET ASM
106-4192	SPACER
106-4214	SETSCREW-SQH
106-4237	BEARING
106-4269	PULLEY-DRIVE, DOUBLE
106-4317	SUPPORT-SPRING
106-4353-03	BLADE-ATOMIC, 25 INCH, LH
106-4383	BELT-V, BANDED
106-4616	SCREW-SPACER
106-4620	PIVOT MOUNT ASM

Part Number	Description
106-4668	NUT-LOCK
106-4669	DECAL-WARNING, TRAILER
106-4675	TONGUE ASM
106-4689	GRASS BASKET ASM
106-4904	ELEMENT-AIR CLEANER
106-5187	BATTERY, 525 CCA W/O ELEC
106-5190	BATTERY, 660 CCA W/O ELEC
106-5269	IGNITION SWITCH ASM
106-5270	IGNITION KEY SET
106-5277	AIR CLEANER ASM
106-5336	NUT-JAM
106-5344	BUSHING-FLANGE, KEYED
106-5354	SPRING-LATCH
106-5363	SHAFT-ADJUSTER
106-5366-01	FRAME ASM
106-5384	STRIP-PAD
106-5388	ROD-LOCK
106-5408	GASKET-COVER
106-5409	GASKET-CASE, GEAR
106-5422	BLADE-11 TOOTH (NARROW CA
106-6355	BLADE-11 TOOTH (CARBIDE)
106-6362	SEAL KIT
106-6392	KIT-DETHATCHER BLADE
106-6394	MOW PEDAL ASM
106-6395	CUTTING CONTROL SHAFT ASM
106-6396	LIFT-PIVOT V
106-6691	CABLE-BRAKE, PARK
106-6698	CABLE-HI-LOW
106-6716	SEAL KIT
106-6726	STEERING PUMP ASM
106-6754	DECAL-DANGER
106-6774	JOINT-BALL
106-6895-03	BALL JOINT ASM
106-6914	RING-SNAP, INTERNAL
106-6915	PULLEY ASM
106-6917	PULLEY-DRIVEN
106-6926	SEAL-GREASE
106-6927	SLEEVE
106-6929	V-RING
106-6937	DPA REEL SEAL KIT
106-6941	SEAL
106-6942	V-RING
106-7159	O-RING
106-7166-03	BLADE-COMBINATION (19 INC
106-7536	BEDBAR ADJUSTER ASM
106-7865	MOUNT-ENGINE
106-7962	HOSE-HYD
106-7974	HOSE-HYD
10-6821	BRAKE DRUM ASM
10-6830	STUD-TYPE, DRIVE
106-8417	SPACER-SHAFT, DRUM
106-8428	PLATE-SIDE, RH
106-8429	PLATE-SIDE, LH
106-8437	STRAP-LATCH
106-8448	BEARING-RACE, EXTENDED
106-8450	TAB-BRUSH
106-8454	ROD ASM
106-8459	BUNGEE
106-8463	SHIM-GROOMER
106-8468	RH IDLER ASM

PARTS LIST

Part Number	Description
106-8470	LH IDLER ASM
106-8471	HUB-PIVOT
106-8482	ADJUSTER
106-8489	BUSHING-SLEEVE
10-6850	DRUM-BRAKE
106-8511	ARM-GROOMER HOC, RH
106-8513	ARM-GROOMER HOC, LH
106-8521	DECAL-WARNING
106-8527	BUSHING
106-8528	SCREW-LOCK
106-8529	PLUG-CAP
106-8530	SEAL-GREASE
106-8535	RH LIFT ARM ASM
106-8536	LH LIFT ARM ASM
106-8540	PULLEY ASM
106-8541	RH DRIVE COVER ASM
106-8542	LH DRIVE COVER ASM
106-8625	BLADE-CARBIDE
10-6870-03	HUB-WHEEL
106-8871	BEARING-BALL
106-8872	RING-RETAINING
106-9004	BUMPER
106-9091	PIN-SCRAPER
106-9091	PIN-SCRAPER
106-9093	SPRING-RH
106-9093	SPRING-RH
106-9094	SPRING-LH
106-9094	SPRING-LH
106-9095-01	SCRAPER ASM
106-9288	SENSOR-PROXIMITY, FERROUS
106-9518	SCREW-PRH
106-9605	BEDBAR PIVOT KIT
106-9606	ROLLER KIT
106-9607	FULL ROLLER KIT
106-9618	BUSHING-RUBBER
106-9623	BOLT-BEDBAR
106-9627	ROLLER BRUSH ASM
106-9674	HOSE-HYD
106-9691	TIRE-4-PLY
106-9758	SCREW-CARR
106-9888	WASHER-FLAT
107-0204	HOSE ASM
107-0214-03	BLADE-ATOMIC, 21.75 IN
107-0215-03	BLADE-ATOMIC, 19.00 IN
107-0216-03	BLADE-ATOMIC, 19.00
107-0217-03	BLADE-ATOMIC, 20.00 IN
107-0222	HOSE ASM
107-0235-03	BLADE-ATOMIC
107-0245	SEAL KIT
107-0249	SEAL KIT
107-0333	RIVET-POP
107-0333	RIVET-POP
107-0392	PROTECTION-TERMINAL, AERO
10-7070	KEY-SQUARE
107-1054	BEARING
107-1078	BEARING
107-1135	HOSE ASM
10-7130	WIRE ASM
107-1588	ROLLER REBUILD KIT
107-1589	ROLLER REBUILD KIT

Part Number	Description
107-1590	4 BOLT CU REBUILD KIT
107-1591	ROLLER REBUILD KIT
107-1592	ROLLER REBUILD KIT
107-1593	ROLLER REBUILD KIT
107-1595	ROLLER REBUILD KIT
107-1598	4 BOLT CU REBUILD KIT
107-1977	SEAL KIT
107-1997	FITTING-GREASE
107-2043-03	BRACKET-OIL COOLER, TOP
107-2062	PIN
107-2077	PIN-CYLINDER
107-2084	TRACTION CABLE ASM
107-2152	HOSE-SUCTION
10-7240	SLEEVE-PULLEY, STEERING
107-2550	CABLE-CONTROL, TRACTION
107-2552-01	BRACKET-BULKHEAD
107-2553	ROD END ASM
107-2554	DECAL-PANEL, CONTROL
107-2561	NUT-HEX
107-2563	SEAL KIT
107-2565	4 SECTION GEAR PUMP ASM
107-2567	5 SECTION GEAR PUMP ASM
107-2577	GEAR PUMP KIT - 5 SECTION
107-2580	TUBE-HYD
107-2582	TUBE-HYD
107-2598	LH LIFT ARM ASM
107-2599	RH LIFT ARM ASM
107-2951	FRAME
107-2954	NUT-ADJUSTER, BEARING
107-2970	ROD
107-2979	BOLT-SHOULDER
107-2993-03	WIEHLE SCRAPER ASM (22IN)
107-2996	FRONT GRASS SHIELD ASM
107-2999	SCRAPER ROD ASM
107-3205	SEAL-OIL
107-3206	SHAFT-DRUM, RH
107-3207	SHAFT-DRUM, LH
107-3216	SHAFT-WHEEL, TRANSPORT (R
107-3224	SHAFT-WHEEL, TRANSPORT (L
107-3226-01	ARM-PITCH, RH
107-3226-01	ARM-PITCH, RH
107-3227	NUT-BEARING, LOCK
107-3228	SPACER-SEAL
107-3233	SEAL-OIL
107-3237	SPACER
107-3238	V-RING
107-3244	O-RING
107-3258	FRAME
107-3273-01	BEDBAR
107-3275	INSERT-THREADED, RH
107-3276	INSERT-THREADED, LH
107-3279	BRACKET-SCRAPER, LH
107-3280	REAR ROLLER SCRAPER KIT (
107-3281	BRACKET-SCRAPER, RH
107-3296	SHAFT-ROLLER, REAR
107-3299-03	ROLLER TUBE ASM
107-3376	SPRING-COMPRESSION
107-3399	ADAPTER-WEIGHT, WHEEL
107-3505	SPACER-TOOL, ROLLER
107-3510	NARROW STEEL WIEHLE ROLLE

Part Number	Description
107-3526	STEERING BOX ASM
107-3532	GROMMET
107-3533	SHAFT-STEERING
107-3540-03	TUBE
107-3543-01	FORK ASM
107-4001	SHIM-ROLLER (0.01 INCH)
107-4026	SCREW-HH
107-4027	CAP
107-4028	SEAL-GREASE
107-4304	HYD CYLINDER ASM
107-4348-03	MOUNT-DECK, RH
107-4349-03	MOUNT-DECK, LH
107-4392	FUEL FILTER ASM
107-4430	SPACER-PLASTIC
107-4501-01	PLATFORM ASM
107-4513	TANK-OIL
107-4517-03	HOUSING-MOTOR
107-4543	CLAMP
107-4544	HYD MOTOR ASM
107-4545	COVER-TANK
107-4546-03	AXLE ASM
107-4547	GEAR PUMP ASM
107-4738	BELT-HH
107-4788	BELT-HEX
10-7640	REAR UNIT RETURN HOSE
10-7670	LH FRT RETURN HOSE
107-7284	TUBE-HOC
107-7284	TUBE-HOC
107-7400	PIN-LYNCH
107-7409	PIN-PIVOT, BEDBAR
107-7433	CARRIER FRAME ASM
107-7447	SCREW-SET, SQH
107-7513	V-BELT
107-7589	CONE-BEARING (W/ SEAL)
107-7590	CUP-BEARING
107-7602-01	ARM-PITCH, LH
107-7602-01	ARM-PITCH, LH
107-7773	SCREW-HSH
107-7795	SEAL-GREASE
107-7796	SHAFT-DRIVE
107-7816	BRACKET-SKID
107-7817	FILTER-OIL, ENGINE
107-7819	SEAL KIT
107-7828	REAR CASTING ASM
107-8105	BEARING-BALL, EXTENDED RA
107-8107	WASHER-WAVE
107-8133	WASHER-FLAT
107-8181	BEDKNIFE-FAIRWAY
107-8183-01	LH RAMP ASM
107-8184-01	RH RAMP ASM
107-8186-01	PLATE-TONGUE
107-8188	KIT-HITCH, ADJUSTABLE
107-8190-01	CLEVIS-TRAILER
10-7820	PIVOT HINGE ASM
107-8844	O-RING
107-9089	WATER PUMP ASM
107-9089	WATER PUMP ASM
107-9091	PIPE-WATER
107938	SPRING-EXTENSION
107-9519	HYD HOSE ASM

Part Number	Description
107-9531	FILTER-OIL, HYD
107-9907	VALVE OVERHAUL KIT
108-0015	WASHER-FLAT
108-0573-01	CASTOR FORK ASM
108-0617	BELT-DRIVE
108-0638	BOTTLE-OVERFLOW
108-0800	MVP KIT-BLADE PACK COMBO
108-0989	SCREW-SET
10-8100-01	STRAP-SHAFT, BRAKE
10-8110	WASHER-THRUST
108-1176	SWITCH ASM
108-1177	PREMIUM ALL SEASON HYD. F
108-1178	PREMIUM ALL SEASON HYD. F
108-1183	PREM. TRANS / HYD TRACTOR
108-1184	PREM. TRANS / HYD TRACTOR
108-1185	PREMIUM ATF (55 GAL)
108-1187	PREMIUM ALL SEASON GEAR L
108-1190	PREMIUM ALL PURPOSE GREA
108-1196	PREMIUM ENGINE OIL SAE 30
108-1197	PREMIUM ENGINE OIL SAE 30
108-1260	BATTERY, 550 CCA W/O ELEC
108-1370	GEARBOX REPLACEMENT KIT
10-8140	SPRING-LATCH, BRAKE
108-1450	BLADE SERVICE PACK, 21.75
108-1451	ATOMIC BLADE SERVICE PACK
108-1452	BLADE SERVICE PACK, 19 IN
108-1453	BLADE SERVICE PACK, 20 IN
108-1454	BLADE SERVICE PACK, 25 IN
108-1462	BLADE SERVICE PACK, 27 IN
108-1463	BLADE SERVICE PACK, 27 IN
108-1464	BLADE SERVICE PACK, 27 IN
108-1471	RH REAR ARM ASM
108-1473	LH REAR ARM ASM
108-1475-03	BELL CRANK-RH
108-1476-03	BELL CRANK-LH
108-1477	BLADE SERVICE PACK, 18 IN
108-1478	BLADE SERVICE PACK, 24.75
108-1483	WASHER
108-1590	PREMIUM ALL SEASON GEAR L
108-1591	PREM HVY DUTY ALL SEASON
108-1600	RIM
108-1602	WHEEL AND TIRE ASM
108-1606-03	BRACKET-HINGE
108-1607-03	PLATE-HINGE
108-1625	HYD MOW BLOCK MANIFOLD AS
108-1640	GAUGE-FUEL
108-1641	DRIVESHAFT ASM
108-1642	FITTING-SUCTION
108-1643	FITTING-RETURN
108-1665-03	BRACKET - RESERVIOR
108-1665-0P	BRACKET-RESERVIOR
108-1666-03	BRACKET-RESERVOIR
108-1671-01	BRACKET-STEP
108-1672	MANIFOLD-TUBE
108-1679	HOSE-HYD
108-1683	HOSE-FORMED
108-1685	HOSE-FORMED
108-1686	HOSE-HYD
108-1689	HOSE-HYD
108-1691	TUBE ASM

PARTS LIST

Part Number	Description
108-1693	HOSE
108-1695	AIR RIDE SUSPENSION ASM
108-1696	HOSE-FORMED
108-1697	HOSE-FORMED
108-1698	TUBE ASM
108-1699	TUBE ASM
108-1700	TUBE ASM
108-1701	TUBE ASM
108-1702	TUBE ASM
108-1703	TUBE ASM
108-1704	TUBE ASM
108-1708	TUBE ASM
108-1710	TUBE ASM
108-1711	TUBE-HYD
108-1712	TUBE ASM
108-1713	TUBE ASM
108-1714	TUBE ASM
108-1720	TUBE ASM
108-1721	TUBE ASM
108-1745	HOSE-FORMED
108-1757	COVER-SEATBASE
108-1782	HEADER
108-1783	HEADER ASM
108-1785-03	BRACKET-SUPPORT, MUFFLER
108-1791	SHROUD-FAN
108-1799-03	HOOP-GUARD
108-1801-01	BRACKET-SUPPORT, PUMP
108-1802	CABLE-BATTERY, POSITIVE
108-1806-01	PLATE-FLOOR
108-1814-03	BRACKET-BULKHEAD
108-1825	HYD MANIFOLD ASM
108-1842	FUEL TANK ASM
108-1844	TREAD-PANEL, SERVICE
108-1921	SPRING-TORSION
108-1924	SPACER-IDLER
108-1954	BEARING SPACER SET
108-1956	SHAFT-SPINDLE
108-2124-03	CLAMP-TINE
108-2132	CORING HEAD BEARING KIT
10-8220	TOOL BOX PAD
108-2282	PIN-CLEVIS
108-2603	ELEMENT-FILTER, AIR
108-2604	AIR FILTER ELEMENT ASM
108-2800	PIN-CLEVIS
108-2829	ADAPTOR-CARBURETOR
108-2835-01	SCARIFIER MOUNT ASM
108-2872	COLLAR-FAN
108-2873	BOLT-FLANGE
108-2924	VALVE-STEERING
108-2928-01	BOX ASM
108-2936	CONSOLE
108-2938	TANK-FUEL
108-2947	HYD MOTOR ASM (CCW)
108-2948	HYD MOTOR ASM (CW)
108-2949	HYD MOTOR ASM (CW)
108-3150	SLEEVE ASM
108-3151	NUT-LOCK, BEARING (SERVIC
108-3156	BRACKET-ROD
108-3162	SPACER
108-3168	SPACER-HITCH

Part Number	Description
108-3198-03	HANGER ASM
108-3263	REPAIR KIT - SEAL
108-3284	HOSE-FUEL
108-3808	FILTER-AIR
108-3809	FILTER-AIR
108-3810	FILTER-AIR
108-3811	FILTER-AIR
108-3812	FILTER-AIR
108-3813	ELEMENT-SAFETY, AIR CLEAN
108-3814	FILTER-AIR
108-3815	FILTER-AIR
108-3816	FILTER-AIR
108-3817	FILTER-OIL
108-3818	FILTER-FUEL
108-3828	FILTER-FUEL
108-3831	FILTER-FUEL
108-3833	FILTER-AIR
108-3835	OIL-FILTER
108-3837	FILTER-OIL
108-3841	FILTER-OIL
108-3842	FILTER-OIL
108-3847	FILTER-OIL
108-3854	FILTER-FUEL
108-4000	BUSHING
108-4004	GEAR MOTOR ASM
108-4022	SHAFT-CARRIER, PIVOT
108-4023	SHAFT-CARRIER, PIVOT
108-4032	NO. 1 LIFT ARM ASM
108-4033	NO. 4 LIFT ARM ASM
108-4034	NO. 5 LIFT ARM ASM
108-4172	SEAL-EXCLUDER
108-4176	PLATE-BRUSH
108-4190	ROLLER BRUSH ASM
108-4193	BRUSH-ROLLER
108-4200	BEARING HOUSING ASM
108-4201	BEARING HOUSING ASM
108-4205	PLATE-BRUSH
108-4206	HOUSING-BEARING, DRIVEN
108-4207	HOUSING-BEARING, NON DRIV
108-4213	BRACKET-HOC, GROOMER (LH)
108-4214	BRACKET-HOC, GROOMER (RH)
108-4234	SHAFT-DRIVE
108-4269-01	WEIGHT
108-4279	SPACER-FRAME
108-4284	TUBE-SUPPORT
108-4286	BRACKET-ADJUSTMENT
108-4289	PIN-MOUNT, ROLLER
108-4293	ROLLER
108-4302	BEDKNIFE-TOURNAMENT, EXTE
108-4303	BEDKNIFE-MICROCUT, EXTEND
108-4334	ROLLER-AUXILIARY
108-4339	AUXILIARY ROLLER ASM
108-4391	BELT-HEX
108-4393	BELT-HEX
108-4475-03	SCRAPER-FULL FRONT ROLLER
108-4477	SPACER
108-4478	PLATE-IDLER
108-4480	BRACKET-MOUNTING
108-4491	SPACER
108-4495	HOUSING-BEARING, DRIVEN

Part Number	Description	Part Number	Description
108-4496	HOUSING-BEARING, NON DRIV	108-6878	SEAT
108-4497	BELT-GROOMER	108-6885	PIN ASM
108-4511-01	TUBE ASM	108-6895-01	BRACKET-MOUNT, TANK
108-4527-03	BAR-TOOL	108-6898	SHROUD-DASH
108-4957	INSERT-LH	108-6945	PLUG-SPARK
108-4958	INSERT-RH	108-6980	DRUM-BRAKE, 8 INCH
108-4959	ROD-TURF	108-6983	BRAKE HARDWARE KIT
108-4960	SPRING-COMPRESSION	108-7007	TIRE (22.5X10-8)
108-4961	TAB-STOP, SHIELD	108-7384-03	CARRIER FRAME ASM
108-4975	SHAFT ASM	108-7388	SHAFT-ROLLER
108-4977	INSERT-LH	108-7395-03	BLADE-COMBO, 22IN
108-4978	INSERT-RH	108-7409-01	BAFFLE-MULCHING
108-4991	FAIRWAY BASKET ASM	108-7409-01	BAFFLE-MULCHING
108-4994	SPACER	108-7577-03	SEAT BASE
108-5194	FILTER-OIL, HYD	108-7582-03	PLATE-PIVOT
108-5402-03	TORSION TUBE ASM	108-7584-01	PLATE-GUIDE, ROD
108-5406-03	PLATE-WEAR	108-7585	GUIDE-HOSE
108-5412	SPRING-EXTENSION	108-7587	SADDLE-HOOD
108-5413	ROD-SPRING	108-7591-03	MOUNT-SEAT / CONTROL
108-5413	ROD-SPRING	108-7602	REST-ARM
108-5418-03	LOCK LEVER ASM	108-7604	COVER-LH
108-5421	PLATE ASM	108-7605	COVER-RH
108-5424	SPRING-TORSION	108-7623	TUBE ASM
108-5431	PIVOT-STEERING	108-7624	TUBE ASM
108-5432	SPACER-BEARING	108-7625	TUBE ASM
108-5472	TUBE ASM	108-7629	TUBE ASM
108-5477	SHROUD-FAN	108-7630	TUBE ASM
108-5481	HOSE-SUCTION	108-7632	TUBE ASM
108-5482	BRACKET-FILTER, OIL	108-7633	TUBE ASM
108-5483	HOSE-SUCTION, TANK	108-7639-03	PLATE
108-5484	HUB-FAN	108-7641	CAP-TANK, HYD
108-5490-0P	PLATE-PUMP	108-7643	MUFFLER
108-5498-01	PEDAL	108-7662	SCREW-LUG
108-5675	HYDRAULIC HOSE ASM	108-7903	CLAMP-TANK
108-6094	LATCH	108-7906-01	PANEL-FRONT
108-6475	KIT-BEARING HOUSING	108-7909-03	PANEL-CONTROL
108-6496	SWITCH (W/BOOT)	108-7913	CABLE-BRAKE, PARK
108-6503-03	CONSOLE ASM	108-7931-03	BASE-SEAT
108-6505	HOSE-HYD	108-7935-03	SHROUD-SEAT
108-6506	HOSE-HYD	108-7941	PLATE-GUIDE, LEVER
108-6507	HOSE-HYD	108-7942	REAR LEVER ASM
108-6508	HOSE-HYD	108-7965	CLAMP-TANK, HYD
108-6509	HOSE ASM	108-7977-0P	HUB-WHEEL
108-6510	HOSE ASM	108-7979-03	BELLCRANK
108-6511	HOSE ASM	108-7983	BUSHING-CABLE
108-6538	HOUSING-BEARING, SERVICE	108-7986-03	BAR-BRAKE
108-6539	MANIFOLD-EXHAUST	108-7987	LINK-LATCH, PARKING
108-6543	SHAFT-ROLLER	108-7991-03	LEVER-BRAKE
108-6544	SPACER	108-7994	BUSHING-PIVOT, LEVER
108-6556	CABLE-BRAKE	108-7995-03	PLATE-SUPPORT, CONSOLE
108-6573	GASKET-HEAD, CYLINDER	108-7996	DIPSTICK ASM
108-6590-0P	BRACKET-SEAT, LOWER	108-8076	V-BELT, DECK
108-6709	BELT-DRIVE	108-8077	V-BELT, DECK
108-6713	BELT-V, RIBBED	108-8401	HOSE-AIR
108-6715	GAUGE BAR ASM	108-8406	TUBE ASM
108-6809	HOLDER-TINE	108-8409	TUBE ASM
108-6849-03	CLAMP-TINE, NEEDLE	108-8411	TUBE ASM
108-6855	SHROUD-WHEEL, RH	108-8414	TUBE ASM
108-6856	SHROUD-WHEEL, LH	108-8415	TUBE ASM
108-6859-01	SHROUD-CENTER	108-8416	TUBE ASM

PARTS LIST

Part Number	Description
108-8426	HOSE ASM
108-8428	HYD HOSE ASM
108-8431	TUBE ASM
108-8432	TUBE ASM
108-8433	HYD HOSE ASM
108-8440	HOSE ASM
108-8455-01	BRACKET-CLAMP
108-8457	COOLER-OIL
108-8468	PLUG-HH
108-8470	SLEEVE-STEERING
108-8471	NUT-STEERING
108-8481	YOKE AND BUSHING ASM
108-8482	BUSHING-SLEEVE
108-8483	SPACER-PLAIN
108-8625	ROLLER SHAFT REPLACEMENT
108-8626	FLANGE-TRIANGULAR
108-8642	GRASS BASKET ASM
108-8657	HARNES-WIRE, SEAT
108-9025-01	BAFFLE-MULCHING
108-9025-01	BAFFLE-MULCHING
108-9026	BLADE-COMBO
108-9036	HYD GEAR PUMP ASM
108-9037	MANIFOLD ASM
108-9080	LH SIDE PLATE ASM
108-9081	RH SIDE PLATE ASM
108-9082	PLATE-SIDE, LH
108-9083	PLATE-SIDE, RH
108-9084	SPRING-COMPRESSION
108-9090-01	WEIGHT-END
108-9096	BEDKNIFE-STD (FAIRWAY)
108-9104	TINE-QUAD (AE3-450-2)
108-9105	TINE-QUAD (AE3-450-3)
108-9106	TINE-QUAD (AE3-450-4)
108-9108	TINE-QUAD (AE3-500-2)
108-9109	TINE-QUAD (AE3-500-3)
108-9110	TINE-QUAD (AE3-500-4)
108-9112	TINE-QUAD, CARBIDE (CE3-4)
108-9114	TINE-QUAD, CARBIDE (CE3-4)
108-9116	TINE-QUAD, CARBIDE (CE3-4)
108-9120	TINE-QUAD, CARBIDE (CE3-5)
108-9122	TINE-QUAD, CARBIDE (CE3-5)
108-9124	TINE-QUAD, CARBIDE (CE3-5)
108-9128	TINE-HOLLOW (AH6-475-3)
108-9129	TINE-HOLLOW (AH6-475-4)
108-9130	TINE-HOLLOW (AH6-475-5)
108-9132	TINE-HOLLOW (AH6-575-3)
108-9133	TINE-HOLLOW (AH6-575-4)
108-9134	TINE-HOLLOW (AH6-575-5)
108-9135	TINE-HOLLOW, CARBIDE (CH6)
108-9136	TINE-HOLLOW (AH6-650-4)
108-9137	TINE-HOLLOW (AH6-650-5)
108-9138	TINE-HOLLOW (AH6-650-3)
108-9139	TINE-HOLLOW, CARBIDE (CH6)
108-9141	TINE-HOLLOW, CARBIDE (CH6)
108-9143	TINE-HOLLOW, CARBIDE (CH6)
108-9145	TINE-HOLLOW, CARBIDE (CH6)
108-9147	TINE-HOLLOW, CARBIDE (CH6)
108-9149	TINE-HOLLOW, CARBIDE (CH6)
108-9151	TINE-HOLLOW, CARBIDE (CH6)
108-9153	TINE-HOLLOW, CARBIDE (CH6)

Part Number	Description
108-9157	TINE-HOLLOW, CARBIDE (CH7)
108-9159	TINE-SIDE EJECT (AE6-475-
108-9160	TINE-SIDE EJECT (AE6-475-
108-9161	TINE-SIDE EJECT (AE6-475-
108-9162	TINE-SIDE EJECT (AE6-650-
108-9163	TINE-SIDE EJECT (AE6-575-
108-9164	TINE-SIDE EJECT (AE6-575-
108-9165	TINE-SIDE EJECT (AE6-575-
108-9166	TINE-SIDE EJECT, CARBIDE
108-9167	TINE-SIDE EJECT (AE6-650-
108-9168	TINE-SIDE EJECT (AE6-650-
108-9170	TINE-SIDE EJECT, CARBIDE
108-9172	TINE-SIDE EJECT, CARBIDE
108-9174	TINE-SIDE EJECT, CARBIDE
108-9176	TINE-SIDE EJECT, CARBIDE
108-9178	TINE-SIDE EJECT, CARBIDE
108-9180	TINE-SIDE EJECT, CARBIDE
108-9182	TINE-SIDE EJECT, CARBIDE
108-9184	TINE-SIDE EJECT, CARBIDE
108-9186	TINE-SD EJECT, CARBIDE (C
108-9188	TINE-SD EJECT, CARBIDE (C
108-9190	TINE-HOLLOW (AH7-475-5)
108-9191	TINE-HOLLOW (AH7-475-6)
108-9192	TINE-HOLLOW, (AH7-575-5)
108-9193	TINE-HOLLOW, (AH7-575-6)
108-9194	TINE-SIDE EJECT (AE7-475-
108-9195	TINE-SIDE EJECT (AE7-475-
108-9196	TINE-SIDE EJECT (AE7-575-
108-9197	TINE-SIDE EJECT (AE7-575-
108-9198	TINE-SOLID (AS6-450-25)
108-9199	TINE-SOLID (AS6-450-3)
108-9200	TINE-SOLID (AS6-450-35)
108-9201	TINE-SOLID (AS6-450-4)
108-9202	TINE-SOLID (AS6-450-5)
108-9203	TINE-SOLID (AS6-450-6)
108-9204	TINE-SOLID (AS6-550-25)
108-9205	TINE-SOLID (AS6-550-3)
108-9206	TINE-SOLID (AS6-550-35)
108-9207	TINE-SOLID (AS6-550-4)
108-9208	TINE-SOLID (AS6-550-5)
108-9209	TINE-SOLID (AS6-550-6)
108-9210	TINE-SOLID (AS6-650-3)
108-9211	TINE-SOLID (AS6-650-35)
108-9212	TINE-SOLID (AS6-650-4)
108-9213	TINE-SOLID (AS6-650-5)
108-9214	TINE-SOLID (AS6-650-6)
108-9215	TINE-CROSS, 3/8 (AX3-450-
108-9216	TINE-CROSS, 1/2 (AX3-450-
108-9217	TINE-CROSS, 5/8 (AX3-450-
108-9218	TINE-CROSS, 3/8 (AX3-550-
108-9219	TINE-CROSS, 1/2 (AX3-550-
108-9220	TINE-CROSS, 5/8 (AX3-550-
108-9221	TINE-CROSS, 1/2 (AX6-450-
108-9222	TINE-CROSS, 5/8 (AX6-450-
108-9223	TINE-CROSS, 3/4 (AX6-450-
108-9224	TINE-CROSS, 1/2 (AX6-550-
108-9225	TINE-CROSS, 5/8 (AX6-550-
108-9226	TINE-CROSS, 3/4 (AX6-550-
108-9227	TINE-CROSS, 1/2 (AX6-650-
108-9228	TINE-CROSS, 5/8 (AX6-650-

Part Number	Description
108-9229	TINE-CROSS, 3/4 (AX6-650-
108-9230	TINE-SOLID (AS3-450-2)
108-9231	TINE-SOLID (AS3-450-25)
108-9232	TINE-SOLID (AS3-450-3)
108-9233	TINE-SOLID (AS3-450-35)
108-9234	TINE-SOLID (AS3-550-2)
108-9235	TINE-SOLID (AS3-550-25)
108-9236	TINE-SOLID (AS3-550-3)
108-9237	TINE-SOLID (AS3-550-35)
108-9238	TINE-SLICING, 5/8 (AB3-50
108-9239	TINE-SLICING, 3/4 (AB6-45
108-9240	TINE-SLICING, 3/4 (AB6-55
108-9241	TINE-SLICING, 3/4 (AB6-65
108-9242	TINE-SLICING, HD (550-75)
108-9243	TINE-SLICING, HD (650-75)
108-9244	TINE-SOLID, ROUND (550-75
108-9245	TINE-SOLID, ROUND (650-75
108-9246	TINE-SOLID, ROUND (550-75
108-9247	TINE-SOLID, ROUND (550-88
108-9248	TINE-SOLID, ROUND (650-75
108-9249	TINE-SOLID, ROUND (650-88
108-9259	TINE-CROSS (550-88)
108-9260	TINE-HD 3/4 MT (575-5)
108-9261	TINE-HD 3/4 MT (575-6)
108-9264	TINE-HD 7/8 MT (575-6)
108-9265	TINE-HD 7/8 MT (575-7)
108-9290	TINE-QUAD (AE3-550-4)
108-9293	TINE-QUAD (AE3-450-5)
108-9294	TINE-QUAD (AE3-500-5)
108-9296	TINE-SPOON, OPEN 600
108-9297	TINE-SPOON, CLOSED 600
108-9298	TINE-SPOON, OPEN 800
108-9299	TINE-SPOON, CLOSED 800
108-9455	HARNES-WIRE, FUSIBLE LIN
108-9955	TIRE
108-9957	WASHER-BELLEVILLE
109-0275	HOSE-FUEL
109-0294	HOSE-FUEL
109-0302	HOSE-FUEL
109-0304	HOSE-FUEL
109-0660	HOSE-FUEL
109966	BEARING-BALL
110-0009	JOINT ARM ASM
110-0259-0P	TINE-SCARIFIER
110-0260-0P	TINE-WEEDER
110-0485	COOLER-OIL
110-0621-03	BLADE-MEDIUM FLOW
110-0622-03	BLADE-ROTARY, HIGH FLOW
110-0624-03	BLADE-ROTARY, ATOMIC
110-0641	COLLAR-HOC
11-0070	SCRAPER COMB ASM
110-0901	HYD MOTOR ASM
110-0906-01	SUPPORT-FILTER, OIL
110-0907-01	BRACKET-BATTERY
110-0913	CONTROL-THROTTLE
110-0914	ROD-PAWL, BRAKE
110-0915	TUBE ASM
110-0916	TUBE ASM
110-0917-01	BRACKET-BULKHEAD, LH
110-0918-01	BRACKET-BULKHEAD, RH

Part Number	Description
110-0919	BRACKET-SWITCH
110-0922	HOOP-CHAIN
110-0928	HOSE-HYD
110-0929	HOSE-HYD
110-0930	HOSE-HYD
110-0931	HOSE-HYD
110-0938-01	PLATE-BRIDGE
110-0952-03	SCREEN ASM
110-0966	FAN-COOLING
110-0972	PULLEY
110-0973	HOSE-HYD
110-0984	DECAL-CONSOLE
110-0986	DECAL-PLATE, COVER
110-0988	TREAD-FLOOR, SIDE
110-0991	NO. 1 LIFT ARM ASM
110-0992	NO. 2 LIFT ARM ASM
110-0993	NO. 3 LIFT ARM ASM
110-0998	DECAL-PANEL, CONTROL
110-1322	HYD HOSE ASM
110-1323	TUBE ASM
110-1325	HOSE-RETURN
110-1330	TUBE ASM
110-1332	BRACKET-CLAMP
110-1333	BRACKET-CLAMP
110-1350-03	DRAG FRAME ASM
110-1364	CHAIN-PROOF, 12 LINK
110-1364	CHAIN-PROOF, 12 LINK
110-1368-01	PLATE-ROLLER
110-1372	FITTING-VENT, TANK
110-1395-03	TOOL BAR ASM
11-0160	ROLLER SHAFT SCREW ASM
110-1700	SPRING-EXTENSION
110-1701	BEARING
110-1706	DEFLECTOR
110-1716	BELT-GROOMER
110-1718	SCREW-HHF
110-1731-03	SCRAPER-WIEHLE, COMB
110-1734	DECAL-BELT TENSION
110-1735	COMB/SCRAPER KIT (22IN)
110-1740	BRUSH-ROLLER (22IN HIGH H
110-1741	PULLEY-DRIVER
110-1742	PULLEY-DRIVER
110-1743	PULLEY-KEYED DRIVEN
110-1745	IDLER BEARING ASM
110-1746	BELT-BRUSH
110-1747	BELT-BRUSH
110-2220	ROLLER-FULL, 2 INCH DIAME
110-2221	ROLLER-WIEHLE, NARROW
110-2227	ROLLER-WIEHLE, WIDE
110-2300	BEDKNIFE-MICROCUT, EXTEND
110-2301	BEDKNIFE-LOW CUT
110-2333	BLADE-GROOMER, HELIX
110-2338	GROOMER SHAFT ASM
110-2380	BASKET WITH FRAME ASM
110-2381	SPACER
110-2382	SHAFT-DRIVE, REEL
110-2389	SHAFT-HEX
110-2391	WASHER
110-2393	BLADE-GROOMER,CARBIDE
110-2536	BALL JOINT-LH

PARTS LIST

Part Number	Description
110-2537	BALL JOINT-RH
110-2538	BEARING-RELEASE, CLUTCH
110-2548	CABLE-CLUTCH
110-2549	CABLE-ACCELERATOR, LIQUID
110-2598	MOTOR-STARTER
110-2730	TIP-CHOPPER ASM
110-2772	BELT-B SECTION/SET OF 3
110-2908	BRUSH-SWEEPER
110-3257	HOSE-FUEL
110-3259	HOSE-FUEL
110-3314	CABLE-POSITIVE, BATTERY
110-3315	CABLE-POSITIVE, STARTER
110-3322-01	BRACKET-RELAY
110-3362	BAR-PIVOT
110-3364	TIRE(22X11-8) 2 PLY SMOOT
110-3365	PLUG-EXPANSION
110-3371	HOSE-FUEL
110-3380	NUT-STANDOFF
110-3467-01	LH RAIL ASM
110-3468-01	RH RAIL ASM
110-3469	PLUG-HEAD, BALL
110-3575	DRIVESHAFT ASM
110-3796	BELT-V
110-3800	STARTER ASM
110-3951	SPRING-TORSION, RH
110-3952	SPRING-TORSION, LH
110-3953	SPRING-TORSION, CENTER
110-3955	CENTER LIFT ARM ASM
110-3986	SCREW
110-4001	MUFFLER
110-4015	HYD MOTOR ASM (CCW)
110-4016	HYD MOTOR ASM (CW)
110-4053	SHAFT-ROLLER
110-4058	BRACKET-CHAIN
110-4060	SHAFT-ROLLER, SHORT
110-4069	BRACKET
110-4074	BEDKNIFE-HD (FAIRWAY)
110-4079	SPRING-COMPRESSION
110-4084	BEDKNIFE-LOW HOC (FAIRWAY)
110-4086	GROOMER/RRB BEARING AND S
110-4100	HOSE-FUEL
110-4104	HOSE-FUEL
110-4109	HOSE-FUEL
110-4110	HOSE-LP
110-4113	HOSE-FUEL
110-4146	FILTER-HYD
110-4252-03	ROLLER
110-4327	BELT-BANDED, 4 GROOVE
110-4444	ROLLER ASM
110-4555	BEARING-BALL, 2 ROW
110-4556	BEARING-BALL
110-4635	CROSS AND BEARING KIT
110-4641	CROSS AND BEARING KIT
110-4692-0P	HOLDER-7/8 INCH
110-4701	BLADE-ROTARY, STANDARD (2
110-4702-03	BLADE-ROTARY, HIGH FLOW (
110-4703-03	BLADE-ROTARY, ATOMIC (20.
110-4767	GM 3280 CASTOR WHEEL ASM
110-4768	GM3280 62" RDD/GUARDIAN B
110-4769	GM3280 72" RDD/GUARDIAN B

Part Number	Description
110-4770	GM3280 60" SDD BLADE & BE
110-4771	GM3280 72" SDD BLADE & BE
110-4812	AXLE VENT ASM
110-5132	TIRE
110-5133	TIRE
110-5227	HUB-PUMP
110-5236	HUB-ENGINE
110-5251-03	FRAME-RADIATOR
110-5253-01	ADAPTER-HOOD, LH
110-5254-01	ADAPTER-HOOD, RH
110-5255	BUMPER-BASE, SEAT
110-5256-01	BRACKET-LATCH, HOOD
110-5259-03	BRACKET-HOOD, GUIDE
110-5269-03	SCREEN
110-5275	SEAL-FOAM
110-5276	SEAL-FOAM
110-5286	TUBE ASM
110-5287	TUBE ASM
110-5288	TUBE ASM
110-5299-03	SPINDLE
110-5310-01	BRACKET-MOUNTING
110-5311	SHROUD-FAN
110-5313-03	BRACKET-RETAINER
110-5314	LATCH
110-5323-03	BRACKET
110-5324	SEAL-FOAM
110-5331	SPRING-COMPRESSION
110-5334-03	TIE ROD ASM
110-5335	ROD-TIE
110-5337	NUT-JAM
110-5339	SPACER
110-5343-03	BRACKET-BRAKE
110-5345	WASHER
110-5688	HOSE-FUEL
110-5946-03	BLADE-ROTARY
110-5948-03	BLADE-ROTARY, ATOMIC
110-5999-01	CASTOR FORK ASM
110-6115-03	BLADE-FLAT SAIL, 21.75 IN
110-6116-03	BLADE-FLAT SAIL, 19.00 IN
110-6129	IDLER ARM ASM
110-6130	FLAT BLADE SERVICE PACK (
110-6140	FLAT BLADE SERVICE PACK (
110-6166	FILTER-OIL
110-6186	HOSE-FUEL
110-6187	HOSE-FUEL
110-6303	HYD HOSE ASM
110-6310	FRONT WHEEL HUB ASM
110-6311	STUD
110-6312-03	WEIGHT
110-6314	SPINDLE
110-6348-03	SHIELD-EXHAUST
110-6460	SEAL KIT
110-6461	SEAL KIT
110-7350	HOC KIT
110-7351	ARM-HOC
110-7352	SCREW-HOC
110-7370	GRASS SHIELD ASM
110-7500	HANGER-FLAIL, PIVOT
110-8105	LINK ASM
110-8110	SPACER

Part Number	Description	Part Number	Description
110-8151	HOSE-FUEL, FORMED	110-9593	BELT - V
110-8181	HOSE-FUEL	110-9594	BELT-V
110-8195	WASHER-STEERING	110-9595	BELT-V
110-8297	BEARING ASM	110-9600	RM DPA HIGH HOC KIT (F06-
110-8751	HOSE-FUEL	110-9602-03	3X22IN FULL FRONT ROLLER
110-8785	HYD MOTOR ASM (CCW)	110-9609-03	SHOULDER ROLLER SCRAPER (
110-8786	HYD MOTOR ASM (CW)	110-9611	ROLLER-SHOULDER, PLASTIC
110-8787	FRONT CARRIER FRAME ASM	110-9628	LH SIDE PLATE ASM
110-8795	CABLE-THROTTLE	110-9629	RH SIDE PLATE ASM
110-8806	PUMP-FUEL	110-9630	LH SIDE PLATE ASM
110-8813	CABLE-BATTERY, NEGATIVE	110-9631	RH SIDE PLATE ASM
110-8814	FUEL FILTER ASM	110-9631	PLATE-SIDE, RH
110-8851	MECHANICAL SUSPENSION ASM	110-9642	DECAL-WARNING
110-8852	FAN-COOLING	110-9683	SHAFT-REAR ROLLER
110-8856	SPACER	110-9695	HUB-PUMP
110-8871	RH BRAKE ASM	110-9713	CARRIER FRAME ASM
110-8872	LH BRAKE ASM	111-1276	BEARING
110-8874-03	CATCH	111-1381	CUTTING DISC
110-8876-01	BRACE-COLUMN	111-1492	ROLLER BEARING
110-8878	SHIELD-WHEEL, REAR (RH)	111-1717	ROLLER SHAFT WA **H56**
110-8882	VALVE-RELIEF, CROSS OVER	111-5755	TIRE
110-8884	RH ACTUATOR KIT	111-5758	BEARING
110-8885	DUST BOOT KIT	112-0009	LEVER-PUMP KIT
110-8896	SEAL KIT	112-0153	SCREW
110-8910	LH ACTUATOR KIT	112-0156	ARM-CONTROL
110-8915	HYD TUBE ASM	112-0176	PAINT-BLACK BOTTLE
110-8917	AIR CLEANER ASM	112-0177	PAINT-RED PEN
110-8921	DECAL-SPEED, MOW	112-0178	PAINT-RED BOTTLE
110-8924	DECAL-DANGER	112-0205	HYD HOSE ASM
110-8925	HINGE ASM	112-0217-01	FRAME
110-8928	PIN ASM	112-0220	GRILLE-MUFFLER
110-8942	HOSE-FORMED	112-0237	MOTOR-WHEEL, HYD (LH)
110-8943	HOSE-FORMED	112-0238	MOTOR-WHEEL, HYD (RH)
110-8944	HOSE-FORMED	112-0273	HYD HOSE ASM
110-8946	CLAMP-FRAME, RADIATOR	112-0278	SWITCH-REED
110-8951-03	BUMPER	112-0285-01	FORK-CASTOR
110-8955	HOSE	112-0289	MANIFOLD ASM (WITH BACKLA
110-8964	HYD MOTOR ASM	112-0291	SHIELD-MUFFLER
110-8965	HYD MOTOR ASM	112-1300	SLEEVE-TINE, 1/2"
110-8966	HOSE-HYD	112-1301	SLEEVE-TINE, 5/8"
110-8971	LATCH	112-1303	TINE-SIDE EJECT
110-8972	HOOK-LATCH	112-1304	TINE-SE, CARBIDE
110-8976	PLATE-SUPPORT, ISOLATOR	112-1306	TINE-HOLLOW
110-8977-03	STAND-AIR CLEANER	112-1307	TINE-HOLLOW, CARBIDE
110-8981-03	BRACKET-MOUNTING	112-1310	TINE-CROSS, CARBIDE
110-8982	WASHER-SPRING	112-1311	TINE-CROSS, CARBIDE
110-9007-03	SUPPORT-CABLE, THROTTLE	112-1312	TINE-CROSS, CARBIDE
110-9011	HOSE-FUEL	112-1313	TINE-CROSS, CARBIDE
110-9015	ELEMENT-SPIN ON	112-1314	TINE-CROSS, CARBIDE
110-9021	HOSE-FORMED	112-1316	TINE-QUAD (AE4-450-3)
110-9029	BIO-DIESEL KIT	112-1322	TINE-QUAD, CARBIDE (CE4-4
110-9035	HYD CYLINDER ASM	112-1329	TINE-SOLID (AS4-550-25)
110-9036	CABLE-BRAKE, RH	112-1330	TINE-SOLID (AS4-550-35)
110-9037	CABLE-BRAKE, LH	112-1332	TINE-QUAD (AE5-450-3)
110-9041	STEP-ALUMINUM	112-1347	TINE-SOLID
110-9044	SEPARATOR-FILTER	112-1348	TINE-SOLID
110-9049	FILTER-SPIN ON	112-1350	STARTER ASM
110-9590	BELT-V	112-1351	STARTER ASM
110-9591	BELT-V	112-1353	STARTER ASM
110-9592	BELT-V	112-1356	STARTER ASM

PARTS LIST

Part Number	Description
112-1358	ALTERNATOR
112-1359	ALTERNATOR
112-1360	ALTERNATOR
112-1364	ALTERNATOR
112-1366	STARTER
112-1400	PIVOT ASM
112-1403	ADAPTER ASM
112-1405	ADAPTER ASM
112-1432	ADAPTER ASM
112-1480-01	PLATE-BAHIA, RIGHT
112-1482-01	PLATE-BAHIA, LEFT
112-1690	SEAL-OIL
112-1704	PLASTIC WIEHLE ROLLER ASM
112-1705	ROLLER-WIEHLE, PLASTIC
112-1707	SHAFT-ROLLER, WIEHLE
112-1708	SHORT REAR ROLLER ASM
112-1711	SHAFT-REAR ROLLER, SHORT
112-1718-01	BEDBAR
112-1728	LONG REAR ROLLER ASM (18)
112-1731	SHAFT-REAR ROLLER, LONG
112-1733	PLASTIC SHOULDER ROLLER A
112-1734	ROLLER-SHOULDER, PLASTIC
112-1738	FRONT GRASS SHIELD ASM
112-1853	BELT-V
112-2511	BELT
112-2911	BELT-STARTER
112-2912	BELT-DRIVE
112-2923	SEAT ASM
112-3131	BELT-STARTER
112-3163	TIRE
112-3168	REAR SHOCK/SPRING ASM
112-3262	BEARING
112-4254	BELT-TIMED
112-5102	TINE-SLICING
112-5103	TINE-SLICING
112-5104	TINE-CROSS
112-5105	TINE-CROSS
112-5106	TINE-CROSS
112-5107	TINE-CROSS
112-5121	TINE-FAIRWAY, SPLIT (GF7-
112-5122	TINE-FAIRWAY, SPLIT (GF6-
112-5123	TINE-FAIRWAY, SPLIT (GF7-
112-5262	SHAFT-ROLLER
112-5268	MOUNT-ROLLER
112-5290	BEARING-STEEL, STAINLESS
112-5291	KIT-GREASABLE ROLLER ASM
112-5757	MOUNT-ENGINE, RUBBER
112-6461	HOSE-ADAPTER, CARBURETOR
112-6468-03	BRACKET
112-6950	SCREW-CARR
112-6951	BRUSH COVER ASM
112-6952	BRUSH COVER ASM
112-6957	WASHER-HARDENED
112-6967	O-RING
112-6968	O-RING
112-7022	STARTER ASM
112-7023	STARTER ASM
112-7153	PIN
112-7156-03	RH LIFT ARM ASM
112-7157-03	LH LIFT ARM ASM

Part Number	Description
112-7161	SCREW-HH
112-7376	BELT-V, B
112-7377	BELT-V, B
112-7451	SCREW-TAP
112-7494	SEAL
112-7652	O-RING
112-7673	AXLE SHAFT ASM
112-7688	CONTROL-THROTTLE
112-7689	CONTROL-CHOKE
112-7836	FILTER-INLINE
112-8400	FUEL PUMP KIT
112-8409	FILTER-OIL
112-8908-01	BEDBAR
112-8910	BEDKNIFE-EDGEMAX
112-8915	REAR ROLLER ASM
112-8916-0P	TUBE-ROLLER, LONG
112-8918	SHAFT-LONG, REAR ROLLER
112-8935	FRAME-CENTER
112-8942	FRONT GRASS SHIELD ASM
112-8954-01	BEDBAR
112-8962-0P	TUBE-LONG
112-8978	FRAME-CENTER
112-9130	BIO-DIESEL KIT, GM580D
112-9140	BIO-DIESEL FILTER KIT
112-9170	SEAL KIT
112-9174-01	FORK-CASTER
112-9180	STRAP-SHAFT, BRAKE
112-9181	PLATE-BOOT
112-9182	KIT-FUEL FILTER
112-9184	SEAL KIT
112-9185	HOSE ASM
112-9188	ELEMENT-FILTER, FUEL/WATE
112-9193	HOSE-HYD
112-9197	MANIFOLD ASM W/BACKLAP
112-9275	BEDKNIFE-MICROCUT
112-9279-0P	BEDBAR-AGGRESSIVE
112-9458	GROOMER SHAFT AND PULLEY
112-9462-03	BASKET FRAME ASM
112-9469-01	AXLE ASM
112-9471	GRASS SHIELD ASM
112-9586-03	BLADE-FLAT
112-9916	HYD CYLINDER ASM
112-9918	THROTTLE CABLE KIT
112-9919	STOP-CABLE, THROTTLE
114-0381-03	ARM NO. 1 ASM
114-0382-03	ARM NO. 2 ASM
114-0383-03	ARM NO. 3 ASM
114-0384-03	ARM NO. 4 ASM
114-0385-03	ARM NO. 5 ASM
114-0430	TUBE-SEG, ROLLER
114-0434-03	BLADE-HIGH LIFT, 22IN
114-0435-03	BLADE-ATOMIC, 22IN
114-0440-03	SUPPORT-DECK
114-0550	TINE-HOLLOW
114-0551	TINE-HOLLOW
114-0553	TINE-HOLLOW, CARBIDE
114-0555	TINE-SD EJECT
114-0557	TINE-SD EJECT, CARBIDE
114-0558	TINE-SD EJECT
114-0560	TINE-SD EJECT, CARBIDE

Part Number	Description	Part Number	Description
114-0561	TINE-HOLLOW, CARBIDE	114-8859	HYD WHEEL MOTOR ASM
114-0583	SLEEVE, .500 DIA	114-8860	HYD WHEEL MOTOR ASM
114-0584	SLEEVE, .625 DIA	114-8864	DRUM-BRAKE
114-0590-01	SLEEVE TOOL ASM	114-8868	HYD HOSE ASM
114-0620	HYDRAULIC CYLINDER ASM	114-8874	NO. 4 LIFT ARM ASM
114-0626	HYD CYLINDER ASM	114-8875	SEAL KIT
114-0631	CLEVIS-LATCH, PARKING	114-8876	HUB ASM
114-0633	HOSE-HYD	114-8897	MUFFLER
114-0641-03	PIVOT ASM	114-9376	COMB/SCRAPER KIT (27IN)
114-0644-03	PLATE-BRACE	114-9377	COMB/SCRAPER KIT (32IN)
114-0644-03	PLATE-BRACE	114-9384	FULL FRONT ROLLER ASM (3I
114-0876-03	BLADE-ROTARY(20.00)NO SAI	114-9388	BEDKNIFE-STD
114-0897	BLADE KIT-ATOMIC,GM59XX	114-9389	BEDKNIFE-STD
114-2726	LEVER-BRAKE	114-9390	BEDKNIFE-HD
114-3315	SOLENOID	114-9391	BEDKNIFE-HD
114-3319	HARNES-WIRE, MAIN	114-9396	CAPSCREW-HH
114-3494	ELEMENT-FILTER, 25 MICRON	115-0120-03	PEDAL-BRAKE
114-3717	SEAL-OIL	115-0123	V-BELT
114-3825	FAN	115-0129	ROD-PAWL, BRAKE
114-3831	HOSE-RADIATOR, UPPER	11-5049	LH GEAR CASE ASM
114-3832	HOSE-RADIATOR, LOWER	11-5059	RH GEAR CASE ASM
114-3837	HOSE ASM	11-5069	MAIN TUBE ASM
114-3848	COUPLER-SPRING, FLYWHEEL	11-5079	LH ROLLER BRACKET ASM
114-3849	MUFFLER-TURBO	115-0811	ROLLER BRUSH ASM (27IN)
114-3972	CHAIN	115-0813	BRUSH-ROLLER
114-4057	ELEMENT-SAFETY	115-0828	BELT-BRUSH, 7-INCH
114-4319	PIVOT PIN, ASM	115-0833	BELT-BRUSH, 7 INCH
114-4634	KIT-ADJUSTER, SERVICE	115-0839	SPRING-IDLER
114-4643	WHEEL	11-5089	RH ROLLER BRACKET ASM
114-4650	DRIVE PLATE ASM, LH	115-0894	BELT-BRUSH, 5 INCH (5-RIB
114-4665	TIRE ASM	115-1554	LATCH-DRAW
114-4672	STEERING VALVE ASM	115-1556	PIN-BALL, DETENT
114-4680	TANK ASM	115-1572	TIRE
114-4681	SCREW-HHF	115-1714	CABLE-BRAKE, SQUEEZE
114-4683	PIN-HINGE	115-1770	21 INCH GROOMER SHAFT ASM
114-4685	PIN-HINGE	115-1794	SCREW-HHF
114-4693-03	MOUNT-STEERING	115-1880	BEDKNIFE-EDGEMAX, MICROCU
114-4861	TIRE	115-1881	BEDKNIFE-EDGEMAX, TOURNAM
114-5062	CAP-BIODIESEL	115-2007	ROD-SPRING
114-5400	PLASTIC WIEHLE ROLLER ASM	115-2165	BALL JOINT
114-5401	WIEHLE ROLLER PLASTIC (22	115-2169	HUB-PUMP
114-5403	SHAFT-ROLLER, FRONT	115-2283	CABLE-BRAKE, PARK
114-5407	SHAFT-LONG, REAR ROLLER	115-2284	CABLE-CLUTCH
114-5410	SHAFT-SHORT, REAR ROLLER	115-2285	CABLE-ACCELERATOR
114-5411	NUT-LOCK, BEARING	115-2292	TIMER-GLOW PLUG
114-5421	PLASTIC SHOULDER ROLLER A	115-2661	BRAKE DRUM ASM
114-5422	ROLLER-SHOULDER, PLASTIC	115-2951	BELT-A SECTION
114-5430	RM/GM ROLLER REBUILD KIT	115-3009	O-RING
114-5596	BUSHING-STRAIGHT	115-3009	O-RING
114-5640-03	JOINT YOKE ASM	115-3259	KIT-SERVICE, PIN
114-5641	WASHER-THRUST	115-3260	KIT-SERVICE, PIN
114-5680	BUSHING-FLANGE	115-3273	KIT-SERVICE, CYLINDER
114-7606	CHOPPER-AXLE ASM	115-3282	WASHER-SPECIAL
114-7614	BLADE-BENT	115-3290	RH SUPPORT PLATE ASM
114-7715	AXLE-BRUSH	115-3299	SEAL-FLOCKED
114-7728	SCREW-HF	115-3303-03	BAR-CUTOFF
114-7741	TIRE	115-3311	LH SUPPORT PLATE ASM
114-7742	RIM	115-3366	ROLLER
114-8119	STEERING VALVE ASM	115-3434	SPINDLE
114-8385	FAN-ELECTRIC	115-3453	CARRIER FRAME ASM

PARTS LIST

Part Number	Description
115-3461	LH LIFTARM ASM
115-3462	RH LIFTARM ASM
115-3465	LH SHORT LIFTARM ASM
115-3466	RH SHORT LIFTARM ASM
115-3473	REAR LIFTARM ASM
115-3475	REAR LIFTARM ASM
115-3488	SPRING-TORSION
115-3771	HOSE ASM
115-4260	PLATE-SIDE, LH
115-4263	PLATE-SIDE, RH
115-4295	BELT-GROOMER
115-4510	BIMINI FOLDING SHADE ASM
115-4523	COUPLING-RUBBER
115-5219	PULLEY-DRIVEN, SPLINED
115-5258	SPRING-WIRE, FLAT
115-5296	NEEDLE VALVE ASM
115-5300	PROXIMITY SWITCH ASM
115-5304	CAP-FUEL
115-5305	CAP-FUEL
115-5357-03	BRACKET-JOYSTICK
115-5468	PIVOT HUB ASM
115-5468	PIVOT HUB ASM
115-5469	BUSHING-FLANGE
115-5471	ELEMENT-SEPARATOR, FUEL/W
115-5618	PIVOT-HUB
115-5642-03	BLADE ASM
115-5647	HYD LIFT CYLINDER ASM
115-5649	HITCH REPLACEMENT KIT
115-5765	FAN
115-5765	FAN
115-6699	BRAKE ROD ASM
115-6743	BELT-DRIVE, MAIN
115-6744	BELT-DRIVE, DRUM
115-6784	NUT-BEARING
115-6869	BEARING-BALL, STAINLESS
115-6882	SHAFT-HEX, REEL
115-6923	SHIELD-BEARING, FLOCKED
115-7041	ARM-HOC
115-7042	BOLT-SHOULDER, FLANGE
115-7140	GASKET-HOUSING, MAIN
115-7143	SPRING-WAVE
115-7171	CABLE-BRAKE
115-7172	CABLE-CLUTCH, REEL
115-7263	SCREW-LOCK, BEARING
115-7354	WHEEL ASM
115-7356	REAR FULL ROLLER ASM (ALU
115-7360	NARROW WIEHLE ROLLER ASM
115-7361	AUXILIARY ROLLER EXTENSIO
115-7380	NARROW WIEHLE ROLLER SCRA
115-7386	WIDE WIEHLE ROLLER ASM (D
115-7388	SMOOTH ROLLER ASM (DIA 2.
115-7753	HOSE-COOLANT, UPPER
115-7811	CABLE-SELECTOR, GEAR
115-7812	CABLE-HI LOW
115-7818	FUEL FILTER ASM
115-7854	FILTER-FUEL, INLINE
115-8018	HOSE ASM
115-8034	HOSE ASM
115-8059	YOKE-CABLE
115-8060	CLEVIS-DOUBLE

Part Number	Description
115-8063-03	MOUNT-ENGINE, RH
115-8066-0P	MOUNT-ENGINE
115-8189	FILTER-OIL, ENGINE
115-8250	GEAR MOTOR ASM
115-8293-0P	TUBE-SHORT
115-8294-0P	TUBE-LONG
115-8295-0P	TUBE ASM-ROLLER 2.5" DIA
115-8298-03	BRACKET-COMB
115-8299	PLATE-COMB
115-8483	HYD HOSE ASM
115-8484	HYD HOSE ASM
115-8603	STARTER ASM
115-8861	STARTER
115-8877	FILTER-AIR, ENGINE (SAFET
115-8896	BLADE KIT-STD BLADE,GM59X
115-8898	BLADE-BELT KIT,GM59XX
115-8957	BELT-B-SECT. MATCH SET OF
115-9022	FINGER-PLASTIC
115-9023	CLAMP-FINGER
115-9024	PLATE-CENTER
115-9028	END PLATE ASM
115-9028	END PLATE ASM
115-9142	PIN-REAR AXLE
115-9471	BEARING-CUP
115-9472	BEARING-CONE AND SEAL
115-9473	ALTERNATOR-60AMP
115-9793	BREATHER
117-0106	CABLE-BRAKE, RH
117-0107	CABLE-BRAKE, LH
117-0118	PIVOT ASM
117-0148	PIN-CYLINDER
117-0149	KIT - ROLLER SCRAPER
117-0172	SCREW-HH
117-0203-03	BRACKET-BRAKE SPRING
117-0208	SHAFT-PIVOT, LIFTARM
117-0209-03	BLADE-ANGLE SAIL, 22IN
117-0211	HYD HOSE ASM
117-0212	HYD HOSE ASM
117-0213	HYD HOSE ASM
117-0235	SEAL KIT
117-0238	DETENT
117-0289	MVP KIT -HYD HOSE (GM4300
117-0299	HYD HOSE ASM
117-0823	TIRE-STANDARD
117-0957	SHAFT-ROLLER, WIEHLE
117-0959	ROLLER-WIEHLE, PLASTIC
117-0960	PLASTIC WIEHLE ROLLER ASM
117-0987	SHAFT-ROLLER, FRONT
117-0989	ROLLER-WIEHLE, PLASTIC
117-0990	PLASTIC WIEHLE ROLLER ASM
117-1353	BELT-TRACTION
117-1397	CABLE-CLUTCH, TRACTION
117-1408	DRUM
117-1507	GROOMING REEL ASM
117-1511	SCREW-HSH
117-1530	BEDKNIFE-EDGEMAX, MICROCU
117-1532	BEDKNIFE-EDGEMAX, TOURNAM
117-1548	BEDKNIFE-EDGEMAX TOURNAM
117-2364	HUB-FAN
117-2376	CABLE-BATTERY, POSITIVE

Part Number	Description
117-2453	SEAT KIT
117-2720	MVP KIT-HYD HOSE (RM5X10
117-2722	MVP KIT-BLADE PACK, STD (
117-2723	MVP KIT-HYD HOSE (RM4000
117-2724	MVP KIT-HYD HOSE (RM3100
117-2726	CASE-SEAL KIT
117-2727	SEAL KIT WITH CASE
117-2792	FILTER-FUEL
117-2901	TIRE
117-3290	NUT-HEX
117-3399	BELT-V
117-3756	FULL REAR ROLLER ASM
117-4302	RH WHEEL MOTOR ASM
117-4303	LH WHEEL MOTOR ASM
117-4464	BELT-V
117-4687	WASHER-CUP
117-4689	SPRING RAKE KIT
117-4764	DECAL-DANGER
117-4861	HOSE-HYD
117-4922	BELT-VEE
117-5100	SHAFT-ROLLER, REAR
117-5115	HUB AND BEARING ASM
117-5125	TIRE
117-5129	RIM
117-5135	RADIATOR
117-5141	HYD MOTOR ASM
117-5142	HOSE-HYD
117-5142	HOSE-HYD
117-5147	HOSE-HYD
117-5147	HOSE-HYD
117-5188	HOSE-HYD
117-5190	HOSE-HYD
117-5196	TIRE
117-5419	ALTERNATOR
117-5541	60 AMP ALTERNATOR ASM
117-5834	NOZZLE-SPRAYER
117-5835	NOZZLE-SPRAYER
117-5836	NOZZLE-SPRAYER
117-5837	NOZZLE-SPRAYER
117-5838	NOZZLE-SPRAYER
117-5839	NOZZLE-SPRAYER
117-5896	BELT-CVT
117-6619	BUSHING
117-6788	RH DRIVE PLATE ASM
117-6799	CARBIDE GROOMING REEL ASM
117-6824	BLADE-11 TOOTH (1.2 MM CA
117-6826	SPRING-STABILIZER, RH
117-6826	SPRING-STABILIZER, RH
117-6827	SPRING-STABILIZER, LH
117-6827	SPRING-STABILIZER, LH
117-6831	BEARING-BALL, STAINLESS
117-6839	DETHATCHER BLADE KIT (1.2
117-6840	DETHATCHER BLADE KIT, 2.0
117-6992	OVERHAUL SEAL KIT
117-7190	KIT-ADAPTER HEAD
117-7191	KIT-ADAPTER HEAD
117-7193	KIT-ADAPTER HEAD
117-7194	KIT-ADAPTER HEAD
117-7195	KIT-ADAPTER HEAD
117-7196	KIT-ADAPTER HEAD

Part Number	Description
117-7198	KIT-ADAPTER HEAD
117-7199	KIT-ADAPTER HEAD
117-8055	PUMP ADAPTER
117-8093	RADIATOR ASM
117-8177	O-RING
117-8259	WASHER-SPINDLE
117-8972	FAN CLUTCH ASM
117-8976	SEAL
117-8988	MVP KIT-HYD HOSE (RM4000
117-9032	RIM
117-9432	SPIN ON ELEMENT KIT
117-9471	KIT-SERVICE,GR3250-D STEE
117-9493	BOLT-BEDBAR
117-9507	PEDAL-ACCELERATOR
117-9870	WHEEL AND TIRE ASM
117-9875	JOINT-BALL
11-8960	FASTENER ASM
119-0011	PRESSURE TRANSDUCER ASM
119-0023	TIRE
119-0084	CONTROL-THROTTLE
119-0087	RH LIFT ARM ASM
119-0089	LH LIFT ARM ASM
119-0116-03	MOUNT-BUMPER, RH
119-0117-03	MOUNT-BUMPER, LH
119-0118	PAD-BUMPER
119-0614-01	WEIGHT-END
119-0619	BEDKNIFE-EXTENDED, LC (FA
119-0625	SHAFT ASM
119-0626	SHIM-ROLLER
119-0630	PLASTIC SHOULDER ROLLER A
119-0631	ROLLER-SHOULDER, PLASTIC
119-0640	PLASTIC SHOULDER ROLLER A
119-0641	ROLLER-SHOULDER, PLASTIC
119-0649	TRIM/HD COLLAR KIT
119-0654	ADJUSTER-SEAT, LOCKING
119-0710	BELT-VARIABLE
119-0934	BELT-CVT
119-1128	BLADE-11 TOOTH
119-1604	COLLAR-TRIM/HD
119-1645	COMB
119-1646-03	SCRAPER-WIEHLE, COMB
119-1647-03	BRACKET-COMB
119-1648-03	PLATE-COMB
119-1651	CONTROL-CHOKE
119-1652	THROTTLE
119-1653	CABLE-LOCK, NUETRAL
119-1735	CABLE-CONTROL, TRACTION
119-1868	WASHER
119-2050	HOSE-HYD
119-2051	HOSE-HYD
119-2052	HOSE-HYD
119-2053	HOSE-HYD
119-2065	HOSE-HYD
119-2066	HOSE-HYD
119-2157	PREMIUM SYNTHETIC BIO HYD
119-2479	TANK-HYDRAULIC
119-2482	DECAL-OPERATING
119-3009	TIRE
119-3010	RIM
119-3516	TIRE-TRACTION

PARTS LIST

Part Number	Description
119-3557	HYD HOSE ASM
119-3558	HYD HOSE ASM
119-3871	RADIATOR
119-4012	SCREW-HWHTF
119-4035	SCREW-HSH
119-4039	NUT-HEX, NI
119-4040	NUT-FLANGE, NI
119-4050	BEDBAR BOLT REPLACEMENT A
119-4067	SCREW-HH
119-4090	SHAFT-ROLLER
119-4092	ROLLER TUBE ASM
119-4093	REAR FULL ROLLER ASM
119-4095	GRASS SHIELD ASM
119-4097	ROLLER TUBE ASM, 18"
119-4098	FULL ROLLER ASM
119-4129	MUFFLER
119-4150	WASHER-FLAT
119-4151	SCREW-BEDKNIFE
119-4153	RUBBER BUSHING ASM
119-4155	WASHER-HARDENED
119-4156	SPRING-COMPRESSION
119-4157	RETAINER-SHAFT
119-4164	WASHER-WAVE
119-4165	SHIM-HEIGHT, ROLLER
119-4166	SPACER-HEIGHT, ROLLER
119-4250	COMB
119-4251-03	SCRAPER-WIEHLE, COMB
119-4252-03	BRACKET-COMB
119-4253-03	PLATE-COMB
119-4275	SPRING-COMPRESSION
119-4276	ROLLER-TIPPER
119-4280	BEDKNIFE-EDGEMAX EXTENDED
119-4288	REAR ROLLER ASM (SHORT)
119-4289	SHAFT-REAR ROLLER 32IN (S)
119-4486	BELT-V, FAN
119-4546	SPINDLE HOUSING ASM
119-4775	SPINDLE HOUSING ASM
119-4777	SPINDLE ASM
119-5852	FILTER-OIL
119-6021	TIRE
119-6225	TIRE
119-6343	TIRE
119-6955	MVP KIT-HYD HOSE
119-6956	RADIATOR ASM
119-6957	SERVICE PACK - COMBO BLAD
119-6964	LH HOSE GUIDE ASM
119-6965	RH HOSE-GUIDE ASM
119-6968	DIPSTICK-OIL
119-6972	VARIABLE HYDRAULIC PUMP A
119-6987	HYD CYLINDER ASM
119-6988	HYD CYLINDER ASM
119-6989	HYD CYLINDER ASM
119-6990	HYD CYLINDER ASM
119-6991	HYD CYLINDER ASM
119-8010-03	KICKSTAND
119-8020	ATOMIC BLADE KIT - 3 BLA
119-8021	HIGH FLOW BLADE KIT - 3 B
119-8268	BLADE KIT-FLAT BLADE
119-8313	TIRE
119-8558	BEARING-NOSEAL

Part Number	Description
119-8952	WASHER
119-9040	TANK-HYDRAULIC
119-9044-03	BLADE-EDGER, OSCILLATORY
119-9307-01	ARM-PITCH
119-9746	CABLE-THROTTLE
119-9746	CABLE-THROTTLE
120-0404	BRACKET-HIGH HOC (LH)
120-0405	BRACKET-HIGH HOC (RH)
120-0698	STRAINER-TIP, 100 MESH
120-0699	STRAINER-TIP, 50 MESH
120-0700	NOZZLE-AI .2GPM, YELLOW
120-0701	NOZZLE-AI .4GPM, RED
120-0702	NOZZLE-AI .5GPM BROWN
120-0703	NOZZLE-AI .6GPM, GRAY
120-0704	NOZZLE-AI .8GPM, WHITE
120-0705	NOZZLE-AI 1.0GPM, BLUE
120-0706	NOZZLE-AI 1.5GPM, GREEN
120-0707	NOZZLE-AI TURBO .2GPM, YE
120-0708	NOZZLE-AI TURBO .4GPM, RE
120-0709	NOZZLE-AI TURBO .5GPM, BR
120-0710	NOZZLE-AI TURBO .6GPM, GR
120-0711	NOZZLE-AI TURBO .8GPM,WHI
120-0712	NOZZLE-AI TURBO 1.0 GPM,B
120-0713	NOZZLE-AI TURBO 1.5 GPM,
120-0714	CAP ASM, SINGLE FAN
120-0716	FILTER ASM
120-0781	ROD-CONNECTING
120-1044	GUARD-TURF, 3-TINE (SHORT
120-1045	GUARD-TURF, 4-TINE (SHORT
120-1046	GUARD-TURF, 4-TINE, LONG
120-1047	GUARD-TURF, 5 TINE, SHORT
120-1050	GUARD-TURF, 6 TINE SHORT
120-1051	GUARD-TURF, 3-TINE, LONG
120-1052	GUARD-TURF, 5 TINE, LONG
120-1053	GUARD-TURF, 6 TINE LONG
120-1057	GUARD-TURF, 3-TINE (RH)
120-1058	GUARD-TURF, 3-TINE (LH)
120-1059	GUARD-TURF, 4-TINE (RH)
120-1060	GUARD-TURF, 4-TINE (LH)
120-1061	GUARD-TURF, 5 TINE (RH)
120-1062	GUARD-TURF, 5 TINE (LH)
120-1063	GUARD-TURF, 6 TINE (RH)
120-1064	GUARD-TURF, 6 TINE (LH)
120-1640	BEDKNIFE-LOW HOC EXTENDED
120-1641	BEDKNIFE-LOW HOC EXT
120-1642	BEDKNIFE-LOW HOC EXT
120-2072	HYD MOTOR ASM
120-2114	TIRE-SMOOTH
120-2183	WASHER-THRUST
120-2235	FILTER-FUEL
120-2682-01	BEDBAR
120-2709	CABLE-THROTTLE
120-2709	CABLE-THROTTLE
120-2742	GROOMER BRUSH ASM (GR800)
120-2752	ROD-LIFT, GROOMER
120-2763	BELT-GROOMER
120-2783	TIRE
120-3198	ROLLER-PIVOT
120-3198	PIVOT-ROLLER
120-3220	PLUG-PLASTIC

Part Number	Description	Part Number	Description
120-3220	PLUG-PLASTIC	120-9600	HIGH HOC KIT
120-3221	LH REEL NUT ASM	120-9605	REAR ROLLER ASM, 18"
120-3222	RH REEL NUT ASM	120-9607	NARROW WIEHLE ROLLER ASM,
120-3237	O-RING	120-9609	WIDE WIEHLE ROLLER ASM, 1
120-3351	BELT-3V	120-9611	FULL ROLLER ASM, 18" (2.5
120-3366	BEARING	120-9613	ROLLER TUBE ASM
120-3404	BLOCK-GUIDE	120-9619	BLADE-SCRAPER, WIDE (18 I
120-3407	ENGINE-16HP, VANGUARD (SE	120-9620-03	BLADE-SCRAPER, FULL (18 I
120-3408	ENGINE-18HP, VANGUARD (SE	120-9622	WIDE WIEHLE ROLLER SCRAPE
120-3417	TRACTION PEDAL KIT	120-9623	FULL ROLLER SCRAPER BRUSH
120-3457	REAR HITCH ASM	120-9653	NUT-LOCK, NI
120-3461-01	MOUNT-ENGINE	120-9664	BEARING-BALL
120-3465-03	FRAME-HITCH	120-9695	NUT-JAM
120-3468	RAKE-SPRING	120-9705	SHAFT-INPUT, REEL
120-3476	MUFFLER-DUAL INLET	120-9707	SHAFT-DRIVE, REEL
120-4132-01	CHAMBER-OUTER	120-9742	CLIP-RETAINING
120-4174	WHEEL AND TIRE ASM	120-9941	BOLT-BEDBAR
12-0460	CAPLUG	121-0547	PLUG-SPARK
120-4621	BEARING	121-0618	SET-ELEMENT
120-4817	DRY LUBE, GRAPHITE-AEROSO	121-0675	FUEL STRAINER ASM
120-4980	CABLE-THROTTLE	121-0675	FUEL STRAINER ASM
120-4980	CABLE-THROTTLE	121-0685	FILTER-FUEL
120-5116	WASHER-WAVE	121-1720-01	BRACKET-FORK
120-5118	SHAFT-ADJUSTER	121-1733	OVERHAUL SEAL KIT
120-5120	SPRING-COMPRESSION	121-1736	OVERHAUL SEAL KIT
120-5142	ROLLER BRUSH ASM	12-1190	PINION-IDLER
120-5261	CONTROL-THROTTLE	121-2241	BLADE
120-5313-03	MOUNT-ENGINE	121-2474-0P	PANEL-COOLER
120-5341	KIT-SERVICE, ACTUATOR	121-2520	BRAKE LEVER BRACKET ASM
120-5378	BEARING-BALL	121-2583	FILTER-FUEL, INLINE
120-5404	SHAFT-ROLLER	121-2598-01	SCRAPER
120-5405	ROLLER-WIEHLE, EXTENDED	121-2637	DPA REBUILD KIT
120-5575	PIN	121-2646	ROLLER-WIEHLE, PASPALUM
120-5576	WASHER-HARDENED	121-2756	BATTERY-DOOR
120-5577	BEARING SPACER SET	121-2976	ROD-BRAKE, WIDE (RH)
120-5696	FILTER ASM	121-2977	ROD-BRAKE, WIDE (LH)
120-5754	SEAL KIT	121-3166	BEDKNIFE-STD
120-5754	SEAL KIT	121-3167	BEDKNIFE-LOW CUT
120-5772	BELT-V	121-3182-03	WIEHLE ROLLER SCRAPER (18
120-5819	ALTERNATOR	121-3187	BUSHING
120-5824	BELT-FAN	121-3187	BUSHING
120-6272	HYD MOTOR ASM	121-3199	BRUSH-ROLLER (18IN HIGH H
120-6274	MOUNT-ENGINE	121-3548	RIM
120-6379	SENSOR-FERROUS PROXIMITY,	121-3575	SPACER-HOC
120-6379	SENSOR-FERROUS PROXIMITY,	121-3603	MATCHED SPACER SET
120-6451	TIRE	121-3605	BALL JOINT
120-7230	HD DPA MVP KIT	121-3605	BALL JOINT
120-7448	FILTER-AIR, PAPER	121-3625	FILTER-PUMP, FUEL
120-7639	TIRE	121-3627	DECAL-HEIGHT OF CUT
120-8802	HYD CYLINDER ASM	121-3653	CYLINDER-HYD
120-8874-03	BRACKET-ROLLER, RH	121-3657	KIT-SERVICE, RADIATOR GP
120-8874-03	BRACKET-ROLLER, RH	121-3664	SPINDLE SHAFT ASM
120-8878	RH LIFT ARM ASM	121-3666	SPINDLE ASM
120-8879	LH LIFT ARM ASM	121-3811	ALTERNATOR ASM
120-8910	TIRE-OFF ROAD	121-3882	SHAFT-PIVOT, LIFT ARM
120-8959	HOSE-HYD	121-3891	FILTER-AIR, CAB INTERIOR
120-8987	HOSE-HYD	121-3892	FILTER-AIR, CAB EXTERIOR
120-8988	HOSE-HYD	121-4570	FILTER-FUEL
120-8989	HOSE-HYD	121-4600	NUT-HEX
120-9412	TIRE-TURF	121-4605	WASHER-SPRING

PARTS LIST

Part Number	Description
121-4609	PLUG-EXPANSION
121-4613	ARM-HOC, LH
121-4617	ROD-LIFT
121-4618	ARM-HOC, RH
121-4635	WIEHLE ROLLER ASM, EXT
121-4641	ROLLER-FULL, EXT
121-4675	WIEHLE ROLLER ASM, EXTEND
121-4680	FULL ROLLER ASM, EXT
121-4681	NARROW WIEHLE ROLLER ASM,
121-4682	REAR ROLLER ASM, STEEL
121-5252	BELT-V
121-5253	BELT-V
121-5347-03	BLADE-25.18 INCH, ANGLED
121-5397	SEAL KIT
121-5613	PUMP-FUEL, ELECTRIC
121-5613	PUMP-FUEL, ELECTRIC
121-5631	HUB ASM
121-5633	HUB ASM
121-6288	STARTER ASM F/W
121-6357	REEL
121-6392	PREMIUM ENGINE OIL 10W30
121-6393	PREMIUM ENGINE OIL 10W30
121-6394	PREMIUM ENGINE OIL 15W40
121-6395	PREMIUM ENGINE OIL 15W40
121-6674	BLADE-11 TOOTH DETHATCHER
121-6675	DETHATCHER BLADE KIT (SPR
121-6903-03	REAR ROLLER ASM
121-7856	STEERING VALVE ASM
121-7906	TIRE-22X12X12, TREADED
121-7924	TIRE ASM 22-12X12, TREADED
121-8457	FILTER-AIR
121-9070	VALVE ASM
121-9072	TIRE-TURF TREAD
121-9076	MOUNT-ENGINE
121-9077	ASSEMBLY-WHEEL/TIRE
121-9081-01	COVER-REAR
121-9517	KIT-MVP, GROOMER RE-BUILD
121-9518	KIT-MVP, BLADES-GROOMER,
121-9519	KIT-SERVICE, GEAR PUMP
121-9535	WIEHLE ROLLER ASM, PASPAL
121-9612	BELT
121-9774	ABSORBER-SHOCK
121-9924	BELT-DRIVE
122-0371	LIGHT-WORK, LED
12-3270	SCREW
125-0552	ROLLER BRUSH ASM
125-0554	BRUSH-ROLLER
125-0765	BELT-SYNCHRONOUS
125-1906	PIN-CYLINDER
125-1912	PIN-PIVOT
125-1912	PIN-PIVOT
125-1938	LATCH
125-1954	MOUNT-FRONT
125-1967	BRACKET-BRAKE, PARK
125-1978	SHIELD-GRASS, REAR
125-1984	SPACER
125-1997	SHIELD-GRASS, REAR
125-2098	REAR SHIELD ASM
125-2099	SHIELD-REAR
125-2751	BELT-BRUSH

Part Number	Description
125-2772	LH THREADED INSERT ASM
125-2773	RH THREADED INSERT ASM
125-2779-01	WEIGHT-END, 5 INCH
125-2796	BRACKET-FRONT HOC
125-2902	FILTER-FUEL
125-2909	TREAD-FLOORBOARD
125-2914	FILTER-SEPARATOR
125-2915	FILTER-FUEL/WATER SEPARAT
125-3319	TINE-NEEDLE, 5MM X 5.43
125-3333	BEARING-BALL
125-3511	GREASE-SYNTHETIC
125-3520	BEARING-BALL
125-3526-03	SCRAPER-FULL
125-3527-03	SCRAPER-NARROW
125-3528-03	BLADE-SCRAPER, WIDE (21 I
125-3528-03	SCRAPER-WIDE
125-3537	EXTENDED REAR ROLLER KIT
125-3540	SHAFT-HEX
125-3541	SHAFT-HEX
125-4300	SEAL KIT
125-4301	SEAL KIT
125-4302	SEAL KIT
125-5142-03	BLADE-PUSH, REAR
125-5178	BUSHING
125-5196	BUSHING
125-5222	BUSHING-ECCENTRIC, MACHIN
125-5244	MOUNT-ENGINE
125-5279	BEARING-ROLLER
125-5283	GASKET-CONTROL
125-5288	O-RING
125-5298	O-RING
125-5299	OVERHAUL SEAL KIT
125-5609	PLUG-PLASTIC
125-5610	PAPER-REEL, TORO (10 PACK
125-5623	PAPER-TORO REEL BOOKLET
125-6044	BELT-V,
125-6045	BELT-V, IMPELLER
125-6406	TIRE
125-6465	TIRE
125-7003	STARTER
125-7025	FILTER-ENGINE
125-7249	BEARING, BALL
125-7251	BEARING-BALL
125-7252	BEARING-BALL
125-7253	BEARING-BALL
125-8752	FILTER-FUEL/OIL
125-9139	SPARK PLUG
125-9176	SEAL KIT
125-9249	SPACER-COUPLER, RUBBER
125-9444-03	BLADE-COMBINATION, 25.18
126-1963	BUSHING-PIVOT
126-2928	KIT, ANTI-SCALP ROLLER AX
126-8033	TIRE
127-0259	BELT-BRUSH (22"FWY)
127-0381	INNER FILTER KIT
127-2070	REEL-5 IN FWY, (22) 5 BLD
127-2156	REEL-FLEX (18), 11 BLD
127-2160	11 BLADE REEL ASM
127-2164	18 INCH 11 BLADE LOW DRAG
127-2165	18 INCH 14 BLADE LOW DRAG

Part Number	Description	Part Number	Description
127-2174	REEL-FLEX (21), 8 BLD	130-4119	REEL-7IN FWY, (27) 5 BLD
127-2175	REEL-FLEX (21), 8 BLD	130-4123	REEL-7IN FWY, (27) 8 BLD
127-2181	REEL-GR (21), 8 BLD	130-4127	REEL-7IN FWY, (27) 11 BLD
127-2183	REEL-GR (21), 14 BLD	130-4132	REEL-7IN FWY, (32) 5 BLD
127-2612	GUARD-PIPE, TAIL	130-4136	REEL-7IN FWY, (32) 8 BLD
127-2665-03	FRAME-SUPPORT, RADIATOR	130-4139	REEL-8IN FWY, (30) 7 BLD
127-2741	SHIELD-WHEEL, FRONT	130-4141	REEL-8IN FWY, (30) 11 BLD
127-2742	SHIELD-WHEEL, REAR	130-7096	FILTER ASM
127-2796	TIRE-SMOOTH, 20IN	130-7832	ARM ASM
127-2958	BEARING-BALL	130-7873	GUIDE-HOSE
127-2983	BEARING-BALL	130-7879-01	FRAME-ADAPTER
127-2998	V-BELT	130-7943	VALVE-STEERING,CONTROL
127-3075	FUEL/OIL FILTER ASM	130-7944	VALVE-CONTROL, STEERING
127-3694	HYD MOTOR ASM	130-8094	WASHER-PLAIN
127-3721	RH CASTOR ARM ASM KIT	130-8357	SEAL KIT
127-3731	LH CASTOR ARM ASM KIT	130-8380	SPARK PLUG
127-3741	CASTOR ARM ASM KIT	130-8860	FILTER-OIL, ENGINE
127-3818	STARTER ASM	130-9070	ELEMENT-FILTER, SAFETY
127-4284	WASHER-SPECIAL	130-9151-03	BLADE-20 IN
127-5839	LONG STEERING ROLLER COMP	130-9410	COUPLING-FLEX, 2 BEAM
127-5897	BEARING, BALL 25MM	130-9477	GASKET
127-6124	BLADE-GROOMER, HELIX (.01	131-0504	SHAFT-VERTICUTTER, 5 INCH
127-6214	SEAL-LIP	131-1821	MOUNT-ENGINE
127-6389	DECK CHAMBER SERVICE ASM	131-1821	MOUNT-ENGINE
127-6422	SCREW-GREASE, ROLLER	131-2013	REEL-DPA (21), 5 BLD HD
127-6427	LIFT CYLINDER ASM	131-2382	TIRE
127-6428	LIFT CYLINDER ASM	131-2786	HYD CYLINDER ASM
127-6429	LIFT CYLINDER ASM	131-2787	HYD CYLINDER ASM
127-7109	INSERT-THREADED, 7 INCH (131-3126	SEAL-OIL
127-7109	INSERT-THREADED, 7 INCH (131-3185	CABLE-THROTTLE
127-7111	INSERT-THREADED, 7 INCH (131-3204	REEL-FAIRWAY, 22 INCH (11
127-7111	INSERT-THREADED, 7 INCH (131-3233	GROOMER/RRB SEAL KIT
127-7424	BRAKE CALIPER ASM	131-3364	STD BLADE KIT
127-7424	BRAKE CALIPER ASM	131-3751	KIT - MVP, MULTI PRO
127-7435	TIRE	131-3828	EAR MUFF - HEARING PROTEC
127-8001	SHORT STEERING ROLLER COM	131-4201	PIN-PIVOT
127-8684	CABLE-BRAKE, ADJUSTABLE	131-4293	PIN PIVOT
127-8684	CABLE-BRAKE, ADJUSTABLE	131-4305	PIN
12-8140	KEY SWITCH	131-4399	LEVER, PUMP
12-9390	TIRE (16X4-12) 4 PLY SEMI	131-4876	HEAD BEARING KIT
12-9460	DISC HALF	131-4888	INSERT-SLEEVE, 3/4 INCH
130-0063	INSERT-THREADED, 5 INCH (131-4889	INSERT-SLEEVE, 7/8 INCH
130-0063	INSERT-THREADED, 5 INCH (131-5528	BEARING-ROLLER
130-0064	INSERT-THREADED, 5 INCH (131-6150	SCREW-HWHTF
130-0064	INSERT-THREADED, 5 INCH (131-6262	MVP KIT-INITIAL 800 HOUR,
130-0071	REEL-8IN FWY, (30) 7 BLD	131-6557	ALTERNATOR ASM
130-0075	REEL-8IN FWY, (30) 5 BLD	131-6561	STARTER ASM
130-0081	REEL-7IN FWY, (30) 11 BLD	131-6572	TORO PREMIUM FUEL TREATME
130-0088	REEL-5IN FWY, (21) 5 BLD	131-6581	PAINT-AEROSOL,TORO RED-IN
130-0093	REEL-5IN FWY, (21) 8 BLD	131-6667	TIRE
130-0105	KIT-BEARING AND SEAL REBU	131-6670	TIRE
130-0107	CONTROL CLUTCH CABLE ASM	131-6673	TIRE-REAR
130-0107	CONTROL CLUTCH CABLE ASM	131-6690	SEAT COVER, SMALL
130-1188	FUEL FILTER ASM	131-6691	SEAT COVER, LARGE
130-1193	FUEL FILTER ASM	131-6828	INDICATOR-ANGLE
130-1241	V BELT	131-6829	MOUNT-INDICATOR, ANGLE
130-1673	CABLE-THROTTLE	131-7800	ROLLER ASM (UHMW)
130-1899	AIR FILTER ASM	131-8276	MVP KIT 400 FILTER KIT WO
130-2660	MVP KIT-BLADE PACK, STD (131-8318	TIRE
130-4105	BLADE-GROOMER	131-8319	TIRE/WHEEL ASM

PARTS LIST

Part Number	Description
131-8433	TIRE-REAR
131-8440	TIRE-REAR, A299
131-8443	TIRE-K299
131-8444	STARTER/GENERATOR ASM
131-8588	FILTER-FUEL (75 MICRON GR
131-8785	MVP KIT-800 HOUR, GR3150
131-8795	KIT-CLUTCH SHAFT SERVICE
132-0370	ELEMENT-AIR CLEANER
132-1319	BLADE-ROTARY, 19.00 HIGH
132-1324	BELT-V, 54.75 INCH
132-1325	BLADE SERVICE PACK
132-1390-03	BLADE-ATOMIC 20.00 IN
132-1391	BLADE SERVICE PACK, ATOMI
132-1392	BLADE SERVICE PACK, 20.00
132-1440	BLADE-BELT KIT
132-3777	STEERING CYLINDER ASM
132-3778	CYLINDER-STEERING
132-3831	LOCK ASM
132-3841	SHAFT-DRUM EXTENSION, RH
132-3842	SHAFT-DRUM EXTENSION, LH
132-4350	PUMP-PISTON, VARIABLE
132-4351	PUMP-PISTON, VARIABLE
132-4389	HANGER
132-4393	PLATE-TROWEL, RH
132-4394	PLATE-TROWEL, LH
132-4395	PLATE-TROWEL, CENTER
132-4427-0P	BLADE-WEEDER
132-4586	SCREW-HOC
132-5206	ENGINE-KUBOTA (CORE CHG A
132-5209	ENGINE-KUBOTA (CORE CHG A
132-5982	BELT-V
132-6116	HOSE-HYD
132-6205	OVERHAUL SEAL KIT
132-6206	O-RING
13-2650	BELT-V
132-6959	BALLJOINT
132-6971	HUB-DRUM
132-6971	HUB-DRUM
132-6979	BEARING-ROLLER W/COLLAR
132-6994	HOUSING-BELL
132-7312	ES 8 BLADE REEL ASM
132-7313	ES 11 BLADE REEL ASM
132-7314	ES 14 BLADE REEL ASM
132-7353	ES 11 BLD REEL ASM
132-7354	14 BLADE REEL ASM
132-7354	ES 14 BLD REEL ASM
132-7361	8-BLADE REEL ASM
132-7361	ES 8 BLADE REEL ASM
132-7362	ES 11BLADE REEL ASM
13-2840	KEY-SQUARE
132-8621	BATTERY - CORROSIVE
132-9421	PULLEY-IDLER, FLAT
132-9510	BASKET ASSEMBLY
132-9598	MAT-ROLLER
133-0140	REEL- 8IN FWY, (30) 5 BLD
133-0150	UNIVERSAL GROOMER ASM RM
133-0151	UNIVERSAL GROOMER ASM RM
133-0152	RM3550 18" RRB (FOR UNIVS
133-0153	RM5010/RM3555 5" 22" RRB(
133-0154	RM5010/RM3575 7IN 22IN RR

Part Number	Description
133-0155	RM3550 18" RRB (ONLY) MVP
133-0157	RM5010/3555 5" X 22" RRB
133-0158	RM5010/3575 7IN X 22IN RR
133-0195	ES REEL-FWY, (32) 8 BLD (
133-0577	SEAT ASM
133-0614	PISTON KIT
133-0614	PISTON KIT
133-0628	BRAKE PAD KIT
133-0628	BRAKE PAD KIT
13-3090	SPRING-FINGER
133-2331	KIT, HYDRAULIC TANK
133-2332	KIT, DIESEL FUEL TANK
133-2337	ROLLER ASM
133-2378	BEARING
133-2724	TIRE
133-2900	SEAL KIT
133-2929	CONTROL-THROTTLE
133-2934	HYDRAULIC MOTOR ASM
133-2935	HYDRAULIC MOTOR ASM
133-2940	TIRE-SMOOTH, 26.5 IN
133-2950	KIT-WHEEL MOTOR
133-4525-01	BEDBAR
133-4724	TIRE
133-4894	TIRE-TURF
133-5659	WASHER-RUBBER
13-3629	OVER HAUL KIT
13-3649	O/H KIT RM216 5/8/11 CU
13-3659	O/H KIT GR3000 5/8/11CU
13-3679	OVERHAUL KIT-450D C/U
13-3710	WASHER
133-7570	NUT-FLANGE, NI
133-8086	PX HYD FLUID (5 GAL)
133-8087	PX HYD FLUID (55 GAL)
133-8205	ES REEL-7IN FWY (22) 5BLD
133-8271	ES REEL-FWY, (27) 11 (RR)
133-8273	ES REEL-FWY, (32) 8 (RR)
133-8278	ES REEL-FWY, (27) 11 BLD
133-8895-03	SCRAPER-ROLLER, NARROW (1
133-8896	SEAT ADJUSTER LEVER ASM
133-8896	SEAT ADJUSTER LEVER ASM
133-8897	RECOIL STARTER ASM
133-8897	RECOIL STARTER ASM
133-8898	MVP KIT-SEAL, CLUTCH
133-8899	SHAFT SERVICE ASM
133-8905	SEAL-OIL
134-0536	BLADE-ROTARY, CTR
134-0537	BLADE-ROTARY, SWING, RH
134-0538	BLADE-ROTARY, SWING, LH
134-0567	PREFILTER-AIR
134-0575	FILTER-AIR
134-0576	ELEMENT-AIR FILTER, INNER
134-0639	WHEEL- ANTI SCALP
134-1208	FILTER-OIL, ENGINE
134-1229	TIRE-FRONT
134-1230	TIRE-REAR
134-1368	ELEMENT-FILTER , HYDRAULI
134-1447	FUEL FILTER ASM
134-1524	FILTER-FUEL
134-1997	FILTER-FUEL
134-3085	ELEMENT-FILTER, FUEL

Part Number	Description
134-3123	FILTER-TANK, HYDRAULIC
134-3959	FILTER-AIR
134-3961	ELEMENT-AIR FILTER, INNER
13-4960	SHAFT-PLATE, FINGER
136-1010	SEAL OVERHAUL KIT
136-1100	SPARK PLUG
136-1126	TIRE-FRONT, K299
136-1127	TIRE-REAR, K299
136-2881	KIT-BALLAST (27IN. C/U)
136-2908	ROLLER ASM
136-2915	KIT-BALLAST(22IN C/U)
136-2921	HOC PLATE ASM
136-2922	SHAFT-CARRIER, PIVOT
136-3154-0P	BRACKET-CLEANER, AIR
136-3154-0P	BRACKET-CLEANER, AIR
136-3339	SPINDLE SHAFT ASM
136-3568	PIN
136-4370-03	BLADE-ROTARY, MEDIUM SAIL
136-4390	WHEEL AND TIRE ASM
136-4440	TIRE-HIGH TRACTION
136-4442	TIRE-HIGH TRACTION
136-4475	TIRE
136-5270	TIRE-TURF
136-5375	TIRE (23X10.50-12)
136-6280	MVP KIT 400 WORKMAN GTX (
136-6296	BELT-VARIABLE
136-7287	SHAFT-HEX, RH
136-7963	TIRE ASM
136-7964	WHEEL
136-8005	LIFT ARM #5
136-8446	KIT, CENTER PULL FRAME
136-8483	FRAME-PULL, RH
136-8484	FRAME-PULL, LH
136-8485	FRAME-PULL, CENTER
136-8489	PULLEY-DRIVEN, SPLINED
136-8577	PULL FRAME ASM
137-0830	BEDKNIFE-EDGEMAX LOWCUT 1
137-0831	BEDKNIFE-EDGEMAX
137-0832	BEDKNIFE-EDGEMAX LOWCUT
137-0833	BEDKNIFE-EDGEMAX (FAIRWAY
137-0879	BEDKNIFE-EDGEMAX
137-1311	SEAT COVER - MESH SMALL
137-1312	SEAT COVER - MESH LARGE G
137-1653	IDLER ARM ASM
137-3387	DECAL-DASH
137-3388	CONTROL PANEL ASM
137-3571	TIRE ASM
137-3644	BELT-V
137-3645	BELT-V
137-3659-03	BLADE-LIFT, MEDIUM
137-3671-03	BLADE-19.00 IN, HIGH LIFT
137-5215	JUMP DRIVE - SERVICE AND
137-5500	BLADE PACK, CE MED SAIL (
137-5512	DYNAMO
137-5529	WHEEL ASM
137-5529	WHEEL ASM
137-5580	KIT-MOUNT, WING
137-5640	IDLER PIVOT ASM
137-5640	IDLER PIVOT ASM
137-6101	LONG REAR ROLLER ASM (2.5

Part Number	Description
137-6103	SHORT REAR ROLLER ASM (2.
137-6105	2.5IN DIA SHORT REAR ROLL
137-6105	SHORT REAR ROLLER ASM (2.
137-6107	LONG REAR ROLLER ASM
137-6107	LONG REAR ROLLER ASM (2.5
137-6109	FULL FRONT ROLLER ASM (2.
137-6110	TUBE ROLLER 3.0IN DIA X 2
137-6111	FULL FRONT ROLLER ASM (3I
137-6112	TUBE-LONG
137-6113	LONG REAR ROLLER ASM (3IN
137-6115	3 IN DIA ROLLER TUBE ASM
137-6115	TUBE-ROLLER (SHORT)
137-6116	FULL ROLLER ASM
137-6116	FULL FRONT ROLLER ASM (3I
137-6117	3 INCH DIA ROLLER ASM (SH
137-6117	SHORT REAR ROLLER ASM (3I
137-6118	REAR ROLLER ASM (SHORT)
137-6118	SHORT REAR ROLLER ASM (3I
137-6120	LONG REAR ROLLER ASM (3IN
137-6121	FULL FRONT ROLLER ASM (3I
137-6123	LONG REAR ROLLER ASM (2.5
137-6124	FULL FRONT ROLLER ASM
137-6124	FULL FRONT ROLLER ASM (2.
137-6126	REAR ROLLER ASM
137-6130	SCREW-ADJUSTER, BEDBAR
137-6132	SCREW-ADJUSTER, BEDBAR
137-6141	REAR ROLLER ASM
137-6142	ROLLER TUBE ASM
137-6143	ROLLER ASM
137-6143	GM REAR ROLLER ASM (3IN D
137-6145	ROLLER ASM-SECTIONAL
137-6145	GM SECTIONAL ROLLER ASM (
137-6611	SEAL KIT
137-6612	SEAL KIT
137-6613	SEAL KIT
13-7749	HOUSING AND BEARING ASM
13-7759	HOUSING AND BEARING ASM
13-7769	LH HOUSING AND BEARING AS
137-8402	ES REEL+,5IN FWY(18) 8 BL
137-8403	ES REEL+, 5IN FWY (18) 11
137-8406	ES REEL+,5IN FWY(18)8 BLD
137-8407	ES REEL+,5IN FWY(18)11 BL
137-8409	ES REEL+,5IN FWY(18)11 BL
137-8412	ES REEL+, 5IN FWY (22) 8
137-8413	ES REEL+, 5IN FWY (22) 11
137-8416	REEL+,5IN FWY(22)8 BLD
137-8417	REEL+,5IN FWY(22)11 BLD
137-8422	ES REEL+,5IN FWY(22)8 BLD
137-8423	ES REEL+,5IN FWY(22)11 BL
137-8426	ES REEL+,5IN FWY(22)8 BLD
137-8427	ES REEL+,5IN FWY(22)11 BL
137-8429	ES REEL+,5IN FWY(22)11 BL
137-8432	REEL+,7IN FWY(22)8 BLD
137-8433	REEL+,7IN FWY(22)11 BLD
137-8437	ES REEL+,7IN FWY(22)5 BLD
137-8438	ES REEL+,7IN FWY(22)8 BLD
137-8439	ES REEL+,7IN FWY(22)11 BL
137-8444	ES REEL+,7IN FWY(22)5 BLD
137-8445	ES REEL+,7IN FWY(22)8 BLD
137-8446	ES REEL+,7IN FWY(22)8 BLD

*Not illustrated. **Not sold separately. See pages 12-25 for kit contents. Prices subject to change without notice. Please see your Parts Catalog or Master Parts Viewer to ensure the correct part is ordered, as the part you need may not be listed above. toro.com/parts

PARTS LIST

Part Number	Description
137-8447	ES REEL+,7IN FWY(22)11 BL
137-8451	REEL+,7IN FWY(22)5 BLD(SP
137-8452	REEL+,7IN FWY(22)7 BLD(SP
137-8453	REEL+,7IN FWY(22)11 BLD(S
137-8455	ES REEL+,7IN FWY(22)11 BL
137-8459	REEL+,FWY(27)5 BLD
137-8460	REEL+,FWY(27)8 BLD
137-8461	REEL+,FWY(27)11 BLD
137-8464	ES REEL+,FWY(27)8 BLD
137-8465	ES REEL+,FWY(27)11 BLD
137-8469	ES REEL+,FWY(27)5 BLD LD(
137-8470	ES REEL+,FWY(27)8 BLD LD(
137-8471	ES REEL+,FWY(27)11 BLD LD
137-8476	REEL+,FWY(32)5 BLD
137-8477	REEL+,FWY(32)8 BLD
137-8479	ES REEL+,FWY(32)8 BLD
137-8482	ES REEL+,FWY(32)5 BLD LD(
137-8483	ES REEL+,FWY(32)8 BLD LD(
137-8488	ES REEL, SPA 4BOLT, 8 BLD
137-8489	ES REEL, SPA 4BOLT, 11 BL
137-8495	ES REEL, DPA (21), 8 BLD
137-8496	REEL-DPA (21), 11 BLD
137-8496	ES REEL, DPA (21), 11 BLD
137-8497	REEL-DPA (21), 14 BLD
137-8497	ES REEL, DPA (21), 14 BLD
137-8504	REEL, DPA (21), 5 BLD HD
137-8505	REEL, DPA (21), 8 BLD HD
137-8511	ES REEL+,LOW DRAG (21), 8
137-8512	REEL+ ASM
137-8513	ES REEL+, LD (21), 14 BLD
137-8517	REEL+, LOW DRAG (21), 8 B
137-8522	ES 11 BLD REEL-ASM
137-8522	ES REEL+,LOW DRAG (18), 1
137-8523	ES REEL+,LOW DRAG (18), 1
137-8566	REEL-FLEX (18), 14 BLD
137-8566	ES REEL-FLEX(18), 14 BLD
137-8570	REEL-FLEX (21), 11 BLD
137-8574	REEL-FLEX (21), 14 BLD
137-8577	REEL-SPA 4BOLT, 8 BLD
137-8580	ES REEL-SPA 4 BOLT, 11 BL
137-8594	BEARING HOUSING ASM
137-8598	BLADE-GROOMER
137-8599	BLADE-GROOMER
137-9706	DECAL-WARNING
137-9706	DECAL-DANGER, CE
138-1227	DECK CHAMBER ASM
138-1248	PIVOT YOKE ASM
138-1520-01	BEDBAR
138-1522-01	BEDBAR
138-1547	ROLLER-WIEHLE
138-1557	ROLLER-WIEHLE
138-1618	ROLLER-FULL
138-1619	ROLLER-FULL
138-1620	ROLLER-FULL
138-1621	ROLLER-WIDE WIEHLE
138-1622	ROLLER-WIDE WIEHLE
138-1930	LOW DRIVEN SPINDLE ASM
138-4975	HOSE ASM-HYD HP
138-5553	FILTER-FUEL, 250 MICRON
138-5600	DRIVESHAFT ASM

Part Number	Description
138-5753	8 BLD LD ES REEL+ ASM (26
138-5755	11 BLD LD ES REEL+ ASM (2
138-6303	ARM-PULL-ASSEMBLY-RH
138-6311	ARM-PULL-ASSEMBLY-LH
138-6335	RETAINER-BATTERY
138-6367	WRENCH
138-6388	SPINDLE SHAFT ASM
138-6391	SPINDLE ASM
138-6408	RH SPINDLE ASM
138-6416	SPACER-SPINDLE, SHAFT
138-6465	CENTER SPINDLE ASM
138-6903	ENGINE-KUBOTA, D902
138-6941	HYD CYL ASM
138-6994	CYLINDER-HYDRAULIC
138-8207	DAMPER
138-8207	DAMPER
138-8242	TIRE (23 X 8.5-12) 6 PLY
138-8242	TIRE (23X8.5-12) 6-PLY
138-8579	BIMINI SHADE KIT
138-9028	MVP KIT-BLADES, HGH (GM12
138-9029	MVP KIT-BLADES, STD (GM12
138-9146	ELEMENT, AIR CLEANER (DUA
138-9699	GROOMER SHAFT ASM
138-9705	RADIATOR
138-9706	RADIATOR
139-0686	CAP
139-0956	HYD CYLINDER ASM
139-0959	CYLINDER ASSEMBLY
139-0972	RADIATOR
139-0994	SEAL REPAIR KIT
139-1032	HIGH DRIVEN SPINDLE ASM
139-1033	DOUBLE DRIVEN SPINDLE ASM
139-1034	SINGLE DRIVING SPINDLE AS
139-1035	SINGLE DRIVEN SPINDLE ASM
139-1036	DOUBLE DRIVING SPINDLE AS
139-1037	DOUBLE DRIVEN SPINDLE ASM
139-1038	HIGH DRIVEN SPINDLE ASM
139-1039	LOW DRIVEN SPINDLE ASM
139-1042	SPINDLE-SHAFT
139-1044	SHAFT-SPINDLE
139-2650	CYLINDER, HYD
139-2651	CYLINDER, HYD
139-2680	SEAT ASM
139-2699	KIT, CARBIDE GROOMING REE
139-2723	KIT-BRAKE
139-2723	KIT-BRAKE
139-3358	SHOCK/SPRING ASM
139-3358	SHOCK/SPRING ASM
139-4318	BEDKNIFE-EDGEMAX, MICROCU
139-4319	BEDKNIFE-EDGEMAX, TOURNAM
139-4320	BEDKNIFE-EDGEMAX, MICROCU
139-4321	BEDKNIFE-EDGEMAX, TOURNAM
139-4322	BEDKNIFE-EDGEMAX, MICROCU
139-4323	BEDKNIFE-EDGEMAX, TOURNAM
139-4324	BEDKNIFE-EDGEMAX, 26" MIC
139-4346	ROLLER TUBE ASM, 26" FULL
139-4475	TIRE-20 X 8.00-10
139-4497	MVP KIT 400 WORKMAN GTX (
139-5950	BRAKE SHOE KIT
139-5951	RH BRAKE ASM

Part Number	Description
139-5952	LH BRAKE ASM
139-6017	FILTER-FUEL
139-6031	PULLEY-IDLER
139-6234	FUEL FILTER ASM
139-6472	PULL LINK ASM
139-6494	HYD HOSE ASM (PRESSURE NO
139-6495	HYD HOSE ASM (RETURN NO.
139-6496	HYD HOSE ASM (PRESSURE NO
139-6497	HYD HOSE ASM (RETURN NO.
139-6498	HOSE-HYD (PRESSURE NO. 1)
139-6498	HYD HOSE ASM (PRESSURE NO
139-6499	HYD HOSE ASM (RETURN NO.
139-6522	ENGINE-BRIGGS STRATTON,VA
139-6524	ENGINE-BRIGGS STRATTON,VA
139-6528	HOSE ASM
139-6529	HOSE ASM
139-6530	HOSE ASM
139-6531	HOSE-HYD
139-6532	HOSE ASM
139-6533	HOSE-HYD
139-6533	HOSE ASM
139-6534	HOSE ASM CASE 1
139-6535	HOSE ASM CASE 2
139-6536	HOSE ASM CASE 3
139-6539	PULL LINK ASM
139-7411	INTERLACED ROLLER SCRAPER
139-7412	INTERLACED ROLLER SCRAPER
139-7799-03	BLADE-ATOMIC, 19.00 IN
140-0000	BUSHING-WIRE, SCRAPER
140-0002	SCRAPER-WIRE
140-0028	MVP KIT-BLADES, ATOMIC (G
140-0029	TEMPLATE-SCRAPER
140-0034	ROLLER SCRAPER KIT
140-0048spSP	ROLLER ASM
140-0282	ENGINE
140-0283	ENGINE-BAS, 3564470636G1U
140-2250	TIRE
140-2443	FILTER-FUEL
140-3058-03	BLADE-ROTARY, 24.5 RECYCL
140-3060-03	BLADE-ROTARY, 20.5 RECYCL
140-3142	LINK-DRAG, RH
140-3144	LINK-DRAG, LH
140-3441	ROLLER ASM, WIDE WIEHLE
140-5233	KIT-TRIFLEX HYDRAULIC HOS
140-5235	MVP KIT-HYD HOSE, GR3250-
140-5236	MVP KIT-HYD HOSE, GR3150
140-5248	PIN-PIVOT
140-5510	BEARING-SEALED
140-5514	BRUSH-ROLLER (27IN HIGH H
140-5531	SHIM-REEL, TORO (0.002 IN
140-5552	ROLLER SEAL REBUILD KIT
140-5560	REAR FULL ROLLER ASM (SER
140-5580	BLADE-GROOMER, THIN CARBI
140-5580	BLADE-GROOMER, TWIN TIP
140-5847	PULLEY-IDLER
140-5848	PULLEY-IDLER
140-6101	PIN-PIVOT, AXLE
140-6159	NEEDLE TINE HOLDER ASM
140-6248	DAMPER-LEVER
140-7039	BEARING-FLANGE, 2 BOLT

Part Number	Description
14-0829	REEL FRAME ASM
140-8561	PULLEY-IDLER
140-8561	PULLEY-IDLER
140-8823	NEEDLE TINE HOLDER ASM
140-9214	ROLLER ASM, EXTENDED WIEH
140-9234	NUT-LOCK, NI
140-9258	REAR ROLLER ASM, 18 INCH
140-9259	REAR ROLLER ASM, 21 INCH
142-6858	KIT,MUFFLER
14-4459	HOUSING-BEDBAR
14-4479	REAR HOC BRACKET AND BUSH
14-4479	HOC REAR BRKT(MACH)
14-4489	FRONT HOC BRACKET ASM
1-513374	METER-HOUR
1-523420	BUMPER
1-603299	ROLLER-SCALP, ANTI
1-603903	SPACER
16-1019	CHANNEL
16-9759	LINK ASM
16-9769	BEDBAR ADJUSTER HOUSING A
17-1580	SPACER (0.5 INCH)
17-1590	BLADE-11 TOOTH
17-1600	SPACER (0.25 INCH)
17-1620	BUSHING-WHEEL
17-1630	WHEEL
17-1640	LH SCRAPER WHL
17-1650	RH SCRAPER WHEEL
17-2490	SPROCKET
17-2520	STUD-TYPE, DRIVE
17-8149	WHEEL HUB ASM
17-9420	SCREW-HANDLE
17-9426	SCREW-HANDLE
1-806003	PIN-COTTER
18-6320	WASHER-STEERING
18-6340	STEERING SHAFT-LOWER
18-6370	CHAIN
18-6380	PIN-ADJUSTMENT, STEERING
18-7160	PIN-CYLINDER
18-7310	PIN-CYLINDER
18-7530	BALL JOINT ASSY CENTE
18-7660-01	SWIVEL BRKT ASM
1891	E-RING
1891	E-RING
19-1470	SCREW-SHOULDER
19-1471	SCREW-SHOULDER
19-2090	CHOKE CONTROL
19-9540	LH SPRING
19-9550	RH SPRING
19-9560	SPRING SPACER
19-9820	BED BAR PIVOT
20-4290	MAT-DRAG
20-4670	DRAG LINK
20-7380-01	BLADE-SPIKE, PROFILED
20-9500	WASHER
21-0890	V-BELT
21-1030	SPANNER BUSHING
2112-11	CLAMP-MUFFLER
2112-9	CLAMP
21-1880	GRIP-HANDLE
21-3001	NUT-JAM

PARTS LIST

Part Number	Description
21-3850	ROLLER BRG W/46-8960
21-3860	WHEEL
21-3870	AXLE ASM
215-75	HOLD DOWN SPRING
21-6410	BEARING-ROLLER, FRONT
217-117	WHEEL
217-60	RIM
217-74	BOLT-WHEEL
21-8180	BEARING ASM
21-8450	REAR ROLLER ASM
21-8470	SHAFT-ROLLER
21-8500-01	PULL ARM ASM RH
218-578	FUSE-BLADE, 10 AMP
218-594	FUSE-20 AMP
21-8640	LATCH-LEVER, VALVE
21-9370	SCREW-ADJUSTING
21-9380	NUT-PIVOT
21-9390	SOCKET-SCREW, ADJUSTING
21-9420	SPRING-RETURN, LH
21-9430	SPRING-RETURN, RH
21-9440	SPRING-SCREW, ADJUSTING
21-9450	SHIELD-DUST
21-9460	RETAINER-LEVER, BRAKE
2210-118	GASKET W/ENGINE
2-2149	LH ROLLER BRKT & BSHG
22-8720	SEAL KIT
23-0660	SWITCH-STARTER
231-101	TIRE (23X8.5-12) 4-PLY TU
231-103	TIRE(20X8-10) 4-PLY
231-105	TIRE-RIBBED
231-122	TIRE-4-PLY
231-126	TIRE (13X5-6) 4-PLY RIBBE
231-3	TIRE(16X4.8-8)2-PLY PNEUM
231-95	TIRE(23X10.5X12) 4-PLY WI
232-24	STEM-VALVE
23-2270	BUSHING-RUBBER
232-3	TUBE-INNER
23-2300	FILTER-OIL, TRANSMISSION
232-37	TUBE
23-2410-03	BLADE-HIGH SAIL, 25 INCH,
23-2790-01	BLADE-SCRAPER
233-21	KNOB
233-25	KNOB-CONTROL
233-42	KNOB
233-48	KNOB
233-70	KNOB-STAR, THREE
23-4800	THROTTLE CONTROL
237-101	O-RING
237-143	O-RING
237-143	O-RING
237-146	O-RING
237-148	QUAD SEAL RING
237-156	O-RING
237-158	O-RING
237-161	O-RING
237-177	O-RING
237-21	O-RING
237-22	O-RING
237-30	O-RING
237-38	O-RING

Part Number	Description
237-42	O-RING
237-54	O-RING
237-58	O-RING
237-65	O-RING
237-68	O-RING
237-77	O RING
237-78	O-RING
237-79	O-RING
237-80	O-RING
237-81	O-RING
237-84	GROMMET
237-86	O-RING
237-95	O-RING
237-97	O-RING
237-99	O-RING
23-9740	FILTER-OIL, HYDRAULIC
240-11	BUSHING-FLANGE
240-12	GROMMET-RUBBER
240-14	BUMPER-RUBBER
240-14	BUMPER-RUBBER
240-3	GROMMET-RUBBER
240-4	GROMMET-RUBBER
240-5	GROMMET
240-7	GROMMET-RUBBER
240-9	GROMMET
2410-30	CAP-PLASTIC
2410-64	PLUG-BUTTON
241-119	CAP-DUST
2411-33	BALLJOINT-RH (W/GROMMET)
2411-36	BEARING-END, ROD
2411-38	JOINT-BALL
2411-40	END-ROD
2411-41	ROD END-BALL JOINT
2411-42	JOINT-BALL, LH
2411-43	JOINT-BALL
2411-44	END-ROD
2411-46-03	LH TIE ROD ASM
2412-10	CLAMP-R
2412-108	CLAMP-WORM
2412-111	CLAMP
2412-125	CLAMP-HOSE
2412-129	CLAMP-HOSE
2412-130	CLAMP-HOSE
2412-133	CLAMP-R
2412-133	CLAMP-R
2412-134	CLAMP-R
2412-137	CLAMP-R, DOUBLE
2412-143	CLAMP-HOSE
2412-146	CLAMP-HOSE
2412-3	CLAMP-HOSE
2412-34	CLAMP-HOSE
2412-36	CLAMP-HOSE
2412-37	MUFFLER CLAMP
2412-4	CLAMP-R
2412-41	CLAMP-R
2412-73	CLAMP-R
2412-89	CLAMP-R
2412-92	CLAMP-HOSE
2412-94	CLAMP
2412-98	CLAMP-HOSE

Part Number	Description
242-50	NUT-LUG
24-8840	RING-RETAINING, WHEEL BEA
24-9180	STRUT AND LEVER ASM
249-40	KEEPER
251-181	.500 RF BALL BEARING
251-206	1.000 RLL BALL BEARNG
251-247	HOUSED BRG
251-252	BEARING
251-253	BEARING
251-257	BEARING-BALL
251-259	BEARING-BALL
251-293	BEARING
251-311	BEARING-BALL
251-312	BEARING-BALL
251-318	BEARING-BALL
251-321	BEARING-BALL, FLANGED
251-327	BEARING-BALL
251-328	BEARING-BALL
251-331	BEARING
251-336	BEARING-BALL
251-337	BEARING
251-338	BEARING-BALL
251-342	BEARING-BALL
251-346	BEARING-BALL
251-347	BEARING-BALL
251-352	BEARING
251-6	BEARING-BALL
251-77	COLLAR-LOCK, BEARING
251-8	BEARING-BALL
251-82	BEARING-BALL
25-2400	GASKET
252-6	BEARING-NEEDLE
25-2630	RING-BACK UP
252-66	BEARING-THRUST
253-111	SEAL-OIL
253-117	SEAL-OIL
253-118	SEAL-OIL
253-120	SEAL-OIL
253-122	SEAL-OIL
253-129	SEAL
253-133	SEAL-OIL
253-134	SEAL-GREASE
253-137	OIL SEAL
253-138	SEAL-OIL
253-139	SEAL-OIL
253-141	SEAL
253-152	SEAL-OIL
253-154	SEAL-OIL
253-159	SEAL
253-163	SEAL
253-165	SEAL-OIL
25-3210	SEAL-LIP
253-61	SEAL-OIL
253-70	SEAL-OIL
253-83	SEAL-OIL
253-84	SEAL-OIL
253-96	SEAL-OIL
254-106	CONE-BEARING, TAPERED
254-107	CUP-BEARING, TAPERED
254-62	BEARING-ROLLER, CONE

Part Number	Description
254-65	BEARING-ROLLER, CONE
254-66	CUP-BEARING, ROLLER
254-67	CUP-BEARING, ROLLER
254-68	CONE-BEARING, ROLLER
254-72	BEARING-CUP, TAPERED
254-78	BEARING-CONE
254-79	BEARING-ROLLER, CUP
254-86	LOCKNUT
254-87	WASHER-LOCK
254-90	BEARING-CUP
254-91	CONE-BEARING
254-92	CONE-BEARING, OUTER
254-94	BEARING-CONE, TAPERED
256-1	BUSHING
256-113	BUSHING-FLANGE
256-115	WASHER-THRUST
256-116	BUSHING-FLANGE
256-116	BUSHING-FLANGE
256-132	BUSHING-FLANGE
256-132	BUSHING-FLANGE
256-155	BUSHING-FLANGE
256-156	BUSHING-FLANGE
256-172	BUSHING
256-185	BUSHING
256-2	BUSHING
256-219	BUSHING
256-234	1.0ID X 1.0LG BUSHING
256-236	BEARING-MOUNT, FLANGE
256-239	BEARING-PILLOW BLOCK
256-243	BEARING-FLANGE
256-251	BUSHING
256-252	BEARING-FLANGE
256-254	BUSHING
256-257	BUSHING-NYLINER
256-287	BUSHING
256-292	BUSHING-FLANGE, NI
256-304	WASHER-THRUST
256-311	BUSHING-SPLIT
256-317	BUSHING
256-42	BUSHING
256-76	BUSHING
257-11	WASHER-THRUST
257-5	WASHER-THRUST
257-6	BEARING-THRUST
26-1530-01	FORK-CASTOR
26-1580	SPACER 1/2 IN
26-1820	CAPSCREW
26-1840	PULLEY-IDLER
26-1990	WASHER-BELLEVILLE
26-3790	NUT-LOCK
26-6740	TEMP RESET RELAY
26-8250-01	PIN-ARM, LIFT
26-8310-01	BAIL-LIFT
27-0870	SPINDLE ASM
27-0920	SHAFT
27-0950	SPACER
27-0960	BEARING ASM
27-0970-03	PULLEY ASM
27-0990-03	BLADE-18 INCH
2710-11	LINK-CHAIN

PARTS LIST

Part Number	Description
2710-20	LINK-OFFSET
2710-31	LINK-CONNECTING, NO. 35
27-1040	SPACER
27-1050	CASTOR WHEEL
27-1160	V-BELT
27-1170	THRUST WASHER
27-1180	BEARING RETAINER
27-1190	WHEEL
27-1200	SPANNER BUSHING
27-1210	ROLLER BEARING
27-1970	HUB-PUMP
27-2060	REAR UNIT RETURN HOSE
27-2150	ENGINE MOUNTING PAD
27-2270	ROD-ADJUSTMENT, BRAKE
27-2320	BEARING
27-2360	SWITCH
27-2650	HOC ADJUSTMENT ASM
27-3070	ENGINE WIRE GRD ASM
27-4240	PIN-CYLINDER
27-4240	PIN-CYLINDER
27-5170	SEAT
27-5970	SPACER-SET, MATCHED
27-6590	SPACER-COUPLING, RUBBER
27-6602	SPACER-COUPLING, RUBBER
27-7180	CAP
27-9080	BEARING-FLANGE
28-0670	SEAL-GREASE
281-3	PLUG-PIPE, SQH
28-1590	THROTTLE CONTROL
28-1600	CHOKE CONTROL
282-2	YOKE
283-1	PIN-CLEVIS
283-10	PIN-CLEVIS
283-14	PIN-CLEVIS
283-55	PIN-CLEVIS
283-57	PIN-CLEVIS
283-6	PIN-CLEVIS
283-6	PIN-CLEVIS
283-61	PIN-YOKE
283-62	PIN-CLEVIS
28-3680	TIRE
283-71	PIN-LYNCH
283-73	PIN-CLEVIS
283-8	PIN-CLEVIS
283-82	PIN-CLEVIS
283-83	PIN-CLEVIS
283-88	PIN-CLEVIS
28-4210	SOLENOID
285-17	PLUG-PIPE
28-8720-01	LONG LIFT BAIL ASM
29-4820	ROLLER
29-5530-03	BLADE-STANDARD, 25 INCH,
29-6162	SWITCH-MICRO
29-6163	SWITCH-MICRO
29-8870	WASHER
29-8910	WASHER
29-9100	BRUSH AND HANDLE ASM
30001	MVP KIT-GM228
30002	MVP KIT-GM225
30004	MVP KIT-MD WORKMAN

Part Number	Description
30005	MVP KIT-MID DUTY WORKMAN
30006	MVP KIT-WORKMAN
30008	MVP KIT-HYDROJECT
30010	MVP KIT-GM3000
30012	MVP KIT-RM4000
30014	MVP KIT-RM6500/6700
30015	MVP KIT-RM52/54/5500
30016	MVP KIT-RM3100
30017	MVP KIT-HD WORKMAN
30018	MVP KIT-GR3250
30021	MVP KIT-GM345
30022	MVP KIT-GM328D
30023	MVP KIT-GM325
30024	MVP KIT-GM580-D
30027	MVP KIT-GM3500
30028	MVP KIT-GM455
30029	MVP KIT-GM4000/4100
30030	MVP KIT-GM223
30034	MVP KIT-GM3280
30035	MVP KIT-SANDPRO
30036	MVP KIT-LINE PAINTER
30037	MVP KIT-GM7200/7210
30038	MVP KIT-RM5500
30039	MVP KIT-RM5210/5410/5510
30040	MVP KIT-RM5610
30041	MVP KIT-GM5900/5910
30042	400 HOUR MAINTENANCE KIT
30043	400 HOUR MAINTENANCE KIT:
30051	MVP FILTER KIT-GM3280D (2
30052	MVP FILTER KIT-GM72000D (
30054	MVP FILTER KIT-RM5XXX (20
30055	MVP FILTER KIT-RM5610D (2
30056	MVP FILTER KIT-GM4000D (2
30057	MVP FILTER KIT-RM6XXXX (2
30058	MVP FILTER KIT-GM35XXD (2
30059	MVP FILTER KIT-GM328D (20
30061	MVP FILTER KIT-RM4000D (2
30062	MVP FILTER KIT-GR3250D (2
30063	MVP FILTER KIT-GM580D (20
30064	MVP FILTER KIT-GR3150
30065	MVP KIT-FILTER/SPARK PLUG
30068	MVP KIT-400 HOUR,HDX-D 12
30073	MVP KIT400 HOUR,WMHDX 12
30086	500 HOUR MAINTENANCE KIT
30089	MVP KIT-GM4XXX, 800 HR YA
30090	400 HOUR MVP FILTER KIT-R
30091	800 HOUR MVP KIT-RM5410G/
30093	800 HOUR MVP KIT-RM5410D/
30097	MVP KIT-FILTER/SPARK PLUG
3-0144	SHAFT
302-11	FITTING-LUBE, 45 DEG
302-14	VENT
302-18	FITTING-GREASE
302-2	FITTING-GREASE
302-33	FITTING-GREASE
302-34	FITTING-LUBE
302-39	FITTING-PLUG
302-40	FITTING-GREASE, 90 DEG
30245	MVP KIT - GM3500 (KUBOTA
30246	MVP KIT-GM3500-G (KUBOTA

Part Number	Description
30247	MVP FILTER KIT - RM5010-H
30248	MVP KIT 400HR WORKMAN HDX
30249	MVP KIT 400HR WORKMAN HDX
302-5	FITTING-GREASE
302-57	FITTING-GREASE
302-60	FITTING-GREASE
30261	400 HOUR MVP KIT, GM360 7
30262	GM3280 MVP KIT (MY16 AND
302-62	FITTING-GREASE
3-0312	GASKET
30408	MVP KIT-GM4XXX, 800 HR YA
304-46	DRAINCOCK
304-61	CLAMP-R
31-0750	ROLLER-FRONT
31196	500 HOUR MVP MAINT KIT, O
3-1506	BUSHING
31609	GM5900 T4FINAL FLUID FILT
3210-2	SCREW-HH
32103-12	NUT-WING
32103-22	NUT-WING
3210-4	SCREW-HH
32104-116	SCREW-HWHTF
32104-17	SCREW-HWH
32104-32	SCREW-HWH
32104-76	SCREW-HWHTF
32104-95	SCREW-HWH
32105-13	SCREW-HWH
32105-2	SCREW-SHWH
32105-21	SCREW-HH
32105-9	SCREW
32105-9	SCREW
3210-6	SCREW-HH
32108-101	SCREW-FH
32108-20	SCREW
32108-9	SCREW-FH
321-10	SCREW-HH
321-11	SCREW-HH
3211-2	SCREW-HH
3211-4	SCREW-HH
3211-40	SCREW-HH
321-15	SCREW-HH
3211-6	SCREW-HH
321-18	SCREW-HH
321-2	SCREW-HH
32120-15	RING-SNAP, EXT
32120-18	E-RING
32120-19	E-RING
32120-22	RING-SNAP, INTERNAL
32120-37	RING-RETAINING
32120-42	RING-RETAINING
32120-42	RING-RETAINING
32120-47	RING-RETAINING, EXTERNAL
32120-62	RING-RETAINING
32120-72	RING-SNAP
32120-8	RING-SNAP
32120-8	RING-SNAP
32120-84	RING-SNAP, EXTERNAL
32120-93	RING-RETAINING
32121-11	PIN-ROLL
32121-110	PIN-ROLL, SLOTTED

Part Number	Description
32121-111	PIN-ROLL
32121-112	SPIROL PIN 1/4" X 1.25"
32121-12	PIN-ROLL
32121-122	PIN-ROLL
32121-123	PIN-ROLL
32121-15	PIN-ROLL
32121-16	PIN-SPRING
32121-2	PIN-ROLL, SLOTTED
32121-24	PIN-SPRING
32121-3	PIN-SPRING
32121-32	PIN-ROLL
32121-34	PIN-ROLL
32121-35	PIN-ROLL
32121-36	PIN-SPRING
32121-44	PIN-ROLL
32121-45	PIN-SPRING
32121-50	PIN-SPRING
32121-51	PIN-ROLL
32121-6	PIN-ROLL, SLOTTED
32121-67	PIN-SPRING
32121-69	PIN-SPRING
32121-73	PIN-ROLL
32121-9	PIN-ROLL, SLOTTED
32121-9	PIN-ROLL, SLOTTED
321-23	SCREW-HH
3212-4	SCREW-HH
32128-12	NUT-LOCK, FLANGE
32128-15	NUT-LOCK, FLANGE
32128-16	NUT-HHF
32128-17	NUT-LOCK, FLANGE
32128-19	NUT-HF LOCK,LARGE FLG
32128-20	NUT-HF
32128-21	NUT-HF LOCK
32128-23	NUT-HF
32128-25	NUT-HF
32128-32	NUT-HHF
32128-33	NUT-HF
32128-36	NUT-HF
32128-37	NUT-HF
32128-39	NUT-HHF
32128-42	NUT-HF
32128-43	NUT-FLANGE
32128-48	NUT-LOCK, HHF
32128-49	NUT-HHF
32128-54	NUT-HF
321-3	SCREW-HH
3213-1	SCREW-HH
3213-2	SCREW-HH
3213-20	SCREW-HH
32136-2	NUT-SHH
32136-9	NUT-HEX, SLOTTED
3213-8	SCREW-HH
321-4	SCREW-HH
32140-94	SCREW-HH, SEMS
32141-111	NUT-ADJUSTING
32141-36	SCREW-ADJUSTMENT, LEVEL
32144-1	SCREW-TAPTITE
32144-10	SCREW-HWH
32144-102	SCREW-HWH
32144-14	SCREW-HWHTF

PARTS LIST

Part Number	Description
32144-18	SCREW-HWH
32144-4	SCREW-HWH
32144-44	SCREW-HWH, THREAD ROLL
32144-57	SCREW
32144-69	SCREW-HWHTF
32146-13	NUT-HEX
32146-20	NUT-HEX
32148-6	NUT-CLINCH
32149-2	NUT-KEPS
32149-8	NUT-KEPS
321-5	SCREW-HH
32151-104	RING-RETAINING, EXTERNAL
32151-12	RING-RETAINING
32151-34	RING-RETAINING
32151-36	RING-RETAINING
32151-47	RING-RETAINING
32151-60	RING-SNAP
32151-61	RING-RETAINING
32151-62	RING-RETAINING
32151-71	RING-RETAINING, INTERNAL
32151-75	RING-RETAINING
32151-77	RING-RETAINING, EXTERNAL
32151-92	RING-RETAINING
32151-95	RING-RETAINING
32152-1	NUT-LOCK, CONE
32152-4	NUT-LOCK, CONE
32153-5	NUT-HEX
32153-6	NUT-LOCK
321-6	SCREW-HH
3216-16	SCREW-HH
3217-12	NUT-HEX
3217-5	NUT-HEX
3217-6	NUT-HEX
3217-7	NUT-HEX
3217-8	NUT-HEX
3217-9	NUT-HH
32180-030	CLIP-TIE
3218-1	NUT-JAM
3218-13	NUT-JAM, BRASS
3218-18	NUT-JAM
3218-2	NUT-JAM
3218-3	NUT-JAM
3218-5	NUT-JAM
3218-7	NUT-JAM
3219-1	NUT-HEX
3219-10	NUT-HEX
3219-14	NUT-HEX
3219-2	NUT-HEX
3219-3	NUT-HEX
3219-5	NUT-HEX
3-2198	HOOK
3220-1	NUT-JAM
3220-12	NUT-HEX JAM LH
3220-16	NUT-HEX JAM, LH
3220-18	1-1/8-12 JAM NUT
3220-2	NUT-JAM
3220-20	NUT-JAM
3220-25	NUT-JAM
3220-26	NUT-JAM
3220-3	NUT-HJ

Part Number	Description
3220-5	NUT-JAM
3220-6	NUT-JAM
3220-7	NUT-JAM
3220-9	NUT-JAM
322-1	SCREW-HH
322-10	SCREW-HH
322-11	SCREW-HH
322-12	SCREW-HH
322-13	SCREW-HH
322-14	SCREW-HH
322-16	SCREW-HH
322-17	SCREW-HH
322-2	SCREW-HH
322-20	SCREW-HH
322-23	SCREW-HH
322-26	SCREW-HH
322-29	SCREW-HH
322-3	SCREW-HH
322-4	SCREW-HH
322-42	SCREW-HH
322-49	BOLT-HH
322-5	SCREW-HH
322-6	SCREW-HH
322-7	SCREW-HH
322-8	SCREW-HH
322-9	SCREW-HH
3229-1	SCREW-CARR
3229-11	SCREW-CARR
3229-2	SCREW-CARR
3229-20	SCREW-CARR
3229-34	SCREW-CARR
3230-1	BOLT-CARR
3230-2	BOLT-CARR
3230-22	SCREW-CARR
3230-23	SCREW-CARR
3230-26	SCREW-CARR
3230-30	SCREW-CARR
3230-5	BOLT-CARR
3230-6	BOLT-CARR
3230-7	BOLT-CARR
323-10	SCREW-HH
323-11	SCREW-HH
3231-2	BOLT-CARR
323-12	SCREW-HH
3231-21	SCREW-CARR
3231-22	SCREW-CARR
3231-25	BOLT-CARR
3231-27	SCREW-CARR
323-13	SCREW-HH
3231-33	SCREW-CARR
3231-4	SCREW-CARR
323-14	SCREW-HH
3231-5	SCREW-CARR
323-15	SCREW-HH
323-17	SCREW-HH
3231-9	SCREW-CARR
323-19	SCREW-HH
323-2	SCREW-HH
323-20	SCREW-HH
323-23	SCREW-HH

Part Number	Description	Part Number	Description
323-29	SCREW-HH	3250-13	SCREW-PPH
3233-26	SCREW-CARR, SHORT NECK	3250-17	SCREW-PPH
3233-34	SCREW-CARR	3250-36	SCREW-PPH
3233-34	SCREW-CARR	325-10	SCREW-HH
3233-4	SCREW-CARR	325-11	SCREW-HH
323-4	SCREW-HH	325-12	SCREW-HH
3234-1	SCREW-HHF	325-13	SCREW-HH
3234-11	SCREW-HHF	325-14	SCREW-HH
3234-12	SCREW-HHF	325-17	SCREW-HH
3234-13	SCREW-HHF	325-18	SCREW-HH
3234-14	SCREW-HHF	325-19	SCREW-HH
3234-17	SCREW-HHF	325-2	SCREW-HH
3234-18	SCREW-HHF	325-22	SCREW-HH
3234-19	SCREW-HHF	3252-4	10-24 X 3/4 FIL HD MS
3234-24	SCREW-HHF	325-3	SCREW-HH
3234-27	SCREW-HHF	3253-17	WASHER-LOCK
3234-29	SCREW-HHF	3253-21	WASHER-LOCK
3234-32	SCREW-HHF	3253-3	WASHER-LOCK
3234-33	SCREW-HHF	325-33	SCREW-HH
3234-34	SCREW-HHF	3253-4	WASHER-LOCK
3234-36	SCREW-HHF	3253-5	WASHER-LOCK
3234-38	SCREW-HHF	3253-6	WASHER-LOCK
3234-4	SCREW-HHF	3253-7	WASHER-LOCK
3234-42	SCREW-HHF	3253-8	WASHER-LOCK
3234-5	SCREW-HHF	325-4	SCREW-HH
3234-6	SCREW-HHF	3254-1	WASHER-LOCK, INT
3234-7	SCREW-HHF	3254-17	WASHER-LOCK
323-49	BOLT-TAP	3254-2	WASHER-LOCK, INTERNAL
323-5	SCREW-HH	3254-21	WASHER-LOCK/INT
323-50	BOLT-HH	3254-4	WASHER-LOCK/INT
323-52	SCREW-HH	3254-6	WASHER-LOCK, INTERNAL
323-53	SCREW-HH	3254-8	WASHER-LOCK
323-58	BOLT-TAP, HH	325-5	SCREW-HH
323-6	SCREW-HH	3255-16	WASHER-LOCK/EXT
323-7	SCREW-HH	3255-2	WASHER-LOCK, EXT
323-8	SCREW-HH	3255-7	WASHER-LOCK/EXT
323-9	SCREW-HH	3255-8	WASHER-LOCK
324-10	SCREW-HH	3255-9	WASHER-LOCK
324-13	SCREW-HH	325-6	SCREW-HH
3241-5	SCREW-SET	3256-1	WASHER-FLAT
3241-6	SCREW-SQH	3256-14	WASHER-FLAT
3241-7	SCREW-SQH	3256-15	WASHER-FLAT
324-19	SCREW-HH	3256-16	WASHER-FLAT
3242-1	SCREW-SQH	3256-2	WASHER-FLAT
3242-2	SCREW-SQH	3256-21	WASHER-FLAT
3242-4	SCREW-SET, SQH	3256-22	WASHER-FLAT
324-25	SCREW-HH	3256-23	WASHER-PLAIN
3242-9	5/16-18X1-3/4 SQ H SS	3256-24	WASHER-FLAT
3243-1	SCREW-SET	3256-25	WASHER-FLAT
3243-13	SCREW-SET, SQH	3256-26	WASHER-FLAT
324-5	SCREW-HH	3256-28	WASHER-FLAT
3245-1	SCREW-SET, HSH	3256-3	WASHER-FLAT
3245-35	SCREW-SET, HSH	3256-35	WASHER-FLAT
3245-42	SCREW-SET	3256-38	WASHER-FLAT
324-6	SCREW-HH	3256-4	WASHER-FLAT
3246-17	SETSCREW-HSH	3256-42	WASHER-FLAT
3246-2	SCREW-SET, HSH	3256-45	WASHER-FLAT
324-7	SCREW-HH	3256-46	WASHER-FLAT
324-8	SCREW-HH	3256-49	WASHER-PLAIN
3249-3	SCREW-PRH	3256-5	WASHER-FLAT

PARTS LIST

Part Number	Description
3256-51	WASHER-FLAT
3256-56	WASHER-FLAT
3256-6	WASHER-FLAT
3256-62	WASHER-FLAT
3256-67	WASHER
3256-69	WASHER-FLAT
3256-7	WASHER-FLAT
3256-74	WASHER-FLAT
3256-77	WASHER-FLAT
3256-78	WASHER-FLAT
3256-82	WASHER-FLAT
325-7	SCREW-HH
3257-3	KEY-WOODRUFF
3257-32	KEY-WOODRUFF
3257-33	KEY-WOODRUFF
3257-42	KEY-WOODRUFF
3257-5	KEY-WOODRUFF
325-8	SCREW-HH
3258-166	SCREW-PRH
325-9	SCREW-HH
3262-3	RIVET-BUTTON HEAD
3269-11	RIVET-POP
3269-15	RIVET-POP
3269-18	RIVET-BLIND
3269-23	RIVET-POP
3269-28	RIVET-POP
3269-3	RIVET-POP
3269-4	RIVET-POP
3269-8	RIVET-BLIND
327-14	SCREW-HH
327-15	SCREW-HH
327-17	SCREW-HH
3272-1	PIN-COTTER
3272-10	PIN-COTTER
3272-11	PIN-COTTER
3272-12	PIN-COTTER
3272-13	PIN-COTTER
3272-16	PIN-COTTER
3272-19	PIN-COTTER
3272-23	PIN-COTTER
3272-25	PIN-COTTER
3272-37	PIN-COTTER
3272-4	PIN-COTTER
327-24	SCREW-HH
327-25	SCREW-HH
3272-6	PIN-COTTER
3272-7	PIN-COTTER
3273-14	SCREW-HSH
3274-1	SCREW-HSH
3274-104	SCREW-HSBH
3274-105	SCREW-HSBH
3274-12	SCREW-HSH
3274-22	SCREW-HSH
3274-31	SCREW-HSBH
3274-39	SCREW-HSBH
3274-5	SCREW-HSH
3274-52	SCREW-HSH
3274-69	SCREW-HSBH
3274-7	SCREW-HSH
3274-74	SCREW-HSH

Part Number	Description
3274-80	SCREW-HH
3274-93	SCREW-HSH
3274-99	SCREW-HSH
327-7	SCREW-HH
3283-1	PIN-GROOVED
328-5	SCREW-HH
328-9	SCREW-HH
3289-4	SCREW-FH
3289-4	SCREW-FH
3290-125	SCREW-SET,HSH
3290-133	SCREW
3290-134	SCREW
3290-148	NUT-HF
3290-237	SLOT HD SCREW
3290-244	WASHER-LOCK
3290-271	RIVET-POP
3290-317	WASHER-SPRING
3290-321	SCREW-HWH
3290-343	PIN-HAIR
3290-355	PIN-HAIR
3290-357	NUT-HHF, WHIZ
3290-360	SCREW-HH
3290-378	TIE-CABLE
3290-379	TIE-CABLE
3290-382	RIVET-POP
3290-384	PIN-LYNCH
3290-440	WASHER-BELLEVILLE
3290-450	WASHER-BELLEVILLE
3290-455	WASHER-BELLEVILLE
3290-467	PIN-HAIR
3290-477	WASHER-CURVED
3290-485	WASHER-WAVE
3290-495	PIN-KLIK
3290-55	RIVET-POP
329-1	SCREW-HH
329-2	SCREW-HH
3295-46	RIVET
32-9610	ROLLER SHAFT
3296-12	NUT-LOCK, NI
3296-15	NUT-LOCK, NI
3296-16	NUT-LOCK, NI
3296-19	NUT-HEX
3296-2	NUT-LOCK, NI
3296-20	NUT-LOCK, NI
3296-20	NUT-LOCK, NI
3296-23	NUT-LOCK, NI
3296-25	NUT-LOCK, NI
3296-26	NUT-LOCK, NI
3296-28	NUT-LOCK, NI
3296-29	NUT-LOCK, NI
3296-33	NUT-LOCK, NI
3296-39	NUT-LOCK, NI
3296-4	NUT-LOCK
3296-42	NUT-LOCK, NI
3296-44	NUT-LOCK, NI
3296-45	NUT-HEX
3296-47	NUT-LOCK, NI
3296-48	NUT-HEX
3296-49	NUT-LOCK, NI
3296-5	NUT-HEX

Part Number	Description
3296-50	NUT-LOCK, NI
3296-51	NUT-LOCK, NI
3296-53	NUT-LOCK, NI
3296-56	NUT-LOCK, NI
3296-57	NUT-LOCK, NI
3296-6	NUT-LOCK
3296-60	NUT-LOCK, NI
3296-62	NUT-LOCK, NI
3296-67	NUT-LOCK, NI
3296-8	NUT-HEX
3296-9	NUT-HEX
33003-00	NUT-HF
33004-00	NUT-HF
33014-00	NUT-HEX
33023-00	NUT-LOCK
33024-00	NUT-LOCK, NI
33025-00	NUT-LOCK, NI
33026-00	NUT-HEX
33028-00	NUT-LOCK, NI
33-0630	BRUSH
33093-00	WASHER-FLAT
33094-00	WASHER-PLAIN
33096-00	WASHER-FLAT
33098-00	WASHER-FLAT
33-1000	SCRAPER BRUSH ASM
33103-012	SCREW-HHF
33103-016	SCREW-HHF
33103-020	SCREW-HHF
33103-040	SCREW-HHF
33103-045	SCREW-HHF
33104-016	SCREW-HHF
33104-020	SCREW-HHF
33104-025	SCREW-HHF
33104-030	SCREW-HHF
33104-040	SCREW-HHF
33105-025	SCREW-HHF
33105-030	SCREW-HHF
33106-090	SCREW-HHF
33113-008	SCREW-HH
33113-012	SCREW-HH
33113-016	SCREW-HH
33113-020	SCREW-HH
33113-025	SCREW-HH
33113-030	SCREW-HH
33114-010	SCREW-HH
33114-016	SCREW-HH
33114-020	SCREW-HH
33114-025	SCREW-HH
33114-030	SCREW-HH
33114-035	SCREW-HH
33114-040	SCREW-HH
33114-060	SCREW-HH
33115-016	SCREW-HH
33115-020	SCREW-HH
33115-025	SCREW-HH
33115-030	SCREW-HH
33115-050	SCREW-HH
33115-080	SCREW-HH
33115-090	SCREW-HH
33118-045	SCREW-HH

Part Number	Description
33118-140	SCREW-HH
33123-016	SCREW-CARR
33124-020	SCREW-CARR
33124-025	SCREW-CARR
33125-025	SCREW-CARR
33125-030	SCREW-CARR
33125-045	SCREW-CARR
33126-045	SCREW-CARR
33-3090	BUSHING
3334-945	TIE-CABLE
3-3891	FINGER-THROWOUT, LH
3-3892	BEARING-FINGER, THROWOUT
3-3904	FINGER-THROWOUT, RH
340-1	FITTING-STRAIGHT
3-4010	BUSHING ASM
340-101	FITTING-HYD, 45 DEG
340-103	FITTING-HYD, 45 DEG
340-105	FITTING-ELBOW, 90 DEG
340-109	FITTING-TEE
340-126	NUT-BULKHEAD
340-127	NUT-BULKHEAD
340-128	NUT-BULKHEAD
340-129	FITTING-ELBOW, 90 DEG
340-132	FITTING-ELBOW, 90 DEG
340-136	O-RING
340-138	FITTING-HYD, 45 DEG
340-139	FITTING-ELBOW 90
340-14	FITTING-HYD, 45 DEG
340-142	FITTING-ELBOW, 90 DEG
340-154	UNION-BULKHEAD
340-156	FITTING-ELBOW 45
340-157	FITTING-HYD, TEE
340-16	FITTING-HYD, 90 DEG
340-17	FITTING-ELBOW, 90 DEG
340-18	FITTING-HYD, 90 DEG
340-2	FITTING-STRAIGHT
340-3	FITTING-STRAIGHT
340-4	FITTING-STRAIGHT
340-6	FITTING-STRAIGHT
340-65	O-RING
340-68	FITTING-TEE, BULKHEAD
340-7	FITTING-STRAIGHT
340-70	NUT-LOCK
340-72	FITTING-BULKHEAD, 90 DEG
340-74	NUT-LOCK, BULKHEAD
340-77	FITTING-ELBOW, 90 DEG
340-78	NUT-LOCK
340-82	FITTING-ELBOW, 90 DEG
340-86	FITTING-TEE
340-87	FITTING-ELBOW, 45 DEG
340-88	FITTING-STRAIGHT
340-89	FITTING-HYD, 45 DEG
340-92	FITTING-STRAIGHT
340-98	FITTING-ELBOW, 90 DEG
3-4160	LH IDLER RING ASM
3-4170	RH IDLER RING ASM
3-4244	PULLEY-IDLER
353-212	FITTING-ELBOW, 45 DEG
353-384	FITTING-STRAIGHT
353-426	FITTING-90 DEG

PARTS LIST

Part Number	Description
353-427	FITTING-45 DEG
353-461	HYD MOTOR SEAL KIT
353-511	FITTING-HYD, 90 DEG
353-515	SEAL & RET KIT
353-550	PLUG-HYD, HH
353-564	FITTING-90 DEG
353-743	LOAD SEAL KIT
353-781	FITTING-HYD, 90
353-783	FITTING-STR
353-877	FITTING-HYD, TEE
353-949	O-RING
353-957	CUP-SEAL
353-979	FITTING-STR
353-987	FITTING-ELBOW, 90
353-988	PLUG-HEX
353-990	PLUG ASM
354-120	FITTING-ELBOW, 90
354-121	FITTING-STR
354-126	FITTING-ELBOW, 45
354-136	FITTING-STR
354-73	FITTING
354-78	FITTING-STR
354-79	CAP-DUST
360-0398	O-RING
361-1	APPLE RED SPRAY PAINT
361-10	TORO RED 12OZ AEROSOL CAN
36-1740	ROLLER-DECK
3-6498	WASHER-THRUST
3-6573	BEDKNIFE-SERVICE ONLY
3-6685	SPRING
36-7190	GRASS SHIELD ASM
36-7250	GM-3 GRASS BASKET
36-7260	BAR-OFF, CUT
36-7420	BEARING-BALL
3-6775	WASHER
3-6776	SPACER
3-6777	WASHER
3-6778	AXLE SLINGER
3-6781	WASHER-THRUST
37-2760-01	PIN-LIFT, BAIL
37-3490-01	BRACKET-DRAWBAR
3-7442	LOWER WASHER
3-7445	STUD-RING, RATCHET
37-6730	CUP-BEARING
37-8030-03	PUMP MOUNT
38-0410	NUT-HEX
38-3400	GUARD-RUBBER
3-8386	NUT-PINION, REEL
3-8448	WASHER-THRUST
3-8514	WASHER-THRUST
38-5250	PUMP-VALVE HOSE
38-7330	SHIELD WASHER
38-7420	BEDKNIFE, RM
38-7820	BEARING-BALL
3-9116	SHAFT-IDLER PINION, RH
3-9117	SHAFT-IDLER PINION, LH
3-9280-01	DRAWBAR
39-9590	ROLLER ASM
40-0340	SHAFT-ROLLER, REAR
40-0370-01	FRT CASTOR FRK WA

Part Number	Description
40-3760-03	BLADE-18"
40-6400	SHAFT-ROLLER
40998	SEAT-GASKET
40999	CLAMP
411024	BELT VARIATOR 520
41480	VALVE - 1 IN MOTORIZED CT
41679	BELT - DRIVE
41-9150	V-BELT, TORQUE TEAM
42-1910	PLATE WA
42-1940	RAKE PRONG
4-2219	REEL ASM
42-3560	BOLT-SHOULDER
42-4790-01	RH MOUNT WA
42-4800-01	SCRAPER ASM
42-9030	FILTER-OIL
42-9100	V-BELT, FAN
43-0090	SCREW-HH
43-1820	FUEL FILTER
43-2550	FILTER-PUMP
43-2830	NUT-HEX
43-3860	SHAFT-PIVOT, PTO
43-3990	CONTROL-THROTTLE
43-5910	FAN BELT
43-5930	WASHER-LOCK, SPRING
43-6810	SPIDER-TORQUE
44-0870	CAM SHAFT ASM
44-2200	SCREW-BLADE
44-2500	HYD OIL DYE (RED)
44-5480	BLADE-HIGH SAIL
44-5560	HEAD-FILTER, OIL
44-6250-03	BLADE-21.5 INCH
44-6260	V-BELT
44-6340	PULLEY AND HUB ASM
44-6370	SPINDLE ASM
44-8990	V-BELT
44955	MVP KIT 1000 HOUR - GR315
44957	MVP KIT 1000 HOUR - SANDP
44958	MVP KIT 1000 HOUR - GM590
44959	MVP KIT 1000 HOUR - RM5XX
44960	MVP KIT 1000 HOUR - RM561
44962	MVP KIT 1000 HOUR - GM35X
44963	MVP KIT, 1000 HR, GM35XX/
44964	MVP 1KHR - RM5410D/5510D/
44965	MVP KIT, 1000-HOUR, GM350
44966	MVP KIT 1000 HOUR - RM501
44967	MVP KIT 1000 HOUR - GM4XX
44968	MVP KIT 1000 HOUR - GR325
44969	MVP KIT 1000 HOUR - GR330
44970	MVP KIT 1000 HOUR - GR340
44971	GREENSMaster ETRIFLEX 400
44975	MVP KIT - HYD DECK HOSE (
4-5189-01	ROLLER AND END CAP ASM
46-0430	NUT-LOCK
46-6550	FITTING-ELBOW, 90 DEG
46-6560	BUSHING
46-7510	HOOD-INLET, AIR
46-8530	BEARING ASM
46-8560	SCREW-HHFTF
47-2380	KEY-SQUARE
47-2890	BUSHING

Part Number	Description	Part Number	Description
47-4060-01	COVER-CASE, GEAR ASM	51-0780	SLIDER-SEAT
47-4080-01	BEDBAR	51-0790	ADJUSTER-SEAT, LH
47-4250	SLEEVE-WEAR	5108	VALVE
47-4260	SLINGER-GRASS	51-0830	ADJ SHIELD
47-4300-01	HANDLE ASM	51-0840	PIVOT TUBE *R
47-4380	NUT-ROLLER ADJ, RH (MACHI	5-1090	DRAWBAR CLAMP -PLT
47-4390	NUT-ROLLER ADJ, LH (MACHI	5-1091	SPACER
47-4400	ARM-SPRING	5-1226	WASHER
47-4410	HOUSING-RETAINER	51-2550	TIRE (18X4-12) SEMI-PNEUM
47-4420	SPACER-SLEEVE, ADJUSTMENT	5-1382	FRONT ROLLER ASM
47-4430	BUSHING-FLANGED	5-1393	SHAFT-REEL
47-4440	WASHER-PLASTIC	51-4060	SCREW-BLADE
47-4450	BOLT-SHOULDER	5-1457	GEAR-WHEEL, DRIVE
47-4460	BOLT-SHOULDER, ECC	5-1460	COVER-PINION, REEL
47-4470	RETAINER-RATCHET RING, RH	5-1461	KNIFEBAR PIVOT
47-4480	RETAINER-RATCHET RING, LH	5-1463	PINION-REEL
47-4490	PINION-REEL	5-1464-03	HANDLE-RATCHET, THROWOUT
47-4510	SHAFT-ADJUSTING	5-1468-01	PNEU. WHEEL HUB
47-4530	RETAINER-DRAWBAR	5-1470	SCREW-HH
47-5320-01	LEVER	5-1706	SPRING-EXTENSION
47-5640	SPACER-RUBBER	52-1460	GRND.CABLE
47-6680	BEDKNIFE, RM (FAIRWAY)	52-2480	SPACER-WHEEL
47-7140	PULLEY-DRIVEN	52-2860	WASHER
47-7150	PULLEY-DRIVE	52-2890	BUSHING-NYLON
47-7160	BELT	52-2891	BUSHING-FLANGED, NYLON
47-7170	GASKET-COVER	52-2900	WASHER-PLASTIC
47-7510	WASHER-NYLON	52-2910	BOLT-ECCENTRIC
48-7430	PRECLEANER	52-2920	PIVOT-BEDBAR
48-8880	PIN-DOWEL	52-2930	BOLT-SHOULDER
48-9020	BOLT-SHOULDER	52-2980	S.P.A. PIVOT
48-9050	SHIELD-PLATE, DRIVE	52-2990	SPRING RET CAPSCREW
48-9071-01	COVER-DRIVE HOUSING, RH	52-3000	SPRING ARM
48-9081-01	COVER-DRIVE HOUSING, LH	52-3100	BOLT-HOC ECCENTRIC, LH
48-9220	WASHER-PLAIN	52-3110	BOLT-HOC SHOULDER, RH
48-9590	WASHER-LOCK	52-3120	ROLLER ASM
49-0390	SPACER	52-3170	FULL FRONT ROLLER ASM
49-2040	SCREW-HWHTF	52-3180	BEARING-ROLLER, FRONT
49-4100	SHAFT-AXLE, STUB	52-3200	WIEHLE ROLLER ASM
49-5430	ROD-CONTROL	5-2653	PULLEY ASM
49-5880	SHAFT-SUPPORT, SEAT	5-2673	AXLE SHAFT
49-5900	STEERING WHEEL ASM	5-2942	SHACKLE
49-5960	STEERING CABLE	5-3137	SPACER TUBE BUSHING
49-6020	THROTTLE CONTROL	5-3256	PNEUMATIC TIRE DISC
49-6110-01	GUARD-ROD, TRANSMISSION	5-3257	PNEUMATIC TIRE DISC
49-6120	PAD-FOOTREST	5-3820	OIL SEAL
49-6200-01	LEVER-CUTTING	5-3889	AXLE SPACER TUBE ASM *R
49-6220	BRACKET-ARM, CONTROL	53-9250	ROLLR SCRPR BRKT
49-6250	BRACKET-PIVOT	5-3934	BOLT-CASTER
49-6260	PIVOT ASM	53-9682	MOUNT-ENGINE
49-6290	PIVOT SHAFT ASM	54-0010-03	BLADE
49-6440-03	PEDAL-FORWARD	54-0110	FILTER-OIL, TRANSMISSION
49-7660	BEDKNIFE, RM	5-4038	WEAR SLEEVE
49-8320	BEARING ASM	5-4373	SPRING
5-0652	SPACER	5-4523	SLEEVE
5-0698	KEY	5-4527	WASHER-THRUST
5-0946	KEY-SQUARE	54-8810	10-INCH PNEUMATIC CASTOR
51-0350	PIN-SPRING, SEAT	54-8870	TIRE 8"(4-PLY)
51-0600	HOSE ASM	54-9180	U-JOINT KIT
51-0680	THROTTLE CONTROL	54-9510	MOTOR-HYD, WITH BY-PASS
51-0700	MUFFLER ASM	55-7660	V-BELT

PARTS LIST

Part Number	Description
560031W	ROLLER REAR W/A HARRIER 5
56-2140	SCREW-HH
56-2140	SCREW-HH
56-6220	BEARING
56-6230	BEARING-ROLLER
56-6360	FILTER-FUEL
56-7960	TIRE (11-15) 8-PLY
56-7970	CLAMP-TUBE
56-7971	CLAMP-TUBE
56-7972	CLAMP-TUBE
56-7973	CLAMP-TUBE
56-7976	CLAMP-TUBE
56-9510	BUSHING ASM
56-9520	BUSHING-FLANGED
57-0240	V-BELT
57-0260	SPINDLE ASM
57-0680	SHAFT-ROLLER
57-0690	PIN-SPECIAL
57-3210	SCREW
57-4940-01	BEDBAR
57-5190	SCREW-SET, HSH
57-5200	GRASS SHIELD ASM
57-5210	SHIELD FLAP
57-5270	SPRING-COMPRESSION
57-5280	BRG CUP & CONE RET
57-6140	CLAMP-TUBE, HALF
57-6220	LINK-CONNECTING
57-6390	NUT-JAM
57-7650	SPRING-TORSION
57-8580	FILTER
57-9340	SPARK PLUG
57-9910	PIVOT SCREW
58-3850	CABLE
58-4250	CATCH-MAGNETIC
58-5740	HOSE ASM
58-5750	HOSE ASM
58-5780	HOSE ASM
58-5790	HOSE ASM
59-2080	ROLLER CHAIN
59-2090	ROLLER CHAIN
59-2500-03	BLOCK
59-2580	SPACER-TUBULAR
59-3670	TINE-HOLLOW, 5/8 X 4.75
59-4200	V-BELT
59-5470-01	BEDBAR-5 AND 7 BLADE
59-5560	CAP-DUST
59-5570	ADJ PIN
59-5580-01	HANDLE ASM
59-5630	ROLLER ASM
59-5690	SLEEVE-WEAR
59-5770-01	HOUSING-ADJUSTMENT
59-5780	ROLLER BUSHING ASM
59-5820	NUT-CONE
59-5830-01	COVER-FRAME
59-5890	BEDKNIFE (FAIRWAY)
59-5910	CROSS AND BEARING (
59-6010-01	BRACKET-SKID, LH
59-6070-01	R/H SCRAPER BRKT
59-6080-01	L/H SCRAPER BRKT
59-6090	RM4000 REAR ROLLER SCRAPE

Part Number	Description
59-6140	BEARING
59-6150	WASHER-PULLEY
59-6190	CAPSCREW-SHAFT, REEL
59-6250-01	FRAME WA
59-6330	NUT
59-6340	SHOULDER BOLT
59-7410	FITTING-DIAGNOSTIC
59-7490	PLUG-FITTING, GREASE
59-8400	SEAL KIT
59-9740	FLEX DRAW LATCH ASM
60-5470	FILTER ELEMENT KIT
60-6500	SCREW-HH
6-1030	HOUSING
61-0380-01	CAP-END,ROLLER
61-0410	FULL ROLLER ASM
61-0420-01	SUPPORT-HOC
61-0790	SCREW-HH
61-0910	BRACKET-ANGLE
61-1010	BEDBAR PIVOT HSG WA
61-1210-01	BEDBAR
6-1130	LH ROLLER ADJ WASHER
61-1950	WASHER-PLASTIC
61-2670	WIRE ASM
61-2790	FILTER-SCREEN
61-3000	SHAFT
61-3260	REAR LIFT CABLE
61-3280	FLAP-RUBBER
61-3290	FLAP-RUBBER, MIDDLE
61-3380	BELT-V
61-3390	BELT
61-3400	V-BELT
61-3790	PLATE-HOC, FRONT
61-3800	PLATE-HOC, REAR
61-4160	HOUSING-SPINDLE
6-1600	SOLENOID
61-9390-01	STEERING DRUM
62-2130	CHOKE CONTROL
62-2170	WASHER-THRUST
62-2180	STEERING CABLE
62-2190	PLAIN WASHER
62-2390-01	BAR-LH LIFT ARM
62-2420-01	BAR ASM-LIFT, CTR ARM
62-2440	LIFT ARM ASM
62-2460	LIFT ARM ASM
62-2660	FOOT STEP PAD
62-4340	SPANNER
62-4420	WASHER
62-4480	ROD-ROLLER
62-4600	TINE-HOLLOW, 3/4 X 4.75
62-4610-03	BLOCK
62-5070	DECAL-WARNING
62-5510	BUSHING-RUBBER
62-5570	BEARING-ROLLER
62-5580	BEARING-OUTSIDE
62-6080	BOLT-SHOULDER
62-6110	BUSHING ASM
62-6130	WIEHLE ROLLER ASM
62-6390	FAN BELT
62-6470	DRIVE HSG RH (MACH) *R
62-6480-01	DRIVE HSG LH (MACH)

Part Number	Description
62-7120	WASHER
62-7700-03	BLADE-21"
62-7770	KEY-IGNITION
63-0070	SPACER
63-0080-03	BLADE
63-0960	REAR CASTOR SPACER
63-1510	V-BELT
63-1770	SPANNER
63-2290	WASHER-THRUST
63-3410	SCREW-SHOULDER
63-3850	HOSE ASM
63-3890	HOSE ASM
63-3930	HOSE ASM
63-3950	HOSE ASM
63-4020	TUBE-HYD
63-4030	TUBE-HYD
63-4050	FITTING-HYD
63-4080	FITTING-MANIFOLD
63-4480	TIRE
63-6240	V-BELT
63-7400	WASHER-REBOUND
63-7790	SCREW-CAP
63-8300	ELEMENT-SPIN ON
63-8360	KEY-IGNITION
63-8400	CASTER WHEEL ASM
63-8410	WASHER
63-8580	BEARING-ROLLER
63-8610	BEDKNIFE-FAIRWAY (21IN)
63-8750	PIN-PIVOT
63-9510	BUSHING
63-9750	MOUNT
65-5940	PULLEY-IDLER
65-5950	BUSHING-PULLEY
65-6200	BELT
65-6210	BELT
65-6450	BRACKET-LH
65-6460	BRACKET-RH
65-6520	SPACER
65-6530	SPACER
65-7270	V-BELT (MATCHED SET)
65-7910	SPACER
65-7940	TIRE
65-8360-01	SCRAPER-SMOOTH
65-8570	ROD-MOUNTING
65-8600	KNOB-ADJUSTMENT, HEIGHT
65-8640	HOUSING-BEARING
65-8640	HOUSING-BEARING
65-8770	BUSHING-BELLCRANK
6590003	O-RING
65-9080	BELT
65-9500	ROLLER ADJ SCREW
65-9700	BELT-DRIVE
65-9940	SPRING
65-9940	SPRING
66-0561	SCREW-SHOULDER
66-2630	LATCH-SEAT
66-2950	GAUGE-HOURLMETER
66-4070	V-BELT
66-4270	SPRING-EXTENSION
66-4340	V_BELT

Part Number	Description
66-5620	WASHER
66-5640	SHAFT
66-5650	SHAFT
66-7220	ARM-SPRING
66-7230	SPRING-COMPRESSION
66-7240	SCREW-PIVOT
66-8010	SPACER
66-8800	RELAY
66-9140	TINE-HOLLOW, 1/2 X 4.75
66-9302	SCREW-HHF, WHIZ
67-1750	BUSHING
67-1751	BUSHING
67-4410	V-BELT
67-4630	ALTERNATOR ASSEMBLY
67-5770	WASHER
67-5840	NUT-JAM
67-6920	V-BELT
67-7561	CUP-SCALP, ANTI
67-7960	DECAL-DANGER
67-8110	CARTRIDGE-FILTER, OIL
67-8510	V-BELT, FAN
67-9100	GASKET
67-9410	WASHER
68-3270	BUMPER-RUBBER
68-5260	MANIFOLD-TEE
68-5310	CLIP-ROD, PROP
68-5380	CENTER LIFT ARM ASM
68-5560	PIN-CYLINDER, PIVOT
68-5880	HOSE-HYD
68-6150	BREATHER
68-6710	ROLLER
68-6840	SHAFT-ROLLER
68-7530	BUSHING
68-8900-01	FRONT CASTOR FORK ASM
68-8920	FEMALE WHEEL HALF
68-8930	MALE WHEEL HALF
68-8940	HUB-CENTER
68-8950	TUBE-INNER (W/VALVE)
68-8960	TIRE
68-8970	TIRE AND BEARING ASM
68-8980	SPANNER-TIRE
68-8990	HEAD-FILTER
68-9400	NUT-FLANGE
68-9930	THROTTLE CONTROL
68-9970	GUARD-SEAL
69-1510	SPACER
69-1530	HOUSING-SPINDLE
69-1720	ELEMENT-FILTER
69-2980	SEAL
69-4320	FITTING-HYD, 90 DEG
69-5430-03	PULLEY-IDLER, FLAT
69-6270-01	FORK - CASTOR
69-6470	BUSHING-CASTER
69-6860	WASHER-THRUST
69-6920-03	BLADE-20 IN.
69-6950	SPACER-SHAFT, SPINDLE
69-8390	SPINDLE PULLEY ASSEMBLY
69-8400	SPINDLE ASM
69-8890	CAP-SPINDLE
69-8930	WASHER

PARTS LIST

Part Number	Description
69-8960	SPACER
69-8980	WASHER
69-9010	WASHER
69-9290	PAD-BUMPER
69-9760	PLATE-COVER
69-9800	TIRE (31X13.5-15) 8-PLY
69-9880	TIRE (23X10.5-12) 6-PLY
700083	FLANGETTE-BEARING
700382	RIVET
7-0081	WASHER-FLAT
70-1170	BLADE-VERTIREEL
70-1200-01	FRAME-REEL ASM
70-1350	SPACER-PLASTIC
70-1820	CASTOR WHEEL
70-4790	FILTER
70-7130	LINE-TUBE
70-8040	WASHER
70-8370	BOLT
70-8500	TIRE-SMOOTH, 4-PLY
70-9840	SHOE-BRAKE
70-9870	PLATE-BACKING
70-9880	SPRING-RETURN
70-9940	HYDRAULIC HOSE ASM
70-9950	HYDRAULIC HOSE ASM
70-9960	HYDRAULIC HOSE ASM
71-0940	7/8" TINE
71-1360	BEARING
71-1550	WIEHLE ROLLER ASM (21IN,
71-2530	BEARING/SPACER KIT
71-3590	NUT-ADJUSTMENT
71-3690	SPADE-BENT
71-4410	SPACER
71-4411	SPACER
71-4540	WASHER-THRUST
71-4740-03	RH TIE ROD END ASM
71-5960	FUEL FILTER
72-0380	HEX-KNOB
72-0390	ROD-ADJUSTING
72-0410	STAND-OFF
72-0420	CLAMP-TUBE
72-0430	BUSHING-FLANGE
72-0440	PIN-ADJ
72-0450-01	BRACKET-RH
72-0460-01	BRACKET-LH
72-0470-01	GUARD
72-3760	V-BELT
72-4640-03	LH TURF GUARD ASM
72-4660-03	RH TURF GUARD ASM
72-4680-03	CENTER TURF GUARD ASM
72-9361	CUP-SCALP, ANTI
72-9390	BELT-SEAT
72-9710	HUB-TIRE
74-0340	CUSHION-RUBBER
7-4150	WASHER
74-1810	WASHER
74-3570	FILTER
74-3650	FAN
74-3730	SPACER-SPINDLE, REAR
74-5560	TIRE (20X8-10) 6-PLY
74-5950	LATCH-SWELL

Part Number	Description
74-8830	BELT-TIMING
74-9100	PAD-PEDAL, FORWARD
74-9110	PAD-PEDAL, REVERSE
75-0240	O-RING
75-0560	STEERING WHEEL ASM
75-0770	HYD CYLINDER
75-1040	COOLER-OIL
75-1290	BEARING-ROLLER
75-1310	FILTER-HYD
75-1370	CABLE-BATTERY, POSITIVE
75-1520	WIEHLE ROLLER ASM
75-1560-01	REAR DEFLECTOR WA
75-1610-01	ADJUSTMENT-HOC, RH
75-1620-01	ADJUSTMENT ASM-HOC, LH
75-1710	SUPPORT
75-1720	FLAP-SHIELD, REAR
75-1740	SCRAPER SPRING
75-1750-01	REAR SCRAPER WA
75-1840	FRONT GRASS SHIELD ASM
75-1960-01	BRACKET-HOC, RH FRONT
75-1980-01	BRACKET-HOC, LH FRONT
75-2160	BUSHING
75-4040-03	PLATE-BASKET, LH
75-4050-03	PLATE-BASKET, RH
75-5270	SPACER-KNOB, SEAT
75-5470	SPACER-BEARING
75-5890	HOSE
75-5900	HOSE
75-5910	HOSE
75-6070	HOSE
75-6080	HOSE ASM
75-6180	HOSE
75-6200	HOSE
75-6230	HOSE
75-6340	FILTER, IN-LINE
75-6820	HOURLMETER
75-7570	KEY
75-7580-01	COVER-PLATE, RH
75-7590-01	COVER-DRIVE HOUSING, LH
75-7680-01	DEFLECTOR-GRASS ASM
75-7730	WASHER-THRUST
75-8100	COVER
75-9440	HUB ASM
75-9590	SPACER-CYLINDER
75-9670-01	FORK-CASTOR
75-9680-01	FORK-CASTOR
75-9831	HYD MOTOR ASM
75-9840	HYD MOTOR ASM
75-9990	HYD MOTOR ASM
76-0410	SPRING-COMPRESSION
76-0510	SLIDE - SEAT ADJ RH
76-0520	LATCH & SLIDE-SEAT ADJ
76-0800	SEAL KIT
76-0850	BEARING-THRUST
76-2460	BEARING ASM
76-2970	BUSHING-STRAIGHT
76-2980	WASHER-THRUST
76-3580	SPACER-BEDBAR AND SIDEPLA
76-3600-01	END PLATE-LH
76-3610-01	END PLATE

Part Number	Description	Part Number	Description
76-3620	BEDKNIFE (FAIRWAY)	83-0200-01	PLATE-COVER, LH
76-4660	SPRING-DOOR	83-0540-01	TRACTION PEDAL ASM
76-5050	ALTERNATOR	83-0580	ROD-CONTROL, TRACTION
76-5220	ELEMENT-FILTER	83-0630	ARM-PIVOT, TRACTION
76-8170	HOSE ASSY	83-0640-01	PLATE-FOOTREST
76-8640	STUD-TRACTION	83-0700-03	HANDLE-LOCKUP
77-0300-01	HANDLE ASM	83-0730	SPACER-LOCKUP
77-0330	HOUSING-PIVOT	83-0740	DISC-FRICTION
77-0350	WASHER-THRUST, NYLON	83-0750	CAPSCREW-HH, LH THREAD
77-0560	NUT - SPLINED	83-0760	SPACER-PLATE, LOCKUP
77-1060	ADJUST-HOC, RH	83-0810	COVER-STEERING
77-1080	ADJUST-HOC, LH	83-0820	GAUGE - AMMETER
77-4340-01	BEDBAR-11 BLADE	83-0830-01	PANEL-CONTROL, UPPER
77-4810	BLOCK-DEFLECTOR	83-0840-01	SHIELD-COVER, VALVE
77-5080-01	DRAG-SWIVEL	83-0870	FITTING-HOSE, BARBED
77-5320	TINE-SOLID, 5/16 X 3.25	83-0910	HOSE-INLET, PUMP
77-5340	1/4" SPIKER TINE	83-1031	MOUNT-ENGINE
77-6710-03	BLADE (21.5IN)	83-1040	WASHER-FLAT
77-7330	PLUG-SPARK	83-1050	SPACER
80-1210	BLOCK-MOUNTING	83-1060-0P	PUMP MOUNT - MACH. *B
80-1300	BOLT-SHOULDER	83-1150	ENGINE GROUND WIRE ASM
80-1460	ROD-SPRING	83-1200	TUBE-TRACTION, LH (LOWER)
80-1470	SPRING	83-1220	PLATE-CLAMP
80-1680	L/H PIVOT BRKT & BSHG	83-1270	SEAT SUPPORT ASM
80-1690	R/H PIVOT BRKT & BSHG	83-1350	HOSE-HYD
80-1860-03	HANDLE UPRIGHT ASM	83-1360	HOSE-HYD
80-1890	SPACER	83-1390	VALVE-SHUT-OFF, FUEL
80-2040	HOOK	83-1420	COLUMN-STEERING
80-2050	BOLT-SHOULDER	83-1430	HOSE-LINE, RETURN
80-6990	WASHER-HARDENED	83-1630-03	BRACKET-SUPPORT, MUFFLER
80-7342	HOSE-HYD	83-1670	FITTING ASM
80-8650	COUPLING-DRIVE	83-1680	HOSE-HYD
80-9330	AUDIO ALARM ASM	83-1690	HOSE-HYD
80-9330	AUDIO ALARM ASM	83-1700	BUSHING-FLANGE
80-9590	FILTER-WATER	83-1840-01	COVER-VALVE, RH
8-1750	SPRING ARM	83-1890	SWITCH-BALL
82-0660	ELEMENT-AIR CLEANER	83-2280	TIMER-DELAY
82-2190	SWITCH-BAIL	83-2310	SHIELD-REGULATOR
82-3070-03	BLADE-9", THATCHER, 6PT	83-2380	SEAL REPAIR KIT
8-2490	SPHERICAL WASHER	83-2420	POSITIVE CABLE ASM
82-4910	ROLLER	83-2590	BOLT-SHOULDER, PIVOT
8-2530	COMB	83-4720-01	SPRING-TORSION, RH
8-2570	THRUST BEARING	83-4730-01	SPRING-TORSION, LH
82-6510-01	SUPPORT-HOC, RH	83-4740	BEARING
82-6530-01	SUPPORT-HOC, LH	83-5400	RM5000 FRT WIEHLE SCRAPER
82-6570	SHAFT-REEL	83-6950-01	R/H SCRAPER BRKT WA
82-6600	SPACER (0.73 INCH)	83-7000	HYD CYLINDER ASM
82-6630-01	BRACKET ASM-HOC, RH	83-8590	CABLE - LIFT
82-6650-01	BRACKET ASM-HOC, LH	83-9020	V-BELT
82-6740	REAR SCRAPER ASM	83-9310	RH BRAKE LEVER ASM
82-6780-01	DEFLECTOR-REAR	8-3980	SHAFT-ROLLER
82-6820	SPACER	8-3990	REAR ROLLER ASM
82-6830-01	BRACKET-SCRAPER	84-0560	O-RING
82-9390	NUT-SPECIAL	84-0810-01	SKID-CASTING, LH
83-0020	SWITCH-IGNITION	84-0820-01	SKID-CASTING, RH
83-0030	CONTROL-THROTTLE	84-1990	ROD-ADJUSTING
83-0040	CONTROL-CHOKE	84-2000-0P	BRACKET-BRAKE
83-0080	SPRING-PIVOT, LIFT	84-2190	SECTION SEAL KIT
83-0160	SHAFT-BRAKE	84-2230-03	PIVOT ASM
83-0190-01	COVER-RH	84-2280-03	RAKE-FINISHING

PARTS LIST

Part Number	Description
84-2350	SPACER-LONG
84-2420-03	LIFT ARM ASM
84-2450	CHAIN-STRAIGHT, 4-LINK
84-2451	CHAIN-STRAIGHT, 5 LINK
84-2452	CHAIN-14 LINK, STRAIGHT
84-2453	CHAIN-LINK, 16
84-2460-03	BLADE ASM
84-2550-03	TROWEL-SMOOTH
84-2620-03	ANGLE ASM
84-2680-03	HANGER ASM
84-5300	NUT-JAM
84-5370	SPINDLE
84-6070	SHAFT-ROLLER
84-6080	WIEHLE ROLLER ASM
84-6090	BOLT-SHOULDER
84-6160	COLLAR AND BUSHING ASM
84-6180	FRONT ROLLER ASSEMBLY
84-8200	SEAL-OIL
84-8290	HYD CYLINDER ASSY
84-8600	SET-SHOES, LINED
85-0160-03	18 DEG SWEEP ASM
85-0290	SPACER-PIVOT, SEAT
85-0310-03	HANGER ASM
85-4650	CONNECTOR
85-4930	FILTER - OIL
85-4940	HOSE-HYD
85-5760	8-INCH CASTOR WHEEL ASM
85-6010	SHAFT-SPINDLE
85-6040-03	BLADE-25.18 INCH
85-6540	STUD-DRIVE
85-6610	SHAFT-STEERING
85-7190	WASHER-SHIELD
85-7220	REAR ROLLER ASM - 2"
85-8030	CHAIN
85-8120-03	PLATE-MOUNT, ENGINE
85-8290	TIRE-2PLY, KNOBBY
85-8360	GASKET-RING
85-8460	SWITCH ARM ASM
85-8730	HUB-ENGINE
85-8770	COUPLING
85-8940	FLANGETTE-RELUBE
85-8950	FLANGETTE-STANDARD
85-8960	SPACER
85-9020	KEY-SQUARE
85-9030	SPRING-EXTENSION
85-9120	SPACER-PIVOT, TILT
85-9150	PLATE-SWITCH
85-9180	SPROCKET-STEERING
85-9200	KNUCKLE-STEERING
85-9550	RUBBER CLAMP ASM
85-9670	NUT-T
85-9970	BEARING-BALL
86-0010-03	BLADE-19"
86-1960	V-BELT
86-1970	V-BELT
86-2090	BUSHING
86-2090	BUSHING
86-2120	ROLLER-LOCK
86-3010	FILTER-OIL
86-5350	BUMPER-RUBBER

Part Number	Description
86-5360	SEAL REPAIR KIT
86-5390	SEAL KIT
86-5910	TIRE-6 PLY
86-6110	FILTER-HYDRAULIC
86-6560	WASHER-THRUST
86-7330	SEAL KIT
86-7450	CABLE-GROUND
86-7610-03	MOUNT-SEAT
86-7640-01	BOX-LITTER
86-8100-01	BALL JOINT ASM
86-8101-03	LH BALL JOINT ASM
86-8630	FILTER-WATER
86-9100	FILTER ASM
86-9120	TRAPPER-SEDIMENT
86-9140	SCREEN-MESH, 100
86-9720	TINE-HOLLOW, 3/4 X 5.75
86-9810-01	L/H PULL FRAME ASM
87-1430	JOINT-BALL
87-1490	SPRING-LEAF, REAR
87-1970	BEARING-MATCHED SET
87-2310	CLEVIS-CABLE
87-2310	CLEVIS-CABLE
87-2720-03	SHAFT-MASK
87-3200	V-BELT
87-3210	V-BELT
87-3290	TIRE (23X10.5-12) 4-PLY T
87-3470	BUMPER
87-3770	BUSHING-HOUSING, BELL
87-3920	BUSHING
87-4020	SPRING-EXTENSION
87-4260	CABLE-SELECTOR, GEAR
87-4760	BUSHING-RUBBER
87-5100	WASHER-SNUBBING
87-6630	WASHER-PLAIN
87-7270	WASHER-THRUST
87-7480	WASHER
87-8170	FITTING-90
87-8370	V-BELT
87-8640	WASHER-FLAT
87-9400	VALVE-VACUATOR
88-6330	SPRING-EXTENSION
88-6790	WIDE WIEHLE ROLLER ASM (.
88-6830	SPACER-FRAME, CARRIER
88-6870	EXTENSION-ARM, PULL
88-7200	WASHER-FLAT
88-7580	SHAFT-WHEEL, TRANSPORT (L
88-7590	SHAFT-WHEEL, TRANSPORT (R
88-7840	PULLEY AND DRIVE ASM
88-7880	BEARING
88-8350	TAB-BEARING
88-8440-03	PLATE-TIPPER
88-8450	PRONG
88-8480	BRACKET-PIVOT
88-8990	BEDKNIFE-MACHINED
88-9000	BEDKNIFE-TOURNAMENT
88-9630-01	BRACKET-LIFT PIVOT, RH
88-9640-01	BRACKET-LIFT PIVOT, LH
88-9700	HOSE-HYD
92-0527	CARTRIDGE-CLEANER, AIR
92-0530	ELEMENT-FILTER

Part Number	Description
92-1233	PIN-CLEVIS
92-1298	PIN-LYNCH
92-1655	10-INCH CASTOR WHEEL ASM
92-1705	FILTER-SCREEN
92-1715	SPACER
92-1719	HOSE ASM
92-1726	HOSE ASM
92-1727	HOSE ASM
92-1765	WASHER-THRUST
92-1815	SHAFT-C.U. PIVOT
92-1846	WIEHLE ROLLER ASM
92-2025	ALTERNATOR ASSY
92-2041	V-BELT
92-2153	PLUG-SPARK
92-2308-03	RH ARM ASM
92-2311-03	LH BRACKET ASM
92-2312-03	RH BRACKET ASM
92-2313-03	ARM-LIFT
92-2314	HANDLE
92-2315	BOLT-SHOULDER
92-2318-03	LH PLATE ASM
92-2319-03	RH PLATE ASM
92-2320	LEVER-LATCH
92-2323	PIN
92-2324	BRACKET-PIVOT
92-2325-03	LH BRACKET ASM
92-2326-03	RH BRACKET ASM
92-2343-01	PEDAL ASM
92-2344	TRUNNION
92-2379	CLAMP-HOSE
92-2538	MODULE-TIMER
92-2546	WIPER-SEAL
92-2601	RING-RETAINING
92-2739	PIN-CLEVIS
92-2762	PIN-HAIR
92-3086	ROD - SCRAPER
92-3087	BRACKET - SCRAPER
92-3187	V-BELT(3VX,37.00")3=1 MAT
92-3814	CHARCOAL AIR FILTER
92-4187	CROSS AND BEARING KIT
92-4284	SPACER-FLAIL PIVOT
92-4285	BLADE-FLAIL
92-5018-03	CLAMP-BATTERY
92-5035	STEERING POST ASM
92-5039	CHAIN-STEERING
92-5578-01	FORK-CASTOR, REAR ASM
92-5581	RING-RTNG,SNAP,INT,FLAT
92-5581	RING-RTNG,SNAP,INT,FLAT
92-5583	WASHER-CAP
92-5584	SPRING-COMPRESSION
92-5584	SPRING-COMPRESSION
92-5588	V-BELT
92-5604	SPINDLE SHAFT ASM
92-5606	SPACER-SPINDLE
92-5607	PULLEY AND HUB ASM
92-5608-03	BLADE
92-5694	HOSE-HYDRAULIC
92-5694	HOSE-HYDRAULIC
92-5816	BOLT-BLADE
92-5821	HEAD-FILTER

Part Number	Description
92-6282	SWITCH-SEAT
92-7160	CLIP
92-7179-01	PLATE-STOP, FORK
92-7186	TANK-FUEL
92-7302	NUT-LOCK, BEARING
92-7305	SPRING-EXTENSION
92-7534	HOSE-HYD
92-7536	HOSE-HYD
92-7538	HOSE ASM
92-7539	HOSE-HYD
92-7559	HYD HOSE ASM
92-7560	HYD HOSE ASM
92-7595	HOSE-HYD
92-7638	HOSE ASM
92-7750-01	FORK-CASTOR
92-7768	SPRING-COMPRESSION
92-7900	TINE-SIDE EJECT, 3/4 X 5.
92-8690	STEERING CONTROL VALVE AS
92-8861	CAP-HOC
92-8862	HOC CAP ASM
92-8863	REPAIR KIT
92-8866	SPACER
92-8934	SPRING-EXTENSION
92-8972	CLAMP-SEAT
92-8973	ANGLE
92-8981	LIFT LEVER ASM
92-8983	PIVOT
92-8990	ADJUSTER-SLAVE
92-8991	ADJUSTER (W/LATCH)
92-8995	BUSHING
92-8997	COOLER-OIL
92-9165	SEAL
92-9167	CLUTCH-ROLLER
92-9199	MOTOR-WHEEL, HYD
92-9218	BELT-V, MATCHED SET
92-9231	SPRING-COMPRESSION
92-9250	SEAL-GREASE
92-9251	SLEEVE-WEAR
92-9252	BUSHING-FLANGE
92-9545	O-RING KIT
92-9657	COUPLING-QUICK DISCONNECT
92-9658	COUPLING-NOSE
92-9659	COUPLING-QUICK, BODY
92-9726	SPRING-COMPRESSION
92-9727	HOC CAP ASM
92-9749	SEAL KIT
92-9767	HOSE
92-9785	V-BELT
93-0181	TIRE (11-14) 8 PLY
93-0183	BELT-V, IMPELLER
93-0307	NUT-LOCK, RETAINER
93-0309	WASHER-TAB
93-1122	DECAL-DANGER
93-1251	SEAL-INNER
93-1252	SEAL-OUTER
93-1256	SHAFT - REAR ROLLER
93-1394	NUT-SPLINE
93-1414	SEAL-GREASE
93-2018	HOSE-RADIATOR
93-2075-01	BRAKE PEDAL ASM

PARTS LIST

Part Number	Description
93-2090	FAN-ENGINE
93-2092	CLAMP-CABLE
93-2096	LEVER-BRAKE
93-2190	AIR CLEANER ASM
93-2191	AIR CLEANER MOUNTING BAND
93-2242	OIL FILTER ASM
93-2254	HYD HOSE ASM
93-2255	HYD HOSE ASM
93-2256	HYD HOSE ASM
93-2258	HYD HOSE ASM
93-2264	HOSE ASM
93-2270	HYD HOSE ASM
93-2279	CLAMP-CABLE
93-2322	CONTROL-THROTTLE (DIESEL)
93-2329	CONTROL- CHOKE
93-2368	BUSHING-FLANGE
93-2384	SPACER-CARRIER
93-2454	NUT-LOCK, TAPERED
93-2463	ROLLER-LIFT
93-2464	SPACER-ROLLER
93-2466	SHAFT-ROLLER
93-2470	SHAFT - ROLLER
93-2489	BEARING
93-2511-01	BEDBAR
93-2516	SPRING - COMPRESSION
93-2518	HOUSING-PIVOT
93-2522	ARM-SPRING
93-2525	RING-RETAINING
93-2545	SCREW-PIVOT
93-2549	NUT-ADJUSTER
93-2550	ADJUSTOR ASM
93-2551	SEAL-BASKET
93-2559	BEARING-BALL
93-2562	SPRING-COMPRESSION
93-2569	SCREW-HHF
93-2576-01	BEDBAR
93-2877	BUSHING
93-2887	SHAFT-ROLLER, FRONT
93-2891	BUSHING-PLASTIC
93-2892	PIVOT-BEDBAR, MANUAL ADJ
93-2904-01	BRKT.-HOC, REAR (MACH)
93-2906	PIN - HOC
93-2921	SPRING - COMPRESSION
93-2931	WASHER-ROLLER
93-2959	SPACER-ADJUSTER
93-2981-01	SIDEPLATE-RH, WELDED
93-2998-01	SHIELD - RH
93-3007	SEAL-OIL
93-3038-03	BLADE-DETHATCHER
93-3080-03	HOUSING, END CAP
93-3102	CAP-FUEL
93-3149	TRACTION PEDAL KIT-GM3XX
93-3577	ALTERNATOR ASSY
93-4034	V-BELT
93-4132	O-RING
93-4133	SEAL-LIP
93-4239	RIM-WHEEL, HALF
93-4240	10 INCH WHEEL ASM
93-4241	SPACER-BEARING, INNER
93-4242	PLATE

Part Number	Description
93-4243	TIRE
93-4244	TUBE-INNER (W/VALVE)
93-4262	BEDKNIFE-MICROCUT (21IN G
93-4263	BEDKNIFE-TOURNAMENT CUT (
93-4264	BEDKNIFE-LOW CUT (21IN GR
93-4510	BUSHING-CASTER
93-4582	SHAFT-CASTOR
93-4583-03	MOUNT-JOINT, BALL
93-4628	WASHER
93-4632	WASHER-WAVEY
93-4696	PIN-HITCH
93-4747	WHEEL-GAGE
93-4764	SPANNER-WHEEL
93-4803	ROLLER-DECK
93-4806	BOLT/AXLE-WHEEL
93-4824	FORK-CASTOR
93-4825	KIT-SPACER & BEARING
93-4838	V-BELT, HEX
93-4839	V-BELT
93-4982	BLADE-COMBINATION
93-5023	SPACER
93-5265	MOUNT-ENGINE
93-5268	NUT-LUG
93-5385	HOSE ASM
93-5547	BUSHING-NYLON
93-5630	SPACER-BEARING, INNER
93-5957	CAP-RADIATOR
93-5961	BOOT-LEVER
93-5973	10IN FOAM FILLED WHEEL AS
93-5974	8 INCH FOAM FILLED WHEEL
93-5980	HUB
93-5988	HUB-PIVOT
93-6048	BRACKET-HOC, RH
93-6049	BRACKET-HOC, LH
93-6051	SCREW-HOC
93-6053-01	BEDBAR-STANDARD
93-6069	GRASS SHIELD ASM
93-6090	ARM-HOC
93-6212	FELT FILTER
93-6587	BEARING
93-6689	DECAL-NO RIDERS
93-6696	DECAL-WARNING
93-6789	HOSE-HYD
93-6790	HOSE-HYD
93-6838-03	HUB-WHEEL
93-6840	V-BELT
93-6841	PULLEY
93-6842	BUSHING-LOCK, TAPER
93-6850	LEVER-BRAKE
93-6855	HSG. WA - BEDBAR ADJ
93-6857	HOSE-SUCTION
93-6887	HOSE-HYD
93-6960	COVER-HOLDER, BEARING
93-6981	SPACER
93-7128	DRUM-BRAKE
93-7140	V-BELT-PUMP
93-7160	CAP-OIL, HYD
93-7486	CLAMP ASM
93-7498	PLUG-PLASTIC
93-7500	SPECIAL METRIC CAPSCR M10

Part Number	Description
93-7501	BUSHING ASM
93-7502	BUSHING-FLANGED
93-7510	RING-QUAD
93-7522	SCREW-HH
93-7629	PAD-FOOT, BRAKE
93-7630	PAD-FOOT
93-7631	PAD-FOOT, LIFT
93-7769	ROD-SUPPORT, FRAME
93-7775	BEARING-BALL
93-7818	DECAL-TORQUE, BLADE BOLT
93-8062	DECAL-BRAKE, PARKING
93-8063	DECAL-CAUTION, CE
93-8065	DECAL-TRACTION
93-8075	DECAL-MOW/LIFT
93-8409	BLADE - 22"
93-8457	V BELT-HEX
93-8552	RECOIL STARTER ASM
93-8552	RECOIL STARTER ASM
93-8584	SPARK PLUG
93-8626	SCREW ASM
93-8636	ELEMENT-FILTER, AIR
93-8637	ELEMENT-FILTER, AIR
93-8684	FILTER-FUEL
93-8806	WASHER-HARDENED
93-8823	COUPLER-MOTOR, REEL
93-8825	COUPLER-REEL, RH THREAD
93-8826	COUPLER-REEL, LH THREAD
93-8827	COUPLER-SPIDER
93-8849	REAR GRASS SHIELD ASM
93-9014	PIN-CLUTCH, ACTUATOR
93-9014	PIN-CLUTCH, ACTUATOR
93-9015	BEDKNIFE-LOWCUT
93-9017	ROD-BASKET, RH
93-9018	ROD-BASKET, LH
93-9039	WIEHLE ROLLER ASM (26IN)
93-9043	WASHER-SPRING, BELLEVILLE
93-9045	LONG WIEHLE ROLLER ASM (2
93-9049-01	BEDBAR
93-9051	DECAL-BOLT, ECCENTRIC
93-9052	DECAL-DANGER
93-9078	DECAL-SAFETY
93-9151	FITTING-HYD
93-9164	INDICATOR-MINI
93-9774	BEDKNIFE (FAIRWAY)
93-9783	O-RING
93-9793	RING - SEAL
93-9794	RH BEARING HOUSING ASM
93-9795	LH BEARING HOUSING ASM
93-9879	DECAL-WARNING
93-9898	DECAL-LOCK
93-9901-01	BRACKET-LOCKOUT, MOW
93-9903	PIN-MOW, LOCKOUT
93-9904	ARM-MOW, LOCKOUT
93-9934	TRACTION HANDLE ASM
93-9936	BRACKET-RETURN, TRACTION
93-9937	TRACTION CABLE ASM
93-9938	WHEEL ASM
93-9939	TIRE
93-9999	SWITCH-PTO
94-0694	PREMIUM ROLLER ASM - 2 1/

Part Number	Description
94-0695	TUBE ASM - REAR ROLLER
94-1291	BUSHING
94-1304	CABLE-LOCK, NEUTRAL
94-1328	HOSE ASM
94-1369	SPRING-EXTENSION
94-1371	SPACER
94-1374	TRUNNION-BRACKET, MOW
94-1375	TRUNNION-BRACKET, LOCK
94-1378	TUBE-PIVOT, HANDLE
94-1382	COLLAR - HOC
94-1383	PEDAL-PIVOT
94-1386	SHAFT-PEDAL
94-1392	PAD-RUBBER
94-1392	PAD-RUBBER
94-1410	HOLDER-CAN, BEVERAGE
94-1410	HOLDER-CAN, BEVERAGE
94-1433	HYD HOSE ASM
94-1861-03	BLADE-24.75IN
94-2500	TUBE-SPACER, WHEEL
94-2621	ELEMENT-FILTER
94-2660	GASKET-FLANGE
94-2690	FILTER-FUEL
94-2694-01	COVER-RH
94-2701	WASHER-HARDENED
94-2702	SCREW-HH
94-2703	PLUG
94-2710	BEARING
94-2732	INSERT-THREADED, RH
94-2733	INSERT-THREADED, LH
94-2738	SCREW-CARR
94-2747	TAB-STOP
94-2958	STUD/BALL
94-3256	BELT
94-3405	BEARING-BALL
94-3418	TINE-SIDE EJECT, 3/8" (1/
94-3477	HYD HOSE ASM
94-3489	SCREW-HH
94-3559	SCREW-HSH
94-3621	FRONT GRASS SHIELD ASM
94-3695-01	PLATE-SIDE REEL, RH
94-3697-01	LH SIDE PLATE ASM
94-3829	PIN-CLEVIS
94-3951	FILTER
94-4208	HOURLMETER
94-4307	NUT-HEX, LOCK
94-4328	SHAFT - REAR ROLLER
94-4329	SHAFT-FRONT ROLLER
94-4335	TUBE ASM-REAR ROLLER
94-4507	COUPLER-SPLINED
94-4543	SPRING-WIRE, FLAT
94-4544	SPACER
94-4548	BUMPER-RECESSED
94-4969	REAR GRASS SHIELD ASM
94-4982	FULL ROLLER ASM
94-4993	WIEHLE ROLLER ASM (32" C/
94-5053	FRONT GRASS SHIELD ASM
94-5079	BEDKNIFE-LOWCUT
94-5236	TIRE
94-5261	TIRE (20X10-10) 4-PLY RIB
94-5350	FITTING-TEE

PARTS LIST

Part Number	Description
94-5357	HOSE ASM
94-5358	HOSE ASM
94-5381-01	CASTER FORK ASM
94-5383-01	CASTOR FORK ASM
94-5586-01	BAR ASM-LIFT, LH ARM
94-5588-01	BAR ASM-LIFT, R/H
94-5780	SCREW-HWH
94-5850	SPINDLE-DRUM
94-5858	WASHER
94-5870	CABLE-CLUTCH
94-5879	BAR-CUT OFF
94-5885	BEDKNIFE-TOURNAMENT
94-5979	GASKET
94-6116	WHEEL-REAR
94-6363	BEARING
94-6368	BEARING
94-6392	BEDKNIFE-HIGHCUT (21IN GR
94-6394	BEDKNIFE, TOURN-CUT, (GRE
94-6395	BEDKNIFE, LOWCUT, GR
94-6396	BEDKNIFE, HIGHCUT,(GREENS
94-6710	FUSE-2 AMP
94-6826	STRAINER-FUEL
94-6936	WASHER-HARDENED
94-7227	FILTER
94-7372	ELEMENT-BRUSH, POLY
94-8150	WIEHLE ROLLER ASM
94-8170	BRACKET-FRONT
94-8171	FRONT WIEHLE ROLLER ASM
94-8196	WASHER-NYLON
94-8197	TUBE-PIVOT
94-8198	PIN
94-8199	TUBE-PIVOT
94-8693	WHEEL ASM
94-8908	SEAL - GREASE
94-8936	BEDKNIFE, LC, EXT, RM (FA
94-8945	BUSHING
94-8946	WASHER-THRUST
94-9024	LAMP ASM
94-9202	SHAFT-DETHATCHER
94-9210	SHAFT-WHEEL, REAR
94-9211	WHEEL ASM
94-9213	COLLAR-SHAFT
94-9214	NUT-SPLINE, LH
94-9219	SCRAPER-ROLLER, RH
94-9220	SCRAPER-ROLLER, LH
94-9226	BRACKET-SCRAPER
94-9411	DIPSTICK
94-9609	BUSHING-STRAIGHT
94-9610	BUSHING-FLANGE
94-9611	HANDLE
94-9617	PIN-SPRING
94-9618	SPACER-SPRING
94-9619	BUSHING
94-9620	SPRING-TORSION
94-9625	R.H. CARRIER ASM - GR3200
94-9648	BALL STUD
95-0532	RUBBER BUSHING ASM
95-0550	MANIFOLD-EXHAUST
95-0551	TUBE-EXHAUST
95-0552	MUFFLER

Part Number	Description
95-0555	HOSE-SUCTION
95-0556-03	BASE-ENGINE
95-0559	TUBE-RH, REAR
95-0564	TUBE-RH, FRONT
95-0568-01	BRACKET-BULKHEAD
95-0575	TUBE-VALVE, SHUTTLE
95-0576-03	BASE-TANK, FUEL
95-0577	FITTING-BULKHEAD
95-0582	HOSE-INTAKE, AIR
95-0584	ROD-CONTROL
95-0586	CLAMP ASM
95-0590-03	BASE-TANK, HYD
95-0591	HOSE-HYD
95-0592	HOSE ASM
95-0594	FITTING-CAP
95-0595	HOSE-HYD
95-0599	WIRE ASM
95-0600-01	FRAME ASM
95-0601-01	VALVE SHROUD ASM
95-0610	ENGINE COVER ASM
95-0611	BRACKET-RH
95-0612	BRACKET-LH
95-0620-01	STRIP-RETAINER
95-0621	WHEEL AND TIRE ASM
95-0625	ROD-TRAVERSE
95-0632-03	COVER
95-0636	LEVER-BRAKE
95-0637-03	PLATE-SEAT
95-0642	LOCKNUT-BULKHEAD
95-0646	DECAL-SERVICE
95-0647	DECAL-CONTROL
95-0648	DECAL
95-0707	BEARING-ALIGNING, SELF
95-0728	BELT-DRIVE, POLY-V
95-0745	SCREW-TAPERED
95-0772	SPRING-COMPRESSION
95-0930	FULL FRONT ROLLER ASM (26
95-1629	HINGE-LOWER
95-1633	HOC ADJUST ASM
95-1634-01	FRAME-REEL ASM
95-1635-01	REEL FRAME ASM
95-1636	STRIP-SEAL
95-1638	BRACKET-REAR, HOC ADJUST
95-1642-01	WEIGHT-COUNTER
95-1653	SWITCH-POLE, SINGLE
95-1811	V-BELT
95-1828	HUB-GEAR, RING
95-2450	DIAPHRAM CAP 20PSI
95-2625	TIRE (18X8.5-10) 4-PLY
95-2638	TIRE (24X13-12) 4-PLY
95-2741	RIM-WHEEL, HALF
95-2789	NUT-CONE
95-2790	NUT-CONE, TALL
95-2793	NUT-ADJUSTMENT, BEARING
95-2903	ANGLE-BASKET SEAL
95-2910	ROLLER ASM
95-2912	SHAFT-ROLLER
95-2932	BRACKET-PULLEY
95-2941-01	STEERING ARM
95-3070	BLADE & BELT KIT

Part Number	Description
95-3071	BLADE AND BELT KIT
95-3072	BLADE & BELT KIT
95-3073	KIT-BLADE AND BELT
95-3076	WHEEL KIT-CASTOR
95-3077	CASTER WHEEL KIT
95-3078	SPINDLE KIT - GM2XX 52"
95-3079	SPINDLE KIT
95-3080	SPINDLE KIT ASM
95-3081	KIT-SPINDLE
95-3082	10-INCH CASTER WHEEL KIT
95-3083	8-INCH CASTER WHEEL KIT
95-3084	CASTOR WHEEL KIT
95-3085	CASTER WHEEL SET KIT
95-3086	WHEEL SET KIT,72"RD
95-3087	BLADE & BELT KIT
95-3088	BLADE & BELT KIT
95-3089	LH SPINDLE ASM
95-3090	CENTER SPINDLE ASM
95-3091	SPINDLE KIT
95-3094	BLADE & BELT KIT
95-3348	TIRE
95-3465	TIRE
95-3577	BUSHING
95-3703	WASHER-SPRING, WAVE
95-4256	SPRING-COMPRESSION
95-4356	FITTING
95-4387	SPINDLE SHAFT ASM - CTR
95-4389	KIT-OVERHAUL
95-5622	HANGER-RUBBER
95-5719	BLADE-GROOMER
95-5805	AIR CLEANER ASM
95-5806	BRACKET-MOUNTING, AIR CLE
95-5807	SPACER
95-5817	FRONT SHIELD ASM
95-5825	WIRE ASM
95-5826	SHIELD-RUBBER
95-5833	GUIDE-LEVER
95-5840-03	SHIELD-BASE, SEAT
95-5942	ELEMENT-BRUSH, WIRE (OPTI
95-5943	ROLLER ASM
95-5946	SHAFT-ROLLER
95-5959-01	PULLEY SUPPORT ASM
95-5965	CABLE-STEERING
95-5966	HOSE-INLET, PUMP
95-5984	HOSE-HYD
95-5985	HOSE-HYD
95-5986	HYD HOSE ASM
95-5987	HOSE-HYD
95-5988	HOSE-HYD
95-5989	HOSE-HYD
95-6231	CHAIN-HOC
95-6231	CHAIN-HOC
95-6448	SPACER
95-7119	HOSE-LINE, RETURN
95-7140-01	TUBE CAP ASM
95-7148	HOUSING-BEARING
95-7149	PULLEY-STEERING, FRONT
95-7158	PIN-PIVOT
95-7497	BUSHING-WHEEL
95-7733-01	BRKT.- HOC, MACH.

Part Number	Description
95-8531	SHAFT-PIVOT, LIFTARM
95-8538	SLIDE-PLASTIC
95-8538	SLIDE-PLASTIC
95-8568-03	FRAME-LOWER
95-8575	PIN-CLEVIS
95-8581	2-SPOOL CONTROL VALVE ASM
95-8601	GEAR PUMP ASM
95-8603	SPACER
95-8620	TANK-FUEL
95-8634	LINK
95-8634	LINK
95-8689	SINGLE SPOOL CONTROL VALV
95-8694	HYD MOTOR ASM
95-8724-03	SCREEN-HOOD
95-8730	V-BELT
95-8736	SPACER
95-8739-01	BEDBAR
95-8748-01	BEDBAR
95-8752	ARM-SPRING
95-8753-01	27 INCH REEL FRAME ASM
95-8755-01	REEL FRAME ASM
95-8783	TUBE ASM
95-8784	TUBE ASM
95-8796-03	SUPPORT-BATTERY
95-8802	PULLEY-IDLER
95-8803	BUSHING-FLANGE
95-8805	BUSHING
95-8806	SPACER
95-8826	HOSE ASM
95-8827	HOSE ASM
95-8828	HOSE ASM
95-8835	HOSE ASM
95-8836	HOSE ASM
95-8837	HOSE ASM
95-8840	HOSE ASM
95-8843	HOSE-HYD
95-8853	CABLE-BATTERY, POSITIVE
95-8854	CABLE-BATTERY, NEGATIVE
95-8861	SLIDE
95-8884	CLAMP
95-8904-0P	BRACKET-CLAMP
95-8905-01	FORK-REAR
95-8917	SPRING-TORSION
95-8917	SPRING-TORSION
95-8933-0P	PLATE-MOUNT, PUMP
95-8936	STRIP-WEAR
95-8936	STRIP-WEAR
95-8941	SPACER-MOUNT, PUMP
95-8971	GAUGE-FUEL
95-8972	GROMMET
95-8979	SHAFT
95-8980	TUBE ASM
95-8981	TUBE ASM
95-8982	TUBE ASM
95-8990	SHAFT-PIVOT, REAR
95-8999	SWITCH
95-9185	CLAMP
95-9186	CAP
95-9188	NOZZLE SS 1.GPM
95-9191	O-RING

PARTS LIST

Part Number	Description
95-9193	CAP-DIAPHRAM
95-9221	NOZZLE SS .2GPM
95-9222	NOZZLE SS .4GPM
95-9223	NOZZLE SS .5GPM
95-9224	NOZZLE SS .6GPM
95-9225	NOZZLE SS .8GPM
95-9226	NOZZLE SS 1.5GPM
95-9619	KEY-SQUARE
95-9619	KEY-SQUARE
95-9648	KNOB
98-0152	KNOB-TAPERED
98-0616	MUFFLER
98-0642	HYD HOSE REPLACEMENT KIT
98-0646	HOSE-HYD, TRACTION, RH (U)
98-0647	HOSE-HYD, TRACTION, RH (L)
98-0648	HYD HOSE ASM
98-0649	HOSE-HYD
98-0668	NUT
98-0917	ROD-PROP
98-0924-01	GUIDE-CHAIN
98-0925	BRACKET-CHAIN
98-0973	PIN-GROOVED
98-0996	STEERING SHFT KIT-SANDPRO
98-1471	WHEEL-STEERING
98-1483	SCREW-LINK, PULL
98-2150	HOSE-HYD
98-2153	HYD HOSE ASM
98-2160	VOLTMETER
98-2161	CABLE-BATTERY, POSITIVE
98-2178	SCREW - HSFH
98-2181	5 BLD REELHD GR3200 (FAIR)
98-2194	SLEEVE-GREASE
98-2196	ROD-SHIELD
98-2197	BUSHING-FLANGE
98-2197	BUSHING-FLANGE
98-2330	PIVOT PIN ASM
98-2389	SPACER-LINK, PULL
98-2859	CASTOR WHEEL ASM
98-2947	V-BELT - ALTERNATOR
98-2982	FILTER-ELEMENT, SAFETY
98-3551	GRASS SHIELD ASM
98-3587-01	FRAME-DETHATCHER ASM
98-3921	BELT
98-3999	FLAP-SIDE
98-4166	BUSHING
98-4583	HYD HOSE ASM
98-4584	HYD HOSE ASM
98-4587	HYD HOSE ASM
98-4590	HOSE-HYD
98-4639	BEARING-CONE
98-4871	BUSHING-TENSION
98-5208	BEARING-ROLLER
98-5215	BEARING-BALL, RADIAL
98-5918	GRASS SHIELD ASM
98-5920-01	SCRAPER-WIEHLE ASM
98-5933	BAR-CUT OFF
98-7068-01	CASTOR FORK ASM
98-7257	FULL FRONT ROLLER SCRAPER
98-7260	BEDKNIFE-TOURNAMENT CUT
98-7261	BEDKNIFE-MICROCUT
98-7264	WIDE WIEHLE ROLLER (18IN,

Part Number	Description
98-7300-01	FORK-CASTOR ASM
98-7302-01	FORK-CASTOR
98-7312	12 INCH WHEEL ASM
98-7313	TIRE-12 INCH
98-7400	HOSE ASM
98-7401	HOSE ASM
98-7402	HOSE ASM
98-7403	HOSE ASM
98-7404	HOSE ASM
98-7406	HOSE ASM
98-7407	HOSE ASM
98-7408	HOSE ASM
98-7410	HOSE ASM
98-7413	HOSE ASM
98-7419	ELEMENT-BREATHER
98-7611	CONTROLLER-GLOW
98-7611	CONTROLLER-GLOW
98-7612	FILTER-FUEL
98-7693	ALTERNATOR ASM
98-7705	V-BELT
98-7769	STUD
98-7912	TUBE-SPANNER
98-7913	TUBE-SPACER
98-7921-01	FORK-CASTOR ASM
98-7966	ROLLER ASM-2 1/2 DIA
98-7978	FRONT GRASS SHIELD ASM
98-7993	SCREW-HHF
98-8153	HOSE-RETURN
98-8159	PIVOT
98-8676	DECAL-CAUTION
98-8677-01	INSERT-STANDARD
98-8687	DECAL-PRESSURE, AIR
98-8688	DECAL-CAUTION
98-8690	HUB ASM
98-8691	WHEEL ASM
98-8754	LATCH-RAMP
98-8756	SPACER-STOP
98-8759	HINGE-ROD
98-8761-01	GUIDE-WHEEL
98-8766-01	AXLE ASM
98-8775	MAT-RAMP
98-8776	MAT-BED
98-8777	SPACER
98-9305	WATER / FUEL FILTER ASM
98-9311	SWIVEL-THROTTLE
98-9416	SWITCH-OIL
98-9493	ELEMENT-BREATHER
98-9676	V-BELT
98-9705	STARTER ASM
98-9764	ELEMENT
99-0044	ROLLER-FRONT
99-0815	O-RING - DUST SEAL, VITON
99-0853	NOZZLE FILTERS 50 MESH
99-1091	TIRE
99-1268	CASTOR WHEEL ASM
99-1283	SPACER
99-1291	SPACER
99-1297	IDLER ARM ASM
99-1453	CARRIER ASM - CENTER
99-1454	CARRIER ASM - LH
99-1456	PAD-UNIT, CUTTING

Part Number	Description
99-1460	BALL JOINT RECEIVER ASM
99-1469	HOSE-RADIATOR
99-1611	SHAFT
99-1612	BLADE-SPIKER
99-1613	SPACER
99-1615	REAR ROLLER ASM
99-1635	SPACER
99-1637-01	PLATE-SCRAPER
99-1638	ROLLER - PLASTIC
99-1644	DASH SHROUD ASM
99-2022	BELT
99-2023	BELT-DRUM
99-2047	BUSHING
99-2058	SPACER-SUPPORT, HANDLE
99-2079	SPACER
99-2087	SPACER
99-2093	NUT-ADJUSTER, BEDBAR
99-2097	DETENT
99-2098	WASHER
99-2318	V-BELT
99-3139	NUT-SLOTTED
99-3373	BAR-SUPPORT, SLIDE
99-3404	HOUSING-BEARING
99-3412-03	PULLEY
99-3439	HOSE ASM
99-3440	SPACER
99-3472	WEIGHT-LEAD
99-3476	SPRING-EXTENSION
99-3476	SPRING-EXTENSION
99-3478	TREAD-FOOT
99-3514	COVER
99-3545	SPACER
99-3602	BATTERY COVER ASM
99-3602	BATTERY COVER ASM
99-3619	BELT-3V
99-3620	PULLEY-3V, PUMP
99-3624	SHAFT-PIVOT, IDLER
99-3625	SPACER-ARM, IDLER
99-3626	PULLEY-3V
99-3641	CLAMP-TUBE
99-3646	HOSE-COOLER, OIL
99-3646	HOSE-COOLER, OIL
99-3757	COUPLING-FLEX
99-3767	NUT-LOCK, BEARING
99-3773	BOLT-PLOW
99-3782	SCREW-HOC
99-3792	BRACKET-ROLLER, REAR
99-3794-0P	BEDBAR-AGGRESSIVE
99-3801	SEAL-OIL
99-3841	ROLLER-FULL, ALUMINUM
99-3842	SEAL-OIL, NON-VENTED GRBX
99-4072	SPACER
99-4103	SHIELD ASM-REAR
99-4109	SPACER
99-4115	FRONT LIFT FRAME ASM
99-4116	REAR LIFT FRAME ASM
99-4126	CENTER LIFT ARM ASM
99-4148	BRACKET-LINK, RH
99-4148	BRACKET-LINK, RH
99-4149	BRACKET-LINK, LH
99-4149	BRACKET-LINK, LH

Part Number	Description
99-4152	DEFLECTOR-REEL, LH
99-4182-01	LH CLEVIS ASM
99-4183-01	RH CLEVIS ASM
99-4191	EXTENSION-ARM, PULL
99-4191	EXTENSION-ARM, PULL
99-4201	TUBE-SPACER
99-4208	SHROUD-CONSOLE
99-4209	SHAFT-ROLLER
99-4210	ROLLER-ANTI SCALP
99-4211	FRONT WIEHLE ROLLER ASM
99-4212	LH LIFT ARM ASM
99-4213	RH LIFT ARM ASM
99-4225	PAD-WEAR
99-4225	PAD-WEAR
99-4243	BUSHING-FLANGE
99-4248	SPACER
99-4258	RH LINK BRACKET ASM
99-4260	LH LINK BRACKET ASM
99-4270	EXTENSION-ARM, PULL
99-4500	SEAL-GREASE
99-4502	HUB
99-4503	CAP-GREASE
99-4504	PLUG-CAP, GREASE
99-4505	WASHER
99-4506	TIRE
99-4507	RIM
99-4508	NUT-CASTLE
99-4509	WASHER-TANG
99-4543-01	TONGUE-TRAILER
99-5107	NUT-LOCK
99-5432	RIM
99-5493	PULLEY-IDLER
99-5501	BRAKE CABLE ASM
99-5608-03	SPRING-TORSION, RH
99-5609-03	SPRING-TORSION, LH
99-5614	HYD HOSE ASM
99-5617	SLEEVE-PROTECTIVE
99-5621	GUIDE-HOSE
99-5648	SLEEVE-PROTECTIVE
99-5652	BRAKE ASM & LEVER
99-5653	RH HOC WA & SCREW
99-5654	LH HOC WA & SCREW
99-5672	NUT-BEARING ADJ.
99-5678	IDLER PULLEY ASM
99-5748	SHAFT-ROLLER
99-5749	FULL ROLLER ASM
99-6193	HOSE ASM
99-6240	NARROW WIEHLE ROLLER ASM
99-6241	NARROW WIEHLE ROLLER ASM
99-6858	BRACKET-HOC, UPDATE KIT
99-6964	BUSHING-AXLE
99-6969	SEAL-OIL, WHEEL END
99-7133	V-BELT-STARTER
99-7140	SPRING-TORSION
99-7143	BELT-DRIVE
99-7144	BELT-DRIVE
99-7214	PAWL-BRAKE
99-7300	TIRE(20X10-8) 4-PLY
99-7420	PLUG-HOLE
99-7430	RELAY-MINI
99-7435	RELAY

PARTS LIST

Part Number	Description
99-7532	BEARING-ROLLER, TAPER
99-7534	BEARING-BALL
99-7570	BEARING-ROLLER, TAPER
99-7667	WASHER-FLAT
99-7963-03	PEDAL-PARK
99-8150	CONTROL-THROTTLE
99-8162	KIT-REPAIR, SEAL
99-8163	SEAL KIT
99-8168	COLLAR-HOC
99-8343	GASKET-MUFFLER
99-8351	FILTER-FUEL, INLINE
99-8358	ELEMENT KIT
99-8432	WASHER-THRUST
99-8611	SPACER
99-8661	ROD-SPRING
99-8662	TUBE-SPRING
99-8664	SCREW-HH
99-8675	SHOULDER ROLLER ASM
99-8685-03	WIEHLE ROLLER
99-8686	WIEHLE ROLLER ASM
99-8693	ROD-SUPPORT
99-8698-01	BEDBAR
99-9155	THERMOSTAT
99-9155	THERMOSTAT
99-9156	BELT-V
99-9209	ALTERNATOR
99-9770	BELT-V
99-9771	BELT-V
99-9827	CUP-SCALP, ANTI
AU218-5106	FITTING-ELB 90
GVA15201	AIR CLEANER ELEMENT (22.5
GVA15205	OIL FILTER (22.5 HP ROBIN
H292327	BLADE PLASTIC
KW10676	SPARK PLUG
SBC17000	V-BELT
SG148154	SPRING ASM
SG148160	SPRING ASM
SG481512	SPRING-COMPRESSION
SG482016	WIRE-BAR, DRAW
SG482017	WIRE-BAR, DRAW
SG487054	3 WIRE SPRING ASM
SG487255	WIRE-DRAW BAR
SG487256	WIRE-DRAW, SPRING
SG487257	SPRING-COMPRESSION
SG487275	SPRING-COIL
SG487276	DRAW BAR-WIRE
SG487277	BAR-DRAW, ANTI-CROSS LOOP
SG487278	SPRING ASM
SG715802	ADAPTER SLEEVES (SR75)
SGA08313	SLEEVE-ADAPTER
SGA10375	54/70 ADAPT. SLEEVE FOR
SGA12375	48/72 ADAPT. SLEEVE FOR 3
SGC05550	TINE ASM-SIDE EJECT
SGC07624	TINE ASM-SIDE EJECT
SGC07625	TINE ASM-SIDE EJECT
SGC07750	TINE ASM-SIDE EJECT
SGC07754	TINE ASM-SIDE EJECT
SGC08100H	TINE ASM-SIDE EJECT
SGC08123	TINE ASM-SIDE EJECT
SGC08125	TINE ASM-SIDE EJECT
SGC10100H	TINE ASM-SIDE EJECT

Part Number	Description
SGC10100S	TINE ASM-SIDE EJECT
SGC10750	TINE ASM-SIDE EJECT
SGC10754	TINE ASM-SIDE EJECT
SGC10755	TINE ASM-SIDE EJECT
SGC10813H	TINE ASM-SIDE EJECT
SGC12123	TINE ASM-SIDE EJECT
SGC12125	TINE ASM-SIDE EJECT
SGS07313	TINE-SOLID 5/16" X 8.50"
SGS08313	TINE-SOLID 5/16" X 10"
SGS08375	TINE-SOLID 3/8" X 9.00"
SGS08500	TINE-SOLID 12MM X 8.00"
SGS10374	TINE-SOLID 3/8" X 10.75"
SGS10375	TINE-SOLID 3/8" X 12.15"
SGS10500	TINE-SOLID 12MM X 12.20"
SGS10504	TINE-SOLID 12MM X 10.75"
SGS10750	TINE-SOLID 18MM X 12.25"
SGS10875	TINE-SOLID 7/8" X 12.50"
SGS10876	TINE-SOLID 7/8" X 12.43"
SGS12500	TINE-SOLID 12MM X 14.25"
SGS12750	TINE-SOLID 18MM X 14.25"
SGS12875	TINE-SOLID 7/8" X 14.00"
SGS12876	TINE-SOLID 7/8" X 14.00"
SGS14500	TINE-SOLID 12MM X 16.18"
SGS14750	TINE-SOLID 18MM X 16.25"
SGS14875	TINE-SOLID 7/8" X 16.00"
SGS14876	TINE-SOLID 7/8" X 15.75"
SGS16100	TINE-SOLID 1.00" X 17.88"
SGT05550	TINE ASM
SGT07625	TINE ASM
SGT07750	TINE ASM
SGT08100H	TINE ASM
SGT08125	TINE ASM
SGT10100S	TINE-ASM
SGT10750	TINE ASM
SGT10813H	TINE ASM
SGT12125	TINE ASM
SVB13600	V-BELT
SVB14520	RETURN LINE FILTER
T68021100	TIRE-TURF
137-6526	TINE-QUAD (AE3-500-3)
137-6527	TINE-QUAD (AE3-500-4)
137-6529	TINE-QUAD (AE3-500-5)
138-5937	TINE-QUAD (AE3-500-2)



TORO PROTECTION PLUS™

EXTENDED PROTECTION PLAN

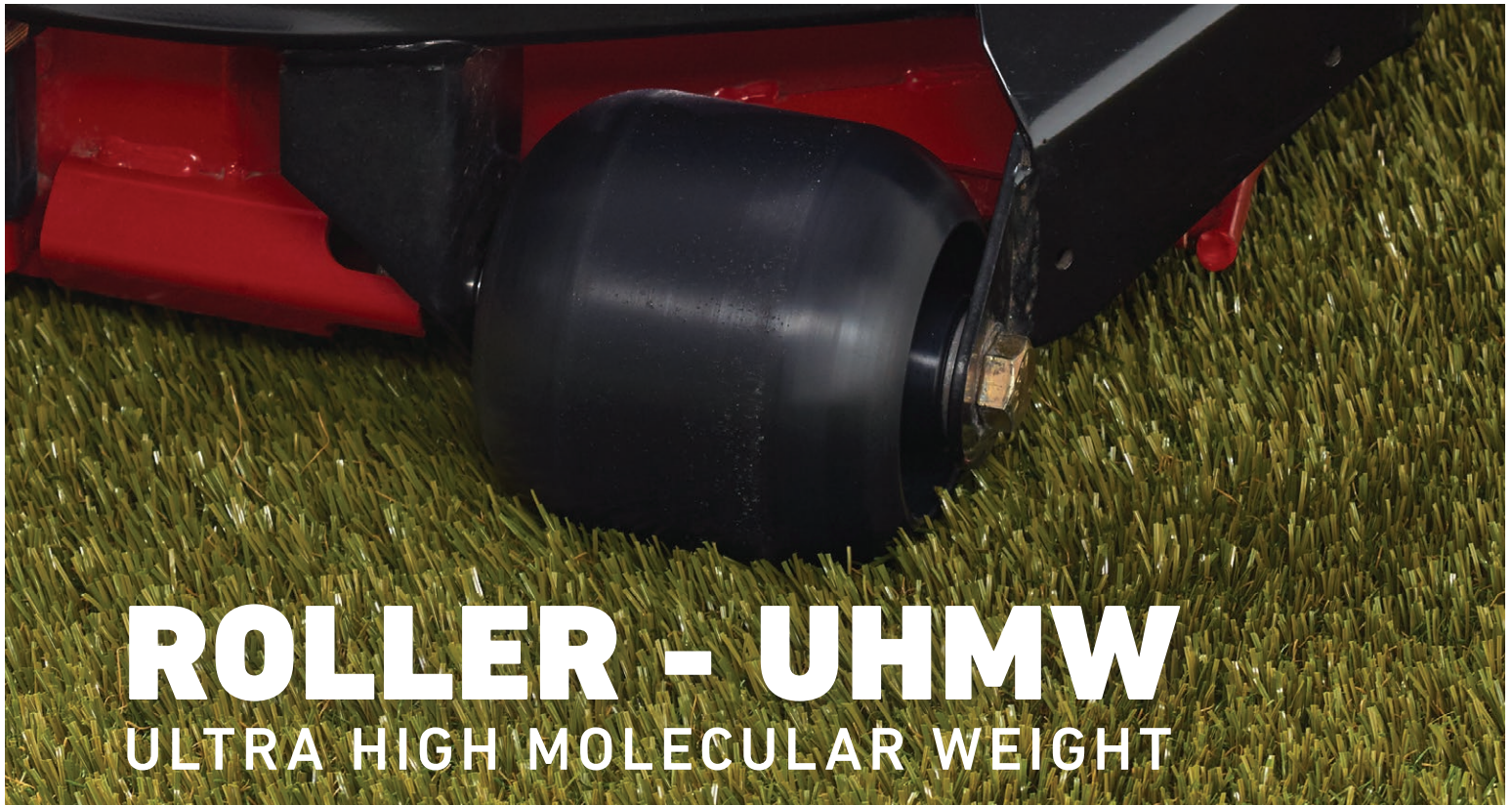
Run Your Maintenance Budget at Peak Efficiency

The Toro Protection Plus™ (TPP) Extended Protection Plan eliminates the hit your maintenance budget can take when the unforeseen happens. Coverage is available for new equipment, pre-owned equipment, and most Toro attachments and accessories. Just choose the plan that fits your needs.

\$0 deductible for parts & labor on covered repairs | Remaining coverage is transferrable if ownership changes



Learn More: 800-803-8676 | toro.com/tp



ROLLER - UHMW

ULTRA HIGH MOLECULAR WEIGHT

ROLL WITH IT!

Toro understands one size doesn't fit all your mowing needs. Customers who prefer replacement plastic rollers now have the option to equip their Groundsmaster® Contour™ Plus rotary mowers with the New Roller - UHMW.

- Lighter – New hollow design is nearly 3 times lighter than the standard rollers, and helps prevent scuffing turf in turns.
- Cost-Effective & Durable – Life expectancy up to 400 hrs.
- Maintenance-Free – Self-lubricating bushings are maintenance-free, and protect hardened steel shaft from daily wear.

Order Part Numbers:

- 131-7800 Roller - UHMW
- Ballast Kit (required – 1 per cutting unit), can be mounted directly onto the cutting deck
- 136-2881 (Ballast Kit for 27" cutting units)
- 136-2915 (Ballast Kit for 22" cutting units)



**For more information, contact your distributor:
800-803-8676**

WHAT *Local support you can depend on, year in and year out*

MATTERS *A commitment to you and your club's success*



MOST *Outstanding playing conditions and happy members*

What Matters Most to You Matters Most to Us.

This is more than equipment; it's an investment. In your course. Your crews. And your peace of mind. Keep your operation running smoothly with some of the most dependable products in the business, backed by local support that's second to none.

Call your local Toro distributor today: 800-803-8676



Count on it.



FOLLOW US!

facebook.com/toro
twitter.com/TheToroCompany
twitter.com/ToroGolf
youtube.com/toro
linkedin.com/company/the-toro-company

toro.com 800-803-8676

©2022 The Toro Company. Bloomington, MN 55420
All rights reserved. Printed in the USA.
Part Number 22-113-TC

Products depicted in this literature are for demonstration purposes only. Actual products offered for sale may vary in use, design, required attachments and safety features. We reserve the right to improve our products and make changes in specifications, design and standard equipment without notice and without incurring obligation. See your dealer for details on all our warranties.

