

Horizontal Rails

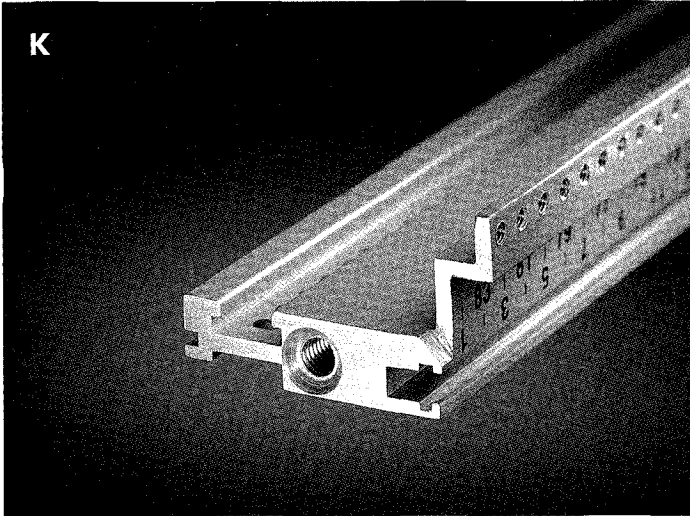
rear

Rear horizontal rail with Z, standard

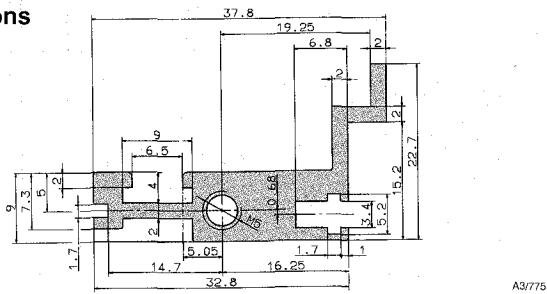
- With integral mounting for DIN 41 612 female connectors
- Standard version

84 HP version is printed with HP increments.

Usable HP	Length mm	Order No. (1 piece)	
		anodized	clear chromated
20	106.68	30819-024	30837-627
21	111.76	30819-025	30837-628
28	147.32	30819-032	-
40	208.28	30819-044	30837-647
42	218.44	30819-046	30837-649
60	309.88	30819-064	30837-667
63	325.12	30819-067	30837-670
81	416.56	30819-085	-
84	431.80	30819-088	30837-691
1 m		30819-334	30837-697



Dimensions



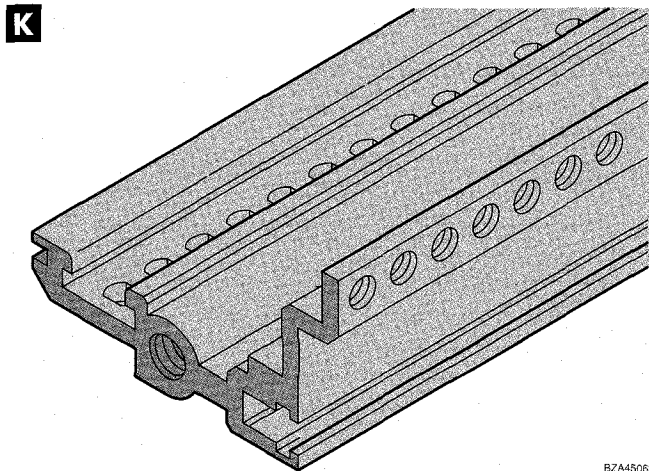
A3/775

Rear horizontal rail with Z, lightweight

- With integral mounting for DIN 41 612 female connectors
- Lightweight version

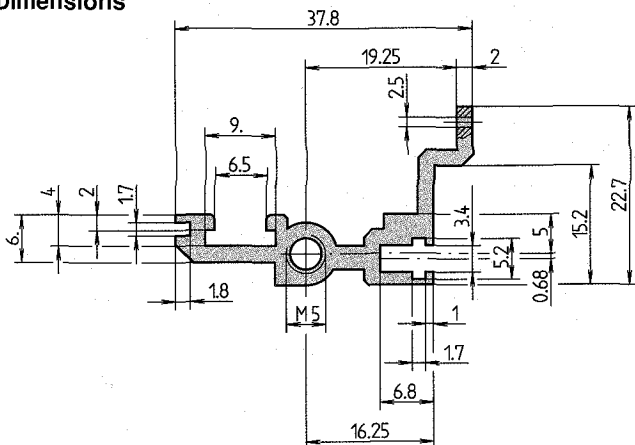
84 HP version is printed with HP increments.

Usable HP	Length mm	Order No. (1 piece)	
		anodized	clear chromated
28	147.32	30819-469	30837-077
42	218.44	30819-046	30837-091
63	325.12	30819-504	30837-112
84	431.80	30819-525	30837-133
1 m		-	30837-134



BZA45062

Dimensions



BZA42777

Accessories