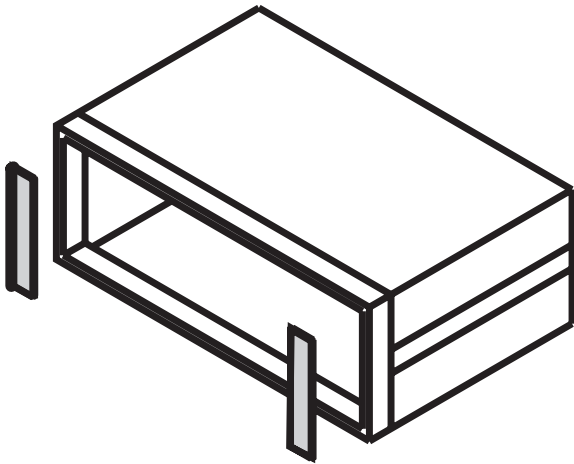


Desk-top cases - *propac* Accessories

Infill panel



- For lateral covering of the frame and for producing a continuous front with front panels and plug-in units

Delivery comprises (kit)

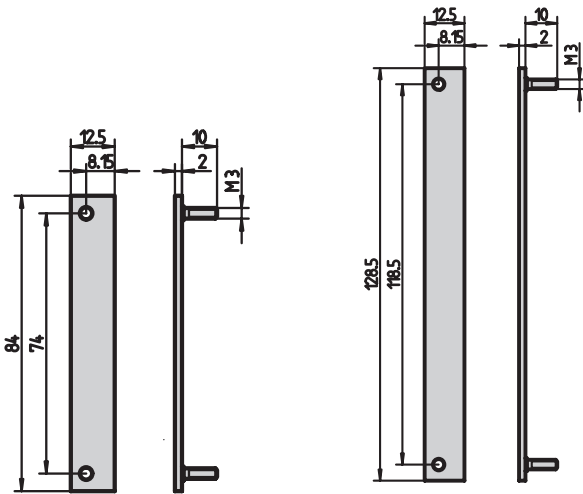
Item	Qty	Description
1	2	Side panel, Al profile 2.2 mm, anodised
2	6	Groove, Al

Order Information

For case height	Order no.
U	
2	20850-169
3	20850-170
4	20850-171
6	20850-173

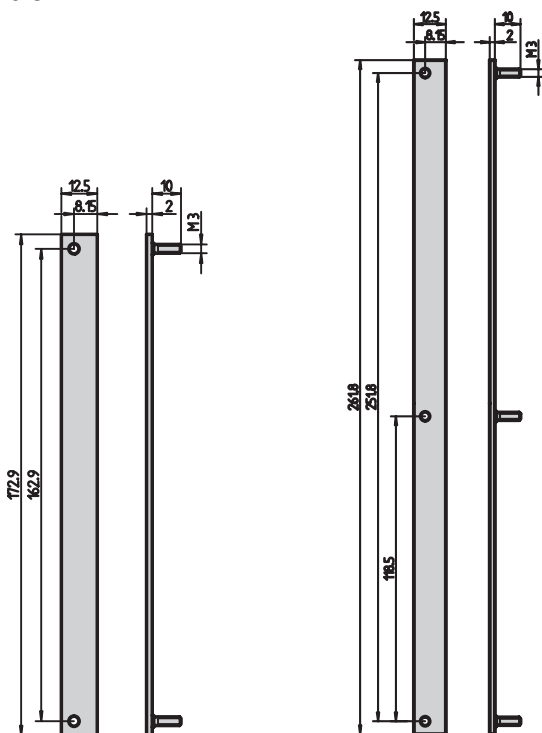
2 U 3 U

AZA45128



PPA43757PPA43758

4 U 6 U



PPA43759PPA45111



For further information www.schroff.biz/oneclick
oneClick code = Order no.