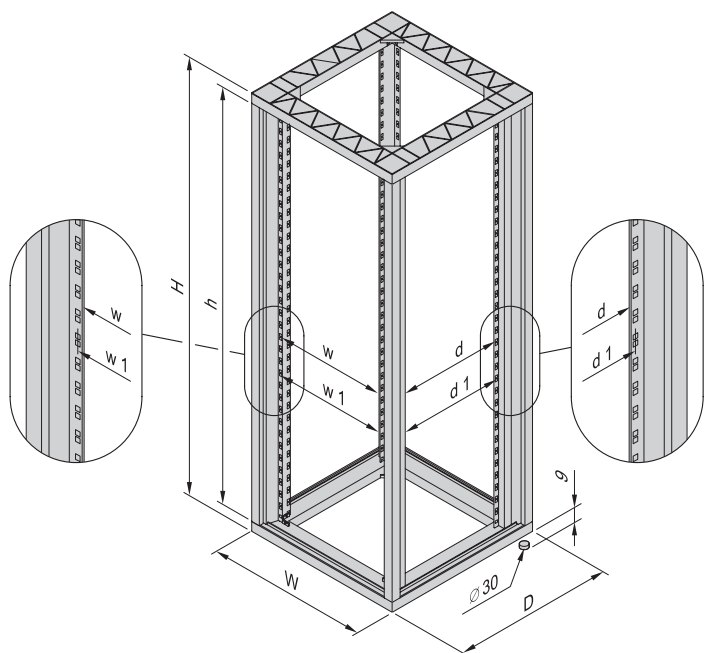


Cabinets - *eurorack*

Dimensions 19" frame



Height

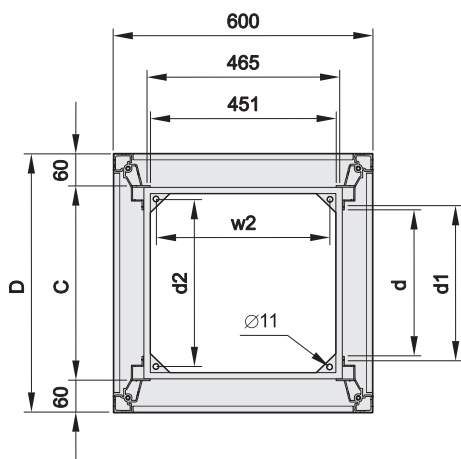
H with feet mm	H without feet mm	Usable height h	
		U	mm
998	989	20	890.5
1220	1211	25	1112.5
1398	1389	29	1290.5
1620	1611	34	1512.5
1798	1789	38	1690.5
2020	2011	43	1912.5
2198	2189	47	2090.5

Width

Cabinet width W mm	Upright distance w mm	Bolt-on dimension w1 mm	Distance between feet w2 mm
600	451	465	502

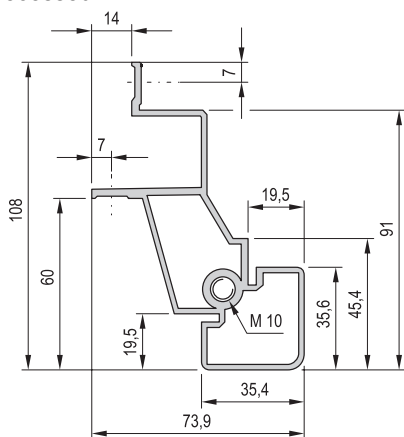
Depth

Cabinet depth D mm	c-dimension c mm	Upright distance d mm	Bolt-on dimension d1 mm	Distance between feet d2 mm
600	480	382	396	444
800	680	582	596	644
900	780	682	696	744



00105057

Upright 60 mm recessed



00105058

00106051

Cabinets - *eurorack*

19" cabinet without front and rear door

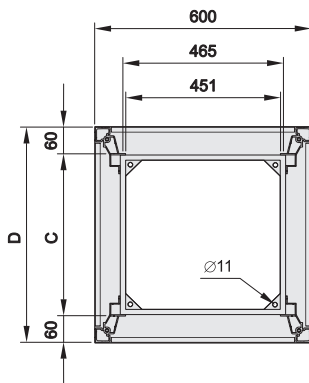
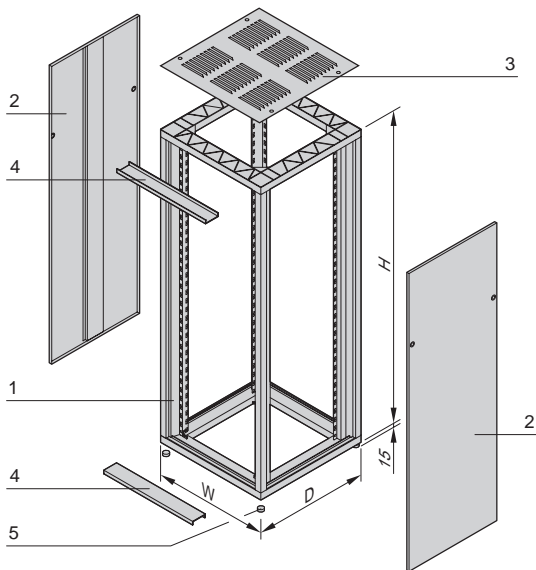


- Door combination freely selectable
- 19" cut-outs in front and rear uprights
- Inset covers
- Available in two colour combinations:
 - frame, side panels and top cover in black grey (RAL 7021)
 - frame in black grey (RAL 7021) side panels and top cover in light grey (RAL 7035)

NEW

Delivery comprises (assembled)

Item	Qty	Description
1	1	19" frame, consisting of 2 Al die-cast frames, RAL 7021, 4 aluminium profile uprights with 19" cut-outs
2	2	Side panel, St, 1 mm, with 2 quick-release fasteners each; colour RAL 7021 (black grey) or RAL 7035 (light grey), see Order Information
3	1	Top cover with vents, St, 1.5 mm, RAL 7021
4	2	Trim, St, 1 mm, RAL 7021 (for decorative finishing at top and bottom of front assembly area)
5	4	Foot, Al



Order Information

Usable height H	Height H	Width W	Depth D	Depth c	Colour RAL 7021 Part no.	Colour RAL 7021/ RAL 7035 Part no.
U	mm	mm	mm	mm		
34	1600	600	600	680	10117-541	10117-527
34	1600	600	800	680	10117-544	10117-530
38	1800	600	600	680	10117-542	10117-528
38	1800	600	800	680	10117-545	10117-531
43	2000	600	600	680	10117-543	10117-529
43	2000	600	800	680	10117-546	10117-532
47	2198	600	800	680	10117-547	10117-548

- GND/earthing** for frame, doors, side panels, top cover and base plate, PU 1 kit **21101-539**
- Lifting eyes** St, zinc-plated, M10, PU 4 pieces **20117-080**
- Adjustable feet** Load-carrying capacity 100 kg/foot, St and PA, black, PU 4 pieces **21101-201**
- Castors** Load-carrying capacity 100 kg/castor, PU 4 pcs **20117-024**
- Castors** Load-carrying capacity 60 kg/castor, PU 4 pcs **20117-757**

Note

- Please order base/plinth separately, see page 1.200
- Please order front and rear door separately, see page 1.198
- Other sizes available via ServicePLUS configuration, see from page 1.209



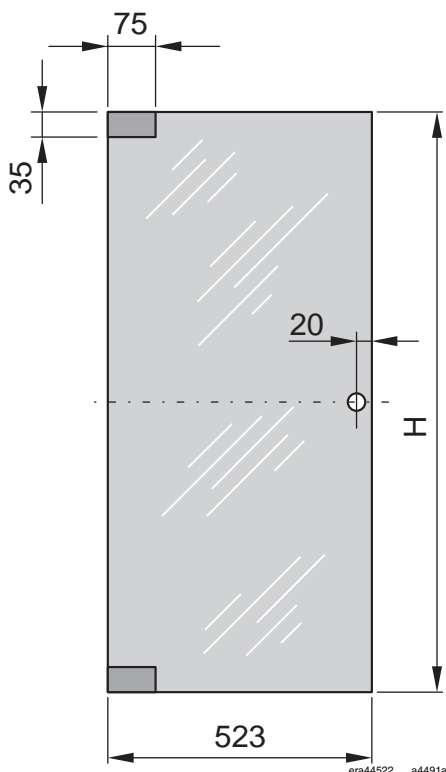
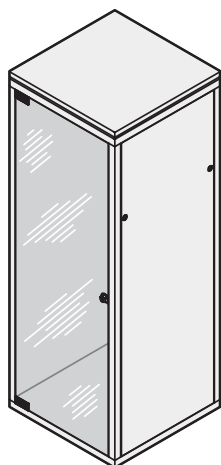
For further information www.schroff.biz/oneclick
oneClick search code = Part no.



ServicePLUS see page 1.208

Cabinets - *eurorack*

Glass door, 120° opening angle



- Can be assembled on all four sides
- Opening angle 120°

NEW

Delivery comprises

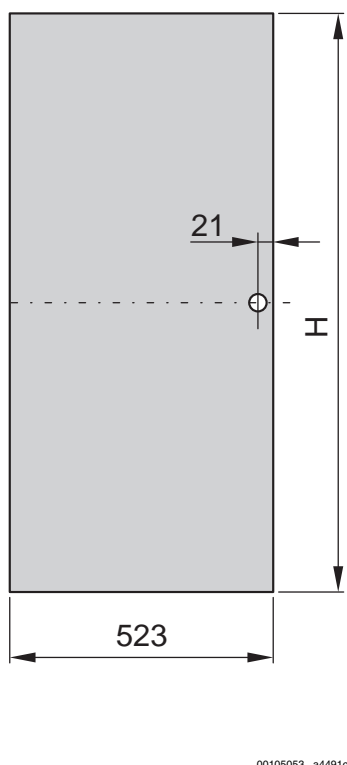
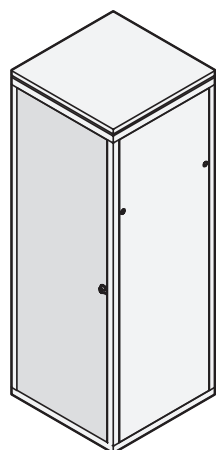
Item	Qty	Description
1	1	Glass door, Sekurit 6 mm, smoke grey
2	1	Safety lock with 2 keys
3	2	Hinge, St, 3 mm, RAL 9005
4	1	Assembly kit

Order Information

For cabinet height mm	Usable height U	H mm	For cabinet width mm	Part no.
782	16	733	600	20117-744
945	20	911	600	20117-745
1167	25	1133	600	20117-746
1290	29	1311	600	20117-747
1567	34	1534	600	20117-748
1798	38	1711	600	20117-749
2020	43	1934	600	20117-751
2198	47	2111	600	20117-752

- Further dimensions available on ServicePlus, see from page 1.212
- 180° glass door with lever handle, see page 1.211

Steel door, 120° opening angle



- Can be assembled on all four sides
- Opening angle 120°
- Colour black grey (RAL 7021) or light grey (RAL 7035)

NEW

Delivery comprises

Item	Qty	Description
1	1	Steel door, St, 1 mm
2	1	Safety lock with 2 keys
3	1	Assembly kit

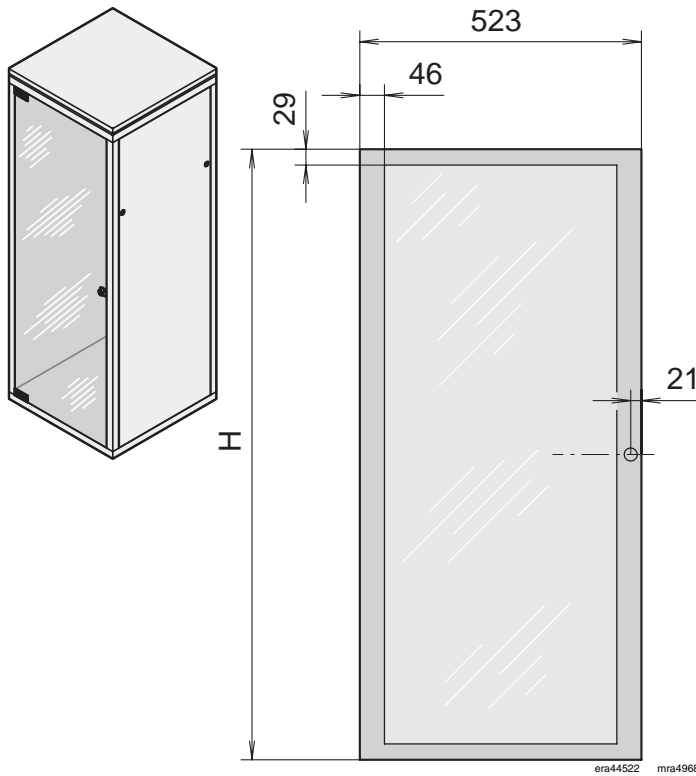
Order Information

For cabinet height mm	Usable height U	H mm	For cabinet width mm	Colour RAL 7021 Part no.	Colour RAL 7035 Part no.
782	16	733	600	22117-934	21117-184
945	20	911	600	22117-935	21117-185
1167	25	1133	600	22117-936	21117-186
1290	29	1311	600	23117-012	21117-187
1567	34	1534	600	22117-937	21117-188
1798	38	1711	600	22117-938	21117-189
2020	43	1934	600	22117-940	21117-190
2198	47	2111	600	22117-942	21117-191

- Further dimensions available on ServicePlus, see from page 1.212
- 180° steel door with lever handle page 1.212

Cabinets - *eurorack*

Glazed door, 120° opening angle



- Can be assembled on all four sides
- Opening angle 120°
- Frame colour black grey (RAL 7021) or light grey (RAL 7035)

NEW

Delivery comprises

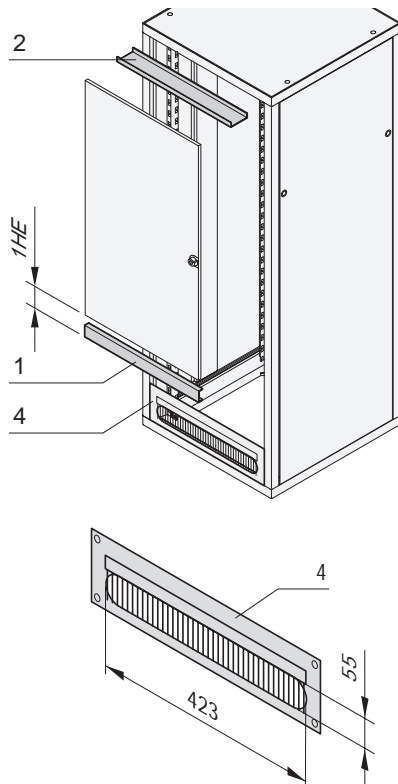
Item	Qty	Description
1	1	Door frame, Al, 2 mm, RAL 7035
2	1	Acrylic sheet, 2 mm, clear
3	1	Safety lock with 2 keys
4	1	Assembly kit

Order Information

For cabinet height mm	Usable height U	H mm	For cabinet width mm	RAL 7021	RAL 7035
				Part no.	Part no.
782	16	733	600	22117-943	20117-769
945	20	911	600	22117-944	20117-770
1167	25	1133	600	22117-945	20117-771
1290	29	1311	600	23117-011	20117-772
1567	34	1534	600	22117-946	20117-765
1798	38	1711	600	22117-947	20117-766
2020	43	1934	600	22117-949	20117-767
2198	47	2111	600	22117-951	20117-768

- Further dimensions available on ServicePlus configuration, see page 1.212

Door hinge bracket for shortened doors



- For doors which do not cover the full cabinet height
- 1 U space required (may be mounted above and below the door)
- The clearance can be covered with 19" filler panels or with cable ducting plates 3 U/4 U

Delivery comprises (kit)

Item	Qty	Description
1	1	Door hinge bracket, 19", St, 1.5 mm, RAL 7021
2	1	Trim, St, 1 mm, RAL 7021, cover for frame
3	1	Assembly kit

Order Information

Description	Part no.
Door hinge bracket for shortened doors	22117-798
Item 4 19" cable ducting 3 U, RAL 7021, with brush strip and assembly kit, 1 piece	20118-796
Item 4 19" cable ducting 4 U, RAL 7021, with brush strip and assembly kit, 1 piece	20118-797

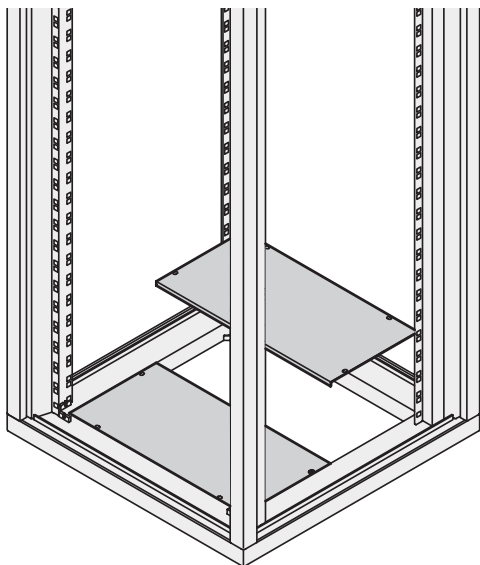
- 19" front panels see chapter Cabinet Accessories, page 3.2

Cable ducting plate

00201507

Cabinets - *eurorack*

Base plate



- For covering the base opening, two parts
- Mounting on frame, overlaying

Delivery comprises

Item	Qty	Description
1	2	Base plate, St, 1.5 mm, RAL 7021, width 469 mm, depth 234 mm (at cabinet depth 600 mm), depth 334 mm (at cabinet depth 800 mm)
2	1	Assembly kit

Order Information

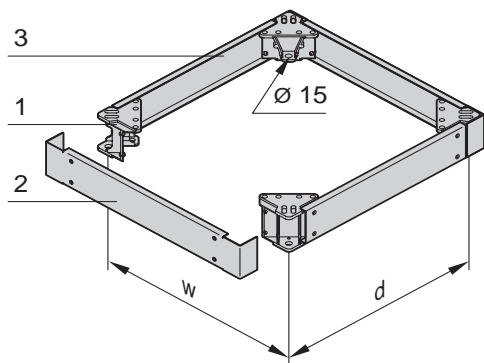
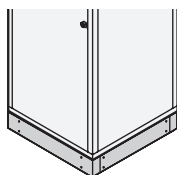
For cabinet width mm	For cabinet depth mm	Part no.
600	600	22117-826
600	800	22117-827

00108051

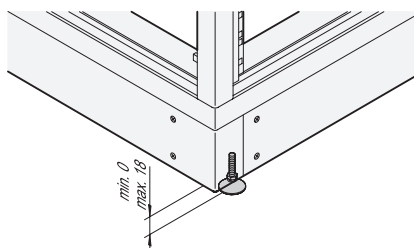


For further information www.schroff.biz/oneclick
oneClick search code = Part no.

Base/plinth plain



ERA4453200108057



era44553

- Height 100 mm
- Covers removable from all sides

Delivery comprises

Item	Qty	Description
1	4	Corner piece, Al die-cast
2	2	Cover, St, 2.5 mm, RAL 7021, for front and rear
4	2	Cover, St, 2.5 mm, RAL 7021, for sides
4	1	Assembly kit

Order Information

For cabinet width mm	For cabinet depth mm	Part no.
600	600	22117-830
600	800	22117-831
Adjustable feet Load-carrying capacity 100 kg/foot, St and PA, black, PU 4 pieces		21101-201

Note

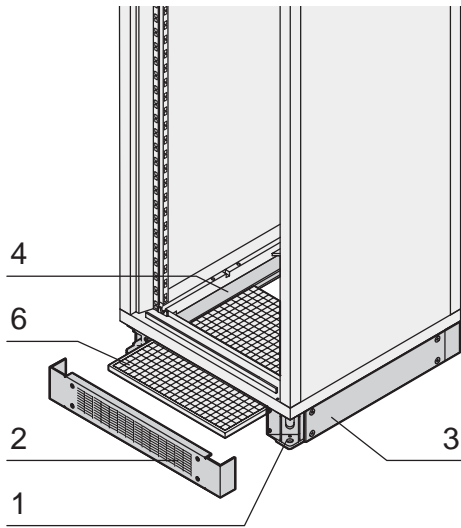
- Castors cannot be used with a plinth



For further information www.schroff.biz/oneclick
oneClick search code = Part no.

Cabinets - *eurorack*

Base/plinth with ventilation



ERTP0057

- Height 100 mm
- Covers removable on all sides
- Can be assembled with filter

Delivery comprises (Kit)

Item	Qty	Description
1	4	Corner piece, Al die-cast
2	2	Cover, St, 2.5 mm, RAL 7021, for front and rear, with vent slots
3	2	Cover, St, 2.5 mm, RAL 7021, for sides
4	2	Filter retention
5	1	Assembly kit

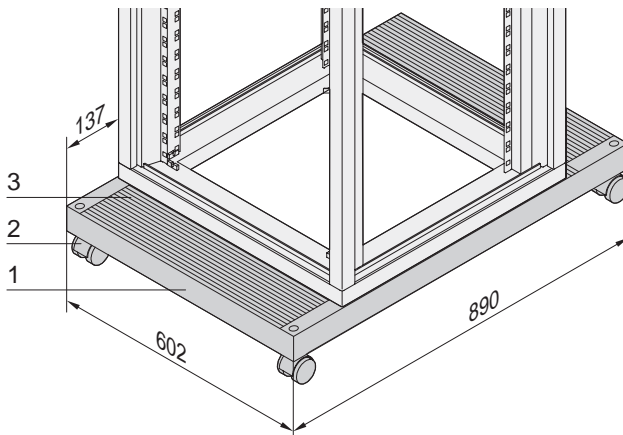
Order Information

For cabinet width mm	For cabinet depth mm	Part no.
600	600	22117-864
600	800	22117-865
Filter mat Item 6 for cabinet depth 600 mm, width 600 mm, PU 3 pieces		60114-514
Filter mat Item 6 for cabinet depth 800 mm, width 600 mm, PU 3 pieces		60114-515

Note

- Filter mat not included, please order separately

Base/plinth mobile



era45323

- For cabinet width 600 mm, depth 600 or 800 mm
- Static load-carrying capacity 300 kg

Delivery comprises

Item	Qty	Description
1	1	Frame, Al die-cast, RAL 7021
2	4	Castor, polyamide, loading capability 100 kg each
3	2	Rubber mat, black, self-adhesive, 3 mm thick
4	1	Assembly kit

Order Information

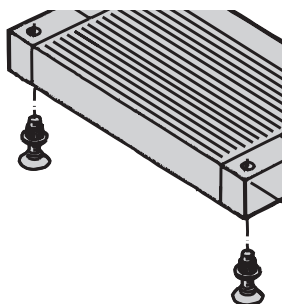
Description	Part no.
Base/plinth mobile	22117-869
Jacking foot for mobile base/plinth PU 2 pieces	20117-503

Note

- The jacking feet for the mobile plinth are fitted from below. They are adjusted with a screwdriver from above.



For further information www.schroff.biz/oneclick
oneClick search code = Part no.

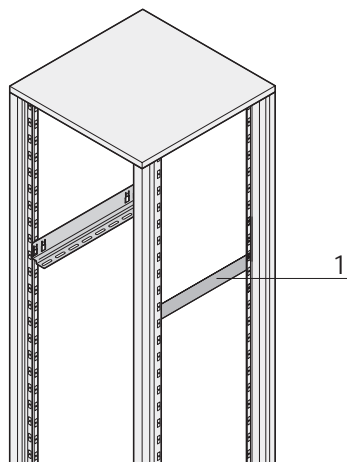


a42574

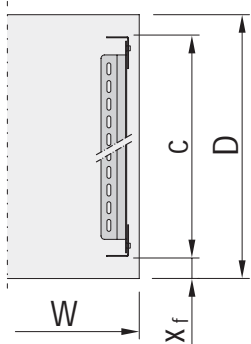
Jacking foot for mobile base/plinth

Cabinets - eurorack

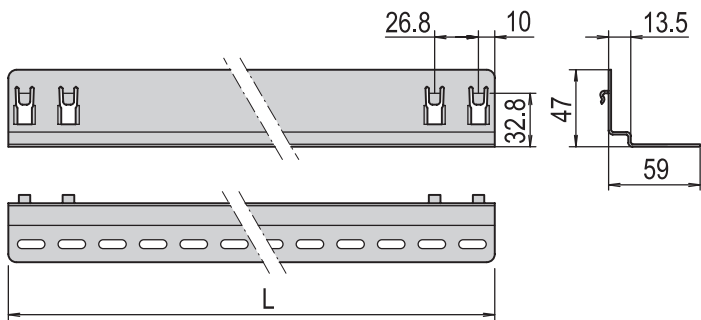
Slide rail



c = pitch of the 19" uprights



0020505900205069



L = length

41003080

- For safe and simple installation of heavy 19" subracks
- Can be snapped into the upright at 1 U increments
- Load-carrying capacity max. 25 kg per pair

Delivery comprises

Item	Qty	Description
1	10	Slide rail for insertion, St, 1.5 mm, surface AlZn
2	1	Assembly kit

Order Information

For cabinet depth	Length L	c	X _f	Part no.
mm	mm	mm	mm	
600	417	480	60	21127-197
800	617	680	60	21127-198

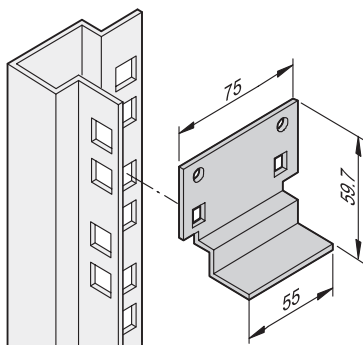
Note

- Can only be fitted to 19" upright
- Further dimensions available on ServicePlus, see from page 1.218



For further information www.schroff.biz/oneclick
oneClick search code = Part no.

Short slide rail



sc96xxxx

- For assembly on 19" panel/slide mounts
- Adjustable in 1 U increments
- Static load-carrying capacity max. 15 kg per pair

Delivery comprises

Item	Qty	Description
1	2 / 10	Short slide rail, St, 1,5 mm, finish AlZn
2	1	Assembly kit

Order Information

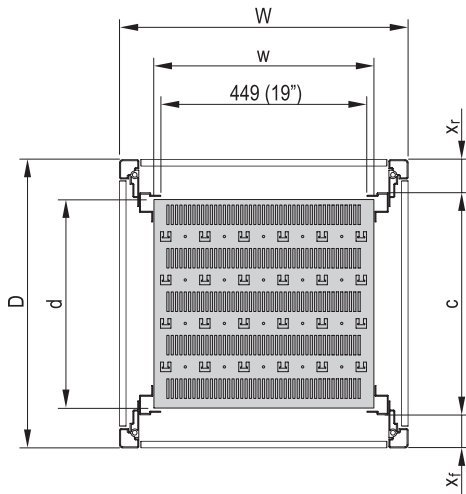
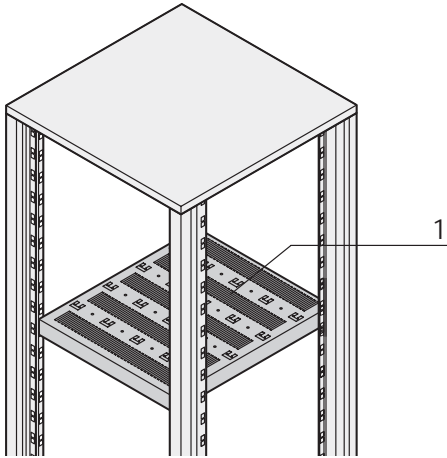
Description	Qty/PU	Part no.
Short slide rail	2	20118-592
Short slide rail	10	20118-593



For further information www.schroff.biz/oneclick
oneClick search code = Part no.

Cabinets - *eurorack*

19" fixed shelf, 75 kg



00105054

00105050

- Static load-carrying capacity 75 kg
- Mounting height 1 U, for mounting on cabinet uprights, full depth
- With hammer head perforation to fix cable ties

Delivery comprises

Item	Qty	Description
1	1	Shelf, St, 1.5 mm, RAL 7021
2	1	Assembly kit incl. GND/earthing kit

Order Information

Cabinet dimensions W x D	Usable surface w x d	x _f	x _r	c	Part no.
mm	mm	mm	mm	mm	
600 x 600	477 x 443	60	60	480	22117-842
600 x 800	477 x 643	60	60	680	22117-843

Note

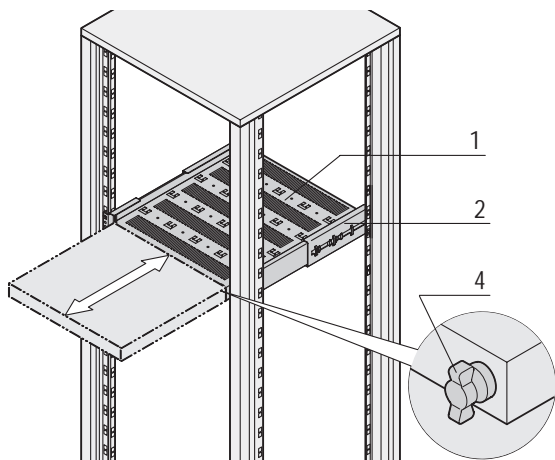
- Further dimensions available on ServicePlus, see from page 1.219



For further information www.schroff.biz/oneclick
oneClick search code = Part no.

Cabinets - *eurorack*

19" telescopic shelf, 70 kg

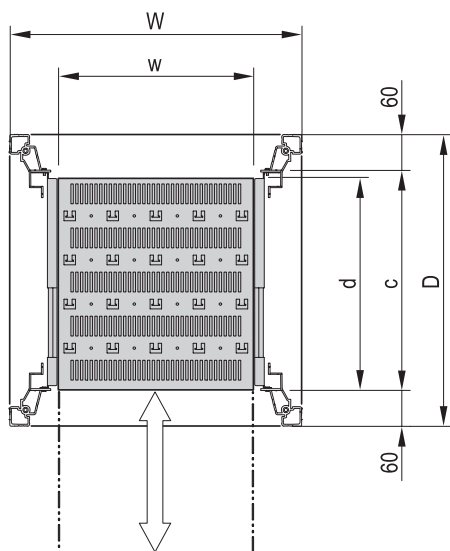


- Static load-carrying capacity at full extension 70 kg
- Mounting height 2 U, for mounting on four 19" panel/slide mounts
- Incl. telescopic slides
- Locking with T-bar lock possible
- Hammer head perforation to fix cable ties
- 2 versions
 - Full depth
 - Depth shortened by 100 mm for rear cable ducting

Delivery comprises

Item	Qty	Description
1	1	Shelf with perforation, St, 1.5 mm, RAL 7021
2	2	Telescopic slide, 2 U
3	1	Assembly kit

Full depth



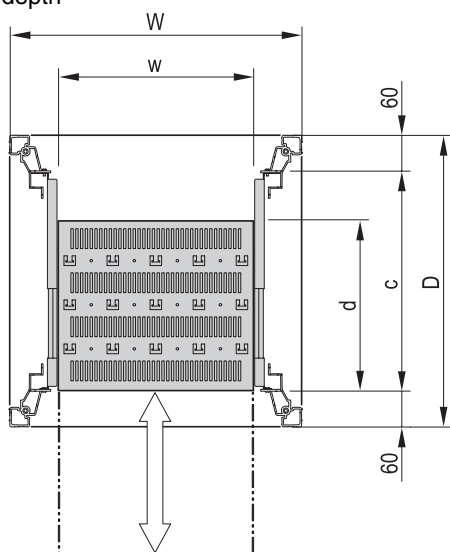
00105052

Order Information

Full depth

Cabinet dimensions W x D mm	Usable surface w x d mm	c mm	Full depth Part no.
600 x 600	405 x 482	480	21130-353
600 x 800	405 x 682	680	21130-355
Item 4 T-bar lock for one telescopic shelf (on right or left), 1 piece			23130-092
earthing for 19" telescopic shelf PU 1 kit, for eurorack/minirack			21120-189

Shortened depth



00105069

Order Information

Shortened by 100 mm

Cabinet dimensions W x D mm	Usable surface w x d mm	c mm	Shortened by 100 mm Part no.
600 x 600	405 x 382	480	21130-352
600 x 800	405 x 582	680	21130-354
Item 4 T-bar lock for one telescopic shelf (on right or left), 1 piece			23130-092
GND/earthing for 19" telescopic shelf PU 1 kit			21120-189

c = max. pitch of the 19" slide mounts

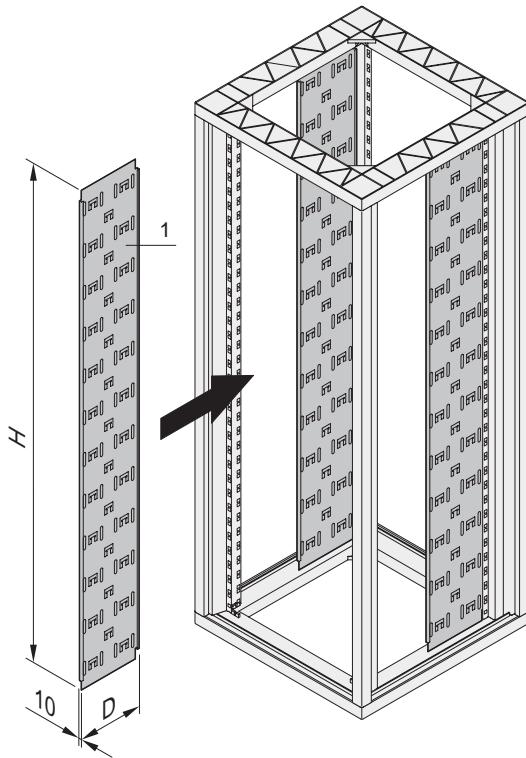
00105070



For further information www.schroff.biz/oneclick
oneClick search code = Part no.

Cabinets - *eurorack*

Cable tray



- For mounting direct onto the frame, can be recessed with depth members
- Fixing of cables with cable ties or Velcro
- Colour RAL 7021 (black grey) or RAL 7035 (light grey)
- Widths 150 mm and 250 mm

NEW

Delivery comprises

Item	Qty	Description
1	2	Cable tray with cut-outs, St, 1 mm
2	1	Assembly kit

Order Information

For cabinet height H		D	RAL 7021	RAL 7035
U	mm	mm	Part no.	Part no.
38	1798	150	23117-020	23117-026
43	1934	150	23117-021	23117-027
47	2020	150	23117-022	23117-028
38	1798	250	23117-023	23117-029
43	1934	250	23117-024	23117-030
47	2020	250	23117-025	23117-031

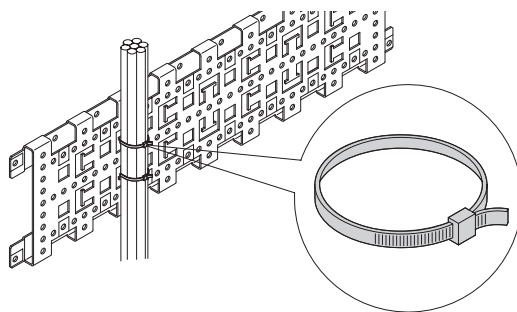
Depth member for 19" eurorack 600 mm cabinet depth, St, 1.5 mm, AlZn, PU 2 pieces **22117-376**

Depth member for 19" eurorack 800 mm cabinet depth, St, 1.5 mm, AlZn, PU 2 pieces **22117-377**

Note

- Cable ties, see page 1.207
- Velcro, see page 1.207

Cable tie



Delivery comprises

Item	Qty	Description
1	25	Cable tie, plastic

Order Information

Description		Part no.
Cable tie	92 mm x 2,5 mm	20118-351
Cable tie	186 mm x 5 mm	20118-352
Cable tie	360 mm x 5 mm	20118-353

Velcro

- Length 300 mm (for cable bundles of max. 90 mm diameter)

Delivery comprises

Item	Qty	Description
1	10	Velcro tape, PE/PA, black, length 300 mm

Order Information

Description	Part no.
Velcro strip	20118-624

Cabinets - *eurorack* 19" ServicePLUS

eurorack 19"

Frames, side-by-side mounting kits, GND/earthing, adjustable feet, castors

Order Information

No.	Cabinet dimensions			19" frame 19" plane to front and rear era45341 19" frame, comprising Al die-castings, Al extruded uprights RAL 7021, defined pitch between front and rear 19" plane	Side-by-side mounting kit ERTP0070 serves to bolt together two cabinets; sealing strips are PU foam	GND/earthing aza43284 for frame, door, side panel, top cover, base plate PU 1 kit assembled	Adjustable feet era44553 St, PA, black, load- carrying capacity 100 kg per foot PU 4 pieces assembled	Castors	
	Height U mm	Width mm	Depth mm					Load-carrying capacity 180 kg era44556 assembly directly onto frame, height H = 93 mm, 2 locking, 2 non-locking castors PU 4 pieces supplied loose	Load-carrying capacity 300 kg era44556 assembly directly onto frame, height H = 110 mm, 2 locking, 2 non-locking castors PU 4 pieces supplied loose
1	20	998	600	22117-977	20117-515	21101-539	21101-201	20117-757	20117-024
2	20	998	800	22117-978	20117-515	21101-539	21101-201	20117-757	20117-024
3	25	1220	600	22117-979	20117-515	21101-539	21101-201	20117-757	20117-024
4	25	1220	800	22117-980	20117-515	21101-539	21101-201	20117-757	20117-024
5	29	1398	600	22117-981	20117-515	21101-539	21101-201	20117-757	20117-024
6	29	1398	800	22117-982	20117-515	21101-539	21101-201	20117-757	20117-024
7	34	1620	600	22117-772	20117-515	21101-539	21101-201	20117-757	20117-024
8	34	1620	800	22117-773	20117-515	21101-539	21101-201	20117-757	20117-024
9	34	1620	900	22117-774	20117-515	21101-539	21101-201	20117-757	20117-024
10	38	1798	600	22117-775	20117-515	21101-539	21101-201	20117-757	20117-024
11	38	1798	800	22117-776	20117-515	21101-539	21101-201	20117-757	20117-024
12	38	1798	900	22117-777	20117-515	21101-539	21101-201	20117-757	20117-024
13	43	2020	600	22117-778	20117-515	21101-539	21101-201	20117-757	20117-024
14	43	2020	800	22117-779	20117-515	21101-539	21101-201	20117-757	20117-024
15	43	2020	900	22117-780	20117-515	21101-539	21101-201	20117-757	20117-024
16	47	2198	600	22117-983	20117-515	21101-539	21101-201	20117-757	20117-024
17	47	2198	800	22117-781	20117-515	21101-539	21101-201	20117-757	20117-024
18	47	2198	900	22117-984	20117-515	21101-539	21101-201	20117-757	20117-024


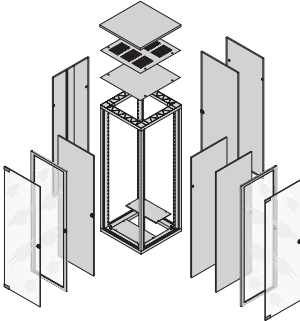
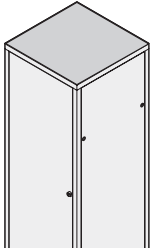
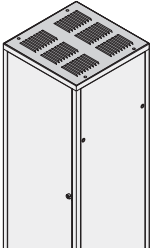
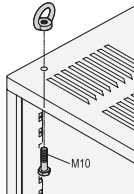
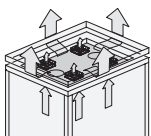
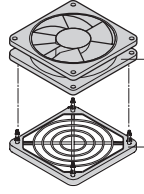
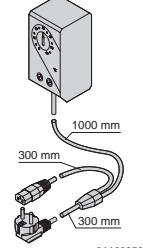
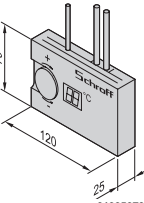
Frame dimensions, see page 1.194

Cabinets - *eurorack* 19" ServicePLUS

eurorack 19"

Flush top covers

Order Information

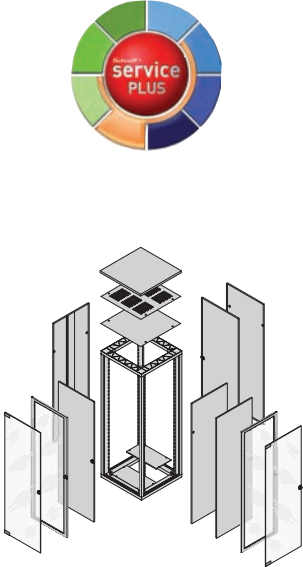
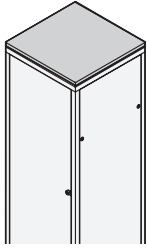
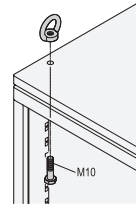
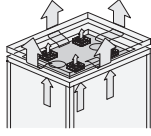
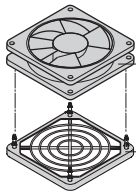
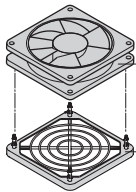
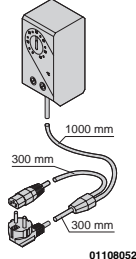
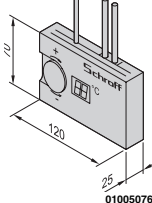
Cabinet dimensions				Flush top cover			Top cover fan for flush louvered cover				
				Plain	Louvered	Lifting eyes	Fan tray without fans	Fan for fan tray	Thermostat	Speed control	
No.	U	Height mm	Width mm	Depth mm	1 piece assembled	1 piece assembled	PU 4 pieces assembled	1 piece assembled	1 piece assembled	1 piece assembled	1 piece assembled
 				 ERA44525 St, 1 mm, RAL 7021	 ERA45344 St, 1 mm, RAL 7021	 lifting eye for flush cover, application and static load-carrying capacity in accordance with DIN 582	 ertp0055 St, 1.5 mm, RAL 7021, all 6 openings closed with PE blank plugs, terminal clamp with connecting cable, 2 m, IEC-60320 C14 plug	 axial fan 230 V _{AC} , 8 W, 90 m ³ /h, height 25 mm, protective grille, plastic, black, flammability UL 94 V-0	 01108052 with mains cable 230 V _{AC} (SCHUKO/UTE plug/ IEC 60320 C13 socket), adjustment range 0 ... 60°C	 01005076 fully wired, 110 ...230 V _{AC} , input SCHUKO/UTE plug, output IEC 60320 C13 socket; external NTC sensor 1.5 m	
1	20	998	600	600	22117-801	22117-806	20117-080	22117-821	20713-048	20118-750	10713-550
2	20	998	600	800	22117-802	22117-807		22117-822	20713-048	20118-750	10713-550
3	25	1220	600	600	22117-801	22117-806	20117-080	22117-821	20713-048	20118-750	10713-550
4	25	1220	600	800	22117-802	22117-807		22117-822	20713-048	20118-750	10713-550
5	29	1398	600	600	22117-801	22117-806	20117-080	22117-821	20713-048	20118-750	10713-550
6	29	1398	600	800	22117-802	22117-807		22117-822	20713-048	20118-750	10713-550
7	34	1620	600	600	22117-801	22117-806	20117-080	22117-821	20713-048	20118-750	10713-550
8	34	1620	600	800	22117-802	22117-807		22117-822	20713-048	20118-750	10713-550
9	34	1620	600	900	22117-803	22117-808	20117-080	22117-823	20713-048	20118-750	10713-550
10	38	1798	600	600	22117-801	22117-806		22117-821	20713-048	20118-750	10713-550
11	38	1798	600	800	22117-802	22117-807	20117-080	22117-822	20713-048	20118-750	10713-550
12	38	1798	600	900	22117-803	22117-808		22117-823	20713-048	20118-750	10713-550
13	43	2020	600	600	22117-801	22117-806	20117-080	22117-821	20713-048	20118-750	10713-550
14	43	2020	600	800	22117-802	22117-807		22117-822	20713-048	20118-750	10713-550
15	43	2020	600	900	22117-803	22117-808	20117-080	22117-823	20713-048	20118-750	10713-550
16	47	2198	600	600	22117-801	22117-806		22117-821	20713-048	20118-750	10713-550
17	47	2198	600	800	22117-802	22117-807	20117-080	22117-822	20713-048	20118-750	10713-550
18	47	2198	600	900	22117-803	22117-808		22117-823	20713-048	20118-750	10713-550

Cabinets - *eurorack* 19" ServicePLUS

eurorack 19"

Raised top covers

Order Information

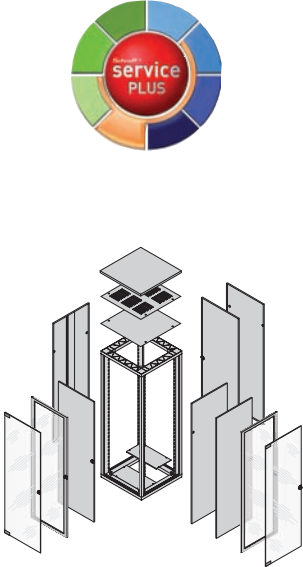
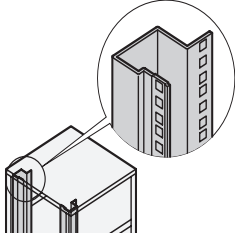
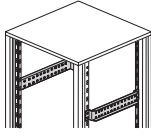
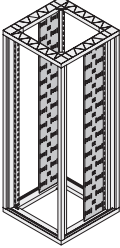
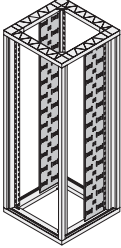
					Raised top cover		Fan for raised top cover					
					Raised	Lifting eyes	Fan tray without fans	Fan for fan tray		Thermostat	Speed control	
					 ERA44526 St, 1.5 mm, RAL 7021, air gap all around 8 mm, IP 20	 ERA44560 lifting eye for raised top cover, application and static load-carrying capacity in accordance with DIN 582	 erfp0055 St, 1.5 mm, RAL 7021, all 6 openings closed with PE blank plugs, terminal clamp with connecting cable, 2 m, IEC-60320 C14 plug	 axial fan 230 V _{AC} , 15 W, 162 m ³ /h, height 38 mm, protective grille, plastic, black, flammability UL 94 V-0	 axial fan 230 V _{AC} , 8 W, 90 m ³ /h, height 25 mm, protective grille, plastic, black, flammability UL 94 V-0	 01108052 with mains cable 230 V _{AC} (SCHUKO/UTE plug/ IEC 60320 C13 socket), adjustment range 0 ... 60°C	 01005076 fully wired, 110 ... 230 V _{AC} , input SCHUKO/UTE plug, output IEC 60320 C13 socket; external NTC sensor 1.5 m	
					No.	U	mm	mm	mm	1 piece assembled	PU 4 pieces assembled	1 piece assembled
Cabinet dimensions												
	Height	Width	Depth									
1	20	998	600	600	22117-811		22117-821	20713-243	20713-048	20118-750	10713-550	
2	20	998	600	800	22117-812	20150-011	22117-822	20713-243	20713-048	20118-750	10713-550	
3	25	1220	600	600	22117-811		22117-821	20713-243	20713-048	20118-750	10713-550	
4	25	1220	600	800	22117-812	20150-011	22117-822	20713-243	20713-048	20118-750	10713-550	
5	29	1398	600	600	22117-811		22117-821	20713-243	20713-048	20118-750	10713-550	
6	29	1398	600	800	22117-812	20150-011	22117-822	20713-243	20713-048	20118-750	10713-550	
7	34	1620	600	600	22117-811		22117-821	20713-243	20713-048	20118-750	10713-550	
8	34	1620	600	800	22117-812	20150-011	22117-822	20713-243	20713-048	20118-750	10713-550	
9	34	1620	600	900	22117-813		22117-823	20713-243	20713-048	20118-750	10713-550	
10	38	1798	600	600	22117-811		22117-821	20713-243	20713-048	20118-750	10713-550	
11	38	1798	600	800	22117-812	20150-011	22117-822	20713-243	20713-048	20118-750	10713-550	
12	38	1798	600	900	22117-813		22117-823	20713-243	20713-048	20118-750	10713-550	
13	43	2020	600	600	22117-811		22117-821	20713-243	20713-048	20118-750	10713-550	
14	43	2020	600	800	22117-812	20150-011	22117-822	20713-243	20713-048	20118-750	10713-550	
15	43	2020	600	900	22117-813		22117-823	20713-243	20713-048	20118-750	10713-550	
16	47	2198	600	600	22117-811		22117-821	20713-243	20713-048	20118-750	10713-550	
17	47	2198	600	800	22117-812	20150-011	22117-822	20713-243	20713-048	20118-750	10713-550	
18	47	2198	600	900	22117-813		22117-823	20713-243	20713-048	20118-750	10713-550	

Cabinets - *eurorack* 19" ServicePLUS

eurorack 19"

Third 19" plane, lateral cable ducting

Order Information

					19" panel/slide mount		Depth member For 19" eurorack	Lateral cable ducting			
					RAL 7021	AlZn		Cable tray Width 150 mm		Cable tray Width 250 mm	
 <small>SZA45958</small>					 <small>ertp0043</small>		 <small>00108061</small>		 <small>00108061</small>		
											St, 1.5 mm, with 19" cut-out; to fit a third 19" plane, 1 pair of 19" panel/slide mounts and 2 pairs of depth members are required
Cabinet dimensions					RAL 7021	AlZn	AlZn	RAL 7035	RAL 7021	RAL 7035	RAL 7021
No.	U	mm	mm	mm	PU 2 pieces assembled	PU 2 pieces assembled	PU 2 pieces assembled	PU 2 pieces assembled	PU 2 pieces assembled	PU 2 pieces assembled	PU 2 pieces assembled
1	20	998	600	600			22117-376				
2	20	998	600	800	23117-017	22117-352	22117-377				
3	25	1220	600	600			22117-376				
4	25	1220	600	800	23117-018	22117-353	22117-377				
5	29	1398	600	600			22117-376				
6	29	1398	600	800	23117-019	22117-354	22117-377				
7	34	1620	600	600			22117-376				
8	34	1620	600	800	22117-835	22117-355	22117-377				
9	34	1620	600	900			22117-378				
10	38	1798	600	600			22117-376				
11	38	1798	600	800	22117-836	22117-356	22117-377	23117-026	23117-020	23117-029	23117-023
12	38	1798	600	900			22117-378				
13	43	2020	600	600			22117-376				
14	43	2020	600	800	22117-837	22117-357	22117-377	23117-027	23117-021	23117-030	23117-024
15	43	2020	600	900			22117-378				
16	47	2198	600	600			22117-376				
17	47	2198	600	800	22117-838	22117-358	22117-377	23117-028	23117-022	23117-031	23117-025
18	47	2198	600	900			22117-378				

Cabinets - *eurorack* 19" ServicePLUS

eurorack 19"

19" slide rails

Order Information

No.	Cabinet dimensions			Dimension standard assembly		Slide rails			Short slide rail		
	Height	Width	Depth	x_f	c	25 kg	40 kg, depth-adjustable				
	U mm	mm	mm	mm	mm	PU 2 pieces enclosed loose	PU 10 pieces enclosed loose	PU 2 pieces enclosed loose	PU 2 pieces enclosed loose	PU 10 pieces enclosed loose	
1	20	998	600	600	60	480	22127-094	21127-197	–	20118-592	20118-593
2	20	998	600	800	60	780	22127-096	21127-199	28127-001	20118-592	20118-593
3	25	1220	600	600	60	480	22127-094	21127-197	–	20118-592	20118-593
4	25	1220	600	800	60	680	22127-096	21127-199	28127-001	20118-592	20118-593
5	29	1398	600	600	60	480	22127-094	21127-197	–	20118-592	20118-593
6	29	1398	600	800	60	680	22127-096	21127-199	28127-001	20118-592	20118-593
7	34	1620	600	600	60	480	22127-094	21127-197	–	20118-592	20118-593
8	34	1620	600	800	60	680	22127-095	21127-198	28127-001	20118-592	20118-593
9	34	1620	600	900	60	780	22127-096	21127-199	28127-001	20118-592	20118-593
10	38	1798	600	600	60	480	22127-094	21127-197	–	20118-592	20118-593
11	38	1798	600	800	60	680	22127-095	21127-198	28127-001	20118-592	20118-593
12	38	1798	600	900	60	780	22127-096	21127-199	28127-001	20118-592	20118-593
13	43	2020	600	600	60	480	22127-094	21127-197	–	20118-592	20118-593
14	43	2020	600	800	60	680	22127-095	21127-198	28127-001	20118-592	20118-593
15	43	2020	600	900	60	780	22127-096	21127-199	28127-001	20118-592	20118-593
16	47	2198	600	600	60	480	22127-094	21127-197	–	20118-592	20118-593
17	47	2198	600	800	60	680	22127-095	21127-198	28127-001	20118-592	20118-593
18	47	2198	600	900	60	780	22127-096	21127-199	28127-001	20118-592	20118-593

