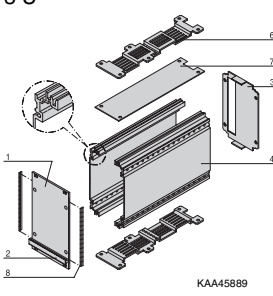
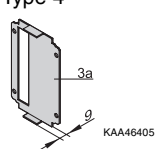
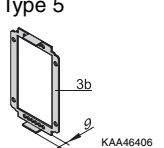
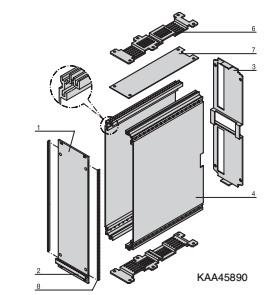
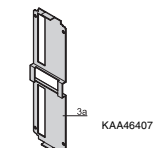
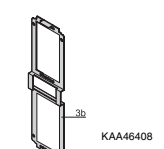


# Frame-type 4 & 5 plug-in units, HF plug-in units



## Frame-type plug-in units 3/6 U kits

- Right and left extruded side plates with grooves for sliding in a printed circuit board (standard card position only on the left)
- Installation of further printed circuit boards by assembly of guide rails in the perforated cover plates

Plug-in unit height	Rear panel	Width: HP	Plug-in units			
			Front panel unshielded		Front panel with slots for EMC contact strips	
			D = 167 mm	D = 227 mm	D = 167 mm	D = 227 mm
3 U 	Type 4 	10	<b>24811-429</b>	<b>24811-435</b>	<b>20846-206</b>	<b>20846-215</b>
		12	<b>24811-430</b>	<b>24811-436</b>	<b>20846-207</b>	<b>20846-216</b>
		14	<b>24811-431</b>	<b>24811-437</b>	<b>20846-208</b>	<b>20846-217</b>
		21	<b>24811-432</b>	<b>24811-438</b>	<b>20846-209</b>	<b>20846-218</b>
		28	<b>24811-433</b>	<b>24811-439</b>	<b>20846-210</b>	<b>20846-219</b>
	Type 5 	10	<b>24811-453</b>	<b>24811-459</b>	<b>20846-242</b>	<b>20846-251</b>
		12	<b>24811-454</b>	<b>24811-460</b>	<b>20846-243</b>	<b>20846-252</b>
		14	<b>24811-455</b>	<b>24811-461</b>	<b>20846-244</b>	<b>20846-253</b>
		21	<b>24811-456</b>	<b>24811-462</b>	<b>20846-245</b>	<b>20846-254</b>
		28	<b>24811-457</b>	<b>24811-463</b>	<b>20846-246</b>	<b>20846-255</b>
6 U 	Type 4 	10	<b>24811-441</b>	<b>24811-447</b>	<b>20846-224</b>	<b>20846-233</b>
		12	<b>24811-442</b>	<b>24811-448</b>	<b>20846-225</b>	<b>20846-234</b>
		14	<b>24811-443</b>	<b>24811-449</b>	<b>20846-226</b>	<b>20846-235</b>
		21	<b>24811-444</b>	<b>24811-450</b>	<b>20846-227</b>	<b>20846-236</b>
		28	<b>24811-445</b>	<b>24811-451</b>	<b>20846-228</b>	<b>20846-237</b>
	Type 5 	10	<b>24811-465</b>	<b>24811-471</b>	<b>20846-260</b>	<b>20846-269</b>
		12	<b>24811-466</b>	<b>24811-472</b>	<b>20846-261</b>	<b>20846-270</b>
		14	<b>24811-467</b>	<b>24811-473</b>	<b>20846-262</b>	<b>20846-271</b>
		21	<b>24811-468</b>	<b>24811-474</b>	<b>20846-263</b>	<b>20846-272</b>
		28	<b>24811-469</b>	<b>24811-475</b>	<b>20846-264</b>	<b>20846-273</b>
42	<b>24811-470</b>	<b>24811-476</b>	<b>20846-265</b>	<b>20846-274</b>		

### Delivery comprises: In kit form

Item	Qty	Description	Material/Notes
1	1	Front panel	Al 2.5 mm, front anodised, rear side yellow chromated
2	1	Handle, grey	PPE, UL 04 V-1
3a/3b	1	Rear panel	Al 1.5 mm
4	2	Extruded side plate	Al 1.5 mm
5	1 kit	Assembly kit	

### Please order separately:

Item	Qty	Description	Material/Notes
6/7	2	Cover plate	see under individual parts
8	2	EMC contact strips for front panels with slots	see under individual parts
-	-	Guide rails for printed circuit boards	see under individual parts
-	-	Printed boardfastening	see under individual parts

## Plug-in units

- Frame-type plug-in units 3/6 U kits .....2.63.1
- Frame-type plug-in unit individual parts .....2.63.2
- EMC contact strip 3/6 U .....2.63.2
- Cover plate .....2.63.2
- Guide Rails in Plug-in Units .....2.63.2
- Front panel .....2.63.3
- Plastic handle .....2.63.4
- Rear panel .....2.63.5
- Side plate rear angle .....2.63.5
- Side plate .....2.63.6
- Extruded side plate .....2.63.6
- Assembly instructions .....2.63.7
- Retention parts for plug-in units 3/6 U .....2.63.7
- Printed board fastening to plug-in units .....2.63.8

## HF plug-in units

- HF plug-in units 3/6 U individual parts ...2.63.10
- HF Body Tube 3/6 U .....2.63.10
- Dimensions .....2.63.11
- Front panel 3 U .....2.63.12
- Front panel 6 U .....2.63.13
- Rear panel 3 U .....2.63.14
- Rear panel 6 U .....2.63.14
- Retention parts for HF plug-in units U ....2.63.15
- Mounting bracket for printed circuit boards .....2.63.15



# Frame-type 4 & 5 plug-in units, HF plug-in units

Case ..... 2.10.0

Subrack ..... 2.20.0

19" chassis ..... 2.50.0

Modules ..... 2.60.0

Front panels,  
partial width ..... 2.61.0

Plug-in modules ..... 2.62.0

Frame-type 4 & 5  
plug-in units ..... 2.63.0

Drive units ..... 2.64.0

PCB accessories ..... 2.65.0

Retention parts ..... 2.66.0

Accessories .... 2.70.0

Appendix ..... 2.80.0

## Frame-type plug-in unit individual parts

You can select your plug-in units from individual parts.

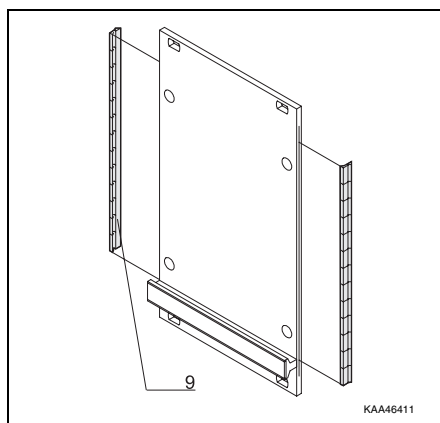
### EMC contact strip 3/6 U

■ For EMC sealing for front panels with slots

Item	Height U	Quantity	Length	Material	Order no.
9	3	10	97	Stainless steel, corrosion free	<b>21101-705</b>
		100			<b>21101-706</b>
6	10	232	<b>21101-707</b>		
	100		<b>21101-708</b>		

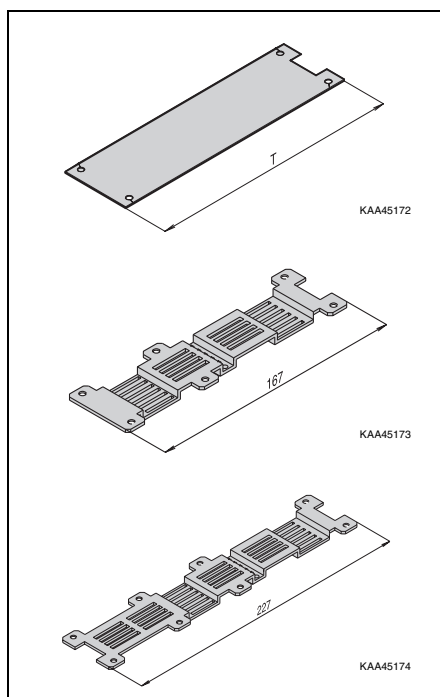
Assembly tool (1 unit)

Order no. **24560-270**



### Cover plate

Front panel width HP	Cover plate			
	with perforation		without perforation	
	D = 167 mm	D = 227 mm	D = 167 mm	D = 227 mm
10	-	-	<b>34811-040</b>	<b>34811-060</b>
12	<b>34811-100</b>	<b>34811-109</b>	<b>34811-041</b>	<b>34811-061</b>
14	<b>34811-101</b>	<b>34811-110</b>	<b>34811-042</b>	<b>34811-062</b>
21	<b>34811-102</b>	<b>34811-111</b>	<b>34811-043</b>	<b>34811-063</b>
28	<b>34811-103</b>	<b>34811-112</b>	<b>34811-044</b>	<b>34811-064</b>
42	<b>34811-104</b>	<b>34811-113</b>	<b>34811-045</b>	<b>34811-065</b>



### Guide Rails in Plug-in Units

■ For assembly in perforated cover plates if more than on printed circuit board is to be installed into the plug-in units

Description	Board depth mm	Groove width mm	Order no.
Guide rail	160	2	<b>60809-004</b>
	220		

### Delivery comprises

Qty	Description	Material	Surface
1	Guide rail	PPE, UL 94 V-1	black

