

ratiopacPRO

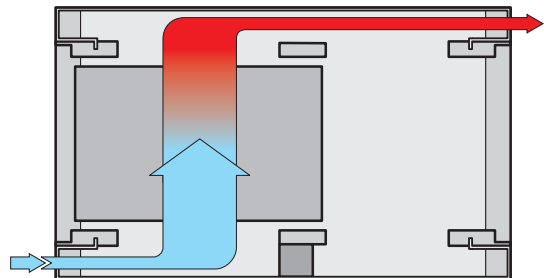
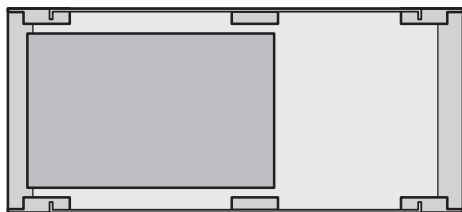


- Overview 0
- Cabinets 1
- Wall mounted cases 2
- Accessories for cabinets and wall mounted cases 3
- Climate control 4
- Desk-top cases 5**
- Subracks/
19" chassis 6
- Front panels,
plug-in units 7
- Systems 8
- Power supply
units 9
- Backplanes 10
- Connectors, front
panel component
system 11
- Appendix 12

Desk-top cases - *ratiopac*PRO



0680002



06801005

ratiopacPRO
Suitable for extractor handles according to IEEE 1101.10/11 for CompactPCI and VME64x applications

ratiopacPRO air
1 U for ventilation (1/2 U at top, 1/2 U at bottom)

Standards

- Internal and external dimensions according to:
IEC 60297-3-101 / IEEE 1101.1
IEC 60297-3-102 / IEEE 1101.10/11
- Protection type IP 20 according to IEC 60529
- Protective grounding connections according to:
EN 50178 / VDE 0160
EN 60950 / VDE 0805
EN 61010-1 / VDE 0411 Part 1
EN 61010-1A2 / VDE 0411 Part 1/ A1
- EMC tests in accordance with VG 95373 part 15

Modification

- Easy conversion from desktop case into 19" subrack case
- Special colours
- Further depths and widths
- Fan rear panels
- Customized cut-out in front panel, rear panel, cover and base plate
- Assembly service according to customer specification

**FRONT PANEL
FAST TRACK**



Further important information can be found on the internet under www.schroff.biz

Desk-top cases - *ratiopac* PRO

Overview5.2

Desk-top case with 19" compatible dimensions

- PRO air is 1 U larger than PRO, (1/2 U at top, 1/2 U at bottom for ventilation)
- Identical board space for PRO and PRO air
- Symmetrical design, identical front and rear
- EMC shielding retrofittable
- Suitable for CompactPCI and VME64x applications
- Hidden screws, covers removable without tools



06800005

ratiopacPRO

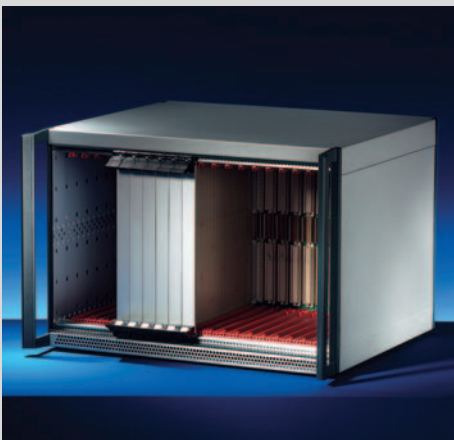
- Cases with bezel, front handle and 19" bracket, unshielded
- Complete case with bezel, shielded and unshielded, extended scope of supply
- Tower
- Small case, horizontal board insertion

ratiopacPRO

Case	5.4
Complete case	5.6
Dimensions	5.7
Tower case	5.8
Small case	5.9

ratiopacPRO air

Case	5.10
Complete case	5.11
Dimensions	5.13
Small case	5.14



06800008

ratiopacPRO air

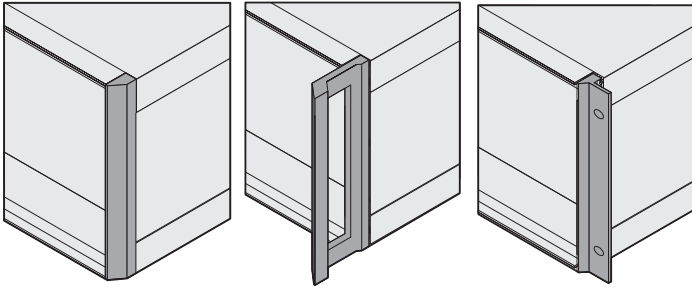
- Case with bezel, front handles or 19" bracket, unshielded
- Complete case with bezel, shielded and unshielded, extended scope of supply
- Small case, horizontal board insertion

Accessories

EMC gasketing for case	5.15
EMC gasketing for front panels and horizontal rails	5.16
Front panels	5.17
Rear panels	5.18
Tip-up feet	5.19
Air filters	5.20
Earthing kit	5.20
Front handles	5.21
19" mounting angles for conversion	5.22
Coloured films for front handle and cover	5.23
Cable holders	5.23
Air baffles	5.24
Strap handles	5.24
Tip-up carrying handles	5.25
Screws, nuts, tools	5.26
Horizontal / central rails	5.27
Threaded inserts, perforation and insulation strips	5.30
Divider plates	5.31
Chassis plates	5.32
Horizontal board assembly	5.34
Combined mounting	5.36
Support members	5.37
Guide rails	5.38

Desk-top cases - *ratiopacPRO*

ratiopacPRO case



Bezel Front handle 19" bracket

018050500180505101805052

- Available in three versions:
 - with bezel
 - with front handle
 - with 19" brackets
- Unshielded (shielding retrofitable)
- Symmetrical design, identical front and rear

Delivery comprises (in kit form)

Item	Qty	Description
1	2	Side panel, Al, passivated
2	2	Side trim, Al, visible surface powder coated, RAL 9006
3	2	Rear trim, Zn die-cast, powder coated, RAL 7016
3a	2	Front trim, Zn die-cast, powder coated, RAL 7016
3b	2	Front handle, Al die-cast, powder coated, RAL 7016
3c	2	19" mounting angle, Al die-cast, powder coated, RAL 7016
4	4	Horizontal rail, Al, visible surface powder coated, RAL 7016
11	2	Top cover and base cover, Al, internal surface conductive, visible surface powder coated, RAL 9006, with GND/earthing tag, base cover with vent slots
12	4	Case foot, PC, black, with anti-slip protection
13	1	Assembly kit

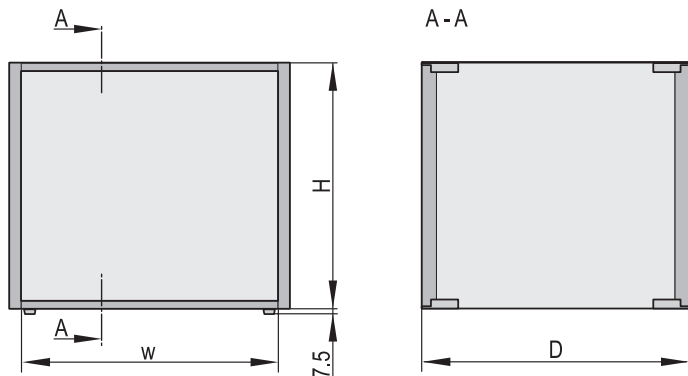
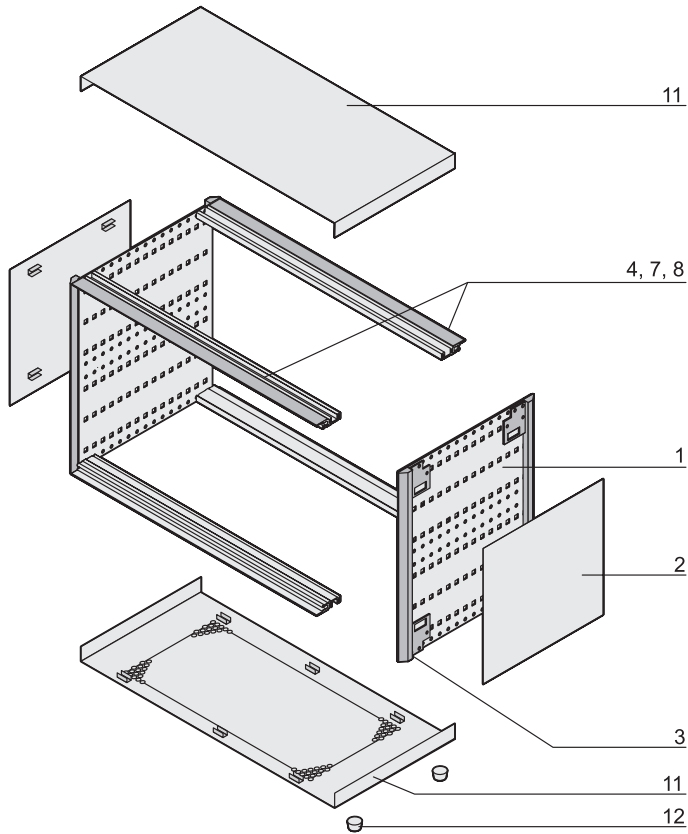
3a, 3b or 3c depending on selection

Note

- Order information, see following page



For further information www.schroff.biz/oneclick
oneClick code = Order no.

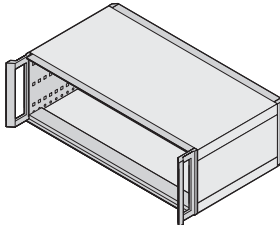
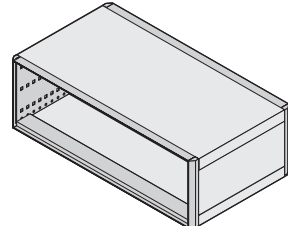
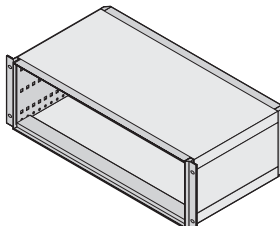


01802051



Desk-top cases - *ratio*pac PRO

Order Information

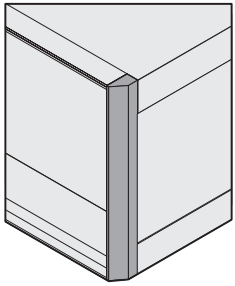
	Width W HP	Depth D mm	Case height H									
			2 U	3 U	4 U	5 U	6 U					
			Order no.	Order no.	Order no.	Order no.	Order no.					
						Side panel classification (1 U - 3 U - 1 U) (3 U - 2 U)						
						<table border="1" style="margin: auto;"> <tr><td style="width: 20px; height: 20px;">1</td></tr> <tr><td style="width: 20px; height: 20px;">3</td></tr> <tr><td style="width: 20px; height: 20px;">1</td></tr> </table>	1	3	1	<table border="1" style="margin: auto;"> <tr><td style="width: 20px; height: 20px;">3</td></tr> <tr><td style="width: 20px; height: 20px;">2</td></tr> </table>	3	2
1												
3												
1												
3												
2												
With front handle  RPPR6630	28	255.5		24571-702	-	-	-	-				
	28	315.5		24571-705	-	-	-	-				
	42	255.5		24571-714	24571-762	-	-	-				
	42	315.5		24571-717	24571-765	-	-	24571-813				
	42	375.5		-	24571-766	-	-	24571-814				
	63	255.5		24571-726	-	-	-	-				
	63	315.5		24571-729	24571-777	-	-	24571-825				
	63	375.5		24571-730	24571-778	24572-241	24572-385	24571-826				
	84	255.5		24571-738	-	-	-	-				
	84	315.5		24571-741	24571-789	24572-252	24572-396	24571-837				
	84	375.5		24571-742	24571-790	24572-253	24572-397	24571-838				
84	435.5		24571-743	24571-791	24572-254	24572-398	24571-839					
84	495.5		24571-744	-	-	-	24571-840					
With bezel  RPPR6629	28	255.5	24572-500	24571-002	-	-	-	-				
	28	315.5	24572-503	24571-005	-	-	-	-				
	42	255.5	24572-510	24571-014	24571-062	-	-	-				
	42	315.5	24572-513	24571-017	24571-065	-	-	24571-113				
	42	255.5	-	-	24571-066	-	-	24571-114				
	63	255.5	24572-520	24571-026	-	-	-	-				
	63	315.5	24572-523	24571-029	24571-077	-	-	24571-125				
	63	375.5	24572-524	24571-030	24571-078	24572-145	24572-289	24571-126				
	84	255.5	24572-530	24571-038	-	-	-	-				
	84	315.5	24572-533	24571-041	24571-089	24572-156	24572-300	24571-137				
	84	375.5	24572-534	24571-042	24571-090	24572-157	24572-301	24571-138				
84	435.5	24572-535	24571-043	24571-091	24572-158	24572-302	24571-139					
84	495.5	-	24571-044	-	-	-	24571-140					
With 19" mounting bracket  RPPR6631	84	255.5	24572-570	24571-438	24571-486	-	-	-				
	84	315.5	24572-573	24571-441	24571-489	-	-	24571-537				
	84	375.5	24572-574	24571-442	24571-490	24572-205	24572-349	24571-538				
	84	435.5	24572-575	24571-443	24571-491	24572-206	24572-350	24571-539				
	84	495.5	-	-	-	-	-	24571-540				

Note

- Dimensions marked with "-" are available on request, as well as other widths and depths
- Dimensions, see page 5.7
- Components, see page 5.15

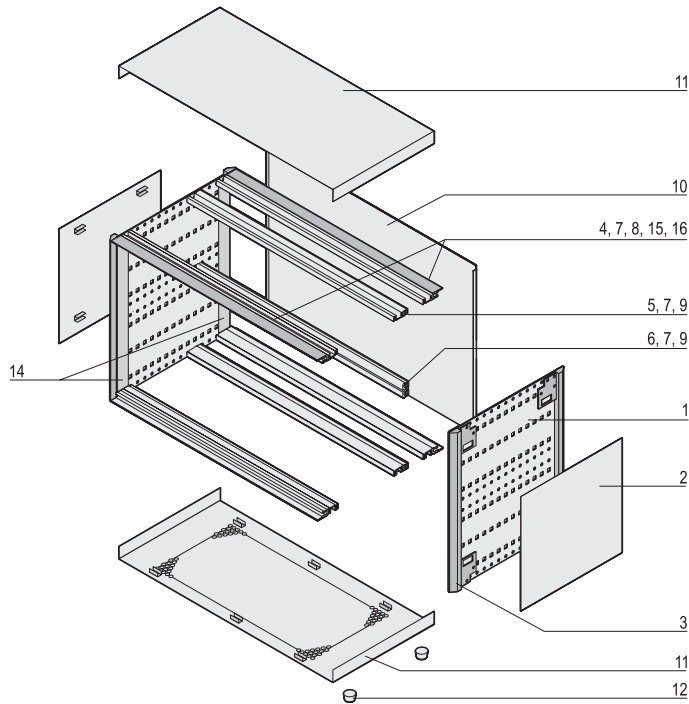
Desk-top cases - *ratiopac*PRO

ratiopacPRO complete case



Bezel

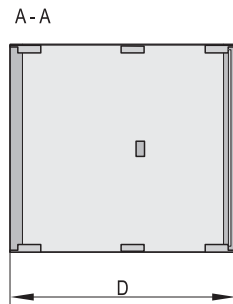
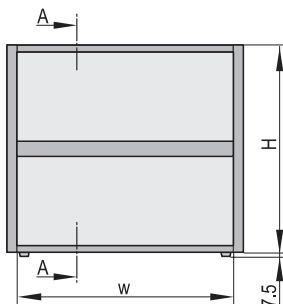
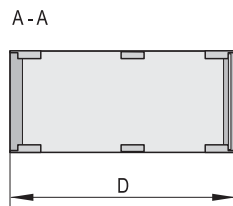
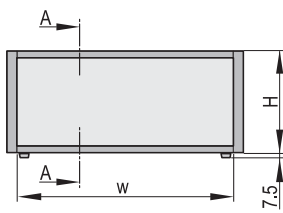
01805050



- Desk-top enclosure with bezel
- Unshielded or EMC shielded
- Symmetrical design, identical front and rear
- Threaded insert, perforated strip, shielding components pre-mounted, prepared for backplane assembly with insulation strips

Delivery comprises (in kit form)

Item	Qty		Description
	w/o EMC	with EMC	
1	2	2	Side panel, Al, passivated
2	2	2	Side plate, visible surface RAL 9006
3	4	4	Cover, Zn die-cast, RAL 7016, pre-assembled only for EMC version
4	4	4	Horizontal rail, Al, visible surface RAL 7016
5	2	2	Rear horizontal rail, Al
6	1	1	Centre horizontal rail (only for 6 U), Al
7a	6	6	3 U: threaded inserts, St, pre-assembled, for indirect backplane assembly with insulation strips
7b	8	8	6 U: threaded inserts, St, pre-assembled, for indirect backplane assembly with insulation strips
8	-	4	Perforated strip, Al, 1 mm, pre-assembled
9	4	4	Insulation strip, PBT UL-94 V-0
10	1	1	Rear panel with perforation, Al, 2.5 mm
11	2	2	Top and base cover, Al, internal surface conductive, visible surface RAL 9006, with GND/earthing tag, base with vent slots
12	4	4	Case foot, PC, black, anti-slip protection
14	-	1	Contact strip for side panel, pre-assembled (kit)
15	-	1	Contact strip for cover plate, pre-assembled (kit)
16	-	4	Contact strip for front panel - horizontal rails
-	1	1	GND/earthing kit
-	1	1	Assembly kit



01802050

Order Information

Height H	Width w	Depth D	Unshielded	EMC shielded
			Order no.	Order no.
3	28	255.5	24572-001	24572-050
3	42	255.5	24572-002	24572-051
3	42	315.5	24572-003	24572-052
3	63	315.5	24572-004	24572-053
3	84	315.5	24572-005	24572-054
3	84	375.5	24572-006	24572-055
3	84	435.5	24572-007	24572-056
6	42	315.5	24572-015	24572-064
6	63	315.5	24572-016	24572-065
6	84	315.5	24572-017	24572-066
6	84	375.5	24572-018	24572-067
6	84	435.5	24572-019	24572-068

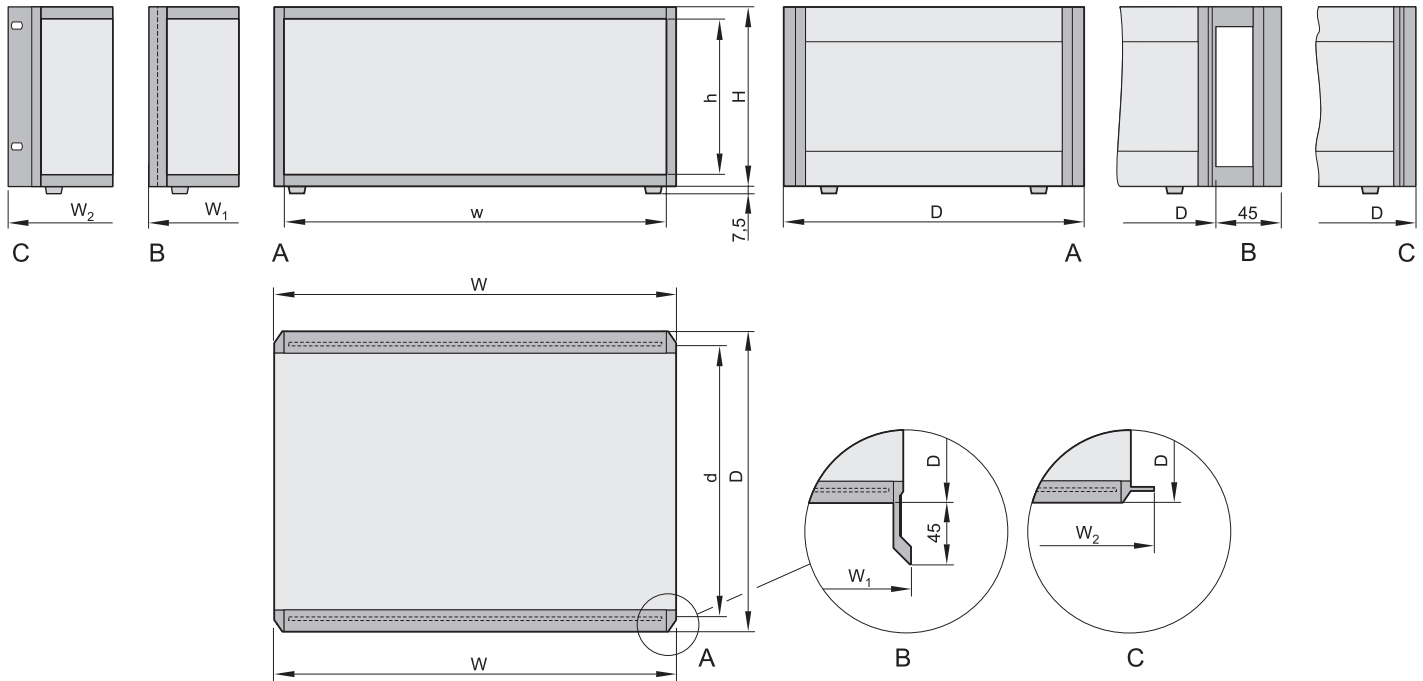
Note

- Dimensions, see page 5.7
- Components, see page 5.15
- Front handle and 19" mounting angle, see page 5.21



Desk-top cases - *ratio*pacPRO

Dimensions *ratio*pacPRO



A = cover, B = front handle, C = 19" mounting angle

rppr6637

Dimensions table *ratio*pacPRO

Height H		h	HP	Width				Usable depth d									
U	mm	mm		W	W1	W2	w	235		295		355		415		475	
			mm	mm	mm	mm	mm	D mm	d mm	D mm	d mm	D mm	d mm	D mm	d mm	D mm	d mm
2	88,1	67,9	28	164,42	177,62	198,12	142,82	255.5	235.5	315.5	295.5	375.5	355.5	435.5	415.5	495.5	475.5
2	88,1	67,9	42	235.54	248,74	269,24	213.94	255.5	235.5	315.5	295.5	375.5	355.5	435.5	415.5	495.5	475.5
2	88,1	67,9	63	342,42	355,42	375,92	320.62	255.5	235.5	315.5	295.5	375.5	355.5	435.5	415.5	495.5	475.5
2	88,1	67,9	84	448,90	462,10	482,60	427.30	255.5	235.5	315.5	295.5	375.5	355.5	435.5	415.5	495.5	475.5
3	132.55	112.35	28	164,42	177,62	198,12	142,82	255.5	235.5	315.5	295.5	375.5	355.5	435.5	415.5	495.5	475.5
3	132.55	112.35	42	235.54	248,74	269,24	213.94	255.5	235.5	315.5	295.5	375.5	355.5	435.5	415.5	495.5	475.5
3	132.55	112.35	63	342,42	355,42	375,92	320.62	255.5	235.5	315.5	295.5	375.5	355.5	435.5	415.5	495.5	475.5
3	132.55	112.35	84	448,90	462,10	482,60	427.30	255.5	235.5	315.5	295.5	375.5	355.5	435.5	415.5	495.5	475.5
4	177.00	156,80	42	235.54	248,74	269,24	213.94	255.5	235.5	315.5	295.5	375.5	355.5	435.5	415.5	495.5	475.5
4	177.00	156,80	63	342,42	355,42	375,92	320.62	255.5	235.5	315.5	295.5	375.5	355.5	435.5	415.5	495.5	475.5
4	177.00	156,80	84	448,90	462,10	482,60	427.30	255.5	235.5	315.5	295.5	375.5	355.5	435.5	415.5	495.5	475.5
5	221.45	201,25	28	164,42	177,62	198,12	142,82	255.5	235.5	315.5	295.5	375.5	355.5	435.5	415.5	495.5	475.5
5	221.45	201,25	42	235.54	248,74	269,24	213.94	255.5	235.5	315.5	295.5	375.5	355.5	435.5	415.5	495.5	475.5
5	221.45	201,25	63	342,42	355,42	375,92	320.62	255.5	235.5	315.5	295.5	375.5	355.5	435.5	415.5	495.5	475.5
5	221.45	201,25	84	448,90	462,10	482,60	427.30	255.5	235.5	315.5	295.5	375.5	355.5	435.5	415.5	495.5	475.5
6	265.90	245.70	42	235.54	248,74	269,24	213.94	255.5	235.5	315.5	295.5	375.5	355.5	435.5	415.5	495.5	475.5
6	265.90	245.70	63	342,42	355,42	375,92	320.62	255.5	235.5	315.5	295.5	375.5	355.5	435.5	415.5	495.5	475.5
6	265.90	245.70	84	448,90	462,10	482,60	427.30	255.5	235.5	315.5	295.5	375.5	355.5	435.5	415.5	495.5	475.5

Desk-top cases - *ratiopac*PRO

ratiopacPRO tower 3 and 4 U width



06802001

- Mounting space 3 or 4 U, 84 HP, depth 475 mm
- Case on the basis of ratiopacPRO

Delivery comprises (in kit form)

Item	Qty	Description
1	2	Side cover with GND/earthing tag, Al, visible surface powder coated, internal surface conductive, RAL 9006
2	4	Horizontal rail, Al, visible surface powder coated, RAL 7016
3	4	Bezel, Zn die-cast, RAL 7016
6	1	Top cover, Al, visible surface powder coated, RAL 9006
7	2	Case foot, Al, powder coated, RAL 7016, with anti-slip protection
8	1	Assembly kit

Order Information

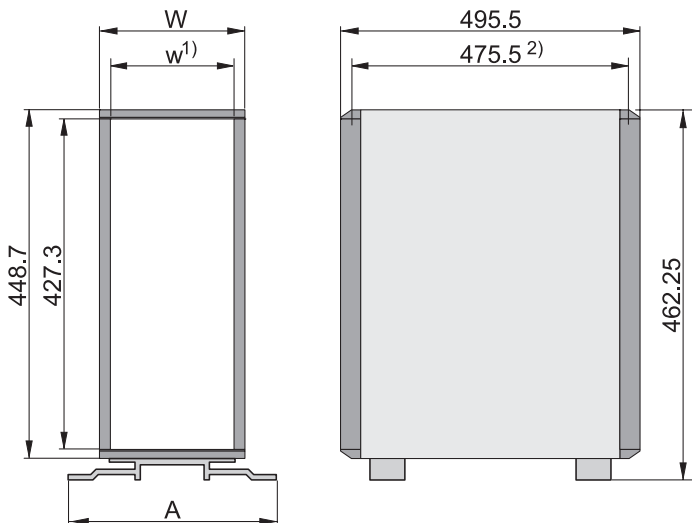
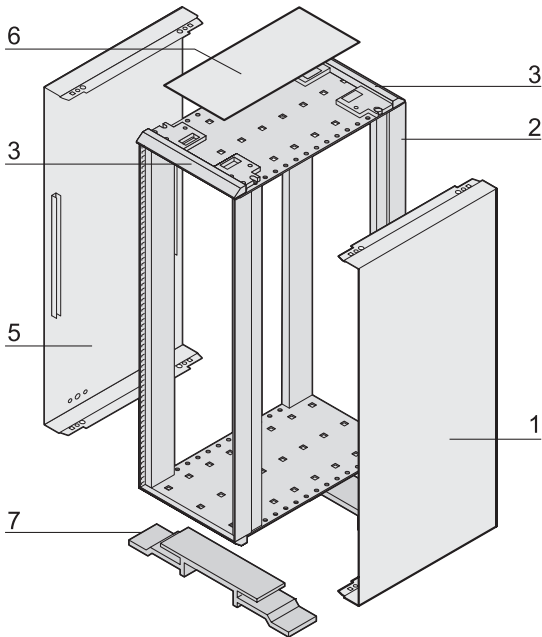
Width U	Width A mm	Width W mm	Width w mm	Order no.
3	177	132.55	112.35	24571-390
4	221.45	177	156.8	24571-395

Note

- Components, see page 5.15



For further information www.schroff.biz/oneclick
oneClick code = Order no.



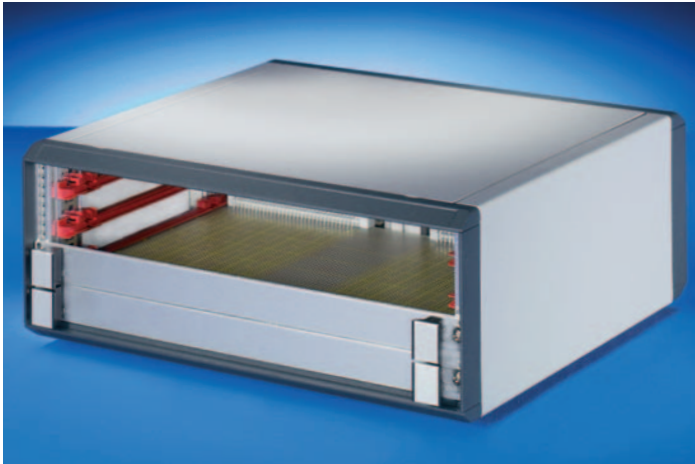
01802054

- 1) = open space between the horizontal rails
2) = max. mounting depth



Desk-top cases - *ratiopac*PRO

ratiopacPRO small case

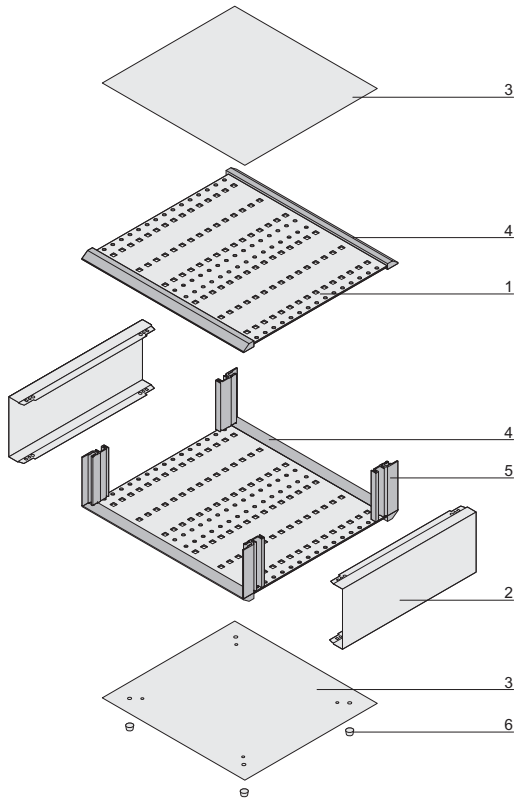


06802004

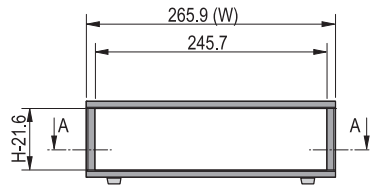
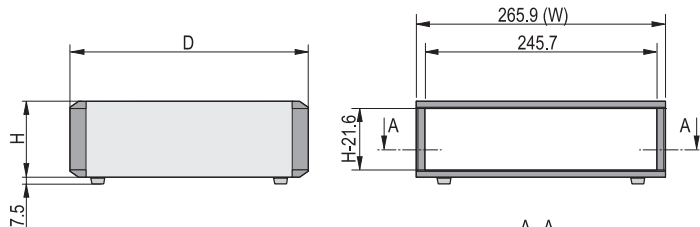
- Symmetrical design, identical front and rear
- Board space according to IEC 60297-3-101
- EMC shielding retrofittable
- Suitable for extractor handle according to IEEE 1101.10/11
- Invisible screws, cover can be removed without tools

Delivery comprises (assembled)

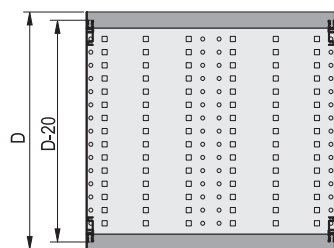
Item	Qty	Description
1	2	Assembly plate at bottom / top, Al, passivated
2	2	Side cover, Al, internal surface conductive, visible surface powder coated, RAL 9006, with GND/earthing tag
3	2	Top and base cover, Al, internal surface conductive, visible surface powder coated, RAL 9006
4	4	Bezel, Zn die-cast, powder coated, RAL 7016
5	4	Horizontal rail, Al, visible surface powder coated, RAL 7016
6	4	Case foot, PC, black, with anti-slip protection
7	2	Rear horizontal rail, L-ST light (4 retention screws)
8	6	Threaded insert M2,5, St, 4 x assembled at item 5
9	2	Insulation strip, PBT UL 94 V-0 grey



06803050



A-A



06803051

Order Information

Case height H	Usable height	Width W	Depth D	Order no.
mm	HP	U	mm	
42.5	4	6	255.5	24572-100
42.5	4	6	315.5	24572-101
62.8	8	6	255.5	24572-102
62.8	8	6	315.5	24572-103
83.1	12	6	255.5	24572-104
83.1	12	6	315.5	24572-105
103.5	16	6	255.5	24572-106
103.5	16	6	315.5	24572-107

Note

- Components, see page 5.15

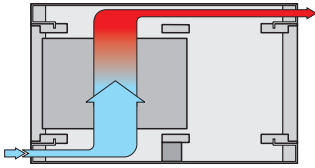


For further information www.schroff.biz/oneclick
oneClick code = Order no.

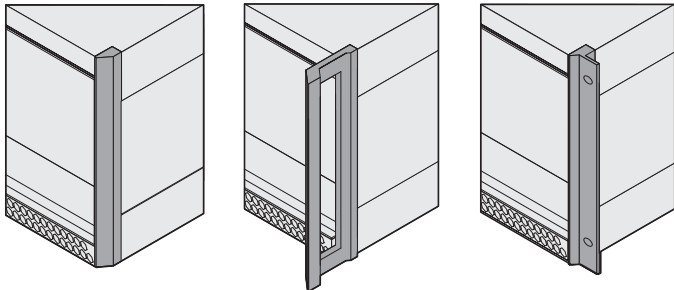


Desk-top cases - *ratiopac*PRO air

ratiopacPRO air case



06801005



Bezel

Front handle

19" bracket

018050550180505601805057

- The case has 2 x 1/2 U spaces for ventilation
- Available in three versions:
 - with bezel
 - with front handle
 - with 19" bracket
- Unshielded (shielding retrofittable)
- Symmetrical design, identical front and rear

Delivery comprises (in kit form)

Item	Qty	Description
1	2	Side panel, Al, passivated
2	2	Side cover, Al, visible surface, powder coated, RAL 9006
3	2	Rear cover, Zn die-cast, powder coated, RAL 7016
3a	2	Front cover, Zn die-cast, powder coated, RAL 7016
3b	2	Front handle, Al die-cast, powder coated, RAL 7016
3c	2	19" mounting angle, Al die-cast, powder coated, RAL 7016
4	4	Horizontal rail, Al, visible surface powder coated, RAL 7016
11	2	Top cover and base cover, Al, internal surface conductive, visible surface powder coated, RAL 9006, with GND/earthing tag, top cover and base cover with vent slots
12	4	Case foot, PC, black, with anti-slip protection
13	2	Filter mat
14	1	Assembly kit

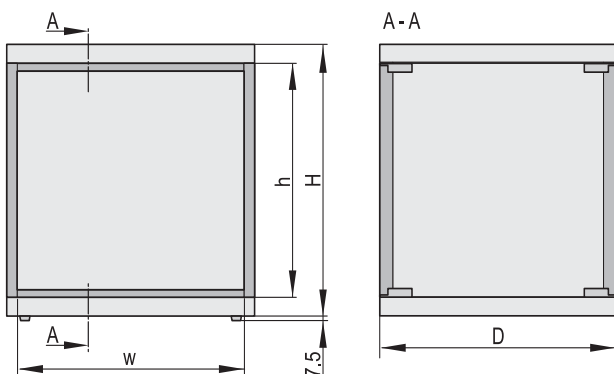
3a, 3b or 3c depending on selection



For further information www.schroff.biz/oneclick
oneClick code = Order no.

Note

- Order information, see following page

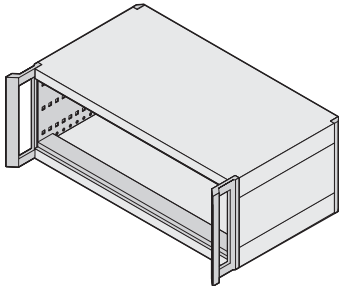
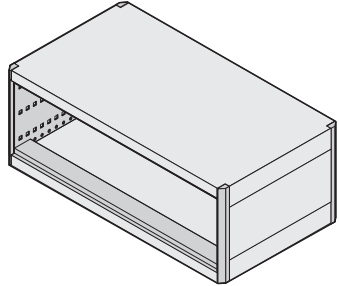
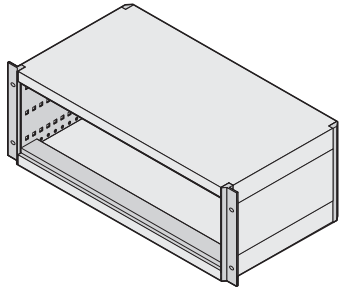


01802053



Desk-top cases - *ratio*pac PRO air

Order Information

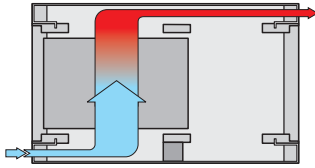
	Width w	Depth D	Case height H		
			4 U	5 U	7 U
			Board height h		
HP	mm	3 U Order no.	4 U Order no.	6 U Order no.	
With front handle  01805056	28	255.5	24571-846	-	-
	28	315.5	24571-849	-	-
	42	255.5	24571-858	-	-
	42	315.5	24571-861	24571-909	24571-957
	42	375.5	24571-862	24571-910	24571-958
	42	255.5	24571-870	-	-
	63	315.5	24571-873	24571-921	24571-969
	63	375.5	24571-874	24571-922	24571-970
	63	435.5	-	24571-923	-
	84	255.5	24571-882	-	-
	84	315.5	24571-885	24571-933	24571-981
	84	375.5	24571-886	24571-934	24571-982
	84	435.5	24571-887	24571-935	24571-983
	84	495.5	24571-888	-	24571-984
With bezel  01805055	28	255.5	24571-146	-	-
	28	315.5	24571-149	-	-
	42	255.5	24571-158	-	-
	42	315.5	24571-161	24571-209	24571-257
	42	375.5	24571-162	24571-210	24571-258
	63	255.5	24571-170	-	-
	63	315.5	24571-173	24571-221	24571-269
	63	375.5	24571-174	24571-222	24571-270
	63	435.5	-	24571-223	-
	84	255.5	24571-182	-	-
	84	315.5	24571-185	24571-233	24571-281
	84	375.5	24571-186	24571-234	24571-282
	84	435.5	24571-187	24571-235	24571-283
	84	495.5	24571-188	-	24571-284
With 19" mounting bracket  01805057	84	255.5	24571-582	-	-
	84	315.5	24571-585	24571-633	24571-681
	84	375.5	24571-586	24571-634	24571-682
	84	435.5	24571-587	24571-635	24571-683
	84	495.5	-	24571-636	24571-684

Note

- Dimensions marked with "-" are available on request, as well as other widths and depths
- Dimensions, see page 5.13
- Components, see page 5.15

Desk-top cases - *ratiopacPRO* air

ratiopacPRO air complete case

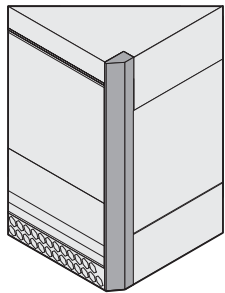


06801005

- The case has 2 x 1/2 U spaces for ventilation
- Desk-top enclosure with bezel, unshielded or EMC shielded
- Symmetrical design, identical front and rear
- Threaded insert, perforated strip, shielding components are pre-mounted, prepared for backplane assembly with insulation strips

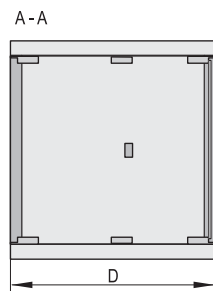
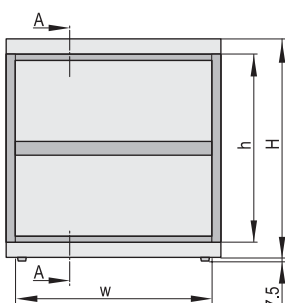
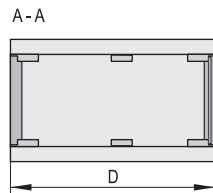
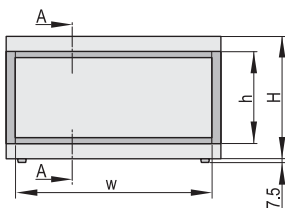
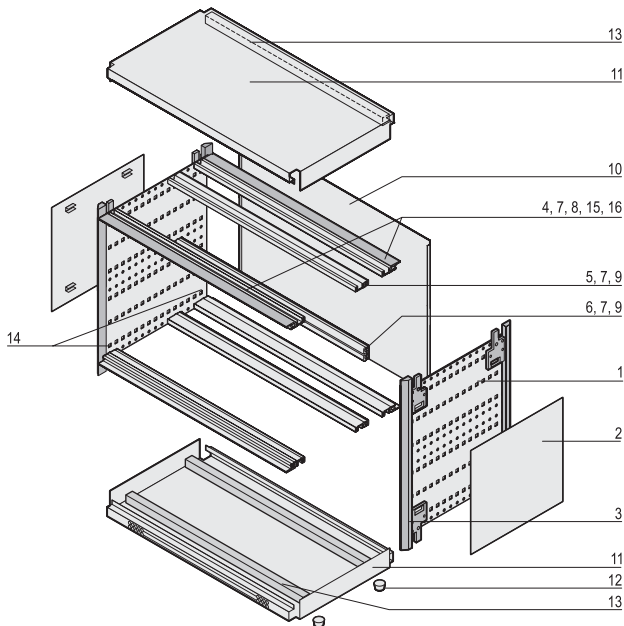
Delivery comprises (in kit form)

Item	Qty		Description
	without EMC	with EMC	
1	2	2	Side panel, Al, passivated
2	2	2	Side cover, visible surface RAL 9006
3	4	4	Cover, Zn die-cast, RAL 7016, pre-assembled only for EMC version
4	4	4	Horizontal rail, Al, visible surface RAL 7016
5	2	2	Rear horizontal rail, Al
6	1	1	Horizontal rail (only for 6 U), Al
7a	6	6	3 U: threaded insert, St, pre-assembled, for indirect backplane assembly with insulation strips
7b	8	8	6 U: threaded insert, St, pre-assembled, for indirect backplane assembly with insulation strips
8	-	4	Perforated strip, pre-assembled
9	4	4	Insulation strip, PBT UL 94 V-0
10	1	1	Rear panel, Al 2,5 mm
11	2	2	Top cover and base cover, Al, internal surface conductive, visible surface RAL 9006, with GND/earthing tag, top cover and base cover with vent slots
12	4	4	Case foot, PC, black, anti-slip protection
13	2	2	Filter mat
14	-	1	Contact strip for side panel, pre-assembled (kit)
15	-	1	Contact strip for cover plate, pre-assembled (kit)
16	-	4	Contact strip for front panel - horizontal rails
-	1	1	GND/earthing kit
-	1	1	Assembly kit
-	1	1	Air baffle



Bezel

01805055



01802052

Order Information

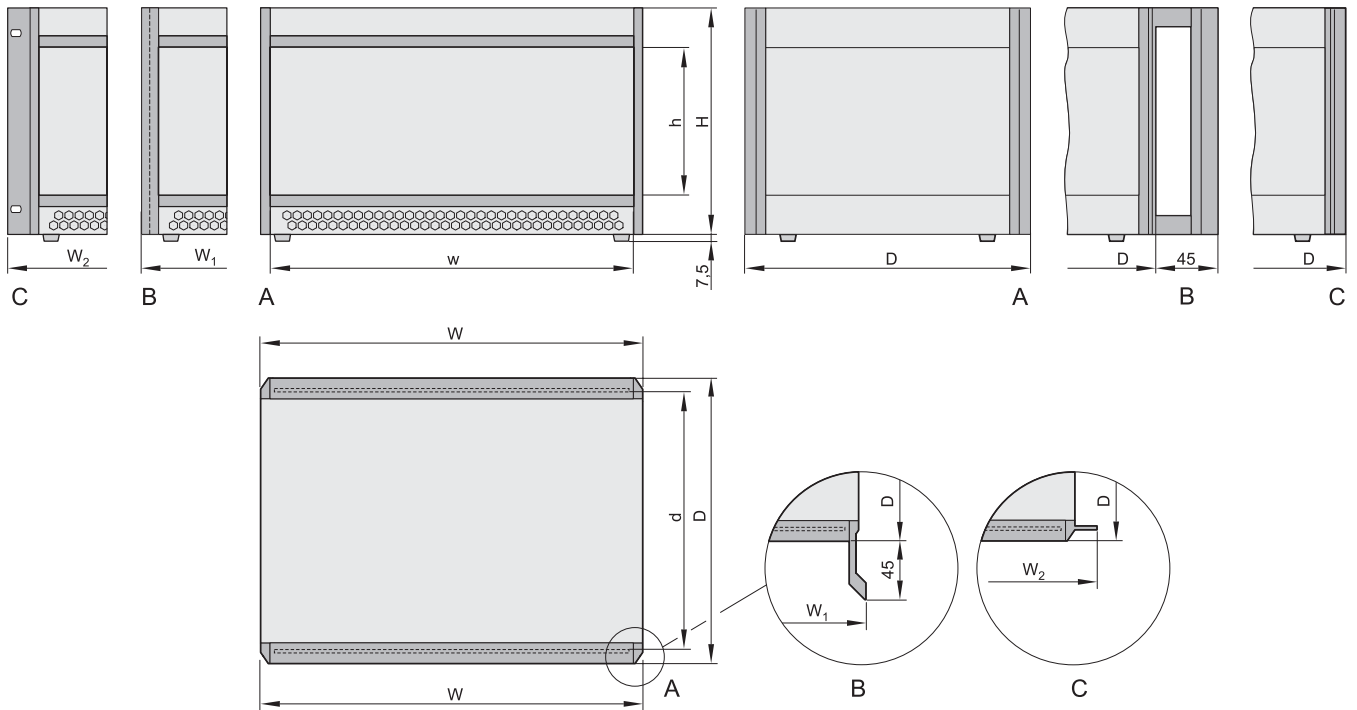
Case height H	Board height h	Width w	Depth D	Unshielded	EMC shielded
				Order no.	Order no.
4	3	28	255.5	24572-025	24572-074
4	3	42	255.5	24572-026	24572-075
4	3	42	315.5	24572-027	24572-076
4	3	63	315.5	24572-028	24572-077
4	3	84	315.5	24572-029	24572-078
4	3	84	375.5	24572-030	24572-079
4	3	84	435.5	24572-031	24572-080
7	6	42	315.5	24572-040	24572-088
7	6	63	315.5	24572-041	24572-089
7	6	84	315.5	24572-042	24572-090
7	6	84	375.5	24572-043	24572-091
7	6	84	435.5	24572-044	24572-092

Note

- Dimensions, see page 5.13
- Components, see page 5.15
- Front handle and 19" mounting angle, see page 5.21

Desk-top cases - *ratio*pacPRO air

Dimensions *ratio*pacPRO air



01805058

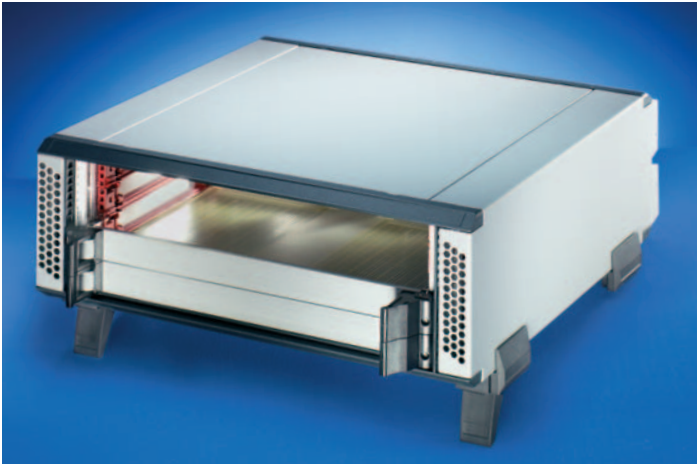
A = cover, B = front handle, C = 19" mounting angle

Dimensions table *ratio*pacPRO air

Height H		h	HP	Width				Usable depth d									
U	mm	mm		W	W1	W2	w	235		295		355		415		475	
			mm	mm	mm	mm	mm	D mm	d mm	D mm	d mm	D mm	d mm	D mm	d mm	D mm	d mm
4	177.00	112.35	28	164,42	177,62	198,12	142.82	255.5	235.5	315.5	295.5	375.5	355.5	435.5	415.5	495.5	475.5
4	177.00	112.35	42	235.54	248,74	269,24	213.94	255.5	235.5	315.5	295.5	375.5	355.5	435.5	415.5	495.5	475.5
4	177.00	112.35	63	342,22	355,42	375,92	320.62	255.5	235.5	315.5	295.5	375.5	355.5	435.5	415.5	495.5	475.5
4	177.00	112.35	84	448,90	462,10	482,60	427.30	255.5	235.5	315.5	295.5	375.5	355.5	435.5	415.5	495.5	475.5
5	221.45	156,80	42	235.54	248,74	269,24	213.94	255.5	235.5	315.5	295.5	375.5	355.5	435.5	415.5	495.5	475.5
5	221.45	156,80	63	342,22	355,42	375,92	320.62	255.5	235.5	315.5	295.5	375.5	355.5	435.5	415.5	495.5	475.5
5	221.45	156,80	84	448,70	427,30	427,30	427.30	255.5	235.5	315.5	295.5	375.5	355.5	435.5	415.5	495.5	475.5
7	310.35	245,70	42	235.54	248,74	269,24	213.94	255.5	235.5	315.5	295.5	375.5	355.5	435.5	415.5	495.5	475.5
7	310.35	245,70	63	342,22	355,42	375,92	320.62	255.5	235.5	315.5	295.5	375.5	355.5	435.5	415.5	495.5	475.5
7	310.35	245,70	84	448,70	427,30	427,30	427.30	255.5	235.5	315.5	295.5	375.5	355.5	435.5	415.5	495.5	475.5

Desk-top cases - *ratiopac*PRO air

ratiopacPRO air small case

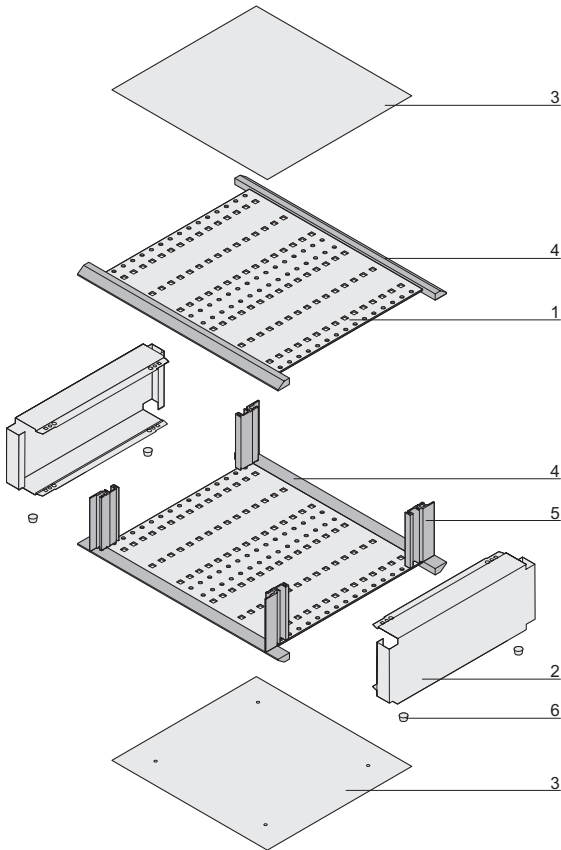


06802003

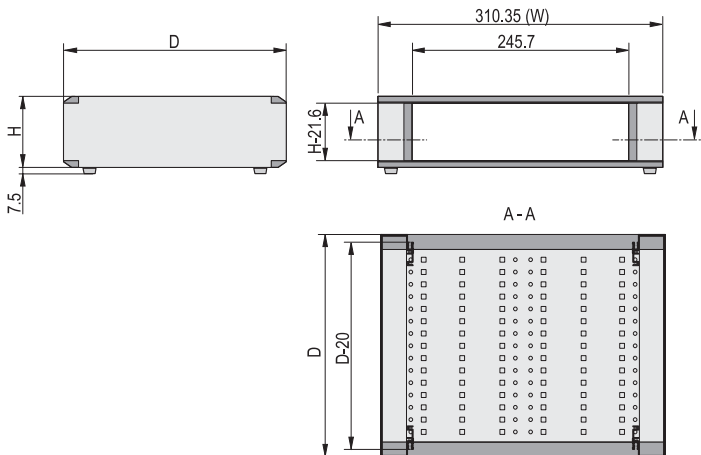
- Lateral space for ventilation
- Symmetrical design, identical front and rear
- Board mounting according to IEC 60297-3-101
- EMC shielding retrofittable
- Suitable for extractor handle according to IEEE 1101.10/11
- Invisible screws, cover can be removed without tools

Delivery comprises (assembled)

Item	Qty	Description
1	2	Assembly plate bottom / top, Al, passivated
2	2	Side cover with perforation (from height of 8 HP), Al, internal surface conductive, visible surface powder coated, RAL 9006, with GND/earthing tag
3	2	Top cover and base cover, Al, internal surface conductive, visible surface powder coated, RAL 9006
4	4	Bezel, Zn die-cast, powder coated, RAL 7016
5	4	Horizontal rail, Al, visible surface powder coated, RAL 7016
6	4	Case foot, assembled, PC, black, with anti-slip protection
7	2	Rear horizontal rail, L-ST light (4 retention screws)
8	6	Threaded insert M2,5, St, 4 x assembled at item 5
9	2	Insulation strip, PBT UL 94 V-0 grey



06803052



06803053

Order Information

Case height H	Usable height	Width W	Depth D	Order no.
mm	HP	U	mm	
42.5	4	7	255.5	24572-108
42.5	4	7	315.5	24572-109
62.8	8	7	255.5	24572-110
62.8	8	7	315.5	24572-111
83.1	12	7	255.5	24572-112
83.1	12	7	315.5	24572-113
103.5	16	7	255.5	24572-114
103.5	16	7	315.5	24572-115

- Components, see page 5.15



For further information www.schroff.biz/oneclick
oneClick code = Order no.

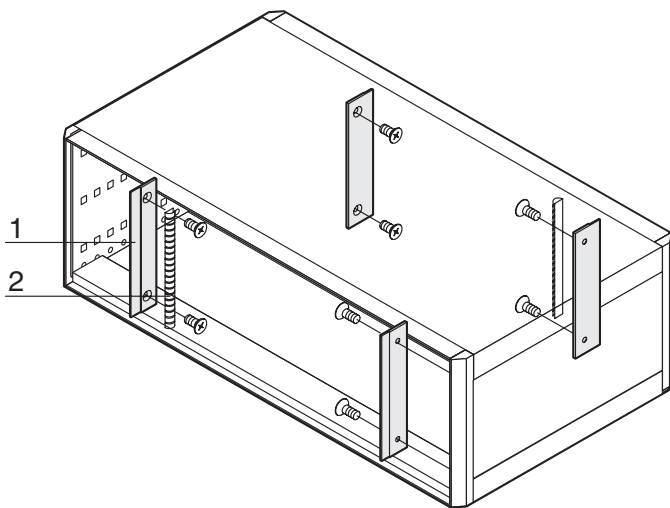


Desk-top cases - *ratio*pacPRO / -air

EMC gasketing for case

- Between front panel / rear panel and side panel
- Between side panel and cover plate
- Between front panel / rear panel and horizontal rail
- Between horizontal rails

EMC gasketing front panel / rear panel - side panel



rppr6639

- For vertical EMC shielding between shielded plug-in units and side panel
- Sufficient for one case

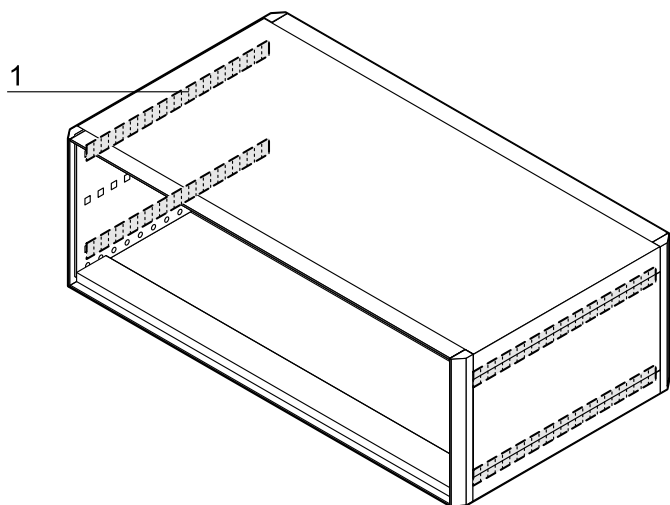
Delivery comprises (kit)

Item	Qty	Description
1	4	EMC contact strip, Al extrusion
2	2	EMC profile seal, core: foam, sleeve: textile cladding with CuNi coating
3	1	Assembly kit

Order Information

Height	Order no.
U	
2	24571-334
3	24571-331
4	24571-332
5	24571-335
6	24571-333

EMC gasketing side panel - cover plate



RPPR6640

- For horizontal EMC shielding between side panels and cover plates

Delivery comprises (kit)

Item	Qty	Description
1	4	Contact strip, stainless steel

Order Information

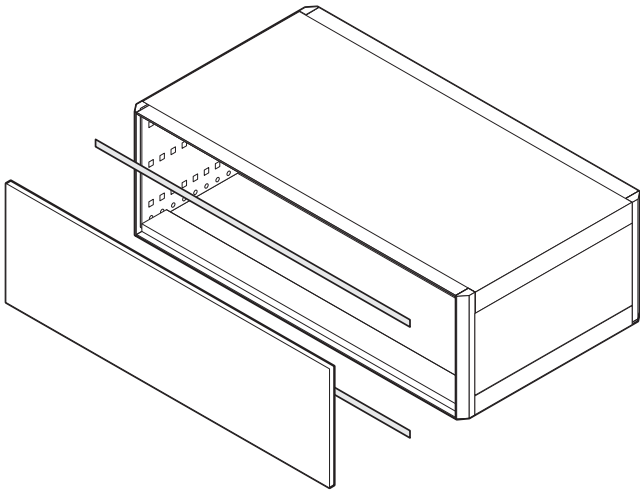
Depth	Order no.
mm	
255	24571-338
315	24571-339
375	24571-340
435	24571-341
495	24571-342



For further information www.schroff.biz/oneclick
oneClick code = Order no.

Desk-top cases - *ratiopac*PRO / -air

EMC gasketing front panel / rear panel - horizontal rail



rppr6739

- The contact strip is clipped onto the horizontal rail and sets up the contact to front panel or rear panel
- Can be used for rear horizontal rails (H-VT, L-VT) and all front horizontal rails

Delivery comprises

Item	Qty	Description
1	10/100	EMC gasketing, stainless steel

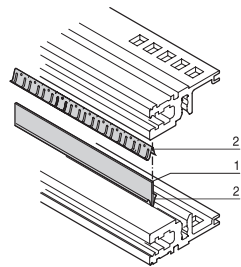
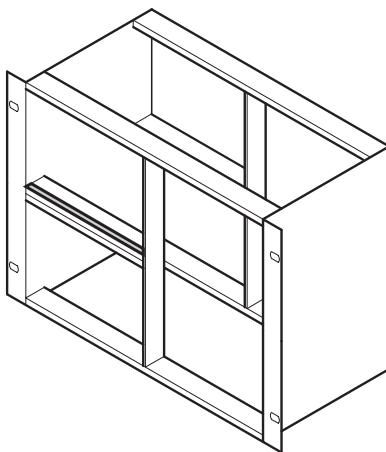
Order Information

Width HP	Width mm	Qty / PU	Order no.
28	131.78	10	24560-229
42	202.9	10	24560-231
63	304.8	10	24560-233
84	416.3	10	24560-235
84	416.3	100	24560-236



For further information www.schroff.biz/oneclick
oneClick code = Order no.

EMC gasketing horizontal rails



BPA46548BZA45877

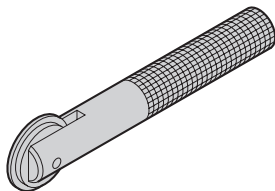
- For shielding of two horizontal rails located directly above each other with vertical division of the mounting height

Delivery comprises

Item	Qty	Description
1	1	Cover strip, Al, 1 mm
2	2	Contact spring, stainless steel

Order Information

Length HP	Order no.
20	24562-520
28	24562-528
40	24562-540
42	24562-542
63	24562-563
84	24562-584
Assembly tool for EMC contact strips (horizontal rail), 1 piece	24560-271



Assembly tool

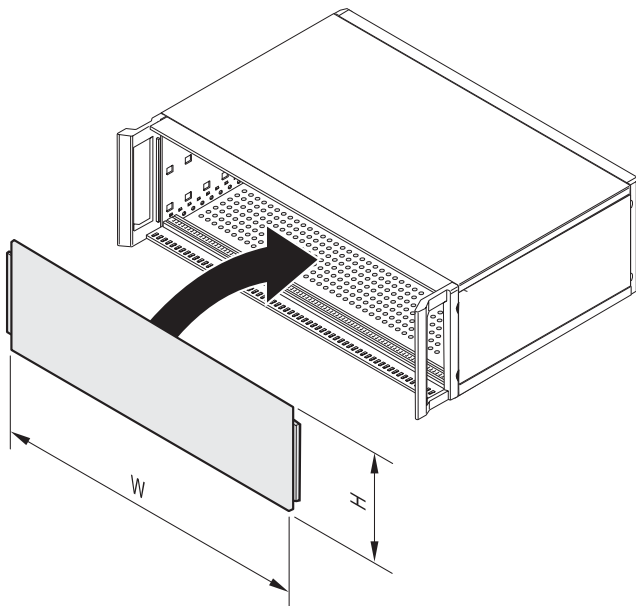
aza45937



For further information www.schroff.biz/oneclick
oneClick code = Order no.

Desk-top cases - *ratio*pacPRO / -air

Front panel, clipped



06801502

- Front panels can also be used as rear panels
- Assembly without screws
- Unshielded
- Clipped between side panel and mounting parts like cover, 19" mounting bracket or handle

Delivery comprises

Item	Qty	Description
1	1	Front panel, Al, 2.5 mm, front: anodised, rear: colour passivated

Order Information

For case height	Height H	For case width	Width W	Order no.
U	mm	HP	mm	
2	84	28	142.82	34571-617
2	84	42	213.94	34571-618
2	84	63	320.62	34571-619
2	84	84	427.3	34571-620
3	128.4	28	142.82	34571-605
3	128.4	42	213.94	34571-606
3	128.4	63	320.62	34571-607
3	128.4	84	427.3	34571-608
4	172.85	28	142.82	34571-609
4	172.85	42	213.94	34571-610
4	172.85	63	320.62	34571-611
4	172.85	84	427.3	34571-612
5	210	28	142.82	34571-621
5	210	42	213.94	34571-622
5	210	63	320.62	34571-623
5	210	84	427.3	34571-624
6	261.75	28	142.82	34571-613
6	261.75	42	213.94	34571-614
6	261.75	63	320.62	34571-615
6	261.75	84	427.3	34571-616

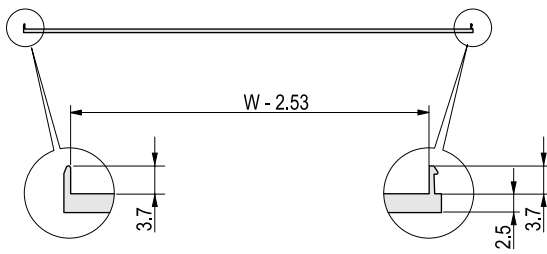
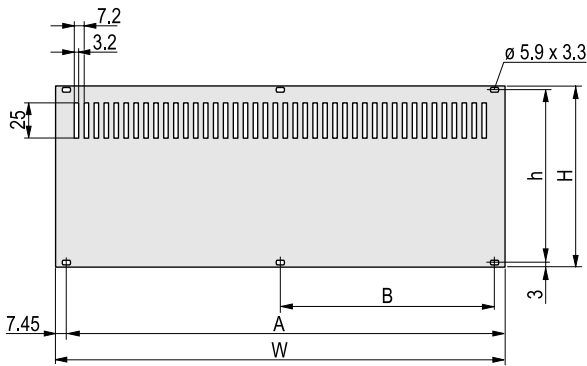
- Front panels, bolted-on, see chapter Front Panels, Plug-in units



For further information www.schroff.biz/oneclick
oneClick code = Order no.

Desk-top cases - *ratio*pacPRO / -air

Rear panel with perforation



Shielded

01802055



Unshielded

01804050

- Shielded and unshielded versions available
- For mounting on horizontal rails
- Shielded with EMC profile sealing

Delivery comprises (in kit form)

Item	Qty	Description
1	1	Rear panel shielded with bracket for EMC profile sealing, Al, 2.5 mm, front: anodised, rear: colour passivated

Order Information

Height U	Height H	Width W		B	h	Shielded	
		mm	HP			Order no.	Order no.
2	88.9	28	141.9	-	80	30849-007	20848-679
2	88.9	42	213.02	101.6	80	30849-014	20848-680
2	88.9	63	319.7	157.48	80	30849-015	20848-681
2	88.9	84	426.28	208.3	80	30849-016	20848-682
3	128.4	28	141.9	-	122.4	30849-008	20848-633
3	128.4	42	213.02	101.6	122.4	30849-021	20848-634
3	128.4	63	319.7	157.48	122.4	30849-022	20848-635
3	128.4	84	426.28	208.3	122.4	30849-023	20848-636
4	172.85	28	141.9	-	166.9	30849-009	20848-656
4	172.85	42	213.02	101.6	166.9	30849-028	20848-657
4	172.85	63	319.7	157.48	166.9	30849-029	20848-658
4	172.85	84	426.38	208.3	166.9	30849-030	20848-659
5	220	28	141.9	-	115	30849-011	20848-744
5	220	42	213.02	101.6	115	30849-171	20848-745
5	220	63	319.7	157.48	115	30849-172	20848-746
5	220	84	426.28	208.3	115	30849-173	20848-747
6	261.8	28	141.9	-	255.8	30849-010	20848-640
6	261.8	42	213.02	101.6	255.8	30849-035	20848-641
6	261.8	63	319.7	157.48	255.8	30849-036	20848-642
6	261.8	84	426.38	208.3	255.8	30849-037	20848-643

- Please order EMC profile gasket for shielded rear panel separately
- Assembly kit, see chapter Front panels, Plug-in units
- Rear panels / front panels without perforation, see chapter Front panels, Plug-in units

EMC sealing

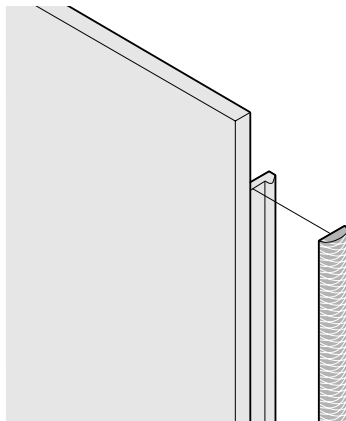
Delivery comprises (kit)

Item	Qty	Description
1	10 / 100	EMC profile sealing, core: foam, sleeve: textile cladding with CuNi surface coating

Order Information

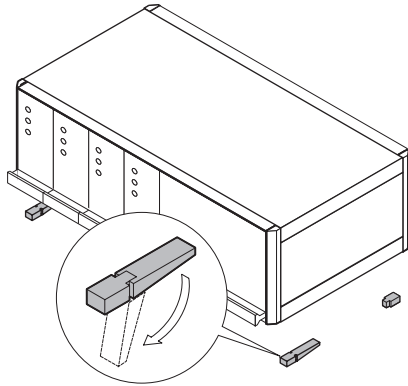
Height U	Height mm	Qty / PU	Order no.
2	52	10	21101-857
3	97	100	21101-854
3	97	10	21101-853
5	187	10	21101-978
6	232	100	21101-856
6	232	10	21101-855

04602054



Desk-top cases - *ratio*pacPRO / -air

Plastic tip-up foot and stacking aid



- Can be used instead of standard feet
- Carrying capacity: 25 kg per foot
- Mounting holes in bottom of casing

Delivery comprises ((kit))

Item	Qty	Description
1	4	Foot, PA UL 94 V-0
2	4	Anti-slip protection, TPE
3	2	Tip-up, PA UL 94 V-0
4	1	Assembly kit

Order Information

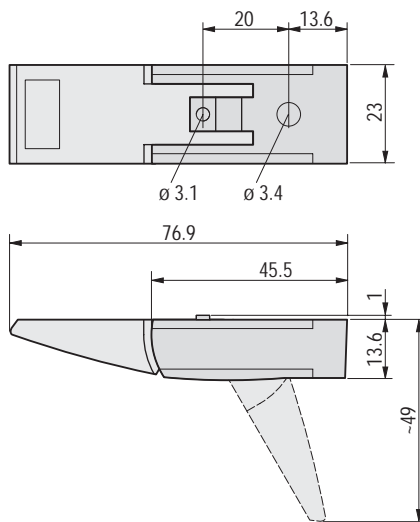
Description	Order no.
Tip-up feet, silver, similar to RAL 9006	20603-001
Tip-up feet, anthracite, similar to RAL 7016	20603-002
Stacking aid , silver, similar to RAL 9006, PA UL 94 V-0, PU 4 pieces	20603-004
Stacking aid , anthracite, similar to RAL 7016, PA UL 94 V-0, PU 4 pieces	20603-003

Note

- For assembly of stacking aid case tip-up feet are necessary

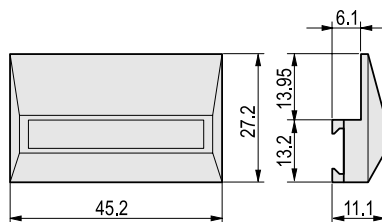
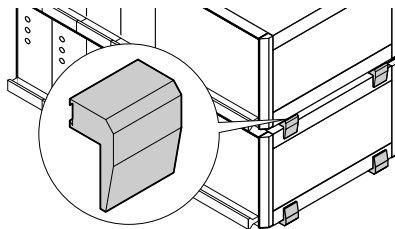


For further information www.schroff.biz/oneclick
oneClick code = Order no.



01802075

Tip-up foot

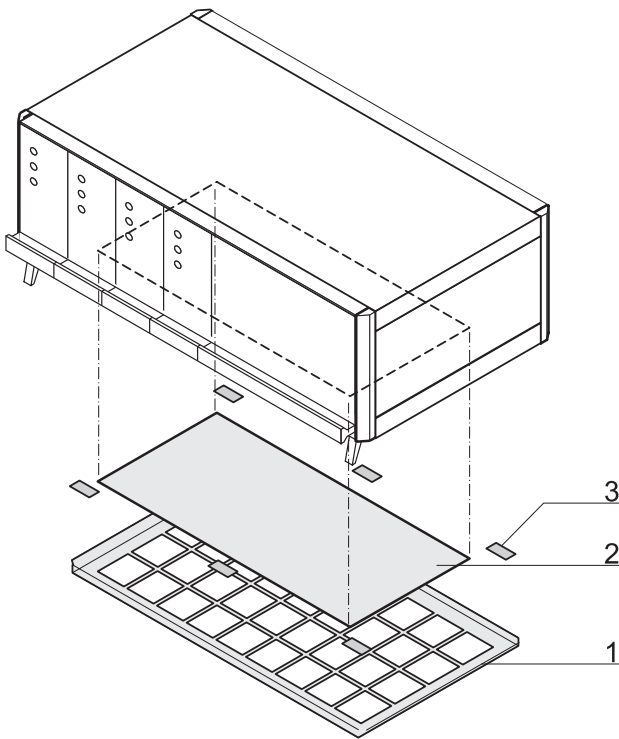


01802076

Stacking aid / Design element

Desk-top cases - *ratiopacPRO* / -air

Air filter for ratiopacPRO air



- Subsequent assembly without reworking and tools
- Filter replacement without opening the case, IP protection retained

Delivery comprises (kit)

Item	Qty	Description
1	1	Filter holder, Al, 1 mm, powder coated RAL 9006
2	1	Filter mat, synthetic fibre
3	1	Set of Velcro-type fasteners

Order Information

For case width	Air filter Order no.	Spare air filter Order no.
HP	24571-325	64571-033
28	24571-326	64571-034
42	24571-327	64571-035
63	24571-328	64571-036
84	24571-328	64571-036

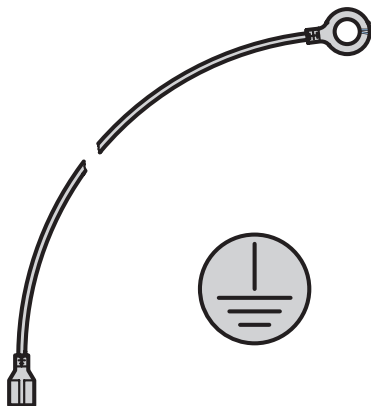
- To optimise the air supply, plastic tip-up feet must be fitted to the case, see page 5.19

RPPR6658



For further information www.schroff.biz/oneclick
oneClick code = Order no.

Earthing kit



- Establishes protective earth connections between side panels, base and cover plates and rear panel
- The earth connections comply with:
 - EN 50178
 - EN 60950
 - EN 61010-1
 - EN 61010-1A2

Order Information

Description	Order no.
GND/earthing kit, 1 kit, Cu wire 1.5 mm ² , PVC sheeting	24571-380

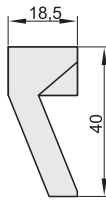
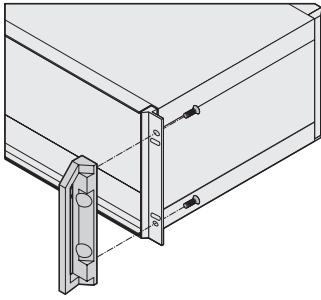
AZA43284



For further information www.schroff.biz/oneclick
oneClick code = Order no.

Desk-top cases - *ratiopacPRO* / -air

Front handle for 19" mounting angle



- The front handles are screwed on the 19" mounting angles of the ratiopacPRO case
- Retrofittable
- Load-carrying capacity 35 kg

Delivery comprises

Item	Qty	Description
1	2	Front handle with assembly kit, Al die-cast, powder coated RAL 7016

Order Information

For case height U	Description	A mm	Order no.
3	ratiopacPRO	129	24571-349
4	ratiopacPRO	173.5	24571-350
6	ratiopacPRO	262.4	24571-351
4-air	ratiopacPRO air	129	24571-350
5-air	ratiopacPRO air	173.5	24571-349
7-air	ratiopacPRO air	173.5	24571-350

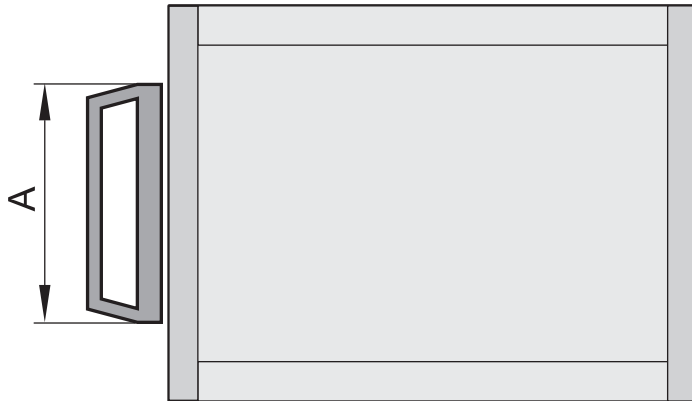
ratiopacPRO air 4 U, ratiopacPRO 3 U up to 6 U

06801501



ratiopacPRO air 5 U and 7 U

06801007



06801008

Note

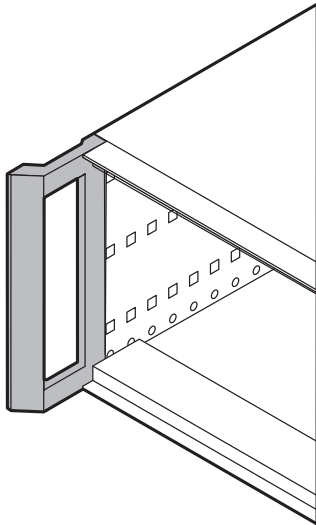
- Further handles on request



For further information www.schroff.biz/oneclick
oneClick code = Order no.

Desk-top cases - *ratiopacPRO* / -air

Front handle



RPPR6651

- For assembly of front handle on case (conversion of case with bezel or 19" mounting angle)

Delivery comprises (kit)

Item	Qty	Description
1	2	Front handle, Al die-cast, powder coated RAL 7016

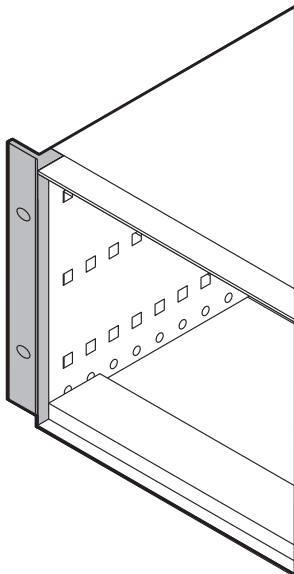
Order Information

Front handle for	Order no.
ratiopacPRO 3 U	24571-301
ratiopacPRO 4 U	24571-302
ratiopacPRO 5 U	24571-993
ratiopacPRO 6 U	24571-303
ratiopacPRO air 3/4 U	24571-304
ratiopacPRO air 4/5 U	24571-305
ratiopacPRO air 6/7 U	24571-306



For further information www.schroff.biz/oneclick
oneClick code = Order no.

19" mounting angle for conversion



RPPR6652

- For assembly of 19" mounting angle on case (conversion of case with bezel or front handle)

Delivery comprises (kit)

Qty	Description
2	19" mounting angle, Al die-cast, powder coated RAL 7016

Order Information

19" mounting angle	Order no.
ratiopacPRO 2 U	24571-994
ratiopacPRO 3 U	24571-295
ratiopacPRO 4 U	24571-296
ratiopacPRO 5 U	24571-992
ratiopacPRO 6 U	24571-297
ratiopacPRO air 4 U	24571-298
ratiopacPRO air 5 U	24571-299
ratiopacPRO air 7 U	24571-300

Note

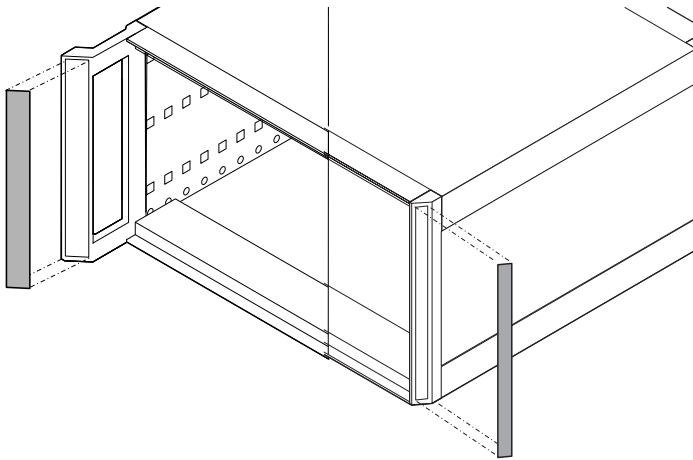
- Slide rails cannot be used for installation in cabinets and 19" cases



For further information www.schroff.biz/oneclick
oneClick code = Order no.

Desk-top cases - *ratio*pacPRO / -air

Coloured films for front handle and cover



0680152006801521

Delivery comprises

Quantity (films/sheets)	Handle height in U	Description
see Order Information		Polyester film 0.07 mm, with adhesive film, 9 mm x length (see Order Information)

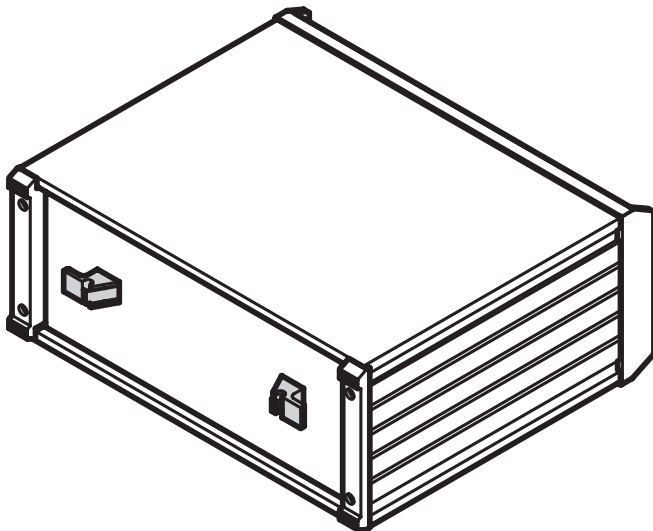
Order Information

Handle height U	Length mm	Qty / PU	Raspberry red RAL 3027 Order no.	Aluminium white RAL 9006 Order no.	Zinc yellow RAL 1018 Order no.
3	116.4	32	64571-043	64571-041	64571-042
4; 4air	160.8	16	64571-047	64571-045	64571-046
5, 5air	205.3	16	64571-051	64571-049	64571-050
6	245.7	16	64571-055	64571-053	64571-054
7, 7air	294.2	16	64571-059	64571-057	64571-058



For further information www.schroff.biz/oneclick
oneClick code = Order no.

Cable holder



ppa45107

Delivery comprises (kit)

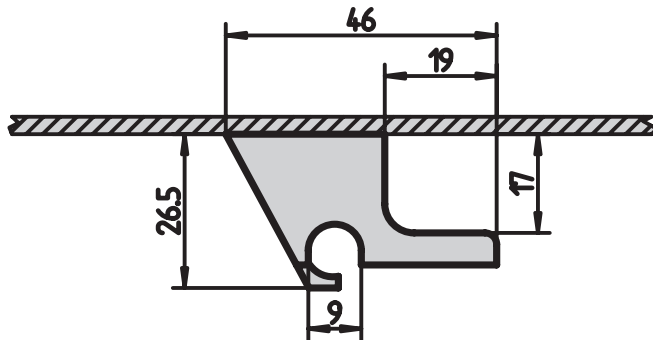
Item	Qty	Description
1	2	Cable holder, ABS, UL 94 V-0, RAL 7016, for cable between 8 mm and 12 mm
2	1	Drilling template for holes in rear panel for each cable holder
3	1	Assembly kit

Order Information

Description	Order no.
Cable holder	24575-800



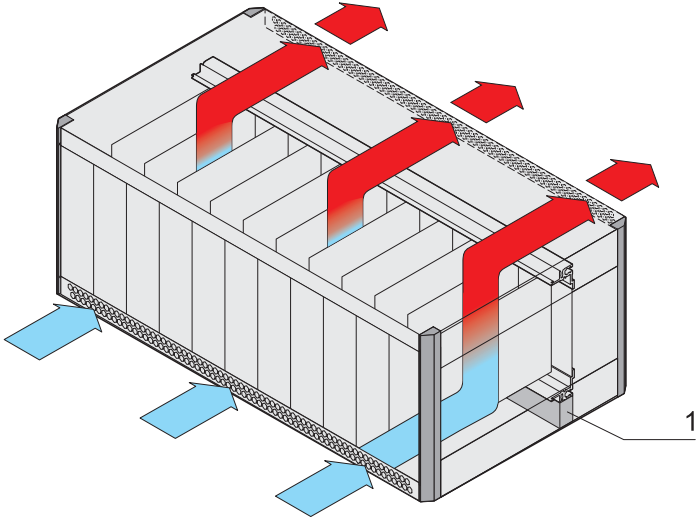
For further information www.schroff.biz/oneclick
oneClick code = Order no.



ppa45110

Desk-top cases - *ratiopacPRO* / -air

Air baffle for *ratiopacPRO* air



01805059

- The air baffle (item 1) closes the space (1/2 U) between rear horizontal rail and base cover

Delivery comprises (in kit form)

Item	Qty	Description
1	1	Air baffle: PE foam, self-adhesive, temperature range: -20 °C ... +120 °C

Order Information

For case width HP	Length mm	Order no.
42	218.4	20833-351
63	325.1	20833-352
84	431.8	20833-353

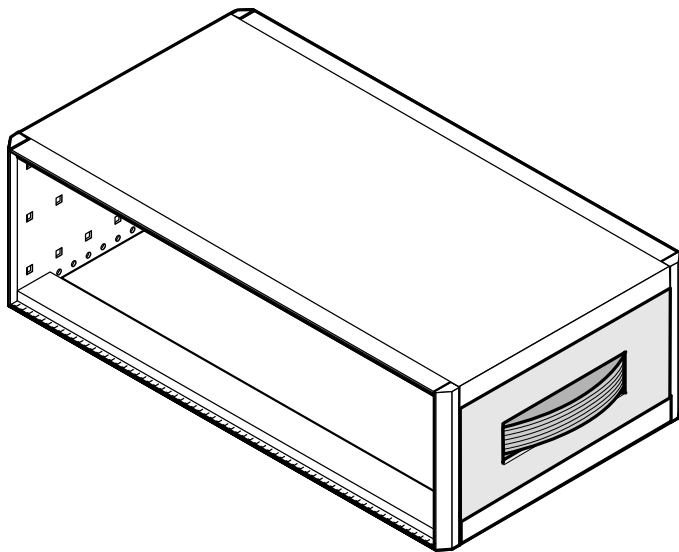
Note

- Fan rear panel available on request



For further information www.schroff.biz/oneclick
oneClick code = Order no.

Strap handle



06801515

- Retrofittable without mechanical reworking of the case
- Load-carrying capacity 20 kg

Delivery comprises (kit)

Item	Qty	Description
1	1	Handle, steel spring, plastic sheathed (flexible plastic), RAL 7016
2	1	Side panel, Al, visible surface powder coated, RAL 9006
3	2	Adaptor, Al die-cast
4	1	Assembly kit

Order Information

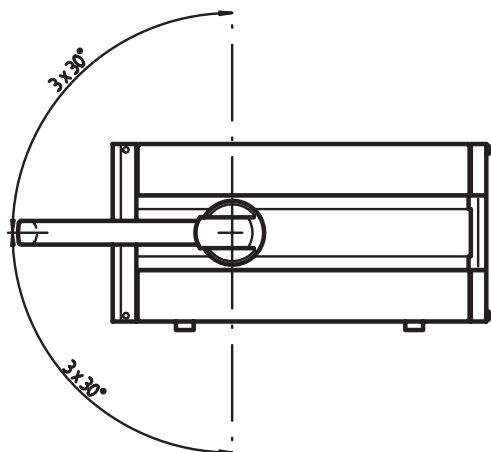
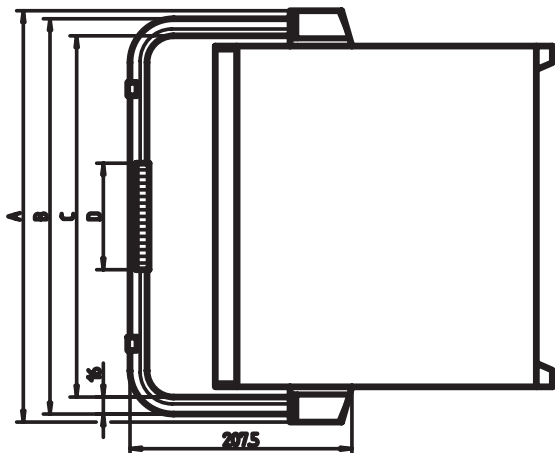
For case depth mm	For case height 3 U, 4 U air Order no.	For case height 4 U, 5 U air Order no.
255	24571-307	24571-313
315	24571-308	24571-314
375	24571-309	24571-315
435	24571-310	24571-316
495	24571-311	24571-317



For further information www.schroff.biz/oneclick
oneClick code = Order no.

Desk-top cases - *ratio*pac**PRO** / -air

Tip-up carrying handle



- Retrofittable without mechanical reworking of the case
- Adjustable in 30° grids
- Load-carrying capacity 30 kg

Delivery comprises (kit)

Item	Qty	Description
1	1	Carrying bar, Al extrusion, powder coated, RAL 9006
2	1	Handle shell, ABS, UL 94 V-0, RAL 7016
3	2	Tip-up protector, ABS, UL 94 V-0, RAL 7016
4	2	Notch device, Al die-cast
5	2	Cover caps, ABS, UL 94 V-0, RAL 7016

Order Information

For case height	For case width	For case depth	Tip-up carrying handle	Assembly kit
U	HP	mm	Order no.	Order no.
3, 4-air	42	255	24571-320	24571-352
3, 4-air	42	315	24571-320	24571-353
3, 4-air	42	375	24571-320	24571-354
3, 4-air	42	435	24571-320	24571-355
3, 4-air	42	495	24571-320	24571-356
3, 4-air	63	255	24571-321	24571-352
3, 4-air	63	315	24571-321	24571-353
3, 4-air	63	375	24571-321	24571-354
3, 4-air	63	435	24571-321	24571-355
3, 4-air	63	495	24571-321	24571-356
3, 4-air	84	255	24571-322	24571-352
3, 4-air	84	315	24571-322	24571-353
3, 4-air	84	375	24571-322	24571-354
3, 4-air	84	435	24571-322	24571-355
3, 4-air	84	495	24571-322	24571-356
4, 5-air	42	255	24571-320	24571-359
4, 5-air	42	315	24571-320	24571-360
4, 5-air	42	375	24571-320	24571-361
4, 5-air	42	435	24571-320	24571-362
4, 5-air	42	495	24571-320	24571-363
4, 5-air	63	255	24571-321	24571-359
4, 5-air	63	315	24571-321	24571-360
4, 5-air	63	375	24571-321	24571-361
4, 5-air	63	435	24571-321	24571-362
4, 5-air	63	495	24571-321	24571-363
4, 5-air	84	255	24571-322	24571-359
4, 5-air	84	315	24571-322	24571-360
4, 5-air	84	375	24571-322	24571-361
4, 5-air	84	435	24571-322	24571-362
4, 5-air	84	495	24571-322	24571-363

Note

- Not in conjunction with front handles for 4, 5-air U
- Please order assembly kit for tip-up carrying handle separately

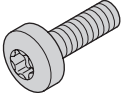


For further information www.schroff.biz/oneclick
oneClick code = Order no.

Desk-top cases - *ratiopac*PRO / -air


Torx pan head screws

Order Information

	Description	Application	Material	Dimension	Qty / PU	Order no.
 <small>AZA45923</small>	Torx pan head screw	For horizontal rail to side panel, with earthing function	St, zinc-plated	M4 × 14	100	24571-371
	Torx pan head screw	For horizontal rail to side panel, if guide rail bolted onto slot 1	St, zinc-plated	M4 × 10	100	24571-372

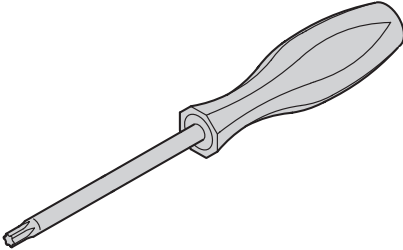
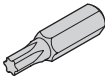
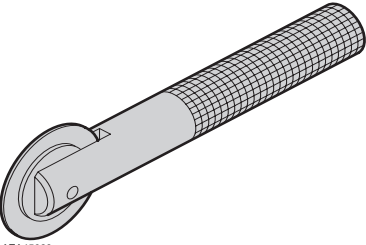
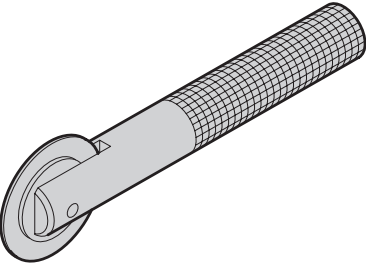
Nut

Order Information

	Description	Application	Material	Dimension	Qty / PU	Order no.
 <small>AZA45921</small>	Square nut	For mounting of components on side panels, contact strips, chassis plates	St, zinc-plated	M4	100	24560-140

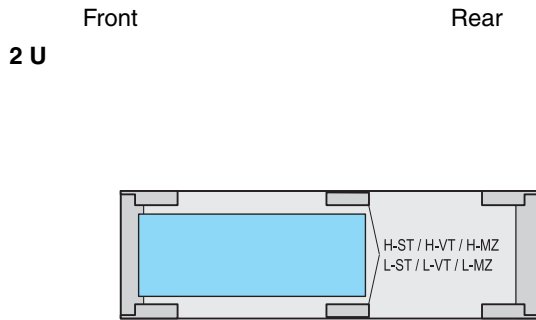
Assembly tool

Order Information

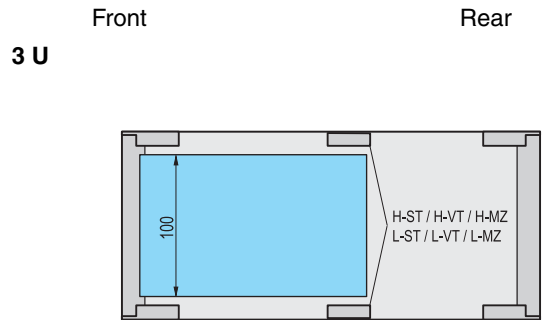
	Description	Application	Dimension	Qty / PU	Order no.
 <small>AZA45925</small>	Torx screwdriver	–	T8 × 60	1	64560-026
		–	T20 × 100	1	64560-027
 <small>AZA45924</small>	Torx bit for screwdriver	–	T8	1	64560-028
		–	T20	1	64560-029
 <small>AZA45938</small>	Assembly tool	Exclusively for installation of EMC contact strips on horizontal rail cover plates	–	1	24560-271
 <small>AZA45938</small>	Assembly tool	For front panels with slot, for assembly of EMC contact strips	–	1	24560-270

Desk-top cases - *ratio*pacPRO / -air

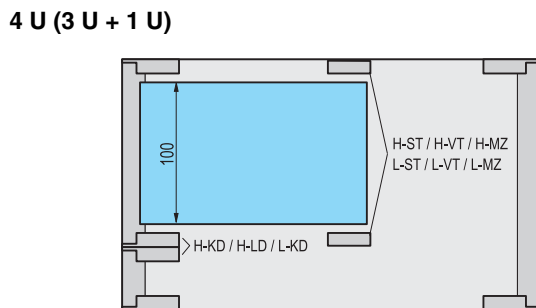
Mounting positions *ratio*pacPRO horizontal / central rails



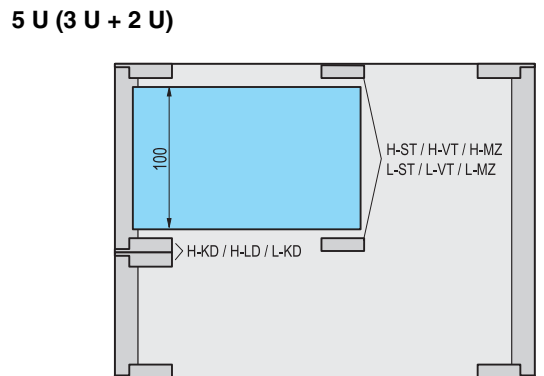
01805060



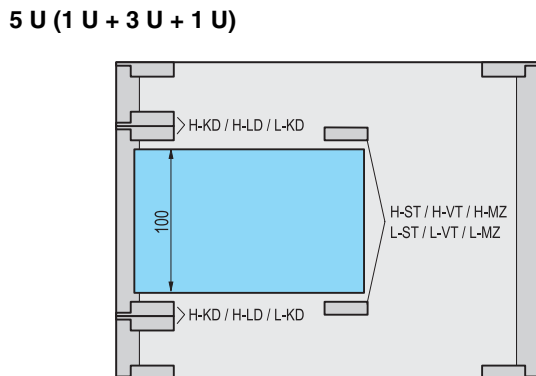
01802057



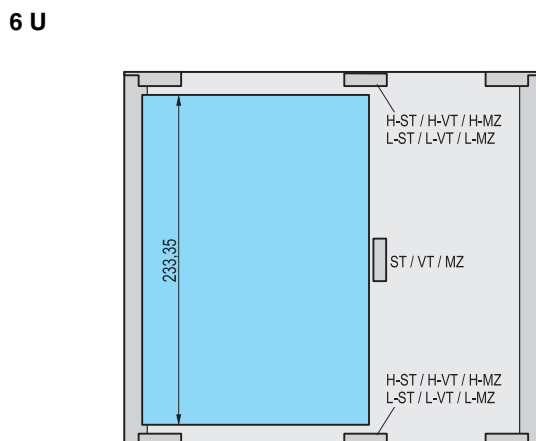
01802058



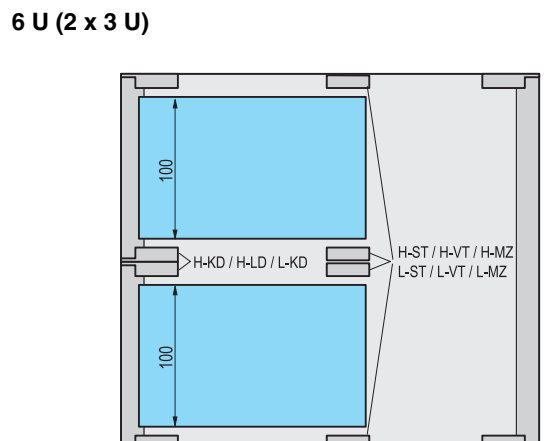
01805062



01805061



01802059

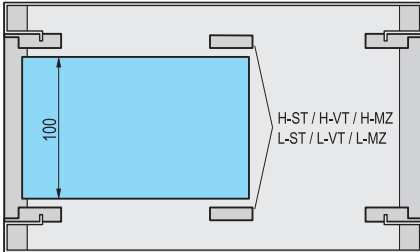


01802060

Desk-top cases - *ratiopac*PRO / -air

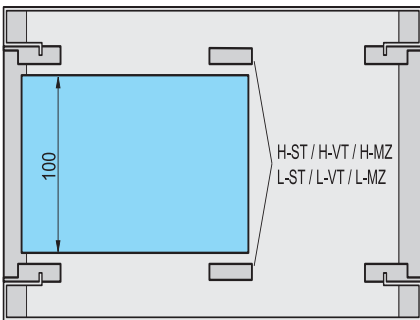
Mounting position *ratiopac*PRO air horizontal / central rails

Front Rear
4-air U (1/2 U + 3 U + 1/2 U)



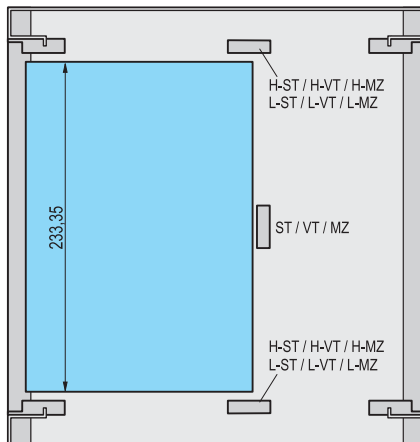
01802061

5-air U (1/2 U + 3 U + 1 U + 1/2 U)



01802062

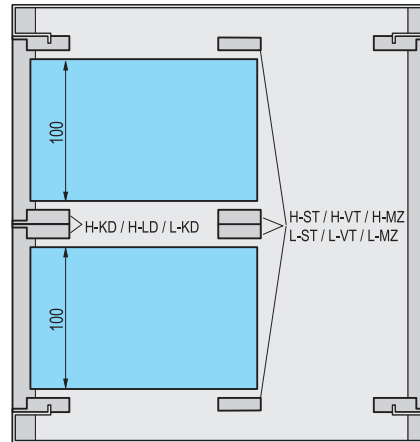
7-air U (1/2 U + 6 U + 1/2 U)



01802063

Front Rear

7-air U (1/2 U + 3 U + 3 U + 1/2 U)






01802064

Desk-top cases - *ratio*pac PRO

Front horizontal rails







Order Information

		Type L-KD light short lip	Type H-KD robust short lip	Type H-LD robust
For assembly at front top or bottom, with HP print > 28 HP, Al extrusion, finish anodised, contact surface conductive				
		06197007	06197008	06197009
		Standard front horizontal rail	For high mechanical demands	For CompactPCI, VME64x systems
Usable length HP	length mm	SPQ 1) 10 pieces	SPQ 1) 10 pieces	SPQ 1) 10 pieces
28	147.32	34560-128	34560-228	34560-328
42	218.44	34560-142	34560-242	34560-342
63	325.12	34560-163	34560-263	34560-363
84	431.8	34560-184	34560-284	34560-384
Torx pan head screw, 4 x 10		24571-372	24571-372	24571-372

1) Delivery may be in Standard Pack Quantity (SPQ). Please order the 'SPQ' quantity or a multiple. Pricing is per individual item

Rear horizontal rails

Order Information

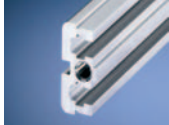
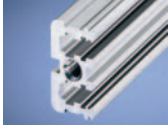
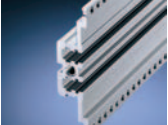

		Type L-ST light standard	Type H-ST robust standard	Type L-VT light + 3 mm	Type H-VT robust	Type L-MZ light, with Z-rail long lip	Type H-MZ robust with Z-rail
For assembly at rear top or bottom, with HP print > 28 HP, Al extrusion, finish anodised, contact surface conductive							
		06197010	06197011	BZA45782	06197009	06197014	06197015
		For indirect mounting of backplanes via insulation strip, order insulation strip separately	For indirect mounting of backplanes via insulation strip, order insulation strip separately	For direct backplane assembly	For CompactPCI, VME64x system	For direct mounting of connectors according to EN 60603-2 (DIN 41612)	For direct mounting of connectors according to EN 60603-2 (DIN 41612)
Usable length HP	Length mm	SPQ 1) 10 pieces	SPQ 1) 10 pieces	SPQ 1) 10 pieces	SPQ 1) 10 pieces	SPQ 1) 10 pieces	SPQ 1) 10 pieces
28	147.32	34560-428	34560-528	34560-628	34560-728	34560-828	34560-928
42	218.44	34560-442	34560-542	34560-642	34560-742	34560-842	34560-942
63	325.12	34560-463	34560-563	34560-663	34560-763	34560-863	34560-963
84	431.8	34560-484	34560-584	34560-684	34560-784	34560-884	34560-984
Torx pan head screw, 4 x 10		24571-372	24571-372	24571-372	24571-372	24571-372	24571-372

1) Delivery may be in Standard Pack Quantity (SPQ). Please order the 'SPQ' quantity or a multiple. Pricing is per individual item

Desk-top cases - *ratio*pac PRO

Rear horizontal rails for subracks 6 and 9 U

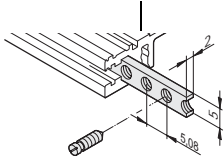
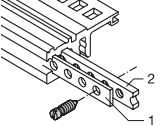
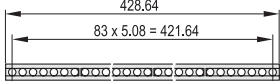
Order Information

		Type ST	Type VT, + 3 mm	Type MZ	Type AB
For installation between rear horizontal rail at top and bottom, Al extrusion, finish anodised					
		06197016	06197011	06197018	06197009
		For indirect mounting of backplanes via insulation strip, order insulation strip separately	For direct backplane assembly	For direct mounting of connectors according to EN 60603 (DIN 41612)	For CompactPCI at rear I/O-area and 3, 6 U assembly
Usable length HP	Length mm	SPQ 1) 10 pieces	SPQ 1) 10 pieces	SPQ 1) 10 pieces	SPQ 1) 10 pieces
28	147.32	34561-028	34561-128	34561-228	34561-528
42	218.44	34561-042	34561-142	34561-242	34561-542
63	325.12	34561-063	34561-163	34561-263	34561-563
84	431.8	34561-084	34561-184	34561-284	34561-584
Torx pan head screw, 4 x 10		24571-372	24571-372	24571-372	24571-372

1) Delivery may be in Standard Pack Quantity (SPQ). Please order the 'SPQ' quantity or a multiple. Pricing is per individual item

Threaded inserts, perforated strips, insulation strips

Order Information

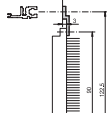
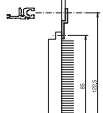
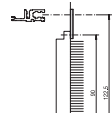
		Threaded inserts		Perforated strips Item 1		Insulation strips	
		 06103056 Required for assembly of front panels on horizontal rail; use collar screw 12.3 mm, see page 5.37		 BZA45853 For centring of shielded plug-in units, Al, 1 mm, please order grub screw for fixing separately		 BZ6749 For indirect mounting of backplanes	
Usable length HP	Length mm	M2,5 SPQ 1) 10 pieces	M3 SPQ 1) 10 pieces	Length mm	SPQ 1) 10 pieces	Length mm	SPQ 1) 10 pieces
28	147.32	34561-328	–	147.12	30845-197	144.2	30835-110
42	217.94	34561-342	–	218.24	30845-211	210.4	60817-118
63	324.62	34561-363	–	324.92	30845-232	316.88	30894-444
84	431.3	34561-384	34561-484	431.6	30845-253	428.64	60817-061
Grub screw M2,5 x 8, PU 100 pieces		21100-276	–		–		–
Grub screw M2,5 x 9, PU 100 pieces		–	–		21101-359		–
Grub screw M3 x 8, PU 100 pieces		–	21100-646		–		–

1) Delivery may be in Standard Pack Quantity (SPQ). Please order the 'SPQ' quantity or a multiple. Pricing is per individual item

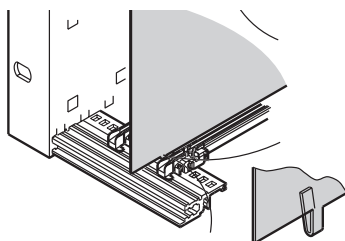
Desk-top cases - *ratio*pac PRO

Z-rails, perforated rails

Order Information

Usable length HP	Length mm	Z-rail		Perforated rail
		IEC 606032 DIN EN 41612	For connectors 31 pin, DIN41617	EN 60603-2, DIN 41612
		 BZA45849	 BZA45850	 BZA45848
		For assembly of connectors with ST horizontal rail; please order threaded inserts and screw separately	For assembly of connectors on ST; please order threaded inserts and screw for horizontal rail separately	For assembly of connectors on VT horizontal rail; please order threaded inserts and screw separately
		1 piece	1 piece	PU 4 pieces
28	142.24	30822-033	–	20822-049
42	213.36	30822-047	–	20822-050
60	304.8	30822-065	30819-783	20822-047
84	426.7	30822-089	30819-808	20822-048
Screw M2,5 x 7, PU 100 pieces		24560-147	24560-147	–
Screw M2,5 x 10, PU 100 pieces		–	–	24560-148

Divider plate

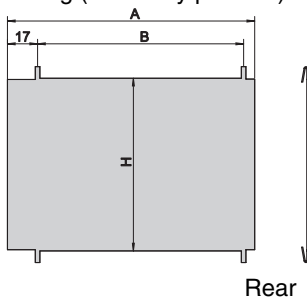


- Assembly by clipping into horizontal rails
- Space requirement on component side: 2.0 mm

Delivery comprises

Item	Qty	Description
1	1	Divider plate, 1 mm stainless steel

Stainless steel gasketing (assembly position)

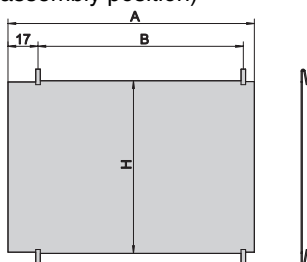


Front

Rear

BPA45912

Textile gasketing (assembly position)



Front

Rear

06105078

Order Information

Height	Depth	A	B	H	Order no.
U	mm	mm	mm	mm	
3	160	158.3	135	113.55	34562-761
3	220	218.3	195	113.55	34562-762
6	160	158.3	135	246.9	34562-763
6	220	218.3	195	246.9	34562-764

Note

- Subsequent installation of divider plate in pre-mounted subrack requires removal of the horizontal rails beforehand



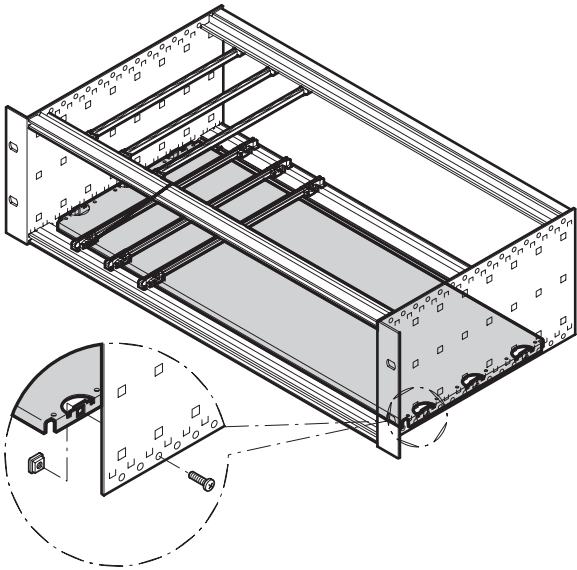
For further information www.schroff.biz/oneclick
oneClick code = Order no.



Desk-top cases - *ratio*pac PRO

Chassis plate

Chassis plate full width



- For assembly of heavy accessories
- **Chassis plate full width**
The chassis plate is as wide as the subrack/system and is fixed on the side panel.
- **Chassis plate partial width**
The chassis plate is assembled on a side panel with a mounting strip.

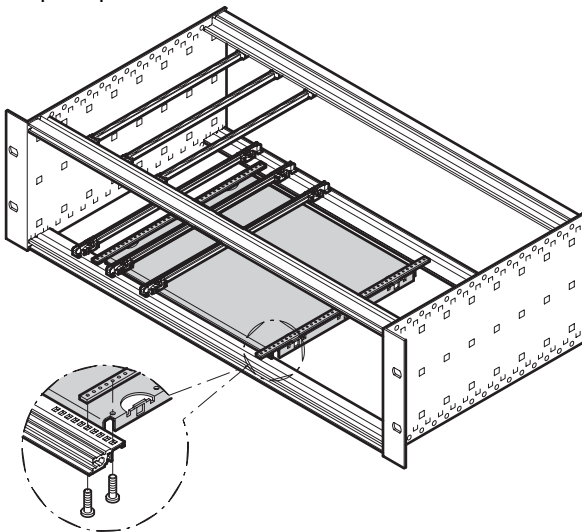
Delivery comprises

Item	Qty	Description
1	1	Chassis plate, Al, 1.5 mm

Order Information

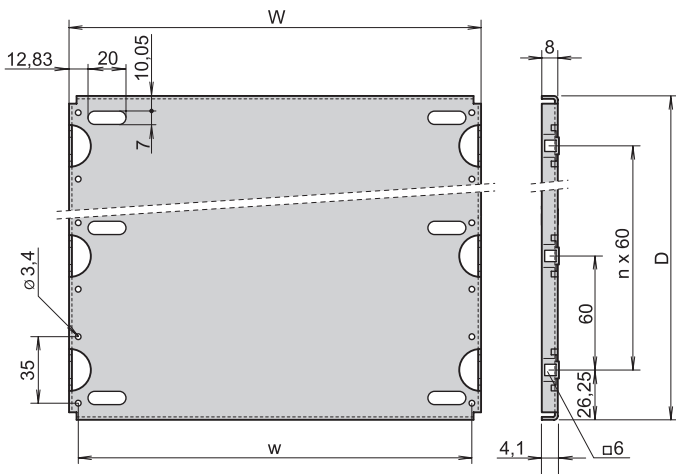
Width B	B	b	n	Board length	Order no.
HP	mm	mm		mm	
28	146.88	137.16	1	160	34562-745
28	146.88	137.16	2	220	34562-749
28	146.88	137.16	4	340	34562-757
42	217.99	208.28	1	160	34562-746
42	217.99	208.28	2	220	34562-750
42	217.99	208.28	4	340	34562-758
63	324.67	314.96	1	160	34562-747
63	324.67	314.96	2	220	34562-751
63	324.67	314.96	4	340	34562-759
84	431.35	421.64	1	160	34562-748
84	431.35	421.64	2	220	34562-752
84	431.35	421.64	4	340	34562-760
Torx pan head screw Torx screw M4 × 6, St, zinc-plated, PU 100 pieces					24560-151
Square nuts M4, St, zinc-plated, PU 100 pieces					24560-140
Torx screw 2,5 × 10, zinc-plated, PU 100 pieces					24560-179

Chassis plate partial width



Note

- Square nuts are required for assembly on side panel
- 280 mm deep version available on request
- For partial width mounting strips are necessary; please order separately, see page 5.33



Depth D = board length - 47,5 mm

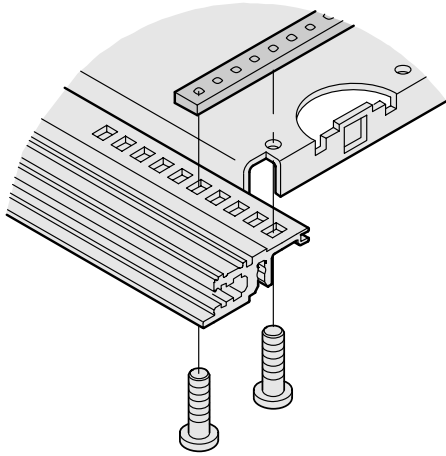


For further information www.schroff.biz/oneclick
oneClick code = Order no.



Desk-top cases - *ratio*pacPRO

Mounting strip for chassis plate



BPA46557

- For assembly of chassis plates partial width
- Suitable for assembly on all europacPRO horizontal rails

Delivery comprises

Item	Qty	Description
1	1	Assembly strip, St, zinc-plated, 2 mm

Order Information

Length mm	Board length mm	Order no.
142.4	160	30840-021
202.4	220	30840-033
322.4	340	30840-057

Assembly parts for mounting strips

Torx screw, M2,5 x 5, St, zinc-plated, PU 100 pieces

24560-146

Note

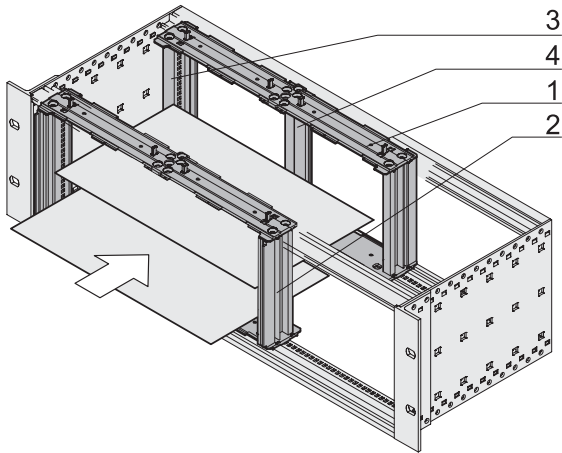
- 4 screws are required per assembly strip



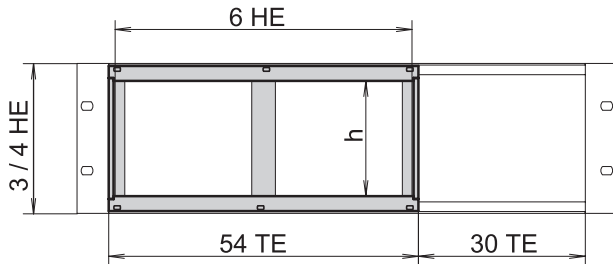
For further information www.schroff.biz/oneclick
oneClick code = Order no.

Desk-top cases - *ratiopac* PRO

Horizontal board assembly



BPA45914

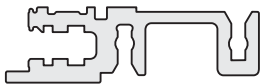


06102073

1 TE = 1 HP, 1 HE = 1 U, h = usable height

Other dimensions and options

Front assembly A



06102059

Horizontal rail type H-KD

Front horizontal rail, short lip (H-KD)
= flush to end of front panels

Front assembly B

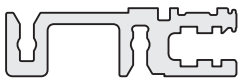


06102060

Horizontal rail Type H-LD

Front horizontal rail, long lip (H-LD)
= required if IEEE handles are used on
CompactPCI or VME64x Systems

Rear assembly

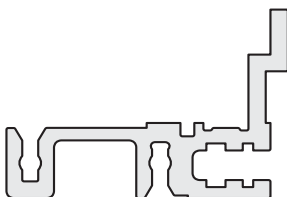


06102061

Horizontal rail Type H-VT

Rear horizontal rail, + 3 mm (H-VT)
= for direct assembly of backplane

Rear assembly D



06102062

Horizontal rail Type H-MZ

Rear horizontal rail with Z (H-MZ) =
for connector mounting according to
IEC 60603 (DIN 41612)

- For horizontal assembly of double euroboards in 3 or 4 U high subracks/cases

Delivery comprises

Item	Qty	Description
1	4	Support member, Zn die-cast
2	2	Front horizontal rail, type heavy (H), with short lip (H-KD), long lip (H-LD), Al extrusion
3a	2	Rear horizontal rail, type heavy, + 3 mm (H-VT)
3b	2	Rear horizontal rail, with Z (H-MZ), Al extrusion
4 a	1	Horizontal rail at rear centre (VT), Al extrusion
4 b	1	Horizontal rail at rear centre, with Z (MZ), Al extrusion
5a	6	Threaded inserts, St, zinc-plated
5b	2	Threaded inserts, St, zinc-plated (for version with Z)
6	1	Set of assembly parts including user manual

Order Information

Height U	Usable Height h HP	Assembly variants	Order no.
3	20	front A, rear C	24564-117
3	20	front B, rear C	24564-118
3	20	front A, rear D	24564-127
3	20	front B, rear D	24564-128
4	28	front A, rear C	24564-217
4	28	front B, rear C	24564-218

Note

- Please order front frame for EMC shielding separately
- Space requirement without cover is 53 HP

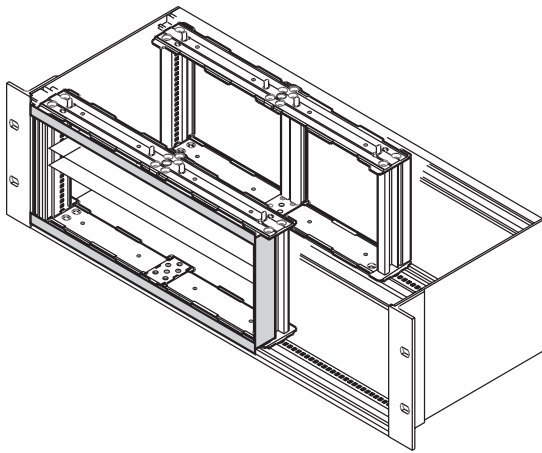


For further information www.schroff.biz/oneclick
oneClick code = Order no.

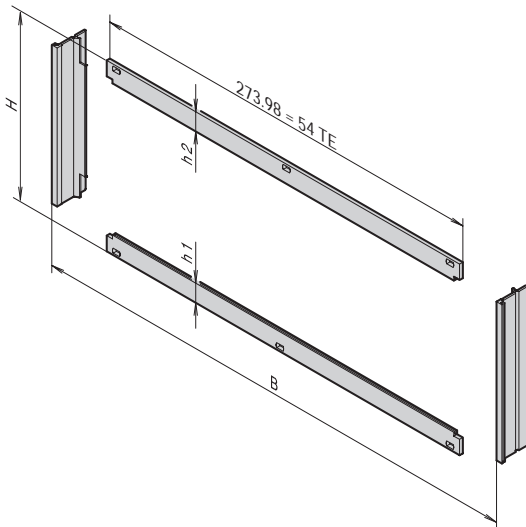


Desk-top cases - *ratiopac* PRO

Front frame EMC shielded for horizontal board mounting



BPA46559



1 TE = 1 HP, 1 HE = 1 U, h = usable height

BPA45913

- Front frame sets up the contact between subrack and plug-in units

Delivery comprises

Item	Qty	Description
1	2	Horizontal cover, Al, 2.5 mm, front anodised, rear chromated
2	2	Vertical cover, Al extrusion, chromated
3	2	Contact strips for horizontal rail/vertical cover, stainless steel

Order Information

Height U	H mm	H1 mm	h2 mm	Order no.
3	128.4	13.23	13.23	24564-109
4	172.85	13.23	16.99	24564-209
EMC contact strips 3 U, 97 mm, stainless steel, two pieces per front panel necessary, PU 10 pieces				21101-705
EMC contact strips 3 U, 97 mm, stainless steel, two pieces per front panel necessary, PU 100 pieces				21101-706
EMC contact strips 4 U, stainless steel, two pieces per front panel necessary, PU 10 pieces				21101-713
EMC contact strips 4 U, stainless steel, two pieces per front panel necessary, PU 100 pieces				21101-714
Assembly tool for EMC contact strip (front panel with slot), 1 piece				24560-270

Note

- Please order accessories separately
- EMC contact strip stainless steel, see chapter Front panels, plug-in units
- Collar screw / sleeve for mounting on horizontal rail, see chapter 7
- Perforated strips for centring, see page 5.30

Front frame unshielded for horizontal board assembly

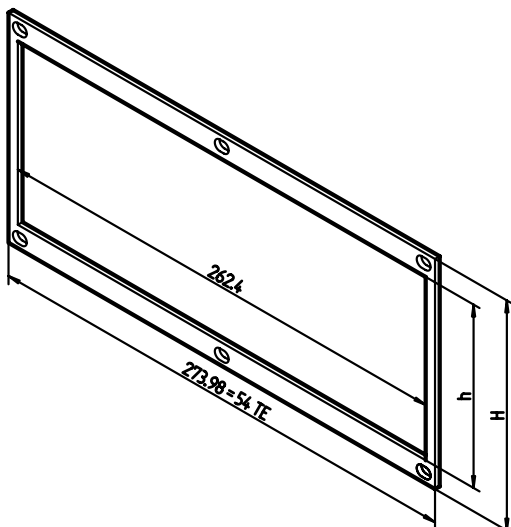
- For horizontally assembled plug-in units

Delivery comprises

Item	Qty	Description
1	1	Front frame with cut-out, Al, 2.5 mm, clear anodised

Order Information

Height H	H mm	Usable Height h HP	Height h mm	Order no.
3	128.4	20	102	30835-162
4	168.8	28	142.6	30838-949



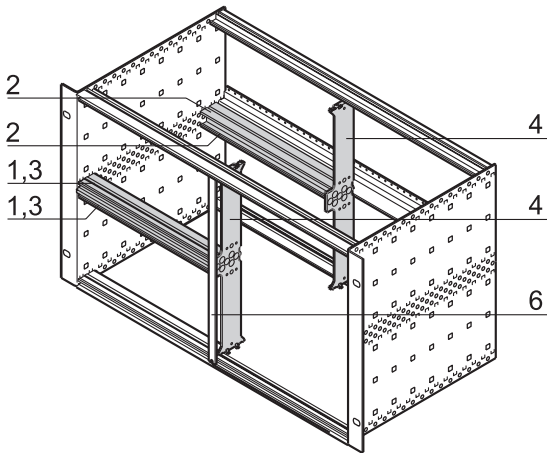
bza43061



For further information www.schroff.biz/oneclick
oneClick code = Order no.

Desk-top cases - *ratio*pac PRO

Combined mounting as kit



- Division of the 6 U mounting space into the following areas:
 - 2 x 3 U
 - 1 x 6 U
- Suitable for installation of euroboards (100 mm high) and double euroboards (233.4 mm high)

Delivery comprises (kit)

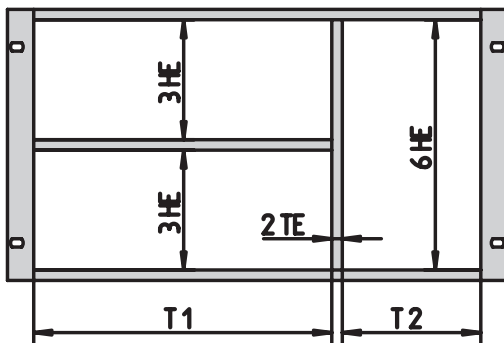
Item	Qty	Description
1	2	Front horizontal rail (H-KD), Al extrusion, anodised
2	2	Rear horizontal rail (AB), Al extrusion, anodised
3	2	Threaded insert, St, zinc-plated
4	2	Zn die-cast support member
5	1	Assembly kit incl. user manual

Order Information

Width pitch T1:T2	Order no.
HP	
20:62	24562-420
40:42	24562-440
42:40	24562-442
63:19	24562-463

Note

- Please order separately:
 - EMC gasket kit for horizontal rails
 - Perforated strips



1 TE = 1 HP, 1 HE = 1 U, h = usable height

EMC contact strips

- EMC contact strips are inserted into the lateral slots of the shielded front panels

Delivery comprises

Item	Qty	Description
1	1 / 100	EMC contact strips, stainless steel

Order Information

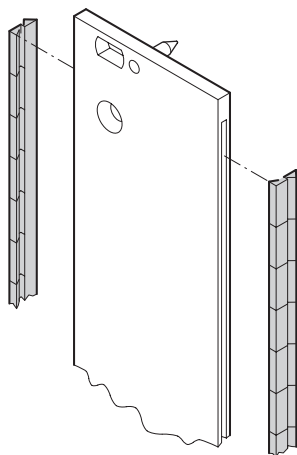
Height U	Height mm	Qty / PU	Order no.
6	232	10	21101-707
6	232	100	21101-708
Assembly tool for EMC contact strip (front panel with slot), 1 piece			24560-270

Note

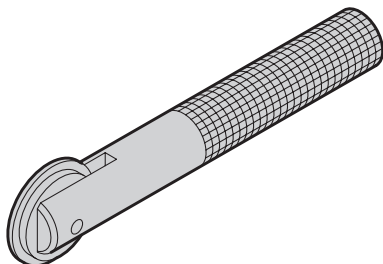
- Please order assembly tool separately



For further information www.schroff.biz/oneclick
oneClick code = Order no.



Assembly tool



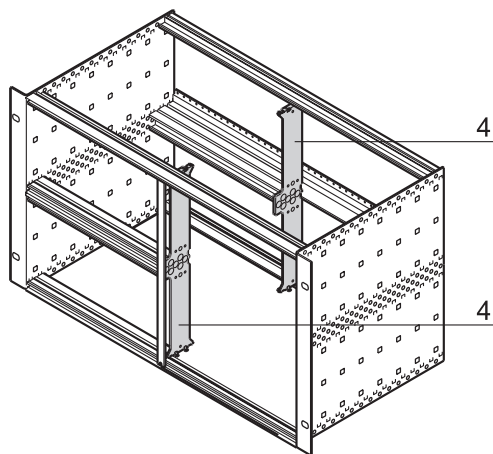
Desk-top cases - *ratio*pac PRO

Combined mounting with individual parts

The following parts should be ordered:

- Horizontal rails
- Threaded inserts
- Perforated strips
- Support member
- Front panel 6 U/2 HP
- EMC gasketing kit (horizontal rail/horizontal rail)

Support member 6 U



bpa46551

- The support member is clipped into the grid holes of the horizontal rails. The support member can also be bolted on.

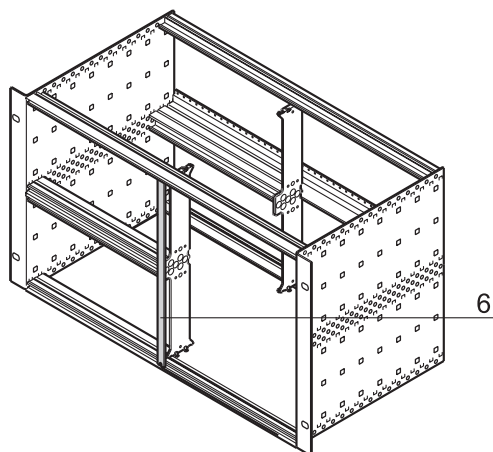
Delivery comprises

Item	Qty	Description
4	1	Support member 6 U, Zn die-cast

Order Information

Description	Order no.
Support member 6 U	64560-010
Torx screw M4 × 14, zinc-plated, PU 100 pieces	24560-145
Torx screw 2,5 × 10, zinc-plated, PU 100 pieces	24560-179

Front panel 6 U/2 HP



BPA46550

Delivery comprises

Item	Qty	Description
6	1	Front panel, Al, 2.5 mm, front anodised, rear colour passivated

Order Information

Description	Qty	Order no.
Front panel 6 U 2 HP unshielded	SPQ 1) 5 pieces	30847-472
Front panel 6 U 2 HP shielded (stainless steel sealing)	SPQ 1) 5 pieces	30846-865
Front panel, U profile with notch, 6 U / 2 HP (textile fabric)	SPQ 1) 5 pieces	30849-140
Collar screw with pozidrive M2,5, nickel-plated, PU 100 pieces		21101-101
Collar screw with pozidrive M2,5, black, zinc-plated, PU 100 pieces		21101-102
Glazing, plastic 2,7 x 5 x 1, PA 6, PU 100 pieces		21101-121

1) Delivery may be exclusively in standard pack quantity: Please order a minimum of 5 pieces of front panels or a multiple

Note

Please order the following parts separately:

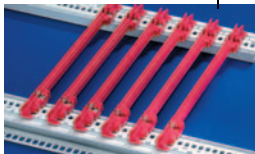
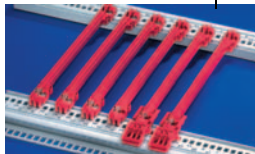
- Stainless steel contact strips, see page 5.36
- For shielded version perforated strips are necessary, see page 5.30

Desk-top cases - *ratiopac* PRO

Guide rail, one-piece

- For printed board lengths: 70, 160, 220, 280, 340, 400 mm
- Material: up to 280 mm length PBT UL 94-V-0,
> 280 mm length, end piece PBT UL 94-V-0,
middle part Al extrusion
- Guide rail:
 - Pluggable on to horizontal rails made of Al extrusion
 - Pluggable on metal which is 1.5 mm thick

Order Information

Board length mm	Groove width mm	Colour mm	For plug-in units and frame-type units			For boards without front panel		
			"Standard" 	"Standard" with DIN connector mounting	"Accessories" 	"Strengthened version"		
			PU 2) 10 pieces	SPQ 1) 50 pieces	SPQ 1) 10 pairs	PU 2) 10 pieces	SPQ 1) 50 pieces	SPQ 1) 50 pieces
70	2	red	–	34579-230	–	–	–	–
100	2	red	–	–	–	–	64560-082	–
160	2	red	24560-351	64560-001	64560-074	24560-373	64560-005	64560-076
160	2	grey	–	–	–	–	64560-055	–
220	2	red	24560-353	64560-002	64560-075	24560-374	64560-006	64560-078
220	2	grey	–	–	–	–	64560-166	–
280	2	red/silver	24560-379	–	–	24560-375	–	64560-080
340	2	red/silver	24560-380	–	–	24560-376	–	–
160	2.5	red	–	64560-096	–	–	–	–
220	2.5	red	–	64560-098	–	–	–	–

Accessories

ESD clip, PU 50 pieces	24560-255	24560-255	24560-255	24560-255	24560-255	24560-255
ESD clip, for alignment pin, PU 50 pieces	–	–	–	–	–	–
Retention screw, PU 100 pieces	24560-141	24560-141	24560-141	24560-141	24560-141	24560-141
Board retainer, red, PU 10 pieces	–	–	–	24560-377	24560-377	24560-377
Printed board handle, red, PU 10 pieces	–	–	–	24560-378	24560-378	24560-378
Identification strips for printed board handle, red, PU 1 sheet = 438 pieces	–	–	–	60817-228	60817-228	60817-228
Coding block top, red, SPQ 50 pieces	–	–	–	34579-232	34579-232	34579-232
Coding block top, grey, SPQ 50 pieces	–	–	–	34579-233	34579-233	34579-233
Coding block at bottom, red, SPQ 50 pieces	–	–	–	34579-234	34579-234	34579-234
Coding block at bottom, grey, SPQ 50 pieces	–	–	–	34579-235	34579-235	34579-235
Coding peg, PU 100 pieces	–	–	–	20817-501	20817-501	20817-501

- 1) Delivery may be in Standard Pack Quantity (SPQ). Please order the 'SPQ' quantity or a multiple. Pricing is per individual item
 2) Order no. comprises one Packaging Unit (PU); multiple items in one pack. Pricing per PU.

Desk-top cases - *ratio*pac PRO

Guide rail, one-piece

Order Information

Board height mm	Groove width mm	Colour mm	For CompactPCI, VME64x with coding according to 1101.10		Offset 0.1" for power supply units according to 1101.10		For 4.4" boards	For heavy modules, Al extrusion, silver, "Stable version"
			PU 2) 10 pieces	SPQ 1) 5 pieces	PU 2) 10 pieces	SPQ 1) 50 pieces	SPQ 1) 50 pieces	SPQ 1) 10 pieces
70	2	red	24560-355	64560-085	–	–	–	–
70	2	grey	24560-360	64560-086	–	–	–	–
160	2	red	24560-356	64560-089	–	–	64560-143	–
160	2	grey	24560-358	64560-090	–	–	–	34562-881
160	2	green	–	–	24560-359	64560-071	–	–
220	2	red	–	64560-091	–	–	64560-144	–
220	2	grey	–	64560-092	–	–	–	34562-882
220	2	green	–	–	–	64560-072	–	–
280	2	red/silver	–	–	–	–	–	34562-883
340	2	red/silver	–	–	–	–	–	34562-884
400	2	silver	–	–	–	–	–	34562-885
160	2.5	red	–	–	–	–	64560-145	34564-881
220	2.5	red/silver	24561-330	–	–	–	64560-146	34564-882
220	2.5	grey/silver	24561-340	–	–	–	–	–
280	2.5	red/silver	24561-331	–	–	–	–	–
280	2.5	grey/silver	24561-341	–	–	–	–	34564-883
340	2.5	red/silver	24561-332	–	–	–	–	–
340	2.5	grey/silver	24561-342	–	–	–	–	34564-884
400	2.5	silver	–	–	–	–	–	34564-885
Accessories								
ESD clip, PU 50 pieces			24560-255	24560-255	24560-255	–	–	–
ESD clip, for alignment pin, PU 50 pieces			24560-256	24560-256	24560-256	24560-256	–	–
Retention screw, PU 100 pieces			24560-141	24560-141	24560-141	24560-141	24560-158	24560-157
Coding peg, PU 100 pieces			20817-501	20817-501	20817-501	20817-501	–	–

- 1) Delivery may be in Standard Pack Quantity (SPQ). Please order the 'SPQ' quantity or a multiple. Pricing is per individual item
 2) Order no. comprises one Packaging Unit (PU); multiple items in one pack. Pricing per PU.