



**CONNECT AND PROTECT**

# Plug-in Units

08/2022

  
nvent

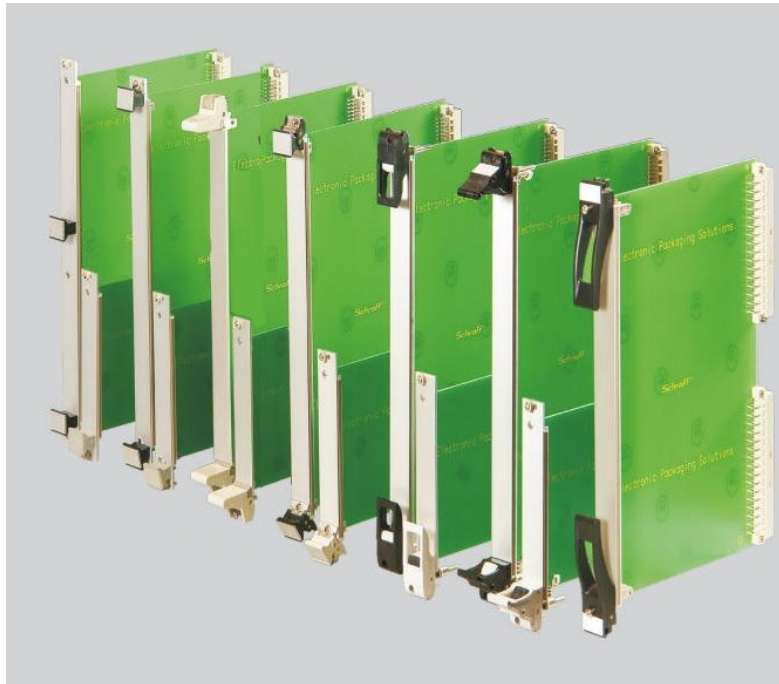
**SCHROFF**

# Plug-in units – Plug-in units

## OVERVIEW

### MAIN KATALOG

- Cabinets . . . . . 1
- Wall mounted cases . . . . . 2
- Accessories for cabinets and wall mounted cases . . 3
- Climate control . . 4
- Electronics cases . . . . . 5
- Subracks/ 19" chassis . . . . . 6
- Front panels, plug-in units . . . . . 7
- Systems . . . . . 8
- Power supply units . . . . . 9
- Backplanes . . . . . 10
- Connectors, front panel component system . . . . . 11
- Appendix . . . . . 12



## PLUG-IN UNITS AS KITS OR FROM INDIVIDUAL PARTS

- Handles in different designs for various applications
- Insertor/extractor handles for forces up to 1500 N
- Upgradable EMC shielding

## STANDARDS

- IEC 60297-3-101 / IEEE 1101.1/11
- IEC 60297-3-102 / IEEE 1101.10
- IEC 60297-3-103
- IEC 1296

## WHICH HANDLE FOR WHICH OPEN STANDARD / CONNECTOR?

| Standard                     | Connector  | Picture of the connector  | Qty of pins | Force    | Picture handle  | Suggested handle (PIU with handle)        |
|------------------------------|--|---|-------------|----------|---|---|
| VME                          | DIN connector conform with IEC 60603-2 (DIN 41612)   |  | 192         | ~ 180N   |  | Static trapezoid handle, Type 1 and Type2 |
| VME64x                       | DIN connector conform with IEC 60603-2 (DIN 41612)   |  | 415         | ~ 420N   |  | Type IEL / IET                            |
| CompactPCI                   | Connector conform with IEC 61076-4-101 (Hard metric) |  | 535         | ~ 610N   |  | Type IEL / IET                            |
| CompactPCI Serial (CPCI-S.0) | Connector conform with CPCI-S.0 (Airmax VS)          |  | 1.128       | ~ 550N   |  | Type IEL / IET                            |
| VXS                          | Connector conform with VITA 41 (Tyco MultiGig RT)    |  | 1.664       | ~ 1.250N |  | Type IEL / IET or XL                      |
| VPX                          | Connector conform with VITA 46 (Tyco MultiGig RT)    |  | 1.664       | ~ 1.250N |  | Type IEL / IET or XL                      |

Remark: 6U board with two handles

## SERVICEPLUS

- e.g. individual configuration and assembly
- e.g. modifications (special colours or sizes)
- e.g. custom solutions with modification to the plug-in units

# Plug-in units – Plug-in units

| Handles for plug-in units   |   | Kit  | Individual components |
|---|---|------|-----------------------|
|   |   | Page | Page                  |
|    | <b>For CompactPCI and VME64x applications</b><br>Inserter/extractor handle, type IEL/IET, allows keying/coding and insertion/extraction forces up to 700 N per pair       | 7.18 | 7.24                  |
|    | <b>For FMC and PMC Mezzanine</b><br>Inserter/extractor handle, type IEL, allows keying/coding and insertion/extraction forces up to 700 N per pair                        | 7.20 |                       |
|    | <b>For VPX, VXS, CompactPCI and VME64x applications</b><br>Inserter/extractor handle, type XL, allows keying/coding and insertion/extraction forces up to 1500 N per pair | 7.34 | 7.35                  |
|   | <b>For e.g. VMEbus applications</b><br>Trapeziform extractor handle, type 2, up to 250 N/pair   | 7.37 | 7.39                  |
|  | <b>For e.g. VMEbus applications</b><br>Trapeziform extractor handle, type 1   | 7.44 | 7.51                  |
|  | <b>For plug-in units in accordance with IEC 60297</b><br>Extractor handle in key form 1   | 7.50 |                       |
|  | <b>For plug-in units in accordance with IEC 60297</b><br>Static handle  | 7.54 | 7.58                  |
|  | <b>Accessories for plug-in units</b><br>Mechanical protection for static trapeziform handle and fixing materials kit  | 7.63 | –                     |

04692004

# Plug-in units – for CompactPCI, VME64x

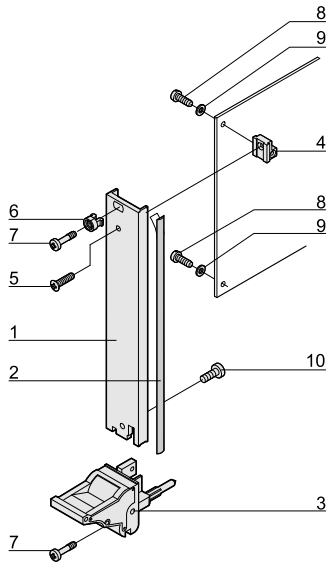
**KITS**
**PLUG-IN UNITS WITH IEL INSERTER/EXTRACTOR HANDLE FOR COMPACTPCI/VME64X APPLICATIONS**


3U, Front Assembly

3U, Rear I / O

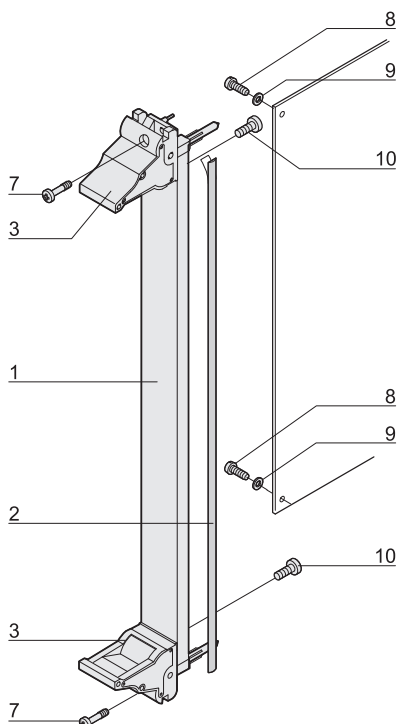
Remark: Delivery do not include the PCB

3U



04602073

6 U



04602074

- In accordance with IEEE 1101.10 and IEC 60297-3-102
- Codable to IEC 60297-3-103/ IEEE 1101.10
- Front panel shielded
- Suitable for insertion and extraction forces up to 700 N (per pair)
- Suitable for fitting microswitches
- **Plastic Material:**  
UL 94 V0, EN 45545-2, R22 - R24, HL3

**DELIVERY COMPRISES (kit)**

| Item | Qty  |      |      |      | Description  |
|------|------|------|------|------|--|
|      | 3 U  |      | 6 U  |      |  |
|      | <8HP | ≥8HP | <8HP | ≥8HP |  |
| 1    | 1    | 1    | 1    | 1    | Front panel (U profile), Al, front anodised, rear conductive   |
| 2    | 1    | 1    | 1    | 1    | EMC sealing (textile), core: foam, sleeve: textile cladding, CuNi coated   |
| 3    | 1    | 1    | 2    | 2    | Handle with integrated alignment pin for perforated strips and guide rails, lever: plastic, PC, black, RAL 9005 key: plastic, PC, light grey, RAL 7035 |
| 4    | 1    | 1    | -    | -    | Board support, die-cast zinc   |
| 5    | 1    | 1    | -    | -    | Raised Pozidrive countersunk screw M2.5 × 8, St, nickel-plated   |
| 6    | 1    | 3    | -    | 2    | Sleeve, PA, grey   |
| 7    | 2    | 4    | 2    | 4    | Pozidrive collar screw, M2.5 × 12.3, St, nickel-plated   |
| 8    | 2    | 2    | 2    | 2    | Panhead screw with Torx/slot, M2.5 × 6, St, zinc-plated, self-locking  |
| 9    | 2    | 2    | 2    | 2    | Washer A2.7, DIN 125, St, nickel-plated  |
| 10   | 1    | 1    | 2    | 2    | Panhead screw with Torx, M2.5 × 7, St, nickel-plated   |

**ORDER INFORMATION**

| Width | Part no. | Part no.       |
|-------|----------|----------------|
| HP    | Rear I/O | Front assembly |

**3 U Height**

|    |                  |                  |
|----|------------------|------------------|
| 4  | <b>20848-751</b> | <b>20848-585</b> |
| 6  | -                | <b>20848-587</b> |
| 8  | <b>20848-752</b> | <b>20848-589</b> |
| 10 | -                | <b>20848-590</b> |
| 12 | -                | <b>20848-591</b> |

**6 U Height**

|    |   |                  |
|----|---|------------------|
| 4  | - | <b>20848-592</b> |
| 6  | - | <b>20848-594</b> |
| 8  | - | <b>20848-596</b> |
| 10 | - | <b>20848-597</b> |
| 12 | - | <b>20848-598</b> |

**Accessories**

|   |                  |
|---|------------------|
| Microswitch for handles, CompactPCI/VME64x application PU 10 pieces | <b>20817-606</b> |
|---|------------------|

- Dimension drawing of front profile see page 7.30
- Description of microswitch see page 7.35



# Plug-in units – for CompactPCI, VME64x

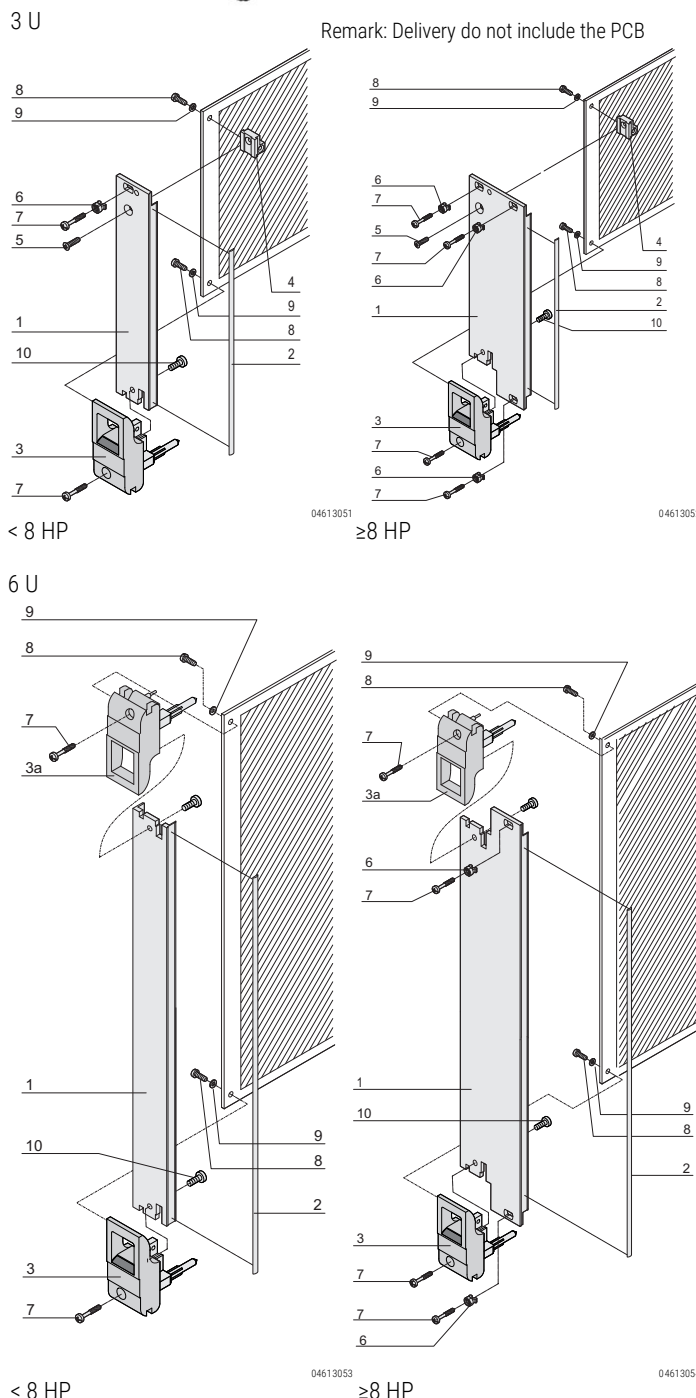
**KITS**
**PLUG-IN UNITS WITH IET INSERTION/EXTRACTOR HANDLE FOR COMPACTPCI/VME64X APPLICATIONS**


3U, Front

- Suitable for insertion and extraction forces up to 700 N (per pair)
- Version for telecoms applications
- To IEEE 1101.10 and IEC 60297-3-102
- Codable to IEC 60297-3-103/ IEEE 1101.10
- Front panel, shielded (3 U, 6 HP)
- designed for fitting of microswitches
- Online download of 3D CAD data
- **Plastic Material:**  
UL 94 V0, EN 45545-2, R22 - R24, HL3

**DELIVERY INCLUDES (Kit)**

| Item | Qty   |       |       |       | Description   |
|------|-------|-------|-------|-------|---|
|      | 3 U   |       | 6 U   |       |   |
|      | <8 HP | ≥8 HP | <8 HP | ≥8 HP |   |
| 1    | 1     | 1     | 1     | 1     | Front panel (U profile), Al, front anodized, rear conductive  |
| 2    | 1     | 1     | 1     | 1     | EMC sealing (textile), core: foam, sleeve: textile cladding, CuNi coated  |
| 3    | 1     | 1     | 2     | 2     | Handle with integrated alignment pin for perforated strips and guide rails, lever: plastic, PC, black, RAL 9005<br>Key: Plastic, PC, light gray, RAL 7035 |
| 4    | 1     | 1     | -     | -     | Board support, die-cast zinc  |
| 5    | 1     | 1     | -     | -     | Raised Pozidrive countersunk screw M2.5 × 8, St, nickel-plated  |
| 6    | 1     | 3     | -     | 2     | Sleeve, PA, gray  |
| 7    | 2     | 4     | 2     | 4     | Pozidrive collar screw, M2.5 × 12.3, St, nickel-plated  |
| 8    | 2     | 2     | 2     | 2     | Panhead screw with Torx/slot, M2.5 × 6, St, zinc-plated, self-locking   |
| 9    | 2     | 2     | 2     | 2     | Washer A2.7, DIN 125, St, nickel-plated   |
| 10   | 1     | 1     | 2     | 2     | Panhead screw with Torx, M2.5 × 7, St, nickel-plated  |

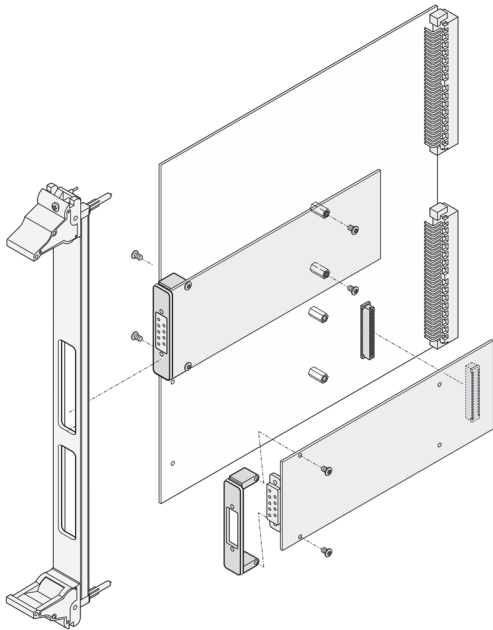

**ORDER INFORMATION**

| Width HP  | Part no.         |
|---|------------------|
| <b>3 U Height</b>   |                  |
| 4   | <b>20848-763</b> |
| 8   | <b>20848-764</b> |
| 12  | <b>20848-765</b> |
| <b>6 U Height</b>   |                  |
| 4   | <b>20848-766</b> |
| 8   | <b>20848-767</b> |
| 12  | <b>20848-768</b> |
| <b>Accessories</b>  |                  |
| Coding peg, PC, UL 94 V-0, grey, RAL 7035 PU 100 pieces             | <b>20817-501</b> |
| Microswitch for handles, CompactPCI/VME64x application PU 10 pieces | <b>20817-606</b> |

- For description of coding peg and microswitch see page 7.23
- Description of microswitch see page 7.31

# Assemblies – for CompactPCI, VME64x

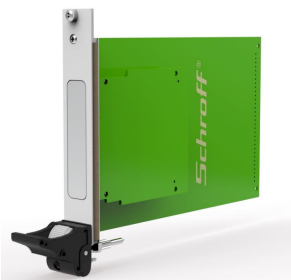
## PMC MEZZANINE FRONT PANELS



04621050

- PMC = PCI Mezzanine Card
- For standard defined I/O mezzanine modules which connect to carrier cards
- For Single-Module 69.0 x 76.5 mm or Double-Module 139.0 x 76.5 mm modules
- In accordance with IEEE 1386.1 Spezification

## PMC MEZZANINE FRONT PANEL KIT, SHIELDED, WITH IEL HANDLE



Remark: Delivery do not include the PCB

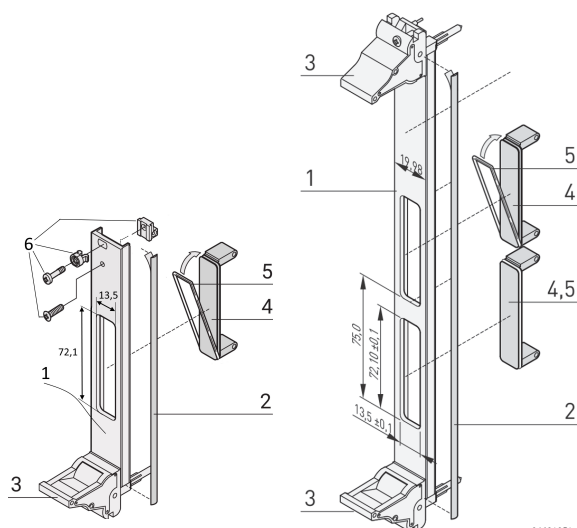
- 3 U or 6 U, 4 HP, U-shaped front panels with textile gasketing
- 1 or 2 PMC cutouts (depending on height)
- 1 or 2 IEL-handle (depending on height)
- EMC shielded, both the front panel and the FMC bezels
- **Plastic Material:**  
UL 94 V0, EN 45545-2, R22 - R24, HL3

### DELIVERY INCLUDES (assembled)

| Item | Qty  |      | Description  |
|------|------|------|--|
|      | 3 HE | 6 HE |  |
| 1    | 1    | 1    | PMC front panel, U profile, Al, 4 HP, front anodized, rear conductive, 3 U has 1 cut out, 6 U has 2 cut outs |
| 2    | 1    | 1    | EMC textile gasket for front panel   |
| 3    | 1    | 2    | IEL handle (handel, black, RAL 9005; button, light grey, RAL 7035)   |
| 4    | 1    | 2    | PMC bezel for front panel cut outs   |
| 5    | 1    | 2    | EMC gasket (O-ring)  |
| 6    | 1    | 1    | Assembly kit   |

### ORDER INFORMATION

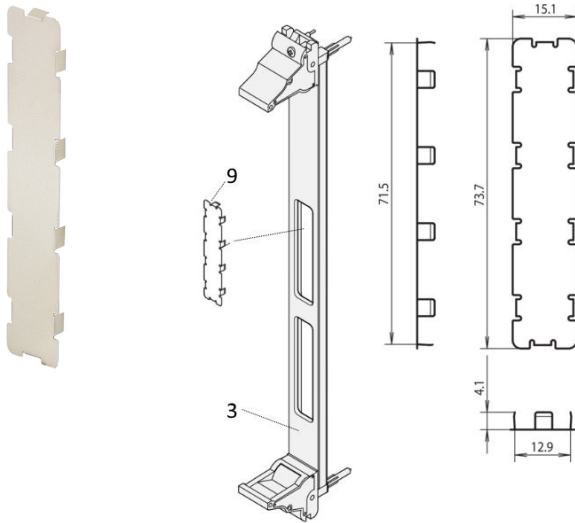
| Height                               | Part no.         |
|--------------------------------------|------------------|
| U                                    |                  |
| 3                                    | <b>20836-460</b> |
| 6                                    | <b>20836-461</b> |
| Accessories                          |                  |
| Spacer to mount PMC mezzanine boards | see page 7.23    |



04621051

# Modules – for CompactPCI, VME64x

## PMC CUTOUT COVER FOR EMC PROTECTION



04610028

Item 9: EMC cover; Item 3: front panel

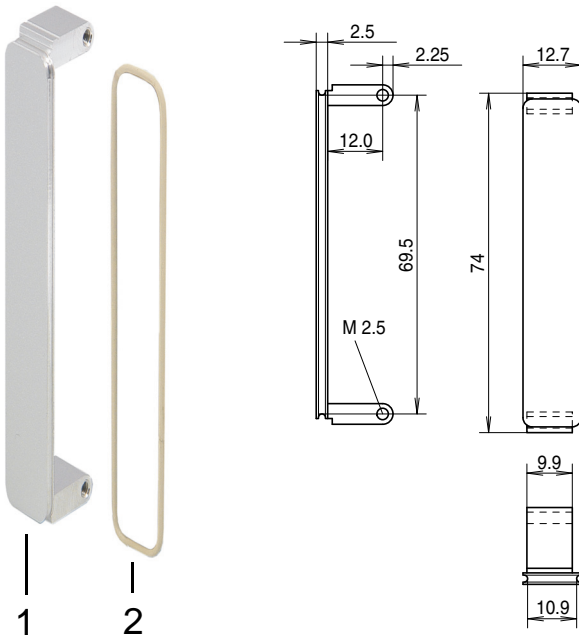
- EMC cover to close unused cut-outs in the PMC mezzanine front panels
- Material stainless steel, 0.2 mm
- Colour: black or bright

### ORDER INFORMATION

| Colour | Qty              | Part no.         |
|--------|------------------|------------------|
| Black  | 1 piece (SPQ 10) | <b>60835-024</b> |
| Bright | 1 piece (SPQ 10) | <b>60835-022</b> |

Delivery is exclusively made in Standard Pack Quantity (SPQ): Please order at least 10 pieces or a multiple.  
Pricing is per individual item.

## PMC BEZEL FOR MEZZANINE FRONT PANELS



04610029

mpa44846

- Mezzanine front panel is fitted into PMC front panel cut-outs; EMC shielding with conductive O-ring
- Material:
  - Aluminium extrusion (anodised, contact surfaces conductive)

### DELIVERY COMPRISES (kit)

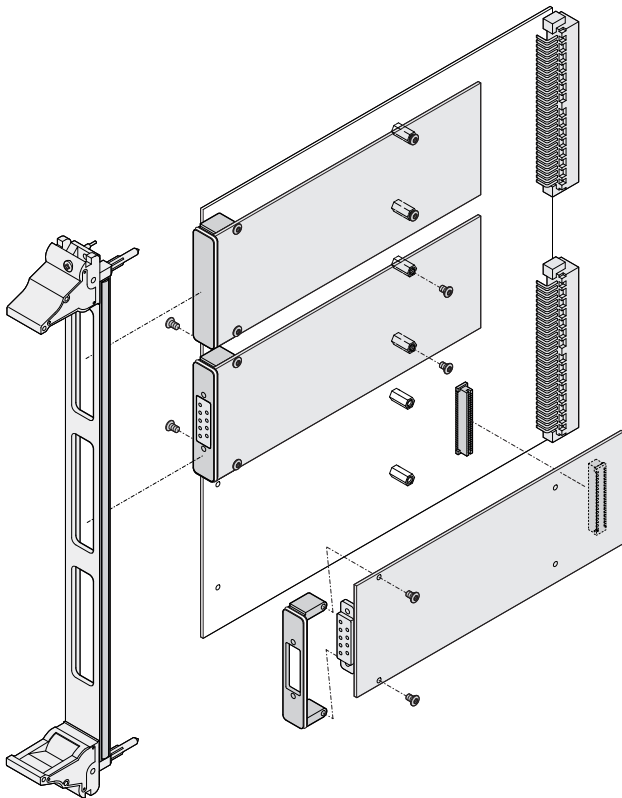
| Item | Qty | Description                                       |
|------|-----|---|
| 1    | 1   | PMC bezel for mezzanine front panel, Al extrusion |
| 2    | 1   | EMC gasket (O-ring), Cho-Seal                     |

### ORDER INFORMATION

| PMC mezzanine front panel                                     | Qty/PU | with EMC gasket  | without EMC gasket |
|---|--------|------------------|--------------------|
| Material  |        | Part no.         | Part no.           |
| Al extrusion, anodised, contact surfaces conductive           | 1      | <b>20835-598</b> | -                  |
| Al extrusion, anodised, contact surfaces conductive           | 10     | <b>20835-889</b> | <b>20835-899</b>   |
| EMC gasket O-ring, 1 piece (Standard Pack Quantity 10 pieces) |        |                  | <b>60835-021</b>   |
| Cheese head screw M2.5 × 5 mm, PU 100 pieces                  |        |                  | <b>21100-624</b>   |

# Assemblies – for CompactPCI, VME64x

## FMC MEZZANINE FRONT PANELS



04615052

- FMC = FPGA mezzanine card
- For standard defined I/O mezzanine modules which connect to carrier cards
- For single 69.0 x 76.5 mm or double 139.0 x 76.5 mm modules
- In accordance with Vita 57.1 specification

## FMC MEZZANINE FRONT PANEL KIT, SHIELDED, WITH IEL HANDLE



Remark: Delivery do not include the PCB

- 3 U or 6 U, 4 HP, U-shaped front panels with textile gasketing
- 1 or 3 FMC cutouts (depending on height)
- 1 or 2 IEL front handles (depending on height)
- EMC shielded, both the front panel and the FMC bezels
- **Plastic Material:**  
UL 94 V0, EN 45545-2, R22 - R24, HL3

### DELIVERY INCLUDES (assembled)

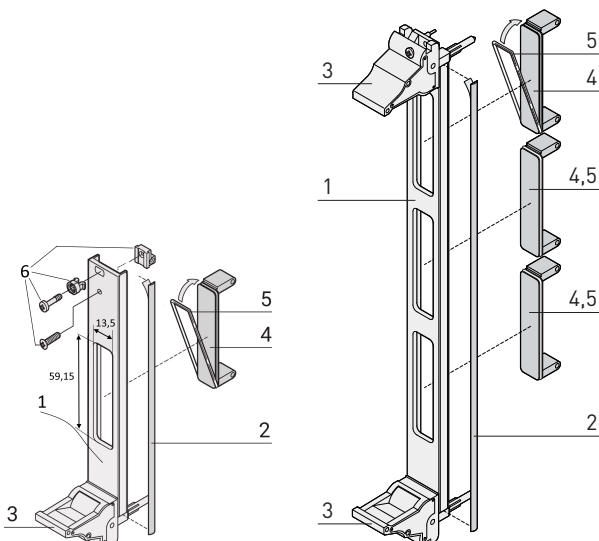
| Item | Qty |     | Description  |
|------|-----|-----|--|
|      | 3 U | 6 U |  |
| 1    | 1   | 1   | FMC front panel, U profile, Al, 4 HP, front anodized, rear conductive, 3 U has 1 cut out, 6 U has 3 cut outs |
| 2    | 1   | 1   | EMC textile gasket for front panel   |
| 3    | 1   | 2   | IEL handle (handel, black, RAL 9005; button, light grey, RAL 7035)   |
| 4    | 1   | 3   | FMC bezel for front panel cut outs   |
| 5    | 1   | 3   | EMC gasket (O-ring)  |
| 6    | 1   | 1   | Assembly kit   |

### ORDER INFORMATION

| Height | Part no.  |
|--------|-----------|
| U      |           |
| 3      | 20836-253 |
| 6      | 20836-254 |

### Accessories

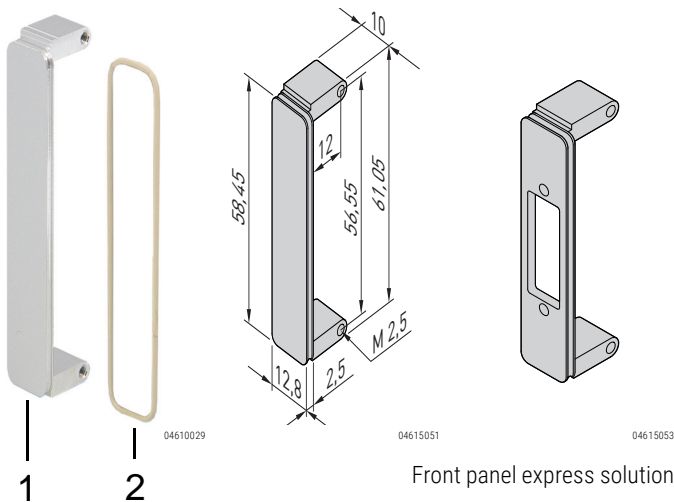
|                                      |               |
|--------------------------------------|---------------|
| Spacer to mount PMC mezzanine boards | see page 7.23 |
|--------------------------------------|---------------|



04615050

# Assemblies – for CompactPCI, VME64x

## EMC BEZEL FOR FMC MEZZANINE FRONT PANEL CUT-OUTS

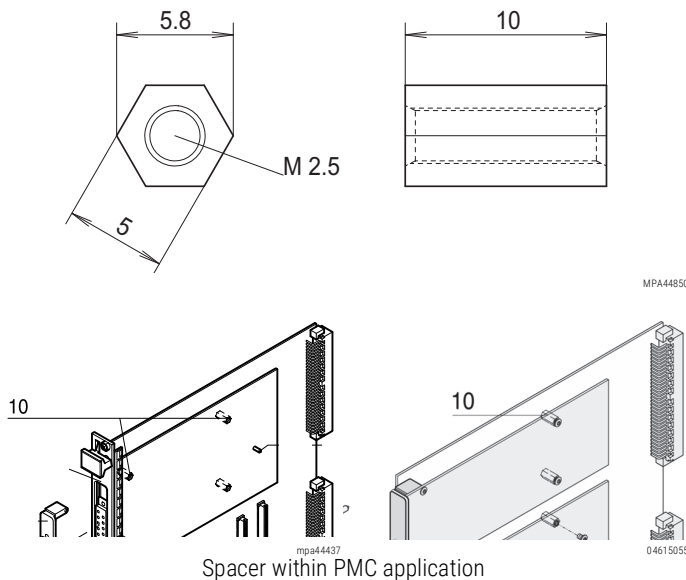


- FMC bezel is fitted into FMC Mezzanine front panel cut-outs
- Material, Al extrusion (anodised, contact surface conductive)
- Shielding for FMC bezels with an optional conductive O-ring, please order separately

### ORDER INFORMATION

| Description  | Item | Qty/PU piece | Part no.         |
|--|------|--------------|------------------|
| EMC bezel for FMC Mezzanine front panel cut outs   | 1    | 10           | 20835-849        |
| <b>Accessories</b>   |      |              |                  |
| EMC gasket for mezzanine front panel item 2, O-ring, (VITA 57.1), (standard pack quantity 10 pieces) | 2    | 1            | <b>60835-077</b> |
| Cheese head screw M2.5 x 5 mm, PU 100 pieces   |      |              | <b>21100-624</b> |

## SPACER TO MOUNT PMC AND FMC MEZZANINE BOARDS



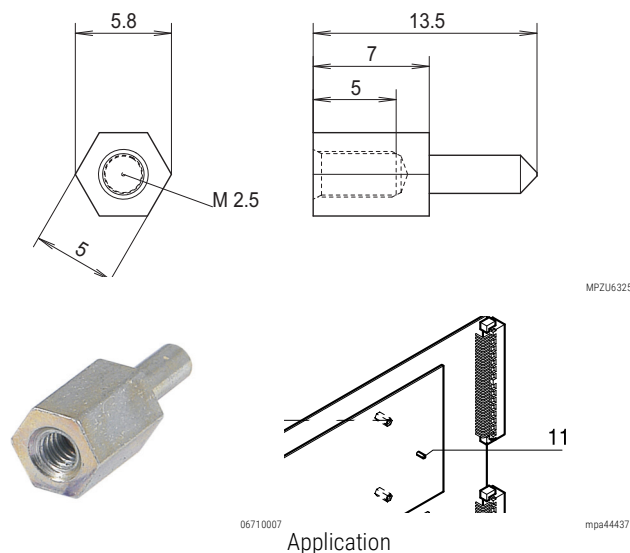
- To provide a standoff between mezzanine boards per the IEEE P1386 or VITA 57.1 specification and the carrier card

### ORDER INFORMATION

| Description | Item | Material      | Qty              | Part no.         |
|-------------|------|---------------|------------------|------------------|
| Spacer      | 10   | St, Stainless | 1 piece (SPQ 10) | <b>60897-278</b> |

Delivery is exclusively made in Standard Pack Quantity (SPQ): Please order at least 10 pieces or a multiple.  
Pricing is per individual item.

## VOLTAGE KEYING/CODING PIN FOR PMC MEZZANINE BOARDS



- To prevent accidental damage when fitting mezzanine boards, keying/coding pins are bolted to the VMEbus boards to distinguish between 3.3 V and 5 V operation. The mezzanine boards have a hole drilled in the appropriate position. The keying/coding pin thus ensures that only mezzanine boards with the same operating voltage can be inserted. For double-height euroboards 2 pieces are required.

### ORDER INFORMATION

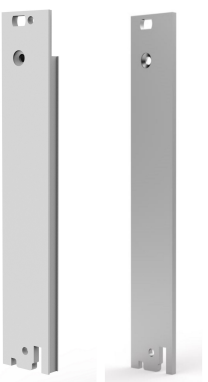
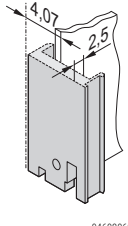
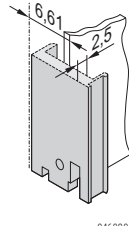
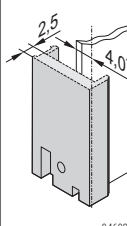
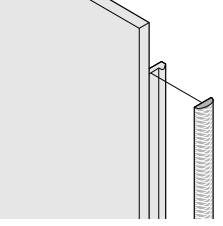
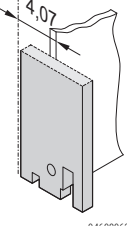
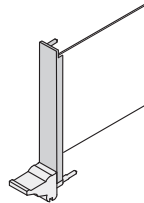
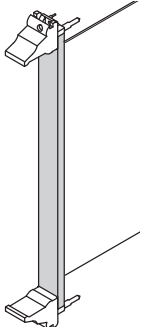
| Description                 | Item | Material      | Qty              | Part no.         |
|-----------------------------|------|---------------|------------------|------------------|
| Keying/coding pin 5 V/3.3 V | 11   | St, Stainless | 1 piece (SPQ 10) | <b>60827-026</b> |

Delivery is exclusively made in Standard Pack Quantity (SPQ): Please order at least 10 pieces or a multiple.  
Pricing is per individual item.



# Modules – for CompactPCI, VME64x

**INDIVIDUAL COMPONENTS**
**FRONT PANELS, U-PROFILES, FOR EXTRACTOR HANDLES, TYPE IEL, IET**
**ORDER INFORMATION**


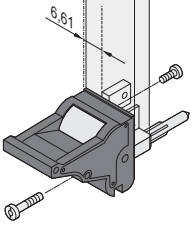
|  | Front panel, U profile, shieldable  |   |   | Textile EMC gasket  |   | Front panel, flat, unshielded, front mounting                            |
|--|---|---|---|---|---|--|
|  | Front mounting  | Front mounting, PCB fixing with 0.1" offset   | Rear I/O mounting   |   |   |  |
|  <p>U-Profile Front panel    Flat Front panel</p> |  <p>04608060</p>   |  <p>04608062</p> |  <p>04608061</p> |  <p>BGA45760</p>  |  <p>04608063</p> |  |
|  | Al extrusion, 2.5 mm, front anodised, rear conductive; alignment pin pressed-in (3 U only), stainless steel; manufacturing process causes various surface structures to appear between 4 to 12 HP and 14 to 16 HP |   |   | always fixed laterally on the front panel, in the groove of the profile, textile gasket, core: foam, sleeve: textile cladding with CuNi coating, UL 94 V-0, temperature range -40 ... 70 °C |   | front panel, Al, 2.5 mm, front anodised, rear iridescent green chromated |
|  | 1 piece (SPQ 5) <sup>1)</sup>   | 1 piece (SPQ 5) <sup>1)</sup>   | 1 piece (SPQ 5) <sup>1)</sup>   | PU 10 pieces  | PU 100 pieces   | 1 piece (SPQ 5) <sup>1)</sup>  |
| <b>3 U Height</b>  |   |   |   |   |   |  |
|  <p>04608067</p>                                | 4   | <b>30848-312</b>  | <b>30848-426</b>  | <b>30848-867</b>  |   | <b>30848-327</b>   |
|  | 5   | <b>30848-300</b>  | <b>30848-427</b>  | –   |   | <b>30848-328</b>   |
|  | 6   | <b>30848-313</b>  | <b>30848-428</b>  | –   |   | <b>30848-329</b>   |
|  | 7   | <b>30848-301</b>  | <b>30848-429</b>  | –   |   | <b>30848-330</b>   |
|  | 8   | <b>30848-314</b>  | <b>30848-430</b>  | <b>30848-869</b>  |   | <b>30848-331</b>   |
|  | 9   | <b>30848-299</b>  | –   | –   | <b>21101-853</b>  | <b>21101-854</b>   |
|  | 10  | <b>30848-315</b>  | <b>30848-431</b>  | –   |   | <b>30848-333</b>   |
|  | 11  | <b>20848-228</b>  | –   | –   |   | –  |
|  | 12  | <b>30848-316</b>  | <b>30848-432</b>  | <b>30848-985</b>  |   | <b>30848-335</b>   |
|  | 14  | <b>20848-230</b>  | –   | –   |   | –  |
|  | 16  | <b>20848-232</b>  | –   | –   |   | –  |
| <b>6 U Height</b>  |   |   |   |   |   |  |
|  <p>04608066</p>                                | 4   | <b>30848-317</b>  | <b>30848-317</b>  | <b>30848-317</b>  |   | <b>30848-336</b>   |
|  | 5   | <b>30848-304</b>  | <b>30848-304</b>  | <b>30848-304</b>  |   | <b>30848-337</b>   |
|  | 6   | <b>30848-318</b>  | <b>30848-318</b>  | <b>30848-318</b>  |   | <b>30848-338</b>   |
|  | 7   | <b>30848-305</b>  | <b>30848-305</b>  | <b>30848-305</b>  |   | <b>30848-339</b>   |
|  | 8   | <b>30848-319</b>  | <b>30848-319</b>  | <b>30848-319</b>  |   | <b>30848-340</b>   |
|  | 9   | <b>30848-999</b>  | <b>30848-999</b>  | <b>30848-999</b>  | <b>21101-855</b>  | <b>21101-856</b>   |
|  | 10  | <b>30848-320</b>  | <b>30848-320</b>  | <b>30848-320</b>  |   | <b>30848-342</b>   |
|  | 11  | <b>20848-244</b>  | <b>20848-244</b>  | <b>20848-244</b>  |   | –  |
|  | 12  | <b>30848-321</b>  | <b>30848-321</b>  | <b>30848-321</b>  |   | <b>30848-344</b>   |
|  | 14  | <b>20848-246</b>  | <b>20848-246</b>  | <b>20848-246</b>  |   | –  |
|  | 16  | <b>20848-248</b>  | <b>20848-248</b>  | <b>20848-248</b>  |   | –  |
| Fixing material see page   | 7.27  | 7.27  | 7.27  |   |   | 7.27   |
| Dimensions see page  | 7.30  | 7.30  | 7.29  |   |   | 7.31   |

1) SPQ (standard pack quantity): Part number includes 1 piece, but delivery is exclusively made in standard pack quantity (SPQ); please order at least the SPQ quantity or a multiple

Part no. includes one packing unit (PU); delivery is exclusively made in PU

# Modules – for CompactPCI, VME64x

**INDIVIDUAL COMPONENTS**
**INSERTER/EXTRACTOR HANDLE, TYPE IEL**
**ORDER INFORMATION**

|   | Inserter/extractor handle, type IEL, board fixing without offset   |                  |  |                  | Inserter/extractor handle, type IEL, board fixing with 0.1" offset  |                  |  |                  |                  |  |  |
|---|--|------------------|--|------------------|---|------------------|--|------------------|------------------|--|--|
|   | lever: light grey, RAL 7035<br>key: black, RAL 9005  |                  | lever: black, RAL 9005<br>key: lightgrey, RAL 7035                                 |                  | lever: light grey, RAL 7035<br>key: black, RAL 9005   |                  | lever: black, RAL 9005<br>key: lightgrey, RAL 7035                                   |                  |                  |  |  |
|   |   |                  |   |                  |   |                  |   |                  |                  |  |  |
|   |    |                  |  |                  |   |                  |  |                  |                  |  |  |
|   | <p>in accordance with IEEE 1101.10 and IEC 60297-3-102, with locking, suitable for insertion and extraction forces up to 700 N (per pair), suitable for fitting of microswitches; block die-cast zinc, nickel-plated, with integrated alignment pin for perforated strip, codable to IEEE 1101.10 and IEC 60297-3-103, lever/key UL 94 V0, EN 45545-2, R22 - R24, HL 3, slotted Pozidrive collar screw, M2.5 x 12.3, St, nickel-plated, panhead screw with Torx, M2.5 x 7, St, nickel-plated</p> |                  |  |                  | <p>in accordance with IEEE 1101.10 and IEC 60297-3-102, with locking, suitable for insertion and extraction forces up to 700 N (per pair), suitable for fitting of microswitches; 0.1" offset is used for PSUs with SMD Plus, block die-cast zinc, nickel plated; with integrated alignment pin for perforated strip, codable to IEEE 1101.10 and IEC 60297-3-103, lever/key UL 94V0, EN 45545-2, R22 - R24, HL 3, slotted Pozidrive collar screw, M2.5 x 12.3, St, nickel-plated, panhead screw with Torx, M2.5 x 7, St, nickel-plated</p> |                  |  |                  |                  |  |  |
| <b>Assembly</b>   | PU 10 pieces   | PU 100 pieces    | PU 10 pieces   | PU 100 pieces    | PU 10 pieces  | PU 100 pieces    | PU 10 pieces   | PU 100 pieces    |                  |  |  |
|  | <b>3 U Height bottom</b>   |                  |  |                  |   |                  |  |                  |                  |  |  |
|   | <b>Front side</b>  | <b>20817-620</b> | <b>20817-621</b>   | <b>20817-612</b> | <b>20817-613</b>  | <b>20817-690</b> | <b>20817-691</b>   | <b>20817-682</b> | <b>20817-683</b> |  |  |
|   | <b>Rear I/O</b>  | <b>20817-622</b> | <b>20817-623</b>   | <b>20817-614</b> | <b>20817-615</b>  | -                | -  | -                | -                |  |  |
|  | <b>6 U Height top</b>  |                  |  |                  |   |                  |  |                  |                  |  |  |
|   | <b>Front side</b>  | <b>20817-622</b> | <b>20817-623</b>   | <b>20817-614</b> | <b>20817-615</b>  | <b>20817-692</b> | <b>20817-693</b>   | <b>20817-684</b> | <b>20817-685</b> |  |  |
|   | <b>Rear I/O</b>  | <b>20817-620</b> | <b>20817-621</b>   | <b>20817-612</b> | <b>20817-613</b>  | -                | -  | -                | -                |  |  |
|   | <b>bottom</b>  |                  |  |                  |   |                  |  |                  |                  |  |  |
|   | <b>Front side</b>  | <b>20817-620</b> | <b>20817-621</b>   | <b>20817-612</b> | <b>20817-613</b>  | <b>20817-690</b> | <b>20817-691</b>   | <b>20817-682</b> | <b>20817-683</b> |  |  |
|   | <b>Rear I/O</b>  | <b>20817-622</b> | <b>20817-623</b>   | <b>20817-614</b> | <b>20817-615</b>  | -                | -  | -                | -                |  |  |
| Dimensions see page   |  |                  |  | 7.32             |   |                  |  | 7.32             |                  |  |  |

# Plug-in units – for CompactPCI, VME64x

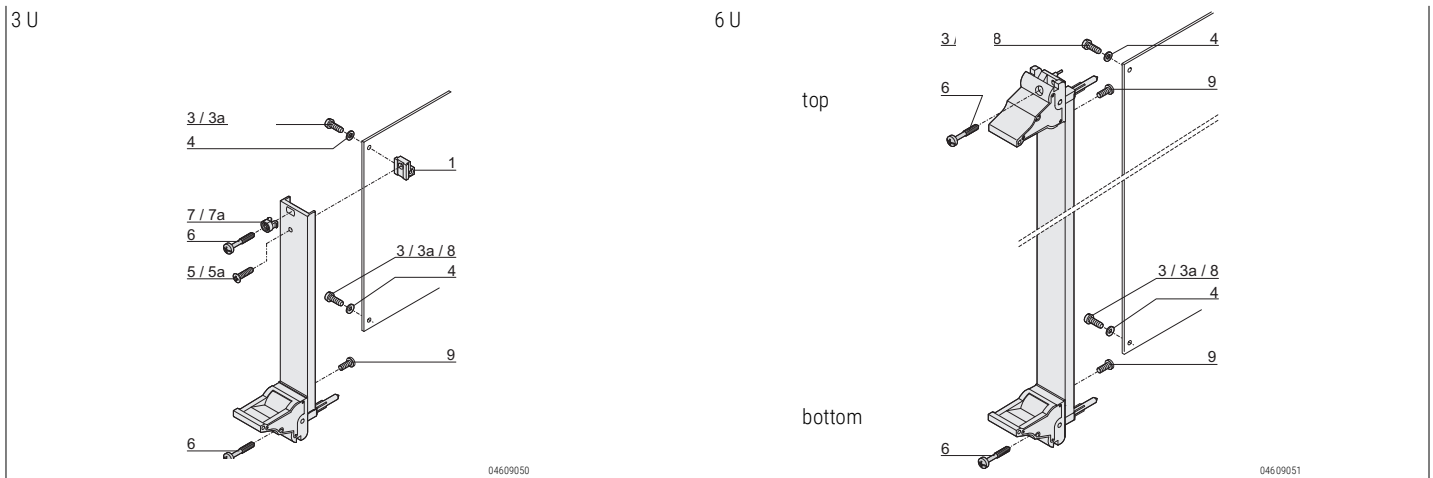
**INDIVIDUAL COMPONENTS**

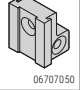

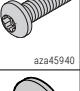
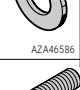
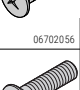
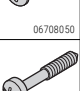


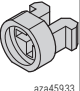



**INSERTER/EXTRACTOR HANDLE, TYPE IET**

## ORDER INFORMATION

|  |  | Inserter/extractor handle, type IET, board fixing without offset   |                  |   |                  | Inserter/extractor handle, type IET, board fixing with 0.1" offset   |                  |   |                  |
|--|--|--|------------------|---|------------------|--|------------------|---|------------------|
|  |  | lever: light grey, RAL 7035<br>key: black, RAL 9005  |                  | lever: black, RAL 9005<br>key: lightgrey, RAL 7035  |                  | lever: light grey, RAL 7035<br>key: black, RAL 9005  |                  | lever: black, RAL 9005<br>key: lightgrey, RAL 7035  |                  |
|  |  | <br>  |                  | <br> |                  | <br>  |                  | <br> |                  |
|  |  | <p>in accordance with IEEE 1101.10 and IEC 60297-3-102, with locking, suitable for insertion and extraction forces up to 700 N (per pair), suitable for fitting of microswitches; block die-cast zinc, nickel-plated, with integrated alignment pin for perforated strip, codable to IEEE 1101.10 and IEC 60297-3-103, lever/key UL 94 V0, EN 45545-2, R22 - R24, HL 3, Slotted Pozidrive collar screw, M2.5 x 12.3, St, nickel-plated, panhead screw with Torx, M2.5 x 7, St, nickel-plated</p> |                  |   |                  | <p>in accordance with IEEE 1101.10 and IEC 60297-3-102, with locking, suitable for insertion and extraction forces up to 700 N (per pair), suitable for fitting of microswitches; 0.1" offset is used for PSUs with SMD Plus: block die-cast zinc, nickel plated; with integrated alignment pin for perforated strip, codable to IEEE 1101.10 and IEC 60297-3-103, lever/key UL 94 V0, EN 45545-2, R22 - R24, HL 3, slotted Pozidrive collar screw, M2.5 x 12.3, St, nickel-plated, panhead screw with Torx, M2.5 x 7, St, nickel-plated</p> |                  |   |                  |
| <b>Assembly</b>  |  | PU 10 pieces   | PU 100 pieces    | PU 10 pieces  | PU 100 pieces    | PU 10 pieces   | PU 100 pieces    | PU 10 pieces  | PU 100 pieces    |
|  |  | <b>3 U Height bottom</b>   |                  |   |                  |  |                  |   |                  |
| <b>Front side</b>  |  | <b>20817-660</b>   | <b>20817-661</b> | <b>20817-652</b>  | <b>20817-653</b> | <b>20817-714</b>   | <b>20817-715</b> | <b>20817-706</b>  | <b>20817-707</b> |
| <b>Rear I/O</b>  |  | <b>20817-662</b>   | <b>20817-663</b> | <b>20817-654</b>  | <b>20817-655</b> | -  | -                | -   | -                |
|  |  | <b>6 U Height top</b>  |                  |   |                  |  |                  |   |                  |
| <b>Front side</b>  |  | <b>20817-662</b>   | <b>20817-663</b> | <b>20817-654</b>  | <b>20817-655</b> | <b>20817-716</b>   | 20817-717        | <b>20817-708</b>  | <b>20817-709</b> |
| <b>Rear I/O</b>  |  | <b>20817-660</b>   | <b>20817-661</b> | <b>20817-652</b>  | <b>20817-653</b> | -  | -                | -   | -                |
|  |  | <b>bottom</b>  |                  |   |                  |  |                  |   |                  |
| <b>Front side</b>  |  | <b>20817-660</b>   | <b>20817-661</b> | <b>20817-652</b>  | <b>20817-653</b> | <b>20817-714</b>   | <b>20817-715</b> | <b>20817-706</b>  | <b>20817-707</b> |
| <b>Rear I/O</b>  |  | <b>20817-662</b>   | <b>20817-663</b> | <b>20817-654</b>  | <b>20817-655</b> | -  | -                | -   | -                |
| Fixing material see page   |  | 7.27   |                  |   |                  | 7.27   |                  |   |                  |
| Dimensions see page  |  | 7.33   |                  |   |                  | 7.33   |                  |   |                  |

# Plug-in units – for CompactPCI, VME64x

**INDIVIDUAL COMPONENTS**
**INSERTER/EXTRACTOR HANDLES, TYPE IEL/IET, FIXING MATERIAL**


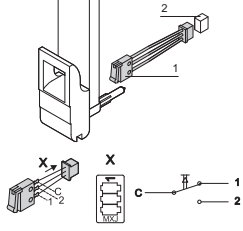
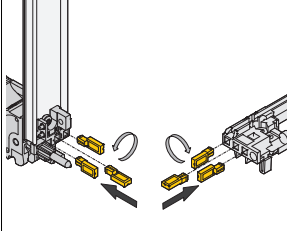
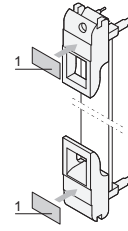
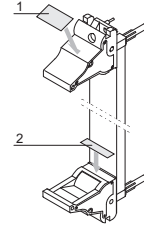
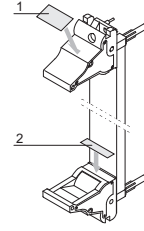
| Fixing material   | Item | 3 U   | Required quantity |        |        |        | Qty/PU                            | Part no.         |
|---|------|---|-------------------|--------|--------|--------|-----------------------------------|------------------|
|   |      |   | 3 U               |        | 6 U    |        |                                   |                  |
|   |      |   | < 8 HP            | ≥ 8 HP | < 8 HP | ≥ 8 HP |                                   |                  |
| Printed board bracket<br>Zn die-cast  | 1    |    | 1                 | 1      | -      | -      | 1 piece<br>(SPG 10) <sup>1)</sup> | <b>60807-181</b> |
| Pozidrive panhead screw<br>M2.5 × 6, St, nickel-plated, not for 0.1" offset                                 | 3    |  | 2                 | 2      | 2      | 2      | 100                               | <b>21101-219</b> |
| Slotted panhead screw with Torx 8<br>M2.5 × 6, St, zinc-plated, self-securing thread<br>not for 0.1" offset | 3a   |  | 2                 | 2      | 2      | 2      | 100                               | <b>24560-159</b> |
| Washer<br>2.7, DIN 125, St, nickel-plated   | 4    |  | 2                 | 2      | 2      | 2      | 100                               | <b>21100-721</b> |
| Raised Pozidrive countersunk panhead screw<br>M2.5 × 8, St, nickel-plated                                   | 5    |  | 1                 | 1      | -      | -      | 100                               | <b>21100-429</b> |
| Raised countersunk panhead screw with Torx 8<br>M2.5 × 8, St, nickel-plated                                 | 5a   |  | 1                 | 1      | -      | -      | 100                               | <b>24560-164</b> |
| Pozidrive/slot collar screw<br>M2.5 × 12.3, St, nickel-plated   | 6    |  | 1                 | 3      | -      | 2      | 100                               | <b>21101-101</b> |
| Collar screws pozidrive/slot (Philips)<br>M2.5 × 12.3, St, nickel-plated                                    | 6    |  | 1                 | 3      | -      | 2      | 100                               | <b>21102-026</b> |
| Plastic sleeve, for form hole 5.9 x 3.3<br>PA, UL 90 V-2, grey  | 7    |  | 1                 | 3      | -      | 2      | 100                               | <b>21100-464</b> |
| Metal sleeve, for form hole 5.9 x 3.3, press-in<br>Stainless steel  | 7a   |  | 1                 | 3      | -      | 2      | 100                               | <b>21100-662</b> |
| Pozidrive panhead screw<br>for IEL/IET handle with 0.1" offset<br>M2.5 × 10, nickel-plated steel            | 8    |  | 2                 | 2      | 2      | 2      | 100                               | <b>21101-220</b> |
| Torx panhead screw<br>M2.5 × 7, St, nickel-plated, Torx 8,  | 9    |  | 1                 | 1      | 2      | 2      | 100                               | <b>24560-147</b> |

SPQ (standard pack quantity): Part number includes 1 piece, but delivery is exclusively made in standard pack quantity (SPQ); please order at least the SPQ quantity or a multiple

**Part number in bold face type: ready for despatch within 2 working days**  
Part number in normal type: ready for despatch within 10 working days

# Plug-in units – for CompactPCI, VME64x

**INDIVIDUAL COMPONENTS**
**INSERTER/EXTRACTOR HANDLES, TYPE IEL/IET, ACCESSORIES**
**ORDER INFORMATION**

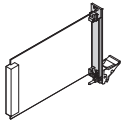
| Microswitch  | Keying/coding   | Label strips  | Label strips  |   |
|--|---|---|---|---|
| with cable and plug  | in accordance with IEC 60297-3-103  | 19 x 9.5 mm   | 19 x 9.5 mm   | 19 x 4.8 mm   |
|  <p>bga46314 bga46315</p> <p>Molex connector housing 51021-0300, Molex crimp contact 50058-8000 and fixing clip (item 3), plastic, PC, UL 94 V-0, max. switched current 50 mA, operating range -25 °C to +70 °C, mech. life ≥ 20,000 switching cycles, electr. life ≥ 20,000 switching cycles; suitable mating connectors (item 2) e.g. Molex 53261-0319, 53048-0310, 53047-0310, 53398-0319, 51047-0300 not included in scope of delivery</p> |  <p>04612052</p> <p>The keying/coding pegs prevent plug-in units to be mounted in wrong slots. They are inserted in the chambers of the codable card guides as well as in the insertion/extraction handles IEL or IET (4 possible positions), resulting in 64 codings per card guide; when coding the upper and lower card guide, 4096 codings will result; guide rails for coding see page 6.40</p> |  <p>04606050</p> <p>Polyester, self-adhesive, white, 1 sheet 210 pieces (Item 1)</p> |  <p>bga46317</p> <p>Polyester, self-adhesive, white, 1 sheet 210 pieces (item 1)</p> |  <p>bga46317</p> <p>Polyester, self-adhesive, white, 1 sheet 320 pieces (item 2)</p> |
| PU 10 pieces   | PU 100 pieces   | PU 210 pieces   | PU 210 pieces   | PU 320 pieces   |
| <b>3 U Height</b>  |   |   |   |   |
| bottom   |   |   |   |   |
| <b>20817-606</b>   | <b>20817-501</b>  | <b>60817-340</b>  | <b>60817-340</b>  | <b>60817-341</b>  |
| <b>6 U Height</b>  |   |   |   |   |
| top  |   |   |   |   |
| <b>20817-606</b>   | <b>20817-501</b>  | <b>60817-340</b>  | <b>60817-340</b>  | <b>60817-341</b>  |
| bottom   |   |   |   |   |
| <b>20817-606</b>   | <b>20817-501</b>  | <b>60817-340</b>  | <b>60817-340</b>  | <b>60817-341</b>  |



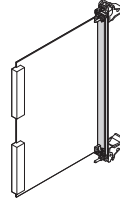
# Plug-in units – for CompactPCI, VME64x

**DIMENSIONS**
**FRONT PANELS, U-PROFILES, INSERTER/EXTRACTOR HANDLES, TYPE IEL/IET, REAR I/O, SHIELDABLE**

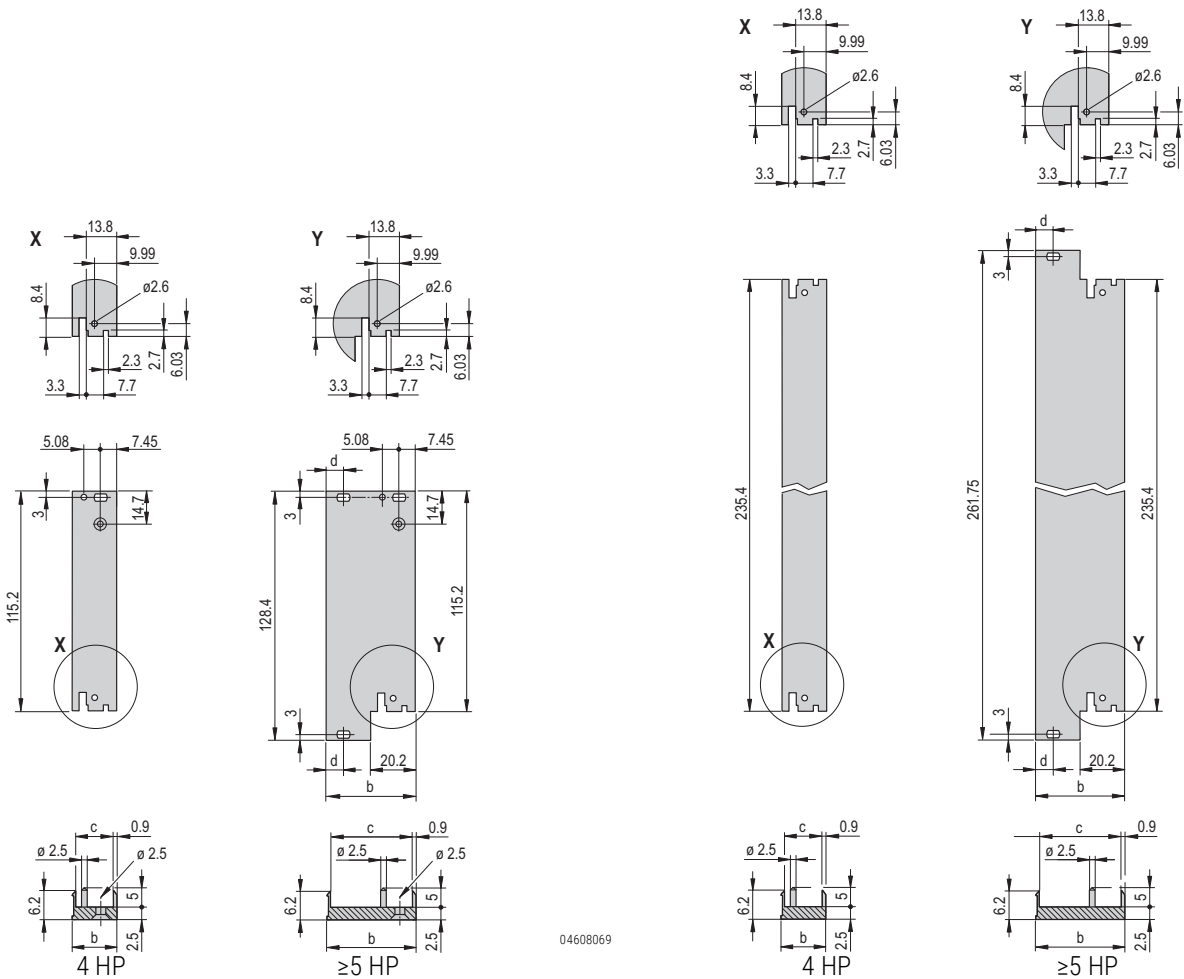
PCB fixing without offset

**3 U**


04608068

**6 U**


04608076

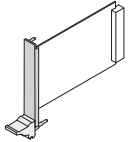

**Dimensions table**

| Width<br>HP | b<br>mm | c<br>mm | d<br>mm |
|-------------|---------|---------|---------|
| 4           | 19.98   | 17.45   | -       |
| 5           | 25.06   | 22.53   | -       |
| 6           | 30.14   | 27.61   | -       |
| 7           | 35.22   | 32.69   | -       |
| 8           | 40.30   | 37.77   | 7.45    |
| 9           | 45.38   | 42.85   | 7.45    |
| 10          | 50.46   | 47.93   | 7.45    |
| 11          | 55.54   | 53.01   | 7.45    |
| 12          | 60.62   | 58.09   | 7.45    |
| 14          | 70.78   | 68.25   | 7.45    |
| 16          | 80.94   | 78.41   | 7.45    |

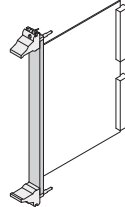
# Plug-in units – for CompactPCI, VME64x

**DIMENSIONS**
**FRONT PANELS, U-PROFILES, INSERTER/EXTRACTOR HANDLES, TYPE IEL, IET, SHIELDABLE**

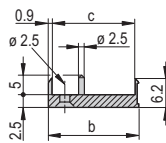
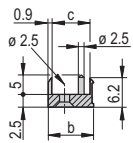
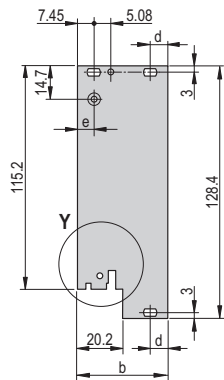
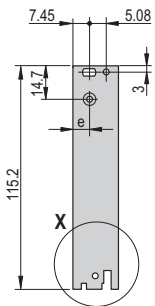
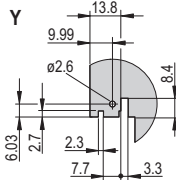
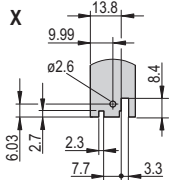
PCB fixing without offset / with 0.1" offset

**3 U**


04608067

**6 U**


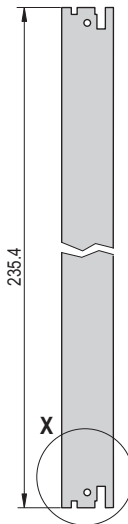
04608066



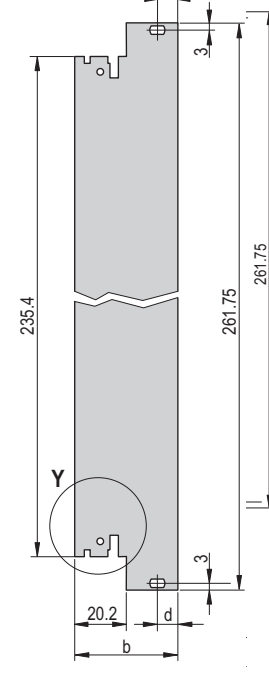
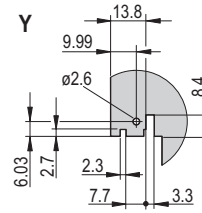
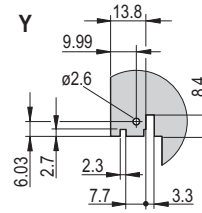
4 HP

≥5 HP

04608064



4 HP



≥5 HP

04608065

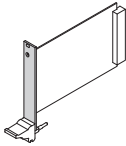
**Dimensions table**

| Width<br>HP | b<br>mm | c<br>mm | d<br>mm | without offset | with 0.1" offset |
|-------------|---------|---------|---------|----------------|------------------|
|             |         |         |         | e<br>mm        | e<br>mm          |
| 4           | 19.98   | 17.45   | -       | 7.45           | 9.99             |
| 5           | 25.06   | 22.53   | -       | 7.45           | 9.99             |
| 6           | 30.14   | 27.61   | -       | 7.45           | 9.99             |
| 7           | 35.22   | 32.69   | -       | 7.45           | 9.99             |
| 8           | 40.30   | 37.77   | 7.45    | 7.45           | 9.99             |
| 9           | 45.38   | 42.85   | 7.45    | 7.45           | 9.99             |
| 10          | 50.46   | 47.93   | 7.45    | 7.45           | 9.99             |
| 11          | 55.54   | 53.01   | 7.45    | 7.45           | 9.99             |
| 12          | 60.62   | 58.09   | 7.45    | 7.45           | 9.99             |
| 14          | 70.78   | 68.25   | 7.45    | 7.45           | 9.99             |
| 16          | 80.94   | 78.41   | 7.45    | 7.45           | 9.99             |

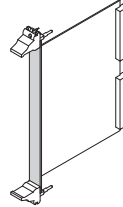
# Plug-in units – for CompactPCI, VME64x

**DIMENSIONS**
**FRONT PANELS, INSERTER/EXTRACTOR HANDLES, TYPE IEL/IET, UNSHIELDED**

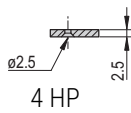
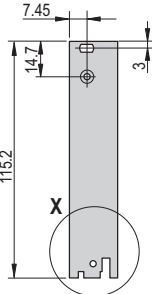
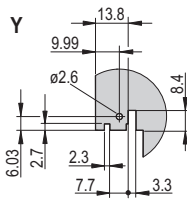
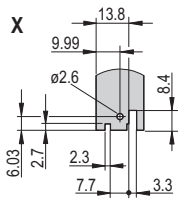
PCB fixing without offset

**3 U**


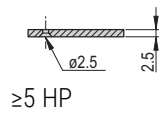
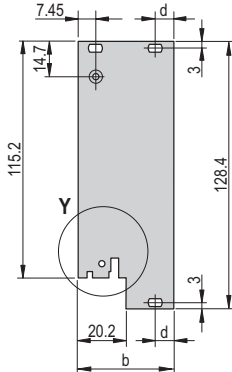
04608080

**6 U**


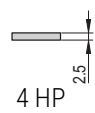
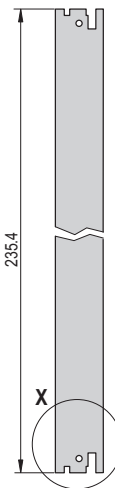
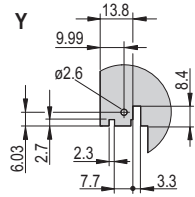
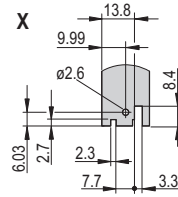
04608079



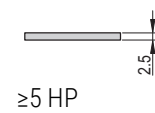
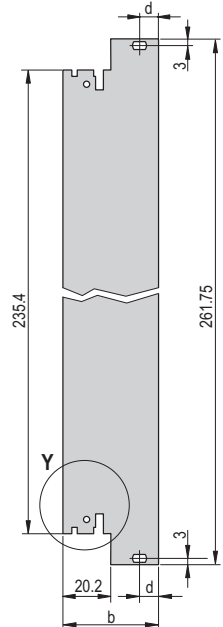
4 HP


 $\geq 5$  HP

04608077



4 HP


 $\geq 5$  HP

04608078

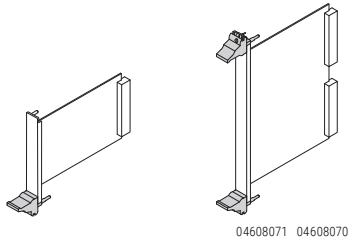
**Dimensions table**

| Width<br>HP | b<br>mm | d<br>mm |
|-------------|---------|---------|
| 4           | 19.98   | -       |
| 5           | 25.06   | -       |
| 6           | 30.14   | -       |
| 7           | 35.22   | -       |
| 8           | 40.30   | 7.45    |
| 9           | 45.38   | 7.45    |
| 10          | 50.46   | 7.45    |
| 11          | 55.54   | 7.45    |
| 12          | 60.62   | 7.45    |
| 14          | 70.78   | 7.45    |
| 16          | 80.94   | 7.45    |

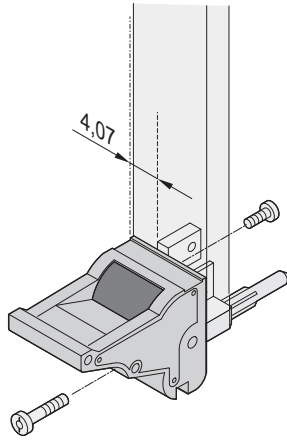
# Plug-in units – for CompactPCI, VME64x

**DIMENSIONS**

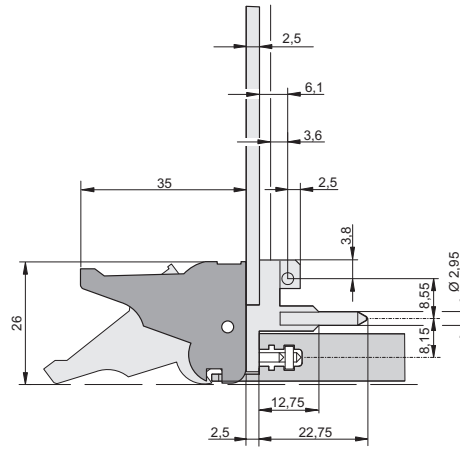
**INSERTER/EXTRACTOR HANDLE, TYPE IEL**



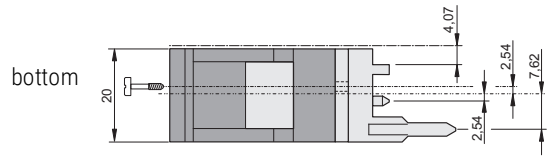
04608071 04608070



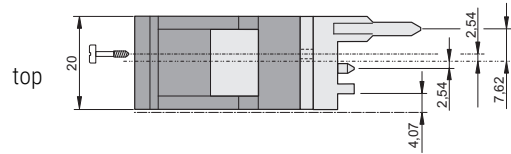
04608050



04603059



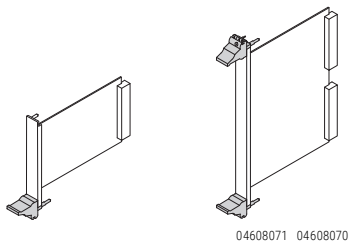
04607053



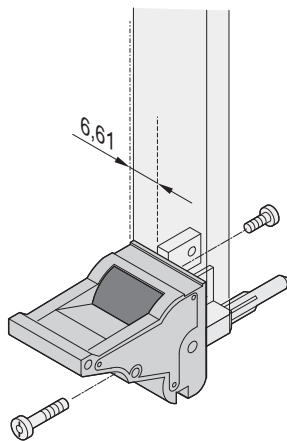
04607054

**DIMENSIONS**

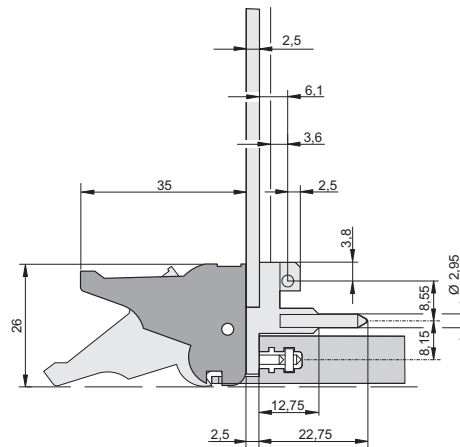
**INSERTER/EXTRACTOR HANDLE, TYPE IEL, 0.1" OFFSET**



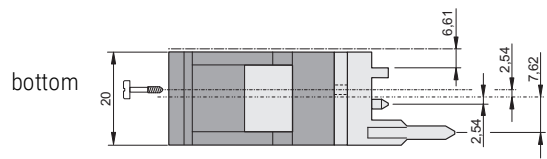
04608071 04608070



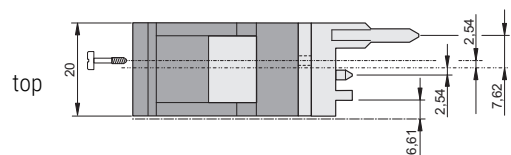
04608051



04603059

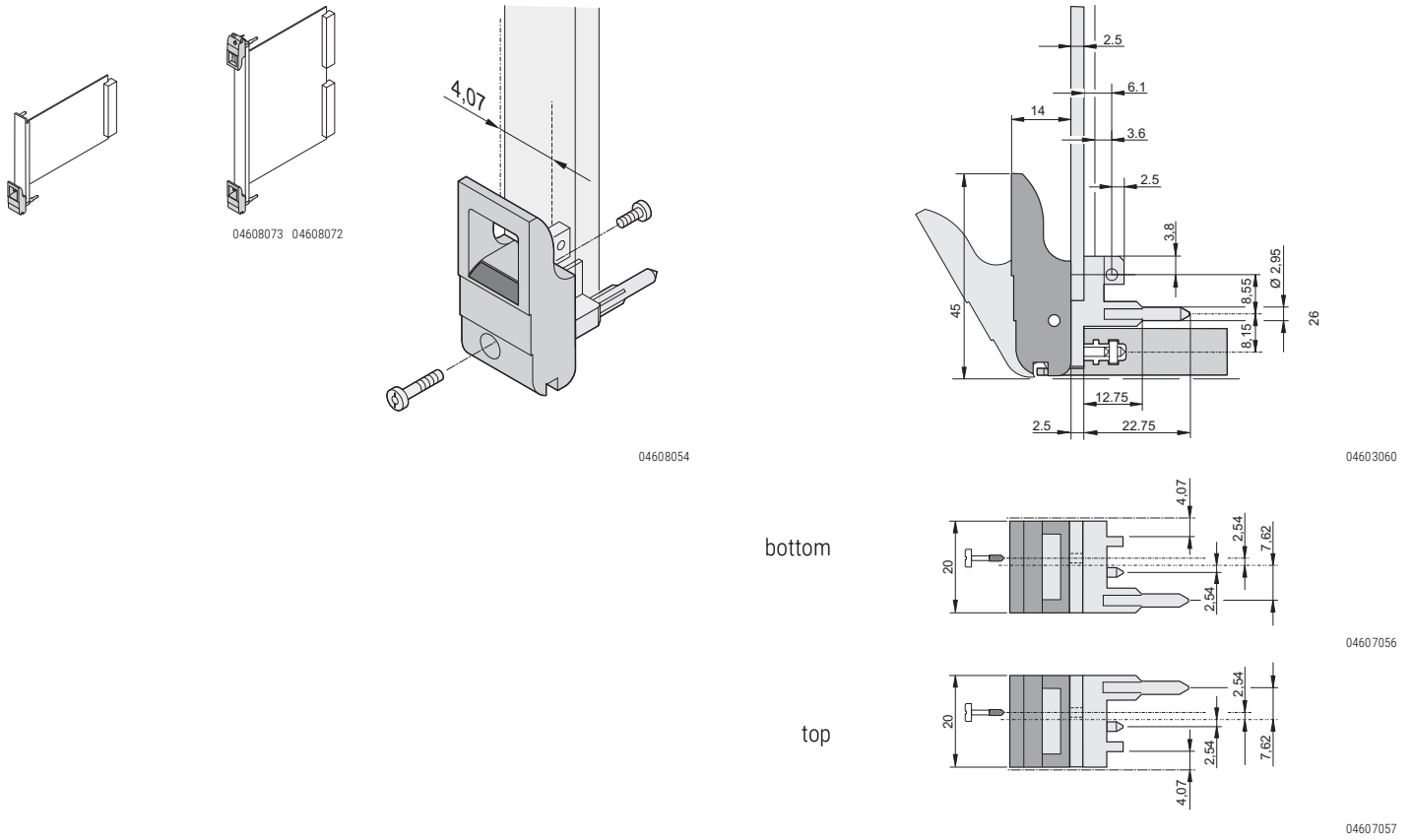
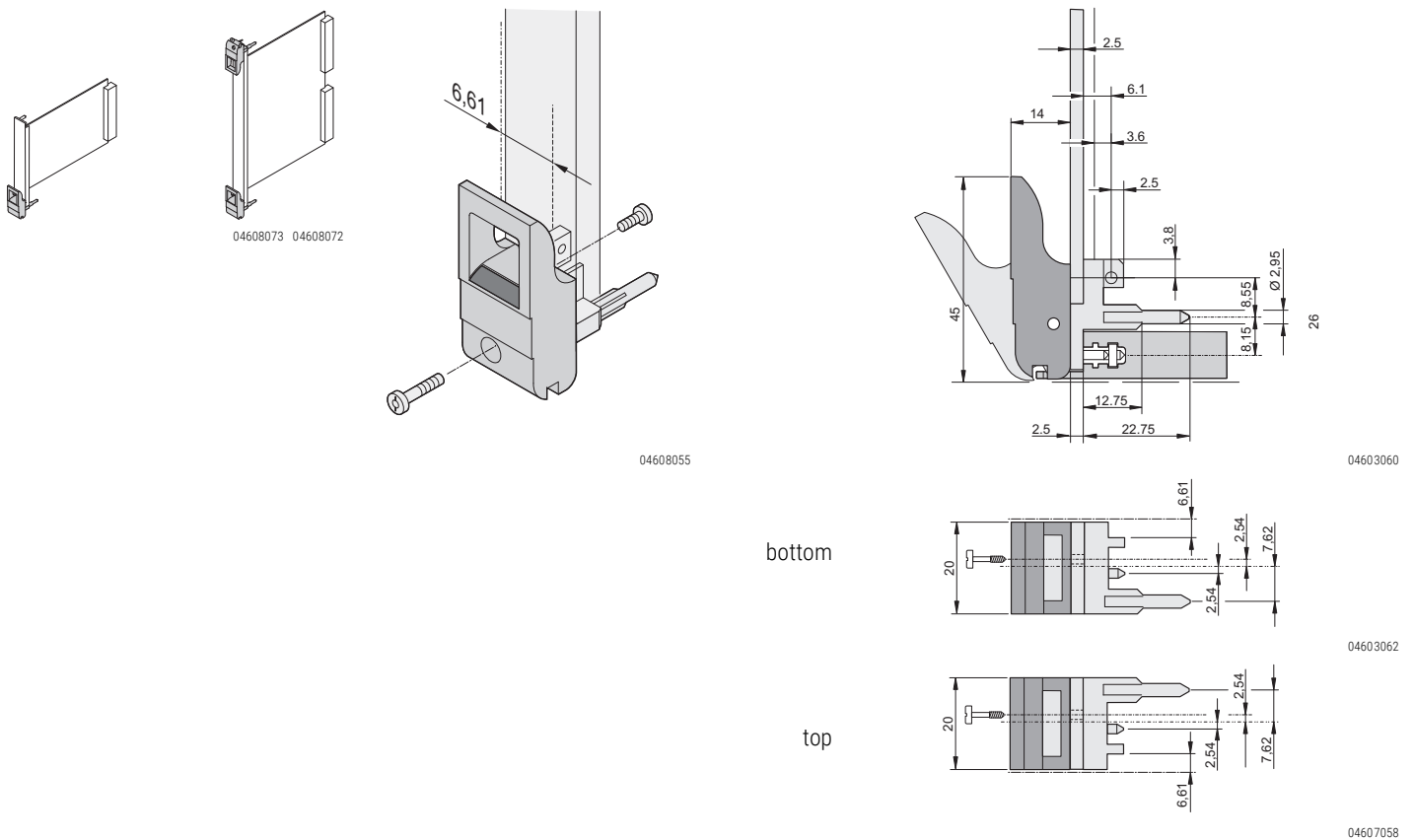


04603061



04607055

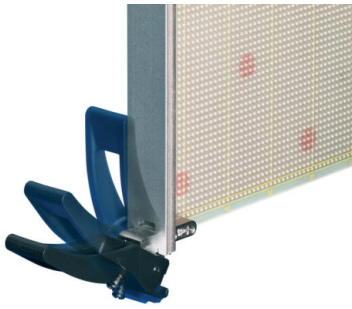
# Plug-in units – for CompactPCI, VME64x

**DIMENSIONS**
**INSERTER/EXTRACTOR HANDLE, TYPE IET**

**DIMENSIONS**
**INSERTER/EXTRACTOR HANDLE, TYPE IET, 0.1" OFFSET**




# Plug-in units – for CompactPCI, VME64x,

## PLUG-IN UNITS WITH XL INSERTION/EXTRACTOR HANDLE FOR COMPACTPCI, VME64X, VXS AND VPX APPLICATIONS



- Suitable for insertion and extraction forces up to 1500 N (per pair)
- To IEEE 1101.10 and IEC 60297-3-102
- Codable to IEC 60297-3-103/ IEEE 1101.10
- Front panel, shielded (6 U)
- Versions allowing microswitches to be fitted on request
- Online download of 3D CAD data

### DELIVERY INCLUDES (Kit)

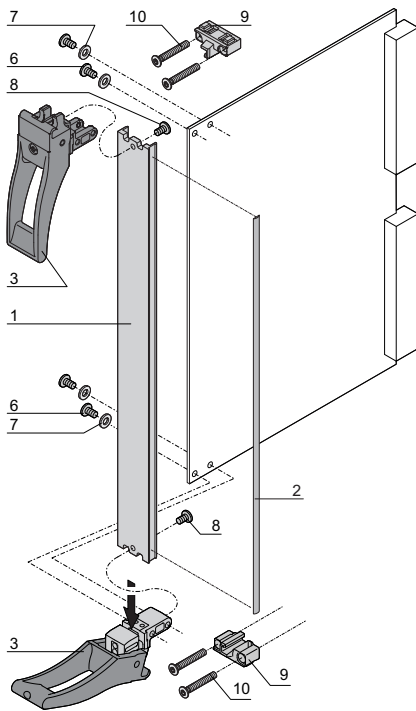
| Item | Qty   |       | Description   |
|------|-------|-------|---|
|      | <8 HP | ≥8 HP |   |
| 1    | 1     | 1     | Front panel (U profile), Al, front anodized, rear conductive  |
| 2    | 1     | 1     | EMC sealing (textile), core: foam, sleeve: textile cladding, CuNi coated  |
| 3    | 2     | 2     | Handle with integrated alignment pin for perforated strips and guide rails, lever: plastic, PC, black, RAL 9005<br>Key: Plastic, PC, light gray, RAL 7035 |
| 4    | -     | 2     | Sleeve, PA, gray  |
| 5    | -     | 2     | Pozidrive collar screw, M2.5 × 12.3, St, nickel-plated  |
| 6    | 4     | 4     | Panhead screw with Torx/slot, M2.5 × 6, St, zinc-plated, self-locking   |
| 7    | 4     | 4     | Washer A2.7, DIN 125, St, nickel-plated   |
| 8    | 4     | 4     | Pan head screw with torx M2.5 × 7, St, zinc-plated  |
| 9    | 1     | 1     | XL bearing, zinc diecast, nickel-plated   |
| 10   | 4     | 4     | Countersunk screw with torx M2.5 × 17, St, zinc-plated  |

### ORDER INFORMATION

| Width<br>HP       | Part no.         |
|-------------------|------------------|
| <b>6 U Height</b> |                  |
| 4                 | <b>20848-769</b> |
| 8                 | <b>20848-770</b> |
| 12                | <b>20848-771</b> |

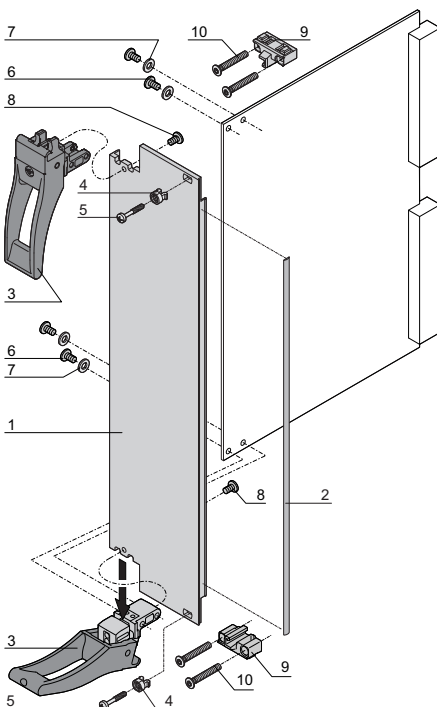
### NOTE

- Can only be used in connection with H-LD or R-LD module rails
- Dimension drawing of front profile, see page 7.32



< 8 HP

04613055


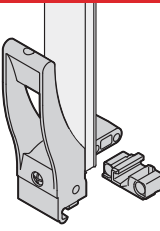
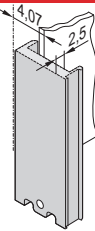
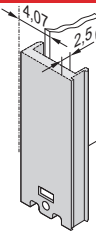
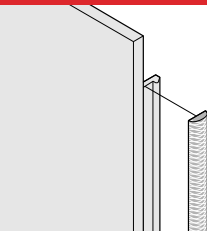
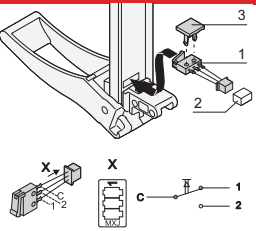


≥8 HP

04613056

# Plug-in units – for CompactPCI, VME64x,

**INDIVIDUAL COMPONENTS**
**INSERTER/EXTRACTOR HANDLE, TYPE XL, FRONT PANELS, MICROSWITCH**

|   | Inserter/extractor handle, type XL   | U front profile, shieldable, for inserter/extractor handle, type XL                           |   | EMC gasket (textile)   |  | Microswitch item 1 with cable and plug  |
|---|--|---|---|--|--|---|
|   |  | without cut-out for microswitch   | with cut-out for microswitch  |  |  |   |
| <br>04605008 | <br>04608081  | <br>04608082 | <br>04608083 | <br>BGA45760   | <br>04608084 bga46315 |   |
|   | kit, incl. die-cast bearing and assembly kit; insertion and extraction force up to 1500 Nm per pair;<br><br>handle in PA, fibreglass reinforced, UL 94V 0;<br><br>robust board fixing with double bolt fixing, microswitches can be fitted | Al, front anodised, sides and rear conductive, for sleeve and collar screw see page 7.41      | Al, front anodised, sides and rear conductive for sleeve and collar screw see page 7.41       | always fixed laterally on the front panel, in the groove of the profile, textile gasket, core: foam, sleeve: textile cladding with CuNi coating, UL 94 V-0 |  | Molex connector housing 51021-0300, Molex crimp contact 50058-8000 and fixing clip (item 3), plastic, PC, UL 94 V-0, max. switched current 50 mA, operating range -25 °C to +70 °C, mech. life ≥ 20,000 switching cycles, electr. life ≥ 20,000 switching cycles; suitable mating connector (item 2) e.g. Molex 53261-0319, 53048-0310, 53047-0310, 53398-0319, 51047-0300, not included in scope of delivery |
| Width HP  | PU 10 pieces   | 1 piece (SPQ 5) <sup>1)</sup>   | 1 piece (SPQ 5) <sup>1)</sup>   | PU 10 pieces   | PU 100 pieces  | PU 10 pieces  |
|   | <b>6 U Height</b>  |   |   |  |  |   |
| 4   |  | <b>30849-153</b>  | 30849-154   |  |  |   |
| 8   | <b>20817-874</b>   | <b>30849-155</b>  | 30849-156   | <b>21101-855</b>   | <b>21101-856</b>   | <b>20817-877</b>  |
| 12  |  | <b>30849-157</b>  | 30849-158   |  |  |   |
| Dimensions see page   | 7.30   | 7.30  | 7.30  |  |  |   |

1) SPQ (standard pack quantity): Part number includes 1 piece, but delivery is exclusively made in standard pack quantity (SPQ); please order at least the SPQ quantity or a multiple

Part no. includes one packing unit (PU); delivery is exclusively made in PU

**NOTE**

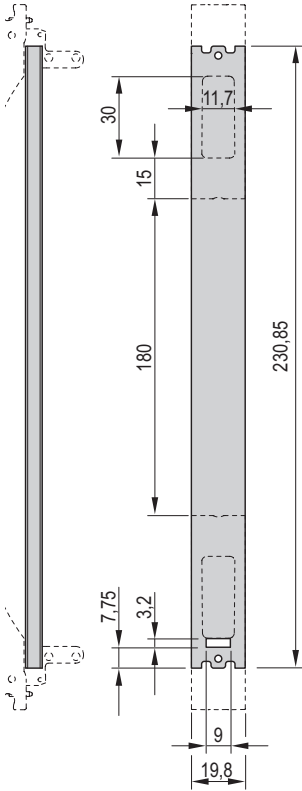
- Please order front panels separately

# Plug-in units – for CompactPCI, VME64x,

## DIMENSIONS

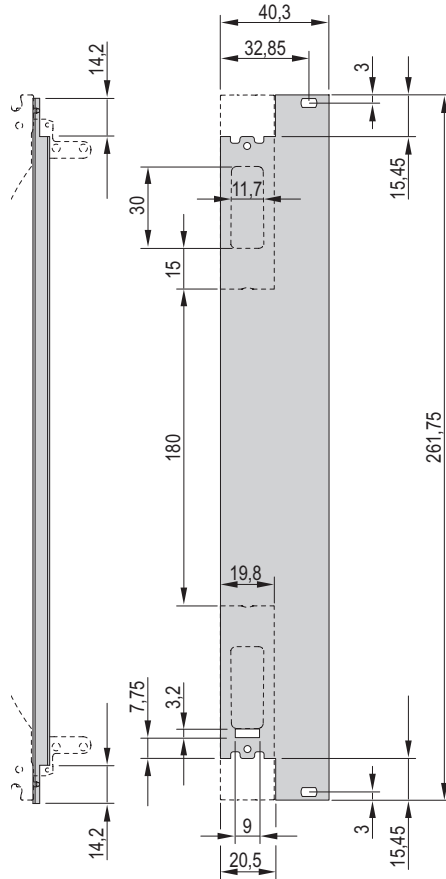
### U FRONT PROFILE FOR EXTRACTOR HANDLE TYPE XL, SHIELDABLE

6 U/4 HP



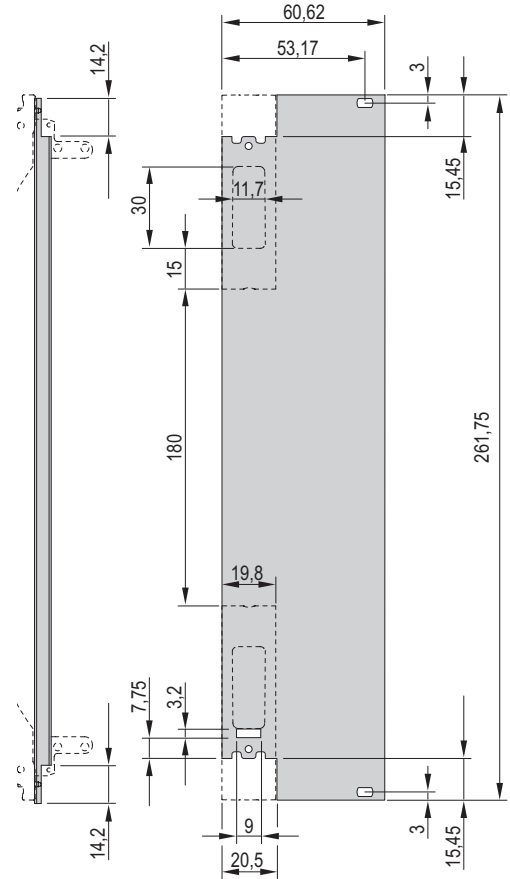
04605053

6 U/8 HP



04605054

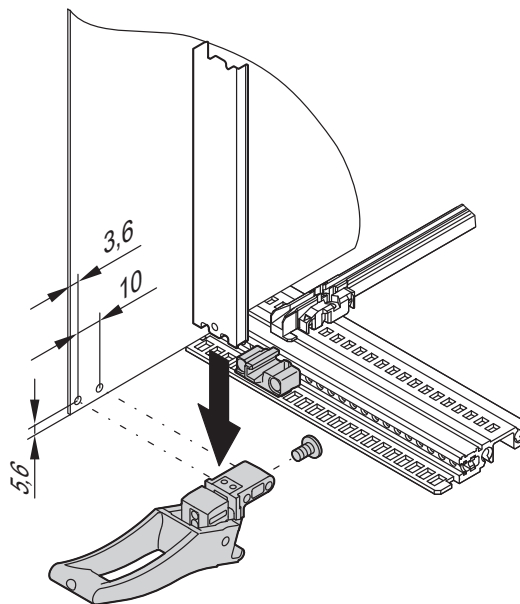
6 U/12 HP



04605055

## DIMENSIONS

### INSERTER/EXTRACTOR HANDLE, TYPE XL



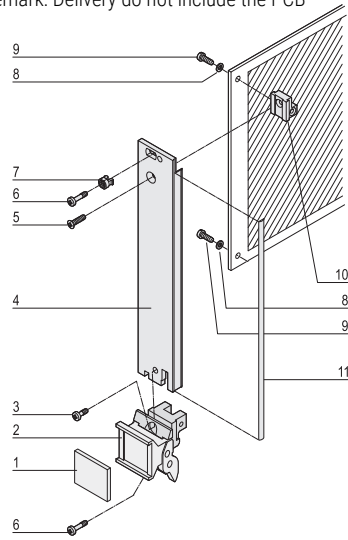
04608113

# Plug-in units – for VME

**KITS**
**PLUG-IN UNITS WITH TRAPEZIFORM EXTRACTOR HANDLE, TYPE 2**

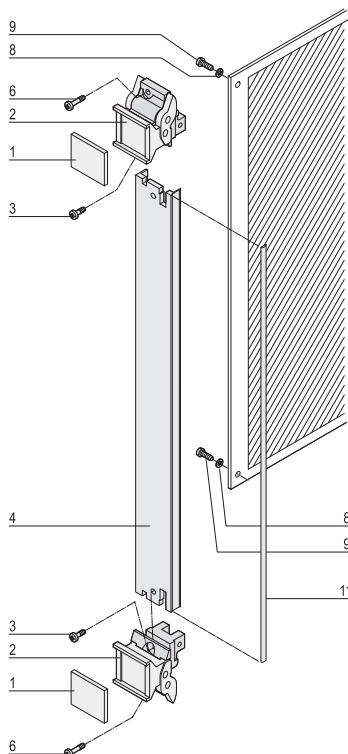

3 U

Remark: Delivery do not include the PCB



04604050

6 U



04604051

- Shielded
- Plastic Material:  
UL 94 V0, EN 45545-2, R22 - R24, HL3

**DELIVERY COMPRISES (kit)**

| Item | 3 U  |      | 6 U  |      | Description  |
|------|------|------|------|------|--|
|      | <8HP | ≥8HP | <8HP | ≥8HP |  |
| 1    | 1    | 1    | 2    | 2    | Identification plate, Al, 1.5 mm, anodised, cut edges untreated  |
| 2    | 1    | 1    | 2    | 2    | Extractor handle, trapeziform, type 2, lever: PC, light grey, RAL 7035, block die-cast zinc, nickel-plated, with integrated alignment pin for perforated strip |
| 3    | 1    | 1    | 2    | 2    | Pozidrive flathead screw, St, M2.5 x 6, nickel-plated  |
| 4    | 1    | 1    | 1    | 1    | Front panel, U profile, Al, front anodised, rear conductive  |
| 5    | 1    | 1    | -    | -    | Raised Pozidrive countersunk screw M2.5 x 8, St, nickel-plated   |
| 6    | 2    | 4    | 2    | 4    | Pozidrive collar screw, M2.5 x 12.3, St, nickel-plated,  |
| 7    | 1    | 3    | -    | 2    | Sleeve, PA, grey   |
| 8    | 2    | 2    | 2    | 2    | Washer A 2.7, DIN 125  |
| 9    | 2    | 2    | 2    | 2    | Panhead screw with Torx/slot, M2.5 x 6, St, zinc-plated, self-locking  |
| 10   | 1    | 1    | -    | -    | Board support, die-cast zinc   |
| 11   | 1    | 1    | 1    | 1    | EMC sealing (textile), core: foam, sleeve: textile cladding, Cu-Ni coated  |

**ORDER INFORMATION**

| Height<br>U | Width<br>HP | Part no.         |
|-------------|-------------|------------------|
| 3           | 4           | <b>20848-686</b> |
| 3           | 6           | <b>20848-687</b> |
| 3           | 8           | <b>20848-688</b> |
| 3           | 10          | 20848-689        |
| 3           | 12          | 20848-690        |
| 6           | 4           | <b>20848-691</b> |
| 6           | 6           | <b>20848-692</b> |
| 6           | 8           | <b>20848-693</b> |
| 6           | 10          | 20848-694        |
| 6           | 12          | 20848-695        |

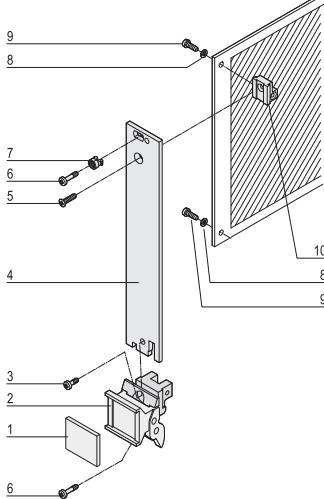
- Dimension drawings of front profile see page 7.42
- Description of microswitch see page 7.35

# Plug-in units – for VME

**KITS**
**PLUG-IN UNITS WITH TRAPEZIFORM EXTRACTOR HANDLE, TYPE 2**

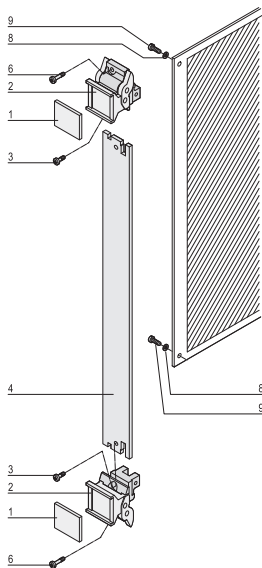

Remark: Delivery do not include the PCB

3 U



0460-4052

6 U



0460-4053

- Unshielded
- Plastic Material:  
UL 94 V0, EN 45545-2, R22 - R24, HL3

**DELIVERY COMPRISES (kit)**

| Item | Qty  |      |      |      | Description  |
|------|------|------|------|------|--|
|      | 3 U  |      | 6 U  |      |  |
|      | <8HP | ≥8HP | <8HP | 8 HP |  |
| 1    | 1    | 1    | 2    | 2    | Identification plate, Al, 1.5 mm, anodised, cut edges plain  |
| 2    | 1    | 1    | 2    | 2    | Extractor handle, trapeziform, type 2, lever: PC, light grey, RAL 7035, block: die-cast zinc, nickel-plated, without alignment PIN |
| 3    | 1    | 1    | 2    | 2    | Flathead screw M2.5 x 6, nickel-plated   |
| 4    | 1    | 1    | 1    | 1    | Front panel, Al, 2.5 mm, front: anodised, rear: iridescent green chromated   |
| 5    | 1    | 1    | -    | -    | Raised Pozidrive countersunk screw, M2.5 x 8, St, nickel-plated  |
| 6    | 2    | 4    | 2    | 4    | Slotted Pozidrive collar screw, M2.5 x 12.3, St, nickel-plated,  |
| 7    | 1    | 3    | -    | 2    | Sleeve, PA, grey   |
| 8    | 2    | 2    | 2    | 2    | Washer A 2.7, DIN 125  |
| 9    | 2    | 2    | 2    | 2    | Slotted Torx panhead screw, M2.5 x 6, St, zinc-plated, self-locking  |
| 10   | 1    | 1    | -    | -    | Board support, die-cast zinc   |

**ORDER INFORMATION**

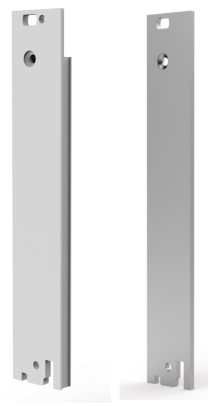
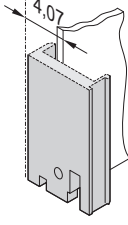
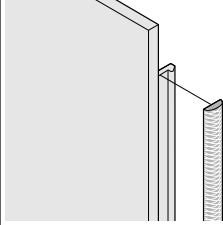
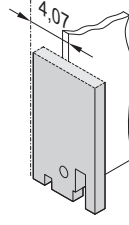
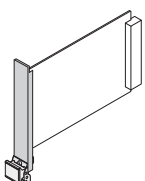
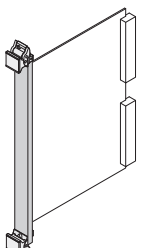
| Height | Width | Part no.         |
|--------|-------|------------------|
| U      | HP    |                  |
| 3      | 4     | <b>20817-860</b> |
| 3      | 5     | <b>20817-861</b> |
| 3      | 6     | <b>20817-862</b> |
| 3      | 7     | <b>20817-863</b> |
| 3      | 8     | <b>20817-864</b> |
| 3      | 10    | <b>20817-865</b> |
| 3      | 12    | <b>20817-866</b> |
| 6      | 4     | <b>20817-867</b> |
| 6      | 5     | <b>20817-868</b> |
| 6      | 6     | <b>20817-869</b> |
| 6      | 7     | <b>20817-870</b> |
| 6      | 8     | <b>20817-871</b> |
| 6      | 10    | 20817-872        |
| 6      | 12    | 20817-873        |

- Dimension drawing of front profile see page 7.42
- Description of microswitch see page 7.35



# Plug-in units – for VME

**INDIVIDUAL COMPONENTS**
**U FRONT PROFILES/FRONT PANELS FOR TRAPEZIFORM EXTRACTOR HANDLE, TYPE 2**
**ORDER INFORMATION**

|   |                  | Front panel, U profile, shieldable  | Textile EMC gasket   |                  | Front panel, flat, unshielded   |                  |                  |   |                  |                  |   |                  |                  |   |                  |                  |   |                  |                  |    |                  |                  |    |                  |                  |  |  |
|---|------------------|---|--|------------------|---|------------------|------------------|---|------------------|------------------|---|------------------|------------------|---|------------------|------------------|---|------------------|------------------|----|------------------|------------------|----|------------------|------------------|--|--|
|  <p>U-Profile Front panel    Flat Front panel</p> |                  |  <p>04608060</p> <p>Al extrusion, 2.5 mm, front anodised, rear conductive; alignment pin pressed-in (3 U only), stainless steel; manufacturing process causes various surface structures to appear between 4 to 12 HP and 14 to 16 HP</p>  |  <p>BGA45760</p> <p>always fixed laterally on the front panel, in the groove of the profile, textile gasket, core: foam, sleeve: textile cladding with CuNi coating, UL 94 V-0, temperature range -40 ... 70 °C</p> |                  |  <p>04608063</p> <p>Front panel, Al, 2.5 mm, front anodised, rear iridescent green chromated</p> |                  |                  |   |                  |                  |   |                  |                  |   |                  |                  |   |                  |                  |    |                  |                  |    |                  |                  |  |  |
| Width HP  |                  | 1 piece (SPQ 5) <sup>1)</sup>   | PU 10 pieces   | PU 100 pieces    | 1 piece (SPQ 5) <sup>1)</sup>   |                  |                  |   |                  |                  |   |                  |                  |   |                  |                  |   |                  |                  |    |                  |                  |    |                  |                  |  |  |
|   |                  | <b>3 U Height</b>   |  |                  |   |                  |                  |   |                  |                  |   |                  |                  |   |                  |                  |   |                  |                  |    |                  |                  |    |                  |                  |  |  |
|  <p>04608109</p>                                 |                  | <table border="1"> <tr><td>4</td><td><b>30848-312</b></td><td rowspan="7"><b>21101-853</b></td><td rowspan="7"><b>21101-854</b></td><td><b>30848-327</b></td></tr> <tr><td>5</td><td><b>30848-300</b></td><td><b>30848-328</b></td></tr> <tr><td>6</td><td><b>30848-313</b></td><td><b>30848-329</b></td></tr> <tr><td>7</td><td><b>30848-301</b></td><td><b>30848-330</b></td></tr> <tr><td>8</td><td><b>30848-314</b></td><td><b>30848-331</b></td></tr> <tr><td>10</td><td><b>30848-315</b></td><td><b>30848-333</b></td></tr> <tr><td>12</td><td><b>30848-316</b></td><td><b>30848-335</b></td></tr> </table> | 4  | <b>30848-312</b> | <b>21101-853</b>  | <b>21101-854</b> | <b>30848-327</b> | 5 | <b>30848-300</b> | <b>30848-328</b> | 6 | <b>30848-313</b> | <b>30848-329</b> | 7 | <b>30848-301</b> | <b>30848-330</b> | 8 | <b>30848-314</b> | <b>30848-331</b> | 10 | <b>30848-315</b> | <b>30848-333</b> | 12 | <b>30848-316</b> | <b>30848-335</b> |  |  |
| 4   | <b>30848-312</b> | <b>21101-853</b>  | <b>21101-854</b>   | <b>30848-327</b> |   |                  |                  |   |                  |                  |   |                  |                  |   |                  |                  |   |                  |                  |    |                  |                  |    |                  |                  |  |  |
| 5   | <b>30848-300</b> |   |  | <b>30848-328</b> |   |                  |                  |   |                  |                  |   |                  |                  |   |                  |                  |   |                  |                  |    |                  |                  |    |                  |                  |  |  |
| 6   | <b>30848-313</b> |   |  | <b>30848-329</b> |   |                  |                  |   |                  |                  |   |                  |                  |   |                  |                  |   |                  |                  |    |                  |                  |    |                  |                  |  |  |
| 7   | <b>30848-301</b> |   |  | <b>30848-330</b> |   |                  |                  |   |                  |                  |   |                  |                  |   |                  |                  |   |                  |                  |    |                  |                  |    |                  |                  |  |  |
| 8   | <b>30848-314</b> |   |  | <b>30848-331</b> |   |                  |                  |   |                  |                  |   |                  |                  |   |                  |                  |   |                  |                  |    |                  |                  |    |                  |                  |  |  |
| 10  | <b>30848-315</b> |   |  | <b>30848-333</b> |   |                  |                  |   |                  |                  |   |                  |                  |   |                  |                  |   |                  |                  |    |                  |                  |    |                  |                  |  |  |
| 12  | <b>30848-316</b> |   |  | <b>30848-335</b> |   |                  |                  |   |                  |                  |   |                  |                  |   |                  |                  |   |                  |                  |    |                  |                  |    |                  |                  |  |  |
|   |                  | <b>6 U Height</b>   |  |                  |   |                  |                  |   |                  |                  |   |                  |                  |   |                  |                  |   |                  |                  |    |                  |                  |    |                  |                  |  |  |
|  <p>04608107</p>                                 |                  | <table border="1"> <tr><td>4</td><td><b>30848-317</b></td><td rowspan="7"><b>21101-855</b></td><td rowspan="7"><b>21101-856</b></td><td><b>30848-336</b></td></tr> <tr><td>5</td><td><b>30848-304</b></td><td><b>30848-337</b></td></tr> <tr><td>6</td><td><b>30848-318</b></td><td><b>30848-338</b></td></tr> <tr><td>7</td><td><b>30848-305</b></td><td><b>30848-339</b></td></tr> <tr><td>8</td><td><b>30848-319</b></td><td><b>30848-340</b></td></tr> <tr><td>10</td><td><b>30848-320</b></td><td><b>30848-342</b></td></tr> <tr><td>12</td><td><b>30848-321</b></td><td><b>30848-344</b></td></tr> </table> | 4  | <b>30848-317</b> | <b>21101-855</b>  | <b>21101-856</b> | <b>30848-336</b> | 5 | <b>30848-304</b> | <b>30848-337</b> | 6 | <b>30848-318</b> | <b>30848-338</b> | 7 | <b>30848-305</b> | <b>30848-339</b> | 8 | <b>30848-319</b> | <b>30848-340</b> | 10 | <b>30848-320</b> | <b>30848-342</b> | 12 | <b>30848-321</b> | <b>30848-344</b> |  |  |
| 4   | <b>30848-317</b> | <b>21101-855</b>  | <b>21101-856</b>   | <b>30848-336</b> |   |                  |                  |   |                  |                  |   |                  |                  |   |                  |                  |   |                  |                  |    |                  |                  |    |                  |                  |  |  |
| 5   | <b>30848-304</b> |   |  | <b>30848-337</b> |   |                  |                  |   |                  |                  |   |                  |                  |   |                  |                  |   |                  |                  |    |                  |                  |    |                  |                  |  |  |
| 6   | <b>30848-318</b> |   |  | <b>30848-338</b> |   |                  |                  |   |                  |                  |   |                  |                  |   |                  |                  |   |                  |                  |    |                  |                  |    |                  |                  |  |  |
| 7   | <b>30848-305</b> |   |  | <b>30848-339</b> |   |                  |                  |   |                  |                  |   |                  |                  |   |                  |                  |   |                  |                  |    |                  |                  |    |                  |                  |  |  |
| 8   | <b>30848-319</b> |   |  | <b>30848-340</b> |   |                  |                  |   |                  |                  |   |                  |                  |   |                  |                  |   |                  |                  |    |                  |                  |    |                  |                  |  |  |
| 10  | <b>30848-320</b> |   |  | <b>30848-342</b> |   |                  |                  |   |                  |                  |   |                  |                  |   |                  |                  |   |                  |                  |    |                  |                  |    |                  |                  |  |  |
| 12  | <b>30848-321</b> |   |  | <b>30848-344</b> |   |                  |                  |   |                  |                  |   |                  |                  |   |                  |                  |   |                  |                  |    |                  |                  |    |                  |                  |  |  |
| Dimensions see page   |                  | 7.42  |  |                  | 7.36  |                  |                  |   |                  |                  |   |                  |                  |   |                  |                  |   |                  |                  |    |                  |                  |    |                  |                  |  |  |

1) SPQ (standard pack quantity): Part number includes 1 piece, but delivery is exclusively made in standard pack quantity (SPQ); please order at least the SPQ quantity or a multiple

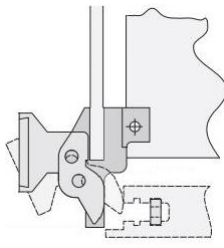




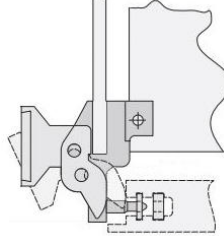
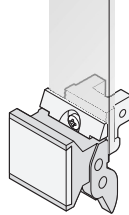
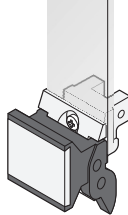
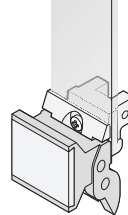
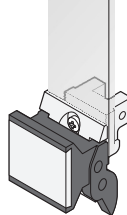
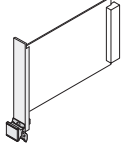
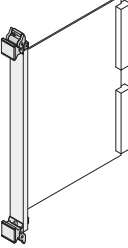
Part no. includes one packing unit (PU); delivery is exclusively made in PU

# Plug-in units – for VME

**INDIVIDUAL COMPONENTS**

## EXTRACTOR HANDLE, TRAPEZIFORM, TYPE 2

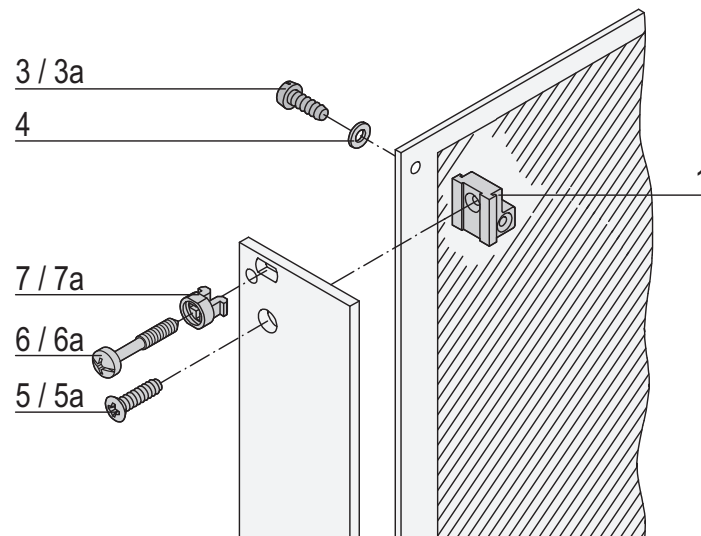
### ORDER INFORMATION

|  | Trapeziform extractor handle, type 2<br>without alignment pin   |   | Trapeziform extractor handle, type 2<br>with alignment pin  |   |
|--|---|---|---|---|
|  | lever,<br>light grey,<br>RAL7035  | lever,<br>black,<br>RAL 9005  | lever,<br>light grey,<br>RAL 7035   | lever,<br>black,<br>RAL 9005  |
| <p>without alignment pin</p>  |    |  |    |  |
| <p>with alignment pin</p>    |    |  |    |  |
|  | <p>Extractor handle, PC; UL 94 V0, EN 45545-2, R22 - R24; HL 3<br/>Block, die-cast zinc, zinc-plated; identification plate, Al, 1.5 mm, anodised, cut edges plain; Pozidrive flat-head screw, M2.5 x 6, nickel-plated; slotted Pozidrive collar screw, M2.5 x 12.3, St, nickel-plated</p> |   | <p>Extractor handle, PC; UL 94 V0, EN 45545-2, R22 - R24; HL 3<br/>Block, die-cast zinc, zinc-plated; identification plate, Al, 1.5 mm, anodised, cut edges plain; Pozidrive flat-head screw, M2.5 x 6, nickel-plated; slotted Pozidrive collar screw, M2.5 x 12.3, St, nickel-plated</p> |   |
| Width<br>HP  | 1 piece (SPQ 10) <sup>1)</sup>  | 1 piece (SPQ 10) <sup>1)</sup>  | 1 piece (SPQ 10) <sup>1)</sup>  | 1 piece (SPQ 10) <sup>1)</sup>  |
|  <p>04608114</p>            | <p><b>3 U Height<br/>bottom</b></p>   |   |   |   |
|  | <b>20817-858</b>  | <b>20817-856</b>  | <b>20817-833</b>  | <b>20817-831</b>  |
|  <p>04608115</p>            | <p><b>6 U Height<br/>top</b></p>  |   |   |   |
|  | <b>20817-858</b>  | <b>20817-856</b>  | <b>20817-833</b>  | <b>20817-831</b>  |
|  | <p><b>bottom</b></p>  |   |   |   |
|  | <b>20817-858</b>  | <b>20817-856</b>  | <b>20817-833</b>  | <b>20817-831</b>  |
| Dimensions see page  | 7.43  |   | 7.43  |   |

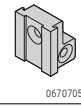
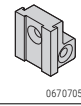

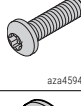

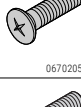
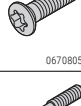
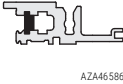
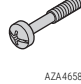
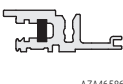
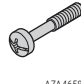
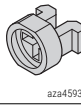
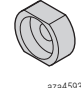
1) SPQ (standard pack quantity): Part number includes 1 piece, but delivery is exclusively made in standard pack quantity (SPQ); please order at least the SPQ quantity or a multiple

Part no. includes one packing unit (PU); delivery is exclusively made in PU

# Plug-in units – for VME

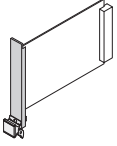
**INDIVIDUAL COMPONENTS**
**FIXING MATERIAL FOR TRAPEZIFORM EXTRACTOR HANDLE, TYPE 2**


bga46045

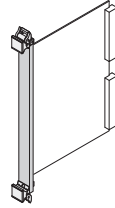
| Fixing material  | Item |              | Required quantity   |        |        |        | Qty/PU                            | Part no.         |                  |
|--|------|---|---|--------|--------|--------|-----------------------------------|------------------|------------------|
|  |      |   | 3 U   |        | 6 U    |        |                                   |                  |                  |
|  |      |   | < 8 HP  | ≥ 8 HP | < 8 HP | ≥ 8 HP |                                   |                  |                  |
| Printed board bracket<br>Zn die-cast, with M2.5 thread                                 | 1    | <br>06707050 | 1   | 1      | –      | –      | 1 Stück<br>(LLG 10) <sup>1)</sup> | <b>60807-181</b> |                  |
| Pozidrive panhead screw<br>M2.5 × 6, St, nickel-plated                                 | 3    | <br>AZA45177 | 2   | 2      | 2      | 2      | 100                               | <b>21101-219</b> |                  |
| Slotted panhead screw with Torx 8<br>M2.5 × 6, St, zinc-plated<br>Self-securing thread | 3a   | <br>aza45940 | 2   | 2      | 2      | 2      | 100                               | <b>24560-159</b> |                  |
| Washer<br>2.7, St, nickel-plated   | 4    | <br>AZA46586 | 2   | 2      | 2      | 2      | 100                               | <b>21100-721</b> |                  |
| Raised Pozidrive countersunk panhead screw<br>M2.5 × 8, St, nickel-plated              | 5    | <br>06702056 | 1   | 1      | –      | –      | 100                               | <b>21100-429</b> |                  |
| Raised countersunk panhead screw with Torx 8<br>M2.5 × 8, St, nickel-plated            | 5a   | <br>06708050 | 1   | 1      | –      | –      | 100                               | <b>24560-164</b> |                  |
| Collar screws pozidrive/slot (Philips)<br>M2.5 × 12.3, St, nickel-plated               | 6    | <br>AZA46586 | <br>AZA46586 | 1      | 3      | –      | 2                                 | 100              | <b>21102-026</b> |
| Slotted Pozidrive collar screw<br>M2.5 × 12.3, St, nickel-plated                       | 6a   | <br>AZA46586 | <br>AZA46586 | 1      | 3      | –      | 2                                 | 100              | <b>21101-101</b> |
| Plastic sleeve, for form hole 5.9 x 3.3<br>PA, UL 90 V-2, grey                         | 7    | <br>aza45933 | 1   | 3      | –      | 2      | 100                               | <b>21100-464</b> |                  |
| Metal sleeve, for form hole 5.9 x 3.3, press-in<br>Stainless steel                     | 7a   | <br>aza45934 | 1   | 3      | –      | 2      | 100                               | <b>21100-662</b> |                  |

1) SPQ (standard pack quantity): Part number includes 1 piece, but delivery is exclusively made in standard pack quantity (SPQ); please order at least the SPQ quantity or a multiple

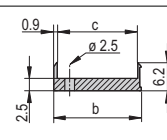
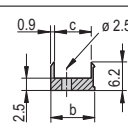
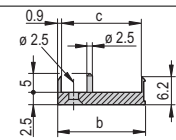
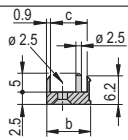
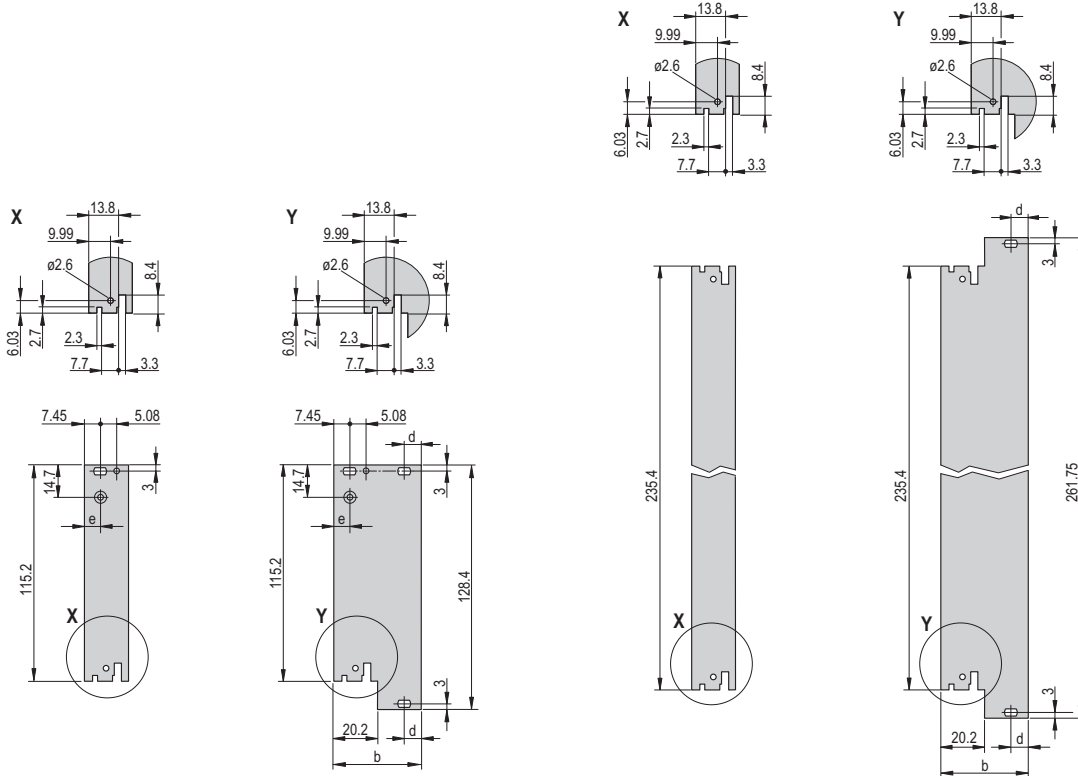
# Plug-in units – for VME

**DIMENSIONS**
**FRONT PANELS, U PROFILES, FOR TRAPEZIFORM EXTRACTOR HANDLES, TYPE 2**
**3 U**


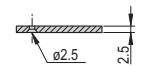
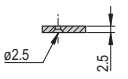
04608109

**6 U**


04608107



shieldable



unshielded

4 HP

≥5 HP

04608064 04608077

4 HP

≥5 HP

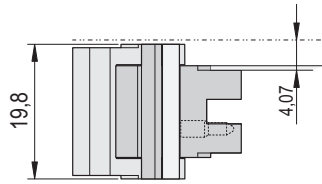
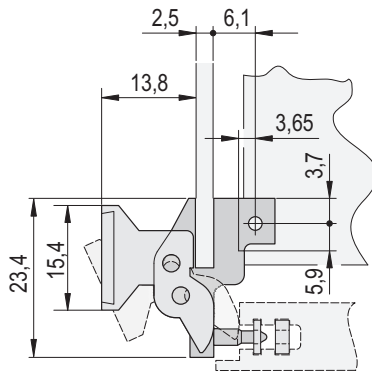
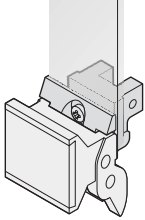
04608065 04608078

| Dimensions table |         |         |         |
|------------------|---------|---------|---------|
| Width<br>HP      | b<br>mm | c<br>mm | d<br>mm |
| 4                | 19.98   | 17.45   | –       |
| 5                | 25.06   | 22.53   | –       |
| 6                | 30.14   | 27.61   | –       |
| 7                | 35.22   | 32.69   | –       |
| 8                | 40.30   | 37.77   | 7.45    |
| 9                | 45.38   | 42.85   | 7.45    |
| 10               | 50.46   | 47.93   | 7.45    |
| 11               | 55.54   | 53.01   | 7.45    |
| 12               | 60.62   | 58.09   | 7.45    |
| 14               | 70.78   | 68.25   | 7.45    |
| 16               | 80.94   | 78.41   | 7.45    |

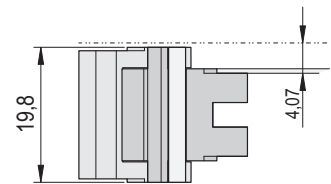
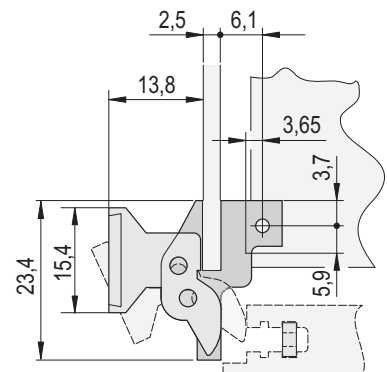
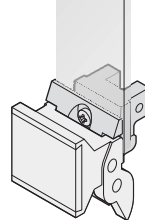
# Plug-in units – for VME

## DIMENSION DRAWINGS EXTRACTOR HANDLE, TRAPEZIFORM, TYPE 2

with alignment pin



without alignment pin

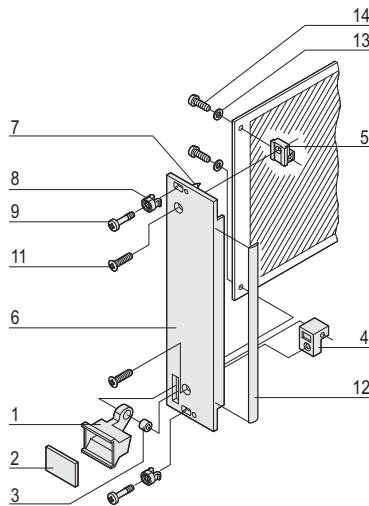


# Plug-in units – for VME

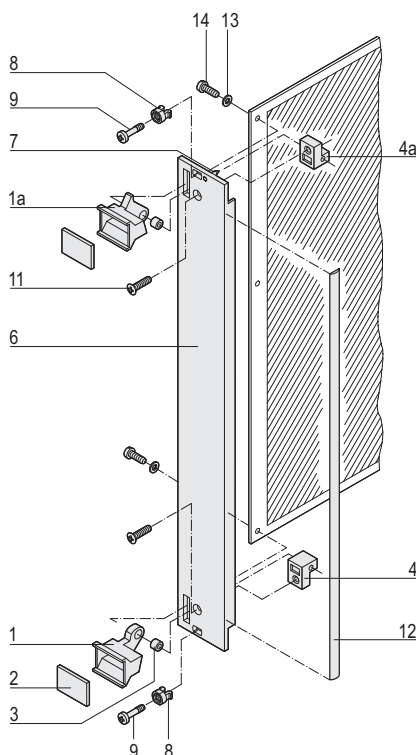
**KITS**
**PLUG-IN UNITS WITH TRAPEZIFORM EXTRACTOR HANDLE, TYPE 1 – FRONT PANEL, U-PROFILE, SHIELDED**


Remark: Delivery do not include the PCB

3 U



6 U



- At 6 U the board position can be offset by 1 HP to the right by swapping the top and bottom board supports; thus space is created for SMD components on the left (solder) side; for board thickness 1.6 mm only

- Plastic Material:  
UL 94 V0, EN 45545-2, R22 - R24, HL3

**DELIVERY COMPRISES (kit)**

| Item | Qty |     | Description  |
|------|-----|-----|--|
|      | 3 U | 6 U |  |
| 1    | 1   | 1   | Extractor handle, trapeziform type, PC, grey (RAL 7035), bottom                            |
| 1a   | -   | 1   | Extractor handle, trapeziform type, PC, grey (RAL7035), top                                |
| 2    | 1   | 2   | Identification plate, Al, 1.5 mm, anodised, cut edges plain                                |
| 3    | 1   | 2   | Pivot bush, Ms   |
| 4    | 1   | 1   | Board support, die-cast zinc, bottom   |
| 4a   | -   | 1   | Board support, die-cast zinc, top  |
| 5    | 1   | -   | Board support, die-cast zinc   |
| 6    | 1   | 1   | Front panel, U profile, for trapeziform extractor handle, front anodised, rear conductive  |
| 7    | 2   | 2   | Alignment pin, pressed-in, stainless steel   |
| 8    | 2   | 2   | Sleeve, PA, grey, up to 7 HP front panel width   |
| 8    | 4   | 4   | Sleeve, PA, grey, from 8 HP front panel width  |
| 9    | 2   | 2   | Collar screw, Pozidrive/slot, St, nickel-plated, M2.5 × 12.3, front panel width up to 7 HP |
| 9    | 4   | 4   | Collar screw, Pozidrive/slot, St, nickel-plated, M2.5 × 12.3, front panel width from 8 HP  |
| 11   | 1   | 2   | Raised countersunk panhead screw, M2.5 × 8   |
| 12   | 1   | 1   | EMC gasket (textile)   |
| 13   | 2   | 2   | Washer, A2.7, DIN 125  |
| 14   | 2   | 2   | Pozidrive flathead screw, St, nickel-plated, M2.5 × 10                                     |

**ORDER INFORMATION**

| Width<br>HP | 3 U              | 6 U              |
|-------------|------------------|------------------|
|             | Part no.         | Part no.         |
| 4           | <b>20848-485</b> | <b>20848-492</b> |
| 6           | <b>20848-487</b> | <b>20848-494</b> |
| 8           | <b>20848-489</b> | <b>20848-496</b> |
| 10          | <b>20848-490</b> | 20848-497        |
| 12          | <b>20848-491</b> | <b>20848-498</b> |

**NOTE**

- Dimension of the front panels see page 7.49

04602058

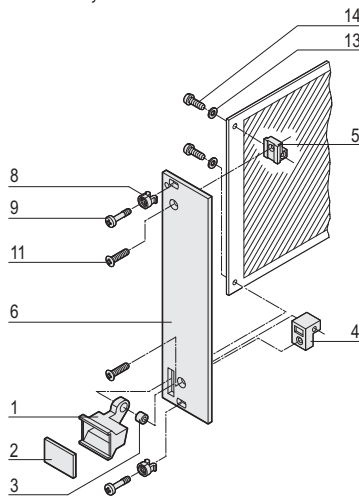
04602059

# Plug-in units – for VME

**KITS**
**PLUG-IN UNITS WITH TRAPEZIFORM EXTRACTOR HANDLE, TYPE 1 – FRONT PANEL UNSHIELDED**

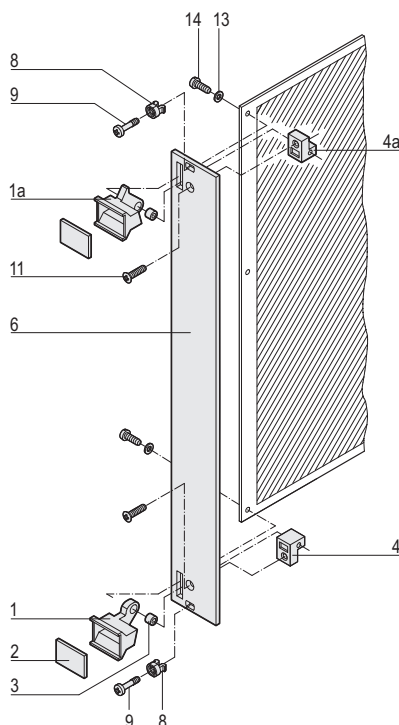

Remark: Delivery do not include the PCB

3 U



04602060

6 U



04602061

- At 6 U the board position can be offset by 1 HP to the right by swapping the top and bottom board supports; thus space is created for SMD components on the left (solder) side; for board thickness 1.6 mm only

**Plastic Material:**

UL 94 V0, EN 45545-2, R22 - R24, HL3

**DELIVERY COMPRISES (kit)**

| Item | Qty |     | Description   |
|------|-----|-----|---|
|      | 3 U | 6 U |   |
| 1    | 1   | 1   | Extractor handle, trapezium shape, PC, grey (RAL7035), bottom                                 |
| 1a   | -   | 1   | Extractor handle, trapezium shape, PC, grey (RAL7035), top                                    |
| 2    | 1   | 2   | Identification plate, Al, 1.5 mm, anodised, cut edges plain                                   |
| 3    | 1   | 2   | Pivot bush, Ms  |
| 4    | 1   | 1   | Board support, die-cast zinc, bottom  |
| 4a   | -   | 1   | Board support, die-cast zinc, top   |
| 5    | 1   | -   | Board support, die-cast zinc  |
| 6    | 1   | 1   | Front panel for trapeziform extractor handle, front anodised, rear iridescent green chromated |
| 8    | 2   | 2   | Sleeve, PA, grey, up to 7 HP front panel width  |
| 8    | 4   | 4   | Sleeve, PA, grey, from 8 HP front panel width   |
| 9    | 2   | 2   | Collar screw, Pozidrive/slot, St, nickel-plated, M2.5 x 12.3, front panel width up to 7 HP    |
| 9    | 4   | 4   | Collar screw, Pozidrive/slot, St, nickel-plated, M2.5 x 12.3, front panel width from 8 HP     |
| 11   | 1   | 2   | Raised countersunk panhead screw, M2.5 x 8  |
| 13   | 2   | 2   | Washer, A2.7, DIN 125   |
| 14   | 2   | 2   | Pozidrive flathead screw, St, nickel-plated, M2.5 x 10  |

**ORDER INFORMATION**

| Width<br>HP | 3 U              | 6 U              |
|-------------|------------------|------------------|
|             | Part no.         | Part no.         |
| 4           | <b>20817-443</b> | <b>20817-448</b> |
| 5           | <b>20817-444</b> | <b>20817-449</b> |
| 6           | <b>20817-445</b> | <b>20817-450</b> |
| 7           | <b>20817-446</b> | <b>20817-451</b> |
| 8           | <b>20817-447</b> | <b>20817-452</b> |
| 10          | <b>20817-456</b> | <b>20817-458</b> |
| 12          | <b>20817-457</b> | <b>20817-459</b> |

**NOTE**

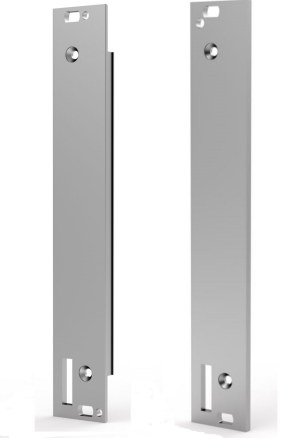
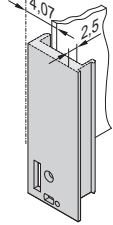
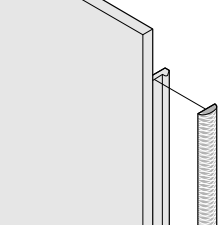
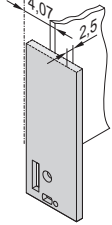
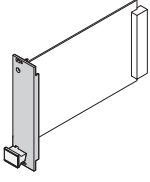
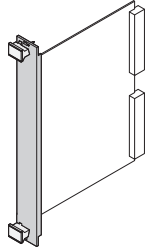
- Dimension front panel see page 7.49

# Plug-in units – for VME

## INDIVIDUAL COMPONENTS

## FRONT PANELS AND EMC GASKETS, FOR TRAPEZOIDAL EXTRACTOR HANDLE, TYPE 1

### ORDER INFORMATION

|  | Front panel, U profile, shieldable  | Textile EMC gasket   |                  | Front panel, unshielded  |                  |
|--|---|--|------------------|--|------------------|
|  <p>U-Profile Front panel   Flat Front panel</p> |  <p>04608091</p> <p>Al profile, front anodised, rear conductive, alignment pin pressed-in, stainless steel</p> |  <p>BGA45760</p> <p>always fixed laterally on the front panel, in the groove of the profile, textile gasket, core: foam, sleeve: textile cladding with CuNi coating, UL 94 V-0, temperature range -40 ... 70 °C</p> |                  |  <p>04608092</p> <p>front panel, Al, 2.5 mm, front anodised, rear iridescent green chromated</p> |                  |
| Width HP   | 1 piece (SPQ 5) <sup>1)</sup>   | PU 10 pieces   | PU 100 pieces    | 1 piece (SPQ 5) <sup>1)</sup>  |                  |
| <b>3 U Height</b>  |   |  |                  |  |                  |
|  <p>04608117</p>                              | 4   | <b>30848-461</b>   |                  | <b>30847-659</b>   |                  |
|  | 5   | -  |                  | <b>30847-660</b>   |                  |
|  | 6   | <b>30848-463</b>   |                  | <b>30847-661</b>   |                  |
|  | 7   | -  | <b>21101-853</b> | <b>21101-854</b>   | <b>30847-662</b> |
|  | 8   | <b>30848-465</b>   |                  |  | <b>30847-663</b> |
|  | 10  | <b>30848-466</b>   |                  |  | <b>30847-664</b> |
|  | 12  | <b>30848-467</b>   |                  |  | <b>30847-665</b> |
| <b>6 U Height</b>  |   |  |                  |  |                  |
|  <p>04608116</p>                              | 4   | <b>30848-468</b>   |                  | <b>30847-666</b>   |                  |
|  | 5   | -  |                  | <b>30847-667</b>   |                  |
|  | 6   | <b>30848-470</b>   |                  | <b>30847-668</b>   |                  |
|  | 7   | -  | <b>21101-855</b> | <b>21101-856</b>   | <b>30847-669</b> |
|  | 8   | <b>30848-472</b>   |                  |  | <b>30847-670</b> |
|  | 10  | <b>30848-473</b>   |                  |  | <b>30847-671</b> |
|  | 12  | <b>30848-474</b>   |                  |  | <b>30847-672</b> |
| Dimensions see page  | 7.49  |  |                  | 7.49   |                  |

1) SPQ (standard pack quantity): Part number includes 1 piece, but delivery is exclusively made in standard pack quantity (SPQ); please order at least the SPQ quantity or a multiple

Part no. includes one packing unit (PU); delivery is exclusively made in PU




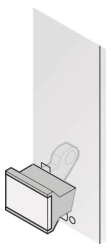
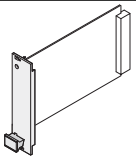
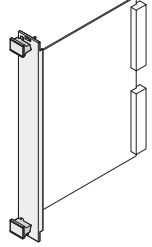


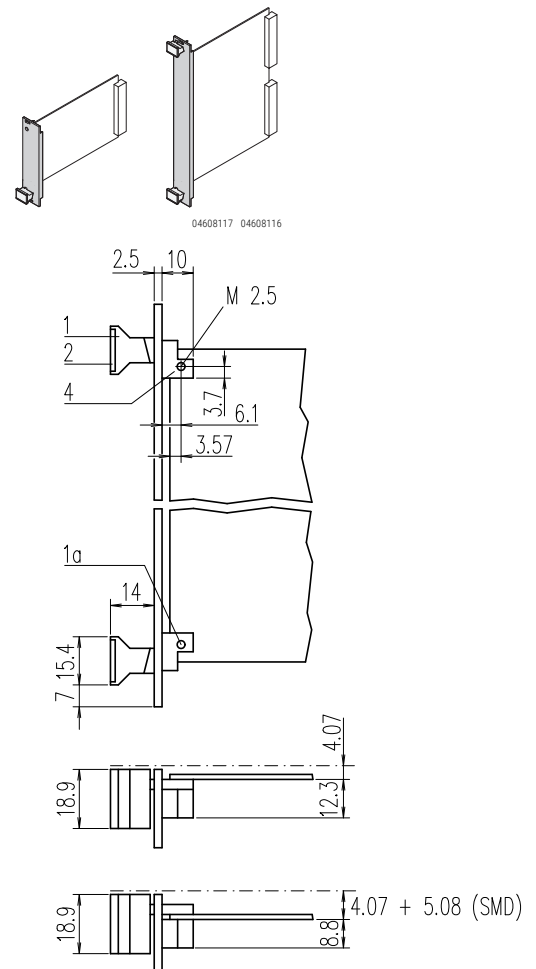
# Plug-in units – for VME

**INDIVIDUAL COMPONENTS**

**TRAPEZIFORM EXTRACTOR HANDLES, TYPE 1**

## ORDER INFORMATION

|   | Trapeziform extractor handle   |                 |
|---|--|-----------------|
|   | black (RAL 9005)   | grey (RAL 7035) |
|  <br>  <p>pivot bush; identification plate,</p> | <p>Handle closed laterally, PC, UL 94 V0, EN 45545-2, R22 -R24, HL3</p> <p>Identification plate, Al, 1.5 mm, anodised, cut edges plain; pivot bush, board support die-cast zinc;</p> <p>in the 6 U version, space can be created for SMD components on the left side by swapping the top and bottom handles and thus moving the PCB position 1 HP to the right</p> |                 |
|   | <p>Width HP</p> <p>1 piece (SPQ 10)<sup>1)</sup></p>   |                 |
|  <p>04608119</p>   | <p><b>3 U Height</b><br/>top</p> <p><b>20817-329</b>      <b>20817-327</b></p>   |                 |
|   | <p><b>6 U Height</b><br/>top</p> <p><b>20817-330</b>      <b>20817-328</b></p>   |                 |
|  <p>04608116</p>   | <p>bottom</p> <p><b>20817-329</b>      <b>20817-327</b></p>  |                 |



hga42556

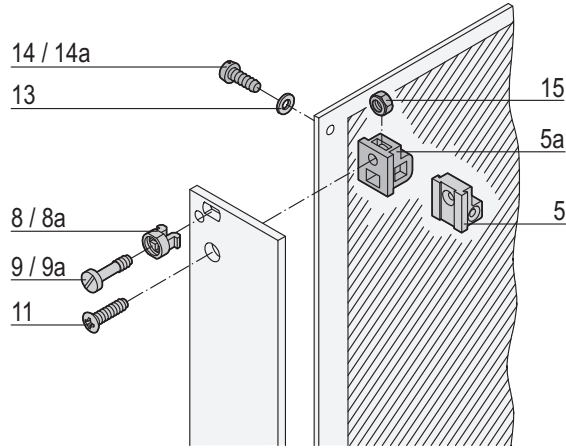
1) SPQ (standard pack quantity): Part number includes 1 piece, but delivery is exclusively made in standard pack quantity (SPQ); please order at least the SPQ quantity or a multiple

# Plug-in units – for VME


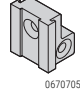
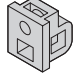
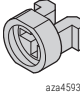
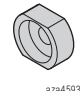
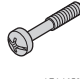
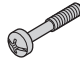




## INDIVIDUAL COMPONENTS

## FIXING MATERIAL FOR TRAPEZIFORM EXTRACTOR HANDLE, TYPE 1

### ORDER INFORMATION



bga42545

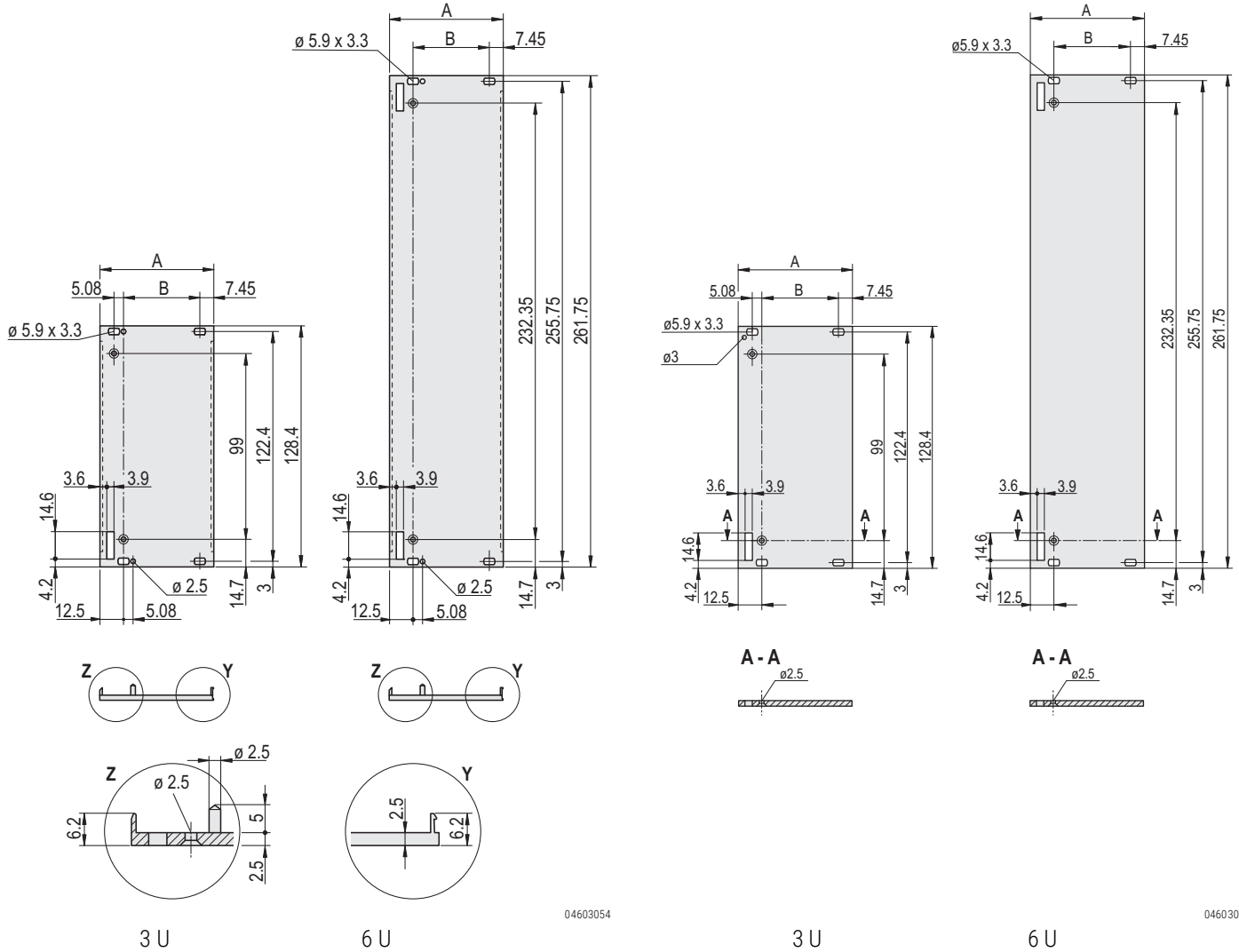
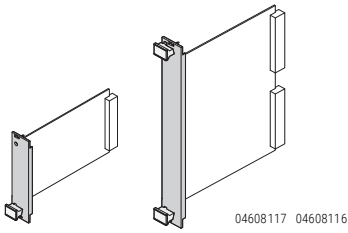
| Fixing material  | Item |   | Required Qty |        |        |        | Qty/PU                         | Part no.         |
|--|------|---|--------------|--------|--------|--------|--------------------------------|------------------|
|  |      |   | 3 U          |        | 6 U    |        |                                |                  |
|  |      |   | < 8 HP       | ≥ 8 HP | < 8 HP | ≥ 8 HP |                                |                  |
| Board support, die-cast zinc, with thread M2.5, for front panel and PCB fixing                         | 5    |   | 1            | 2      | 2      | 4      | 1 piece (SPQ 10) <sup>1)</sup> | <b>60807-181</b> |
| Board support, plastic, PBT, UL 94 V-0, grey, with recess for hexagon nut M2.5, for fixing front panel | 5a   |  | 1            | 2      | 2      | 4      | 1 piece (SPQ 10) <sup>1)</sup> | <b>60807-183</b> |
| Plastic sleeve, for form hole 5.9 x 3.3 PA, UL 90 V-2, grey  | 8    |  | 2            | 4      | 2      | 4      | 100                            | <b>21100-464</b> |
| Metal sleeve, for form hole 5.9 x 3.3, press-in Stainless steel  | 8a   |  | 2            | 4      | -      | -      | 100                            | <b>21100-662</b> |
| Collar screws pozidrive/slot (Philips) M2.5 x 12.3, St, nickel-plated                                  | 9    |  | 2            | 4      | 2      | 4      | 100                            | <b>21102-026</b> |
| Pozidrive/slot collar screw M2.5 x 12.3, St, nickel-plated   | 9a   |  | 2            | 4      | 2      | 4      | 100                            | <b>21101-101</b> |
| Raised Pozidrive countersunk screw M2.5 x 8, St, nickel-plated   | 11   |  | 2            | 2      | 2      | 2      | 100                            | <b>21100-429</b> |
| Washer 2.7 DIN 125, St, nickel-plated, 100 pieces  | 13   |  | 2            | 2      | 2      | 2      | 100                            | <b>21100-721</b> |
| Pozidrive panhead screw M2.5 x 10, St, nickel-plated for item 5  | 14   |  | 2            | 2      | 2      | 2      | 100                            | <b>21101-220</b> |
| Panhead screw, self-tapping 2.5 x 8, St, zinc-plated for item 5b                                       | 14a  |  | 1            | 1      | -      | -      | 100                            | <b>21100-710</b> |
| Hexagon nut M2.5, nickel-plated steel for item 5b  | 15   |  | 1            | 1      | -      | -      | 100                            | <b>21100-144</b> |

<sup>1)</sup> SPQ (standard pack quantity): Part number includes 1 piece, but delivery is exclusively made in standard pack quantity (SPQ); please order at least the SPQ quantity or a multiple

# Plug-in units – for VME

## DIMENSIONS

## FRONT PANELS FOR TRAPEZOIDAL EXTRACTOR HANDLES, TYPE 1, SHIELDED/UNSHIELDED



Dimensions table




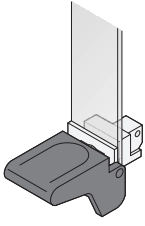
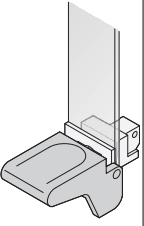
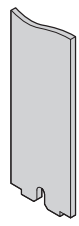
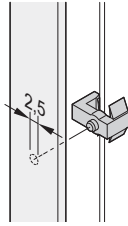
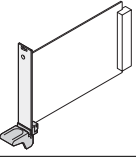
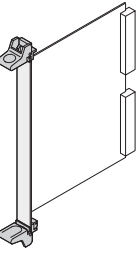
| Width<br>HP | A<br>mm | B<br>mm |
|-------------|---------|---------|
| 4           | 19.98   | -       |
| 5           | 25.06   | -       |
| 6           | 30.14   | -       |
| 7           | 35.22   | -       |
| 8           | 40.30   | 20.32   |
| 10          | 50.46   | 30.48   |
| 12          | 60.62   | 40.64   |

# Plug-in units – for IEC 60297, key form 1

**INDIVIDUAL COMPONENTS**

## EXTRACTOR HANDLES IN KEY FORM 1

### ORDER INFORMATION

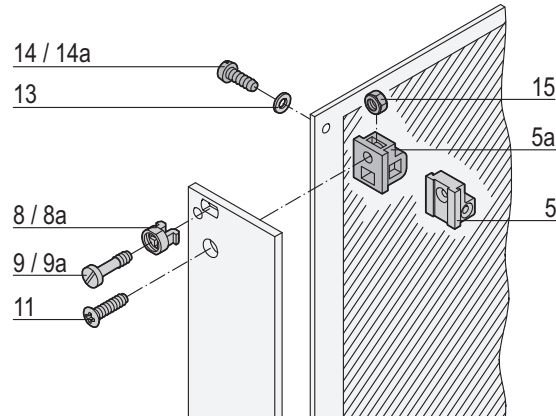
|   | Extractor handle  |  | Front panel  | Fixing clip  |
|---|---|--|--|--|
|   | black   | grey   |  |  |
|   |    |   |   |  |
|   |   |  |  |   |
|   | <p>extractor handle in key form 1, PC, UL 94 V-0; bearing Zn die-cast, nickel-plated; slotted cheesehead screw, M2.5 x 6 (fitted); in the 6 U version, space can be created for SMD components on the left side by swapping the top and bottom handles and thus moving the PCB position 1 HP to the right</p> |  | <p>Al, 2.5 mm; available on request</p>  | <p>for fixing PCB to the front panel (blind hole X2.6, depth 1.3 mm); also for SMD applications; clip, PPE, UL 94 V-0, red</p> |
|   | Width HP  | 1 piece (SPQ 10) <sup>1)</sup>   | 1 piece (SPQ 10) <sup>1)</sup>   | PU 100 pieces  |
| <br>04608123 | <b>3 U Height bottom</b>  |  |  |  |
|   | <b>20817-345</b>  | <b>20817-325</b>   | –  | –  |
| <br>04608122 | <b>6 U Height top</b>   |  |  |  |
|   | <b>20817-346</b>  | <b>20817-326</b>   | –  | <b>21100-719</b>   |
|   | bottom  |  |  |  |
|   | <b>20817-345</b>  | <b>20817-325</b>   | –  |  |
| Dimensions see page   | 7.52  | 7.52   | 7.52   |  |

<sup>1)</sup> SPQ (standard pack quantity): Part number includes 1 piece, but delivery is exclusively made in standard pack quantity (SPQ); please order at least the SPQ quantity or a multiple

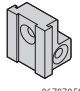
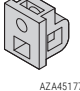
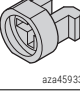


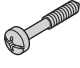





Part no. includes one packing unit (PU); delivery is exclusively made in PU

- Please order colar screw separately 7.52

# Plug-in units – for IEC 60297, key form 1

**INDIVIDUAL COMPONENTS**
**FIXING MATERIAL FOR EXTRACTOR HANDLE IN KEY FORM 1**
**ORDER INFORMATION**


bga42545

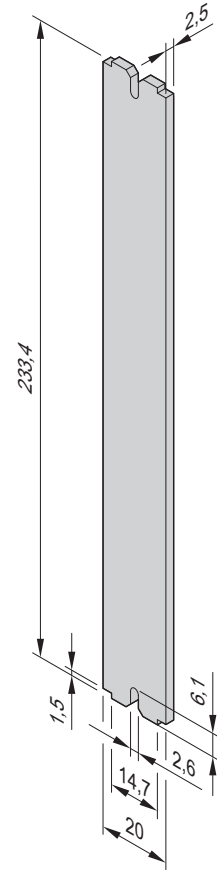
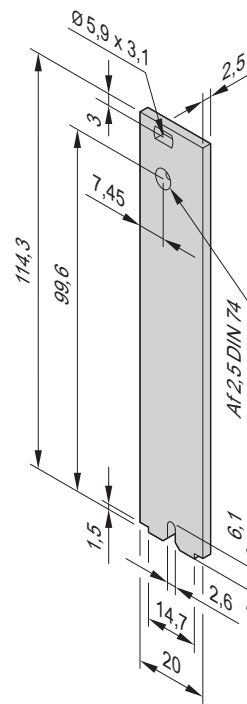
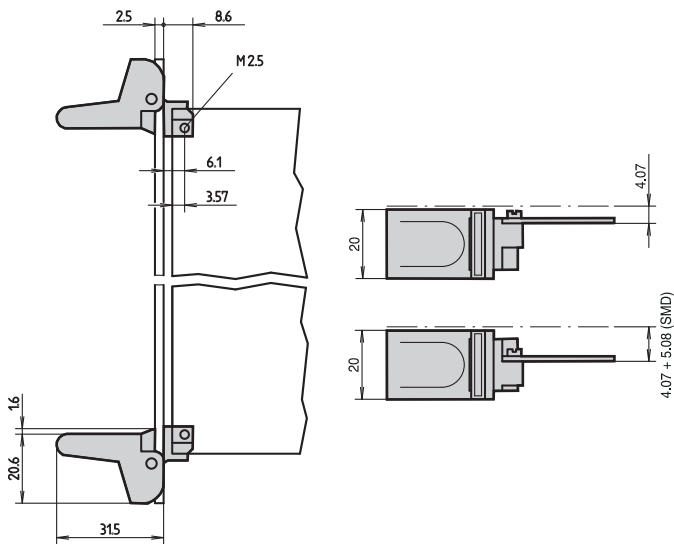
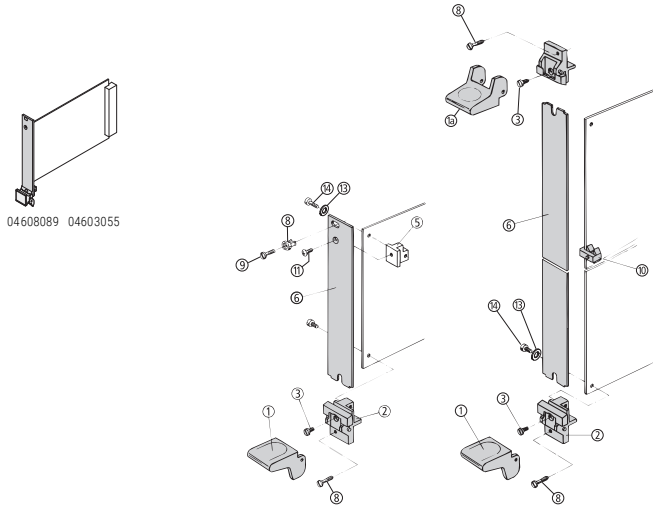
| Fixing material  | Item | Image   | Required Qty |     | Qty/PU                         | Part no.         |
|--|------|---|--------------|-----|--------------------------------|------------------|
|  |      |   | 3 U          | 6 U |                                |                  |
| Board support, die-cast zinc, with thread M2.5, for front panel and PCB fixing                         | 5    |   | 1            | –   | 1 piece (SPQ 10) <sup>1)</sup> | <b>60807-181</b> |
| Board support, plastic, PBT, UL 94 V-0, grey, with recess for hexagon nut M2.5, for fixing front panel | 5a   |  | 1            | –   | 1 piece (SPQ 10) <sup>1)</sup> | <b>60807-183</b> |
| Plastic sleeve, for form hole 5.9 x 3.3<br>PA, UL 90 V-2, grey   | 8    |  | 1            | –   | 100                            | <b>21100-464</b> |
| Metal sleeve, for form hole 5.9 x 3.3, press-in<br>Stainless steel                                     | 8a   |  | 1            | –   | 100                            | <b>21100-662</b> |
| Collar screws pozidrive/slot (Philips)<br>M2.5 x 12.3, St, nickel-plated                               | 9    |  | 2            | 2   | 100                            | <b>21102-026</b> |
| Pozidrive/slotted collar screw<br>M2.5 x 12.3, St, nickel-plated                                       | 9a   |  | 2            | 2   | 100                            | <b>21101-101</b> |
| Raised Pozidrive countersunk screw<br>M2.5 x 8, St, nickel-plated                                      | 11   |  | 1            | –   | 100                            | <b>21100-429</b> |
| Washer<br>2.7 DIN 125, St, nickel-plated, 100 pieces   | 13   |  | 2            | 2   | 100                            | <b>21100-721</b> |
| Pozidrive panhead screw<br>M2.5 x 10, St, nickel-plated<br>for item 5                                  | 14   |  | 2            | 2   | 100                            | <b>21101-220</b> |
| Pan head screw, self-tapping<br>2.5 x 8, St, zinc-plated<br>for item 5b                                | 14a  |  | 1            | –   | 100                            | <b>21100-710</b> |
| Hexagon nut<br>M2.5, nickel-plated steel<br>for item 5b  | 15   |  | 3            | 6   | 100                            | <b>21100-144</b> |

1) SPQ (standard pack quantity): Part number includes 1 piece, but delivery is exclusively made in standard pack quantity (SPQ); please order at least the SPQ quantity or a multiple

# Plug-in units – for IEC 60297, key form 1

DIMENSIONS

EXTRACTOR HANDLES/FRONT PANELS KEY FORM 1



04603057



# Plug-in units – for IEC 60297, trapeziform

**KITS**
**PLUG-IN UNIT WITH STATIC TRAPEZIFORM HANDLE**

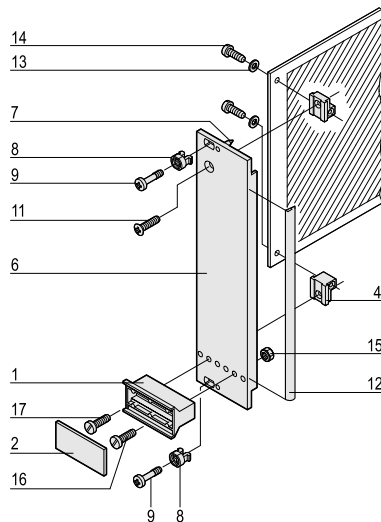

Remark: Delivery do not include the PCB

- Front panel, U-profile, shielded
- Handle without extraction function
- **Plastic Material:**  
UL 94 V0, EN 45545-2, R22 - R24, HL3

**DELIVERY COMPRISES**

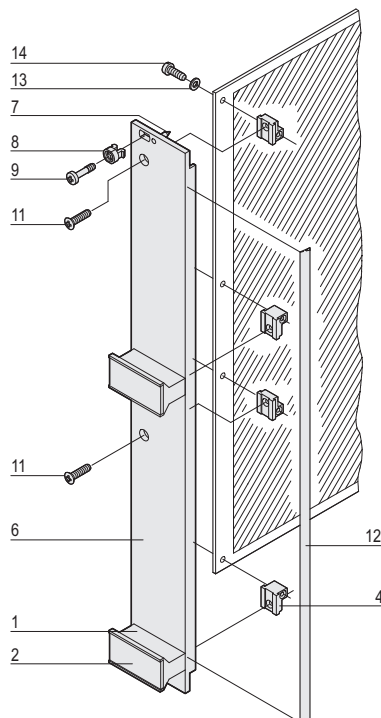
| Item | Qty |     | Description  |
|------|-----|-----|--|
|      | 3 U | 6 U |  |
| 1    | 1   | 2   | Plastic handle, trapeziform, PC, grey (RAL 7035)   |
| 2    | 1   | 2   | Identification plate, Al, 1.5 mm, anodised, cut edges plain                                  |
| 4    | 2   | 4   | Board support, die-cast zinc   |
| 6    | 1   | 1   | Front panel, U profile, for trapeziform handle, front anodised, rear conductive              |
| 7    | 2   | 2   | Alignment pin, pressed-in, stainless steel   |
| 8    | 2   | 2   | Sleeve, PA, grey, up to 7 HP front panel width   |
| 8    | 4   | 4   | Sleeve, PA, grey, from 8 HP front panel width  |
| 9    | 2   | 2   | Pozidrive/slotted collar screw, St, nickel-plated, M2.5 x 12.3, front panel width up to 7 HP |
| 9    | 4   | 4   | Pozidrive/slotted collar screw, St, nickel-plated, M2.5 x 12.3, front panel width from 8 HP  |
| 11   | 1   | 2   | Raised countersunk screw, St, nickel-plated, M2.5 x 8  |
| 12   | 1   | 1   | EMC sealing (textile)  |
| 13   | 2   | 4   | Washer, A2.7, DIN 125  |
| 14   | 2   | 4   | Pozidrive flathead screw, St, nickel-plated, M2.5 x 10                                       |
| 15   | 1   | 2   | Hexagon nut, St, nickel-plated, M2.5   |
| 16   | 1   | 2   | Pozidrive flathead screw, St, nickel-plated, M2.5 x 12                                       |
| 17   | 1   | 2   | Pozidrive flathead screw, St, nickel-plated, M2.5 x 16                                       |

3 U



04602052

6 U



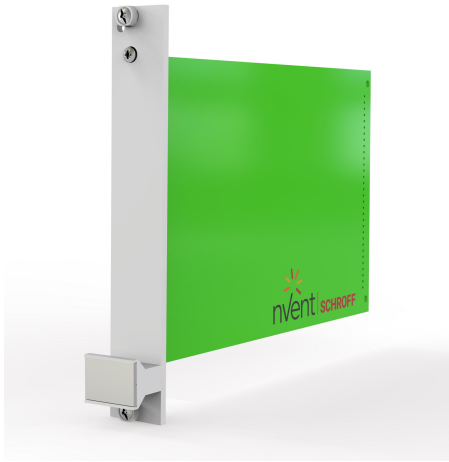
04602053

**ORDER INFORMATION**

| Width<br>HP | 3 U              | 6 U              |
|-------------|------------------|------------------|
|             | Part no.         | Part no.         |
| 3           | <b>20848-663</b> | 20848-671        |
| 4           | <b>20848-664</b> | <b>20848-672</b> |
| 5           | <b>20848-665</b> | <b>20848-673</b> |
| 6           | <b>20848-666</b> | <b>20848-674</b> |
| 7           | <b>20848-667</b> | 20848-675        |
| 8           | <b>20848-668</b> | <b>20848-676</b> |
| 10          | <b>20848-669</b> | <b>20848-677</b> |
| 12          | <b>20848-670</b> | 20848-678        |



# Plug-in units – for IEC 60297, trapeziform

**KITS**
**PLUG-IN UNIT WITH STATIC TRAPEZIFORM HANDLE**


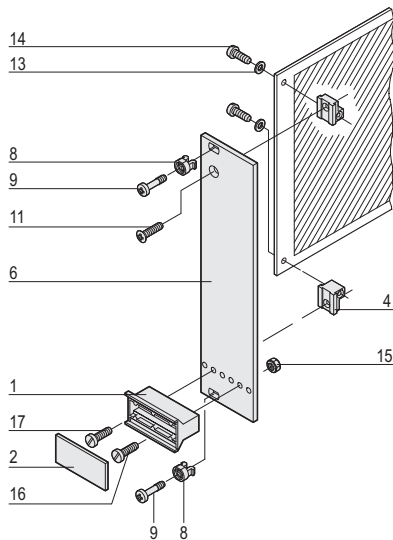
3 U

Remark: Delivery do not include the PCB

- Front panel unshielded
- Handle without extraction function
- **Plastic Material:**  
UL 94 V0, EN 45545-2, R22 - R24, HL3

**DELIVERY COMPRISES**

| Item | Qty |     | Description  |
|------|-----|-----|--|
|      | 3 U | 6 U |  |
| 1    | 1   | 2   | Plastic handle, trapeziform, PC, grey (RAL 7035)   |
| 2    | 1   | 2   | Identification plate, Al, 1.5 mm, anodised, cut edges untreated                              |
| 4    | 2   | 4   | Board support, die-cast zinc   |
| 6    | 1   | 1   | Front panel for trapeziform handle, front anodised, rear iridescent green chromated          |
| 8    | 2   | 2   | Sleeve, PA, grey, up to 7 HP front panel width   |
| 8    | 4   | 4   | Sleeve, PA, grey, from 8 HP front panel width  |
| 9    | 2   | 2   | Pozidrive/slotted collar screw, St, nickel-plated, M2.5 x 12.3, front panel width up to 7 HP |
| 9    | 4   | 4   | Pozidrive/slotted collar screw, St, nickel-plated, M2.5 x 12.3, front panel width from 8 HP  |
| 11   | 1   | 2   | Raised countersunk screw, St, nickel-plated, M2.5 x 8  |
| 13   | 2   | 4   | Washer, A2.7   |
| 14   | 2   | 4   | Pozidrive flathead screw, St, nickel-plated, M2.5 x 8  |
| 15   | 1   | 2   | Hexagon nut, St, nickel-plated, M2.5   |
| 16   | 1   | 2   | Pozidrive flathead screw, St, nickel-plated, M2.5 x 12                                       |
| 17   | 1   | 2   | Pozidrive flathead screw, St, nickel-plated, M2.5 x 16                                       |

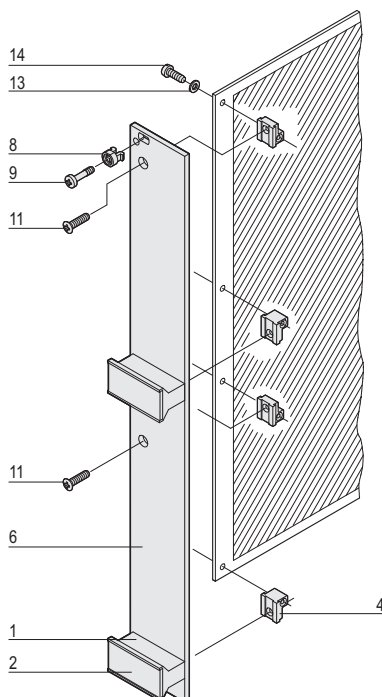


04602064

**ORDER INFORMATION**

| Width HP | 3 U              | 6 U              |
|----------|------------------|------------------|
|          | Part no.         | Part no.         |
| 3        | <b>20818-017</b> | -                |
| 4        | <b>20818-018</b> | <b>20818-025</b> |
| 5        | <b>20818-019</b> | <b>20818-026</b> |
| 6        | <b>20818-020</b> | <b>20818-027</b> |
| 7        | <b>20818-021</b> | <b>20818-162</b> |
| 8        | <b>20818-022</b> | <b>20818-028</b> |
| 10       | <b>20818-023</b> | <b>20818-029</b> |
| 12       | <b>20818-024</b> | <b>20818-120</b> |

6 U



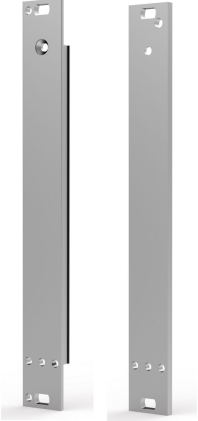
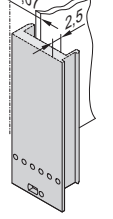
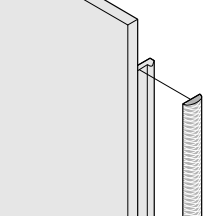
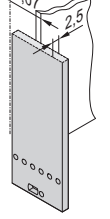
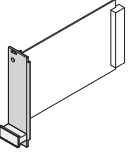
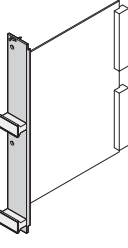
04602065

# Plug-in units – for IEC 60297, trapeziform

**INDIVIDUAL COMPONENTS**

**FRONT PANELS FOR STATIC CANTILEVER HANDLES**

## ORDER INFORMATION

|  | Front panel, U-profile, shieldable  |  | Front panel unshielded  |                  |
|--|---|--|---|------------------|
|  | Front panel, U-profile  | Textile EMC gasket   |   |                  |
|  <p>U-Profile Front panel   Flat Front panel</p> |  <p>04608130</p> <p>Al extrusion, front anodised, rear conductive, alignment pin pressed-in, stainless steel</p> |  <p>bga45760</p> <p>always fixed laterally on the front panel, in the groove of the profile, textile gasket, core: foam, sleeve: textile cladding with CuNi coating, UL 94 V-0, temperature range -40 ... 70 °C</p> |  <p>04608131</p> <p>front panel, Al 2.5 mm; front anodised; rear iridescent green chromated</p> |                  |
| Width HP   | 1 piece (SPQ 5) <sup>1)</sup>   | PU 10 pieces   | PU 100 pieces   |                  |
|  |   |  | 1 piece (SPQ 5) <sup>1)</sup>   |                  |
| <b>3 U Height</b>  |   |  |   |                  |
|  <p>04608126</p>                                | 3   | <b>30849-086</b>   | <b>30847-602</b>  |                  |
|  | 4   | <b>30849-087</b>   | <b>30847-603</b>  |                  |
|  | 5   | <b>30849-088</b>   | <b>30847-604</b>  |                  |
|  | 6   | <b>30849-089</b>   | <b>30847-605</b>  |                  |
|  | 7   | <b>30849-090</b>   | <b>21101-853</b>  | <b>21101-854</b> |
|  | 8   | <b>30849-091</b>   |   | <b>30847-606</b> |
|  | 10  | <b>30849-092</b>   |   | <b>30847-607</b> |
|  | 12  | <b>30849-093</b>   | <b>30847-608</b>  |                  |
|  |   |  | <b>30847-609</b>  |                  |
| <b>6 U Height</b>  |   |  |   |                  |
|  <p>04608127</p>                                | 3   | <b>30849-097</b>   | <b>30847-625</b>  |                  |
|  | 4   | <b>30849-098</b>   | <b>30847-626</b>  |                  |
|  | 5   | <b>30849-099</b>   | <b>30847-627</b>  |                  |
|  | 6   | <b>30849-100</b>   | <b>30847-628</b>  |                  |
|  | 7   | <b>30849-101</b>   | <b>21101-855</b>  | <b>21101-856</b> |
|  | 8   | <b>30849-102</b>   |   | <b>30847-630</b> |
|  | 10  | <b>30849-103</b>   |   | <b>30847-631</b> |
|  | 12  | <b>30849-104</b>   | –   |                  |
| Dimensions see page  | 7.62  |  | 7.62  |                  |

1) SPQ (standard pack quantity): Part number includes 1 piece, but delivery is exclusively made in standard pack quantity (SPQ); please order at least the SPQ quantity or a multiple

Part no. includes one packing unit (PU); delivery is exclusively made in PU

# Plug-in units – for IEC 60297, trapeziform

**INDIVIDUAL COMPONENTS**
**STATIC TRAPEZIFORM HANDLE**
**ORDER INFORMATION**

|  | Plastic handle in trapeziform   |  |                               | Al profile handle  |  |                                   |
|--|---|--|-------------------------------|--|--|-----------------------------------|
|  | Trapeziform handle black (RAL 9005)   | Trapeziform handle light grey (RAL 7035) | Fixing clip                   | Handle<br>item 20  | Fixing part for Al profile handle<br>item 21 | Square nut<br>item 22             |
|  |   |  |                               |  |  |                                   |
|  |   |  |                               |  |  |                                   |
|  | <p>Handle: PC, UL 94 V0; EN 45545-2, R22- R24, HL3</p> <p>Identificationplate: Al, 1.5 mm, anodized, cut edges plain; please order clip separately; 3, 4 HP each have 2 alignment pins, 5 ... 42 TE have no alignment pins;</p> <p>required qty: 1 handle for 3 HE<br/>2 handles for 6 HE</p> |  | clip, PPE, UL 94 V-0, black   | Al extrusion, anodized; fixing part, POM, black; square nut, St, nickel-plated; at length of 1000 mm only Al extrusion | fixing part, POM, black                      | DIN 562, M2.5, St, nickel-plated  |
|  | Width HP  | 1 piece (SPQ 5) <sup>1)</sup>            | 1 piece (SPQ 5) <sup>1)</sup> | PU 100 pieces  | 1 piece (SPQ 10) <sup>1)</sup>               | PU 100 pieces                     |
|  |   |  |                               |  |  |                                   |
|  | <b>3 / 6 U Height</b>   |  |                               |  |  |                                   |
|  | 3   | <b>20809-396</b>                         | <b>20809-294</b>              | –  | <b>20809-281</b>                             |                                   |
|  | 4   | <b>20809-397</b>                         | <b>20809-295</b>              | –  | <b>20809-282</b>                             |                                   |
|  | 5   | <b>20808-080</b>                         | <b>20808-003</b>              | <b>21101-239</b>   | <b>20809-283</b>                             |                                   |
|  | 6   | <b>20808-081</b>                         | <b>20808-060</b>              | <b>21101-239</b>   | <b>20809-284</b>                             |                                   |
|  | 7   | <b>20808-082</b>                         | <b>20808-061</b>              | <b>21101-239</b>   | <b>20809-285</b>                             |                                   |
|  | 8   | <b>20808-083</b>                         | <b>20808-062</b>              | <b>21101-239</b>   | <b>20809-286</b>                             |                                   |
|  | 9   | <b>20808-084</b>                         | <b>20808-063</b>              | <b>21101-239</b>   | <b>20809-287</b>                             |                                   |
|  | 10  | <b>20808-085</b>                         | <b>20808-004</b>              | <b>21101-239</b>   | <b>20809-288</b>                             |                                   |
|  | 12  | <b>20808-086</b>                         | <b>20808-064</b>              | <b>21101-239</b>   | <b>20809-289</b>                             |                                   |
|  | 14  | <b>20808-087</b>                         | <b>20808-065</b>              | <b>21101-239</b>   | <b>20809-290</b>                             |                                   |
|  | 21  | <b>20808-088</b>                         | <b>20808-066</b>              | <b>21101-239</b>   | <b>20809-291</b>                             |                                   |
|  | 28  | <b>20808-089</b>                         | <b>20808-067</b>              | <b>21101-239</b>   | <b>20809-292</b>                             |                                   |
|  | 40  | <b>20808-090</b>                         | <b>20808-009</b>              | <b>21101-239</b>   | –  |                                   |
|  | 42  | <b>20808-091</b>                         | <b>20808-068</b>              | <b>21101-239</b>   | <b>20809-293</b>                             |                                   |
|  | 61  | –  | <b>20808-012</b>              | –  | –  |                                   |
|  | 1000 mm   | –  | –                             | –  | <b>30809-428</b>                             | <b>21100-476</b> <b>21100-359</b> |
|  |   | 7.60 Item<br>15, 16, 17                  |                               |  |  |                                   |
|  | Dimensions see page   | 7.60                                     | 7.60                          | 7.59   | 7.59   | 7.59                              |

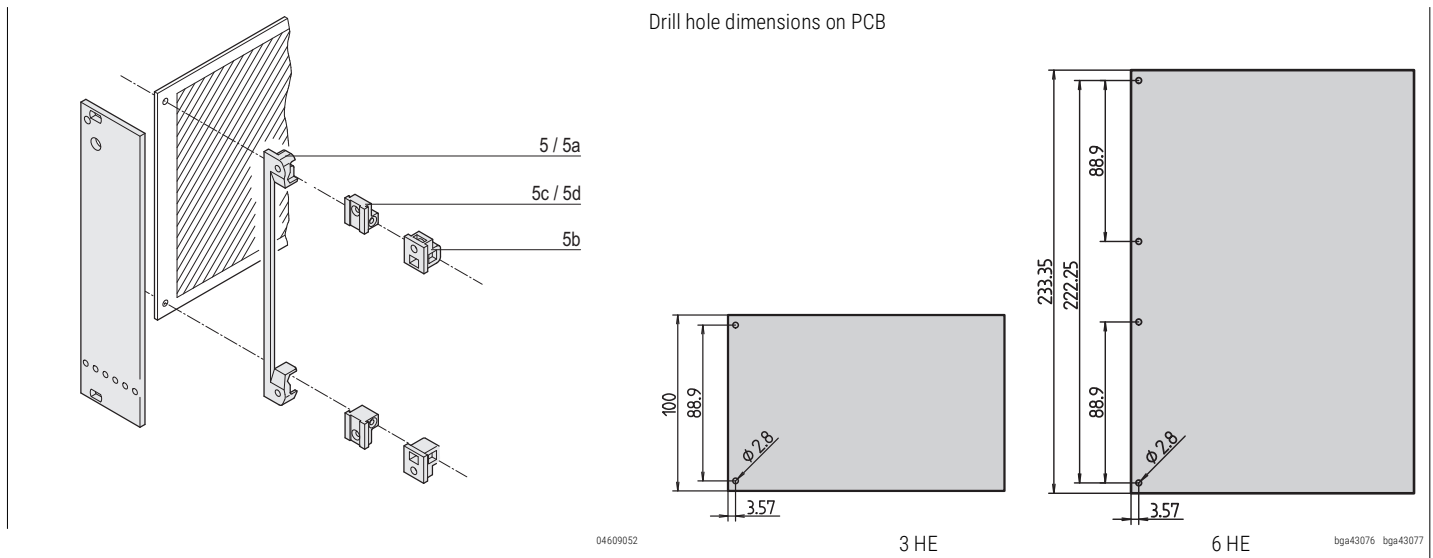
Fixing material see page

Dimensions see page

1) SPQ (standard pack quantity): Part number includes 1 piece, but delivery is exclusively made in standard pack quantity (SPQ); lease order at least the SPQ quantity or a multiple

Part no. includes one packing unit (PU); delivery is exclusively made in PU

# Plug-in units – for IEC 60297, trapeziform

**INDIVIDUAL COMPONENTS**
**PCB BRACKET FOR STATIC TRAPEZIFORM HANDLE**


04609052

3 HE

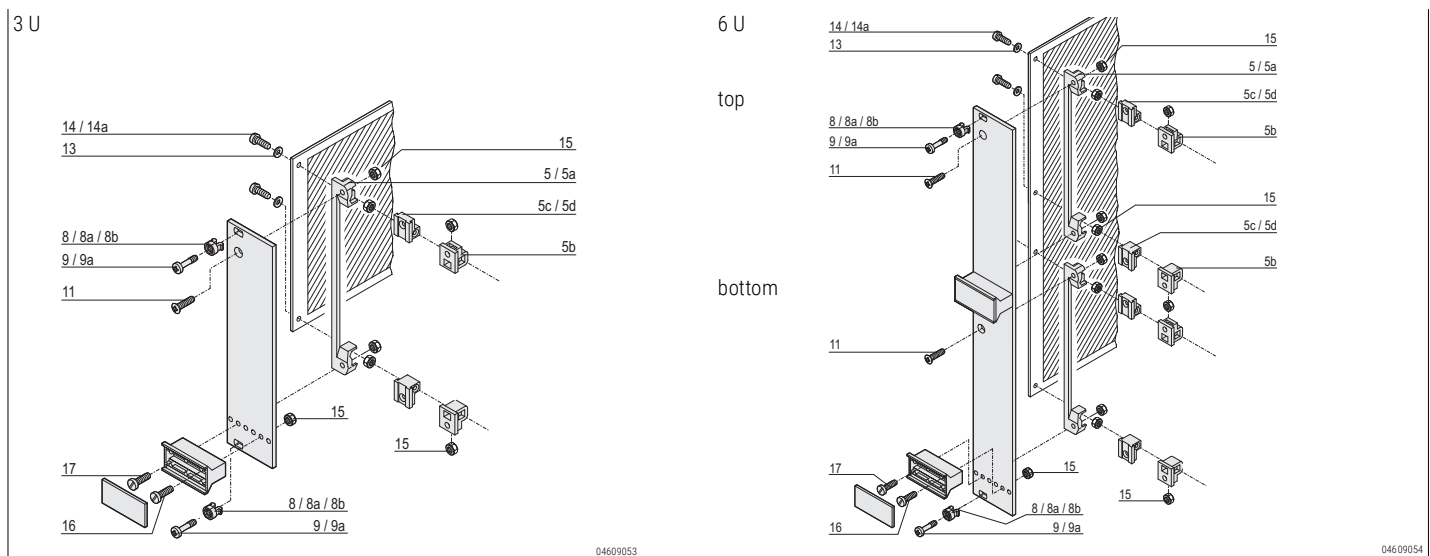
6 HE

bga43076 bga43077

|  | Item | Required Qty | Required Qty |     | Qty/PU                         | Part no.         |
|--|------|--------------|--------------|-----|--------------------------------|------------------|
|  |      |              | 3 U          | 6 U |                                |                  |
| <b>PCB bracket</b><br>4 clearance holes for front panel/PCB fixing,<br>4 recesses for hexagon nuts; PBT, UL 94 V-0, red  | 5    |              | 1            | 2   | 1 piece (SPQ 10) <sup>1)</sup> | <b>60807-011</b> |
| <b>PCB bracket</b><br>4 threads M2.5 for front panel/PCB fixing,<br>PBT, UL 94 V-0, grey, 1 piece  | 5a   | <br>AZA45177 | 1            | 2   | 1 piece (SPQ 10) <sup>1)</sup> | <b>60807-211</b> |
| <b>PCB bracket</b><br>Clearance hole for front panel fixing, with recess for hexagon nut, drill hole for self-tapping screw for PCB fixing,<br>PBT, UL 94 V-0, grey, 1 piece | 5b   | <br>AZA45177 | 2            | 4   | 1 piece (SPQ 10) <sup>1)</sup> | <b>60807-183</b> |
| <b>PCB bracket</b><br>2 threads M2.5 for front panel/PCB fixing, die-cast zinc, 1 piece  | 5c   | <br>06707050 | 2            | 4   | 1 piece (SPQ 10) <sup>1)</sup> | <b>60807-181</b> |
| <b>PCB bracket</b><br>Thread M2.5 for front panel fixing, clearance hole for PCB fixing, die-cast zinc, 1 piece  | 5d   | <br>06707050 | 2            | 4   | 1 piece (SPQ 10) <sup>1)</sup> | <b>60807-203</b> |

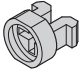







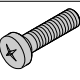



1) SPQ (standard pack quantity): Part number includes 1 piece, but delivery is exclusively made in standard pack quantity (SPQ); please order at least the SPQ quantity or a multiple

# Plug-in units – for IEC 60297, trapeziform

**INDIVIDUAL COMPONENTS**
**FIXING MATERIAL FOR STATIC TRAPEZIFORM HANDLE**


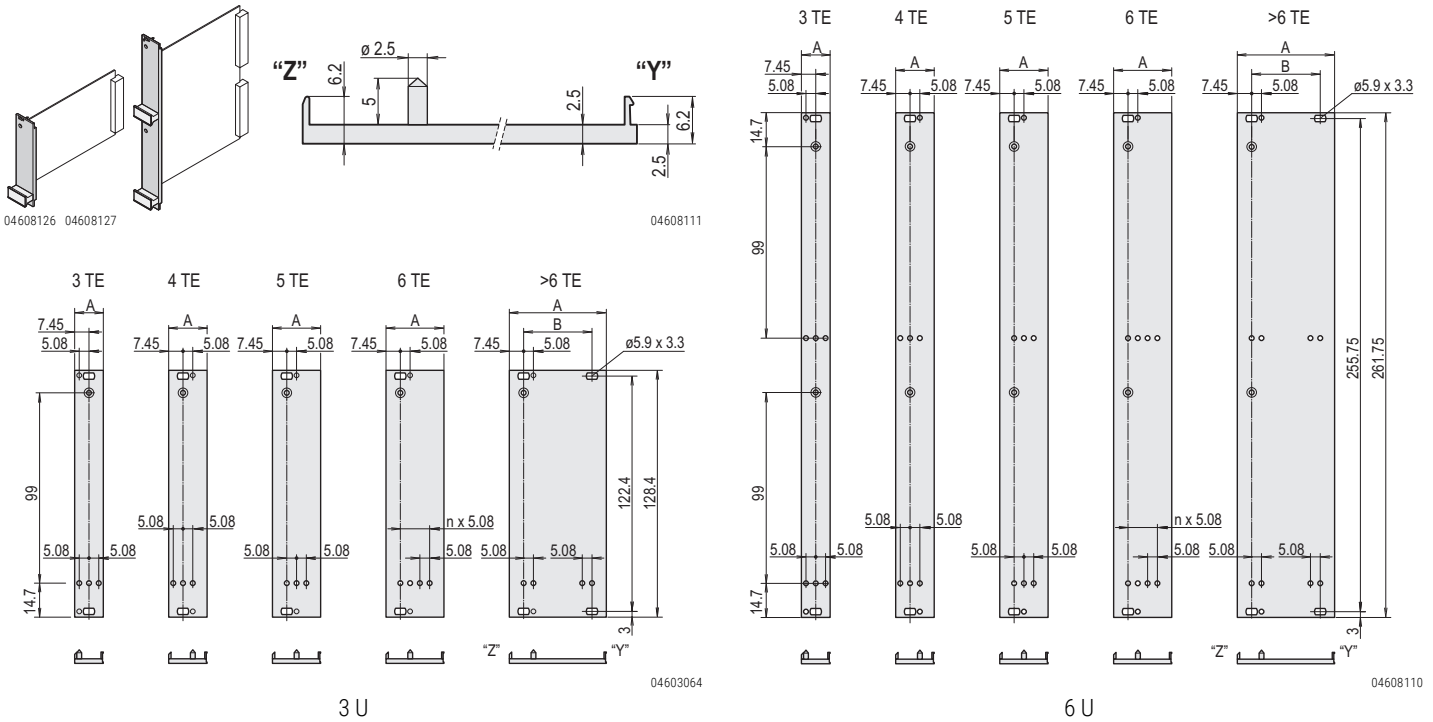
04609053

04609054

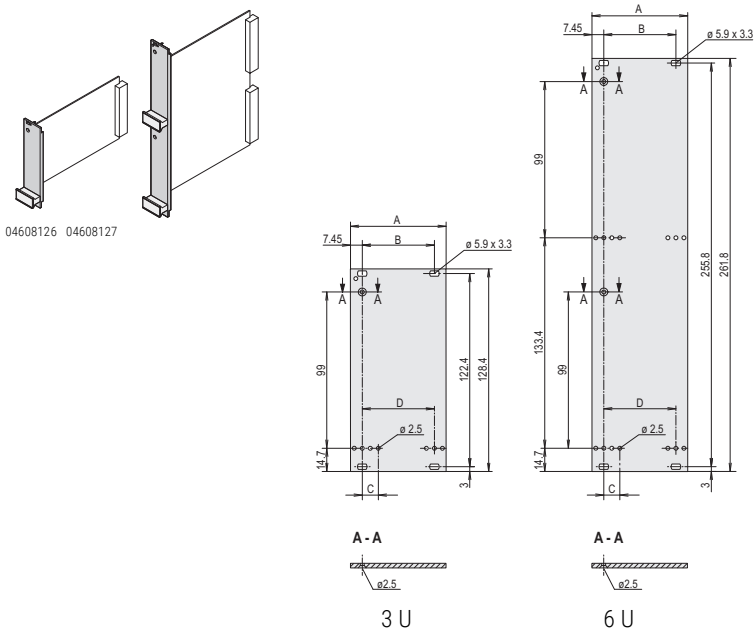
|  | Item | Item Image  | Required Qty  |               | Qty/PU        |               | Part no. |                  |
|--|------|---|---------------|---------------|---------------|---------------|----------|------------------|
|  |      |   | 3 U<br>< 8 HP | 3 U<br>≥ 8 HP | 6 U<br>< 8 HP | 6 U<br>≥ 8 HP |          |                  |
| Plastic sleeve, for form hole 5.9 x 3.3<br>PA, UL 90 V-2, grey   | 8    |   | 2             | 4             | 2             | 4             | 100      | <b>21100-464</b> |
| Metal sleeve, for form hole 5.9 x 3.3, press-in<br>Stainless steel                                       | 8    |  | 2             | 4             | 2             | 4             | 100      | <b>21100-662</b> |
| Metal sleeve, for form hole 5.9 x 3.3, to press-in<br>Nickel-plated brass                                | 8a   |  | 2             | 4             | 2             | 4             | 100      | <b>21100-660</b> |
| Collar screws pozidrive/slot (Philips)<br>M2.5 x 12.3, St, nickel-plated<br>not for europacPRO and cases | 9    |  | 2             | 4             | 2             | 4             | 100      | <b>21102-026</b> |
| Pozidrive/slotted collar screw<br>M2.5 x 12.3, St, nickel-plated   | 9a   |  | 2             | 4             | 2             | 4             | 100      | <b>21101-101</b> |
| Raised Pozidrive countersunk screw<br>M2.5 x 8, St, nickel-plated  | 11   |  | 1             | 1             | 2             | 2             | 100      | <b>21100-429</b> |
| Washer<br>2.7 DIN 125, St, nickel-plated, 100 pieces   | 13   |  | 2             | 2             | 4             | 4             | 100      | <b>21100-721</b> |
| Pozidrive panhead screw<br>M2.5 x 8, nickel-plated steel<br>if using item 13                             | 14   |  | 2             | 2             | 4             | 4             | 100      | <b>21101-069</b> |
| Panhead screw, self-tapping<br>2.5 x 8, St, zinc-plated<br>for items 5 and 5b                            | 14a  |  | 1             | 1             | -             | -             | 100      | <b>21100-710</b> |
| Hexagon nut<br>M2.5, nickel-plated steel<br>for items 5 and 5b   | 5    |  | 4             | 4             | 8             | 8             | 100      | <b>21100-144</b> |
|  | 5b   |   | 2             | 2             | 4             | 4             |          |                  |
| Pozidrive panhead screw<br>M2.5 x 12, nickel-plated steel  | 16   |  | 1             | 1             | 2             | 2             | 100      | <b>21101-221</b> |
| Pozidrive panhead screw<br>M2.5 x 16, nickel-plated steel  | 17   |  | 1             | 1             | 2             | 2             | 100      | <b>21101-222</b> |

1) SPQ (standard pack quantity): Part number includes 1 piece, but delivery is exclusively made in standard pack quantity (SPQ); please order at least the SPQ quantity or a multiple

# Plug-in units – for IEC 60297, trapeziform

**DIMENSIONS**
**FRONT PANELS, U PROFILE, SHIELDABLE FOR STATIC TRAPEZIFORM HANDLE**


| Dimensions table |       |       |
|------------------|-------|-------|
| Width HP         | A mm  | B mm  |
| 3                | 14.90 | -     |
| 4                | 19.98 | -     |
| 5                | 25.06 | -     |
| 6                | 30.14 | -     |
| 7                | 35.22 | -     |
| 8                | 40.30 | 25.40 |
| 10               | 50.46 | 35.56 |
| 12               | 60.62 | 45.72 |

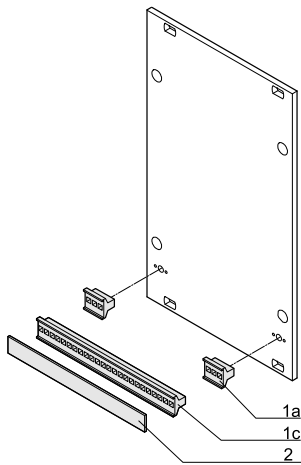
**DIMENSIONS**
**FRONT PANELS FOR STATIC TRAPEZIFORM HANDLE**


| Dimensions table |       |       |       |       |
|------------------|-------|-------|-------|-------|
| Width HP         | A mm  | B mm  | C mm  | D mm  |
| 3                | 14.90 | -     | -     | -     |
| 4                | 19.98 | -     | -     | -     |
| 5                | 25.06 | -     | 10.16 | -     |
| 6                | 30.14 | -     | -     | 15.24 |
| 7                | 35.22 | -     | -     | 20.32 |
| 8                | 40.30 | 25.40 | -     | 25.40 |
| 10               | 50.46 | 35.56 | -     | 35.56 |
| 12               | 60.62 | 45.72 | -     | 45.72 |

# Plug-in units – for IEC 60297, trapeziform

**DIMENSIONS**
**STATIC PLASTIC HANDLES, TRAPEZIFORM**
**Dimensions table**

| Item | Width |       |
|------|-------|-------|
|      | HP    | mm    |
| 1a   | 3     | 13.8  |
| 1a   | 4     | 18.9  |
| 1c   | 5     | 24.0  |
| 1c   | 6     | 29.0  |
| 1c   | 7     | 34.1  |
| 1c   | 8     | 39.2  |
| 1c   | 9     | 44.3  |
| 1c   | 10    | 49.4  |
| 1c   | 12    | 59.6  |
| 1c   | 14    | 69.7  |
| 1c   | 21    | 105.2 |
| 1c   | 28    | 140.8 |
| 1c   | 40    | 201.8 |
| 1c   | 42    | 212.0 |
| 1c   | 61    | 308.5 |



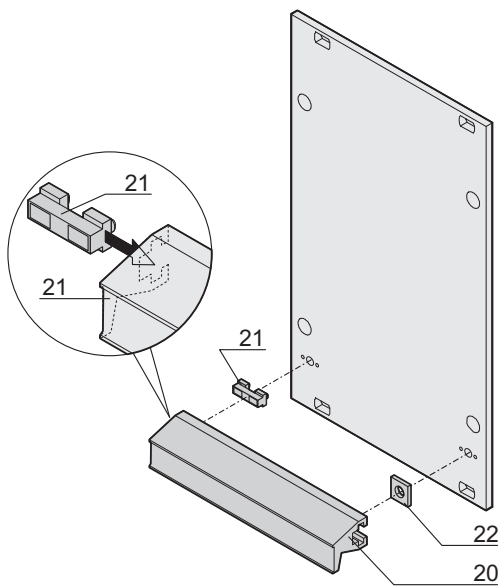
BGA46447

A4-328a

A4-328c

**DIMENSIONS**
**ALUMINIUM EXTRUSION HANDLES**
**Dimensions table**

| Item | Width |       |
|------|-------|-------|
|      | HP    | mm    |
| 20   | 3     | 13.8  |
| 20   | 4     | 18.9  |
| 20   | 5     | 24.0  |
| 20   | 6     | 29.0  |
| 20   | 7     | 34.1  |
| 20   | 8     | 39.2  |
| 20   | 9     | 44.3  |
| 20   | 10    | 49.4  |
| 20   | 12    | 59.6  |
| 20   | 14    | 69.7  |
| 20   | 21    | 105.2 |
| 20   | 28    | 140.8 |
| 20   | 40    | 201.8 |
| 20   | 42    | 212.0 |
| 20   | -     | 1000  |

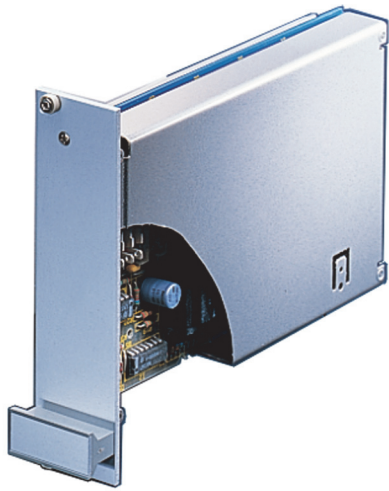


04602069

A4-328d

# Plug-in units – with mechanical shielding

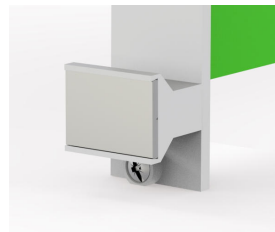
## PLUG-IN UNIT WITH MECHANICAL SHIELDING, 3 U KITS



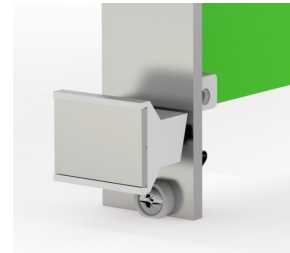
04694001

- Mechanical protection of sub-assembly
- Earthing of shielding panels possible by Faston connectors 6.3 × 0.6 mm
- For euroboards 100 × 160 mm

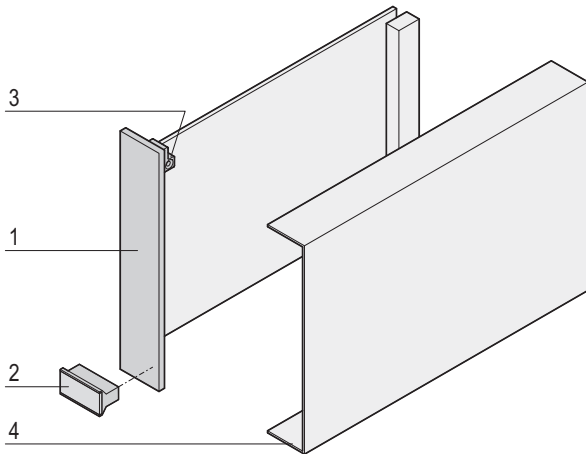
Handles without extraction function



Handles with extraction function



## 3 U KIT, SHIELDING COMPONENT SIDE



04602077

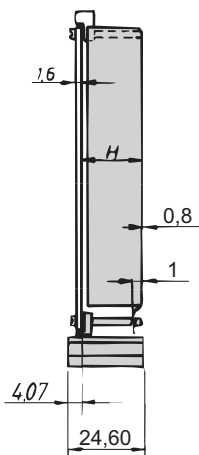
- Usable connectors in accordance with EN 60603 (DIN 41612): Construction type B, C, D, F, H, R;

### DELIVERY COMPRISES

| Item | Qty | Description  |
|------|-----|--|
| 4    | 1   | Shielding panel component side for 6 HP front panel width, stainless steel, 0.8 mm |

### ORDER INFORMATION

| Description  | Part No.         |
|--|------------------|
| Shielding panel component side for 6 HP front panel width, stainless steel, 0.8 mm | <b>20809-371</b> |

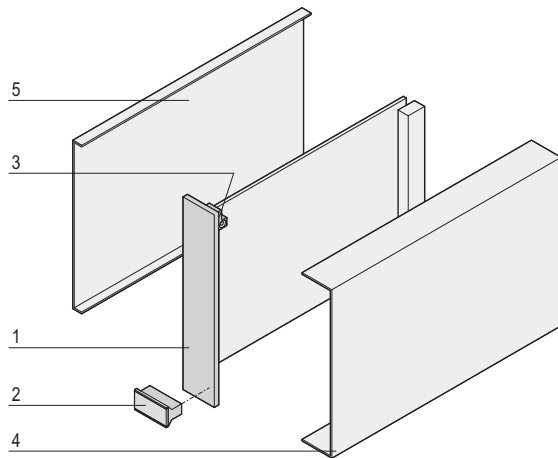


a4-237



# Plug-in units – with mechanical shielding

## 3 U KITS, BOTH SIDES SHIELDED (SOLDER/COMPONENT SIDE)



04602078

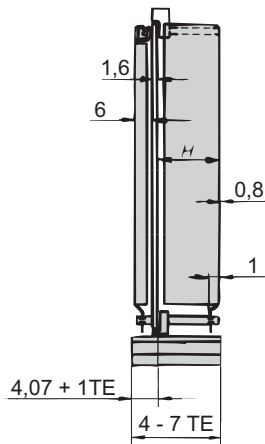
- Usable connectors in accordance with EN 60603 (DIN 41612):  
Construction type B, C, D, F, H, R;

### DELIVERY COMPRISES

| Item | Qty | Description   |
|------|-----|---|
| 5    | 1   | Shielding panel on solder side, stainless steel, 0.8 mm |

### ORDER INFORMATION

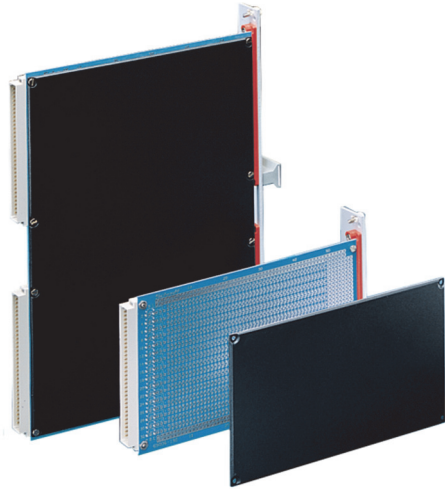
| Description   | Part no.         |
|---|------------------|
| Shielding panel on solder side, stainless steel, 0.8 mm | <b>30809-571</b> |



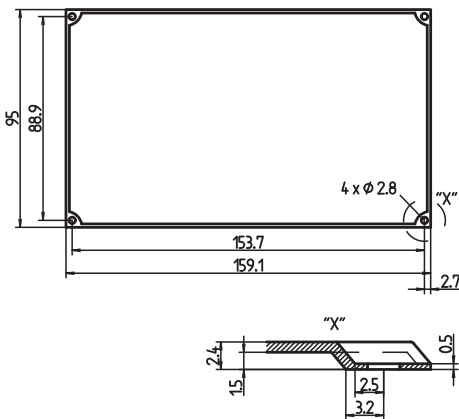
a4-236a

# Plug-in units – with mechanical shielding

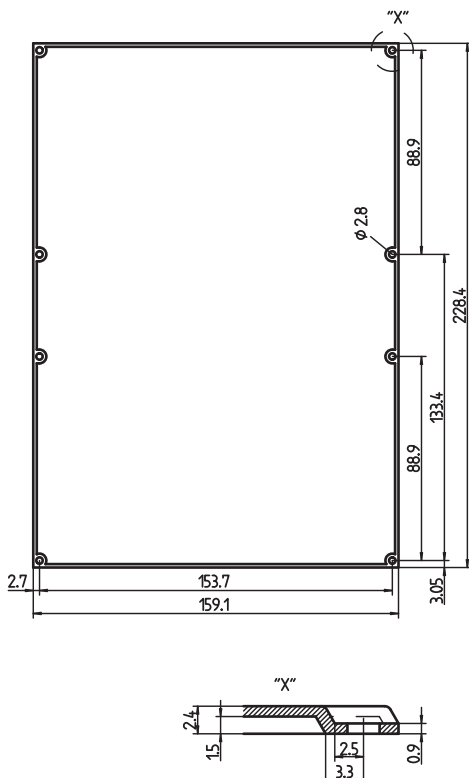
## PCB COVER FOR EUROBOARDS



For PCBs 100 x 160 mm



For PCBs 233.35 x 160 mm



- Mechanical protection of the solder side

### ORDER INFORMATION

| Description   | Qty              | Part no.         |
|---|------------------|------------------|
| PCB cover (thickness 0.9 mm) for euroboards (100 x 160 mm), PBT, black, max. operating temperature without permanent deformation 55 °C  | 1 piece (SPQ 10) | <b>61000-007</b> |
| PCB cover (thickness 0.9 mm) with similar temperature expansion coefficients to FR4 PCB; for euroboards (100 x 160 mm), LCP, UL 94 V-0, white, max. operating temperature without permanent deformation 85 °C | 1 piece (SPQ 10) | <b>61000-177</b> |
| PCB cover for double euroboards (233.35 x 160 mm), PP, UL 94 V-0, black   | 1 piece (SPQ 10) | <b>61000-012</b> |
| Slotted flathead screw<br>M2.5 x 6, height of head 1.2 mm, PU 100 pieces  |                  | <b>21102-007</b> |
| Slotted flathead screw<br>M2.5 x 12, height of head 1.2 mm, PU 100 pieces   |                  | <b>21102-008</b> |

11092008

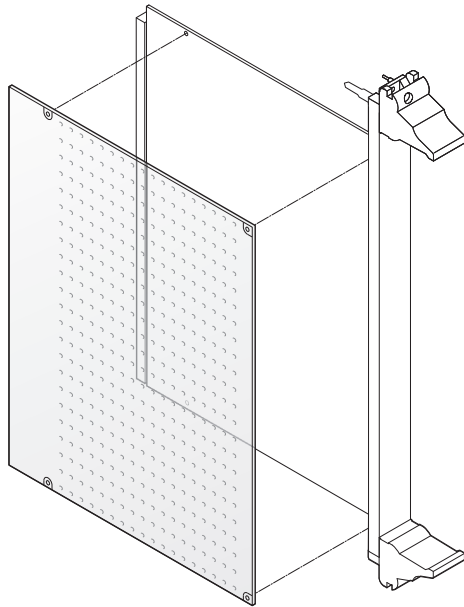
SPQ (standard pack quantity): Part number includes 1 piece, but delivery is exclusively made in standard pack quantity: please order at least 10 pieces of PCB covers or a multiple

LKA40520

LKA30451

# Plug-in units – with mechanical shielding

## PCB COVER FOR COMPACTPCI



- Mechanical protection of solder side
- Cover is perforated for better cooling of components

### DELIVERY COMPRISES

| Item | Qty | Description  |
|------|-----|--|
| 1    | 1   | Cover, plastic, 0.5 mm, antistatic, perforated, UL 94 V-0; max. operating temperature 65 °C, max. continuous operating temperature 55 °C |

### ORDER INFORMATION

| Height U                   | Depth mm | Part no.         |
|----------------------------|----------|------------------|
| 6                          | 80       | 24579-039        |
| 3                          | 160      | <b>24579-037</b> |
| 6                          | 160      | <b>24579-038</b> |
| Fixing clips PU 100 pieces |          | 21101-914        |

### NOTE

- Fixing clips are required for mounting the perforated covers; please order separately

12303051

## North America

Warwick, RI, USA

Tel +1.401.738.1722

San Diego, CA, USA

Tel +1.858.740.2400

## Europe, Middle East & India

Straubenhardt, Germany

Tel +49 7082 794 0

Betschdorf, France

Tel +33 3 88 90 64 90

Warsaw, Poland

Tel +48 22 209 98 35

Hemel Hempstead,

Great Britain

Tel +44 1442 24 04 71

Lainate, Italy

Tel +39 02 932 714 1

Dubai, United Arab Emirates

Tel +971 4 82 38 666

Bangalore, India

Tel +91 80 6715 8900

Istanbul, Turkey

Tel +90 541 368 0941

## Asia Pacific

Shanghai, China

Tel +86 21 2412 6943

Singapore

Tel +65 6768 5800

Shin-Yokohama, Japan

Tel +81 45 476 0271

Our powerful portfolio of brands:

**CADDY ERICO HOFFMAN RAYCHEM SCHROFF TRACER**



[nVent.com/SCHROFF](https://www.nvent.com/SCHROFF)