



BOTEGO, BOPLA's enclosure system, sets new standards in enclosure technology. Thanks to its design, the enclosure, consisting of two plastic half-shells, can be inserted either horizontally or vertically.

Extension sets permit optimal adaptation to the relevant space requirements. The ergonomically shaped operating front permits user-friendly operation of the equipment.

In order to achieve natural convection everywhere in the enclosure, the system was developed in such a way that sections with air vents can be mounted directly over each other or also staggered.

The snap-lock technology, which considerably reduces the amount of mounting time and work needed, is a new technological development.

With BOTEGO, every user can create his or her own individual design. Different design elements and caps in 6 different colours can modify the basic neutral enclosure to create an individual touch. All the elements which vary the design are available ex works.

For enclosure surface designs, BOPLA offers both standard decor foils and customer-specific foils – shape, colour or embossing can be selected individually.



Enclosure material: ABS; for technical data see pages 646-650.

Colour: Light grey, similar to RAL 7035; special colours on request.

Ingress protection: Closed: IP 40/DIN EN 60529; with air vents: IP 30/DIN EN 60529.

Scope of delivery: 2 half-shells.

The caps for the enclosure must be ordered separately.

Accessories (additional charge):

BO FP...: Front panel aluminium Al Mg3, anodized, 2 mm; Front panel available in plastic on request.

BO AB: Extension set, ABS light grey, similar to RAL 7035; additional colours for minimum orders of 500 extension sets (see product pages).

BO SF: Angled operating front

BO PT: Set of profiles for screw-on part front panel

BO PB: Filling profile set for mounting rack installation

BO HS: Handle

BO WB: Wall fixing (see set of caps 4)

BOTEGO cable strain-relief set: Cable strain-relief set BOTEGO set

of screws: Set of screws for additional screwing of enclosure lid and base as well as of extension sets.

Design accessories:

Set of design elements for individual design of the front section (set = 2 pieces); 4 different designs in 6 colours.

Design foil for the foil surface of the half-shells (2 designs) on request.

Customer-specific design elements and colours available on request.

Notes:

The caps (not included in the scope of delivery) are available for 4 different applications. 6 colours are available in each case. See product pages.

In the case of the enclosure height (or width for vertical use), by using extension sets in combination with the basic enclosure you can achieve any height with an extension pitch of 15.24 mm.

Bosses for self-tapping screws are provided in the enclosure shells. The boss diameters correspond to – among others – Eurocard formats. Inside the enclosures are additional slots for PCB cards, mounting plates, etc..

Ventilation:

In the BOTEGO series, optimal ventilation can be achieved by turning the half-shells according to the individual requirements.

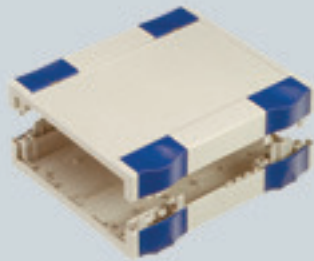
Half-shell air vents are mounted directly over each other and allow optimal ventilation of parts which are especially heat-intensive. If the half-shell air vents are staggered simply by turning one of the half-shells, the entire interior of the enclosure is ventilated diagonally. If the enclosures are stacked on top of each other, this ensures that the warm air expelled from one enclosure does not directly enter the unit above.

19" technology:

Any 19" mounting rack can be fitted in the enclosure with a minimum of additional effort. See product pages.



BOTEGO



BOTEGO 320..



BOTEGO 320.. (L)

The BOTEGO enclosure BO 320.. offers 3 different enclosure basic heights. On request, these are also available with injection-moulded air vents in the half-shells (models BO 320..L).

The appropriate enclosure height can be expanded in combination with extension set AB 02009 (L) in accordance with the selection table on the right.

The enclosure set is closed, and also available with ventilation (L). Details of the front panels to be used for the different enclosure heights are also given in the table.

BOTEGO BO 320.. (L)

Enclosures

Model	Order no.	W	H	D
BO 32006	68320060	174	49.96	196.9
BO 32006 L	68320061	174	49.96	196.9
BO 32009	68320090	174	65.20	196.9
BO 32009 L	68320091	174	65.20	196.9
BO 32012	68320120	174	80.44	196.9
BO 32012 L	68320121	174	80.44	196.9

L = with injection-moulded air vents in both half-shells

Scope of delivery:

2 half-shells

Note:

The caps (not included in the scope of delivery), which allow individual enclosure design, are shown on pages 66-67.

Please also order the front panels separately.

Additional accessories:

Optical elements for the special design of your BOTEGO enclosure are shown in the "BOTEGO accessories" section starting on page 84.

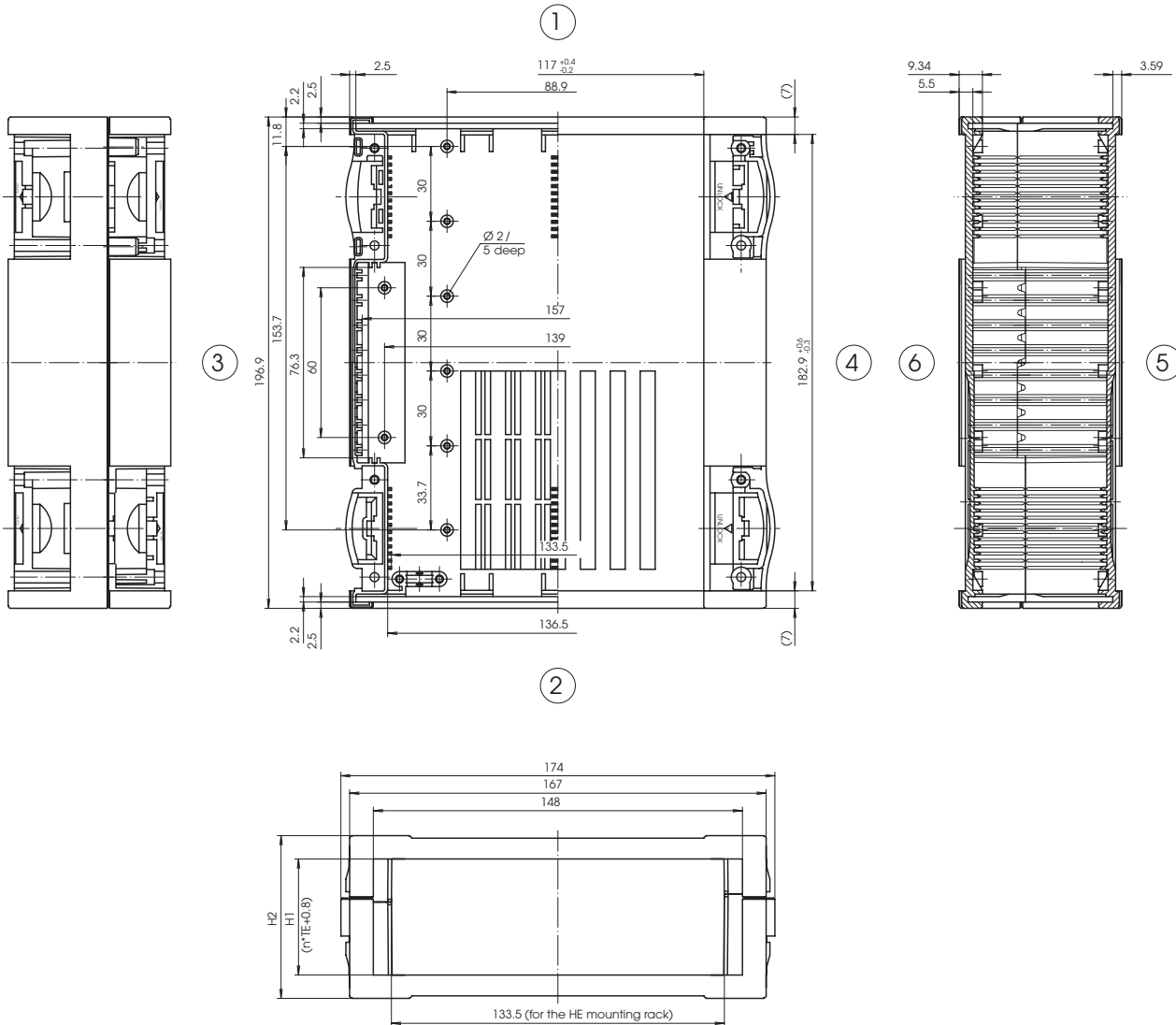
Table of enclosures, extension set AB 02009 (L) and front panel

Enclosures	Internal encl. height clearance (H1)		Number of AB 02009 (L)	Front panels to be used
	TE			
BO 32006 (L)	31.28	6	–	BO FP 30006
BO 32009 (L)	46.52	9	–	BO FP 30009
BO 32012 (L)	61.76	12	–	BO FP 30012
BO 32006 (L)	77.00	15	1	BO FP 30015
BO 32009 (L)	92.24	18	1	BO FP 30018
BO 32012 (L)	107.48	21	1	BO FP 30021
BO 32006 (L)	122.72	24	2	BO FP 30024
BO 32009 (L)	137.96	27	2	BO FP 30027
BO 32012 (L)	153.20	30	2	BO FP 30030
BO 32006 (L)	168.44	33	3	BO FP 30033
BO 32009 (L)	183.68	36	3	BO FP 30036
BO 32012 (L)	198.92	39	3	BO FP 30039
BO 32006 (L)	214.16	42	4	BO FP 30042
BO 32009 (L)	229.40	45	4	BO FP 30045
BO 32012 (L)	244.64	48	4	BO FP 30048

Note:

The order numbers for the extension sets and front panels are shown on page 64.

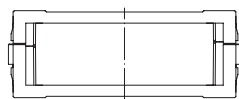
BO 320.. (L)



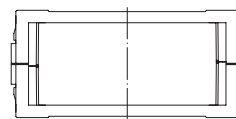
Model	H1	H2	n
BO 32006 (L)	31.28	49.96	6
BO 32009 (L)	46.52	65.20	9
BO 32012 (L)	61.76	80.44	12



BO 32006 / BO 32006 L
(half shell low/low)



BO 32009 / BO 32009 L
(half shell low/high)



BO 32012 / BO 32012 L
(half shell high/high)



BOTEGO



Extension set AB 02009 (L)
 This extension set can be used to expand the BOTEGO enclosures between the half-shells by $n \times 9$ TE. The extension set is closed, and is also available with ventilation (L).



Front panels
 Aluminium front panels for insertion in enclosure half-shells. On request, we can also supply these processed or printed.

Extension set AB 02009 (L) for BOTEGO BO 320.. (L)

Order designation

Model	Order no.	Design	Colour
BO AB 02009-7035	68200910		● Light grey, sim. to RAL 7035
BO AB 02009 L-7035	68200911	with vent.	● Light grey, sim. to RAL 7035

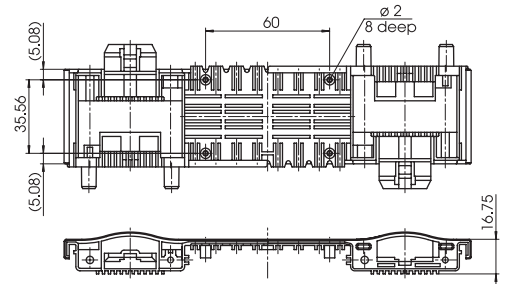
Order designation for different colours (for orders of 500+)

Model	Order no.	Design	Colour
BO AB 02009-6027	68200920		● Light green, sim. to RAL 6027
BO AB 02009-7024	68200930		● Graphite grey, sim. to RAL 7024
BO AB 02009-5014	68200940		● Dove blue, sim. to RAL 5014
BO AB 02009-5002	68200950		● Ultramarine, sim. to RAL 5002
BO AB 02009-I0788	68200960		● Green translucent
BO AB 02009 L-6027	68200921	with vent.	● Light green, sim. to RAL 6027
BO AB 02009 L-7024	68200931	with vent.	● Graphite grey, sim. to RAL 7024
BO AB 02009 L-5014	68200941	with vent.	● Dove blue, sim. to RAL 5014
BO AB 02009 L-5002	68200951	with vent.	● Ultramarine, sim. to RAL 5002
BO AB 02009 L-I0788	68200961	with vent.	● Green translucent

Scope of delivery:

2 extension parts

Selection table, see page 62.



Z-2802028

Front panels, aluminium, anodized, 2 mm thick

Order designation

Model	Order no.	TE	H	W
BO FP 30006	68711306	6	42.48	161.00
BO FP 30009	68711309	9	57.72	161.00
BO FP 30012	68711312	12	72.96	161.00
BO FP 30015	68711315	15	88.20	161.00
BO FP 30018	68711318	18	103.44	161.00
BO FP 30021	68711321	21	118.68	161.00
BO FP 30024	68711324	24	133.92	161.00
BO FP 30027	68711327	27	149.16	161.00
BO FP 30030	68711330	30	164.40	161.00
BO FP 30033	68711333	33	179.64	161.00
BO FP 30036	68711336	36	194.88	161.00
BO FP 30039	68711339	39	210.12	161.00
BO FP 30042	68711342	42	225.36	161.00
BO FP 30045	68711345	45	240.60	161.00
BO FP 30048	68711348	48	255.84	161.00

Note:

The front panels to be used depend on the extension sets used. Please see the selection table on page 62.

Front panel available in plastic on request!

Angled operating front

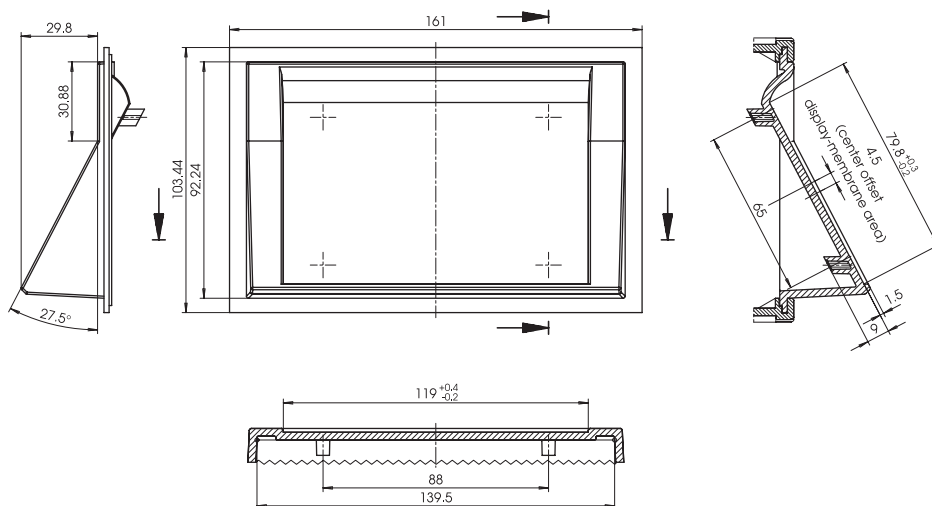
Order designation

Model	Order no.	TE	H	W
BO SF-3 001800	68018003	18	103.44	161

Scope of delivery:
1 operating front

Note:

If additional processing takes place, the operating front, in combination with an aluminium front panel and additional extension sets, can also be used with different enclosure heights. We will be pleased to carry out the necessary processing work for you.



BO SF-3 001800

The operating front can be used in combination with enclosure BO 32009 (L) and extension set BO AB 02009 (L).

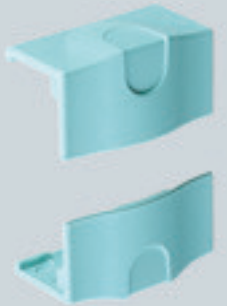
The dimensions of the membrane keypad area which is 1.5 mm deeper are 119 x 79.8 mm.



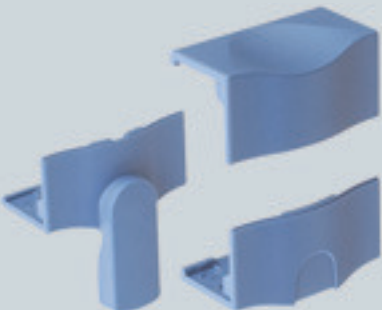
BOTEGO



Cap set 1 is designed for use with desktop enclosures.



Cap set 2 allows stacking of the enclosures and ensures good air circulation for air vent versions by increasing the distance between the enclosures.



Cap set 3 is suitable for stand-alone desktop enclosures. The collapsible feet can be used to tilt the enclosure. This permits better operation or better visibility of the front.

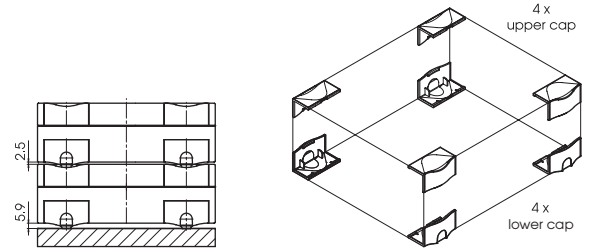
Cap set 1

Order designation

Model	Order no.	Colour
BO-KS 1-7035	68011000	● Light grey, similar to RAL 7035
BO-KS 1-6027	68012000	● Light green, similar to RAL 6027
BO-KS 1-7024	68013000	● Graphite grey, similar to RAL 7024
BO-KS 1-5014	68014000	● Dove blue, similar to RAL 5014
BO-KS 1-5002	68015000	● Ultramarine, similar to RAL 5002
BO-KS 1-I0788	68016000	● Green translucent

Scope of delivery:

4 upper caps,
4 lower caps,
4 rubber feet



Z-2802054

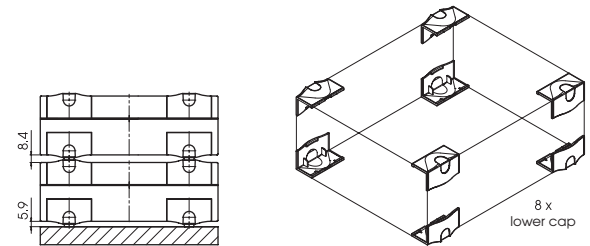
Cap set 2

Order designation

Model	Order no.	Colour
BO-KS 2-7035	68021000	● Light grey, similar to RAL 7035
BO-KS 2-6027	68022000	● Light green, similar to RAL 6027
BO-KS 2-7024	68023000	● Graphite grey, similar to RAL 7024
BO-KS 2-5014	68024000	● Dove blue, similar to RAL 5014
BO-KS 2-5002	68025000	● Ultramarine, similar to RAL 5002
BO-KS 2-I0788	68026000	● Green translucent

Scope of delivery:

8 lower caps,
4 rubber feet



Z-2802055

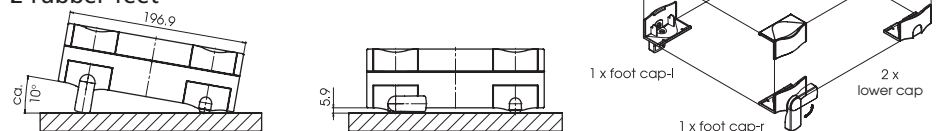
Cap set 3

Order designation

Model	Order no.	Colour
BO-KS 3-7035	68031000	● Light grey, similar to RAL 7035
BO-KS 3-6027	68032000	● Light green, similar to RAL 6027
BO-KS 3-7024	68033000	● Graphite grey, similar to RAL 7024
BO-KS 3-5014	68034000	● Dove blue, similar to RAL 5014
BO-KS 3-5002	68035000	● Ultramarine, similar to RAL 5002
BO-KS 3-I0788	68036000	● Green translucent

Scope of delivery:

4 upper caps, 2 lower caps,
2 foot caps with collapsible feet,
2 rubber feet



Z-2802056

Cap set 4

Order designation

Model	Order no.	Colour
BO-KS 4-7035	68041000	● Light grey, similar to RAL 7035
BO-KS 4-6027	68042000	● Light green, similar to RAL 6027
BO-KS 4-7024	68043000	● Graphite grey, similar to RAL 7024
BO-KS 4-5014	68044000	● Dove blue, similar to RAL 5014
BO-KS 4-5002	68045000	● Ultramarine, similar to RAL 5002
BO-KS 4-I0788	68046000	● Green translucent

Scope of delivery:

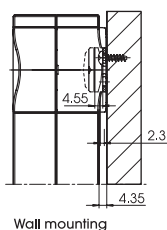
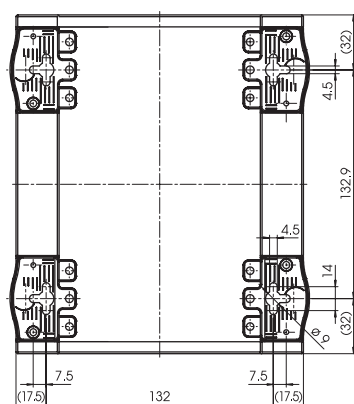
- 4 upper caps,
- 4 wall-fixing caps,
- 4 rubber feet

Note:

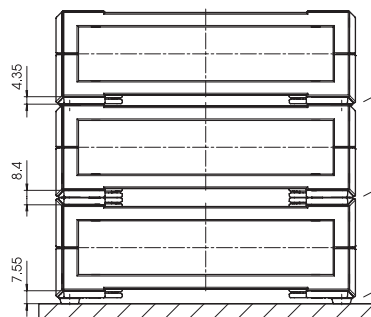
The enclosures can be firmly connected to each other:

- by screwing (screws not included in the scope of delivery)
- by ultrasonic welding together of the wall-fixing caps (carried out in the factory) and snapping on to both enclosures.

For this application, there is no need for the upper caps (included in the scope of delivery) and the rubber feet.



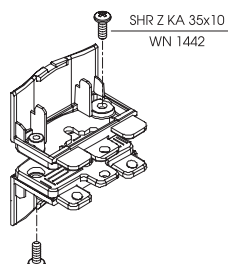
Wall mounting



Stackable (with 4 rubber feet):
on a BOTEGO which is fitted with
cap set KS 1, KS 2 or KS 3.

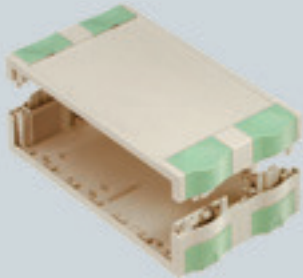
Stackable offset:
(see note)

Desktop application
(with 4 rubber feet)

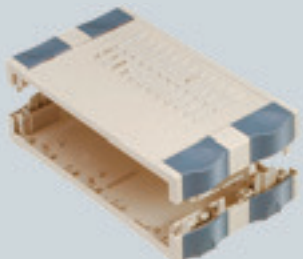




BOTEGO



BOTEGO 514..



BOTEGO 514.. (L)

3 different enclosure heights are available and can also be supplied, on request, with injection-moulded air vents in the half-shells.



Front panels
Aluminium front panels for insertion in enclosure half-shells. On request we can also supply these processed or printed.

BOTEGO BO 514.. (L)

Enclosures

Model	Order no.	W	H	D
BO 51406	68514060	240.675	49.96	136.9
BO 51406 L	68514061	240.675	49.96	136.9
BO 51409	68514090	240.675	65.20	136.9
BO 51409 L	68514091	240.675	65.20	136.9
BO 51412	68514120	240.675	80.44	136.9
BO 51412 L	68514121	240.675	80.44	136.9

L = with injection-moulded air vents in both half-shells

Scope of delivery:

2 half-shells

Note:

Details of the caps (not included in the scope of delivery) which permit individual enclosure design are given on pages 70-71.

Please also order front panels separately.

Additional accessories:

Optical elements for the special design of your BOTEGO enclosure are shown in the "BOTEGO accessories" section starting on page 84.

Front panels, aluminium, anodized, 2 mm thick

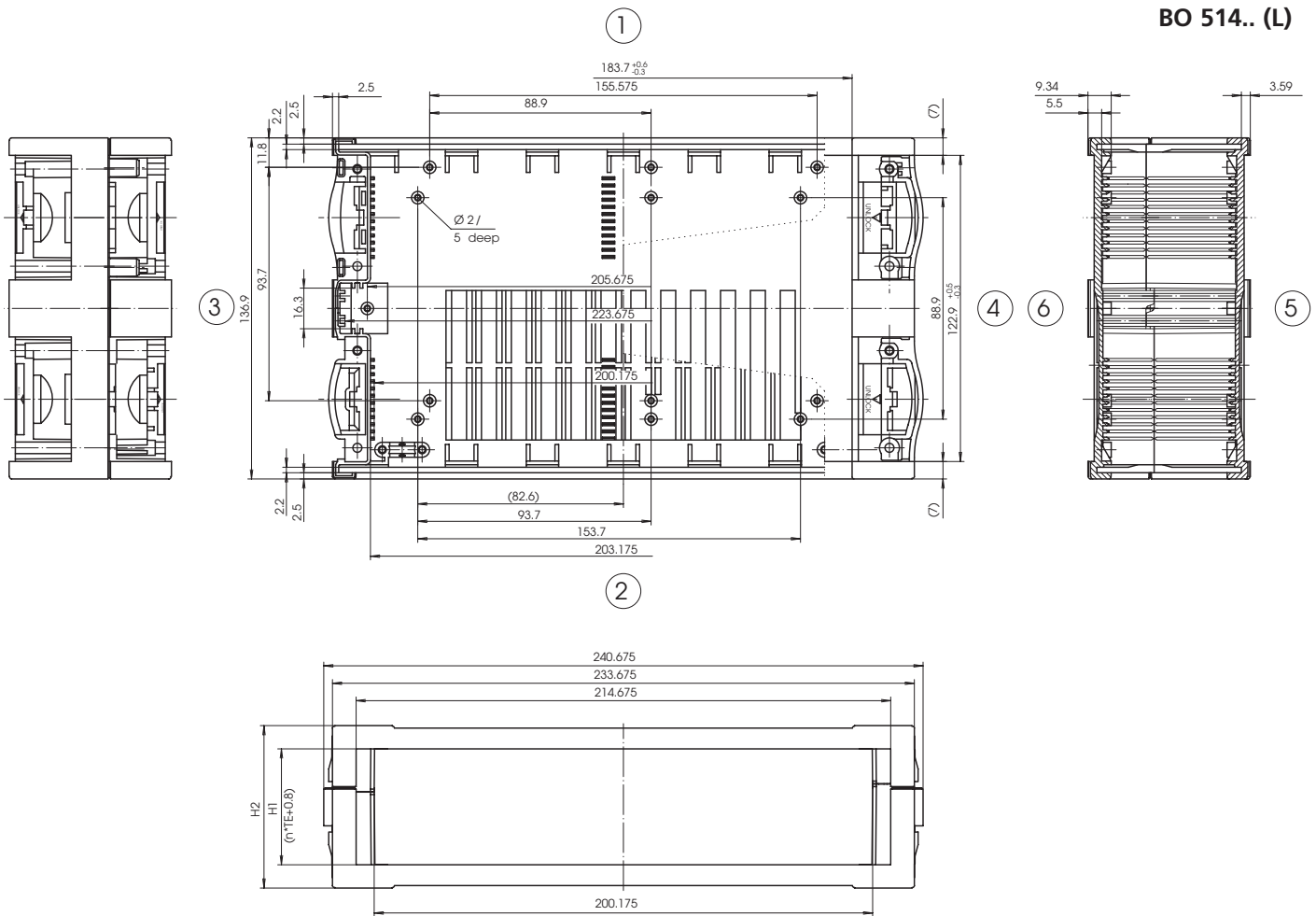
Order designation

Model	Order no.	TE	H	W	Suitable for enclosure
BO FP 50006	68711506	6	42.48	227.65	BO 51406 (L)
BO FP 50009	68711509	9	57.72	227.65	BO 51409 (L)
BO FP 50012	68711512	12	72.96	227.65	BO 51412 (L)

Note:

Front panel available in plastic on request!

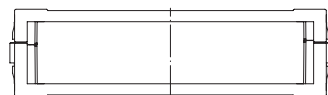
BO 514.. (L)



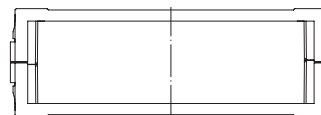
Model	H1	H2	n
BO 51406 (L)	31.28	49.96	6
BO 51409 (L)	46.52	65.20	9
BO 51412 (L)	61.76	80.44	12



BO 51406 / BO 51406 L
(half shell low/low)



BO 51409 / BO 51409 L
(half shell low/high)



BO 51412 / BO 51412 L
(half shell high/high)



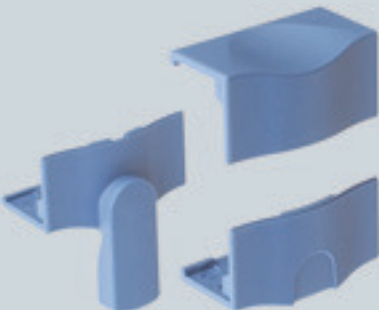
BOTEGO



Cap set 1 is designed for use with desktop enclosures.



Cap set 2 allows stacking of the enclosures and ensures good air circulation for air vent versions by increasing the distance between the enclosures.



Cap set 3 is suitable for stand-alone desktop enclosures. The collapsible feet can be used to tilt the enclosure. This permits better operation or better visibility of the front.

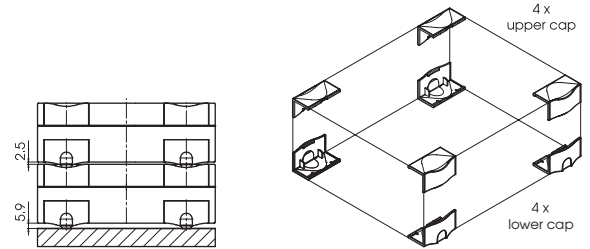
Cap set 1

Order designation

Model	Order no.	Colour
BO-KS 1-7035	68011000	● Light grey, similar to RAL 7035
BO-KS 1-6027	68012000	● Light green, similar to RAL 6027
BO-KS 1-7024	68013000	● Graphite grey, similar to RAL 7024
BO-KS 1-5014	68014000	● Dove blue, similar to RAL 5014
BO-KS 1-5002	68015000	● Ultramarine, similar to RAL 5002
BO-KS 1-I0788	68016000	● Green translucent

Scope of delivery:

4 upper caps,
4 lower caps,
4 rubber feet



Z-2802054

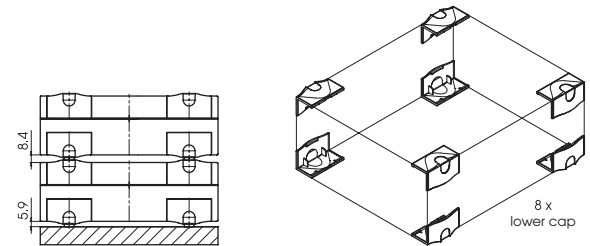
Cap set 2

Order designation

Model	Order no.	Colour
BO-KS 2-7035	68021000	● Light grey, similar to RAL 7035
BO-KS 2-6027	68022000	● Light green, similar to RAL 6027
BO-KS 2-7024	68023000	● Graphite grey, similar to RAL 7024
BO-KS 2-5014	68024000	● Dove blue, similar to RAL 5014
BO-KS 2-5002	68025000	● Ultramarine, similar to RAL 5002
BO-KS 2-I0788	68026000	● Green translucent

Scope of delivery:

8 lower caps,
4 rubber feet



Z-2802055

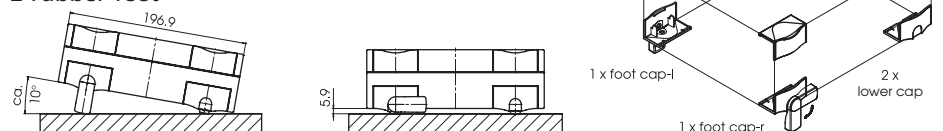
Cap set 3

Order designation

Model	Order no.	Colour
BO-KS 3-7035	68031000	● Light grey, similar to RAL 7035
BO-KS 3-6027	68032000	● Light green, similar to RAL 6027
BO-KS 3-7024	68033000	● Graphite grey, similar to RAL 7024
BO-KS 3-5014	68034000	● Dove blue, similar to RAL 5014
BO-KS 3-5002	68035000	● Ultramarine, similar to RAL 5002
BO-KS 3-I0788	68036000	● Green translucent

Scope of delivery:

4 upper caps, 2 lower caps,
2 foot caps with collapsible feet,
2 rubber feet



Z-2802056

Cap set 4

Order designation

Model	Order no.	Colour
BO-KS 4-7035	68041000	● Light grey, similar to RAL 7035
BO-KS 4-6027	68042000	● Light green, similar to RAL 6027
BO-KS 4-7024	68043000	● Graphite grey, similar to RAL 7024
BO-KS 4-5014	68044000	● Dove blue, similar to RAL 5014
BO-KS 4-5002	68045000	● Ultramarine, similar to RAL 5002
BO-KS 4-I0788	68046000	● Green translucent

Scope of delivery:

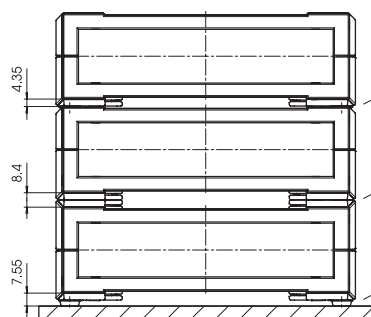
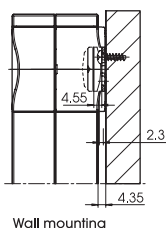
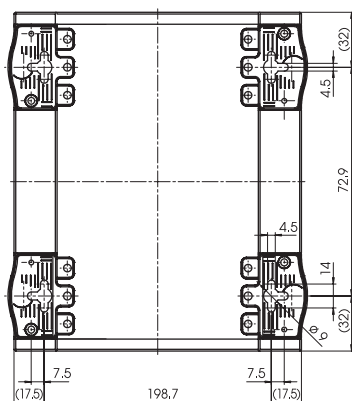
4 upper caps,
4 wall-fixing caps,
4 rubber feet

Note:

The enclosures can be firmly connected to each other:

- by screwing (screws not included in the scope of delivery)
- by ultrasonic welding together of the wall-fixing caps (carried out in the factory) and snapping on to both enclosures.

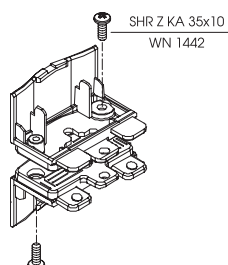
For this application, there is no need for the upper caps (included in the scope of delivery) and the rubber feet.



Stackable (with 4 rubber feet):
on a BOTEGO which is fitted with
cap set KS 1, KS 2 or KS 3.

Stackable offset:
(see note)

Desktop application
(with 4 rubber feet)



Cap set 4 is used to fit the BOTEGO enclosure to the wall. Further examples of use, such as stackability or cascading, can be found in the information texts in the illustration.



BOTEGO



BOTEGO 520..



BOTEGO 520.. (L)

The BOTEGO enclosure BO 520.. offers 3 different enclosure basic heights. On request, these are also available with injection-moulded air vents in the half-shells (model BO 520..L).

The appropriate enclosure height can be expanded in combination with extension set AB 02009 (L) in accordance with the selection table on the right.

The enclosure set is closed, and also available with ventilation (L). Details of the front panels to be used for the different enclosure heights are also given in the table.

BOTEGO BO 520.. (L)

Enclosures

Model	Order no.	W	H	D
BO 52006	68520060	240.675	49.96	196.9
BO 52006 L	68520061	240.675	49.96	196.9
BO 52009	68520090	240.675	65.20	196.9
BO 52009 L	68520091	240.675	65.20	196.9
BO 52012	68520120	240.675	80.44	196.9
BO 52012 L	68520121	240.675	80.44	196.9

L = with injection-moulded air vents in both air vents

Scope of delivery:

2 half shells

Note:

Details of the caps (not included in the scope of delivery) which permit individual enclosure design are shown on pages 76-77.

Please also order front panels separately.

Additional accessories:

Optical elements for the special design of your BOTEGO enclosure are shown in the "BOTEGO accessories" section starting on page 84.

Table of enclosures, extension set AB 02009 (L) and front panel

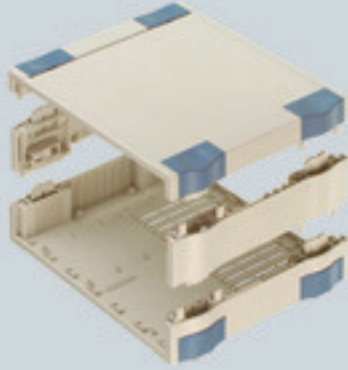
Enclosures	Internal encl. height clearance (H1)		Number of AB 02009 (L)	Front panels to be used
	TE			
BO 52006 (L)	31.28	6	–	BO FP 50006
BO 52009 (L)	46.52	9	–	BO FP 50009
BO 52012 (L)	61.76	12	–	BO FP 50012
BO 52006 (L)	77.00	15	1	BO FP 50015
BO 52009 (L)	92.24	18	1	BO FP 50018
BO 52012 (L)	107.48	21	1	BO FP 50021
BO 52006 (L)	122.72	24	2	BO FP 50024
BO 52009 (L)	137.96	27	2	BO FP 50027
BO 52012 (L)	153.20	30	2	BO FP 50030
BO 52006 (L)	168.44	33	3	BO FP 50033
BO 52009 (L)	183.68	36	3	BO FP 50036
BO 52012 (L)	198.92	39	3	BO FP 50039
BO 52006 (L)	214.16	42	4	BO FP 50042
BO 52009 (L)	229.40	45	4	BO FP 50045
BO 52012 (L)	244.64	48	4	BO FP 50048

Note:

The order numbers for the extension sets and front panels are shown on page 74.



BOTEGO



Extension set AB 02009 (L)
 This extension set can be used to expand the BOTEGO enclosures between the half-shells by n x 9 TE. The extension set is closed, and is also available with ventilation (L).



Front panels
 Aluminium front panels for insertion in enclosure half-shells. On request we can also supply these processed or printed.

Extension set AB 02009 (L) for BOTEGO BO 520.. (L)

Order designation

Model	Order no.	Design	Colour
BO AB 02009-7035	68200910		● Light grey, sim. to RAL 7035
BO AB 02009 L-7035	68200911	with vent.	● Light grey, sim. to RAL 7035

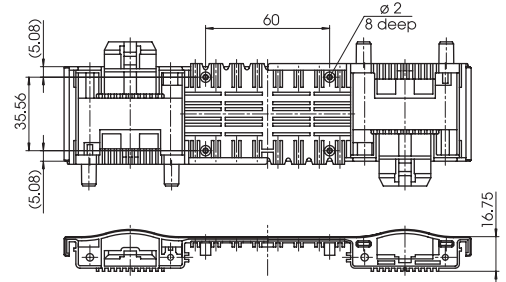
Order designation for different colours (for orders of 500+)

Model	Order no.	Design	Colour
BO AB 02009-6027	68200920		● Light green, sim. to RAL 6027
BO AB 02009-7024	68200930		● Graphite grey, sim. to RAL 7024
BO AB 02009-5014	68200940		● Dove blue, sim. to RAL 5014
BO AB 02009-5002	68200950		● Ultramarine, sim. to RAL 5002
BO AB 02009-I0788	68200960		● Green translucent
BO AB 02009 L-6027	68200921	with vent.	● Light green, sim. to RAL 6027
BO AB 02009 L-7024	68200931	with vent.	● Graphite grey, sim. to RAL 7024
BO AB 02009 L-5014	68200941	with vent.	● Dove blue, sim. to RAL 5014
BO AB 02009 L-5002	68200951	with vent.	● Ultramarine, sim. to RAL 5002
BO AB 02009 L-I0788	68200961	with vent.	● Green translucent

Scope of delivery:

2 extension parts

Selection table, see page 72.



Z-2802028

Front panels, aluminium, anodized, 2 mm thick

Order designation

Model	Order no.	TE	H	W
BO FP 50006	68711506	6	42.48	227.65
BO FP 50009	68711509	9	57.72	227.65
BO FP 50012	68711512	12	72.96	227.65
BO FP 50015	68711515	15	88.20	227.65
BO FP 50018	68711518	18	103.44	227.65
BO FP 50021	68711521	21	118.68	227.65
BO FP 50024	68711524	24	133.92	227.65
BO FP 50027	68711527	27	149.16	227.65
BO FP 50030	68711530	30	164.40	227.65
BO FP 50033	68711533	33	179.64	227.65
BO FP 50036	68711536	36	194.88	227.65
BO FP 50039	68711539	39	210.12	227.65
BO FP 50042	68711542	42	225.36	227.65
BO FP 50045	68711545	45	240.60	227.65
BO FP 50048	68711548	48	255.84	227.65

Note:

The front panels to be used depend on the extension sets used. Please see the selection table on page 72.

Front panel available in plastic on request!

Angled operating front

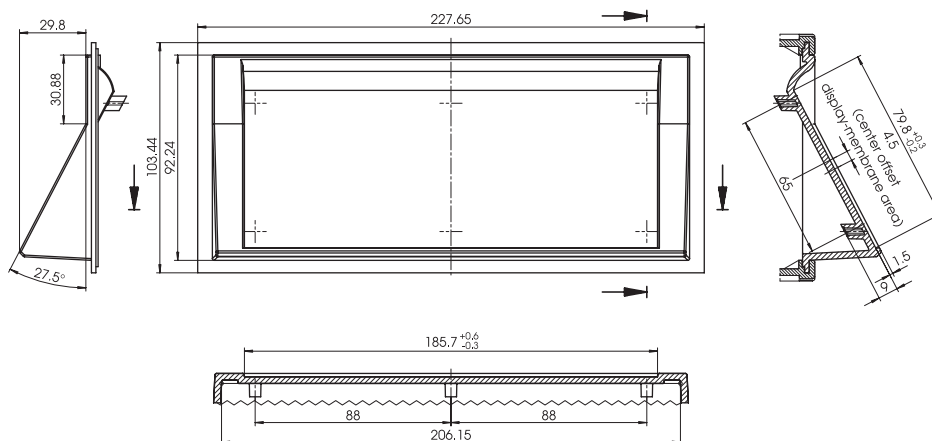
Order designation

Model	Order no.	TE	H	W
BO SF-5 001800	68018005	18	103.44	227.65

Scope of delivery:
1 operating front

Note:

If additional processing takes place, the operating front, in combination with an aluminium front panel and additional extension sets, can also be used with different enclosure heights. We will be pleased to carry out the necessary processing work for you.



BO SF-5 001800

The operating front can be used in combination with enclosure BO 52009 (L) and extension set AB 02009 (L).

The dimensions of the membrane keypad area which is 1.5 mm deeper are 185.7 x 79.8 mm.



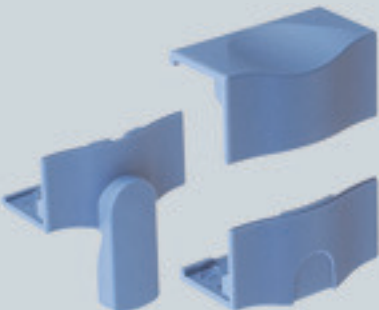
BOTEGO



Cap set 1 is designed for use with desktop enclosures.



Cap set 2 allows stacking of the enclosures and ensures good air circulation for air vent versions by increasing the distance between the enclosures.



Cap set 3 is suitable for stand-alone desktop enclosures. The collapsible feet can be used to tilt the enclosure. This permits better operation or better visibility of the front.

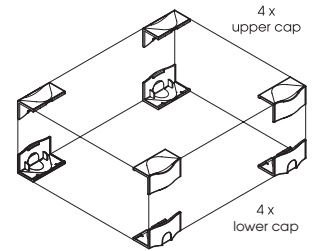
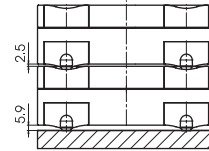
Cap set 1

Order designation

Model	Order no.	Colour
BO-KS 1-7035	68011000	● Light grey, similar to RAL 7035
BO-KS 1-6027	68012000	● Light green, similar to RAL 6027
BO-KS 1-7024	68013000	● Graphite grey, similar to RAL 7024
BO-KS 1-5014	68014000	● Dove blue, similar to RAL 5014
BO-KS 1-5002	68015000	● Ultramarine, similar to RAL 5002
BO-KS 1-I0788	68016000	● Green translucent

Scope of delivery:

4 upper caps,
4 lower caps,
4 rubber feet



Z-2802054

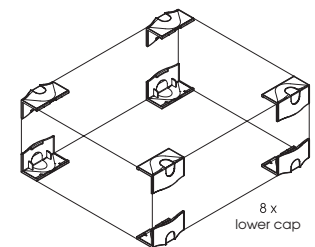
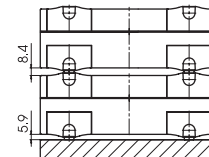
Cap set 2

Order designation

Model	Order no.	Colour
BO-KS 2-7035	68021000	● Light grey, similar to RAL 7035
BO-KS 2-6027	68022000	● Light green, similar to RAL 6027
BO-KS 2-7024	68023000	● Graphite grey, similar to RAL 7024
BO-KS 2-5014	68024000	● Dove blue, similar to RAL 5014
BO-KS 2-5002	68025000	● Ultramarine, similar to RAL 5002
BO-KS 2-I0788	68026000	● Green translucent

Scope of delivery:

8 lower caps,
4 rubber feet



Z-2802055

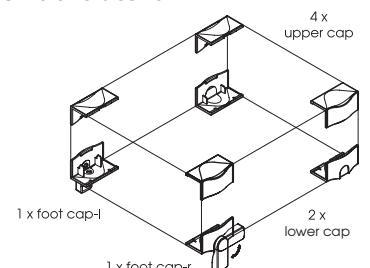
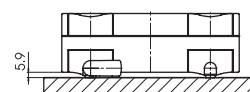
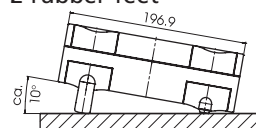
Cap set 3

Order designation

Model	Order no.	Colour
BO-KS 3-7035	68031000	● Light grey, similar to RAL 7035
BO-KS 3-6027	68032000	● Light green, similar to RAL 6027
BO-KS 3-7024	68033000	● Graphite grey, similar to RAL 7024
BO-KS 3-5014	68034000	● Dove blue, similar to RAL 5014
BO-KS 3-5002	68035000	● Ultramarine, similar to RAL 5002
BO-KS 3-I0788	68036000	● Green translucent

Scope of delivery:

4 upper caps, 2 lower caps,
2 foot caps with collapsible feet,
2 rubber feet



Z-2802056

Cap set 4

Order designation

Model	Order no.	Colour
BO-KS 4-7035	68041000	● Light grey, similar to RAL 7035
BO-KS 4-6027	68042000	● Light green, similar to RAL 6027
BO-KS 4-7024	68043000	● Graphite grey, similar to RAL 7024
BO-KS 4-5014	68044000	● Dove blue, similar to RAL 5014
BO-KS 4-5002	68045000	● Ultramarine, similar to RAL 5002
BO-KS 4-I0788	68046000	● Green translucent

Scope of delivery:

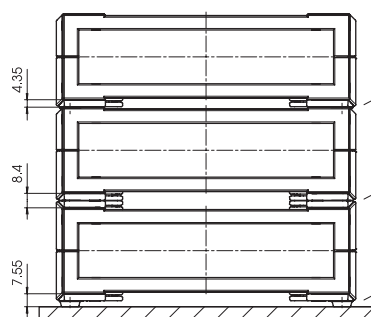
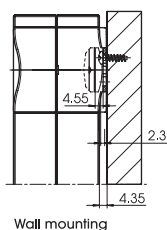
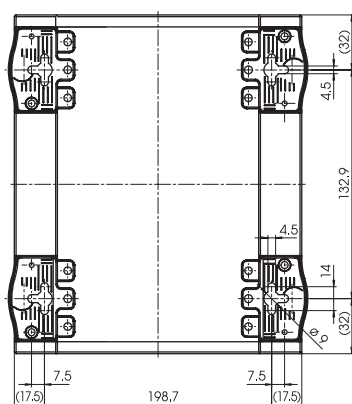
4 upper caps,
4 wall-fixing caps,
4 rubber feet

Note:

The enclosures can be firmly connected to each other:

- by screwing (screws not included in the scope of delivery)
- by ultrasonic welding together of the wall-fixing caps (carried out in the factory) and snapping on to both enclosures.

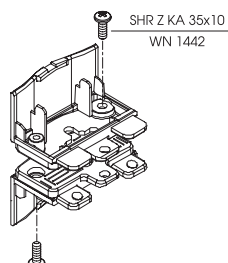
For this application, there is no need for the upper caps (included in the scope of delivery) and the rubber feet.



Stackable (with 4 rubber feet):
on a BOTEGO which is fitted with
cap set KS 1, KS 2 or KS 3.

Stackable offset:
(see note)

Desktop application
(with 4 rubber feet)



Cap set 4 is used to fit the BOTEGO enclosure to the wall. Further examples of use, such as stackability or cascading, can be found in the information texts in the illustration.



BOTEGO

BOTEGO BO 626.. (L)

Enclosures

Model	Order no.	W	H	D
BO 62606	68626060	307.35	49.96	256.9
BO 62606 L	68626061	307.35	49.96	256.9
BO 62609	68626090	307.35	65.20	256.9
BO 62609 L	68626091	307.35	65.20	256.9
BO 62612	68626120	307.35	80.44	256.9
BO 62612 L	68626121	307.35	80.44	256.9

L = with injection-moulded air vents in both half-shells

Scope of delivery:

2 half-shells

Note:

The caps (not included in the scope of delivery), which allow individual enclosure design, are shown on pages 82-83.

Please also order the front panels separately.

Additional accessories:

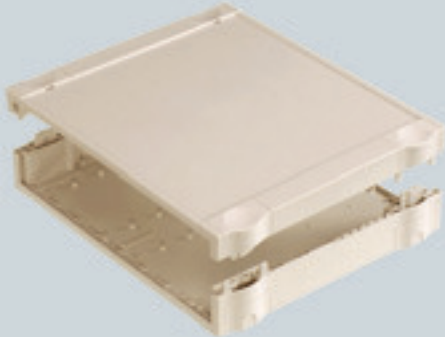
Optical elements for the special design of your BOTEGO enclosure are shown in the "BOTEGO accessories" section starting on page 84.

Table of enclosures, extension set AB 02609 (L) and front panel

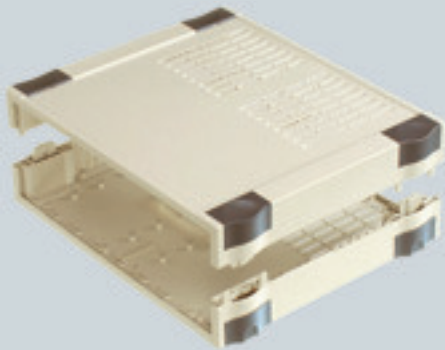
Enclosures	Internal encl. height clearance (H1)		Number of AB 02609 (L)	Front panels to be used
	TE			
BO 62606 (L)	31.28	6	–	BO FP 60006
BO 62609 (L)	46.52	9	–	BO FP 60009
BO 62612 (L)	61.76	12	–	BO FP 60012
BO 62606 (L)	77.00	15	1	BO FP 60015
BO 62609 (L)	92.24	18	1	BO FP 60018
BO 62612 (L)	107.48	21	1	BO FP 60021
BO 62606 (L)	122.72	24	2	BO FP 60024
BO 62609 (L)	137.96	27	2	BO FP 60027
BO 62612 (L)	153.20	30	2	BO FP 60030
BO 62606 (L)	168.44	33	3	BO FP 60033
BO 62609 (L)	183.68	36	3	BO FP 60036
BO 62612 (L)	198.92	39	3	BO FP 60039
BO 62606 (L)	214.16	42	4	BO FP 60042
BO 62609 (L)	229.40	45	4	BO FP 60045
BO 62612 (L)	244.64	48	4	BO FP 60048

Note:

The order numbers for the extension sets and front panels are shown on page 80.



BOTEGO 626..



BOTEGO 626.. (L)

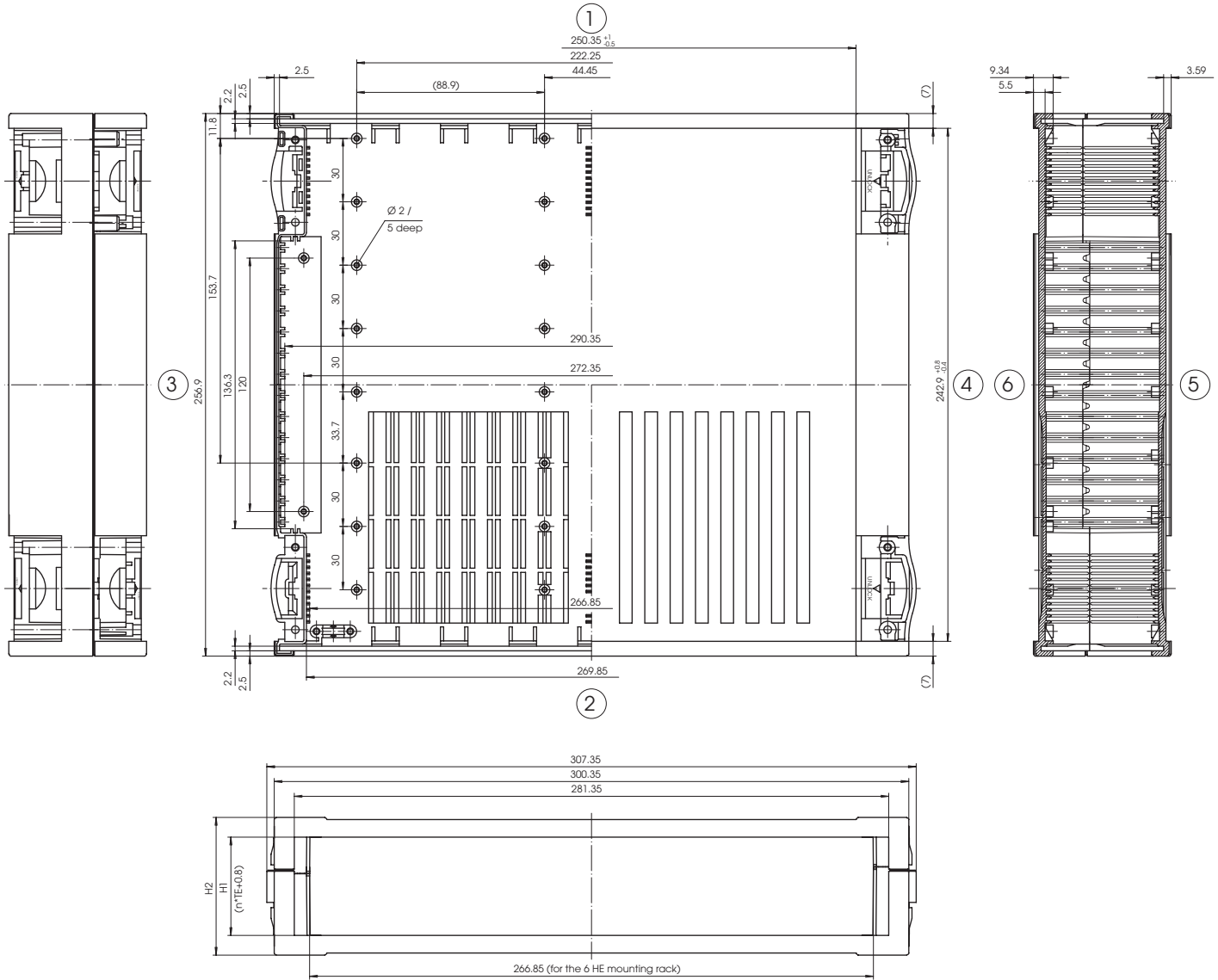
The BOTEGO enclosure BO 626.. offers 3 different enclosure basic heights. On request, these are also available with injection-moulded air vents in the half-shells (model BO 626..L).

The appropriate enclosure height can be expanded in combination with extension set AB 02609 (L) in accordance with the selection table on the right.

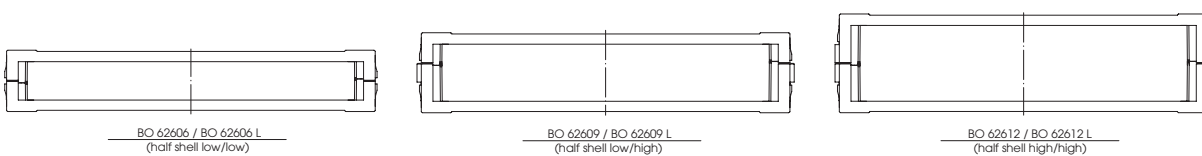
The enclosure set is closed, and also available with ventilation (L).

Details of the front panels to be used for the different enclosure heights are also given in the table.

BO 626.. (L)

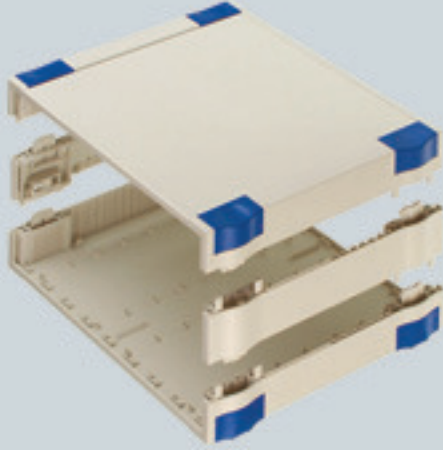


Model	H1	H2	n
BO 62606 (L)	31.28	49.96	6
BO 62609 (L)	46.52	65.20	9
BO 62612 (L)	61.76	80.44	12



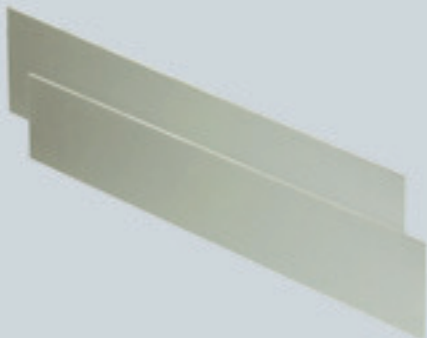


BOTEGO



Extension set AB 02609 (L)

This extension set can be used to expand the BOTEGO enclosures between the half-shells by n x 9 TE. The extension set is closed, and is also available with ventilation (L).



Front panels

Aluminium front panels for insertion in enclosure half-shells. On request we can also supply these processed or printed.

Extension set AB 02609 (L) for BOTEGO BO 626.. (L)

Order designation

Model	Order no.	Design	Colour
BO AB 02609-7035	68260910		● Light grey, sim. to RAL 7035
BO AB 02609 L-7035	68260911	with vent.	● Light grey, sim. to RAL 7035

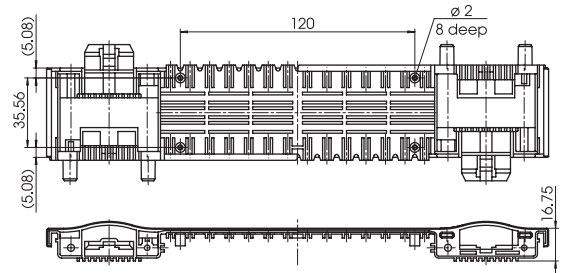
Order designation for different colours (for orders of 500+)

Model	Order no.	Design	Colour
BO AB 02609-6027	68260920		● Light green, sim. to RAL 6027
BO AB 02609-7024	68260930		● Graphite grey, sim. to RAL 7024
BO AB 02609-5014	68260940		● Dove blue, sim. to RAL 5014
BO AB 02609-5002	68260950		● Ultramarine, sim. to RAL 5002
BO AB 02609-I0788	68260960		● Green translucent
BO AB 02609 L-6027	68260921	with vent.	● Light green, sim. to RAL 6027
BO AB 02609 L-7024	68260931	with vent.	● Graphite grey, sim. to RAL 7024
BO AB 02609 L-5014	68260941	with vent.	● Dove blue, sim. to RAL 5014
BO AB 02609 L-5002	68260951	with vent.	● Ultramarine, sim. to RAL 5002
BO AB 02609 L-I0788	68260961	with vent.	● Green translucent

Scope of delivery:

2 extension parts

Selection table, see page 78.



Z-2802029

Front panels, aluminium, anodized, 2 mm thick

Order designation

Model	Order no.	TE	H	W
BO FP 60006	68711606	6	42.48	294.35
BO FP 60009	68711609	9	57.72	294.35
BO FP 60012	68711612	12	72.96	294.35
BO FP 60015	68711615	15	88.20	294.35
BO FP 60018	68711618	18	103.44	294.35
BO FP 60021	68711621	21	118.68	294.35
BO FP 60024	68711624	24	133.92	294.35
BO FP 60027	68711627	27	149.16	294.35
BO FP 60030	68711630	30	164.40	294.35
BO FP 60033	68711633	33	179.64	294.35
BO FP 60036	68711636	36	194.88	294.35
BO FP 60039	68711639	39	210.12	294.35
BO FP 60042	68711642	42	225.36	294.35
BO FP 60045	68711645	45	240.60	294.35
BO FP 60048	68711648	48	255.84	294.35

Note:

The front panels to be used depend on the extension sets used. Please see the selection table on page 78.

Front panel available in plastic on request!

Angled operating front

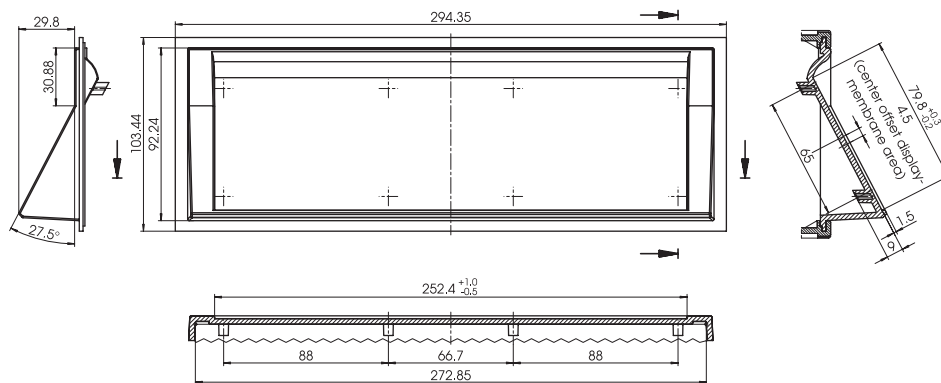
Order designation

Model	Order no.	TE	H	W
BO SF-6 001800	68018006	18	103.44	294.35

Scope of delivery:
1 operating front

Note:

If additional processing takes place, the operating front, in combination with an aluminium front panel and additional extension sets, can also be used with different enclosure heights. We will be pleased to carry out the necessary processing work for you.



BO SF-6 001800

The operating front can be used in combination with enclosure BO 62009 (L) and extension set AB 02609 (L).

The dimensions of the membrane keypad area which is 1.5 mm deeper are 252.4 x 79.8 mm.



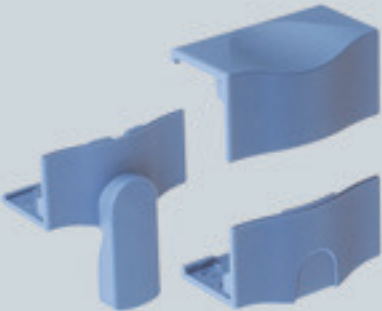
BOTEGO



Cap set 1 is designed for use with desktop enclosures.



Cap set 2 allows stacking of the enclosures and ensures good air circulation for air vent versions by increasing the distance between the enclosures.



Cap set 3 is suitable for stand-alone desktop enclosures. The collapsible feet can be used to tilt the enclosure. This permits better operation or better visibility of the front.

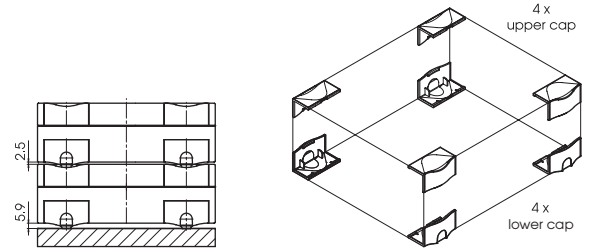
Cap set 1

Order designation

Model	Order no.	Colour
BO-KS 1-7035	68011000	● Light grey, similar to RAL 7035
BO-KS 1-6027	68012000	● Light green, similar to RAL 6027
BO-KS 1-7024	68013000	● Graphite grey, similar to RAL 7024
BO-KS 1-5014	68014000	● Dove blue, similar to RAL 5014
BO-KS 1-5002	68015000	● Ultramarine, similar to RAL 5002
BO-KS 1-I0788	68016000	● Green translucent

Scope of delivery:

4 upper caps,
4 lower caps,
4 rubber feet



Z-2802054

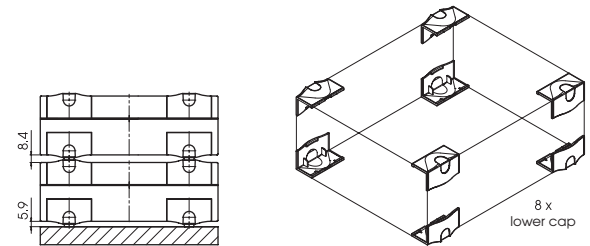
Cap set 2

Order designation

Model	Order no.	Colour
BO-KS 2-7035	68021000	● Light grey, similar to RAL 7035
BO-KS 2-6027	68022000	● Light green, similar to RAL 6027
BO-KS 2-7024	68023000	● Graphite grey, similar to RAL 7024
BO-KS 2-5014	68024000	● Dove blue, similar to RAL 5014
BO-KS 2-5002	68025000	● Ultramarine, similar to RAL 5002
BO-KS 2-I0788	68026000	● Green translucent

Scope of delivery:

8 lower caps,
4 rubber feet



Z-2802055

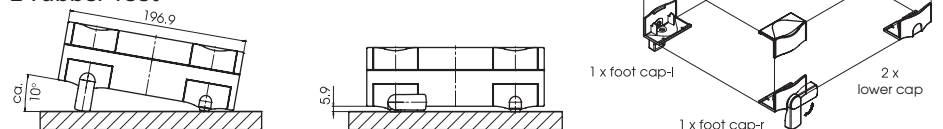
Cap set 3

Order designation

Model	Order no.	Colour
BO-KS 3-7035	68031000	● Light grey, similar to RAL 7035
BO-KS 3-6027	68032000	● Light green, similar to RAL 6027
BO-KS 3-7024	68033000	● Graphite grey, similar to RAL 7024
BO-KS 3-5014	68034000	● Dove blue, similar to RAL 5014
BO-KS 3-5002	68035000	● Ultramarine, similar to RAL 5002
BO-KS 3-I0788	68036000	● Green translucent

Scope of delivery:

4 upper caps, 2 lower caps,
2 foot caps with collapsible feet,
2 rubber feet



Z-2802056

Cap set 4

Order designation

Model	Order no.	Colour
BO-KS 4-7035	68041000	● Light grey, similar to RAL 7035
BO-KS 4-6027	68042000	● Light green, similar to RAL 6027
BO-KS 4-7024	68043000	● Graphite grey, similar to RAL 7024
BO-KS 4-5014	68044000	● Dove blue, similar to RAL 5014
BO-KS 4-5002	68045000	● Ultramarine, similar to RAL 5002
BO-KS 4-I0788	68046000	● Green translucent

Scope of delivery:

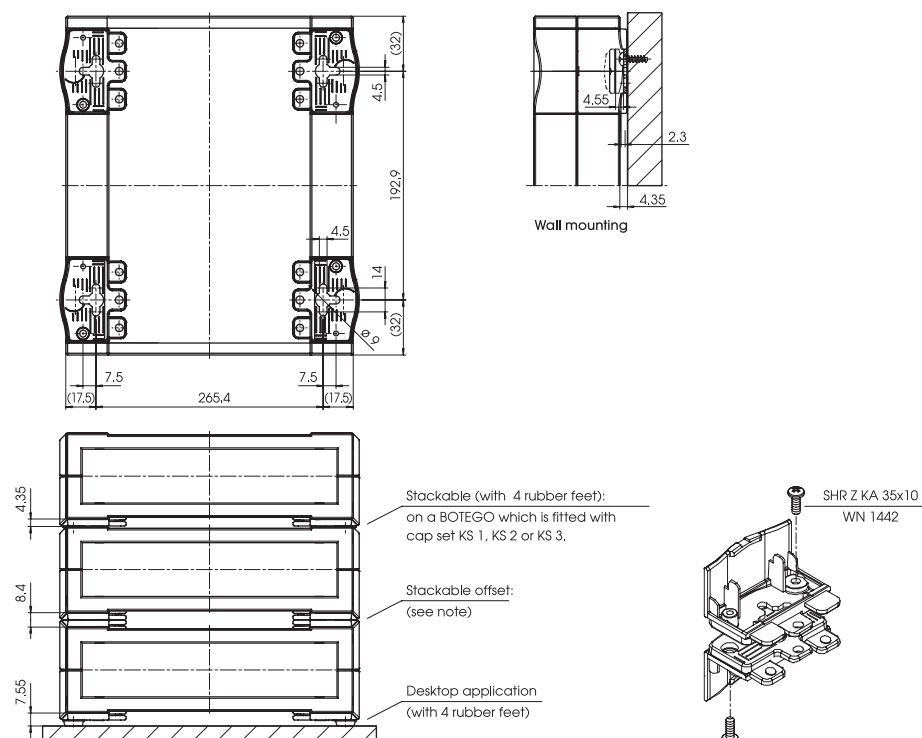
4 upper caps,
4 wall-fixing caps,
4 rubber feet

Note:

The enclosures can be firmly connected to each other:

- by screwing (screws not included in the scope of delivery)
- by ultrasonic welding together of the wall-fixing caps (carried out in the factory) and snapping on to both enclosures.

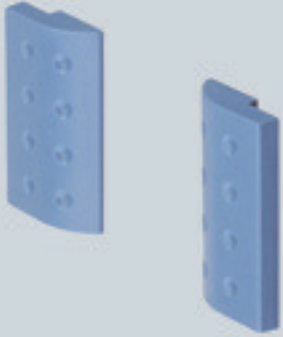
For this application, there is no need for the upper caps (included in the scope of delivery) and the rubber feet.



Cap set 4 is used to fit the BOTEGO enclosure to the wall. Further examples of use, such as stackability or cascability, can be found in the information texts in the illustration.



BOTEGO accessories



Design element set 1

By using design element set 1 you can create an individual design for the front or rear section of your BOTEGO enclosure. 6 different colours give your enclosure that special, individual touch.

This design element can be used for all BOTEGO enclosures with a height of 9 TE.

Matching front panels are shown on the relevant enclosure pages. We will be happy to carry out for you the processing of the front panel which is necessary for the mounting of the design element.

Note

Other heights available on request!

Design element set 1

Order designation

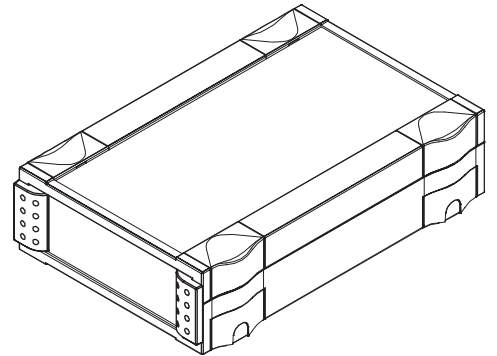
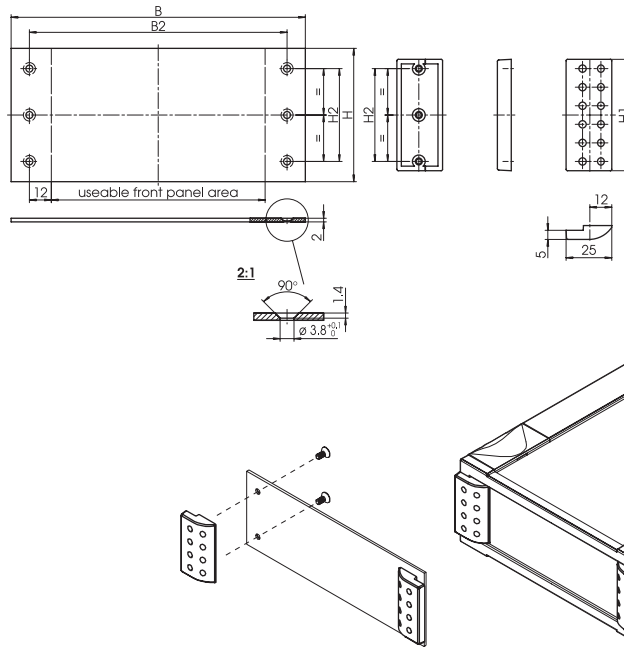
Model	Order no.	Colour	Suitable for front panel
BO D1-9 TE-7035	68110910	● Light grey, sim. to RAL 7035	BO FP..09
BO D1-9 TE-6027	68110920	● Light green, sim. to RAL 6027	BO FP..09
BO D1-9 TE-7024	68110930	● Graphite grey, sim. to RAL 7024	BO FP..09
BO D1-9 TE-5014	68110940	● Dove blue, sim. to RAL 5014	BO FP..09
BO D1-9 TE-5002	68110950	● Ultramarine, sim. to RAL 5002	BO FP..09
BO D1-9 TE-10788	68110960	● Green translucent	BO FP..09

Model	H	H1	H2	n	Front panels	B	B2
BO D1-9TE	57.72	45.72	35.56	2	BO FP 300..	161.00	141.00
					BO FP 500..	227.65	207.65
					BO FP 600..	294.35	274.35

n = number of screwing domes

Scope of delivery:

2 design elements,
Fixing material



Design element set 2

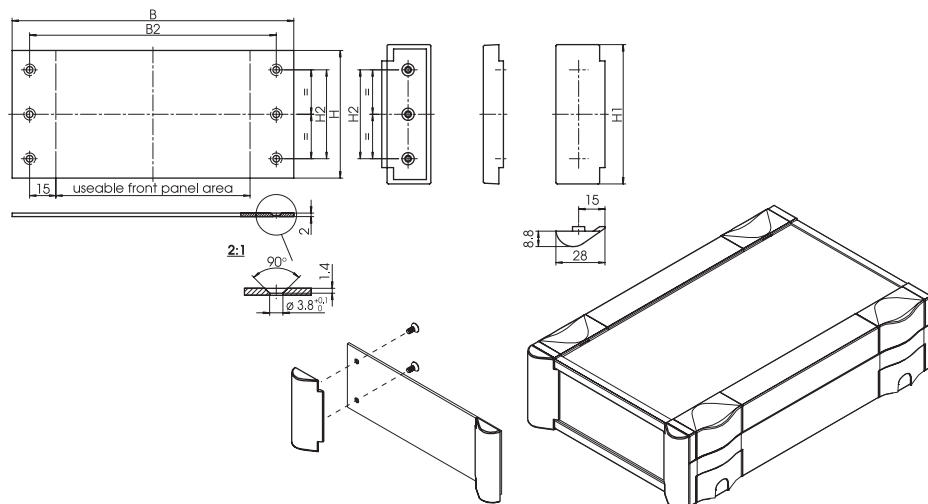
Order designation			Suitable for
Model	Order no.	Colour	front panel
BO D2-6 TE-7035	68120610	● Light grey, sim. to RAL 7035	BO FP...06
BO D2-6 TE-6027	68120620	● Light green, sim. to RAL 6027	BO FP...06
BO D2-6 TE-7024	68120630	● Graphite grey, sim. to RAL 7024	BO FP...06
BO D2-6 TE-5014	68120640	● Dove blue, sim. to RAL 5014	BO FP...06
BO D2-6 TE-5002	68120650	● Ultramarine, sim. to RAL 5002	BO FP...06
BO D2-6 TE-I0788	68120660	● Green translucent	BO FP...06
BO D2-9 TE-7035	68120910	● Light grey, sim. to RAL 7035	BO FP...09
BO D2-9 TE-6027	68120920	● Light green, sim. to RAL 6027	BO FP...09
BO D2-9 TE-7024	68120930	● Graphite grey, sim. to RAL 7024	BO FP...09
BO D2-9 TE-5014	68120940	● Dove blue, sim. to RAL 5014	BO FP...09
BO D2-9 TE-5002	68120950	● Ultramarine, sim. to RAL 5002	BO FP...09
BO D2-9 TE-I0788	68120960	● Green translucent	BO FP...09
BO D2-12 TE-7035	68121210	● Light grey, sim. to RAL 7035	BO FP...12
BO D2-12 TE-6027	68121220	● Light green, sim. to RAL 6027	BO FP...12
BO D2-12 TE-7024	68121230	● Graphite grey, sim. to RAL 7024	BO FP...12
BO D2-12 TE-5014	68121240	● Dove blue, sim. to RAL 5014	BO FP...12
BO D2-12 TE-5002	68121250	● Ultramarine, sim. to RAL 5002	BO FP...12
BO D2-12 TE-I0788	68121260	● Green translucent	BO FP...12
BO D2-15 TE-7035	68121510	● Light grey, sim. to RAL 7035	BO FP...15
BO D2-15 TE-6027	68121520	● Light green, sim. to RAL 6027	BO FP...15
BO D2-15 TE-7024	68121530	● Graphite grey, sim. to RAL 7024	BO FP...15
BO D2-15 TE-5014	68121540	● Dove blue, sim. to RAL 5014	BO FP...15
BO D2-15 TE-5002	68121550	● Ultramarine, sim. to RAL 5002	BO FP...15
BO D2-15 TE-I0788	68121560	● Green translucent	BO FP...15
BO D2-18 TE-7035	68121810	● Light grey, sim. to RAL 7035	BO FP...18
BO D2-18 TE-6027	68121820	● Light green, sim. to RAL 6027	BO FP...18
BO D2-18 TE-7024	68121830	● Graphite grey, sim. to RAL 7024	BO FP...18
BO D2-18 TE-5014	68121840	● Dove blue, sim. to RAL 5014	BO FP...18
BO D2-18 TE-5002	68121850	● Ultramarine, sim. to RAL 5002	BO FP...18
BO D2-18 TE-I0788	68121860	● Green translucent	BO FP...18

Model	H	H1	H2	n
BO D2-6TE	42.48	49.16	0	1
BO D2-9TE	57.72	64.40	35.56	2
BO D2-12TE	72.96	79.64	50.80	2
BO D2-15TE	88.20	94.88	66.04	2
BO D2-18TE	103.44	110.12	81.28	2

n = number of screwing domes
with n = 1, the dome is in the centre

Front panels	B	B2
BO FP 300..	161.00	141.00
BO FP 500..	227.65	207.65
BO FP 600..	294.35	274.35

Scope of delivery:
2 design elements,
fixing material



Design element set 2

By using design element set 2 you can create an individual design for the front or rear section of your BOTEGO enclosure. 6 different colours give your enclosure that special, individual touch. This design element is available in heights 6, 9, 12, 15 and 18 TE.

Matching front panels are shown on the relevant enclosure pages. We will be happy to carry out for you the processing of the front panel which is necessary for the mounting of the design element.

If the unit is used as a mobile enclosure, this design element can be used as a supporting foot for vertical use of the enclosure. The construction elements (switches, push-buttons, etc.) with a maximum height of 10 mm are not touched or activated when the unit is put down.

Note

Other heights available on request!



BOTEGO accessories

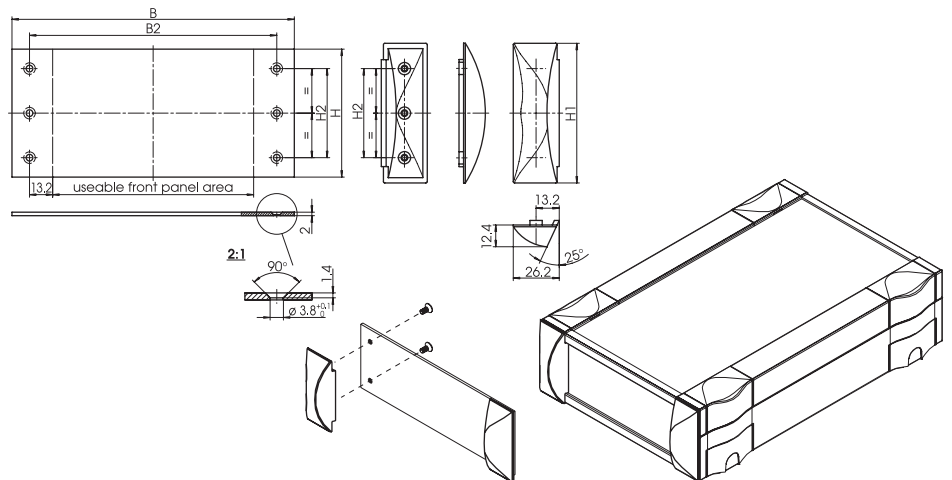
Design element set 3

Order designation			Suitable for
Model	Order no.	Colour	front panel
BO D3-6 TE-7035	68130610	● Light grey, sim. to RAL 7035	BO FP..06
BO D3-6 TE-6027	68130620	● Light green, sim. to RAL 6027	BO FP..06
BO D3-6 TE-7024	68130630	● Graphite grey, sim. to RAL 7024	BO FP..06
BO D3-6 TE-5014	68130640	● Dove blue, sim. to RAL 5014	BO FP..06
BO D3-6 TE-5002	68130650	● Ultramarine, sim. to RAL 5002	BO FP..06
BO D3-6 TE-10788	68130660	● Green translucent	BO FP..06
BO D3-9 TE-7035	68130910	● Light grey, sim. to RAL 7035	BO FP..09
BO D3-9 TE-6027	68130920	● Light green, sim. to RAL 6027	BO FP..09
BO D3-9 TE-7024	68130930	● Graphite grey, sim. to RAL 7024	BO FP..09
BO D3-9 TE-5014	68130940	● Dove blue, sim. to RAL 5014	BO FP..09
BO D3-9 TE-5002	68130950	● Ultramarine, sim. to RAL 5002	BO FP..09
BO D3-9 TE-10788	68130960	● Green translucent	BO FP..09
BO D3-12 TE-7035	68131210	● Light grey, sim. to RAL 7035	BO FP..12
BO D3-12 TE-6027	68131220	● Light green, sim. to RAL 6027	BO FP..12
BO D3-12 TE-7024	68131230	● Graphite grey, sim. to RAL 7024	BO FP..12
BO D3-12 TE-5014	68131240	● Dove blue, sim. to RAL 5014	BO FP..12
BO D3-12 TE-5002	68131250	● Ultramarine, sim. to RAL 5002	BO FP..12
BO D3-12 TE-10788	68131260	● Green translucent	BO FP..12
BO D3-15 TE-7035	68131510	● Light grey, sim. to RAL 7035	BO FP..15
BO D3-15 TE-6027	68131520	● Light green, sim. to RAL 6027	BO FP..15
BO D3-15 TE-7024	68131530	● Graphite grey, sim. to RAL 7024	BO FP..15
BO D3-15 TE-5014	68131540	● Dove blue, sim. to RAL 5014	BO FP..15
BO D3-15 TE-5002	68131550	● Ultramarine, sim. to RAL 5002	BO FP..15
BO D3-15 TE-10788	68131560	● Green translucent	BO FP..15
BO D3-18 TE-7035	68131810	● Light grey, sim. to RAL 7035	BO FP..18
BO D3-18 TE-6027	68131820	● Light green, sim. to RAL 6027	BO FP..18
BO D3-18 TE-7024	68131830	● Graphite grey, sim. to RAL 7024	BO FP..18
BO D3-18 TE-5014	68131840	● Dove blue, sim. to RAL 5014	BO FP..18
BO D3-18 TE-5002	68131850	● Ultramarine, sim. to RAL 5002	BO FP..18
BO D3-18 TE-10788	68131860	● Green translucent	BO FP..18

Model	H	H1	H2	n	Front panels	B	B2
BO D3-6TE	42.48	49.16	0.00	1	BO FP 300..	161.00	141.00
BO D3-9TE	57.72	64.40	35.56	2	BO FP 500..	227.65	207.65
BO D3-12TE	72.96	79.64	50.80	2	BO FP 600..	294.35	274.35
BO D3-15TE	88.20	94.88	66.04	2			
BO D3-18TE	103.44	110.12	81.28	2			
BO D3-27TE	149.16	155.84	111.76	3			

Scope of delivery:
2 design elements,
fixing material

n = number of screwing domes
with n = 1, the dome is in the centre



Z-2802026



Design element set 3

By using design element set 3 you can create an individual design for the front or rear section of your BOTEGO enclosure. 6 different colours give your enclosure that special, individual touch. This design element is available in heights 6, 9, 12, 15 and 18 TE.

Matching front panels are shown on the relevant enclosure pages. We will be happy to carry out for you the processing of the front panel which is necessary for the mounting of the design element.

Note

Design element set 3 is also available in 27 TE in all 6 colours. For orders of 500+. Other heights available on request!

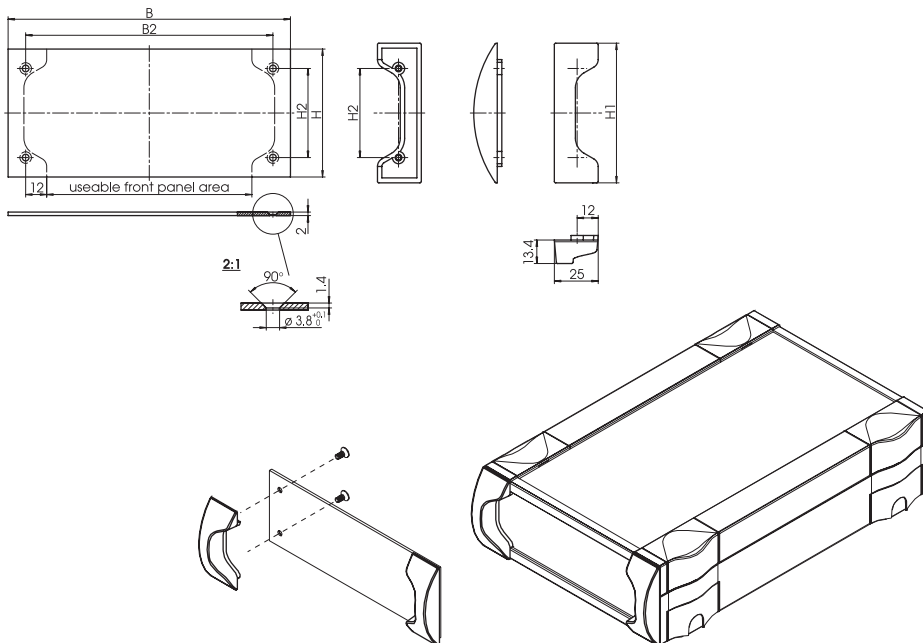
Design element set 4

Order designation			Suitable for
Model	Order no.	Colour	front panel
BO D4-9 TE-7035	68140910	● Light grey, sim. to RAL 7035	BO FP...09
BO D4-9 TE-6027	68140920	● Light green, sim. to RAL 6027	BO FP...09
BO D4-9 TE-7024	68140930	● Graphite grey, sim. to RAL 7024	BO FP...09
BO D4-9 TE-5014	68140940	● Dove blue, sim. to RAL 5014	BO FP...09
BO D4-9 TE-5002	68140950	● Ultramarine, sim. to RAL 5002	BO FP...09
BO D4-9 TE-I0788	68140960	● Green translucent	BO FP...09

Model	H	H1	H2	n	Front panels	B	B2
BO D4-9TE	57.72	64.40	35.56	2	BO FP 300..	161.00	141.00
					BO FP 500..	227.65	207.65
					BO FP 600..	294.35	274.35

n = number of screwing domes

Scope of delivery:
2 design elements,
fixing material



Design element set 4

By using design element set 4 you can create an individual design for the front or rear section of your BOTEKO enclosure. 6 different colours give your enclosure that special, individual touch. This design element can be used for all BOTEKO enclosures with a height of 9 TE.

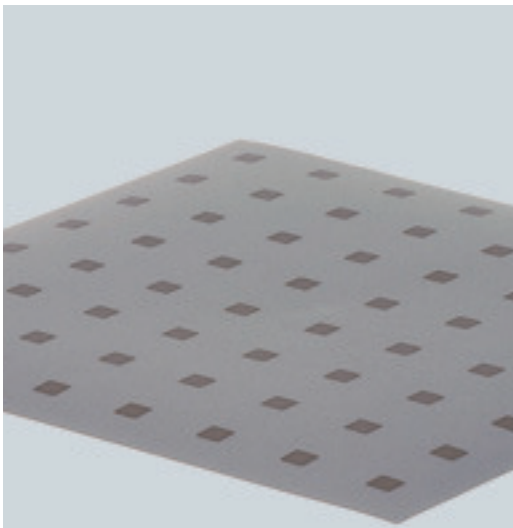
Matching front panels are shown on the relevant enclosure pages. We will be happy to carry out for you the processing of the front panel which is necessary for the mounting of the design element.

Note

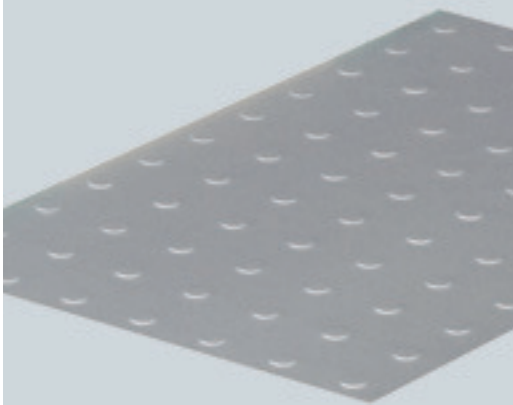
Other heights
available on request!



BOTEGO accessories



Design foil 1



Design foil 2

When used in combination with the other design elements, the standard range of design foils gives your enclosure surface that individual appearance.

In addition to our standard design foils, we will be happy to manufacture foils and membrane keypads which meet your specific requirements. Different shades, embossing and shapes offer you almost unlimited design opportunities.

Design foil 1

Order designation

Model	Order no.	W	D	Suitable for enclosure
BO FF1-32000*	70681320	116.7	182.6	BO 320..
BO FF1-51400*	70681514	183.4	122.6	BO 514..
BO FF1-52000*	70681520	183.4	182.6	BO 520..
BO FF1-62600*	70681626	250.0	242.6	BO 626..

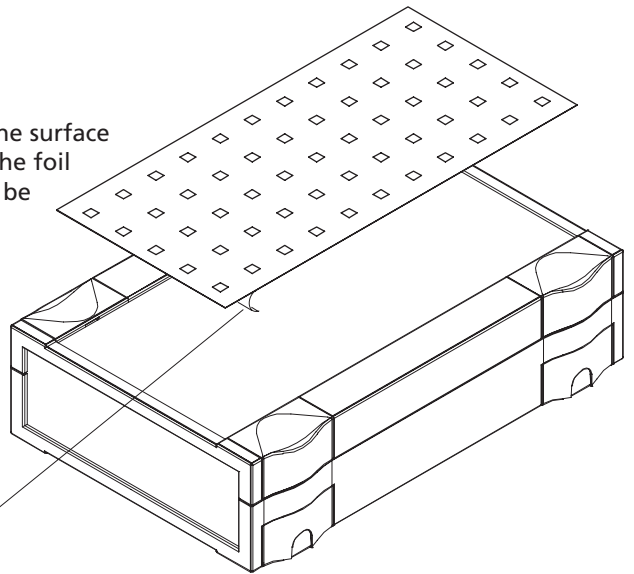
Scope of delivery:

1 design foil

Note:

To ensure good adhesion, the surface on the enclosure to which the foil is to be applied should first be degreased.

* = available on request



Z-2802068

Design foil 2

Order designation

Model	Order no.	W	D	Suitable for enclosure
BO FF2-32000*	70682320	116.7	182.6	BO 320..
BO FF2-51400*	70682514	183.4	122.6	BO 514..
BO FF2-52000*	70682520	183.4	182.6	BO 520..
BO FF2-62600*	70682626	250.0	242.6	BO 626..

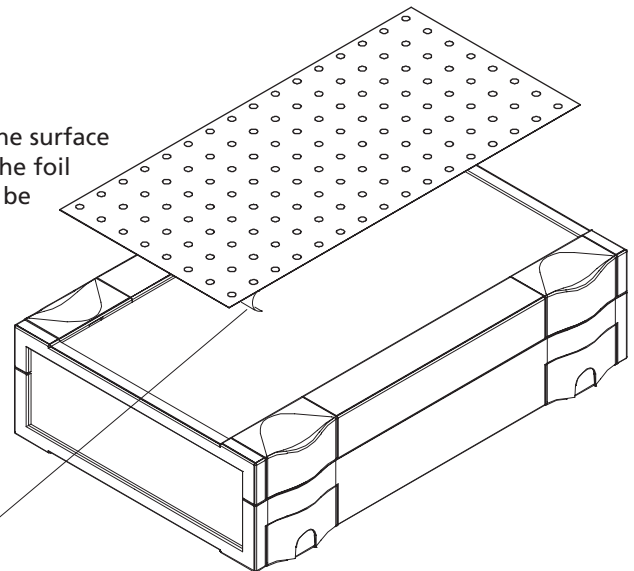
Scope of delivery:

1 design foil

Note:

To ensure good adhesion, the surface on the enclosure to which the foil is to be applied should first be degreased.

* = available on request



Z-2802068

Filling profile set for mounting racks

Order designation

Model	Order no.	TE*	a
BO PB1-21	68731210	21	128.16
BO PB1-42	68731420	42	234.84

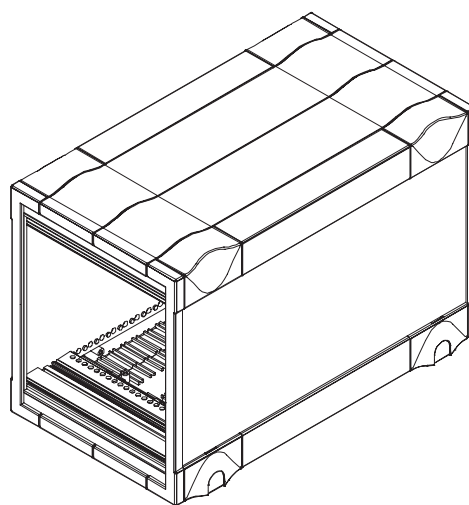
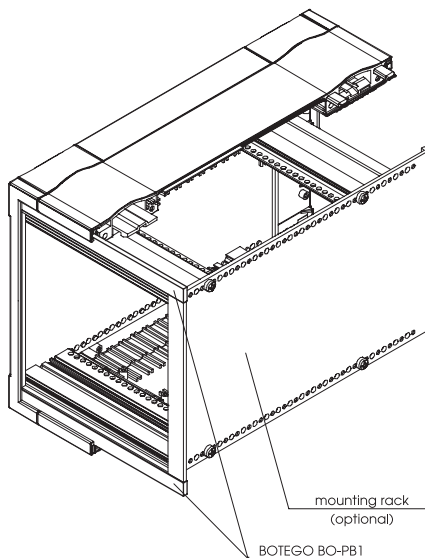
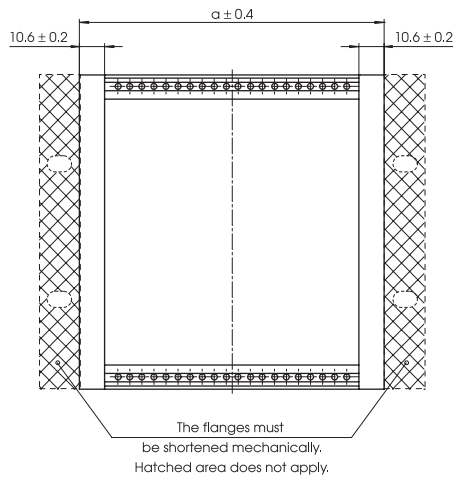
Scope of delivery:

1 set = 2 pieces

* The TE figure refers to the useful width of the mounting rack. The enclosure height must be selected 3 TEs larger.

Example:

Mounting rack installation width 21 TE, enclosure acc. to selection table on page 54 or 70 corresponds to TE = 24.



Filling profile set for mounting racks
By shortening the flanges, any mounting rack can be inserted into the BOTEGO enclosures. The empty areas above and under the mounting rack which are created by this process are closed by means of the filling profile set.



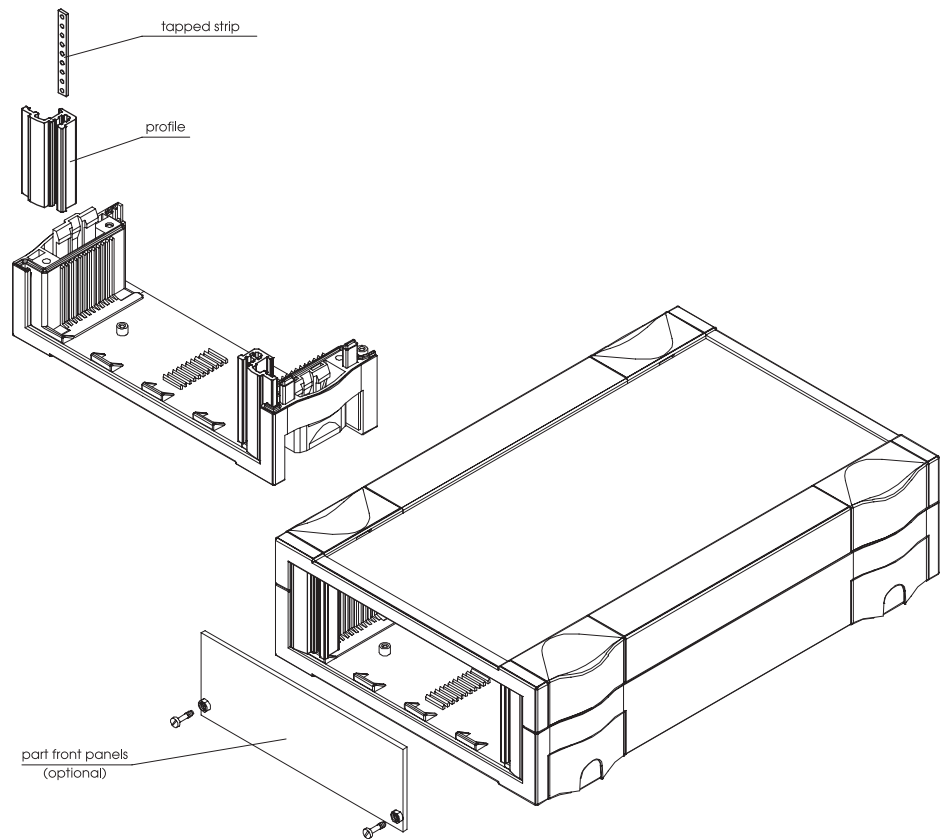
BOTEGO accessories

Profile set TF

Order designation

Model	Order no.	TE
BO PT1-06	68721060	6
BO PT1-09	68721090	9
BO PT1-12	68721120	12
BO PT1-15	68721150	15
BO PT1-18	68721180	18
BO PT1-21	68721210	21
BO PT1-24	68721240	24
BO PT1-27	68721270	27
BO PT1-30	68721300	30
BO PT1-33	68721330	33
BO PT1-36	68721360	36
BO PT1-39	68721390	39
BO PT1-42	68721420	42
BO PT1-45	68721450	45
BO PT1-48	68721480	48

Scope of delivery:
2 profiles, 2 tapped strips



Profile set TF
By simply inserting profiles and tapped strips between the half-shells/extension sets, a screwable front panel can be fitted to the enclosure.

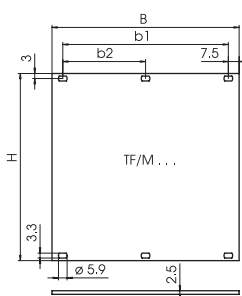
Part front panels

Order designation

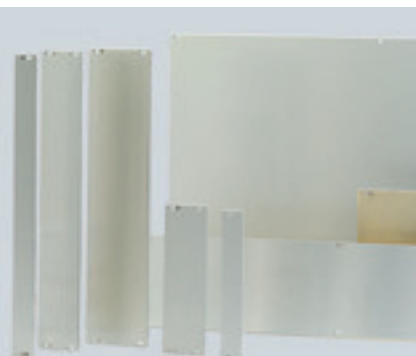
Model	Order no.	HE	Height	TE	W	b1	b2
TF/M 306	86806033	3	128.4	6	30.1	-	-
TF/M 309	86809033	3	128.4	9	45.4	-	-
TF/M 312	86812033	3	128.4	12	60.6	45.7	-
TF/M 315	86815033	3	128.4	15	75.8	61.0	-
TF/M 318	86818033	3	128.4	18	91.0	76.2	-
TF/M 321	86821033	3	128.4	21	106.3	91.4	-
TF/M 324	86824033	3	128.4	24	121.5	106.7	-
TF/M 327	86827033	3	128.4	27	136.8	121.9	-
TF/M 330	86830033	3	128.4	30	152.0	137.2	-
TF/M 333	86833033	3	128.4	33	167.2	152.4	-
TF/M 336	86836033	3	128.4	36	182.5	167.6	-
TF/M 339	86839033	3	128.4	39	197.7	182.9	-
TF/M 342	86842033	3	128.4	42	213.0	198.1	96.5
TF/M 345	86845033	3	128.4	45	228.2	213.4	106.7
TF/M 348	86848033	3	128.4	48	243.4	228.6	111.8
TF/M 4.506	86806453	4.5	195.1	6	30.1	-	-
TF/M 4.509	86809453	4.5	195.1	9	45.3	-	-
TF/M 4.512	86812453	4.5	195.1	12	60.6	45.7	-
TF/M 4.515	86815453	4.5	195.1	15	75.8	61.0	-
TF/M 4.518	86818453	4.5	195.1	18	91.0	76.2	-
TF/M 4.521	86821453	4.5	195.1	21	106.3	91.4	-
TF/M 4.524	86824453	4.5	195.1	24	121.5	106.7	-
TF/M 4.527	86827453	4.5	195.1	27	136.8	121.9	-
TF/M 4.530	86830453	4.5	195.1	30	152.0	137.2	-
TF/M 4.533	86833453	4.5	195.1	33	167.2	152.4	-
TF/M 4.536	86836453	4.5	195.1	36	182.5	167.6	-
TF/M 4.539	86839453	4.5	195.1	39	197.7	182.9	-
TF/M 4.542	86842453	4.5	195.1	42	213.0	198.1	96.5
TF/M 4.545	86845453	4.5	195.1	45	228.2	213.4	106.7
TF/M 4.548	86848453	4.5	195.1	48	243.4	228.6	111.8
TF/M 606	86806063	6	261.8	6	30.1	-	-
TF/M 609	86809063	6	261.8	9	45.3	-	-
TF/M 612	86812063	6	261.8	12	60.6	45.7	-
TF/M 615	86815063	6	261.8	15	75.8	61.0	-
TF/M 618	86818063	6	261.8	18	91.0	76.2	-
TF/M 621	86821063	6	261.8	21	106.3	91.4	-
TF/M 624	86824063	6	261.8	24	121.5	106.7	-
TF/M 627	86827063	6	261.8	27	136.8	121.9	-
TF/M 630	86830063	6	261.8	30	152.0	137.2	-
TF/M 633	86833063	6	261.8	33	167.2	152.4	-
TF/M 636	86836063	6	261.8	36	182.5	167.6	-
TF/M 639	86839063	6	261.8	39	197.7	182.9	-
TF/M 642	86842063	6	261.8	42	213.0	198.1	96.5
TF/M 645	86845063	6	261.8	45	228.2	213.4	106.7
TF/M 648	86848063	6	261.8	48	243.4	228.6	111.8

Note:

Please order collar screw and screw holder separately, see „part of the red“, page 117.



Z-2802080



Part front panels from 6 to 48 TE.
For 3, 4, 5 and 6 HE.
Material: aluminium 2.5 mm,
front anodized, rear passivated.



BOTEGO accessories



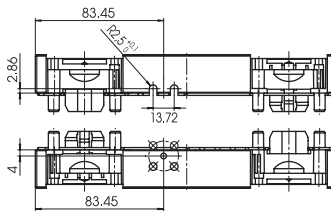
Handle

Order designation

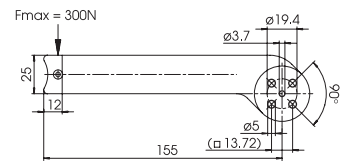
Model	Order no.	TE	T1	T2	For use with enclosure
BO HS 30000	68430000	-	174.0	-	BO 320... (L)
BO HS 50000	68450000	-	240.7	-	BO 514... (L)
BO HS 50000	68450000	-	240.7	-	BO 520... (L)
BO HS 60000	68460000	-	307.4	-	BO 626... (L)
BO HS 00015 *	68400015	15	-	97.7	BO ...06 + 1 AB
BO HS 00018 *	68400018	18	-	112.9	BO ...09 + 1 AB
BO HS 00021 *	68400021	21	-	128.2	BO ...12 + 1 AB
BO HS 00024 *	68400024	24	-	143.4	BO ...06 + 2 AB
BO HS 00027 *	68400027	27	-	158.6	BO ...09 + 2 AB
BO HS 00030 *	68400030	30	-	173.9	BO ...12 + 2 AB
BO HS 00033 *	68400033	33	-	189.1	BO ...06 + 3 AB
BO HS 00036 *	68400036	36	-	204.4	BO ...09 + 3 AB
BO HS 00039 *	68400039	39	-	219.6	BO ...12 + 3 AB
BO HS 00042 *	68400042	42	-	234.8	BO ...06 + 4 AB
BO HS 00045 *	68400045	45	-	250.1	BO ...09 + 4 AB
BO HS 00048 *	68400048	48	-	265.3	BO ...12 + 4 AB

* = available on request

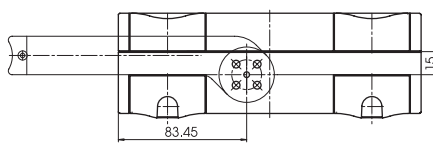
Machining for BO HS 30000, 50000, 60000
half shell - low



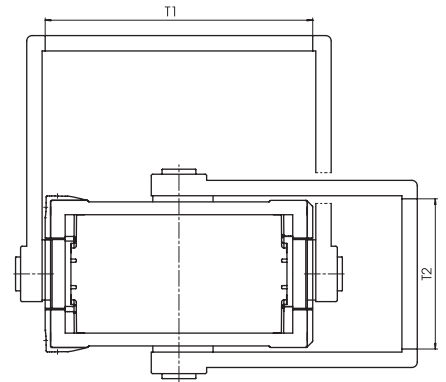
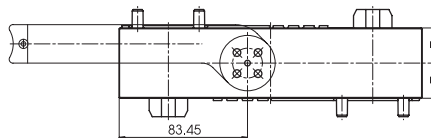
Machining for BO HS



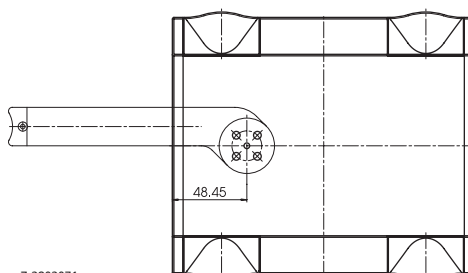
half shell high -



extension kit BO AB



Machining for BO HS 000 . . .



When used with enclosure BO 626.. (L), in order to permit the handle to be swivelled onto the enclosure side, the handle must be mounted displaced by 20 mm away from the middle of the enclosure.

Depending on the intended use of the enclosure, the handle can be fitted from the exterior to the side of the enclosure or to the enclosure foil surface.

Because the handle swivels, in addition to its carrying function it can also be used to hold the enclosure at an angle (fixed locking position every 30°).

We will be happy to carry out for you the processing of the half-shells/ extension sets which is necessary for the mounting of the handle.

The side sections of the handle are light grey, similar to RAL 7035, the profile is silver-colour anodized.

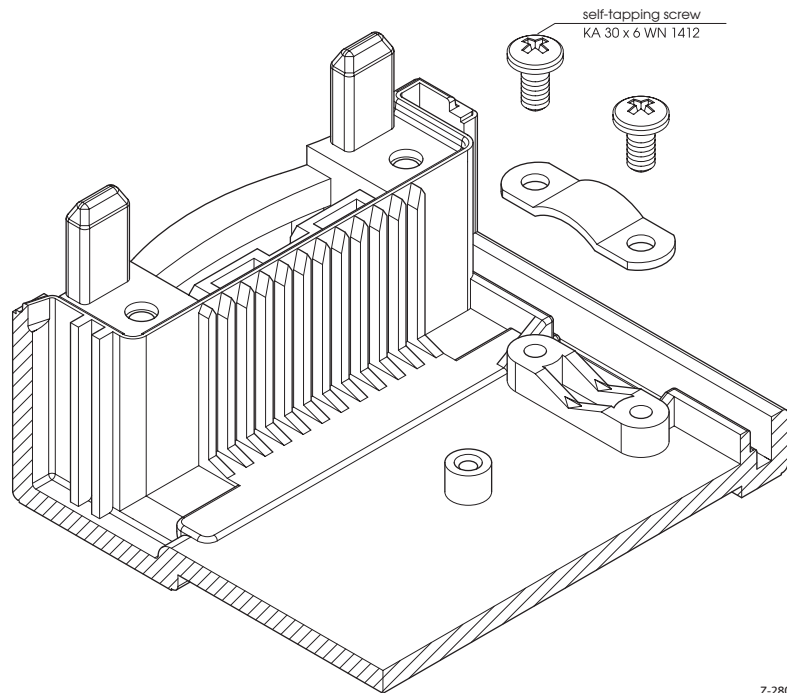
Order designation

Model	Order no.	PU
BOTEGO strain relief set	68900040	10 pieces

Strain relief set

On the front of each half-shell there are two places suitable for fitting a cable strain relief.
For cable diameters from 4 mm to max. 6 mm.

Scope of delivery:
10 strain relief brackets,
20 screws



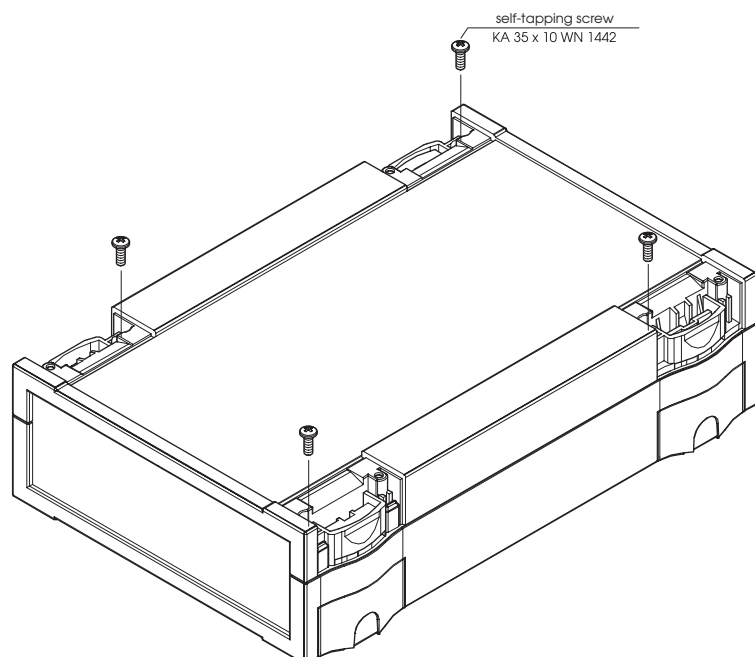
Z-2802070

Order designation

Model	Order no.	PU
BOTEGO screw set	68900030	40 pieces

Screw set

The entire BOTEGO enclosure range is supplied as standard with a sturdy snap-lock system.
When more than one extension set is used, and when very heavy equipment is fitted in the enclosures, it may be necessary to use additional screwing.



Z-2802069