

OUTDOOR LIVING SUITE



(WITH CUSTOMER-PROVIDED STONE TOP)
INSTALLATION INSTRUCTIONS
GESo8, GESBo8, GES12, GESB12

IMPORTANT - READ ALL INSTRUCTIONS BEFORE YOU BEGIN

THE INSTALLATION HEREIN SHOULD BE PERFORMED BY A QUALIFIED SERVICE TECHNICIAN OR PROFESSIONAL OUTDOOR EQUIPMENT INSTALLER. MANY COMPONENTS ARE HEAVY AND REQUIRE 2 OR 3 PERSONS TO UN-PACK AND SETUP THIS SUITE. FAILURE TO DO SO MAY RESULT IN PERSONAL INJURY.

THE ELECTRICAL COMPONENTS SUPPLIED WITH THIS SUITE MUST BE INSTALLED BY A LICENSED ELECTRICIAN AND CONNECTED IN ACCORDANCE WITH LOCAL CODES. THE SUITE SHOULD BE CONNECTED TO A DEDICATED CIRCUIT BREAKER. ALL OUTLETS SUPPLIED WITH THIS SUITE ARE GROUND FAULT CIRCUIT INTERRUPTER OUTLETS AND MUST BE PROPERLY INSTALLED AND GROUNDED BY A LICENSED ELECTRICIAN TO GUARANTEE SAFE AND RELIABLE OPERATION.

SOME PARTS INSIDE THE SUITE HAVE SHARP EDGES. CARE MUST BE TAKEN WHEN HANDLING THE VARIOUS COMPONENTS TO AVOID PERSONAL INJURY. WEAR GLOVES WHEN HANDLING.

TOOLS REQUIRED:

- Work gloves
- Safety glasses
- Power drill with masonry bits
- Concrete / masonry anchors & hardware
- Flat and Phillips screwdrivers
- Socket wrench with 7/16" & 9/16" sockets and short extensions
- Combination wrenches of 7/16" & 9/16" sizes
- Level

AFTER INSTALLATION OF YOUR GRILL AND OTHER GAS-FIRED EQUIPMENT IN THIS SUITE, READ THE MANUAL(S) PROVIDED WITH THOSE PRODUCTS CAREFULLY AND COMPLETELY BEFORE USING YOUR GRILL TO REDUCE THE RISK OF FIRE, BURN HAZARD, OR OTHER INJURY. KEEP THIS MANUAL FOR FUTURE REFERENCE.



WARNING IF THE INFORMATION IN THE GAS-FIRED APPLIANCE MANUALS ARE NOT FOLLOWED EXACTLY, A FIRE OR EXPLOSION MAY RESULT CAUSING PROPERTY DAMAGE, PERSONAL INJURY, OR DEATH.



WARNING Flammable Gas - disconnect all propane or natural gas supplies to this unit before servicing.



WARNING Electrical Parts & Components – disconnect all power supplies and batteries before servicing.



SUITE MODELS WITH CUSTOMER-PROVIDED TOP

Below are representations of Hestan Outdoor Living Suites covered in this manual.

EN



Suite GES08 shown with:
 GABR36 Built-In Gas Grill
 ABG122 Double Side Burner
 AGAD36 Double Access Doors
 GRSR24 Outdoor Fridge
 ALL ITEMS PURCHASED SEPARATELY



Suite GESB12 shown with:
 GABR42 Built-In Gas Grill
 ABG122 Double Side Burner
 AGTC Trash Chute
 AGAD42 Double Access Doors
 AGDR16 Double Drawers
 AGTRC20 Trash & Recycling Center
 GFDSR241 Outdoor Single Faucet Beer Dispenser
 ALL ITEMS PURCHASED SEPARATELY

HESTAN OUTDOOR LIVING SUITES	
MODEL #	DESCRIPTION
GES08	GRILL, OUTDOOR LIVING SUITE, CUSTOMER-PROVIDED COUNTERTOP, 8 FOOT
GESB08	GRILL, OUTDOOR LIVING SUITE, CUSTOMER-PROVIDED COUNTERTOP & BAR, 8 FOOT
GES12	GRILL, OUTDOOR LIVING SUITE, CUSTOMER-PROVIDED COUNTERTOP, 12 FOOT
GESB12	GRILL, OUTDOOR LIVING SUITE, CUSTOMER-PROVIDED COUNTERTOP & BAR, 12 FOOT

LOCATING THE SUITE



When determining a suitable location for your suite, take into account concerns such as exposure to wind, rain, sprinklers, proximity to traffic paths, and keeping any gas supply line runs as short as possible.

Locate the grill only in a well-ventilated area. Never locate the grill in a building, breezeway, shed or other such enclosed areas without an approved ventilation system. Never locate the grill over, under, or next to unprotected combustible construction.

During heavy use, the grill will produce a lot of heat and smoke. The grill is designed to take in cool air at the front control panel area, and send the combustion products and smoke out the exhaust gap at the rear of the hood. It is important to maintain this flow at all times. Using the grill in windy areas can disrupt this proper flow and cause damage to your grill, or result in burn hazards to the user. See Fig. 1 for details.

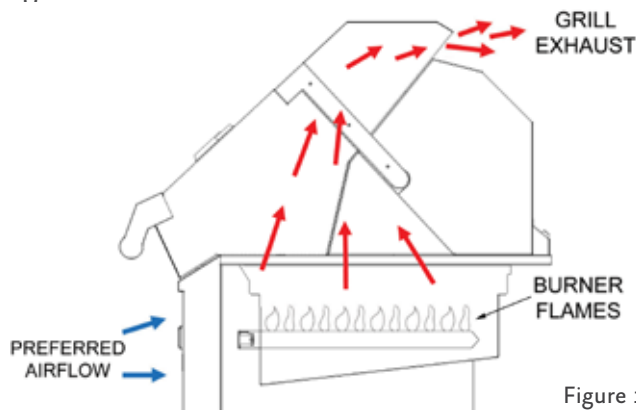


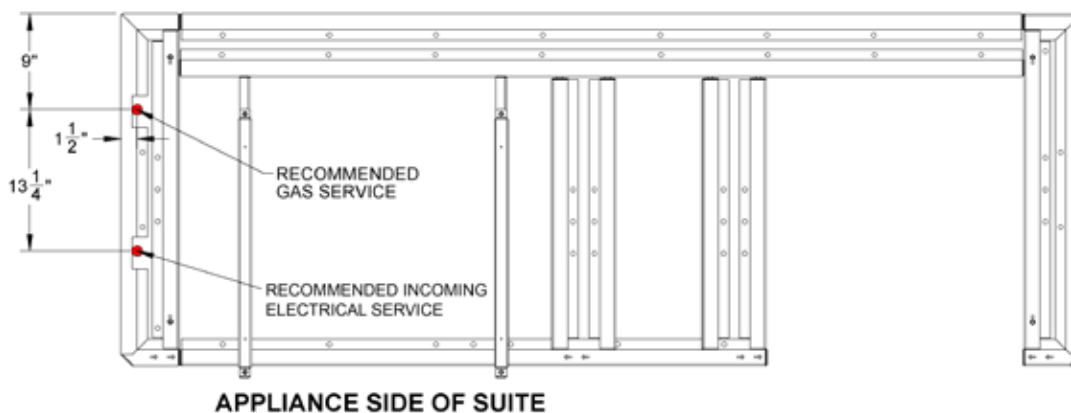
Figure 1

The Hestan Outdoor Living suite features ventilation openings (louvers) on each end. These openings must be clear to avoid accumulation of gas should there be a leak. These openings are further described later in this manual.

CURB INSTALLATION



1. The Hestan Outdoor Living Suite must be located on a level concrete or masonry patio surface, not on direct soil. A licensed plumber and electrician should run their service lines to the suite area prior to installation of the curb, in accordance with local codes. See dimensions below for recommended location. See ELECTRICAL ITEMS section of this manual for details. The gas line to the suite will require a shut-off that is easily accessible. Local codes may also require a tracer wire be buried alongside the gas line for underground detection. See the GAS CONNECTIONS section of this manual, and the appliance manual(s) for more details.

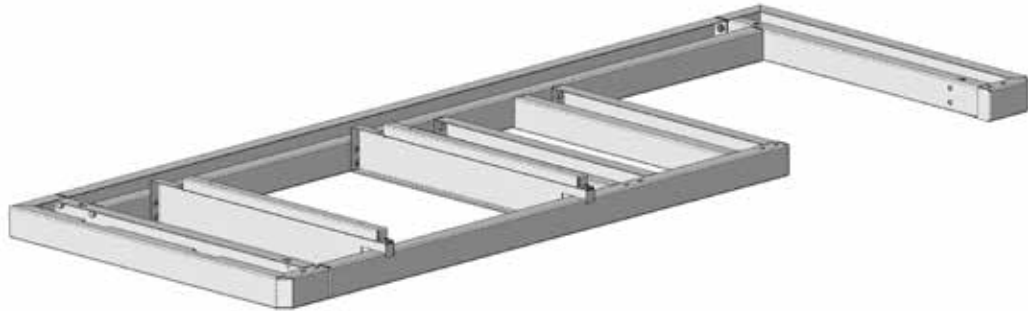


CURB TOP VIEW SERVICE LOCATIONS



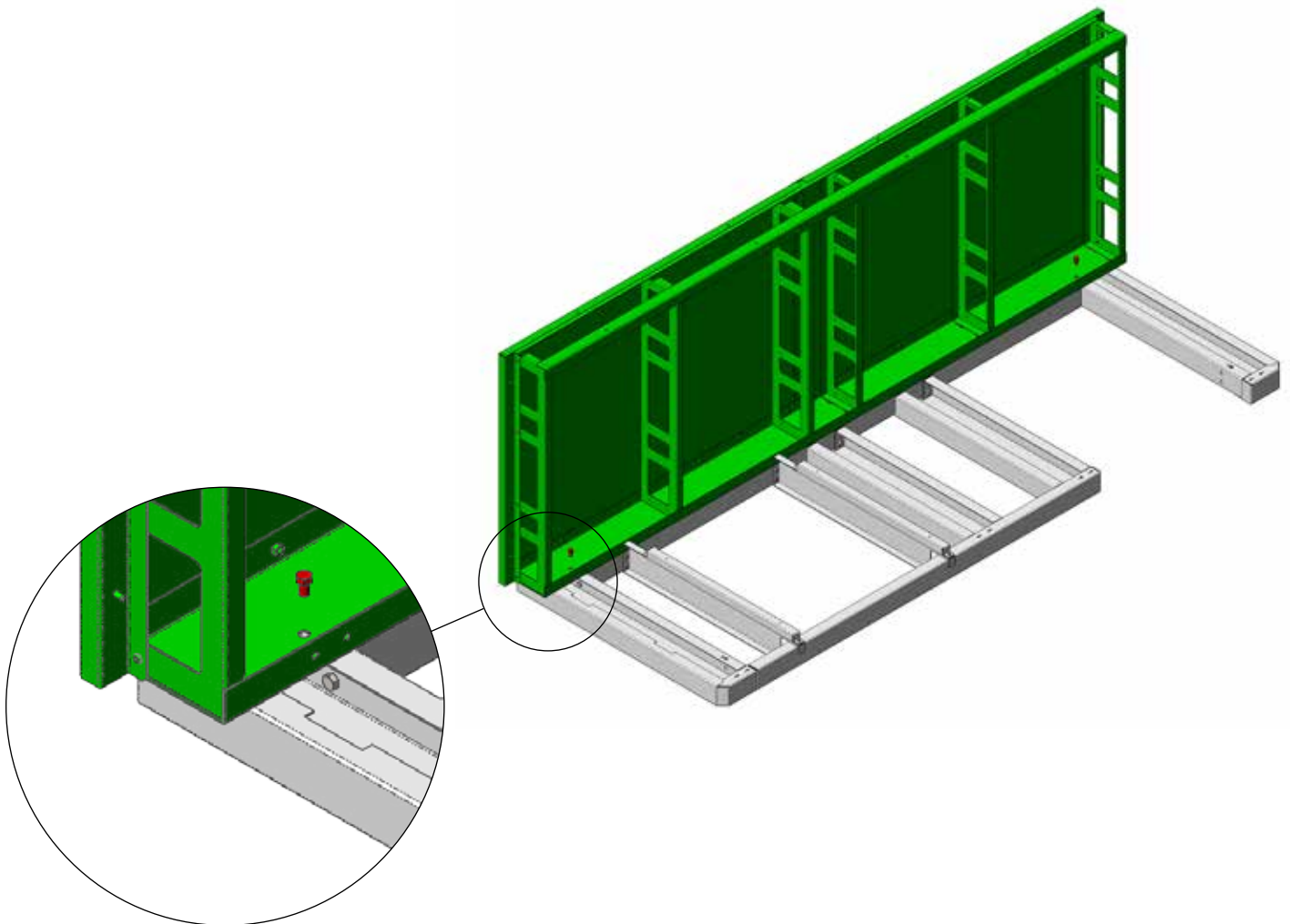
CURB INSTALLATION *(continued)*

- The curb should be as level as possible and **permanently** anchored to the patio surface using stainless steel masonry anchors & bolts (not included). If you choose not to permanently anchor your suite, be sure you have moved it to its final location. Also be aware that the suites featuring a bar are prone to tipping over unless the curb is anchored to the floor surface. The Outdoor Living Suite is very heavy and difficult to move once assembly is complete and all equipment has been installed. (8 foot Outdoor Living Suite curb shown)



BACK AND SUPPORT WALL ASSEMBLY

- Use 2 each 3/8-16 x 5/8" long hex bolts to align and attach the back wall to the curb. Be careful the back wall does not tip over if the curb was not anchored down. Tighten all bolts.



BACK AND SUPPORT WALL ASSEMBLY *(continued)*

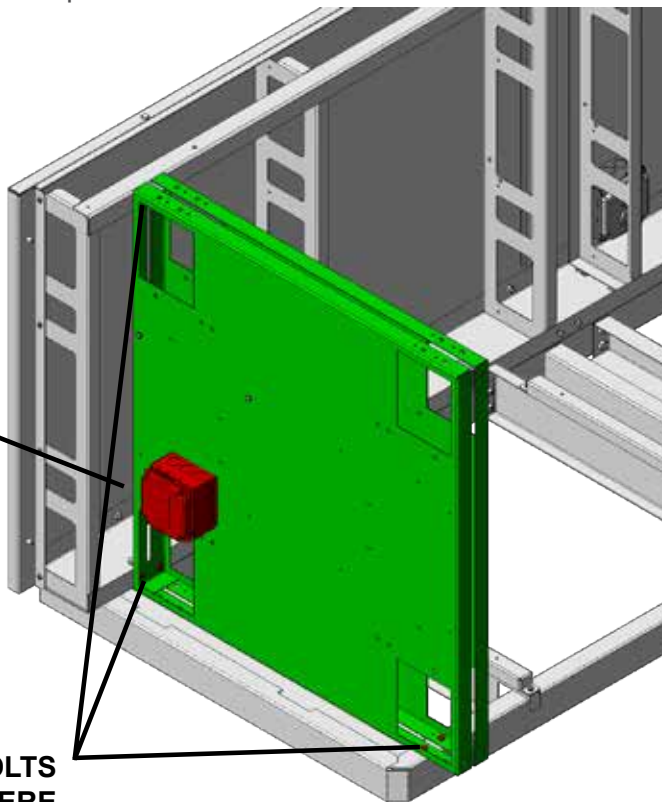


- Attach support wall #1 to curb assembly and back wall as shown using 6 each 1/4-20 x 1/2" hex bolts and hex nuts where needed. Do not fully tighten bolts yet. Route the main electrical box as described below and attach using 2 each 1/4" hex nuts.

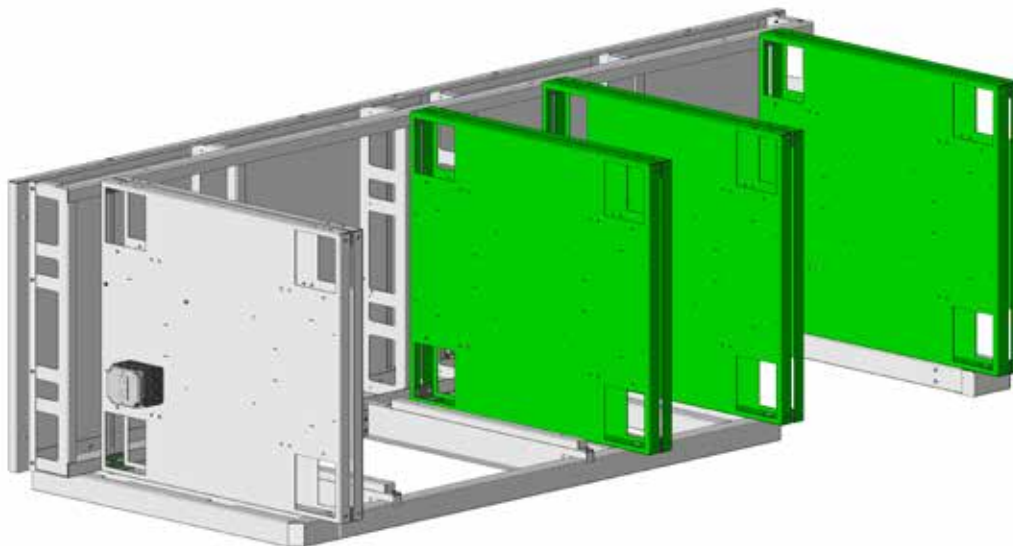
EN

**MAIN ELECTRICAL BOX
ROUTE THIS BOX
BETWEEN THIS SPACE
AND ATTACH TO THIS WALL
ON 2 STUDS PROVIDED**

**1/4" BOLTS
& NUTS HERE**



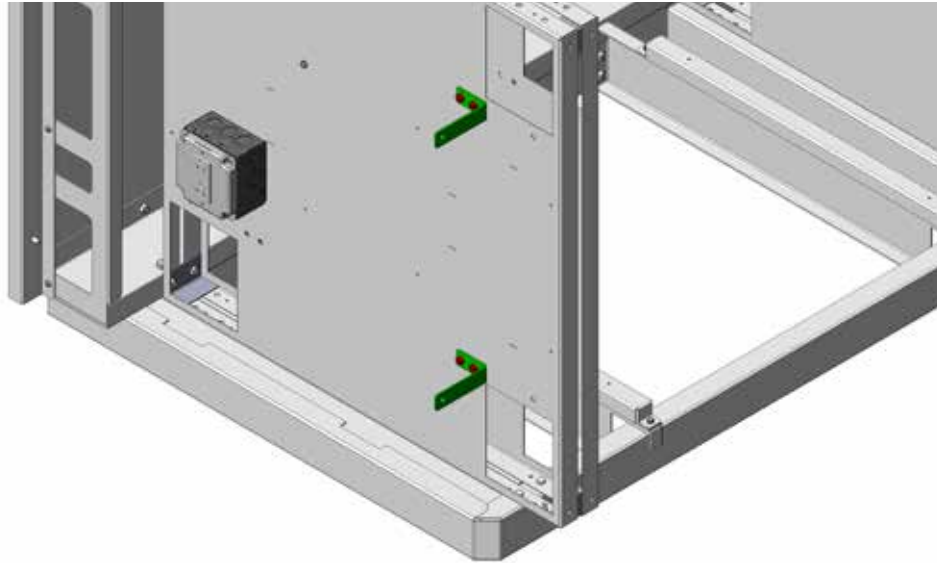
- Install remaining support walls as you did in step 4. Each wall is numbered and has a corresponding number on the curb and/or rear wall for ease of locating. (8 foot Outdoor Living Suite shown) Do not fully tighten bolts yet.



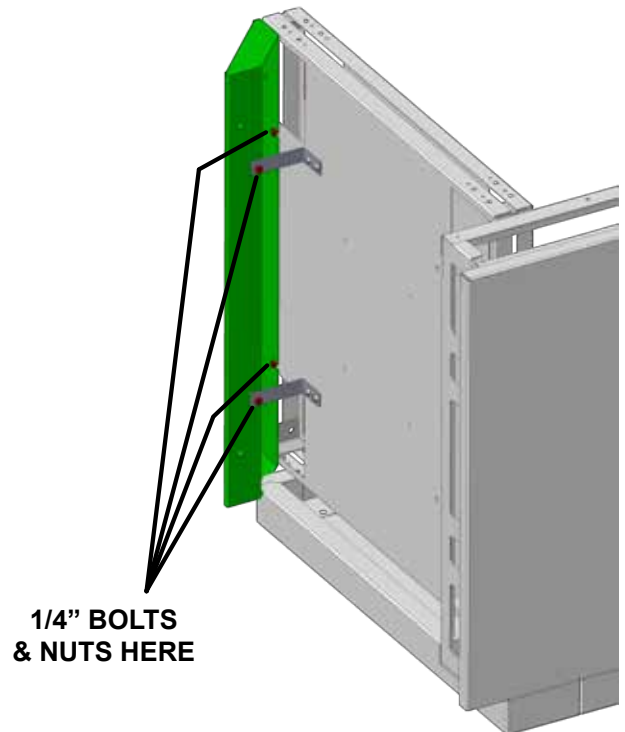
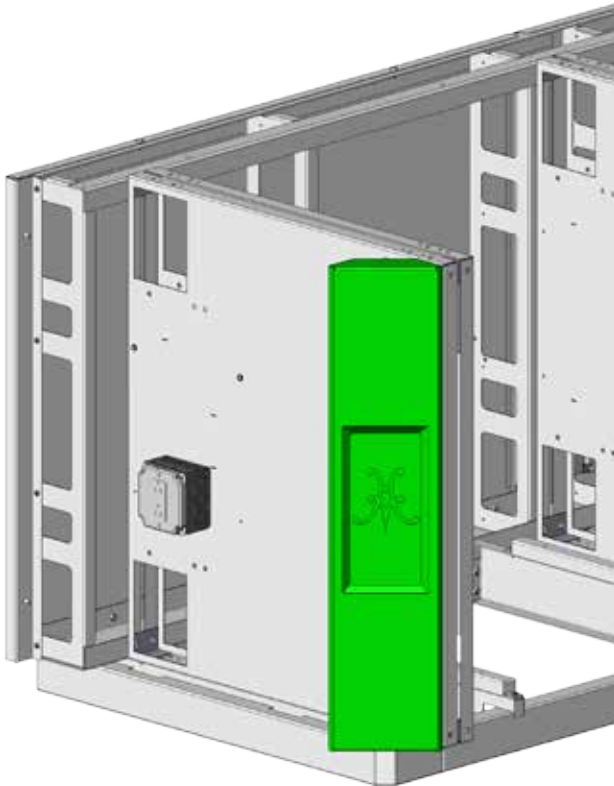


INSTALL CORNER ASSEMBLY

6. Install corner assembly brackets as shown using 1/4-20 x 1/2" long hex bolts and hex nuts where needed. For suites with Bar Top, install 4 brackets on each side.



7. Install 2 corner assemblies (4 assemblies for suites with Bar Top). Use 1/4-20 x 1/2" long hex bolts and hex nuts where needed. **Do not tighten until lift-off panels have been checked for proper fit (see Step 13).**



ELECTRICAL ITEMS



EN

ELECTRICAL SUPPLY

The Hestan Outdoor Living Suite is completely pre-wired for ease of installation. The suite will require a 20 amp supply (breaker) from the house main electrical panel. The licensed electrician will have to run the appropriate wire size and conduit for this application. Rigid or flexible conduit suitable for burial with water-tight connections are highly recommended from the house main electrical panel, to the suite.

Important: The appliance(s) must be electrically grounded in accordance with local codes, or in the absence of local codes with the National Electrical Code, *ANSI/NFPA 70-1990*.

⚠ WARNING

Appliances (grill, side burner, refrigerators, etc.) are equipped with a flexible electrical supply cord featuring a three-prong grounding plug. It is imperative that this plug be connected to a properly grounded three-prong receptacle. If the receptacle is not the proper grounding type, contact an electrician. Do not remove the grounding prong from this plug.

The appliances are designed for 120 volt AC power and must be plugged into a Ground Fault Circuit Interrupter (GFCI) protected circuit. For gas-burning appliances, do not connect to the electrical supply until after gas connections have been made and leak checks have been performed.

KEEP ANY ELECTRICAL CORDS AND FUEL SUPPLY HOSES AWAY FROM ANY HEATED SURFACES.

- To protect against electric shock, do not immerse cord or plugs in water or other liquid.
- Unplug from the outlet when not in use and before cleaning. Allow to cool before putting on or taking off parts.
- Do not operate any outdoor cooking gas appliance with a damaged cord or plug, or after the appliance malfunctions or has been damaged in any manner. Contact the manufacturer for repair.
- Do not let the cord hang over the edge of a table or touch hot surfaces.
- Do not use an outdoor cooking gas appliance for purposes other than intended.
- Use only a Ground Fault Circuit Interrupter (GFCI) protected circuit with this outdoor cooking gas appliance.
- Never remove the grounding prong or use with a 2-prong ground adapter.
- Use only extension cords with a 3-prong grounding plug, rated for the power of the equipment, and approved for outdoor use with a W-A marking.

ELECTRICAL BOXES & CONDUIT

8. As mentioned in Step 1, a licensed electrician must run the electrical supply lines from the house main electrical panel (20 amp breaker), to the recommended area below the curb base. This supply is brought into the main electrical box as shown in the photo on the next page. The flex conduits coming out of this box are labeled "A" or "B". The electrician will make up the final connections as shown in the diagrams on the following pages.

This main electrical box contains a GFCI outlet, which protects all the "B" outlets. The "A" circuit runs to the weather-proof GFCI outlet located on the right side of the Suite, or to the outlets at the bar (for those models featuring a raised bar). Should the GFCI trip due to a fault at the Grill, Side Burner, or Refrigerator ("B" outlets), it must be reset, and the other "A" outlets will not be affected. Similarly, the "A" GFCI will not affect the "B" outlets if it trips due to a fault.

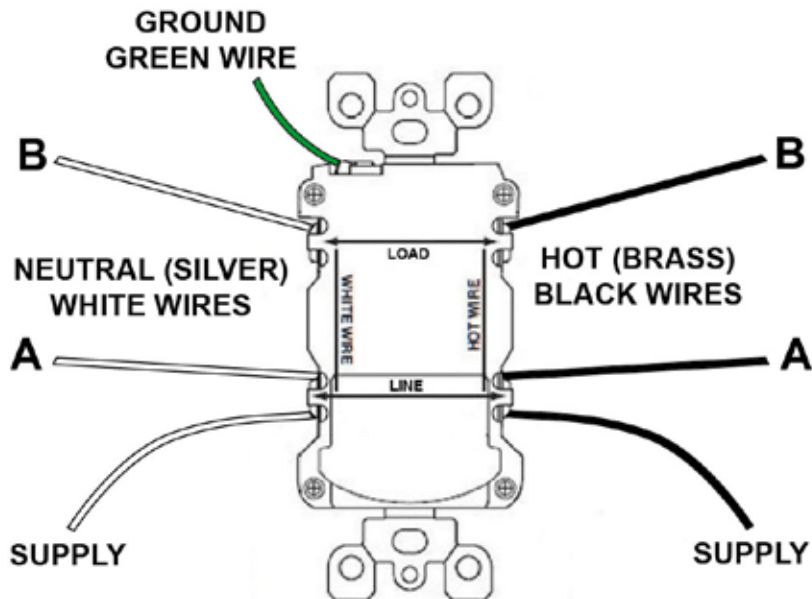


EN



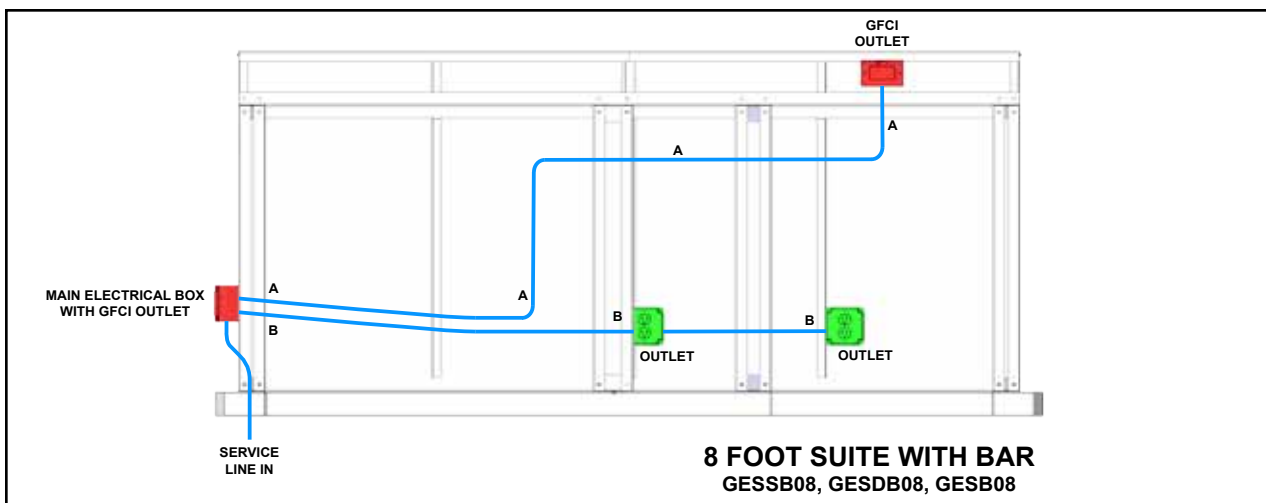
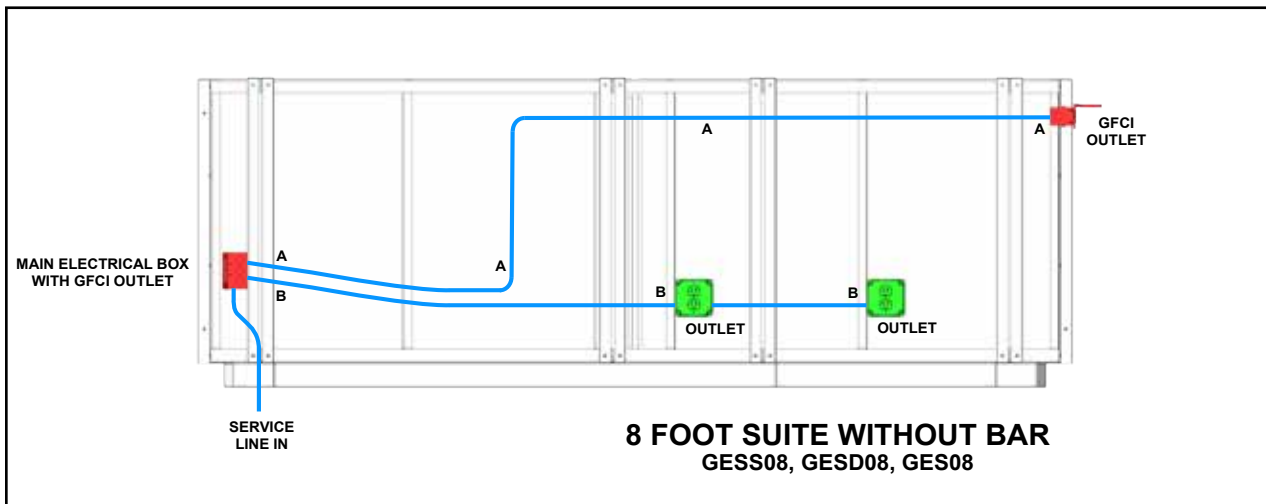
MAIN ELECTRICAL BOX SHOWING SUPPLY LINE ENTERING ON RIGHT SIDE OF BOX.

BACK VIEW





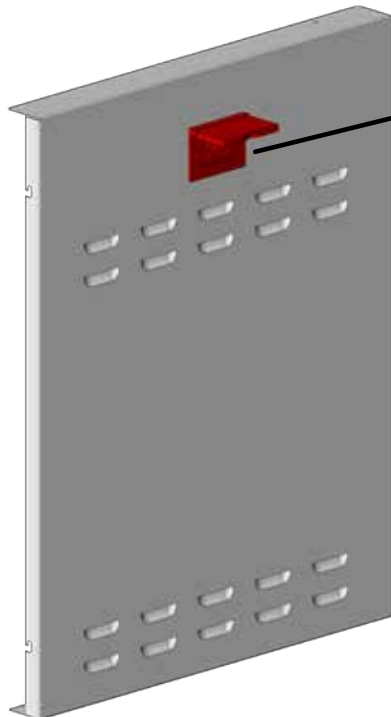
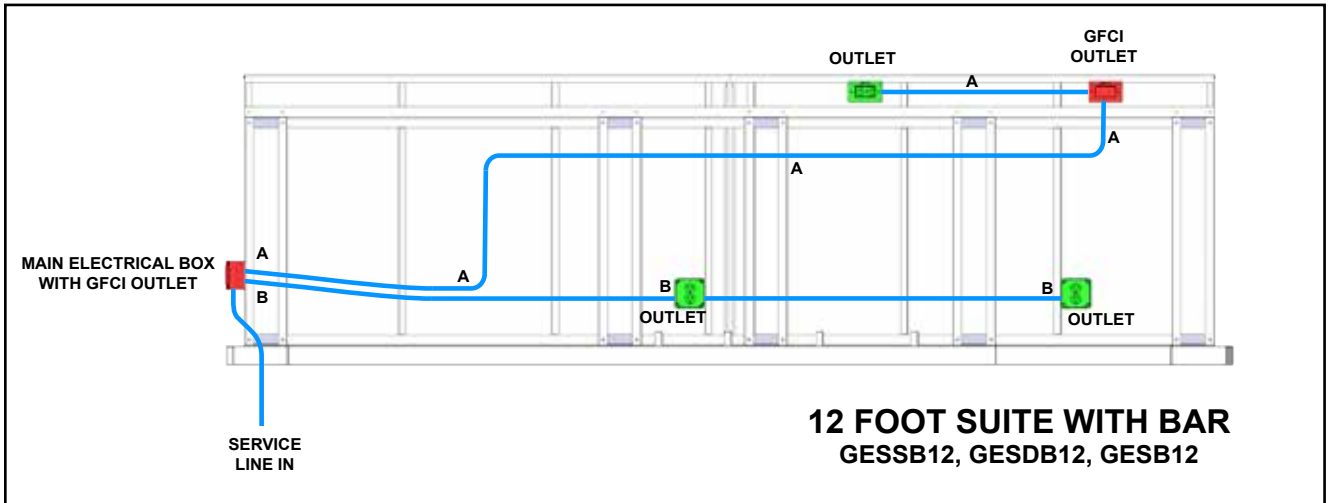
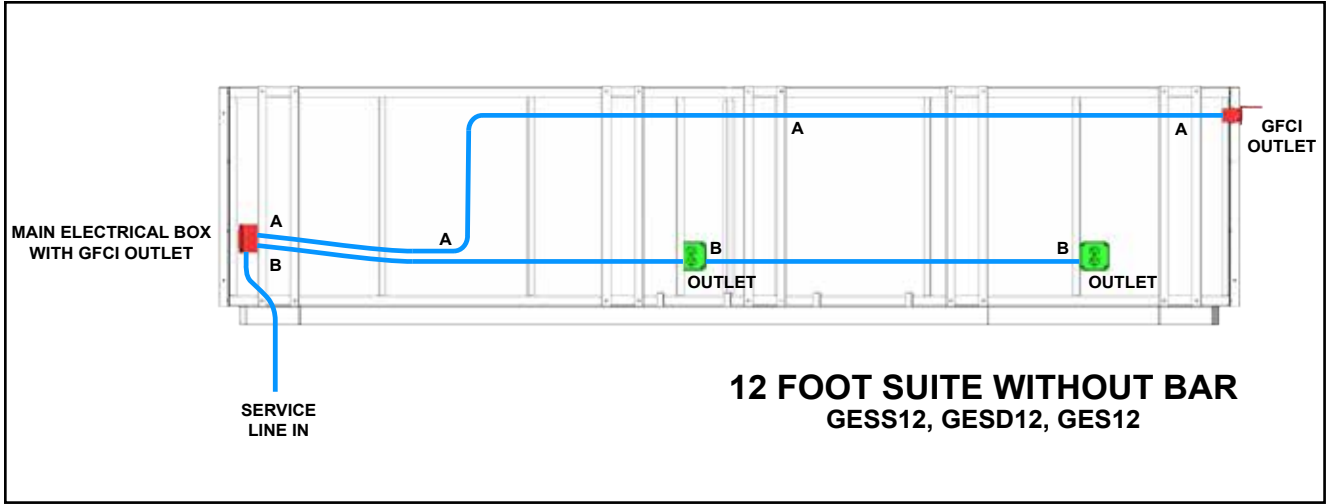
MAIN ELECTRICAL BOX COMPLETE





ELECTRICAL ITEMS *(continued)*

EN



GFCI OUTLET WITH WEATHERPROOF COVER

RIGHT SIDE OF SUITE
(For Suite without Bar)

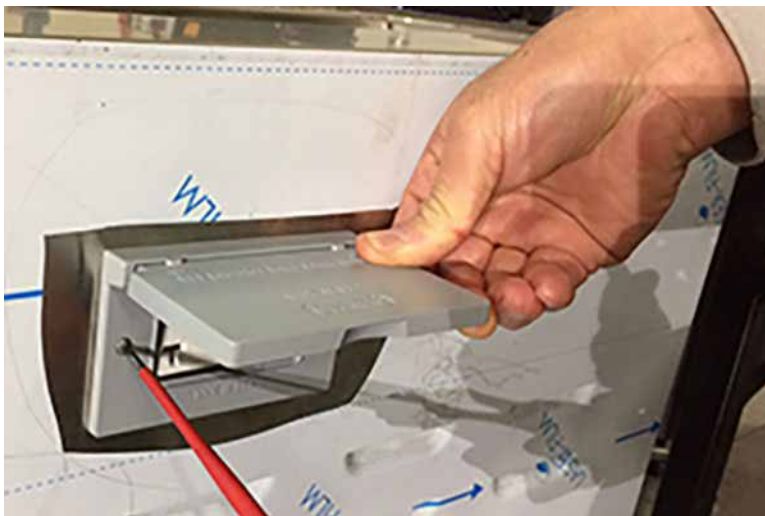
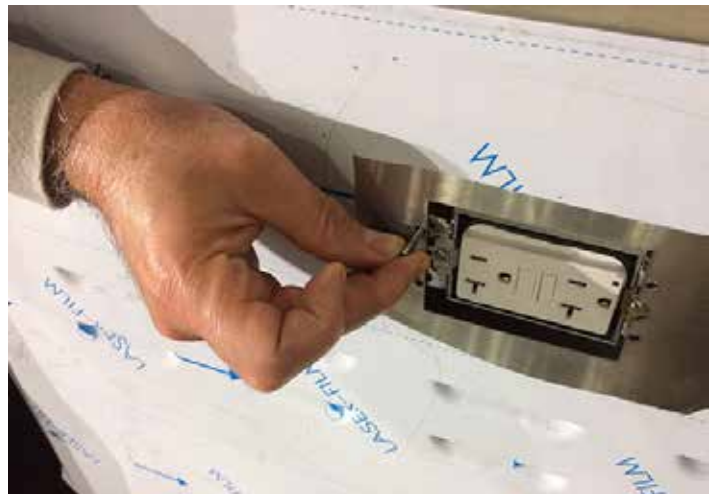
INSTALL OUTER PANELS



- The GFCI outlet on the right side of the suite is shipped loosely and must be passed through the space shown below and installed from behind the right panel (does not apply to Suite with a bar).



Line up and install 4 each #10 screws as shown here.

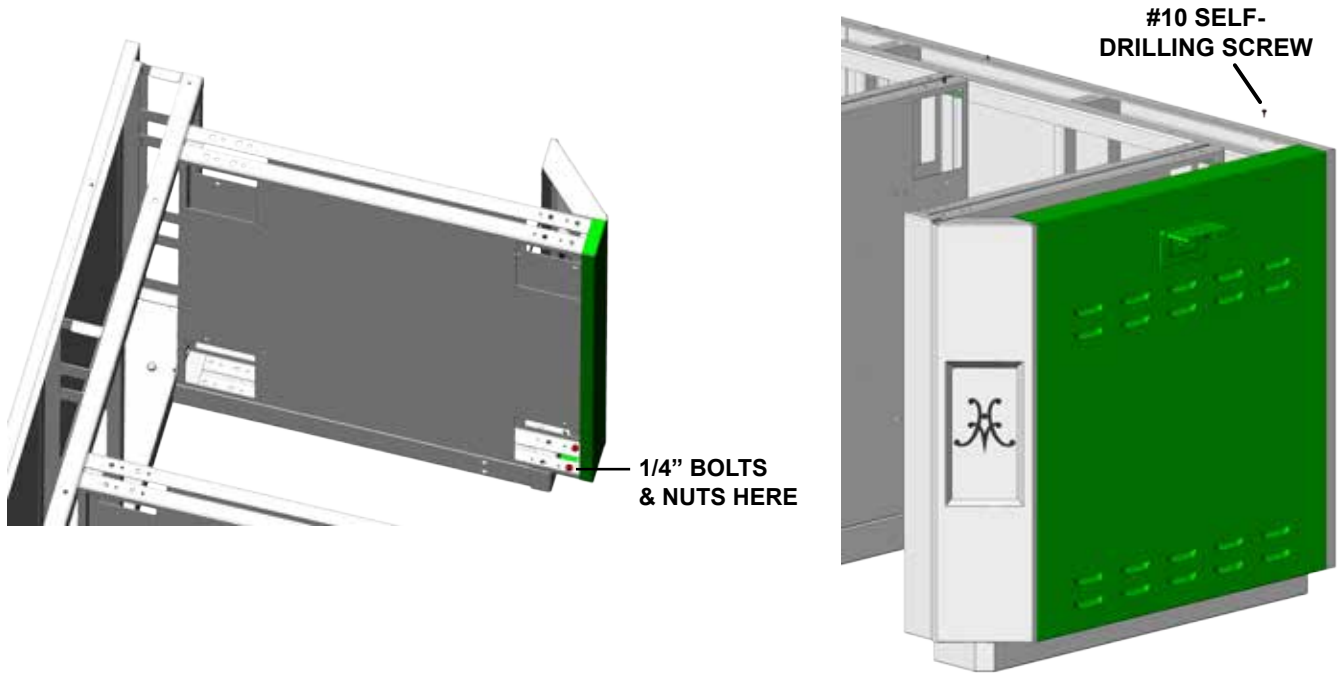


Install the foam gasket, and weather-proof cover with the screws provided.

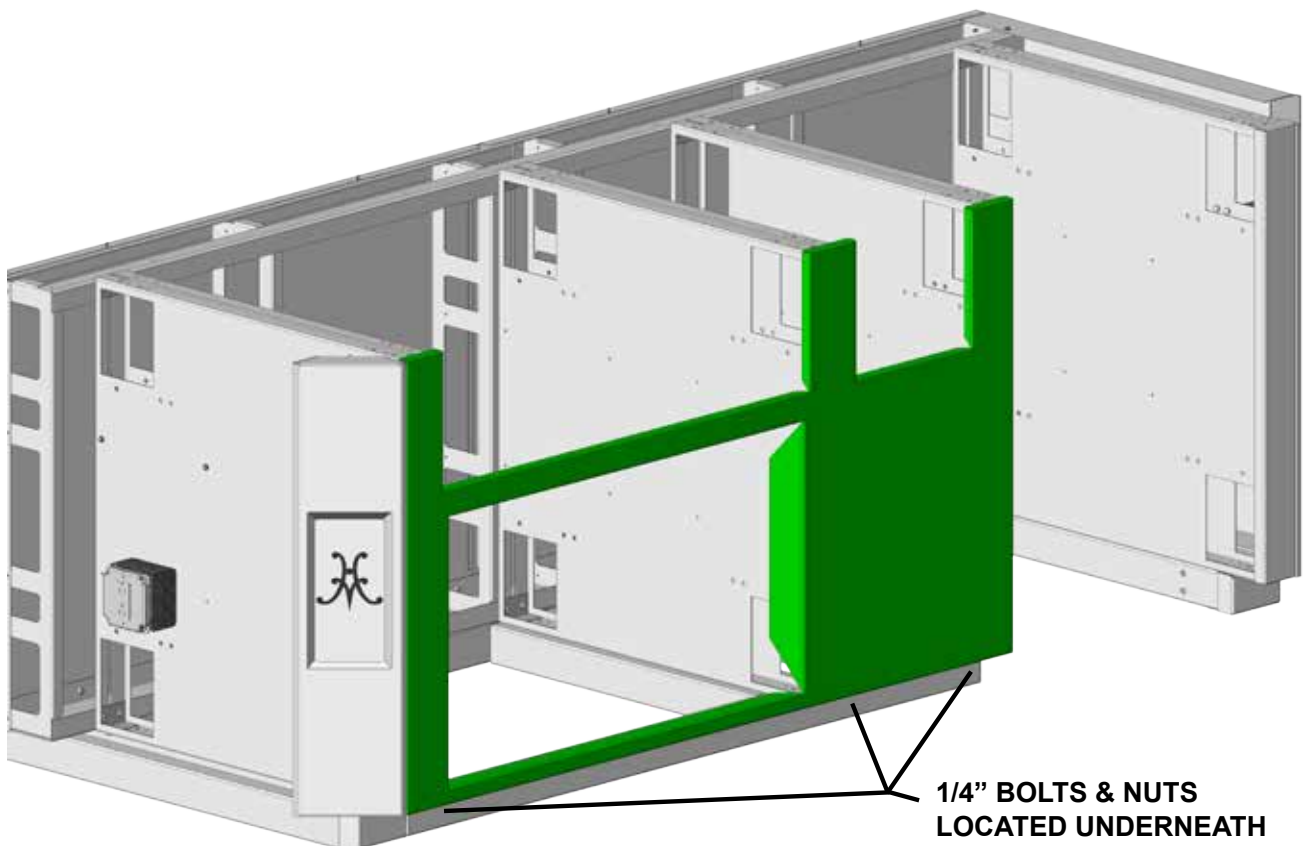


INSTALL OUTER PANELS *(continued)*

10. Install small front panel as shown using 2 each 1/4-20 x 1/2" long hex bolts and hex nuts. With wiring complete, secure right panel as shown with a #10 self-drilling screw.



11. Install large front panel as shown using 1/4-20 x 1/2" long hex bolts and hex nuts where needed. (8 foot Outdoor Living Suite shown)

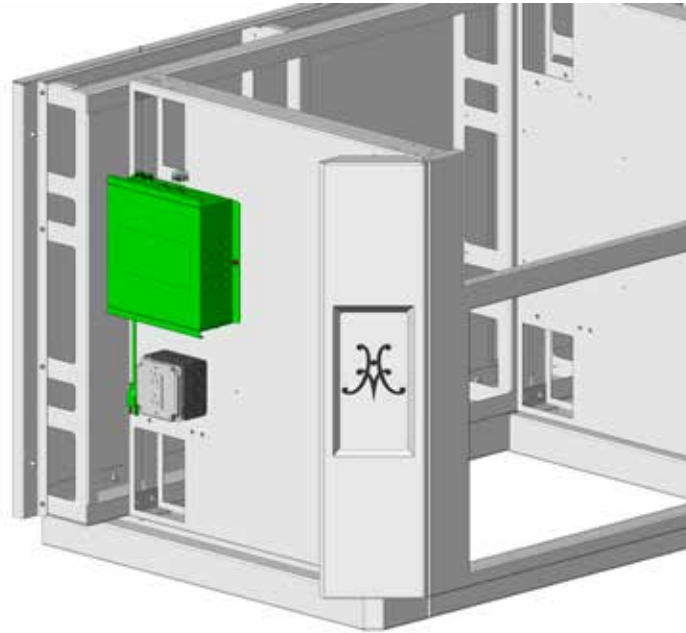


MOUNT GRILL ELECTRICAL BOX & LEFT PANEL

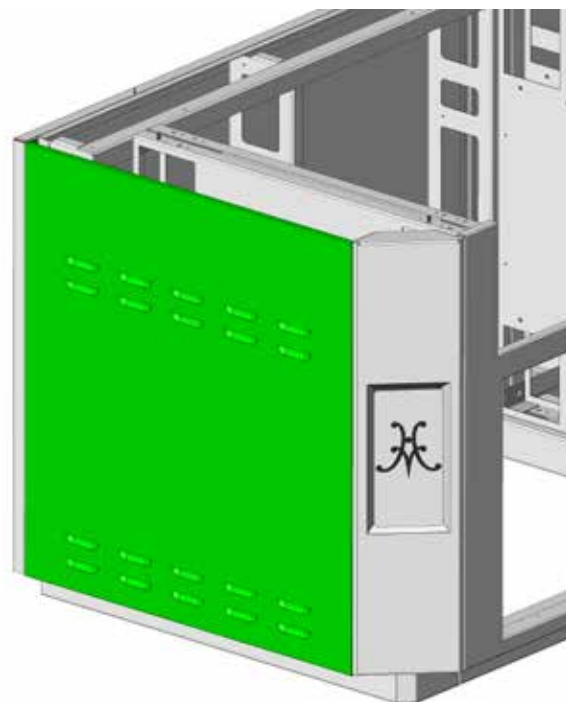


EN

12. Mount the electrical box that came with your Hestan grill as shown and secure with #10 self-drilling screws provided. Use the provided Wire Harness Extension (p/n 009938) to connect the box to the grill wire harness. Arrange the wires in such a way to prevent damage during installation of the grill, and from heat. At this point, it is also recommended the plumber run the gas connections for the Grill and Side Burner (see pg. 17). As mentioned before, a gas shut-off valve must be located in a readily accessible location for shut-off when the appliances are not in use, or for servicing. See reference photos at the end of this manual.



13. Mount the lift-off panel on the left side of the suite. There are pins on either side for locating. The louvers located on these side panels are needed for ventilation and must not be blocked. If this lift-off panel does not install/remove easily, you may need to adjust the corner assembly to accommodate (see Step 7).

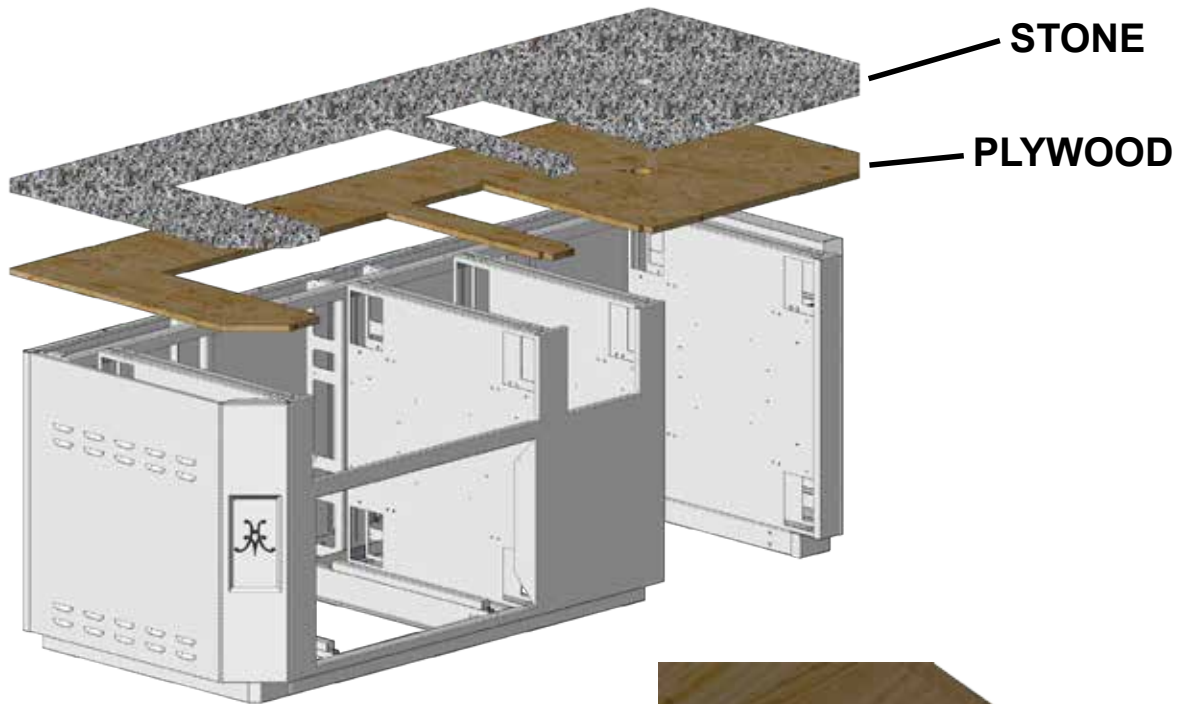




INSTALL SUPPORT STRUCTURE AND TOP

The Hestan Outdoor Living Suite DOES NOT include the stone countertop and plywood sub-structure. Template drawings are provided at the end of this manual with RECOMMENDED final stone dimensions. The stone installer will typically come out a few days prior to installation to go over the dimensions and make a physical template of the top before cutting the slab you have chosen. The stone countertop is supported beneath with a 3/4 inch thick plywood base (see below). Due to the outdoor application of this product, pressure-treated plywood is recommended prior to laying down the stone. Be sure to arrange for this plywood to be provided with the stone countertop at the time of installation.

14. Before installing the top, you should now go back and tighten all bolts everywhere else in the suite.
Install the plywood sub-structure first. Get assistance from another person to help lift the plywood and position correctly. (8 foot Outdoor Living Suite shown)



Use coated or stainless steel 1/2" long wood screws where needed to attach the plywood to the vertical walls in the small holes provided.



YOUR STONE INSTALLER WILL COMPLETE THE ASSEMBLY OF THE SUITE COUNTERTOP. YOU MAY THEN INSTALL THE APPLIANCES, CABINETS, AND OTHER PRODUCTS AS PER THE INSTRUCTION MANUALS SUPPLIED WITH THOSE PRODUCTS.

BAR TOP INSTALLATION (FOR MODELS WITH BAR)

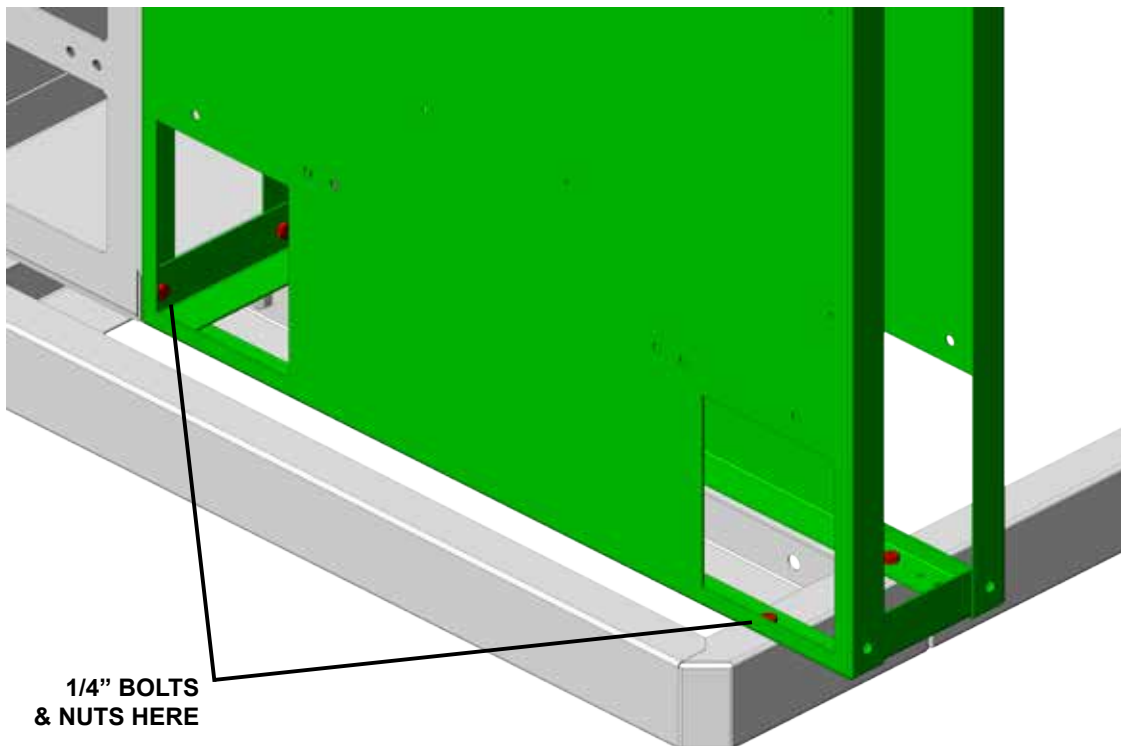


HESTAN OUTDOOR LIVING SUITES WHICH FEATURE A BAR TOP (GESB08 & GESB12) FOLLOW THE SAME STEPS AS DESCRIBED EARLIER IN THIS MANUAL. STEPS UNIQUE TO THESE MODELS ARE DETAILED BELOW.

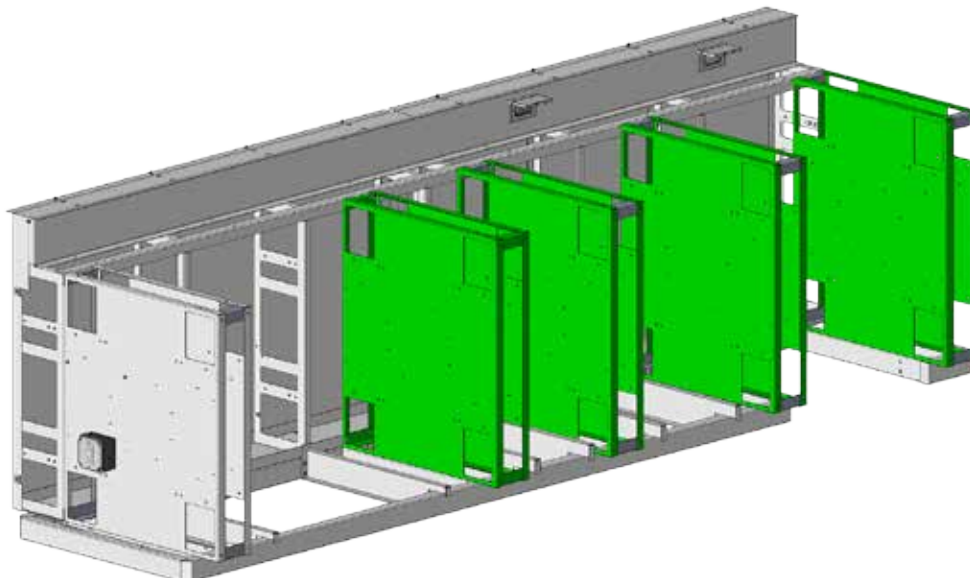
EN

BACK AND SUPPORT WALL ASSEMBLY

1. Attach support wall #1 to curb assembly and back wall as shown using 6 each 1/4-20 x 1/2" hex bolts and hex nuts where needed.



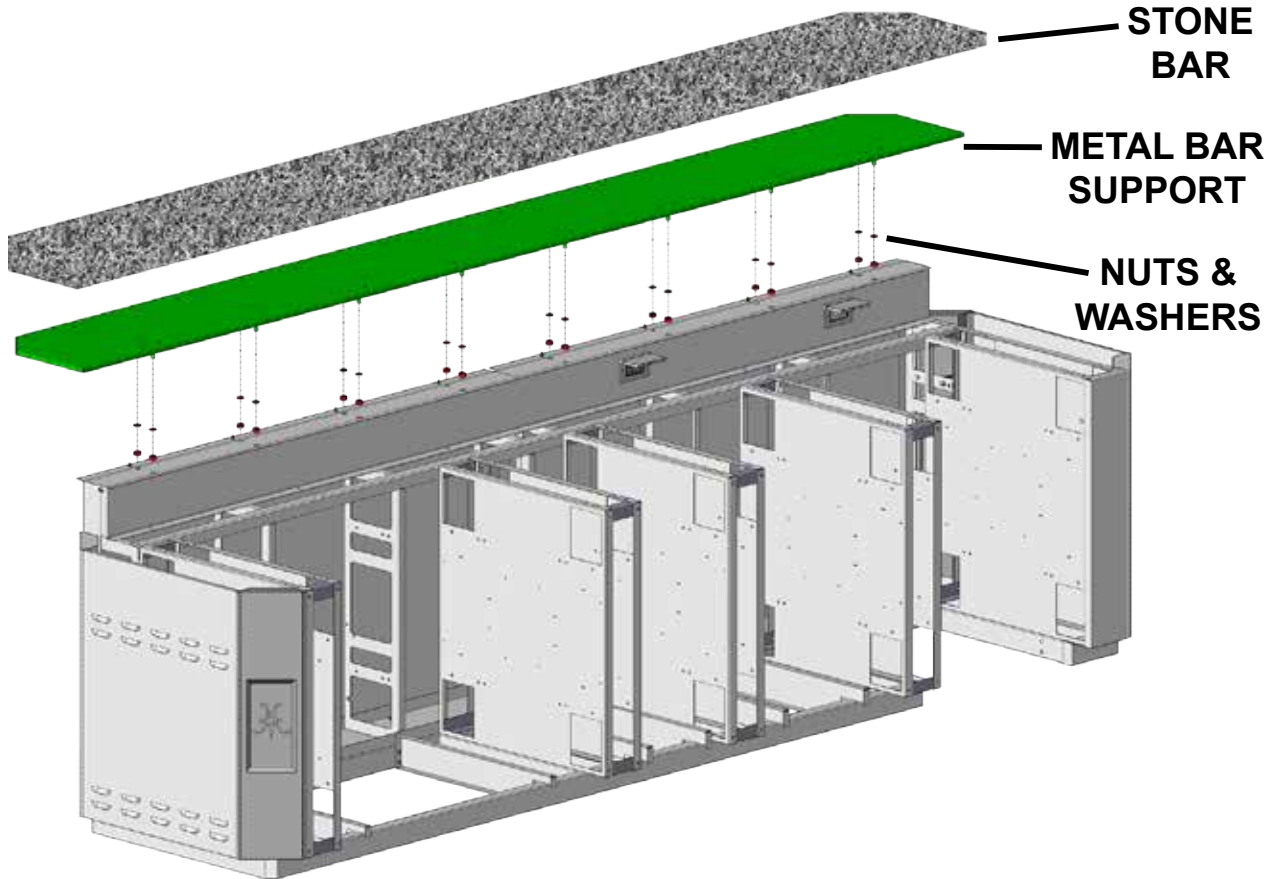
2. Install remaining support walls as you did in step 1. Each wall is numbered and has a corresponding number on the curb and/or rear wall for ease of locating. (12 foot Outdoor Living Suite with Bar shown).



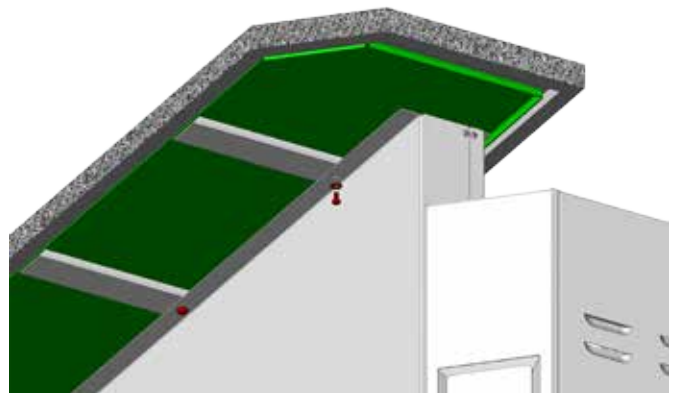
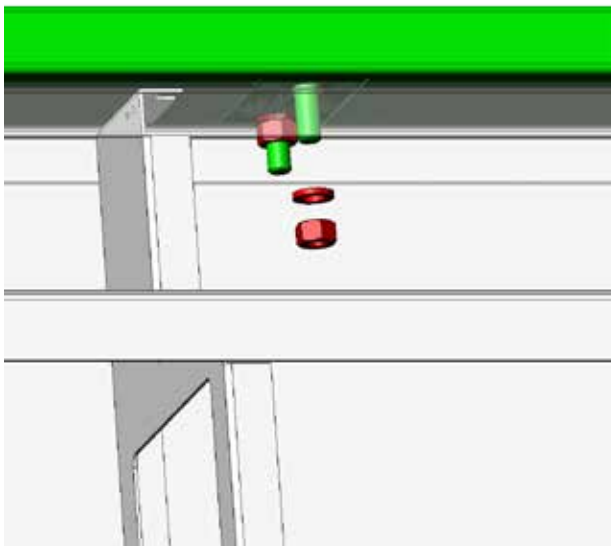


BAR TOP INSTALLATION *(continued)*

3. The stone bar top will be supported by a metal support structure as shown below. Get assistance from another person to help lift the support and position correctly.



4. While an assistant is holding the bar top in place, reach underneath and secure the top with 1/2" nuts and lock-washers provided. Then secure the large back panels with 1/4-20 x 1/2" long bolts and flat washers. The stone can then be installed with an adhesive provided by the installer.

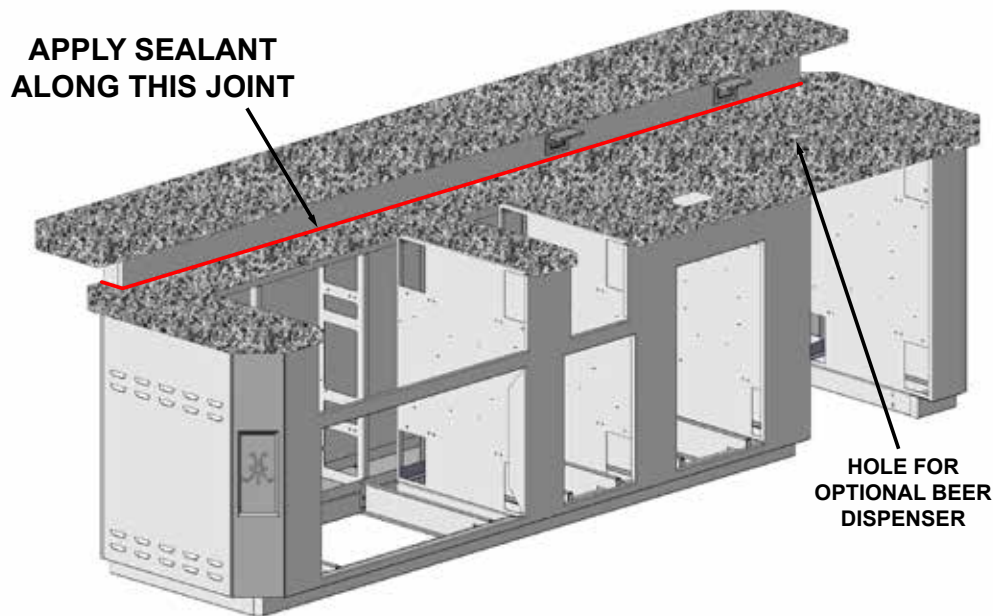


BAR TOP INSTALLATION *(continued)*



5. As a final step, apply a bead of clear silicone sealant along the joint indicated.

EN



GAS CONNECTIONS AND FINAL ASSEMBLY



ASSEMBLY OF THE SUITE IS NOW COMPLETE. YOU MAY NOW INSTALL THE APPLIANCES, CABINETS, AND OTHER PRODUCTS AS PER THE INSTRUCTION MANUALS SUPPLIED WITH THOSE PRODUCTS.

GAS SUPPLY

Gas connections should be made by a qualified plumber, or your professional outdoor appliance installer.

All fixed (non-mobile) appliances must be fitted with an accessible upstream gas shutoff valve as a means of isolating the appliance for emergency shut off and for servicing. See reference photo at the end of this manual.

Make certain new piping and connections have been made in a clean manner and have been purged so that piping compound, chips, etc. will not clog regulators, valves, orifices, or burners. Use pipe joint compound / thread sealant approved for natural and LP gases.

NEVER CONNECT THE GRILL OR SIDE BURNER TO AN UNREGULATED GAS SUPPLY. Before proceeding, ensure the appliance is fitted for Natural or Liquid Propane gas. Connecting to an improper gas type will result in poor performance and increased risk of damage or injury. Gas type and gas consumption (BTU per hour) for each burner type is shown on the rating label affixed to each appliance.

Installation of this cooking appliance must be made in accordance with local codes. In the absence of local codes, this unit should be installed in accordance with the National Fuel Gas Code No. Z223.1/ NFPA 54, Natural Gas and Propane Installation code CSA B149-1, or Propane Storage and Handling Code B149.2.

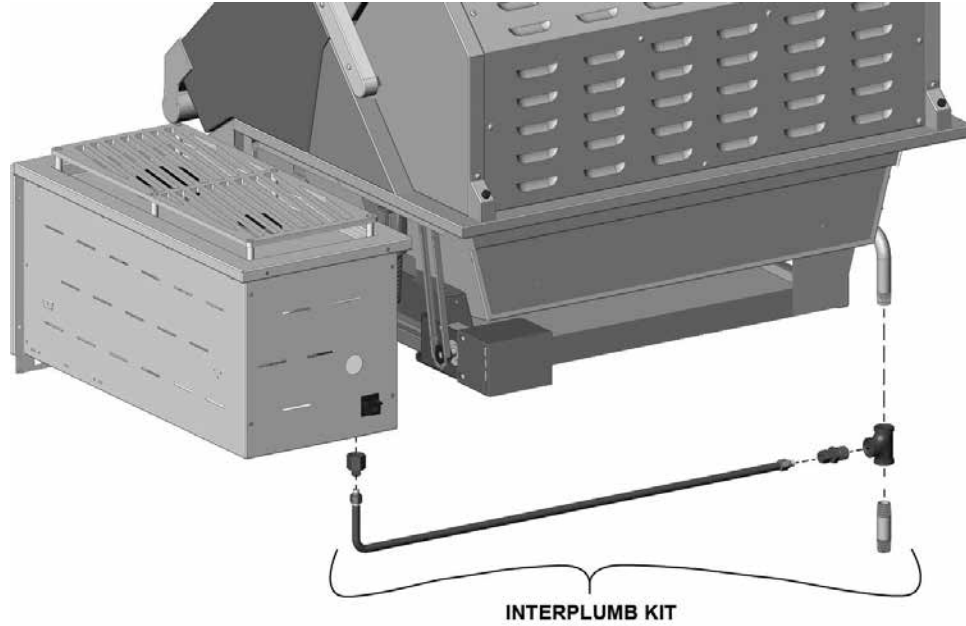
NOTE: See rating label for manifold pressure for the type of gas of your appliance.

NOTE: If your Suite is to be connected to a Whole-House LP Piped System, please read the GAS CONNECTIONS section of your Hestan Grill manual for information on this unique installation, and to contact Hestan Customer Service to order an LP Piped System Kit.

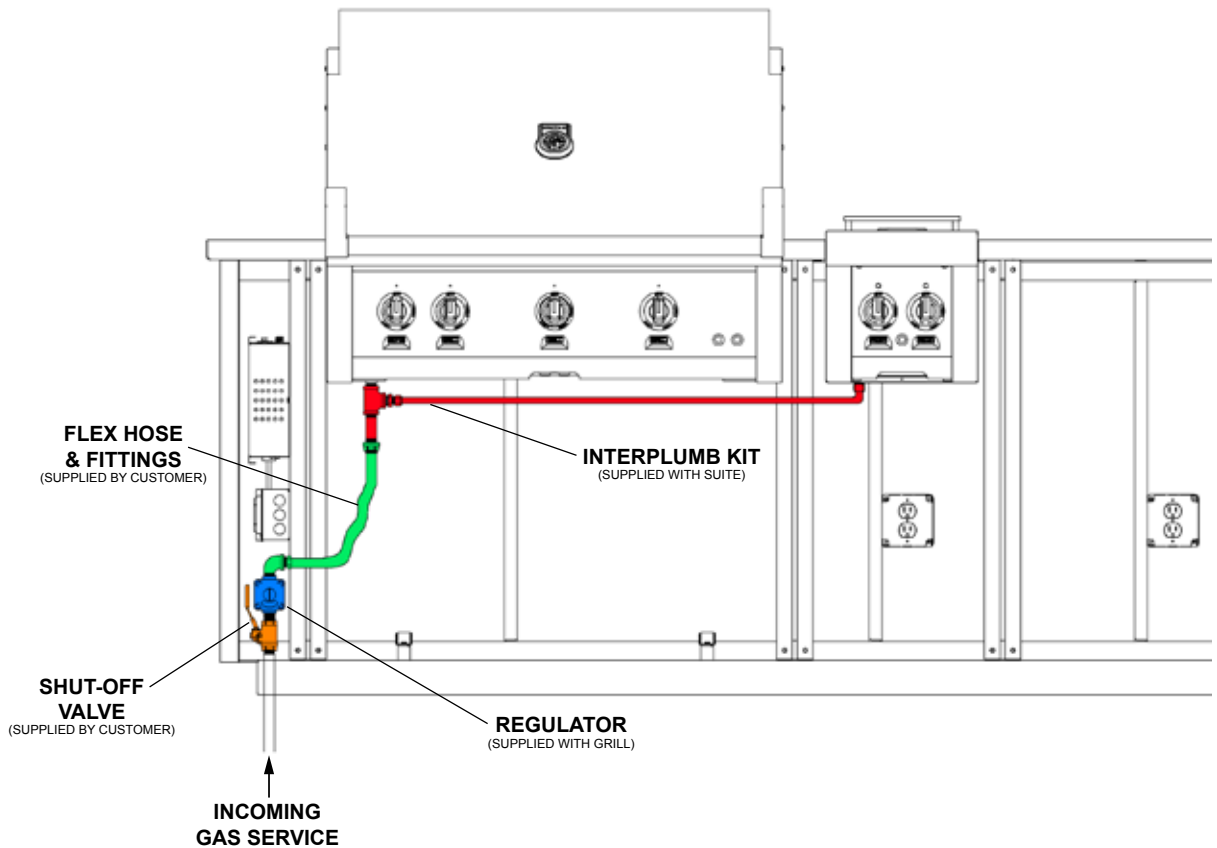


GAS CONNECTIONS AND FINAL ASSEMBLY *(continued)*

1. The Outdoor Living Suite is shipped with an interplumb kit to simplify connecting side burner and grill together as shown below. Using this interplumb kit allows the use of one regulator for both units..



2. The remaining gas connections shown below must be completed by the qualified plumber or professional outdoor appliance installer. See reference photo at the end of this manual for typical flex hose and shut-off valve location. Flex hose, shut-off valve, and misc. fittings must be provided by the homeowner and installed by the qualified plumber or professional outdoor appliance installer. The gas regulator is supplied with the grill & side burner.



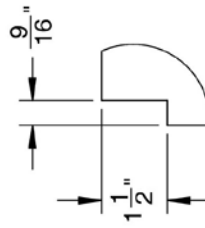
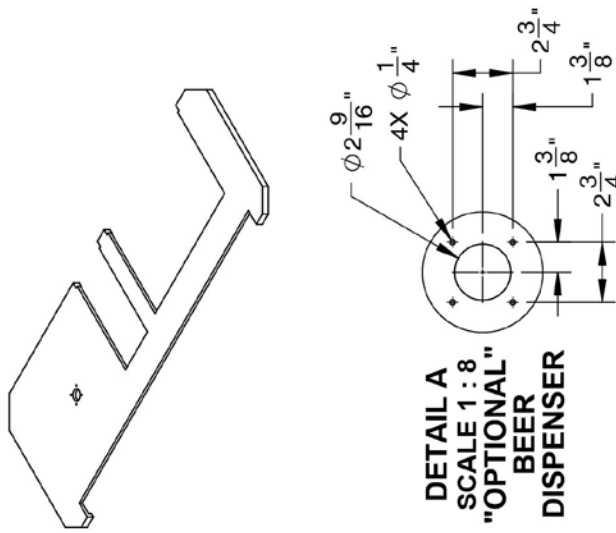
REFERENCE PHOTOS



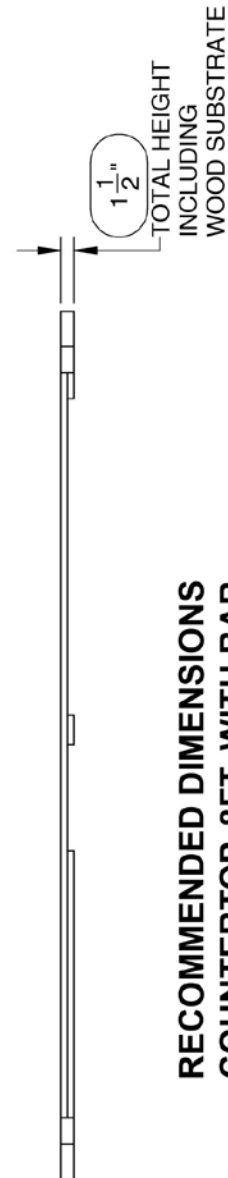
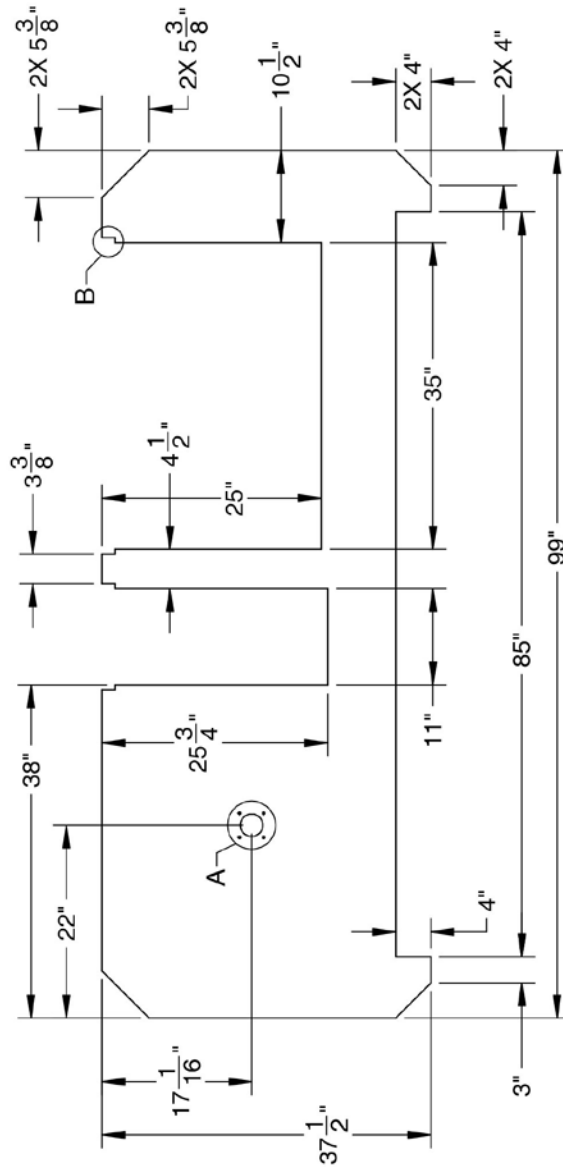
EN



ELECTRICAL AND GAS CONNECTIONS SUPPLIED BY CUSTOMER



DETAIL B
SCALE 1 : 4
4-PLCS

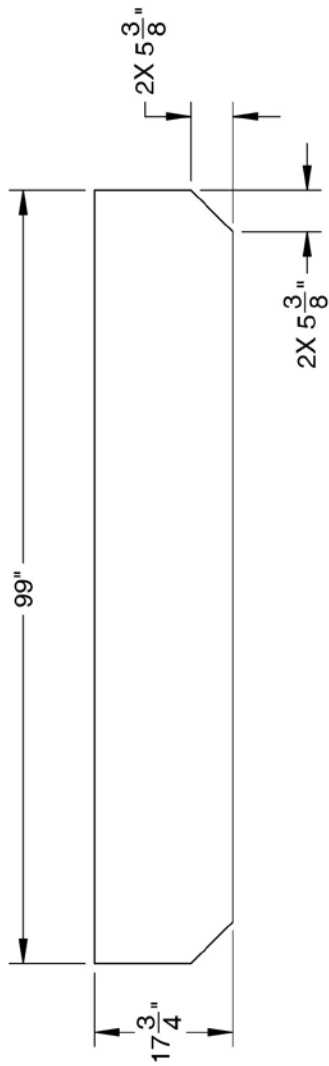
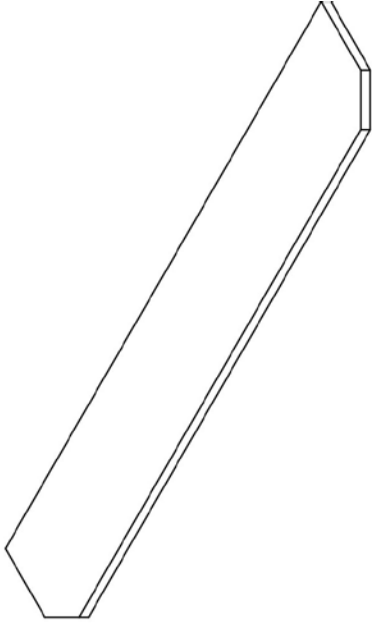


**RECOMMENDED DIMENSIONS
COUNTERTOP, 8FT, WITH BAR
(GESB08)**



RECOMMENDED STONE DIMENSIONS *(continued)*

EN

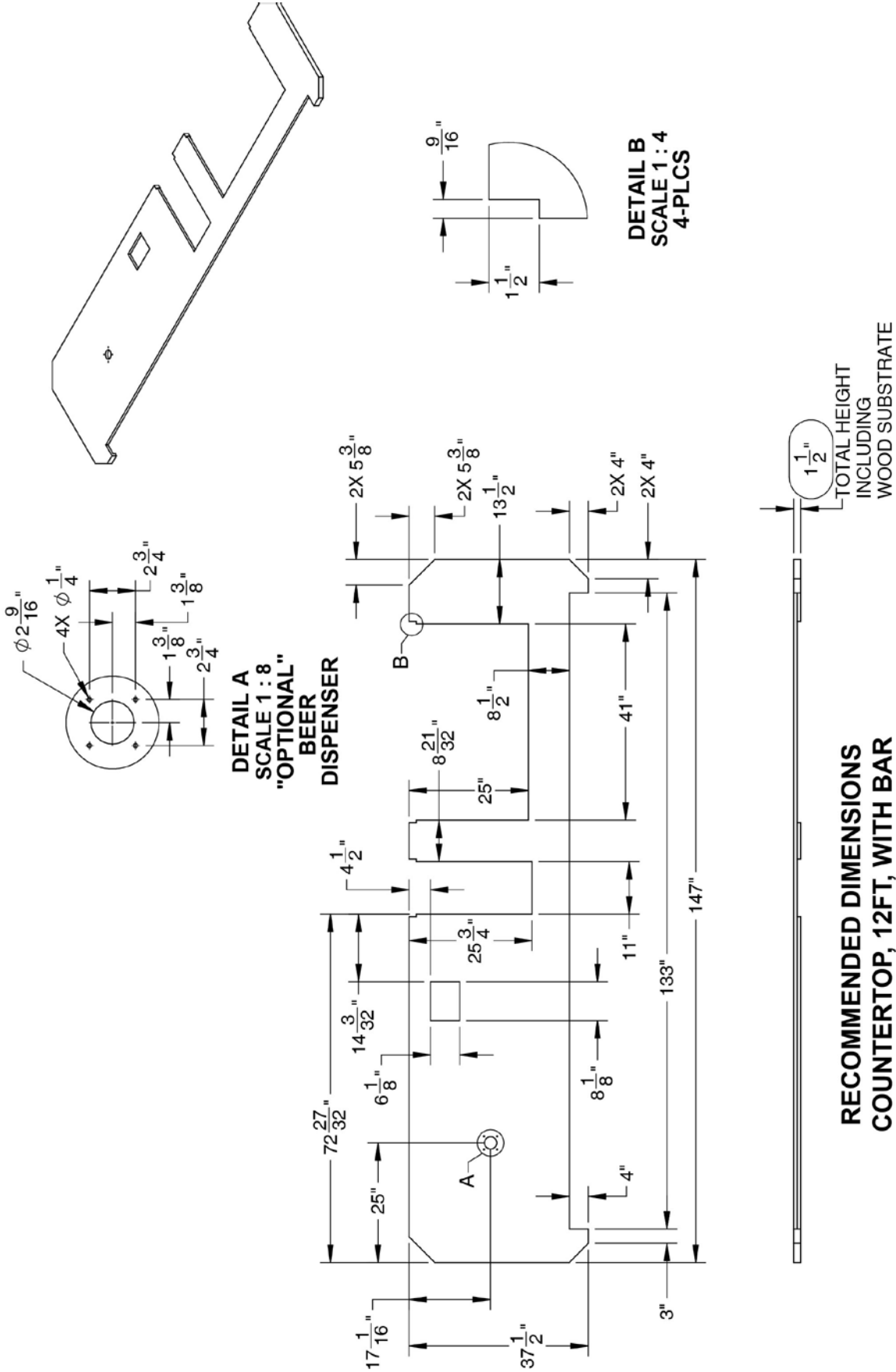


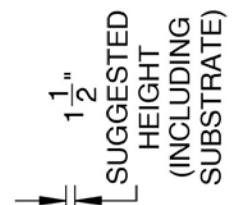
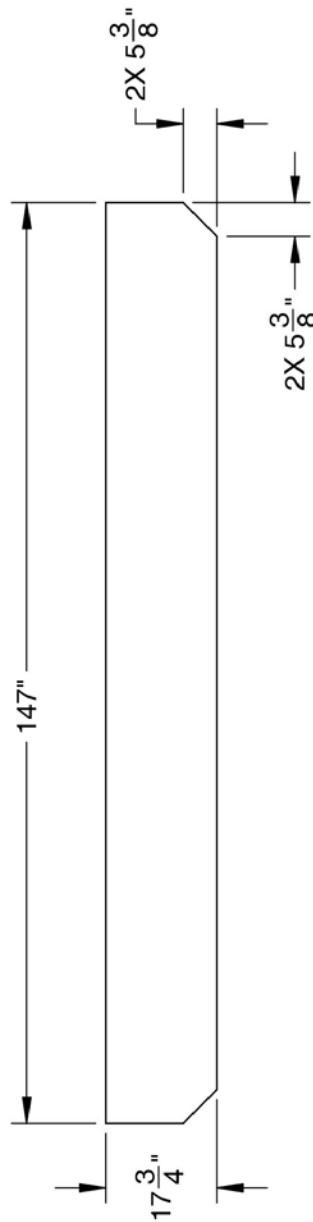
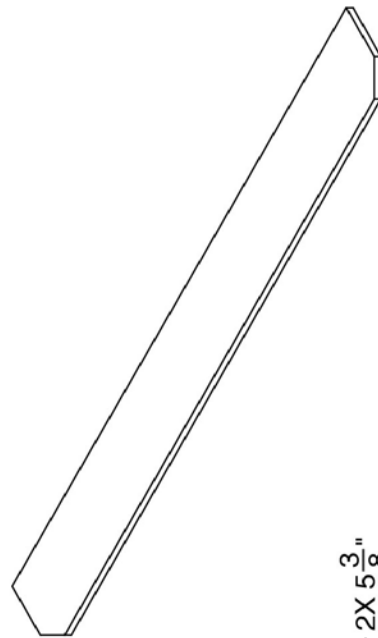
**RECOMMENDED DIMENSIONS
BAR TOP, 8FT
(GESB08)**



RECOMMENDED STONE DIMENSIONS *(continued)*

EN





**RECOMMENDED DIMENSIONS
BAR TOP, 12FT
(GESB12)**



PARTS LIST

Please visit the Hestan website to access the parts list for your Hestan Outdoor product:
www.hestanoutdoor.com.



SERVICE

All warranty and non-warranty repairs should be performed by qualified service personnel. To locate an authorized service agent in your area, contact your Hestan dealer, local representative, or the manufacturer. Before you call, please have the model number information ready. This information is shown on a sticker affixed to one of the inside vertical surfaces of your product.

Hestan Commercial Corporation
3375 E. La Palma Avenue
Anaheim, CA 92806
(888) 905-7463



LIMITED WARRANTY

WHAT THIS LIMITED WARRANTY COVERS

Hestan Commercial Corporation (“HCC”) warrants to the original consumer purchaser of a Hestan outdoor product (the “Product”) from an HCC authorized dealer that the Product is free from defective materials or workmanship for a period of one (1) year from the date of original retail purchase or closing date for new construction, whichever period is longer (“Limited Warranty Period”). HCC agrees to repair or replace, at HCC’s sole option, any part or component of the Product that fails due to defective materials or workmanship during the Limited Warranty Period. This Limited Warranty is not transferable and does not extend to anyone beyond the original consumer purchaser (“Purchaser”). This Limited Warranty is valid only on Products purchased and received from an HCC authorized dealer in the fifty United States, the District of Columbia and Canada. This Limited Warranty applies only to Products in non-commercial use and does not extend to Products used in commercial applications.

HOW TO OBTAIN WARRANTY SERVICE

If the Product fails during the Limited Warranty Period for reasons covered by this Limited Warranty, the Purchaser must immediately contact the dealer from whom the Product was purchased or HCC at 888.905.7463.

Purchaser is responsible for making the Product reasonably accessible for service or for paying the cost to make the Product reasonably accessible for service. Service is to be provided during normal business hours of the authorized Hestan Commercial Service Provider. To the extent Purchaser requests service outside of the normal business hours of the authorized Hestan Commercial Service Provider, Purchaser will pay the difference between regular rates and overtime or premium rates. Purchaser is required to pay all travel costs for travel beyond 50 miles (one way) from the nearest authorized Hestan Commercial Service Provider.

WHAT THIS LIMITED WARRANTY DOES NOT COVER:

This Limited Warranty does not cover and HCC will not be responsible for and will not pay for: damage to or defects in any Product not purchased from an HCC authorized dealer; color variations in color finishes or other cosmetic damage; failure or damage from abuse, misuse, accident, fire, natural disaster, commercial use of the Product, or loss of electrical power or gas supply to the Product; damage from alteration, improper installation, or improper operation of the Product; damage from improper or unauthorized repair or replacement of any part or component of the Product; damage from service by someone other than an authorized agent or representative of the Hestan Commercial Service Network; normal wear and tear; damage from exposure of the Product to a corrosive atmosphere containing chlorine, fluorine, or any other damaging chemicals; damage resulting from the failure to provide normal care and maintenance to the Product; damage HCC was not notified of within the Limited Warranty Period; and incidental and consequential damages caused by any defective material or workmanship.

ARBITRATION:

This Limited Warranty is governed by the Federal Arbitration Act. Any dispute between Purchaser and HCC regarding or related to the Product or to this Limited Warranty shall be resolved by binding arbitration only on an individual basis with Purchaser. Arbitration will be conducted by the American Arbitration Association (“AAA”) in accordance with its Consumer Arbitration Rules or by JAMS. The arbitration hearing shall be before one arbitrator appointed by the AAA or JAMS. The arbitrator shall not conduct class arbitration and Purchaser shall not bring any claims against HCC in a representative capacity on behalf of others.

LIMITED WARRANTY *(continued)*



EN

LIMITATION OF LIABILITY:

This Limited Warranty is the final, complete and exclusive agreement between HCC and Purchaser regarding the Product.

THERE ARE NO EXPRESS WARRANTIES OTHER THAN THOSE LISTED AND DESCRIBED ABOVE. NO WARRANTIES WHETHER EXPRESS OR IMPLIED, INCLUDING, BUT NOT LIMITED TO, ANY IMPLIED WARRANTIES OF MERCHANTABILITY OR FITNESS FOR A PARTICULAR PURPOSE SHALL APPLY AFTER THE LIMITED WARRANTY PERIOD STATED ABOVE. NO OTHER EXPRESS WARRANTY OR GUARANTY GIVEN BY ANY PERSON, FIRM OR CORPORATION WITH RESPECT TO THIS PRODUCT SHALL BE BINDING ON HCC. HCC ASSUMES NO RESPONSIBILITY THAT THE PRODUCT WILL BE FIT FOR ANY PARTICULAR PURPOSE, EXCEPT AS OTHERWISE PROVIDED BY APPLICABLE LAW.

HCC SHALL NOT BE LIABLE FOR LOSS OF REVENUE OR PROFITS, FAILURE TO REALIZE SAVINGS OR OTHER BENEFITS, OR ANY OTHER SPECIAL, INCIDENTAL OR CONSEQUENTIAL DAMAGES CAUSED BY THE USE, MISUSE OR INABILITY TO USE THE PRODUCT, REGARDLESS OF THE LEGAL THEORY ON WHICH THE CLAIM IS BASED, AND EVEN IF HCC HAS BEEN ADVISED OF THE POSSIBILITY OF SUCH DAMAGES. NO RECOVERY OF ANY KIND AGAINST HCC SHALL BE GREATER IN AMOUNT THAN THE PURCHASE PRICE OF THE PRODUCT.

WITHOUT LIMITING THE FOREGOING, YOU ASSUME ALL RISK AND LIABILITY FOR LOSS, DAMAGE OR INJURY TO YOU AND YOUR PROPERTY AND TO OTHERS AND THEIR PROPERTY ARISING OUT OF THE USE, MISUSE OR INABILITY TO USE THE PRODUCT NOT CAUSED DIRECTLY BY THE NEGLIGENCE OF HCC. THIS LIMITED WARRANTY STATES YOUR EXCLUSIVE REMEDY.

No oral or written representation or commitment given by anyone, including but not limited to, an employee, representative or agent of HCC will create a warranty or in any way increase the scope of this express Limited One Year Warranty. If there is any inconsistency between this Limited Warranty and any other agreement or statement included with or relating to the Product, this Limited Warranty shall govern. If any provision of this Limited Warranty is found invalid or unenforceable, it shall be deemed modified to the minimum extent necessary to make it enforceable and the remainder of the Limited Warranty shall remain valid and enforceable according to its terms.

INTERACTION OF LAWS WITH THIS LIMITED WARRANTY:

Some states, provinces or territories may not allow limitations on how long an implied warranty lasts or the exclusion or limitation of incidental or consequential damages, so the above limitations or exclusions may not apply to you. Some states, provinces or territories may provide for additional warranty rights and remedies, and the provisions contained in this Limited Warranty are not intended to limit, modify, take away from, disclaim or exclude any mandatory warranty requirements provided by states, provinces or territories, including certain implied warranties. This warranty gives you specific legal rights, and you may also have other rights which vary depending on location.

Any questions about this Limited Warranty may be directed to
Hestan Commercial Corporationf at (888) 905-7463

RETAIN THIS MANUAL FOR FUTURE REFERENCE



Hestan Commercial Corporation

3375 E. La Palma Ave
Anaheim, CA 92806
(888) 905-7463