



2017 Hestan Outdoor & Aspire by Hestan Retail Price Book



Hestan Outdoor & Aspire by Hestan
Retail Price Book
Effective July 1, 2017
800-292-8374
www.pinnacleexpress.com



Hestan is part of the Meyer culinary family. Meyer Corporation is the largest cookware supplier in the U.S. and the second largest cookware manufacturer operation in the world. Through over 125 branded and private label cookware lines, Meyer has led the industry with quality and innovation - including the first dishwasher-safe hard-anodized nonstick cookware.

Everyone at Meyer takes personal pride in creating the highest quality culinary products possible. The culinary world is the heart of our company culture. CEO Stanley Cheng created Hestan Vineyard in Napa Valley to pursue his passion for perfection in wine - thus a worthy namesake for Meyer's premier commercial kitchen line.



“EXECUTION SHOULD ALWAYS EXCEED EXPECTATIONS.”

Grilling is a serious culinary endeavor. Brines. Marinades. Precision. Heat. Hestan delivers the consistent control vital to perfecting everything from shrimp skewers to leg of lamb. It’s American-made durability that weathers year-round use.



Chef Thomas Keller

HESTAN OUTDOOR, ASPIRE BY HESTAN AND OUTDOOR ISLAND SUITES

Hestan Outdoor



Built-In Grills - Page 11



Tower Carts - Page 12



Deluxe Grills - Page 13-14

Aspire by Hestan

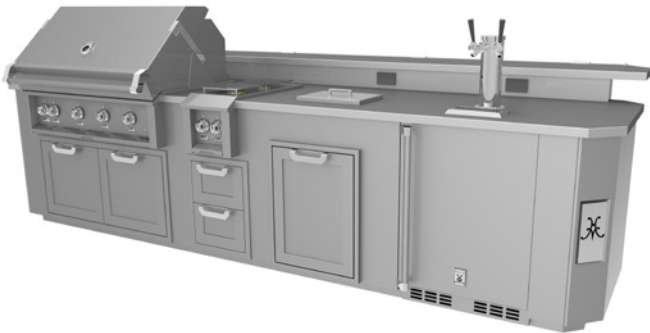


Built-In Grills - Page 30



Tower Carts - Page 31

Hestan Outdoor Island Suites



Page 41

TABLE OF CONTENTS

	Page
Hestan Outdoor	7
Innovation & Performance	8
Color Options	10
Built-In Grills	11
Tower Carts	12
Deluxe Grills	13
Side Burners	15
Storage and Clean-up	16
Refrigeration	18
Refreshment Centers & Grill Covers	19
Refrigeration & Island Accessories Index	20
Dimension & Specifications	22
Aspire by Hestan	25
Standard Colors	27
Innovation & Performance	28
Built-In Grills	30
Tower Carts	31
Side Burners	32
Storage and Clean-up	33
Refrigeration & Cooling Products	34
Refrigeration & Island Accessories Index	35
Dimensions & Specifications	37
Hestan Outdoor Island Suites	41
Dimensions & Specifications	43
Hestan Warranty	44
Aspire by Hestan Warranty	46
Terms and Conditions	48
Product Registration	50

BETTER THAN ANY STEAKHOUSE

A COARSER SALT RUB COULD MAKE IT JUICIER, THOUGH.

Introducing Hestan Outdoor, for those who have an obsession with perfection. We tinkered, tested and tweaked until we came up with the most powerful and reliable grill available. 25,000 BTU burners deliver the perfect sear. Ceramic radiant briquettes minimize flare-ups. We laser cut our grates in-house for heavy-duty reliability. And the built-in rotisserie really works (really well). And since we're perfectionist, we build each and every grill from scratch at Hestan Headquarters in Anaheim, California. We wouldn't entrust our recipe to anyone else.





Hestan Outdoor



HESTAN OUTDOOR INNOVATION & PERFORMANCE



Heavy Duty, 304 - 16 Gauge, Stainless Steel Construction Featuring - **Horizon™ Hood Feature - Patent Pending**

- Entire Hestan Outdoor Series features weather / salt resistant **304 Stainless Steel Construction**
- Hood opens easily with built-in assist mechanism
- Hood then **“holds open”** at any height desired by the user
- Hestan Outdoor Series features full **Double-Wall Construction** on all sides



Motion Activated Stadium **Underhood Lighting™ - Patent Pending**

- Illuminates automatically as hood canopy opens past 30 degrees
- Two 20-Watt Halogen Stadium Lights provide bright full coverage
- Allows you to keep an eye on everything throughout your cooking experience



Innovative Control Panel Design

- Front Control Panel with separate LED lighting control
- Exclusive **Marquise™ Accented Control Panel**



Hestan Outdoor Series available in **12 In-stock Colors** - Including **Brushed Stainless Steel**



Exclusive **DiamondCut™ Grates and Warming Rack - Patent Pending**

- 5/16” DiamondCut double-sided stainless-steel cooking grates
- Ensures even heat distribution
- Strategic easy-lift openings for quick removal and easy cleaning
- DiamondCut™ stainless steel warming rack
 - Can be set at three cooking positions
 - Concealed storage when not in use
- Durable construction - on both the grates and warming rack
- Lifetime Warranty - on both on both the grates and warming rack

HESTAN OUTDOOR INNOVATION & PERFORMANCE



Unique Reversible Briquette System

- Reversible “Flip-to-cook” and “Flip-to-clean” Design
- Monogrammed ceramic briquette design promotes even heating, and reduces flare-ups



High-Performance Trellis™ 25,000 BTU Burner - Patent Pending

- High performance **321 Stainless** Trellis™ Burner provides excellent performance for any cooking need
- Trellis™ Burner design brings heat source closer together for better performance and less cold spots between burners
- Patented design allows for precision control of cooking temperature
- **Durable design with 500+ hours of salt spray testing**
- Lifetime warranty on Trellis™ Burner
- Variable Sear 25,000 BTU Burner
 - High-performance variable infrared sear burner
 - Allows for searing and other “direct heat” cooking needs
 - Lifetime Warranty on Variable Sear Burner



Industry Exclusive Multi-Purpose Infrared Rotisserie System - Patent Pending

- Multi-purpose built-in rotisserie/searing/finishing burner with 12,000 - 18,000 BTU of power depending on model.
- Simple touch “on” function
- Unique Overhead Design converts rotisserie burner into a multi-function broiling, searing and finishing unit
- Built-in motor
- Built-in storage compartment for rotisserie rod
- Lifetime Warranty on rotisserie burner



Fast Start Hot Surface Ignition System - For Added Safety

- Quick Start Hot Surface Ignition System with burner Lighting Assist Function
- Assist Function stays active for 8 seconds to ensure proper and safe ignition utilizing a time-delayed relay

Product Availability, Warranty, After-Market Support, and Manufacturing

- Pinnacle maintains large inventory of Hestan and Aspire by Hestan products to support the US Market
- Hestan has the best Warranty Program in the industry – featuring lifetime warranty on welded body, DiamondCut™ Grates and Warming Racks, Trellis™ Burner, Variable Sear and Rotisserie Burners.
- Hestan has a robust after-market support structure to meet your future needs
- All Hestan products are proudly made in the USA



HESTAN OUTDOOR COLOR OPTIONS

Hestan Outdoor offers twelve signature colors for your built-in and deluxe grills, tower carts and accessories. Their signature color finishes offer a spectrum from classic to vibrant. All finishes are powder coated on high-grade stainless steel to withstand the elements.



HOW TO ORDER:

STEP 1: Select Grill Model	STEP 2: Select Fuel Type (NG or LP)	STEP 3: Select Color & Add Color Charge
--------------------------------------	---	---

EXAMPLE:

GABR30		-LP		-YW	
ACRONYM	COLOR	ACRONYM	COLOR	ACRONYM	COLOR
-BG	TIN ROOF (BURGUNDY)	-TQ	BORA BORA (TURQUOISE)	-BU	PRINCE (BLUE)
-RD	MATADOR (RED)	-PP	LUSH (PURPLE)	-BK	STEALTH (BLACK)
-OR	CITRA (ORANGE)	-WH	FROTH (WHITE)	N/A	STEELETTO Stainless Steel Finish
-YW	SOL (YELLOW)				
-GR	GROVE (GREEN)				
-GG	PACIFIC FOG (DARK GRAY)				

HESTAN OUTDOOR BUILT-IN GRILLS



- Available in 30", 36", and 42" widths
- Horizon™ hood with built-in spring-assisted hinges to hold at desired heights
- Motion activated Stadium™ halogen under-hood lighting
- Multi-function built-in ceramic infrared rotisserie/searing/finishing burner from 12,500 to 18,000 BTU (depending on models) with simple touch on function
- High performance 321 stainless steel Trellis™ burner at 25,000 BTU
- 5/16" thick DiamondCut™ lasered in-house double-sided stainless steel grates
- **All colors in-stock**

MODEL	DESCRIPTION	MAP (Builder)	MSRP (Retail)
HS-GABR30	Grill, Built-in, (2) Trellis, Rotisserie, 30", LP or NG	\$ 4,299	\$ 4,499
HS-GMBR30	Grill, Built-in, (1) Trellis, (1) Sear, Rotisserie, 30", LP or NG	\$ 4,399	\$ 4,599
HS-GSBR30	Grill, Built-in, (2) Sear, Rotisserie, 30", LP or NG	\$ 4,749	\$ 4,999
HS-GABR36	Grill, Built-in, (3) Trellis, Rotisserie, 36", LP or NG	\$ 5,549	\$ 5,849
HS-GMBR36	Grill, Built-in, (2) Trellis, (1) Sear, Rotisserie, 36", LP or NG	\$ 5,649	\$ 5,949
HS-GSBR36	Grill, Built-in, (3) Sear, Rotisserie, 36", LP or NG	\$ 5,999	\$ 6,299
HS-GABR42	Grill, Built-in, (4) Trellis, Rotisserie, 42", LP or NG	\$ 6,099	\$ 6,399
HS-GMBR42	Grill, Built-in, (3) Trellis, (1) Sear, Rotisserie, 42", LP or NG	\$ 6,199	\$ 6,499
HS-GSBR42	Grill, Built-in, (4) Sear, Rotisserie, 42", LP or NG	\$ 6,549	\$ 6,899

OPTIONS AND ACCESSORIES

MODEL	DESCRIPTION	MAP (Builder)	MSRP (Retail)
HS-AGIJ30	Insulated Jacket, 30"	\$ 739	\$ 779
HS-AGIJ36	Insulated Jacket, 36"	\$ 769	\$ 809
HS-AGIJ42	Insulated Jacket, 42"	\$ 799	\$ 849
See Chart PG. 10	Grill, Built-in, Color Charge, 30" or 36" or 42"	\$ 249	\$ 279
HS-AGCK-NG	Conversion Kit, NG	\$ 99	\$ 109
HS-AGCK-LP	Conversion Kit, LP	\$ 79	\$ 89
HS-AGSMS	Smoker Set	\$ 69	\$ 79
HS-AGVC30	Premium Cover, Built-in, 30"	\$ 169	\$ 179
HS-AGVC36	Premium Cover, Built-in, 36"	\$ 199	\$ 209
HS-AGVC42	Premium Cover, Built-in, 42"	\$ 199	\$ 209
HS-AGCKLPP	In-line LP Regulator	\$ 63	\$ 66

HESTAN OUTDOOR TOWER CART



- Available in 30", 36", and 42" widths
- Recessed Marquise™ accented panels with commercial grade handles
- Marquise™ paneled fold-down side shelves for extra work space
- 2-door or 1-door + 2-drawer configurations
- Full extension drawer slides with soft close capability
- Soft close door hinges with alignment adjustability
- Commercial grade gray casters with 360 degrees of maneuverability for the smoothest cart movement
- Standard pullout tray with slides to store LP gas tank and also convertible to trash storage

*Grill Head Sold Separately

MODEL	DESCRIPTION	MAP (Builder)	MSRP (Retail)
HS-GCD30	Double Door Cart, 30"	\$ 1,150	\$ 1,200
HS-GCR30	Double Drawer and Door Cart, 30"	\$ 1,600	\$ 1,700
HS-GCD36	Double Door Cart, 36"	\$ 1,250	\$ 1,300
HS-GCR36	Double Drawer and Door Cart, 36"	\$ 1,700	\$ 1,800
HS-GCR42	Double Drawer and Door Cart, 42"	\$ 1,800	\$ 1,900

OPTIONS AND ACCESSORIES

MODEL	DESCRIPTION	MAP (Builder)	MSRP (Retail)
HS-AGVC30C	Premium Cover, Tower Cart, 30"	\$ 249	\$ 259
HS-AGVC36C	Premium Cover, Tower Cart, 36"	\$ 259	\$ 269
HS-AGVC42C	Premium Cover, Tower Cart, 42"	\$ 289	\$ 309
See Chart PG. 10	Tower Cart, Color Charge, 30"	\$ 349	\$ 369
See Chart PG. 10	Tower Cart, Color Charge, 36"	\$ 449	\$ 469
See Chart PG. 10	Tower Cart, Color Charge, 42"	\$ 579	\$ 599

HESTAN OUTDOOR DELUXE GRILLS



- Available in 30", 36", and 42" grill sizes with side burner or worktop
- Marquise™ accented side cart handle and commercial end caps
- 12" built-in double side burners or stainless steel worktop
- Flip-down front panel with commercial grade handle for access to gas tank and pullout drawer
- Interior pullout drawer to store grilling tools
- Extra-large gray front wheels and commercial grade gray casters with 360° degrees of maneuverability for the smoothest cart movement
- Standard pullout tray for LP gas tank



HESTAN OUTDOOR DELUXE GRILLS

MODEL	DESCRIPTION	MAP (Builder)	MSRP (Retail)
HS-GABR30CX	Grill, (2) Trellis, Rotisserie, Worktop, 30", LP or NG	\$ 6,549	\$ 6,899
HS-GABR30CX2	Grill, (2) Trellis, Rotisserie, Double Side Burner, 30", LP or NG	\$ 7,999	\$ 8,399
HS-GMBR30CX	Grill, (1) Trellis, (1) Sear, Rotisserie, Worktop, 30", LP or NG	\$ 6,649	\$ 6,999
HS-GMBR30CX2	Grill, (1) Trellis, (1) Sear, Rotisserie, Double Side Burner, 30", LP or NG	\$ 8,149	\$ 8,549
HS-GSBR30CX	Grill, (2) Sear, Rotisserie, Worktop, 30", LP or NG	\$ 6,999	\$ 7,349
HS-GSBR30CX2	Grill, (2) Sear, Rotisserie, Double Side Burner, 30", LP or NG	\$ 8,449	\$ 8,899
HS-GABR36CX	Grill, (3) Trellis, Rotisserie, Worktop, 36", LP or NG	\$ 7,899	\$ 8,299
HS-GABR36CX2	Grill, (3) Trellis, Rotisserie, Double Side Burner, 36", LP or NG	\$ 9,399	\$ 9,849
HS-GMBR36CX	Grill, (2) Trellis, (1) Sear, Rotisserie, Worktop, 36", LP or NG	\$ 7,999	\$ 8,399
HS-GMBR36CX2	Grill, (2) Trellis, (1) Sear, Rotisserie, Double Side Burner, 36", LP	\$ 9,499	\$ 9,949
HS-GMBR36CX2	Grill, (2) Trellis, (1) Sear, Rotisserie, Double Side Burner, 36", NG	\$ 9,499	\$ 9,949
HS-GSBR36CX	Grill, (3) Sear, Rotisserie, Deluxe Cart with Worktop, 36", LP or NG	\$ 8,349	\$ 8,749
HS-GSBR36CX2	Grill, (3) Sear, Rotisserie, Double Side Burner, 36", LP or NG	\$ 9,849	\$ 10,349
HS-GABR42CX	Grill, (4) Trellis, Rotisserie, Worktop, 42", LP or NG	\$ 8,599	\$ 9,049
HS-GABR42CX2	Grill, (4) Trellis, Rotisserie, Double Side Burner, 42", LP or NG	\$ 10,049	\$ 10,549
HS-GMBR42CX	Grill, (3) Trellis, (1) Sear, Rotisserie, Worktop, 42", LP or NG	\$ 8,699	\$ 9,149
HS-GMBR42CX2	Grill, (3) Trellis, (1) Sear, Rotisserie, Double Side Burner, 42", LP or NG	\$ 10,149	\$ 10,649
HS-GSBR42CX	Grill, (4) Sear, Rotisserie, Worktop, 42", LP or NG	\$ 9,049	\$ 9,499
HS-GSBR42CX2	Grill, (4) Sear, Rotisserie, Double Side Burner, 42", LP or NG	\$ 10,499	\$ 10,999

OPTIONS AND ACCESSORIES

MODEL	DESCRIPTION	MAP (Builder)	MSRP (Retail)
See Chart PG. 10	Grill, Deluxe Cart, Color Charge, 30"	\$ 799	\$ 849
See Chart PG. 10	Grill, Deluxe Cart, Color Charge, 36"	\$ 899	\$ 949
See Chart PG. 10	Grill, Deluxe Cart, Color Charge, 42"	\$ 1,029	\$ 1,099
HS-AGCK-NG	Conversion Kit, NG,	\$ 99	\$ 109
HS-AGCK-LP	Conversion Kit, LP,	\$ 79	\$ 89
HS-AGSMS	Smoker Set	\$ 69	\$ 79
HS-AGVC30X	Premium Cover, Tower Cart with Side Burner or Deluxe Grill, 30"	\$ 289	\$ 309
HS-AGVC36X	Premium Cover, Tower Cart with Side Burner or Deluxe Grill, 36"	\$ 299	\$ 319
HS-AGVC42X	Premium Cover, Tower Cart with Side Burner or Deluxe Grill, 42"	\$ 319	\$ 349

HESTAN OUTDOOR SIDE BURNERS



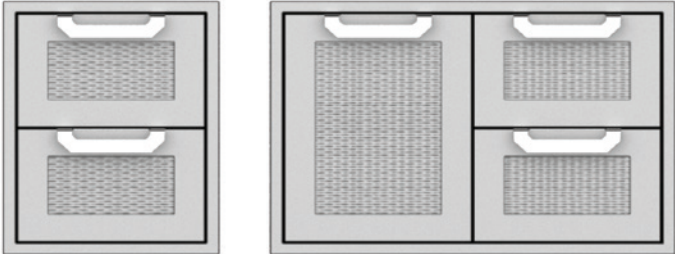
- Single or double side sealed burner(s) configurations
- Double side burners: 20,000 BTU brass front burner and 10,000 BTU brass rear burner
- Single side burner: 20,000 BTU brass sealed burner
- 5/16" thick DiamondCut™ grate
- Sealed burner bowl with drain tube for easy cleaning
- Electronic ignition system with re-ignition capability
- LED lighting on front control panel
- All colors in-stock

MODEL	DESCRIPTION	MAP (Builder)	MSRP (Retail)
HS-AGB121	Single Side Burner, Built-in, 12", LP or NG	\$ 999	\$ 1,049
HS-AGB122	Double Side Burner, Built-in or Cart-Attached, 12", LP or NG	\$ 1,449	\$ 1,499
HS-AGPB24	Power Burner, Built-in, 24", LP or NG	Available Fall 2017	

OPTIONS AND ACCESSORIES

MODEL	DESCRIPTION	MAP (Builder)	MSRP (Retail)
See Chart PG. 10 Side Burner, Color Charge, 12"		\$ 119	\$ 129
HS-AGBPK	Panel Kit, Side Burner (Double Side Burner Only)	NEW \$ 209	\$ 219
HS-AGBCK-NG	Conversion Kit, NG, Side Burner	\$ 79	\$ 89
HS-AGBCK-LP	Conversion Kit, LP, Side Burner	\$ 59	\$ 69
HS-AGVCSB	Premium Cover, Single Side Burner, Built-In, 12"	\$ 89	\$ 99
HS-AGVCDB	Premium Cover, Double Side Burner, Built-In, 12"	\$ 109	\$ 119

HESTAN OUTDOOR STORAGE AND CLEAN UP



- Heavy gauge welded body construction
- Recessed Marquise™ accented panels with commercial grade handles
- Soft close door hinges with alignment adjustability

IN-STOCK COLORS

ACRONYM	COLOR
-OR	CITRA (ORANGE)
-RD	MATADOR (RED)

ACRONYM	COLOR
-BU	PRINCE (BLUE)
-BK	STEALTH (BLACK)

MODEL	DESCRIPTION	MAP (Builder)	MSRP (Retail)
HS-AGAD30-XX	Double Access Doors, Marquise, 30" (Specify color code)	\$ 908	\$ 968
HS-AGAD36-XX	Double Access Doors, Marquise, 36" (Specify color code)	\$ 948	\$ 1,018
HS-AGAD42-XX	Double Access Doors, Marquise, 42" (Specify color code)	\$ 1,008	\$ 1,068
HS-AGDR16-XX	Double Drawers, Marquise, 16"	\$ 1,104	\$ 1,154

Special order colors available on page 17

HESTAN OUTDOOR STORAGE AND CLEAN UP

MODEL	DESCRIPTION	MAP (Builder)	MSRP (Retail)
HS-AGADL18	Single Access Door, Hinge Left, Marquise, 18"	\$ 409	\$ 449
HS-AGADR18	Single Access Door, Hinge Right, Marquise, 18"	\$ 409	\$ 449
HS-AGADL24	Single Access Door, Hinge Left, Marquise, 24"	\$ 449	\$ 469
HS-AGADR24	Single Access Door, Hinge Right, Marquise, 24"	\$ 449	\$ 469
HS-AGAD30	Double Access Doors, Marquise, 30"	\$ 609	\$ 649
HS-AGAD36	Double Access Doors, Marquise, 36"	\$ 649	\$ 699
HS-AGAD42	Double Access Doors, Marquise, 42"	\$ 709	\$ 749
HS-AGSD30	Double Storage Doors, Marquise, 30"	\$ 1,129	\$ 1,199
HS-AGSD36	Double Storage Doors, Marquise, 36"	\$ 1,249	\$ 1,299
HS-AGSD42	Double Storage Doors, Marquise, 42"	\$ 1,349	\$ 1,399
HS-AGSR30	Single Storage Drawer, 30"	\$ 749	\$ 799
HS-AGSR36	Single Storage Drawer, 36"	\$ 799	\$ 849
HS-AGDR16	Double Drawers, Marquise, 16"	\$ 959	\$ 999
HS-AGSDR30	Double Drawer and Storage Door Combination, Marquise, 30"	\$ 1,349	\$ 1,399
HS-AGSDR36	Double Drawer and Storage Door Combination, Marquise, 36"	\$ 1,449	\$ 1,499
HS-AGSDR42	Double Drawer and Storage Door Combination, Marquise, 42"	\$ 1,599	\$ 1,699
HS-AGLP36	Double Sealed Pantry Storage Doors, Marquise, 36"	\$ 1,649	\$ 1,749
HS-AGTRC20	Trash and Recycle Center Storage Drawer, Marquise, 20"	\$ 999	\$ 1,049
HS-AGTC	Countertop Trash Chute with Cutting Board, Marquise Cover	\$ 369	\$ 389
HS-AGPTD16	Paper Towel Dispenser, Marquise, 16"	\$ 369	\$ 389

OPTIONS AND ACCESSORIES

MODEL	DESCRIPTION	MAP (Builder)	MSRP (Retail)
See Chart PG. 10	Single Access Door, Color Charge, 18" or 24"	\$ 145	\$ 155
See Chart PG. 10	Double Access or Storage Doors, Color Charge, 30" or 36" or 42"	\$ 299	\$ 319
See Chart PG. 10	Double Drawer and Storage Door Combo or Sealed Pantry, Color Charge	\$ 299	\$ 319
See Chart PG. 10	Double Drawers, Color Charge, 16"	\$ 145	\$ 155
See Chart PG. 10	Trash and Recycle Center Storage Drawer, Color Charge, 20"	\$ 145	\$ 155
HS-AGVCTC	Premium Cover, Countertop Trash Chute	\$ 89	\$ 99

HESTAN OUTDOOR REFRIGERATION



Refrigerator

- Stainless steel front, sides, & interior
- Door Lock
- LED interior lighting
- Adjustable, full extension pull-out shelves

Ice Machine

- Up to 22 lbs of total ice storage
- Up to 55 lbs of ice produced per 24 hours
- Air-cooled, self contained, built-in storage bin
- Produces top hat ice cubes

MODEL	DESCRIPTION	MAP (Builder)	MSRP (Retail)
HS-GRSR24	Refrigerator, Solid Door, Lock, RH, 24"	\$ 4,049	\$ 4,249
HS-GRSL24	Refrigerator, Solid Door, Lock, LH, 24"	\$ 4,049	\$ 4,249
HS-GRR24	Refrigerator Drawers, Lock, 24"	\$ 4,699	\$ 4,949
HS-GRFR24	Refrigerator Drawer, Freezer Drawer, Lock, 24"	NEW \$ 5,399	\$ 5,949
HS-GRWSR24	Dual Zone Refrigerator with Wine, Solid Door, Lock, RH, 24"	\$ 4,699	\$ 4,949
HS-GRWSL24	Dual Zone Refrigerator with Wine, Solid Door, Lock, LH, 24"	\$ 4,699	\$ 4,949
HS-GRWGR24	Dual Zone Refrigerator with Wine, Glass Door, Lock, RH, 24"	\$ 4,849	\$ 5,099
HS-GRWGL24	Dual Zone Refrigerator with Wine, Glass Door, Lock, LH, 24"	\$ 4,849	\$ 5,099
HS-GFDSR241	Single Faucet Beer Dispenser, Solid Door, Lock, RH, 24"	\$ 4,949	\$ 5,199
HS-GFDSL241	Single Faucet Beer Dispenser, Solid Door, Lock, LH, 24"	\$ 4,949	\$ 5,199
HS-GFDSR242	Double Faucet Beer Dispenser, Solid Door, Lock, RH, 24"	\$ 5,349	\$ 5,599
HS-GFDSL242	Double Faucet Beer Dispenser, Solid Door, Lock, LH, 24"	\$ 5,349	\$ 5,599
HS-GIMR15	Outdoor Ice Machine, Right Hinged, 15"	\$ 3,299	\$ 3,449
HS-GIML15	Outdoor Ice Machine, Left Hinged, 15"	\$ 3,299	\$ 3,449

OPTIONS AND ACCESSORIES

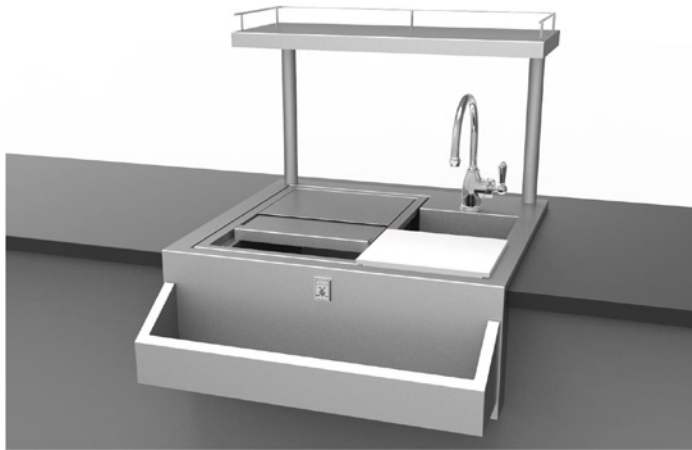
MODEL	DESCRIPTION	MAP (Builder)	MSRP (Retail)
HS-AGCK24	Caster Kit, Single or Double Faucet Beer Dispenser, 24"	\$ 349	\$ 359
HS-AGHKR	Hinge Kit Right, Refrigeration Product, 24"	\$ 139	\$ 149
HS-AGHKL	Hinge Kit Left, Refrigeration Product, 24"	\$ 139	\$ 149
HS-AGDP	Drain Pump, Outdoor Ice Machine, 15"	\$ 395	\$ 425
HS-AGVCSD	Premium Cover, Single Faucet Beverage Dispenser	\$ 79	\$ 89
HS-AGVCCD	Premium Cover, Double Faucet Beverage Dispenser	\$ 89	\$ 99

ASPIRE BY HESTAN REFRIGERATION AND COOLING PRODUCTS

MODEL	DESCRIPTION	MAP (Builder)	MSRP (Retail)
HS-ERS24	Outdoor Refrigerator, Solid Reversible Door, with, 24"	NEW \$ 1,099	\$ 1,149
HS-EDC24	Drop-in Cooler, 24"	NEW \$ 849	\$ 899
HS-AEVCCD24	Deluxe Cover Drop-in Cooler, 24"	NEW \$ 69	\$ 79

See page 34 of the Aspire by Hestan section for Aspire by Hestan features

HESTAN OUTDOOR REFRESHMENT CENTERS & SINKS



HS-GRCH30

- Fully insulated sink with 3 1/2" drain to accommodate a disposer
- Hot/Cold fully stainless 10 year warranty faucet with pull down feature
- Removable insulated ice bin with stainless cover

MODEL	DESCRIPTION	BUILDER (MAP)	RETAIL (MSRP)
HS-GRC30	Refreshment Center, 30"	NEW \$ 4,199	\$ 4,399
HS-GRCHS30	Refreshment Center, High Shelf, 30"	NEW \$ 4,849	\$ 5,049
HS-GIS30	Insulated Sink, 30"	NEW \$ 3,099	\$ 3,249
HS-GISHS30	Insulated Sink, High Shelf, 30"	NEW \$ 3,599	\$ 3,799
HS-AGIB	Insulated Ice Bin, 16"	NEW \$ 1,149	\$ 1,199
HS-AGOF	Outdoor Faucet	NEW \$ 499	\$ 519
HS-EDC24	Drop-in Cooler, 24"	\$ 849	\$ 899

GRILL COVERS

MODEL	DESCRIPTION	BUILDER (MAP)	RETAIL (MSRP)
HS-AGVC30	Premium Cover, Built-in, 30"	\$ 169	\$ 179
HS-AGVC30C	Premium Cover, Tower Cart, 30"	\$ 249	\$ 259
HS-AGVC30X	Premium Cover, Tower Cart with Side Burner or Deluxe Grill, 30"	\$ 289	\$ 309
HS-AGVC36	Premium Cover, Built-in, 36"	\$ 199	\$ 209
HS-AGVC36C	Premium Cover, Tower Cart, 36"	\$ 259	\$ 269
HS-AGVC36X	Premium Cover, Tower Cart with Side Burner or Deluxe Grill, 36"	\$ 299	\$ 319
HS-AGVC42	Premium Cover, Built-in, 42"	\$ 199	\$ 209
HS-AGVC42C	Premium Cover, Tower Cart, 42"	\$ 289	\$ 309
HS-AGVC42X	Premium Cover, Tower Cart with Side Burner or Deluxe Grill, 42"	\$ 319	\$ 349
HS-AGVCSB	Premium Cover, Single Side Burner, Built-in, 12"	\$ 89	\$ 99
HS-AGVCDB	Premium Cover, Double Side Burner, Built-in, 12"	\$ 109	\$ 119
HS-AGVCSDB	Premium Cover, Single Faucet Beverage Dispenser	\$ 79	\$ 89
HS-AGVCDD	Premium Cover, Double Faucet Beverage Dispenser	\$ 89	\$ 99
HS-AGVCTC	Premium Cover, Countertop Trash Chute	\$ 79	\$ 89
HS-AEVCDC24	Deluxe Cover, Drop-in Cooler, 24"	\$ 69	\$ 79

HESTAN OUTDOOR REFRIGERATION AND ISLAND ACCESSORIES INDEX

15" Ice Maker: GIMR15 (L/R)

- Stainless steel front and sides
- Up to 22 lbs of total ice storage capacity
- Up to 55 lbs of ice produced per 24 hours
- Produces top hat ice cubes



24" Refrigerator: GRWSR24 (L/R)

- Stainless steel front, sides and interior
- Adjustable, full-extension pull-out shelves
- Heavy duty insulation
- Temperature control from 33°F to 42°F



24" Beer Dispenser: GFDSR241 (L/R)

- Stainless steel front, sides and interior
- Fits one 1/4 barrel, one slim 1/4 slim barrel, or two 1/6 barrels (pony kegs or 5 gal.)
- Single or double faucet
- Temperature control from 33°F to 42°F



24" Refrigerator Drawers: GRFR

- Stainless steel front, sides and interior
- Heavy duty full extension drawer slides
- Temperature control from 33°F to 42°F



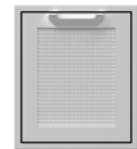
24" Dual Zone Refrigerator with Wine: GRWGR24(L/R)

- Stainless steel front sides, and interior
- Solid stainless steel or glass front door (Low E, UV-coated glass provides industry leading insulation & protection)
- Two full-extension pull-out wine storage shelves in upper zone, one full extension pull-out shelf in lower zone
- Temperature control from 33°F to 42°F (Lower Refrigerator Zone), 45°F to 65°F (Upper Wine Zone)

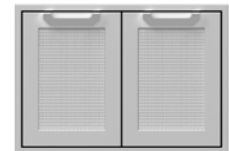


Access Doors:

- Available in 18", 24", 30", 36", and 42" widths
- Heavy gauge welded body construction
- Recessed Marquise™ accented panels with commercial grade handles
- Soft close door hinges with alignment adjustability



AGAD18 (L/R)

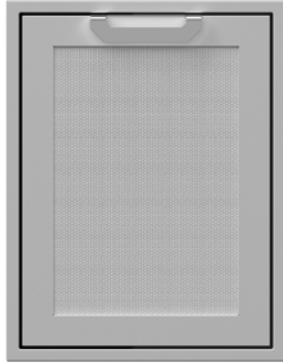


AGSD30

HESTAN OUTDOOR REFRIGERATION AND ISLAND ACCESSORIES INDEX

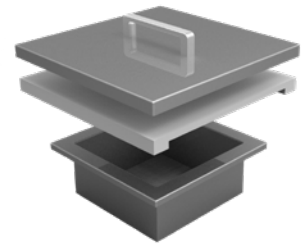
Trash and Recycle Center Storage Drawer: AGTRC20

- Recessed Marquise™ accented panel with commercial grade handle
- Available in 20" width
- Heavy gauge welded body construction
- Slide out trash and recycle bins that are easily removable for emptying and cleaning
- Full extension slides



Countertop Trash Chute: AGTC

- Heavy gauge welded body construction
- Complimentary to trash center
- Easy disposal without pulling out the trash center door
- Stainless steel top cover with handle
- Commercial grade cutting board that slides for easy access to chute



AGAD30

Paper Towel Dispenser: AGPTD16

- Recessed Marquise™ accented panel with commercial grade handle Can be mounted horizontally or vertically (left or right hinged)
- Heavy gauge welded body construction
- Removable paper towel holder - fits standard paper towel roll

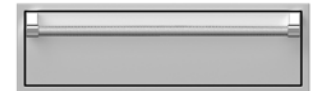


Storage:

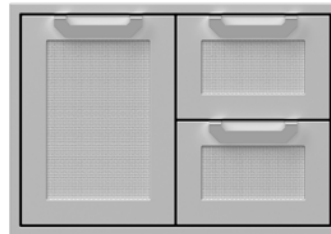
- Recessed Marquise™ accented panels with commercial grade handles
- Heavy gauge welded body construction
- Motion activated illumination
- Soft close door hinges with alignment adjustability



AGSR30



AGSR36



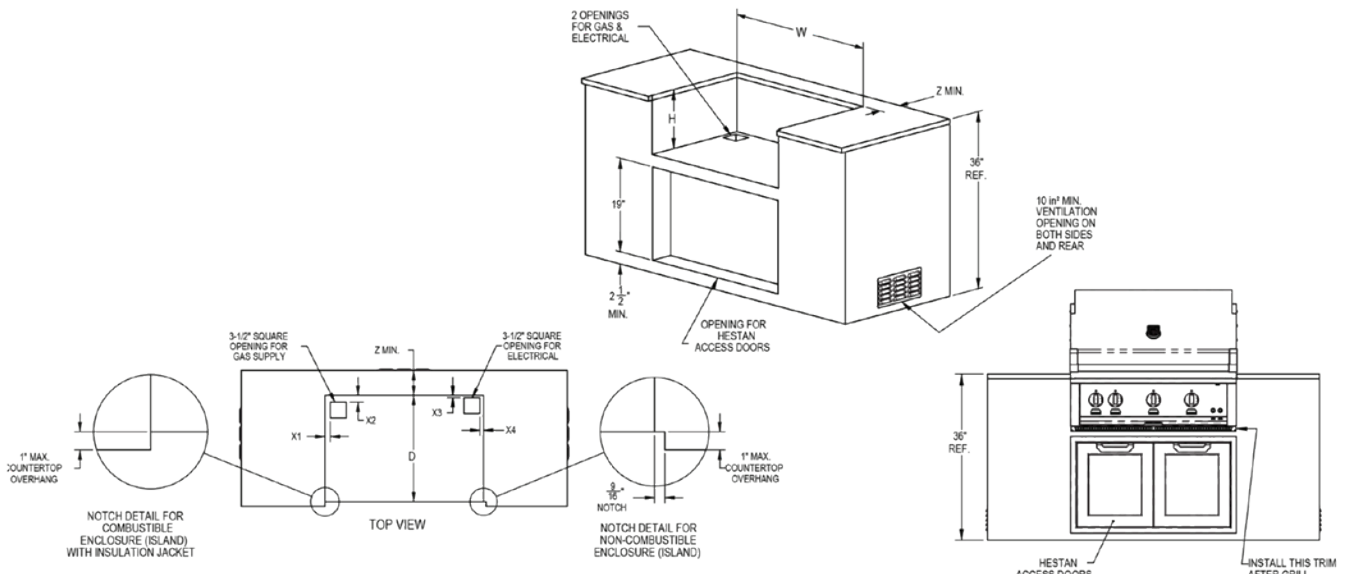
AGSDR30



AGDR16

HESTAN OUTDOOR DIMENSIONS AND SPECIFICATIONS

Built-In Grills



INSULATED JACKETS

Model Number	Description	W (in.)	D (in.)	H (in.)	X1 (in.)	X2 (in.)	X3 (in.)	X4 (in.)	Z (in.)
AGIj30	Insulated Jacket, 30"	35	25-3/8	12-13/16	4-3/16	3-3/8	1-1/2	3-13/16	3-7/8
AGIj36	Insulated Jacket, 36"	41	25-3/8	12-13/16	4-3/16	3-3/8	1-1/2	3-13/16	3-7/8
AGIj42	Insulated Jacket, 42"	47	25-3/8	12-13/16	4-3/16	3-3/8	1-1/2	3-13/16	3-7/8

GAS REQUIREMENTS: 1/2" NPT gas connection. Minimum gas supply is 7" water column for natural gas and 11" for propane. Operating pressure at the manifold is 4" water column for natural gas and 10" for propane. All units require a regulated gas supply.

ELECTRICAL REQUIREMENTS: 120V, 60Hz, 6 amps



Hestan Outdoor products are approved for outdoor use only. Hestan Commercial Corporation reserves the right to change materials and specifications without notice. Specify type of gas when ordering.

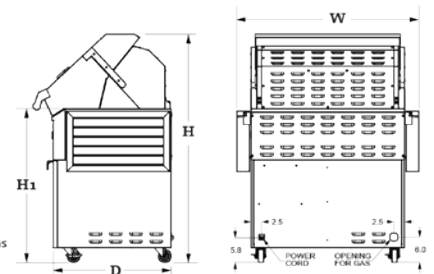
Built - In Models	Description	Cutout Dimensions							Total Btu's	
		W (in.)	D (in.)	H (in.)	X1 (in.)	X2 (in.)	X3 (in.)	X4 (in.)		Z (in.)
C_BR30-NG / -LP	30" Grill Built-in	29	23-1/2	12	1-3/16	1-1/2	1/4	13/16	5-1/2	62000
C_BR36-NG / -LP	36" Grill Built-in	35	23-1/2	12	1-3/16	1-1/2	1/4	13/16	5-1/2	89000
C_BR42-NG / -LP	42" Grill Built-in	41	23-1/2	12	1-3/16	1-1/2	1/4	13/16	5-1/2	118000

_ = specify burner configuration A= all Trellis Burners M= Sear and Trellis Burners S= all Sear Burners

Tower Carts

All Models	Description	Overall Dims			H1 (in.) cart only	with Side Burner (W in.)	w/ Side Burner and Side Shelf (W in.)
		W(in.)	D(in.)	H(in.)			
GCD30	30" Double Door Tower Cart	36-3/4	29-3/8	53-9/16	35-1/8	45-3/8	48-3/4
GCR30	30" Door and Drawer Tower Cart	36-3/4	29-3/8	53-9/16	35-1/8	45-3/8	48-3/4
GCD36	36" Double Door Tower Cart	42-3/4	29-3/8	53-9/16	35-1/8	51-3/8	54-3/4
GCR36	36" Door and Drawer Tower Cart	42-3/4	29-3/8	53-9/16	35-1/8	51-3/8	54-3/4
GCR42	42" Door and Drawer Tower Cart	48-3/4	29-3/8	53-9/16	35-1/8	57-3/8	60-3/4

Hestan Outdoor products are approved for outdoor use only. Hestan Commercial Corporation reserves the right to change materials and specifications without notice.



HESTAN OUTDOOR DIMENSIONS AND SPECIFICATIONS

Deluxe Grills

All Models	Description	Overall Dims			Total Btu's
		W(in.)	D(in.)	H(in.)	
G_BR30CX-NG / -LP	Deluxe Freestanding 30" grill with worktop / drawer	48-3/4	32-1/2	53-9/16	62000
G_BR30CX2-NG / -LP	Deluxe Freestanding 30" grill with double side burner	48-3/4	32-1/2	53-9/16	92000
G_BR36CX-NG / -LP	Deluxe Freestanding 36" grill with worktop / drawer	54-3/4	32-1/2	53-9/16	89000
G_BR36CX2-NG / -LP	Deluxe Freestanding 36" grill with double side burner	54-3/4	32-1/2	53-9/16	119000
G_BR42CX-NG / -LP	Deluxe Freestanding 42" grill with worktop / drawer	60-3/4	32-1/2	53-9/16	118000
G_BR42CX2-NG / -LP	Deluxe Freestanding 42" grill with double side burner	60-3/4	32-1/2	53-9/16	148000

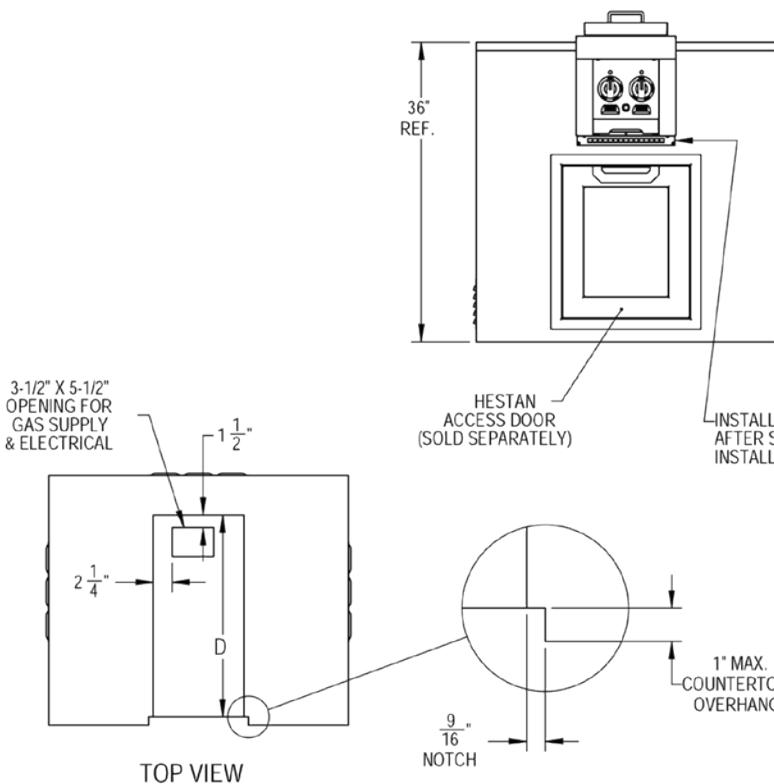
ELECTRICAL REQUIREMENTS :
120V, 60Hz, 7 amps

GAS REQUIREMENTS : 1/2" NPT gas connection. Minimum gas supply is 7" water column for natural gas and 11" for propane. Operating pressure at the manifold is 4" water column for natural gas and 10" for propane. All units require a regulated gas supply. (included)

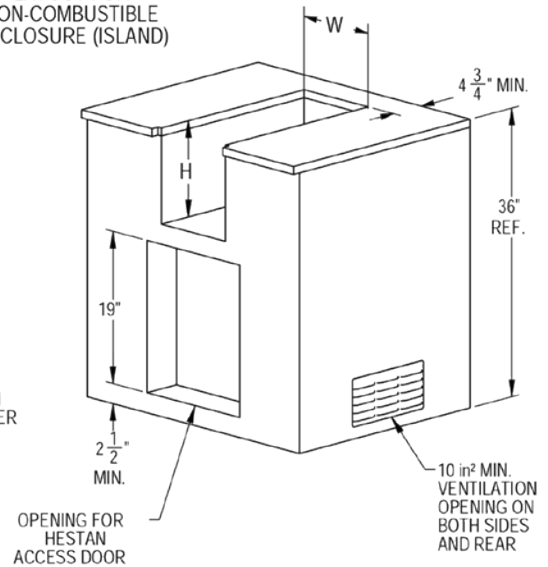
_ = specify burner configuration
A= all Trellis Burners M= Sear and Trellis Burners S= all Sear Burners

Hestan Outdoor products are approved for outdoor use only. Hestan Commercial Corporation reserves the right to change materials and specifications without notice. Specify type of gas when ordering.

Side Burners



LAYOUT FOR NON-COMBUSTIBLE ENCLOSURE (ISLAND)



ELECTRICAL REQUIREMENTS : 120V, 60Hz, 6 amps

GAS REQUIREMENTS : 1/2" NPT gas connection. Minimum gas supply is 7" water column for natural gas and 11" for propane. Operating pressure at the manifold is 4" water column for natural gas and 10" for propane. All units require a regulated gas supply.

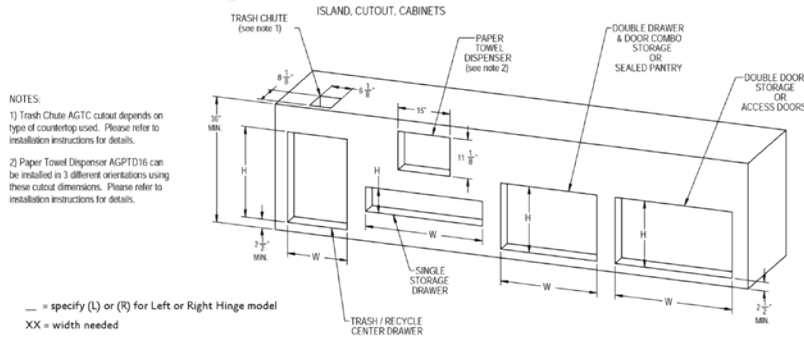
Hestan Outdoor products are approved for outdoor use only. Hestan Commercial Corporation reserves the right to change materials and specifications without notice. Specify type of gas when ordering.



All Models	Description	Cutout Dimensions			Total Btu's
		W(in.)	D(in.)	H(in.)	
AGB121-NG / -LP	Single Side Burner, Built-in, 12"	11	13-7/8	12	20,000
AGB122-NG / -LP	Double Side Burner, Built-In or Cart-Attached 12"	11	24-3/4	12	30,000

HESTAN OUTDOOR DIMENSIONS AND SPECIFICATIONS

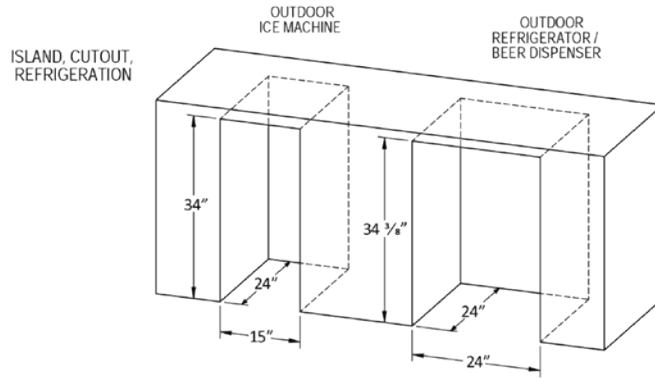
Storage and Cleanup



Built - In Models	Description	Product Width Options		Cutout Dimensions		
		W (in.)	W (in.)	D (in.)	H (in.)	
AGAD_xx	Single Access Door, with Marquise accent panel	18" or 24"	15-7/8" or 21-7/8"	n/a		19
AGADxx	Double Access Doors, with Marquise accent panel	30", 36" or 42"	27-7/8", 33-7/8" or 39-7/8"	n/a		19
AGSDxx	Double Storage Doors, with Marquise accent panel	30", 36" or 42"	27-7/8", 33-7/8" or 39-7/8"	23-3/8"		19
AGSRxx	Single Storage Drawer, all stainless front with Marquise accent handle	30" or 36"	27-7/8" or 33-7/8"	23-3/8"		8-7/8"
ACDR16	Double Drawers, with Marquise accent panel	16"	13-11/16"	23-3/8"		19
AGSDRxx	Double Drawer and Storage Door Combination w/ Marquise accent panel	30", 36" or 42"	27-7/8", 33-7/8" or 39-7/8"	23-3/8"		19
AGLP36	Double Sealed Pantry Storage Doors, with Marquise accent panel	36"	33-7/8"	24-13/16"		18-3/4"
AGTRC20	Trash and Recycle Center Storage Drawer, with Marquise accent panel	20"	17-1/4"	24-1/2"		25-3/4"
AGTC	Countertop Trash Chute with Cutting Board and Cover	-	-	6-1/8"		8-1/8"
AGPTD16	Paper Towel Dispenser, with Marquise accent panel	16"	11-1/8"	10-1/8"		15"

Hestan Outdoor products are approved for outdoor use only. Hestan Commercial Corporation reserves the right to change materials and specifications without notice.

Refrigeration Products



NOTE: See outdoor beer dispenser manual for detailed installation information and faucet tower cutout dimensions.

Models	Description	Electrical Requirements
GRS_24	24" Outdoor Refrigerator, Solid Door with Lock	115V, 60Hz, 1 Phase, 2.3 amps
GRR24	24" Outdoor Refrigerator Drawers with Lock	115V, 60Hz, 1 Phase, 2.3 amps
GRWS_24	24" Outdoor Dual Zone Refrigerator w Wine, Solid Door with Lock	115V, 60Hz, 1 Phase, 2.3 amps
GRWG_24	24" Outdoor Dual Zone Refrigerator w Wine, Glass Door with Lock	115V, 60Hz, 1 Phase, 2.3 amps
GFDS_241	24" Outdoor Single Faucet Beer Dispenser, Solid Door with Lock	115V, 60Hz, 1 Phase, 2.3 amps
GFDS_242	24" Outdoor Double Faucet Beer Dispenser, Solid Door with Lock	115V, 60Hz, 1 Phase, 2.3 amps
GIM_15	15" Outdoor Ice Machine	120V, 60Hz, 3.4 amps

_ = Specify (L) or (R) for Left or Right Hinge model

Hestan Outdoor products are approved for outdoor use only. Hestan Commercial Corporation reserves the right to change materials and specifications without notice.



All Products



Ice Machine Only



PURE OUTDOOR PERFORMANCE.

 **HESTAN**

Welcome to Aspire by Hestan

Every Aspire by Hestan Grill is proudly built in California from superior-grade 304 stainless steel and dialed in with precision power. Incomparable features include an infrared searing burner, dual halogen lighting, and a robust ignition system. From the easy-lifting hood to the flip-to-clean ceramic briquettes, our engineers have fine-tuned every detail.

Our signature color finishes offer a spectrum ranging from classic to vibrant. All finishes are powder coated on superior-grade 304 stainless steel to withstand the elements.



ASPIRE BY HESTAN STANDARD COLORS

Aspire by Hestan's signature color finishes offer a spectrum ranging from classic to vibrant. All finishes are powder coated on high-grade stainless steel to withstand the elements.

Pinnacle Express stocks all color options in Aspire grills and color accessories.

HOW TO ORDER:

STEP 1: Select Grill Model	STEP 2: Select Fuel Type (NG <u>or</u> LP)	STEP 3: Select Color & Add Color Charge
--------------------------------------	--	---

EXAMPLE:

HS-EAB30		-LP		-RD	
ACRONYM	COLOR	ACRONYM	COLOR	ACRONYM	COLOR
-RD	MATADOR (RED)	-BU	PRINCE (BLUE)	N/A	STEELETTO Stainless Steel Finish
-BK	STEALTH (BLACK)				
-OR	CITRA (ORANGE)				



Steeletto



Stealth



Citra

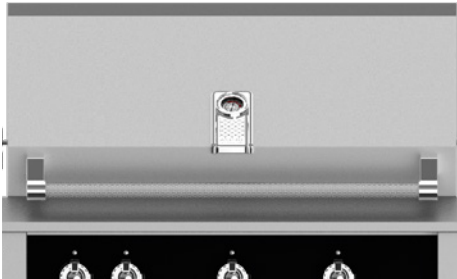


Matador



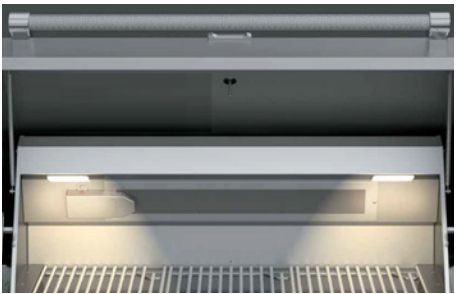
Prince

ASPIRE BY HESTAN INNOVATION & PERFORMANCE



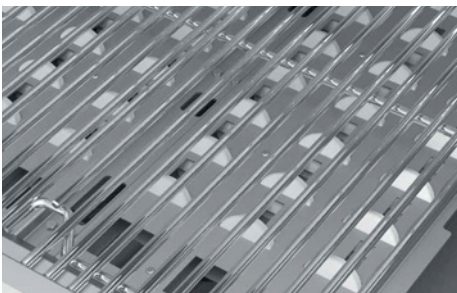
Full 304 Stainless Steel Construction gives the Aspire by Hestan a competitive edge versus other grills in same price range

- Entire Aspire Series features weather / salt resistant **304 Stainless Steel Construction**
- Heavy gauge, 304 welded body construction



Spring Assisted Hood Design with Dual Halogen Lighting

- Hood opens easily with built-in spring assist feature
- Dual halogen under-canopy lighting illuminates the grates of the grill



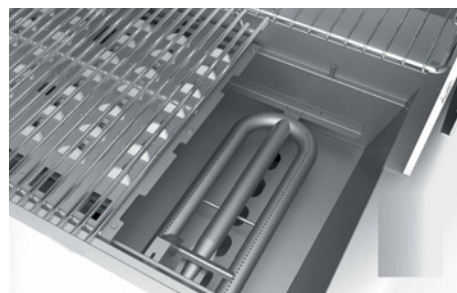
Stainless Steel Rod Grates

- Heavy duty design
- Easy to lift and clean



Convenient - Flip-to-Cook Ceramic Briquette Trays

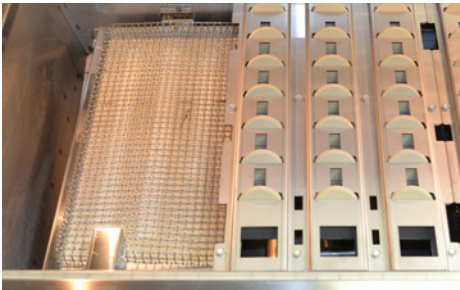
- Reversible “Flip-to-cook” and “Flip-to-clean” design
- Design promotes even heating, and reduces flare-ups
- Double sided trays capture drippings for flavor-generating smoke
- Stainless steel removable drip-tray for easy maintenance and cleanup



High-Performance Burner with Hot Ignition System

- High-performance burner constructed of 304 Stainless Steel
- Hot Ignition System ensures safe and reliable ignition
- Allows heat to be quickly adjusted for any cooking need
- Lifetime warranty on high-performance burner

ASPIRE BY HESTAN INNOVATION & PERFORMANCE



Variable Sear Burner

- High-performance variable ceramic infrared sear burner
- Allows for searing and other “direct heat” cooking needs
- Lifetime Warranty on Variable Sear Burner



Aspire Illuminated Panel with Signature Design Accents

- Illuminated panel and side-burners
- Recessed Marquise™ accented control panel with commercial grade handles and end-caps – **Patent Pending**
- Monogrammed temperature gauge with cooking zone markings – **Patent Pending**
- Zamak die-cast knobs and bezels – **Patent Pending**



Aspire by Hestan Series available in 5 In-stock Colors – Including Brushed Stainless Steel



Product Availability, Warranty, After-Market Support, and Manufacturing

- Pinnacle maintains large inventory of Hestan and Aspire by Hestan products to support the US Market
- Hestan has the best warranty program and after-market support in the industry
- Lifetime warranty on welded body, high-performance burners, variable sear burners, rotisserie
- All Hestan products are proudly made in the USA

ASPIRE BY HESTAN BUILT-IN GRILLS



- Superior-grade 304 stainless steel
- Available in 30", 36", and 42" widths
- Spring assist for ease of opening hood
- Two 20 watt halogen interior lights for the brightest illumination
- Built-in ceramic infrared rotisserie burner from 12,000 to 14,000 BTU (depending on models)
- High performance tubular burner at 23,000 BTU each
- Superior-grade stainless steel grates
- All colors are in-stock

CITRA
(-OR)

MATADOR
(-RD)

PRINCE
(-BU)

STEALTH
(-BK)

STEELETTO
(Stainless Steel
Finish)

MODEL	DESCRIPTION	MAP (Builder)	MSRP (Retail)
HS-EAB30	Grill, Built-in, (2) U-Burner, 30", LP or NG	\$ 2,599	\$ 2,749
HS-EMB30	Grill, Built-in, (1) U-Burner, (1) Sear, 30", LP or NG	\$ 2,749	\$ 2,899
HS-EABR30	Grill, Built-in, (2) U-Burner, Rotisserie, 30", LP or NG	\$ 2,949	\$ 3,099
HS-EMBR30	Grill, Built-in, (1) U-Burner, (1) Sear, Rotisserie, 30", LP or NG	\$ 3,049	\$ 3,199
HS-EAB36	Grill, Built-in, (3) U-Burner, 36", LP or NG	\$ 3,149	\$ 3,299
HS-EMB36	Grill, Built-in, (2) U-Burner, (1) Sear, 36", LP or NG	\$ 3,249	\$ 3,399
HS-EABR36	Grill, Built-in, (3) U-Burner, Rotisserie, 36", LP or NG	\$ 3,449	\$ 3,599
HS-EMBR36	Grill, Built-in, (2) U-Burner, (1) Sear, Rotisserie, 36", LP or NG	\$ 3,549	\$ 3,749
HS-EAB42	Grill, Built-in, (4) U-Burner, 42", LP or NG	NEW \$ 3,799	\$ 3,949
HS-EMB42	Grill, Built-in, (3) U-Burner, (1) Sear, 42", LP or NG	NEW \$ 3,899	\$ 4,049
HS-EABR42	Grill, Built-in, (4) U-Burner, Rotisserie, 42", LP or NG	NEW \$ 4,099	\$ 4,299
HS-EMBR42	Grill, Built-in, (3) U-Burner, (1) Sear, Rotisserie, 42", LP or NG	NEW \$ 4,199	\$ 4,399
See Chart PG. 27 Grill, Built-in, Color Charge, 30" or 36" or 42"		\$ 209	\$ 219

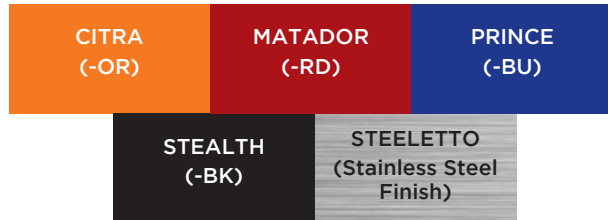
OPTIONS AND ACCESSORIES

MODEL	DESCRIPTION	MAP (Builder)	MSRP (Retail)
HS-AGIJ30	Insulated Jacket, 30"	\$ 739	\$ 779
HS-AGIJ36	Insulated Jacket, 36"	\$ 769	\$ 809
HS-AGIJ42	Insulated Jacket, 42"	\$ 799	\$ 849
HS-AECK-NG	Conversion Kit, NG	\$ 99	\$ 109
HS-AECK-LP	Conversion Kit, LP	\$ 79	\$ 89
HS-AGSMS	Smoker Set	\$ 69	\$ 79
HS-AEVC30	Deluxe Cover, Built-in, 30"	\$ 109	\$ 119
HS-AEVC36	Deluxe Cover, Built-in, 36"	\$ 139	\$ 149
HS-AEVC42	Deluxe Cover, Built-in, 42"	NEW \$ 169	\$ 179
HS-AGCKLPP	In-line LP Regulator	\$ 63	\$ 66

**ASPIRE BY HESTAN
TOWER CART**



*Grill Head Sold Separately



- Superior-grade 304 stainless steel
- Available in 30", 36", and 42" widths
- Fold-down side shelves for extra work space
- 2-door configuration
- Recessed Marquise™ accented panels with commercial grade handles

- Robust door hinges with alignment adjustability
- Commercial grade gray casters with 360 degrees of maneuverability for the smoothest cart movement
- All colors are in-stock

MODEL	DESCRIPTION	MAP (Builder)	MSRP (Retail)
HS-ECD30	Double Door Cart, 30"	\$ 690	\$ 740
HS-ECD36	Double Door Cart, 36"	\$ 850	\$ 900
HS-ECD42	Double Door Cart, 42"	NEW \$ 999	\$ 1,050
See Chart PG. 27 Tower Cart, Color Charge, 30", 36" or 42"		\$ 159	\$ 169

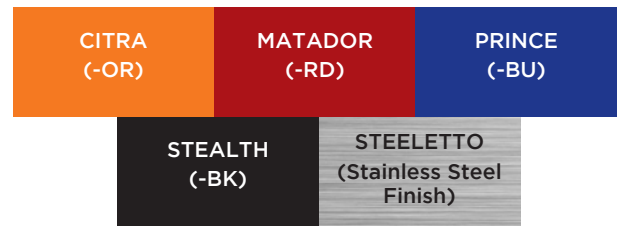
OPTIONS AND ACCESSORIES

MODEL	DESCRIPTION	MAP (Builder)	MSRP (Retail)
HS-AEVC30C	Deluxe Cover, Tower Cart, 30"	\$ 159	\$ 169
HS-AEVC36C	Deluxe Cover, Tower Cart, 36"	\$ 209	\$ 219
HS-AEVC42C	Deluxe Cover, Tower Cart, 42"	NEW \$ 239	\$ 249

**ASPIRE BY HESTAN
SIDE BURNER**



- Superior-grade 304 stainless steel
- Single or double side sealed burner(s) configurations
- Double side burners: 20,000 BTU front burner and 10,000 BTU rear burner
- Single side burner: 20,000 BTU sealed burner
- Superior-grade stainless steel grates
- Sealed burner bowl with drain tube
- Electronic ignition system with re-ignition capability
- LED lighting on front control panel
- All colors are in-stock

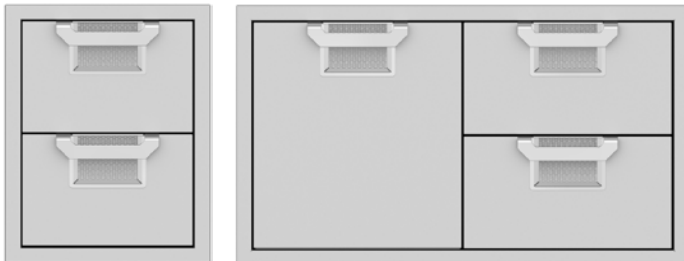


MODEL	DESCRIPTION	MAP (Builder)	MSRP (Retail)
HS-AEB121	Single Side Burner, Built-in, 12", LP or NG	\$ 789	\$ 829
HS-AEB122	Double Side Burner, Built-in, 12",LP or NG	\$ 999	\$ 1,049
See Chart PG. 27	Side Burner, Color Upcharge, 12"	\$ 109	\$ 119

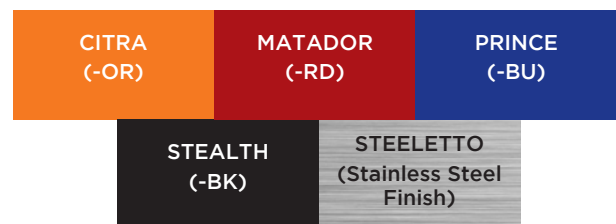
OPTIONS AND ACCESSORIES

MODEL	DESCRIPTION	MAP (Builder)	MSRP (Retail)
HS-AGBCK-NG	Conversion Kit, Side Burner, NG	\$ 79	\$ 89
HS-AGBCK-LP	Conversion Kit, Side Burner, LP	\$ 59	\$ 69
HS-AEVCSE	Deluxe Cover, Single Side Burner, Built-in, 12"	\$ 59	\$ 69
HS-AEVCDB	Deluxe Cover, Double Side Burner, Built-in, 12"	\$ 79	\$ 89

ASPIRE BY HESTAN STORAGE AND CLEAN UP



- Superior-grade 304 stainless steel
- Heavy gauge welded body construction
- Recessed Marquise™ accented panels with commercial grade handles
- Robust door hinges with alignment adjustability
- All colors are in-stock

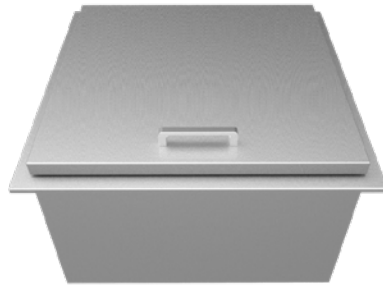
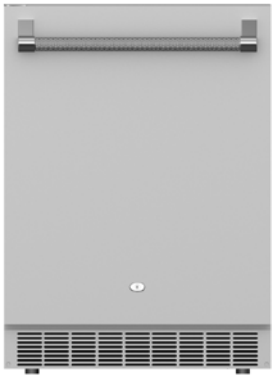


MODEL	DESCRIPTION	MAP (Builder)	MSRP (Retail)
HS-AEADL18	Single Access Door, Hinge Left, 18"	\$ 299	\$ 319
HS-AEADR18	Single Access Door, Hinge Right, 18"	\$ 299	\$ 319
HS-AEADL24	Single Access Door, Hinge Left, 24"	\$ 319	\$ 349
HS-AEADR24	Single Access Door, Hinge Right, 24"	\$ 319	\$ 349
HS-AEAD30	Double Access Doors, 30"	\$ 449	\$ 469
HS-AEAD36	Double Access Doors, 36"	\$ 509	\$ 529
HS-AEAD42	Double Access Doors, 42"	NEW Available Fall 2017	
HS-AESDR30	Double Drawer and Storage Door Combination, 30"	\$ 949	\$ 999
HS-AESDR36	Double Drawer and Storage Door Combination, 36"	\$ 1,149	\$ 1,199
HS-AESDR42	Double Drawer and Storage Door Combination, 42"	NEW Available Fall 2017	
HS-AEDR16	Double Drawers, 16"	\$ 679	\$ 729
HS-AETRC20	Trash Storage Drawer, 20"	\$ 789	\$ 829
HS-AETC	Countertop Trash Chute with Cutting Board, Stainless Cover	\$ 339	\$ 359
HS-AEPTD16	Paper Towel Dispenser, 16"	\$ 299	\$ 319
See Chart PG. 27	Single Access Door, Color Charge, 18" or 24"	\$ 89	\$ 99
See Chart PG. 27	Double Access, Drawers and Storage Door Combos, Color Charge, 16", 30", 36" or 42"	\$ 159	\$ 169
See Chart PG. 27	Trash Storage Drawer and Paper Towel Dispenser, Color Charge, 16" or 20"	\$ 89	\$ 99

OPTIONS AND ACCESSORIES

MODEL	DESCRIPTION	MAP (Builder)	MSRP (Retail)
HS-AEVCTC	Deluxe Cover, Trash Chute	\$ 49	\$ 59

**ASPIRE BY HESTAN
REFRIGERATION AND COOLING PRODUCTS**



REFRIGERATOR

- Superior-grade 304 stainless steel exterior
- Commercial Marquise handle and end caps
- 36° - 64° F temperature range
- Digital temperature display
- 5.6 cu. ft. of total storage space

24" DROP-IN COOLER

- Superior-grade 304 stainless steel exterior
- Extra deep to accommodate wine bottles standing up
- 1" R-Tech insulated walls
- Includes 5 individual condiment trays

MODEL	DESCRIPTION	MAP (Builder)	MSRP (Retail)
HS-ERS24	Outdoor Refrigerator, Solid Reversible Door, with Lock, 24"	\$ 1,099	\$ 1,149
HS-EDC24	Drop-in Cooler, 24"	\$ 849	\$ 899

OPTIONS AND ACCESSORIES

MODEL	DESCRIPTION	MAP (Builder)	MSRP (Retail)
HS-AEVCDC24	Deluxe Cover, Drop-in Cooler, 24"	\$ 69	\$ 79

GRILL COVERS

MODEL	DESCRIPTION	MAP (Builder)	MSRP (Retail)
HS-AEVC30	Deluxe Cover, Built-in, 30"	\$ 109	\$ 119
HS-AEVC30C	Deluxe Cover, Tower Cart, 30"	\$ 159	\$ 169
HS-AEVC36	Deluxe Cover, Built-in, 36"	\$ 139	\$ 149
HS-AEVC36C	Deluxe Cover, Tower Cart, 36"	\$ 209	\$ 219
HS-AEVC3B	Deluxe Cover, Single Side Burner, Built-in, 12"	\$ 59	\$ 69
HS-AEVC42	Deluxe Cover, Built-in, 42"	NEW \$ 169	\$ 179
HS-AEVC42C	Deluxe Cover, Tower Cart, 42"	NEW \$ 239	\$ 249
HS-AEVCDB	Deluxe Cover, Double Side Burner, Built-in, 12"	\$ 79	\$ 89
HS-AEVCDC24	Deluxe Cover, Drop-in Cooler, 24"	\$ 69	\$ 79
HS-AEVCTC	Deluxe Cover, Trash Chute	\$ 49	\$ 59

ASPIRE BY HESTAN REFRIGERATION AND ISLAND ACCESSORIES INDEX

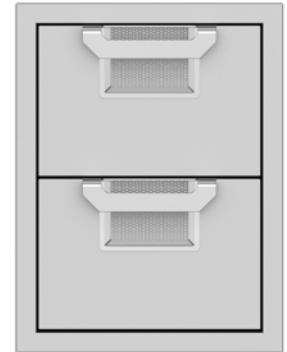
24" Refrigerator: ERS24

- 304 stainless steel exterior
- Commercial Marquis™ handle and commercial grade end caps
- 36° - 64°F temperature range
- Built-in or freestanding application



Drawer and Door Drawer Combos:

- Available in 16" (double drawer), 30" and 36" (Door drawer combo) widths
- Recessed Marquis™ accented panel with commercial grade handle
- Door alignment adjustability
- Heavy gauge welded body construction



AEDR16

24" Drop-in Cooler: EDC24

- 304 stainless steel interior and exterior
- Extra-deep, accommodates wine bottles standing up
- Lifetime warranty



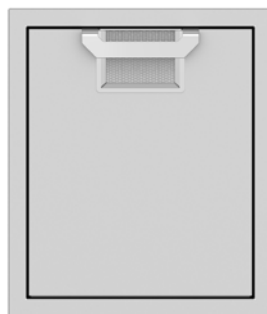
AESDR36



AESDR30

Single and Double Access Doors:

- Available in 18", 24", 30" and 36" widths
- Recessed Marquis™ accented panel with commercial grade handle
- Heavy gauge welded body construction
- Door alignment adjustability



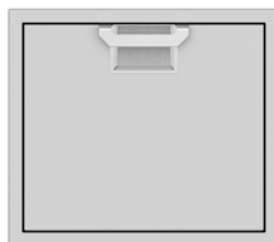
AEADL18

Paper Towel Dispenser: AEPTD16

- Can be mounted horizontally or vertically (left or right opening)
- Heavy gauge welded body construction
- Recessed Marquis™ accented panel with commercial grade handle



AEAD30

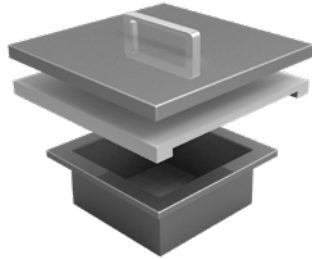


AEADL24

ASPIRE BY HESTAN REFRIGERATION AND ISLAND ACCESSORIES INDEX

Countertop Trash Chute: AETC

- Heavy gauge welded body construction
- Complimentary to trash center
- Easy disposal without pulling out the trash center door
- Stainless steel top cover with handle
- Commercial grade cutting board that slides for easy access to chute



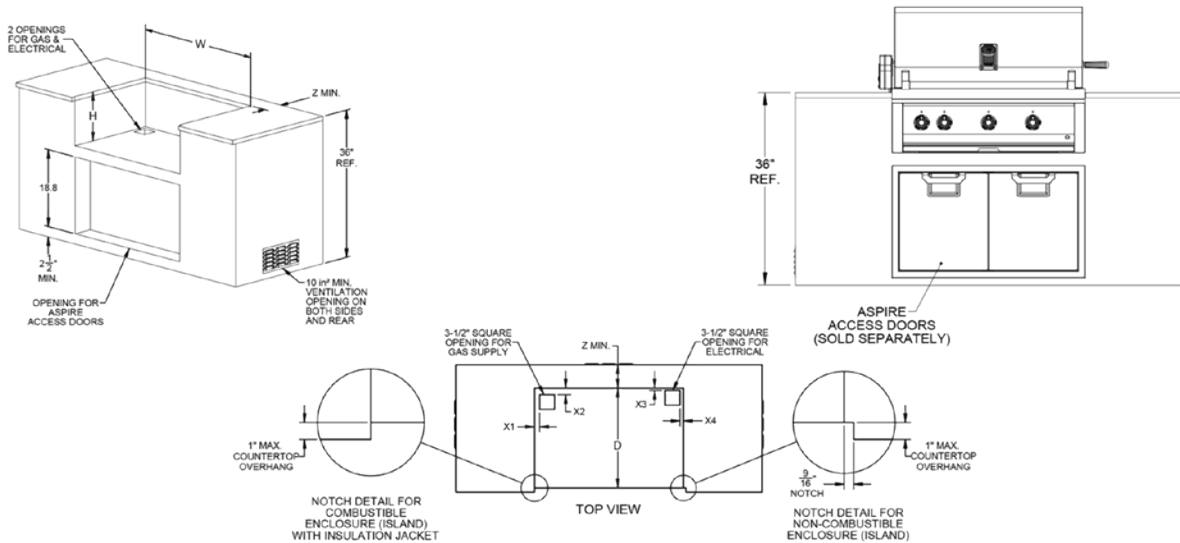
Trash Storage Drawer: AETROC20

- Available in 20" width
- Heavy gauge welded body construction
- Slide out trash bin that is easily removable for emptying and cleaning
- Full extension slides
- Recessed Marquise™ accented panel with commercial grade handle



ASPIRE BY HESTAN DIMENSIONS AND SPECIFICATIONS

Built-In Grills



INSULATED JACKETS

Model Number	Description	W (in.)	D (in.)	H (in.)	X1 (in.)	X2 (in.)	X3 (in.)	X4 (in.)	Z (in.)
ACJ30	Insulated Jacket, 30"	35	25- ¹ / ₈	12- ¹³ / ₁₆	4- ³ / ₁₆	3- ¹ / ₈	1- ¹ / ₂	3- ¹³ / ₁₆	3- ⁷ / ₈
ACJ36	Insulated Jacket, 36"	41	25- ¹ / ₈	12- ¹³ / ₁₆	4- ³ / ₁₆	3- ¹ / ₈	1- ¹ / ₂	3- ¹³ / ₁₆	3- ⁷ / ₈
ACJ42	Insulated Jacket, 42"	47	25- ¹ / ₈	12- ¹³ / ₁₆	4- ³ / ₁₆	3- ¹ / ₈	1- ¹ / ₂	3- ¹³ / ₁₆	3- ⁷ / ₈

GAS REQUIREMENTS : 1/2" NPT gas connection.

Minimum gas supply is 7" water column for natural gas and 11" for propane. Operating pressure at the manifold is 4" water column for natural gas and 10" for propane. All units require a regulated gas supply. (included)

ELECTRICAL REQUIREMENTS :

120V, 60Hz, 5 amps



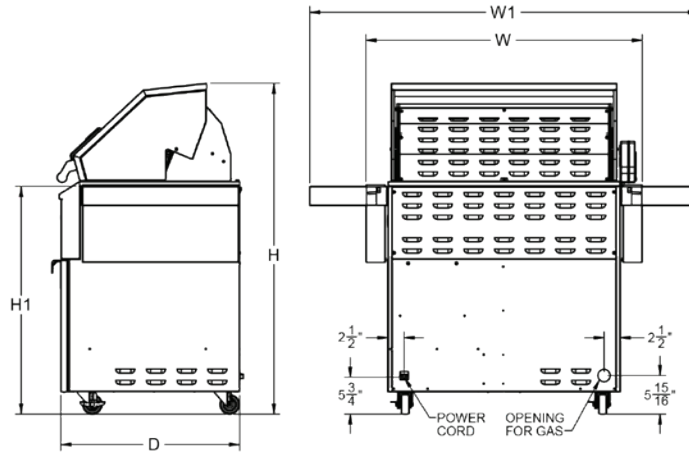
Aspire by Hestan products are approved for outdoor use only. Hestan Commercial Corporation reserves the right to change materials and specifications without notice. Specify type of gas when ordering.

Built - In Models	Description	Cutout Dimensions								Total Btu's	Total Btu's with Rotis
		W (in.)	D (in.)	H (in.)	X1 (in.)	X2 (in.)	X3 (in.)	X4 (in.)	Z (in.)		
E__30-NC / -LP	30" Grill Built-in	29	23- ¹ / ₂	11- ¹ / ₂	1- ³ / ₁₆	1- ¹ / ₂	1/4	13/16	5- ¹ / ₂	46,000	58,000
E__36-NC / -LP	36" Grill Built-in	35	23- ¹ / ₂	11- ¹ / ₂	1- ³ / ₁₆	1- ¹ / ₂	1/4	13/16	5- ¹ / ₂	69,000	83,000

__ = specify burner configuration AB = all U-Burners MB= 1 Sear and the rest U-Burners R= with Rotisserie

ASPIRE BY HESTAN DIMENSIONS AND SPECIFICATIONS

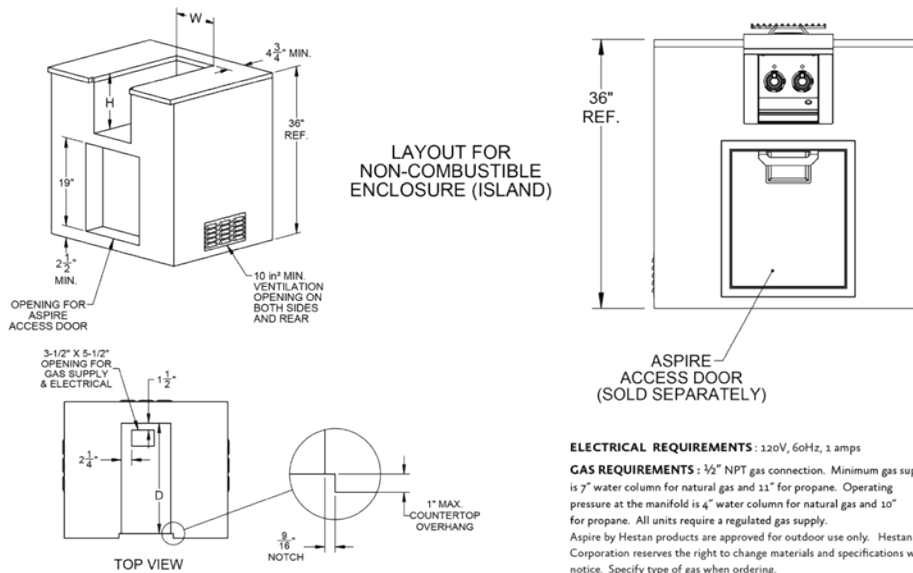
Tower Carts



All Models	Description	Overall Dims			H1 (in.) cart only	W1 (in.)
		W(in.)	D(in.)	H(in.)		
ECD30	30" Double Door Tower Cart	36-13/16	27-11/16	51-1/4	35-5/16	51-1/4
ECD36	36" Double Door Tower Cart	42-13/16	27-11/16	51-1/4	35-5/16	60-1/4

Aspire by Hestan products are approved for outdoor use only. Hestan Commercial Corporation reserves the right to change materials and specifications without notice.

Side Burners



ELECTRICAL REQUIREMENTS: 120V, 60Hz, 1 amp

GAS REQUIREMENTS: 1/2" NPT gas connection. Minimum gas supply is 7" water column for natural gas and 11" for propane. Operating pressure at the manifold is 4" water column for natural gas and 10" for propane. All units require a regulated gas supply.

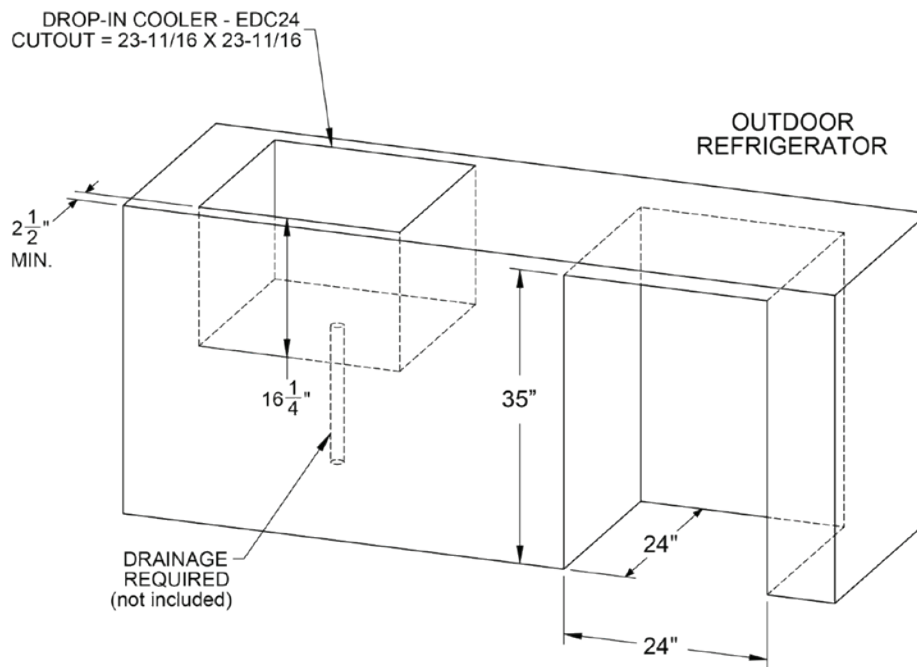
Aspire by Hestan products are approved for outdoor use only. Hestan Commercial Corporation reserves the right to change materials and specifications without notice. Specify type of gas when ordering.



All Models	Description	Cutout Dimensions			Total Btu's
		W(in.)	D(in.)	H(in.)	
AEB121 NG / -LP	Single Side Burner, Built-in, 12"	11	13-7/8	11-1/2	20,000
AEB122 NG / -LP	Double Side Burner, Built-in, 12"	11	24-1/4	11-1/2	30,000

ASPIRE BY HESTAN DIMENSIONS AND SPECIFICATIONS

Cooling Products



Models	Description	Electrical Requirements
ERS24	24" Outdoor Refrigerator, Solid Door with Lock	115V, 60Hz., 1 Phase, 2.2 amps
EDC24	24" Outdoor Drop-In Cooler	n/a

Aspire by Hestan products are approved for outdoor use only. Hestan Commercial Corporation reserves the right to change materials and specifications without notice.

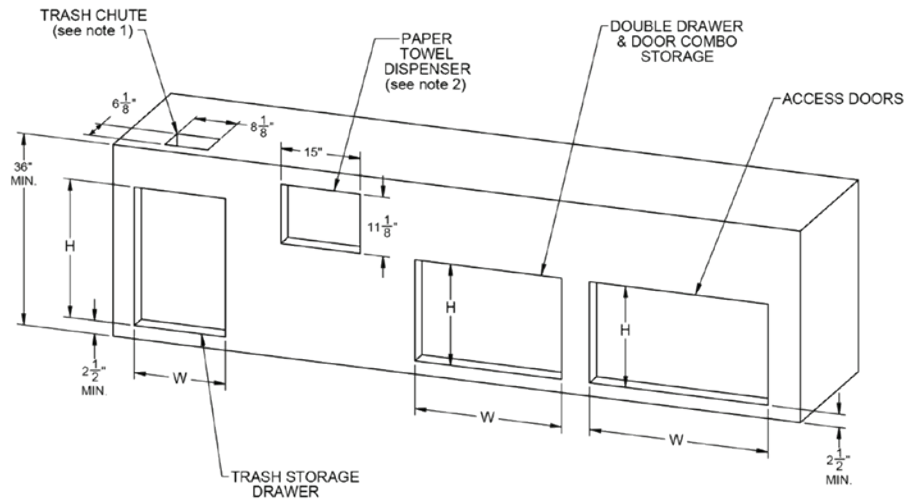


ASPIRE BY HESTAN DIMENSIONS AND SPECIFICATIONS

Storage and Cleanup

NOTES:

- 1) Trash Chute AETC cutout depends on type of countertop used. Please refer to installation instructions for details.
- 2) Paper Towel Dispenser AEPTD16 can be installed in 3 different orientations using these cutout dimensions. Please refer to installation instructions for details.

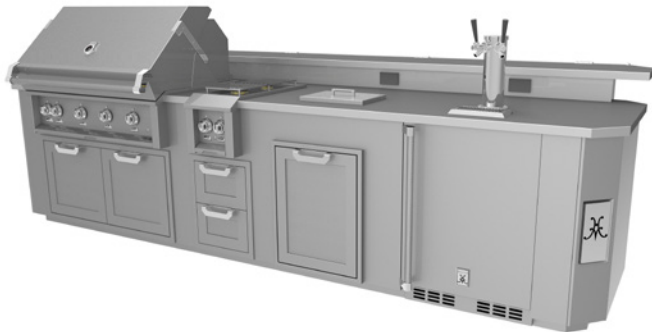


__ = specify (L) or (R) for Left or Right Hinge model
 XX = width needed

Models	Description	Product Width Options W (in.)	Cutout Dimensions		
			W (in.)	D (in.)	H (in.)
AEAD__xx	Single Access Door	18" or 24"	15 ^{-7/8"} , 21 ^{-7/8"}	n/a	19
AEADxx	Double Access Doors	30" or 36"	27 ^{-7/8"} , 33 ^{-7/8"}	n/a	19
AEDR16	Double Drawers	16"	13 ^{-7/8"}	23 ^{-3/8"}	19
AESDRxx	Double Drawer and Storage Door Combination	30" or 36"	27 ^{-7/8"} , 33 ^{-7/8"}	23 ^{-3/8"}	19
AETRC20	Trash Storage Drawer	20"	17 ^{-1/4"}	18	26
AETC	Countertop Trash Chute	-	6 ^{-1/8"}	8 ^{-1/8"}	n/a
AEPTD16	Paper Towel Dispenser	16"	11 ^{-1/8"}	10 ^{-1/8"}	15

Aspire by Hestan products are approved for outdoor use only. Hestan Commercial Corporation reserves the right to change materials and specifications without notice.

HESTAN OUTDOOR ISLAND SUITES



- Available in 8' and 12' widths
- Multiple cutouts available
- 304 Stainless steel front, sides, and bottom
- 304 Stainless steel curb base
- Ground fault circuit interrupter outlets with 120 volt AC power and weatherproof covers
- Single point electrical connection to pre-wired junction box
- Single point gas connection
- Heavy gauge welded body construction
- Monogrammed corner panels

MODEL	DESCRIPTION		MAP (Builder)	MSRP (Retail)
HS-GES08	Outdoor Island Suite, (Countertops not included), 8'	NEW	\$ 7,349	\$ 7,799
HS-GESS08	Outdoor Island Suite, Stainless Countertop, 8'	NEW	\$ 9,399	\$ 9,899
HS-GESD08	Outdoor Island Suite, Stainless Countertop for Beer Dispenser, 8'	NEW	\$ 9,399	\$ 9,899
HS-GESB08	Outdoor Island Suite, with Bar, (Countertops not included), 8'	NEW	\$ 9,699	\$ 10,199
HS-GESSB08	Outdoor Island Suite, with Bar, Stainless Countertops, 8'	NEW	\$ 12,649	\$ 13,299
HS-GESDB08	Outdoor Island Suite, with Bar, Stainless Countertops for Beer Dispenser 8'	NEW	\$ 12,649	\$ 13,299
HS-GES12	Outdoor Island Suite, (Countertop not included), 12'	NEW	\$ 9,499	\$ 9,999
HS-GESS12	Outdoor Island Suite, Stainless Countertop, 12'	NEW	\$ 11,399	\$ 11,999
HS-GESD12	Outdoor Island Suite, Stainless Countertop for Beer Dispenser, 12'	NEW	\$ 11,399	\$ 11,999
HS-GESB12	Outdoor Island Suite, with Bar, (Countertops not included), 12'	NEW	\$ 12,649	\$ 13,299
HS-GESSB12	Outdoor Island Suite, with Bar, Stainless Countertops, 12'	NEW	\$ 16,199	\$ 17,099
HS-GESDB12	Outdoor Island Suite, with Bar, Stainless Countertops for Beer Dispenser, 12'	NEW	\$ 16,199	\$ 17,099
HS-016680	Caster Kit for 8' Island Suite	NEW	\$ 420	\$ 440
HS-016681	Caster Kit for 12' Island Suite	NEW	\$ 499	\$ 520

SPECIAL ORDER ALLOW 10-12 WEEK LEAD TIME *PRODUCT NOT INCLUDED AND IS SOLD SEPARATELY*****

8' suites accommodate 36" wide grill, under-cabinet product and double side burner, and 24" wide under-counter product.

12' suites accommodate 42" wide grill, under-cabinet product and double side burner, 16" wide under-cabinet product, 20" wide trash chute, and 24" wide under-counter product.

See page 42 for product configurations.

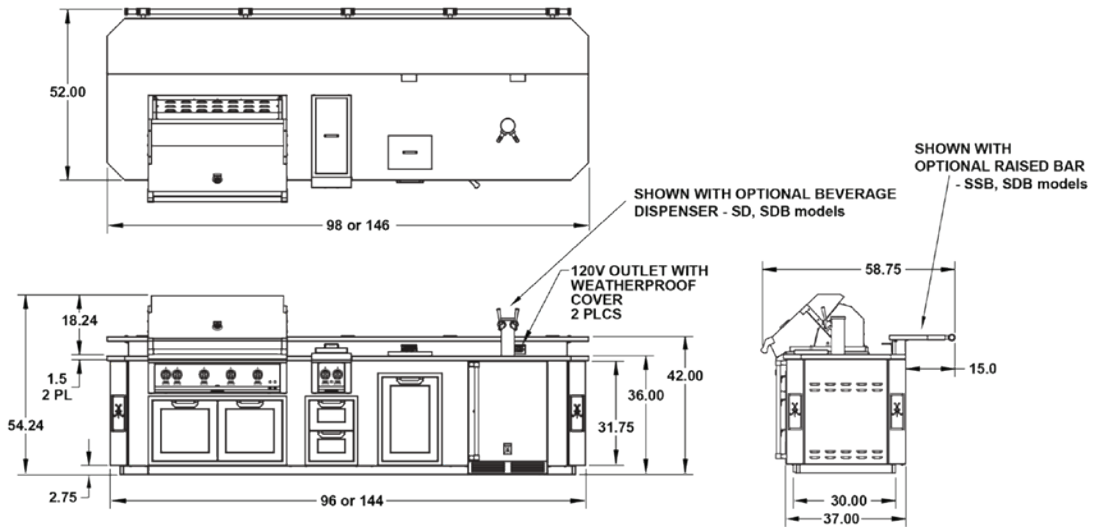
HESTAN OUTDOOR ISLAND SUITES



Hestan Outdoor Island Suites Product Configuration Options - Select Model From Each Column

		Grill	Door/ Drawer	Side Burner	Drawer	Trash Chute	Trash Storage	Refrigerator	Beer Dispenser
8ft Suite	Hestan	HS-GABR36	HS-AGAD36	HS-AGB121	HS-AGDR16	N/A	N/A	HS-GSR(R/L)24	HS-GFDS(R/L)241
		HS-GMBR36	HS-AGSD36	HS-AGB122				HS-GRR24	HS-GFDS(R/L)242
		HS-GSBR36	HS-AGSDR36					HS-GRWS(R/L)24	
								HS-GRWG(R/L)24	
	Aspire	HS-EAB36	HS-AEAD36	HS-AEB121	HS-AEDR16	N/A	N/A	HS-ERS24	N/A
		HS-EMB36	HS-AESD36	HS-AEB122					
		HS-EABR36							
		HS-EMBR36							
12ft Suite	Hestan	HS-GABR42	HS-AGAD42	HS-AGB121	HS-AGDR16	HS-AGTC	HS-AGTRC20	HS-GSR(R/L)24	HS-GFDS(R/L)241
		HS-GMBR42	HS-AGSD42	HS-AGB122				HS-GRR24	HS-GFDS(R/L)242
		HS-GSBR42	HS-AGSDR42					HS-GRWS(R/L)24	
								HS-GRWG(R/L)24	
	Aspire	HS-EAB42	HS-AEAD42	HS-AEB121	HS-AEDR16	HS-AETC	HS-AETRC20	HS-ERS24	N/A
		HS-EMB42	HS-AESD42	HS-AEB122					
		HS-EABR42							
		HS-EMBR42							

HESTAN OUTDOOR ISLAND SUITES DIMENSIONS AND SPECIFICATIONS



INSTALLATION/ASSEMBLY SHOULD BE PERFORMED BY A QUALIFIED SERVICE TECHNICIAN OR PROFESSIONAL OUTDOOR EQUIPMENT INSTALLER. THE ELECTRICAL COMPONENTS SUPPLIED WITH SUITES MUST BE INSTALLED BY A LICENSED ELECTRICIAN AND CONNECTED IN ACCORDANCE WITH LOCAL CODES. GAS CONNECTIONS MUST BE MADE BY A LICENSED PLUMBER IN ACCORDANCE WITH LOCAL CODES.

Built - In Models	Description	—Overall Dimensions*—			Weight
		W (in.)	D (in.)	H (in.)	
GE__8	8' Cooking Suite	98	37	36	650
GE__12	12' Cooking Suite	146	37	36	940

S: no top SD: ss top w/ beer dispenser SS: ss top SSB: ss top w/bar SDB: ss top w/bar and beer dispenser SB: no top w/ bar

GAS REQUIREMENTS : 1/2" NPT gas connection. Minimum gas supply is 2" water column for natural gas and 11" for propane. Operating pressure at the manifold is 4" water column for natural gas and 10" for propane. All units require a regulated gas supply.

ELECTRICAL REQUIREMENTS : 120V, 60Hz, 20 amp circuit breaker from main service panel

Hestan Outdoor products are approved for outdoor use only. Hestan Commercial Corporation reserves the right to change materials and specifications without notice. Specify type of gas when ordering.

* Dimensions are of suite body and do not include actual appliance dimensions

HESTAN WARRANTY

OUTDOOR GAS PRODUCT LIMITED WARRANTY

What This Limited Warranty Covers: Hestan Commercial Corporation (“HCC”) warrants to the original consumer purchaser of a Hestan outdoor gas product (the “Product”) from an HCC authorized dealer that the Product is free from defective materials or workmanship for a period of one (1) year from the date of original retail purchase or closing date for new construction, whichever period is longer (“Limited Warranty Period”). HCC agrees to repair or replace, at HCC’s sole option, any part or component of the Product that fails due to defective materials or workmanship during the Limited Warranty Period. This Limited Warranty is not transferable and does not extend to anyone beyond the original consumer purchaser (“Purchaser”). This Limited Warranty is valid only on Products purchased and received from an HCC authorized dealer in the fifty United States, the District of Columbia and Canada. This Limited Warranty applies only to Products in non-commercial use and does not extend to Products used in commercial applications.

How To Obtain Warranty Service: If the Product fails during the Limited Warranty Period for reasons covered by this Limited Warranty, the Purchaser must immediately contact the dealer from whom the Product was purchased or HCC at [888.905.7463](tel:888.905.7463). Purchaser is responsible for making the Product reasonably accessible for service or for paying the cost to make the Product reasonably accessible for service. Service is to be provided during normal business hours of the authorized Hestan Commercial Service Provider. To the extent Purchaser requests service outside of the normal business hours of the authorized Hestan Commercial Service Provider, Purchaser will pay the difference between regular rates and overtime or premium rates. Purchaser is required to pay all travel costs for travel beyond 50 miles (one way) from the nearest authorized Hestan Commercial Service Provider.

Extensions To One Year Limited Warranty Period:

In addition to the One-Year Limited Warranty, the following components have extended warranty coverage as specifically set forth below:

1. The Product’s stainless steel grill body, DiamondCut cooking grates and warming rack, stainless Trellis grill burners, Sear burners and rotisserie infrared burner (where applicable) are warranted to be free from defects in material and workmanship under normal noncommercial use and service for the lifetime of the original Purchaser. This excludes surface corrosion, scratches, and discoloration which may occur during normal use and is limited to replacement of the defective part(s), with the Purchaser paying all other costs, including labor, shipping and handling, as applicable.
2. The Product’s spit rod, briquette trays, manifolds, gas valves and sealed burner assemblies (where applicable) are warranted to be free from defects in material and workmanship, under normal non-commercial use and service, for a period of five (5) years from the original date of purchase;. This is limited to replacement of the defective parts, with the Purchaser paying all other costs, including labor, shipping, and handling, as applicable.

What This Limited Warranty Does Not Cover: This Limited Warranty does not cover and HCC will not be responsible for and will not pay for: damage to or defects in any Product not purchased from an HCC authorized dealer; color variations in color finishes or other cosmetic damage; failure or damage from abuse, misuse, accident, fire, natural disaster, commercial use of the Product, or loss of electrical power or gas supply to the Product; damage from alteration, improper installation, or improper operation of the Product; damage from improper or unauthorized repair or replacement of any part or component of the Product; damage from service by someone other than an authorized agent or representative of the Hestan Commercial Service Network; normal wear and tear; damage from exposure of the Product to a corrosive atmosphere containing chlorine, fluorine, or any other damaging chemicals; damage resulting from the failure to provide normal care and maintenance to the Product; damage HCC was not notified of within the Limited Warranty Period; and incidental and consequential damages caused by any defective material or workmanship.

Arbitration: This Limited Warranty is governed by the Federal Arbitration Act. Any dispute between Purchaser and HCC regarding or related to the Product or to this Limited Warranty shall be resolved by binding arbitration only on an individual basis with Purchaser. Arbitration will be conducted by the American Arbitration Association (“AAA”) in accordance with its Consumer Arbitration Rules or by JAMS. The arbitration hearing shall be before one arbitrator appointed by the AAA or JAMS. The arbitrator shall not conduct class arbitration and Purchaser shall not bring any claims against HCC in a representative capacity on behalf of others.

Limitation Of Liability: This Limited Warranty is the final, complete and exclusive agreement between HCC and Purchaser regarding the Product.

THERE ARE NO EXPRESS WARRANTIES OTHER THAN THOSE LISTED AND DESCRIBED ABOVE. NO WARRANTIES WHETHER EXPRESS OR IMPLIED, INCLUDING, BUT NOT LIMITED TO, ANY IMPLIED WARRANTIES OF MERCHANTABILITY OR FITNESS FOR A PARTICULAR PURPOSE SHALL APPLY AFTER THE LIMITED WARRANTY PERIOD STATED ABOVE. NO OTHER EXPRESS WARRANTY OR GUARANTY GIVEN BY ANY PERSON, FIRM OR CORPORATION WITH RESPECT TO THIS PRODUCT SHALL BE BINDING ON HCC. HCC ASSUMES NO RESPONSIBILITY THAT THE PRODUCT WILL BE FIT FOR ANY PARTICULAR PURPOSE, EXCEPT AS OTHERWISE PROVIDED BY APPLICABLE LAW.

HCC SHALL NOT BE LIABLE FOR LOSS OF REVENUE OR PROFITS, FAILURE TO REALIZE SAVINGS OR OTHER BENEFITS, OR ANY OTHER SPECIAL, INCIDENTAL OR CONSEQUENTIAL DAMAGES CAUSED BY THE USE, MISUSE OR INABILITY TO USE THE PRODUCT, REGARDLESS OF THE LEGAL THEORY ON WHICH THE CLAIM IS BASED, AND EVEN IF HCC HAS BEEN ADVISED OF THE POSSIBILITY OF SUCH DAMAGES. NO RECOVERY OF ANY KIND AGAINST HCC SHALL BE GREATER IN AMOUNT THAN THE PURCHASE PRICE OF THE PRODUCT. WITHOUT LIMITING THE FOREGOING, YOU ASSUME ALL RISK AND LIABILITY FOR LOSS, DAMAGE OR INJURY TO YOU AND YOUR PROPERTY AND TO OTHERS AND THEIR PROPERTY ARISING OUT OF THE USE, MISUSE OR INABILITY TO USE THE PRODUCT NOT CAUSED DIRECTLY BY THE NEGLIGENCE OF HCC. THIS LIMITED WARRANTY STATES YOUR EXCLUSIVE REMEDY.

HESTAN WARRANTY

OUTDOOR GAS PRODUCT LIMITED WARRANTY

No oral or written representation or commitment given by anyone, including but not limited to, an employee, representative or agent of HCC will create a warranty or in any way increase the scope of this express Limited One Year Warranty. If there is any inconsistency between this Limited Warranty and any other agreement or statement included with or relating to the Product, this Limited Warranty shall govern. If any provision of this Limited Warranty is found invalid or unenforceable, it shall be deemed modified to the minimum extent necessary to make it enforceable and the remainder of the Limited Warranty shall remain valid and enforceable according to its terms.

Interaction Of Laws With This Limited Warranty: Some states, provinces or territories may not allow limitations on how long an implied warranty lasts or the exclusion or limitation of incidental or consequential damages, so the above limitations or exclusions may not apply to you. Some states, provinces or territories may provide for additional warranty rights and remedies, and the provisions contained in this Limited Warranty are not intended to limit, modify, take away from, disclaim or exclude any mandatory warranty requirements provided by states, provinces or territories, including certain implied warranties. This warranty gives you specific legal rights, and you may also have other rights which vary depending on location.

Any questions about this Limited Warranty may be directed to
Hestan Commercial Corporation at (888) 905-7463

Warranty Summary

Item	Hestan Outdoor	Aspire by Hestan
Stainless Steel Grill Body	Lifetime	Lifetime
Stainless Steel Tubular Grill Burners	Lifetime	Lifetime
Sear Burners	Lifetime	Lifetime
Rotisserie Infrared Burner (where applicable)	Lifetime	Lifetime
Cooking Grates	Lifetime	Ten Years
Warming Rack	Lifetime	Ten Years
Spit Rod	Five Years	Five Years
Manifolds	Five Years	Five Years
Briquette Trays	Five Years	Five Years
Gas Valves	Five Years	Five Years
Sealed Burner Assemblies (where applicable)	Five Years	Five Years
All other grill components	Two Years	Two Years

ASPIRE BY HESTAN WARRANTY

OUTDOOR GAS PRODUCT LIMITED WARRANTY

What This Limited Warranty Covers: Hestan Commercial Corporation (“HCC”) warrants to the original consumer purchaser of an Aspire by Hestan outdoor gas product (the “Product”) from an HCC authorized dealer that the Product is free from defective materials or workmanship for a period of one (1) year from the date of original retail purchase or closing date for new construction, whichever period is longer (“Limited Warranty Period”). HCC agrees to repair or replace, at HCC’s sole option, any part or component of the Product that fails due to defective materials or workmanship during the Limited Warranty Period. This Limited Warranty is not transferable and does not extend to anyone beyond the original consumer purchaser (“Purchaser”). This Limited Warranty is valid only on Products purchased and received from an HCC authorized dealer in the fifty United States, the District of Columbia and Canada. This Limited Warranty applies only to Products in non-commercial use and does not extend to Products used in commercial applications.

How To Obtain Warranty Service: If the Product fails during the Limited Warranty Period for reasons covered by this Limited Warranty, the Purchaser must immediately contact the dealer from whom the Product was purchased or HCC at [888.905.7463](tel:888.905.7463). Purchaser is responsible for making the Product reasonably accessible for service or for paying the cost to make the Product reasonably accessible for service. Service is to be provided during normal business hours of the authorized Hestan Commercial Service Provider. To the extent Purchaser requests service outside of the normal business hours of the authorized Hestan Commercial Service Provider, Purchaser will pay the difference between regular rates and overtime or premium rates. Purchaser is required to pay all travel costs for travel beyond 50 miles (one way) from the nearest authorized Hestan Commercial Service Provider.

Extensions To One Year Limited Warranty Period: In addition to the One-Year Limited Warranty, the following components have extended warranty coverage as specifically set forth below:

1. The Product’s stainless steel grill body, stainless tubular grill burners, Sear burners and rotisserie infrared burner (where applicable) are warranted to be free from defects in material and workmanship under normal non-commercial use and service for the lifetime of the original Purchaser. This excludes surface corrosion, scratches, and discoloration which may occur during normal use and is limited to replacement of the defective part(s), with the Purchaser paying all other costs, including labor, shipping and handling, as applicable.
2. The Product’s cooking grates and warming rack are warranted to be free from defects in material and workmanship under normal non-commercial use and service, for a period of ten (10) years from the original date of purchase. This excludes surface corrosion, scratches, and discoloration which may occur during normal use and is limited to replacement of the defective part(s), with the Purchaser paying all other costs, including labor, shipping and handling, as applicable.
3. The Product’s spit rod, briquette trays, manifolds, gas valves and sealed burner assemblies (where applicable) are warranted to be free from defects in material and workmanship, under normal non-commercial use and service, for a period of five (5) years from the original date of purchase. This is limited to replacement of the defective parts, with the Purchaser paying all other costs, including labor, shipping, and handling, as applicable.
4. All other grill components are warranted to be free from defects in material and workmanship, under normal noncommercial use and service, for a period of two (2) years from the original date of purchase. This is limited to replacement of the defective parts, with the Purchaser paying all other costs, including labor, shipping, and handling, as applicable.

What This Limited Warranty Does Not Cover: This Limited Warranty does not cover and HCC will not be responsible for and will not pay for: damage to or defects in any Product not purchased from an HCC authorized dealer; color variations in color finishes or other cosmetic damage; failure or damage from abuse, misuse, accident, fire, natural disaster, commercial use of the Product, or loss of electrical power or gas supply to the Product; damage from alteration, improper installation, or improper operation of the Product; damage from improper or unauthorized repair or replacement of any part or component of the Product; damage from service by someone other than an authorized agent or representative of the Hestan Commercial Service Network; normal wear and tear; damage from exposure of the Product to a corrosive atmosphere containing chlorine, fluorine, or any other damaging chemicals; damage resulting from the failure to provide normal care and maintenance to the Product; damage HCC was not notified of within the Limited Warranty Period; and incidental and consequential damages caused by any defective material or workmanship.

Arbitration: This Limited Warranty is governed by the Federal Arbitration Act. Any dispute between Purchaser and HCC regarding or related to the Product or to this Limited Warranty shall be resolved by binding arbitration only on an individual basis with Purchaser. Arbitration will be conducted by the American Arbitration Association (“AAA”) in accordance with its Consumer Arbitration Rules or by JAMS. The arbitration hearing shall be before one arbitrator appointed by the AAA or JAMS. The arbitrator shall not conduct class arbitration and Purchaser shall not bring any claims against HCC in a representative capacity on behalf of others.

Limitation Of Liability: This Limited Warranty is the final, complete and exclusive agreement between HCC and Purchaser regarding the Product.

THERE ARE NO EXPRESS WARRANTIES OTHER THAN THOSE LISTED AND DESCRIBED ABOVE. NO WARRANTIES WHETHER EXPRESS OR IMPLIED, INCLUDING, BUT NOT LIMITED TO, ANY IMPLIED WARRANTIES OF MERCHANTABILITY OR FITNESS FOR A PARTICULAR PURPOSE SHALL APPLY AFTER THE LIMITED WARRANTY PERIOD STATED ABOVE. NO OTHER EXPRESS WARRANTY OR GUARANTY GIVEN BY ANY PERSON, FIRM OR CORPORATION WITH RESPECT TO THIS PRODUCT SHALL BE BINDING ON HCC. HCC ASSUMES NO RESPONSIBILITY THAT THE PRODUCT WILL BE FIT FOR ANY PARTICULAR PURPOSE, EXCEPT AS OTHERWISE PROVIDED BY APPLICABLE LAW.

HCC SHALL NOT BE LIABLE FOR LOSS OF REVENUE OR PROFITS, FAILURE TO REALIZE SAVINGS OR OTHER BENEFITS, OR ANY OTHER SPECIAL, INCIDENTAL OR CONSEQUENTIAL DAMAGES CAUSED BY THE USE, MISUSE OR INABILITY TO USE THE

ASPIRE BY HESTAN WARRANTY

OUTDOOR GAS PRODUCT LIMITED WARRANTY

PRODUCT, REGARDLESS OF THE LEGAL THEORY ON WHICH THE CLAIM IS BASED, AND EVEN IF HCC HAS BEEN ADVISED OF THE POSSIBILITY OF SUCH DAMAGES. NO RECOVERY OF ANY KIND AGAINST HCC SHALL BE GREATER IN AMOUNT THAN THE PURCHASE PRICE OF THE PRODUCT.

WITHOUT LIMITING THE FOREGOING, YOU ASSUME ALL RISK AND LIABILITY FOR LOSS, DAMAGE OR INJURY TO YOU AND YOUR PROPERTY AND TO OTHERS AND THEIR PROPERTY ARISING OUT OF THE USE, MISUSE OR INABILITY TO USE THE PRODUCT NOT CAUSED DIRECTLY BY THE NEGLIGENCE OF HCC. THIS LIMITED WARRANTY STATES YOUR EXCLUSIVE REMEDY.

No oral or written representation or commitment given by anyone, including but not limited to, an employee, representative or agent of HCC will create a warranty or in any way increase the scope of this express Limited One Year Warranty. If there is any inconsistency between this Limited Warranty and any other agreement or statement included with or relating to the Product, this Limited Warranty shall govern. If any provision of this Limited Warranty is found invalid or unenforceable, it shall be deemed modified to the minimum extent necessary to make it enforceable and the remainder of the Limited Warranty shall remain valid and enforceable according to its terms.

Interaction Of Laws With This Limited Warranty: Some states, provinces or territories may not allow limitations on how long an implied warranty lasts or the exclusion or limitation of incidental or consequential damages, so the above limitations or exclusions may not apply to you. Some states, provinces or territories may provide for additional warranty rights and remedies, and the provisions contained in this Limited Warranty are not intended to limit, modify, take away from, disclaim or exclude any mandatory warranty requirements provided by states, provinces or territories, including certain implied warranties. This warranty gives you specific legal rights, and you may also have other rights which vary depending on location.

Any questions about this Limited Warranty may be directed to
Hestan Commercial Corporation at (888) 905-7463

Warranty Summary

Item	Hestan Outdoor	Aspire by Hestan
Stainless Steel Grill Body	Lifetime	Lifetime
Stainless Steel Tubular Grill Burners	Lifetime	Lifetime
Sear Burners	Lifetime	Lifetime
Rotisserie Infrared Burner (where applicable)	Lifetime	Lifetime
Cooking Grates	Lifetime	Ten Years
Warming Rack	Lifetime	Ten Years
Spit Rod	Five Years	Five Years
Manifolds	Five Years	Five Years
Briquette Trays	Five Years	Five Years
Gas Valves	Five Years	Five Years
Sealed Burner Assemblies (where applicable)	Five Years	Five Years
All other grill components	Two Years	Two Years

TERMS AND CONDITIONS

Orders: All orders and any subsequent change orders must be submitted in writing and delivered to Pinnacle Express, Inc. by mail, fax or e-mail. No telephone orders will be accepted. Special Order items are Non-Cancellable.

Prices: All prices are subject to change without notice and are exclusive of any sales or use taxes, shipping, delivery, special packaging, or handling charges that may apply to each customer or to each order.

Minimum Advertised Pricing: All sales are subject to Pinnacle Express, Inc. or Manufacturer minimum advertised prices. Failure to comply with minimum advertised prices will result in cancellation of any agreement and violators will not be entitled to purchase further products.

Minimum Sale Price: All sales are subject to Pinnacle Express, Inc. or Manufacturer minimum sale prices. Failure to comply with minimum sale prices will result in cancellation of any agreement and violators will not be entitled to purchase further products.

Freight and Handling: Pinnacle Express, Inc. reserves the right to ship products by its choice of carrier. All shipments are F.O.B. from place of shipment, and risk of loss shall pass to the Buyer upon delivery to the carrier at the point of shipment. Additional charges may apply for special handling and packaging.

Deliveries: Pinnacle Express, Inc. shall not be liable for failure to deliver or for delays in delivery or performance due to: (1) causes beyond its reasonable control; (2) acts of God, acts of Buyer, acts of civil or military authority, governmental allocations or controls, fires, strikes or other labor difficulties, riots or other civil disturbances, delays in its usual source of supply, delays in transportation; (3) any other commercial impracticability. In the event of such delay, the date of delivery or performance shall be extended for a period equal to the time lost by reason of the delay.

Claims: All claims for non-conforming delivery of Products must be made within fifteen (15) days of receipt of shipment.

Damage or Loss: Any claim for damage or loss in shipment should be made to the carrier immediately by the customer. Products become the responsibility of the Buyer when accepted by the carrier in good condition from Pinnacle Express, Inc. and we are not able to process shipping damage claims.

Returns: Only Items marked in this Price List as "Stock Item" are subject to return. All other items are considered Special Order Items and are NOT RETURNABLE. No Products may be returned without a Pinnacle Express, Inc. Return Goods Authorization (RGA) Number issued prior to the return of Product. Any product returned without an RGA will be refused and returned to the sender. RGA's are valid for thirty (30) days only. All returns are subject to inspection before being approved for credit - products must be in salable condition to be considered for return or replacement. A 20% restocking charge will apply to all returns.

Payment: Unless otherwise noted, payment terms are Net Due on Receipt. Balances owed on invoices over 30 days old are subject to a 1.5% per month charge. Each shipment or delivery shall be deemed to have been sold under a separate and or independent contract and payment thereof shall be made in accordance with the terms of this agreement and of the invoice rendered by Pinnacle Express, Inc. Buyer agrees that title to the personal property described herein shall not vest in Buyer until paid in full. In the event of insolvency or the filing of bankruptcy by the Buyer, Buyer agrees to return all merchandise to Pinnacle Express, Inc.

Warranties: Products distributed by Pinnacle Express, Inc. are the products of reputable manufacturers sold under their respective brand or trade names. Pinnacle Express, Inc. shall use its best efforts to obtain from each manufacturer, in accordance with the manufacturer's warranty or customary practice, the repair or replacement of products that may prove defective in material or workmanship. The foregoing shall constitute the exclusive remedy of the Buyer and the sole obligation of Pinnacle Express, Inc. Except as to Title, THERE ARE NO WARRANTIES, EITHER WRITTEN, ORAL, IMPLIED, OR STATUTORY relating to the described products which shall extend beyond that described in this paragraph. NO WARRANTY OF MERCHANTABILITY OR OF FITNESS FOR PURPOSE SHALL APPLY.

Limitation of Liability: Pinnacle Express, Inc.'s liability on any claims for loss or damage arising out of this contract or from the performance or breach thereof or connected with the supplying of products hereunder, or its sale, resale, operation or use, whether based on warranty, contract, negligence or other grounds shall not exceed the price allowable for such products or parts thereof involved in the claim. Pinnacle Express, Inc. shall not, under any circumstances, be liable for any labor charges unless agreed upon in advance and in writing by Pinnacle Express, Inc. and the manufacturer of the products involved. Pinnacle Express, Inc. shall not in any event be liable for special or consequential damages, including, but not limited to, loss of profits or revenue, loss of use of the product or any associated product, cost of capital, cost of substitute products, facilities or services, downtime costs, or claims of customers of the Buyer for such damages.

General: The possession of this Price List by anyone is not to be considered as an offer to sell any of the Products contained herein. This Price List supersedes all previous price lists or memorandums. Pinnacle Express, Inc.'s existing Trade Terms and Conditions remain in effect. The above Terms and Conditions shall be a part of all Orders accepted by Pinnacle Express, Inc. and shall supersede any conflicting provisions of our customer's purchase orders. These terms and conditions are subject to change without notice.

PRODUCT REGISTRATION



Please go to outdoor.hestan.com/register-your-grill.com to register your new Hestan grill warranty.

Product must be registered in order to activate warranty on your Hestan Outdoor Grill.

Service Requests

For warranty and service inquiries, please contact Pinnacle Express at 800-292-8374 or reach us by email at service@pinnacleexpress.com.

Please have the following information available:

- Model Number
- Serial Number
- Date of Installation
- Description of the Problem



Pinnacle Express, Inc.
P.O. Box 1836 • Dundee, FL 33838
Phone: 800-292-8374
Fax: 800-574-8805
www.pinnacleexpress.com