

Catalog Number	
Notes	Type

PSLED

Predator Small LED



The Predator LED is a robust, sustainable solution for any flood lighting application. The PSLED offers lumen packages for direct replacement of 100-1,000 watt HID floods. With energy savings exceeding 60% and expected service life over 20 years, Predator LED luminaires excel at meeting the challenges associated with flood lighting. The PSLED combines robust mechanical design features with the optical expertise, visual comfort and permanence of prismatic glass.

Mechanical

- Rugged grade A360 diecast aluminum (<1% copper)
- Tool-less access with stainless steel latches available
- Rigorous 5-stage pretreatment polyester topcoat to ensure maximum durability that achieves a scribe creepage rating of 8 after 5,000 hours of salt spray
- Adjustable knuckle-mount option, designed to fit 2.375 inch to 2.875 inch tenon with wireway access door
- Adjustable yoke mount option available in galvanized or stainless steel finish
- Tether securely holds cover in place during installation
- All Mountings are 3G vibration rated per ANSI C136.31
- IP66 per IEC60068-2-3

Electrical

- Standard surge protection is 20kV/10kA "Extreme Level" per ANSI C136.2
- Optional surge protection is 10kV/5kA per ANSI C136.2
- LED light engines are rated > 100,000 at 25°C, L70
- Electronic driver has an expected life of > 100,000 hours at 25°C
- Rated for -40°C / (-40°F) minimum ambient
- Programmable electronic driver with 0-10V control leads
- Driver voltage options: 120-277V 50/60 Hz and 347 50/60 Hz and 480V 50/60 Hz
- Single and double fusing options available

Optical

- Performance is comparable to 100-400 watt HPS or 175-1,000 watt MH
- Borosilicate prismatic glass ensures longevity and minimizes dirt depreciation and improves visual comfort

NEMA optical patterns:

- 4x4, Narrow Spot Flood
- 4x5, Medium Flood
- 5x5, Flood
- 6x6, Wide Flood
- 6x5, Wide Flood Rectangle
- 3000K, 4000K and 5000K CCT, 70 CRI
- Full Visor option available
- Upper/Bottom Visor option available
- Vandal Guard option available
- Wire guard kit option available

Controls

- 7 pin rotatable NEMA photocontrol receptacle
- 3 pin rotatable NEMA photocontrol receptacle
- Premium solid-state locking-style photocontrol – 10 year rated life
- Extreme long life solid state locking-style photocontrol – 20 year rated life
- Field adjustable output
- nLight Air motion and daylight sensor
- DALI driver option (consult with factory)

Certification & Standards

- CSA Certified to US and Canadian standards for wet location
- Marine environment listed with stainless steel yoke selection and without photo control receptacle.
- Suitable for operation in an ambient temperature up to 40°C/ 104°F for standard product
- Designlights Consortium® (DLC) qualified product. Not all versions of this product may be DLC qualified. Please check the DLC Qualified Products List at www.designlights.org/QPL to confirm which versions are qualified.

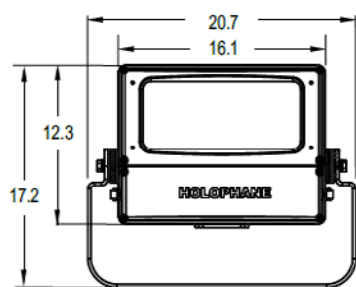
Warranty

5-year limited warranty. Complete warranty terms located at: www.acuitybrands.com/support/warranty/terms-and-conditions

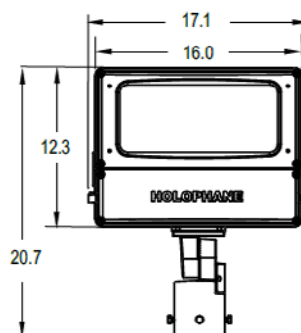
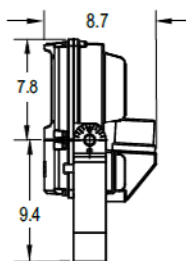
Note: Actual performance may differ as a result of end-user environment and application. All values are design or typical values, measured under laboratory conditions at 25 °C.



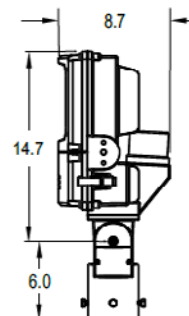
DIMENSIONAL DATA



Yoke Mount Luminaire EPA of 1.76ft² and max weight 30 lbs



Tenon Mount Luminaire EPA of 1.89ft² and max weight 28 lbs



ORDERING INFORMATION

Series	LED Performance Package	Color Temperature	Voltage	Optics	Mounting Methods
PSLED Predator Small LED	P1 5,500 Lumens	30K 3000K CCT	MVOLT Multiple voltage (120V - 277V)	44 Narrow Spot Flood (4x4)	KM Tenon Slipfitter - knuckle (cord/leads exit bottom slipfitter)
	P2 7,300 Lumens	40K 4000K CCT	347 347V	45 Medium Flood (4x5)	
	P3 12,300 Lumens	50K 5000K CCT	480 480V	55 Flood (5x5)	KS Tenon Slipfitter - knuckle (cord exit side of slipfitter)
	P4 17,600 Lumens		XVOLT 277V-480V	66 Wide Flood (6x6)	
	P5 21,700 Lumens			65 Wide Flood Rectangle (6x5)	
	P6 27,200 Lumens				YMS Yoke Stainless Steel
	P7 32,300 Lumens				YMG Yoke Galvanized Steel

Color	Surge Protection	Miscellaneous	Cord Length	Cord Type
BKSDP Black Paint	20KV STANDARD OPTION: 20kV/10kA w/Indictor Light Extreme Surge (fail off) 10KVMP 10kV/5kA MOV pack (fail on)	TL Tool-less entry with latches	04 4 ft cord length	23 12 gage, 3 conductor
BZSDP Bronze Paint		XL No terminal block cover and not certified	05 5 ft cord length	43 14 gage, 3 conductor
GHSDP Graphite Paint		NL Nema Label	06 6 ft cord length	63 16 gage, 3 conductor
GYS DP Gray Paint		WL Wet Location listed	08 8 ft cord length	
WHSDP White Paint		MRE ² Marine Listed	10 10 ft cord length	

Options / Controls	Accessories (Shipped Separately)
PR3 3 pin rotatable NEMA receptacle	PSLEDFV-BKSDP Full Visor - Black Paint
PR7 7 pin rotatable NEMA receptacle	PSLEDFV-BZSDP Full Visor - Bronze Paint
NR No PER receptacle	PSLEDFV-GHSDP Full Visor - Graphite Paint
PCLL Solid State Long Life Photocontrol	PSLEDFV-GYSDP Full Visor - Gray Paint
PCSS Solid State Photocontrol	PSLEDFV-WHSDP Full Visor - White Paint
HRSBOR nLight Air Occ. and daylight sensor (15-30 ft) ¹	PSLEDUBV-BKSDP Upper/Bottom Visor - Black Paint
LRSBOR nLight Air Occ. and daylight sensor (8-15 ft) ¹	PSLEDUBV-BZSDP Upper/Bottom Visor - Bronze Paint
SH Shorting Cap	PSLEDUBV-GHSDP Upper/Bottom Visor - Graphite Paint
F1 Single Fusing	PSLEDUBV-GYSDP Upper/Bottom Visor - Gray Paint
F2 Double Fusing	PSLEDUBV-WHSDP Upper/Bottom Visor - White Paint
AO Field Adjustable Output	PSLEDVG Vandal Guard
DALI DALI Driver - Consult Factory	PSLEDWG Wire Guard

Note:
 1 Only available with KM mounting method.
 2 Requires stainless yoke mount (YMS) and cannot be configured with photo control receptacle PR3 or PR7.

MOUNTING OPTIONS



VISORS & GUARD ACCESSORIES



OPTIONS MATRIX

PSLED	LED Packages							Voltage				Controls								Options					
	P1	P2	P3	P4	P5	P6	P7	MVOLT	347	480	XVOLT	PR7	PR3	NR	PCLL	PCSS	HRSBOR	LRSBOR	SH	AO	DALI	F1	F2	TL	NL
LED Packages	P1							Y	Y	Y	Y	Y	Y	Y	Y	Y	Y	Y	Y	Y	Y	Y	Y	Y	Y
	P2							Y	Y	Y	Y	Y	Y	Y	Y	Y	Y	Y	Y	Y	Y	Y	Y	Y	Y
	P3							Y	Y	Y	Y	Y	Y	Y	Y	Y	Y	Y	Y	Y	Y	Y	Y	Y	Y
	P4							Y	Y	Y	Y	Y	Y	Y	Y	Y	Y	Y	Y	Y	Y	Y	Y	Y	Y
	P5							Y	Y	Y	Y	Y	Y	Y	Y	Y	Y	Y	Y	Y	Y	Y	Y	Y	Y
	P6							Y	N	N	N	Y	Y	Y	Y	Y	Y	Y	Y	Y	Y	N	Y	Y	Y
	P7							Y	N	N	N	Y	Y	Y	Y	Y	Y	Y	Y	Y	Y	N	Y	Y	Y
Voltage	MVOLT	Y	Y	Y	Y	Y	Y					Y	Y	Y	Y	Y	Y	Y	Y	Y	Y	Y	Y	Y	
	347	Y	Y	Y	Y	Y	N	N					Y	Y	Y	Y	N	Y	Y	Y	Y	Y	Y	Y	
	480	Y	Y	Y	Y	Y	N	N					Y	Y	Y	Y	N	Y	Y	Y	Y	Y	Y	Y	
	XVOLT	Y	Y	Y	Y	Y	N	N					Y	Y	Y	Y	Y	Y	Y	Y	Y	Y	Y	Y	
Controls	PR7	Y	Y	Y	Y	Y	Y	Y	Y	Y	Y		N	Y	Y	Y	N	N	Y	Y	Y	Y	Y	Y	
	PR3	Y	Y	Y	Y	Y	Y	Y	Y	Y	Y	N		Y	Y	Y	N	N	Y	Y	Y	Y	Y	Y	
	NR	Y	Y	Y	Y	Y	Y	Y	Y	Y	Y	Y	Y		Y	Y	Y	Y	N	Y	Y	Y	Y	Y	
	PCLL	Y	Y	Y	Y	Y	Y	Y	Y	Y	N	Y	Y	Y		N	N	N	N	Y	Y	Y	Y	Y	
	PCSS	Y	Y	Y	Y	Y	Y	Y	N	N	N	Y	Y	Y	N		N	N	N	Y	Y	Y	Y	Y	
	HRSBOR	Y	Y	Y	Y	Y	Y	Y	Y	Y	Y	N	N	Y	N	N		N	N	N	N	Y	Y	Y	
	LRSBOR	Y	Y	Y	Y	Y	Y	Y	Y	Y	Y	N	N	Y	N	N	N		N	N	N	Y	Y	Y	
	SH	Y	Y	Y	Y	Y	Y	Y	Y	Y	Y	Y	Y	N	N	N	N	N		Y	Y	Y	Y	Y	
	AO	Y	Y	Y	Y	Y	Y	Y	Y	Y	Y	Y	Y	Y	Y	Y	N	N	Y		N	Y	Y	Y	
	DALI	Y	Y	Y	Y	Y	N	N	Y	Y	Y	Y	Y	Y	Y	Y	Y	N	N	Y	N		Y	Y	
Options	F1	Y	Y	Y	Y	Y	Y	Y	Y	Y	Y	Y	Y	Y	Y	Y	Y	Y	Y	Y	N		N	Y	
	F2	Y	Y	Y	Y	Y	Y	Y	Y	Y	Y	Y	Y	Y	Y	Y	Y	Y	Y	Y	Y	N		Y	
	TL	Y	Y	Y	Y	Y	Y	Y	Y	Y	Y	Y	Y	Y	Y	Y	Y	Y	Y	Y	Y	Y		Y	
	NL	Y	Y	Y	Y	Y	Y	Y	Y	Y	Y	Y	Y	Y	Y	Y	Y	Y	Y	Y	Y	Y	Y		

MATRIX KEY

N = Combination Not available
 Y = Valid Option Combination

LUMINAIRE AMBIENT TEMPERATURE FACTOR

0°C	15°C	25°C	35°C	40°C
1.03	1.01	1.00	0.99	0.98

ELECTRICAL LOAD

Performance Package	Watts	Current (A)					
		120V	208V	240V	277V	347V	480V
P1	37	0.307	0.176	0.154	0.135	0.104	0.079
P2	52	0.417	0.238	0.207	0.18	0.143	0.105
P3	83	0.694	0.405	0.358	0.315	0.245	0.18
P4	123	0.995	0.574	0.501	0.442	0.349	0.254
P5	154	1.266	0.727	0.633	0.551	0.443	0.32
P6	201	1.69	0.96	0.84	0.74		
P7	254	2.31	1.33	1.15	0.999		

PERFORMANCE DATA

Performance Package	Distribution	Input Watts	30K (3000K CCT, 70 CRI)		40K (4000K CCT, 70 CRI)		50K (5000K CCT, 70 CRI)		LLD @ 25°C		
			Lumens	LPW	Lumens	LPW	Lumens	LPW	50k Hours	75k Hours	100k Hours
P1	44	37	4,104	111	4,185	113	4,261	115	0.92	0.89	0.85
	45		5,481	148	5,589	151	5,690	154			
	55		5,622	152	5,733	155	5,837	158			
	65		5,319	144	5,424	147	5,522	149			
	66		5,553	150	5,662	153	5,764	156			
P2	44	50	5,472	109	5,579	112	5,680	114	0.92	0.89	0.85
	45		7,307	146	7,451	149	7,585	152			
	55		7,495	150	7,643	153	7,781	156			
	65		7,091	142	7,230	145	7,361	147			
	66		7,402	148	7,548	151	7,685	154			
P3	44	83	9,218	111	9,400	113	9,570	115	0.92	0.89	0.85
	45		12,310	148	12,552	151	12,779	154			
	55		12,627	152	12,876	155	13,109	158			
	65		11,945	144	12,181	147	12,401	149			
	66		12,471	150	12,716	153	12,946	156			
P4	44	123	13,219	107	13,480	110	13,724	112	0.92	0.89	0.85
	45		17,653	144	18,001	146	18,327	149			
	55		18,108	147	18,465	150	18,799	153			
	65		17,131	139	17,468	142	17,784	145			
	66		17,884	145	18,236	148	18,566	151			
P5	44	154	16,289	106	16,610	108	16,911	110	0.92	0.89	0.85
	45		21,753	141	22,181	144	22,583	147			
	55		22,314	145	22,753	149	23,165	150			
	65		21,109	137	21,525	146	21,914	142			
	66		22,037	143	22,471	138	22,878	149			
P6	44	200	20,366	102	20,768	104	21,143	106	0.92	0.89	0.85
	45		27,197	136	27,733	139	28,235	141			
	55		27,898	139	28,448	142	28,962	145			
	65		26,392	132	26,912	135	27,399	137			
	66		27,553	138	28,095	140	28,604	143			
P7	44	251	24,260	97	24,738	99	25,185	100	0.92	0.89	0.85
	45		32,397	129	33,035	132	33,632	134			
	55		33,232	132	33,886	135	34,499	137			
	65		31,438	125	32,057	128	32,637	130			
	66		32,820	131	33,467	133	34,072	136			