



2019 NORTH AMERICAN PRODUCT CATALOG RESIDENTIAL EQUIPMENT

PRODUCT CATALOG

April 2019
Supersedes February 2019





GAS FURNACES

SLP98UHV... 1
SLP98DFV... 3
SL297UHNV... 7
SL280UHV... 11
SL280DFV... 13
EL296UHV... 17
EL296DFV... 19
EL296UHE... 23
EL296DFE... 25
EL196UHE... 29
EL196DFE... 31
EL195UHNE... 35
EL280UHE... 39
EL280DFE... 41

ML296UHV... 45
ML296DFV... 47
ML195UH... 51
ML195DF... 53
ML193UHE... 57
ML193DFE... 59
ML180UHE... 63
ML180DFE... 65
ML180UH... 69
ML180DF... 71

GAS UNIT HEATERS / DUCT FURNACES

LF24... 1
Horizontal, Low Profile, Gas-Fired Unit Heaters; Steady State Efficiency - Up to 81.0%; Input - 30,000 to 75,000 Btuh

OIL FURNACES

SLO185UFV... 1
SLO185BV... 3
ELO183UF... 5
ELO183B... 7
ELO183DH... 9

NOTE - Due to Lennox' ongoing commitment to quality, Specifications, Ratings and Dimensions subject to change without notice and without incurring liability. Improper installation, adjustment, alteration, service or maintenance can cause property damage or personal injury. Installation and service must be performed by a qualified installer and servicing agency.



WATER HEATERS / BOILERS

GWM-IE 1
Gas-Fired, Modulating, Condensing, Wall Hung Hot Water Boiler; AFUE - 95%; Input - 50,000 to 200,000 Btuh
GWB9-IH 3
Gas-Fired - Hot Water Boiler; AFUE - 90% ; Input - 50,000 to 100,000 Btuh
GWB8-IE 5
Gas-Fired - Hot Water Boiler; AFUE - Up to 84.4%; Input - 42,000 to 225,000 Btuh
GWB8-E 7
Gas-Fired - Hot Water Boiler; AFUE - Up to 83.9% ; Input - 50,000 to 299,000 Btuh
GSB8-E 9
Gas-Fired - Steam Boiler; AFUE - Up to 82.7%; Input - 75,000 to 299,000 Btuh
COWB3 11
Oil-Fired - Hot Water Boiler; AFUE - Up to 85.2%; Input - 105,000 to 245,000 Btuh
CBWMV 13
Residential Hot Water Air Handler; Heating Capacity - 23,700 to 220,000 Btuh; Add-On Cooling - 2 - 5 Tons

AIR CONDITIONERS

XC25 1
R-410A - Variable-Capacity Scroll Compressor; SEER - Up to 26.00; 2 to 5 Tons
XC21 3
R-410A - Two-Stage Scroll Compressor; SEER - Up to 21.00; 2 to 5 Tons
SL18XC1 5
R-410A - Scroll Compressor - SilentComfort™ Technology; SEER - Up to 18.50; 2 to 5 Tons
XC20 7
R-410A - Variable-Capacity Scroll Compressor; SEER - Up to 20.00; 2 to 5 Tons
XC16 9
R-410A - Two-Stage Scroll Compressor; SEER - Up to 17.00; 2 to 5 Tons
EL16XC1 11
R-410A - Scroll Compressor; SEER - Up to 17.90; 1.5 to 5 Tons
XC13N 13
R-410A - Scroll Compressor; SEER - Up to 15.50; 1.5 to 5 Tons
ML14XC1 15
R-410A - Scroll Compressor; SEER - Up to 17.00; 1.5 to 5 Tons
16ACX 17
R-410A - Two-Stage Scroll Compressor; SEER - Up to 17.00; 2 to 5 Tons
14ACX 19
R-410A - Scroll Compressor; SEER - Up to 16.00; 1.5 to 5 Tons
13ACXN 21
R-410A - Scroll Compressor; SEER - Up to 15.50; 1.5 to 5 Tons

HEAT PUMP OUTDOOR UNITS

XP25 1
R-410A - Variable-Capacity Scroll Compressor; SEER - Up to 23.50; 2 to 5 Tons
XP21 3
R-410A - Two-Stage Scroll Compressor - SilentComfort™ Technology; SEER - Up to 19.20; 2 to 5 Tons
SL18XP1 5
R-410A - Scroll Compressor - SilentComfort™ Technology; SEER - Up to 18.50; 2 to 5 Tons
XP20 7
R-410A - Variable-Capacity Scroll Compressor; SEER - Up to 20.00; 2 to 5 Tons
XP16 9
R-410A - Two-Stage Scroll Compressor; SEER - Up to 17.00; 2 to 5 Tons
EL16XP1 11
R-410A - Scroll Compressor; SEER - Up to 17.00; 1.5 to 5 Tons
EL15XP1 13
R-410A - Scroll Compressor; SEER - Up to 17.90; 1.5 to 5 Tons
XP14 15
R-410A; SEER - Up to 16.50; 1.5 to 5 Tons
ML16XP1 17
R-410A; SEER - Up to 17.00; 1.5 to 5 Tons
ML14XP1 19
R-410A; SEER - Up to 16.00; 1.5 to 5 Tons
16HPX 21
R-410A - Two-Stage Scroll Compressor; SEER - Up to 17.00; 2 to 5 Tons
14HPX 23
R-410A; SEER - Up to 16.00; 1.5 to 5 Tons

NOTE - Due to Lennox' ongoing commitment to quality, Specifications, Ratings and Dimensions subject to change without notice and without incurring liability. Improper installation, adjustment, alteration, service or maintenance can cause property damage or personal injury. Installation and service must be performed by a qualified installer and servicing agency.



INDOOR COILS

CX35 (CASED) 1
Upflow - Cased - R-410A - Factory TXV; Quantum™ Coil - 1.5 to 5 Tons

CX38 (CASED) 3
Upflow - Cased - R-410A - Factory TXV; 1.5 to 5 Tons

C37 (CASED) 5
Upflow - Cased; 1.5 to 5 Tons

C35 (CASED) 7
Upflow - Cased - Quantum™ Coil; 1.5 to 5 Tons

C35 (UNCASED) 9
Upflow - Uncased - Quantum™ Coil; 1.5 to 5 Tons

CH33 11
Horizontal - Cased; 1.5 to 5 Tons

CHX35 13
Horizontal - Cased - R410A - Factory TXV; 1.5 to 5 Tons

CH35 15
Horizontal - Cased; 1.5 to 5 Tons

CR33 17
Downflow - Cased; 1.5 to 5 Tons

CH23 21
Horizontal - Cased; 1.5 to 5 Tons

AIR HANDLERS

CBA38MV 1
Multi-Position - R-410A - Variable Speed Blower; 1.5 to 5 Tons; Optional Electric Heat - 4 to 25 kW

CBX32M 3
Multi-Position - R-410A; 1.5 to 5 Tons; Optional Electric Heat - 2.5 to 25 kW

CBA27UH 5
Upflow / Horizontal - Quantum™ Coil - R410A; 1.5 to 5 Tons; Optional Electric Heat - 2.5 to 25 kW

CBA25UHV 7
Upflow / Horizontal - R410A - Programmable Multi-Speed Blower Motor; 1.5 to 5 Tons; Optional Electric Heat - 2.5 to 20 kW

CBA25UH 9
Upflow / Horizontal - R410A; 1.5 to 5 Tons; Optional Electric Heat - 2.5 to 20 kW

CBX25UHV (-10) 11
Upflow / Horizontal - R410A - Programmable Multi-Speed Blower Motor; 1.5 to 5 Tons; Optional Electric Heat - 2.5 to 20 kW

CBX25UH (-10) 13
Upflow / Horizontal - R410A; 1.5 to 5 Tons; Optional Electric Heat - 2.5 to 20 kW

MINI-SPLIT SYSTEMS

MPB 1
Multi-Zone Heat Pump System - R-410A; SEER - Up to 23.00
HSPF - Up to 10.3

MPB 15
Single-Zone Heat Pump System - R-410A; SEER - Up to 24.50
HSPF - Up to 11.5

MLA 25
Multi-Zone Low Ambient Heat Pump System - R-410A;
SEER - Up to 22.00
HSPF - Up to 10.5

MLA 35
Single-Zone Low Ambient Heat Pump System - R-410A;
SEER - Up to 24.00
HSPF - Up to 11.0

MCA 43
Single Zone Ductless Air Conditioning Systems - R-410A;
SEER - Up to 20.00

PACKAGED GAS/ELECTRIC

LRP16GE 1
R-410A - Two-Stage Heating/Cooling - AFUE - 81% / SEER - 16.0; 2 to 5 Tons - Net Cooling Capacity - 23,800 to 57,000 Btuh; Heating Input Capacity - 72,000 to 126,000 Btuh

LRP14GE 3
R-410A - AFUE - 81% / SEER - 14.0; 2 to 5 Tons - Net Cooling Capacity - 22,600 to 57,000 Btuh; Heating Input Capacity - 54,000 to 126,000 Btuh

PACKAGED ELECTRIC / ELECTRIC

LRP14AC 1
R-410A; SEER - 14.0 - 2 to 5 Tons; Net Cooling Capacity - 22,600 to 57,000 Btuh

PACKAGED HEAT PUMPS

LRP16HP 1
R-410A - Two-Stage Heating/Cooling - SEER - 16.0 - 2 to 5 Tons; Net Cooling Capacity - 23,800 to 57,000 Btuh; Heating Capacity - 22,000 to 56,000 Btuh

LRP14HP 3
R-410A - SEER - 14.0 - 2 to 5 Tons; Net Cooling Capacity - 22,600 to 57,000 Btuh; Heating Capacity - 22,000 to 56,000 Btuh

NOTE - Due to Lennox' ongoing commitment to quality, Specifications, Ratings and Dimensions subject to change without notice and without incurring liability. Improper installation, adjustment, alteration, service or maintenance can cause property damage or personal injury. Installation and service must be performed by a qualified installer and servicing agency.



INDOOR AIR QUALITY

PCO3S 1
 PUREAIR® S Air Purification System

PCO3 3
 PUREAIR® Air Purification System

HC11 / HC16 5
 MERV 11 and Carbon Clean 16™ (MERV 16) Media Air Cleaners

CARBON CLEAN 16™ FILTERS 7
 Boxed Filters

MERV 11 FILTERS 8
 Boxed Filters

MERV 16 FILTERS 9
 Expandable Filter Kits

MERV 11 FILTERS 10
 Expandable Filter Kits

MERV 8 FILTERS 11
 Pleated Filters

HEPA 12
 HEPA Bypass Air Filtration System

UVC 13
 Ultraviolet Germicidal Light

UV 14
 Ultraviolet Germicidal Light

LVCS 15
 Lennox Ventilation Control System

HCWP3 17
 Power Humidifier; 18 Gallons Per Day

HCWB3 18
 By-Pass Humidifier; 12 to 17 Gallons Per Day

HRV/ERV 19
 Heat Recovery Ventilator; Energy Recovery Ventilator

HCWHD 23
 Whole-Home Dehumidifier; Nominal Capacity - 70 to 130 pints per day

EDA 27
 Humiditrol® Whole-Home Dehumidification System

ZONING

IHARMONY® ZONING SYSTEM 1
 Zoning System for Residential Communicating,; Variable Air Volume Heating/Cooling Systems

HARMONY III™ ZONING SYSTEM 5
 Zone Control for Residential, Variable Air Volume; Heating/Cooling Systems

LZP-4 9
 Four Zone Control Panel; For Residential, Non-Variable Air Volume, Heating/Cooling Systems

LZP-2 10
 Dual Zone Control Panel; For Residential, Non-Variable Air Volume, Heating/Cooling Systems; Not for Heat Pump Systems

CONTROLS

ICOMFORT® S30 1
 Ultra-Smart Wi-Fi Thermostat

EIM 2
 iComfort® Equipment Interface Module (EIM)

ICOMFORT® E30 3
 Smart Wi-Fi Thermostat

ICOMFORT® M30 4
 Smart Wi-Fi Thermostat

COMFORTSENSE® 7500 5
 Touchscreen 7 Day Programmable Thermostat

COMFORTSENSE® 5500 6
 Touchscreen 7 Day Programmable Thermostats

COMFORTSENSE® 3000 7
 5-2 Day Programmable Thermostats

COMFORTSENSE® 3000 8
 Non-Programmable Thermostats

NOTE – Due to Lennox’ ongoing commitment to quality, Specifications, Ratings and Dimensions subject to change without notice and without incurring liability. Improper installation, adjustment, alteration, service or maintenance can cause property damage or personal injury. Installation and service must be performed by a qualified installer and servicing agency.



GAS FURNACES SLP98UHV

DAVE LENNOX SIGNATURE® COLLECTION

PRODUCT CATALOG

Upflow/Horizontal - Precise Comfort™ Variable Capacity Heating
AirFlex™ Variable Speed Blower - Direct Vent - SilentComfort™ Technology
AFUE - Up to 98.7% - Input - 66,000 to 132,000 Btuh

FEATURES

Heating System

- Lennox Duralok Plus™ Aluminized Steel Heat Exchanger Assembly
- Aluminized Steel Inshot Burners
- Variable Capacity Gas Control Valve with 100% Safety Shutoff
- Flame Rollout Switch
- SureLight® Hot Surface Ignitor
- Variable Speed Combustion Air Inducer
- Limit Control

Direct Vent Sealed Combustion

Direct Vent - combustion air supplied from outdoors

SureLight® Control (iComfort® compatible)

iComfort® Control communicates information about the unit to the  iComfort. So simple. So smart. So comfortable.
iComfort® S30 thermostat.

24 Volt Transformer

Applicable to the iHarmony® Zoning System.

Variable-Speed Blower Motor

High efficiency, variable speed ECM (Electronically Commutated Motor) Maintains specified air volumes up to a maximum of 1.0 in. w.g. total external static.

Variable Speed Direct Drive Blower

Each blower assembly is statically and dynamically balanced.

Cabinet

Upflow, horizontal-left or horizontal-right applications.

Bottom/end or side return air

Pre-painted cabinet finish.

Sealed blower compartment

Inner blower compartment access panel.

Fully insulated cabinet with foil-faced insulation on sides and back of heating compartment and mat-faced insulation in blower compartment.

Low Leakage Cabinet

Less than 2%.

NOTE - Due to Lennox' ongoing commitment to quality, Specifications, Ratings and Dimensions subject to change without notice and without incurring liability. Improper installation, adjustment, alteration, service or maintenance can cause property damage or personal injury. Installation and service must be performed by a qualified installer and servicing agency.



Coil Match-up

All furnaces match Lennox cased upflow indoor coils and horizontal indoor coils with same letter designation (A, B, C, D) as in the furnace model number.

LIMITED WARRANTY

Heat Exchanger - Lifetime (twenty-year transferable). All other covered components - ten years.

Refer to Lennox Equipment Limited Warranty certificate included with equipment for details.

NOTE - Not For Twinning!

Furnace Width	"B"	"C"	"D"
A Dimension	17-1/2 (446)	21 (533)	24-1/2 (622)
B Dimension	16-3/8 (416)	19-7/8 (454)	23-3/8 (546)
Bottom return	Width	16 (406)	23 (584)
	Depth	23-1/2 (597)	23-1/2 (597)

ACCESSORIES

See page 5

Cabinet

- Condensate Kits
- Condensate Drain Heat Cable
- Crawl Space Vent Drain Kit
- Horizontal Suspension Kit
- Return Air Base - Upflow Only

Controls

- iComfort® S30 Thermostat
- ComfortSense® 7500 Thermostat
- Thermostat
- iHarmony® Zoning System

Filter Kits

- Air Filter and Rack Kits

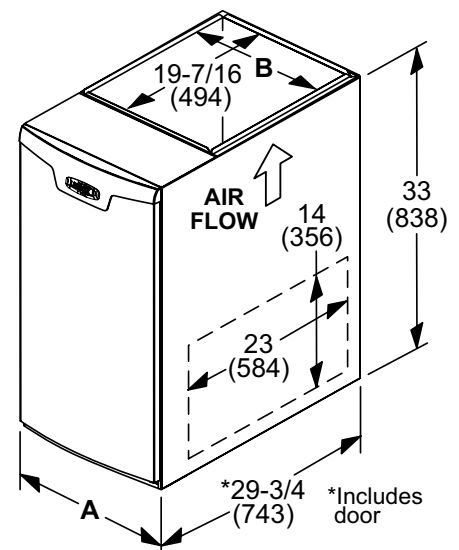
Gas Heating

- Gas Conversion Kits
- High Altitude Pressure Switch Kits
- Termination Kits

Service Kits

- Night Service Kit

DIMENSIONS



SPECIFICATIONS

Gas Heating Performance	Model No.	SLP98UH070XV36B	SLP98UH090XV36C	SLP98UH090XV48C
	¹ AFUE	98.1%	98.1%	98.2%
Maximum	Input - Btuh	66,000	88,000	88,000
	Output - Btuh	64,000	85,000	85,000
	Temperature rise range - °F	50 - 80	60 - 90	50 - 80
	Gas Manifold Pressure (in. w.g.) NG/LPG	3.5 / 10.0	3.5 / 10.0	3.5 / 10.0
Minimum	Input - Btuh	23,000	31,000	31,000
	Output - Btuh	22,000	30,000	30,000
	Temperature rise range - °F	35 - 65	35 - 65	35 - 65
	Gas Manifold Pressure (in. w.g.) NG/LPG	0.5 / 1.5	0.5 / 1.5	0.5 / 1.5
	High static - in. w.g.	0.8	0.8	0.8
Connections in.	Intake / Exhaust Pipe (PVC)	2 / 2	2 / 2	2 / 2
	Gas pipe size IPS	1/2	1/2	1/2
	Condensate Drain Trap (PVC pipe) - i.d.	3/4	3/4	3/4
	with furnished 90° street elbow with field supplied (PVC coupling) - o.d.	3/4 slip x 3/4 Mipt 3/4 slip x 3/4 MPT	3/4 slip x 3/4 Mipt 3/4 slip x 3/4 MPT	3/4 slip x 3/4 Mipt 3/4 slip x 3/4 MPT
Indoor Blower	Wheel nominal diameter x width - in.	10 x 9	10 x 9	11 x 11
	Motor output - hp	1/2	1/2	3/4
	Tons of add-on cooling	2 - 3	2 - 3.5	2.5 - 4
	Air Volume Range - cfm	339 - 1365	520 - 1360	528 - 1770
Electrical Data	Voltage (Maximum Amps)	120 volts - 60 hertz - 1 phase		
	Blower motor full load amps	7.7	7.7	10.1
	Maximum overcurrent protection	15	15	15
Shipping Data	lbs. - 1 package	138	155	165

NOTE - Filters and provisions for mounting are not furnished and must be field provided.

¹ Annual Fuel Utilization Efficiency based on DOE test procedures and according to FTC labeling regulations. Isolated combustion system rating for non-weatherized furnaces.

SPECIFICATIONS

Gas Heating Performance	Model No.	SLP98UH090XV60C	SLP98UH110XV60C	SLP98UH135XV60D
	¹ AFUE	98.7%	98.1%	98.4%
Maximum	Input - Btuh	88,000	110,000	132,000
	Output - Btuh	87,000	106,000	128,000
	Temperature rise range - °F	50 - 80	50 - 80	55 - 85
	Gas Manifold Pressure (in. w.g.) NG/LPG	3.5 / 10.0	3.5 / 10.0	3.5 / 10.0
Minimum	Input - Btuh	31,000	39,000	46,000
	Output - Btuh	30,000	38,000	45,000
	Temperature rise range - °F	35 - 65	35 - 65	35 - 65
	Gas Manifold Pressure (in. w.g.) NG/LPG	0.5 / 1.5	0.5 / 1.5	0.5 / 1.5
	High static - in. w.g.	0.8	0.8	0.8
Connections in.	Intake / Exhaust Pipe (PVC)	2 / 2	2 / 2	2 / 2
	Gas pipe size IPS	1/2	1/2	1/2
	Condensate Drain Trap (PVC pipe) - i.d.	3/4	3/4	3/4
	with furnished 90° street elbow with field supplied (PVC coupling) - o.d.	3/4 slip x 3/4 Mipt 3/4 slip x 3/4 MPT	3/4 slip x 3/4 Mipt 3/4 slip x 3/4 MPT	3/4 slip x 3/4 Mipt 3/4 slip x 3/4 MPT
Indoor Blower	Wheel nominal diameter x width - in.	11 x 11	11 x 11	11 x 11
	Motor output - hp	1	1	1
	Tons of add-on cooling	3 - 5	3 - 5	3.5 - 5
	Air Volume Range - cfm	375 - 2195	554 - 2125	634 - 2190
Electrical Data	Voltage (Maximum Amps)	120 volts - 60 hertz - 1 phase		
	Blower motor full load amps	12.8	12.8	12.8
	Maximum overcurrent protection	20	20	20
Shipping Data	lbs. - 1 package	165	175	190

NOTE - Filters and provisions for mounting are not furnished and must be field provided.

¹ Annual Fuel Utilization Efficiency based on DOE test procedures and according to FTC labeling regulations. Isolated combustion system rating for non-weatherized furnaces.



NOTE - Due to Lennox' ongoing commitment to quality, Specifications, Ratings and Dimensions subject to change without notice and without incurring liability. Improper installation, adjustment, alteration, service or maintenance can cause property damage or personal injury. Installation and service must be performed by a qualified installer and servicing agency.



PRODUCT CATALOG

GAS FURNACES SLP98DFV

DAVE LENNOX SIGNATURE® COLLECTION

Downflow - Precise Comfort™ Variable Capacity Heating
AirFlex™ Variable Speed Blower - Direct Vent - SilentComfort™ Technology
AFUE - 97.5% - Input - 66,000 to 110,000 Btuh

Page 3

April 2019

Supersedes February 2019

FEATURES

Heating System

Lennox Duralok Plus™ Aluminized Steel Heat Exchanger Assembly
Aluminized Steel Inshot Burners
Variable Capacity Gas Control Valve with 100% Safety Shutoff
Flame Rollout Switch
SureLight® Hot Surface Ignitor
Variable Speed Combustion Air Inducer
Limit Control
SilentComfort™ Technology

Direct Vent Sealed Combustion

Direct Vent - combustion air supplied from outdoors

SureLight® Control (iComfort® Communicating)

iComfort® Control communicates information about the unit to the iComfort® S30 thermostat.



24 Volt Transformer

Applicable to the iHarmony® Zoning System.

Variable-Speed Blower Motor

High efficiency, variable speed ECM (Electronically Commutated Motor)
Maintains specified air volumes up to a maximum of 1.0 in. w.g. total external static.

Variable Speed Direct Drive Blower

Each blower assembly is statically and dynamically balanced.

Cabinet

Downflow applications
Pre-painted cabinet finish.
Sealed blower compartment
Inner blower compartment access panel.
Fully insulated cabinet with foil-faced insulation on sides and back of heating compartment and mat-faced insulation in blower compartment.



Low Leakage Cabinet

Less than 2%.

Coil Match-up

All Lennox downflow indoor coils will physically match the furnace **supply air opening** with the same letter designation (A, B, C, D) as in the furnace model number.

LIMITED WARRANTY

Heat Exchanger - Lifetime (twenty-year transferable). All other covered components - ten years.

Refer to Lennox Equipment Limited Warranty certificate included with equipment for details.

NOTE - Not For Twinning!

Furnace Width		"B"	"C"
A Dimension		17-1/2 (446)	21 (533)
	B Dimension	16-3/8 (416)	19-7/8 (454)
Bottom supply	Width	16 (406)	19-1/2 (495)
	Depth	19-1/4 (489)	19-1/4 (489)

ACCESSORIES

See page 5

Cabinet

- Downflow Combustible Flooring Base
- Condensate Drain Heat Cable
- Crawl Space Vent Drain Kit

Controls

- iComfort® S30 Thermostat
- ComfortSense® 7500 Thermostat
- Thermostat
- iHarmony® Zoning System

Filter Kits

- Downflow Filter and Rack Kit

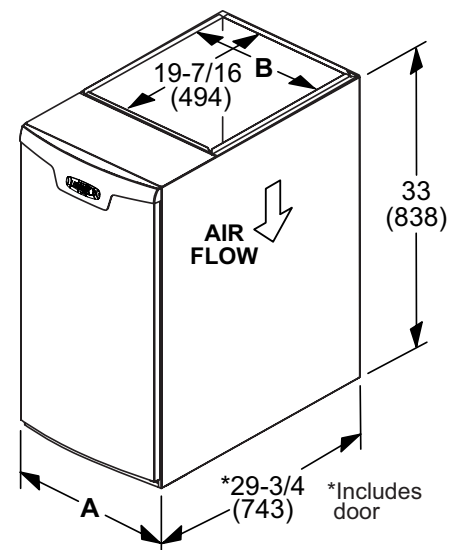
Gas Heating

- Gas Conversion Kits
- High Altitude Pressure Switch Kits
- Termination Kits
- Left Side Vent Kit

Service Kits

- Night Service Kit

DIMENSIONS



NOTE - Due to Lennox' ongoing commitment to quality, Specifications, Ratings and Dimensions subject to change without notice and without incurring liability. Improper installation, adjustment, alteration, service or maintenance can cause property damage or personal injury. Installation and service must be performed by a qualified installer and servicing agency.

SPECIFICATIONS					
Gas	Model No.	SLP98DF070XV36B	SLP98DF090XV36C	SLP98DF090XV48C	
Heating	¹ AFUE	97.5%	97.5%	97.5%	
Performance	Maximum	Input - Btuh	66,000	88,000	88,000
		Output - Btuh	64,000	84,000	85,000
	Temperature rise range - °F	50 - 80	60 - 90	50 - 80	
	Gas Manifold Pressure (in. w.g.) NG/LPG	3.5 / 10.0	3.5 / 10.0	3.5 / 10.0	
	Minimum	Input - Btuh	23,000	31,000	31,000
		Output - Btuh	22,000	30,000	30,000
	Temperature rise range - °F	35 - 65	35 - 65	35 - 65	
	Gas Manifold Pressure (in. w.g.) NG/LPG	0.5 / 1.5	0.5 / 1.5	0.5 / 1.5	
	High static - in. w.g.	0.8	0.8	0.8	
	Connections in.	Intake / Exhaust Pipe (PVC)	2 / 2	2 / 2	2 / 2
Gas pipe size IPS		1/2	1/2	1/2	
Condensate Drain Trap (PVC pipe) - i.d.		3/4	3/4	3/4	
with furnished 90° street elbow with field supplied (PVC coupling) - o.d.		3/4 slip x 3/4 Mipt 3/4 slip x 3/4 MPT	3/4 slip x 3/4 Mipt 3/4 slip x 3/4 MPT	3/4 slip x 3/4 Mipt 3/4 slip x 3/4 MPT	
Indoor Blower	Wheel nominal diameter x width - in.	10 x 9	10 x 9	11 x 11	
	Motor output - hp	1/2	1/2	3/4	
	Tons of add-on cooling	2 - 3	2 - 3	3 - 4	
	Air Volume Range - cfm	410 - 1365	488 - 1385	545 - 1745	
Electrical Data	Voltage (Maximum Amps)	120 volts - 60 hertz - 1 phase			
	Blower motor full load amps	7.7	7.7	10.1	
	Maximum overcurrent protection	15	15	15	
Shipping Data	lbs. - 1 package	140	155	165	

NOTE - Filters and provisions for mounting are not furnished and must be field provided.

¹ Annual Fuel Utilization Efficiency based on DOE test procedures and according to FTC labeling regulations. Isolated combustion system rating for non-weatherized furnaces.

SPECIFICATIONS				
Gas	Model No.	SLP98DF090XV60C	SLP98DF110XV60C	
Heating	¹ AFUE	97.5%	97.5%	
Performance	Maximum	Input - Btuh	88,000	110,000
		Output - Btuh	85,000	107,000
	Temperature rise range - °F	50 - 80	50 - 80	
	Gas Manifold Pressure (in. w.g.) NG/LPG	3.5 / 10.0	3.5 / 10.0	
	Minimum	Input - Btuh	31,000	39,000
		Output - Btuh	30,000	38,000
	Temperature rise range - °F	35 - 65	35 - 65	
	Gas Manifold Pressure (in. w.g.) NG/LPG	0.5 / 1.5	0.5 / 1.5	
	High static - in. w.g.	0.8	0.8	
	Connections in.	Intake / Exhaust Pipe (PVC)	2 / 2	2 / 2
Gas pipe size IPS		1/2	1/2	
Condensate Drain Trap (PVC pipe) - i.d.		3/4	3/4	
with furnished 90° street elbow with field supplied (PVC coupling) - o.d.		3/4 slip x 3/4 Mipt 3/4 slip x 3/4 MPT	3/4 slip x 3/4 Mipt 3/4 slip x 3/4 MPT	
Indoor Blower	Wheel nominal diameter x width - in.	11 x 11	11 x 11	
	Motor output - hp	1	1	
	Tons of add-on cooling	3.5 - 5	3.5 - 5	
	Air Volume Range - cfm	467 - 2130	575 - 2180	
Electrical Data	Voltage (Maximum Amps)	120 volts - 60 hertz - 1 phase		
	Blower motor full load amps	12.8	12.8	
	Maximum overcurrent protection	20	20	
Shipping Data	lbs. - 1 package	165	174	

NOTE - Filters and provisions for mounting are not furnished and must be field provided.

¹ Annual Fuel Utilization Efficiency based on DOE test procedures and according to FTC labeling regulations. Isolated combustion system rating for non-weatherized furnaces.



NOTE - Due to Lennox' ongoing commitment to quality, Specifications, Ratings and Dimensions subject to change without notice and without incurring liability.

Improper installation, adjustment, alteration, service or maintenance can cause property damage or personal injury.

Installation and service must be performed by a qualified installer and servicing agency.



SLP98UHV, SLP98DFV - OPTIONAL ACCESSORIES

PRODUCT CATALOG

Page 5
April 2019
Supersedes February 2019

OPTIONAL ACCESSORIES - ORDER SEPARATELY

NOTE - FURNACE CANNOT BE TWINNED!

		"B" Width	"C" Width	"D" Width	
CABINET ACCESSORIES					
Downflow Combustible Flooring Base - Downflow only		11M60	11M61	---	
Horizontal Suspension Kit - Horizontal only		51W10	51W10	51W10	
Return Air Base - Upflow only		50W98	50W99	51W00	
CONDENSATE DRAIN KITS					
Condensate Drain Heat Cable	6 ft.	26K68	26K68	26K68	
	24 ft.	26K69	26K69	26K69	
Crawl Space Vent Drain Kit	U.S.	51W18	51W18	51W18	
	Canada	15Z70	15Z70	15Z70	
CONTROLS					
iComfort® S30 Thermostat		12U67	12U67	12U67	
¹ Remote Outdoor Air Temperature Sensor (for dual fuel and Humiditrol®)		X2658	X2658	X2658	
² Discharge Air Temperature Sensor		88K38	88K38	88K38	
ComfortSense® 7500 Thermostat		13H14	13H14	13H14	
³ Remote Outdoor Air Temperature Sensor (for dual fuel and Humiditrol®)		X2658	X2658	X2658	
DOWNFLOW FILTER KITS					
Downflow Filter Cabinet		51W07	51W08	---	
⁴ No. and size of filter - in.		(2) 16 x 20 x 1	(2) 16 x 20 x 1	---	
UPFLOW/HORIZONTAL FILTER KITS					
⁴ Air Filter and Rack Kit	Horizontal (end)	Size of filter - in.	87L96	87L97	87L98
			18 x 25 x 1	20 x 25 x 1	25 x 25 x 1
	Side Return	Single	44J22	44J22	44J22
		Ten Pack	66K63	66K63	66K63
	Size of filter - in.	16 x 25 x 1	16 x 25 x 1	16 x 25 x 1	
SERVICE KIT					
Night Service Kit		10U37	10U37	10U37	
TERMINATION KITS - Direct Vent Applications Only. See Installation Instructions for specific venting information.					
Termination Kits	Concentric	U.S. - 2 in.	71M80	69M29	---
		3 in.	---	60L46	60L46
		Canada - 2 in.	44W92	44W92	---
		3 in.	---	44W93	44W93
	Flush-Mount	U.S. - 2, 2-1/2 or 3 in.	51W11	51W11	51W11
		Canada - 2, 2-1/2 or 3 in.	51W12	51W12	51W12
	Wall - Close Couple	U.S. - 2 in.	22G44	---	---
		3 in.	44J40	44J40	44J40
	Wall - Close Couple WTK	Canada - 2 in.	30G28	---	---
		3 in.	81J20	81J20	81J20
Termination Kits	Roof	2 in.	15F75	15F75	---
	Wall - Wall Ring Kit	2 in.	15F74	15F74	---
Roof Termination Flashing Kit (2 flashings)		3 in.	44J41	44J41	44J41
VENTING					
Flue Coupling		2 in.	17H92	17H92	17H92

¹ Remote Outdoor Temperature Sensor is used with conventional (non-iComfort® Communicating) outdoor units (sensor is furnished with iComfort® Communicating outdoor units). Allows the thermostat to display outdoor temperature. Required in dual-fuel and Humiditrol® applications.

² Optional for service diagnostics.

³ Remote Outdoor Temperature Sensor for ComfortSense® 7500 Thermostat must be connected directly to the thermostat, Do not connect it to the SureLight® control.

⁴ Cleanable frame type filter.

NOTE - Termination Kits (44W92, 44W93, 30G28, 51W12, 81J20) and Crawl Space Vent Drain Kit (15Z70) are certified to ULC S636 standard for use in Canada only.



SLP98UHV, SLP98DFV - OPTIONAL ACCESSORIES

PRODUCT CATALOG

Page 6
April 2019
Supersedes February 2019

GAS HEAT ACCESSORIES

Input	High Altitude Pressure Switch Kit	Natural Gas to LPG/Propane Kit	LPG/Propane to Natural Gas Kit	Muffler (US Only)
	7501 - 10,000 ft.	0 - 7500 ft.	0 - 7500 ft.	
070	14T65 (upflow), 14T67 (downflow)	65W77	70W87	15Y66 (2-inch)
090	14T65 (upflow), 14T67 (downflow)	65W77	70W87	15Y66 (2-inch)
110	14T65 (upflow), 14T67 (downflow)	65W77	70W87	¹ 15Y66 (2-inch) 16A56 (3-inch)
135	14T65 (upflow), 14T67 (downflow)	65W77	70W87	16A56 (3-inch)

¹ Two-inch diameter muffler (15Y66) is optional for 110 input model with a maximum vent pipe length of up to 29 ft.
Three-inch diameter muffler (16A56) is optional for 110 input model with a minimum vent pipe length of 30 ft.



PRODUCT CATALOG

**GAS FURNACES
SL297UHNV**

DAVE LENNOX SIGNATURE® COLLECTION

Upflow/Horizontal - Two-Stage Heat - Variable Speed Blower - Direct Vent
Ultra-Low NOx (14ng/J) - AFUE - 97.5% - Input - 40,000 to 80,000 Btuh

FEATURES

Heating System

Heavy-gauge Aluminized Steel Heat Exchanger Assembly

Secondary heat exchanger condenser coil constructed of aluminum fins fitted to stainless steel tubes

Modulating Gas Control Valve

SureLight® Hot Surface Ignitor

Combustion Air Inducer

Pressure Switch

Thermal Switch

Limit Control

Direct Vent Sealed Combustion

Direct Vent - combustion air supplied from outdoors

SureLight® Control (iComfort® compatible)

iComfort® Control communicates information about the unit to the iComfort® S30 thermostat.



24 Volt Transformer

Applicable to the iHarmony® Zoning System.

Variable-Speed Blower Motor

High efficiency, variable speed ECM (Electronically Commutated Motor) Maintains specified air volumes up to a maximum of 1.0 in. w.g. total external static.

Variable Speed Direct Drive Blower

Each blower assembly is statically and dynamically balanced.

Cabinet

Upflow, horizontal-left or horizontal-right applications.

Bottom/end or side return air

Pre-painted cabinet finish.

Sealed blower compartment

Inner blower compartment access panel.

Fully insulated cabinet with foil-faced insulation on sides and back of heating compartment and mat-faced insulation in blower compartment.



NOTE - Units are Natural Gas Only!

NOTE - Not available in all areas! Contact your nearest Lennox Sales Office for details.

Low Leakage Cabinet

Less than 2%.

Coil Match-up

All furnaces match Lennox cased upflow indoor coils and horizontal indoor coils with same letter designation (A, B, C, D) as in the furnace model number.

LIMITED WARRANTY

Heat Exchanger - Lifetime (twenty-year transferable). All other covered components - five years.

Refer to Lennox Equipment Limited Warranty certificate included with equipment for details.

NOTE - Not For Twinning!

Furnace Width	"B"	"C"	"D"
A Dimension	17-1/2 (446)	21 (533)	24-1/2 (622)
B Dimension	16-3/8 (416)	19-7/8 (454)	23-3/8 (546)
Bottom return	Width	16 (406)	19-1/2 (584)
	Depth	23-1/2 (597)	23-1/2 (597)

NOTE - Due to Lennox' ongoing commitment to quality, Specifications, Ratings and Dimensions subject to change without notice and without incurring liability. Improper installation, adjustment, alteration, service or maintenance can cause property damage or personal injury. Installation and service must be performed by a qualified installer and servicing agency.

Page 7

April 2019

Supersedes February 2019

ACCESSORIES

See page 5

Cabinet

- Condensate Kits
- Condensate Drain Heat Cable
- Crawl Space Vent Drain Kit
- Horizontal Suspension Kit
- Return Air Base - Upflow Only

Controls

- iComfort® S30 Thermostat
- ComfortSense® 7500 Thermostat
- Thermostat
- iHarmony® Zoning System
- Twinning Kit

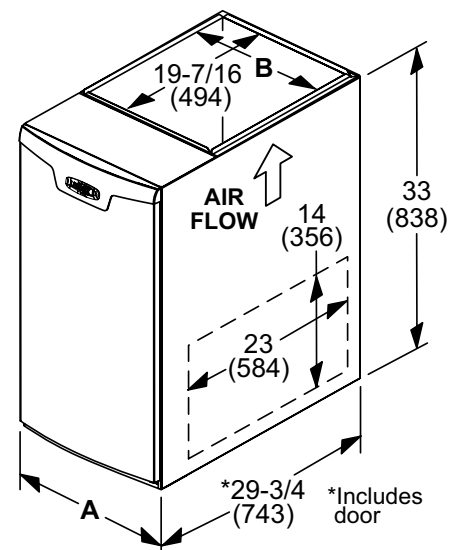
Filter Kits

- Air Filter and Rack Kits

Gas Heating

- Termination Kits

DIMENSIONS



SPECIFICATIONS				
Gas	Model No.	SL297UH040NV36B	SL297UH060NV36B	
Heating	¹ AFUE	97.5%	97.5%	
Performance	High Fire	Input - Btuh	40,000	60,000
		Output - Btuh	39,000	58,000
	Temperature rise range - °F	30-60	50-80/25-55	
Gas Manifold Pressure (in. w.g.) Nat. Gas / LPG/Propane		3.5	3.5	
	Low Fire	Input - Btuh	26,000	39,000
		Output - Btuh	25,000	38,000
	Temperature rise range - °F	20 - 50	25 - 55	
Gas Manifold Pressure (in. w.g.) Nat. Gas / LPG/Propane		1.5	1.5	
High static - in. w.g.	Heating	0.8	0.8	
	Cooling	1.0	1.0	
Connections in.	Intake / Exhaust Pipe (PVC)	2 / 2	2 / 2	
	Gas pipe size IPS	1/2	1/2	
	Condensate Drain Trap (PVC pipe) - i.d.	3/4	3/4	
	with furnished 90° street elbow with field supplied (PVC coupling) - o.d.	3/4 slip x 3/4 Mipt	3/4 slip x 3/4 Mipt	
Indoor Blower	Wheel nominal diameter x width - in.	10 x 9	10 x 9	
	Motor output - hp	1/2	1/2	
	Tons of add-on cooling	2 - 3	2 - 3	
	Air Volume Range - cfm	440-1370	475-1380	
Electrical Data	Voltage	120 volts - 60 hertz - 1 phase		
	Blower motor full load amps	7.7	7.7	
	Maximum overcurrent protection	15	15	
Shipping Data	lbs. - 1 package	125	130	

SPECIFICATIONS				
Gas	Model No.	SL297UH080NV48C	SL297UH080NV60C	
Heating	¹ AFUE	97.5%	97.5%	
Performance	High Fire	Input - Btuh	80,000	80,000
		Output - Btuh	78,000	78,000
	Temperature rise range - °F	45-75	40-70	
Gas Manifold Pressure (in. w.g.) Nat. Gas / LPG/Propane		3.5	3.5	
	Low Fire	Input - Btuh	52,000	52,000
		Output - Btuh	51,000	51,000
	Temperature rise range - °F	30 - 60	25 - 55	
Gas Manifold Pressure (in. w.g.) Nat. Gas / LPG/Propane		1.5	1.5	
High static - in. w.g.	Heating	0.8	0.8	
	Cooling	1.0	1.0	
Connections in.	Intake / Exhaust Pipe (PVC)	2 / 2	2 / 2	
	Gas pipe size IPS	1/2	1/2	
	Condensate Drain Trap (PVC pipe) - i.d.	3/4	3/4	
	with furnished 90° street elbow with field supplied (PVC coupling) - o.d.	3/4 slip x 3/4 Mipt	3/4 slip x 3/4 Mipt	
Indoor Blower	Wheel nominal diameter x width - in.	11 x 11	11 x 11	
	Motor output - hp	3/4	1	
	Tons of add-on cooling	2.5 - 4	3 - 5	
	Air Volume Range - cfm	620-1730	870-2285	
Electrical Data	Voltage	120 volts - 60 hertz - 1 phase		
	Blower motor full load amps	10.1	12.8	
	Maximum overcurrent protection	15	15	
Shipping Data	lbs. - 1 package	154	156	

NOTE - Filters and provisions for mounting are not furnished and must be field provided.

¹ Annual Fuel Utilization Efficiency based on DOE test procedures and according to FTC labeling regulations. Isolated combustion system rating for non-weatherized furnaces.



NOTE - Due to Lennox' ongoing commitment to quality, Specifications, Ratings and Dimensions subject to change without notice and without incurring liability. Improper installation, adjustment, alteration, service or maintenance can cause property damage or personal injury. Installation and service must be performed by a qualified installer and servicing agency.



OPTIONAL ACCESSORIES - ORDER SEPARATELY

NOTE - FURNACES CANNOT BE TWINNED!

			"B" Width Models	"C" Width Models
CABINET ACCESSORIES				
Horizontal Suspension Kit - Horizontal only			51W10	51W10
Return Air Base - Upflow only			50W98	50W99
High Performance Economizer (Commercial Only)			10U53	10U53
CONDENSATE DRAIN KITS				
Condensate Drain Heat Cable	6 ft.		26K68	26K68
	24 ft.		26K69	26K69
Crawl Space Vent Drain Kit	US		51W18	51W18
	Canada		15Z70	15Z70
CONTROLS				
iComfort® S30 Ultra-Smart Communicating Thermostat			12U67	12U67
¹ Remote Outdoor Air Temperature Sensor (for dual fuel and Humiditrol®)			X2658	X2658
² Discharge Air Temperature Sensor			88K38	88K38
UPFLOW/HORIZONTAL FILTER KITS				
³ Air Filter and Rack Kit	Horizontal (end)	Size of filter - in.	87L96 - 18 x 25 x 1	87L97 - 20 x 25 x 1
		Single	44J22	44J22
	Side Return	Ten Pack	66K63	66K63
		Size of filter - in.	16 x 25 x 1	16 x 25 x 1
TERMINATION KITS				
See Installation Instructions for specific venting information.				
Termination Kits	Concentric	US - 2 in.	71M80	69M29
		3 in.	---	60L46
		Canada - 2 in.	44W92	44W92
		3 in.	---	44W93
	Flush-Mount	US - 2, 2-1/2 or 3 in.	51W11	51W11
		Canada - 2, 2-1/2 or 3 in.	51W12	51W12
	Wall - Close Couple	US - 2 in.	22G44	---
		3 in.	44J40	44J40
	Wall - Close Couple WTK	Canada - 2 in.	30G28	---
		3 in.	81J20	81J20
	Roof	2 in.	15F75	15F75
	Wall Ring Kit	2 in.	15F74	15F74
Roof Termination Flashing Kit (2 flashings)		3 in.	44J41	44J41
VENTING				
Flue Coupling		2 in.	17H92	17H92

¹ Remote Outdoor Temperature Sensor is used with conventional (non-iComfort® Communicating) outdoor units (sensor is furnished with iComfort® Communicating outdoor units). Allows the thermostat to display outdoor temperature. Required in dual-fuel and Humiditrol® applications.

² Optional for service diagnostics.

³ Cleanable polyurethane, frame-type filter.

NOTE - Termination Kits (44W92, 44W93, 30G28, 51W12, 81J20) and Crawl Space Vent Drain Kit (15Z70) are certified to ULC S636 standard for use in Canada only.



PRODUCT CATALOG

**GAS FURNACES
SL280UHV**

DAVE LENNOX SIGNATURE® COLLECTION

Upflow/Horizontal - Two-Stage Heat - Variable Speed Blower
SilentComfort™ Technology
AFUE - 80% - Input - 66,000 to 132,000 Btuh

Page 11

April 2019

Supersedes February 2019

NOTE - Not Available In Canada!

FEATURES

Heating System

- Lennox Duralok™ Aluminized Steel Heat Exchanger Assembly
- Aluminized Steel Inshot Burners
- Two-Stage Gas Control Valve with 100% Safety Shutoff
- Flame Rollout Switches
- Limit Controls
- SureLight® Hot Surface Ignitor
- Two-Speed Combustion Air Inducer

SureLight® Control (iComfort® Communicating)

iComfort® Control communicates information about the unit to the iComfort® S30 thermostat.



24 Volt Transformer

Field Wiring Make-up Box

Applicable to the iHarmony® Zoning System.

Variable-Speed Blower Motor

High efficiency, variable speed ECM (Electronically Commutated Motor) Maintains specified air volumes up to a maximum of 1.0 in. w.g. (cooling) total external static.

Variable Speed Direct Drive Blower

Each blower assembly is statically and dynamically balanced.

Cabinet

Upflow, horizontal-left or horizontal-right applications.

Bottom/end or side return air

Pre-painted cabinet finish.

Sealed blower compartment

Inner blower compartment access panel.

Fully insulated cabinet with foil-faced insulation on sides and back of heating compartment and mat-faced insulation in blower compartment.



Low Leakage Cabinet

Less than 2%.

Coil Match-up

All furnaces match Lennox cased upflow indoor coils and horizontal indoor coils with same letter designation (A, B, C, D) as in the furnace model number.

LIMITED WARRANTY

Heat Exchanger - Twenty-years.

All other covered components - ten years.

Refer to Lennox Equipment Limited Warranty certificate included with equipment for details.

NOTE - Not For Twinning!

Furnace	"A"	"B"	"C"	"D"
Width				
A Dimension	14-1/2 (368)	17-1/2 (446)	21 (533)	24-1/2 (622)
B Dimension	13-3/8 (340)	16-3/8 (416)	19-7/8 (504)	23-3/8 (594)
Bottom Width return	13 (330)	16 (406)	19-1/2 (495)	23 (584)
Depth	23-1/2 (597)	23-1/2 (597)	23-1/2 (597)	23-1/2 (597)

ACCESSORIES

See page 15

Cabinet

- Horizontal Suspension Kit
- Return Air Base

Controls

- iComfort® S30 Thermostat
- ComfortSense® 7500 Thermostat
- Thermostat
- iHarmony® Zoning System

Filter Kits

- Air Filter and Rack Kits

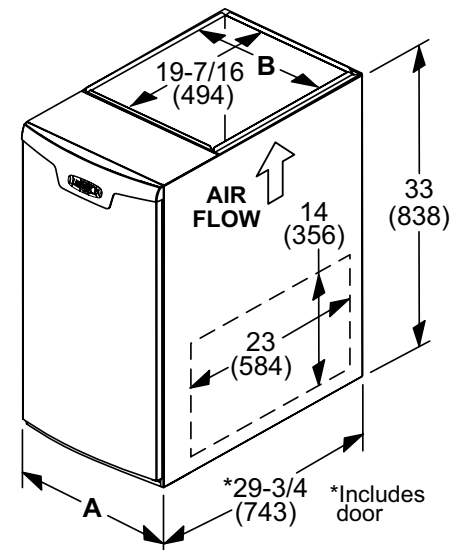
Gas Heating

- Gas Conversion Kits
- High Altitude Pressure Switch Kits

Service Kits

- Night Service Kit

DIMENSIONS



NOTE - Due to Lennox' ongoing commitment to quality, Specifications, Ratings and Dimensions subject to change without notice and without incurring liability. Improper installation, adjustment, alteration, service or maintenance can cause property damage or personal injury. Installation and service must be performed by a qualified installer and servicing agency.

SPECIFICATIONS				
Gas Heating Performance	Model No.	SL280UH070V36A	SL280UH090V36B	SL280UH090V48B
	Model No. - Low Nox	SL280UH070XV36A	- - -	SL280UH090XV48B
	¹ AFUE	80%	80%	80%
High Fire	Input - Btuh	66,000	88,000	88,000
	Output - Btuh	52,000	70,000	70,000
	Temperature rise range - °F	40 - 70	40 - 70	40 - 70
	Gas Manifold Pressure (in. w.g.)	3.5 / 10	3.5 / 10	3.5 / 10
	Nat. Gas / LPG/Propane			
Low Fire	Input - Btuh	43,000	57,000	57,000
	Output - Btuh	35,000	47,000	47,000
	Temperature rise range - °F	25 - 55	25 - 55	25 - 55
	Gas Manifold Pressure (in. w.g.)	1.7 / 4.9	1.7 / 4.9	1.7 / 4.9
	Nat. Gas / LPG/Propane			
High static - in. w.g.	Heating	0.8	0.8	0.8
	Cooling	1.0	1.0	1.0
Connections in.	Flue connection - in. round	4	4	4
	Gas pipe size IPS	1/2	1/2	1/2
Indoor Blower	Wheel nominal diameter x width - in.	10 X 8	10 X 9	11-1/2 X 9
	Motor output - hp	1/2	1/2	1.0
	Tons of add-on cooling	2 - 3	2 - 3.5	2.5 - 4
	Air Volume Range - cfm	606 - 1345	498 - 1393	679 - 2002
Electrical Data	Voltage	120 volts - 60 hertz - 1 phase		
	Blower motor full load amps	7.7	7.7	12.8
	Maximum overcurrent protection	15	15	20
Shipping Data	lbs. - 1 package	128	143	154

NOTE - Filters and provisions for mounting are not furnished and must be field provided.

¹ Annual Fuel Utilization Efficiency based on DOE test procedures and according to FTC labeling regulations. Isolated combustion system rating for non-weatherized furnaces.

SPECIFICATIONS				
Gas Heating Performance	Model No.	SL280UH090V60C	SL280UH110V60C	SL280UH135V60D
	Model No. - Low Nox	- - -	SL280UH110XV60C	- - -
	¹ AFUE	80%	80%	80%
High Fire	Input - Btuh	88,000	110,000	132,000
	Output - Btuh	70,000	87,000	105,000
	Temperature rise range - °F	35 - 65	35 - 65	40 - 70
	Gas Manifold Pressure (in. w.g.)	3.5 / 10.0	3.5 / 10.0	3.5 / 10.0
	Nat. Gas / LPG/Propane			
Low Fire	Input - Btuh	57,000	72,000	86,000
	Output - Btuh	47,000	58,000	64,000
	Temperature rise range - °F	25 - 55	25 - 55	25 - 55
	Gas Manifold Pressure (in. w.g.)	1.7 / 4.9	1.7 / 4.9	1.7 / 4.9
	Nat. Gas / LPG/Propane			
High static - in. w.g.	Heating	0.8	0.8	0.8
	Cooling	1.0	1.0	1.0
Connections in.	Flue connection - in. round	4	4	² 4
	Gas pipe size IPS	1/2	1/2	1/2
Indoor Blower	Wheel nominal diameter x width - in.	11-1/2 X 10	11-1/2 X 10	11-1/2 X 11
	Motor output - hp	1.0	1.0	1.0
	Tons of add-on cooling	3 - 5	3 - 5	3.5 - 5
	Air Volume Range - cfm	826 - 2305	812 - 2125	828 - 2257
Electrical Data	Voltage	120 volts - 60 hertz - 1 phase		
	Blower motor full load amps	12.8	12.8	12.8
	Maximum overcurrent protection	20	20	20
Shipping Data	lbs. - 1 package	173	181	199

NOTE - Filters and provisions for mounting are not furnished and must be field provided.

¹ Annual Fuel Utilization Efficiency based on DOE test procedures and according to FTC labeling regulations. Isolated combustion system rating for non-weatherized furnaces.

² Flue connection on the unit is 4 in. diameter. Most applications will require 5 in. venting and field supplied 4 x 5 in. adaptor. See Venting Tables in the Installation Instructions for detailed information.



NOTE - Due to Lennox' ongoing commitment to quality, Specifications, Ratings and Dimensions subject to change without notice and without incurring liability. Improper installation, adjustment, alteration, service or maintenance can cause property damage or personal injury. Installation and service must be performed by a qualified installer and servicing agency.



PRODUCT CATALOG

NOTE - Not Available In Canada!

FEATURES

Heating System

- Lennox Duralok™ Aluminized Steel Heat Exchanger Assembly
- Aluminized Steel Inshot Burners
- Two-Stage Gas Control Valve with 100% Safety Shutoff
- Flame Rollout Switches
- Limit Controls
- SureLight® Hot Surface Ignitor
- Two-Speed Combustion Air Inducer

SureLight® Control (iComfort® Communicating)

iComfort® Control communicates information about the unit to the  *iComfort® S30* thermostat. 24 Volt Transformer
Field Wiring Make-up Box
Applicable to the *iHarmony® Zoning System*.

Variable-Speed Blower Motor

High efficiency, variable speed ECM (Electronically Commutated Motor) Maintains specified air volumes up to a maximum of 1.0 in. w.g. (cooling) total external static.

Variable Speed Direct Drive Blower

Each blower assembly is statically and dynamically balanced.

Cabinet

Downflow applications.
Pre-painted cabinet finish.
Sealed blower compartment
Inner blower compartment access panel.
Fully insulated cabinet with foil-faced insulation on sides and back of heating compartment and mat-faced insulation in blower compartment.

Low Leakage Cabinet

Less than 2%.



Coil Match-up

All Lennox downflow indoor coils will physically match the furnace **supply air opening** with the same letter designation (A, B, C, D) as in the furnace model number.

LIMITED WARRANTY

Heat Exchanger - Twenty-years.
All other covered components - ten years.

Refer to Lennox Equipment Limited Warranty certificate included with equipment for details.

NOTE - Not For Twinning!

Furnace Width	"A"	"B"	"C"
A Dimension	14-1/2 (368)	17-1/2 (446)	21 (533)
B Dimension	13-3/8 (340)	16-3/8 (416)	19-7/8 (454)
Bottom Width	13 (330)	16 (406)	19-1/2 (495)
Depth	19-1/4 (489)	19-1/4 (489)	19-1/4 (489)

GAS FURNACES SL280DFV

DAVE LENNOX SIGNATURE® COLLECTION

Downflow - Two-Stage Heat - Variable Speed Blower
SilentComfort™ Technology

AFUE - 80% - Input - 66,000 to 110,000 Btuh

Page 13

April 2019

Supersedes February 2019

ACCESSORIES

See page 15

Cabinet

- Downflow Combustible Flooring Base

Controls

- iComfort® S30 Thermostat
- ComfortSense® 7500 Thermostat
- Thermostat
- iHarmony® Zoning System

Filters

- Downflow Filter Kits

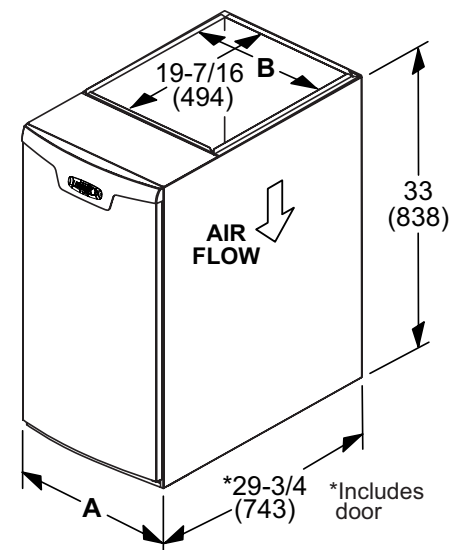
Gas Heating

- Gas Conversion Kits
- High Altitude Pressure Switch Kits

Service Kits

- Night Service Kit

DIMENSIONS



NOTE - Due to Lennox' ongoing commitment to quality, Specifications, Ratings and Dimensions subject to change without notice and without incurring liability. Improper installation, adjustment, alteration, service or maintenance can cause property damage or personal injury. Installation and service must be performed by a qualified installer and servicing agency.

SPECIFICATIONS

Gas Heating Performance		Model No.	SL280DF070V36A	SL280DF090V48B	SL280DF090V60C	SL280DF110V60C
		¹ AFUE	80%	80%	80%	80%
High Fire	Input - Btuh		66,000	88,000	88,000	110,000
	Output - Btuh		52,000	69,000	70,000	87,000
		Temperature rise range - °F	35 - 65	35 - 65	35 - 65	35 - 65
		Gas Manifold Pressure (in. w.g.) Nat. Gas / LPG/Propane	3.5 / 10.0	3.5 / 10.0	3.5 / 10.0	3.5 / 10.0
Low Fire	Input - Btuh		43,000	57,000	57,000	72,000
	Output - Btuh		35,000	46,000	46,000	59,000
		Temperature rise range - °F	25-55	25-55	25-55	25-55
		Gas Manifold Pressure (in. w.g.) Nat. Gas / LPG/Propane	1.7 / 4.9	1.7 / 4.9	1.7 / 4.9	1.7 / 4.9
High static - in. w.g.	Heating		0.8	0.8	0.8	0.8
	Cooling		1.0	1.0	1.0	1.0
Connections in.	Flue connection - in. round		4	4	4	4
	Gas pipe size IPS		1/2	1/2	1/2	1/2
Indoor Blower	Wheel nominal diameter x width - in.		10 x 8	11 x 9	11 x 10	11 x 10
	Motor output - hp		1/2	1	1	1
	Tons of add-on cooling		2 - 3	3 - 4	3.5 - 5	3.5 - 5
	Air Volume Range - cfm		589 - 1514	830 - 1996	899 - 2273	882 - 2120
Electrical Data	Voltage		120 volts - 60 hertz - 1 phase			
	Blower motor full load amps		7.7	12.8	12.8	12.8
	Maximum overcurrent protection		15	20	20	20
Shipping Data	lbs. - 1 package		130	153	164	173

NOTE - Filters and provisions for mounting are not furnished and must be field provided.

¹ Annual Fuel Utilization Efficiency based on DOE test procedures and according to FTC labeling regulations. Isolated combustion system rating for non-weatherized furnaces.



NOTE - Due to Lennox' ongoing commitment to quality, Specifications, Ratings and Dimensions subject to change without notice and without incurring liability. Improper installation, adjustment, alteration, service or maintenance can cause property damage or personal injury. Installation and service must be performed by a qualified installer and servicing agency.



OPTIONAL ACCESSORIES - ORDER SEPARATELY

NOTE - FURNACE CANNOT BE TWINNED!

	"A" Width	"B" Width	"C" Width	"D" Width			
CABINET ACCESSORIES							
Downflow Combustible Flooring Base - Downflow only	11M59	11M60	11M61	---			
Horizontal Suspension Kit - Horizontal only	51W10	51W10	51W10	51W10			
Return Air Base - Upflow only	65W75	50W98	50W99	51W00			
CONTROLS							
iComfort® S30 Thermostat	12U67	12U67	12U67	12U67			
¹ Remote Outdoor Air Temperature Sensor (for dual fuel and Humiditrol®)	X2658	X2658	X2658	X2658			
² Discharge Air Temperature Sensor	88K38	88K38	88K38	88K38			
ComfortSense® 7500 Thermostat	13H14	13H14	13H14	13H14			
³ Remote Outdoor Air Temperature Sensor (for dual fuel and Humiditrol®)	X2658	X2658	X2658	X2658			
DOWNFLOW FILTER KITS							
Downflow Filter Cabinet	51W06	51W07	51W08	---			
	⁴ No. and size of filter - in. (1) 20 x 20 x 1	(2) 16 x 20 x 1	(2) 16 x 20 x 1	---			
UPFLOW/HORIZONTAL FILTER KITS							
⁴ Air Filter and Rack Kit	Horizontal (end)	Size of filter - in.		87L95	87L96	87L97	87L98
		14 x 25 x 1	18 x 25 x 1	20 x 25 x 1	25 x 25 x 1		
	Side Return	Single	44J22	44J22	44J22	44J22	
		Ten Pack	66K63	66K63	66K63	66K63	
		Size of filter - in.		16 x 25 x 1	16 x 25 x 1	16 x 25 x 1	16 x 25 x 1
SERVICE KIT							
Night Service Kit	14C98	14C98	14C98	14C98			

VENTING

Vent Adaptor - 6 in. connection size upflow applications only	18M79	18M79	18M79	18M79
---	-------	-------	-------	-------

¹ Remote Outdoor Temperature Sensor is used with conventional (non-iComfort® Communicating) outdoor units (sensor is furnished with iComfort® Communicating outdoor units). Allows the thermostat to display outdoor temperature. Required in dual-fuel and Humiditrol® applications.

² Optional for service diagnostics.

³ Remote Outdoor Temperature Sensor for ComfortSense® 7500 Thermostat must be connected directly to the thermostat, Do not connect it to the SureLight® control.

⁴ Cleanable frame type filter.

GAS HEAT ACCESSORIES

Input	High Altitude Pressure Switch Kit				Natural Gas to LPG/Propane Kit	LPG/Propane to Natural Gas Kit	Natural Gas High Altitude Orifice Kit	LPG/Propane High Altitude Orifice Kit
	0 - 4500 ft.	4501 - 7500 ft.	7501 - 10,000 ft.		0 - 7500 ft.	0 - 7500 ft.	7501 - 10,000 ft.	7501 - 10,000 ft.
		UH	DF					
070	No Change	No Change	73W35	73W36	11K51	77W09	73W37	77W11
090	No Change	69W56	73W35	73W36	11K51	77W09	73W37	77W11
110	No Change	69W56	73W35	73W35	11K51	77W09	73W37	77W11
135	No Change	73W33	73W34	---	11K51	77W09	73W37	77W11

NOTE - Due to Lennox' ongoing commitment to quality, Specifications, Ratings and Dimensions subject to change without notice and without incurring liability. Improper installation, adjustment, alteration, service or maintenance can cause property damage or personal injury. Installation and service must be performed by a qualified installer and servicing agency.



GAS FURNACES EL296UHV ELITE® SERIES

PRODUCT CATALOG

Upflow/Horizontal - Two-Stage Heat - Variable Speed Blower
Direct/Non-Direct Vent
AFUE - 96% - Input - 44,000 to 132,000 Btuh

Page 17

April 2019

Supersedes February 2019

FEATURES

Heating System

- Lennox Duralok Plus™ Aluminized Steel Heat Exchanger Assembly
- Aluminized Steel Inshot Burners
- Two-Stage Gas Control Valve with 100% Safety Shutoff
- Flame Rollout Switches
- Limit Controls
- SureLight® Hot Surface Ignitor
- Two-Speed Combustion Air Inducer

Direct Vent/Non-Direct Vent Sealed Combustion

- Direct Vent - combustion air supplied from outdoors
- Non-Direct Vent - combustion air supplied from indoors

SureLight® Control (iComfort® Communicating)

iComfort® Control communicates information about the unit to the iComfort® S30 thermostat.



24 Volt Transformer

Field Wiring Make-up Box

Applicable to the iHarmony® Zoning System.

Variable-Speed Blower Motor

High efficiency, variable speed ECM (Electronically Commutated Motor) Maintains specified air volumes up to a maximum of 1.0 in. w.g. (cooling) total external static.

Variable Speed Direct Drive Blower

Each blower assembly is statically and dynamically balanced.

Cabinet

Upflow, downflow, horizontal-left or horizontal-right applications without any internal modifications to the unit. Pre-painted cabinet finish.

Fully insulated cabinet with foil-faced insulation on sides and back of heating compartment and mat-faced insulation in blower compartment.



Low Leakage Cabinet

Less than 2%.

Coil Match-up

All furnaces match Lennox cased upflow indoor coils and horizontal indoor coils with same letter designation (A, B, C, D) as in the furnace model number.

ACCESSORIES

See page 33

Cabinet

- Condensate Kits
- Condensate Drain Heat Cable
- Crawl Space Vent Drain Kit
- Horizontal Suspension Kit
- Return Air Base

Controls

- iComfort® S30 Thermostat
- ComfortSense® 7500 Thermostat
- Thermostat
- iHarmony® Zoning System

Filter Kits

- Air Filter and Rack Kits

Gas Heating

- Gas Conversion Kits
- High Altitude Orifice Kits
- High Altitude Pressure Switch Kits
- Termination Kits

Service Kits

- Night Service Kit

LIMITED WARRANTY

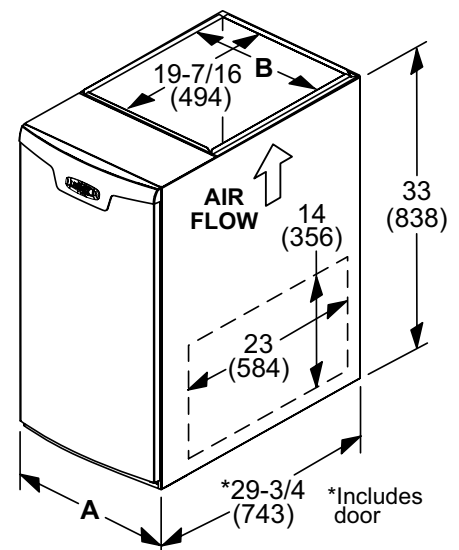
Heat Exchanger - Lifetime (twenty-year transferable). All other covered components - five years.

Refer to Lennox Equipment Limited Warranty certificate included with equipment for details.

NOTE - Not For Twinning!

Furnace Width	"B"	"C"	"D"
A Dimension	17-1/2 (446)	21 (533)	24-1/2 (622)
B Dimension	16-3/8 (416)	19-7/8 (454)	23-3/8 (546)
Bottom return	Width	16 (406)	23 (584)
	Depth	23-1/2 (597)	23-1/2 (597)

DIMENSIONS



NOTE - Due to Lennox' ongoing commitment to quality, Specifications, Ratings and Dimensions subject to change without notice and without incurring liability. Improper installation, adjustment, alteration, service or maintenance can cause property damage or personal injury. Installation and service must be performed by a qualified installer and servicing agency.

SPECIFICATIONS					
Gas Heating Performance	Model No.	EL296UH 045XV36B	EL296UH 070XV36B	EL296UH 090XV36C	EL296UH 090XV48C
	¹ AFUE	96%	96%	96%	96%
High Fire	Input - Btuh	44,000	66,000	88,000	88,000
	Output - Btuh	42,000	62,000	84,000	85,000
	Temperature rise range - °F	35 - 65	50 - 80	60 - 90	45 - 75
Gas Manifold Pressure (in. w.g.) Nat. Gas / LPG/Propane		3.5 / 10.0	3.5 / 10.0	3.5 / 10.0	3.5 / 10.0
	Low Fire				
	Input - Btuh	29,000	43,000	57,000	57,000
	Output - Btuh	28,000	41,000	55,000	55,000
	Temperature rise range - °F	20 - 50	25 - 55	30 - 60	30 - 60
Gas Manifold Pressure (in. w.g.) Nat. Gas / LPG/Propane		1.7 / 4.9	1.7 / 4.9	1.7 / 4.9	1.7 / 4.9
High static - in. w.g.	Heating	0.8	0.8	0.8	0.8
	Cooling	1.0	1.0	1.0	1.0
Connections in.	Intake / Exhaust Pipe (PVC)	2 / 2	2 / 2	2 / 2	2 / 2
	Gas pipe size IPS	1/2	1/2	1/2	1/2
	Condensate Drain Trap (PVC pipe) - i.d.	3/4	3/4	3/4	3/4
	with furnished 90° street elbow with field supplied (PVC coupling) - o.d.	3/4 slip x 3/4 Mipt 3/4 slip x 3/4 MPT			
Indoor Blower	Wheel nominal diameter x width - in.	10 x 9	10 x 9	10 x 9	11 x 11
	Motor output - hp	1/2	1/2	1/2	3/4
	Tons of add-on cooling	2 - 3	2 - 3	2 - 3	2.5 - 4
	Air Volume Range - cfm	465 - 1370	490 - 1365	520 - 1360	680 - 1770
Electrical Data	Voltage	120 volts - 60 hertz - 1 phase			
	Blower motor full load amps	7.7	7.7	7.7	10.1
	Maximum overcurrent protection	15	15	15	15
Shipping Data	lbs. - 1 package	130	136	152	163

SPECIFICATIONS					
Gas Heating Performance	Model No.	EL296UH0 90XV60C	EL296UH 110XV48C	EL296UH 110XV60C	EL296UH 135XV60D
	¹ AFUE	96%	96%	96%	96%
High Fire	Input - Btuh	88,000	110,000	110,000	132,000
	Output - Btuh	85,000	105,000	106,000	126,000
	Temperature rise range - °F	40-70	60-90	45-75	55-85
Gas Manifold Pressure (in. w.g.) Nat. Gas / LPG/Propane		3.5 / 10.0	3.5 / 10.0	3.5 / 10.0	3.5 / 10.0
	Low Fire				
	Input - Btuh	57,000	72,000	72,000	86,000
	Output - Btuh	55,000	70,000	70,000	84,000
	Temperature rise range - °F	25 - 55	36 - 65	35 - 65	40 - 70
Gas Manifold Pressure (in. w.g.) Nat. Gas / LPG/Propane		1.7 / 4.9	1.7 / 4.9	1.7 / 4.9	1.7 / 4.9
High static - in. w.g.	Heating	0.8	0.8	0.8	0.8
	Cooling	1.0	1.0	1.0	1.0
Connections in.	Intake / Exhaust Pipe (PVC)	2 / 2	2 / 2	2 / 2	2 / 2
	Gas pipe size IPS	1/2	1/2	1/2	1/2
	Condensate Drain Trap (PVC pipe) - i.d.	3/4	3/4	3/4	3/4
	with furnished 90° street elbow with field supplied (PVC coupling) - o.d.	3/4 slip x 3/4 Mipt 3/4 slip x 3/4 MPT			
Indoor Blower	Wheel nominal diameter x width - in.	11 x 11	11 x 11	11 x 11	11 x 11
	Motor output - hp	1	3/4	1	1
	Tons of add-on cooling	3 - 5	2.5 - 4	3-5	3-5
	Air Volume Range - cfm	840 - 2195	670 - 1760	850 - 2125	950 - 2250
Electrical Data	Voltage	120 volts - 60 hertz - 1 phase			
	Blower motor full load amps	12.8	10.1	12.8	12.8
	Maximum overcurrent protection	20	15	20	20
Shipping Data	lbs. - 1 package	164	173	174	188

NOTE - Filters and provisions for mounting are not furnished and must be field provided.

¹ Annual Fuel Utilization Efficiency based on DOE test procedures and according to FTC labeling regulations. Isolated combustion system rating for non-weatherized furnaces.



NOTE - Due to Lennox' ongoing commitment to quality, Specifications, Ratings and Dimensions subject to change without notice and without incurring liability.

Improper installation, adjustment, alteration, service or maintenance can cause property damage or personal injury.

Installation and service must be performed by a qualified installer and servicing agency.



PRODUCT CATALOG

**GAS FURNACES
EL296DFV
ELITE® SERIES**

**Downflow - Two-Stage Heat - Variable Speed Blower
Direct/Non-Direct Vent
AFUE - 96% - Input - 44,000 to 110,000 Btuh**

Page 19

April 2019

Supersedes February 2019

FEATURES

Heating System

- Lennox Duralok Plus™ Aluminized Steel Heat Exchanger Assembly
- Aluminized Steel Inshot Burners
- Two-Stage Gas Control Valve with 100% Safety Shutoff
- Flame Rollout Switches
- Limit Controls
- SureLight® Hot Surface Ignitor
- Two-Speed Combustion Air Inducer

Direct Vent/Non-Direct Vent Sealed Combustion

- Direct Vent - combustion air supplied from outdoors
- Non-Direct Vent - combustion air supplied from indoors

SureLight® Control (iComfort® compatible)

iComfort® Control communicates information about the unit to the iComfort® S30 thermostat.



- 24 Volt Transformer
- Field Wiring Make-up Box
- Applicable to the iHarmony® Zoning System.

Variable-Speed Blower Motor

High efficiency, variable speed ECM (Electronically Commutated Motor) Maintains specified air volumes up to a maximum of 1.0 in. w.g. (cooling) total external static.

Variable Speed Direct Drive Blower

Each blower assembly is statically and dynamically balanced.

Cabinet

- Downflow applications.
- Pre-painted cabinet finish.
- Fully insulated cabinet with foil-faced insulation on sides and back of heating compartment and mat-faced insulation in blower compartment.



Low Leakage Cabinet

Less than 2%.

Coil Match-up

All Lennox downflow indoor coils will physically match the furnace **supply air opening** with the same letter designation (A, B, C, D) as in the furnace model number.

LIMITED WARRANTY

Heat Exchanger - Lifetime (twenty-year transferable). All other covered components - five years.

Refer to Lennox Equipment Limited Warranty certificate included with equipment for details.

NOTE - Not For Twinning!

Furnace Width		"B"	"C"
A Dimension	Width	17-1/2 (446)	21 (533)
	Depth	16-3/8 (416)	19-7/8 (454)
Bottom supply	Width	16 (406)	19-1/2 (495)
	Depth	19-1/4 (489)	19-1/4 (489)

ACCESSORIES

See page 33

Cabinet

- Downflow Combustible Flooring Base
- Condensate Kits
- Condensate Drain Heat Cable
- Crawl Space Vent Drain Kit

Controls

- iComfort® S30 Thermostat
- ComfortSense® 7500 Thermostat
- Thermostat
- iHarmony® Zoning System

Filter Kits

- Downflow Filter Kits

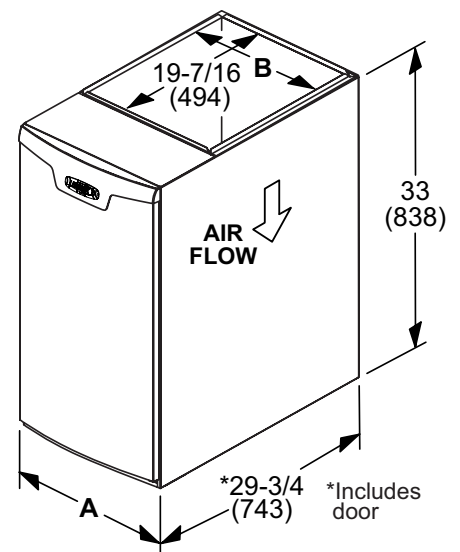
Gas Heating

- Gas Conversion Kits
- High Altitude Orifice Kits
- High Altitude Pressure Switch Kits
- Termination Kits

Service Kits

- Night Service Kit

DIMENSIONS



NOTE - Due to Lennox' ongoing commitment to quality, Specifications, Ratings and Dimensions subject to change without notice and without incurring liability. Improper installation, adjustment, alteration, service or maintenance can cause property damage or personal injury. Installation and service must be performed by a qualified installer and servicing agency.

SPECIFICATIONS

Gas		Model No.	EL296DF045XV36B	EL296DF070XV48B	EL296DF090XV60C	EL296DF110XV60C	
Heating Performance	¹ AFUE		96%	96%	96%	96%	
	High Fire	Input - Btuh	44,000	66,000	88,000	110,000	
		Output - Btuh	43,000	64,000	85,000	106,000	
		Temperature rise range - °F	35-65	35-65	40-70	45-75	
		Gas Manifold Pressure (in. w.g.) Nat. Gas / LPG/Propane	3.5 / 10.0	3.5 / 10.0	3.5 / 10.0	3.5 / 10.0	
	Low Fire	Input - Btuh	29,000	43,000	57,000	72,000	
		Output - Btuh	28,000	42,000	56,000	70,000	
			Temperature rise range - °F	20 - 50	25 - 55	30 - 60	35 - 65
			Gas Manifold Pressure (in. w.g.) Nat. Gas / LPG/Propane	1.7 / 4.9	1.7 / 4.9	1.7 / 4.9	1.7 / 4.9
	High static - in. w.g.	Heating	0.8	0.8	0.8	0.8	
Cooling		1.0	1.0	1.0	1.0		
Connections in.	Intake / Exhaust Pipe (PVC)	2 / 2	2 / 2	2 / 2	2 / 2		
	Gas pipe size IPS	1/2	1/2	1/2	1/2		
	Condensate Drain Trap (PVC pipe) - i.d.	3/4	3/4	3/4	3/4		
	with furnished 90° street elbow	3/4 slip x 3/4 Mipt	3/4 slip x 3/4 Mipt	3/4 slip x 3/4 Mipt	3/4 slip x 3/4 Mipt		
	with field supplied (PVC coupling) - o.d.	3/4 slip x 3/4 MPT	3/4 slip x 3/4 MPT	3/4 slip x 3/4 MPT	3/4 slip x 3/4 MPT		
Indoor Blower	Wheel nom. diameter x width - in.	10 x 9	11 x 10	11 x 11	11 x 11		
	Motor output - hp	1/2	3/4	1	1		
	Tons of add-on cooling	2 - 3	2.5 - 4	3 - 5	3 - 5		
	Air Volume Range - cfm	545 - 1360	575 - 1800	890 - 2130	860 - 2180		
Electrical Data	Voltage	120 volts - 60 hertz - 1 phase					
	Blower motor full load amps	7.7	10.1	12.8	12.8		
	Maximum overcurrent protection	15	20	20	20		
Shipping Data	lbs. - 1 package	131	136	164	176		

NOTE - Filters and provisions for mounting are not furnished and must be field provided.

¹ Annual Fuel Utilization Efficiency based on DOE test procedures and according to FTC labeling regulations. Isolated combustion system rating for non-weatherized furnaces.



NOTE - Due to Lennox' ongoing commitment to quality, Specifications, Ratings and Dimensions subject to change without notice and without incurring liability. Improper installation, adjustment, alteration, service or maintenance can cause property damage or personal injury. Installation and service must be performed by a qualified installer and servicing agency.



OPTIONAL ACCESSORIES - ORDER SEPARATELY

NOTE - FURNACE CANNOT BE TWINNED!

		"B" Width	"C" Width	"D" Width	
CABINET ACCESSORIES					
Downflow Combustible Flooring Base - Downflow only		11M60	11M61	---	
Horizontal Suspension Kit - Horizontal only		51W10	51W10	51W10	
Return Air Base - Upflow only		50W98	50W99	51W00	
CONDENSATE DRAIN KITS					
Condensate Drain Heat Cable	6 ft.	26K68	26K68	26K68	
	24 ft.	26K69	26K69	26K69	
Crawl Space Vent Drain Kit	U.S.	51W18	51W18	51W18	
	Canada	15Z70	15Z70	15Z70	
CONTROLS					
iComfort® S30 Thermostat		12U67	12U67	12U67	
¹ Remote Outdoor Air Temperature Sensor (for dual fuel and Humiditrol®)		X2658	X2658	X2658	
² Discharge Air Temperature Sensor		88K38	88K38	88K38	
ComfortSense® 7500 Thermostat		13H14	13H14	13H14	
³ Remote Outdoor Air Temperature Sensor (for dual fuel and Humiditrol®)		X2658	X2658	X2658	
DOWNFLOW FILTER KITS					
Downflow Filter Cabinet		51W07	51W08	---	
⁴ No. and size of filter - in.		(2) 16 x 20 x 1	(2) 16 x 20 x 1	---	
UPFLOW/HORIZONTAL FILTER KITS					
⁴ Air Filter and Rack Kit	Horizontal (end)	87L96	87L97	87L98	
	Side Return	Size of filter - in.	18 x 25 x 1	20 x 25 x 1	25 x 25 x 1
		Single	44J22	44J22	44J22
		Ten Pack	66K63	66K63	66K63
	Size of filter - in.	16 x 25 x 1	16 x 25 x 1	16 x 25 x 1	
SERVICE KIT					
Night Service Kit		14C99	14C99	14C99	
TERMINATION KITS - Direct Vent Applications Only. See Installation Instructions for specific venting information.					
Termination Kits	Concentric	U.S. - 2 in.	71M80	69M29	---
		3 in.	---	60L46	60L46
		Canada - 2 in.	44W92	44W92	---
		3 in.	---	44W93	44W93
	Flush-Mount	U.S. - 2, 2-1/2 or 3 in.	51W11	51W11	51W11
		Canada - 2, 2-1/2 or 3 in.	51W12	51W12	51W12
	Wall - Close Couple	U.S. - 2 in.	22G44	---	---
		3 in.	44J40	44J40	44J40
	Wall - Close Couple WTK	Canada - 2 in.	30G28	---	---
		3 in.	81J20	81J20	81J20
Termination Kits	Roof	2 in.	15F75	15F75	---
	Wall - Wall Ring Kit	2 in.	15F74	15F74	---
Roof Termination Flashing Kit (2 flashings)		3 in.	44J41	44J41	44J41
VENTING					
Flue Coupling		2 in.	17H92	17H92	17H92

¹ Remote Outdoor Temperature Sensor is used with conventional (non-iComfort® Communicating) outdoor units (sensor is furnished with iComfort® Communicating outdoor units). Allows the thermostat to display outdoor temperature. Required in dual-fuel and Humiditrol® applications.

² Optional for service diagnostics.

³ Remote Outdoor Temperature Sensor for ComfortSense® 7500 Thermostat must be connected directly to the thermostat, Do not connect it to the SureLight® control.

⁴ Cleanable frame type filter.

NOTE - Termination Kits (44W92, 44W93, 30G28, 51W12, 81J20) and Crawl Space Vent Drain Kit (15Z70) are certified to ULC S636 standard for use in Canada only.



EL296UHV, EL296DFV - OPTIONAL ACCESSORIES

PRODUCT CATALOG

Page 22
 April 2019
 Supersedes February 2019

GAS HEAT ACCESSORIES

Input	High Altitude Pressure Switch Kit		Natural Gas to LPG/Propane Kit	LPG/Propane to Natural Gas Kit	Natural Gas High Altitude Orifice Kit	LPG/Propane High Altitude Orifice Kit	Muffler (US Only)
	4501 - 7500 ft.	7501 - 10,000 ft.	0 - 7500 ft.	0 - 7500 ft.	7501- 10,000 ft.	7501- 10,000 ft.	
045	14A47	14A50	11K51	77W09	73W37	11K46	15Y66 (2-inch)
070	14A54 (UH) / 14A55 (DF)	14A53 (UH) / 14A56 (DF)	11K51	77W09	73W37	11K46	15Y66 (2-inch)
090	14A57 (UH) / 14A54 (DF)	14A54 (UH) / 14A53 (DF)	11K51	77W09	73W37	11K46	15Y66 (2-inch)
110	14A46	14A51	11K51	77W09	73W37	11K46	¹ 15Y66 (2-inch) 16A56 (3-inch)
135	14A49	14A51	11K51	77W09	73W37	11K46	16A56 (3-inch)

¹ Two-inch diameter muffler (15Y66) is optional for 110 input model with a maximum vent pipe length of up to 29 ft.
 Three-inch diameter muffler (16A56) is optional for 110 input model with a minimum vent pipe length of 30 ft.



PRODUCT CATALOG

**GAS FURNACES
EL296UHE
ELITE® SERIES**

**Upflow/Horizontal - Two-Stage Heat
High Efficiency Blower Motor - Direct/Non-Direct Vent
AFUE - Up to 96% - Input - 44,000 to 132,000 Btuh**

Page 23

April 2019

Supersedes February 2019

FEATURES

Heating System

- Lennox Duralok Plus™ Aluminized Steel Heat Exchanger Assembly
- Aluminized Steel Inshot Burners
- Two-Stage Gas Control Valve with 100% Safety Shutoff
- Flame Rollout Switches
- Limit Controls
- SureLight® Hot Surface Ignitor
- Two-Speed Combustion Air Inducer

Direct Vent/Non-Direct Vent Sealed Combustion

- Direct Vent - combustion air supplied from outdoors
- Non-Direct Vent - combustion air supplied from indoors

Controls

- SureLight® integrated Two-Stage Furnace Control
- 24 Volt Transformer
- Field Wiring Make-up Box

Power Saver™ Constant Torque Blower Motor

High efficiency, multi-speed ECM (Electronically Commutated Motor).

Cabinet

- Upflow, downflow, horizontal-left or horizontal-right applications without any internal modifications to the unit.
- Pre-painted cabinet finish.
- Fully insulated cabinet with foil-faced insulation on sides and back of heating compartment and mat-faced insulation in blower compartment.

Coil Match-up

All furnaces match Lennox cased upflow indoor coils and horizontal indoor coils with same letter designation (A, B, C, D) as in the furnace model number.



ACCESSORIES

See page 33

Cabinet

- Condensate Kits
- Condensate Drain Heat Cable
- Crawl Space Vent Drain Kit
- Horizontal Suspension Kit
- Return Air Base

Controls

- Thermostat
- Twinning Kit

Filter Kits

- Air Filter and Rack Kits

Gas Heating

- Gas Conversion Kits
- High Altitude Orifice Kits
- High Altitude Pressure Switch Kits
- Termination Kits

Service Kits

- Night Service Kit

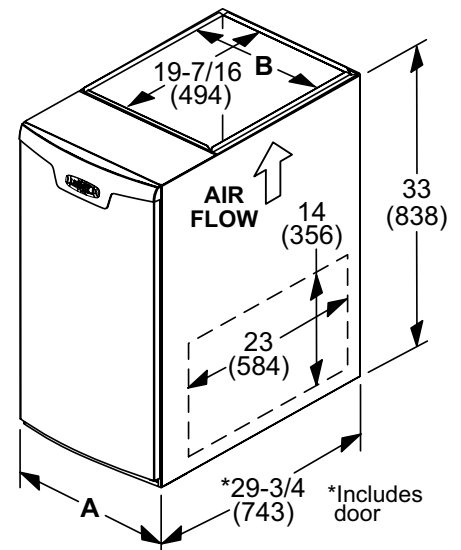
LIMITED WARRANTY

Heat Exchanger - Lifetime (twenty-year transferable). All other covered components - five years.

Refer to Lennox Equipment Limited Warranty certificate included with equipment for details.

DIMENSIONS

Furnace Width		"B"	"C"	"D"
A Dimension		17-1/2 (446)	21 (533)	24-1/2 (622)
B Dimension		16-3/8 (416)	19-7/8 (454)	23-3/8 (546)
Bottom return	Width	16 (406)	19-1/2 (505)	23 (584)
	Depth	23-1/2 (597)	23-1/2 (597)	23-1/2 (597)



NOTE - Due to Lennox' ongoing commitment to quality, Specifications, Ratings and Dimensions subject to change without notice and without incurring liability. Improper installation, adjustment, alteration, service or maintenance can cause property damage or personal injury. Installation and service must be performed by a qualified installer and servicing agency.

SPECIFICATIONS				
Gas	Model No.	EL296UH045XE36B	EL296UH070XE36B	EL296UH090XE48C
Heating	¹ AFUE	96%	96%	96%
Performance	High Fire Input - Btuh	44,000	66,000	88,000
	Output - Btuh	43,000	64,000	84,000
	Temperature rise range - °F	30 - 60	35 - 65	40 - 70
	Gas Manifold Pressure (in. w.g.)	3.5 / 10.0	3.5 / 10.0	3.5 / 10.0
	Nat. Gas / LPG/Propane			
Blower	Low Fire Input - Btuh	29,000	43,000	57,000
	Output - Btuh	28,000	42,000	55,000
	Temperature rise range - °F	20 - 50	25 - 55	30 - 60
	Gas Manifold Pressure (in. w.g.)	1.7 / 4.9	1.7 / 4.9	1.7 / 4.9
	Nat. Gas / LPG/Propane			
High static - in. w.g.		0.5	0.5	0.5
Connections in.	Intake / Exhaust Pipe (PVC)	2 / 2	2 / 2	2 / 2
	Gas pipe size IPS	1/2	1/2	1/2
	Condensate Drain Trap (PVC pipe) - i.d.	3/4	3/4	3/4
	with furnished 90° street elbow	3/4 slip x 3/4 Mipt	3/4 slip x 3/4 Mipt	3/4 slip x 3/4 Mipt
	with field supplied (PVC coupling) - o.d.	3/4 slip x 3/4 MPT	3/4 slip x 3/4 MPT	3/4 slip x 3/4 MPT
Indoor Blower	Wheel nominal diameter x width - in.	10 x 8	10 x 8	10 x 10
	Motor Type	DC Brushless	DC Brushless	DC Brushless
	Motor output - hp	1/2	1/2	3/4
	Tons of add-on cooling	1.5 - 3	1.5 - 3	2.5 - 4
	Air Volume Range - cfm	520 - 1345	550 - 1380	760 - 1740
Electrical Data	Voltage	120 volts - 60 hertz - 1 phase		
	Blower motor full load amps	6.8	6.8	8.4
	Maximum overcurrent protection	15	15	15
Shipping Data	lbs. - 1 package	129	133	159

SPECIFICATIONS				
Gas	Model No.	EL296UH110XE60C	EL296UH135XE60D	
Heating	¹ AFUE	96%	96%	
Performance	High Fire Input - Btuh	110,000	132,000	
	Output - Btuh	106,000	127,000	
	Temperature rise range - °F	40 - 70	45 - 75	
	Gas Manifold Pressure (in. w.g.)	3.5 / 10.0	3.5 / 10.0	
	Nat. Gas / LPG/Propane			
Blower	Low Fire Input - Btuh	72,000	86,000	
	Output - Btuh	70,000	84,000	
	Temperature rise range - °F	30 - 60	35 - 65	
	Gas Manifold Pressure (in. w.g.)	1.7 / 4.9	1.7 / 4.9	
	Nat. Gas / LPG/Propane			
High static - in. w.g.		0.5	0.5	
Connections in.	Intake / Exhaust Pipe (PVC)	2 / 2	2 / 2	
	Gas pipe size IPS	1/2	1/2	
	Condensate Drain Trap (PVC pipe) - i.d.	3/4	3/4	
	with furnished 90° street elbow	3/4 slip x 3/4 Mipt	3/4 slip x 3/4 Mipt	
	with field supplied (PVC coupling) - o.d.	3/4 slip x 3/4 MPT	3/4 slip x 3/4 MPT	
Indoor Blower	Wheel nominal diameter x width - in.	11-1/2 x 10	11-1/2 x 10	
	Motor Type	DC Brushless	DC Brushless	
	Motor output - hp	1	1	
	Tons of add-on cooling	3 - 5	3.5 - 5	
	Air Volume Range - cfm	1055 - 2220	1260 - 2405	
Electrical Data	Voltage	120 volts - 60 hertz - 1 phase		
	Blower motor full load amps	10.9	10.9	
	Maximum overcurrent protection	15	15	
Shipping Data	lbs. - 1 package	174	189	

NOTE - Filters and provisions for mounting are not furnished and must be field provided.

¹ Annual Fuel Utilization Efficiency based on DOE test procedures and according to FTC labeling regulations. Isolated combustion system rating for non-weatherized furnaces.



NOTE - Due to Lennox' ongoing commitment to quality, Specifications, Ratings and Dimensions subject to change without notice and without incurring liability. Improper installation, adjustment, alteration, service or maintenance can cause property damage or personal injury. Installation and service must be performed by a qualified installer and servicing agency.



PRODUCT CATALOG

**GAS FURNACES
EL296DFE
ELITE® SERIES**

**Downflow - Two-Stage Heat
High Efficiency Blower Motor - Direct/Non-Direct Vent
AFUE - 96% - Input - 44,000 to 110,000 Btuh**

Page 25

April 2019

Supersedes February 2019

FEATURES

Heating System

- Lennox Duralok Plus™ Aluminized Steel Heat Exchanger Assembly
- Aluminized Steel Inshot Burners
- Two-Stage Gas Control Valve with 100% Safety Shutoff
- Flame Rollout Switches
- Limit Controls
- SureLight® Hot Surface Ignitor
- Two-Speed Combustion Air Inducer

Direct Vent/Non-Direct Vent Sealed Combustion

- Direct Vent - combustion air supplied from outdoors
- Non-Direct Vent - combustion air supplied from indoors

Controls

- SureLight® integrated Two-Stage Furnace Control
- 24 Volt Transformer
- Field Wiring Make-up Box

Power Saver™ Constant Torque Blower Motor

High efficiency, multi-speed ECM (Electronically Commutated Motor)

Cabinet

- Downflow applications.
- Pre-painted cabinet finish.
- Fully insulated cabinet with foil-faced insulation on sides and back of heating compartment and mat-faced insulation in blower compartment.

Low Leakage Cabinet

Less than 2%.

Coil Match-up

All Lennox downflow indoor coils will physically match the furnace **supply air opening** with the same letter designation (A, B, C, D) as in the furnace model number.



ACCESSORIES

See page 33

Cabinet

- Downflow Combustible Flooring Base
- Condensate Kits
- Condensate Drain Heat Cable
- Crawl Space Vent Drain Kit
- Return Air Base

Controls

- Thermostat
- Twinning Kit

Filter Kits

- Downflow Filter Kits

Gas Heating

- Gas Conversion Kits
- High Altitude Orifice Kits
- High Altitude Pressure Switch Kits
- Termination Kits

Service Kits

- Night Service Kit

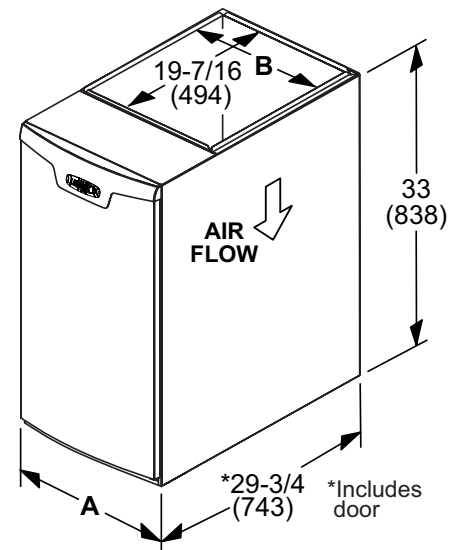
LIMITED WARRANTY

Heat Exchanger - Lifetime (twenty-year transferable). All other covered components - five years.

Refer to Lennox Equipment Limited Warranty certificate included with equipment for details.

Furnace Width		"B"	"C"
A Dimension		17-1/2 (446)	21 (533)
	B Dimension	16-3/8 (416)	19-7/8 (454)
Bottom supply	Width	16 (406)	19-1/2 (495)
	Depth	19-1/4 (489)	19-1/4 (489)

DIMENSIONS



NOTE - Due to Lennox' ongoing commitment to quality, Specifications, Ratings and Dimensions subject to change without notice and without incurring liability. Improper installation, adjustment, alteration, service or maintenance can cause property damage or personal injury. Installation and service must be performed by a qualified installer and servicing agency.

SPECIFICATIONS					
Gas Heating Performance	Model No.	EL296DF045XE36B	EL296DF070XE48B	EL296DF090XE48C	EL296DF110XE60C
	¹ AFUE	96%	96%	96%	96%
High Fire	Input - Btuh	44,000	66,000	88,000	110,000
	Output - Btuh	43,000	64,000	85,000	106,000
	Temperature rise range - °F	35 - 65	35 - 65	40 - 70	45 - 75
	Gas Manifold Pressure (in. w.g.) Nat. Gas / LPG/Propane	3.5 / 10.0	3.5 / 10.0	3.5 / 10.0	3.5 / 10.0
Low Fire	Input - Btuh	29,000	43,000	57,000	72,000
	Output - Btuh	28,000	42,000	55,000	70,000
	Temperature rise range - °F	20 - 50	25 - 55	30 - 60	35 - 65
	Gas Manifold Pressure (in. w.g.) Nat. Gas / LPG/Propane	1.7 / 4.9	1.7 / 4.9	1.7 / 4.9	1.7 / 4.9
High static - in. w.g.		0.5	0.5	0.5	0.5
Connections in.	Intake / Exhaust Pipe (PVC)	2 / 2	2 / 2	2 / 2	2 / 2
	Gas pipe size IPS	1/2	1/2	1/2	1/2
	Condensate Drain Trap (PVC pipe) - i.d.	3/4	3/4	3/4	3/4
	with furnished 90° street elbow with field supplied (PVC coupling) - o.d.	3/4 slip x 3/4 Mipt 3/4 slip x 3/4 MPT	3/4 slip x 3/4 Mipt 3/4 slip x 3/4 MPT	3/4 slip x 3/4 Mipt 3/4 slip x 3/4 MPT	3/4 slip x 3/4 Mipt 3/4 slip x 3/4 MPT
Indoor Blower	Wheel nom. diameter x width - in.	10 x 8	11-1/2 x 10	10 x 10	11 x 11
	Motor Type	DC Brushless	DC Brushless	DC Brushless	DC Brushless
	Motor output - hp	1/2	3/4	3/4	1
	Tons of add-on cooling	1.5 - 3	2 - 4	2 - 4	3 - 5
	Air Volume Range - cfm	485 - 1395	520 - 1770	760 - 1765	1045 - 2285
Electrical Data	Voltage	120 volts - 60 hertz - 1 phase			
	Blower motor full load amps	6.8	8.4	8.4	10.9
	Maximum overcurrent protection	15	15	15	15
Shipping Data	lbs. - 1 package	134	145	163	175

NOTE - Filters and provisions for mounting are not furnished and must be field provided.

¹ Annual Fuel Utilization Efficiency based on DOE test procedures and according to FTC labeling regulations. Isolated combustion system rating for non-weatherized furnaces.



NOTE - Due to Lennox' ongoing commitment to quality, Specifications, Ratings and Dimensions subject to change without notice and without incurring liability. Improper installation, adjustment, alteration, service or maintenance can cause property damage or personal injury. Installation and service must be performed by a qualified installer and servicing agency.



OPTIONAL ACCESSORIES - ORDER SEPARATELY

			"B" Width	"C" Width	"D" Width
CABINET ACCESSORIES					
Downflow Combustible Flooring Base - Downflow only			11M60	11M61	---
Horizontal Suspension Kit - Horizontal only			51W10	51W10	51W10
Return Air Base - Upflow only			50W98	50W99	51W00
CONDENSATE DRAIN KITS					
Condensate Drain Heat Cable	6 ft.		26K68	26K68	26K68
	24 ft.		26K69	26K69	26K69
Crawl Space Vent Drain Kit	U.S.		51W18	51W18	51W18
	Canada		15Z70	15Z70	15Z70
CONTROLS					
Twinning Kit			16W72	16W72	16W72
DOWNFLOW FILTER KITS					
Downflow Filter Cabinet			51W07	51W08	---
¹ No. and size of filter - in.			(2) 16 x 20 x 1	(2) 16 x 20 x 1	---
UPFLOW/HORIZONTAL FILTER KITS					
¹ Air Filter and Rack Kit	Horizontal (end)		87L96	87L97	87L98
		Size of filter - in.	18 x 25 x 1	20 x 25 x 1	25 x 25 x 1
	Side Return	Single	44J22	44J22	44J22
		Ten Pack	66K63	66K63	66K63
		Size of filter - in.	16 x 25 x 1	16 x 25 x 1	16 x 25 x 1
SERVICE KIT					
Night Service Kit			10B39	10B39	10B39
TERMINATION KITS - Direct Vent Applications Only. See Installation Instructions for specific venting information.					
Termination Kits	Concentric	U.S. - 2 in.	71M80	69M29	---
		3 in.	---	60L46	60L46
		Canada - 2 in.	44W92	44W92	---
		3 in.	---	44W93	44W93
	Flush-Mount	U.S. - 2, 2-1/2 or 3 in.	51W11	51W11	51W11
		Canada - 2, 2-1/2 or 3 in.	51W12	51W12	51W12
	Wall - Close Couple	U.S. - 2 in.	22G44	---	---
		3 in.	44J40	44J40	44J40
	Wall - Close Couple WTK	Canada - 2 in.	30G28	---	---
		3 in.	81J20	81J20	81J20
Termination Kits	Roof	2 in.	15F75	15F75	---
	Wall - Wall Ring Kit	2 in.	15F74	³ 15F74	---
² Roof Termination Flashing Kit (2 flashings)		3 in.	44J41	44J41	44J41
VENTING					
Flue Coupling			2 in.	17H92	17H92

¹ Cleanable frame type filter.

² Kits contain enough parts for two, non-direct vent installations.

³ Non-direct vents only.

NOTE - Termination Kits (44W92, 44W93, 30G28, 51W12, 81J20) and Crawl Space Vent Drain Kit (15Z70) are certified to ULC S636 standard for use in Canada only.



EL296UHE, EL296DFE - OPTIONAL ACCESSORIES

PRODUCT CATALOG

Page 28
 April 2019
 Supersedes February 2019

GAS HEAT ACCESSORIES

Input	High Altitude Pressure Switch Kit		Natural Gas to LPG/Propane Kit	LPG/Propane to Natural Gas Kit	Natural Gas High Altitude Orifice Kit	LPG/Propane High Altitude Orifice Kit	Muffler (US Only)
	4501 - 7500 ft.	7501 - 10,000 ft.	0 - 7500 ft.	0 - 7500 ft.	7501- 10,000 ft.	7501- 10,000 ft.	
045	14A47	14A50	11K51	77W09	73W37	11K46	15Y66 (2-inch)
070	14A54 (UH) / 14A55 (DF)	14A53 (UH) / 14A56 (DF)	11K51	77W09	73W37	11K46	15Y66 (2-inch)
090	14A57 (UH) / 14A54 (DF)	14A54 (UH) / 14A53 (DF)	11K51	77W09	73W37	11K46	15Y66 (2-inch)
110	14A46	14A51	11K51	77W09	73W37	11K46	¹ 15Y66 (2-inch) 16A56 (3-inch)
135	14A49	14A51	11K51	77W09	73W37	11K46	16A56 (3-inch)

¹ Two-inch diameter muffler (15Y66) is optional for 110 input model with a maximum vent pipe length of up to 29 ft.
 Three-inch diameter muffler (16A56) is optional for 110 input model with a minimum vent pipe length of 30 ft.



PRODUCT CATALOG

**GAS FURNACES
EL196UHE
ELITE® SERIES**

**Upflow/Horizontal - High Efficiency Blower Motor
Direct/Non-Direct Vent
AFUE - 96% - Input - 30,000 to 110,000 Btuh**

Page 29
April 2019
Supersedes February 2019

FEATURES

Heating System

- Lennox Duralok Plus™ Aluminized Steel Heat Exchanger Assembly
- Aluminized Steel Inshot Burners
- Gas Control Valve with 100% Safety Shutoff
- Flame Rollout Switches
- SureLight® Hot Surface Ignitor
- Combustion Air Inducer
- Limit Control

Direct Vent/Non-Direct Vent Sealed Combustion

- Direct Vent - combustion air supplied from outdoors
- Non-Direct Vent - combustion air supplied from indoors

Controls

- SureLight® Integrated Furnace Control
- 24 Volt Transformer
- Field Wiring Make-up Box

Power Saver™ Constant Torque Blower Motor

- High efficiency, multi-speed ECM (Electronically Commutated Motor)

Cabinet

- Upflow, downflow, horizontal-left or horizontal-right applications without any internal modifications to the unit.
- Pre-painted cabinet finish.

- Fully insulated cabinet with foil-faced insulation on sides and back of heating compartment and mat-faced insulation in blower compartment.

Low Leakage Cabinet

- Less than 2%.

Coil Match-up

- All furnaces match Lennox cased upflow indoor coils and horizontal indoor coils with same letter designation (A, B, C, D) as in the furnace model number.



ACCESSORIES

See page 33

Cabinet

- Condensate Kits
- Condensate Drain Heat Cable
- Crawl Space Vent Drain Kit
- Horizontal Suspension Kit
- Return Air Base

Controls

- Blower Motor Relay Kit
- Thermostat
- Twinning Kit

Filter Kits

- Air Filter and Rack Kits

Gas Heating

- Gas Conversion Kits
- High Altitude Orifice Kits
- High Altitude Pressure Switch Kits
- Termination Kits

Service Kits

- Night Service Kit

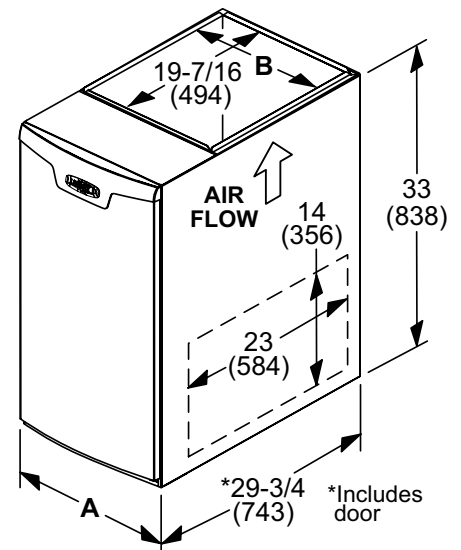
LIMITED WARRANTY

Heat Exchanger - Lifetime (twenty-year transferable). All other covered components - five years.

Refer to Lennox Equipment Limited Warranty certificate included with equipment for details.

DIMENSIONS

Furnace Width		"B"	"C"
A Dimension	Width	17-1/2 (446)	21 (533)
	Depth	23-1/2 (597)	23-1/2 (597)
B Dimension		16-3/8 (416)	19-7/8 (454)
Bottom return		16 (406)	19-1/2 (495)



NOTE - Due to Lennox' ongoing commitment to quality, Specifications, Ratings and Dimensions subject to change without notice and without incurring liability. Improper installation, adjustment, alteration, service or maintenance can cause property damage or personal injury. Installation and service must be performed by a qualified installer and servicing agency.

SPECIFICATIONS				
Gas	Model No.	EL196UH030XE24B	EL196UH045XE24B	EL196UH045XE36B
Heating	¹ AFUE	96%	96%	96%
Performance	Input - Btuh	30,000	44,000	44,000
	Output - Btuh	28,800	42,800	42,800
	Temperature rise range - °F	30 - 60	40 - 70	35 - 65
	Gas Manifold Pressure (in. w.g.)	3.5 / 10	3.5 / 10	3.5 / 10
	Nat. Gas / LPG/Propane			
	High static - in. w.g.	0.5	0.5	0.5
Energy Star® Certified		Yes	Yes	Yes
Connections	Intake / Exhaust Pipe (PVC)	2 / 2	2 / 2	2 / 2
	in. Gas pipe size IPS	1/2	1/2	1/2
	Condensate Drain Trap (PVC pipe) - i.d.	3/4	3/4	3/4
	with furnished 90° street elbow with field supplied (PVC coupling) - o.d.	3/4 slip x 3/4 Mipt	3/4 slip x 3/4 Mipt	3/4 slip x 3/4 Mipt
		3/4 slip x 3/4 MPT	3/4 slip x 3/4 MPT	3/4 slip x 3/4 MPT
Indoor Blower	Wheel nom. dia. x width - in.	10 x 8	10 x 8	10 x 8
	Motor Type	DC Brushless	DC Brushless	DC Brushless
	Motor output - hp	1/2	1/2	1/2
	Tons of add-on cooling	1 - 2	1 - 2	1.5 - 3
	Air Volume Range - cfm	260 - 990	260 - 990	520 - 1345
Electrical Data	Voltage	120 volts - 60 hertz - 1 phase		
	Blower motor full load amps	6.8	6.8	6.8
	Maximum overcurrent protection	15	15	15
Shipping Data	lbs. - 1 package	129	129	129

SPECIFICATIONS				
Gas	Model No.	EL196UH070XE36B	EL196UH090XE48C	EL196UH110XE60C
Heating	¹ AFUE	96%	96%	96%
Performance	Input - Btuh	66,000	88,000	110,000
	Output - Btuh	63,900	85,600	107,200
	Temperature rise range - °F	35 - 65	50 - 80	45 - 75
	Gas Manifold Pressure (in. w.g.)	3.5 / 10	3.5 / 10	3.5 / 10
	Nat. Gas / LPG/Propane			
	High static - in. w.g.	0.5	0.5	0.5
Energy Star® Certified		Yes	Yes	Yes
Connections	Intake / Exhaust Pipe (PVC)	2 / 2	2 / 2	2 / 2
	in. Gas pipe size IPS	1/2	1/2	1/2
	Condensate Drain Trap (PVC pipe) - i.d.	3/4	3/4	3/4
	with furnished 90° street elbow with field supplied (PVC coupling) - o.d.	3/4 slip x 3/4 Mipt	3/4 slip x 3/4 Mipt	3/4 slip x 3/4 Mipt
		3/4 slip x 3/4 MPT	3/4 slip x 3/4 MPT	3/4 slip x 3/4 MPT
Indoor Blower	Wheel nom. dia. x width - in.	10 x 8	10 x 10	11-1/2 x 10
	Motor Type	DC Brushless	DC Brushless	DC Brushless
	Motor output - hp	1/2	3/4	1
	Tons of add-on cooling	1.5 - 3	2.5 - 4	3 - 5
	Air Volume Range - cfm	550 - 1380	760 - 1740	1055 - 2220
Electrical Data	Voltage	120 volts - 60 hertz - 1 phase		
	Blower motor full load amps	6.8	8.4	10.9
	Maximum overcurrent protection	15	15	15
Shipping Data	lbs. - 1 package	134	158	170

NOTE - Filters and provisions for mounting are not furnished and must be field provided.

¹ Annual Fuel Utilization Efficiency based on DOE test procedures and according to FTC labeling regulations. Isolated combustion system rating for non-weatherized furnaces.



NOTE - Due to Lennox' ongoing commitment to quality, Specifications, Ratings and Dimensions subject to change without notice and without incurring liability. Improper installation, adjustment, alteration, service or maintenance can cause property damage or personal injury. Installation and service must be performed by a qualified installer and servicing agency.



PRODUCT CATALOG

**GAS FURNACES
EL196DFE
ELITE® SERIES**

**Downflow - High Efficiency Blower Motor
Direct/Non-Direct Vent
AFUE - 96% - Input - 44,000 to 88,000 Btuh**

Page 31
April 2019
Supersedes February 2019

FEATURES

Heating System

- Lennox Duralok Plus™ Aluminized Steel Heat Exchanger Assembly
- Aluminized Steel Inshot Burners
- Gas Control Valve with 100% Safety Shutoff
- Flame Rollout Switches
- SureLight® Hot Surface Ignitor
- Combustion Air Inducer
- Limit Control

Direct Vent/Non-Direct Vent Sealed Combustion

- Direct Vent - combustion air supplied from outdoors
- Non-Direct Vent - combustion air supplied from indoors

Controls

- SureLight® Integrated Furnace Control
- 24 Volt Transformer
- Field Wiring Make-up Box

Power Saver™ Constant Torque Blower Motor

- High efficiency, multi-speed ECM (Electronically Commutated Motor)

Cabinet

- Downflow applications.
- Pre-painted cabinet finish.
- Fully insulated cabinet with foil-faced insulation on sides and back of heating compartment and mat-faced insulation in blower compartment.

Low Leakage Cabinet

- Less than 2%.

Coil Match-up

- All Lennox downflow indoor coils will physically match the furnace **supply air opening** with the same letter designation (A, B, C, D) as in the furnace model number.



ACCESSORIES

See page 33

Cabinet

- Downflow Combustible Flooring Base
- Condensate Kits
- Condensate Drain Heat Cable
- Crawl Space Vent Drain Kit

Controls

- Blower Motor Relay Kit
- Thermostat
- Twinning Kit

Filter Kits

- Downflow Filter Kits

Gas Heating

- Gas Conversion Kits
- High Altitude Orifice Kits
- High Altitude Pressure Switch Kits
- Termination Kits

Service Kits

- Night Service Kit

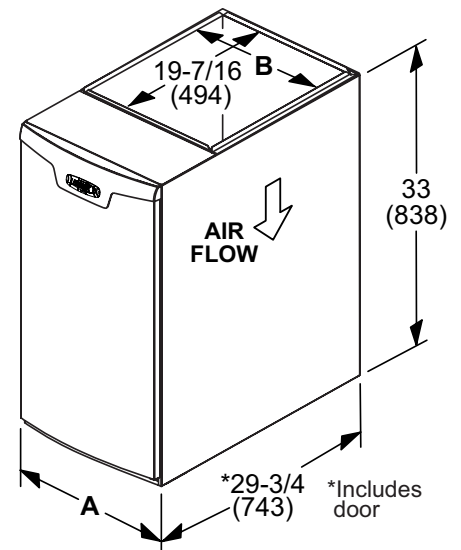
LIMITED WARRANTY

Heat Exchanger - Twenty-year transferable. All other covered components - five years.

Refer to Lennox Equipment Limited Warranty certificate included with equipment for details.

DIMENSIONS

Furnace Width		"B"	"C"
A Dimension		17-1/2 (446)	21 (533)
	B Dimension	16-3/8 (416)	19-7/8 (454)
Bottom supply	Width	16 (406)	19-1/2 (495)
	Depth	19-1/4 (489)	19-1/4 (489)



NOTE - Due to Lennox' ongoing commitment to quality, Specifications, Ratings and Dimensions subject to change without notice and without incurring liability. Improper installation, adjustment, alteration, service or maintenance can cause property damage or personal injury. Installation and service must be performed by a qualified installer and servicing agency.

SPECIFICATIONS				
Gas Heating Performance	Model No.	EL196DF045XE36B	EL196DF070XE48B	EL196DF090XE48C
	¹ AFUE	96%	96%	96%
	Input - Btuh	44,000	66,000	88,000
	Output - Btuh	42,000	64,000	85,000
	Temperature rise range - °F	30 - 60	35 - 65	50 - 80
	Gas Manifold Pressure (in. w.g.) Nat. Gas / LPG/Propane	3.5 / 10	3.5 / 10	3.5 / 10
	High static - in. w.g.	0.5	0.5	0.5
Connections in.	Intake / Exhaust Pipe (PVC)	2 / 2	2 / 2	2 / 2
	Gas pipe size IPS	1/2	1/2	1/2
	Condensate Drain Trap (PVC pipe) - i.d.	3/4	3/4	3/4
	with furnished 90° street elbow	3/4 slip x 3/4 Mipt	3/4 slip x 3/4 Mipt	3/4 slip x 3/4 Mipt
	with field supplied (PVC coupling) - o.d.	3/4 slip x 3/4 MPT	3/4 slip x 3/4 MPT	3/4 slip x 3/4 MPT
Indoor Blower	Wheel nom. diameter x width - in.	10 x 8	11-1/2 x 10	10 x 10
	Motor Type	DC Brushless	DC Brushless	DC Brushless
	Motor output - hp	1/2	3/4	3/4
	Tons of add-on cooling	1.5 - 3	2 - 4	2 - 4
	Air Volume Range - cfm	505 - 1455	525 - 1720	860 - 1760
Electrical Data	Voltage	120 volts - 60 hertz - 1 phase		
	Blower motor full load amps	6.8	8.4	8.4
	Maximum overcurrent protection	15	15	15
Shipping Data	lbs. - 1 package	131	144	160

NOTE - Filters and provisions for mounting are not furnished and must be field provided.

¹ Annual Fuel Utilization Efficiency based on DOE test procedures and according to FTC labeling regulations. Isolated combustion system rating for non-weatherized furnaces.



NOTE - Due to Lennox' ongoing commitment to quality, Specifications, Ratings and Dimensions subject to change without notice and without incurring liability. Improper installation, adjustment, alteration, service or maintenance can cause property damage or personal injury. Installation and service must be performed by a qualified installer and servicing agency.



OPTIONAL ACCESSORIES - ORDER SEPARATELY

		"B" Width	"C" Width	
CABINET ACCESSORIES				
Downflow Combustible Flooring Base - Downflow only		11M60	11M61	
Horizontal Suspension Kit - Horizontal only		51W10	51W10	
Return Air Base - Upflow only		50W98	50W99	
CONDENSATE DRAIN KITS				
Condensate Drain Heat Cable	6 ft.	26K68	26K68	
	24 ft.	26K69	26K69	
Crawl Space Vent Drain Kit	U.S.	51W18	51W18	
	Canada	15Z70	15Z70	
CONTROLS				
Blower Motor Relay Kit (for two-stage outdoor units)		85W66	85W66	
Twinning Kit		16W72	16W72	
DOWNFLOW FILTER KITS				
Downflow Filter Cabinet		51W07	51W08	
	¹ No. and size of filter - in.	(2) 16 x 20 x 1	(2) 16 x 20 x 1	
UPFLOW/HORIZONTAL FILTER KITS				
¹ Air Filter and Rack Kit	Horizontal (end)	87L96	87L97	
	Side Return	Size of filter - in.	18 x 25 x 1	20 x 25 x 1
		Single	44J22	44J22
		Ten Pack	66K63	66K63
	Size of filter - in.	16 x 25 x 1	16 x 25 x 1	
SERVICE KIT				
Night Service Kit		84W48	84W48	
TERMINATION KITS - Direct Vent Applications Only. See Installation Instructions for specific venting information.				
Termination Kits	Concentric	U.S. - 2 in.	71M80	69M29
		3 in.	---	60L46
		Canada - 2 in.	44W92	44W92
		3 in.	---	44W93
	Flush-Mount	U.S. - 2, 2-1/2 or 3 in.	51W11	51W11
		Canada - 2, 2-1/2 or 3 in.	51W12	51W12
	Wall - Close Couple	U.S. - 2 in.	22G44	---
		3 in.	44J40	44J40
	Wall - Close Couple	Canada - 2 in.	30G28	---
	WTK	3 in.	81J20	81J20
Termination Kits	Roof	2 in.	15F75	15F75
	Wall Ring Kit	2 in.	15F74	³ 15F74
² Roof Termination Flashing Kit (2 flashings)		3 in.	44J41	44J41
VENTING				
Flue Coupling	2 in.	17H92	17H92	

¹ Cleanable frame type filter.

² Kits contain enough parts for two, non-direct vent installations.

³ Non-direct vent only.

NOTE - Termination Kits (44W92, 44W93, 30G28, 51W12, 81J20) and Crawl Space Vent Drain Kit (15Z70) are certified to ULC S636 standard for use in Canada only.

GAS HEAT ACCESSORIES

Input	High Altitude Pressure Switch Kit		Natural Gas to LPG/Propane Kit	LPG/Propane to Natural Gas Kit	Natural Gas High Altitude Orifice Kit	LPG/Propane High Altitude Orifice Kit	Muffler (US Only)
	4501 - 7500 ft.	7501 - 10,000 ft.	0 - 7500 ft.	0 - 7500 ft.	7501 - 10,000 ft.	7501 - 10,000 ft.	
030	No Change	11U65	13X54	N/A	14C90	14C91	15Y66 (2-inch)
045	No Change	11U65	11K49	73W81	73W37	11K44	15Y66 (2-inch)
070	17V95	11U67	11K49	73W81	73W37	11K44	15Y66 (2-inch)
090	11U70	11U64	11K49	73W81	73W37	11K44	15Y66 (2-inch)
110	11U71	11U64	11K49	73W81	73W37	11K44	¹ 15Y66 (2-inch) 16A56 (3-inch)

¹ Two-inch diameter muffler (15Y66) is optional for 110 input model with a maximum vent pipe length of up to 29 ft.

Three-inch diameter muffler (16A56) is optional for 110 input model with a minimum vent pipe length of 30 ft.

NOTE - Due to Lennox' ongoing commitment to quality, Specifications, Ratings and Dimensions subject to change without notice and without incurring liability.

Improper installation, adjustment, alteration, service or maintenance can cause property damage or personal injury.

Installation and service must be performed by a qualified installer and servicing agency.



GAS FURNACES EL195UHNE ELITE® SERIES

PRODUCT CATALOG

Upflow/Horizontal - High Efficiency Blower Motor
Direct/Non-Direct Vent
Ultra-Low NOx (14ng/J) - AFUE - 95% - Input - 40,000 to 100,000 Btuh

Page 35

April 2019

Supersedes February 2019

FEATURES

Heating System

Heavy-gauge Aluminized Steel Heat Exchanger Assembly

Secondary heat exchanger condenser coil constructed of aluminum fins fitted to stainless steel tubes

Modulating Gas Control Valve

SureLight® Hot Surface Ignitor

Combustion Air Inducer

Pressure Switch

Thermal Switch

Limit Control

Direct Vent/Non-Direct Vent Sealed Combustion

Direct Vent - combustion air supplied from outdoors

Non-Direct Vent - combustion air supplied from indoors

Controls

SureLight® Integrated Furnace Control

24 Volt Transformer

Field Wiring Make-up Box

Power Saver™ Constant Torque Blower Motor

High efficiency, multi-speed ECM (Electronically Commutated Motor)

Cabinet

Upflow, downflow, horizontal-left or horizontal-right applications without any internal modifications to the unit. Pre-painted cabinet finish.

Fully insulated cabinet with foil-faced insulation on sides and back of heating compartment and mat-faced insulation in blower compartment.

Low Leakage Cabinet

Less than 2%.

Coil Match-up

All furnaces match Lennox cased upflow indoor coils and horizontal indoor coils with same letter designation (A, B, C, D) as in the furnace model number.



NOTE - Units are Natural Gas Only!

NOTE - Not available in all areas! Contact your nearest Lennox Sales Office for details.

ACCESSORIES

See page 37

Cabinet

- Condensate Kits
- Condensate Drain Heat Cable
- Crawl Space Vent Drain Kit
- Horizontal Suspension Kit
- Return Air Base

Controls

- Blower Motor Relay Kit
- Thermostat
- Twinning Kit

Filter Kits

- Air Filter and Rack Kits

Gas Heating

- Termination Kits

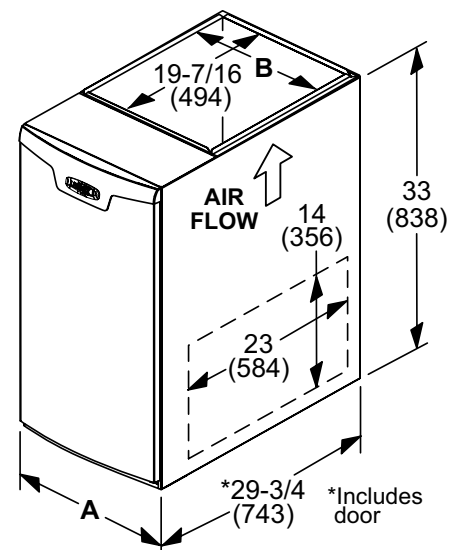
LIMITED WARRANTY

Heat Exchanger - Twenty-years.
All other covered components - five years.

Refer to Lennox Equipment Limited Warranty certificate included with equipment for details.

Furnace Width		"B"	"C"
A Dimension	Width	17-1/2 (446)	21 (533)
	Depth	23-1/2 (597)	23-1/2 (597)
B Dimension	Width	16-3/8 (416)	19-7/8 (454)
	Depth	23-1/2 (597)	23-1/2 (597)
Bottom return	Width	16 (406)	19-1/2 (495)
	Depth	23-1/2 (597)	23-1/2 (597)

DIMENSIONS



NOTE - Due to Lennox' ongoing commitment to quality, Specifications, Ratings and Dimensions subject to change without notice and without incurring liability. Improper installation, adjustment, alteration, service or maintenance can cause property damage or personal injury. Installation and service must be performed by a qualified installer and servicing agency.

SPECIFICATIONS			
Gas	Model No.	EL195UH040NE36B	EL195UH060NE36B
Heating	¹ AFUE	95%	95%
Performance	Input - Btuh	40,000	60,000
	Output - Btuh	39,000	58,000
	Temperature rise range - °F	30 - 60	35 - 65
	Gas Manifold Pressure (in. w.g.)	3.5	3.5
	Nat. Gas / LPG/Propane		
	High static - in. w.g.	0.5	0.5
Energy Star® Certified		Yes	Yes
Connections in.	Intake / Exhaust Pipe (PVC)	2 / 2	2 / 2
	Gas pipe size IPS	1/2	1/2
	Condensate Drain Trap (PVC pipe) - i.d.	3/4	3/4
	with furnished 90° street elbow with field supplied (PVC coupling) - o.d.	3/4 slip x 3/4 Mipt 3/4 slip x 3/4 MPT	3/4 slip x 3/4 Mipt 3/4 slip x 3/4 MPT
Indoor Blower	Wheel nom. dia. x width - in.	10 x 8	10 x 8
	Motor Type	DC Brushless	DC Brushless
	Motor output - hp	1/2	1/2
	Tons of add-on cooling	1 - 2	1.5 - 3
	Air Volume Range - cfm	260 - 990	550 - 1380
Electrical Data	Voltage	120 volts - 60 hertz - 1 phase	
	Blower motor full load amps	6.8	6.8
	Maximum overcurrent protection	15	15
Shipping Data	lbs. - 1 package	122	128

SPECIFICATIONS			
Gas	Model No.	EL195UH080NE48C	EL195UH100NE60C
Heating	¹ AFUE	95%	95%
Performance	Input - Btuh	80,000	100,000
	Output - Btuh	78,000	97,000
	Temperature rise range - °F	40 - 70	45 - 75
	Gas Manifold Pressure (in. w.g.)	3.5	3.5
	Nat. Gas / LPG/Propane		
	High static - in. w.g.	0.5	0.5
Energy Star® Certified		Yes	Yes
Connections in.	Intake / Exhaust Pipe (PVC)	2 / 2	2 / 2
	Gas pipe size IPS	1/2	1/2
	Condensate Drain Trap (PVC pipe) - i.d.	3/4	3/4
	with furnished 90° street elbow with field supplied (PVC coupling) - o.d.	3/4 slip x 3/4 Mipt 3/4 slip x 3/4 MPT	3/4 slip x 3/4 Mipt 3/4 slip x 3/4 MPT
Indoor Blower	Wheel nom. dia. x width - in.	10 x 10	11-1/2 x 10
	Motor Type	DC Brushless	DC Brushless
	Motor output - hp	3/4	1
	Tons of add-on cooling	2.5 - 4	3.5 - 5
	Air Volume Range - cfm	760 - 1740	1260 - 2405
Electrical Data	Voltage	120 volts - 60 hertz - 1 phase	
	Blower motor full load amps	8.4	10.9
	Maximum overcurrent protection	15	15
Shipping Data	lbs. - 1 package	148	157

NOTE - Filters and provisions for mounting are not furnished and must be field provided.

¹ Annual Fuel Utilization Efficiency based on DOE test procedures and according to FTC labeling regulations. Isolated combustion system rating for non-weatherized furnaces.



NOTE - Due to Lennox' ongoing commitment to quality, Specifications, Ratings and Dimensions subject to change without notice and without incurring liability. Improper installation, adjustment, alteration, service or maintenance can cause property damage or personal injury. Installation and service must be performed by a qualified installer and servicing agency.



OPTIONAL ACCESSORIES - ORDER SEPARATELY

			"B" Width Models	"C" Width Models
CABINET ACCESSORIES				
Horizontal Suspension Kit - Horizontal only			51W10	51W10
Return Air Base - Upflow only			50W98	50W99
High Performance Economizer (Commercial Only)			10U53	10U53
CONDENSATE DRAIN KITS				
Condensate Drain Heat Cable	6 ft.		26K68	26K68
	24 ft.		26K69	26K69
Crawl Space Vent Drain Kit	US		51W18	51W18
	Canada		15Z70	15Z70
CONTROLS				
Blower Relay Kit (for two-stage outdoor units)			85W66	85W66
Twinning Kit			16W72	16W72
UPFLOW/HORIZONTAL FILTER KITS				
¹ Air Filter and Rack Kit	Horizontal (end)	Size of filter - in.	87L96 - 18 x 25 x 1	87L97 - 20 x 25 x 1
	Side Return	Single	44J22	44J22
		Ten Pack	66K63	66K63
		Size of filter - in.	16 x 25 x 1	16 x 25 x 1
TERMINATION KITS				
See Installation Instructions for specific venting information.				
Termination Kits - Direct Vent Applications Only	Concentric	US - 2 in.	71M80	69M29
		3 in.	---	60L46
		Canada - 2 in.	44W92	44W92
		3 in.	---	44W93
	Flush-Mount	US - 2, 2-1/2 or 3 in.	51W11	51W11
		Canada - 2, 2-1/2 or 3 in.	51W12	51W12
	Wall - Close Couple	US - 2 in.	22G44	---
		3 in.	44J40	44J40
	Wall - Close Couple WTK	Canada - 2 in.	30G28	---
		3 in.	81J20	81J20
Termination Kits - Direct or Non-Direct Vent	Roof	2 in.	15F75	15F75
	Wall Ring Kit	2 in.	15F74	³ 15F74
Roof Termination Flashing Kit - Direct or Non-Direct Vent (2 flashings)		3 in.	44J41	44J41
VENTING				
Flue Coupling		2 in.	17H92	17H92

¹ Cleanable polyurethane frame type filter.

² Kits contain enough parts for two, non-direct vent installations.

³ Non-direct vent only.

NOTE - Termination Kits (**44W92, 44W93, 30G28, 51W12, 51W19, 81J20**) and Crawl Space Vent Drain Kit (**15Z70**) are certified to ULC S636 standard for use in Canada only.



PRODUCT CATALOG

**GAS FURNACES
EL280UHE
ELITE® SERIES**

Upflow/Horizontal - Two-Stage Heat - High Efficiency Blower Motor
AFUE - 80%

Input - 44,000 to 110,000 Btuh

Page 39

April 2019

Supersedes February 2019

NOTE - Not Available In Canada!

FEATURES

Heating System

- Lennox Duralok™ Aluminized Steel Heat Exchanger Assembly
- Aluminized Steel Inshot Burners
- Two-Stage Gas Control Valve with 100% Safety Shutoff
- Flame Rollout Switches
- SureLight® Hot Surface Ignitor
- Limit Controls

Controls

- SureLight® integrated Two-Stage Furnace Control
- 24 Volt Transformer
- Field Wiring Make-up Box

Power Saver™ Constant Torque Blower Motor

High efficiency, multi-speed ECM (Electronically Commutated Motor)

Cabinet

- Upflow/Horizontal applications
- Pre-painted cabinet finish.
- Fully insulated cabinet with foil-faced insulation on sides and back of heating compartment and mat-faced insulation in blower compartment.

Low Leakage Cabinet

Less than 2%.

Coil Match-up

All furnaces match Lennox cased upflow indoor coils and horizontal indoor coils with same letter designation (A, B, C, D) as in the furnace model number.



ACCESSORIES

See page 43

Cabinet

- Horizontal Suspension Kit
- Return Air Base

Controls

- Thermostat
- Twinning Kit

Filter Kits

- Air Filter and Rack Kits

Gas Heating

- Gas Conversion Kits
- High Altitude Orifice Kit (natural gas only)
- High Altitude Pressure Switch Kit
- Vent Adaptor (Upflow Applications Only)

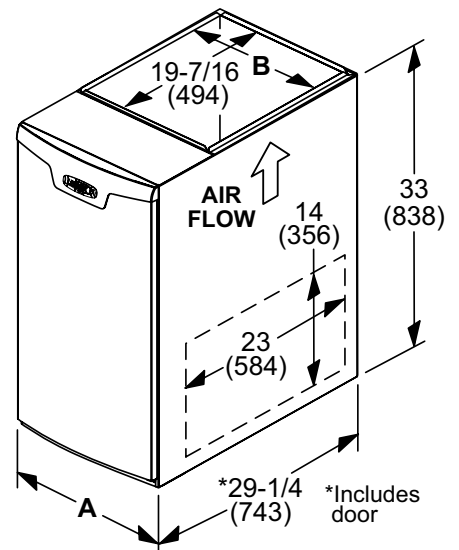
LIMITED WARRANTY

Heat Exchanger - Twenty-years.
All other covered components - five years.

Refer to Lennox Equipment Limited Warranty certificate included with equipment for details.

Furnace Width	"A"	"B"	"C"
A Dimension	14-1/2 (368)	17-1/2 (446)	21 (533)
B Dimension	13-3/8 (340)	16-3/8 (416)	19-7/8 (454)
Bottom Width return	13 (330)	16 (406)	19-1/2 (495)
Depth	23-1/2 (597)	23-1/2 (597)	23-1/2 (597)

DIMENSIONS



NOTE - Due to Lennox' ongoing commitment to quality, Specifications, Ratings and Dimensions subject to change without notice and without incurring liability. Improper installation, adjustment, alteration, service or maintenance can cause property damage or personal injury. Installation and service must be performed by a qualified installer and servicing agency.

SPECIFICATIONS							
Gas Heating Performance	Model No.	EL280UH045E36A	EL280UH070E36A	EL280UH090E36B	EL280UH090E48B		
	Model No. - Low Nox	---	EL280UH070XE36A	---	EL280UH090XE48B		
Performance	AHRI Ref. No.	Non "X" Models "X" Models	N/A N/A	N/A N/A	N/A ---	N/A N/A	
		¹ AFUE	80%	80%	80%	80%	
High Fire	Input - Btuh Output - Btuh Temperature rise range - °F		44,000 35,000 30 - 60	66,000 53,000 30 - 60	88,000 70,000 35 - 65	88,000 69,000 30 - 60	
		Gas Manifold Pres. (in. w.g.) Nat. Gas/LPG	3.5 / 10.0	3.5 / 10.0	3.5 / 10.0	3.5 / 10.0	
		Low Fire	Input - Btuh Output - Btuh Temperature rise range - °F	29,000 23,000 20 - 50	43,000 35,000 20 - 50	57,000 46,000 25 - 55	57,000 46,000 20 - 50
Gas Manifold Press. (in. w.g.) Nat. Gas/LPG		1.7 / 4.9	1.7 / 4.9	1.7 / 4.9	1.7 / 4.9		
High static - in. w.g.	Heating Cooling		0.5 0.5	0.5 0.5	0.5 0.5	0.5 0.5	
		Connections in.	Flue connection - in. round Gas pipe size IPS	4 1/2	4 1/2	4 1/2	4 1/2
Indoor Blower	Wheel nominal diameter x width - in. Motor output - hp Tons of add-on cooling Air Volume Range - cfm		10 x 8 1/2 1.5 - 3.5 250 - 1500	10 x 8 1/2 2 - 3.5 350 - 1375	10 x 9 1/2 2 - 3.5 350 - 1600	10 x 10 3/4 3 - 4 765 - 1800	
		Electrical Data	Voltage	120 volts - 60 hertz - 1 phase			
		Blower motor full load amps Maximum overcurrent protection	6.1 15	6.1 15	6.1 15	8.2 15	
Shipping Data	lbs. - 1 package	113	126	141	144		

SPECIFICATIONS							
Gas Heating Performance	Model No.	EL280UH110E48C	EL280UH110E60C	EL280UH110XE60C			
	Model No. - Low Nox	---	---	---			
Performance	AHRI Ref. No.	Non "X" Models "X" Models	N/A ---	N/A ---	N/A ---		
		¹ AFUE	80%	80%	80%		
High Fire	Input - Btuh Output - Btuh Temperature rise range - °F		110,000 86,000 35 - 65	110,000 87,000 30 - 60	110,000 87,000 30 - 60		
		Gas Manifold Pres. (in. w.g.) Nat. Gas/LPG	3.5 / 10.0	3.5 / 10.0	3.5 / 10.0		
		Low Fire	Input - Btuh Output - Btuh Temperature rise range - °F	72,000 58,000 25 - 55	72,000 58,000 20 - 50	72,000 58,000 20 - 50	
Gas Manifold Pres. (in. w.g.) Nat. Gas/LPG		1.7 / 4.9	1.7 / 4.9	1.7 / 4.9			
High static - in. w.g.	Heating Cooling		0.5 0.5	0.5 0.5	0.5 0.5		
		Connections in.	Flue connection - in. round Gas pipe size IPS	4 1/2	4 1/2	4 1/2	
Indoor Blower	Wheel nominal diameter x width - in. Motor output - hp Tons of add-on cooling Air Volume Range - cfm		10 x 10 3/4 3 - 4 865 - 1780	11-1/2 x 10 1 4 - 5 1100 - 2200	11-1/2 x 10 1 4 - 5 1100 - 2200		
		Electrical Data	Voltage	120 volts - 60 hertz - 1 phase			
		Blower motor full load amps Maximum overcurrent protection	8.2 15	8.2 15	10 15	10 15	
Shipping Data	lbs. - 1 package	161		169			

NOTE - Filters and provisions for mounting are not furnished and must be field provided.

¹ Annual Fuel Utilization Efficiency based on DOE test procedures and according to FTC labeling regulations. Isolated combustion system rating for non-weatherized furnaces.

² Flue connection on the unit is 4 in. diameter. Most applications will require

5 in. venting and field supplied 4 x 5 in. adaptor. See Venting Tables in the Installation Instructions for detailed information.



NOTE - Due to Lennox' ongoing commitment to quality, Specifications, Ratings and Dimensions subject to change without notice and without incurring liability. Improper installation, adjustment, alteration, service or maintenance can cause property damage or personal injury. Installation and service must be performed by a qualified installer and servicing agency.



PRODUCT CATALOG

**GAS FURNACES
EL280DFE
ELITE® SERIES**

**Downflow- Two-Stage Heat - High Efficiency Blower Motor
AFUE - 80%
Input - 66,000 to 88,000 Btuh**

Page 41
April 2019
Supersedes February 2019

NOTE - Not Available In Canada!

FEATURES

Heating System

- Lennox Duralok™ Aluminized Steel Heat Exchanger Assembly
- Aluminized Steel Inshot Burners
- Two-Speed Combustion Air Inducer
- Two-Stage Gas Control Valve with 100% Safety Shutoff
- Flame Rollout Switches
- SureLight® Hot Surface Ignitor
- Limit Controls

Controls

- SureLight® Integrated Two-Stage Furnace Control
- 24 Volt Transformer
- Field Wiring Make-up Box

Power Saver™ Constant Torque Blower Motor

High efficiency, multi-speed ECM (Electronically Commutated Motor)

Cabinet

- Downflow applications
- Pre-painted cabinet finish.
- Fully insulated cabinet with foil-faced insulation on sides and back of heating compartment and mat-faced insulation in blower compartment.

Low Leakage Cabinet

Less than 2%.

Coil Match-up

All Lennox downflow indoor coils will physically match the furnace **supply air opening** with the same letter designation (A, B, C, D) as in the furnace model number.



ACCESSORIES

See page 43

Cabinet

- Downflow Combustible Flooring Base

Controls

- Thermostat
- Twinning Kit

Filter Kits

- Downflow Filter Kits

Gas Heating

- Gas Conversion Kits
- High Altitude Orifice Kit (natural gas only)
- High Altitude Pressure Switch Kit

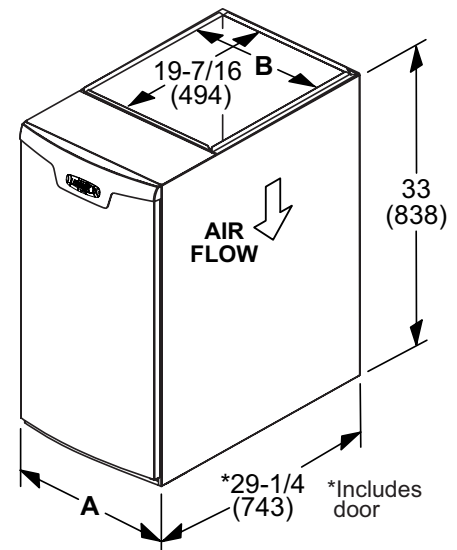
LIMITED WARRANTY

Heat Exchanger - Twenty-year transferable. All other covered components - five years.

Refer to Lennox Equipment Limited Warranty certificate included with equipment for details.

Furnace Width	"A"	"B"
A Dimension	14-1/2 (368)	17-1/2 (446)
B Dimension	13-3/8 (340)	16-3/8 (416)
Bottom Width	13 (330)	16 (406)
Depth	19-1/4 (489)	19-1/4 (489)

DIMENSIONS



NOTE - Due to Lennox' ongoing commitment to quality, Specifications, Ratings and Dimensions subject to change without notice and without incurring liability. Improper installation, adjustment, alteration, service or maintenance can cause property damage or personal injury. Installation and service must be performed by a qualified installer and servicing agency.

SPECIFICATIONS

		Model No.	EL280DF070E36A	EL280DF090E48B		
Gas Heating Performance	AHRI Ref. No.					
	¹ AFUE		80%	80%		
	High Fire	Input - Btuh		66,000	88,000	
		Output - Btuh		52,000	69,000	
		Temperature rise range - °F		30 - 60	35 - 65	
		Gas Manifold Pressure (in. w.g.) Nat. Gas / LPG/Propane		3.5 / 10.0	3.5 / 10.0	
	Low Fire	Input - Btuh		43,000	57,000	
		Output - Btuh		35,000	46,000	
			Temperature rise range - °F		20 - 50	20 - 50
			Gas Manifold Pressure (in. w.g.) Nat. Gas / LPG/Propane		1.7 / 4.9	1.7 / 4.9
High static - in. w.g.	Heating		0.5	0.5		
	Cooling		0.5	0.5		
Connections in.	Flue connection - in. round		4	4		
	Gas pipe size IPS		1/2	1/2		
Indoor Blower	Wheel nominal diameter x width - in.		10 x 8	10 x 10		
	Motor output - hp		1/2	3/4		
	Tons of add-on cooling		2 - 3.5	3 - 4		
	Air Volume Range - cfm		400 - 1475	780 - 1700		
Electrical Data	Voltage		120 volts - 60 hertz - 1 phase			
	Blower motor full load amps		6.1	8.2		
	Maximum overcurrent protection		15	15		
Shipping Data	lbs. - 1 package		128	140		

NOTE - Filters and provisions for mounting are not furnished and must be field provided.

¹ Annual Fuel Utilization Efficiency based on DOE test procedures and according to FTC labeling regulations. Isolated combustion system rating for non-weatherized furnaces.



NOTE - Due to Lennox' ongoing commitment to quality, Specifications, Ratings and Dimensions subject to change without notice and without incurring liability. Improper installation, adjustment, alteration, service or maintenance can cause property damage or personal injury. Installation and service must be performed by a qualified installer and servicing agency.



OPTIONAL ACCESSORIES - ORDER SEPARATELY

	"A" Width	"B" Width	"C" Width		
CABINET ACCESSORIES					
Downflow Combustible Flooring Base - Downflow only	11M59	11M60	---		
Horizontal Suspension Kit - Horizontal only	51W10	51W10	51W10		
Return Air Base - Upflow only	65W75	50W98	50W99		
CONTROLS					
Twinning Kit	16W72	16W72	16W72		
DOWNFLOW FILTER KITS					
Downflow Filter Cabinet	51W06	51W07	---		
¹ No. and Size of filter - in.	(1) 20 x 20 x 1	(2) 16 x 20 x 1	(2) 16 x 20 x 1		
NIGHT SERVICE KIT					
Night Service Kit	17B59	17B59	17B59		
UPFLOW/HORIZONTAL FILTER KITS					
¹ Air Filter and Rack Kit	Horizontal (end)	87L95	87L96	87L97	
	Size of filter - in.	14 x 25 x 1	18 x 25 x 1	20 x 25 x 1	
	Side Return	Single	44J22	44J22	44J22
		Ten Pack	66K63	66K63	66K63
	Size of filter - in.	16 x 25 x 1	16 x 25 x 1	16 x 25 x 1	
VENTING					
Vent Adaptor – 6 in. connection size upflow applications only	18M79	18M79	18M79		

¹ Cleanable polyurethane, frame-type filter.

GAS HEAT ACCESSORIES - ORDER SEPARATELY

Input	High Altitude Pressure Switch Kit			Natural Gas to LPG/Propane Kit	LPG/Propane to Natural Gas Kit	Natural Gas High Altitude Orifice Kit	LPG/Propane High Altitude Orifice Kit
	0 - 4500 ft.	4501 - 7500 ft.	7501 - 10,000 ft.	0 - 7500 ft.	0 - 7500 ft.	7501 - 10,000 ft.	7501 - 10,000 ft.
045	No Change	91W53	73W35	11K51	77W09	73W37	11K46
070	No Change	91W53	73W35	11K51	77W09	73W37	11K46
090	No Change	91W53	73W35	11K51	77W09	73W37	11K46
110	No Change	91W53	73W35	11K51	77W09	73W37	11K46

NOTE – Due to Lennox' ongoing commitment to quality, Specifications, Ratings and Dimensions subject to change without notice and without incurring liability. Improper installation, adjustment, alteration, service or maintenance can cause property damage or personal injury. Installation and service must be performed by a qualified installer and servicing agency.



PRODUCT CATALOG

GAS FURNACES ML296UHV MERIT® SERIES

Upflow/Horizontal - Two-Stage Heat - Variable Speed Blower
Direct/Non-Direct Vent
AFUE - 96% - Input - 44,000 to 110,000 Btuh

Page 45

April 2019

Supersedes February 2019

FEATURES

Heating System

Lennox Duralok Plus™ Aluminized Steel Heat Exchanger Assembly
Aluminized Steel Inshot Burners
Two-Stage Gas Control Valve with 100% Safety Shutoff
Flame Rollout Switches
Limit Controls
SureLight® Hot Surface Ignitor
Two-Speed Combustion Air Inducer

Direct Vent/Non-Direct Vent Sealed Combustion

Direct Vent - combustion air supplied from outdoors

Non-Direct Vent - combustion air supplied from indoors

Controls

SureLight® Integrated Two-Stage Furnace Control
24 Volt Transformer
Field Wiring Make-up Box

Variable-Speed Blower Motor

High efficiency, variable speed ECM (Electronically Commutated Motor)
Maintains specified air volumes up to a maximum of 1.0 in. w.g. (cooling) total external static.

Variable Speed Direct Drive Blower

Each blower assembly is statically and dynamically balanced.

Cabinet

Upflow, downflow, horizontal-left or horizontal-right applications without any internal modifications to the unit.
Pre-painted cabinet finish.

Fully insulated cabinet with foil-faced insulation on sides and back of heating compartment and mat-faced insulation in blower compartment.

Low Leakage Cabinet

Less than 2%.



Coil Match-up

All furnaces match Lennox cased upflow indoor coils and horizontal indoor coils with same letter designation (A, B, C, D) as in the furnace model number.

ACCESSORIES

See page 49

Cabinet

- Condensate Kits
- Condensate Drain Heat Cable
- Crawl Space Vent Drain Kit
- Horizontal Suspension Kit
- Return Air Base

Controls

- Thermostat

Filter Kits

- Air Filter and Rack Kits

Gas Heating

- Gas Conversion Kits
- High Altitude Orifice Kits
- High Altitude Pressure Switch Kits
- Termination Kits

Service Kits

- Night Service Kit

LIMITED WARRANTY

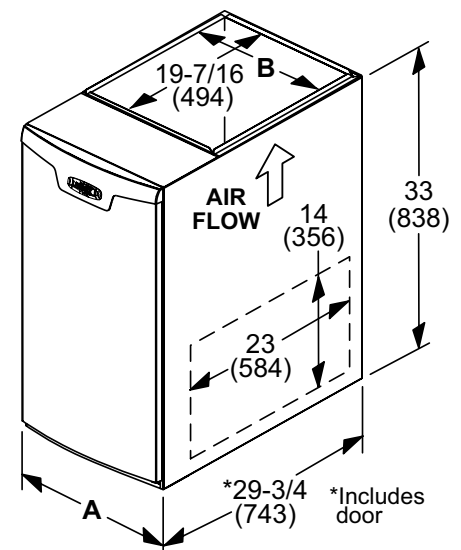
Heat Exchanger - Twenty-years.
All other covered components - five years.

Refer to Lennox Equipment Limited Warranty certificate included with equipment for details.

NOTE - Not for Twinning or Zoning!

Furnace Width		"B"	"C"
A Dimension		17-1/2 (446)	21 (533)
B Dimension		16-3/8 (416)	19-7/8 (454)
Bottom return	Width	16 (406)	19-1/2 (495)
	Depth	23-1/2 (597)	23-1/2 (597)

DIMENSIONS



NOTE - Due to Lennox' ongoing commitment to quality, Specifications, Ratings and Dimensions subject to change without notice and without incurring liability. Improper installation, adjustment, alteration, service or maintenance can cause property damage or personal injury. Installation and service must be performed by a qualified installer and servicing agency.

SPECIFICATIONS

Gas	Model No.	ML296UH045XV36B	ML296UH070XV36B
Heating	AHRI Reference No.	202575920	202575921
Performance	¹ AFUE	96%	96%
High Fire	Input - Btuh	44,000	66,000
	Output - Btuh	42,000	62,000
	Temperature rise range - °F	35 - 65	50 - 80
Gas Manifold Pressure (in. w.g.)	Nat. Gas / LPG/Propane	3.5 / 10.0	3.5 / 10.0
Low Fire	Input - Btuh	29,000	43,000
	Output - Btuh	28,000	41,000
	Temperature rise range - °F	20 - 50	25 - 55
Gas Manifold Pressure (in. w.g.)	Nat. Gas / LPG/Propane	1.7 / 4.9	1.7 / 4.9
High static - in. w.g.	Heating	0.8	0.8
	Cooling	1.0	1.0
Connections in.	Intake / Exhaust Pipe (PVC)	2 / 2	2 / 2
	Gas pipe size IPS	1/2	1/2
	Condensate Drain Trap (PVC pipe) - i.d.	3/4	3/4
	with furnished 90° street elbow with field supplied (PVC coupling) - o.d.	3/4 slip x 3/4 Mipt 3/4 slip x 3/4 MPT	3/4 slip x 3/4 Mipt 3/4 slip x 3/4 MPT
Indoor Blower	Wheel nominal diameter x width - in.	10 x 9	10 x 9
	Motor output - hp	1/2	1/2
	Tons of add-on cooling	2 - 3	2 - 3
	Air Volume Range - cfm	485 - 1370	500 - 1365
Electrical Data	Voltage	120 volts - 60 hertz - 1 phase	
	Blower motor full load amps	7.7	7.7
	Maximum overcurrent protection	15	15
Shipping Data	lbs. - 1 package	130	138

SPECIFICATIONS

Gas	Model No.	ML296UH090XV48C	ML296UH110XV60C
Heating	AHRI Reference No.	202575923	202735180
Performance	¹ AFUE	96%	96%
High Fire	Input - Btuh	88,000	110,000
	Output - Btuh	84,000	106,000
	Temperature rise range - °F	45 - 75	45 - 75
Gas Manifold Pressure (in. w.g.)	Nat. Gas / LPG/Propane	3.5 / 10.0	3.5 / 10.0
Low Fire	Input - Btuh	57,000	72,000
	Output - Btuh	55,000	70,000
	Temperature rise range - °F	30 - 60	35 - 65
Gas Manifold Pressure (in. w.g.)	Nat. Gas / LPG/Propane	1.7 / 4.9	1.7 / 4.9
High static - in. w.g.	Heating	0.8	0.8
	Cooling	1.0	1.0
Connections in.	Intake / Exhaust Pipe (PVC)	2 / 2	2 / 2
	Gas pipe size IPS	1/2	1/2
	Condensate Drain Trap (PVC pipe) - i.d.	3/4	3/4
	with furnished 90° street elbow with field supplied (PVC coupling) - o.d.	3/4 slip x 3/4 Mipt 3/4 slip x 3/4 MPT	3/4 slip x 3/4 Mipt 3/4 slip x 3/4 MPT
Indoor Blower	Wheel nominal diameter x width - in.	11 x 11	11 x 11
	Motor output - hp	3/4	1
	Tons of add-on cooling	2.5 - 4	3 - 5
	Air Volume Range - cfm	680 - 1770	790 - 1955
Electrical Data	Voltage	120 volts - 60 hertz - 1 phase	
	Blower motor full load amps	10.1	12.8
	Maximum overcurrent protection	15	20
Shipping Data	lbs. - 1 package	163	174

NOTE - Filters and provisions for mounting are not furnished and must be field provided.

¹ Annual Fuel Utilization Efficiency based on DOE test procedures and according to FTC labeling regulations. Isolated combustion system rating for non-weatherized furnaces.



NOTE - Due to Lennox' ongoing commitment to quality, Specifications, Ratings and Dimensions subject to change without notice and without incurring liability. Improper installation, adjustment, alteration, service or maintenance can cause property damage or personal injury. Installation and service must be performed by a qualified installer and servicing agency.



PRODUCT CATALOG

**GAS FURNACES
ML296DFV
MERIT® SERIES**

**Downflow - Two-Stage Heat - Variable Speed Blower
Direct/Non-Direct Vent
AFUE - 96% - Input - 44,000 to 88,000 Btuh**

Page 47

April 2019

Supersedes February 2019

FEATURES

Heating System

- Lennox Duralok Plus™ Aluminized Steel Heat Exchanger Assembly
- Aluminized Steel Inshot Burners
- Two-Stage Gas Control Valve with 100% Safety Shutoff
- Flame Rollout Switches
- Limit Controls
- SureLight® Hot Surface Ignitor
- Two-Speed Combustion Air Inducer

Direct Vent/Non-Direct Vent Sealed Combustion

- Direct Vent - combustion air supplied from outdoors
- Non-Direct Vent - combustion air supplied from indoors

Controls

- SureLight® Integrated Two-Stage Furnace Control
- 24 Volt Transformer
- Field Wiring Make-up Box

Variable-Speed Blower Motor

- High efficiency, variable speed ECM (Electronically Commutated Motor)
- Maintains specified air volumes up to a maximum of 1.0 in. w.g. (cooling) total external static.

Variable Speed Direct Drive Blower

- Each blower assembly is statically and dynamically balanced.

Cabinet

- Downflow applications.
- Pre-painted cabinet finish.

- Fully insulated cabinet with foil-faced insulation on sides and back of heating compartment and mat-faced insulation in blower compartment.

Low Leakage Cabinet

- Less than 2%.



Coil Match-up

All Lennox downflow indoor coils will physically match the furnace **supply air opening** with the same letter designation (A, B, C, D) as in the furnace model number.

LIMITED WARRANTY

Heat Exchanger - Twenty-years.
All other covered components - five years.

Refer to Lennox Equipment Limited Warranty certificate included with equipment for details.

NOTE - Not for Twinning or Zoning!

Furnace Width		"B"	"C"
A Dimension	Width	17-1/2 (446)	21 (533)
	Depth	16-3/8 (416)	19-7/8 (454)
Bottom supply	Width	16 (406)	19-1/2 (495)
	Depth	19-1/4 (489)	19-1/4 (489)

ACCESSORIES

See page 49

Cabinet

- Downflow Combustible Flooring Base
- Condensate Kits
- Condensate Drain Heat Cable
- Crawl Space Vent Drain Kit

Controls

- Thermostat

Filter Kits

- Downflow Filter Kits

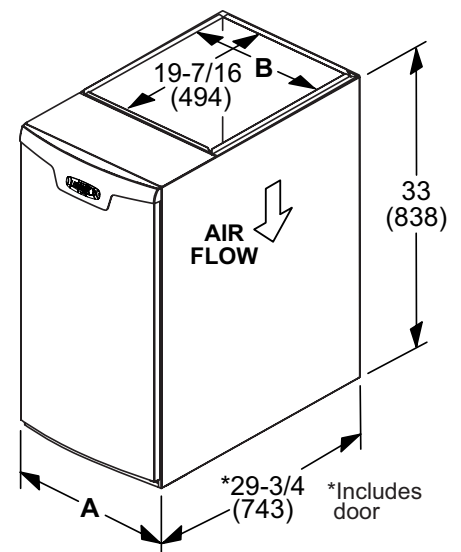
Gas Heating

- Gas Conversion Kits
- High Altitude Orifice Kits
- High Altitude Pressure Switch Kits
- Termination Kits

Service Kits

- Night Service Kit

DIMENSIONS



NOTE – Due to Lennox' ongoing commitment to quality, Specifications, Ratings and Dimensions subject to change without notice and without incurring liability. Improper installation, adjustment, alteration, service or maintenance can cause property damage or personal injury. Installation and service must be performed by a qualified installer and servicing agency.

SPECIFICATIONS				
Gas Heating Performance	Model No.	ML296DF045XV36B	ML296DF070XV48B	ML296DF090XV60C
	AHRI Reference No.	202575917	202575918	202575919
	¹ AFUE	96%	96%	96%
High Fire	Input - Btuh	44,000	66,000	88,000
	Output - Btuh	43,000	64,000	85,000
	Temperature rise range - °F	35-65	35-65	40-70
	Gas Manifold Pressure (in. w.g.) Nat. Gas / LPG/Propane	3.5 / 10.0	3.5 / 10.0	3.5 / 10.0
Low Fire	Input - Btuh	29,000	43,000	57,000
	Output - Btuh	28,000	42,000	56,000
	Temperature rise range - °F	20 - 50	25 - 55	30 - 60
	Gas Manifold Pressure (in. w.g.) Nat. Gas / LPG/Propane	1.7 / 4.9	1.7 / 4.9	1.7 / 4.9
High static - in. w.g.	Heating	0.8	0.8	0.8
	Cooling	1.0	1.0	1.0
Connections in.	Intake / Exhaust Pipe (PVC)	2 / 2	2 / 2	2 / 2
	Gas pipe size IPS	1/2	1/2	1/2
	Condensate Drain Trap (PVC pipe) - i.d.	3/4	3/4	3/4
	with furnished 90° street elbow with field supplied (PVC coupling) - o.d.	3/4 slip x 3/4 Mipt 3/4 slip x 3/4 MPT	3/4 slip x 3/4 Mipt 3/4 slip x 3/4 MPT	3/4 slip x 3/4 Mipt 3/4 slip x 3/4 MPT
Indoor Blower	Wheel nom. diameter x width - in.	10 x 9	11 x10	11 x 11
	Motor output - hp	1/2	3/4	1.0
	Tons of add-on cooling	3	4	5
	Air Volume Range - cfm	545 - 1360	575 - 1800	753 - 1982
Electrical Data	Voltage	120 volts - 60 hertz - 1 phase		
	Blower motor full load amps	7.7	10.1	12.8
	Maximum overcurrent protection	15	20	20
Shipping Data	lbs. - 1 package	131	138	166

NOTE - Filters and provisions for mounting are not furnished and must be field provided.

¹ Annual Fuel Utilization Efficiency based on DOE test procedures and according to FTC labeling regulations. Isolated combustion system rating for non-weatherized furnaces.



NOTE - Due to Lennox' ongoing commitment to quality, Specifications, Ratings and Dimensions subject to change without notice and without incurring liability. Improper installation, adjustment, alteration, service or maintenance can cause property damage or personal injury. Installation and service must be performed by a qualified installer and servicing agency.



OPTIONAL ACCESSORIES - ORDER SEPARATELY

NOTE - FURNACES CANNOT BE TWINNED!

			"B" Width Models	"C" Width Models
CABINET ACCESSORIES				
Downflow Combustible Flooring Base - Downflow only			11M60	11M61
Horizontal Suspension Kit - Horizontal only			51W10	51W10
Return Air Base - Upflow only			50W98	50W99
CONDENSATE DRAIN KITS				
Condensate Drain Heat Cable	6 ft.		26K68	26K68
	24 ft.		26K69	26K69
Crawl Space Vent Drain Kit	US		51W18	51W18
	Canada		15Z70	15Z70
CONTROLS				
iComfort® M30 Smart Wi-Fi Thermostat			15Z69	15Z69
Outdoor Temperature Sensor			X2658	X2658
DOWNFLOW FILTER KITS				
Downflow Filter Cabinet			51W07	51W08
¹ No. and size of filter - in.			(2) 16 x 20 x 1	(2) 16 x 20 x 1
UPFLOW/HORIZONTAL FILTER KITS				
¹ Air Filter and Rack Kit	Horizontal (end)	Size of filter - in.	87L96 - 18 x 25 x 1	87L97 - 20 x 25 x 1
	Side Return	Single	44J22	44J22
		Ten Pack	66K63	66K63
		Size of filter - in.	16 x 25 x 1	16 x 25 x 1
TERMINATION KITS				
See Installation Instructions for specific venting information.				
Termination Kits - Direct Vent Applications Only	Concentric	US - 2 in.	71M80	69M29
		3 in.	---	60L46
		Canada - 2 in.	44W92	44W92
		3 in.	---	44W93
	Flush-Mount	US - 2, 2-1/2 or 3 in.	51W11	51W11
		Canada - 2, 2-1/2 or 3 in.	51W12	51W12
	Wall - Close Couple	US - 2 in.	22G44	---
		3 in.	44J40	44J40
	Wall - Close Couple WTK	Canada - 2 in.	30G28	---
		3 in.	81J20	81J20
Termination Kits - Direct or Non-Direct vent	Roof	2 in.	15F75	15F75
	Wall Ring Kit	2 in.	15F74	³ 15F74
² Roof Termination Flashing Kit - Direct or Non-Direct Vent (2 flashings)			3 in.	44J41
VENTING				
Flue Coupling			2 in.	17H92

¹ Cleanable polyurethane, frame-type filter.

² Kits contain enough parts for two, non-direct vent installations.

³ Non-direct vent only.

NOTE - Termination Kits (44W92, 44W93, 30G28, 51W12, 51W19, 81J20) and Crawl Space Vent Drain Kit (15Z70) are certified to ULC S636 standard for use in Canada only.

GAS HEAT ACCESSORIES

Input	High Altitude Pressure Switch Kit		Natural Gas to LPG/Propane Kit	LPG/Propane to Natural Gas Kit	Natural Gas High Altitude Orifice Kit	LPG/Propane High Altitude Orifice Kit	Muffler (US Only)
	4501 - 7500 ft.	7501 - 10,000 ft.	0 - 7500 ft.	0 - 7500 ft.	7501 - 10,000 ft.	7501 - 10,000 ft.	
045	14A47	14A50	11K51	77W09	73W37	11K46	15Y66 (2-inch)
070	14A54 (upflow)	14A53 (upflow)	11K51	77W09	73W37	11K46	15Y66 (2-inch)
	14A55 (downflow)	14A56 (downflow)					
090	14A57 (upflow)	14A54	11K51	77W09	73W37	11K46	15Y66 (2-inch)
	14A54 (downflow)						
110	14A46	14A51	11K51	77W09	73W37	11K46	¹ 15Y66 (2-inch) 16A56 (3-inch)

¹ Two-inch diameter muffler (15Y66) is optional for 110 input model with a maximum vent pipe length of up to 29 ft.
Three-inch diameter muffler (16A56) is optional for 110 input model with a minimum vent pipe length of 30 ft.



NOTE – Due to Lennox' ongoing commitment to quality, Specifications, Ratings and Dimensions subject to change without notice and without incurring liability. Improper installation, adjustment, alteration, service or maintenance can cause property damage or personal injury. Installation and service must be performed by a qualified installer and servicing agency.



PRODUCT CATALOG

**GAS FURNACES
ML195UH
MERIT® SERIES**

Upflow/Horizontal - Direct/Non-Direct Vent
AFUE - 95%
Input - 44,000 to 132,000 Btuh

Page 51
April 2019
Supersedes February 2019

FEATURES

Heating System

- Lennox Designed Aluminized Steel Heat Exchanger Assembly
- Aluminized Steel Inshot Burners
- Gas Control Valve with 100% Safety Shutoff
- Flame Rollout Switch
- SureLight® Hot Surface Ignitor
- Combustion Air Inducer
- Limit Control

Direct Vent/Non-Direct Vent Sealed Combustion

- Direct Vent - combustion air supplied from outdoors
- Non-Direct Vent - combustion air supplied from indoors

Controls

- SureLight® Integrated Furnace Control
- Built-in Twinning Capability
- 24 Volt Transformer
- Field Wiring Make-up Box

Blower

- Multi-Speed, Direct Drive Blower

Cabinet

- Upflow/Horizontal applications
- Pre-painted cabinet finish.
- Foil-faced insulation on sides and back of heating compartment.

Low Leakage Cabinet

- Less than 2%.

Coil Match-up

All furnaces match Lennox cased upflow indoor coils and horizontal indoor coils with same letter designation (A, B, C, D) as in the furnace model number.



ACCESSORIES

See page 55

Cabinet

- Condensate Kits
- Condensate Drain Heat Cable
- Crawl Space Vent Drain Kit
- Horizontal Suspension Kit
- Return Air Base

Controls

- Thermostat

Filter Kits

- Air Filter and Rack Kits

Gas Heating

- Gas Conversion Kits
- High Altitude Pressure Switch Kits
- High Altitude Orifice Kits
- Termination Kits

Service Kits

- Night Service Kit

LIMITED WARRANTY

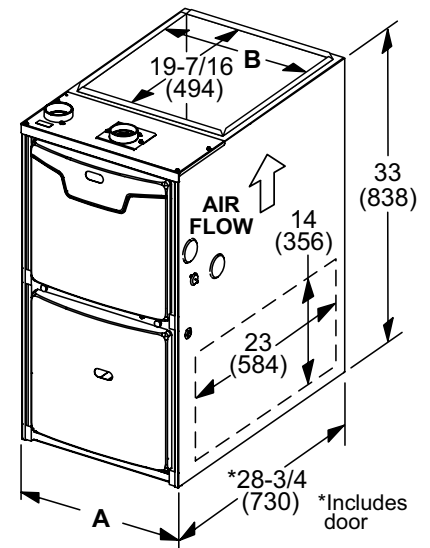
Heat Exchanger - Twenty-years.
All other covered components - five years.

Refer to Lennox Equipment Limited Warranty certificate included with equipment for details.

NOTE - Not for Twinning!

Furnace Width	"B"	"C"	"D"
A Dimension	17-1/2 (446)	21 (533)	24-1/2 (622)
B Dimension	16-3/8 (416)	19-7/8 (454)	23-3/8 (546)
Bottom return	Width	16 (406)	23 (584)
	Depth	23-1/2 (597)	23-1/2 (597)

DIMENSIONS



NOTE - Due to Lennox' ongoing commitment to quality, Specifications, Ratings and Dimensions subject to change without notice and without incurring liability. Improper installation, adjustment, alteration, service or maintenance can cause property damage or personal injury. Installation and service must be performed by a qualified installer and servicing agency.

SPECIFICATIONS					
Gas Heating Performance	Model No.	ML195UH 045XP24B	ML195UH 045XP36B	ML195UH 070XP36B	ML195UH 090XP36C
	¹ AFUE	95%	95%	95%	95%
	Input - Btuh	44,000	44,000	66,000	88,000
	Output - Btuh	41,000	42,000	64,000	85,000
	Temperature rise range - °F	35 - 65	25 - 55	40 - 70	40 - 70
	Gas Manifold Pressure (in. w.g.) Nat. Gas / LPG/Propane	3.5 / 10.0	3.5 / 10.0	3.5 / 10.0	3.5 / 10.0
	High static - in. w.g.	0.5	0.5	0.5	0.5
Connections in.	Intake / Exhaust Pipe (PVC)	2 / 2	2 / 2	2 / 2	2 / 2
	Gas pipe size IPS	1/2	1/2	1/2	1/2
	Condensate Drain Trap (PVC pipe) - i.d.	3/4	3/4	3/4	3/4
	with furnished 90° street elbow with field supplied (PVC coupling) - o.d.	3/4 slip x 3/4 Mipt 3/4 slip x 3/4 MPT	3/4 slip x 3/4 Mipt 3/4 slip x 3/4 MPT	3/4 slip x 3/4 Mipt 3/4 slip x 3/4 MPT	3/4 slip x 3/4 Mipt 3/4 slip x 3/4 MPT
Indoor Blower	Wheel nom. dia. x width - in.	10 x 8	10 x 8	10 x 8	10 x 8
	Motor output - hp	1/5	1/3	1/3	1/3
	Tons of add-on cooling	1.5 - 2	2 - 3	2.5 - 3	2 - 3
	Air Volume Range - cfm	390 - 1140	700 - 1605	650 - 1585	655 - 1630
Electrical Data	Voltage	120 volts - 60 hertz - 1 phase			
	Blower motor full load amps	3.1	6.1	6.1	6.1
	Maximum overcurrent protection	15	15	15	15
Shipping Data	lbs. - 1 package	119	121	127	142

NOTE - Filters and provisions for mounting are not furnished and must be field provided.

¹ Annual Fuel Utilization Efficiency based on DOE test procedures and according to FTC labeling regulations. Isolated combustion system rating for non-weatherized furnaces.

SPECIFICATIONS						
Gas Heating Performance	Model No.	ML195UH 090XP48C	ML195UH 090XP60C	ML195UH 110XP48C	ML195UH 110XP60C	ML195UH 135XP60D
	¹ AFUE	95%	95%	95%	95%	95%
	Input - Btuh	88,000	88,000	110,000	110,000	132,000
	Output - Btuh	85,000	85,000	105,000	106,000	126,000
	Temperature rise range - °F	40 - 70	30 - 60	40 - 70	40 - 70	45 - 75
	Gas Manifold Pressure (in. w.g.) Nat. Gas / LPG/Propane	3.5 / 10.0	3.5 / 10.0	3.5 / 10.0	3.5 / 10.0	3.5 / 10.0
	High static - in. w.g.	0.5	0.5	0.5	0.5	0.5
Connections in.	Intake / Exhaust Pipe (PVC)	2 / 2	2 / 2	2 / 2	2 / 2	2 / 2
	Gas pipe size IPS	1/2	1/2	1/2	1/2	1/2
	Condensate Drain Trap (PVC pipe) - i.d.	3/4	3/4	3/4	1/2	1/2
	with furnished 90° street elbow (slip x Mipt) with field supplied (PVC coupling) - o.d.	3/4 slip x 3/4 Mipt 3/4 slip x 3/4 MPT	3/4 slip x 3/4 Mipt 3/4 slip x 3/4 MPT	3/4 slip x 3/4 Mipt 3/4 slip x 3/4 MPT	3/4 slip x 3/4 Mipt 3/4 slip x 3/4 MPT	3/4 slip x 3/4 Mipt 3/4 slip x 3/4 MPT
Indoor Blower	Wheel nom. dia. x width - in.	10 x 10	11-1/2 x 10	10 x 10	11-1/2 x 10	11-1/2 x 10
	Motor output - hp	1/2	1	1/2	1	1
	Tons of add-on cooling	3 - 4	4 - 5	3 - 4	4 - 5	4 - 5
	Air Volume Range - cfm	900 - 2140	1290 - 2445	715 - 2000	1235 - 2485	1135 - 2595
Electrical Data	Voltage	120 volts - 60 hertz - 1 phase				
	Blower motor full load amps	8.2	11.5	8.2	11.5	11.5
	Maximum overcurrent protection	15	15	15	15	15
Shipping Data	lbs. - 1 package	147	152	159	164	177

NOTE - Filters and provisions for mounting are not furnished and must be field provided.

¹ Annual Fuel Utilization Efficiency based on DOE test procedures and according to FTC labeling regulations. Isolated combustion system rating for non-weatherized furnaces.



NOTE - Due to Lennox' ongoing commitment to quality, Specifications, Ratings and Dimensions subject to change without notice and without incurring liability. Improper installation, adjustment, alteration, service or maintenance can cause property damage or personal injury. Installation and service must be performed by a qualified installer and servicing agency.



PRODUCT CATALOG

**GAS FURNACES
ML195DF
MERIT® SERIES**

**Downflow - Direct/Non-Direct Vent
AFUE - 95%
Input - 44,000 to 110,000 Btuh**

Page 53
April 2019
Supersedes February 2019

FEATURES

Heating System

- Lennox Designed Aluminized Steel Heat Exchanger Assembly
- Aluminized Steel Inshot Burners
- Gas Control Valve with 100% Safety Shutoff
- Flame Rollout Switch
- SureLight® Hot Surface Ignitor
- Combustion Air Inducer
- Limit Control

Direct Vent/Non-Direct Vent Sealed Combustion

- Direct Vent - combustion air supplied from outdoors
- Non-Direct Vent - combustion air supplied from indoors

Controls

- SureLight® Integrated Furnace Control
- Built-in Twinning Capability
- 24 Volt Transformer
- Field Wiring Make-up Box

Blower

- Multi-Speed, Direct Drive Blower

Cabinet

- Downflow applications
- Pre-painted cabinet finish.
- Foil-faced insulation on sides and back of heating compartment.

Low Leakage Cabinet

- Less than 2%.

Coil Match-up

All Lennox downflow indoor coils will physically match the furnace **supply air opening** with the same letter designation (A, B, C, D) as in the furnace model number.



ACCESSORIES

See page 55

Cabinet

- Condensate Kits
- Condensate Drain Heat Cable
- Crawl Space Vent Drain Kit
- Downflow Combustible Flooring Base

Controls

- Thermostat

Filter Kits

- Downflow Filter Kits

Gas Heating

- Gas Conversion Kits
- High Altitude Pressure Switch Kits
- High Altitude Orifice Kits
- Termination Kits

Service Kits

- Night Service Kit

LIMITED WARRANTY

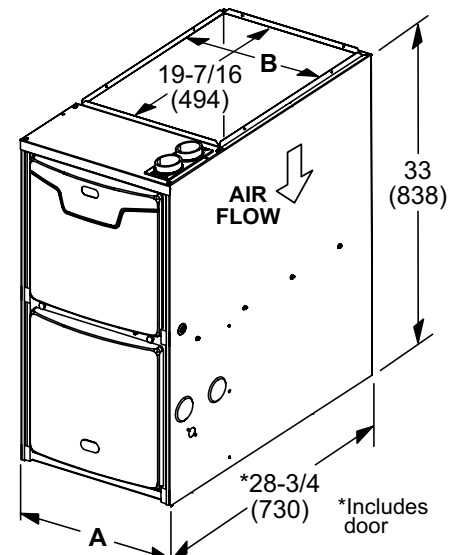
Heat Exchanger - Twenty-years.
All other covered components - five years.

Refer to Lennox Equipment Limited Warranty certificate included with equipment for details.

NOTE - Not for Twinning!

Furnace Width		"B"	"C"
A Dimension		17-1/2 (446)	21 (533)
B Dimension		16-3/8 (416)	19-7/8 (454)
Bottom supply	Width	16 (406)	19-1/2 (495)
	Depth	19-1/4 (489)	19-1/4 (489)

DIMENSIONS



NOTE - Due to Lennox' ongoing commitment to quality, Specifications, Ratings and Dimensions subject to change without notice and without incurring liability. Improper installation, adjustment, alteration, service or maintenance can cause property damage or personal injury. Installation and service must be performed by a qualified installer and servicing agency.

SPECIFICATIONS

Gas Heating Performance		Model No.	ML195DF045XP36B	ML195DF070XP36B	ML195DF090XP60C	ML195DF110XP60C
		¹ AFUE	95%	95%	95%	95%
		Input - Btuh	44,000	66,000	88,000	110,000
		Output - Btuh	43,000	64,000	86,000	106,000
		Temperature rise range - °F	25 - 55	35 - 65	30 - 60	40 - 70
		Gas Manifold Pressure (in. w.g.) Nat. Gas / LPG/Propane	3.5 / 10.0	3.5 / 10.0	3.5 / 10.0	3.5 / 10.0
		High static - in. w.g.	0.50	0.50	0.50	0.50
Connections in.	Intake / Exhaust Pipe (PVC)		2 / 2	2 / 2	2 / 2	2 / 2
	Gas pipe size IPS		1/2	1/2	1/2	1/2
	Condensate Drain Trap (PVC pipe) - i.d.		3/4	3/4	3/4	3/4
	with furnished 90° street elbow		3/4 slip x 3/4 Mipt	3/4 slip x 3/4 Mipt	3/4 slip x 3/4 Mipt	3/4 slip x 3/4 Mipt
	with field supplied (PVC coupling) - o.d.		3/4 slip x 3/4 MPT	3/4 slip x 3/4 MPT	3/4 slip x 3/4 MPT	3/4 slip x 3/4 MPT
Indoor Blower	Wheel nom. dia. x width - in.		10 x 8	10 x 8	11 ½ x 10	11 ½ x 10
	Motor output - hp		1/3	1/3	1	1
	Tons of add-on cooling		2.5 - 3	2.5 - 3	4 - 5	4 - 5
	Air Volume Range - cfm		605 - 1615	560 - 1505	1270 - 2305	1210 - 2410
Electrical Data	Voltage	120 volts - 60 hertz - 1 phase				
	Blower motor full load amps		6.1	6.1	11.5	11.5
	Maximum overcurrent protection		15	15	15	15
Shipping Data	lbs. - 1 package		121	127	152	164

NOTE - Filters and provisions for mounting are not furnished and must be field provided.

¹ Annual Fuel Utilization Efficiency based on DOE test procedures and according to FTC labeling regulations. Isolated combustion system rating for non-weatherized furnaces.



NOTE - Due to Lennox' ongoing commitment to quality, Specifications, Ratings and Dimensions subject to change without notice and without incurring liability. Improper installation, adjustment, alteration, service or maintenance can cause property damage or personal injury. Installation and service must be performed by a qualified installer and servicing agency.



ML195UH, ML195DF - OPTIONAL ACCESSORIES

PRODUCT CATALOG

Page 55
April 2019
Supersedes February 2019

OPTIONAL ACCESSORIES - ORDER SEPARATELY

		"B" Width	"C" Width	"D" Width	
CABINET ACCESSORIES					
Downflow Combustible Flooring Base - Downflow only		11M60	11M61	11M62	
Horizontal Suspension Kit - Horizontal only		51W10	51W10	51W10	
Return Air Base - Upflow only		50W98	50W99	51W00	
CONDENSATE DRAIN KITS					
Condensate Drain Heat Cable	6 ft.	26K68	26K68	26K68	
	24 ft.	26K69	26K69	26K69	
Crawl Space Vent Drain Kit	U.S.	51W18	51W18	51W18	
	Canada	15Z70	15Z70	15Z70	
DOWNFLOW FILTER KITS					
Downflow Filter Cabinet		51W07	51W08	---	
	¹ No. and size of filter - in.	(2) 16 x 20 x 1	(2) 16 x 20 x 1	---	
UPFLOW/HORIZONTAL FILTER KITS					
¹ Air Filter and Rack Kit	Horizontal (end)	Size of filter - in.	87L96 - 18 x 25 x 1	87L97 - 20 x 25 x 1	87L98 - 25 x 25 x 1
		Single	44J22	44J22	44J22
	Side Return	Ten Pack	66K63	66K63	66K63
		Size of filter - in.	16 x 25 x 1	16 x 25 x 1	16 x 25 x 1
SERVICE KIT					
Night Service Kit		68W80	68W80	68W80	
TERMINATION KITS					
See Installation Instructions for specific venting information.					
Termination Kits - Direct Vent Applications Only	Concentric	U.S. - 2 in.	71M80	69M29	---
		3 in.	---	60L46	60L46
	Canada - 2 in.	3 in.	44W92	44W92	---
		3 in.	---	44W93	44W93
	Flush-Mount	U.S. - 2, 2-1/2 or 3 in.	51W11	51W11	51W11
		Canada - 2, 2-1/2 or 3 in.	51W12	51W12	51W12
	Wall - Close	2 in.	22G44	---	---
	Couple	3 in.	44J40	44J40	44J40
	Close Couple WTK	2 in.	30G28	---	---
		3 in.	81J20	81J20	81J20
Termination Kits - Direct or Non-Direct vent	Roof	2 in.	15F75	15F75	---
	Wall - Wall Ring Kit	2 in.	15F74	³ 15F74	---
² Roof Termination Flashing Kit (2 flashings)		3 in.	44J41	44J41	44J41
VENTING					
Flue Coupling		2 in.	17H92	17H92	17H92

¹ Cleanable polyurethane frame type filter.

² Kits contain enough parts for two, non-direct vent installations.

³ Non-direct vent only.

NOTE - Termination Kits (44W92, 44W93, 30G28, 51W12, 81J20) and Crawl Space Vent Drain Kit (15Z70) are certified to ULC S636 standard for use in Canada only.

GAS HEAT ACCESSORIES

Input	High Altitude Pressure Switch Kit		Natural Gas to LPG/Propane Kit	LPG/Propane to Natural Gas Kit	Natural Gas High Altitude Orifice Kit	LPG/Propane High Altitude Orifice Kit	¹ 36K Derate Kit (Natural Gas)	Muffler (US Only)
	4501 - 7500 ft.	7501 - 10,000 ft.	0 - 7500 ft.	0 - 7500 ft.	7501 - 10,000 ft.	7501 - 10,000 ft.	0 - 10,000 ft.	
045	No Change	11U65	11K49	73W81	73W37	11K44	10K55	15Y66 (2-inch)
070	11U71	11U64	11K49	73W81	73W37	11K44	---	15Y66 (2-inch)
090	11U70	11U64	11K49	73W81	73W37	11K44	---	15Y66 (2-inch)
110	11U71	11U64	11K49	73W81	73W37	11K44	---	² 15Y66 (2-inch) 16A56 (3-inch)
135	11U70	11U64	11K49	73W81	73W37	11K44	---	16A56 (3-inch)

¹ NOTE - 36K Derate Kit information - Reduced Input is 36,000 Btuh, output is 34,200 Btuh.

² Two-inch diameter muffler (15Y66) is optional for 110 input model with a maximum vent pipe length of up to 29 ft.

Three-inch diameter muffler (16A56) is optional for 110 input model with a minimum vent pipe length of 30 ft.

NOTE - Due to Lennox' ongoing commitment to quality, Specifications, Ratings and Dimensions subject to change without notice and without incurring liability. Improper installation, adjustment, alteration, service or maintenance can cause property damage or personal injury. Installation and service must be performed by a qualified installer and servicing agency.



PRODUCT CATALOG

**GAS FURNACES
ML193UHE
MERIT® SERIES**

**Upflow/Horizontal - Direct/Non-Direct Vent
High Efficiency Blower Motor - AFUE - 93%
Input - 30,000 to 110,000 Btuh**

Page 57

April 2019

Supersedes February 2019

FEATURES

Heating System

- Lennox Duralok Plus™ Aluminized Steel Heat Exchanger Assembly
- Aluminized Steel Inshot Burners
- Gas Control Valve with 100% Safety Shutoff
- Flame Rollout Switch
- SureLight® Hot Surface Ignitor
- Combustion Air Inducer
- Limit Control

Direct Vent/Non-Direct Vent Sealed Combustion

- Direct Vent - combustion air supplied from outdoors
- Non-Direct Vent - combustion air supplied from indoors

Controls

- SureLight® Integrated Furnace Control
- Built-in Twinning Capability
- 24 Volt Transformer
- Field Wiring Make-up Box

Power Saver™ Constant Torque Blower Motor

- High efficiency, multi-speed ECM (Electronically Commutated Motor)

Cabinet

- Upflow/Horizontal applications
- Pre-painted cabinet finish.
- Foil-faced insulation on sides and back of heating compartment.

Low Leakage Cabinet

- Less than 2%.

Coil Match-up

- All furnaces match Lennox cased upflow indoor coils and horizontal indoor coils with same letter designation (A, B, C, D) as in the furnace model number.



ACCESSORIES

See page 61

Cabinet

- Condensate Kits
- Condensate Drain Heat Cable
- Crawl Space Vent Drain Kit
- Horizontal Suspension Kit
- Return Air Base

Controls

- Blower Relay Kit
- Thermostat
- Twinning Kit

Filter Kits

- Air Filter and Rack Kits

Gas Heating

- Gas Conversion Kits
- High Altitude Pressure Switch Kits
- High Altitude Orifice Kits
- Termination Kits

Service Kits

- Night Service Kit

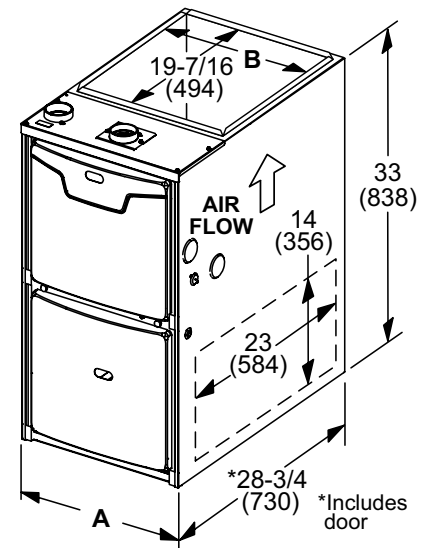
LIMITED WARRANTY

Heat Exchanger - Twenty-years.
All other covered components - five years.

Refer to Lennox Equipment Limited Warranty certificate included with equipment for details.

DIMENSIONS

Furnace Width	"B"	"C"
A Dimension	17-1/2 (446)	21 (533)
B Dimension	16-3/8 (416)	19-7/8 (454)
Bottom return	Width	16 (406)
	Depth	19-1/2 (495)
		23-1/2 (597)



NOTE - Due to Lennox' ongoing commitment to quality, Specifications, Ratings and Dimensions subject to change without notice and without incurring liability. Improper installation, adjustment, alteration, service or maintenance can cause property damage or personal injury. Installation and service must be performed by a qualified installer and servicing agency.

SPECIFICATIONS

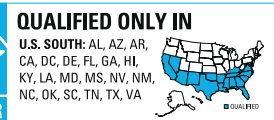
Gas	Model No.	ML193UH030XE36B	ML193UH045XE36B	ML193UH070XE36B	ML193UH090XE36C
Heating	AHRI Reference No.	20256877	20256878	20256879	20256880
Performance	¹ AFUE	93%	93%	93%	93%
	Input - Btuh	30,000	44,000	66,000	88,000
	Output - Btuh	29,000	42,000	63,000	84,000
	Temperature rise range - °F	25 - 55	30 - 60	40 - 70	50 - 80
	Gas Manifold Pressure (in. w.g.)	3.5 / 10	3.5 / 10.0	3.5 / 10.0	3.5 / 10
	Nat. Gas / LPG/Propane				
	High static - in. w.g.	0.5	0.5	0.5	0.5
Connections	Intake / Exhaust Pipe (PVC)	2 / 2	2 / 2	2 / 2	2 / 2
in.	Gas pipe size IPS	1/2	1/2	1/2	1/2
	Condensate Drain Trap (PVC pipe) - i.d.	3/4	3/4	3/4	3/4
	with furnished 90° street elbow	3/4 slip x 3/4 Mipt	3/4 slip x 3/4 Mipt	3/4 slip x 3/4 Mipt	3/4 slip x 3/4 Mipt
	with field supplied (PVC coupling) - o.d.	3/4 slip x 3/4 MPT	3/4 slip x 3/4 MPT	3/4 slip x 3/4 MPT	3/4 slip x 3/4 MPT
Indoor Blower	Wheel nom. dia. x width - in.	10 x 8	10 x 8	10 x 8	10 x 8
	Motor Type	DC Brushless	DC Brushless	DC Brushless	DC Brushless
	Motor output - hp	1/2	1/2	1/2	1/2
	Tons of add-on cooling	1.5 - 3	1.5 - 3	1.5 - 3	1.5 - 3
	Air Volume Range - cfm	175 - 1435	355 - 1420	355 - 1430	405 - 1410
Electrical	Voltage	120 volts - 60 hertz - 1 phase			
Data	Blower motor full load amps	6.8	6.8	6.8	6.8
	Maximum overcurrent protection	15	15	15	15
Shipping Data	lbs. - 1 package	128	128	132	146

SPECIFICATIONS

Gas	Model No.	ML193UH090XE48C	ML193UH110XE48C	ML193UH110XE60C
Heating	AHRI Reference No.	20256881	20256882	20256883
Performance	¹ AFUE	93%	93%	93%
	Input - Btuh	88,000	110,000	110,000
	Output - Btuh	84,000	104,000	105,000
	Temperature rise range - °F	45 - 75	50 - 80	45 - 75
	Gas Manifold Pressure (in. w.g.)	3.5 / 10.0	3.5 / 10	3.5 / 10
	Nat. Gas / LPG/Propane			
	High static - in. w.g.	0.5	0.5	0.5
Connections	Intake / Exhaust Pipe (PVC)	2 / 2	2 / 2	2 / 2
in.	Gas pipe size IPS	1/2	1/2	1/2
	Condensate Drain Trap (PVC pipe) - i.d.	3/4	3/4	3/4
	with furnished 90° street elbow	3/4 slip x 3/4 Mipt	3/4 slip x 3/4 Mipt	3/4 slip x 3/4 Mipt
	with field supplied (PVC coupling) - o.d.	3/4 slip x 3/4 MPT	3/4 slip x 3/4 MPT	3/4 slip x 3/4 MPT
Indoor Blower	Wheel nom. dia. x width - in.	10 x 10	10 x 10	11-1/2 x 10
	Motor Type	DC Brushless	DC Brushless	DC Brushless
	Motor output - hp	3/4	3/4	1
	Tons of add-on cooling	2.5 - 4	2.5 - 4	3 - 5
	Air Volume Range - cfm	830 - 1710	850 - 1750	1085 - 2150
Electrical	Voltage	120 volts - 60 hertz - 1 phase		
Data	Blower motor full load amps	8.4	8.4	10.9
	Maximum overcurrent protection	15	15	15
Shipping Data	lbs. - 1 package	150	162	168

NOTE - Filters and provisions for mounting are not furnished and must be field provided.

¹ Annual Fuel Utilization Efficiency based on DOE test procedures and according to FTC labeling regulations. Isolated combustion system rating for non-weatherized furnaces.



NOTE - Due to Lennox' ongoing commitment to quality, Specifications, Ratings and Dimensions subject to change without notice and without incurring liability. Improper installation, adjustment, alteration, service or maintenance can cause property damage or personal injury. Installation and service must be performed by a qualified installer and servicing agency.



PRODUCT CATALOG

GAS FURNACES ML193DFE MERIT® SERIES

Downflow - Direct/Non-Direct Vent
High Efficiency Blower Motor - AFUE - 93%
Input - 44,000 to 88,000 Btuh

Page 59

April 2019

Supersedes February 2019

FEATURES

Heating System

- Lennox Duralok Plus™ Aluminized Steel Heat Exchanger Assembly
- Aluminized Steel Inshot Burners
- Gas Control Valve with 100% Safety Shutoff
- Flame Rollout Switch
- SureLight® Hot Surface Ignitor
- Combustion Air Inducer
- Limit Control

Direct Vent/Non-Direct Vent Sealed Combustion

- Direct Vent - combustion air supplied from outdoors
- Non-Direct Vent - combustion air supplied from indoors

Controls

- SureLight® Integrated Furnace Control
- Built-in Twinning Capability
- 24 Volt Transformer
- Field Wiring Make-up Box

Power Saver™ Constant Torque Blower Motor

- High efficiency, multi-speed ECM (Electronically Commutated Motor)

Cabinet

- Downflow applications
- Pre-painted cabinet finish.
- Foil-faced insulation on sides and back of heating compartment.

Low Leakage Cabinet

- Less than 2%.

Coil Match-up

All Lennox downflow indoor coils will physically match the furnace **supply air opening** with the same letter designation (A, B, C, D) as in the furnace model number.



LIMITED WARRANTY

Heat Exchanger - Twenty-years.
All other covered components - five years.

Refer to Lennox Equipment Limited Warranty certificate included with equipment for details.

Furnace Width		"B"	"C"
A Dimension		17-1/2 (446)	21 (533)
B Dimension		16-3/8 (416)	19-7/8 (454)
Bottom supply	Width	16 (406)	19-1/2 (495)
	Depth	19-1/4 (489)	19-1/4 (489)

ACCESSORIES

See page 61

Cabinet

- Condensate Kits
- Condensate Drain Heat Cable
- Crawl Space Vent Drain Kit
- Downflow Combustible Flooring Base

Controls

- Blower Relay Kit
- Thermostat
- Twinning Kit

Filter Kits

- Downflow Filter Kits

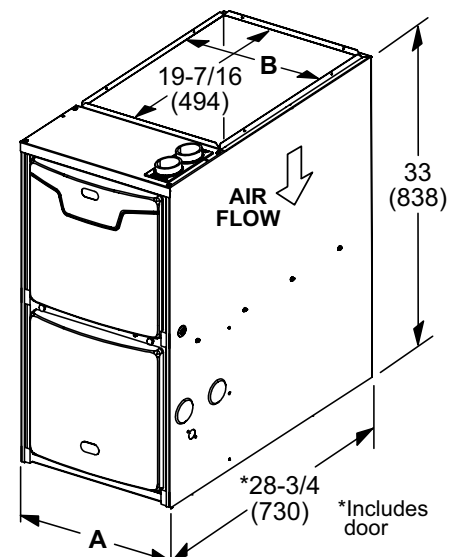
Gas Heating

- Gas Conversion Kits
- High Altitude Pressure Switch Kits
- High Altitude Orifice Kits
- Termination Kits

Service Kits

- Night Service Kit

DIMENSIONS



NOTE - Due to Lennox' ongoing commitment to quality, Specifications, Ratings and Dimensions subject to change without notice and without incurring liability. Improper installation, adjustment, alteration, service or maintenance can cause property damage or personal injury. Installation and service must be performed by a qualified installer and servicing agency.

SPECIFICATIONS

		Model No.	ML193DF045XE36B	ML193DF070XE36B	ML193DF090XE48C
Gas Heating Performance	AHRI Reference No.		20556884	20556885	20556886
	¹ AFUE		93%	93%	93%
	Input - Btuh		44,000	66,000	88,000
	Output - Btuh		42,000	63,000	84,000
	Temperature rise range - °F		30 - 60	40 - 70	45 - 75
	Gas Manifold Pressure (in. w.g.) Nat. Gas / LPG/Propane		3.5 / 10.0	3.5 / 10.0	3.5 / 10.0
	High static - in. w.g.		0.50	0.50	0.50
	Connections in.	Intake / Exhaust Pipe (PVC)		2 / 2	2 / 2
Gas pipe size IPS			1/2	1/2	1/2
Condensate Drain Trap (PVC pipe) - i.d.			3/4	3/4	3/4
with furnished 90° street elbow			3/4 slip x 3/4 Mipt	3/4 slip x 3/4 Mipt	3/4 slip x 3/4 Mipt
with field supplied (PVC coupling) - o.d.			3/4 slip x 3/4 MPT	3/4 slip x 3/4 MPT	3/4 slip x 3/4 MPT
Indoor Blower	Wheel nom. dia. x width - in.		10 x 8	10 x 8	10 x 10
	Motor output - hp		1/2	1/2	3/4
	Tons of add-on cooling		1.5 - 3	1.5 - 3	2.5 - 4
	Air Volume Range - cfm		335 - 1430	340 - 1415	825 - 1720
Electrical Data	Voltage	120 volts - 60 hertz - 1 phase			
	Blower motor full load amps		6.8	6.8	8.4
	Maximum overcurrent protection		15	15	15
Shipping Data	lbs. - 1 package		130	134	152

NOTE - Filters and provisions for mounting are not furnished and must be field provided.

¹ Annual Fuel Utilization Efficiency based on DOE test procedures and according to FTC labeling regulations. Isolated combustion system rating for non-weatherized furnaces.



NOTE - Due to Lennox' ongoing commitment to quality, Specifications, Ratings and Dimensions subject to change without notice and without incurring liability. Improper installation, adjustment, alteration, service or maintenance can cause property damage or personal injury. Installation and service must be performed by a qualified installer and servicing agency.



OPTIONAL ACCESSORIES - ORDER SEPARATELY

			"B" Width Models	"C" Width Models
CABINET ACCESSORIES				
Downflow Combustible Flooring Base			11M60	11M61
Horizontal Suspension Kit - Horizontal only			51W10	51W10
Return Air Base - Upflow only			50W98	50W99
High Performance Economizer (Commercial Only)			10U53	10U53
CONDENSATE DRAIN KITS				
Condensate Drain Heat Cable	6 ft.		26K68	26K68
	24 ft.		26K69	26K69
Crawl Space Vent Drain Kit	US		51W18	51W18
	Canada		15Z70	15Z70
CONTROLS				
Blower Relay Kit (for two-stage outdoor units)			85W66	85W66
iComfort® M30 Smart Wi-Fi Thermostat			15Z69	15Z69
Outdoor Temperature Sensor			X2658	X2658
Twinning Kit			16W72	16W72
DOWNFLOW FILTER KITS				
Downflow Filter Cabinet			51W07	51W08
1 No. and Size of filter - in.			(2) 16 x 20 x 1	(2) 16 x 20 x 1
UPFLOW/HORIZONTAL FILTER KITS				
1 Air Filter and Rack Kit	Horizontal (end)	Size of filter - in.	87L96 - 18 x 25 x 1	87L97 - 20 x 25 x 1
		Single	44J22	44J22
	Side Return	Ten Pack	66K63	66K63
		Size of filter - in.	16 x 25 x 1	16 x 25 x 1
NIGHT SERVICE KIT				
Night Service Kit			84W48	84W48
TERMINATION KITS				
See Installation Instructions for specific venting information.				
Termination Kits - Direct Vent Applications Only	Concentric	US - 2 in.	71M80	69M29
		3 in.	---	60L46
		Canada - 2 in.	44W92	44W92
		3 in.	---	44W93
	Flush-Mount	US - 2, 2-1/2 or 3 in.	51W11	51W11
		Canada - 2, 2-1/2 or 3 in.	51W12	51W12
	Wall - Close Couple	US - 2 in.	22G44	---
		3 in.	44J40	44J40
	Wall - Close Couple WTK	Canada - 2 in.	30G28	---
		3 in.	81J20	81J20
Termination Kits - Direct or Non-Direct vent	Roof	2 in.	15F75	15F75
	Wall Ring Kit	2 in.	15F74	3 15F74
2 Roof Termination Flashing Kit (2 flashings)			44J41	44J41
VENTING				
Flue Coupling			17H92	17H92

1 Cleanable polyurethane frame type filter.

2 Kits contain enough parts for two, non-direct vent installations.

3 Non-direct vent only.

NOTE - Termination Kits (44W92, 44W93, 30G28, 51W12, 51W19, 81J20) and Crawl Space Vent Drain Kit (15Z70) are certified to ULC S636 standard for use in Canada only.

NOTE - Due to Lennox' ongoing commitment to quality, Specifications, Ratings and Dimensions subject to change without notice and without incurring liability. Improper installation, adjustment, alteration, service or maintenance can cause property damage or personal injury. Installation and service must be performed by a qualified installer and servicing agency.

GAS HEAT ACCESSORIES

Input	High Altitude Pressure Switch Kit		Natural Gas to LPG/Propane Kit	LPG/Propane to Natural Gas Kit	Natural Gas High Altitude Orifice Kit	LPG/Propane High Altitude Orifice Kit	Muffler (US Only)
	4501 - 7500 ft.	7501 - 10,000 ft.	0 - 7500 ft.	0 - 7500 ft.	7501 - 10,000 ft.	7501 - 10,000 ft.	
030	11U65	11U66	17H63	N/A	14C90	17H66	15Y66 (2-inch)
045	11U65	11U66	11K49	73W81	73W37	11K44	15Y66 (2-inch)
070	11U65	11U66	11K49	73W81	73W37	11K44	15Y66 (2-inch)
090	11U65	11U66	11K49	73W81	73W37	11K44	15Y66 (2-inch)
110	11U65	11U66	11K49	73W81	73W37	11K44	² 15Y66 (2-inch) 16A56 (3-inch)

² Two-inch diameter muffler (15Y66) is optional for 110 input model with a maximum vent pipe length of up to 29 ft.
Three-inch diameter muffler (16A56) is optional for 110 input model with a minimum vent pipe length of 30 ft.



NOTE – Due to Lennox' ongoing commitment to quality, Specifications, Ratings and Dimensions subject to change without notice and without incurring liability. Improper installation, adjustment, alteration, service or maintenance can cause property damage or personal injury. Installation and service must be performed by a qualified installer and servicing agency.



PRODUCT CATALOG

**GAS FURNACES
ML180UHE
MERIT® SERIES**

**Upflow/Horizontal - High Efficiency Blower Motor
AFUE - 80%
Input - 44,000 to 132,000 Btuh**

Page 63

April 2019

Supersedes February 2019

NOTE - Not Available In Canada!

FEATURES

Heating System

- Lennox Duralok™ Aluminized Steel Heat Exchanger Assembly
- Aluminized Steel Inshot Burners
- Gas Control Valve with 100% Safety Shutoff
- Flame Rollout Switches
- Hot Surface, Nitride Ignitor
- Combustion Air Inducer
- Limit Control

Controls

- Integrated Furnace Control
- 24 Volt Transformer
- Field Wiring Make-up Box

Power Saver™ Constant Torque Blower Motor

High efficiency, multi-speed ECM (Electronically Commutated Motor)

Cabinet

- Upflow/Horizontal applications
- Pre-painted Cabinet Finish
- Foil-faced insulation on sides and back of heating compartment.

Low Leakage Cabinet

Less than 2%.

Coil Match-up

All furnaces match Lennox cased upflow indoor coils and horizontal indoor coils with same letter designation (A, B, C, D) as in the furnace model number.



ACCESSORIES

See page 67

Cabinet

- Horizontal Suspension Kit
- Return Air Base

Controls

- Blower Motor Relay Kit
- Thermostat
- Twinning Kit

Filter Kits

- Air Filter and Rack Kits

Gas Heating

- Gas Conversion Kits
- High Altitude Orifice Kit (natural gas only)
- High Altitude Pressure Switch Kit

Service Kits

- Night Service Kit

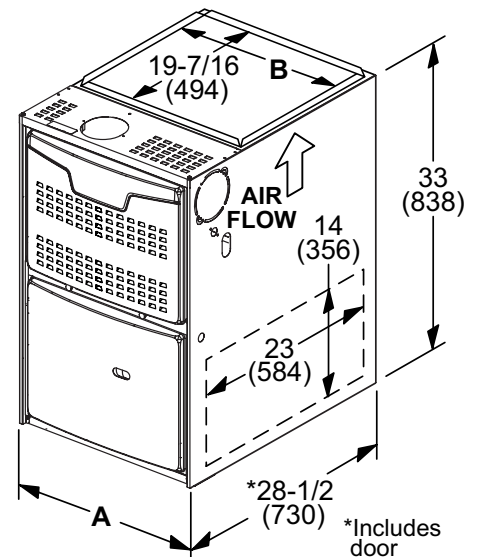
LIMITED WARRANTY

Heat Exchanger - twenty years
All other covered components - five years

Refer to Lennox Equipment Limited Warranty certificate included with equipment for details

Furnace Width	"A"	"B"	"C"	"D"
A Dimension	14-1/2 (368)	17-1/2 (446)	21 (533)	24-1/2 (622)
B Dimension	13-3/8 (340)	16-3/8 (416)	19-7/8 (454)	23-3/8 (546)
Bottom Width return	13 (330)	16 (406)	19-1/2 (495)	23 (584)
Depth	23-1/2 (597)	23-1/2 (597)	23-1/2 (597)	23-1/2 (597)

DIMENSIONS



NOTE - Due to Lennox' ongoing commitment to quality, Specifications, Ratings and Dimensions subject to change without notice and without incurring liability. Improper installation, adjustment, alteration, service or maintenance can cause property damage or personal injury. Installation and service must be performed by a qualified installer and servicing agency.

SPECIFICATIONS

Gas Heating Performance		Model No. Model No. - Low Nox	ML180UH045E36A ML180UH045XE36A	ML180UH070E36B ML180UH070XE36B	ML180UH090E48B ML180UH090XE48B
		¹ AFUE	80%	80%	80%
		Input - Btuh	44,000	66,000	88,000
		Output - Btuh	36,000	53,000	72,000
		Temperature rise range - °F	15 - 45	40 - 70	35 - 65
		Gas Manifold Pressure (in. w.g.) Nat. Gas / LPG/Propane	3.5 / 10.0	3.5 / 10.0	3.5 / 10.0
High Static - in. w.g.			0.50	0.50	0.50
Connections in.	Flue connection - in. round		4	4	4
	Gas pipe size IPS		1/2	1/2	1/2
Indoor Blower	Wheel nom. dia. x width - in.		10 x 8	10 x 10	10 x 10
	Motor Type		DC Brushless	DC Brushless	DC Brushless
	Motor output - hp		1/2	1/2	3/4
	Tons of add-on cooling		1.5 - 3	1.5 - 3	2.5 - 4
	Air Volume Range - cfm		350 - 1380	395 - 1415	750 - 1785
Electrical Data	Voltage		120 volts - 60 hertz - 1 phase		
	Blower motor full load amps		6.8	6.8	8.4
	Maximum overcurrent protection		15	15	15
Shipping Data	lbs. - 1 package		111	127	142

SPECIFICATIONS

Gas Heating Performance		Model No. Model No. - Low Nox	ML180UH090E60C ---	ML180UH110E60C ML180UH110XE60C	ML180UH135E60D ---
		¹ AFUE	80%	80%	80%
		Input - Btuh	88,000	110,000	132,000
		Output - Btuh	72,000	90,000	107,000
		Temperature rise range - °F	30 - 60	35 - 65	30 - 60
		Gas Manifold Pressure (in. w.g.) Nat. Gas / LPG/Propane	3.5 / 10.0	3.5 / 10.0	3.5 / 10.0
High Static - in. w.g.			0.50	0.50	0.50
Connections in.	Flue connection - in. round		4	4	4
	Gas pipe size IPS		1/2	1/2	1/2
Indoor Blower	Wheel nom. dia. x width - in.		11-1/2 x 10	11-1/2 x 10	11 x 11
	Motor Type		DC Brushless	DC Brushless	DC Brushless
	Motor output - hp		1	1	1
	Tons of add-on cooling		3 - 5	3 - 5	3.5 - 5
	Air Volume Range - cfm		990 - 2290	920 - 2315	1140 - 2495
Electrical Data	Voltage		120 volts - 60 hertz - 1 phase		
	Blower motor full load amps		10.9	10.9	10.9
	Maximum overcurrent protection		15	15	15
Shipping Data	lbs. - 1 package		152	160	178

NOTE - Filters and provisions for mounting are not furnished and must be field provided.

¹ Annual Fuel Utilization Efficiency based on DOE test procedures and according to FTC labeling regulations. Isolated combustion system rating for non-weatherized furnaces.



NOTE – Due to Lennox' ongoing commitment to quality, Specifications, Ratings and Dimensions subject to change without notice and without incurring liability. Improper installation, adjustment, alteration, service or maintenance can cause property damage or personal injury. Installation and service must be performed by a qualified installer and servicing agency.



PRODUCT CATALOG

**GAS FURNACES
ML18ODFE
MERIT® SERIES**

**Downflow - High Efficiency Blower Motor
AFUE - 80%
Input - 44,000 to 110,000 Btuh**

Page 65
April 2019
Supersedes February 2019

NOTE - Not Available In Canada!

FEATURES

Heating System

- Lennox Duralok™ Aluminized Steel Heat Exchanger Assembly
- Aluminized Steel Inshot Burners
- Gas Control Valve with 100% Safety Shutoff
- Flame Rollout Switch
- Hot Surface, Nitride Ignitor
- Combustion Air Inducer
- Limit Controls

Controls

- Integrated Furnace Control
- 24 Volt Transformer
- Field Wiring Make-up Box

Power Saver™ Constant Torque Blower Motor

High efficiency, multi-speed ECM (Electronically Commutated Motor)

Cabinet

- Downflow applications
- Pre-painted cabinet finish
- Foil-faced insulation on sides and back of heating compartment.

Low Leakage Cabinet

Less than 2%.

Coil Match-up

All Lennox downflow indoor coils will physically match the furnace **supply air opening** with the same letter designation (A, B, C, D) as in the furnace model number.



ACCESSORIES

See page 67

Cabinet

- Downflow Combustible Flooring Base

Controls

- Blower Motor Relay Kit
- Thermostat
- Twinning Kit

Filters

- Downflow Filter Kits

Gas Heating

- Gas Conversion Kits
- High Altitude Pressure Switch Kits

Service Kits

- Night Service Kit

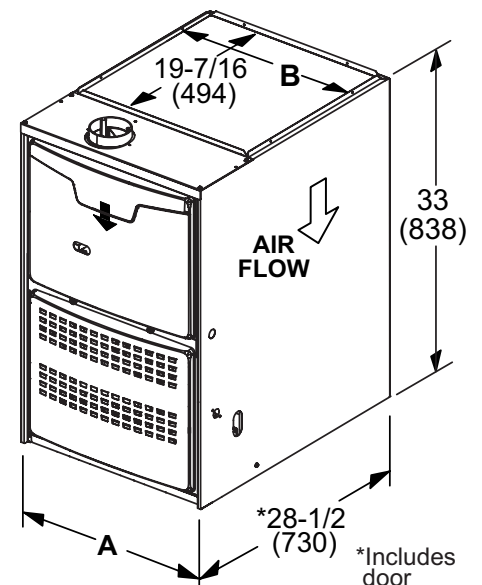
LIMITED WARRANTY

Heat Exchanger - twenty years
All other covered components - five years

Refer to Lennox Equipment Limited Warranty certificate included with equipment for details

Furnace Width	"A"	"B"	"C"
A Dimension	14-1/2 (368)	17-1/2 (446)	21 (533)
B Dimension	13-3/8 (340)	16-3/8 (416)	19-7/8 (454)
Bottom Width return	13 (330)	16 (406)	19-1/2 (495)
Depth	23-1/2 (597)	23-1/2 (597)	23-1/2 (597)

DIMENSIONS



NOTE - Due to Lennox' ongoing commitment to quality, Specifications, Ratings and Dimensions subject to change without notice and without incurring liability. Improper installation, adjustment, alteration, service or maintenance can cause property damage or personal injury. Installation and service must be performed by a qualified installer and servicing agency.

SPECIFICATIONS

		Model No.	ML180DF045E36A	ML180DF070E36B	ML180DF090E48B	ML180DF110E60C
Gas Heating Performance	¹ AFUE		80%	80%	80%	80%
	Input - Btuh		44,000	66,000	88,000	110,000
	Output - Btuh		36,000	54,000	72,000	90,000
	Temperature rise range - °F		15 - 45	30 - 60	30 - 60	30 - 60
	Gas Manifold Pressure (in. w.g.) Nat. Gas / LPG/Propane		3.5 / 10.0	3.5 / 10.0	3.5 / 10.0	3.5 / 10.0
High Static - in. w.g.			0.50	0.50	0.50	0.50
Connections in.	Flue connection - in. round		4	4	4	4
	Gas pipe size IPS		1/2	1/2	1/2	1/2
Indoor Blower	Wheel nom. dia. x width - in.		10 x 8	10 x 10	10 x 10	11-1/2 x 10
	Motor Type		DC Brushless	DC Brushless	DC Brushless	DC Brushless
	Motor output - hp		1/2	1/2	3/4	1
	Tons of add-on cooling		1.5 - 3	1.5 - 3	2.5 - 4	3 - 5
	Air Volume Range - cfm		355 - 1430	430 - 1475	680 - 1750	990 - 2410
Electrical Data	Voltage		120 volts - 60 hertz - 1 phase			
	Blower motor full load amps		6.8	6.8	8.4	10.9
	Maximum overcurrent protection		15	15	15	15
Shipping Data	lbs. - 1 package		113	128	140	160

NOTE - Filters and provisions for mounting are not furnished and must be field provided.

¹ Annual Fuel Utilization Efficiency based on DOE test procedures and according to FTC labeling regulations. Isolated combustion system rating for non-weatherized furnaces.



NOTE – Due to Lennox’ ongoing commitment to quality, Specifications, Ratings and Dimensions subject to change without notice and without incurring liability. Improper installation, adjustment, alteration, service or maintenance can cause property damage or personal injury. Installation and service must be performed by a qualified installer and servicing agency.



OPTIONAL ACCESSORIES - ORDER SEPARATELY

	"A" Width	"B" Width	"C" Width	"D" Width	
CABINET ACCESSORIES					
Downflow Combustible Flooring Base - Downflow only	11M59	11M60	11M61	- - -	
Horizontal Suspension Kit - Horizontal only	51W10	51W10	51W10	51W10	
Return Air Base - Upflow only	65W75	50W98	50W99	51W00	
CONTROLS					
Blower Motor Relay Kit (for two-stage outdoor units)	85W66	85W66	85W66	85W66	
Twinning Kit	16W72	16W72	16W72	16W72	
DOWNFLOW FILTER KITS					
Downflow Filter Cabinet	51W06	51W07	51W08	- - -	
¹ No. and size of filter - in.	(1) 20 x 20 x 1	(2) 16 x 20 x 1	(2) 16 x 20 x 1	- - -	
SERVICE KIT					
Night Service Kit	84W47	84W47	84W47	84W47	
UPFLOW/HORIZONTAL FILTER KITS					
¹ Air Filter and Rack Kit	Horizontal (end)	87L95	87L96	87L97	87L98
	Size of filter - in.	14 x 25 x 1	18 x 25 x 1	20 x 25 x 1	25 x 25 x 1
	Side Return	44J22	44J22	44J22	44J22
	Ten Pack	66K63	66K63	66K63	66K63
	Size of filter - in.	16 x 25 x 1	16 x 25 x 1	16 x 25 x 1	16 x 25 x 1
VENTING					
Vent Adaptor - 6 in. connection size upflow applications only	18M79	18M79	18M79	18M79	

¹ Cleanable frame type filter.

GAS HEAT ACCESSORIES

Input	High Altitude Pressure Switch Kit			Natural Gas to LPG/Propane Kit		LPG/Propane to Natural Gas Kit	Natural Gas High Altitude Orifice Kit
	0 - 4500 ft.	4501 - 7500 ft.	7501 - 10,000 ft.	0 - 7500 ft.	7501 - 10,000 ft.	0 - 7500 ft.	7501 - 10,000 ft.
045	No Change	80W52 (upflow) (no change for downflow)	80W51	11K49	11K44	73W81	73W37
070	No Change	80W52	80W51	11K49	11K44	73W81	73W37
090	No Change	80W52 (upflow) (no change for downflow)	80W51	11K49	11K44	73W81	73W37
110	No Change	80W52	80W52	11K49	11K44	73W81	73W37
135	No Change	80W52	80W51	11K49	11K44	73W81	73W37

NOTE - Due to Lennox' ongoing commitment to quality, Specifications, Ratings and Dimensions subject to change without notice and without incurring liability. Improper installation, adjustment, alteration, service or maintenance can cause property damage or personal injury. Installation and service must be performed by a qualified installer and servicing agency.



PRODUCT CATALOG

**GAS FURNACES
ML180UH
MERIT® SERIES**

Upflow/Horizontal
AFUE - 80%
Input - 44,000 to 132,000 Btuh

Page 69

April 2019

Supersedes February 2019

NOTE - Not Available In Canada!

FEATURES

Heating System

- Lennox Designed Aluminized Steel Heat Exchanger Assembly
- Aluminized Steel Inshot Burners
- Gas Control Valve with 100% Safety Shutoff
- Flame Rollout Switches
- SureLight® Hot Surface Ignitor
- Combustion Air Inducer
- Limit Control

Controls

- SureLight® Integrated Furnace Control
- Built-in Twinning Capability
- 24 Volt Transformer
- Field Wiring Make-up Box

Blower

- Multi-Speed, Direct Drive Blower

Cabinet

- Upflow/Horizontal applications
- Pre-painted cabinet finish.
- Foil-faced insulation on sides and back of heating compartment.

Low Leakage Cabinet

- Less than 2%.

Coil Match-up

- All furnaces match Lennox cased upflow indoor coils and horizontal indoor coils with same letter designation (A, B, C, D) as in the furnace model number.



ACCESSORIES

See page 73

Cabinet

- Horizontal Suspension Kit
- Return Air Base

Controls

- Thermostat

Filter Kits

- Air Filter and Rack Kits

Gas Heating

- Gas Conversion Kits
- High Altitude Orifice Kit (natural gas only)
- High Altitude Pressure Switch Kit

Service Kits

- Night Service Kit
- Universal Service Kit - Switches

LIMITED WARRANTY

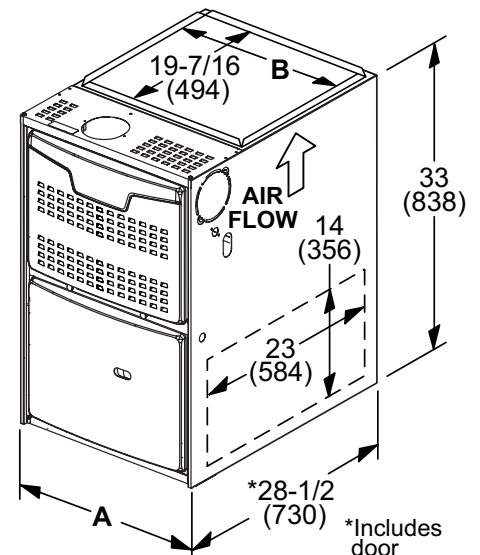
Heat Exchanger - Twenty-years.
All other covered components - five years.

Refer to Lennox Equipment Limited Warranty certificate included with equipment for details.

NOTE - Not for Twinning!

Furnace Width	"A"	"B"	"C"	"D"
A Dimension	14-1/2 (368)	17-1/2 (446)	21 (533)	24-1/2 (622)
B Dimension	13-3/8 (340)	16-3/8 (416)	19-7/8 (454)	23-3/8 (546)
Bottom Width return	13 (330)	16 (406)	19-1/2 (495)	23 (584)
Depth	23-1/2 (597)	23-1/2 (597)	23-1/2 (597)	23-1/2 (597)

DIMENSIONS



NOTE - Due to Lennox' ongoing commitment to quality, Specifications, Ratings and Dimensions subject to change without notice and without incurring liability. Improper installation, adjustment, alteration, service or maintenance can cause property damage or personal injury. Installation and service must be performed by a qualified installer and servicing agency.

SPECIFICATIONS

Gas Heating Performance	Model No.	ML180UH 045P24A	ML180UH 045P36A	ML180UH 070P24A	ML180UH 070P36A	ML180UH 090P36B
	Model No. - Low Nox	---	ML180UH 045XP36A	---	ML180UH 070XP36A	---
	¹ AFUE	80%	80%	80%	80%	80%
	Input - Btuh	44,000	44,000	66,000	66,000	88,000
	Output - Btuh	35,000	35,000	54,000	54,000	71,000
	Temperature rise range - °F	20 - 50	15 - 45	30 - 60	30 - 60	25 - 55
	Gas Manifold Pressure (in. w.g.) Nat. Gas / LPG/Propane	3.5 / 10.0	3.5 / 10.0	3.5 / 10.0	3.5 / 10.0	3.5 / 10.0
High Static - in. w.g.		0.50	0.50	0.50	0.50	0.50
Connections in.	Flue connection - in. round	4	4	4	4	4
	Gas pipe size IPS	1/2	1/2	1/2	1/2	1/2
Indoor Blower	Wheel nom. dia. x width - in.	10 x 7	10 x 8	10 x 7	10 x 8	10 x 9
	Motor output - hp	1/5	1/3	1/5	1/3	1/3
	Tons of add-on cooling	1.5 - 2	2 - 3	1.5 - 2	2 - 3	2 - 3
	Air Volume Range - cfm	345 - 1130	650 - 1670	420 - 1160	785 - 1660	680 - 1795
Electrical Data	Voltage	120 volts - 60 hertz - 1 phase				
	Blower motor full load amps	3.1	6.1	3.1	6.1	6.1
	Maximum overcurrent protection	15	15	15	15	15
Shipping Data	lbs. - 1 package	105	110	114	119	131

NOTE - Filters and provisions for mounting are not furnished and must be field provided.

¹ Annual Fuel Utilization Efficiency based on DOE test procedures and according to FTC labeling regulations. Isolated combustion system rating for non-weatherized furnaces.

SPECIFICATIONS

Gas Heating Performance	Model No.	ML180UH 090P48B	ML180UH 110P48C	ML180UH 110P60C	ML180UH 135P60D
	Model No. - Low Nox	ML180UH 090XP48B	---	ML180UH 110XP60C	---
	¹ AFUE	80%	80%	80%	80%
	Input - Btuh	88,000	110,000	110,000	132,000
	Output - Btuh	71,000	89,000	89,000	107,000
	Temperature rise range - °F	25 - 55	25 - 55	25 - 55	30 - 60
	Gas Manifold Pressure (in. w.g.) Nat. Gas / LPG/Propane	3.5 / 10.0	3.5 / 10.0	3.5 / 10.0	3.5 / 10.0
High Static - in. w.g.		0.50	0.50	0.50	0.50
Connections in.	Flue connection - in. round	4	4	4	4
	Gas pipe size IPS	1/2	1/2	1/2	1/2
Indoor Blower	Wheel nom. dia. x width - in.	10 x 10	10 x 10	11-1/2 x 10	11 x 11
	Motor output - hp	1/2	1/2	1	1
	Tons of add-on cooling	3 - 4	3 - 4	4 - 5	4 - 5
	Air Volume Range - cfm	920 - 2160	910 - 2170	1355 - 2715	1380 - 2810
Electrical Data	Voltage	120 volts - 60 hertz - 1 phase			
	Blower motor full load amps	8.2	8.2	10	11.5
	Maximum overcurrent protection	15	15	15	15
Shipping Data	lbs. - 1 package	138	151	161	174

NOTE - Filters and provisions for mounting are not furnished and must be field provided.

¹ Annual Fuel Utilization Efficiency based on DOE test procedures and according to FTC labeling regulations. Isolated combustion system rating for non-weatherized furnaces.



NOTE - Due to Lennox' ongoing commitment to quality, Specifications, Ratings and Dimensions subject to change without notice and without incurring liability. Improper installation, adjustment, alteration, service or maintenance can cause property damage or personal injury. Installation and service must be performed by a qualified installer and servicing agency.



PRODUCT CATALOG

NOTE - Not Available In Canada!

FEATURES

Heating System

Lennox Designed Aluminized Steel Heat Exchanger Assembly
 Aluminized Steel Inshot Burners
 Gas Control Valve with 100% Safety Shutoff
 Flame Rollout Switch
 SureLight® Hot Surface Ignitor
 Combustion Air Inducer
 Limit Controls

Controls

SureLight® Integrated Furnace Control
 Built-in Twinning Capability
 24 Volt Transformer
 Field Wiring Make-up Box

Blower

Multi-Speed, Direct Drive Blower

Cabinet

Downflow applications
 Pre-painted cabinet finish.
 Foil-faced insulation on sides and back of heating compartment.

Low Leakage Cabinet

Less than 2%.

Coil Match-up

All Lennox downflow indoor coils will physically match the furnace **supply air opening** with the same letter designation (A, B, C, D) as in the furnace model number.



LIMITED WARRANTY

Heat Exchanger - Twenty-years.
 All other covered components - five years.

Refer to Lennox Equipment Limited Warranty certificate included with equipment for details.

NOTE - Not for Twinning!

Furnace Width	"A"	"B"	"C"
A Dimension	14-1/2 (368)	17-1/2 (446)	21 (533)
B Dimension	13-3/8 (340)	16-3/8 (416)	19-7/8 (454)
Bottom Width return	13 (330)	16 (406)	19-1/2 (495)
Depth	19-1/4 (489)	19-1/4 (489)	19-1/4 (489)

GAS FURNACES ML180DF MERIT® SERIES

Downflow
 AFUE - 80%
 Input - 44,000 to 110,000 Btuh

Page 71
 April 2019
 Supersedes February 2019

ACCESSORIES

See page 73

Cabinet

- Downflow Combustible Flooring Base

Controls

- Thermostat

Filters

- Downflow Filter Kits

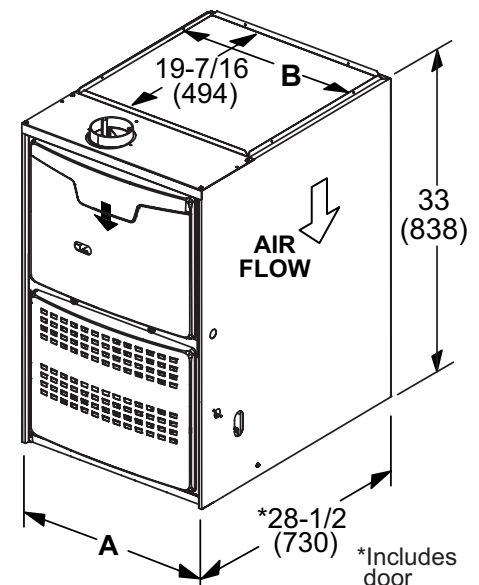
Gas Heating

- Gas Conversion Kits
- High Altitude Pressure Switch Kits

Service Kits

- Night Service Kit
- Universal Service Kit - Switches

DIMENSIONS



NOTE - Due to Lennox' ongoing commitment to quality, Specifications, Ratings and Dimensions subject to change without notice and without incurring liability. Improper installation, adjustment, alteration, service or maintenance can cause property damage or personal injury. Installation and service must be performed by a qualified installer and servicing agency.

SPECIFICATIONS				
Gas Heating Performance	Model No.	ML180DF045P24A	ML180DF045P36A	ML180DF070P36A
	Model No. - Low NO _x	- - -	- - -	ML180DF070XP36A
	¹ AFUE	80%	80%	80%
	Input - Btuh	44,000	44,000	66,000
	Output - Btuh	35,000	36,000	53,000
	Temperature rise range - °F	25 - 55	15 - 45	25 - 55
	Gas Manifold Pressure (in. w.g.)	3.5 / 10.0	3.5 / 10.0	3.5 / 10.0
	Nat. Gas / LPG/Propane			
High Static - in. w.g.		0.50	0.50	0.50
Connections in.	Flue connection - in. round	4	4	4
	Gas pipe size IPS	1/2	1/2	1/2
Indoor Blower	Wheel nom. dia. x width - in.	10 x 7	10 x 8	10 x 8
	Motor output - hp	1/5	1/3	1/3
	Tons of add-on cooling	1.5 - 2	2 - 3	2 - 3
	Air Volume Range - cfm	401 - 1157	739 - 1524	717 - 1562
Electrical Data	Voltage	120 volts - 60 hertz - 1 phase		
	Blower motor full load amps	3.1	6.1	6.1
	Maximum overcurrent protection	15	15	15
Shipping Data	lbs. - 1 package	105	113	128

NOTE - Filters and provisions for mounting are not furnished and must be field provided.

¹ Annual Fuel Utilization Efficiency based on DOE test procedures and according to FTC labeling regulations. Isolated combustion system rating for non-weatherized furnaces.

SPECIFICATIONS				
Gas Heating Performance	Model No.	ML180DF090P36B	ML180DF090P48B	ML180DF110P60C
	Model No. - Low NO _x	- - -	ML180DF090XP48B	ML180DF110XP60C
	¹ AFUE	80%	80%	80%
	Input - Btuh	88,000	88,000	110,000
	Output - Btuh	71,000	71,000	89,000
	Temperature rise range - °F	35 - 65	25 - 55	30 - 60
	Gas Manifold Pressure (in. w.g.)	3.5 / 10.0	3.5 / 10.0	3.5 / 10.0
	Nat. Gas / LPG/Propane			
High Static - in. w.g.		0.50	0.50	0.50
Connections in.	Flue connection - in. round	4	4	4
	Gas pipe size IPS	1/2	1/2	1/2
Indoor Blower	Wheel nom. dia. x width - in.	10 x 9	10 x 10	11-1/2 x 10
	Motor output - hp	1/3	1/2	1
	Tons of add-on cooling	2 - 3	3 - 4	4 - 5
	Air Volume Range - cfm	743 - 1695	917 - 1929	1517 - 2760
Electrical Data	Voltage	120 volts - 60 hertz - 1 phase		
	Blower motor full load amps	6.1	8.2	10.0
	Maximum overcurrent protection	15	15	15
Shipping Data	lbs. - 1 package	131	140	160

NOTE - Filters and provisions for mounting are not furnished and must be field provided.

¹ Annual Fuel Utilization Efficiency based on DOE test procedures and according to FTC labeling regulations. Isolated combustion system rating for non-weatherized furnaces.





ML180UH, ML180DF - OPTIONAL ACCESSORIES

PRODUCT CATALOG

Page 73
 April 2019
 Supersedes February 2019

OPTIONAL ACCESSORIES - ORDER SEPARATELY

	"A" Width	"B" Width	"C" Width	"D" Width	
CABINET ACCESSORIES					
Downflow Combustible Flooring Base - Downflow only	11M59	11M60	11M61	- - -	
Horizontal Suspension Kit - Horizontal only	51W10	51W10	51W10	51W10	
Return Air Base - Upflow only	65W75	50W98	50W99	51W00	
DOWNFLOW FILTER KITS					
Downflow Filter Cabinet	51W06	51W07	51W08	- - -	
¹ No. and size of filter - in.	(1) 20 x 20 x 1	(2) 16 x 20 x 1	(2) 16 x 20 x 1	- - -	
SERVICE KITS					
Night Service Kit	68W80	68W80	68W80	68W80	
Universal Service Kit - Switches	89W19	89W19	89W19	89W19	
UPFLOW/HORIZONTAL FILTER KITS					
¹ Air Filter and Rack Kit	Horizontal (end)	87L95	87L96	87L97	87L98
	Size of filter - in.	14 x 25 x 1	18 x 25 x 1	20 x 25 x 1	25 x 25 x 1
	Side Return	44J22	44J22	44J22	44J22
	Single	66K63	66K63	66K63	66K63
	Ten Pack	66K63	66K63	66K63	66K63
	Size of filter - in.	16 x 25 x 1	16 x 25 x 1	16 x 25 x 1	16 x 25 x 1
VENTING					
Vent Adaptor - 6 in. connection size upflow applications only	18M79	18M79	18M79	18M79	

¹ Cleanable frame type filter.

GAS HEAT ACCESSORIES

Input	High Altitude Pressure Switch Kit			Natural Gas to LPG/Propane Kit		LPG/Propane to Natural Gas Kit	Natural Gas High Altitude Orifice Kit
	0 - 4500 ft.	4501 - 7500 ft.	7501 - 10,000 ft.	0 - 7500 ft.	7501 - 10,000 ft.	0 - 7500 ft.	7501 - 10,000 ft.
045	No Change	80W52 (UH) / No Change (DF)	80W51	11K49	76W15	73W81	73W37
070	No Change	80W52	80W51	11K49	76W15	73W81	73W37
090	No Change	80W52 (UH) / No Change (DF)	80W51	11K49	76W15	73W81	73W37
090X	No Change	80W52	80W51	11K49	76W15	73W81	73W37
110	No Change	80W57 (UH) / 80W52 (DF)	80W52	11K49	76W15	73W81	73W37
135	No Change	80W52	80W51	11K49	76W15	73W81	73W37

NOTE - Due to Lennox' ongoing commitment to quality, Specifications, Ratings and Dimensions subject to change without notice and without incurring liability. Improper installation, adjustment, alteration, service or maintenance can cause property damage or personal injury. Installation and service must be performed by a qualified installer and servicing agency.



PRODUCT CATALOG

Horizontal, Low Profile, Gas-Fired Unit Heaters
Steady State Efficiency - Up to 81.0%
Input - 30,000 to 75,000 Btuh

Page 1
 April 2019
 Supersedes February 2019

FEATURES

Heating System

- Aluminized Steel Tubular Heat Exchanger
- Aluminized Steel Inshot Burners
- Limit Control
- 24 volt Gas Control Valve with 100% Safety Shutoff
- Combustion Air Inducer
- Controls
- 24V transformer
- Combination Ignition/Fan Timer Control with LED Diagnostics
- Electronic Direct Spark Ignition
- Electronic Flame Sensor Control

Fan

Efficient, quiet operating, propeller-type, direct drive fan.

Cabinet

- Low Profile
- Heavy gauge painted steel
- Insulated Cabinet
- Adjustable Louvers
- Wiring Junction Box
- Terminal strip
- Hanging Brackets



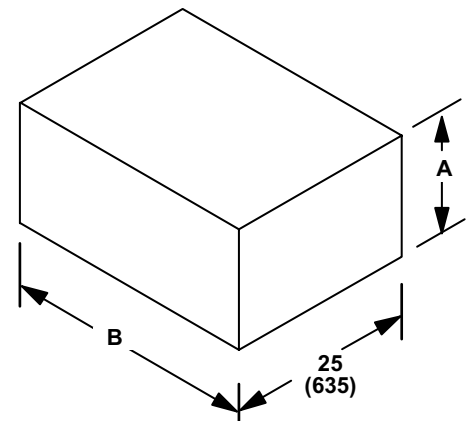
ACCESSORIES

- LPG/Propane Conversion Kit
- Thermostat

LIMITED WARRANTY

Aluminized Steel Heat Exchanger - ten years
 All other covered components - five years
 Refer to Lennox Equipment Limited Warranty certificate included with equipment for details

DIMENSIONS



Model No.	LF24-30A LF24-45A	LF24-60A LF24-75A
A	13 (330)	18 (457)
B (overall)	24 (610)	25 (635)

NOTE – Due to Lennox’ ongoing commitment to quality, Specifications, Ratings and Dimensions subject to change without notice and without incurring liability. Improper installation, adjustment, alteration, service or maintenance can cause property damage or personal injury. Installation and service must be performed by a qualified installer and servicing agency.

SPECIFICATIONS

Gas	Model No.	LF24-30A	LF24-45A	LF24-60A	LF24-75A
Heating Performance	Heating Capacity Input - Btuh	30,000	45,000	60,000	75,000
	Heating Capacity Output - Btuh	24,300	36,500	48,000	60,000
	Steady State Efficiency	81.0%	81.0%	80.0%	80.0%
	Temperature rise - °F	42	45	45	60
Connections in.	Flue size (round)	¹ 3	¹ 3	² 4	² 4
	Gas Piping Size	1/2	1/2	1/2	1/2
Fan Data	Number of fans	1	1	1	1
	Fan Diameter - in.	10	10	14	14
	Number of blades	4	4	5	5
	Motor Output - hp	1/20	1/20	1/8	1/8
	Amps	1.7	1.7	4.1	4.1
	rpm	1650	1650	1050	1050
	Air Volume - cfm	535	750	950	950
Air throw at 8 ft. mounting height - ft.		25	25	40	40
Electrical Characteristics		115 volts - 60 hertz - 1 phase			
Shipping Weight - lbs. 1 package		60	63	87	91

OPTIONAL ACCESSORIES - ORDER SEPARATELY

LPG/Propane Kit	20L05	20L05	20L05	20L05
------------------------	--------------	--------------	--------------	--------------

NOTE - Transitions are furnished for flue connection to unit combustion air inducer outlet.

¹ 2-1/8 in. (unit) x 3 in. (flue) diameter transition is furnished with unit for flue connection² 2 in. (unit) x 4 in. (flue) diameter transition is furnished with unit for flue connection.**HORIZONTAL VENT KITS AND ELBOW****REQUIRED FOR RESIDENTIAL HORIZONTAL VENTING APPLICATIONS**

Unit Heater Model No.	Vent Diameter (in.)	Upslope Vent Kit	Catalog No.	Downslope Vent Kit	Catalog No.	45° Elbow	Catalog No.	90° Elbow	Catalog No.	¹ Minimum Vent Length (ft.)
LF24-30 LF24-45	3	C5VENT3KU	75W62	C5VENT3KD	75W66	C5VENT3E45 (Optional)	87W79	C5VENT3E (Optional)	75W70	5
LF24-60 LF24-75	4	C5VENT4KU	75W63	C5VENT4KD	75W67	C5VENT4E45 (Optional)	87W80	C5VENT4E (Optional)	75W71	5

¹ Length does not include termination (or elbow if used).**STRAIGHT VENT PIPE - FOR HORIZONTAL VENTING**

Unit Heater	Model No.	Vent Diameter (in.)	Length (in.)	Catalog No.
LF24-30	C5VENT3P6	3	6	75W74
LF24-45	C5VENT3P12	3	12	75W75
	C5VENT3P36	3	36	75W76
LF24-60	C5VENT4P6	4	6	75W77
LF24-75	C5VENT4P12	4	12	75W78
	C5VENT4P36	4	36	75W79



NOTE - Due to Lennox' ongoing commitment to quality, Specifications, Ratings and Dimensions subject to change without notice and without incurring liability. Improper installation, adjustment, alteration, service or maintenance can cause property damage or personal injury. Installation and service must be performed by a qualified installer and servicing agency.



PRODUCT CATALOG

**OIL FURNACES
SLO185UFV**

DAVE LENNOX SIGNATURE® COLLECTION

Upflow - Variable Speed Blower - SilentComfort™ Technology
AFUE - Up to 87%
Input - 79,000 to 141,000 Btuh

Page 1
April 2019
Supersedes February 2019

FEATURES

Heating System

- Beckett™ NX Oil Burner
- Advanced Air Tube Technology
- EZ Clean Heat Exchanger
- Alumina Silica Ceramic Fiber Combustion Chamber
- Flame Inspection Tube
- Barometric Draft Control
- Limit Control

Controls

- Advanced Burner Control controls oil burner motor and igniter
- Cadmium Sulfide Cell Flame Detector
- 120VAC Primary Safety Control
- Electronic Blower Control
- 24V Transformer

Variable-Speed Blower Motor

- High efficiency, variable speed ECM (Electronically Commutated Motor)
- Maintains specified air volumes up to a maximum of 0.8 in. w.g. total external static.

Cabinet

- Upflow applications
- Pre-painted cabinet finish
- Heating section is insulated with foil faced insulation
- Insulated blower compartment
- Top or Side Flue Pipe Connection



ACCESSORIES

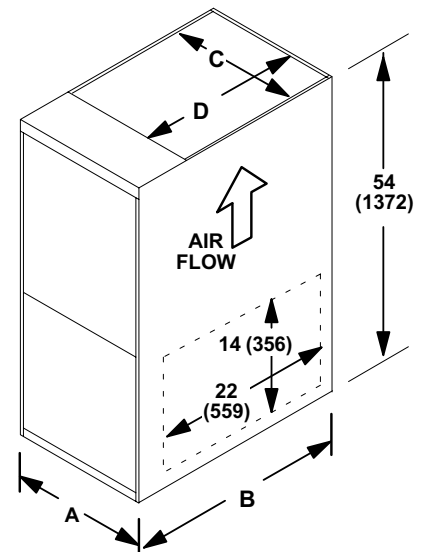
- Oil Filter
- Two-Stage Oil Pump
- Thermostat
- ComfortSense® 7500 Thermostat
- Air Intake Kit

LIMITED WARRANTY

Heat Exchanger - lifetime
All other covered components - ten years
Refer to Lennox Equipment Limited Warranty certificate included with equipment for details

		79/105	124/141
A		19-1/2 (495)	22-1/2 (572)
	B	30-5/8 (778)	33-1/8 (841)
C		18 (457)	21 (533)
	D	19-5/8 (498)	22-1/8 (562)
Bottom return	Width	16 (406)	18 (457)
	Depth	22 (559)	22 (559)

DIMENSIONS



NOTE - Due to Lennox' ongoing commitment to quality, Specifications, Ratings and Dimensions subject to change without notice and without incurring liability. Improper installation, adjustment, alteration, service or maintenance can cause property damage or personal injury. Installation and service must be performed by a qualified installer and servicing agency.

SPECIFICATIONS

		Model Number	SLO185UF79/105V42	SLO185UF124/141V60
Oil Heating Performance	Input - Btuh	Low Fire	79,000	124,000
		¹ High Fire	105,000	141,000
	Output - Btuh	Low Fire	67,000	104,000
		¹ High Fire	87,000	118,000
		² AFUE - Low Fire	86%	87%
		² AFUE - High Fire	85%	85%
		Flue Size Diameter - in.	6	6
		Temperature rise range	50 - 80°F	60 - 85°F
Oil Burner	Nozzle rating - US gph	Low Fire	.50	.75
		¹ High Fire	.65	.85
		Nozzle spray angle	60° hollow	60° hollow
		Oil Burner Pump	1 Stage	1 Stage
		Oil Burner Pump Pressure - psig	150	145
		Air Inlet Connection (diameter) - in.	4	4
Indoor Blower	Blower Motor Output - hp		1/2	3/4
	Nominal add-on cooling - Tons		2.5 thru 4	3 thru 5
	Blower wheel nom. diameter x width - in.		10 x 10	12 x 11
Shipping weight - lbs. 1 package			250	270
Electrical	Characteristics		120V-60hz-1ph	120V-60hz-1ph
	Maximum time delay breaker or fuse size		15 Amps	15 Amps
OPTIONAL ACCESSORIES - ORDER SEPARATELY				
Air Intake Kit			11F44	11F44
ComfortSense® 7500 Thermostat			13H14	13H14
Remote Outdoor Temperature Sensor (for dual fuel and Humiditrol® control)			X2658	X2658
Oil Filters	10 micron without mounting bracket		81P89	81P89
	10 micron with mounting bracket		53P92	53P92
	Replacement cartridge - 10 micron, 45 gph		53P93	53P93
	Filter restriction indicator gauge		53P90	53P90
Two-Stage Oil Pump			65A44	65A44

¹ Nozzle is furnished for field conversion to higher heating input.

² Annual Fuel Utilization Efficiency based on U.S. DOE test procedures and FTC labeling regulations. Isolated combustion system rating for non-weatherized furnaces.



NOTE – Due to Lennox' ongoing commitment to quality, Specifications, Ratings and Dimensions subject to change without notice and without incurring liability. Improper installation, adjustment, alteration, service or maintenance can cause property damage or personal injury. Installation and service must be performed by a qualified installer and servicing agency.



PRODUCT CATALOG

**OIL FURNACES
SLO185BV**

DAVE LENNOX SIGNATURE® COLLECTION

**Lo-Boy - Variable Speed Blower - SilentComfort™ Technology
AFUE - Up to 87%
Input - 79,000 to 141,000 Btuh**

Page 3
April 2019
Supersedes February 2019

FEATURES

Heating System

- Beckett™ NX Oil Burner
- Advanced Air Tube Technology
- EZ Clean Heat Exchanger
- Alumina Silica Ceramic Fiber Combustion Chamber
- Flame Inspection Tube
- Barometric Draft Control
- Limit Control

Controls

- Advanced Burner Control controls oil burner motor and igniter
- Cadmium Sulfide Cell Flame Detector
- 120VAC Primary Safety Control
- Electronic Blower Control
- 24V Transformer

Variable-Speed Blower Motor

- High efficiency, variable speed ECM (Electronically Commutated Motor)
- Maintains specified air volumes up to a maximum of 0.8 in. w.g. total external static.

Cabinet

- Lo-boy applications
- Pre-painted cabinet finish
- Heating section is insulated with foil faced insulation.
- Insulated Blower Compartment
- Top or Side Flue Pipe Connection

Air Filters

- Large, cleanable frame-type filter



ACCESSORIES

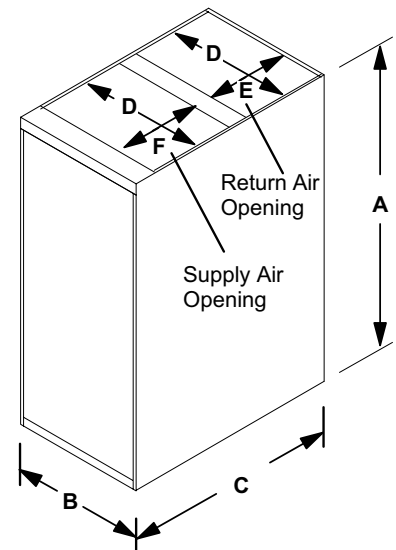
- Oil Filter
- Two-Stage Oil Pump
- Thermostat
- ComfortSense® 7500 Thermostat
- Air Intake Kit

LIMITED WARRANTY

Heat Exchanger - lifetime
All other covered components - ten years
Refer to Lennox Equipment Limited Warranty certificate included with equipment for details

	79/105	124/141
A	37 (940)	37 (940)
B	19-1/2 (495)	22-1/2 (572)
C	52 (1321)	52 (1321)
D	18 (457)	21 (533)
E	16 (406)	16 (406)
F	21 (533)	21 (533)

DIMENSIONS



NOTE - Due to Lennox' ongoing commitment to quality, Specifications, Ratings and Dimensions subject to change without notice and without incurring liability. Improper installation, adjustment, alteration, service or maintenance can cause property damage or personal injury. Installation and service must be performed by a qualified installer and servicing agency.

SPECIFICATIONS

Oil Heating Performance	Model Number	Front Flue Rear Flue	SLO185BF79/105V42	SLO185BF124/141V60
			SLO185BR79/105V42	SLO185BR124/141V60
Input - Btuh		Low Fire	79,000	124,000
		¹ High Fire	105,000	141,000
Output - Btuh		Low Fire	67,000	104,000
		¹ High Fire	87,000	118,000
		² AFUE - Low Fire Front Flue	86%	85%
		² AFUE - High Fire Front Flue	85%	85%
		² AFUE - Low Fire Rear Flue	87%	85%
		² AFUE - High Fire Rear Flue	85%	85%
		Flue Size Diameter - in.	6	6
		Temperature rise range	50 - 80°F	45 - 70°F Front Flue 50 - 80°F Rear Flue
Oil Burner	Nozzle rating - US gph	Low Fire	.50	.75
		¹ High Fire	.65	.85
		Nozzle spray angle	60° hollow	60° hollow
		Oil Burner Pump	1 Stage	1 Stage
		Oil Burner Pump Pressure - psig	150	145
Indoor Blower	Blower Motor Output - hp		1/2	1
	Nominal add-on cooling - Tons		2.5 thru 4	3 thru 5
	Blower wheel nom. diameter x width - in.		10 x 9	12 x 10
³ Filter	Number of filters		1	1
	Size of filters - in.		18 x 19 x 1	19 x 21 x 1
Shipping weight - lbs. 1 package			225 (Front Flue) 230 (Rear Flue)	270
Electrical	Characteristics		120V-60hz-1ph	120V-60hz-1ph
	Maximum Overcurrent Protection (amps)		15	15

OPTIONAL ACCESSORIES - ORDER SEPARATELY

Air Intake Kit		11F44	11F44
ComfortSense® 7500 Thermostat		13H14	13H14
Remote Outdoor Temperature Sensor (for dual fuel and Humiditrol® control)		X2658	X2658
Oil Filters	10 micron without mounting bracket	81P89	81P89
	10 micron with mounting bracket	53P92	53P92
	Replacement cartridge - 10 micron, 45 gph	53P93	53P93
	Filter restriction indicator gauge	53P90	53P90
Two-Stage Oil Pump	without solenoid	65A44	65A44
	with solenoid	71M18	71M18

¹ Nozzle is furnished for field conversion to higher heating input.

² Annual Fuel Utilization Efficiency based on U.S. DOE test procedures and FTC labeling regulations. Isolated combustion system rating for non-weatherized furnaces.

³ Cleanable flame type filters furnished.



NOTE - Due to Lennox' ongoing commitment to quality, Specifications, Ratings and Dimensions subject to change without notice and without incurring liability. Improper installation, adjustment, alteration, service or maintenance can cause property damage or personal injury. Installation and service must be performed by a qualified installer and servicing agency.



PRODUCT CATALOG

**OIL FURNACES
ELO183UF
ELITE® SERIES**

Upflow
AFUE - Up to 84%
Input - 68,000 to 154,000 Btuh

Page 5
April 2019
Supersedes February 2019

FEATURES

Heating System

- Beckett™ Flame-Retention AFG Oil Burner
- EZ Clean Heat Exchanger
- Alumina Silica Ceramic Fiber Combustion Chamber
- Flame Inspection Tube
- Barometric Draft Control

Controls

- Advanced Burner Control controls oil burner motor and igniter
- Cadmium Sulfide Cell Flame Detector
- Primary Safety Control
- Fan and Limit Control
- Terminal Strip
- Blower Cooling Relay
- 24V Transformer

Blower

- Multi-Speed, Direct Drive Blower

Cabinet

- Upflow applications
- Pre-painted cabinet finish
- Heating section is insulated with foil faced insulation
- Insulated blower compartment
- Top or Side Flue Pipe Connection



ACCESSORIES

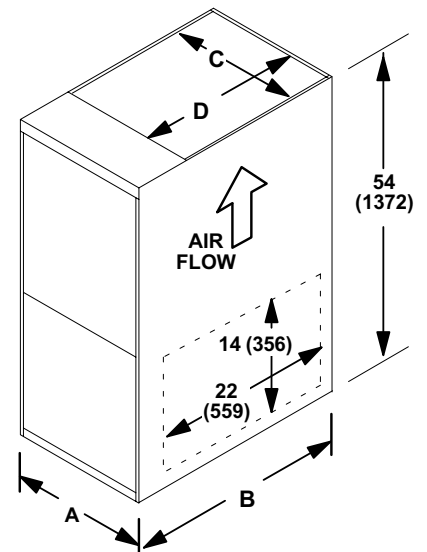
- Oil Filter
- Two-Stage Oil Pump
- Thermostat

LIMITED WARRANTY

Heat Exchanger - lifetime
All other covered components - five years
Refer to Lennox Equipment Limited Warranty certificate included with equipment for details

		68/86 101/114	135/150
A		19-1/2 (495)	22-1/2 (572)
	B	30-5/8 (778)	33-1/8 (841)
C		18 (457)	21 (533)
D		19-5/8 (498)	22-1/8 (562)
Bottom return	Width	16 (406)	18 (457)
	Depth	22 (559)	22 (559)

DIMENSIONS



NOTE - Due to Lennox' ongoing commitment to quality, Specifications, Ratings and Dimensions subject to change without notice and without incurring liability. Improper installation, adjustment, alteration, service or maintenance can cause property damage or personal injury. Installation and service must be performed by a qualified installer and servicing agency.

SPECIFICATIONS

		Model Number	ELO183UF68/86P36	ELO183UF101/114P48	ELO183UF135/150P60
Oil Heating Performance	Input - Btuh	Low Fire	67,500	101,000	135,000
		¹ High Fire	85,500	113,500	151,000
	Output - Btuh	Low Fire	57,000	84,000	113,000
		¹ High Fire	72,000	95,000	126,000
		² AFUE	84%	83%	83%
		Flue Size Diameter - in.	6	6	6
		Temperature rise range	50 - 80°F	50 - 80°F	55 - 85°F
Oil Burner	Nozzle rating - US gph	Low Fire	.50	.65	.85
		¹ High Fire	.65	.75	1.00
	Nozzle spray angle	Low Fire	80° hollow	80° solid	80°B solid
		¹ High Fire	80° solid	80° solid	80° solid
		Oil Burner Pump	1 Stage	1 Stage	1 Stage
		Oil Burner Pump Pressure - psig	100	140	140
		Air Inlet Connection (diameter) - in.	4	4	4
Indoor Blower	Blower Motor Output - hp	1/2	1/2	3/4	
	Nominal add-on cooling - Tons	1.5 thru 3	2 thru 3.5	3 to 5	
	Blower wheel nom. diameter x width - in.	10 x 8	10 x 10	12 x 11	
	Air Volume Range - cfm	605 - 1410	690 - 1755	1110 - 2090	
Shipping weight - lbs. 1 package			230	250	270
Electrical	Characteristics		120V-60hz-1ph	120V-60hz-1ph	120V-60hz-1ph
	Maximum Overcurrent Protection (amps)		15	15	15
OPTIONAL ACCESSORIES - ORDER SEPARATELY					
Combustion Air Boot (4 in. diameter)			83W32	83W32	83W32
Oil Filters	10 micron without mounting bracket		81P89	81P89	81P89
	10 micron with mounting bracket		53P92	53P92	53P92
	Replacement cartridge - 10 micron, 45 gph		53P93	53P93	53P93
	Filter restriction indicator gauge		53P90	53P90	53P90
Two-Stage Oil Pump	without solenoid		65A44	65A44	65A44
	with solenoid		71M18	71M18	71M18

¹ Nozzle must be field provided for field conversion to higher heating input.

² Annual Fuel Utilization Efficiency based on U.S. DOE test procedures and FTC labeling regulations. Isolated combustion system rating for non-weatherized furnaces.



NOTE – Due to Lennox' ongoing commitment to quality, Specifications, Ratings and Dimensions subject to change without notice and without incurring liability. Improper installation, adjustment, alteration, service or maintenance can cause property damage or personal injury. Installation and service must be performed by a qualified installer and servicing agency.



PRODUCT CATALOG

**OIL FURNACES
ELO183B
ELITE® SERIES**

Lo-Boy
AFUE - 83%
Input - 101,000 to 154,000 Btuh

Page 7
April 2019
Supersedes February 2019

FEATURES

Heating System

- Beckett™ Flame-Retention AFG Oil Burner
- EZ Clean Heat Exchanger
- Alumina Silica Ceramic Fiber Combustion Chamber
- Flame Inspection Tube
- Barometric Draft Control

Controls

- Advanced Burner Control controls oil burner motor and igniter
- Cadmium Sulfide Cell Flame Detector
- Primary Safety Control
- Fan and Limit Control
- Terminal Strip
- Blower Cooling Relay
- 24V Transformer

Blower

- Multi-Speed, Direct Drive Blower

Cabinet

- Lo-boy applications
- Pre-painted cabinet finish
- Heating section is insulated with foil faced insulation.
- Insulated Blower Compartment
- Top or Side Flue Pipe Connection

Air Filters

- Large, cleanable frame-type filter



ACCESSORIES

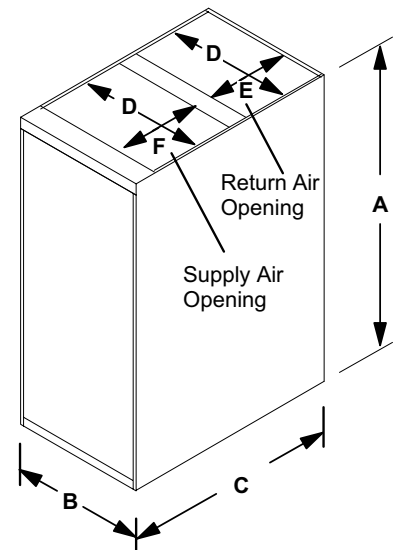
- Oil Filter
- Two-Stage Oil Pump
- Thermostat

LIMITED WARRANTY

Heat Exchanger - lifetime
All other covered components - five years
Refer to Lennox Equipment Limited Warranty certificate included with equipment for details

	101/114	135/150
A	37 (940)	37 (940)
B	19-1/2 (495)	22-1/2 (572)
C	52 (1321)	52 (1321)
D	18 (457)	21 (533)
E	16 (406)	16 (406)
F	21 (533)	21 (533)

DIMENSIONS



NOTE - Due to Lennox' ongoing commitment to quality, Specifications, Ratings and Dimensions subject to change without notice and without incurring liability. Improper installation, adjustment, alteration, service or maintenance can cause property damage or personal injury. Installation and service must be performed by a qualified installer and servicing agency.

SPECIFICATIONS

Oil Heating Performance	Model Number	Front Flue Rear Flue	ELO183BF101/114P48	ELO183BF135/150P60
			ELO183BR101/114P48	ELO183BR135/150P60
	Input - Btuh	Low Fire	101,000	134,000
		¹ High Fire	113,500	151,000
	Output - Btuh	Low Fire	85,000	113,000
		¹ High Fire	95,000	127,000
		² AFUE	83%	83%
		Flue Size Diameter - in.	6	6
		Temperature rise range	45 - 75°F	45 - 75°F
Oil Burner	Nozzle rating - US gph	Low Fire	.65	.85
		¹ High Fire	.75	1.00
	Nozzle spray angle	80° solid	80° solid	
	Oil Burner Pump	1 Stage	1 Stage	
	Oil Burner Pump Pressure - psig	140	140	
	Air Inlet Connection (diameter) - in.	4	4	
	Indoor Blower	Blower Motor Output - hp	1/2	3/4
Nominal add-on cooling - Tons		2.5 thru 4	3 to 5	
Blower wheel nom. diameter x width - in.		10 x 9	12 x 10	
Air Volume Range - cfm		650 - 1760	1225 - 2360	
³ Filter	Number of filters	1	1	
	Size of filters - in.	18 x 19 x 1	19 x 21 x 1	
Shipping weight - lbs. 1 package			225 Front Flue / 230 Rear Flue	270
Electrical	Characteristics		120V-60hz-1ph	120V-60hz-1ph
	Maximum Overcurrent Protection (amps)		15	15

OPTIONAL ACCESSORIES - ORDER SEPARATELY

Combustion Air Boot (4 in. diameter)		83W32	83W32
Oil Filters	10 micron without mounting bracket	81P89	81P89
	10 micron with mounting bracket	53P92	53P92
	Replacement cartridge - 10 micron, 45 gph	53P93	53P93
	Filter restriction indicator gauge	53P90	53P90
Two-Stage Oil Pump	without solenoid	65A44	65A44
	with solenoid	71M18	71M18

¹ Nozzle must be field provided for field conversion to higher heating input.² Annual Fuel Utilization Efficiency based on U.S. DOE test procedures and FTC labeling regulations. Isolated combustion system rating for non-weatherized furnaces.³ Cleanable flame type filters furnished.



PRODUCT CATALOG

**OIL FURNACES
ELO183DH
ELITE® SERIES**

Horizontal / Downflow
AFUE - 83%
Input - 101,000 to 154,000 Btuh

Page 9
April 2019
Supersedes February 2019

FEATURES

Heating System

- Beckett™ Flame-Retention AFG Oil Burner
- EZ Clean Heat Exchanger
- Alumina Silica Ceramic Fiber Combustion Chamber
- Flame Inspection Tube
- Barometric Draft Control

Controls

- Advanced Burner Control controls oil burner motor and igniter
- Cadmium Sulfide Cell Flame Detector
- Primary Safety Control
- Fan and Limit Control
- Terminal Strip
- Blower Cooling Relay
- 24V Transformer

Blower

- Multi-speed, direct-drive blower

Cabinet

- Pre-painted cabinet finish
- Heating section is insulated with foil faced insulation.
- Insulated Blower Compartment
- Front Flue Pipe Connection



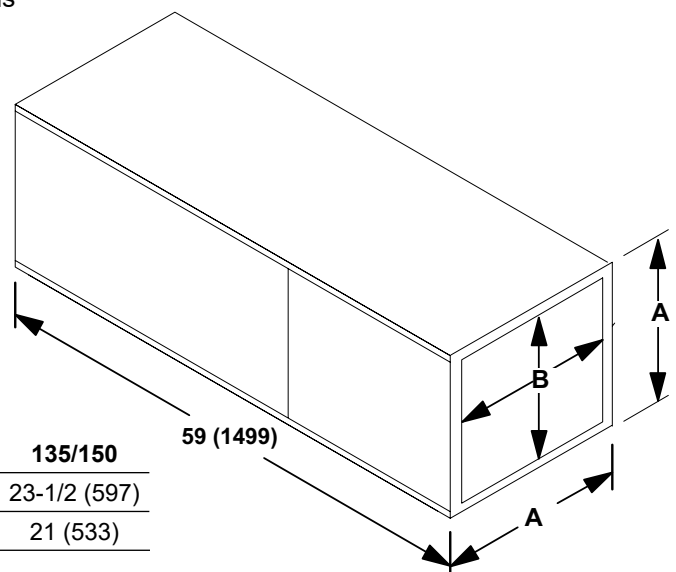
ACCESSORIES

- Downflow Combustible Floor Base
- Filter Kits
- Oil Filter
- Two-Stage Oil Pump
- Thermostat

LIMITED WARRANTY

Heat Exchanger - lifetime
 All other covered components - five years
 Refer to Lennox Equipment Limited Warranty certificate included with equipment for details

DIMENSIONS



Model No.	101/114	135/150
A	20-1/2 (521)	23-1/2 (597)
B	18 (457)	21 (533)

NOTE - Due to Lennox' ongoing commitment to quality, Specifications, Ratings and Dimensions subject to change without notice and without incurring liability. Improper installation, adjustment, alteration, service or maintenance can cause property damage or personal injury. Installation and service must be performed by a qualified installer and servicing agency.

SPECIFICATIONS

		Model Number	ELO183DH101/114P36	ELO183DH135/150P60
Oil Heating Performance	Input - Btuh	Low Fire	101,000	135,000
		¹ High Fire	113,500	150,000
	Output - Btuh	Low Fire	85,000	113,000
		¹ High Fire	95,000	126,000
		² AFUE	83%	83%
		Flue Size Diameter - in.	6	6
		Temperature rise range	45 - 75°F	45 - 75°F
Oil Burner	Nozzle rating - US gph	Low Fire	.65	.85
		² High Fire	.75	1.00
		Nozzle spray angle	80° solid	80° solid
		Oil Burner Pump	1 Stage	1 Stage
		Oil Burner Pump Pressure - psig	140	140
Indoor Blower		Blower Motor Output - hp	1/2	3/4
		Nominal add-on cooling - Tons	2 to 3	3 to 5
		Blower wheel nom. diameter x width - in.	10 x 10	12 x 9
		Air Volume Range - cfm	545 - 1410	1100 - 2205
Shipping weight - lbs. 1 package			250	270
Electrical	Characteristics		120V-60hz-1ph	120V-60hz-1ph
	Maximum Overcurrent Protection (amps)		15	15

OPTIONAL ACCESSORIES - ORDER SEPARATELY

Downflow Combustible Flooring Base		35K07	35K08
Filter Kit		35K05	35K06
	Number & size of filters - in.	(2) 10-1/4 x 20-1/2 x 1	(2) 11-3/4 x 23-1/2 x 1
Oil Filters	10 micron without mounting bracket	81P89	81P89
	10 micron with mounting bracket	53P92	53P92
	Replacement cartridge - 10 micron, 45 gph	53P93	53P93
	Filter restriction indicator gauge	53P90	53P90
Two-Stage Oil Pump	without solenoid	65A44	65A44
	with solenoid	71M18	71M18

¹ Nozzle must be field provided for field conversion to higher heating input.

² Annual Fuel Utilization Efficiency based on U.S. DOE test procedures and FTC labeling regulations. Isolated combustion system rating for non-weatherized furnaces.



NOTE – Due to Lennox' ongoing commitment to quality, Specifications, Ratings and Dimensions subject to change without notice and without incurring liability. Improper installation, adjustment, alteration, service or maintenance can cause property damage or personal injury. Installation and service must be performed by a qualified installer and servicing agency.



PRODUCT CATALOG

Gas-Fired, Modulating, Condensing, Wall Hung Hot Water Boiler
AFUE - 95%
Input - 50,000 to 200,000 Btuh

Page 1
April 2019
Supersedes February 2019

FEATURES

Heating System

- Direct Vent Sealed Combustion System
- Stainless Steel Helical Heat Exchanger Assembly
- Stainless Steel Mesh Modulating Burner
- Direct Spark Igniter
- Casting Temperature Safety Switch
- 24 Volt Gas Control Valve
- Combustion Air Blower
- CPVC Flue Condensate Collector
- Pressure Relief Valve and Air Vent
- Flame Rollout Switch
- Combination Temperature/Pressure Gauge
- Brass Drain Valve
- Vent Temperature Sensor
- LPG/Propane Kit Furnished
- Integrated Primary/Secondary Piping With Pump
- Circulating Pump

Controls

- Fully Modulating Electronic Control
- User Interface Control
- LCD Display
- Flame Sensor
- Integrated Low Water Cutoff Control
- 24V Transformer
- Supply Water Switch
- Return Water Temperature Sensor
- Terminal Block
- High Voltage Junction Box



Cabinet

- Heavy-gauge steel with baked-on enamel finish.
- Wall Hanging Support Bracket



ACCESSORIES

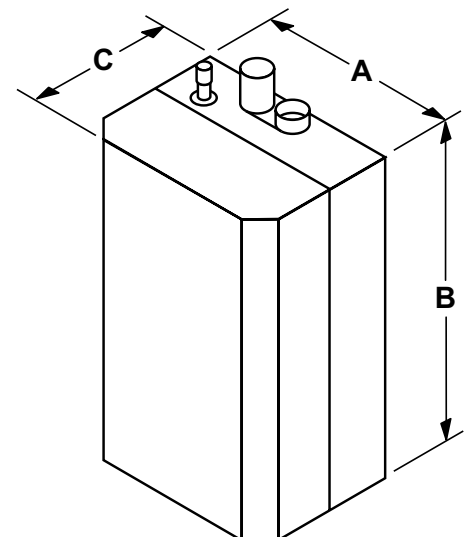
- Concentric Termination Kit
- High Altitude Control Module
- Thermostat

WARRANTY

Cast Aluminum Boiler Assembly - fifteen years
 All other covered components - ten years
 Refer to Lennox Equipment Limited Warranty certificate included with equipment for details

Model No	A	B	C	D
GWM-050IE	20	31	14	28
GWM-075IE	(508)	(787)	(356)	(711)
GWM-100IE				
GWM-150IE	23	42	16	40
GWM-200IE	(584)	(109)	(406)	(1016)

DIMENSIONS



NOTE - Due to Lennox' ongoing commitment to quality, Specifications, Ratings and Dimensions subject to change without notice and without incurring liability. Improper installation, adjustment, alteration, service or maintenance can cause property damage or personal injury. Installation and service must be performed by a qualified installer and servicing agency.

SPECIFICATIONS

Model No.		GWM-050IE	GWM-075IE	GWM-100IE	GWM-150IE	GWM-200IE
Gas Heating Performance	Heating capacity input Btuh (Maximum)	50,000	75,000	100,000	150,000	200,000
	Btuh (Minimum)	10,000	15,000	20,000	30,000	40,000
	Heating capacity output - Btuh	46,000	69,000	91,000	139,000	185,000
	¹ Net AHRI I=B=R rating - Btuh	40	50	79	121	161
	² AFUE	95%	95%	95%	95%	95%
Connections in.	Flue size diameter (round)	2	2	2	3	3
	Gas piping size	1/2 NPT	1/2 NPT	1/2 NPT	3/4 NPT	3/4 NPT
	Water supply and return size	1-1/4 NPT	1-1/4 NPT	1-1/4 NPT	1-1/4 NPT	1-1/4 NPT
	Drain connection size	3/4 NPT	3/4 NPT	3/4 NPT	3/4 NPT	3/4 NPT
Electrical characteristics		120 volts - 60 hertz - 1 phase (less than 12 amps)				
Shipping Data	lbs. - 1 package	111	111	111	182	182

OPTIONAL ACCESSORIES

Concentric Termination Kit	U.S. - 2 inch	69M29	69M29	69M29	---	---
	3 inch	---	60L46	60L46	60L46	60L46
	Canada - 2 inch	44W92	44W92	44W92	---	---
	3 inch	---	44W93	44W93	44W93	44W93
High Altitude Control Module (2000-4500 ft.)		12Y86	12Y86	12Y86	12Y86	12Y86

¹ AHRI I=B=R ratings indicate the amount of equivalent direct radiation each boiler will produce under normal conditions and thermostatic control. Ratings based on an allowance of 1.15 in accordance with the factors shown on the I=B=R Standard as published by The Hydronics Institute. Selection of boiler size should be based on "Net I=B=R Rating" being equal to or greater than the calculated heat loss of the building.

² Heating Capacity and AFUE (Annual Fuel Utilization Efficiency) based on U.S. DOE test procedures and FTC labeling regulations.

NOTE - Termination Kits **44W92**, **44W93** are certified to ULC S636 standard for use in Canada only.





PRODUCT CATALOG

Gas-Fired - Hot Water Boiler
AFUE - 90%
Input - 50,000 to 100,000 Btuh

Page 3
April 2019
Supersedes February 2019

FEATURES

Heating System

- Direct Vent Sealed Combustion System
- Cast Aluminium Boiler Assembly
- Stainless Steel Premix Inshot Burner
- 24 Volt Gas Control Valve
- Hot Surface Igniter
- Induced Draft Blower
- Differential Pressure Air Proving Switch/Blocked Vent Safety Shutoff
- Pressure Relief Valve/Air Vent
- Combination Temperature/Pressure Gauge
- Circulating Pump
- Vent Temperature Safety Switch
- Brass Drain Valve
- Condensate Trap

Controls

- Integrated Boiler Control Module
- Thermal Purge Operation
- Casting Temperature Safety Switch
- Hydrostat Combination High Limit Control / Low Water Cut Off With Boiler Temperature Reset
- Induced Draft Blower Temperature Safety Switch
- 24V Transformer
- Junction Box

Cabinet

Heavy-gauge steel with baked-on enamel finish.



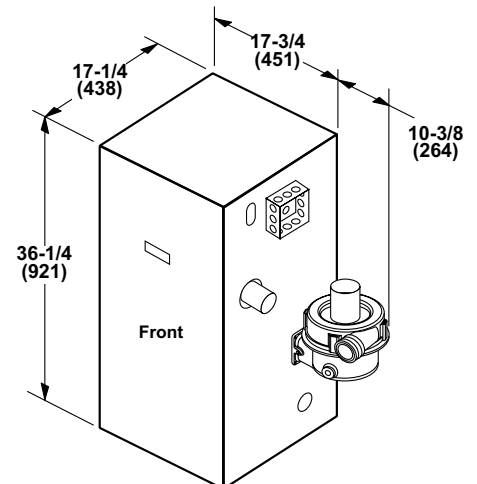
ACCESSORIES

- Concentric Termination Kit
- LPG/Propane Conversion Kit
- Thermostat

WARRANTY

Cast Aluminum Boiler Assembly - fifteen years
All other covered components - ten years
Refer to Lennox Equipment Limited Warranty certificate included with equipment for details

DIMENSIONS



NOTE - Due to Lennox' ongoing commitment to quality, Specifications, Ratings and Dimensions subject to change without notice and without incurring liability. Improper installation, adjustment, alteration, service or maintenance can cause property damage or personal injury. Installation and service must be performed by a qualified installer and servicing agency.

SPECIFICATIONS

Model No.		GWB9-050IH-3	GWB9-075IH-3	GWB9-100IH-3
Gas Heating Performance	Heating capacity input - Btuh	50,000	75,000	100,000
	Heating capacity output - Btuh	45,000	68,000	90,000
	¹ Net AHRI I=B=R rating - Btuh	39,000	59,000	78,000
	² AFUE	90%	90%	90%
Boiler Data	Number of boiler sections	2	2	2
	Boiler capacity	2.6 US gallons	2.6 US gallons	2.6 US gallons
Connections in.	³ Flue size connection diameter - round	2	2	2
	Gas piping size I.P.S.	1/2	1/2	1/2
	Water supply and return connection size	1-1/4 NPT	1-1/4 NPT	1-1/4 NPT
	Drain connection size	3/4 NPT	3/4 NPT	3/4 NPT
Electrical characteristics		120 volts - 60 hertz - 1 phase (less than 12 amps)		
Shipping Data	lbs. - 1 package	220	220	220

OPTIONAL ACCESSORIES

Concentric Vent Kit	U.S. - 2 inch	69M29	69M29	69M29
	3 inch	60L46	60L46	60L46
	Canada - 2 inch	44W92	44W92	44W92
	3 inch	44W93	44W93	44W93
LPG/Propane Conversion Kit	0 - 10,000 ft	75E01	---	10T27
	0 - 5000 ft	---	70E01	---
	5001 - 10,000 ft	---	77E01	---

See Lennox Price Book For Complete Listing of Optional Accessories (Expansion Tanks, Valves, Circulator Pumps, etc.)

¹ AHRI I=B=R ratings indicate the amount of equivalent direct radiation each boiler will produce under normal conditions and thermostatic control. Ratings based on an allowance of 1.15 in accordance with the factors shown on the I=B=R Standard as published by The Hydronics Institute. Selection of boiler size should be based on "Net I=B=R Rating" being equal to or greater than the calculated heat loss of the building.

² Heating Capacity and AFUE (Annual Fuel Utilization Efficiency) based on U.S. DOE test procedures and FTC labeling regulations.

³ CPVC pipe MUST be used in the first five feet. Unit ships with 5 ft. of 2 in. CPVC pipe, one 2 in CPVC coupling, one nipple and one elbow.

NOTE - Termination Kits **44W92**, **44W93** are certified to ULC S636 standard for use in Canada only.





PRODUCT CATALOG

Gas-Fired - Hot Water Boiler
AFUE - Up to 84.4%
Input - 42,000 to 225,000 Btuh

Page 5
April 2019
Supersedes February 2019

FEATURES

Heating System

- Cast Iron Boiler Assembly
- Titanium Burners
- Automatic Gas Control Valve
- Electronic Ignition
- Induced Draft Blower
- Pressure Relief Valve
- Flame Rollout Switch
- Combination Temperature/Pressure Gauge
- Circulating Pump (shipped separately)
- Brass Drain Valve

Controls

- Integrated Boiler Control Module
- Limit Sensor
- Transformer

Cabinet

- Heavy-gauge steel with baked-on enamel finish.
- Fully insulated with fiberglass insulation.



ACCESSORIES

- Combustible Flooring Base
- LPG/Propane Conversion Kit
- Thermostat

WARRANTY

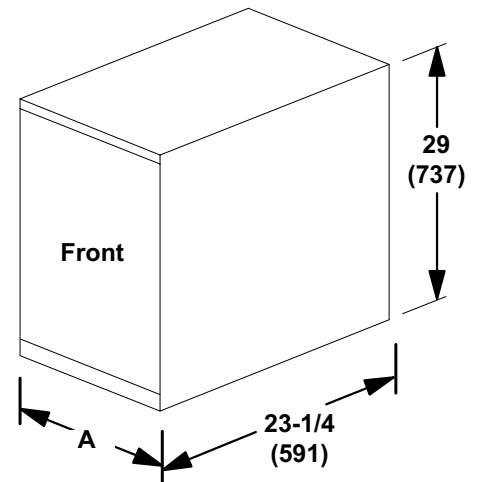
Cast Iron Boiler Assembly -
twenty years

All other covered components -
five years

Refer to Lennox Equipment Limited
Warranty certificate included with
equipment for details

Model No	A	B	C
042IE-2	11 (280)	23-1/4 (591)	29 (737)
075IE-2	14-1/4 (362)	23-1/4 (591)	29 (737)
112IE-2	17-1/2 (445)	23-1/4 (591)	29 (737)
150IE-2	20-3/4 (527)	23-1/4 (591)	29 (737)
187IE-2	24 (610)	23-1/4 (591)	29 (737)
225IE-2	27-1/4 (705)	23-1/4 (591)	29 (737)

DIMENSIONS



NOTE - Due to Lennox' ongoing commitment to quality, Specifications, Ratings and Dimensions subject to change without notice and without incurring liability. Improper installation, adjustment, alteration, service or maintenance can cause property damage or personal injury. Installation and service must be performed by a qualified installer and servicing agency.

SPECIFICATIONS

Model No.		GWB8 -042IE-2	GWB8 -075IE-2	GWB8 -112IE-2	GWB8 -150IE-2	GWB8 -187IE-2	GWB8 -225IE-2	
Gas Heating Performance	Heating capacity input - Btuh	42,500	75,000	112,500	150,000	187,500	225,000	
	Heating capacity output - Btuh	36,000	63,000	94,000	125,000	155,000	186,000	
	¹ Net AHRI I=B=R rating - Btuh	31,000	55,000	82,000	109,000	135,000	162,000	
	² AFUE	84.4%	83.4%	83.0%	82.7%	82.3%	82.0%	
Boiler Data	Number of boiler sections	2	3	4	5	6	7	
	Net boiler heating surface - sq. ft.	4.61	8.17	11.73	15.29	18.85	22.41	
	Boiler capacity - U.S. gallons	1.75	3.00	4.25	5.50	6.75	8.00	
Connections in.	³ Flue Size diameter (round)	Conventional	4	4	4	4	4	
		Horizontal	3	3	3	3	4	4
	Gas piping size I.P.S.	Natural gas	1/2	1/2	1/2	1/2	3/4	3/4
		LPG/Propane	3/4	3/4	3/4	3/4	3/4	3/4
	Water supply and return size	1-1/4 NPT	1-1/4 NPT	1-1/4 NPT	1-1/4 NPT	1-1/4 NPT	1-1/4 NPT	
	Drain connection size	3/4 NPT	3/4 NPT	3/4 NPT	3/4 NPT	3/4 NPT	3/4 NPT	
Electrical characteristics	120 volts - 60 hertz - 1 phase (less than 12 amps)							
Shipping Data	lbs. - 1 package	232	290	355	426	493	569	

OPTIONAL ACCESSORIES

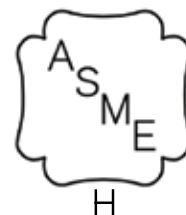
See Lennox Price Book For Complete Listing of Optional Accessories

LPG/Propane Conversion Kit	Standard (0-5000 ft.)	72M81	72M81	72M81	72M81	72M81	72M81
	High Altitude (5000+ ft.)	54L58	54L58	54L58	54L58	54L58	54L58
Combustible Flooring Base		N/A	N/A	N/A	N/A	18P26	18P26
Sidewall Power Venting	Venting Kit	79J15	79J15	79J15	79J15	N/A	N/A

¹ Net AHRI water ratings indicate the amount of equivalent direct radiation each boiler will produce under normal conditions and thermostatic control. Ratings based on an allowance of 1.15 in accordance with the factors shown on the I=B=R Standard as published by The Hydronics Institute. Selection of boiler size should be based on "Net I=B=R Rating" being equal to or greater than the calculated heat loss of the building.

² Annual Fuel Utilization Efficiency based on U.S. DOE test procedures and FTC labeling regulations.

³ 3 in. to 4 in. adaptor furnished for flue connection to induced draft blower.



NOTE - Due to Lennox' ongoing commitment to quality, Specifications, Ratings and Dimensions subject to change without notice and without incurring liability. Improper installation, adjustment, alteration, service or maintenance can cause property damage or personal injury. Installation and service must be performed by a qualified installer and servicing agency.



PRODUCT CATALOG

Gas-Fired - Hot Water Boiler
AFUE - Up to 83.9%
Input - 50,000 to 299,000 Btuh

Page 7
April 2019
Supersedes February 2019

FEATURES

Heating System

- Cast Iron Boiler Assembly
- Stainless Steel Burners (050 to 200 models)
- Titanium Burners (262 and 299 models)
- Automatic Gas Control Valve
- Relief Valve
- Combination Temperature/Pressure Gauge
- Circulating Pump (shipped separately)
- Brass Drain Valve

Venting

- Blocked Vent Shutoff Sensor
- Integral Draft Hood
- Vent Damper

Controls

- Boiler Control Module with LED Readout and Status Lights
- Ignition Control Module
- Flame Rollout Switch
- Limit Sensor
- Transformer
- Junction Box

Cabinet

- Heavy-gauge steel with baked-on enamel finish.
- Fully insulated with fiberglass insulation.



ACCESSORIES

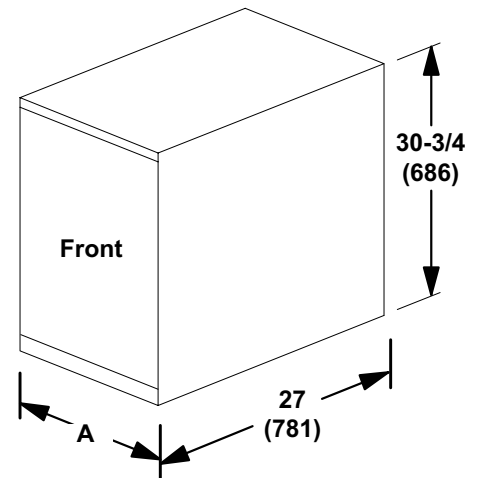
- LPG/Propane Conversion Kit
- Thermostat

WARRANTY

Cast Iron Boiler Assembly - twenty years
 All other covered components - five years
 Refer to Lennox Equipment Limited Warranty certificate included with equipment for details

Model No	A
050E-3	11-1/8 (283)
075E-3	15 (381)
100E-3	15 (381)
125E-3	18-7/8 (479)
150E-3	18-7/8 (479)
170E-3	22-3/4 (578)
200E-3	22-3/4 (578)
262E-3	27-1/2 (699)
299E-3	30-3/4 (781)

DIMENSIONS



NOTE - Due to Lennox' ongoing commitment to quality, Specifications, Ratings and Dimensions subject to change without notice and without incurring liability. Improper installation, adjustment, alteration, service or maintenance can cause property damage or personal injury. Installation and service must be performed by a qualified installer and servicing agency.

SPECIFICATIONS

		Model No.	GWB8-050E-3	GWB8-075E-3	GWB8-100E-3	GWB8-125E-3	GWB8-150E-3
Gas Heating Performance	Heating capacity input - Btuh		50,000	75,000	100,000	125,000	150,000
	Heating capacity output - Btuh		42,000	63,000	83,000	104,000	124,000
	¹ Net AHRI I=B=R rating - Btuh		37,000	55,000	72,000	90,000	108,000
	² AFUE		83.5%	83.1%	83.0%	82.0%	83.0%
Boiler Data	Number of boiler sections		2	3	3	4	4
	Boiler capacity - U.S. gallons		2.4	4.0	4.0	5.6	5.6
Connections in.	Flue Size diameter (round)		4	5	6	6	7
	Gas piping size I.P.S.	Natural gas	1/2 NPT	1/2 NPT	1/2 NPT	1/2 NPT	1/2 NPT
		LPG/Propane	1/2 NPT	1/2 NPT	1/2 NPT	1/2 NPT	1/2 NPT
	Water supply and return size		1-1/4 NPT	1-1/4 NPT	1-1/4 NPT	1-1/4 NPT	1-1/4 NPT
	Drain connection size		3/4 NPT	3/4 NPT	3/4 NPT	3/4 NPT	3/4 NPT
Electrical characteristics		120 volts - 60 hertz - 1 phase (less than 12 amps)					
Shipping Data	lbs. - 1 package		205	253	253	315	315

OPTIONAL ACCESSORIES

See Lennox Price Book For Complete Listing of Optional Accessories

LPG/Propane Conversion Kit	68E01	76E01	68E01	71E01	68E01
-----------------------------------	--------------	--------------	--------------	--------------	--------------

¹ Net AHRI water ratings indicate the amount of equivalent direct radiation each boiler will produce under normal conditions and thermostatic control. Ratings based on an allowance of 1.15 in accordance with the factors shown on the I=B=R Standard as published by The Hydronics Institute. Selection of boiler size should be based on "Net I=B=R Rating" being equal to or greater than the calculated heat loss of the building.

² Annual Fuel Utilization Efficiency based on U.S. DOE test procedures and FTC labeling regulations.

SPECIFICATIONS

		Model No.	GWB8-170E-3	GWB8-200E-3	GWB8-262E-3	GWB8-299E-3
Gas Heating Performance	Heating capacity input - Btuh		170,000	200,000	262,000	299,000
	Heating capacity output - Btuh		139,000	165,000	220,000	251,000
	¹ Net I=B=R rating - Btuh		121,000	143,000	191,000	218,000
	² AFUE		82.0%	82.0%	83.9%	83.7%
Boiler Data	Number of boiler sections		5	5	8	9
	Boiler capacity - U.S. gallons		7.2	7.2	12.7	14.4
Connections in.	Flue Size diameter (round)		7	8	7	7
	Gas piping size I.P.S.	Natural gas	1/2 NPT	1/2 NPT	3/4 NPT	3/4 NPT
		LPG/Propane	1/2 NPT	1/2 NPT	1/2 NPT	1/2 NPT
	Water supply and return size		1-1/4 NPT	1-1/4 NPT	1-1/4 NPT	1-1/4 NPT
	Drain connection size		3/4 NPT	3/4 NPT	3/4 NPT	3/4 NPT
Electrical characteristics		120 volts - 60 hertz - 1 phase (less than 12 amps)				
Shipping Data	lbs. - 1 package		377	377	552	616

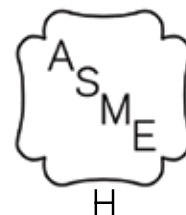
OPTIONAL ACCESSORIES

See Lennox Price Book For Complete Listing of Optional Accessories

LPG/Propane Conversion Kit	71E01	68E01	72E01	74E01
-----------------------------------	--------------	--------------	--------------	--------------

¹ Net AHRI water ratings indicate the amount of equivalent direct radiation each boiler will produce under normal conditions and thermostatic control. Ratings based on an allowance of 1.15 in accordance with the factors shown on the I=B=R Standard as published by The Hydronics Institute. Selection of boiler size should be based on "Net I=B=R Rating" being equal to or greater than the calculated heat loss of the building.

² Annual Fuel Utilization Efficiency based on U.S. DOE test procedures and FTC labeling regulations.



NOTE - Due to Lennox' ongoing commitment to quality, Specifications, Ratings and Dimensions subject to change without notice and without incurring liability. Improper installation, adjustment, alteration, service or maintenance can cause property damage or personal injury. Installation and service must be performed by a qualified installer and servicing agency.



PRODUCT CATALOG

Gas-Fired - Steam Boiler
AFUE - Up to 82.7%
Input - 75,000 to 299,000 Btuh

Page 9
April 2019
Supersedes February 2019

NOTE - Not Available In Canada!

FEATURES

Heating System

- Cast Iron Boiler Sections
- Titanium Burners
- Automatic Gas Control Valve
- Pressure Relief Valve
- Brass Drain Valve
- Steam Pressure Gauge
- Low Water Cut-Off
- Water Level Gauge
- Motorized Vent Damper

Controls

- Electronic Ignition
- Flame Rollout Switch
- Steam Pressure Limit Control
- Low Water Cut-Off
- Transformer
- Wiring Junction Box

Venting

- Blocked Vent Shutoff Sensor
- Vent Damper

Cabinet

- Heavy-gauge steel with baked-on enamel finish.
- Fully insulated with fiberglass insulation.



ACCESSORIES

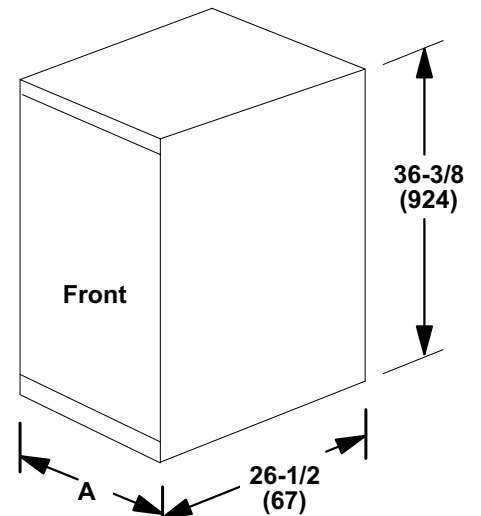
- Combustible Flooring Base
- LPG/Propane Conversion Kit
- Thermostat

WARRANTY

Cast Iron Boiler Assembly - twelve years
All other covered components - five years
Refer to Lennox Equipment Limited Warranty certificate included with equipment for details

Model No	A
75E	11-1/4 (286)
112E	14-1/2 (368)
150E	17-3/4 (451)
187E	21 (533)
225E	24-1/4 (616)
262E	27-1/2 (699)
299E	30-3/4 (781)

DIMENSIONS



NOTE - Due to Lennox' ongoing commitment to quality, Specifications, Ratings and Dimensions subject to change without notice and without incurring liability. Improper installation, adjustment, alteration, service or maintenance can cause property damage or personal injury. Installation and service must be performed by a qualified installer and servicing agency.

SPECIFICATIONS

			Model No.	GSB8 -075E	GSB8 -112E	GSB8 -150E	GSB8 -187E	GSB8 -225E	GSB8 -262E	GSB8 -299E	
Gas Heating Performance	Heating capacity Btuh	Input	Natural gas	75,000	112,500	150,000	187,000	225,000	262,500	299,000	
			LPG/Propane	70,000	105,000	140,000	175,000	210,000	245,000	280,000	
		Output	Natural gas	62,000	91,000	122,000	153,000	183,000	214,000	245,000	
			LPG/Propane	58,000	85,000	114,000	143,000	171,000	200,000	229,000	
	¹ Net AHRI I=B=R rating - Btuh		Natural gas	47,000	68,000	92,000	115,000	137,000	161,000	184,000	
			LPG/Propane	44,000	64,000	86,000	107,000	128,000	150,000	172,000	
	¹ Net AHRI I=B=R rating - sq. ft. radiation		Natural gas	196	283	383	479	571	671	767	
			LPG/Propane	183	267	358	446	553	625	717	
				² AFUE	82.7%	82.0%	82.0%	82.0%	82.0%	82.0%	82.0%
	Boiler Data	Number of boiler sections			3	4	5	6	7	8	9
Boiler capacity - U.S. gallons		Full		4.2	5.90	7.60	9.30	11.00	12.70	14.40	
		Water level		2.6	3.80	5.00	6.20	7.40	8.60	9.80	
Connections in.	Flue size diameter (round)			5	6	6	7	7	7	7	
	Gas piping	Natural gas		1/2	1/2	1/2	3/4	3/4	3/4	3/4	
		LPG/Propane		1/2	1/2	1/2	3/4	3/4	3/4	3/4	
	Water supply size			2-1/2 NPT							
	Water return size			2-1/2 NPT							
	Drain size			3/4 NPT							
Electrical characteristics				120 volts - 60 hertz - 1 phase (less than 12 amps)							
Shipping weight - lbs. 1 package				325	404	483	564	649	719	800	

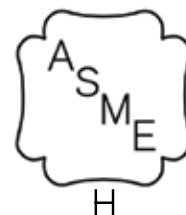
OPTIONAL ACCESSORIES

See Lennox Price Book For Complete Listing of Optional Accessories

LPG/Propane Conversion Kit	Standard Kit	57L60	54L59	54L61	54L63	54L65	54L67	54L69
	High Altitude (over 5000 ft.)	57L61	54L60	54L62	54L64	54L66	54L68	54L70
Combustible Flooring Base		N/A	N/A	N/A	N/A	18P26	18P26	18P26

¹ Net AHRI steam ratings indicate the amount of equivalent direct radiation each boiler will produce under normal conditions and thermostatic control. Steam ratings based on an allowance of 1.333 in accordance with the factors shown on the I=B=R Standard as published by The Hydronics Institute. Selection of boiler size should be based on "Net I=B=R Rating" being equal to or greater than installed radiation in square feet.

² Annual Fuel Utilization Efficiency based on U.S. DOE test procedures and FTC labeling regulations.





PRODUCT CATALOG

Oil-Fired - Hot Water Boiler
AFUE - Up to 85.2%
Input - 105,000 to 245,000 Btuh

Page 11
April 2019
Supersedes February 2019

FEATURES

Heating System

- Cast Iron Boiler Assembly
- Beckett Oil Burner
- Pressure Relief Valve
- Combination Temperature/Pressure Gauge
- Circulating Pump
- Brass Drain Valve
- Flue Brush

Venting

- Barometric Draft Control

Controls

- High Limit and Circulator Relay Control

Cabinet

- Heavy gauge steel with baked-on enamel finish.
- Fully insulated with fiberglass insulation.



ACCESSORIES

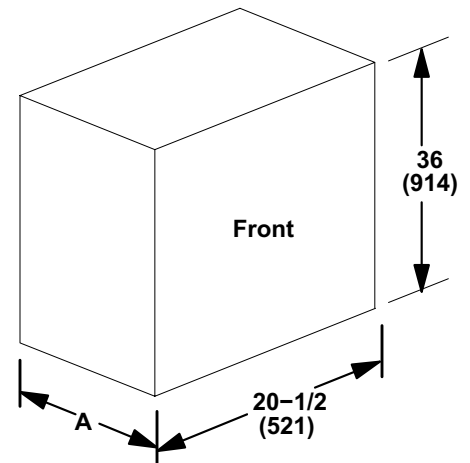
- Tankless Hot Water Coil
- Thermostat

WARRANTY

Cast Iron Boiler Assembly - twenty years
 All other covered components - five years
 Refer to Lennox Equipment Limited Warranty certificate included with equipment for details

Model No	A	Overall Depth
COWB3-3	14-1/2 (368)	28-1/4 (718)
COWB3-4	17-3/4 (451)	31-1/2 (800)
COWB3-5	21 (533)	34-3/4 (883)

DIMENSIONS



NOTE - Due to Lennox' ongoing commitment to quality, Specifications, Ratings and Dimensions subject to change without notice and without incurring liability. Improper installation, adjustment, alteration, service or maintenance can cause property damage or personal injury. Installation and service must be performed by a qualified installer and servicing agency.

SPECIFICATIONS

		Model No.	COWB3-3	COWB3-4	COWB3-5
Oil Heating Performance	Input - Btuh	Low Fire Nozzle	105,000	175,000	245,000
		High Fire Nozzle	140,000	210,000	---
	¹ Output - Btuh	Low Fire Nozzle	92,000	151,000	210,000
		High Fire Nozzle	120,000	179,000	---
	² Net AHRI I=B=R rating - Btuh	Low Fire Nozzle	80,000	131,000	183,000
		High Fire Nozzle	104,000	156,000	---
	³ AFUE	Low Fire Nozzle	85.2%	85.0%	84.3%
		High Fire Nozzle	84.0%	84.0%	---
Boiler	Number of boiler sections		3	4	5
	Net boiler heating surface - sq. ft.		18.54	25.16	31.78
	Boiler capacity - U.S. gallons		9.6	11.6	13.7
⁴ Nozzle Ratings	U.S. gallons/min. Low Fire Nozzle		0.75	1.25	1.75
	High Fire Nozzle		1.00	1.50	---
Oil Burner Pump	Factory setting 100 psi		1 stage	1 stage	1 stage
Connections in.	Oil piping size N.P.T.		1/4	1/4	1/4
	Flue size diameter		6	6	6
	Water supply size N.P.T.		1-1/4	1-1/4	1-1/4
	Water return size N.P.T.		1-1/4	1-1/4	1-1/4
	Drain connection size N.P.T.		3/4	3/4	3/4
Shipping Data - lbs. (1 package)			492	575	673
Electrical characteristics			120 volts - 60 hertz - 1 phase (less than 12 amps)		

OPTIONAL ACCESSORIES

See Lennox Price Book For Complete Listing of Optional Accessories

⁵ Tankless Water Heater	Catalog Number	27M20	27M20	27M20
	U.S. gallons/min. Low Fire Nozzle	3.00	3.50	4.00
	High Fire Nozzle	3.25	3.75	4.25

NOTE - Circulating pump is not furnished in Canada and must be field supplied.

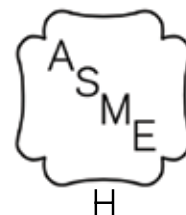
¹ Heating capacity based on 13% CO₂ with 0.02 in. w.g. draft over fire and #1 smoke or less.

² Net AHRI ratings indicate the amount of equivalent direct radiation each boiler will produce under normal conditions and thermostatic control. Ratings based on an allowance of 1.15 in accordance with the factors shown on the I=B=R Standard as published by The Hydronics Institute. Selection of boiler size should be based on "Net I=B=R Rating" being equal to or greater than the calculated heat loss of the building.

³ Annual Fuel Utilization Efficiency based on U.S. DOE test procedures and FTC labelling regulations.

⁴ Based on 140,000 Btuh per gallon.

⁵ Water heated from 40°F to 140°F with 200°F boiler water temperature, intermittent draw.





PRODUCT CATALOG

Residential Hot Water Air Handler
Heating Capacity - 23,700 to 220,000 Btuh
Add-On Cooling - 2 - 5 Tons

Page 13
April 2019
Supersedes February 2019

FEATURES

CBWMV can be used with properly sized gas-fired or oil-fired water heating devices.

Hot water is circulated through the CBWMV hot water coil, supply air blower moves the return air past the coil to extract the heat and then distribute the heated air throughout the conditioned space.

Cannot be used with potable water.

Multi-position

Lennox add-on indoor coil with remote air conditioners, air cleaners, automatic humidifier, and all Lennox Indoor Air Quality products can easily be added for a complete, all-season system.

Heating System

Hot Water Coil - Seamless, corrosion resistant copper tubes with corrugated/lanced aluminum fins.

Freezestat

Controls

Electronic Blower Control

24 Volt Transformer

Blower/Pump Control

Blower

Variable-speed, Direct-Drive Blower

Cabinet

Heavy gauge steel construction with and baked-on enamel paint finish.

Foil faced fiberglass insulation on hot water coil access door panel, side panels and on back panel.

Black mat faced fiberglass in blower compartment.

Field Make-up Box



ACCESSORIES

Cabinet

- Horizontal Support Frame Kit
- RAB Return Air Base
- Air Filter and Rack Kit (Horizontal)
- Air Filter and Rack Kit (Upflow)
- EZ Filter Base (Upflow)

Heating System

- Circulating Pump
- Freezestat

Controls

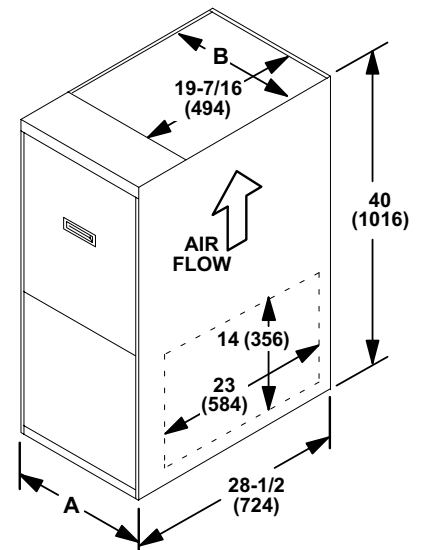
- ComfortSense® 7500 Thermostat
- Thermostat

WARRANTY

All covered components - ten years
Refer to Lennox Equipment Limited
Warranty certificate included with
equipment for details.

DIMENSIONS

		"B" Width	"C" Width
A		17-1/2 (446)	21 (533)
B		16-3/8 (416)	19-7/8 (454)
Bottom return	Width	16 (406)	19-1/2 (495)
	Depth	23-1/2 (597)	23-1/2 (597)



NOTE - Due to Lennox' ongoing commitment to quality, Specifications, Ratings and Dimensions subject to change without notice and without incurring liability. Improper installation, adjustment, alteration, service or maintenance can cause property damage or personal injury. Installation and service must be performed by a qualified installer and servicing agency.

SPECIFICATIONS

Model No.		CBWMV -24B-040	CBWMV -36B-070	CBWMV -36C-090	CBWMV -60C-100	CBWMV -60C-120
Heating Performance	Nominal heating capacity - Btuh	40,000	70,000	90,000	100,000	120,000
	¹ Temperature rise range - °F	32 - 101	45 - 125	51 - 125	41 - 113	45 - 125
Indoor Blower	Wheel nominal diameter x width - in.	10 x 8	10 x 8	10 x 8	11-1/2 x 10	11-1/2 x 10
	Blower motor output - hp	1/2	1/2	1/2	1	1
	Tons of add-on cooling	2 - 3	2 - 3	2 - 3	3.5 - 5	3.5 - 5
	Air volume range - cfm	510 - 1440	490 - 1430	520 - 1450	930 - 2200	930 - 2200
Heating Coil	Heating capacity range Btuh	23,700 - 84,700	30,300 - 123,800	31,400 - 138,400	49,600 - 181,700	55,000 - 220,000
	Net face area - sq. ft.	3.83	3.83	4.33	4.33	4.33
	Tube diameter & no. of rows - in.	3/8 - 1	3/8 - 2	3/8 - 2	3/8 - 2	3/8 - 3
	Fins per inch	16	16	16	16	16
Water Line Connections (sweat) - in. I.D.	Inlet	3/4	3/4	1	1	1
	Outlet	3/4	3/4	1	1	1
Shipping Data	lbs. - 1 package	127	144	157	157	165

ELECTRICAL DATA

Electrical characteristics	120 volts - 60 hertz - 1 phase				
² Maximum Overcurrent Protection	15	15	15	20	20
Minimum Circuit Ampacity	10.2	10.2	10.4	16.8	16.8

OPTIONAL ACCESSORIES (ORDER SEPARATELY)

³ Air Filter & Rack Kit Size of filter	Horizontal (end) - in.	87L96 18 x 25 x 1		87L97 20 x 25 x 1 in.		
	Side Return - in.	Single 44J22 or Ten Pack - (1) 16 x 25 x 1				
Circulating Pump	Catalog Number	99K69	99K69	53J76	53J76	53J76
	Motor output - hp	1/40	1/40	1/25	1/25	1/25
	Capacity - U.S. gpm	6	6	9.5	9.5	9.5
	Pressure drop thru coil @ rated flow - psi	3	3	3	3	3
EZ Filter Base	Catalog Number	73P56		73P57		
	Dimensions - H x W x D - in.	4 x 17-5/8 x 28-5/8		4 x 21-5/8 x 28-5/8		
	Size of field provided filter - in.	16 x 25 x 1		20 x 25 x 1		
Horizontal Support Frame Kit	56J18	56J18	56J18	56J18	56J18	
RAB Return Air Base	98M60	98M60	98M58	98M58	98M58	
ComfortSense® 7500 Thermostat	13H14	13H14	13H14	13H14	13H14	

¹ Minimum temperature rise is based off 140°F entering water temperature and the maximum heating air volume. Maximum temperature rise is based off 200°F entering water temperature and the minimum heating air volume using Harmony III™ Zone Control.

² HACR type breaker or fuse.

³ Cleanable polyurethane frame type filter.





PRODUCT CATALOG

AIR CONDITIONERS XC25

DAVE LENNOX SIGNATURE® COLLECTION

R-410A - Variable-Capacity Scroll Compressor
SEER - Up to 26.00
2 to 5 Tons

Page 1

April 2019

Supersedes February 2019

FEATURES

Refrigerant System

Variable capacity scroll compressor with crankcase heater and sound cover.

Non-chlorine, ozone friendly, R-410A refrigerant.

Copper tube construction with enhanced ripple-edged aluminum fins.

Super-quiet outdoor fan with SilentComfort™ Technology

Variable-speed outdoor fan motor and specially designed fan blades reduce operating sound levels.

PVC coated, steel fan guard.

Fully serviceable brass service valves.

Factory installed, hi-capacity liquid line drier.

iComfort® Communicating Control

iComfort® Control communicates information about the unit to the iComfort® thermostat (required).

DC Inverter Control adjusts compressor output in increments as small as 1%.

High Pressure Switch

Loss of Charge Switch

Precise Comfort™ Technology

The Variable Capacity Compressor and DC Inverter Control is an integrated system that operates together to reduce overall energy usage when compared to conventional air conditioners.

Cabinet

SmartHinge™ Louvered Coil Protection.

PermaGuard™ zinc-coated base.

Heavy-gauge galvanized steel cabinet with powder paint finish.



iComfort® S30 Ultra Smart Wi-Fi Thermostat required. Not furnished

AHRI RATINGS

See AHRI Ratings Supplement

REQUIRED CONTROLS

- iComfort® S30 Thermostat
- Discharge Air Temperature Sensor

ACCESSORIES

See page 23

Controls

- Freezestat

Refrigerant System

- Expansion Valve Kits
- Refrigerant Line Kits



LIMITED WARRANTY

Compressor - ten years

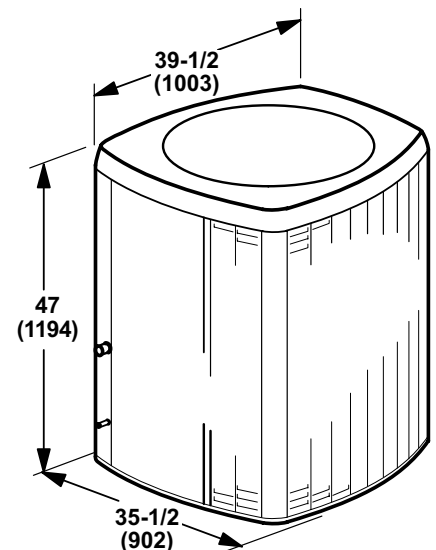
All covered components - ten years

Refer to Lennox Equipment Limited Warranty certificate included with equipment for details.

NOTE - The Dave Lennox Signature Collection XC25 Air Conditioner can only be used with the iComfort® S30 Thermostat.

NOTE - The XC25 can only be matched with iComfort® Communicating variable-speed indoor furnaces and air handlers.

DIMENSIONS



NOTE - Due to Lennox' ongoing commitment to quality, Specifications, Ratings and Dimensions subject to change without notice and without incurring liability. Improper installation, adjustment, alteration, service or maintenance can cause property damage or personal injury. Installation and service must be performed by a qualified installer and servicing agency.

SPECIFICATIONS

General Data		Model No.	XC25-024	XC25-036	XC25-048	XC25-060
Nominal Tonnage			2	3	4	5
Indoor Unit Expansion Valve (TXV) (If needed)			12J18	12J19	12J20	12J20
¹ Sound Rating Number (dB)	Min.		59	59	66	64
	Max.		70	73	74	74
Connections (sweat)	Liquid line (o.d.) - in.		3/8	3/8	3/8	3/8
	Suction line (o.d.) - in.		7/8	7/8	7/8	1-1/8
Refrigerant	² R-410A charge furnished		13 lbs. 10 oz.	10 lbs. 12 oz.	14 lbs. 8 oz.	12 lbs. 9 oz.
Outdoor Fan	Diameter - in.		26	26	26	26
	No. of blades		5	5	5	5
	Motor hp		1/3	1/3	1/3	1/3
Shipping Data - lbs. - 1 pkg.			303	303	330	330

ELECTRICAL DATA

Line voltage data - 60hz		208/230V-1ph	208/230V-1ph	208/230V-1ph	208/230V-1ph
³ Maximum overcurrent protection (amps)		25	30	50	50
⁴ Minimum circuit ampacity		14.9	19.5	32.9	34.1
Compressor	Rated load amps	10.3	14.0	24.7	25.7
	Locked rotor amps	18	18	29	29
	Power factor	0.97	0.98	0.99	0.99
Outdoor Fan Motor - Full load amps		2.0	2.0	2.0	2.0

REQUIRED COMPONENTS - ORDER SEPARATELY

iComfort® S30 Thermostat	12U67	12U67	12U67	12U67
⁵ Discharge Air Temperature Sensor	88K38	88K38	88K38	88K38

NOTE - Extremes of operating range are plus 10% and minus 5% of line voltage.

¹ Sound Rating Number in accordance with test conditions included in AHRI Standard 270.

² Refrigerant charge sufficient for 15 ft. length of refrigerant lines. For longer line set requirements see the Installation Instructions for information about line set length and additional refrigerant charge required.

³ HACR type breaker or fuse.

⁴ Refer to National or Canadian Electrical Code manual to determine wire, fuse and disconnect size requirements.

⁵ Optional for service diagnostics.



NOTE – Due to Lennox' ongoing commitment to quality, Specifications, Ratings and Dimensions subject to change without notice and without incurring liability. Improper installation, adjustment, alteration, service or maintenance can cause property damage or personal injury. Installation and service must be performed by a qualified installer and servicing agency.



PRODUCT CATALOG

AIR CONDITIONERS XC21

DAVE LENNOX SIGNATURE® COLLECTION

R-410A - Two-Stage Scroll Compressor
SEER - Up to 21.00
2 to 5 Tons

Page 3

April 2019

Supersedes February 2019

FEATURES

Refrigerant System

Two-Stage scroll compressor with crankcase heater.

Non-chlorine, ozone friendly, R-410A refrigerant.

Copper tube construction with enhanced ripple-edged aluminum fins.

Super-quiet outdoor fan with SilentComfort™ Technology.

Variable-speed outdoor fan motor and specially designed fan blades reduce operating sound levels.

PVC coated, steel fan guard.

Fully serviceable brass service valves.

Factory installed, hi-capacity liquid line drier.

iComfort® Communicating Control

iComfort® Control communicates information about the unit to the optional iComfort® thermostat.



High Pressure Switch.

Loss of Charge Switch.

Cabinet

Heavy-gauge galvanized steel cabinet with powder paint finish.

SmartHinge™ Louvered Coil Protection.

PermaGuard™ zinc-coated base.

Compressor and control box located in a separate compartment, insulated with thick fiberglass insulation.



AHRI RATINGS

See AHRI Ratings Supplement

ACCESSORIES

See page 23

Compressor

- Compressor Hard Start Kit
- Compressor Low Ambient Cut-Off
- Compressor Time-Off Control

Controls

- iComfort® S30 Thermostat
- Thermostat
- Freezestat
- Indoor Blower Off Delay Relay
- Indoor Blower Speed Relay Kit
- Low Ambient Kit

Refrigerant System

- Expansion Valve Kits
- Refrigerant Line Kits

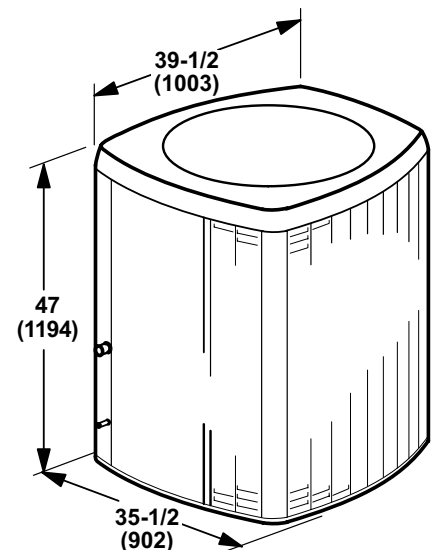
LIMITED WARRANTY

Compressor - ten years

All covered components - ten years

Refer to Lennox Equipment Limited Warranty certificate included with equipment for details.

DIMENSIONS



NOTE - Due to Lennox' ongoing commitment to quality, Specifications, Ratings and Dimensions subject to change without notice and without incurring liability. Improper installation, adjustment, alteration, service or maintenance can cause property damage or personal injury. Installation and service must be performed by a qualified installer and servicing agency.

SPECIFICATIONS

General Data	Model No.	XC21-024	XC21-036	XC21-048	XC21-060
Nominal Tonnage		2	3	4	5
Indoor Unit Expansion Valve (TXV) (If needed)		12J18	12J19	12J20	12J20
¹ Sound Rating Number (dB)		69	71	73	73
Connections (sweat)	Liquid line (o.d.) - in.	3/8	3/8	3/8	3/8
	Suction line (o.d.) - in.	7/8	7/8	7/8	1-1/8
Refrigerant	² R-410A charge furnished	11 lbs. 12 oz.	12 lbs. 5 oz.	13 lbs. 8 oz.	12 lbs. 8 oz.
Outdoor Fan	Diameter - in.	26	26	26	26
	No. of blades	5	5	5	5
	Motor hp	1/3	1/3	1/3	1/3
Shipping Data	lbs. - 1 package	314	331	337	338

ELECTRICAL DATA

Line voltage data - 60hz - 1 ph	208/230V	208/230V	208/230V	208/230V
³ Maximum overcurrent protection (amps)	25	35	45	60
⁴ Minimum circuit ampacity	20	21.1	28.5	35.8
Compressor - Rated load amps	11.7	15.3	21.2	27.1
Outdoor Fan Motor - Full load amps	2.0	2.0	2.0	2.0

NOTE – Extremes of operating range are plus 10% and minus 5% of line voltage.

¹ Sound Rating Number rated in accordance with test conditions included in AHRI Standard 270.

² Refrigerant charge sufficient for 15 ft. length of refrigerant lines.

³ HACR type circuit breaker or fuse.

⁴ Refer to National or Canadian Electrical Code manual to determine wire, fuse and disconnect size requirements



NOTE – Due to Lennox' ongoing commitment to quality, Specifications, Ratings and Dimensions subject to change without notice and without incurring liability. Improper installation, adjustment, alteration, service or maintenance can cause property damage or personal injury. Installation and service must be performed by a qualified installer and servicing agency.



PRODUCT CATALOG

AIR CONDITIONERS

SL18XC1

DAVE LENNOX SIGNATURE® COLLECTION

R-410A - Scroll Compressor - SilentComfort™ Technology

SEER - Up to 18.50

2 to 5 Tons

Page 5

April 2019

Supersedes February 2019

FEATURES

Refrigerant System

Scroll compressor with crankcase heater and sound cover.

Non-chlorine, ozone friendly, R-410A refrigerant.

Lennox Quantum™ Coil - Aluminum tube construction with enhanced ripple-edged aluminum fins.

Super-quiet outdoor fan with SilentComfort™ Technology.

Specially designed fan blades reduce operating sound levels.

PVC coated, steel fan guard.

Fully serviceable brass service valves.

Factory installed, hi-capacity liquid line drier.

iComfort® Communicating Control

iComfort® Control communicates information about the unit to the optional iComfort® thermostat.



High Pressure Switch.

Loss of Charge Switch.

Cabinet

Heavy-gauge galvanized steel cabinet with powder paint finish.

SmartHinge™ Louvered Coil Protection.

PermaGuard™ zinc-coated base.

LIMITED WARRANTY

Compressor - ten years

All covered components - ten years

Refer to Lennox Equipment Limited Warranty certificate included with equipment for details.



AHRI RATINGS

See AHRI Ratings Supplement

ACCESSORIES

See page 23

Compressor

- Compressor Hard Start Kit
- Compressor Low Ambient Cut-Off
- Compressor Time-Off Control

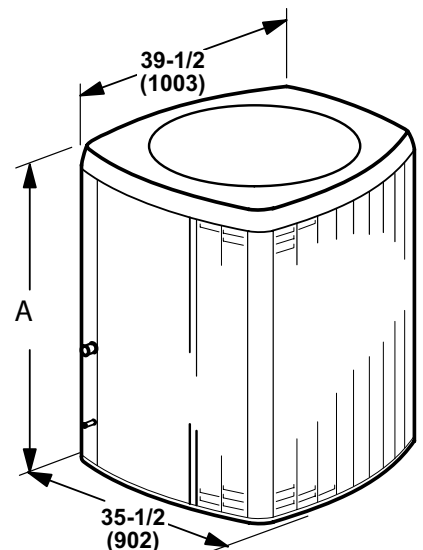
Controls

- iComfort® S30 Thermostat
- Freezestat
- Indoor Blower Off Delay Relay
- Low Ambient Kit
- Thermostat

Refrigerant System

- Expansion Valve Kits
- Refrigerant Line Kits

DIMENSIONS



Model No.	A
SL18XC1-024	47 (1194)
SL18XC1-048	
SL18XC1-060	
SL18XC1-030	41 (1041)
SL18XC1-036	
SL18XC1-042	

NOTE - Due to Lennox' ongoing commitment to quality, Specifications, Ratings and Dimensions subject to change without notice and without incurring liability. Improper installation, adjustment, alteration, service or maintenance can cause property damage or personal injury. Installation and service must be performed by a qualified installer and servicing agency.

SPECIFICATIONS

General Data	Model No.	SL18XC1-024	SL18XC1-030	SL18XC1-036	SL18XC1-042	SL18XC1-048	SL18XC1-060
Nominal Tonnage		2	2.5	3	3.5	4	5
Indoor Unit Expansion Valve (TXV) (If needed)		12J18	12J18	12J19	12J20	12J20	12J20
¹ Sound Rating Number (dB)		65	68	71	71	74	74
Connections (sweat)	Liquid line (o.d.) - in.	3/8	3/8	3/8	3/8	3/8	3/8
	Suction line (o.d.) - in.	3/4	3/4	7/8	7/8	7/8	1-1/8
Refrigerant	² R-410A charge furnished	7 lbs. 0 oz.	8 lbs. 8 oz.	8 lbs. 8 oz.	10 lbs. 3 oz.	10 lbs. 13 oz.	12 lbs. 0 oz.
Outdoor Fan	Diameter - in.	26	26	26	26	26	26
	No. of blades	5	5	5	5	5	5
	Motor hp	1/3	1/3	1/3	1/3	1/3	1/3
Shipping Data - lbs. 1 pkg.		241	258	260	280	296	298

ELECTRICAL DATA

Line voltage data - 60hz - 1 ph	208/230V	208/230V	208/230V	208/230V	208/230V	208/230V	
³ Maximum overcurrent protection (amps)	25	30	30	40	45	50	
⁴ Minimum circuit ampacity	20	20	20	24.4	26.0	31.6	
Compressor	Rated load amps	11.2	12.8	14.1	17.9	19.2	23.7
	Locked rotor amps	60.8	67.8	72.2	112.0	117	152.5
	Power factor	.97	.97	.99	.97	.97	.96
Outdoor Fan Motor	Full load amps	2.0	2.0	2.0	2.0	2.0	2.0

NOTE – Extremes of operating range are plus 10% and minus 5% of line voltage.

¹ Sound Rating Number rated in accordance with test conditions included in AHRI Standard 270.

² Refrigerant charge sufficient for 15 ft. length of refrigerant lines.

³ HACR type circuit breaker or fuse.

⁴ Refer to National or Canadian Electrical Code manual to determine wire, fuse and disconnect size requirements



NOTE – Due to Lennox' ongoing commitment to quality, Specifications, Ratings and Dimensions subject to change without notice and without incurring liability. Improper installation, adjustment, alteration, service or maintenance can cause property damage or personal injury. Installation and service must be performed by a qualified installer and servicing agency.



AIR CONDITIONERS XC20 ELITE® SERIES

PRODUCT CATALOG

R-410A - Variable-Capacity Scroll Compressor
SEER - Up to 20.00
2 to 5 Tons

Page 7

April 2019

Supersedes February 2019

FEATURES

Refrigerant System

Variable capacity scroll compressor with crankcase heater.
Non-chlorine, ozone friendly, R-410A refrigerant.

Copper tube construction with enhanced ripple-edged aluminum fins.

Variable-Speed Outdoor Coil Fan. Motor With Integrated Control is programmed for variable capacity operation. Fan speed is directly controlled by the iComfort® communications between the outdoor unit iComfort® control and the iComfort® Thermostat.

PVC coated, steel fan guard.

Fully serviceable brass service valves.

Factory installed, hi-capacity liquid line drier.

iComfort® Communicating Control

iComfort® Control communicates information about the unit to the iComfort® thermostat (required).



DC Inverter Control adjusts compressor output in increments as small as 1%.

High Pressure Switch.

Low Pressure Switch.

Precise Comfort™ Technology

The Variable Capacity Compressor and DC Inverter Control is an integrated system that operates together to reduce overall energy usage when compared to conventional air conditioners.

Cabinet

SmartHinge™ Louvered Coil Protection.

PermaGuard™ zinc-coated base.

Heavy-gauge galvanized steel cabinet with powder paint finish.



iComfort® S30
Ultra Smart Wi-Fi
Thermostat required.
Not furnished

LIMITED WARRANTY

Compressor - ten years

All covered components - ten years

Refer to Lennox Equipment Limited Warranty certificate included with equipment for details

AHRI RATINGS

See AHRI Ratings Supplement

REQUIRED CONTROLS

- iComfort® S30 Thermostat
- Discharge Air Temperature Sensor

ACCESSORIES

See page 23

Controls

- Freezestat

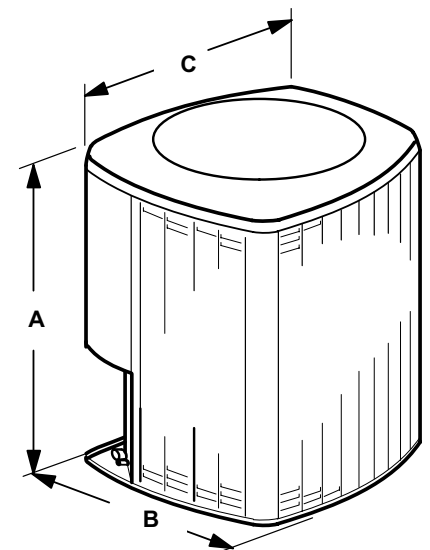
Refrigerant System

- Expansion Valve Kits
- Refrigerant Line Kits

NOTE - The XC20 Air Conditioner can only be used with the iComfort® S30 Thermostat.

NOTE - The XC20 can only be matched with iComfort®-Communicating variable-speed indoor furnaces and air handlers.

Model No.	A	B	C
XC20-024	39 (991)	35-1/2 (902)	39-3/8 (1000)
XC20-036	39 (991)	35-1/2 (902)	39-3/8 (1000)
XC20-048	45 (1143)	35-1/2 (902)	39-3/8 (1000)
XC20-060	45 (1143)	35-1/2 (902)	39-3/8 (1000)



NOTE - Due to Lennox' ongoing commitment to quality, Specifications, Ratings and Dimensions subject to change without notice and without incurring liability. Improper installation, adjustment, alteration, service or maintenance can cause property damage or personal injury. Installation and service must be performed by a qualified installer and servicing agency.

SPECIFICATIONS

General Data	Model No.	XC20-024	XC20-036	XC20-048	XC20-060
Nominal Tonnage		2	3	4	5
Indoor Unit Expansion Valve (TXV) (If needed)		12J18	12J19	12J20	12J20
¹ Sound Rating Number (dB) - Min./Max.		65/72	67/75	68/77	69/77
Connections (sweat)	Liquid line (o.d.) - in.	3/8	3/8	3/8	3/8
	Suction line (o.d.) - in.	3/4	7/8	7/8	1-1/8
Refrigerant	² R-410A charge furnished	7 lbs. 5 oz.	8 lbs. 6 oz.	10 lbs. 7 oz.	12 lbs. 1 oz.
Outdoor Fan	Diameter - in.	22	22	22	26
	No. of blades	4	4	4	3
	Motor hp	1/6	1/4	1/3	1/3
Shipping Data - lbs. 1 pkg.		243	241	287	321

ELECTRICAL DATA

Line voltage data - 60hz	208/230V-1ph	208/230V-1ph	208/230V-1ph	208/230V-1ph
³ Maximum overcurrent protection (amps)	30	30	50	50
⁴ Minimum circuit ampacity	19.1	20.6	29.1	29.3
Compressor	Rated load amps	13.0	14.2	21.0
	Locked rotor amps	13.0	13.0	20.0
	Power factor	.98	.99	.99
Outdoor Fan Motor	Full load amps	2.8	2.8	2.8

NOTE - Extremes of operating range are plus 10% and minus 5% of line voltage.

¹ Sound Rating Number rated in accordance with test conditions included in AHRI Standard 270.

² Refrigerant charge sufficient for 15 ft. length of refrigerant lines. For longer line set requirements see the Installation Instructions for information about line set length and additional refrigerant charge required.

³ HACR type breaker or fuse.

⁴ Refer to National or Canadian Electrical Code manual to determine wire, fuse and disconnect size requirements.



NOTE – Due to Lennox' ongoing commitment to quality, Specifications, Ratings and Dimensions subject to change without notice and without incurring liability. Improper installation, adjustment, alteration, service or maintenance can cause property damage or personal injury. Installation and service must be performed by a qualified installer and servicing agency.



PRODUCT CATALOG

**AIR CONDITIONERS
XC16
ELITE® SERIES**

**R-410A - Two-Stage Scroll Compressor
SEER - Up to 17.00
2 to 5 Tons**

Page 9
April 2019
Supersedes February 2019

FEATURES

Refrigerant System

- Two-Stage scroll compressor with crankcase heater.
- Non-chlorine, ozone friendly, R-410A refrigerant.
- Copper tube construction with enhanced ripple-edged aluminum fins.
- PVC coated, steel fan guard.
- Fully serviceable brass service valves.
- Factory installed, hi-capacity liquid line drier.

Controls

- High Pressure Switch.
- Loss of Charge Switch.

Cabinet

- Heavy-gauge galvanized steel cabinet with powder paint finish.
- SmartHinge™ Louvered Coil Protection.
- PermaGuard™ zinc-coated base.



AHRI RATINGS

See AHRI Ratings Supplement

ACCESSORIES

See page 23

Compressor

- Compressor Hard Start Kit
- Compressor Low Ambient Cut-Off
- Compressor Time-Off Control

Controls

- Freezestat
- Indoor Blower Off Delay Relay
- Indoor Blower Speed Relay Kit
- Low Ambient Kit
- Thermostat

Refrigerant System

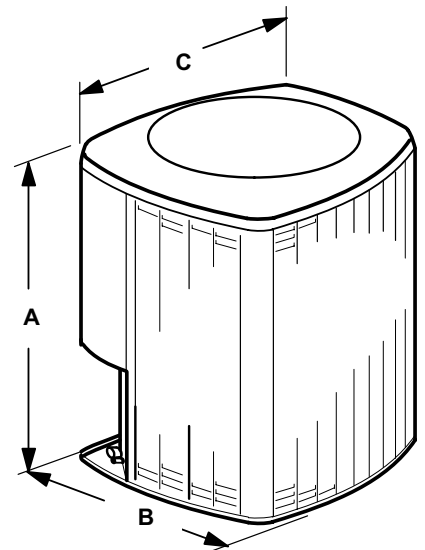
- Expansion Valve Kits
- Refrigerant Line Kits

LIMITED WARRANTY

Compressor - ten years
All covered components - five years
Refer to Lennox Equipment Limited Warranty certificate included with equipment for details

Model No.	A	B	C
XC16-024	45 (1143)	30-1/2 (775)	35 (889)
XC16-036	31 (787)	30-1/2 (775)	35 (889)
XC16-048	39 (991)	30-1/2 (775)	35 (889)
XC16-060	45 (1143)	35-1/2 (902)	39-1/2 (1003)

DIMENSIONS



NOTE – Due to Lennox’ ongoing commitment to quality, Specifications, Ratings and Dimensions subject to change without notice and without incurring liability. Improper installation, adjustment, alteration, service or maintenance can cause property damage or personal injury. Installation and service must be performed by a qualified installer and servicing agency.

SPECIFICATIONS

General Data	Model No.	All Regions	XC16-024	XC16-036	XC16-048	XC16-060
	Southeast and North Regions		XC16S024	XC16S036	XC16S048	XC16S060
	Nominal Tonnage		2	3	4	5
	Indoor Unit Expansion Valve (TXV) (If needed)		12J18	12J19	12J20	12J20
¹ Sound Rating Number (dB)			73	74	75	75
Connections (sweat)	Liquid line (o.d.) - in.		3/8	3/8	3/8	3/8
	Suction line (o.d.) - in.		3/4	7/8	7/8	1-1/8
Refrigerant	² R-410A charge furnished		7 lbs. 2 oz.	9 lbs. 0 oz.	10 lbs. 6 oz.	13 lbs. 2 oz.
Outdoor Fan	Diameter - in.		22	22	22	26
	No. of blades		4	4	4	3
	Motor hp		1/6	1/4	1/3	1/3
Shipping Data - lbs. 1 pkg.			249	243	268	332

ELECTRICAL DATA

Line voltage data - 60hz			⁵ 230V-1ph	⁵ 230V-1ph	⁵ 230V-1ph	⁵ 230V-1ph
³ Maximum overcurrent protection (amps)			20	30	40	50
⁴ Minimum circuit ampacity			15.6	20.8	29.2	35.7
Compressor	Rated load amps		10.19	14.15	17.05	23.5
Outdoor Fan Motor	Full load amps		1.0	1.7	1.8	1.8

NOTE - Extremes of operating range are plus 10% and minus 5% of line voltage.

¹ Sound Rating Number rated in accordance with test conditions included in AHRI Standard 270.

² Refrigerant charge sufficient for 15 ft. length of refrigerant lines. For longer line set requirements see the Installation Instructions for information about line set length and additional refrigerant charge required.

³ HACR type breaker or fuse.

⁴ Refer to National or Canadian Electrical Code manual to determine wire, fuse and disconnect size requirements.

⁵ Hard start kit is required in applications where the supply voltage is less than 230V.



NOTE – Due to Lennox' ongoing commitment to quality, Specifications, Ratings and Dimensions subject to change without notice and without incurring liability. Improper installation, adjustment, alteration, service or maintenance can cause property damage or personal injury. Installation and service must be performed by a qualified installer and servicing agency.



PRODUCT CATALOG

**AIR CONDITIONERS
EL16XC1
ELITE® SERIES**

**R-410A - Scroll Compressor
SEER - Up to 17.90
1.5 to 5 Tons**

Page 11

April 2019

Supersedes February 2019

FEATURES

Refrigerant System

Scroll Compressor with sound cover.
Non-chlorine, ozone friendly, R-410A refrigerant.

Lennox Quantum™ Coil - Aluminum tube construction with enhanced ripple-edged aluminum fins.

Units applicable to expansion valve systems or RFC systems when matched with specific indoor coils.

Fully serviceable brass service valves.

Factory installed, hi-capacity liquid line drier.

Totally enclosed, direct drive outdoor fan motor with sleeve bearings.

PVC coated, steel fan guard.

Controls

High Pressure Switch.

Cabinet

Heavy-gauge galvanized steel cabinet with powder paint finish.

SmartHinge™ Louvered Coil Protection.

PermaGuard™ zinc-coated base.

Corner patch plate allows access to compressor.



AHRI RATINGS

See AHRI Ratings Supplement

ACCESSORIES

See page 23

Compressor

- Compressor Crankcase Heater
- Compressor Hard Start Kit
- Compressor Low Ambient Cut-Off
- Compressor Time-Off Control

Controls

- Freezestat
- Indoor Blower Off Delay Relay
- Loss of Charge Switch Kit
- Low Ambient Kit
- Thermostat

Refrigerant System

- Expansion Valve Kits
- Refrigerant Line Kits

LIMITED WARRANTY

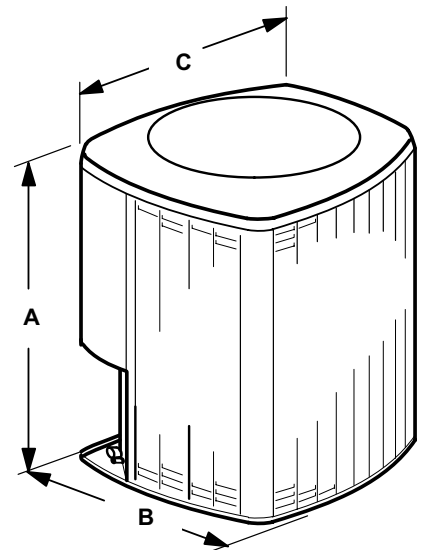
Compressor - ten years

All covered components - five years

Refer to Lennox Equipment Limited Warranty certificate included with equipment for details

Model No.	A	B	C
EL16XC1-018	31 (787)	27 (729)	28 (711)
EL16XC1-024	31 (787)	30-1/2 (775)	35 (889)
EL16XC1-030	39 (991)	30-1/2 (775)	35 (889)
EL16XC1-042			
EL16XC1-048			
EL16XC1-036	35 (889)	30-1/2 (775)	35 (889)
EL16XC1-041			
EL16XC1-047	35 (889)	35-1/2 (902)	39-1/2 (1003)
EL16XC1-060			

DIMENSIONS



NOTE – Due to Lennox' ongoing commitment to quality, Specifications, Ratings and Dimensions subject to change without notice and without incurring liability. Improper installation, adjustment, alteration, service or maintenance can cause property damage or personal injury. Installation and service must be performed by a qualified installer and servicing agency.

SPECIFICATIONS

General Data	Model No.	All Regions Southeast and North Regions	EL16XC1-018	EL16XC1-024	EL16XC1-030	EL16XC1-036
		Nominal Tonnage	1.5	2	2.5	3
		Indoor Unit Expansion Valve (TXV) (If needed)	12J18	12J18	12J18	12J19
		RFCIV Metering Orifice Usage	See the Unit Product Specifications document for applicable RFC matches			
Connections (sweat)		Liquid line (o.d.) - in.	3/8	3/8	3/8	3/8
		Suction line (o.d.) - in.	3/4	3/4	3/4	7/8
Refrigerant		¹ R-410A charge furnished	4 lbs. 9 oz.	4 lbs. 9 oz.	5 lbs. 8 oz.	7 lbs. 1 oz.
Outdoor Fan		Diameter - in.	18	22	22	22
		No. of blades	3	3	3	3
		Motor hp	1/10	1/6	1/6	1/6
		Cfm	2290	3160	3160	3160
		Rpm	1075	825	825	825
		Watts	160	215	215	190
Shipping Data - lbs. 1 pkg.			155	171	187	205

ELECTRICAL DATA

Line voltage data - 60hz	208/230V-1ph	208/230V-1ph	208/230V-1ph	208/230V-1ph	
² Maximum overcurrent protection (amps)	20	25	25	30	
³ Minimum circuit ampacity	11.9	14.6	17	18.0	
Compressor					
	Rated load amps	9.0	10.9	12.8	13.6
	Locked rotor amps	48	59.3	67.8	79
	Power factor	0.97	0.97	0.97	0.96
Outdoor Fan Motor					
	Full load amps	0.7	1	1	1
	Locked rotor amps	1.3	1.9	1.9	1.9

SPECIFICATIONS

General Data	Model No.	All Regions	EL16XC1-041	EL16XC1-042	EL16XC1-047	EL16XC1-048	EL16XC1-060
		Nominal Tonnage	3.5	3.5	4	4	5
		Indoor Unit Expansion Valve (TXV) (If needed)	12J20	12J20	12J20	12J20	12J20
		RFCIV Metering Orifice Usage	See the Unit Product Specifications document for applicable RFC matches				
Connections (sweat)		Liquid line (o.d.) - in.	3/8	3/8	3/8	3/8	3/8
		Suction line (o.d.) - in.	7/8	7/8	7/8	7/8	1-1/8
Refrigerant		¹ R-410A charge furnished	9 lbs. 9 oz.	8 lbs. 12 oz.	11 lbs. 0 oz.	9 lbs. 12 oz.	12 lbs. 0 oz.
Outdoor Fan		Diameter - in.	22	22	26	22	26
		No. of blades	3	3	4	4	3
		Motor hp	1/6	1/6	1/3	1/4	1/3
		Cfm	3050	3050	4400	3600	4400
		Rpm	825	825	825	825	825
		Watts	190	190	310	310	310
Shipping Data - lbs. 1 pkg.			227	234	272	255	284

ELECTRICAL DATA

Line voltage data - 60hz	208/230V-1ph	208/230V-1ph	208/230V-1ph	208/230V-1ph	208/230V-1ph	
² Maximum overcurrent protection (amps)	30	40	35	40	50	
³ Minimum circuit ampacity	19.3	23.4	21.9	24.2	29.6	
Compressor						
	Rated load amps	14.7	17.9	16.1	18.0	22.2
	Locked rotor amps	75	112	105.5	117	127.9
	Power factor	0.96	0.96	0.98	0.96	0.98
Outdoor Fan Motor						
	Full load amps	1	1	1.8	1.7	1.8
	Locked rotor amps	1.9	1.9	2.9	3.2	2.9

NOTE - Extremes of operating range are plus 10% and minus 5% of line voltage.

¹ Refrigerant charge sufficient for 15 ft. length of refrigerant lines. For longer line set requirements see the Installation Instructions for information about line set length and additional refrigerant charge required.

² HACR type breaker or fuse.

³ Refer to National or Canadian Electrical Code manual to determine wire, fuse and disconnect size requirements.



Intertek

NOTE - Due to Lennox' ongoing commitment to quality, Specifications, Ratings and Dimensions subject to change without notice and without incurring liability.

Improper installation, adjustment, alteration, service or maintenance can cause property damage or personal injury.

Installation and service must be performed by a qualified installer and servicing agency.



PRODUCT CATALOG

**AIR CONDITIONERS
XC13N
ELITE® SERIES**

**R-410A - Scroll Compressor
SEER - Up to 15.50
1.5 to 5 Tons**

Page 13

April 2019

Supersedes February 2019

FEATURES

Refrigerant System

- Scroll Compressor.
- Non-chlorine, ozone friendly, R-410A refrigerant.
- Copper tube construction with enhanced ripple-edged aluminum fins.
- Units applicable to expansion valve systems or RFC systems when matched with specific indoor coils.
- Fully serviceable brass service valves.
- Factory installed, hi-capacity liquid line drier.
- Totally enclosed, direct drive outdoor fan motor with sleeve bearings.
- PVC coated, steel fan guard.
- Discharge thermostat.

Controls

- High pressure switch.

Cabinet

- Heavy-gauge galvanized steel cabinet with powder paint finish.
- SmartHinge™ Louvered Coil Protection.
- PermaGuard™ zinc-coated base.
- Corner patch plate allows access to compressor.



LIMITED WARRANTY

Compressor - ten years
All covered components - five years
Refer to Lennox Equipment Limited Warranty certificate included with equipment for details

Model No.	A	B	C
XC13N018	27	27	28
XC13N024	(686)	(729)	(711)
XC13N030	31	27	28
XC13N036	(787)	(729)	(711)
XC13N042	39	31	35
	(991)	(787)	(889)
XC13N048	35	31	35
	(889)	(787)	(889)
XC13N060	31	31	35
	(787)	(787)	(889)

AHRI RATINGS

See AHRI Ratings Supplement

ACCESSORIES

See page 25

Compressor

- Compressor Crankcase Heater
- Compressor Hard Start Kit
- Compressor Low Ambient Cut-Off
- Compressor Sound Cover
- Compressor Time-Off Control

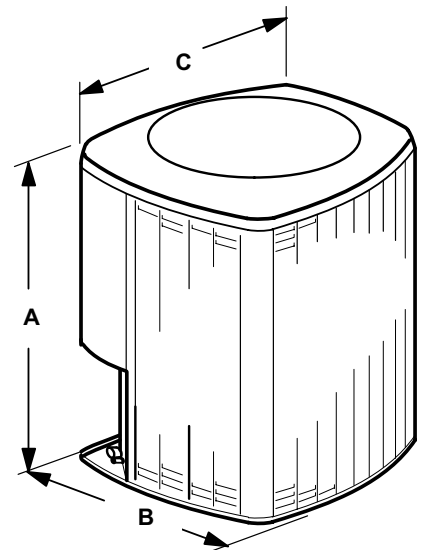
Controls

- Freezestat
- Indoor Blower Off Delay Relay
- Loss of Charge Switch Kit
- Low Ambient Kit
- Thermostat

Refrigerant System

- Expansion Valve Kits
- Refrigerant Line Kits

DIMENSIONS



NOTE – Due to Lennox' ongoing commitment to quality, Specifications, Ratings and Dimensions subject to change without notice and without incurring liability. Improper installation, adjustment, alteration, service or maintenance can cause property damage or personal injury. Installation and service must be performed by a qualified installer and servicing agency.

SPECIFICATIONS

General Data	Model No.	North Region	XC13N018	XC13N024	XC13N030	XC13N036	XC13N042	XC13N048	XC13N060	
		Nominal Tonnage	1.5	2	2.5	3	3.5	4	5	
Indoor Unit Expansion Valve (TXV) (If needed)			12J18	12J18	12J18	12J19	12J20	12J20	12J20	
RFCIV Metering Orifice Usage			See the Unit Product Specifications document for applicable RFC matches							
¹ Sound Rating Number (dB)			74	74	76	76	76	76	76	
Connections (sweat)			Liquid line o.d. - in.		3/8	3/8	3/8	3/8	3/8	
			Suction line o.d. - in.		3/4	3/4	3/4	3/4	7/8	7/8
² Refrigerant (R-410A) furnished			4 lbs. 1 oz.	3 lbs. 14 oz.	4 lbs. 4 oz.	5 lbs. 4 oz.	6 lbs. 9 oz.	7 lbs. 12 oz.	9 lbs. 0 oz.	
Outdoor Fan			Diameter - in.		18	18	18	22	22	
			Number of blades		3	3	4	4	4	4
			Motor hp		1/10	1/10	1/5	1/5	1/4	1/4
Shipping Data - lbs. 1 package			150	150	161	164	240	232	249	

ELECTRICAL DATA

Line voltage data - 60 hz - 1ph			208/230V	208/230V	208/230V	208/230V	208/230V	208/230V	208/230V	
³ Maximum overcurrent protection (amps)			20	25	30	35	45	50	60	
⁴ Minimum circuit ampacity			12.4	14.7	18.8	22.1	28.1	32.0	34.6	
Compressor			Rated load amps		9.4	11.2	14.1	16.7	21.2	
			Locked rotor amps		56.6	60.8	73	79	112	100
			Power factor		0.98	0.98	0.98	0.99	0.99	0.99
Condenser Fan Motor			Full load amps		0.7	0.7	1.2	1.1	1.7	
			Locked rotor amps		1.4	1.4	2.0	2.0	3.2	3.2

NOTE – Extremes of operating range are plus 10% and minus 5% of line voltage.

¹ Sound Rating Number rated in accordance with test conditions included in AHRI Standard 270.

² Refrigerant charge sufficient for 15 ft. length of refrigerant lines.

³ HACR type circuit breaker or fuse.

⁴ Refer to National or Canadian Electrical Code manual to determine wire, fuse and disconnect size requirements



NOTE – Due to Lennox' ongoing commitment to quality, Specifications, Ratings and Dimensions subject to change without notice and without incurring liability. Improper installation, adjustment, alteration, service or maintenance can cause property damage or personal injury. Installation and service must be performed by a qualified installer and servicing agency.



PRODUCT CATALOG

**AIR CONDITIONERS
ML14XC1
MERIT® SERIES**

**R-410A - Scroll Compressor
SEER - Up to 17.00
1.5 to 5 Tons**

Page 15

April 2019

Supersedes February 2019

FEATURES

Refrigerant System

- Scroll Compressor.
- Non-chlorine, ozone friendly, R-410A refrigerant.
- Lennox Quantum™ Coil - Aluminum tube construction with enhanced ripple-edged aluminum fins.
- Units applicable to expansion valve systems or RFC systems when matched with specific indoor coils
- Fully serviceable brass service valves.
- High pressure switch.
- Liquid line drier shipped with unit.
- Totally enclosed, direct drive outdoor fan motor with sleeve bearings.

Cabinet

- Heavy-gauge galvanized steel cabinet with powder paint finish.
- Steel louvered panels provide complete coil protection.
- Louvered steel top fan guard.
- PermaGuard™ zinc-coated base.
- Corner patch plate allows access to compressor.



LIMITED WARRANTY

Compressor - five years
All covered components - five years
Refer to Lennox Equipment Limited Warranty certificate included with equipment for details

Model No.	A	B
ML14XC1-018	29-1/4 (743)	24-1/4 (616)
ML14XC1-024 ML14XC1-036	29-1/4 (743)	28-1/4 (718)
ML14XC1-030 ML14XC1-041 ML14XC1-042 ML14XC1-048	37-1/4 (946)	28-1/4 (718)
ML14XC1-047	33-1/4 (845)	32-1/4 (817)
ML14XC1-059 ML14XC1-060	43-1/4 (1099)	32-1/4 (817)

AHRI RATINGS

See AHRI Ratings Supplement

ACCESSORIES

See page 25

Cabinet

- Unit Stand-Off Kit

Compressor

- Compressor Crankcase Heater
- Compressor Hard Start Kit
- Compressor Low Ambient Cut-Off
- Compressor Sound Cover
- Compressor Time-Off Control

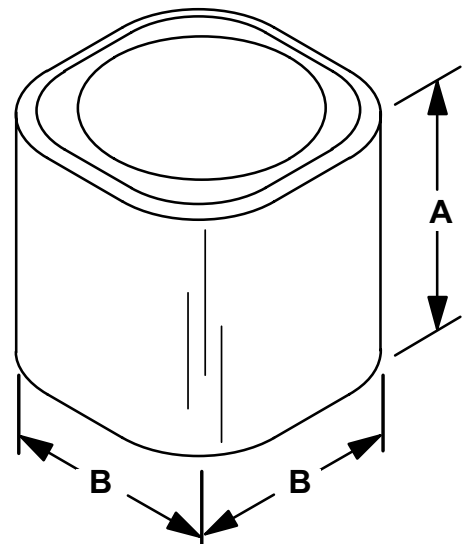
Controls

- Freezestat
- Indoor Blower Off Delay Relay
- Low Ambient Kit
- Loss of Charge Switch Kit
- Thermostat

Refrigerant System

- Expansion Valve Kits
- Refrigerant Line Kits

DIMENSIONS



NOTE – Due to Lennox' ongoing commitment to quality, Specifications, Ratings and Dimensions subject to change without notice and without incurring liability. Improper installation, adjustment, alteration, service or maintenance can cause property damage or personal injury. Installation and service must be performed by a qualified installer and servicing agency.

SPECIFICATIONS

General	Model No.	All Regions	ML14XC1-018	ML14XC1-024	ML14XC1-030	ML14XC1-036	ML14XC1-041
Data	Southeast and North Regions		ML14XC1S018	ML14XC1S024	ML14XC1S030	ML14XC1S036	---
		Nominal Tonnage	1.5	2	2.5	3	3.5
		Indoor Unit Expansion Valve (TXV) (If needed)	12J18	12J18	12J18	12J19	12J20
		RFCIV Metering Orifice Usage	See the Unit Product Specifications document for applicable RFC matches				
¹ Sound Rating Number (dB)			73	76	76	76	74
Connections		Liquid line o.d. - in.	3/8	3/8	3/8	3/8	3/8
	(sweat)	Suction line o.d. - in.	3/4	3/4	3/4	7/8	7/8
² Refrigerant (R-410A) furnished			4 lbs. 9 oz.	4 lbs. 9 oz.	5 lbs. 8 oz.	7 lbs. 1 oz.	9 lbs. 0 oz.
Outdoor		Diameter - in. (No. of blades)	18 (3)	22 (3)	22 (3)	22 (3)	22 (3)
Fan		Motor hp	1/10	1/6	1/6	1/6	1/6
Shipping Data - lbs. 1 package			134	152	169	175	192

ELECTRICAL DATA

		Line voltage data - 60 hz - 1ph	208/230V	208/230V	208/230V	208/230V	208/230V
		³ Maximum overcurrent protection (amps)	20	25	25	30	30
		⁴ Minimum circuit ampacity	11.9	14.6	17	18.0	19.3
Compressor		Rated load amps	9.0	10.9	12.8	13.6	14.7
		Locked rotor amps	48	59.3	67.8	79	75
		Power factor	0.97	0.97	0.97	0.96	0.96
Condenser		Full load amps	0.7	1	1	1	1
Fan Motor		Locked rotor amps	1.3	1.9	1.9	1.9	1.9

SPECIFICATIONS

General	Model No.	All Regions	ML14XC1-042	ML14XC1-047	ML14XC1-048	ML14XC1-059	ML14XC1-060
Data	Southeast and North Regions		ML14XC1S042	---	---	---	---
		Nominal Tonnage	3.5	4	4	5	5
		Indoor Unit Expansion Valve (TXV) (If needed)	12J20	12J20	12J20	12J20	12J20
		RFCIV Metering Orifice Usage	See the Unit Product Specifications document for applicable RFC matches				
¹ Sound Rating Number (dB)			76	80	78	77	80
Connections		Liquid line o.d. - in.	3/8	3/8	3/8	3/8	3/8
	(sweat)	Suction line o.d. - in.	7/8	7/8	7/8	1-1/8	1-1/8
² Refrigerant (R-410A) furnished			8 lbs. 12 oz.	11 lbs. 0 oz.	9 lbs. 12 oz.	11 lbs. 13 oz.	12 lbs. 0 oz.
Outdoor		Diameter - in. (No. of blades)	22 (3)	26 (4)	22 (4)	26 (4)	26 (4)
Fan		Motor hp	1/6	1/3	1/4	1/3	1/3
Shipping Data - lbs. 1 package			211	231	218	253	267

ELECTRICAL DATA

		Line voltage data - 60 hz - 1ph	208/230V	208/230V	208/230V	208/230V	208/230V
		³ Maximum overcurrent protection (amps)	40	35	40	45	50
		⁴ Minimum circuit ampacity	23.4	21.9	24.2	28.8	29.6
Compressor		Rated load amps	17.9	16.1	18.0	20.8	22.2
		Locked rotor amps	112	105.5	117	127.1	127.9
		Power factor	0.96	0.98	0.96	0.98	0.98
Condenser		Full load amps	1	1.8	1.7	2.8	1.8
Fan Motor		Locked rotor amps	1.9	2.9	3.2	---	2.9

NOTE - Extremes of operating range are plus 10% and minus 5% of line voltage.

¹ Sound Rating Number rated in accordance with test conditions included in AHRI Standard 270.

² Refrigerant charge sufficient for 15 ft. length of refrigerant lines. For longer line set requirements see the Installation Instructions for information about line set length and additional refrigerant charge required.

³ HACR type circuit breaker or fuse.

⁴ Refer to National or Canadian Electrical Code manual to determine wire, fuse and disconnect size requirements.



NOTE - Due to Lennox' ongoing commitment to quality, Specifications, Ratings and Dimensions subject to change without notice and without incurring liability.

Improper installation, adjustment, alteration, service or maintenance can cause property damage or personal injury.

Installation and service must be performed by a qualified installer and servicing agency.



PRODUCT CATALOG

**AIR CONDITIONERS
16ACX
MERIT® SERIES**

**R-410A - Two-Stage Scroll Compressor
SEER - Up to 17.00
2 to 5 Tons**

Page 17

April 2019

Supersedes February 2019

FEATURES

Refrigerant System

- Two-Stage scroll compressor.
- Crankcase heater (-048-060)
- Non-chlorine, ozone friendly, R-410A refrigerant.
- Copper tube construction with enhanced ripple-edged aluminum fins.
- Fully serviceable brass service valves.
- Factory installed, hi-capacity liquid line drier.
- High Pressure Switch.
- Low pressure Switch.

Cabinet

- Heavy-gauge galvanized steel cabinet with powder paint finish.
- Steel louvered panels provide complete coil protection.
- Louvered steel top fan guard.
- PermaGuard™ zinc-coated base.
- Corner patch plate allows access to compressor.



LIMITED WARRANTY

Compressor - five years
All covered components - five years
Refer to Lennox Equipment Limited Warranty certificate included with equipment for details

Model No.	A	B
16ACX-024	29-1/4 (743)	24-1/4 (616)
16ACX-036	29-1/4 (743)	28-1/4 (718)
16ACX-048	37-1/4 (946)	28-1/4 (718)
16ACX-059, 16ACX-060	43-1/4 (1099)	32-1/4 (817)

AHRI RATINGS

See AHRI Ratings Supplement

ACCESSORIES

See page 25

Cabinet

- Unit Stand-Off Kit

Compressor

- Compressor Crankcase Heater (024-036)
- Compressor Hard Start Kit
- Compressor Low Ambient Cut-Off
- Compressor Time-Off Control
- Sound Cover

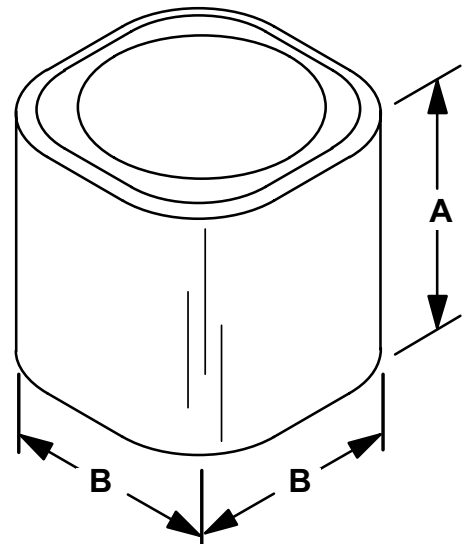
Controls

- Freezestat
- Indoor Blower Off Delay Relay
- Indoor Blower Speed Relay Kit
- Low Ambient Kit
- Thermostat

Refrigerant System

- Expansion Valve Kits
- Refrigerant Line Kits

DIMENSIONS



NOTE - Due to Lennox' ongoing commitment to quality, Specifications, Ratings and Dimensions subject to change without notice and without incurring liability. Improper installation, adjustment, alteration, service or maintenance can cause property damage or personal injury. Installation and service must be performed by a qualified installer and servicing agency.

SPECIFICATIONS

General Data	Model No.	All Regions Nominal Tonnage	16ACX-024	16ACX-036	16ACX-048	16ACX-060
			2	3	4	5
	Indoor Unit Expansion Valve (TXV) (If needed)		12J18	12J19	12J20	12J20
¹ Sound Rating Number (dB)			77	76	78	75
Connections (sweat)	Liquid line (o.d.) - in.		3/8	3/8	3/8	3/8
	Suction line (o.d.) - in.		3/4	7/8	7/8	1-1/8
Refrigerant	² R-410A charge furnished		7 lbs. 2 oz.	9 lbs. 0 oz.	10 lbs. 6 oz.	13 lbs. 2 oz.
Outdoor Fan	Diameter - in. and No. of blades		22 - 3	22 - 3	22 - 3	26 - 3
	Motor hp		1/6	1/4	1/4	1/4
	Cfm		3260	3450	3800	4375
	Rpm		825	825	825	825
	Watts		220	290	305	270
Shipping Data - lbs. 1 pkg.			190	190	235	285

ELECTRICAL DATA

Line voltage data - 60hz	⁵ 230V-1ph	⁵ 230V-1ph	⁵ 230V-1ph	⁵ 230V-1ph	
³ Maximum overcurrent protection (amps)	20	30	40	50	
⁴ Minimum circuit ampacity	15.6	20.8	29.2	35.7	
Compressor	Rated load amps	10.2	14.2	17	23.5
	Locked rotor amps	55	78	109	118
	Power factor	0.98	0.95	0.97	0.95
Outdoor Fan Motor	Full load amps	1.0	1.7	1.7	1.4
	Locked Rotor amps	1.9	3.2	3.2	3.2

NOTE - Extremes of operating range are plus 10% and minus 5% of line voltage.

¹ Sound Rating Number in accordance with test conditions included in AHRI Standard 270.

² Refrigerant charge sufficient for 15 ft. length of refrigerant lines. For longer line set requirements see the Installation Instructions for information about line set length and additional refrigerant charge required.

³ HACR type breaker or fuse.

⁴ Refer to National or Canadian Electrical Code manual to determine wire, fuse and disconnect size requirements.

⁵ Hard Start Kit is required in applications where the supply voltage is less than 230V.



NOTE - Due to Lennox' ongoing commitment to quality, Specifications, Ratings and Dimensions subject to change without notice and without incurring liability. Improper installation, adjustment, alteration, service or maintenance can cause property damage or personal injury. Installation and service must be performed by a qualified installer and servicing agency.



PRODUCT CATALOG

**AIR CONDITIONERS
14ACX
MERIT® SERIES**

**R-410A - Scroll Compressor
SEER - Up to 16.00
1.5 to 5 Tons**

Page 19

April 2019

Supersedes February 2019

FEATURES

Refrigerant System

- Scroll Compressor.
- Non-chlorine, ozone friendly, R-410A refrigerant.
- Units applicable to expansion valve systems or RFC systems when matched with specific indoor coils.
- Copper tube construction with enhanced ripple-edged aluminum fins.
- Fully serviceable brass service valves.
- High pressure switch.
- Liquid line drier shipped with unit.
- Totally enclosed, direct drive outdoor fan motor with sleeve bearings.

Cabinet

- Heavy-gauge galvanized steel cabinet with powder paint finish.
- Steel louvered panels provide complete coil protection.
- Louvered steel top fan guard.
- PermaGuard™ zinc-coated base.
- Corner patch plate allows access to compressor.



LIMITED WARRANTY

Compressor - five years
All covered components - five years
Refer to Lennox Equipment Limited Warranty certificate included with equipment for details

Model No.	A	B
14ACX-018	29-1/4 (743)	24-1/4 (616)
14ACX-024	29-1/4 (743)	28-1/4 (718)
14ACX-030	37-1/4 (946)	28-1/4 (718)
14ACX-036		
14ACX-041		
14ACX-042	33-1/4 (845)	28-1/4 (718)
14ACX-048	37-1/4 (946)	28-1/4 (718)
14ACX-059	37-1/4 (946)	32-1/4 (819)
14ACX-047	33-1/4 (845)	32-1/4 (819)
14ACX-060		

AHRI RATINGS

See AHRI Ratings Supplement

ACCESSORIES

See page 25

Cabinet

- Unit Stand-Off Kit

Compressor

- Compressor Crankcase Heater
- Compressor Hard Start Kit
- Compressor Low Ambient Cut-Off
- Compressor Sound Cover
- Compressor Time-Off Control

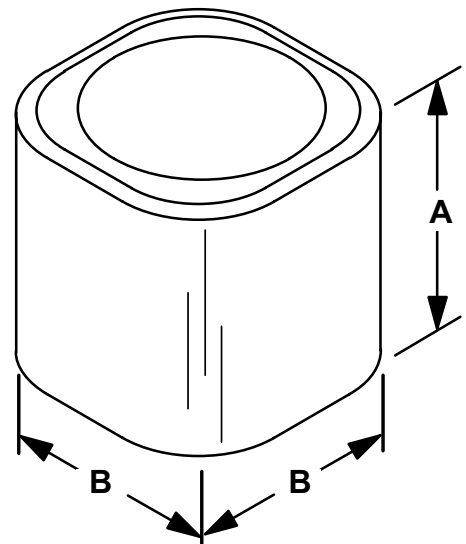
Controls

- Freezestat
- Indoor Blower Off Delay Relay
- Low Ambient Kit
- Loss of Charge Switch Kit
- Thermostat

Refrigerant System

- Expansion Valve Kits
- Refrigerant Line Kits

DIMENSIONS



NOTE – Due to Lennox' ongoing commitment to quality, Specifications, Ratings and Dimensions subject to change without notice and without incurring liability. Improper installation, adjustment, alteration, service or maintenance can cause property damage or personal injury. Installation and service must be performed by a qualified installer and servicing agency.

SPECIFICATIONS

General Data	Model No.	All Regions	14ACX-018	14ACX-024	14ACX-030	14ACX-036	14ACX-041
			Southeast and North Regions		14ACXS018	14ACXS024	14ACXS030
		Nominal Tonnage	1.5	2	2.5	3	3.5
		Indoor Unit Expansion Valve (TXV) (If needed)	12J18	12J18	12J18	12J19	12J20
		RFCIV Metering Orifice Usage	See the Unit Product Specifications document for applicable RFC matches				
¹ Sound Rating Number (dB)			76	76	76	76	78
Connections (sweat)		Liquid line o.d. - in.	3/8	3/8	3/8	3/8	3/8
		Suction line o.d. - in.	3/4	3/4	3/4	7/8	7/8
² Refrigerant (R-410A) furnished			4 lbs. 13 oz.	5 lbs. 6 oz.	6 lbs. 11 oz.	6 lbs. 11 oz.	10 lbs. 1 oz.
Outdoor Fan		Diameter - in.	18	22	22	22	22
		Number of blades	3	3	3	3	4
		Motor hp	1/10	1/6	1/6	1/6	1/4
Shipping Data - lbs. 1 package			138	158	171	177	209

ELECTRICAL DATA

	Line voltage data - 60 hz - 1ph	208/230V	208/230V	208/230V	208/230V	208/230V
	³ Maximum overcurrent protection (amps)	20	25	25	30	35
	⁴ Minimum circuit ampacity	12.4	15.0	17.1	18.6	22.6
Compressor	Rated load amps	9.4	11.2	12.9	14.1	16.7
Condenser Fan Motor	Full load amps	0.7	1.0	1.0	1.0	1.7

SPECIFICATIONS

General Data	Model No.	All Regions	14ACX-042	14ACX-047	14ACX-048	14ACX-059	14ACX-060
			Southeast and North Regions		14ACXS042	---	---
		Nominal Tonnage	3.5	4	4	5	5
		Indoor Unit Expansion Valve (TXV) (If needed)	12J20	12J20	12J20	12J20	12J20
		RFCIV Metering Orifice Usage	See the Unit Product Specifications document for applicable RFC matches				
¹ Sound Rating Number (dB)			78	80	78	78	80
Connections (sweat)		Liquid line o.d. - in.	3/8	3/8	3/8	3/8	3/8
		Suction line o.d. - in.	7/8	7/8	7/8	1-1/8	1-1/8
¹ Refrigerant (R-410A) furnished			8 lbs. 10 oz.	11 lbs. 3 oz.	10 lbs. 8 oz.	11 lbs. 2 oz.	12 lbs. 0 oz.
Outdoor Fan		Diameter - in.	22	26	22	26	26
		Number of blades	4	4	4	4	4
		Motor hp	1/4	1/3	1/4	1/3	1/3
Shipping Data - lbs. 1 package			208	250	228	266	253

ELECTRICAL DATA

	Line voltage data - 60 hz - 1ph	208/230V	208/230V	208/230V	208/230V	208/230V
	² Maximum overcurrent protection (amps)	40	45	45	50	60
	³ Minimum circuit ampacity	24.1	26.7	26.7	34.1	34.8
Compressor	Rated load amps	17.9	19.9	20	25	26.4
Condenser Fan Motor	Full load amps	1.7	1.8	1.7	2.8	1.8

NOTE – Extremes of operating range are plus 10% and minus 5% of line voltage.

¹ Sound Rating Number rated in accordance with test conditions included in AHRI Standard 270.

² Refrigerant charge sufficient for 15 ft. length of refrigerant lines.

³ HACR type circuit breaker or fuse.

⁴ Refer to National or Canadian Electrical Code manual to determine wire, fuse and disconnect size requirements



NOTE – Due to Lennox' ongoing commitment to quality, Specifications, Ratings and Dimensions subject to change without notice and without incurring liability.

Improper installation, adjustment, alteration, service or maintenance can cause property damage or personal injury.

Installation and service must be performed by a qualified installer and servicing agency.



PRODUCT CATALOG

**AIR CONDITIONERS
13ACXN
MERIT® SERIES**

**R-410A - Scroll Compressor
SEER - Up to 15.50
1.5 to 5 Tons**

Page 21

April 2019

Supersedes February 2019

FEATURES

Refrigerant System

- Scroll Compressor.
- Non-chlorine, ozone friendly, R-410A refrigerant.
- Units applicable to expansion valve systems or RFC systems when matched with specific indoor coils.
- Copper tube construction with enhanced ripple-edged aluminum fins.
- Fully serviceable brass service valves.
- Liquid line drier shipped with unit.
- High Pressure Switch.
- Totally enclosed, direct drive outdoor fan motor with sleeve bearings.

Cabinet

- Heavy-gauge galvanized steel cabinet with powder paint finish.
- Steel louvered panels provide complete coil protection.
- Louvered steel top fan guard.
- PermaGuard™ zinc-coated base.
- Corner patch plate allows access to compressor.



LIMITED WARRANTY

Compressor - five years
All covered components - five years
Refer to Lennox Equipment Limited Warranty certificate included with equipment for details

Model No.	A	B
13ACXN018	25-1/4	24-1/4
13ACXN024	(616)	(616)
13ACXN030	29-1/4	24-1/4
13ACXN036	(743)	(616)
13ACXN042	29-1/4	28-1/4
	(743)	(718)
13ACXN048	33-1/4	28-1/4
	(845)	(718)
13ACXN060	29-1/4	28-1/4
	(743)	(718)

AHRI RATINGS

See AHRI Ratings Supplement

ACCESSORIES

See page 25

Cabinet

- Unit Stand-Off Kit

Compressor

- Compressor Crankcase Heater
- Compressor Hard Start Kit
- Compressor Low Ambient Cut-Off
- Compressor Sound Cover
- Compressor Time-Off Control

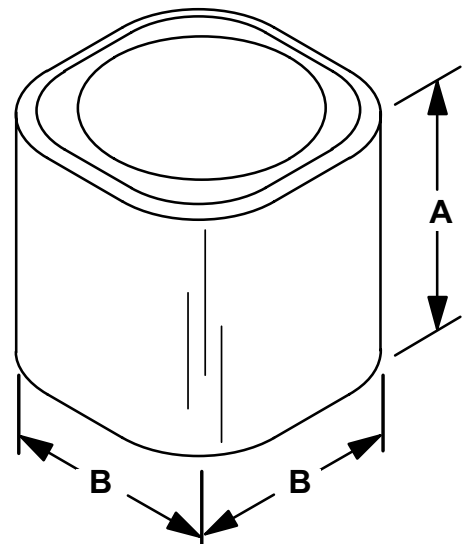
Controls

- Freezestat
- Indoor Blower Off Delay Relay
- Low Ambient Kit
- Loss of Charge Switch Kit
- Thermostat

Refrigerant System

- Expansion Valve Kits
- Refrigerant Line Kits

DIMENSIONS



NOTE – Due to Lennox' ongoing commitment to quality, Specifications, Ratings and Dimensions subject to change without notice and without incurring liability. Improper installation, adjustment, alteration, service or maintenance can cause property damage or personal injury. Installation and service must be performed by a qualified installer and servicing agency.

SPECIFICATIONS

General Data	Model No.	North Region	13ACXN018	13ACXN024	13ACXN030	13ACXN036	13ACXN042	13ACXN048	13ACXN060	
		Nominal Tonnage	1.5	2	2.5	3	3.5	4	5	
Indoor Unit Expansion Valve (TXV) (If needed)			12J18	12J18	12J18	12J19	12J20	12J20	12J20	
RFCIV Metering Orifice Usage			See the Unit Product Specifications document for applicable RFC matches							
¹ Sound Rating Number (dB)			76	76	76	76	79	79	79	
Connections (sweat)			Liquid line o.d. - in.		3/8	3/8	3/8	3/8	3/8	
			Suction line o.d. - in.		5/8	5/8	3/4	3/4	3/4	7/8
² Refrigerant (R-410A) furnished			3 lbs. 15 oz.	3 lbs. 15 oz.	5 lbs. 2 oz.	5 lbs. 4 oz.	6 lbs. 8 oz.	7 lbs. 12 oz.	9 lbs. 0 oz.	
Outdoor Fan			Diameter - in.		18	18	18	22	22	
			Number of blades		3	3	4	4	4	4
			Motor hp		1/10	1/10	1/5	1/5	1/4	1/4
Shipping Data - lbs. 1 package			138	138	144	151	188	195	218	

ELECTRICAL DATA

Line voltage data - 60 hz - 1ph			208/230V	208/230V	208/230V	208/230V	208/230V	208/230V	208/230V		
³ Maximum overcurrent protection (amps)			20	25	25	35	45	50	60		
⁴ Minimum circuit ampacity			12.4	14.7	17.1	22.0	28.1	31.9	34.6		
Compressor			Rated load amps		9.4	11.2	12.8	16.7	21.2	24.2	26.3
Condenser Fan Motor			Full load amps		0.7	0.7	1.1	1.1	1.7	1.7	1.7

NOTE – Extremes of operating range are plus 10% and minus 5% of line voltage.

¹ Sound Rating Number rated in accordance with test conditions included in AHRI Standard 270.

² Refrigerant charge sufficient for 15 ft. length of refrigerant lines.

³ HACR type circuit breaker or fuse.

⁴ Refer to National or Canadian Electrical Code manual to determine wire, fuse and disconnect size requirements



NOTE – Due to Lennox' ongoing commitment to quality, Specifications, Ratings and Dimensions subject to change without notice and without incurring liability. Improper installation, adjustment, alteration, service or maintenance can cause property damage or personal injury. Installation and service must be performed by a qualified installer and servicing agency.



OPTIONAL ACCESSORIES - ORDER SEPARATELY

Model No.			XC20 XC25				XC21				SL18CX1					
			-024	-036	-048	-060	-024	-036	-048	-060	-024	-030	-036	-042	-048	-060
iComfort® S30 Thermostat	12U67		•	•	•	•	•	•	•	•	•	•	•	•	•	•
¹ Remote Outdoor Air Sensor	X2658						•	•	•	•						
² Discharge Air Temperature Sensor	88K38		•	•	•	•	•	•	•	•	•	•	•	•	•	•
Compressor Crankcase Heater	93M04															
	Factory						F	F	F	F						
Compressor Hard Start Kit	63W22						•									
	12J90								•	•						
Copeland	10J42						•	•								
LG	88M91										•	•	•	•	•	•
Compressor Low Ambient Cut-Off	45F08															
Compressor Time-Off Control	47J27						•	•	•	•	•	•	•	•	•	•
	47J35															
³ Freezestat 3/8 in. tubing	93G35		•	•	•	•	•	•	•	•	•	•	•	•	•	•
5/8 in. tubing	50A93		•	•	•	•	•	•	•	•	•	•	•	•	•	•
Indoor Blower Off Delay Relay	58M81						•	•	•	•	•	•	•	•	•	•
Indoor Blower Speed Relay	31960						•	•	•	•						
Loss of Charge Kit	84M23															
	Factory						F	F	F	F						
³ Low Ambient Kit (TXV systems only)	68M04						•	•	•	•	•	•	•	•	•	•
	34M72															
Refrigerant Line Sets	L15-41-20 L15-41-40 L15-41-30 L15-41-50										•	•				
	L15-65-30 L15-65-40 L15-65-50		•	•	•		•	•	•				•	•	•	
	Field Fabricate				•				•							•

¹ Remote Outdoor Temperature Sensor is used with conventional (non-iComfort® Communicating) outdoor units (sensor is furnished with iComfort® Communicating outdoor units). Allows the thermostat to display outdoor temperature. Required in dual-fuel and Humiditrol® applications.

² Optional for service diagnostics.

³ Crankcase Heater (if not furnished) and Freezestat are recommended with Low Ambient Kit.

F = Factory Installed



OPTIONAL ACCESSORIES - ORDER SEPARATELY

Model No.		EL16XC1								XC16			XC14						XC13													
		-018	-024	-030	-036	-041	-042	-047	-048	-060	-024	-036	-048	-060	-018	-024	-030	-036	-041	-042	-047	-048	-060	N018	N024	N030	N036	N042	N048	N060		
Compressor Crankcase Heater	93M04	•	•	•	•	•	•			•	•			•	•	•	•	•	•				•	•	•	•						
	93M05																													•	•	•
	Factory									F	F	F			F	F					F	F	F									
Compressor Hard Start Kit	Copeland 10J42	•	•	•			•	•		•	•			•	•	•	•	•	•	•	•		•	•	•	•	•	•	•	•		
	LG 88M91	•	•	•	•	•	•	•	•							•	•		•	•	•	•		•	•	•	•	•	•	•		
	63W22									•																						
	63W24											•																				
Compressor Sound Cover	27W55									•	•													•	•	•	•					
	27W56											•	•															•	•	•		
Compressor Low Ambient Cut-Off	45F08	•	•	•	•	•	•	•	•	•	•	•	•	•	•	•	•	•	•	•	•	•	•	•	•	•	•	•	•	•		
Compressor Time-Off Control	47J27									•	•	•	•	•	•	•	•	•	•	•	•	•	•	•	•	•	•	•	•	•		
	47J35	•	•	•	•	•	•	•	•																							
³ Freezestat	3/8 in. tubing 93G35	•	•	•	•	•	•	•	•	•	•	•	•	•	•	•	•	•	•	•	•	•	•	•	•	•	•	•	•	•		
	5/8 in. tubing 50A93	•	•	•	•	•	•	•	•	•	•	•	•	•	•	•	•	•	•	•	•	•	•	•	•	•	•	•	•	•		
Indoor Blower Off Delay Relay	58M81	•	•	•	•	•	•	•	•	•	•	•	•	•	•	•	•	•	•	•	•	•	•	•	•	•	•	•	•	•		
Indoor Blower Speed Relay	40K58									•	•	•	•																			
Loss of Charge Kit	84M23	•	•	•	•	•	•	•	•					•	•	•	•	•	•	•	•	•	•	•	•	•	•	•	•	•		
¹ Low Ambient Kit (TXV systems only)	34M72	•	•	•	•	•	•	•	•	•	•	•	•	•	•	•	•	•	•	•	•	•	•	•	•	•	•	•	•	•		
	68M04											•																				
Refrigerant Line Sets	L15-41-20 L15-41-40	•	•	•						•				•	•	•							•	•	•							
	L15-41-30 L15-41-50																															
	L15-65-30 L15-65-40 L15-65-50				•	•	•	•	•		•	•					•	•	•	•	•				•	•	•					
Field Fabricate									•			•																	•			

¹ Crankcase Heater (if not furnished) and Freezestat are recommended with Low Ambient Kit.
F = Factory Installed



OPTIONAL ACCESSORIES - ORDER SEPARATELY

	Model No.	16ACX				14ACX						ML14XC1						13ACX													
		-024	-036	-048	-060	-018	-024	-030	-036	-041	-042	-047	-048	-059	-060	-018	-024	-030	-036	-041	-042	-047	-048	-059	-060	N018	N024	N030	N036	N042	N048
Compressor Crankcase Heater	93M04	•	•			•	•	•	•	•					•	•	•	•	•						•	•	•	•			
	93M05																														
	Factory		F	F					F	F	F	F	F					F	F	F	F	F									
Compressor Hard Start Kit	Copeland - 10J42					•	•	•	•	•	•	•	•	•	•	•	•			•	•				•	•	•	•	•	•	•
	LG - 88M91						•	•		•		•		•	•	•	•	•	•	•	•	•	•	•	•	•	•	•	•	•	•
	63W22	•		•																											
	63W24		•	•																											
Compressor Sound Cover	27W55	•	•			•	•	•	•					•	•	•	•							•	•	•	•				
	27W56		•	•						•	•	•	•	•					•	•	•	•	•	•					•	•	•
Compressor Low Ambient Cut-Off	45F08	•	•	•	•	•	•	•	•	•	•	•	•	•	•	•	•	•	•	•	•	•	•	•	•	•	•	•	•	•	
Compressor Time-Off Control	47J27	•	•	•	•	•	•	•	•	•	•	•	•	•	•	•	•	•	•	•	•	•	•	•	•	•	•	•	•	•	
Freezestat 3/8 in. tubing	93G35	•	•	•	•	•	•	•	•	•	•	•	•	•	•	•	•	•	•	•	•	•	•	•	•	•	•	•	•	•	
	50A93	•	•	•	•	•	•	•	•	•	•	•	•	•	•	•	•	•	•	•	•	•	•	•	•	•	•	•	•	•	
Indoor Blower Off Delay Relay	58M81	•	•	•	•	•	•	•	•	•	•	•	•	•	•	•	•	•	•	•	•	•	•	•	•	•	•	•	•	•	
Loss of Charge Switch Kit	84M23					•	•	•	•	•	•	•	•	•	•	•	•	•	•	•	•	•	•	•	•	•	•	•	•	•	
1 Low Ambient Kit (TXV systems only)	34M72	•	•	•	•	•	•	•	•	•	•	•	•	•	•	•	•	•	•	•	•	•	•	•	•	•	•	•	•	•	
	68M04												•																		
Refrigerant Line Sets	L15-26-20																							•	•						
	L15-26-35																														
	L15-41-20	•				•	•	•						•	•	•										•	•	•			
	L15-41-30																														
Field Fabricate	L15-65-30		•	•					•	•	•	•	•					•	•	•	•	•								•	•
	L15-65-40																														
	L15-65-50																														
Unit Stand-Off Kit	94J45	•	•	•	•	•	•	•	•	•	•	•	•	•	•	•	•	•	•	•	•	•	•	•	•	•	•	•	•		

¹ Crankcase Heater and Freezestat are recommended with Low Ambient Kit.
F = Factory Installed



HEAT PUMP OUTDOOR UNITS XP25 DAVE LENNOX SIGNATURE® COLLECTION

PRODUCT CATALOG

R-410A - Variable-Capacity Scroll Compressor
SEER - Up to 23.50
2 to 5 Tons

FEATURES

Refrigerant System

Variable capacity scroll compressor with crankcase heater and sound cover.

Non-chlorine, ozone friendly, R-410A refrigerant.

Super-quiet outdoor fan with SilentComfort™ Technology

Variable-speed outdoor fan motor and specially designed fan blades reduce operating sound levels.

PVC coated, steel fan guard.

Factory installed, hi-capacity liquid line drier

Copper tube construction with enhanced ripple-edged aluminum fins.

Fully serviceable brass service valves

Outdoor unit expansion valve

Four-way interchange reversing valve.

iComfort® Communicating Control

iComfort® Control communicates information about the furnace to the optional iComfort® thermostat (required).



DC Inverter Control adjusts compressor output in increments as small as 1%.

High Pressure Switch

Low Pressure Switch

Precise Comfort™ Technology

The Variable Capacity Compressor and DC Inverter Control is an integrated system that operates together to reduce overall energy usage when compared to conventional air conditioners.

Cabinet

SmartHinge™ Louvered Coil Protection.

PermaGuard™ zinc-coated base.

Heavy-gauge galvanized steel cabinet with powder paint finish.



iComfort® S30
Ultra Smart Wi-Fi
Thermostat required.
Not furnished

LIMITED WARRANTY

Compressor - ten years.

All covered components - ten years
Refer to Lennox Equipment Limited Warranty certificate included with equipment for details.

NOTE - The Dave Lennox Signature Collection XP25 Heat Pump can only be used with the iComfort® S30 Thermostat.

NOTE - The XP25 can only be matched with iComfort® Communicating variable-speed indoor furnaces and air handlers.

AHRI RATINGS

See AHRI Ratings Supplement

REQUIRED CONTROLS

- iComfort® S30 Thermostat
- Discharge Air Temperature Sensor

ACCESSORIES

See page 25

Cabinet

- Snow Guard

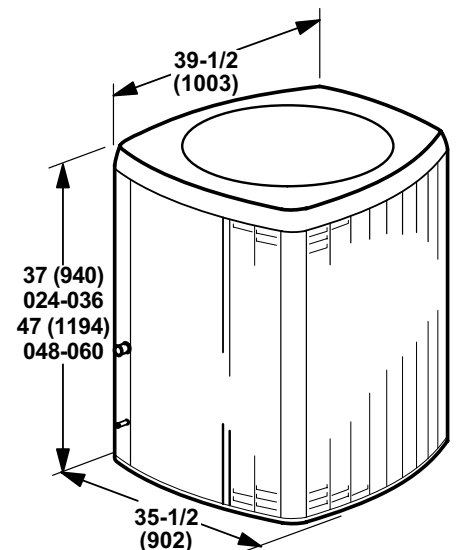
Controls

- Freezestat

Refrigerant System

- Expansion Valve Kits
- Refrigerant Line Kits

DIMENSIONS



NOTE - Due to Lennox' ongoing commitment to quality, Specifications, Ratings and Dimensions subject to change without notice and without incurring liability. Improper installation, adjustment, alteration, service or maintenance can cause property damage or personal injury. Installation and service must be performed by a qualified installer and servicing agency.

SPECIFICATIONS

General Data		Model No.	XP25-024	XP25-036	XP25-048	XP25-060
		Nominal Tonnage	2	3	4	5
		Indoor Unit Expansion Valve (TXV) (If needed)	12J18	12J19	12J20	12J20
¹ Sound Rating Number (dBA)	Min.		58	58	64	64
	Max.		68	73	74	74
Connections (sweat)	Liquid line (o.d.) - in.		3/8	3/8	3/8	3/8
	Vapor line (o.d.) - in.		7/8	7/8	7/8	1-1/8
Refrigerant	² R-410A charge furnished		11 lbs. 5 oz.	11 lbs. 8 oz.	13 lbs. 14 oz.	13 lbs. 0 oz.
Outdoor Fan	Diameter - in.		26	26	26	26
	No. of blades		3	3	3	3
	Motor hp (W)		1/3	1/3	1/3	1/3
Shipping Data - lbs. - 1 pkg.			277	277	341	335

ELECTRICAL DATA

Line voltage data - 60hz - 1 ph		208/230V	208/230V	208/230V	208/230V
³ Maximum overcurrent protection (amps)		25	30	50	50
⁴ Minimum circuit ampacity		15.7	20.3	33.7	34.9
Compressor	Rated load amps	10.3	14.0	24.7	25.7
Outdoor Coil Fan Motor	Full load amps	2.8	2.8	2.8	2.8

REQUIRED COMPONENTS - ORDER SEPARATELY

iComfort® S30 Thermostat	12U67	12U67	12U67	12U67
⁵ Discharge Temperature Sensor	88K38	88K38	88K38	88K38

NOTE - Extremes of operating range are plus 10% and minus 5% of line voltage.

¹ Sound Rating Number in accordance with test conditions included in AHRI Standard 270.

² Refrigerant charge sufficient for 15 ft. length of refrigerant lines. For longer line set requirements see the Installation Instructions for information about line set length and additional refrigerant charge required.

³ HACR type breaker or fuse.

⁴ Refer to National or Canadian Electrical Code manual to determine wire, fuse and disconnect size requirements.

⁵ Optional for service diagnostics.



NOTE - Due to Lennox' ongoing commitment to quality, Specifications, Ratings and Dimensions subject to change without notice and without incurring liability. Improper installation, adjustment, alteration, service or maintenance can cause property damage or personal injury. Installation and service must be performed by a qualified installer and servicing agency.



HEAT PUMP OUTDOOR UNITS XP21 DAVE LENNOX SIGNATURE® COLLECTION

PRODUCT CATALOG

R-410A - Two-Stage Scroll Compressor - SilentComfort™ Technology
SEER - Up to 19.20
2 to 5 Tons

Page 3
April 2019
Supersedes February 2019

FEATURES

Refrigerant System

- Two-Stage scroll compressor with crankcase heater.
- Non-chlorine, ozone friendly, R-410A refrigerant.
- Super-quiet outdoor fan with SilentComfort™ Technology.
- Variable-speed outdoor fan motor and specially designed fan blades reduce operating sound levels.
- PVC coated, steel fan guard.
- Factory installed, hi-capacity liquid line drier.
- Copper tube construction with enhanced ripple-edged aluminum fins.
- Fully serviceable brass service valves.
- Outdoor unit expansion valve.
- Four-way interchange reversing valve.

iComfort® Communicating Control

iComfort® Control communicates information about the furnace to the optional iComfort® thermostat. So simple. So smart. So comfortable.



- Intellifrost™ Adaptive Defrost Control.
- High Pressure Switch.
- Low Pressure Switch.
- Discharge Temperature Switch.

Cabinet

- SmartHinge™ Louvered Coil Protection.
- PermaGuard™ zinc-coated base.
- Heavy-gauge galvanized steel cabinet with powder paint finish.
- Compressor and control box located in a separate compartment, insulated with thick fiberglass insulation.



AHRI RATINGS

See AHRI Ratings Supplement

ACCESSORIES

See page 25

Cabinet

- Snow Guard

Compressor

- Compressor Hard Start Kit
- Compressor Low Ambient Cut-Out

Controls

- iComfort® S30 Thermostat
- Thermostat
- Freezestat
- Indoor Blower Off Delay Relay
- Low Ambient Kit
- Mild Weather Kit
- Monitor Kit (Service Light)
- Outdoor Thermostat Kit

Refrigerant System

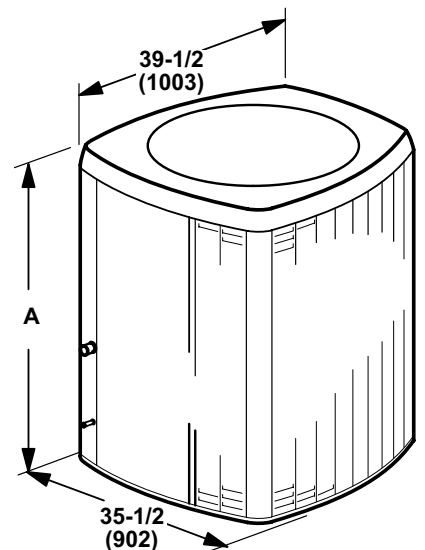
- Check/Expansion Valve Kits
- Refrigerant Line Kits

LIMITED WARRANTY

Compressor - ten years.
All covered components - ten years
Refer to Lennox Equipment Limited Warranty certificate included with equipment for details.

Model No.	A
XP21-024 XP21-036	37 (940)
XP21-048 XP21-060	47 (1194)

DIMENSIONS



NOTE - Due to Lennox' ongoing commitment to quality, Specifications, Ratings and Dimensions subject to change without notice and without incurring liability. Improper installation, adjustment, alteration, service or maintenance can cause property damage or personal injury. Installation and service must be performed by a qualified installer and servicing agency.

SPECIFICATIONS

General Data	Model No.	XP21-024	XP21-036	XP21-048	XP21-060
Nominal Tonnage		2	3	4	5
Indoor Unit Expansion Valve (TXV) (If needed)		12J18	12J19	12J20	12J20
¹ Sound Rating Number (dBA)		67	72	73	73
Connections (sweat)	Liquid line (o.d.) - in.	3/8	3/8	3/8	3/8
	Vapor line (o.d.) - in.	7/8	7/8	7/8	1-1/8
Refrigerant	² R-410A charge furnished	10 lbs. 10 oz.	9 lbs. 12 oz.	12 lbs. 10 oz.	12 lbs. 7 oz.
Outdoor Fan	Diameter - in.	26	26	26	26
	No. of blades	5	5	5	5
	Motor hp (W)	1/3	1/3	1/3	1/3
Shipping Data - lbs. 1 pkg.		297	303	346	381

ELECTRICAL DATA

Line voltage data - 60hz - 1 ph		208/230V	208/230V	208/230V	208/230V
³ Maximum overcurrent protection (amps)		25	35	45	60
⁴ Minimum circuit ampacity		16.6	21.1	28.5	38
Compressor	Rated load amps	11.7	15.3	21.2	28.8
Outdoor Coil Fan Motor	Full load amps	2.0	2.0	2.0	2.0

NOTE - Extremes of operating range are plus 10% and minus 5% of line voltage.

¹ Sound Rating Number in accordance with test conditions included in AHRI Standard 270.

² Refrigerant charge sufficient for 15 ft. length of refrigerant lines.

³ HACR type breaker or fuse.

⁴ Refer to National or Canadian Electrical Code manual to determine wire, fuse and disconnect size requirements.



NOTE - Due to Lennox' ongoing commitment to quality, Specifications, Ratings and Dimensions subject to change without notice and without incurring liability. Improper installation, adjustment, alteration, service or maintenance can cause property damage or personal injury. Installation and service must be performed by a qualified installer and servicing agency.



PRODUCT CATALOG

**HEAT PUMP OUTDOOR UNITS
SL18XP1**

DAVE LENNOX SIGNATURE® COLLECTION

R-410A - Scroll Compressor - SilentComfort™ Technology
SEER - Up to 18.50
2 to 5 Tons

Page 5
April 2019
Supersedes February 2019

FEATURES

Refrigerant System

- Scroll Compressor with crankcase heater and sound cover.
- Non-chlorine, ozone friendly, R-410A refrigerant.
- Lennox Quantum™ Coil - Aluminum tube construction with enhanced ripple-edged aluminum fins.
- Super-quiet outdoor fan with SilentComfort™ Technology
- Variable-speed outdoor fan motor and specially designed fan blades reduce operating sound levels.
- PVC coated, steel fan guard.
- Factory installed, hi-capacity liquid line drier.
- Fully serviceable brass service valves.
- Outdoor unit expansion valve.
- Four-way interchange reversing valve.

iComfort® Communicating Control

iComfort® Control communicates information about the furnace to the optional iComfort® thermostat. So simple. So smart. So comfortable.



Intellifrost™ Adaptive Defrost Control.

High Pressure Switch.

Low Pressure Switch.

Discharge Temperature Switch.

Cabinet

- SmartHinge™ Louvered Coil Protection.
- PermaGuard™ zinc-coated base.
- Heavy-gauge galvanized steel cabinet with powder paint finish.



AHRI RATINGS

See AHRI Ratings Supplement

ACCESSORIES

See page 25

Cabinet

- Snow Guard

Compressor

- Compressor Hard Start Kit
- Compressor Low Ambient Cut-Out

Controls

- iComfort® S30 Thermostat
- Thermostat
- Freezestat
- Indoor Blower Off Delay Relay
- Low Ambient Kit
- Mild Weather Kit
- Monitor Kit (Service Light)
- Outdoor Thermostat Kit

Refrigerant System

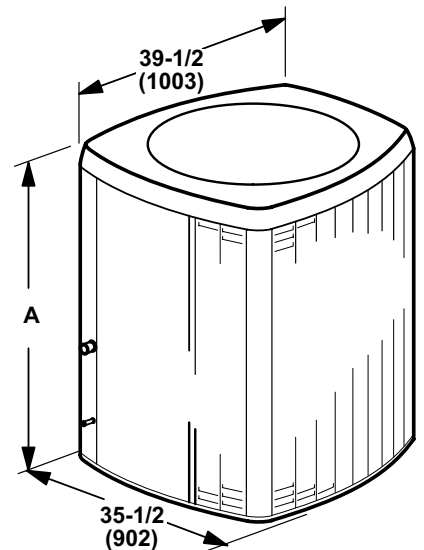
- Check/Expansion Valve Kits
- Refrigerant Line Kits

LIMITED WARRANTY

Compressor - ten years.
All covered components - ten years
Refer to Lennox Equipment Limited Warranty certificate included with equipment for details.

Model No.	A
SL18XP1-024	37 (940)
SL18XP1-030	
SL18XP1-036	41 (1041)
SL18XP1-042	
SL18XP1-048	47 (1194)
SL18XP1-060	

DIMENSIONS



NOTE - Due to Lennox' ongoing commitment to quality, Specifications, Ratings and Dimensions subject to change without notice and without incurring liability. Improper installation, adjustment, alteration, service or maintenance can cause property damage or personal injury. Installation and service must be performed by a qualified installer and servicing agency.

SPECIFICATIONS

General Data		Model No.	SL18XP1-024	SL18XP1-030	SL18XP1-036	SL18XP1-042	SL18XP1-048	SL18XP1-060
Nominal Tonnage			2	2.5	3	3.5	4	5
Indoor Unit Expansion Valve (TXV) (If needed)			12J18	12J18	12J19	12J20	12J20	12J20
¹ Sound Rating Number (dBA)			67	69	70	70	70	73
Connections (sweat)	Liquid line (o.d.) - in.		3/8	3/8	3/8	3/8	3/8	3/8
	Vapor (Suction) line (o.d.) - in.		3/4	3/4	7/8	7/8	7/8	1-1/8
Refrigerant ² R-410A charge furnished			8 lbs. 6 oz.	8 lbs. 10 oz.	9 lbs. 14 oz.	9 lbs. 11 oz.	11 lbs. 0 oz.	10 lbs. 5 oz.
Outdoor Fan		Diameter - in.	26	26	26	26	26	26
		No. of blades	3	3	3	3	3	3
		Motor hp	1/3	1/3	1/3	1/3	1/3	1/3
		Cfm	2600	2800	3650	3650	4000	4300
		Rpm	730	800	800	800	800	875
		Watts	65	85	160	160	160	200
Shipping Data - lbs. 1 pkg.			253	257	271	294	319	321

ELECTRICAL DATA

Line voltage data - 60hz - 1 ph		208/230V	208/230V	208/230V	208/230V	208/230V	208/230V
³ Maximum overcurrent protection (amps)		25	30	35	40	45	60
⁴ Minimum circuit ampacity		20.0	20.0	22.0	25.2	26.8	32.4
Compressor	Rated load amps	10.9	13.5	15.4	17.9	19.2	23.7
	Locked rotor amps	59.3	72.5	83.9	112.0	117.0	152.5
	Power factor	0.98	0.98	0.98	0.97	0.97	0.98
Outdoor Fan Motor	Full load amps	2.8	2.8	2.8	2.8	2.8	2.8

NOTE – Extremes of operating range are plus 10% and minus 5% of line voltage.

¹ Sound Rating Number in accordance with test conditions included in AHRI Standard 270.

² Refrigerant charge sufficient for 15 ft. length of refrigerant lines.

³ HACR type breaker or fuse.

⁴ Refer to National or Canadian Electrical Code manual to determine wire, fuse and disconnect size requirements.



NOTE – Due to Lennox' ongoing commitment to quality, Specifications, Ratings and Dimensions subject to change without notice and without incurring liability. Improper installation, adjustment, alteration, service or maintenance can cause property damage or personal injury. Installation and service must be performed by a qualified installer and servicing agency.



HEAT PUMP OUTDOOR UNITS XP20 ELITE® SERIES

PRODUCT CATALOG

R-410A - Variable-Capacity Scroll Compressor
SEER - Up to 20.00
2 to 5 Tons

FEATURES

Refrigerant System

Variable capacity scroll compressor with crankcase heater.
Non-chlorine, ozone friendly, R-410A refrigerant.

Variable-Speed Outdoor Coil Fan Motor With Integrated Control is programmed for variable capacity operation. Fan speed is directly controlled by the iComfort® communications between the outdoor unit iComfort® control and the iComfort® Thermostat.

PVC coated, steel fan guard.

Factory installed, hi-capacity liquid line drier.

Copper tube construction with enhanced ripple-edged aluminum fins.

Fully serviceable brass service valves.

Outdoor unit expansion valve.

Four-way interchange reversing valve.

iComfort® Communicating Control

iComfort® Control communicates information about the furnace to the iComfort® thermostat (required).



High Pressure Switch.

Low Pressure Switch.

Discharge Temperature Switch.

Defrost control with integrated anti-short cycle.

Precise Comfort™ Technology

The Variable Capacity Compressor and DC Inverter Control is an integrated system that operates together to reduce overall energy usage when compared to conventional heat pumps.

Cabinet

Heavy-gauge galvanized steel cabinet with pre-painted finish.

SmartHinge™ Louvered Coil Protection.

PermaGuard™ zinc-coated base.



iComfort® S30 Ultra Smart Wi-Fi Thermostat required. Not furnished

NOTE - The XP20 Heat Pump can only be used with the iComfort® S30 Thermostat.

NOTE - The XP20 can only be matched with iComfort® Communicating variable-speed indoor furnaces and air handlers.

LIMITED WARRANTY

Compressor - ten years.

All covered components - five years

Refer to Lennox Equipment Limited Warranty certificate included with equipment for details.

Model No.	A	B	C
XP20-024	39 (991)	35-1/2 (902)	39-1/2 (1003)
XP20-036	39 (991)	35-1/2 (902)	39-1/2 (1003)
XP20-048	45 (1143)	35-1/2 (902)	39-1/2 (1003)
XP20-060	45 (1143)	35-1/2 (902)	39-1/2 (1003)

AHRI RATINGS

See AHRI Ratings Supplement

REQUIRED CONTROLS

- iComfort® S30 Thermostat
- Discharge Air Temperature Sensor

ACCESSORIES

See page 25

Cabinet

- Snow Guard

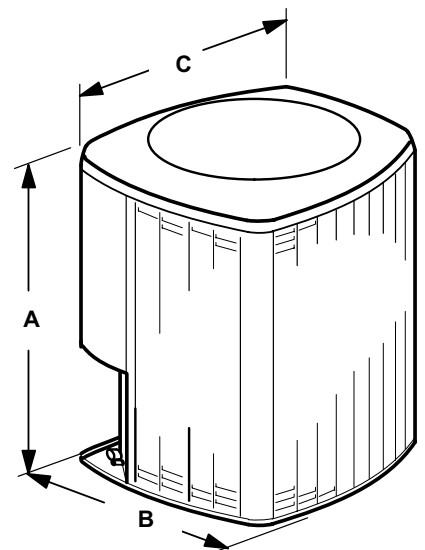
Controls

- Freezestat

Refrigerant System

- Check/Expansion Valve Kits
- Refrigerant Line Kits

DIMENSIONS



NOTE - Due to Lennox' ongoing commitment to quality, Specifications, Ratings and Dimensions subject to change without notice and without incurring liability. Improper installation, adjustment, alteration, service or maintenance can cause property damage or personal injury. Installation and service must be performed by a qualified installer and servicing agency.

SPECIFICATIONS

General Data		Model No.	XP20-024	XP20-036	XP20-048	XP20-060
	Nominal Tonnage		2	3	4	5
	Indoor Unit Expansion Valve (TXV) (If needed)		12J18	12J19	12J20	12J20
¹ Sound Rating Number (dBA)	Min.		65	67	68	69
	Max.		72	75	75	75
Connections (sweat)	Liquid line (o.d.) - in.		3/8	3/8	3/8	3/8
	Vapor line (o.d.) - in.		3/4	7/8	7/8	1-1/8
Refrigerant	² R-410A charge furnished		7 lbs. 9 oz.	10 lbs. 11 oz.	12 lbs. 11 oz.	13 lbs. 15 oz.
Outdoor Fan	Diameter - in.		26	26	26	26
	No. of blades		3	3	3	3
	Motor hp (W)		1/3	1/3	1/3	1/3
Shipping Data - lbs. - 1 pkg.			247	280	326	330

ELECTRICAL DATA

	Line voltage data - 60hz		208/230V-1ph	208/230V-1ph	208/230V-1ph	208/230V-1ph
	³ Maximum overcurrent protection (amps)		30	35	50	60
	⁴ Minimum circuit ampacity		19.1	20.8	29.3	34.9
Compressor	Rated load amps		13.0	14.4	21.2	25.7
Outdoor Coil Fan Motor	Full load amps		2.8	2.8	2.8	2.8

REQUIRED COMPONENTS - ORDER SEPARATELY

iComfort® S30 Ultra-Smart Communicating Thermostat	12U67	•	•	•	•
⁵ Discharge Temperature Sensor	88K38	•	•	•	•

NOTE - Extremes of operating range are plus 10% and minus 5% of line voltage.

¹ Sound Rating Number in accordance with test conditions included in AHRI Standard 270.

² Refrigerant charge sufficient for 15 ft. length of refrigerant lines. For longer line set requirements see the Installation Instructions for information about line set length and additional refrigerant charge required.

³ HACR type breaker or fuse.

⁴ Refer to National or Canadian Electrical Code manual to determine wire, fuse and disconnect size requirements.

⁵ Optional for service diagnostics.



NOTE - Due to Lennox' ongoing commitment to quality, Specifications, Ratings and Dimensions subject to change without notice and without incurring liability. Improper installation, adjustment, alteration, service or maintenance can cause property damage or personal injury. Installation and service must be performed by a qualified installer and servicing agency.



HEAT PUMP OUTDOOR UNITS XP16 ELITE® SERIES

PRODUCT CATALOG

R-410A - Two-Stage Scroll Compressor
SEER - Up to 17.00
2 to 5 Tons

Page 9

April 2019

Supersedes February 2019

FEATURES

Refrigerant System

- Two-Stage scroll compressor with crankcase heater.
- Non-chlorine, ozone friendly, R-410A refrigerant.
- PVC coated, steel fan guard.
- Factory installed, hi-capacity liquid line drier.
- Copper tube construction with enhanced ripple-edged aluminum fins.
- Fully serviceable brass service valves.
- Outdoor unit expansion valve.
- Four-way interchange reversing valve.

Controls

- High Pressure Switch.
- Low Pressure Switch.
- Discharge Temperature Switch.
- Defrost control with integrated anti-short cycle.

Cabinet

- Heavy-gauge galvanized steel cabinet with pre-painted finish.
- SmartHinge™ Louvered Coil Protection.
- PermaGuard™ zinc-coated base.



AHRI RATINGS

See AHRI Ratings Supplement

ACCESSORIES

See page 25

Cabinet

- Snow Guard

Compressor

- Compressor Hard Start Kit
- Compressor Low Ambient Cut-Out

Controls

- Freezestat
- Low Ambient Kit
- Indoor Blower Off Delay Relay
- Indoor Blower Speed Relay Kit
- Mild Weather Kit
- Monitor Kit (Service Light)
- Outdoor Thermostat Kit
- Thermostat

Refrigerant System

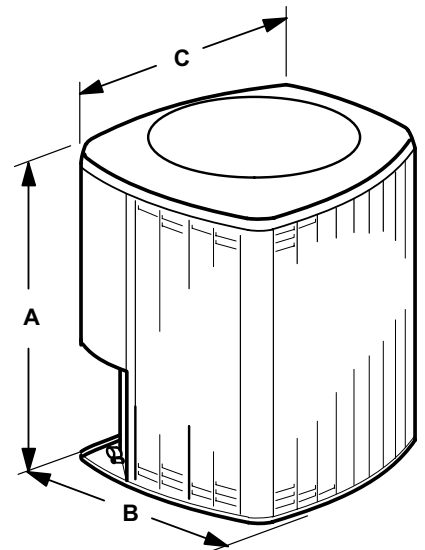
- Check/Expansion Valve Kits
- Refrigerant Line Kits

LIMITED WARRANTY

Compressor - ten years.
All covered components - five years
Refer to Lennox Equipment Limited Warranty certificate included with equipment for details.

Model No.	A	B	C
XP16-024	35 (889)	27 (729)	28 (711)
XP16-036	35 (889)	35-1/2 (902)	39-1/2 (1003)
XP16-048	35 (889)	35-1/2 (902)	39-1/2 (1003)
XP16-060	45 (1143)	35-1/2 (902)	39-1/2 (1003)

DIMENSIONS



NOTE - Due to Lennox' ongoing commitment to quality, Specifications, Ratings and Dimensions subject to change without notice and without incurring liability. Improper installation, adjustment, alteration, service or maintenance can cause property damage or personal injury. Installation and service must be performed by a qualified installer and servicing agency.

SPECIFICATIONS

General Data		Model No.	XP16-024	XP16-036	XP16-048	XP16-060
	Nominal Tonnage		2	3	4	5
	Indoor Unit Expansion Valve (TXV) (If needed)		12J18	12J19	12J20	12J20
¹ Sound Rating Number (dBA)			74	76	76	78
Connections (sweat)	Liquid line (o.d.) - in.		3/8	3/8	3/8	3/8
	Vapor line (o.d.) - in.		3/4	7/8	7/8	1-1/8
Refrigerant	¹ R-410A charge furnished		7 lbs. 14 oz.	10 lbs. 11 oz.	9 lbs. 9 oz.	11 lbs. 8 oz.
Outdoor Fan	Diameter - in.		18	26	26	26
	No. of blades		3	3	3	3
	Motor hp		1/10	1/3	1/3	1/3
Shipping Data	lbs. - 1 package		222	273	294	353

ELECTRICAL DATA

	Line voltage data - 60hz - 1 ph		⁵ 230V	⁵ 230V	⁵ 230V	⁵ 230V
	³ Maximum overcurrent protection (amps)		25	35	45	60
	⁴ Minimum circuit ampacity		15.3	20.8	28.3	36.8
Compressor	Rated load amps		11.70	15.30	21.20	27.10
Outdoor Coil Fan Motor	Full load amps		0.7	1.7	1.8	2.8

NOTE – Extremes of operating range are plus 10% and minus 5% of line voltage.

¹ Sound Rating Number in accordance with test conditions included in AHRI Standard 270.

² Refrigerant charge sufficient for 15 ft. length of refrigerant lines.

³ HACR type breaker or fuse.

⁴ Refer to National or Canadian Electrical Code manual to determine wire, fuse and disconnect size requirements.

⁵ Hard start kit is required in applications where the supply voltage is less than 230V.



Intertek

NOTE – Due to Lennox' ongoing commitment to quality, Specifications, Ratings and Dimensions subject to change without notice and without incurring liability. Improper installation, adjustment, alteration, service or maintenance can cause property damage or personal injury. Installation and service must be performed by a qualified installer and servicing agency.



HEAT PUMP OUTDOOR UNITS

EL16XP1 ELITE® SERIES

PRODUCT CATALOG

R-410A - Scroll Compressor
SEER - Up to 17.00
1.5 to 5 Tons

Page 11

April 2019

Supersedes February 2019

FEATURES

Refrigerant System

Scroll Compressor with sound cover.
Crankcase Heater (-036-042-048-060).

Non-chlorine, ozone friendly, R-410A refrigerant.

Lennox Quantum™ Coil - Aluminum tube construction with enhanced ripple-edged aluminum fins.

Fully serviceable brass service valves.

Factory installed, hi-capacity liquid line drier.

Four-Way interchange reversing valve.

Totally enclosed, direct drive outdoor fan motor with ball bearings.

PVC coated, steel fan guard.

Controls

High Pressure Switch.

Low Pressure Switch.

Defrost Control with integrated anti-short cycle.

Cabinet

Heavy-gauge galvanized steel cabinet with pre-painted finish.

SmartHinge™ Louvered Coil Protection.

PermaGuard™ zinc-coated base.



AHRI RATINGS

See AHRI Ratings Supplement

ACCESSORIES

See

Compressor

- Compressor Crankcase Heater (-018-024-030)
- Compressor Hard Start Kit
- Compressor Low Ambient Cut-Off

Controls

- Freezestat
- Indoor Blower Off Delay Relay
- Loss of Charge Switch Kit
- Low Ambient Kit
- Mild Weather Kit
- Monitor Kit (Service Light)
- Outdoor Thermostat Kit
- Thermostat

Refrigerant System

- Check/Expansion Valve Kits
- Refrigerant Line Kits

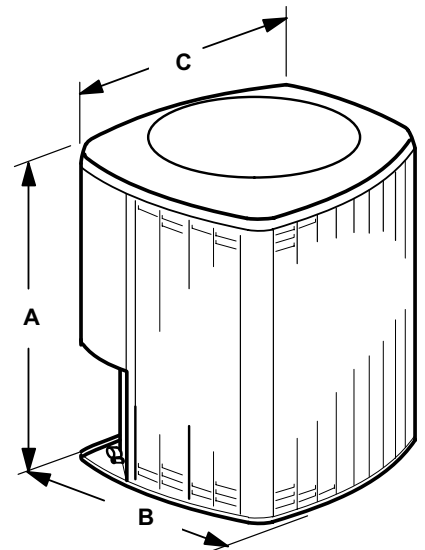
LIMITED WARRANTY

Compressor - ten years.

All covered components - five years
Refer to Lennox Equipment Limited Warranty certificate included with equipment for details.

DIMENSIONS

Model No.	A	B	C
EL16XP1-018	45 (1143)	30-1/2 (775)	35 (889)
EL16XP1-024 EL16XP1-030	35 (889)	30-1/2 (775)	35 (889)
EL16XP1-036	35 (889)	35-1/2 (902)	39-1/2 (1003)
EL16XP1-042 EL16XP1-048 EL16XP1-060	45 (1143)	35-1/2 (902)	39-1/2 (1003)



NOTE - Due to Lennox' ongoing commitment to quality, Specifications, Ratings and Dimensions subject to change without notice and without incurring liability. Improper installation, adjustment, alteration, service or maintenance can cause property damage or personal injury. Installation and service must be performed by a qualified installer and servicing agency.

SPECIFICATIONS						
General Data		Model No.	EL16XP1-018	EL16XP1-024	EL16XP1-030	EL16XP1-036
		Nominal Tonnage	1.5	2	2.5	3
		Indoor Unit Expansion Valve (TXV) (If needed)	12J18	12J18	12J18	12J19
¹ Sound Rating Number (dBA)			71	72	72	72
Connections (sweat)		Liquid line (o.d.) - in.	3/8	3/8	3/8	3/8
		Suction line (o.d.) - in.	3/4	3/4	3/4	7/8
Refrigerant		² R-410A charge furnished	6 lbs. 6 oz.	6 lbs. 11 oz.	7 lbs. 10 oz.	8 lbs. 7 oz.
Outdoor Fan		Diameter - in.	22	22	22	26
		No. of blades	3	3	3	3
		Motor hp	1/6	1/6	1/6	1/3
Shipping Data - lbs. 1 pkg.			213	211	211	214
ELECTRICAL DATA						
		Line voltage data - 60hz	208/230V-1ph	208/230V-1ph	208/230V-1ph	208/230V-1ph
		³ Maximum overcurrent protection (amps)	20	20	25	35
		⁴ Minimum circuit ampacity	12.2	13.6	16.4	20.9
Compressor		Rated load amps	9	10.1	12.3	14.7
		Locked rotor amps	48	52	63	75
		Power factor	0.98	0.98	0.96	0.99
Outdoor Fan Motor		Full load amps	1.0	1.0	1.0	2.6
		Locked rotor amps	1.9	1.9	1.9	---

SPECIFICATIONS					
General Data		Model No.	EL16XP1-042	EL16XP1-048	EL16XP1-060
		Nominal Tonnage	3.5	4	5
		Indoor Unit Expansion Valve (TXV) (If needed)	12J20	12J20	12J20
¹ Sound Rating Number (dBA)			73	73	73
Connections (sweat)		Liquid line (o.d.) - in.	3/8	3/8	3/8
		Suction line (o.d.) - in.	7/8	7/8	1-1/8
Refrigerant		² R-410A charge furnished	10 lbs. 12 oz.	10 lbs. 7 oz.	10 lbs. 4 oz.
Outdoor Fan		Diameter - in.	26	26	26
		No. of blades	3	3	4
		Motor hp	1/3	1/3	1/3
Shipping Data - lbs. 1 pkg.			294	294	300
ELECTRICAL DATA					
		Line voltage data - 60hz	208/230V-1ph	208/230V-1ph	208/230V-1ph
		³ Maximum overcurrent protection (amps)	40	40	50
		⁴ Minimum circuit ampacity	25	25.8	30.4
Compressor		Rated load amps	15.9	18.5	22.2
		Locked rotor amps	112.3	124	127.9
		Power factor	0.99	0.99	0.99
Outdoor Fan Motor		Full load amps	2.6	2.6	2.6

NOTE - Extremes of operating range are plus 10% and minus 5% of line voltage.

¹ Sound Rating Number rated in accordance with test conditions included in AHRI Standard 270.

² Refrigerant charge sufficient for 15 ft. length of refrigerant lines. For longer line set requirements see the Installation Instructions for information about line set length and additional refrigerant charge required.

³ HACR type breaker or fuse.

⁴ Refer to National or Canadian Electrical Code manual to determine wire, fuse and disconnect size requirements.



NOTE - Due to Lennox' ongoing commitment to quality, Specifications, Ratings and Dimensions subject to change without notice and without incurring liability. Improper installation, adjustment, alteration, service or maintenance can cause property damage or personal injury. Installation and service must be performed by a qualified installer and servicing agency.



HEAT PUMP OUTDOOR UNITS

EL15XP1 ELITE® SERIES

PRODUCT CATALOG

R-410A - Scroll Compressor
SEER - Up to 17.90
1.5 to 5 Tons

Page 13

April 2019

Supersedes February 2019

FEATURES

Refrigerant System

- Scroll Compressor with crankcase heater and sound cover.
- Non-chlorine, ozone friendly, R-410A refrigerant.
- Lennox Quantum™ Coil - Aluminum tube construction with enhanced ripple-edged aluminum fins.
- Fully serviceable brass service valves.
- Factory installed, hi-capacity liquid line drier.
- Four-Way interchange reversing valve.
- Totally enclosed, direct drive outdoor fan motor with sleeve bearings.
- PVC coated, steel fan guard.

Controls

- High Pressure Switch.
- Low Pressure Switch.
- Defrost Control with integrated anti-short cycle.

Cabinet

- Heavy-gauge galvanized steel cabinet with pre-painted finish.
- SmartHinge™ Louvered Coil Protection.
- PermaGuard™ zinc-coated base.



AHRI RATINGS

See AHRI Ratings Supplement

ACCESSORIES

See page 23

Compressor

- Compressor Hard Start Kit
- Compressor Low Ambient Cut-Off

Controls

- Freezestat
- Indoor Blower Off Delay Relay
- Low Ambient Kit
- Mild Weather Kit
- Monitor Kit (Service Light)
- Outdoor Thermostat Kit
- Thermostat

Refrigerant System

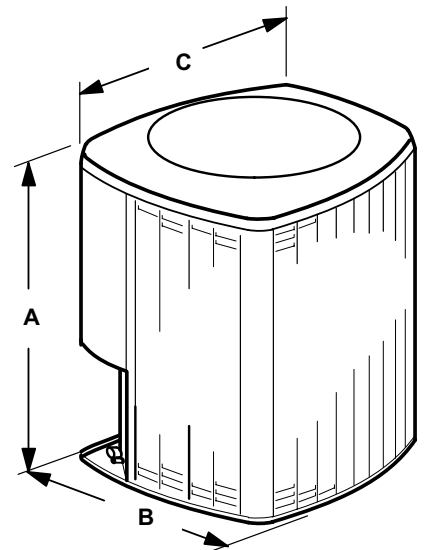
- Check/Expansion Valve Kits
- Refrigerant Line Kits

LIMITED WARRANTY

Compressor - ten years.
All covered components - five years
Refer to Lennox Equipment Limited Warranty certificate included with equipment for details.

Model No.	A	B	C
EL15XP1-018	45	30-1/2	35
EL15XP1-024	(1143)	(775)	(889)
EL15XP1-030			
EL15XP1-036	39	30-1/2	35
	(991)	(775)	(889)
EL15XP1-042	39	35-1/2	39-1/2
EL15XP1-048	(991)	(902)	(1003)
EL15XP1-060	45	35-1/2	39-1/2
	(1143)	(902)	(1003)

DIMENSIONS



NOTE - Due to Lennox' ongoing commitment to quality, Specifications, Ratings and Dimensions subject to change without notice and without incurring liability. Improper installation, adjustment, alteration, service or maintenance can cause property damage or personal injury. Installation and service must be performed by a qualified installer and servicing agency.

SPECIFICATIONS

General Data	Model No.	All Regions	EL15XP1-018	EL15XP1-024	EL15XP1-030	EL15XP1-036
		Nominal Tonnage	1.5	2	2.5	3
	Indoor Unit Expansion Valve (TXV) (If needed)		12J18	12J18	12J18	12J19
¹ Sound Rating Number (dBA)			71	71	71	72
Connections (sweat)		Liquid line (o.d.) - in.	3/8	3/8	3/8	3/8
		Suction line (o.d.) - in.	3/4	3/4	3/4	7/8
Refrigerant		² R-410A charge furnished	7 lbs. 0 oz.	7 lbs. 2 oz.	7 lbs 3 oz.	8 lbs. 10 oz.
Outdoor Fan		Diameter - in. and No. of blades	22 - 3	22 - 3	22 - 3	22 - 3
		Motor hp	1/6	1/6	1/6	1/6
		Cfm	2670	2670	2890	2870
		Rpm	867	867	847	839
		Watts	160	160	200	205
Shipping Data - lbs. 1 pkg.			213	213	213	229

ELECTRICAL DATA

		Line voltage data - 60hz	208/230V-1ph	208/230V-1ph	208/230V-1ph	208/230V-1ph
		³ Maximum overcurrent protection (amps)	20	20	25	30
		⁴ Minimum circuit ampacity	12.2	13.6	17.0	18.6
Compressor		Rated load amps	9.0	10.1	12.8	14.1
		Locked rotor amps	48	52	67.8	72.2
		Power factor	.98	.98	.96	.99
	Outdoor Fan Motor		Full load amps	1.0	1.0	1.0
		Locked rotor amps	1.9	1.9	1.9	1.9

SPECIFICATIONS

General Data	Model No.	All Regions	EL15XP1-042	EL15XP1-048	EL15XP1-060
		Nominal Tonnage	3.5	4	5
	Indoor Unit Expansion Valve (TXV) (If needed)		12J20	12J20	12J20
¹ Sound Rating Number (dBA)			72	73	73
Connections (sweat)		Liquid line (o.d.) - in.	3/8	3/8	3/8
		Suction line (o.d.) - in.	7/8	7/8	1-1/8
Refrigerant		² R-410A charge furnished	10 lbs. 11 oz.	10 lbs. 11 oz.	12 lbs. 5 oz.
Outdoor Fan		Diameter - in. and No. of blades	22 - 4	22 - 4	22 - 4
		Motor hp	1/4	1/4	1/4
		Cfm	4347	4347	4550
		Rpm	843	843	830
		Watts	299	299	307
Shipping Data - lbs. 1 pkg.			285	285	308

ELECTRICAL DATA

		Line voltage data - 60hz	208/230V-1ph	208/230V-1ph	208/230V-1ph
		³ Maximum overcurrent protection (amps)	45	45	50
		⁴ Minimum circuit ampacity	25.8	26.2	29.6
Compressor		Rated load amps	19.2	19.6	22.2
		Locked rotor amps	123.9	130	127.9
		Power factor	.96	.98	.99
	Outdoor Fan Motor		Full load amps	1.8	1.8
		Locked rotor amps	3.2	3.2	3.2

NOTE - Extremes of operating range are plus 10% and minus 5% of line voltage.

¹ Sound Rating Number rated in accordance with test conditions included in AHRI Standard 270.

² Refrigerant charge sufficient for 15 ft. length of refrigerant lines. For longer line set requirements see the Installation Instructions for information about line set length and additional refrigerant charge required.

³ HACR type breaker or fuse.

⁴ Refer to National or Canadian Electrical Code manual to determine wire, fuse and disconnect size requirements.



Intertek

NOTE - Due to Lennox' ongoing commitment to quality, Specifications, Ratings and Dimensions subject to change without notice and without incurring liability. Improper installation, adjustment, alteration, service or maintenance can cause property damage or personal injury. Installation and service must be performed by a qualified installer and servicing agency.



HEAT PUMP OUTDOOR UNITS XP14 ELITE® SERIES

PRODUCT CATALOG

R-410A
SEER - Up to 16.50
1.5 to 5 Tons

Page 15
April 2019
Supersedes February 2019

FEATURES

Refrigerant System

- Scroll compressor with sound cover.
- Crankcase Heater (-036-042-048-060).
- Non-chlorine, ozone friendly, R-410A refrigerant.
- Copper tube construction with enhanced ripple-edged aluminum fins.
- Fully serviceable brass service valves.
- Factory installed, hi-capacity liquid line drier.
- Outdoor unit expansion valve.
- Four-Way interchange reversing valve.
- Totally enclosed, direct drive outdoor fan motor with sleeve bearings.
- PVC coated, steel fan guard.

Controls

- High Pressure Switch.
- Low Pressure Switch.
- Defrost Control with integrated anti-short cycle.

Cabinet

- SmartHinge™ Louvered Coil Protection.
- PermaGuard™ zinc-coated base.
- Heavy-gauge galvanized steel cabinet with powder paint finish.
- Corner patch plate allows access to compressor components.



LIMITED WARRANTY

Compressor - ten years.
All covered components - five years
Refer to Lennox Equipment Limited Warranty certificate included with equipment for details.

Model No.	A	B	C
XP14-018	39 (991)	30-1/2 (775)	35 (889)
XP14-024 XP14-030	39 (991)	30-1/2 (775)	35 (889)
XP14-036	35 (889)	30-1/2 (775)	35 (889)
XP14-042 XP14-048	39 (991)	35-1/2 (902)	39-1/2 (1003)
XP14-060	45 (1143)	35-1/2 (902)	39-1/2 (1003)

AHRI RATINGS

See AHRI Ratings Supplement

ACCESSORIES

See page 25

Compressor

- Compressor Crankcase Heater (-018-024-030)
- Compressor Hard Start Kit
- Compressor Low Ambient Cut-Off

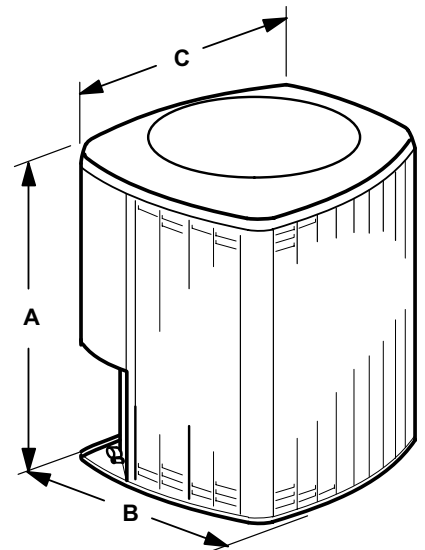
Controls

- Freezestat
- Indoor Blower Off Delay Relay
- Low Ambient Kit
- Mild Weather Kit
- Monitor Kit (Service Light)
- Outdoor Thermostat Kit
- Thermostat

Refrigerant System

- Check/Expansion Valve Kits
- Refrigerant Line Kits

DIMENSIONS



NOTE - Due to Lennox' ongoing commitment to quality, Specifications, Ratings and Dimensions subject to change without notice and without incurring liability. Improper installation, adjustment, alteration, service or maintenance can cause property damage or personal injury. Installation and service must be performed by a qualified installer and servicing agency.

SPECIFICATIONS

General Data	Model No.	XP14-018	XP14-024	XP14-030	XP14-036	XP14-042	XP14-048	XP14-060
Nominal Tonnage		1.5	2	2.5	3	3.5	4	5
Indoor Unit Expansion Valve (TXV) (If needed)		12J18	12J18	12J18	12J19	12J20	12J20	12J20
¹ Sound Rating Number (dBA)		71	71	71	71	71	73	73
Connections (sweat)	Liquid line o.d. - in.	3/8	3/8	3/8	3/8	3/8	3/8	3/8
	Vapor line o.d. - in.	3/4	3/4	3/4	7/8	7/8	7/8	1-1/8
¹ Refrigerant	R-410A charge furnished	5 lbs. 11 oz.	5 lbs. 14 oz.	5 lbs. 10 oz.	9 lbs. 6 oz.	11 lbs. 14 oz.	10 lbs. 7 oz.	12 lbs. 5 oz.
Outdoor Fan	Diameter - in.	22	22	22	22	26	26	26
	No. of Blades	3	3	3	3	4	4	4
	Motor hp	1/6	1/6	1/6	1/6	1/3	1/3	1/3
Shipping Data	lbs. - 1 package	213	213	213	236	310	312	339

ELECTRICAL DATA

Line voltage data - 60 hz - 1ph	208/230V	208/230V	208/230V	208/230V	208/230V	208/230V	208/230V	208/230V
² Maximum overcurrent protection (amps)	20	30	30	30	40	50	50	50
³ Minimum circuit ampacity	12.2	17.9	17.4	18.7	24.2	29.0	29.4	29.4
Compressor	Rated load amps	9.0	13.5	13.1	14.08	17.92	21.76	22.10
Outdoor Fan Motor	Full load amps	1.0	1.1	1.1	1.1	1.8	1.8	1.8

NOTE – Extremes of operating range are plus 10% and minus 5% of line voltage.

¹ Sound Rating Number in accordance with test conditions included in AHRI Standard 270.

² Refrigerant charge sufficient for 15 ft. length of refrigerant lines.

³ HACR type breaker or fuse.

⁴ Refer to National or Canadian Electrical Code manual to determine wire, fuse and disconnect size requirements.



NOTE – Due to Lennox' ongoing commitment to quality, Specifications, Ratings and Dimensions subject to change without notice and without incurring liability. Improper installation, adjustment, alteration, service or maintenance can cause property damage or personal injury. Installation and service must be performed by a qualified installer and servicing agency.



HEAT PUMP OUTDOOR UNITS ML16XP1 MERIT® SERIES

PRODUCT CATALOG

R-410A
SEER - Up to 17.00
1.5 to 5 Tons

Page 17

April 2019

Supersedes February 2019

FEATURES

Refrigerant System

Scroll Compressor.

Non-chlorine, ozone friendly, R-410A refrigerant.

Lennox Quantum™ Coil - Aluminum tube construction with enhanced ripple-edged aluminum fins.

Fully serviceable brass service valves.

Factory installed, hi-capacity liquid line drier.

Totally enclosed, direct drive outdoor fan motor with ball bearings.

Outdoor unit expansion valve.

Four-way interchange reversing valve.

Controls

Defrost control with integrated anti-short cycle.

High Pressure Switch.

Low Pressure Switch.

Cabinet

Steel louvered panels provide complete coil protection.

Louvered steel top fan guard.

PermaGuard™ zinc-coated base.

Heavy-gauge galvanized steel cabinet with powder paint finish.

Corner patch plate allows access to compressor components.



AHRI RATINGS

See AHRI Ratings Supplement

ACCESSORIES

See page 27

Cabinet

- Unit Stand-off Kit

Compressor

- Compressor Crankcase Heater
- Compressor Hard Start Kit
- Compressor Low Ambient Cut-Off
- Compressor Sound Cover

Controls

- Freezestat
- Indoor Blower Off Delay Relay
- Loss of Charge Switch
- Low Ambient Kit
- Mild Weather Kit
- Monitor Kit (Service Light)
- Outdoor Thermostat Kit
- Thermostat

Refrigerant System

- Check/Expansion Valve Kits
- Refrigerant Line Kits

LIMITED WARRANTY

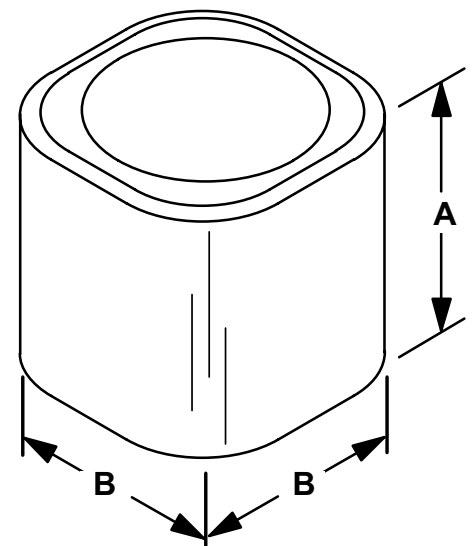
Compressor - five years.

All covered components - five years.

Refer to Lennox Equipment Limited Warranty certificate included with equipment for details.

Model No.	A	B
ML16XP1-018	43-1/4 (1099)	28-1/4 (718)
ML16XP1-024 ML16XP1-030	33-1/4 (845)	28-1/4 (718)
ML16XP1-036	33-1/4 (845)	32-1/4 (819)
ML16XP1-042 ML16XP1-048 ML16XP1-060	43-1/4 (1099)	32-1/4 (819)

DIMENSIONS



NOTE - Due to Lennox' ongoing commitment to quality, Specifications, Ratings and Dimensions subject to change without notice and without incurring liability. Improper installation, adjustment, alteration, service or maintenance can cause property damage or personal injury. Installation and service must be performed by a qualified installer and servicing agency.

SPECIFICATIONS

General Data	Model No.	ML16XP1-018	ML16XP1-024	ML16XP1-030	ML16XP1-036
Nominal Tonnage		1.5	2	2.5	3
Indoor Unit Expansion Valve (TXV) (If needed)		12J18	12J18	12J18	12J19
¹ Sound Rating Number (dBA)		76	76	76	76
Connections (sweat)	Liquid line (o.d.) - in.	3/8	3/8	3/8	3/8
	Vapor (Suction) line (o.d.) - in.	3/4	3/4	3/4	7/8
Refrigerant	² R-410A charge furnished	6 lbs. 6 oz.	6 lbs. 11 oz.	7 lbs. 10 oz.	8 lbs. 7 oz.
Outdoor Fan	Diameter - in.	22	22	22	26
	No. of blades	3	3	3	3
	Motor hp	1/6	1/6	1/6	1/3
Shipping Data - lbs. 1 pkg.		180	188	188	214

ELECTRICAL DATA

Line voltage data - 60hz - 1 ph	208/230V-1ph	208/230V-1ph	208/230V-1ph	208/230V-1ph
³ Maximum overcurrent protection (amps)	20	20	25	35
⁴ Minimum circuit ampacity	12.2	13.6	16.4	20.9
Compressor	Rated load amps	9	10.1	12.3
	Locked rotor amps	48	52	63
	Power factor	0.98	0.98	0.96
Outdoor Fan Motor	Full load amps	1.0	1.0	1.0
	Locked rotor amps	1.9	1.9	1.9

SPECIFICATIONS

General Data	Model No.	ML16XP1-042	ML16XP1-048	ML16XP1-060
Nominal Tonnage		3.5	4	5
Indoor Unit Expansion Valve (TXV) (If needed)		12J20	12J20	12J20
¹ Sound Rating Number (dBA)		79	80	80
Connections (sweat)	Liquid line (o.d.) - in.	3/8	3/8	3/8
	Vapor (Suction) line (o.d.) - in.	7/8	7/8	1-1/8
Refrigerant	² R-410A charge furnished	10 lbs. 12 oz.	10 lbs. 7 oz.	10 lbs. 4 oz.
Outdoor Fan	Diameter - in.	26	26	26
	No. of blades	3	3	4
	Motor hp	1/3	1/3	1/3
Shipping Data - lbs. 1 pkg.		263	263	268

ELECTRICAL DATA

Line voltage data - 60hz - 1 ph	208/230V-1ph	208/230V-1ph	208/230V-1ph
³ Maximum overcurrent protection (amps)	40	40	50
⁴ Minimum circuit ampacity	25	25.8	30.4
Compressor	Rated load amps	15.9	18.5
	Locked rotor amps	112.3	124
	Power factor	0.99	0.99
Outdoor Fan Motor	Full load amps	2.6	2.6

NOTE - Extremes of operating range are plus 10% and minus 5% of line voltage.

¹ Sound Rating Number rated in accordance with test conditions included in AHRI Standard 270.

² Refrigerant charge sufficient for 15 ft. length of refrigerant lines. For longer line set requirements see the Installation Instructions for information about line set length and additional refrigerant charge required.

³ HACR type breaker or fuse.

⁴ Refer to National or Canadian Electrical Code manual to determine wire, fuse and disconnect size requirements.



Intertek

NOTE - Due to Lennox' ongoing commitment to quality, Specifications, Ratings and Dimensions subject to change without notice and without incurring liability. Improper installation, adjustment, alteration, service or maintenance can cause property damage or personal injury. Installation and service must be performed by a qualified installer and servicing agency.



HEAT PUMP OUTDOOR UNITS ML14XP1 MERIT® SERIES

PRODUCT CATALOG

R-410A
SEER - Up to 16.00
1.5 to 5 Tons

Page 19
April 2019
Supersedes February 2019

FEATURES

Refrigerant System

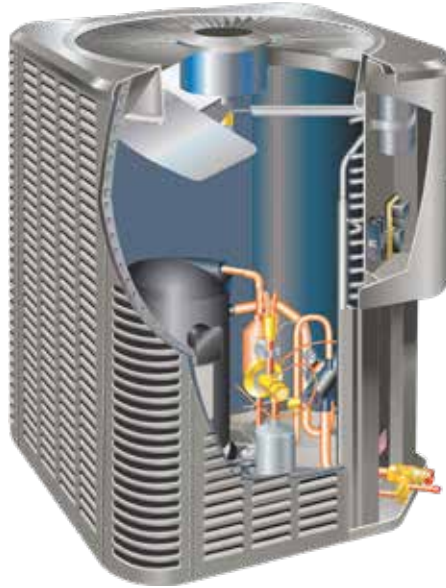
- Scroll Compressor.
- Compressor crankcase heater (-036-042-48-060).
- Non-chlorine, ozone friendly, R-410A refrigerant.
- Copper tube construction with enhanced ripple-edged aluminum fins.
- Fully serviceable brass service valves.
- Factory installed, hi-capacity liquid line drier.
- Totally enclosed, direct drive outdoor fan motor with sleeve bearings.
- Outdoor unit expansion valve.
- Four-way interchange reversing valve.

Controls

- Defrost control with integrated anti-short cycle.
- High Pressure Switch.
- Low Pressure Switch.

Cabinet

- Steel louvered panels provide complete coil protection.
- Louvered steel top fan guard.
- PermaGuard™ zinc-coated base.
- Heavy-gauge galvanized steel cabinet with powder paint finish.
- Corner patch plate allows access to compressor components.



LIMITED WARRANTY

Compressor - five years.
All covered components - five years.
Refer to Lennox Equipment Limited Warranty certificate included with equipment for details.

Model No.	A	B
ML14XP1-018 ML14XP1-024 ML14XP1-030	43-1/4 (1099)	28-1/4 (718)
ML14XP1-036	37-1/4 (946)	28-1/4 (718)
ML14XP1-042 ML14XP1-048	37-1/4 (946)	32-1/4 (819)
ML14XP1-060	43-1/4 (1099)	32-1/4 (819)

AHRI RATINGS

See AHRI Ratings Supplement

ACCESSORIES

See page 27

Cabinet

- Unit Stand-off Kit

Compressor

- Compressor Crankcase Heater (-018-024-030)
- Compressor Hard Start Kit
- Compressor Low Ambient Cut-Off
- Compressor Sound Cover

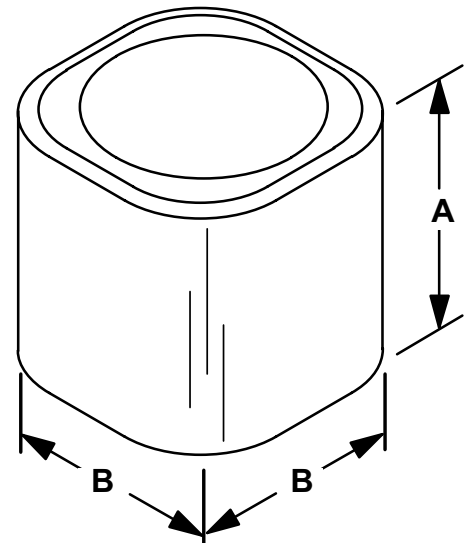
Controls

- Freezestat
- Indoor Blower Off Delay Relay
- Loss of Charge Switch
- Low Ambient Kit
- Mild Weather Kit
- Monitor Kit (Service Light)
- Outdoor Thermostat Kit
- Thermostat

Refrigerant System

- Check/Expansion Valve Kits
- Refrigerant Line Kits

DIMENSIONS



NOTE - Due to Lennox' ongoing commitment to quality, Specifications, Ratings and Dimensions subject to change without notice and without incurring liability. Improper installation, adjustment, alteration, service or maintenance can cause property damage or personal injury. Installation and service must be performed by a qualified installer and servicing agency.

SPECIFICATIONS

General Data		Model No.	ML14XP1-018	ML14XP1-024	ML14XP1-030	ML14XP1-036
		Nominal Tonnage	1.5	2	2.5	3
		Indoor Unit Expansion Valve (TXV) (If needed)	12J18	12J18	12J18	12J19
¹ Sound Rating Number (dBA)			76	76	76	76
Connections (sweat)		Liquid line o.d. - in.	3/8	3/8	3/8	3/8
		Vapor line o.d. - in.	3/4	3/4	3/4	7/8
² Refrigerant		R-410A charge furnished	7 lbs. 0 oz.	7 lbs. 2 oz.	7 lbs. 3 oz.	8 lbs. 10 oz.
Outdoor Fan		Diameter - in. and No. of blades	22 - 3	22 - 3	22 - 3	22 - 3
		Motor hp	1/6	1/6	1/6	1/6
		Cfm	2670	2670	2890	2870
		Rpm	867	867	847	839
		Watts	160	160	200	205
Shipping Data - lbs. 1 package			213	213	213	229

ELECTRICAL DATA

		Line voltage data - 60 hz - 1ph	208/230V	208/230V	208/230V	208/230V
		³ Maximum overcurrent protection (amps)	20	20	25	30
		⁴ Minimum circuit ampacity	12.2	13.6	17.0	18.6
Compressor		Rated Load Amps	9.0	10.1	12.8	14.1
		Locked Rotor Amps	48	52	67.8	72.2
		Power Factor	0.98	0.98	0.96	0.99
Outdoor Fan Motor		Full Load Amps	1.0	1.0	1.0	1.0
		Locked Rotor Amps	1.9	1.9	1.9	1.9

SPECIFICATIONS

General Data		Model No.	ML14XP1-042	ML14XP1-048	ML14XP1-060
		Nominal Tonnage	3.5	4	5
		Indoor Unit Expansion Valve (TXV) (If needed)	12J20	12J20	12J20
¹ Sound Rating Number (dBA)			79	80	80
Connections (sweat)		Liquid line o.d. - in.	3/8	3/8	3/8
		Vapor line o.d. - in.	7/8	7/8	1-1/8
² Refrigerant		R-410A charge furnished	11 lbs. 14 oz.	10 lbs. 7 oz.	12 lbs. 11 oz.
Outdoor Fan		Diameter - in. and No. of blades	22 - 4	22 - 4	22 - 4
		Motor hp	1/3	1/3	1/3
		Cfm	4347	4347	4500
		Rpm	843	843	830
		Watts	299	299	307
Shipping Data - lbs. 1 package			272	273	295

ELECTRICAL DATA

		Line voltage data - 60 hz - 1ph	208/230V	208/230V	208/230V
		³ Maximum overcurrent protection (amps)	40	50	50
		⁴ Minimum circuit ampacity	24.2	29.0	29.4
Compressor		Rated Load Amps	17.92	21.76	22.10
		Locked Rotor Amps	112	117	125
		Power Factor	0.99	0.99	0.99
Outdoor Fan Motor		Full Load Amps	1.8	1.8	1.8
		Locked Rotor Amps	2.9	2.9	2.9

NOTE - Extremes of operating range are plus 10% and minus 5% of line voltage.

¹ Sound Rating Number rated in accordance with test conditions included in AHRI Standard 270.

² Refrigerant charge sufficient for 15 ft. length of refrigerant lines.

³ HACR type circuit breaker or fuse.

⁴ Refer to National or Canadian Electrical Code manual to determine wire, fuse and disconnect size requirements.



NOTE - Due to Lennox' ongoing commitment to quality, Specifications, Ratings and Dimensions subject to change without notice and without incurring liability.

Improper installation, adjustment, alteration, service or maintenance can cause property damage or personal injury.

Installation and service must be performed by a qualified installer and servicing agency.



HEAT PUMP OUTDOOR UNITS 16HPX MERIT® SERIES

PRODUCT CATALOG

R-410A - Two-Stage Scroll Compressor
SEER - Up to 17.00
2 to 5 Tons

Page 21

April 2019

Supersedes February 2019

FEATURES

Refrigerant System

Two-Stage scroll compressor with crankcase heater.

Non-chlorine, ozone friendly, R-410A refrigerant.

Factory installed, hi-capacity liquid line drier.

Copper tube construction with enhanced ripple-edged aluminum fins.

Fully serviceable brass service valves.

Outdoor unit expansion valve.

Four-way interchange reversing valve.

Controls

High Pressure Switch.

Low Pressure Switch.

Discharge Temperature Switch.

Defrost control with integrated anti-short cycle.

Cabinet

Steel louvered panels provide complete coil protection.

Louvered steel top fan guard.

PermaGuard™ zinc-coated base.

Heavy-gauge galvanized steel cabinet with powder paint finish.

Corner patch plate allows access to compressor components.



AHRI RATINGS

See AHRI Ratings Supplement

ACCESSORIES

See page 25

Cabinet

- Unit Stand-Off Kit

Compressor

- Compressor Hard Start Kit
- Compressor Low Ambient Cut-Out
- Compressor Sound Cover

Controls

- Freezestat
- Low Ambient Kit
- Indoor Blower Off Delay Relay
- Indoor Blower Speed Relay Kit
- Mild Weather Kit
- Monitor Kit (Service Light)
- Outdoor Thermostat Kit
- Thermostat

Refrigerant System

- Check/Expansion Valve Kits
- Refrigerant Line Kits

LIMITED WARRANTY

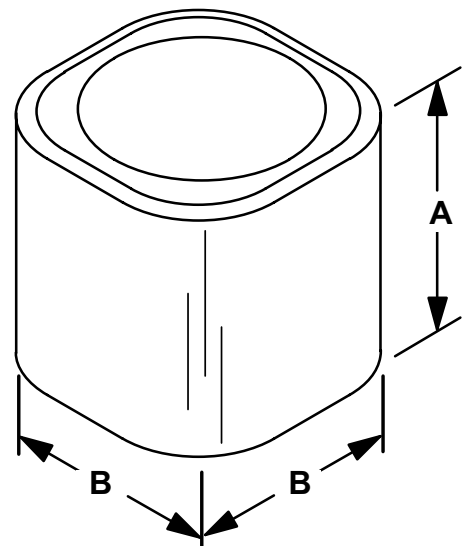
Compressor - five years.

All covered components - five years.

Refer to Lennox Equipment Limited Warranty certificate included with equipment for details.

Model No.	A	B
16HPX-024	33-1/4 (845)	24-1/4 (616)
16HPX-036	33-1/4 (845)	32-1/4 (819)
16HPX-048	33-1/4 (845)	32-1/4 (819)
16HPX-060	43-1/4 (1099)	32-1/4 (819)

DIMENSIONS



NOTE - Due to Lennox' ongoing commitment to quality, Specifications, Ratings and Dimensions subject to change without notice and without incurring liability. Improper installation, adjustment, alteration, service or maintenance can cause property damage or personal injury. Installation and service must be performed by a qualified installer and servicing agency.

SPECIFICATIONS

General Data		Model No.	16HPX-024	16HPX-036	16HPX-048	16HPX-060
Nominal Tonnage			2	3	4	5
Indoor Unit Expansion Valve (TXV) (If needed)			12J18	12J19	12J20	12J20
¹ Sound Rating Number (dBA)			74	82	81	80
Connections (sweat)	Liquid line (o.d.) - in.		3/8	3/8	3/8	3/8
	Vapor line (o.d.) - in.		3/4	7/8	7/8	1-1/8
² Refrigerant		R-410A charge furnished	7 lbs. 14 oz.	10 lbs. 8 oz.	9 lbs. 9 oz.	11 lbs. 8 oz.
Outdoor Fan	Diameter - in.		18	22	26	26
	No. of blades		3	4	3	3
	Motor hp		1/10	1/4	1/3	1/3
	Cfm - 1st stage		2232	4500	4500	3690
	2nd stage		---	---	---	4250
	Rpm - 1st stage		1075	825	825	700
	2nd stage		---	---	---	820
	Watts - 1st stage		145	290	290	130
	2nd stage		---	---	---	195
	Shipping Data - lbs. 1 pkg.			173	233	256

ELECTRICAL DATA

Line voltage data - 60hz		⁵ 230V-1ph	⁵ 230V-1ph	⁵ 230V-1ph	⁵ 230V-1ph
³ Maximum overcurrent protection (amps)		25	35	45	60
⁴ Minimum circuit ampacity		15.3	22.5	28.3	36.7
Compressor	Rated load amps	11.7	16.6	21.2	27.1
	Locked rotor amps	58	83	104	153
	Power factor	0.98	0.99	0.99	0.99
Outdoor Coil Fan Motor	Full load amps	0.7	1.7	1.8	2.8

NOTE - Extremes of operating range are plus 10% and minus 5% of line voltage.

¹ Sound Rating Number in accordance with test conditions included in AHRI Standard 270.

² Refrigerant charge sufficient for 15 ft. length of refrigerant lines. For longer line set requirements see the Installation Instructions for information about line set length and additional refrigerant charge required.

³ HACR type breaker or fuse.

⁴ Refer to National or Canadian Electrical Code manual to determine wire, fuse and disconnect size requirements.

⁵ Hard start kit is required in applications where the supply voltage is less than 230V.



NOTE - Due to Lennox' ongoing commitment to quality, Specifications, Ratings and Dimensions subject to change without notice and without incurring liability. Improper installation, adjustment, alteration, service or maintenance can cause property damage or personal injury. Installation and service must be performed by a qualified installer and servicing agency.



HEAT PUMP OUTDOOR UNITS 14HPX MERIT® SERIES

PRODUCT CATALOG

R-410A
SEER - Up to 16.00
1.5 to 5 Tons

Page 23
April 2019
Supersedes February 2019

FEATURES

Refrigerant System

- Scroll Compressor
- Compressor crankcase heater (-036-042-48-060)
- Non-chlorine, ozone friendly, R-410A refrigerant.
- Copper tube construction with enhanced ripple-edged aluminum fins.
- Fully serviceable brass service valves
- Factory installed, hi-capacity liquid line drier
- Totally enclosed, direct drive outdoor fan motor with sleeve bearings.
- Outdoor unit expansion valve
- Four-way interchange reversing valve.

Controls

Defrost control with integrated anti-short cycle.

High Pressure Switch

Cabinet

- Steel louvered panels provide complete coil protection.
- Louvered steel top fan guard.
- PermaGuard™ zinc-coated base.
- Heavy-gauge galvanized steel cabinet with powder paint finish.
- Corner patch plate allows access to compressor components.



LIMITED WARRANTY

Compressor - five years.
All covered components - five years
Refer to Lennox Equipment Limited Warranty certificate included with equipment for details.

Model No.	A	B
14HPX-018	37-1/4 (946)	28-1/4 (718)
14HPX-024 14HPX-030	37-1/4 (946)	28-1/4 (718)
14HPX-036	33-1/4 (845)	28-1/4 (718)
14HPX-042 14HPX-048	37-1/4 (946)	32-1/4 (819)
14HPX-060	43-1/4 (1099)	32-1/4 (819)

AHRI RATINGS

See AHRI Ratings Supplement

ACCESSORIES

See page 27

Cabinet

- Unit Stand-off Kit

Compressor

- Compressor Crankcase Heater (-018-024-030)
- Compressor Hard Start Kit
- Compressor Low Ambient Cut-Off
- Compressor Sound Cover

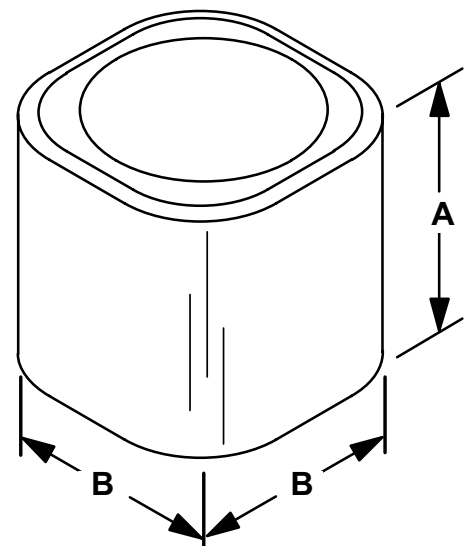
Controls

- Freezestat
- Indoor Blower Off Delay Relay
- Loss of Charge Switch
- Low Ambient Kit / Mild Weather Kit
- Monitor Kit (Service Light)
- Outdoor Thermostat Kit
- Thermostat

Refrigerant System

- Check/Expansion Valve Kits
- Refrigerant Line Kits

DIMENSIONS



NOTE - Due to Lennox' ongoing commitment to quality, Specifications, Ratings and Dimensions subject to change without notice and without incurring liability. Improper installation, adjustment, alteration, service or maintenance can cause property damage or personal injury. Installation and service must be performed by a qualified installer and servicing agency.

SPECIFICATIONS

General Data	Model No.	14HPX-018	14HPX-024	14HPX-030
	Nominal Tonnage	1.5	2	2.5
	Indoor Unit Expansion Valve (TXV) (If needed)	12J18	12J18	12J18
¹ Sound Rating Number (dBA)		76	76	76
Connections (sweat)	Liquid line o.d. - in.	3/8	3/8	3/8
	Vapor line o.d. - in.	3/4	3/4	3/4
² Refrigerant	R-410A charge furnished	5 lbs. 11 oz.	5 lbs. 14 oz.	5 lbs. 10 oz.
Outdoor Fan	Diameter - in.	22	22	22
	No. of Blades	3	3	3
	Motor hp	1/6	1/6	1/6
Shipping Data	lbs. - 1 package	177	177	177

ELECTRICAL DATA

	Line voltage data - 60 hz - 1ph	208/230V	208/230V	208/230V
	³ Maximum overcurrent protection (amps)	20	30	25
	⁴ Minimum circuit ampacity	12.2	17.9	17.1
	Compressor Rated Load Amps	8.96	13.50	12.80
	Outdoor Fan Motor Full Load Amps	1.0	1.1	1.1

NOTE – Extremes of operating range are plus 10% and minus 5% of line voltage.

¹ Sound Rating Number in accordance with test conditions included in AHRI Standard 270.

² Refrigerant charge sufficient for 15 ft. length of refrigerant lines.

³ HACR type breaker or fuse.

⁴ Refer to National or Canadian Electrical Code manual to determine wire, fuse and disconnect size requirements.

SPECIFICATIONS

General Data	Model No.	14HPX-036	14HPX-042	14HPX-048	14HPX-060
	Nominal Tonnage	3	3.5	4	5
	Indoor Unit Expansion Valve (TXV) (If needed)	12J19	12J20	12J20	12J20
¹ Sound Rating Number (dBA)		79	79	80	80
Connections (sweat)	Liquid line o.d. - in.	3/8	3/8	3/8	3/8
	Vapor line o.d. - in.	7/8	7/8	7/8	7/8
² Refrigerant	R-410A charge furnished	9 lbs. 6 oz.	11 lbs. 14 oz.	10 lbs. 7 oz.	12 lbs. 11 oz.
Outdoor Fan	Diameter - in.	22	22	22	22
	No. of Blades	3	4	4	4
	Motor hp	1/6	1/3	1/3	1/3
Shipping Data	lbs. - 1 package	202	272	273	295

ELECTRICAL DATA

	Line voltage data - 60 hz - 1ph	208/230V	208/230V	208/230V	208/230V
	³ Maximum overcurrent protection (amps)	30	40	50	50
	⁴ Minimum circuit ampacity	18.7	24.2	29.0	29.4
	Compressor Rated Load Amps	14.10	17.92	21.76	22.1
	Outdoor Fan Motor Full Load Amps	1.1	1.8	1.8	1.8

NOTE – Extremes of operating range are plus 10% and minus 5% of line voltage.

¹ Sound Rating Number in accordance with test conditions included in AHRI Standard 270.

² Refrigerant charge sufficient for 15 ft. length of refrigerant lines.

³ HACR type breaker or fuse.

⁴ Refer to National or Canadian Electrical Code manual to determine wire, fuse and disconnect size requirements.



Intertek

NOTE – Due to Lennox' ongoing commitment to quality, Specifications, Ratings and Dimensions subject to change without notice and without incurring liability. Improper installation, adjustment, alteration, service or maintenance can cause property damage or personal injury. Installation and service must be performed by a qualified installer and servicing agency.



OPTIONAL ACCESSORIES - ORDER SEPARATELY

			Model No.	XP20 XP25				XP21				SL18XP1					
				-024	-036	-048	-060	-024	-036	-048	-060	-024	-030	-036	-042	-048	-060
iComfort® S30 Thermostat			12U67	•	•	•	•	•	•	•	•	•	•	•	•	•	•
	¹ Remote Outdoor Air Sensor		X2658	•	•	•	•	•	•	•	•	•	•	•	•	•	•
	² Discharge Air Temperature Sensor		88K38	•	•	•	•	•	•	•	•	•	•	•	•	•	•
Compressor Hard Start Kit			63W22					•									
			63W23						•								
			63W24							•							
	Copeland		10J42							•							
	LG		88M91									•	•	•	•	•	•
³ Freezestat	3/8 in. tubing		93G35	•	•	•	•	•	•	•	•	•	•	•	•	•	•
	5/8 in. tubing		50A93	•	•	•	•	•	•	•	•	•	•	•	•	•	•
High Pressure Switch Kit			Factory					F	F	F	F						
Indoor Blower Off Delay Relay			58M81					•	•	•	•	•	•	•	•	•	•
Indoor Blower Relay			31960					•	•	•	•						
³ Low Ambient Kit			68M04					•	•	•	•	•	•	•	•	•	•
Loss of Charge Kit			Factory					F	F	F	F						
Mild Weather Kit			11B97					•	•	•	•	•	•	•	•	•	•
Monitor Kit - Service Light			76F53					•	•	•	•	•	•	•	•	•	•
Outdoor Thermostat	Thermostat		10Z23					•	•	•	•	•	•	•	•	•	•
Kit	Mounting Box		31461					•	•	•	•	•	•	•	•	•	•
Refrigerant Line Sets	L15-41-20	L15-41-40										•	•				
	L15-41-30	L15-41-50															
	L15-65-30	L15-65-40		•	•	•		•	•	•				•	•	•	
		L15-65-50															
	Field Fabricate						•				•						•
Snow Guards	40 x 36 in.		X8782	4 •	4 •	4 •	4 •	•	•	•	•	•	•	•	•	•	•
	39-1/2 x 35-5/8 in.		Y1033	5 •	5 •	5 •	5 •										

¹ Remote Outdoor Temperature Sensor is used with conventional (non-iComfort® Communicating) outdoor units (sensor is furnished with iComfort® Communicating outdoor units). Allows the thermostat to display outdoor temperature. Required in dual-fuel and Humiditrol® applications.

² Optional for service diagnostics.

³ Crankcase Heater (if not furnished) and Freezestat are recommended with Low Ambient Kit.

⁴ X8782 is used with XP25.

⁵ Y1033 is used with XP20.

F = Factory Installed.



HEAT PUMP OUTDOOR UNITS

OPTIONAL ACCESSORIES

PRODUCT CATALOG

Page 26
 April 2019
 Supersedes February 2019

OPTIONAL ACCESSORIES - ORDER SEPARATELY

		Model No.	XP16				EL16XP1						EL15XP1						XP14									
			-024	-036	-048	-060	-018	-024	-030	-036	-042	-048	-060	-018	-024	-030	-036	-042	-048	-060	-018	-024	-030	-036	-042	-048	-060	
Compressor Crankcase Heater		93M04					•	•	•				•	•	•						•	•	•					
		Factory	F	F	F	F				F	F	F	F				F	F	F	F				F	F	F	F	
Compressor Hard Start Kit		63W22	•																									
		63W23	•																									
		63W24		•																								
	Copeland	10J42		•					•	•						•	•	•		•	•	•	•	•	•	•		
	LG	88M91					•	•	•	•		•	•	•	•	•			•									•
Compressor Low Ambient Cut-Off		45F08	•	•	•	•	•	•	•	•	•	•	•	•	•	•	•	•	•	•	•	•	•	•	•	•	•	•
¹ Freezestat	3/8 in. tubing	93G35	•	•	•	•	•	•	•	•	•	•	•	•	•	•	•	•	•	•	•	•	•	•	•	•	•	•
	5/8 in. tubing	50A93	•	•	•	•	•	•	•	•	•	•	•	•	•	•	•	•	•	•	•	•	•	•	•	•	•	•
Indoor Blower Off Delay Relay		58M81	•	•	•	•	•	•	•	•	•	•	•	•	•	•	•	•	•	•	•	•	•	•	•	•	•	•
Indoor Blower Relay		31960	•	•	•	•																						
¹ Low Ambient Kit		54M89	•	•	•		•	•	•	•	•	•	•	•	•	•	•	•	•	•	•	•	•	•	•	•	•	•
		68M04			•																							
Mild Weather Kit		11B97	•	•	•	•	•	•	•	•	•	•	•	•	•	•	•	•	•	•	•	•	•	•	•	•	•	•
Monitor Kit - Service Light		76F53	•	•	•	•	•	•	•	•	•	•	•	•	•	•	•	•	•	•	•	•	•	•	•	•	•	•
Outdoor Thermostat Kit	Thermostat	10Z23	•	•	•	•	•	•	•	•	•	•	•	•	•	•	•	•	•	•	•	•	•	•	•	•	•	•
	Mounting Box	31461	•	•	•	•	•	•	•	•	•	•	•	•	•	•	•	•	•	•	•	•	•	•	•	•	•	•
Refrigerant Line Sets	L15-41-20	L15-41-40	•				•	•	•				•	•	•				•	•	•							
	L15-41-30	L15-41-50																										
	L15-65-30	L15-65-40	•	•						•	•	•	•				•	•	•	•				•	•	•		
		L15-65-50																										
	Field Fabricate				•																					•		
Snow Guards	35-1/2 x 31 in. (Canada Only)	X8780					•	•	•				•	•	•	•			•	•	•	•						
	28-1/2 x 27-1/2	X8781	•																									
	39-1/2 x 35-5/8 in.	Y1033	•	•	•					•	•	•				•	•	•						•	•	•		

¹ Crankcase Heater (if not furnished) and Freezestat are recommended with Low Ambient Kit.
 F = Factory Installed.



INDOOR COILS CX35 (CASED)

PRODUCT CATALOG

Upflow - Cased - R-410A - Factory TXV
Quantum™ Coil - 1.5 to 5 Tons

Page 1

April 2019

Supersedes February 2019

FEATURES

Refrigerant System

Lennox Quantum™ Coil - Aluminum tubing, hairpins, distributor and header tubes.

Copper refrigerant sweat connections on both liquid and suction lines for easy brazing.

Ripple-edged aluminum fins.

Twin coil construction in an “A” configuration for large surface area.

UV-resistant polymer drain pan with dual fpt drain connections.

Factory installed R-410A Check/Expansion Valve.

Cabinet

Pre-painted cabinet finish.

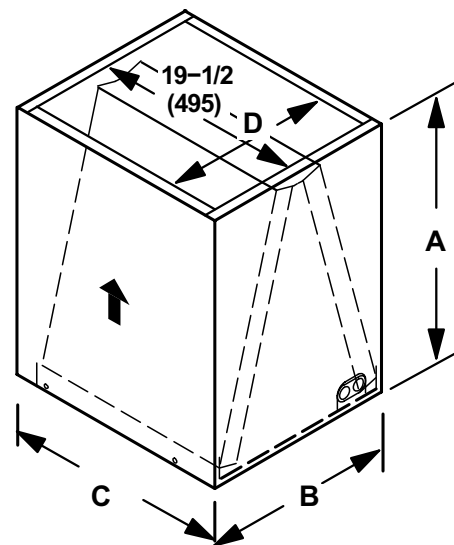
Fully insulated cabinet with thick fiberglass insulation.

Coil Match-Up

All CX35 cased upflow indoor coils match furnaces with same letter designation in model number.



DIMENSIONS



LIMITED WARRANTY

Limited Warranty

All covered components - five years
Refer to Lennox Equipment Limited Warranty certificate included with equipment for details

Cased Model No.	A		B		C		D		Inlet - W		Inlet - D	
	in.	mm	in.	mm	in.	mm	in.	mm	in.	mm	in.	mm
CX35-18/24A-6F	16-1/2	419	14-1/2	368	21	533	13	330	13-3/8	340	20-7/16	519
CX35-18/24B-6F	16-1/2	419	17-1/2	445	21	533	16	406	16-3/8	416	20-7/16	519
CX35-24A-6F	18-1/2	470	14-1/2	368	21	533	13	330	13-3/8	340	20-7/16	519
CX35-24B-6F	18-1/2	470	17-1/2	445	21	533	16	406	16-3/8	416	20-7/16	519
CX35-30A-6F	22-1/2	572	14-1/2	368	21	533	13	330	13-3/8	340	20-7/16	519
CX35-30B-6F	22-1/2	572	17-1/2	445	21	533	16	406	16-3/8	416	20-7/16	519
CX35-30/36A-6F	24-1/2	622	14-1/2	368	21	533	13	330	13-3/8	340	20-7/16	519
CX35-30/36B-6F	24-1/2	622	17-1/2	445	21	533	16	406	16-3/8	416	20-7/16	519
CX35-30/36C-6F	24-1/2	622	21	533	21	533	19-1/2	495	19-7/8	505	20-7/16	519
CX35-36A-6F	24-1/2	622	14-1/2	368	21	533	13	330	13-3/8	340	20-7/16	519
CX35-36B-6F	24-1/2	622	17-1/2	445	21	533	16	406	16-3/8	416	20-7/16	519
CX35-48B-6F	27-1/2	699	17-1/2	445	21	533	16	406	16-3/8	416	20-7/16	519
CX35-48C-2F	27-1/2	699	21	533	21	533	19-1/2	495	19-7/8	505	20-7/16	519
CX35-49C-2F	29-1/2	749	21	533	22	559	19-1/2	495	19-7/8	505	21-7/16	545
CX35-50/60C-6F	27-1/2	699	21	533	21	533	19-1/2	495	19-7/8	505	20-7/16	519
CX35-60C-2F	31-1/2	800	21	533	22	559	19-1/2	495	19-7/8	505	21-7/16	545
CX35-60D-6F	29-1/2	749	24-1/2	622	21	533	23	584	23-3/8	594	20-7/16	519

NOTE- CX35-60D coil is positioned with coil running left to right inside the cabinet, all other coil sizes are positioned like drawing.

NOTE - Due to Lennox' ongoing commitment to quality, Specifications, Ratings and Dimensions subject to change without notice and without incurring liability. Improper installation, adjustment, alteration, service or maintenance can cause property damage or personal injury. Installation and service must be performed by a qualified installer and servicing agency.

SPECIFICATIONS		1.5 TO 2 TON			
General Data	Model No.	CX35-18/24A-6F	CX35-18/24B-6F	CX35-24A-6F	CX35-24B-6F
	Nominal size - Tons	1.5 / 2	1.5 / 2	2	2
	Factory Installed Expansion Valve	12J18	12J18	12J18	12J18
Line	Suction / vapor o.d. - sweat	3/4	3/4	3/4	3/4
Connections in.	Liquid o.d. - sweat	3/8	3/8	3/8	3/8
	Condensate drain (fpt)	(2) 3/4	(2) 3/4	(2) 3/4	(2) 3/4
Shipping Data - lbs.		30	34	38	43

SPECIFICATIONS		2.5 TO 3 TON			
General Data	Model No.	CX35-30A-6F	CX35-30B-6F	CX35-30/36A-6F	CX35-30/36B-6F
	Nominal size - Tons	2.5	2.5	2.5 / 3	2.5 / 3
	Factory Installed Expansion Valve	12J18	12J18	12J19	12J19
Line	Suction / vapor o.d. - sweat	3/4	3/4	3/4	3/4
Connections in.	Liquid o.d. - sweat	3/8	3/8	3/8	3/8
	Condensate drain (fpt)	(2) 3/4	(2) 3/4	(2) 3/4	(2) 3/4
Shipping Data - lbs.		45	50	41	45

SPECIFICATIONS		2.5 TO 4 TON				
General Data	Model No.	CX35-30/36C-6F	CX35-36A-6F	CX35-36B-6F	CX35-48B-6F	CX35-48C-6F
	Nominal size - Tons	2.5 / 3	3	3	3.5 / 4	3.5 / 4
	Factory Installed Expansion Valve	12J19	12J19	12J19	12J20	12J20
Line	Suction / vapor o.d. - sweat	3/4	3/4	3/4	7/8	7/8
Connections in.	Liquid o.d. - sweat	3/8	3/8	3/8	3/8	3/8
	Condensate drain (fpt)	(2) 3/4	(2) 3/4	(2) 3/4	(2) 3/4	(2) 3/4
Shipping Data - lbs.		48	46	50	55	60

SPECIFICATIONS		4 TO 5 TON			
General Data	Model No.	CX35-49C-6F	CX35-50/60C-6F	CX35-60C-6F	CX35-60D-6F
	Nominal size - Tons	4	4 / 5	5	5
	Factory Installed Expansion Valve	12J20	12J20	12J20	12J20
Line	Suction / vapor o.d. - sweat	7/8	7/8	7/8	7/8
Connections in.	Liquid o.d. - sweat	3/8	3/8	3/8	3/8
	Condensate drain (fpt)	(2) 3/4	(2) 3/4	(2) 3/4	(2) 3/4
Shipping Data - lbs.		70	60	73	72



NOTE – Due to Lennox' ongoing commitment to quality, Specifications, Ratings and Dimensions subject to change without notice and without incurring liability. Improper installation, adjustment, alteration, service or maintenance can cause property damage or personal injury. Installation and service must be performed by a qualified installer and servicing agency.



INDOOR COILS CX38 (CASED)

PRODUCT CATALOG

Upflow - Cased - R-410A - Factory TXV
1.5 to 5 Tons

Page 3
April 2019
Supersedes February 2019

FEATURES

Refrigerant System

Copper tube construction with enhanced ripple-edged aluminum fins.

Twin coil construction in an "A" configuration for large surface area.
UV-resistant polymer drain pan with dual fpt drain connections.

Factory installed R-410A Check/Expansion Valve.

Cabinet

Pre-painted cabinet finish.

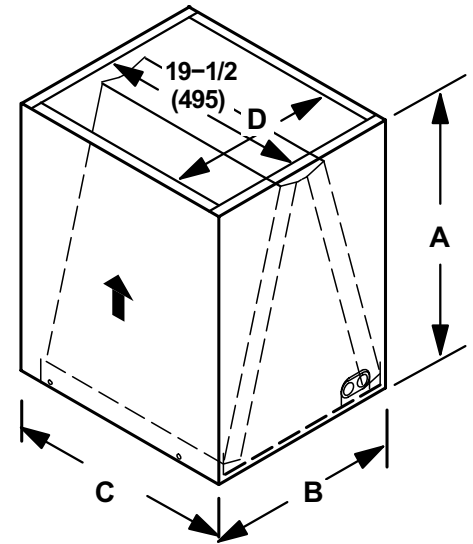
Fully insulated cabinet with thick fiberglass insulation.

Coil Match-Up

All CX38 cased upflow indoor coils match furnaces with same letter designation in model number.



DIMENSIONS



LIMITED WARRANTY

Limited Warranty

All covered components - five years
Refer to Lennox Equipment Limited Warranty certificate included with equipment for details

Cased Model No.	A		B		C		D		Inlet - W		Inlet - D	
	in.	mm	in.	mm	in.	mm	in.	mm	in.	mm	in.	mm
CX38-25A-6F	18-1/2	470	14-1/2	368	21	533	13	330	13-3/8	340	20-7/16	519
CX38-25B-6F	18-1/2	470	17-1/2	445	21	533	16	406	16-3/8	416	20-7/16	519
CX38-31A-6F	22-1/2	572	14-1/2	368	21	533	13	330	13-3/8	340	20-7/16	519
CX38-31B-6F	22-1/2	572	17-1/2	445	21	533	16	406	16-3/8	416	20-7/16	519
CX38-36A-6F	24-1/2	622	14-1/2	368	21	533	13	330	13-3/8	340	20-7/16	519
CX38-36B-6F	24-1/2	622	17-1/2	445	21	533	16	406	16-3/8	416	20-7/16	519
CX38-36C-6F	24-1/2	622	21	533	21	533	19-1/2	495	19-7/8	505	20-7/16	519
CX38-38A-6F	24-1/2	622	14-1/2	368	21	533	13	330	13-3/8	340	20-7/16	519
CX38-38B-6F	24-1/2	622	17-1/2	445	21	533	16	406	16-3/8	416	20-7/16	519
CX38-42B-6F	24-1/2	622	17-1/2	445	21	533	16	406	16-3/8	416	20-7/16	519
CX38-43B-6F	27-1/2	699	17-1/2	445	21	533	16	406	16-3/8	416	20-7/16	519
CX34-43C-6F	27-1/2	699	21	533	21	533	19-1/2	495	19-7/8	505	20-7/16	519
CX38-44/48B-6F	24-1/2	622	17-1/2	445	21	533	16	406	16-3/8	416	20-7/16	519
CX38-44/48C-6F	24-1/2	622	21	533	21	533	19-1/2	495	19-7/8	505	20-7/16	519
CX38-49C-6F	29-1/2	749	21	533	22	559	19-1/2	495	19-7/8	505	21-7/16	545
CX38-50/60C-6F	27-1/2	699	21	533	21	533	19-1/2	495	19-7/8	505	20-7/16	519
CX38-60D-6F	25-1/2	648	24-1/2	622	21	533	23	584	23-3/8	594	20-7/16	519
CX38-62C-6F	31-1/2	800	21	533	22	559	19-1/2	495	19-7/8	505	21-7/16	545
CX38-62D-6F	29-1/2	749	24-1/2	622	21	533	23	584	23-3/8	594	20-7/16	519

NOTE - CX38-60D and CX38-62D coil are positioned with coil running left to right, all other coil sizes are positioned like drawing.

NOTE - Due to Lennox' ongoing commitment to quality, Specifications, Ratings and Dimensions subject to change without notice and without incurring liability. Improper installation, adjustment, alteration, service or maintenance can cause property damage or personal injury. Installation and service must be performed by a qualified installer and servicing agency.

SPECIFICATIONS		3 TON			
General Data	Model No.	CX38-25A-6F	CX38-25B-6F	CX38-31A-6F	CX38-31B-6F
	Nominal size - tons	2	2	2.5	2.5
	Factory Installed Expansion Valve	12J18	12J18	12J18	12J18
Line Connections	Suction/Vapor o.d. - in. sweat	3/4	3/4	3/4	3/4
	Liquid o.d. - in. sweat	3/8	3/8	3/8	3/8
	Condensate drain - in. (fpt)	(2) 3/4	(2) 3/4	(2) 3/4	(2) 3/4
Shipping Data - lbs. - 1 package		39	41	47	49

SPECIFICATIONS		3 TON				
General Data	Model No.	CX38-36A-6F	CX38-36B-6F	CX38-36C-6F	CX38-38A-6F	CX38-38B-6F
	Nominal size - tons	3	3	3	3	3
	Factory Installed Expansion Valve	12J19	12J19	12J19	21J19	12J19
Line Connections	Suction/Vapor o.d. - in. sweat	3/4	3/4	3/4	3/4	3/4
	Liquid o.d. - in. sweat	3/8	3/8	3/8	3/8	3/8
	Condensate drain - in. (fpt)	(2) 3/4	(2) 3/4	(2) 3/4	(2) 3/4	(2) 3/4
Shipping Data - lbs. - 1 package		45	46	50	49	51

SPECIFICATIONS		3.5 - 4 TON				
General Data	Model No.	CX38-42B-6F	CX38-43B-6F	CX38-43C-6F	CX38-44/48B-6F	CX38-44/48C-6F
	Nominal size - tons	3.5	3.5	3.5	3.5/4	3.5/4
	Factory Installed Expansion Valve	12J20	12J20	12J20	12J20	12J20
Line Connections	Suction/Vapor o.d. - in. sweat	7/8	7/8	7/8	7/8	7/8
	Liquid o.d. - in. sweat	3/8	3/8	3/8	3/8	3/8
	Condensate drain - in. (fpt)	(2) 3/4	(2) 3/4	(2) 3/4	(2) 3/4	(2) 3/4
Shipping Data - lbs. - 1 package		47	60	63	52	55

SPECIFICATIONS		4 - 5 TON				
General Data	Model No.	CX38-49C-6F	CX38-50/60C-6F	CX34-60D-6F	CX38-62C-6F	CX38-62D-6F
	Nominal size - tons	4	4/5	5	5	5
	Factory Installed Expansion Valve	12J20	12J20	12J20	12J20	12J20
Line Connections	Suction/Vapor o.d. - in. sweat	7/8	7/8	7/8	7/8	7/8
	Liquid o.d. - in. sweat	3/8	3/8	3/8	3/8	3/8
	Condensate drain - in. (fpt)	(2) 3/4	(2) 3/4	(2) 3/4	(2) 3/4	(2) 3/4
Shipping Data - lbs. - 1 package		72	66	66	77	76



NOTE – Due to Lennox' ongoing commitment to quality, Specifications, Ratings and Dimensions subject to change without notice and without incurring liability. Improper installation, adjustment, alteration, service or maintenance can cause property damage or personal injury. Installation and service must be performed by a qualified installer and servicing agency.



INDOOR COILS C37 (CASED)

PRODUCT CATALOG

Upflow - Cased
1.5 to 5 Tons

Page 5

April 2019

Supersedes February 2019

FEATURES

Refrigerant System

Copper tube construction with enhanced ripple-edged aluminum fins.

Twin coil construction in an "A" configuration for large surface area. UV-resistant polymer drain pan with dual fpt drain connections.

Refrigerant Control

NOTE - Factory installed RFC orifice must be replaced with field installed check/expansion valve.

Cabinet

Pre-painted cabinet finish.

Fully insulated cabinet with thick fiberglass insulation.

Coil Match-Up

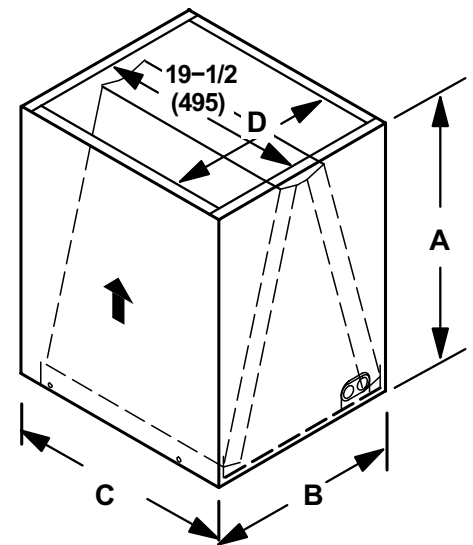
All C37 cased upflow indoor coils match furnaces with same letter designation in model number.



ACCESSORIES

- Expansion Valve Kit (Required)

DIMENSIONS



LIMITED WARRANTY

All covered components - five years
Refer to Lennox Equipment Limited
Warranty certificate included with
equipment for details

Model No.	A		B		C		D		Inlet - W		Inlet - D	
	in.	mm	in.	mm	in.	mm	in.	mm	in.	mm	in.	mm
C37-18A-2F	12-1/2	318	14-1/2	368	21	533	13	330	13-3/8	340	20-7/16	519
C37-19A-2F	16-1/2	419	14-1/2	368	21	533	13	330	13-3/8	340	20-7/16	519
C37-24A-2F	16-1/2	419	14-1/2	368	21	533	13	330	13-3/8	340	20-7/16	519
C37-24B-2F	16-1/2	419	17-1/2	445	21	533	16	406	16-3/8	416	20-7/16	519
C37-24C-2F	16-1/2	419	21	533	21	533	19-1/2	495	19-7/8	505	20-7/16	519
C37-25A-2F	18-1/2	470	14-1/2	368	21	533	13	330	13-3/8	340	20-7/16	519
C37-25B-2F	18-1/2	470	17-1/2	445	21	533	16	406	16-3/8	416	20-7/16	519
C37-30A-2F	20-1/2	521	14-1/2	368	21	533	13	330	13-3/8	340	20-7/16	519
C37-30B-2F	20-1/2	521	17-1/2	445	21	533	16	406	16-3/8	416	20-7/16	519
C37-30C-2F	20-1/2	521	21	533	21	533	19-1/2	495	19-7/8	505	20-7/16	519
C37-31A-2F	22-1/2	572	14-1/2	368	21	533	13	330	13-3/8	340	20-7/16	519
C37-31B-2F	22-1/2	572	17-1/2	445	21	533	16	406	16-3/8	416	20-7/16	519
C37-36A-2F	24-1/2	622	14-1/2	368	21	533	13	330	13-3/8	340	20-7/16	519
C37-36B-2F	24-1/2	622	17-1/2	445	21	533	16	406	16-3/8	416	20-7/16	519
C37-36C-2F	24-1/2	622	21	533	21	533	19-1/2	495	19-7/8	505	20-7/16	519
C37-38A-2F	24-1/2	622	14-1/2	368	21	533	13	330	13-3/8	340	20-7/16	519
C37-38B-2F	24-1/2	622	17-1/2	445	21	533	16	406	16-3/8	416	20-7/16	519
C37-42B-2F	24-1/2	622	17-1/2	445	21	533	16	406	16-3/8	416	20-7/16	519
C37-43B-2F	27-1/2	699	17-1/2	445	21	533	16	406	16-3/8	416	20-7/16	519
C37-43C-2F	27-1/2	699	21	533	21	533	19-1/2	495	19-7/8	505	20-7/16	519
C37-44C-2F	24-1/2	622	21	533	21	533	19-1/2	495	19-7/8	505	20-7/16	519
C37-48B-2F	24-1/2	622	17-1/2	445	21	533	16	406	16-3/8	416	20-7/16	519
C37-48C-2F	24-1/2	622	21	533	21	533	19-1/2	495	19-7/8	505	20-7/16	519
C37-49C-2F	29-1/2	749	21	533	22	559	19-1/2	495	19-7/8	505	21-7/16	545
C37-50/60C-2F	27-1/2	699	21	533	21	533	19-1/2	495	19-7/8	505	20-7/16	519
C37-60D-2F	25-1/2	648	24-1/2	622	21	533	23	584	23-3/8	594	20-7/16	519
C37-62C-2F	31-1/2	800	21	533	22	559	19-1/2	495	19-7/8	505	20-7/16	519
C37-62D-2F	29-1/2	749	24-1/2	622	21	533	23	584	23-3/8	594	21-7/16	545

NOTE- C37-60D and C37-62D coil are positioned with coil running left to right, all other coil sizes are positioned like drawing.

NOTE - Due to Lennox' ongoing commitment to quality, Specifications, Ratings and Dimensions subject to change without notice and without incurring liability. Improper installation, adjustment, alteration, service or maintenance can cause property damage or personal injury. Installation and service must be performed by a qualified installer and servicing agency.

SPECIFICATIONS		1.5 - 2 TON						
General Data	Model No.	C37-18A-2F	C37-19A-2F	C37-24A-2F	C37-24B-2F	C37-24C-2F	C37-25A-2F	C37-25B-2F
	Nominal size - tons	1.5	1.5	2	2	2	2	2
Line Connections	Suction/Vapor o.d. - in. sweat	3/4	3/4	3/4	3/4	3/4	3/4	3/4
	Liquid o.d. - in. sweat	3/8	3/8	3/8	3/8	3/8	3/8	3/8
	Condensate drain - in. (fpt)	(2) 3/4	(2) 3/4	(2) 3/4	(2) 3/4	(2) 3/4	(2) 3/4	(2) 3/4
Shipping Data - lbs. (1 package)		27	35	31	31	39	39	41

SPECIFICATIONS		2.5 - 3 TON						
General Data	Model No.	C37-30A-2F	C37-30B-2F	C37-30C-2F	C37-31A-2F	C37-31B-2F	C37-36A-2F	C37-36B-2F
	Nominal size - tons	2.5	2.5	2.5	2.5	2.5	3	3
Line Connections	Suction/Vapor o.d. - in. sweat	3/4	3/4	3/4	3/4	3/4	3/4	3/4
	Liquid o.d. - in. sweat	3/8	3/8	3/8	3/8	3/8	3/8	3/8
	Condensate drain - in. (fpt)	(2) 3/4	(2) 3/4	(2) 3/4	(2) 3/4	(2) 3/4	(2) 3/4	(2) 3/4
Shipping Data - lbs. (1 package)		37	40	46	47	49	45	46

SPECIFICATIONS		3 - 3.5 TON						
General Data	Model No.	C37-36C-2F	C37-38A-2F	C37-38B-2F	C37-42B-2F	C37-43B-2	C37-43C-2F	C37-44C-2F
	Nominal size - tons	3	3	3	3.5	3.5	3.5	3.5
Line Connections	Suction/Vapor o.d. - in. sweat	3/4	3/4	3/4	7/8	7/8	7/8	7/8
	Liquid o.d. - in. sweat	3/8	3/8	3/8	3/8	3/8	3/8	3/8
	Condensate drain - in. (fpt)	(2) 3/4	(2) 3/4	(2) 3/4	(2) 3/4	(2) 3/4	(2) 3/4	(2) 3/4
Shipping Data - lbs. (1 package)		50	49	51	47	60	63	55

SPECIFICATIONS		4 - 5 TON						
General Data	Model No.	C37-48B-2F	C37-48C-2F	C37-49C-2F	C37-50/60C-2F	C37-60D-2F	C37-62C-2F	C37-62D-2F
	Nominal size - tons	4	4	4	4/5	5	5	5
Line Connections	Suction/Vapor o.d. - in. sweat	7/8	7/8	7/8	7/8	7/8	7/8	7/8
	Liquid o.d. - in. sweat	3/8	3/8	3/8	3/8	3/8	3/8	3/8
	Condensate drain - in. (fpt)	(2) 3/4	(2) 3/4	(2) 3/4	(2) 3/4	(2) 3/4	(2) 3/4	(2) 3/4
Shipping Data - lbs. (1 package)		52	55	72	66	66	77	76



NOTE – Due to Lennox' ongoing commitment to quality, Specifications, Ratings and Dimensions subject to change without notice and without incurring liability. Improper installation, adjustment, alteration, service or maintenance can cause property damage or personal injury. Installation and service must be performed by a qualified installer and servicing agency.



INDOOR COILS C35 (CASED)

PRODUCT CATALOG

Upflow - Cased - Quantum™ Coil 1.5 to 5 Tons

Page 7

April 2019

Supersedes February 2019

FEATURES

Refrigerant System

Lennox Quantum™ Coil - Aluminum tubing, hairpins, distributor and header tubes.

Copper refrigerant sweat connections on both liquid and suction lines for easy brazing.

Ripple-edged aluminum fins.

Twin coil construction in an "A" configuration for large surface area.

UV-resistant polymer drain pan with dual fpt drain connections.

All models applicable to Lennox RFCIV refrigerant metering system.

Optional expansion valve is available.

Cabinet

Pre-painted cabinet finish.

Fully insulated cabinet with thick fiberglass insulation.

Coil Match-Up

All C35 cased upflow indoor coils match furnaces with same letter designation in model number.



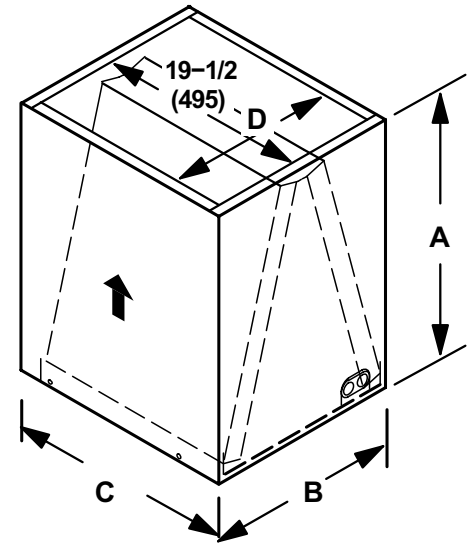
LIMITED WARRANTY

All covered components - five years
Refer to Lennox Equipment Limited Warranty certificate included with equipment for details

ACCESSORIES

- Expansion Valve Kits (required)

DIMENSIONS



Model No.	A		B		C		D		Inlet - W		Inlet - D	
	in.	mm	in.	mm	in.	mm	in.	mm	in.	mm	in.	mm
C35-18/24A-2F	16-1/2	419	14-1/2	368	21	533	13	330	13-3/8	340	20-7/16	519
C35-18/24B-2F	16-1/2	419	17-1/2	445	21	533	16	406	16-3/8	416	20-7/16	519
C35-24A-2F	18-1/2	470	14-1/2	368	21	533	13	330	13-3/8	340	20-7/16	519
C35-24B-2F	18-1/2	470	17-1/2	445	21	533	16	406	16-3/8	416	20-7/16	519
C35-30A-2F	22-1/2	572	14-1/2	368	21	533	13	330	13-3/8	340	20-7/16	519
C35-30B-2F	22-1/2	572	17-1/2	445	21	533	16	406	16-3/8	416	20-7/16	519
C35-30/36A-2F	24-1/2	622	14-1/2	368	21	533	13	330	13-3/8	340	20-7/16	519
C35-30/36B-2F	24-1/2	622	17-1/2	445	21	533	16	406	16-3/8	416	20-7/16	519
C35-30/36C-2F	24-1/2	622	21	533	21	533	19-1/2	495	19-7/8	505	20-7/16	519
C35-36A-2F	24-1/2	622	14-1/2	368	21	533	13	330	13-3/8	340	20-7/16	519
C35-36B-2F	24-1/2	622	17-1/2	445	21	533	16	406	16-3/8	416	20-7/16	519
C35-48B-2F	27-1/2	699	17-1/2	445	21	533	16	406	16-3/8	416	20-7/16	519
C35-48C-2F	27-1/2	699	21	533	21	533	19-1/2	495	19-7/8	505	20-7/16	519
C35-49C-2F	29-1/2	749	21	533	22	559	19-1/2	495	19-7/8	505	21-7/16	545
C35-50/60C-2F	27-1/2	699	21	533	21	533	19-1/2	495	19-7/8	505	20-7/16	519
C35-60C-2F	31-1/2	800	21	533	22	559	19-1/2	495	19-7/8	505	21-7/16	545
C35-60D-2F	29-1/2	749	24-1/2	622	21	533	23	584	23	584	20-7/16	519

NOTE- C35-60D coil is positioned with coil running left to right, all other coil sizes are positioned like drawing.

NOTE - Due to Lennox' ongoing commitment to quality, Specifications, Ratings and Dimensions subject to change without notice and without incurring liability. Improper installation, adjustment, alteration, service or maintenance can cause property damage or personal injury. Installation and service must be performed by a qualified installer and servicing agency.

SPECIFICATIONS		1.5 TO 2 TON			
General Data	Model No.	C35-18/24A-2F	C35-18/24B-2F	C35-24A-2F	C35-24B-2F
	Nominal size - Tons	1.5 / 2	1.5 / 2	2	2
Line	Suction / vapor o.d. - sweat	3/4	3/4	3/4	3/4
Connections in.	Liquid o.d. - sweat	3/8	3/8	3/8	3/8
	Condensate drain (fpt)	(2) 3/4	(2) 3/4	(2) 3/4	(2) 3/4
RFCIV metering device orifice size		0.053	0.053	0.057	0.057
Shipping Data - lbs.		30	34	38	43

SPECIFICATIONS		2.5 TO 3 TON			
General Data	Model No.	C35-30A-2F	C35-30B-2F	C35-30/36A-2F	C35-30/36B-2F
	Nominal size - Tons	2.5	2.5	2.5 / 3	2.5 / 3
Line	Suction / vapor o.d. - sweat	3/4	3/4	3/4	3/4
Connections in.	Liquid o.d. - sweat	3/8	3/8	3/8	3/8
	Condensate drain (fpt)	(2) 3/4	(2) 3/4	(2) 3/4	(2) 3/4
RFCIV metering device orifice size		0.067	0.067	0.057	0.057
Shipping Data - lbs.		45	50	41	45

SPECIFICATIONS		2.5 TO 4 TON				
General Data	Model No.	C35-30/36C-2F	C35-36A-2F	C35-36B-2F	C35-48B-2F	C35-48C-2F
	Nominal size - Tons	2.5 / 3	3	3	3.5 / 4	3.5 / 4
Line	Suction / vapor o.d. - sweat	3/4	3/4	3/4	7/8	7/8
Connections in.	Liquid o.d. - sweat	3/8	3/8	3/8	3/8	3/8
	Condensate drain (fpt)	(2) 3/4	(2) 3/4	(2) 3/4	(2) 3/4	(2) 3/4
RFCIV metering device orifice size		0.057	0.070	0.070	0.071	0.071
Shipping Data - lbs.		48	46	50	55	60

SPECIFICATIONS		4 TO 5 TON			
General Data	Model No.	C35-49C-2F	C35-50/60C-2F	C35-60C-2F	C35-60D-2F
	Nominal size - Tons	4	4 / 5	5	5
Line	Suction / vapor o.d. - sweat	7/8	7/8	7/8	7/8
Connections in.	Liquid o.d. - sweat	3/8	3/8	3/8	3/8
	Condensate drain (fpt)	(2) 3/4	(2) 3/4	(2) 3/4	(2) 3/4
RFCIV metering device orifice size		0.076	0.070	0.077	0.077
Shipping Data - lbs.		70	60	73	72



NOTE – Due to Lennox' ongoing commitment to quality, Specifications, Ratings and Dimensions subject to change without notice and without incurring liability. Improper installation, adjustment, alteration, service or maintenance can cause property damage or personal injury. Installation and service must be performed by a qualified installer and servicing agency.



INDOOR COILS C35 (UNCASED)

PRODUCT CATALOG

Upflow - Uncased - Quantum™ Coil
1.5 to 5 Tons

Page 9

April 2019

Supersedes February 2019

FEATURES

Refrigerant System

Lennox Quantum™ Coil - Aluminum tubing, hairpins, distributor and header tubes.

Copper refrigerant sweat connections on both liquid and suction lines for easy brazing.

Ripple-edged aluminum fins.

Twin coil construction in an “A” configuration for large surface area.

UV-resistant polymer drain pan with dual fpt drain connections.

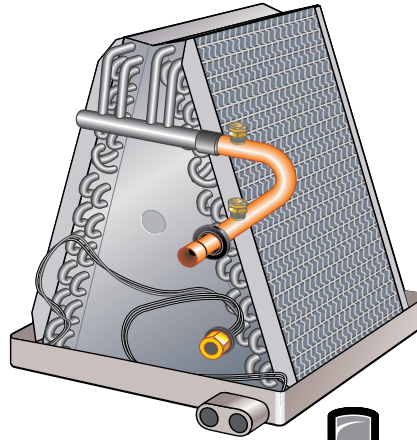
Refrigerant Control Choice

All models applicable to Lennox RFCIV refrigerant metering system when matched with specific air conditioners.

Optional expansion valve is available.

Coil Match-Up

Uncased coils match furnaces but require adaptor base or field fabricated transition.



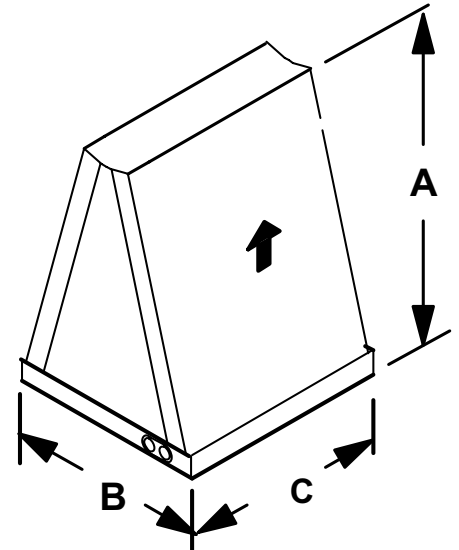
LIMITED WARRANTY

All covered components - five years
Refer to Lennox Equipment Limited Warranty certificate included with equipment for details

ACCESSORIES

- Adjustable Coil / Adaptor Seal
- Expansion Valve Kits

DIMENSIONS



Model No.	A		B		C	
	in.	mm	in.	mm	in.	mm
C35-18/24A	14-1/8	359	13	330	21-1/4	540
C35-18/24B	14-1/8	359	15-1/2	394	21-1/4	540
C35-24A	16-3/8	416	13	330	21-1/4	540
C35-24B	16-3/8	416	15-1/2	394	21-1/4	540
C35-30A	20-3/4	527	13	330	21-1/4	540
C35-30B	20-3/4	527	15-1/2	394	21-1/4	540
C35-30/36A	22-1/4	565	13	330	21-1/4	540
C35-30/36B	22-1/4	565	15-1/2	394	21-1/4	540
C35-30/36C	22-1/4	565	20	508	21-1/4	540
C35-36A	22-3/8	568	13	330	21-1/4	540
C35-36B	22-3/8	568	15-1/2	394	21-1/4	540
C35-48B	26-1/4	667	15-1/2	394	21-1/4	540
C35-48C	26-1/4	667	20	508	21-1/4	540
C35-49C	28-1/2	724	21-1/2	546	21-1/4	540
C35-50/60C	25-7/8	657	20	508	21-1/4	540
C35-60C	30-5/8	778	21-1/2	546	21-1/4	540
C35-60D	28	711	23	584	19-1/2	495

NOTE- C35-60D coil is positioned with coil running left to right, all other coil sizes are positioned like drawing.

NOTE – Due to Lennox’ ongoing commitment to quality, Specifications, Ratings and Dimensions subject to change without notice and without incurring liability. Improper installation, adjustment, alteration, service or maintenance can cause property damage or personal injury. Installation and service must be performed by a qualified installer and servicing agency.

SPECIFICATIONS		1.5 TO 2 TON			
General Data	Model No.	C35-18/24A-2	C35-18/24B-2	C35-24A-2	C35-24B-2
	Nominal size - Tons	1.5 / 2	1.5 / 2	2	2
Line Connections in.	Suction / vapor o.d. - sweat	3/4	3/4	3/4	3/4
	Liquid o.d. - sweat	3/8	3/8	3/8	3/8
	Condensate drain (fpt)	(2) 3/4	(2) 3/4	(2) 3/4	(2) 3/4
RFCIV metering device orifice size		0.053	0.053	0.057	0.057
Shipping Data - lbs.		18	20	23	24

SPECIFICATIONS		2.5 TO 3 TON			
General Data	Model No.	C35-30A-2	C35-30B-2	C35-30/36A-2	C35-30/36B-2
	Nominal size - Tons	2.5	2.5	2.5 / 3	2.5 / 3
Line Connections in.	Suction / vapor o.d. - sweat	3/4	3/4	3/4	3/4
	Liquid o.d. - sweat	3/8	3/8	3/8	3/8
	Condensate drain (fpt)	(2) 3/4	(2) 3/4	(2) 3/4	(2) 3/4
RFCIV metering device orifice size		0.067	0.067	0.057	0.057
Shipping Data - lbs.		31	32	26	27

SPECIFICATIONS		2.5 TO 4 TON					
General Data	Model No.	C35-30/36C-2	C35-36A-2	C35-36B-2	C35-48B-2	C35-48C-2	
	Nominal size - Tons	2.5 / 3	3	3	3.5 / 4	3.5 / 4	
Line Connections in.	Suction / vapor o.d. - sweat	3/4	3/4	3/4	7/8	7/8	
	Liquid o.d. - sweat	3/8	3/8	3/8	3/8	3/8	
	Condensate drain (fpt)	(2) 3/4	(2) 3/4	(2) 3/4	(2) 3/4	(2) 3/4	
RFCIV metering device orifice size		0.057	0.070	0.070	0.071	0.071	
Shipping Data - lbs.		Uncased	29	31	33	43	44

SPECIFICATIONS		4 TO 5 TON				
General Data	Model No.	C35-49C-2	C35-50/60C-2	C35-60C-2	C35-60D-2	
	Nominal size - Tons	4	4 / 5	5	5	
Line Connections in.	Suction / vapor o.d. - sweat	7/8	7/8	7/8	7/8	
	Liquid o.d. - sweat	3/8	3/8	3/8	3/8	
	Condensate drain (fpt)	(2) 3/4	(2) 3/4	(2) 3/4	(2) 3/4	
RFCIV metering device orifice size		0.076	0.070	0.077	0.077	
Shipping Data - lbs.		Uncased	53	40	58	48

OPTIONAL ACCESSORIES - ORDER SEPARATELY	
Adjustable Coil Adaptor/Seal (Ten Pack)	11L09



NOTE – Due to Lennox' ongoing commitment to quality, Specifications, Ratings and Dimensions subject to change without notice and without incurring liability. Improper installation, adjustment, alteration, service or maintenance can cause property damage or personal injury. Installation and service must be performed by a qualified installer and servicing agency.



INDOOR COILS CH33

PRODUCT CATALOG

Horizontal - Cased
1.5 to 5 Tons

Page 11

April 2019

Supersedes February 2019

FEATURES

Refrigerant System

Copper tube construction with enhanced ripple-edged aluminum fins.

Twin coil construction for large surface area.

Non-corrosive drain pan with dual fpt drain connections.

Refrigerant Control Choice

All models applicable to Lennox RFCIV refrigerant metering system when matched with specific air conditioners.

Optional expansion valves available.

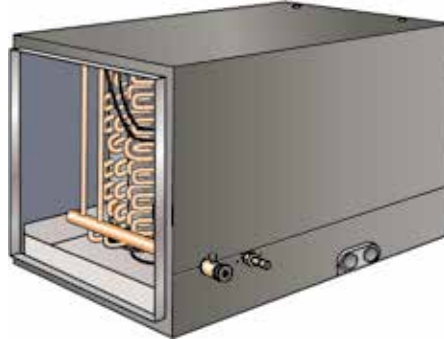
Cabinet

Pre-painted cabinet finish.

Fully insulated cabinet with thick fiberglass insulation.

Coil Match-Up

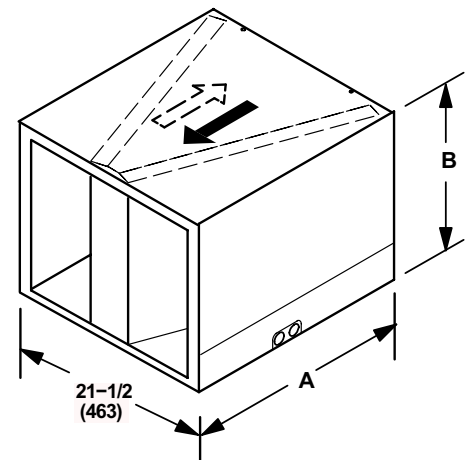
All CH33 cased horizontal indoor coils match furnaces with same letter designation in model number.



ACCESSORIES

- Expansion Valve Kits

DIMENSIONS



LIMITED WARRANTY

Limited Warranty

All covered components - five years
Refer to Lennox Equipment Limited Warranty certificate included with equipment for details

Model No.	A		B		Supply Opening				Return Opening			
					Height		Width		Height		Width	
	in.	mm	in.	mm	in.	mm	in.	mm	in.	mm	in.	mm
CH33-18A-2F	21-1/2	546	14-1/2	368	13	330	20	508	13-3/8	340	20-3/8	518
CH33-19A-2F	26-1/2	673	14-1/2	368	13	330	20	508	13-3/8	340	20-3/8	518
CH33-24/30A-2F	26-1/2	673	14-1/2	368	13	330	20	508	13-3/8	340	20-3/8	518
CH33-25A-2F	26-1/2	673	14-1/2	368	13	330	20	508	13-3/8	340	20-3/8	518
CH33-25B-2F	26-1/2	673	17-1/2	444	16	406	20	508	16-3/8	416	20-3/8	518
CH33-31A-2F	31-1/2	800	14-1/2	368	13	330	20	508	13-3/8	340	20-3/8	518
CH33-31B-2F	26-1/2	673	17-1/2	444	16	406	20	508	16-3/8	416	20-3/8	518
CH33-36A-2F	26-1/2	673	14-1/2	368	13	330	20	508	13-3/8	340	20-3/8	518
CH33-36B-2F	26-1/2	673	17-1/2	444	16	406	20	508	16-3/8	416	20-3/8	518
CH33-36C-2F	26-1/2	673	21	533	19-1/2	495	20	508	19-7/8	505	20-3/8	518
CH33-42B-2F	26-1/2	673	17-1/2	444	16	406	20	508	16-3/8	416	20-3/8	518
CH33-43B-2F	31-1/2	800	17-1/2	444	16	406	20	508	16-3/8	416	20-3/8	518
CH33-43C-2F	26-1/2	673	21	533	19-1/2	495	20	508	19-7/8	505	20-3/8	518
CH33-44/48B-2F	31-1/2	800	17-1/2	444	16	406	20	508	16-3/8	416	20-3/8	518
CH33-48C-2F	26-1/2	673	21	533	19-1/2	495	20	508	19-7/8	505	20-3/8	518
CH33-49C-2F	31-1/2	800	21	533	19-1/2	495	20	508	19-7/8	505	20-3/8	518
CH33-50/60C-2F	31-1/2	800	21	533	19-1/2	495	20	508	19-7/8	505	20-3/8	518
CH33-60D-2F	26-1/2	673	24-1/2	622	23	584	20	508	23-3/8	594	20-3/8	518
CH33-62D-2F	31-1/2	800	24-1/2	622	23	584	20	508	23-3/8	594	20-3/8	518

NOTE - Due to Lennox' ongoing commitment to quality, Specifications, Ratings and Dimensions subject to change without notice and without incurring liability. Improper installation, adjustment, alteration, service or maintenance can cause property damage or personal injury. Installation and service must be performed by a qualified installer and servicing agency.

SPECIFICATIONS		1.5 TO 2.5 TON						
General Data	Model No.	CH33 -18A-2F	CH33 -19A-2F	CH33 -24/30A-2F	CH33 -25A-2F	CH33 -25B-2F	CH33 -31A-2F	CH33 -31B-2F
	Nominal size - tons	1.5	1.5	2/2.5	2	2	2.5	2.5
Line Connections	Suction/Vapor o.d. - in. sweat	3/4	3/4	3/4	3/4	3/4	3/4	3/4
	Liquid o.d. - in. sweat	3/8	3/8	3/8	3/8	3/8	3/8	3/8
	Condensate drain - in. (fpt)	(2) 3/4	(2) 3/4	(2) 3/4	(2) 3/4	(2) 3/4	(2) 3/4	(2) 3/4
RFCIV metering device orifice size		0.053	0.053	0.062	0.062	0.062	0.071	0.071
Horizontal Matching Furnace	Cabinet Designation	A	A	A	A	B	A	B
	Coil and Furnace Height	14-1/2	14-1/2	14-1/2	14-1/2	17-1/2	14-1/2	17-1/2
Shipping Data	lbs. - 1 package	20	37	42	38	38	40	45

SPECIFICATIONS		3 TO 3.5 TON					
General Data	Model No.	CH33 -36A-2F	CH33 -36B-2F	CH33 -36C-2F	CH33 -42B-2F	CH33 -43B-2F	CH33 -43C-2F
	Nominal size - tons	3	3	3	3.5	3.5	3.5
Line Connections	Suction/Vapor o.d. - in. sweat	3/4	3/4	3/4	7/8	7/8	7/8
	Liquid o.d. - in. sweat	3/8	3/8	3/8	3/8	3/8	3/8
	Condensate drain - in. (fpt)	(2) 3/4	(2) 3/4	(2) 3/4	(2) 3/4	(2) 3/4	(2) 3/4
RFCIV metering device orifice size		0.076	0.076	0.076	0.082	0.082	0.082
Horizontal Matching Furnace	Cabinet Designation	A	B	C	B	B	C
	Coil and Furnace Height	14-1/2	17-1/2	21	17-1/2	17-1/2	21
Shipping Data	lbs. - 1 package	54	44	48	60	76	82

SPECIFICATIONS		3.5 TO 5 TON					
General Data	Model No.	CH33 -44/48B-2F	CH33 -48C-2F	CH33 -49C-2F	CH33 -50/60C-2F	CH33 -60D-2F	CH33 -62D-2F
	Nominal size - tons	3.5/4	4	4	4/5	5	5
Line Connections	Suction/Vapor o.d. - in. sweat	7/8	7/8	7/8	7/8	7/8	7/8
	Liquid o.d. - in. sweat	3/8	3/8	3/8	3/8	3/8	3/8
	Condensate drain - in. (fpt)	(2) 3/4	(2) 3/4	(2) 3/4	(2) 3/4	(2) 3/4	(2) 3/4
RFCIV metering device orifice size		0.082	0.091	0.091	0.091	0.099	0.099
Horizontal Matching Furnace	Cabinet Designation	B	C	C	C	D	D
	Coil and Furnace Height	17-1/2	21	21	21	24-1/2	24-1/2
Shipping Data	lbs. - 1 package	72	76	86	86	87	97



NOTE – Due to Lennox' ongoing commitment to quality, Specifications, Ratings and Dimensions subject to change without notice and without incurring liability. Improper installation, adjustment, alteration, service or maintenance can cause property damage or personal injury. Installation and service must be performed by a qualified installer and servicing agency.



INDOOR COILS CHX35

PRODUCT CATALOG

Horizontal - Cased - R410A - Factory TXV
1.5 to 5 Tons

Page 13
April 2019
Supersedes February 2019

FEATURES

Refrigerant System

Lennox Quantum™ Coil - Aluminum tubing, hairpins, distributor and header tubes.

Copper refrigerant sweat connections on both liquid and suction lines for easy brazing.

Ripple-edged aluminum fins.

Twin coil construction in an "A" configuration for large surface area.

UV-resistant polymer drain pan with dual fpt drain connections.

Factory installed R-410A Check/Expansion Valve.

Optional expansion valve is required.

Cabinet

Pre-painted cabinet finish.

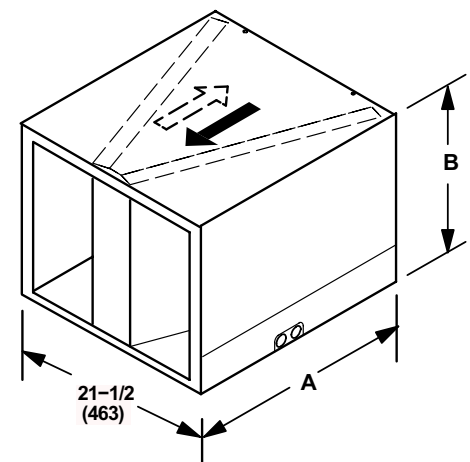
Fully insulated cabinet with thick fiberglass insulation.

Coil Match-Up

All CHX35 cased horizontal indoor coils match furnaces with same letter designation in model number.



DIMENSIONS



LIMITED WARRANTY

Limited Warranty

All covered components - five years
Refer to Lennox Equipment Limited Warranty certificate included with equipment for details

Model No.	A		B		Supply Opening				Return Opening			
					Height		Width		Height		Width	
	in.	mm	in.	mm	in.	mm	in.	mm	in.	mm	in.	mm
CHX35-18A-6F	26-1/2	673	14-1/2	368	13	330	20	508	13-3/8	340	20-3/8	518
CHX35-24A-6F	26-1/2	673	14-1/2	368	13	330	20	508	13-3/8	340	20-3/8	518
CHX35-24B6F	26-1/2	673	17-1/2	444	16	406	20	508	16-3/8	416	20-3/8	518
CHX35-30A-6F	31-1/2	800	14-1/2	368	13	330	20	508	13-3/8	340	20-3/8	518
CHX35-30B-6F	26-1/2	673	17-1/2	444	16	406	20	508	16-3/8	416	20-3/8	518
CHX35-36A-6F	26-1/2	673	14-1/2	368	13	330	20	508	13-3/8	340	20-3/8	518
CHX35-36B-6F	26-1/2	673	17-1/2	444	16	406	20	508	16-3/8	416	20-3/8	518
CHX35-36C-6F	26-1/2	673	21	533	19-1/2	495	20	508	19-7/8	505	20-3/8	518
CHX35-42B-6F	31-1/2	800	17-1/2	444	16	406	20	508	16-3/8	416	20-3/8	518
CHX35-42C-6F	26-1/2	673	21	533	19-1/2	495	20	508	19-7/8	505	20-3/8	518
CHX35-48B-6F	31-1/2	800	17-1/2	444	16	406	20	508	16-3/8	416	20-3/8	518
CHX35-48C-6F	26-1/2	673	21	533	19-1/2	495	20	508	19-7/8	505	20-3/8	518
CHX35-51C-6F	31-1/2	800	21	533	19-1/2	495	20	508	19-7/8	505	20-3/8	518
CHX35-60D-6F	31-1/2	800	24-1/2	622	23	584	20	508	23-3/8	594	20-3/8	518

NOTE - Due to Lennox' ongoing commitment to quality, Specifications, Ratings and Dimensions subject to change without notice and without incurring liability. Improper installation, adjustment, alteration, service or maintenance can cause property damage or personal injury. Installation and service must be performed by a qualified installer and servicing agency.

SPECIFICATIONS		1.5 TO 3 TON						
General Data	Model No.	CHX35 -18A-6F	CHX35 -24A-6F	CHX35 -24B-6F	CHX35 -30A-6F	CHX35 -30B-6F	CHX35 -36A-6F	CHX35 -36B-6F
	Nominal size - tons	1.5	2	2	2.5	2.5	3	3
	Factory installed expansion valve	12J18	12J18	12J18	12J18	12J18	12J19	12J19
Line connections in.	Suction o.d. - sweat	3/4	3/4	3/4	3/4	3/4	3/4	3/4
	Liquid o.d. - sweat	3/8	3/8	3/8	3/8	3/8	3/8	3/8
	Condensate drain (fpt)	(2) 3/4	(2) 3/4	(2) 3/4	(2) 3/4	(2) 3/4	(2) 3/4	(2) 3/4
Matching Lennox Furnace - Cabinet Width Designation		A	A	B	A	B	A	B
Coil & Furnace Cabinet Height - in.		14-1/2	14-1/2	17-1/2	14-1/2	17-1/2	14-1/2	17-1/2
Shipping Data - lbs.		44	46	50	56	54	48	49

SPECIFICATIONS		3 TO 5 TON						
General Data	Model No.	CHX35 -36C-6F	CHX35 -42B-6F	CHX35 -42C-6F	CHX35 -48B-6F	CHX35 -48C-6F	CHX35 -51/61C-6F	CHX35 -60D-6F
	Nominal size - Tons	3	3.5	3.5	3.5/4	3.5/4	4/5	5
	Factory installed expansion valve	12J19	12J20	12J20	12J20	12J20	12J20	12J20
Line connections in.	Suction o.d. - sweat	3/4	7/8	7/8	7/8	7/8	7/8	7/8
	Liquid o.d. - sweat	3/8	3/8	3/8	3/8	3/8	3/8	3/8
	Condensate drain (fpt)	(2) 3/4	(2) 3/4	(2) 3/4	(2) 3/4	(2) 3/4	(2) 3/4	(2) 3/4
Matching Lennox Furnace - Cabinet Width Designation		C	B	C	B	C	C	D
Coil & Furnace Cabinet Height - in.		21	17-1/2	21	17-1/2	21	21	24-1/2
Shipping Data - lbs.		56	67	67	61	60	70	79



NOTE – Due to Lennox' ongoing commitment to quality, Specifications, Ratings and Dimensions subject to change without notice and without incurring liability. Improper installation, adjustment, alteration, service or maintenance can cause property damage or personal injury. Installation and service must be performed by a qualified installer and servicing agency.



INDOOR COILS CH35

PRODUCT CATALOG

Horizontal - Cased
1.5 to 5 Tons

Page 15
April 2019
Supersedes February 2019

FEATURES

Refrigerant System

Lennox Quantum™ Coil - Aluminum tubing, hairpins, distributor and header tubes.

Copper refrigerant sweat connections on both liquid and suction lines for easy brazing.

Ripple-edged aluminum fins.

Twin coil construction in an “A” configuration for large surface area.

UV-resistant polymer drain pan with dual fpt drain connections.

Optional expansion valve is required.

Cabinet

Pre-painted cabinet finish.

Fully insulated cabinet with thick fiberglass insulation.

Coil Match-Up

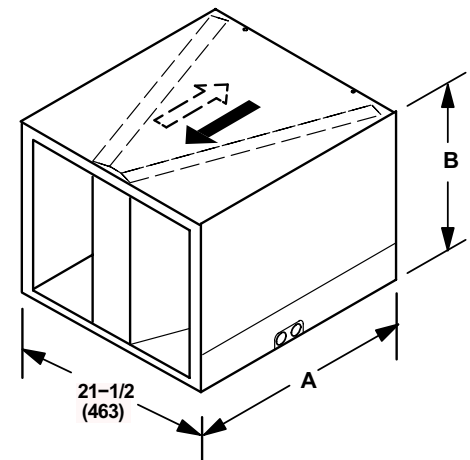
All CH35 cased horizontal indoor coils match furnaces with same letter designation in model number.



ACCESSORIES

- Expansion Valve Kits (required)

DIMENSIONS



LIMITED WARRANTY

Limited Warranty

All covered components - five years
Refer to Lennox Equipment Limited Warranty certificate included with equipment for details

Model No.	A		B		Supply Opening				Return Opening			
					Height		Width		Height		Width	
	in.	mm	in.	mm	in.	mm	in.	mm	in.	mm	in.	mm
CH35-18A-2F	26-1/2	673	14-1/2	368	13	330	20	508	13-3/8	340	20-3/8	518
CH35-24A-2F	26-1/2	673	14-1/2	368	13	330	20	508	13-3/8	340	20-3/8	518
CH35-24B-2F	26-1/2	673	17-1/2	444	16	406	20	508	16-3/8	416	20-3/8	518
CH35-30A-2F	31-1/2	800	14-1/2	368	13	330	20	508	13-3/8	340	20-3/8	518
CH35-30B-2F	26-1/2	673	17-1/2	444	16	406	20	508	16-3/8	416	20-3/8	518
CH35-36A-2F	26-1/2	673	14-1/2	368	13	330	20	508	13-3/8	340	20-3/8	518
CH35-36B-2F	26-1/2	673	17-1/2	444	16	406	20	508	16-3/8	416	20-3/8	518
CH35-36C-2F	26-1/2	673	21	533	19-1/2	495	20	508	19-7/8	505	20-3/8	518
CH35-42B-2F	31-1/2	800	17-1/2	444	16	406	20	508	16-3/8	416	20-3/8	518
CH35-42C-2F	26-1/2	673	21	533	19-1/2	495	20	508	19-7/8	505	20-3/8	518
CH35-48B-2F	31-1/2	800	17-1/2	444	16	406	20	508	16-3/8	416	20-3/8	518
CH35-48C-2F	26-1/2	673	21	533	19-1/2	495	20	508	19-7/8	505	20-3/8	518
CH35-51C-2F	31-1/2	800	21	533	19-1/2	495	20	508	19-7/8	505	20-3/8	518
CH35-60D-2F	31-1/2	800	24-1/2	622	23	584	20	508	23-3/8	594	20-3/8	518

NOTE – Due to Lennox’ ongoing commitment to quality, Specifications, Ratings and Dimensions subject to change without notice and without incurring liability. Improper installation, adjustment, alteration, service or maintenance can cause property damage or personal injury. Installation and service must be performed by a qualified installer and servicing agency.

SPECIFICATIONS		1.5 TO 3 TON						
General Data	Model No.	CH35 -18A-2F	CH35 -24A-2F	CH35 -24B-2F	CH35 -30A-2F	CH35 -30B-2F	CH35 -36A-2F	CH35 -36B-2F
	Nominal size - Tons	1.5	2	2	2.5	2.5	3	3
Line connections in.	Suction o.d. - sweat	3/4	3/4	3/4	3/4	3/4	3/4	3/4
	Liquid o.d. - sweat	3/8	3/8	3/8	3/8	3/8	3/8	3/8
	Condensate drain (fpt)	(2) 3/4	(2) 3/4	(2) 3/4	(2) 3/4	(2) 3/4	(2) 3/4	(2) 3/4
Shipping Data - lbs.		43	45	49	55	53	47	48

SPECIFICATIONS		3 TO 5 TON						
General Data	Model No.	CH35 -36C-2F	CH35 -42B-2F	CH35 -42C-2F	CH35 -48B-2F	CH35 -48C-2F	CH35 -51C-2F	CH35 -60D-2F
	Nominal size - Tons	3	3.5	3.5	3.5/4	3.5/4	4	5
Line connections in.	Suction o.d. - sweat	3/4	7/8	7/8	7/8	7/8	7/8	7/8
	Liquid o.d. - sweat	3/8	3/8	3/8	3/8	3/8	3/8	3/8
	Condensate drain (fpt)	(2) 3/4	(2) 3/4	(2) 3/4	(2) 3/4	(2) 3/4	(2) 3/4	(2) 3/4
Shipping Data - lbs.		55	66	60	60	59	69	78



NOTE – Due to Lennox' ongoing commitment to quality, Specifications, Ratings and Dimensions subject to change without notice and without incurring liability. Improper installation, adjustment, alteration, service or maintenance can cause property damage or personal injury. Installation and service must be performed by a qualified installer and servicing agency.



FEATURES

Refrigerant System

Copper tube construction with enhanced ripple-edged aluminum fins.

Twin coil construction in a "V" configuration for large surface area.

Non-corrosive drain pan with dual fpt drain connections.

Refrigerant Control Choice

All models applicable to Lennox RFCIV refrigerant metering system when matched with specific air conditioners.

Optional expansion valves available.

Cabinet

Pre-painted cabinet finish.

Fully insulated cabinet with thick fiberglass insulation.

Coil Match-Up

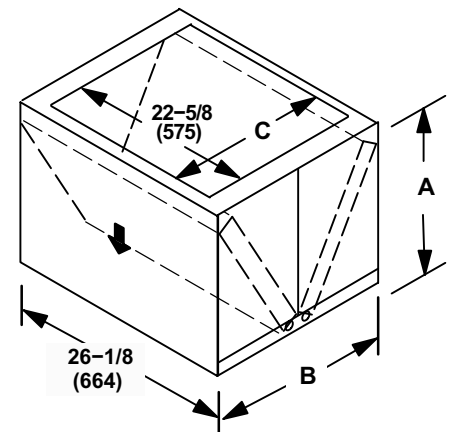
Coil inlet openings match corresponding Lennox furnace supply air openings with same letter designation in the model number. No adaptor required. See Coil/Furnace Match-Up Charts in this section for additional information.



ACCESSORIES

- Expansion Valve Kits

DIMENSIONS



LIMITED WARRANTY

All covered components - five years
Refer to Lennox Equipment Limited Warranty certificate included with equipment for details

Model No.	A		B		C		Supply Air Opening			
							Width		Depth	
	in.	mm	in.	mm	in.	mm	in.	mm	in.	mm
CR33-18A-F	14-1/8	359	17-1/2	445	13-1/2	343	15-1/2	394	23-3/16	589
CR33-24A-F	14-1/8	359	17-1/2	445	13-1/2	343	15-1/2	394	23-3/16	589
CR33-24B-F	14-1/8	359	17-1/2	445	16-1/2	419	15-1/2	394	23-3/16	589
CR33-30/36A-F	16-1/8	410	17-1/2	445	13-1/2	343	15-1/2	394	23-3/16	589
CR33-30/36B-F	16-1/8	410	17-1/2	445	16-1/2	419	15-1/2	394	23-3/16	589
CR33-30/36C-F	16-1/8	410	21	533	20	508	19	483	23-3/16	589
CR33-48B-F	20	508	21	533	16-1/2	419	19	483	23-3/16	589
CR33-48C-F	20	508	21	533	20	508	19	483	23-3/16	589
CR33-50/60C-F	23-5/8	600	24-1/2	622	20	508	22-1/2	572	23-3/16	589
CR33-60D-F	23-5/8	600	24-1/2	622	23-1/2	597	22-1/2	572	23-3/16	589

NOTE – Due to Lennox' ongoing commitment to quality, Specifications, Ratings and Dimensions subject to change without notice and without incurring liability. Improper installation, adjustment, alteration, service or maintenance can cause property damage or personal injury. Installation and service must be performed by a qualified installer and servicing agency.

SPECIFICATIONS		1.5 TO 3 TON				
General Data	Model No.	CR33-18A-F	CR33-24A-F	CR33-24B-F	CR33-30/36A-F	CR33-30/36B-F
	Nominal size - tons	1.5	2	3	2.5/3	2.5/3
Line connections in.	Suction / vapor o.d. - in. sweat	7/8	7/8	7/8	7/8	7/8
	Liquid o.d. in. - sweat	3/8	3/8	3/8	3/8	3/8
	Condensate drain - in. (fpt)	(2) 3/4	(2) 3/4	(2) 3/4	(2) 3/4	(2) 3/4
Shipping weight	lbs. - 1 package	44	44	49	58	57

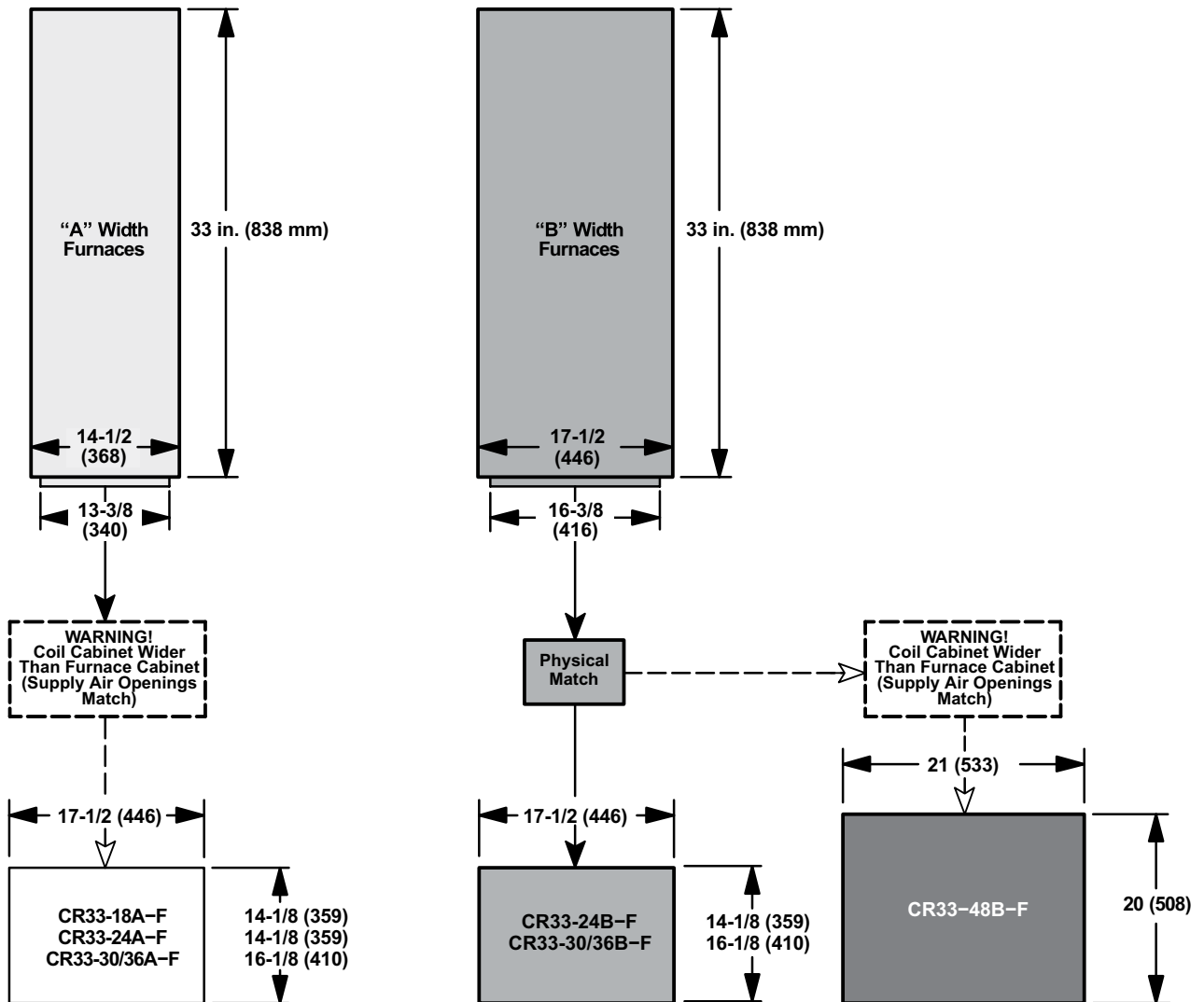
SPECIFICATIONS		2 TO 5 TON				
General Data	Model No.	CR33-30/36C-F	CR33-48B-F	CR33-48C-F	CR33-50/60C-F	CR33-60D-F
	Nominal size - tons	2.5/3	4	4	4/5	5
Line connections in.	Suction / vapor o.d. in. - sweat	7/8	7/8	7/8	7/8	7/8
	Liquid o.d. - in. sweat	3/8	3/8	3/8	3/8	3/8
	Condensate drain - in. (fpt)	(2) 3/4	(2) 3/4	(2) 3/4	(2) 3/4	(2) 3/4
Shipping weight	lbs. - 1 package	60	72	71	85	84



NOTE – Due to Lennox' ongoing commitment to quality, Specifications, Ratings and Dimensions subject to change without notice and without incurring liability. Improper installation, adjustment, alteration, service or maintenance can cause property damage or personal injury. Installation and service must be performed by a qualified installer and servicing agency.

DOWNFLOW GAS FURNACES - CR33 COILS

(Note – Coil opening will physically match the furnace supply air opening with the same letter designation in the model number.)

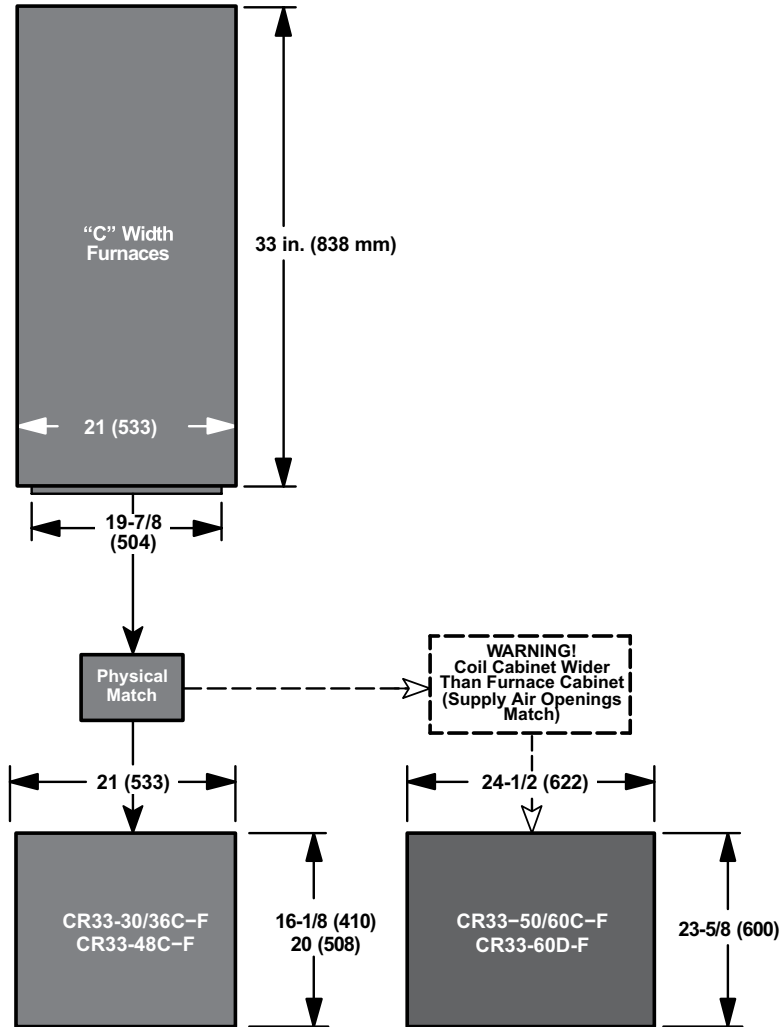


NOTE – Due to Lennox' ongoing commitment to quality, Specifications, Ratings and Dimensions subject to change without notice and without incurring liability. Improper installation, adjustment, alteration, service or maintenance can cause property damage or personal injury. Installation and service must be performed by a qualified installer and servicing agency.



DOWNFLOW GAS FURNACES - CR33 COILS

(Note – Coil opening will physically match the furnace supply air opening with the same letter designation in the model number.)



NOTE – Due to Lennox' ongoing commitment to quality, Specifications, Ratings and Dimensions subject to change without notice and without incurring liability. Improper installation, adjustment, alteration, service or maintenance can cause property damage or personal injury. Installation and service must be performed by a qualified installer and servicing agency.



FEATURES

Refrigerant System

Copper tube construction with enhanced ripple-edged aluminum fins.

Non-corrosive drain pan with dual fpt drain connections.

Refrigerant Control Choice

All models applicable to Lennox RFCIV refrigerant metering system.

Optional expansion valves available.

Cabinet

Pre-painted cabinet finish.

Fully insulated cabinet with thick fiberglass insulation.



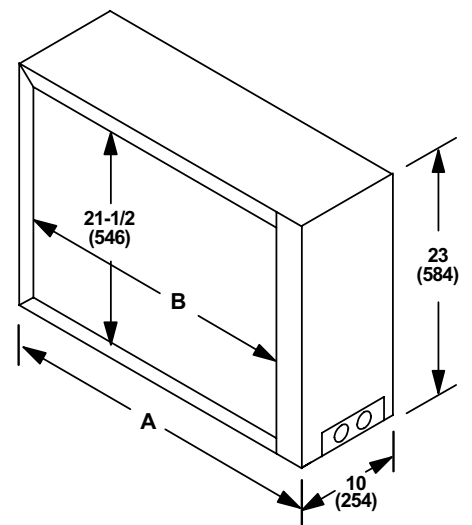
LIMITED WARRANTY

All covered components - five years
Refer to Lennox Equipment Limited
Warranty certificate included with
equipment for details

ACCESSORIES

- Expansion Valve Kits

DIMENSIONS



NOTE - Opening same both ends.

Model No.	A		B	
	in.	mm	in.	mm
CH23-21	27	686	22-3/4	578
CH23-31	31	787	26-3/4	679
CH23-41	31	787	26-3/4	679
CH23-51	35	889	30-3/4	781
CH23-65	41	1041	36-3/4	933
CH23-68	47	1194	42-3/4	1086

SPECIFICATIONS		1.5 - 5 TON					
General Data	Model No.	CH23-21	CH23-31	CH23-41	CH23-51	CH23-65	CH23-68
	Nominal size - tons	1.5	2.5	3	4	5	5+
Line Connections	Suction/Vapor o.d. - in. sweat	² 7/8	² 7/8	³ 7/8	7/8	7/8	7/8
	Liquid o.d. - in. sweat	¹ 3/8	¹ 3/8	3/8	3/8	3/8	3/8
	Condensate drain - in (fpt)	(2) 3/4	(2) 3/4	(2) 3/4	(2) 3/4	(2) 3/4	(2) 3/4
Shipping Data	lbs. - 1 package	30	34	42	46	55	75

¹ 3/8 x 5/16 in. reducing coupling shipped with coil.

² 7/8 x 5/8 in. reducing bushing shipped with coil.

³ 7/8 x 3/4 in. reducing bushing shipped with coil.



NOTE – Due to Lennox' ongoing commitment to quality, Specifications, Ratings and Dimensions subject to change without notice and without incurring liability. Improper installation, adjustment, alteration, service or maintenance can cause property damage or personal injury. Installation and service must be performed by a qualified installer and servicing agency.



PRODUCT CATALOG

**AIR HANDLERS
CBA38MV
DAVE LENNOX SIGNATURE® COLLECTION**

**Multi-Position - R-410A - Variable Speed Blower
1.5 to 5 Tons**

Optional Electric Heat - 4 to 25 kW

Page 1
April 2019
Supersedes February 2019

FEATURES

Refrigerant System

Lennox Quantum™ Coil - Aluminum tubing, hairpins, distributor and header tubes.

Copper refrigerant sweat connections on both liquid and suction lines for easy brazing.

Twin coil construction in an “A” configuration.

Dual position, deep, corrosion resistant drain pans.

Factory installed R-410A Check/Expansion valve.

iComfort® Communicating Controls

iComfort® Control communicates information about the furnace to the optional iComfort® S30 thermostat.



24 Volt Transformer.

Applicable to the iHarmony® Zoning System.

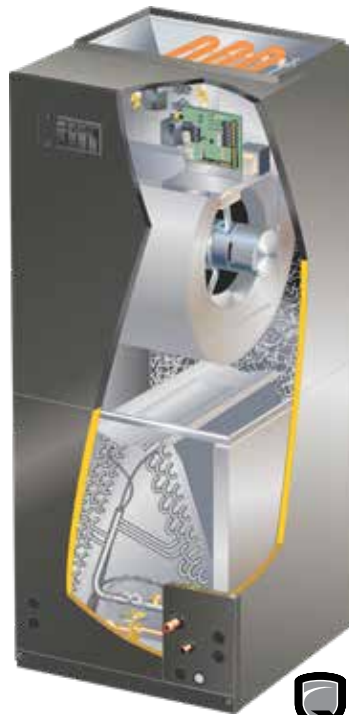
Variable-Speed Blower Motor

High efficiency, variable speed ECM (Electronically Commutated Motor) Maintains specified air volumes up to a maximum of 0.8 in. w.g. total external static.

Cabinet

Multi-Position Capability.
Pre-painted cabinet finish.
Fully insulated cabinet with thick fiberglass insulation.
All models have less than 2% air leakage and meet ANSI/ASHRAE Standard 193-2010.

Tool-less access to disposable, frame-type filter.



LIMITED WARRANTY

Limited Warranty

All covered components - Ten years
Refer to Lennox Equipment Limited Warranty certificate included with equipment for details.

		-018/ 024	-030 -036	-042 -048	060
A		49-1/4 (1251)	51 (1295)	58-1/2 (1486)	62-1/2 (1588)
B		20-5/8 (524)	22-5/8 (575)	24-5/8 (625)	24-5/8 (625)
C		21-1/4 (540)	21-1/4 (540)	21-1/4 (540)	21-1/4 (540)
D		19-3/4 (502)	19-3/4 (502)	19-3/4 (502)	19-3/4 (502)
Return Air	Width	20 (508)	20 (508)	20 (508)	20 (508)
	Depth	19 (483)	21 (533)	23 (584)	23 (584)

ACCESSORIES

See page 18

Cabinet

- Downflow Additive Base
- Horizontal Support Frame Kit
- Side Return Unit Stand (Upflow)
- Wall Hanging Bracket Kit (Upflow)

Controls

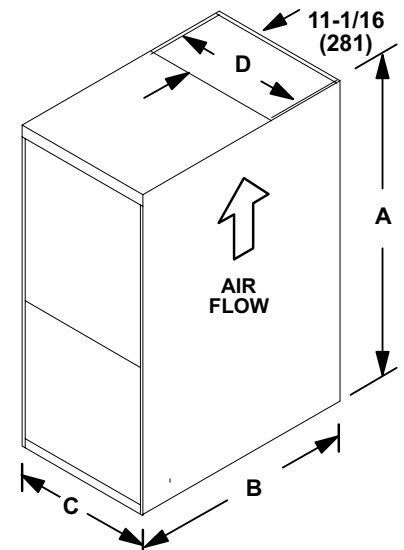
- iComfort® S30 Thermostat
- ComfortSense® 7500 Thermostat
- Thermostat
- Hot Water Heat Kit
- iHarmony® Zoning System

Electric Heat

See page 15

- Electric Heat - 4 to 25 kW
- Circuit Breaker Cover Kit
- Single-Point Power Source Control Box

DIMENSIONS



NOTE – Due to Lennox’ ongoing commitment to quality, Specifications, Ratings and Dimensions subject to change without notice and without incurring liability. Improper installation, adjustment, alteration, service or maintenance can cause property damage or personal injury. Installation and service must be performed by a qualified installer and servicing agency.

SPECIFICATIONS

General Data		Model Number	CBA38MV-018/024	CBA38MV-030	CBA38MV-036
	Nominal tonnage		1.5 to 2	2.5	3
	Factory Installed Expansion Valve		12J18	12J18	12J19
	Refrigerant		R-410A	R-410A	R-410A
Connections in.	Suction / vapor (o.d.) line - sweat		3/4	3/4	3/4
	Liquid line (o.d.) - sweat		3/8	3/8	3/8
	Condensate drain - in. (fpt)		(2) 3/4	(2) 3/4	(2) 3/4
Indoor Coil	Net face area - ft. ²		4.4	5.0	5.0
	Tube outside diameter - in.		3/8	3/8	3/8
	Number of rows		3	3	3
	Fins per inch		14	14	14
Blower Data	Wheel nominal diameter x width - in.		10 x 8	11 x 8	11 x 8
	Motor output - hp		1/2	1/2	1/2
Filters	¹ Number and size - in.		(1) 20 x 20 x 1	(1) 20 x 20 x 1	(1) 20 x 20 x 1
Shipping Data - 1 Package - lbs.			141	154	159
ELECTRICAL DATA					
	Voltage - phase - 60hz		208/230V-1ph	208/230V-1ph	208/230V-1ph
	² Maximum overcurrent protection (unit only)		15	15	15
	³ Minimum circuit ampacity (unit only)		5	5	5

SPECIFICATIONS

General Data		Model Number	CBA38MV-042	CBA38MV-048	CBA38MV-060
	Nominal tonnage		3.5	4	5
	Factory Installed Expansion Valve		12J20	12J20	12J20
	Refrigerant		R-410A	R-410A	R-410A
Connections in.	Suction / vapor (o.d.) line - sweat		7/8	7/8	7/8
	Liquid line (o.d.) - sweat		3/8	3/8	3/8
	Condensate drain - in. (fpt)		(2) 3/4	(2) 3/4	(2) 3/4
Indoor Coil	Net face area - ft. ²		7.22	7.22	8.33
	Tube outside diameter - in.		3/8	3/8	3/8
	Number of rows		3	3	3
	Fins per inch		14	14	14
Blower Data	Wheel nominal diameter x width - in.		12 x 9	12 x 9	12 x 9
	Motor output - hp		1	1	1
Filters	¹ Number and size - in.		(1) 20 x 24 x 1	(1) 20 x 24 x 1	(1) 20 x 24 x 1
Shipping Data - 1 Package - lbs.			189	189	199
ELECTRICAL DATA					
	Voltage - phase - 60hz		208/230V-1ph	208/230V-1ph	208/230V-1ph
	² Maximum overcurrent protection (unit only)		15	15	15
	³ Minimum circuit ampacity (unit only)		10	10	10

¹ Disposable frame type filter.

² HACR type circuit breaker or fuse.

³ Refer to National or Canadian Electrical Code manual to determine wire, fuse and disconnect size requirements. Use wires suitable for at least 167°F.



NOTE – Due to Lennox' ongoing commitment to quality, Specifications, Ratings and Dimensions subject to change without notice and without incurring liability. Improper installation, adjustment, alteration, service or maintenance can cause property damage or personal injury. Installation and service must be performed by a qualified installer and servicing agency.



PRODUCT CATALOG

**AIR HANDLERS
CBX32M
ELITE® SERIES**

**Multi-Position - R-410A
1.5 to 5 Tons**

Optional Electric Heat - 2.5 to 25 kW

Page 3

April 2019

Supersedes February 2019

FEATURES

Refrigerant System

Copper tube construction with enhanced ripple-edged aluminum fins.

Twin coil construction in an “A” configuration for large surface area.

Dual, anti-microbial drain pans resist growth of mold and mildew.



Factory installed R-410A Check/Expansion Valve.

Controls

- 24 Volt Transformer
- Blower Cooling Relay
- Terminal Strip

Blower

Multi-speed, Direct-Drive Blower

Cabinet

Multi-Position Capability

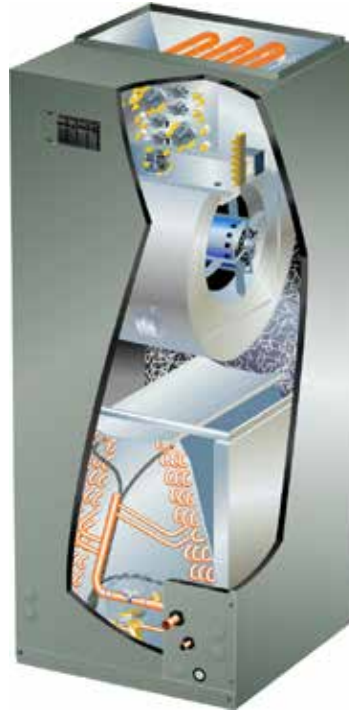
All models are shipped in one piece but can be separated for ease of installation.

Pre-painted cabinet finish.

Fully insulated cabinet with thick fiberglass insulation.

All models have less than 2% air leakage and meet ANSI/ASHRAE Standard 193-2010

Tool-less access to disposable, frame-type filter



ACCESSORIES

See page 18

Cabinet

- Downflow Additive Base
- Downflow Conversion Kit
- Horizontal Support Frame Kit
- Side Return Unit Stand (Upflow)
- Wall Hanging Bracket Kit (Upflow)

Controls

- Thermostat

Electric Heat

See page 16

- Electric Heat - 2.5 to 30 kW
- Circuit Breaker Cover Kit
- Single-Point Power Source Control Box

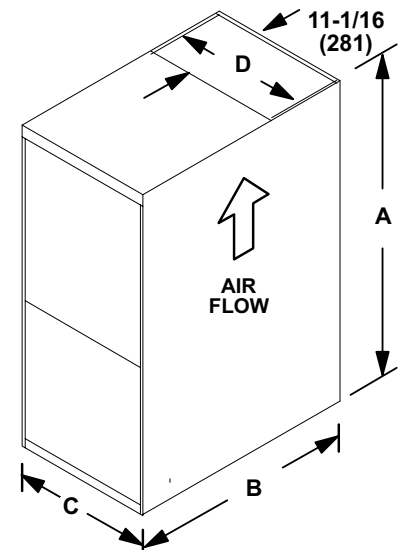
LIMITED WARRANTY

Limited Warranty

All covered components - Five years
Refer to Lennox Equipment Limited Warranty certificate included with equipment for details

		-018/ 024	-030	-036	-042	-048 -060
A		45-1/4 (1149)	49-1/4 (1251)	51 (1295)	52-1/2 (1334)	58-1/2 (1486)
B		20-5/8 (524)	20-5/8 (524)	22-5/8 (575)	22-5/8 (575)	24-5/8 (625)
C		16-1/4 (413)	21-1/4 (540)	21-1/4 (540)	21-1/4 (540)	21-1/4 (540)
D		14-3/4 (375)	19-3/4 (502)	19-3/4 (502)	19-3/4 (502)	19-3/4 (502)
Return Air	Width	15 (381)	20 (508)	20 (508)	20 (508)	20 (508)
	Depth	19 (483)	19 (483)	21 (533)	21 (533)	23 (584)

DIMENSIONS



NOTE – Due to Lennox’ ongoing commitment to quality, Specifications, Ratings and Dimensions subject to change without notice and without incurring liability. Improper installation, adjustment, alteration, service or maintenance can cause property damage or personal injury. Installation and service must be performed by a qualified installer and servicing agency.

SPECIFICATIONS

General Data		Model Number	CBX32M -018/024	CBX32M -030	CBX32M -036	CBX32M -042	CBX32M -048	CBX32M -060
	Nominal Tonnage		1.5 - 2	2.5	3	3.5	4	5
	Factory Installed Expansion Valve		12J18	12J18	12J19	12J20	12J20	12J20
Connections in.	Suction (vapor) line - sweat		5/8	3/4	3/4	7/8	7/8	7/8
	Liquid line - sweat		3/8	3/8	3/8	3/8	3/8	3/8
	Condensate drain - fpt		(2) 3/4	(2) 3/4	(2) 3/4	(2) 3/4	(2) 3/4	(2) 3/4
Blower Data	Wheel nom. diameter x width - in.		10 x 7	10 x 8	11 x 8	11 x 8	11-1/2 x 9	12 x 9
	Blower motor output - hp		1/5	1/3	1/3	1/3	1/3	1/2
	Air Volume Range - cfm		350 - 1030	335 - 1290	485 - 1525	700 - 1825	740 - 1910	1050 - 2115
Filters	¹ Number		1	1	1	1	1	1
	Size - in.		15 x 20 x 1	20 x 20 x 1	20 x 20 x 1	20 x 20 x 1	20 x 24 x 1	20 x 24 x 1
Shipping Data	lbs. (1 package)		136	157	177	181	206	206

ELECTRICAL DATA

	Voltage - 1 phase	208/230V	208/230V	208/230V	208/230V	208/230V	208/230V
	Voltage - 3 phase	---	---	⁴ 460V	---	⁴ 460V	⁴ 460V
²	Maximum overcurrent protection (unit only) all voltages	15	15	15	15	15	15
³	Minimum circuit ampacity (unit only) - 208/230V	2	2	2	3	3	5
	460V	---	---	2	---	2	3

¹ Disposable frame type filter.

² HACR type circuit breaker or fuse.

³ Refer to National or Canadian Electrical Code manual to determine wire, fuse and disconnect size requirements. Use wires suitable for at least 167°F.

⁴ Blower motor is 460V - 1 phase. Optional electric heat is 460V - 3 phase.





AIR HANDLERS CBA27UH ELITE® SERIES

PRODUCT CATALOG

Upflow / Horizontal - Quantum™ Coil - R410A
1.5 to 5 Tons
Optional Electric Heat - 2.5 to 25 kW

Page 5
April 2019
Supersedes February 2019

FEATURES

Refrigerant System

Lennox Quantum™ Coil - Aluminum tubing, hairpins, distributor and header tubes

Copper refrigerant sweat connections on both liquid and suction lines for easy brazing

Twin coil construction in an "A" configuration

Dual position, deep, corrosion resistant drain pans

Factory installed R-410A Check/Expansion valve

Controls

24 Volt Transformer

Blower Cooling Relay

Terminal Strip

Power Saver™ Constant Torque

Blower Motor

High efficiency, multi-speed ECM (Electronically Commutated Motor) with electronic braking

IAQ Ready

Delta plate knock-out for optional Healthy Climate® UVC Germicidal Light

Cabinet

Upflow / Horizontal Configuration (downflow with optional kit)

Shipped in one piece but can be separated for ease of installation

Pre-painted cabinet finish

Fully insulated cabinet with thick fiberglass insulation

All models have less than 2% air leakage and meet ANSI/ASHRAE Standard 193-2010

Tool-less access to disposable, frame-type filter



ACCESSORIES

See page 18

Cabinet

- Downflow Additive Base
- Downflow Conversion Kit
- Healthy Climate® UVC Germicidal Light
- Horizontal Support Frame Kit
- Side Return Unit Stand (Upflow)
- Wall Hanging Bracket Kit (Upflow)

Controls

- ComfortSense® 7500 Thermostat
- Thermostat

Electric Heat

See page 16

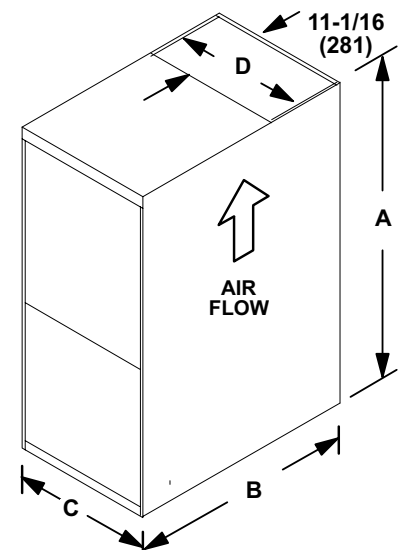
- Electric Heat - 2.5 to 25 kW
- Circuit Breaker Cover Kit
- Single-Point Power Source Control Box

LIMITED WARRANTY

All covered components - Five years
Refer to Lennox Equipment Limited Warranty certificate included with equipment for details

		-018 -024	-030 -036	-042 -048	-060
A		49-1/4 (1251)	51 (1295)	58-1/2 (1486)	62-1/2 (1588)
B		20-5/8 (524)	22-5/8 (575)	24-5/8 (625)	24-5/8 (625)
C		21-1/4 (540)	21-1/4 (540)	21-1/4 (540)	21-1/4 (540)
D		19-3/4 (502)	19-3/4 (502)	19-3/4 (502)	19-3/4 (502)
Return Air	Width	20 (508)	20 (508)	20 (508)	20 (508)
	Depth	19 (483)	21 (533)	23 (584)	23 (584)

DIMENSIONS



NOTE - Due to Lennox' ongoing commitment to quality, Specifications, Ratings and Dimensions subject to change without notice and without incurring liability. Improper installation, adjustment, alteration, service or maintenance can cause property damage or personal injury. Installation and service must be performed by a qualified installer and servicing agency.

SPECIFICATIONS

General Data		Model Number	CBA27UHE-018	CBA27UHE-024	CBA27UHE-030	CBA27UHE-036
		Nominal tonnage	1.5	2	2.5	3
		Factory Installed Expansion Valve	12J18	12J18	12J18	12J19
Connections	Suction (vapor) line (o.d.) - in. sweat		3/4	3/4	3/4	3/4
	Liquid line (o.d.) - in. sweat		3/8	3/8	3/8	3/8
	Condensate - in. fpt		(2) 3/4	(2) 3/4	(2) 3/4	(2) 3/4
Blower	Wheel nominal diameter x width - in.		10 x 8	10 x 8	11 x 8	11 x 8
	Blower motor output - hp		1/2	1/2	1/2	1/2
¹ Filters	Size of filter - in.		20 x 20 x 1	20 x 20 x 1	20 x 20 x 1	20 x 20 x 1
Shipping Data -1 package - lbs.			137	137	150	150

ELECTRICAL DATA

	Voltage - 1 phase - 60hz	208/230V-1ph	208/230V-1ph	208/230V-1ph	208/230V-1ph
	Voltage - 3 phase - 60hz	---	---	---	³ 460V-1ph
²	Maximum overcurrent protection (unit only) - All voltages	15	15	15	15
	Minimum circuit ampacity (unit only) - 208/230V	5	5	5	5
	Blower Motor Full Load Amps - 208/230V	4.1	4.1	4.1	4.1
	Minimum circuit ampacity (unit only) - 460V	---	---	---	2.6
	Blower Motor Full Load Amps - 460V	---	---	---	2.1

SPECIFICATIONS

General Data		Model Number	CBA27UHE-042	CBA27UHE-048	CBA27UHE-060
		Nominal tonnage	3.5	4	5
		Factory Installed Expansion Valve	12J20	12J20	12J20
Connections	Suction (vapor) line (o.d.) - in. sweat		7/8	7/8	7/8
	Liquid line (o.d.) - in. sweat		3/8	3/8	3/8
	Condensate - in. fpt		(2) 3/4	(2) 3/4	(2) 3/4
Blower	Wheel nominal diameter x width - in.		12 x 9	12 x 9	12 x 9
	Blower motor output - hp		1	1	1
¹ Filters	Size of filter - in.		20 x 24 x 1	20 x 24 x 1	20 x 24 x 1
Shipping Data -1 package lbs.			186	186	199

ELECTRICAL DATA

	Voltage - 1 phase - 60hz	208/230V-1ph	208/230V- 1ph	208/230V- 1ph
	Voltage - 3 phase - 60hz	---	³ 460V-1ph	³ 460V-1ph
²	Maximum overcurrent protection (unit only) - All voltages	15	15	15
	Minimum circuit ampacity (unit only) - 208/230V	10	10	10
	Blower Motor Full Load Amps - 208/230V	7.6	7.6	7.6
	Minimum circuit ampacity (unit only) - 460V	---	5	5
	Blower Motor Full Load Amps - 460V	---	4	4

¹ Disposable frame type filter.

² HACR type circuit breaker or fuse.

³ Blower motor is 460V - 1 phase. Optional electric heat is 460V - 3 phase.





AIR HANDLERS CBA25UHV MERIT® SERIES

PRODUCT CATALOG

Upflow / Horizontal - R410A - Programmable Multi-Speed Blower Motor
1.5 to 5 Tons
Optional Electric Heat - 2.5 to 20 kW

Page 7

April 2019

Supersedes February 2019


FEATURES

Refrigerant System

Lennox Quantum™ Coil - Aluminum tubing, hairpins, distributor and header tubes.

Copper refrigerant sweat connections on both liquid and suction lines for easy brazing.

Twin coil construction in an "A" configuration

Anti-microbial dual position drain pans resist growth of mold and mildew. 

Factory installed R-410A Check/Expansion valve

Controls

BDC3 Electronic Blower Control

24 Volt Transformer

Blower Relay

Terminal Strip

Blower

Programmable Multi-Speed Blower Motor

Cabinet

Upflow / Horizontal Configuration
Pre-painted cabinet finish

Fully insulated cabinet with thick fiberglass insulation

All models have less than 2% air leakage and meet ANSI/ASHRAE Standard 193-2010

Tool-less access to disposable, frame-type filter



ACCESSORIES

See page 18

Cabinet

- Downflow Conversion Kit
- Horizontal Support Frame Kit
- Side Return Unit Stand (Upflow)
- Wall Hanging Bracket Kit (Upflow)

Controls

- Thermostat

Electric Heat

See page 17

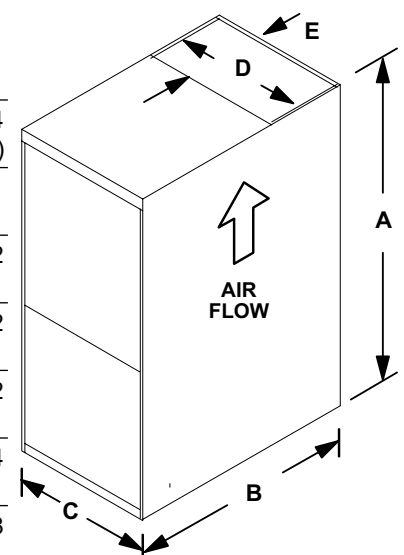
- Electric Heat - 2.5 to 20 kW
- Single-Point Power Source Control Box

LIMITED WARRANTY

All covered components - Five years
Refer to Lennox Equipment Limited Warranty certificate included with equipment for details

DIMENSIONS

		-018	-024	-030	-036 -042	-048	-060
A		43-1/2 (1105)	45-1/2 (1156)	47 (1194)	53-5/8 (1362)	55 (1397)	59-3/4 (1518)
	B	22 (559)	22 (559)	22 (559)	22 (559)	22 (559)	22 (559)
	C	18-1/2 (470)	18-1/2 (470)	18-1/2 (470)	21-1/2 (546)	21-1/2 (546)	21-1/2 (546)
	D	16-1/2 (419)	16-1/2 (419)	16-1/2 (419)	19-1/2 (495)	19-1/2 (495)	19-1/2 (495)
	E	14-1/2 (368)	14-1/2 (368)	14-1/2 (368)	14-1/2 (368)	14-1/2 (368)	14-1/2 (368)
Return Air	Width	16-1/4 (413)	16-1/4 (413)	16-1/4 (413)	19-1/4 (495)	19-1/4 (495)	19-1/4 (495)
	Depth	20-3/8 (518)	20-3/8 (518)	20-3/8 (518)	20-3/8 (518)	20-3/8 (518)	20-3/8 (518)



NOTE - Due to Lennox' ongoing commitment to quality, Specifications, Ratings and Dimensions subject to change without notice and without incurring liability. Improper installation, adjustment, alteration, service or maintenance can cause property damage or personal injury. Installation and service must be performed by a qualified installer and servicing agency.

SPECIFICATIONS						
General Data		Model Number	CBA25UHV-018	CBA25UHV-024	CBA25UHV-030	CBA25UHV-036
	Nominal tonnage		1.5	2	2.5	3
	Factory Installed Expansion Valve		12J18	12J18	12J18	12J19
Connections	Suction/Vapor line (o.d.)-in. sweat		3/4	3/4	3/4	7/8
	Liquid line (o.d.)-in. sweat		3/8	3/8	3/8	3/8
	Condensate-in. fpt		(2) 3/4	(2) 3/4	(2) 3/4	(2) 3/4
Blower	Wheel nominal diameter x width-in.		9 x 6	9 x 6	10 x 8	10 x 8
	Blower motor output-hp		1/2	1/2	1/2	1/2
¹ Filters	Size of filter-in.		15 x 20 x 1	15 x 20 x 1	15 x 20 x 1	18 x 20 x 1
Shipping Data -1 package-lbs.			129	136	143	169
ELECTRICAL DATA						
	Voltage-1 phase (60 hz)		208/240V	208/240V	208/240V	208/240V
	² Maximum overcurrent protection (unit only)		15	15	15	15
	³ Minimum circuit ampacity (unit only)		4.9	4.9	4.9	4.9
	Blower Motor Full Load Amps		3.9	3.9	3.9	3.9

SPECIFICATIONS					
General Data		Model Number	CBA25UHV-042	CBA25UHV-048	CBA25UHV-060
	Nominal tonnage		3.5	4	5
	Factory Installed Expansion Valve		12J20	12J20	12J20
Connections	Suction/Vapor line (o.d.)-in. sweat		7/8	7/8	7/8
	Liquid line (o.d.)-in. sweat		3/8	3/8	3/8
	Condensate-in. fpt		(2) 3/4	(2) 3/4	(2) 3/4
Blower	Wheel nominal diameter x width-in.		10 x 8	12 x 10	12 x 10
	Blower motor output-hp		3/4	1	1
¹ Filters	Size of filter-in.		18 x 20 x 1	18 x 20 x 1	18 x 20 x 1
Shipping Data -1 package-lbs.			169	179	190
ELECTRICAL DATA					
	Voltage-1 phase (60 hz)		208/240V	208/240V	208/240V
	² Maximum overcurrent protection (unit only)		15	15	15
	³ Minimum circuit ampacity (unit only)		6.5	8.6	8.6
	Blower Motor Full Load Amps		5.2	6.9	6.9

¹ Disposable filter.

² HACR type circuit breaker or fuse.

³ Refer to National or Canadian Electrical Code manual to determine wire, fuse and disconnect size requirements. Use wires suitable for at least 167°F.





PRODUCT CATALOG

**AIR HANDLERS
CBA25UH
MERIT® SERIES**

Upflow / Horizontal - R410A
1.5 to 5 Tons
Optional Electric Heat - 2.5 to 20 kW

Page 9
April 2019
Supersedes February 2019

FEATURES

Refrigerant System

Lennox Quantum™ Coil - Aluminum tubing, hairpins, distributor and header tubes.

Copper refrigerant sweat connections on both liquid and suction lines for easy brazing.

Twin coil construction in an “A” configuration

Anti-microbial dual position drain pans resist growth of mold and mildew.



Factory installed R-410A Check/Expansion valve

Controls

- 24 Volt Transformer
- Blower Cooling Relay
- Terminal Strip

Blower

Multi-Speed, Direct-Drive Blower

Cabinet

Upflow / Horizontal Configuration (downflow with optional kit)

Pre-painted cabinet finish

Fully insulated cabinet with thick fiberglass insulation

All models have less than 2% air leakage and meet ANSI/ASHRAE Standard 193-2010

Tool-less access to disposable, frame-type filter



ACCESSORIES

See page 17

Cabinet

- Downflow Conversion Kit
- Horizontal Support Frame Kit
- Side Return Unit Stand (Upflow)
- Wall Hanging Bracket Kit (Upflow)

Controls

- Thermostat

Electric Heat

See page 17

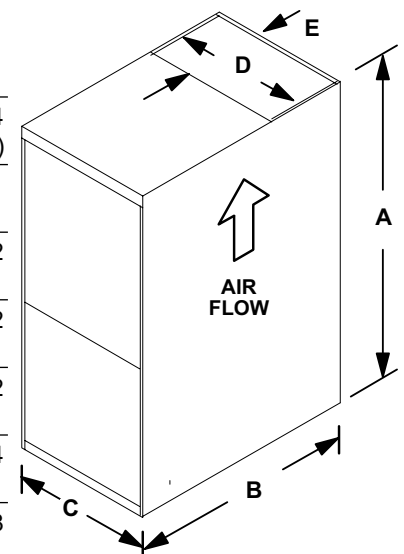
- Electric Heat - 2.5 to 20 kW
- Single-Point Power Source Control Box

LIMITED WARRANTY

All covered components - Five years
Refer to Lennox Equipment Limited Warranty certificate included with equipment for details

DIMENSIONS

		-018	-024	-030	-036 -042	-048	-060
A		43-1/2 (1105)	45-1/2 (1156)	47 (1194)	53-5/8 (1362)	55 (1397)	59-3/4 (1518)
B		22 (559)	22 (559)	22 (559)	22 (559)	22 (559)	22 (559)
C		18-1/2 (470)	18-1/2 (470)	18-1/2 (470)	21-1/2 (546)	21-1/2 (546)	21-1/2 (546)
D		16-1/2 (419)	16-1/2 (419)	16-1/2 (419)	19-1/2 (495)	19-1/2 (495)	19-1/2 (495)
E		14-1/2 (368)	14-1/2 (368)	14-1/2 (368)	14-1/2 (368)	14-1/2 (368)	14-1/2 (368)
Return Air	Width	16-1/4 (413)	16-1/4 (413)	16-1/4 (413)	19-1/4 (495)	19-1/4 (495)	19-1/4 (495)
	Depth	20-3/8 (518)	20-3/8 (518)	20-3/8 (518)	20-3/8 (518)	20-3/8 (518)	20-3/8 (518)



NOTE - Due to Lennox' ongoing commitment to quality, Specifications, Ratings and Dimensions subject to change without notice and without incurring liability. Improper installation, adjustment, alteration, service or maintenance can cause property damage or personal injury. Installation and service must be performed by a qualified installer and servicing agency.

SPECIFICATIONS						
General Data		Model Number	CBA25UH-018	CBA25UH-024	CBA25UH-030	CBA25UH-036
	Nominal tonnage		1.5	2	2.5	3
Connections	Suction/Vapor line (o.d.) - in. sweat		3/4	3/4	3/4	7/8
	Liquid line (o.d.) - in. sweat		3/8	3/8	3/8	3/8
	Condensate - in. fpt		(2) 3/4	(2) 3/4	(2) 3/4	(2) 3/4
Blower	Wheel nominal diameter x width - in.		9 x 6	9 x 6	10 x 8	10 x 8
	Blower motor output - hp		1/5	1/3	1/2	1/3
¹ Filters	Size of filter - in.		15 x 20 x 1	15 x 20 x 1	15 x 20 x 1	18 x 20 x 1
Shipping Data -1 package - lbs.			129	136	143	169
ELECTRICAL DATA						
	Voltage - 1 phase (60 hz)		208/240V	208/240V	208/240V	208/240V
	² Maximum overcurrent protection (unit only)		15	15	15	15
	³ Minimum circuit ampacity (unit only)		5.0	5.0	5.0	5.0
	Blower Motor Full Load Amps		1.1	1.6	1.6	2.0

SPECIFICATIONS					
General Data		Model Number	CBA25UH-042	CBA25UH-048	CBA25UH-060
	Nominal tonnage		3.5	4	5
Connections	Suction/Vapor line (o.d.) - in. sweat		7/8	7/8	7/8
	Liquid line (o.d.) - in. sweat		3/8	3/8	3/8
	Condensate - in. fpt		(2) 3/4	(2) 3/4	(2) 3/4
Blower	Wheel nominal diameter x width - in.		10 x 8	12 x 10	12 x 10
	Blower motor output - hp		1/2	1	1
¹ Filters	Size of filter - in.		18 x 20 x 1	18 x 20 x 1	18 x 20 x 1
Shipping Data -1 package - lbs.			169	179	190
ELECTRICAL DATA					
	Voltage - 1 phase (60 hz)		208/240V	208/240V	208/240V
	² Maximum overcurrent protection (unit only)		15	15	15
	³ Minimum circuit ampacity (unit only)		5.0	9.5	9.5
	Blower Motor Full Load Amps		2.5	7.6	7.6

¹ Disposable filter.

² HACR type circuit breaker or fuse.

³ Refer to National or Canadian Electrical Code manual to determine wire, fuse and disconnect size requirements. Use wires suitable for at least 167°F.



NOTE – Due to Lennox' ongoing commitment to quality, Specifications, Ratings and Dimensions subject to change without notice and without incurring liability. Improper installation, adjustment, alteration, service or maintenance can cause property damage or personal injury. Installation and service must be performed by a qualified installer and servicing agency.




FEATURES

Refrigerant System

Copper tube construction with enhanced ripple-edged aluminum fins

Twin coil construction in an “A” configuration

Anti-microbial dual position drain pans resist growth of mold and mildew. 

Factory installed R-410A Check/Expansion valve

Controls

BDC3 Electronic Blower Control

24 Volt Transformer

Blower Relay

Terminal Strip

Blower

Programmable Multi-Speed Blower Motor

Cabinet

Upflow / Horizontal Configuration

Pre-painted cabinet finish

Fully insulated cabinet with thick fiberglass insulation

All models have less than 2% air leakage and meet ANSI/ASHRAE Standard 193-2010

Tool-less access to disposable, frame-type filter



ACCESSORIES

See page 18

Cabinet

- Horizontal Support Frame Kit
- Side Return Unit Stand (Upflow)
- Wall Hanging Bracket Kit (Upflow)

Controls

- Thermostat

Electric Heat

See page 17

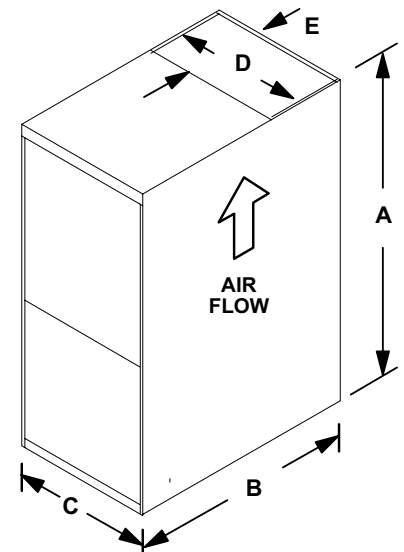
- Electric Heat - 2.5 to 20 kW
- Single-Point Power Source Control Box

LIMITED WARRANTY

All covered components - Five years
Refer to Lennox Equipment Limited Warranty certificate included with equipment for details

DIMENSIONS

		-018	-024	-030	-036	-042	-048 -060
A		38 (965)	40-1/2 (1029)	43 (1092)	48 (1219)	48 (1219)	52-1/2 (1334)
B		22 (559)	22 (559)	22 (559)	22 (559)	26-1/4 (667)	26-1/4 (667)
C		15 (381)	18-1/2 (470)	18-1/2 (470)	21-7/8 (556)	21-7/8 (556)	21-7/8 (556)
D		13 (330)	16-1/2 (419)	16-1/2 (419)	19-7/8 (505)	19-7/8 (505)	19-7/8 (505)
E		14-1/2 (368)	14-1/2 (368)	14-1/2 (368)	14-1/2 (368)	18-3/4 (476)	18-3/4 (476)
Return Air	Width	12-3/4 (324)	16-1/4 (413)	16-1/4 (413)	19-5/8 (498)	19-5/8 (498)	19-5/8 (498)
	Depth	20-3/8 (518)	20-3/8 (518)	20-3/8 (518)	20-3/8 (518)	24-5/8 (625)	24-5/8 (625)



NOTE – Due to Lennox’ ongoing commitment to quality, Specifications, Ratings and Dimensions subject to change without notice and without incurring liability. Improper installation, adjustment, alteration, service or maintenance can cause property damage or personal injury. Installation and service must be performed by a qualified installer and servicing agency.

SPECIFICATIONS

General Data		Model Number	CBX25UHV-018	CBX25UHV-024	CBX25UHV-030	CBX25UHV-036
Nominal tonnage			1.5	2	2.5	3
Factory Installed Expansion Valve			12J18	12J18	12J18	12J19
Connections	Suction/Vapor line (o.d.) - in. sweat		3/4	3/4	7/8	7/8
	Liquid line (o.d.) - in. sweat		3/8	3/8	3/8	3/8
	Condensate - in. fpt		(2) 3/4	(2) 3/4	(2) 3/4	(2) 3/4
Indoor Coil	Net face area - ft. ²		3.11	3.56	4.00	4.89
	Tube outside diameter - in.		3/8	3/8	3/8	3/8
	Number of rows		3	3	3	3
	Fins per inch		14	14	14	14
Blower	Wheel nominal diameter x width - in.		9 x 6	9 x 6	10 x 8	10 x 8
	Blower motor output - hp		1/2	1/2	1/2	1/2
	Air Volume Range - cfm		350 - 1090	300 - 1125	340 - 1330	505 - 1435
¹ Filters	Size of filter - in.		12 x 20 x 1	15 x 20 x 1	15 x 20 x 1	18 x 20 x 1

ELECTRICAL DATA

Voltage - 1 phase (60 hz)		208/240V	208/240V	208/240V	208/240V
² Maximum overcurrent protection (unit only)		15	15	15	15
³ Minimum circuit ampacity (unit only)		4.9	4.9	4.9	4.9
Blower Motor Full Load Amps		3.9	3.9	3.9	3.9
Shipping Data -1 package - lbs.		105	123	126	161

SPECIFICATIONS

General Data		Model Number	CBX25UHV-042	CBX25UHV-048	CBX25UHV-060
Nominal tonnage			3.5	4	5
Factory Installed Expansion Valve			12J20	12J20	12J20
Connections	Suction/Vapor line (o.d.) - in. sweat		7/8	7/8	7/8
	Liquid line (o.d.) - in. sweat		3/8	3/8	3/8
	Condensate - in. fpt		(2) 3/4	(2) 3/4	(2) 3/4
Indoor Coil	Net face area - ft. ²		5.83	7.00	7.00
	Tube outside diameter - in.		3/8	3/8	3/8
	Number of rows		3	3	3
	Fins per inch		14	14	14
Blower	Wheel nominal diameter x width - in.		12 x 8	12 x 9	12 x 9
	Blower motor output - hp		3/4	1	1
	Air Volume Range - cfm		650 - 1800	850 - 2340	1015 - 2275
¹ Filters	Size of filter - in.		18 x 24 x 1	18 x 24 x 1	18 x 24 x 1

ELECTRICAL DATA

Voltage - 1 phase (60 hz)		208/240V	208/240V	208/240V
² Maximum overcurrent protection (unit only)		15	15	15
³ Minimum circuit ampacity (unit only)		6.5	8.6	8.6
Blower Motor Full Load Amps		5.2	6.9	6.9
Shipping Data -1 package - lbs.		163	186	186

¹ Disposable filter.

² HACR type circuit breaker or fuse.

³ Refer to National or Canadian Electrical Code manual to determine wire, fuse and disconnect size requirements. Use wires suitable for at least 167°F.



NOTE – Due to Lennox' ongoing commitment to quality, Specifications, Ratings and Dimensions subject to change without notice and without incurring liability. Improper installation, adjustment, alteration, service or maintenance can cause property damage or personal injury. Installation and service must be performed by a qualified installer and servicing agency.



PRODUCT CATALOG

**AIR HANDLERS
CBX25UH (-10)
MERIT® SERIES**

Upflow / Horizontal - R410A
1.5 to 5 Tons
Optional Electric Heat - 2.5 to 20 kW


Page 13
April 2019
Supersedes February 2019

FEATURES

Refrigerant System

Copper tube construction with enhanced ripple-edged aluminum fins

Twin coil construction in an "A" configuration

Anti-microbial dual position drain pans resist growth of mold and mildew. 

Factory installed R-410A Check/Expansion valve

Controls

- 24 Volt Transformer
- Blower Cooling Relay
- Terminal Strip

Blower

Multi-Speed, Direct-Drive Blower

Cabinet

Upflow / Horizontal Configuration (downflow with optional kit)

Pre-painted cabinet finish

Fully insulated cabinet with thick fiberglass insulation

All models have less than 2% air leakage and meet ANSI/ASHRAE Standard 193-2010

Tool-less access to disposable, frame-type filter



ACCESSORIES

See page 18

Cabinet

- Downflow Conversion Kit
- Horizontal Support Frame Kit
- Side Return Unit Stand (Upflow)
- Wall Hanging Bracket Kit (Upflow)

Controls

- Thermostat

Electric Heat

See page 17

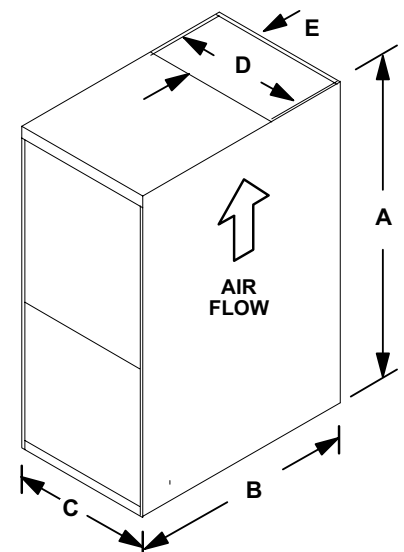
- Electric Heat - 2.5 to 20 kW
- Single-Point Power Source Control Box

LIMITED WARRANTY

All covered components - Five years
Refer to Lennox Equipment Limited Warranty certificate included with equipment for details

DIMENSIONS

		-018	-024	-030	-036	-042	-048 -060
A		38 (965)	40-1/2 (1029)	43 (1092)	52-1/2 (1334)	48 (1219)	52-1/2 (1334)
B		22 (559)	22 (559)	22 (559)	22 (559)	26-1/4 (667)	26-1/4 (667)
C		15 (381)	18-1/2 (470)	18-1/2 (470)	21-7/8 (556)	21-7/8 (556)	21-7/8 (556)
D		13 (330)	16-1/2 (419)	16-1/2 (419)	19-7/8 (505)	19-7/8 (505)	19-7/8 (505)
E		14-1/2 (368)	14-1/2 (368)	14-1/2 (368)	14-1/2 (368)	18-3/4 (476)	18-3/4 (476)
Return Air	Width	12-3/4 (324)	16-1/4 (413)	16-1/4 (413)	19-5/8 (498)	19-5/8 (498)	19-5/8 (498)
	Depth	20-3/8 (518)	20-3/8 (518)	20-3/8 (518)	20-3/8 (518)	24-5/8 (625)	24-5/8 (625)



NOTE - Due to Lennox' ongoing commitment to quality, Specifications, Ratings and Dimensions subject to change without notice and without incurring liability. Improper installation, adjustment, alteration, service or maintenance can cause property damage or personal injury. Installation and service must be performed by a qualified installer and servicing agency.

SPECIFICATIONS						
General Data		Model Number	CBX25UH-018	CBX25UH-024	CBX25UH-030	CBX25UH-036
	Nominal tonnage		1.5	2	2.5	3
	Factory Installed Expansion Valve		12J18	12J18	12J18	12J19
Connections	Suction/Vapor line (o.d.) - in. sweat		3/4	3/4	3/4	7/8
	Liquid line (o.d.) - in. sweat		3/8	3/8	3/8	3/8
	Condensate - in. fpt		(2) 3/4	(2) 3/4	(2) 3/4	(2) 3/4
Indoor Coil	Net face area - ft. ²		3.11	3.56	4.00	4.89
	Tube outside diameter - in.		3/8	3/8	3/8	3/8
	Number of rows		3	3	3	3
	Fins per inch		14	14	14	14
Blower	Wheel nominal diameter x width - in.		9 x 6	9 x 6	10 x 8	10 x 8
	Blower motor output - hp		1/5	1/3	1/3	1/3
	Air Volume Range - cfm		325 - 905	580 - 1130	740 - 1240	990 - 1660
¹ Filters	Size of filter - in.		12 x 20 x 1	15 x 20 x 1	15 x 20 x 1	18 x 20 x 1
Shipping Data -1 package - lbs.			109	127	133	163
ELECTRICAL DATA						
	Voltage - 1 phase (60 hz)		208/240V	208/240V	208/240V	208/240V
	² Maximum overcurrent protection (unit only)		15	15	15	15
	³ Minimum circuit ampacity (unit only)		2.0	2.0	2.4	2.5
	Blower Motor Full Load Amps		1.6	1.6	1.9	2.0

SPECIFICATIONS					
General Data		Model Number	CBX25UH-042	CBX25UH-048	CBX25UH-060
	Nominal tonnage		3.5	4	5
	Factory Installed Expansion Valve		12J20	12J20	12J20
Connections	Suction/Vapor line (o.d.) - in. sweat		7/8	7/8	7/8
	Liquid line (o.d.) - in. sweat		3/8	3/8	3/8
	Condensate - in. fpt		(2) 3/4	(2) 3/4	(2) 3/4
Indoor Coil	Net face area - ft. ²		5.83	7.00	7.00
	Tube outside diameter - in.		3/8	3/8	3/8
	Number of rows		3	3	3
	Fins per inch		14	14	14
Blower	Wheel nominal diameter x width - in.		12 x 8	11 x 9	12 x 9
	Blower motor output - hp		1/3	1/2	1/2
	Air Volume Range - cfm		1225 - 1820	1470 - 2070	1450 - 2140
¹ Filters	Size of filter - in.		18 x 24 x 1	18 x 24 x 1	18 x 24 x 1
Shipping Data -1 package - lbs.			168	186	186
ELECTRICAL DATA					
	Voltage - 1 phase (60 hz)		208/240V	208/240V	208/240V
	² Maximum overcurrent protection (unit only)		15	15	15
	³ Minimum circuit ampacity (unit only)		2.4	4.9	4.9
	Blower Motor Full Load Amps		1.9	3.9	3.9

¹ Disposable filter.

² HACR type circuit breaker or fuse.

³ Refer to National or Canadian Electrical Code manual to determine wire, fuse and disconnect size requirements. Use wires suitable for at least 167°F.



NOTE – Due to Lennox' ongoing commitment to quality, Specifications, Ratings and Dimensions subject to change without notice and without incurring liability. Improper installation, adjustment, alteration, service or maintenance can cause property damage or personal injury. Installation and service must be performed by a qualified installer and servicing agency.



OPTIONAL ELECTRIC HEAT - ORDER SEPARATELY

			CBA38MV					
			-018/024	-030	-036	-042	-048	-060
208/240V-1ph - Terminal Block Models								
4 kW	ECB38-4	16V86	•	•		•	•	•
5 kW	ECB38-5	16V88	•	•	•	•	•	•
6 kW	ECB38-6	16V90	•	•	•	•	•	•
8 kW	ECB38-8	16V92	•	•	•	•	•	•
208/240V-1ph - Circuit Breaker Models								
4 kW	ECB38-4CB	16V87	•	•	•	•	•	•
5 kW	ECB38-5CB	16V89	•	•	•	•	•	•
6 kW	ECB38-CB6	16V91	•	•	•	•	•	•
8 kW	ECB38-8CB	16V93	•	•	•	•	•	•
9 kW	ECB38-9CB	16V94	•	•	•	•	•	•
12.5 kW	ECB38-12.5CB	16V95		•	•	•	•	•
15 kW	ECB38-15CB	16V96		•	•	•	•	•
20 kW	ECB38-20CB	16V97			•	•	•	•
25 kW	ECB38-25CB	16V98					•	•

NOTE – Due to Lennox’ ongoing commitment to quality, Specifications, Ratings and Dimensions subject to change without notice and without incurring liability. Improper installation, adjustment, alteration, service or maintenance can cause property damage or personal injury. Installation and service must be performed by a qualified installer and servicing agency.



OPTIONAL ELECTRIC HEAT - ORDER SEPARATELY

Item			CBX32M						CBA27UHE						
			-018/024	-030	-036	-042	-048	-060	-018	-024	-030	-036	-042	-048	-060
208/240V-1ph - Terminal Block Models															
2.5 kW	ECB29-2.5	12L27	•						•						
4 kW	ECB29-4	12L30	•	•	•	•	•	•	•	•	•	•	•	•	•
5 kW	ECB29-5	12L35	•	•	•	•	•	•	•	•	•	•	•	•	•
6 kW	ECB29-6	12L44	•	•	•	•	•	•	•	•	•	•	•	•	•
8 kW	ECB29-8	12L50	•	•	•	•	•	•	•	•	•	•	•	•	•
10 kW	ECB29-10	13T83							•	•	•	•			
208/240V-1ph - Circuit Breaker Models															
4 kW	ECB29-4CB	12L45	•	•	•	•	•	•	•	•	•	•	•	•	•
5 kW	ECB29-5CB	12L47	•	•	•	•	•	•	•	•	•	•	•	•	•
6 kW	ECB29-6CB	12L49	•	•	•	•	•	•	•	•	•	•	•	•	•
8 kW	ECB29-8CB	12L52	•	•	•	•	•	•	•	•	•	•	•	•	•
9 kW	ECB29-9CB	13T79	•	•	•	•	•	•	•	•	•	•	•	•	•
10 kW	ECB29-10CB	13T87	•	•	•	•	•	•	•	•	•				
12.5 kW	ECB29-12.5CB	13T88		•	•	•	•	•			•	•	•	•	•
15 kW	ECB29-15CB	13T91		•	•	•	•	•			•	•	•	•	•
20 kW	ECB29-20CB	13T92			•	•	•	•				•	•	•	•
25 kW	ECB29-25CB	12L59					•	•					•	•	•
30 kW	ECB29-30CB	12L60						•							
208/240V-3ph - Terminal Block Models															
8 kW	ECB29-8	12L61			•	•	•	•			•	•	•	•	•
10 kW	ECB29-10	12L62			•	•	•	•			•	•	•	•	•
208/240V-3ph - Circuit Breaker Models															
15 kW	ECB29-15CB	12L63			•	•	•	•			•	•	•	•	•
20 kW	ECB29-20CB	12L64			•	•	•	•				•	•	•	•
25 kW	ECB29-25CB	12L65					•	•					•	•	•
460V-3ph - Terminal Block Models															
10 kW	ECB29-10	28K47			•		•	•				•		•	•
15 kW	ECB29-15	28K48			•		•	•				•		•	•
20 kW	ECB29-20	28K49					•	•						•	•
25 kW	ECB29-25	28K50					•	•						•	•
575V-3ph - Terminal Block Models (575V to 460V step-down transformer furnished with 575V electric heaters for use with 460V air handlers in 575V applications)															
20 kW	ECB29-20	28K51					•	•						•	•
25 kW	ECB29-25	28K52					•	•						•	•

NOTE – Due to Lennox' ongoing commitment to quality, Specifications, Ratings and Dimensions subject to change without notice and without incurring liability. Improper installation, adjustment, alteration, service or maintenance can cause property damage or personal injury. Installation and service must be performed by a qualified installer and servicing agency. © 2019 Lennox Industries Inc.



OPTIONAL ELECTRIC HEAT - ORDER SEPARATELY

			CBA25UH / CBA25UHV						
Model			-018	-024	-030	-036	-042	-048	-060
208/240V-1ph - Terminal Block Models									
5 kW	ECBA25-5	16Y36	•	•	•	•	•	•	•
7.5 kW	ECBA25-7.5	16Y37	•	•	•	•	•	•	•
10 kW	ECBA25-10	16Y38	•	•	•	•	•	•	•
208/240V-1ph - Circuit Breaker Models									
5 kW	ECBA25-5CB	16Y39	•	•	•	•	•	•	•
7.5 kW	ECBA25-7.5CB	16Y41	•	•	•	•	•	•	•
10 kW	ECBA25-10CB	16Y42	•	•	•	•	•	•	•
12.5 kW	ECBA25-12.5CB	16Y43			•	•	•	•	•
15 kW	ECBA25-15CB	16Y44			•	•	•	•	•
20 kW	ECBA25-20CB	16Y46					•	•	•

OPTIONAL ELECTRIC HEAT - ORDER SEPARATELY

			CBX25UH / CBX25UHV						
Model			-018	-024	-030	-036	-042	-048	-060
208/240V-1ph - Wire Lead Models									
2.5 kW	ECB25-2.5	12R08	•	•	•	•	•		
208/240V-1ph - Terminal Block Models									
5 kW	ECB25-5	12R45	•	•	•	•	•	•	•
7.5 kW	ECB25-7.5	12R61	•	•	•	•	•	•	•
10 kW	ECB25-10	12S59		•	•	•	•	•	•
208/240V-1ph - Circuit Breaker Models									
5 kW	ECB25-5CB	12R60	•	•	•	•	•	•	•
7.5 kW	ECB25-7.5CB	12S08	•	•	•	•	•	•	•
10 kW	ECB25-10CB	12S60	¹ •	•	•	•	•	•	•
12.5 kW	ECB25-12.5CB	12S77			•	•	•	•	•
15 kW	ECB25-15CB	12S87			•	•	•	•	•
20 kW	ECB25-20CB	12S88					•	•	•

¹ CBX25UHV models only.



OPTIONAL ACCESSORIES

	Item	CBX32M						CBA38MV					
		-024	-030	-036	-042	-048	-060	-018/024	-030	-036	-042	-048	-060
Circuit Breaker Cover Kit	82W01	•	•	•	•	•	•	•	•	•	•	•	•
Discharge Air Sensor (For EvenHeater Applications)	88K38							•	•	•	•	•	•
Downflow Additive Flooring Base	34J72	•											
	44K15		•	•	•	•	•	•	•	•	•	•	•
Downflow Conversion Kit	83M57	•	•	•	•	•	•						
Horizontal Support Frame Kit	56J18	•	•	•	•	•	•	•	•	•	•	•	•
Hot Water Heat Kit	90W84							•	•	•	•	•	•
iComfort® S30 Thermostat	12U67							•	•	•	•	•	•
Side Return Unit Stand (Upflow Only)	45K31	•											
	45K32		•	•	•	•	•	•	•	•	•	•	•
Single Point Power Source Control Box (2 or 3 circuits)	21H39	•	•	•	•	•	•	•	•	•	•	•	•
Wall Hanging Bracket Kit (Upflow Only)	45K30	•	•	•	•	•	•	•	•	•	•	•	•

¹ Cabinet size D x W - 17-3/8 x 22 in.
² Cabinet size D x W - 21-3/8 x 22 in.
³ Cabinet size D x W - 26-3/8 x 22 in.



OPTIONAL ACCESSORIES

	Model	CBA25UHV						CBA25UH							
		-018	-024	-030	-036	-042	-048	-060	-018	-024	-030	-036	-042	-048	-060
Downflow Conversion Kit	Y9658	•	•	•					•	•	•				
	Y9659				•	•	•	•				•	•	•	•
Horizontal Support Frame Kit	56J18	•	•	•	•	•	•	•	•	•	•	•	•	•	•
Side Return Unit Stand (Upflow Only)	45K32	•	•	•	•	•	•	•	•	•	•	•	•	•	•
Single Point Power Source Control Box (2 or 3 circuits)	21H39	•	•	•	•	•	•	•	•	•	•	•	•	•	•
Wall Hanging Bracket Kit (Upflow Only)	45K30	•	•	•	•	•	•	•	•	•	•	•	•	•	•

¹ Cabinet size D x W - 21-3/8 x 22 in.
² Cabinet size D x W - 26-3/8 x 22 in.

OPTIONAL ACCESSORIES

	Model	CBX25UHV						CBX25UH						CBA27UHE									
		-018	-024	-030	-036	-042	-048	-060	-018	-024	-030	-036	-042	-048	-060	-018	-024	-030	-036	-042	-048	-060	
Circuit Breaker Cover Kit	82W01															•	•	•	•	•	•	•	•
Dehumidification Relay Kit	26W62															•	•	•	•	•	•	•	•
Downflow Additive Flooring Base	44K15															•	•	•	•	•	•	•	•
Downflow Conversion Kit	96W37							•															
	96W38								•	•													
	97W95										•												
	97W96											•	•	•									
	83M57															•	•	•	•	•	•	•	•
Healthy Climate® UVC-24V (24V)	X9423														•	•	•	•	•	•	•	•	
UVC Germicidal Light (110/230V-1 ph)	X9424														•	•	•	•	•	•	•	•	
Shielding Baffle (required)	X9900														•	•	•	•	•	•	•	•	
Horizontal Support Frame Kit	56J18	•	•	•	•	•	•	•	•	•	•	•	•	•	•	•	•	•	•	•	•	•	•
Side Return Unit Stand (Upflow Only)	45K31	•							•														
	45K32		•	•	•	•	•	•		•	•	•	•	•	•	•	•	•	•	•	•	•	•
Single Point Power Source Control Box (2 or 3 circuits)	21H39	•	•	•	•	•	•	•	•	•	•	•	•	•	•	•	•	•	•	•	•	•	•
Wall Hanging Bracket Kit (Upflow Only)	45K30	•	•	•	•	•	•	•	•	•	•	•	•	•	•	•	•	•	•	•	•	•	•

¹ Cabinet size D x W - 21-3/8 x 22 in.
² Cabinet size D x W - 26-3/8 x 22 in.



PRODUCT CATALOG

**Multi-Zone Heat Pump System - R-410A
SEER - Up to 23.00
HSPF - Up to 10.3**

FEATURES

OUTDOOR UNITS

Zoning

Multi-zone heat pumps allow up to five indoor units (five zones) to be connected to one outdoor unit.

Compressor

Variable frequency rotary compressor

Compressor crankcase heater

Controls

DC inverter control

Outdoor unit microprocessor

Electronic expansion valve

Compressor overcurrent protection

Condenser high temperature protection

High pressure discharge temperature protection

Intelligent Power Module (IPM) Protection

Low and high voltage protection

Terminal strip

Defrost control

Reversing valve

Outdoor Unit Cabinet

Heavy gauge steel

Condensate drain outlets

Pan heater

Access cover for power and control wiring

Access cover for service valves

INDOOR UNITS

Wall-Mount

Cassette

Ceiling/Floor Mount

Medium Static Ducted

Blower

Multi-speed fan

Filter

Cleanable filter

Controls

Indoor unit microprocessor

LED Readout



- Auto restart
- Cooling override
- Terminal strip
- Indoor coil freeze protection
- Time delay
- Auto operation

Condensate Pump

Furnished with Cassette and Ducted models

CONTROLS (FURNISHED)

Wireless Remote Control -

Furnished with Wall-Mounted Indoor Units, Cassette Indoor Units and Ceiling/Floor Indoor Units

Wired Remote Control - Furnished with Ducted Indoor Units

NOTE - As an option, a wired control can be ordered for a wall-mount, cassette or ceiling/floor mount unit if desired.

LIMITED WARRANTY

Compressor - seven years
All covered components - five years
Refer to Lennox Equipment Limited Warranty certificate included with equipment for details

DIMENSIONS

See page 14

ACCESSORIES

See page 7

Outdoor Unit

- Condenser Pad
- Disconnect
- Fuses
- Line Sets
- Wall Brackets
- Whips

Indoor Unit

- Condensate Pump
- Drain Line
- Indoor/Outdoor Wiring Cable

Installation Accessories

- Speedichannel™ System

NOTE - Due to Lennox' ongoing commitment to quality, Specifications, Ratings and Dimensions subject to change without notice and without incurring liability. Improper installation, adjustment, alteration, service or maintenance can cause property damage or personal injury. Installation and service must be performed by a qualified installer and servicing agency.

SPECIFICATIONS - MPB OUTDOOR UNITS		1.5 - 2.5 TON	
Nominal Size - Tons		1.5	2.5
Outdoor Unit Model No.		MPB018S4M	MPB030S4M
Number of Zones		2	Up to 3
Ambient Temperature Range - °F	Cooling	-13 - 122	-13 - 122
	Heating	-13 - 86	-13 - 86
Sound Data (dBA)	Cooling	62	63
	Heating	62	63
Refrigerant	Charge furnished (R-410A)	4 lbs. 7 oz.	6 lbs. 3 oz.
	Maximum line length with furnished charge (per zone) - ft.	25	25
	Additional charge required per ft. - oz.	0.161	0.161
Compressor	No. and Type	(1) Rotary	(1) Rotary
	Refrigerant oil type	VG74	VG74
	Refrigerant oil charge - oz.	16.9	22.7
Connections	Liquid+Gas pipe (in.) flare	(2) 1/4 + (2) 3/8	(3) 1/4 + (3) 3/8
	Max pipe. length for all rooms - ft.	131	197
	Max. pipe length for one indoor unit - ft.	82	98
	Max. height difference between indoor and outdoor units - ft.	49	49
	Max. height difference between indoor units - ft.	33	33
Outdoor Fan	(No.) Diameter - in.	(1) 19	(1) 20
	Total air volume - cfm	1390	2130
	Motor rpm	150/200/250/300/350/450/550/650/ 800/850	150/200/250/300/400/500/600/750/ 900/1000
Outdoor Coil	Number of rows	2	2
	Fins per inch	18	17
	Fin type	Hydrophilic Aluminum	
	Tube outside diameter - in.	3/8	3/8
	Tube type	Rifled Copper Tubing	
Net face area - ft. ²	5.19	8.24	
Application area - sq. ft.		260 - 375	430 - 630
Design Pressure	PSIG	550/340	550/340
Shipping Data	Net/Shipping weight (lbs.)	106 / 115	150 / 161
ELECTRICAL DATA			
Electrical Characteristics - 60 Hz - 1 Phase		208/230V	208/230V
¹ Maximum Overcurrent Protection (amps)		25	35
² Minimum circuit ampacity		18	25
Compressor Rated load amps		10	20
Outdoor Fan Motor	Rated load amps	0.74	0.9
	Output - W	50	120

NOTE - Extremes of operating range are plus and minus 10% of line voltage.

¹ HACR type circuit breaker or fuse.

² Refer to National or Canadian Electrical Code manual to determine wire, fuse and disconnect size requirements.

NOTE - Adaptors are furnished for the gas pipe connections:

018 - (2) 3/8 x 1/2 in.

030 - (3) 3/8 x 1/2 in.



NOTE - Due to Lennox' ongoing commitment to quality, Specifications, Ratings and Dimensions subject to change without notice and without incurring liability. Improper installation, adjustment, alteration, service or maintenance can cause property damage or personal injury. Installation and service must be performed by a qualified installer and servicing agency.

SPECIFICATIONS - MPB OUTDOOR UNITS		3 - 4 TON	
Nominal Size - Tons		3	4
Outdoor Unit Model No.		MPB036S4M	MPB048S4M
Number of Zones		Up to 4	Up to 5
Ambient Temperature Range - °F	Cooling	-13 - 122	-13 - 122
	Heating	-13 - 86	-13 - 86
Sound Data (dBA)	Cooling	62	64
	Heating	62	64
Refrigerant	Charge furnished (R-410A)	6 lbs. 10 oz.	10 lbs. 2 oz.
Maximum line length with furnished charge (per zone) - ft.		25	25
Additional charge required per ft. - oz.		0.161	0.32
Compressor	No. and Type	(1) Rotary	(1) Twin Rotary
	Refrigerant oil type	VG74	VG74
	Refrigerant oil charge - oz.	33.8	47.3
Connections	Liquid+Gas+Gas pipe (in.) flare	(4) 1/4 + (3) 3/8 + (1) 1/2	(5) 1/4 + (3) 3/8 + (2) 1/2
	Max pipe. length for all rooms - ft.	262	262
	Max. pipe length for one indoor unit - ft.	115	115
	Max. height difference between indoor and outdoor units - ft.	49	49
	Max. height difference between indoor units - ft.	33	33
Outdoor Fan	(No.) Diameter - in.	(1) 20	(2) 22
	Total air volume - cfm	2130	4500
	Motor rpm	150/200/250/300/400/500/600/750/ 900/1000	150/200/250/300/400/500/600/700/ 800/870
Outdoor Coil	Number of rows	2	2
	Fins per inch	19	18
	Fin type	Hydrophilic Aluminum	
	Tube outside diameter - in.	3/8	3/8
	Tube type	Rifled Copper Tubing	
Net face area - ft. ²		8.16	6.43 (inner coil) / 6.97 (outer coil)
Application area - sq. ft.		515 - 755	690 - 1010
Design Pressure PSIG		550/340	550/340
Shipping Data Net/Shipping weight (lbs.)		157 / 168	224 / 255
ELECTRICAL DATA			
Electrical Characteristics - 60 Hz - 1 Phase		208/230V	208/230V
¹ Maximum Overcurrent Protection (amps)		45	50
² Minimum circuit ampacity		30	35
Compressor Rated load amps		22	21
Outdoor Fan Motor	Rated load amps	1.3	(2) 0.39
	Output - W	120	(2) 85

NOTE - Extremes of operating range are plus and minus 10% of line voltage.

¹ HACR type circuit breaker or fuse.

² Refer to National or Canadian Electrical Code manual to determine wire, fuse and disconnect size requirements.

NOTE - Adaptors are furnished for the gas pipe connections:

036 - (3) 3/8 x 1/2 in. and (1) 1/2 x 3/8 in.

048 - (3) 3/8 x 1/2 in., (2) 1/2 x 3/8 in., (2) 1/4 x 3/8 in. and (2) 1/2 x 5/8 in.


AHRI RATINGS

Outdoor Unit Model No.	Number of Zones	System Type	Cooling Btuh	High Temperature Heating Btuh	Low Temperature Heating Btuh	SEER	EER	HSPF (Region IV)	AHRI Reference Number	Energy Star
MPB018S4M	2	Ducted	18,000	18,500	11,400	18.4	11.8	9.4	10062011	No
		Non-Ducted	18,000	19,000	12,000	22.5	12.5	10.3	201771983	Yes
		Mixed Ducted and Non-Ducted	18,000	18,600	11,633	19.8	12.03	9.9	202119242	Yes
MPB030S4M	Up to 3	Ducted	27,000	27,000	16,200	18.5	11	9	10062013	No
		Non-Ducted	28,000	28,000	17,200	23	12.5	10.3	201771984	Yes
		Mixed Ducted and Non-Ducted	27,600	27,600	17,000	20.83	11.5	9.77	202119243	Yes
MPB036S4M	Up to 4	Ducted	36,000	36,000	22,800	17.9	10	9.7	10062015	No
		Non-Ducted	36,000	36,000	24,600	22.5	11.5	10.2	10062014	No
		Mixed Ducted and Non-Ducted	36,000	36,200	23,466	20.47	10.5	9.97	202119244	Yes
MPB048S4M	Up to 5	Ducted	48,000	50,000	33,000	17.6	10.1	10.1	10062017	No
		Non-Ducted	48,000	48,000	29,600	22.4	12.5	10.2	201771986	Yes
		Mixed Ducted and Non-Ducted	48,000	49,000	32,200	20.17	10.9	10.6	202119245	Yes


NOTE - Per AHRI, the certified ratings for systems are valid for all combinations of indoor units with the specific outdoor units listed above and in the AHRI Directory of Certified Equipment. Please visit <http://www.ahridirectory.org> for further details and latest updates.

¹ Ratings are AHRI certified to AHRI Standard 1230-2010 with Addendum 2;

- Cooling Ratings - 80°F dry bulb/67°F wet bulb entering indoor coil air and 95°F dry bulb/75°F wet bulb outdoor air temperature.
- High Temperature Heating Ratings - 70°F dry bulb/60°F wet bulb entering indoor coil air and 47°F dry bulb/43°F wet bulb outdoor air temperature.
- Low Temperature Heating Ratings - 70°F dry bulb/60°F wet bulb entering indoor coil air and 17°F dry bulb/15°F wet bulb outdoor air temperature.

SPECIFICATIONS - WALL-MOUNTED INDOOR UNITS


Model No.		MWMA009S4	MWMA012S4	MWMA018S4	MWMA024S4
Nominal Tons		0.75	1	1.5	2
Power Supply - 60 hz - 1 phase		208/230V	208/230V	208/230V	208/230V
Rated load amps		0.06	0.06	0.13	0.3
Output (W)		20	20	58	60
Room Temperature Range (°F)	Cooling	62 - 90	62 - 90	62 - 90	62 - 90
	Heating	32 - 86	32 - 86	32 - 86	32 - 86
Air Volume - cfm (High/Medium/Low)		370/270/195	370/275/200	530/410/295	695/625/485
Sound Data (dBA) - Low/Medium/High		26.5/33.4/41.7	28.6/35.8/45.1	30.9/36.3/46.2	35.1/44.5/51.7
Piping Connections - Liquid/Gas - o.d. - flare - in.		1/4 / 3/8	1/4 / 1/2	1/4 / 1/2	3/8 / 5/8
Drain connection o.d. - in.		1	1	1	1
Net/Shipping weights - lbs.		20 / 26	20 / 27	27 / 35	40 / 54


SPECIFICATIONS - CASSETTE INDOOR UNITS


Model No.		M22A009S4	M22A012S4	M22A018S4	M33A024S4
Nominal Tons		0.75	1	1.5	2
Power Supply - 60 hz - 1 phase		208/230V	208/230V	208/230V	208/230V
Rated load amps		0.9	1.0	1.5	2.0
Output (W)		46	46	46	42
Room Temperature Range (°F)	Cooling	62 - 90	62 - 90	62 - 90	62 - 90
	Heating	32 - 86	32 - 86	32 - 86	32 - 86
Air Volume - cfm (High/Medium/Low)		375/300/255	380/310/260	560/485/415	700/635/575
Sound Data (dBA) - Low/Medium/High		33/37/41	36/39/43	36/39/44	43/47/51
Piping Connections - Liquid/Gas - o.d. - flare - in.		1/4 / 3/8	1/4 / 1/2	1/4 / 1/2	3/8 / 5/8
Drain connection o.d. - in.		1	1	1	1-1/4
Net/Shipping weights - lbs. Body		32 / 38	36 / 41	36 / 42	47 / 55


REQUIRED COMPONENTS - ORDERED SEPARATELY

Cassette Panel	13X04 (M0STAT62Q-1)	13X04 (M0STAT62Q-1)	13X04 (M0STAT62Q-1)	13X05 (M0STAT63Q-1)
Net/Shipping weights - lbs.	6 / 10	6 / 10	6 / 10	12 / 18

SPECIFICATIONS - CEILING/FLOOR MOUNT INDOOR UNITS

	Model No.	MCFB018S4	MCFA024S4
	Nominal Tons		1.5
Power Supply - 60 hz - 1 phase		208/230V	208/230V
Rated load amps		1.5	2.0
Output (W)		55	55
Room Temperature Range (°F)	Cooling	62 - 90	62 - 90
	Heating	32 - 86	32 - 86
Air Volume - cfm (High/Medium/Low)		580/520/465	760/710/600
Sound Data (dBA) - Low/Medium/High		39/44/47	42/48/53
Piping Connections - Liquid/Gas - o.d. - flare - in.		1/4 / 1/2	3/8 / 5/8
Drain connection o.d. - in.		1	1
Net/Shipping weights - lbs.		55 / 66	59 / 70

SPECIFICATIONS - MEDIUM STATIC DUCTED INDOOR UNITS

	Model No.	MMDB009S4	MMDB012S4	MMDB018S4	MMDB024S4
	Nominal Tons		0.75	1	1.5
Power Supply - 60 hz - 1 phase		208/230V	208/230V	208/230V	208/230V
Rated load amps		1.11	1.11	1.2	1.5
Output (W)		55	55	160	160
Room Temperature Range (°F)	Cooling	62 - 90	62 - 90	62 - 90	62 - 90
	Heating	32 - 86	32 - 86	32 - 86	32 - 86
Air Volume - cfm (High/Medium/Low)		355/285/175	355/285/175	530/450/370	775/695/435
External Static Pressure (in. w.g)		0 - 0.16	0 - 0.16	0 - 0.40	0 - 0.64
Sound Data (dBA) - Low/Medium/High		25/32/38	26/33.5/38	35/37/39	36/41/44
Piping Connections - Liquid/Gas - o.d. - flare - in.		1/4 / 3/8	1/4 / 3/8	1/4 / 1/2	3/8 / 5/8
Drain connection o.d. - in.		1	1	1	1
Net/Shipping weights - lbs.		38 / 49	38 / 49	54 / 66	87 / 103

NOTE - Due to Lennox' ongoing commitment to quality, Specifications, Ratings and Dimensions subject to change without notice and without incurring liability. Improper installation, adjustment, alteration, service or maintenance can cause property damage or personal injury. Installation and service must be performed by a qualified installer and servicing agency.

OPTIONAL ACCESSORIES - ORDER SEPARATELY

Description	Catalog No.	Size						
		09	12	18	24	30	36	48
OUTDOOR UNIT								
Condenser Pad (18 x 38 x 3)	Y5014			•		•	•	•
Disconnects	30 amp, fused, 1 ph	27P37		•		•	•	•
	60 amp, non-fused, 1 ph	27P39		•		•	•	•
Fuses	30A	83P75		•		•	•	•
	60A	83P77		•		•	•	•
Hail Guards	M9GARD15Q-1	15D26		•		N/A		
	M9GARD17Q-1	15D28		N/A		•	•	N/A
	M9GARD18Q-1	15D29		N/A		N/A		•
¹ Line Sets	1/4 in. x 3/8 in. x 25 ft.	90X53	N/A	N/A	•	•	•	•
	1/4 in. x 3/8 in. x 50 ft.	X0258			•	•	•	•
	1/4 in. x 1/2 in. x 25 ft.	90X52			•	•	•	•
	1/4 in. x 1/2 in. x 50 ft.	X0259			•	•	•	•
	3/8 in. x 5/8 in. x 25 ft.	X8406			N/A	N/A		•
	3/8 in. x 5/8 in. x 50 ft.	X8407			N/A	N/A		•
Wall Brackets	30 inch	X1727		•		N/A		
	36 inch	X1728		N/A		•	•	•
Whips	10 Gauge - 1/2 in. x 6 ft.	29P54		•		•	•	•
	8 Gauge - 3/4 in. x 6 ft.	27P44		•		•	•	•
INDOOR UNIT								
² Diversitech Condensate Pumps with Reservoir	ClearVue Mini™ - 7.9 US gallons per hour, 35 ft. lift - 120/240V	Y5170	•	•	•	•	N/A	N/A
	Mini-Split Pump - 4 US gallons per hour, 20 ft. lift - 115V	Y7946	•	•	N/A			
	Mini-Split Pump - 4 US gallons per hour, 20 ft. lift - 230V	Y7949	•	•	•	•		
² Blue Diamond® Condensate Pumps with Reservoir	MicroBlue® - 1.3 US gallons per hour, 6 ft. lift - 110v-230V	14T74	•	•	•	N/A		
	MaxiBlue® - 3.7 US gallons per hour, 16.5 ft. lift - 208-230V	14T69	N/A		•			
	MultiTank Kit	14T75	N/A		•			
	Sensor Cable Extension - 16 ft.	14T76	•	•	•	•		
A/C Easy Tee® Condensate Cleanout		Y7947	•	•	•	•		
CONTROLS								
Wired Remote Controller (Furnished With All Ducted Models)	M0STAT61Q-1	14A66	•	•	•	•	•	•
Extension Cable for Wired Remote Controller - 20 ft.		Y8008	•	•	•	•	•	•
NOTE - The Wired Remote Controller above is furnished as standard with the indoor ducted models. As an option, the Wired Remote Controller can be ordered for a wall-mount, cassette or ceiling/floor mount unit if desired.								
Wired Programmable Controller	M0STAT64Q-1	15D30	•	•	•	•	•	•
Extension Cable for Wired Programmable Controller - 20 ft.	M0CTRL64Q-1	Y8738	•	•	•	•	•	•
Indoor/Outdoor Wiring Cable - 14 Gauge, 4 conductor wire, THHN, 250 ft.		Y2067	•	•	•	•	•	•
SPEEDICHANNEL™ SYSTEM								
SpeediChannel™ Starter Kit - 4 in.		Y3387	•	•	•	•	•	•
SpeediChannel - 4 in. x 6-1/2 ft. (qty. 6)		Y3388	•	•	•	•	•	•
Union Coupling - 4 in.		Y3389	•	•	•	•	•	•
90° Flat Bend Elbow - 4 in.		Y3390	•	•	•	•	•	•
90° Inside Elbow - 4 in.		Y3391	•	•	•	•	•	•
45° Flat Bend Elbow - 4 in.		Y3392	•	•	•	•	•	•
Flex Joint - 4 in.		Y3393	•	•	•	•	•	•
T-Joint - 4 in.		Y3394	•	•	•	•	•	•
Duct End - 4 in.		Y3395	•	•	•	•	•	•
Flat Wall Escutcheon - 4 in.		Y3396	•	•	•	•	•	•
Wall Penetration Cover - 4 in.		Y3399	•	•	•	•	•	•
Mount Block (White) Qty, 2 - 14 in.		Y3397	•	•	•	•	•	•
Mount Block (White) Qty, 2 - 36 in.		Y3398	•	•	•	•	•	•

¹ See Connections and Line Set Usage tables on page 11.

² Y7946, Y7949 and 14T74 condensate pumps can be installed inside the indoor units. All other pumps must be installed external to the indoor unit.

NOTE - Due to Lennox' ongoing commitment to quality, Specifications, Ratings and Dimensions subject to change without notice and without incurring liability. Improper installation, adjustment, alteration, service or maintenance can cause property damage or personal injury. Installation and service must be performed by a qualified installer and servicing agency.

MULTI-ZONE SYSTEM COMBINATIONS

NOTE - For multi-zone systems, the total capacity of all indoor units must be 66% to 133% of the outdoor unit capacity.

Outdoor Unit Model No.	Number of Zones	Indoor Unit Capacity					Nominal Cooling Capacity at Rated System Capacity (Btuh)					Nominal Heating Capacity at Rated System Capacity (Btuh)					
		#1	#2	#3	#4	#5	#1	#2	#3	#4	#5	#1	#2	#3	#4	#5	
MPB018S4M	¹ 1	012	---	---	---	---	9,000	---	---	---	---	9,500	---	---	---	---	
	2	009	009	---	---	---	9,000	9,000	---	---	---	9,500	9,500	---	---	---	
		009	012	---	---	---	8,500	10,500	---	---	---	9,000	11,000	---	---	---	
		012	012	---	---	---	9,500	9,500	---	---	---	10,000	10,000	---	---	---	
MPB030S4M	¹ 1	018	---	---	---	---	16,600	---	---	---	---	18,000	---	---	---	---	
	2	009	009	---	---	---	9,500	9,500	---	---	---	10,000	10,000	---	---	---	
		009	012	---	---	---	9,500	12,000	---	---	---	10,000	13,000	---	---	---	
		009	018	---	---	---	8,400	16,600	---	---	---	9,000	18,000	---	---	---	
		012	012	---	---	---	12,000	12,000	---	---	---	13,000	13,000	---	---	---	
		012	018	---	---	---	10,000	15,000	---	---	---	11,200	16,800	---	---	---	
		018	018	---	---	---	14,000	14,000	---	---	---	15,000	15,000	---	---	---	
	3	009	009	009	---	---	9,000	9,000	9,000	---	---	9,500	9,500	9,500	---	---	
		009	009	012	---	---	8,667	8,667	11,667	---	---	9,500	9,500	12,000	---	---	
		009	012	012	---	---	8,333	8,333	13,333	---	---	9,000	9,000	14,000	---	---	
		009	009	018	---	---	8,500	10,000	10,000	---	---	8,500	11,000	11,000	---	---	
		012	012	012	---	---	9,667	9,667	9,667	---	---	10,667	10,667	10,667	---	---	
	MPB036S4M	2	009	009	---	---	---	10,000	10,000	---	---	---	10,500	10,500	---	---	---
			009	012	---	---	---	9,500	12,000	---	---	---	10,000	13,000	---	---	---
009			018	---	---	---	9,500	17,500	---	---	---	10,000	18,000	---	---	---	
009			024	---	---	---	9,000	24,000	---	---	---	10,000	25,000	---	---	---	
012			012	---	---	---	12,000	12,000	---	---	---	13,000	13,000	---	---	---	
012			018	---	---	---	12,000	18,000	---	---	---	13,000	18,000	---	---	---	
012			024	---	---	---	11,000	23,000	---	---	---	12,000	24,000	---	---	---	
018			018	---	---	---	16,500	16,500	---	---	---	17,000	17,000	---	---	---	
3		009	009	009	---	---	9,333	9,333	9,333	---	---	9,667	9,667	9,667	---	---	
		009	009	012	---	---	9,000	9,000	12,000	---	---	9,500	9,500	12,500	---	---	
		009	009	018	---	---	8,000	8,000	16,000	---	---	8,500	8,500	17,000	---	---	
		009	012	012	---	---	8,500	11,500	11,500	---	---	9,000	12,000	12,000	---	---	
		009	012	018	---	---	8,000	11,000	15,000	---	---	8,500	11,500	16,000	---	---	
		009	018	018	---	---	8,000	14,000	14,000	---	---	8,500	14,500	14,500	---	---	
		012	012	012	---	---	11,333	11,333	11,333	---	---	12,000	12,000	12,000	---	---	
		012	012	018	---	---	11,000	11,000	14,000	---	---	12,000	12,000	15,000	---	---	
		012	018	018	---	---	9,333	13,333	13,333	---	---	10,000	14,500	14,500	---	---	
4		009	009	009	009	---	9,000	9,000	9,000	9,000	---	9,500	9,500	9,500	9,500	---	
		009	009	009	012	---	8,500	8,500	8,500	11,500	---	9,000	9,000	9,000	12,000	---	
		009	009	009	018	---	8,000	8,000	8,000	14,000	---	8,500	8,500	8,500	14,000	---	
		009	009	012	012	---	8,000	8,000	10,500	10,500	---	8,500	8,500	11,000	11,000	---	
		009	009	012	018	---	7,500	7,500	9,000	14,000	---	8,000	8,000	9,500	14,500	---	
	009	012	012	012	---	7,000	10,000	10,000	10,000	---	8,000	10,500	10,500	10,500	---		
	012	012	012	012	---	9,500	9,500	9,500	9,500	---	10,000	10,000	10,000	10,000	---		

¹ One outdoor unit may be matched with one indoor unit for single zone applications. A second indoor unit can be added at a later date for multi-zone applications.

MULTI-ZONE SYSTEM COMBINATIONS

NOTE - For multi-zone systems, the total capacity of all indoor units must be 66% to 133% of the outdoor unit capacity.

Outdoor Unit Model No.	Number of Zones	Indoor Unit Capacity					Nominal Cooling Capacity at Rated System Capacity (Btuh)					Nominal Heating Capacity at Rated System Capacity (Btuh)				
		#1	#2	#3	#4	#5	#1	#2	#3	#4	#5	#1	#2	#3	#4	#5
MPB048S4M	2	009	018	---	---	---	9,500	18,000	---	---	---	10,000	18,000	---	---	---
		009	024	---	---	---	9,500	24,000	---	---	---	10,000	25,000	---	---	---
		012	012	---	---	---	12,500	12,500	---	---	---	13,000	13,000	---	---	---
		012	018	---	---	---	12,000	18,000	---	---	---	13,000	19,000	---	---	---
		012	024	---	---	---	12,000	24,000	---	---	---	10,000	25,000	---	---	---
		018	018	---	---	---	18,500	18,500	---	---	---	19,000	19,000	---	---	---
		018	024	---	---	---	17,500	22,500	---	---	---	18,000	23,000	---	---	---
		024	024	---	---	---	21,000	21,000	---	---	---	22,000	22,000	---	---	---
	3	009	009	009	---	---	9,500	9,500	9,500	---	---	11,000	11,000	11,000	---	---
		009	009	012	---	---	9,500	9,500	12,000	---	---	10,000	10,000	13,000	---	---
		009	009	018	---	---	9,500	9,500	18,000	---	---	10,000	10,000	19,000	---	---
		009	009	024	---	---	9,000	9,000	22,500	---	---	9,500	9,500	23,500	---	---
		009	012	012	---	---	9,500	12,500	12,500	---	---	10,000	10,000	13,000	---	---
		009	012	018	---	---	9,000	12,000	18,000	---	---	9,500	9,500	19,000	---	---
		009	012	024	---	---	9,000	12,000	21,500	---	---	9,500	12,500	22,000	---	---
		009	018	018	---	---	9,000	18,000	18,000	---	---	9,500	18,500	18,500	---	---
		009	018	024	---	---	8,500	15,500	21,000	---	---	9,000	16,000	21,500	---	---
		009	024	024	---	---	8,000	20,000	20,000	---	---	8,500	21,000	21,000	---	---
		012	012	012	---	---	12,000	12,000	12,000	---	---	13,000	13,000	13,000	---	---
		012	012	018	---	---	12,000	12,000	17,000	---	---	12,500	12,500	18,000	---	---
		012	018	018	---	---	11,000	11,000	22,000	---	---	11,500	11,500	23,000	---	---
		012	012	024	---	---	11,000	16,500	16,500	---	---	11,500	17,000	17,000	---	---
		012	018	024	---	---	10,500	15,500	21,500	---	---	11,000	16,000	22,000	---	---
		012	024	024	---	---	10,000	20,000	20,000	---	---	11,000	20,500	20,500	---	---
		018	018	018	---	---	16,000	16,000	16,000	---	---	16,500	16,500	16,500	---	---
		018	018	024	---	---	15,000	15,000	20,000	---	---	15,500	15,500	21,000	---	---

¹ One outdoor unit may be matched with one indoor unit for single zone applications. A second indoor unit can be added at a later date for multi-zone applications.

MULTI-ZONE SYSTEM COMBINATIONS

NOTE - For multi-zone systems, the total capacity of all indoor units must be 66% to 133% of the outdoor unit capacity.

Outdoor Unit Model No.	Number of Zones	Indoor Unit Capacity					Nominal Cooling Capacity at Rated System Capacity (Btuh)					Nominal Heating Capacity at Rated System Capacity (Btuh)				
		#1	#2	#3	#4	#5	#1	#2	#3	#4	#5	#1	#2	#3	#4	#5
MPB048S4M	4	009	009	009	009	---	9,250	9,250	9,250	9,250	---	9,500	9,500	9,500	9,500	---
		009	009	009	012	---	9,000	9,000	9,000	12,000	---	9,500	9,500	9,500	12,500	---
		009	009	009	018	---	9,000	9,000	9,000	17,000	---	9,500	9,500	9,500	17,500	---
		009	009	009	024	---	8,500	8,500	8,500	20,500	---	9,000	9,000	9,000	21,000	---
		009	009	012	012	---	9,000	9,000	12,000	12,000	---	9,500	9,500	13,000	13,000	---
		009	009	012	018	---	9,000	9,000	11,000	17,000	---	9,500	9,500	11,500	17,500	---
		009	009	012	024	---	8,500	8,500	10,500	20,500	---	9,000	9,000	11,100	21,000	---
		009	009	018	018	---	8,500	8,500	15,500	15,500	---	9,000	9,000	16,000	16,000	---
		009	009	018	024	---	8,000	8,000	14,500	20,000	---	8,500	8,500	15,000	20,000	---
		009	012	012	012	---	9,000	12,000	12,000	12,000	---	9,500	12,500	12,500	12,500	---
		009	012	012	018	---	9,000	11,000	11,000	16,000	---	9,500	11,500	11,500	16,500	---
		009	012	012	024	---	8,500	10,000	10,000	20,000	---	9,000	10,500	10,500	20,500	---
		009	012	018	018	---	8,500	10,000	15,000	15,000	---	9,000	10,500	15,500	15,500	---
		009	018	018	018	---	8,000	14,000	14,000	14,000	---	8,500	14,500	14,500	14,500	---
		012	012	012	012	---	12,000	12,000	12,000	12,000	---	12,500	12,500	12,500	12,500	---
		012	012	012	018	---	11,000	11,000	11,000	16,000	---	11,500	11,500	11,500	16,500	---
	012	012	012	024	---	10,000	10,000	10,000	20,000	---	10,500	10,500	10,500	20,500	---	
	012	012	018	018	---	10,000	10,000	15,000	15,000	---	10,500	10,500	15,500	15,500	---	
	5	009	009	009	009	009	9,000	9,000	9,000	9,000	9,000	9,500	9,500	9,500	9,500	9,500
		009	009	009	009	012	9,000	9,000	9,000	9,000	12,000	9,500	9,500	9,500	9,500	13,000
009		009	009	009	018	8,500	8,500	8,500	8,500	16,000	9,000	9,000	9,000	9,000	16,500	
009		009	009	009	024	7,750	7,750	7,750	7,750	19,500	8,000	8,000	8,000	8,000	20,000	
009		009	009	012	012	9,000	9,000	9,000	11,500	11,500	9,500	9,500	9,500	12,000	12,000	
009		009	009	012	018	8,000	8,000	8,000	11,000	16,000	8,500	8,500	8,500	11,500	16,500	
009		009	009	018	018	8,000	8,000	8,000	11,000	16,000	8,500	8,500	8,500	16,500	16,500	
009		009	012	012	012	8,500	8,500	11,000	11,000	11,000	9,000	9,000	12,000	12,000	12,000	
009		009	012	012	018	8,500	8,500	10,000	10,000	15,000	8,500	8,500	10,500	10,500	15,500	
009		012	012	012	012	8,000	11,000	11,000	11,000	11,000	8,500	11,500	11,500	11,500	11,500	
009		012	012	012	018	7,500	10,000	10,000	10,000	14,500	8,000	10,500	10,500	10,500	15,000	
012		012	012	012	012	10,500	10,500	10,500	10,500	10,500	11,000	11,000	11,000	11,000	11,000	

¹ One outdoor unit may be matched with one indoor unit for single zone applications. A second indoor unit can be added at a later date for multi-zone applications.

CONNECTIONS AND LINE SET USAGE

Outdoor Model	No. of Zones	Indoor Unit Capacity (Unit No.)	Line Set Required (Liquid x Gas)
MPB018S4M Indoor Unit A 1/4" liq + 3/8" gas Indoor Unit B 1/4" liq + 3/8" gas	1	012 (A)	¹ 1/4 in. x 1/2 in.
	2	009 (A)	1/4 in. x 3/8 in.
		009 (B)	1/4 in. x 3/8 in.
	2	009 (B)	1/4 in. x 3/8 in.
		012 (A)	¹ 1/4 in. x 1/2 in.
	2	012 (A)	¹ 1/4 in. x 1/2 in.
012 (B)		¹ 1/4 in. x 1/2 in.	
MPB030S4M Indoor Unit A 1/4" liq + 3/8" gas Indoor Unit B 1/4" liq + 3/8" gas Indoor Unit C 1/4" liq + 3/8" gas	1	018 (A)	¹ 1/4 in. x 1/2 in.
	2	009 (A)	1/4 in. x 3/8 in.
		009 (B)	1/4 in. x 3/8 in.
	2	009 (B)	1/4 in. x 3/8 in.
		012 (A)	¹ 1/4 in. x 1/2 in.
	2	009 (B)	1/4 in. x 3/8 in.
		018 (A)	¹ 1/4 in. x 1/2 in.
	2	012 (A)	¹ 1/4 in. x 1/2 in.
		012 (B)	¹ 1/4 in. x 1/2 in.
	2	012 (B)	¹ 1/4 in. x 1/2 in.
		018 (A)	¹ 1/4 in. x 1/2 in.
	3	018 (A)	¹ 1/4 in. x 1/2 in.
018 (B)		¹ 1/4 in. x 1/2 in.	
3	009 (A)	1/4 in. x 3/8 in.	
	009 (B)	1/4 in. x 3/8 in.	
	009 (C)	1/4 in. x 3/8 in.	
3	009 (B)	1/4 in. x 3/8 in.	
	009 (C)	1/4 in. x 3/8 in.	
	012 (A)	¹ 1/4 in. x 1/2 in.	
3	009 (C)	1/4 in. x 3/8 in.	
	012 (A)	¹ 1/4 in. x 1/2 in.	
	012 (B)	¹ 1/4 in. x 1/2 in.	
3	009 (B)	1/4 in. x 3/8 in.	
	009 (C)	1/4 in. x 3/8 in.	
	018 (A)	¹ 1/4 in. x 1/2 in.	
3	012 (A)	¹ 1/4 in. x 1/2 in.	
	012 (B)	¹ 1/4 in. x 1/2 in.	
	012 (C)	¹ 1/4 in. x 1/2 in.	
MPB036S4M Indoor Unit A 1/4" liq + 1/2" gas Indoor Unit B 1/4" liq + 3/8" gas Indoor Unit C 1/4" liq + 3/8" gas Indoor Unit D 1/4" liq + 3/8" gas	2	009 (B)	1/4 in. x 3/8 in.
		018 (A)	1/4 in. x 1/2 in.
	2	009 (B)	1/4 in. x 3/8 in.
		024 (A)	^{2,3} 3/8 in. x 5/8 in.
	2	012 (A)	1/4 in. x 1/2 in.
		012 (B)	¹ 1/4 in. x 1/2 in.
	2	012 (B)	¹ 1/4 in. x 1/2 in.
		018 (A)	1/4 in. x 1/2 in.
	2	012 (B)	¹ 1/4 in. x 1/2 in.
		024 (A)	^{2,3} 3/8 in. x 5/8 in.
	2	018 (A)	1/4 in. x 1/2 in.
		018 (B)	¹ 1/4 in. x 1/2 in.
3	009 (B)	1/4 in. x 3/8 in.	
	009 (C)	1/4 in. x 3/8 in.	
	009 (D)	1/4 in. x 3/8 in.	
3	009 (B)	1/4 in. x 3/8 in.	
	009 (C)	1/4 in. x 3/8 in.	
	012 (A)	1/4 in. x 1/2 in.	

¹ 3/8 x 1/2 in. gas pipe adaptor is required for line set connection to outdoor unit (furnished with outdoor unit).
² 1/4 x 3/8 in. liquid pipe adaptor is required for line set connection to the 048 outdoor unit (furnished with outdoor unit).
³ 1/2 x 5/8 in. gas pipe adaptor is required for line set connection to the 048 outdoor unit (furnished with outdoor unit).

NOTE – Due to Lennox' ongoing commitment to quality, Specifications, Ratings and Dimensions subject to change without notice and without incurring liability. Improper installation, adjustment, alteration, service or maintenance can cause property damage or personal injury. Installation and service must be performed by a qualified installer and servicing agency.

CONNECTIONS AND LINE SET USAGE

Outdoor Model	No. of Zones	Indoor Unit Capacity (Unit No.)	Line Set Required (Liquid x Gas)
MPB036S4M Indoor Unit A 1/4" liq + 1/2" gas Indoor Unit B 1/4" liq + 3/8" gas Indoor Unit C 1/4" liq + 3/8" gas Indoor Unit D 1/4" liq + 3/8" gas	3	009 (B)	1/4 in. x 3/8 in.
		009 (C)	1/4 in. x 3/8 in.
		012 (A)	1/4 in. x 1/2 in.
	3	009 (B)	1/4 in. x 3/8 in.
		009 (C)	1/4 in. x 3/8 in.
		018 (A)	1/4 in. x 1/2 in.
	3	009 (C)	1/4 in. x 3/8 in.
		012 (A)	1/4 in. x 1/2 in.
		012 (B)	¹ 1/4 in. x 1/2 in.
	3	009 (C)	1/4 in. x 3/8 in.
		018 (A)	1/4 in. x 1/2 in.
		018 (B)	¹ 1/4 in. x 1/2 in.
3	012 (A)	1/4 in. x 1/2 in.	
	012 (B)	¹ 1/4 in. x 1/2 in.	
	012 (C)	¹ 1/4 in. x 1/2 in.	
3	012 (C)	¹ 1/4 in. x 1/2 in.	
	012 (B)	¹ 1/4 in. x 1/2 in.	
	018 (A)	1/4 in. x 1/2 in.	
3	012 (C)	¹ 1/4 in. x 1/2 in.	
	018 (A)	1/4 in. x 1/2 in.	
	018 (B)	¹ 1/4 in. x 1/2 in.	
3	012 (C)	¹ 1/4 in. x 1/2 in.	
	012 (B)	¹ 1/4 in. x 1/2 in.	
	018 (A)	1/4 in. x 1/2 in.	
3	012 (C)	¹ 1/4 in. x 1/2 in.	
	012 (B)	¹ 1/4 in. x 1/2 in.	
	024 (A)	^{2,3} 3/8 in. x 5/8 in.	
4	009 (B)	1/4 in. x 3/8 in.	
	009 (C)	1/4 in. x 3/8 in.	
	009 (D)	1/4 in. x 3/8 in.	
4	009 (A)	¹ 1/4 in. x 3/8 in.	
	009 (B)	1/4 in. x 3/8 in.	
	009 (C)	1/4 in. x 3/8 in.	
4	009 (C)	1/4 in. x 3/8 in.	
	009 (D)	1/4 in. x 3/8 in.	
	018 (A)	1/4 in. x 1/2 in.	
4	009 (C)	1/4 in. x 3/8 in.	
	009 (D)	1/4 in. x 3/8 in.	
	012 (A)	1/4 in. x 1/2 in.	
4	012 (B)	¹ 1/4 in. x 1/2 in.	
	009 (C)	1/4 in. x 3/8 in.	
	009 (D)	1/4 in. x 3/8 in.	
4	012 (B)	¹ 1/4 in. x 1/2 in.	
	009 (D)	1/4 in. x 3/8 in.	
	018 (A)	1/4 in. x 1/2 in.	

¹ 3/8 x 1/2 in. gas pipe adaptor is required for line set connection to outdoor unit (furnished with outdoor unit).
² 1/4 x 3/8 in. liquid pipe adaptor is required for line set connection to the 048 outdoor unit (furnished with outdoor unit).
³ 1/2 x 5/8 in. gas pipe adaptor is required for line set connection to the 048 outdoor unit (furnished with outdoor unit).

CONNECTIONS AND LINE SET USAGE

Outdoor Model	No. of Zones	Indoor Unit Capacity (Unit No.)	Line Set Required (Liquid x Gas)	
MPB036S4M Indoor Unit A 1/4" liq + 1/2" gas	4	009 (D)	1/4 in. x 3/8 in.	
		012 (A)	1/4 in. x 1/2 in.	
		012 (B)	¹ 1/4 in. x 1/2 in.	
		012 (C)	¹ 1/4 in. x 1/2 in.	
Indoor Unit B 1/4" liq + 3/8" gas	4	012 (A)	1/4 in. x 1/2 in.	
		012 (B)	¹ 1/4 in. x 1/2 in.	
		012 (C)	¹ 1/4 in. x 1/2 in.	
		012 (D)	¹ 1/4 in. x 1/2 in.	
Indoor Unit D 1/4" liq + 3/8" gas	2	009 (B)	¹ 1/4 in. x 3/8 in.	
		024 (A)	^{2,3} 3/8 in. x 5/8 in.	
	2	012 (B)	1/4 in. x 1/2 in.	
		018 (A)	1/4 in. x 1/2 in.	
	2	012 (B)	1/4 in. x 1/2 in.	
		024 (A)	^{2,3} 3/8 in. x 5/8 in.	
	2	018 (A)	1/4 in. x 1/2 in.	
		018 (B)	1/4 in. x 1/2 in.	
	2	018 (B)	1/4 in. x 1/2 in.	
		024 (A)	^{2,3} 3/8 in. x 5/8 in.	
	2	024 (A)	^{2,3} 3/8 in. x 5/8 in.	
		024 (B)	^{2,3} 3/8 in. x 5/8 in.	
MPB048S4M Indoor Unit A 1/4" liq + 1/2" gas	3	009 (A)	¹ 1/4 in. x 3/8 in.	
		009 (B)	¹ 1/4 in. x 3/8 in.	
		009 (C)	1/4 in. x 3/8 in.	
	Indoor Unit B 1/4" liq + 1/2" gas	3	009 (B)	¹ 1/4 in. x 3/8 in.
			009 (C)	1/4 in. x 3/8 in.
			012 (A)	1/4 in. x 1/2 in.
	Indoor Unit C 1/4" liq + 3/8" gas	3	009 (B)	¹ 1/4 in. x 3/8 in.
			009 (C)	1/4 in. x 3/8 in.
			018 (A)	1/4 in. x 1/2 in.
	Indoor Unit D 1/4" liq + 3/8" gas	3	009 (B)	¹ 1/4 in. x 3/8 in.
			009 (C)	1/4 in. x 3/8 in.
			024 (A)	^{2,3} 3/8 in. x 5/8 in.
Indoor Unit E 1/4" liq + 3/8" gas	3	009 (C)	1/4 in. x 3/8 in.	
		024 (A)	^{2,3} 3/8 in. x 5/8 in.	
		012 (A)	1/4 in. x 1/2 in.	
Indoor Unit E 1/4" liq + 3/8" gas	3	009 (C)	1/4 in. x 3/8 in.	
		012 (B)	1/4 in. x 1/2 in.	
		024 (A)	^{2,3} 3/8 in. x 5/8 in.	
Indoor Unit E 1/4" liq + 3/8" gas	3	009 (C)	1/4 in. x 3/8 in.	
		018 (A)	1/4 in. x 1/2 in.	
		018 (B)	1/4 in. x 1/2 in.	

¹ 3/8 x 1/2 in. gas pipe adaptor is required for line set connection to outdoor unit (furnished with outdoor unit).

² 1/4 x 3/8 in. liquid pipe adaptor is required for line set connection to the 048 outdoor unit (furnished with outdoor unit).

³ 1/2 x 5/8 in. gas pipe adaptor is required for line set connection to the 048 outdoor unit (furnished with outdoor unit).

CONNECTIONS AND LINE SET USAGE

Outdoor Model	No. of Zones	Indoor Unit Capacity (Unit No.)	Line Set Required (Liquid x Gas)	
MPB048S4M Indoor Unit A 1/4" liq + 1/2" gas	3	009 (C)	1/4 in. x 3/8 in.	
		018 (B)	1/4 in. x 1/2 in.	
		024 (A)	^{2,3} 3/8 in. x 5/8 in.	
	Indoor Unit B 1/4" liq + 1/2" gas	3	009 (C)	1/4 in. x 3/8 in.
			024 (A)	^{2,3} 3/8 in. x 5/8 in.
			024 (B)	^{2,3} 3/8 in. x 5/8 in.
	Indoor Unit C 1/4" liq + 3/8" gas	3	012 (A)	1/4 in. x 1/2 in.
			012 (B)	1/4 in. x 1/2 in.
			012 (C)	¹ 1/4 in. x 1/2 in.
	Indoor Unit D 1/4" liq + 3/8" gas	3	012 (B)	1/4 in. x 1/2 in.
			012 (C)	1/4 in. x 1/2 in.
			018 (A)	1/4 in. x 1/2 in.
Indoor Unit E 1/4" liq + 3/8" gas	3	012 (B)	1/4 in. x 1/2 in.	
		012 (C)	¹ 1/4 in. x 1/2 in.	
		024 (A)	^{2,3} 3/8 in. x 5/8 in.	
Indoor Unit E 1/4" liq + 3/8" gas	3	012 (B)	1/4 in. x 1/2 in.	
		018 (C)	¹ 1/4 in. x 1/2 in.	
		024 (A)	^{2,3} 3/8 in. x 5/8 in.	
Indoor Unit E 1/4" liq + 3/8" gas	3	018 (A)	1/4 in. x 1/2 in.	
		018 (B)	1/4 in. x 1/2 in.	
		018 (C)	¹ 1/4 in. x 1/2 in.	
Indoor Unit E 1/4" liq + 3/8" gas	3	018 (B)	1/4 in. x 1/2 in.	
		018 (C)	¹ 1/4 in. x 1/2 in.	
		024 (A)	^{2,3} 3/8 in. x 5/8 in.	
Indoor Unit E 1/4" liq + 3/8" gas	4	009 (A)	¹ 1/4 in. x 3/8 in.	
		009 (B)	¹ 1/4 in. x 3/8 in.	
		009 (C)	1/4 in. x 3/8 in.	
Indoor Unit E 1/4" liq + 3/8" gas	4	009 (D)	1/4 in. x 3/8 in.	
		009 (B)	¹ 1/4 in. x 3/8 in.	
		009 (C)	1/4 in. x 3/8 in.	
Indoor Unit E 1/4" liq + 3/8" gas	4	009 (D)	1/4 in. x 3/8 in.	
		012 (A)	1/4 in. x 1/2 in.	
		009 (B)	¹ 1/4 in. x 3/8 in.	
Indoor Unit E 1/4" liq + 3/8" gas	4	009 (C)	1/4 in. x 3/8 in.	
		009 (D)	1/4 in. x 3/8 in.	
		018 (A)	1/4 in. x 1/2 in.	

¹ 3/8 x 1/2 in. gas pipe adaptor is required for line set connection to outdoor unit (furnished with outdoor unit).

² 1/4 x 3/8 in. liquid pipe adaptor is required for line set connection to the 048 outdoor unit (furnished with outdoor unit).

³ 1/2 x 5/8 in. gas pipe adaptor is required for line set connection to the 048 outdoor unit (furnished with outdoor unit).

NOTE – Due to Lennox' ongoing commitment to quality, Specifications, Ratings and Dimensions subject to change without notice and without incurring liability.

Improper installation, adjustment, alteration, service or maintenance can cause property damage or personal injury.

Installation and service must be performed by a qualified installer and servicing agency.

CONNECTIONS AND LINE SET USAGE

Outdoor Model	No. of Zones	Indoor Unit Capacity (Unit No.)	Line Set Required (Liquid x Gas)
MPB048S4M Indoor Unit A 1/4" liq + 1/2" gas Indoor Unit B 1/4" liq + 1/2" gas Indoor Unit C 1/4" liq + 3/8" gas Indoor Unit D 1/4" liq + 3/8" gas Indoor Unit E 1/4" liq + 3/8" gas	4	009 (B)	¹ 1/4 in. x 3/8 in.
		009 (C)	1/4 in. x 3/8 in.
		009 (D)	1/4 in. x 3/8 in.
		024 (A)	^{2,3} 3/8 in. x 5/8 in.
	4	009 (C)	1/4 in. x 3/8 in.
		009 (D)	1/4 in. x 3/8 in.
		012 (A) 012 (B)	1/4 in. x 1/2 in. 1/4 in. x 1/2 in.
	4	009 (C)	1/4 in. x 3/8 in.
		009 (D)	1/4 in. x 3/8 in.
		012 (B) 018 (A)	1/4 in. x 1/2 in. 1/4 in. x 1/2 in.
	4	009 (C)	1/4 in. x 3/8 in.
		009 (D)	1/4 in. x 3/8 in.
		018 (A) 018 (B)	1/4 in. x 1/2 in. 1/4 in. x 1/2 in.
	4	009 (C)	1/4 in. x 3/8 in.
		009 (D)	1/4 in. x 3/8 in.
		018 (B) 024 (A)	1/4 in. x 1/2 in. ^{2,3} 3/8 in. x 5/8 in.
4	009 (D)	1/4 in. x 3/8 in.	
	012 (A)	¹ 1/4 in. x 1/2 in.	
	012 (B)	¹ 1/4 in. x 1/2 in.	
4	009 (D)	1/4 in. x 3/8 in.	
	012 (C)	¹ 1/4 in. x 1/2 in.	
	018 (A)	1/4 in. x 1/2 in.	
4	009 (D)	1/4 in. x 3/8 in.	
	012 (C)	¹ 1/4 in. x 1/2 in.	
	018 (A) 018 (B)	1/4 in. x 1/2 in. 1/4 in. x 1/2 in.	
4	012 (A)	1/4 in. x 1/2 in.	
	012 (B)	1/4 in. x 1/2 in.	
	012 (C)	¹ 1/4 in. x 1/2 in.	
4	012 (D)	¹ 1/4 in. x 1/2 in.	
	012 (B)	1/4 in. x 1/2 in.	
	012 (C)	¹ 1/4 in. x 1/2 in.	
4	012 (D)	¹ 1/4 in. x 1/2 in.	
	018 (A)	1/4 in. x 1/2 in.	
	018 (A)	1/4 in. x 1/2 in.	
5	009 (A)	¹ 1/4 in. x 3/8 in.	
	009 (B)	¹ 1/4 in. x 3/8 in.	
	009 (C)	1/4 in. x 3/8 in.	
	009 (D)	1/4 in. x 3/8 in.	
	009 (E)	1/4 in. x 3/8 in.	

¹ 3/8 x 1/2 in. gas pipe adaptor is required for line set connection to outdoor unit (furnished with outdoor unit).

² 1/4 x 3/8 in. liquid pipe adaptor is required for line set connection to the 048 outdoor unit (furnished with outdoor unit).

³ 1/2 x 5/8 in. gas pipe adaptor is required for line set connection to the 048 outdoor unit (furnished with outdoor unit).

CONNECTIONS AND LINE SET USAGE

Outdoor Model	No. of Zones	Indoor Unit Capacity (Unit No.)	Line Set Required (Liquid x Gas)
MPB048S4M Indoor Unit A 1/4" liq + 1/2" gas Indoor Unit B 1/4" liq + 1/2" gas Indoor Unit C 1/4" liq + 3/8" gas Indoor Unit D 1/4" liq + 3/8" gas Indoor Unit E 1/4" liq + 3/8" gas	5	009 (B)	¹ 1/4 in. x 3/8 in.
		009 (C)	1/4 in. x 3/8 in.
		009 (D)	1/4 in. x 3/8 in.
		009 (E)	1/4 in. x 3/8 in.
		012 (A)	1/4 in. x 1/2 in.
	5	009 (B)	¹ 1/4 in. x 3/8 in.
		009 (C)	1/4 in. x 3/8 in.
		009 (D)	1/4 in. x 3/8 in.
	5	009 (E)	1/4 in. x 3/8 in.
		018 (A)	1/4 in. x 1/2 in.
		009 (B)	¹ 1/4 in. x 3/8 in.
	5	009 (C)	1/4 in. x 3/8 in.
		009 (D)	1/4 in. x 3/8 in.
		009 (E)	1/4 in. x 3/8 in.
	5	024 (A)	^{2,3} 3/8 in. x 5/8 in.
		009 (C)	1/4 in. x 3/8 in.
009 (D)		1/4 in. x 3/8 in.	
5	009 (E)	1/4 in. x 3/8 in.	
	012 (A)	1/4 in. x 1/2 in.	
	012 (B)	1/4 in. x 1/2 in.	
5	009 (C)	1/4 in. x 3/8 in.	
	009 (D)	1/4 in. x 3/8 in.	
	009 (E)	1/4 in. x 3/8 in.	
5	012 (B)	1/4 in. x 1/2 in.	
	012 (C)	1/4 in. x 1/2 in.	
	018 (A)	1/4 in. x 1/2 in.	
5	009 (D)	1/4 in. x 3/8 in.	
	009 (E)	1/4 in. x 3/8 in.	
	012 (A)	1/4 in. x 1/2 in.	
5	012 (B)	1/4 in. x 1/2 in.	
	012 (C)	¹ 1/4 in. x 1/2 in.	
	018 (A)	1/4 in. x 1/2 in.	
5	009 (E)	1/4 in. x 3/8 in.	
	012 (A)	1/4 in. x 1/2 in.	
	012 (B)	1/4 in. x 1/2 in.	
5	012 (C)	¹ 1/4 in. x 1/2 in.	
	012 (D)	¹ 1/4 in. x 1/2 in.	
	012 (A)	1/4 in. x 1/2 in.	
5	012 (B)	1/4 in. x 1/2 in.	
	012 (C)	¹ 1/4 in. x 1/2 in.	
	012 (D)	¹ 1/4 in. x 1/2 in.	
5	012 (E)	¹ 1/4 in. x 1/2 in.	
	012 (A)	1/4 in. x 1/2 in.	
	012 (B)	1/4 in. x 1/2 in.	
5	012 (C)	¹ 1/4 in. x 1/2 in.	
	012 (D)	¹ 1/4 in. x 1/2 in.	
	012 (E)	¹ 1/4 in. x 1/2 in.	

¹ 3/8 x 1/2 in. gas pipe adaptor is required for line set connection to outdoor unit (furnished with outdoor unit).

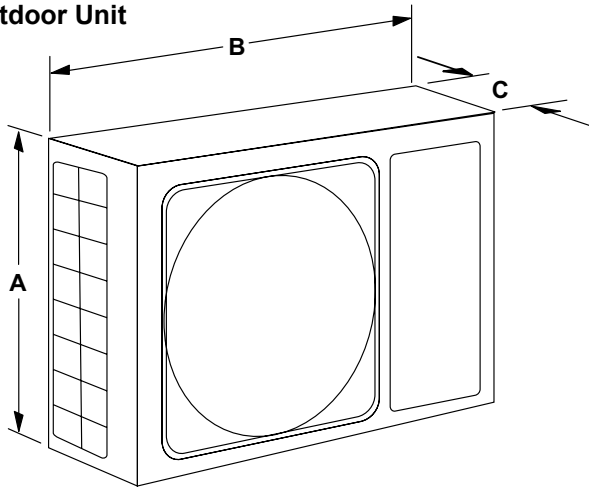
² 1/4 x 3/8 in. liquid pipe adaptor is required for line set connection to the 048 outdoor unit (furnished with outdoor unit).

³ 1/2 x 5/8 in. gas pipe adaptor is required for line set connection to the 048 outdoor unit (furnished with outdoor unit).

NOTE – Due to Lennox' ongoing commitment to quality, Specifications, Ratings and Dimensions subject to change without notice and without incurring liability. Improper installation, adjustment, alteration, service or maintenance can cause property damage or personal injury. Installation and service must be performed by a qualified installer and servicing agency.

DIMENSIONS

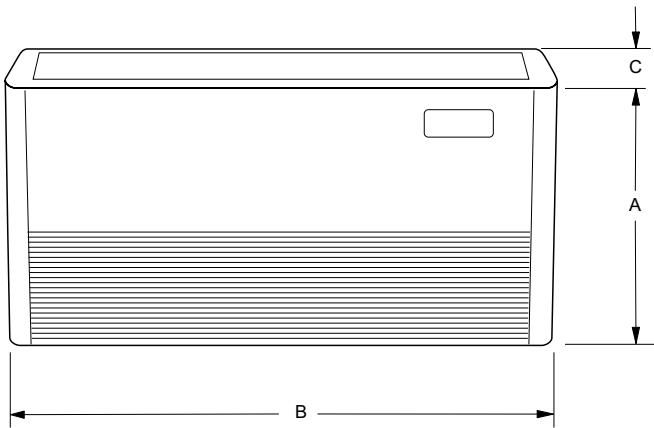
Outdoor Unit



Model No.	A		B		C	
	in.	mm	in.	mm	in.	mm
MPB018S4M	27-5/8	702	36	914	15	381
MPB030S4M, MPB036S4M	31-7/8	810	40-5/8	1032	17-7/8	454
MPB048S4M	52-1/2	1334	41-3/4	1060	16-3/8	416

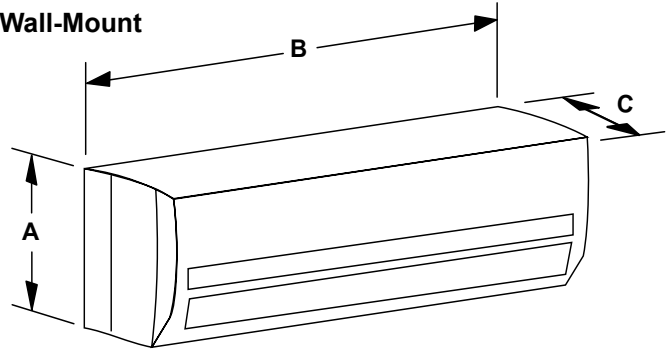
NOTE - MPB048 has two fans.

Ceiling/Floor



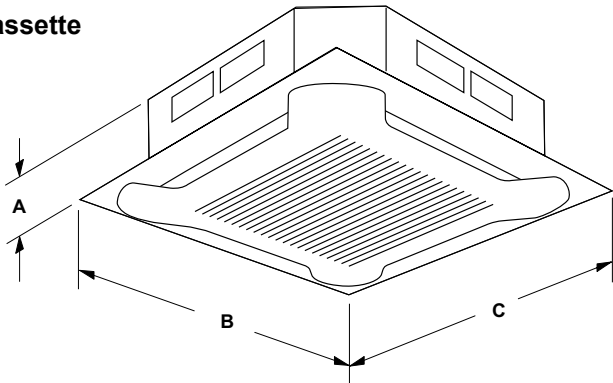
Model No.	A		B		C	
	in.	mm	in.	mm	in.	mm
MCFB018S4	26-5/8	676	42	1067	9-1/4	235
MCFA024S4	26-5/8	676	42-1/8	1070	9-1/4	235

Wall-Mount



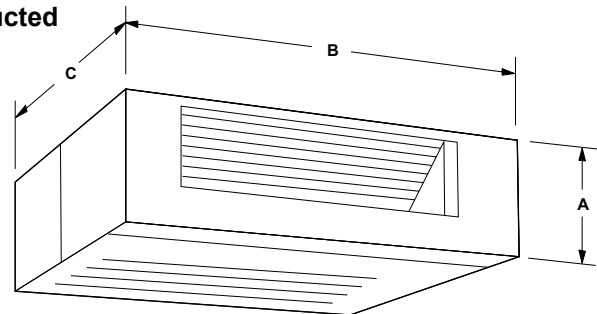
Model No.	A		B		C	
	in.	mm	in.	mm	in.	mm
MWMA009S4, MWMA012S4	11	279	32-7/8	835	7-7/8	200
MWMA018S4	12-3/8	314	39	991	8-5/8	219
MWMA024S4	13-1/2	343	46-3/4	1187	10-1/4	260

Cassette



Model No.	A		B		C	
	in.	mm	in.	mm	in.	mm
M22A009S4, M22A012S4, M22A018S4	10-3/8	264	25-1/2	648	25-1/2	648
M33A024S4	8-1/8	206	37-3/8	949	37-3/8	949

Ducted



Model No.	A		B		C	
	in.	mm	in.	mm	in.	mm
MMDB009S4, MMDB012S4	7-7/8	200	30-3/4	781	19-7/8	505
MMDB018S4	8-1/4	210	37-7/8	962	26-1/2	673
MMDB024S4	9-3/4	248	46-1/2	1181	30-1/2	775

NOTE - Due to Lennox' ongoing commitment to quality, Specifications, Ratings and Dimensions subject to change without notice and without incurring liability. Improper installation, adjustment, alteration, service or maintenance can cause property damage or personal injury. Installation and service must be performed by a qualified installer and servicing agency.



PRODUCT CATALOG

**Single-Zone Heat Pump System - R-410A
SEER - Up to 24.50
HSPF - Up to 11.5**

Page 15

April 2019

Supersedes February 2019

FEATURES

OUTDOOR UNITS

Compressor

Variable frequency rotary compressor

Compressor crankcase heater

Controls

DC inverter control

Outdoor unit microprocessor

Electronic expansion valve

Compressor overcurrent protection

Condenser high temperature protection

High pressure discharge temperature protection

Intelligent Power Module (IPM) Protection

Low and high voltage protection

Terminal strip

Defrost control

Reversing valve

Outdoor Unit Cabinet

Heavy gauge steel

Condensate drain outlets

Pan heater

Access cover for power and control wiring

Access cover for service valves

INDOOR UNITS

Wall-Mount

Cassette

Ceiling/Floor Mount

Medium Static Ducted

Blower

Multi-speed fan

Filter

Cleanable filter

Controls

Indoor unit microprocessor

LED Readout

Auto restart

Cooling override

Terminal strip

Indoor coil freeze protection



Time delay

Auto operation

Condensate Pump

Furnished with Cassette and Ducted models

CONTROLS (FURNISHED)

Wireless Remote Control -

Furnished with Wall-Mounted Indoor Units, Cassette Indoor Units and Ceiling/Floor Indoor Units

Wired Remote Control - Furnished with Ducted Indoor Units

NOTE - As an option, a wired control can be ordered for a wall-mount, cassette or ceiling/floor mount unit if desired.

LIMITED WARRANTY

Compressor - seven years

All covered components - five years

Refer to Lennox Equipment Limited Warranty certificate included with equipment for details

DIMENSIONS

See page 24

ACCESSORIES

See page 22

Outdoor Unit

- Condenser Pad
- Disconnect
- Fuses
- Line Sets
- Wall Brackets
- Whips

Indoor Unit

- Condensate Pump
- Drain Line
- Indoor/Outdoor Wiring Cable

Installation Accessories

- Speedichannel™ System

NOTE - Due to Lennox' ongoing commitment to quality, Specifications, Ratings and Dimensions subject to change without notice and without incurring liability. Improper installation, adjustment, alteration, service or maintenance can cause property damage or personal injury. Installation and service must be performed by a qualified installer and servicing agency.

SPECIFICATIONS - MPB OUTDOOR UNITS		0.75 - 1.5 TON		
Nominal Size - Tons		0.75	1	1.5
Outdoor Unit Model No.		MPB009S4S	MPB012S4S	MPB018S4S
Ambient Temperature Operating Range - °F	Cooling	-13 - 122	-13 - 122	-13 - 122
	Heating	-13 - 86	-13 - 86	-13 - 86
Energy Star		Yes	Yes	Yes
Sound Data (dBA)	Cooling/Heating (115V)	52.5	52.5	---
	Cooling/Heating (208/230V)	55	55	60
Refrigerant (R-410A)	Charge furnished (115V)	2 lbs. 12 oz.	2 lbs. 12 oz.	---
	Charge furnished (208/230V)	2 lbs. 7 oz.	2 lbs. 9 oz.	4 lbs. 5 oz.
Maximum line length with furnished charge - ft.		25	25	25
Additional charge required per ft. - oz.		0.16	0.16	0.16
Compressor	No. and Type	(1) Rotary	(1) Rotary	(1) Rotary
	Refrigerant oil type	Ester Oil VG74	Ester Oil VG74	Ester Oil VG74
	Refrigerant oil charge - oz.	12.5	12.5	15.2
Connections - in.	Liquid/Gas pipe (flare)	1/4 / 3/8	1/4 / 1/2	1/4 / 1/2
	Maximum refrigerant pipe length - ft.	82	82	98
	Max. difference in level of indoor unit - ft.	33	33	66
Outdoor Fan	(No.) Diameter - in.	(1) 17	(1) 17	(1) 19
	Total air volume - cfm	1200	1200	1470
	rpm	800/750/650	800/700/650	850/750/700
Outdoor Coil	Number of rows	2	2	2
	Fins per inch	21 (115V) 18 (208/230V)	21	18
	Fin type	Hydrophilic aluminium		
	Tube outside diameter - in.	5/16	5/16	5/16
	Tube type	Rifled copper tubing		
	Net face area - ft. ² (115V)	4.66	4.66	---
	Net face area - ft. ² (208/230V)	4.09	4.66	5.19
Application area - sq. ft.		130 - 195	170 - 250	260 - 375
Design Pressure	PSIG	550/340	550/340	550/340
Shipping Data	Net/Shipping weight (lbs.) (115V)	80 / 86	80 / 86	---
	(208/230V)	62 / 67	77 / 83	107 / 113

ELECTRICAL DATA						
Electrical Characteristics - 60 Hz - 1 Phase		115V	208/230V	115V	208/230V	208/230V
¹ Maximum Overcurrent Protection (amps)		20	15	20	15	20
² Minimum circuit ampacity		15	10	15	12	15
Compressor Rated load amps		9	5.5	9	6.8	10.5
Outdoor Fan Motor	Rated load amps	0.6	0.4	0.6	0.4	0.6
	Output - W	40	40	40	40	50

NOTE - Extremes of operating range are plus and minus 10% of line voltage.

¹ HACR type circuit breaker or fuse.

² Refer to National or Canadian Electrical Code manual to determine wire, fuse and disconnect size requirements.



NOTE - Due to Lennox' ongoing commitment to quality, Specifications, Ratings and Dimensions subject to change without notice and without incurring liability. Improper installation, adjustment, alteration, service or maintenance can cause property damage or personal injury. Installation and service must be performed by a qualified installer and servicing agency.


SPECIFICATIONS - MPB OUTDOOR UNITS		2 - 4 TON			
Nominal Size - Tons		2	2.5	3	4
Outdoor Unit Model No.		MPB024S4S	MPB030S4S	MPB036S4S	MPB048S4S
Ambient Temperature Operating Range - °F	Cooling	-13 - 122	-13 - 122	-13 - 122	-13 - 122
	Heating	-13 - 86	-13 - 86	-13 - 86	-13 - 86
Energy Star		Yes	No	No	No
Sound Data (dBA)	Cooling/Heating	61	59	66	62.5
Refrigerant (R-410A)	Charge furnished	5 lbs. 3 oz.	5 lbs. 11 oz.	6 lbs. 12 oz.	9 lbs. 4 oz.
	Maximum line length with furnished charge - ft.	25	25	25	25
	Additional charge required per ft. - oz.	0.32	0.32	0.32	0.32
Compressor	No. and Type	(1) Rotary	(1) Rotary	Twin-Rotary	Twin-Rotary
	Refrigerant oil type	POE Oil VG74	POE Oil VG74	POE Oil VG74	Ester Oil VG74
	Refrigerant oil charge - oz.	22.7	22.7	33.8	47.3
Connections - in.	Liquid/Gas pipe (flare)	3/8 / 5/8	3/8 / 5/8	3/8 / 5/8	3/8 / 5/8
	Maximum refrigerant pipe length - ft.	164	164	213	213
	Max. difference in level of indoor unit - ft.	82	82	98	98
Outdoor Fan(s)	(No.) Diameter - in.	(1) 20	(1) 20	(1) 20	(2) 22
	Total air volume - cfm	2235	2130	2530	4470
	rpm	810/700/500	810/700/500	950	(2) 900
Outdoor Coil	Number of rows	2.6	2.6	2	2
	Fins per inch	18	18	19	18
	Fin type	Hydrophilic aluminium			
	Tube outside diameter - in.	5/16	5/16	3/8	3/8
	Tube type	Rifled copper tubing			
	Net face area - ft. ²	8.24	8.24	8.24	6.43 (inner coil) / 6.97 (outer coil)
	Application area - sq. ft.	345 - 505	430 - 630	515 - 755	690 - 1010
Design Pressure	PSIG	550/340	550/340	550/340	550/340
Shipping Data	Net/Shipping weight (lbs.)	137 / 149	149 / 161	149 / 161	218 / 246
ELECTRICAL DATA					
Electrical Characteristics - 60 Hz - 1 Phase		208/230V	208/230V	208/230V	208/230V
¹ Maximum Overcurrent Protection (amps)		25	30	50	50
² Minimum circuit ampacity		18	20	30	35
Compressor Rated load amps		12	15	22	23.5
Outdoor Fan Motor	Rated load amps	0.6	0.6	1.0	(2) 0.39
	Output - W	120	120	120	(2) 85

NOTE - Extremes of operating range are plus and minus 10% of line voltage.

¹ HACR type circuit breaker or fuse.


² Refer to National or Canadian Electrical Code manual to determine wire, fuse and disconnect size requirements.

SPECIFICATIONS - WALL-MOUNTED INDOOR UNITS

		Model No.	MWMB009S4	MWMA009S4	MWMB012S4	MWMA012S4
						
	Nominal Tons		0.75	0.75	1	1
Power Supply - 60 hz - 1 phase		115V	208/230V	115V	208/230V	
	Rated load amps	0.25	0.06	0.25	0.06	
	Output (W)	20	20	20	20	
Room Temperature Range (°F)	Cooling	62 - 90	62 - 90	62 - 90	62 - 90	
	Heating	32 - 86	32 - 86	32 - 86	32 - 86	
Air Volume - cfm (High/Medium/Low)			365/265/195	370/270/195	365/265/195	370/275/200
Sound Data (dBA) - Low/Medium/High			24/33/42	26.5/33.4/41.7	24/33/42	28.6/35.8/45.1
Piping Connections - Liquid/Gas - o.d. - flare - in.			1/4 / 3/8	1/4 / 3/8	1/4 / 1/2	1/4 / 1/2
Drain connection o.d. - in.			1	1	1	1
Net/Shipping weights - lbs.			20 / 26	20 / 26	20 / 26	20 / 27

SPECIFICATIONS - WALL-MOUNTED INDOOR UNITS

		Model No.	MWMA018S4	MWMA024S4	MWMB030S4
Nominal Tons			1.5	2	2.5
Power Supply - 60 hz - 1 phase		208/230V	208/230V	208/230V	
	Rated load amps	0.13	0.3	0.5	
	Output (W)	58	60	60	
Room Temperature Range (°F)	Cooling	62 - 90	62 - 90	62 - 90	
	Heating	32 - 86	32 - 86	32 - 86	
Air Volume - cfm (High/Medium/Low)			530/410/295	695/625/485	795/645/500
Sound Data (dBA) - Low/Medium/High			30.9/36.3/46.2	35.1/44.5/51.7	37.5/42/49
Piping Connections - Liquid/Gas - o.d. - flare - in.			1/4 / 1/2	3/8 / 5/8	3/8 / 5/8
Drain connection o.d. - in.			1	1	1
Net/Shipping weights - lbs.			27 / 35	40 / 54	40 / 51

SPECIFICATIONS - CASSETTE INDOOR UNITS


Model No.		M22A009S4	M22A012S4	M22A018S4
Nominal Tons		0.75	1	1.5
Power Supply - 60 hz - 1 phase		208/230V	208/230V	208/230V
Rated load amps		0.9	1.0	1.5
Output (W)		46	46	46
Room Temperature Range (°F)	Cooling	62 - 90	62 - 90	62 - 90
	Heating	32 - 86	32 - 86	32 - 86
Air Volume - cfm (High/Medium/Low)		375/300/255	380/310/260	560/485/415
Sound Data (dBA) - Low/Medium/High		33/37/41	36/39/43	36/39/44
Piping Connections - Liquid/Gas - o.d. - flare - in.		1/4 / 3/8	1/4 / 1/2	1/4 / 1/2
Drain connection o.d. - in.		1	1	1
Net/Shipping weights - lbs.	Body	32 / 38	36 / 41	36 / 42

REQUIRED COMPONENTS - ORDERED SEPARATELY

Cassette Panel	13X04 (M0STAT62Q-1)	13X04 (M0STAT62Q-1)	13X04 (M0STAT62Q-1)
Net/Shipping weights - lbs.	6 / 10	6 / 10	6 / 10


SPECIFICATIONS - CASSETTE INDOOR UNITS

Model No.		M33A024S4	M33A036S4	M33B048S4
Nominal Tons		2	3	4
Power Supply - 60 hz - 1 phase		208/230V	208/230V	208/230V
Rated load amps		2.0	1.5	1.6
Output (W)		42	124	170
Room Temperature Range (°F)	Cooling	62 - 90	62 - 90	62 - 90
	Heating	32 - 86	32 - 86	32 - 86
Air Volume - cfm (High/Medium/Low)		700/635/575	1095/960/810	1175/1030/855
Sound Data (dBA) - Low/Medium/High		43/47/51	49/52/55	49/52/55
Piping Connections - Liquid/Gas - o.d. - flare - in.		3/8 / 5/8	3/8 / 5/8	3/8 / 5/8
Drain connection o.d. - in.		1-1/4	1-1/4	1-1/4
Net/Shipping weights - lbs.	Body	47 / 55	58 / 66	64 / 73

REQUIRED COMPONENTS - ORDERED SEPARATELY

Cassette Panel	13X05 (M0STAT63Q-1)	13X05 (M0STAT63Q-1)	13X05 (M0STAT63Q-1)
Net/Shipping weights - lbs.	12 / 18	12 / 18	12 / 18

SPECIFICATIONS - CEILING/FLOOR MOUNT INDOOR UNITS

		Model No.	MCFB018S4	MCFA024S4	MCFA036S4	MCFA048S4
Nominal Tons			1.5	2	3	4
Power Supply - 60 hz - 1 phase			208/230V	208/230V	208/230V	208/230V
Rated load amps			1.5	2	1.5	1.8
Output (W)			55	55	115	(2) 90
Room Temperature Range (°F)	Cooling		62 - 90	62 - 90	62 - 90	62 - 90
	Heating		32 - 86	32 - 86	32 - 86	32 - 86
Air Volume - cfm (High/Medium/Low)			580/520/465	760/710/600	1035/915/640	1350/1120/1000
Sound Data (dBA) - Low/Medium/High			39/44/47	42/48/53	43/49/54	52/54/57
Piping Connections - Liquid/Gas - o.d. - flare - in.			1/4 / 1/2	3/8 / 5/8	3/8 / 5/8	3/8 / 5/8
Drain connection o.d. - in.			1	1	1	1
Net/Shipping weights - lbs.			55 / 66	59 / 70	69 / 82	84 / 97

NOTE – Due to Lennox' ongoing commitment to quality, Specifications, Ratings and Dimensions subject to change without notice and without incurring liability. Improper installation, adjustment, alteration, service or maintenance can cause property damage or personal injury. Installation and service must be performed by a qualified installer and servicing agency.

SPECIFICATIONS - MEDIUM STATIC DUCTED INDOOR UNITS

Model No.	MMDB009S4	MMDB012S4	MMDB018S4
Nominal Tons	0.75	1	1.5
Power Supply - 60 hz - 1 phase	208/230V	208/230V	208/230V
Rated load amps	1.11	1.11	1.2
Output (W)	55	55	160
Room Temperature Range (°F)	Cooling	62 - 90	62 - 90
	Heating	32 - 86	32 - 86
Air Volume - cfm (High/Medium/Low)	355/285/175	355/285/175	530/450/370
External Static Pressure (in. w.g)	0 - 0.16	0 - 0.16	0 - 0.40
Sound Data (dBA) - Low/Medium/High	25/32/38	26/33.5/38	35/37/39
Piping Connections - Liquid/Gas - o.d. - flare - in.	1/4 / 3/8	1/4 / 1/2	1/4 / 1/2
Drain connection o.d. - in.	1	1	1
Net/Shipping weights - lbs.	38 / 49	38 / 49	54 / 66

SPECIFICATIONS - MEDIUM STATIC DUCTED INDOOR UNITS

Model No.	MMDB024S4	MMDB036S4	MMDB048S4
Nominal Tons	2	3	4
Power Supply - 60 hz - 1 phase	208/230V	208/230V	208/230V
Rated load amps	1.5	1.6	2
Output (W)	160	300	560
Room Temperature Range (°F)	Cooling	62 - 90	62 - 90
	Heating	32 - 86	32 - 86
Air Volume - cfm (High/Medium/Low)	775/695/435	1080/910/705	1230/1030/715
External Static Pressure (in. w.g)	0 - 0.64	0 - 0.64	0 - 0.64
Sound Data (dBA) - Low/Medium/High	36/41/44	39/42.5/45.5	46/48.5/50.5
Piping Connections - Liquid/Gas - o.d. - flare - in.	3/8 / 5/8	3/8 / 5/8	3/8 / 5/8
Drain connection o.d. - in.	1	1	1
Net/Shipping weights - lbs.	87 / 103	106 / 122	120 / 142

OPTIONAL ACCESSORIES - ORDER SEPARATELY

Description	Catalog No.	Size						
		09	12	18	24	30	36	48
OUTDOOR UNIT								
Condenser Pad (18 x 38 x 3)	Y5014	•	•	•	•	•	•	•
Disconnects	30 amp, fused, 1 ph	27P37	•	•	•	•	•	•
	60 amp, non-fused, 1 ph	27P39	•	•	•	•	•	•
Fuses	30A	83P75	•	•	•	•	•	•
	60A	83P77	•	•	•	•	•	•
Hail Guards (for "09" 115V and all "12" models only) M9GARD14Q-1 (for "09" 208/230V model only) M9GARD19Q-1	M9GARD15Q-1	15D25	•	•	N/A			
	M9GARD17Q-1	15D32	•	N/A				
	M9GARD18Q-1	15D26	N/A	•	N/A			
	M9GARD17Q-1	15D28	N/A	N/A	•	•	•	N/A
	M9GARD18Q-1	15D29	N/A					•
Line Sets	1/4 in. x 3/8 in. x 25 ft.	90X53	•	N/A				
	1/4 in. x 3/8 in. x 50 ft.	X0258	•	N/A				
	1/4 in. x 1/2 in. x 25 ft.	90X52	N/A	•	•	N/A		
	1/4 in. x 1/2 in. x 50 ft.	X0259	N/A	•	•	N/A		
	3/8 in. x 5/8 in. x 25 ft.	X8406	N/A		•	•	•	•
	3/8 in. x 5/8 in. x 50 ft.	X8407	N/A		•	•	•	•
Wall Brackets	30 inch	X1727	•	•	•	N/A		
	36 inch	X1728	N/A				•	•
Whips	10 Gauge - 1/2 in. x 6 ft.	29P54	•	•	•	•	•	•
	8 Gauge - 3/4 in. x 6 ft.	27P44	•	•	•	•	•	•
INDOOR UNIT								
¹ Diversitech ClearVue Mini™ - 7.9 US gallons per hour, 35 ft. lift - 120/240V Condensate Pumps with Reservoir	Mini-Split Pump - 4 US gallons per hour, 20 ft. lift - 115V	Y5170	•	•	•	•	•	•
	Mini-Split Pump - 4 US gallons per hour, 20 ft. lift - 230V	Y7946	•	•	N/A			
		Y7949	•	•	•	•	•	•
¹ Blue Diamond® MicroBlue® - 1.3 US gallons per hour, 6 ft. lift - 110v-230V Condensate Pumps with Reservoir	MaxiBlue® - 3.7 US gallons per hour, 16.5 ft. lift - 208-230V	14T74	•	•	•	N/A		
	MegaBlue® - 13.2 US gallons per hour, 23 ft. lift - 110v-230V	14T69	N/A		•	•	•	N/A
	MultiTank Kit	14T71	N/A					•
	Sensor Cable Extension - 16 ft.	14T75	N/A		•	•	•	•
		14T76	•	•	•	•	•	•
A/C Easy Tee® Condensate Cleanout	Y7947	•	•	•	•	•	•	•
CONTROLS								
Wired Remote Controller (Furnished With All Ducted Models) M0STAT61Q-1	14A66	•	•	•	•	•	•	•
Extension Cable for Wired Remote Controller - 20 ft.	Y8008	•	•	•	•	•	•	•
NOTE - The Wired Remote Controller above is furnished as standard with the indoor ducted models. As an option, the Wired Remote Controller can be ordered for a wall-mount, cassette or ceiling/floor mount unit if desired.								
Wired Programmable Controller M0STAT64Q-1	15D30	•	•	•	•	•	•	•
Extension Cable for Wired Programmable Controller - 20 ft. M0CTRL64Q-1	Y8738	•	•	•	•	•	•	•
Indoor/Outdoor Wiring Cable - 14 Gauge, 4 conductor wire, THHN, 250 ft.	Y2067	•	•	•	•	•	•	•
SPEEDICHANNEL™ SYSTEM								
SpeediChannel™ Starter Kit - 4 in.	Y3387	•	•	•	•	•	•	•
SpeediChannel - 4 in. x 6-1/2 ft. (qty. 6)	Y3388	•	•	•	•	•	•	•
Union Coupling - 4 in.	Y3389	•	•	•	•	•	•	•
90° Flat Bend Elbow - 4 in.	Y3390	•	•	•	•	•	•	•
90° Inside Elbow - 4 in.	Y3391	•	•	•	•	•	•	•
45° Flat Bend Elbow - 4 in.	Y3392	•	•	•	•	•	•	•
Flex Joint - 4 in.	Y3393	•	•	•	•	•	•	•
T-Joint - 4 in.	Y3394	•	•	•	•	•	•	•
Duct End - 4 in.	Y3395	•	•	•	•	•	•	•
Flat Wall Escutcheon - 4 in.	Y3396	•	•	•	•	•	•	•
Wall Penetration Cover - 4 in.	Y3399	•	•	•	•	•	•	•
Mount Block (White) Qty, 2 - 14 in.	Y3397	•	•	•	•	•	•	•
Mount Block (White) Qty, 2 - 36 in.	Y3398	•	•	•	•	•	•	•

¹ Y7946, Y7949 and 14T74 condensate pumps can be installed inside the indoor units. All other pumps must be installed external to the indoor unit.

AHRI SYSTEM MATCHES

Indoor Unit Type	Outdoor Unit	Indoor Unit	Cooling Capacity	SEER	EER	Heat Capacity		HSPF (IV)	AHRI Reference
						High	Low		
Wall-Mounted Non-Ducted	MPB009S4S-1L	MWMB009S4-1L	9,500	24.5	15.0	11,000	6,500	11.2	10056167
	MPB009S4S-1L	MWMB009S4-2L	9,500	24.5	15.0	11,000	6,500	11.2	201796628
	MPB012S4S-1L	MWMB012S4-1L	12,000	22.0	13.0	12,000	7,600	10.2	10056168
	MPB012S4S-1L	MWMB012S4-2L	12,000	22.0	13.0	12,000	7,600	10.2	201796629
	MPB009S4S-1P	MWMA009S4-2P	9,000	23.5	14.9	9,800	5,800	10.8	10056170
	MPB009S4S-1P	MWMA009S4-3P	9,000	23.5	14.9	9,800	5,800	10.8	201796630
	MPB012S4S-1P	MWMA012S4-2P	12,000	22.7	13.7	12,000	7,700	11	10056172
	MPB012S4S-1P	MWMA012S4-3P	12,000	22.7	13.7	12,000	7,700	11	201796631
	MPB018S4S-1P	MWMA018S4-2P	18,000	21.0	13.0	18,000	11,400	10.4	10056174
	MPB024S4S-1P	MWMA024S4-2P	24,000	20.7	13.7	25,000	15,300	11.5	10056176
	MPB030S4S-1P	MWMB030S4-1P	30,000	19.8	11.5	30,000	18,500	9.4	10056177
Cassette Non-Ducted	MPB009S4S-1P	M22A009S4-1P	9,000	20.0	13.0	10,000	5,800	10.5	10058830
	MPB009S4S-1P	M22A009S4-2P	9,000	20.0	13.0	10,000	5,800	10.5	10058831
	MPB012S4S-1P	M22A012S4-1P	12,000	21.5	14.0	12,000	7,500	10.5	10058832
	MPB012S4S-1P	M22A012S4-2P	12,000	21.5	14.0	12,000	7,500	10.5	10058833
	MPB018S4S-1P	M22A018S4-1P	18,000	20.0	12.5	18,000	12,000	10.3	10058834
	MPB018S4S-1P	M22A018S4-2P	18,000	20.0	12.5	18,000	12,000	10.3	10058835
	MPB024S4S-1P	M33A024S4-1P	24,000	20.0	12.5	24,400	15,800	10.5	10058836
	MPB024S4S-1P	M33A024S4-2P	24,000	20.0	12.5	24,400	15,800	10.5	10058837
	MPB036S4S-1P	M33A036S4-1P	36,000	17.5	9.0	38,000	25,200	10.5	10058838
	MPB048S4S-1P	M33B048S4-1P	48,000	16.8	9.5	50,000	35,000	11	10058839
Ceiling/Floor Mount Non-Ducted	MPB018S4S-1P	MCFB018S4-2P	18,000	20.0	12.5	18,000	12,000	10.5	10058825
	MPB024S4S-1P	MCFA024S4-1P	24,000	20.0	12.5	24,000	15,000	11	10058826
	MPB024S4S-1P	MCFA024S4-2P	24,000	20.0	12.5	24,000	15,000	11	10058827
	MPB036S4S-1P	MCFA036S4-1P	36,000	16.0	8.0	38,000	25,400	10	10058828
	MPB048S4S-1P	MCFA048S4-1P	48,000	17.8	9.3	50,000	35,000	11	10058829
Medium Static Ducted	MPB009S4S-1P	MMDB009S4-2P	9,000	20.50	13.5	10,000	6,800	11.50	10528563
	MPB012S4S-1P	MMDB012S4-2P	12,000	21.50	12.5	12,000	7,200	11.50	10528564
	MPB018S4S-1P	MMDB018S4-2P	18,000	19.00	12.5	18,000	12,000	10.50	10528565
	MPB024S4S-1P	MMDB024S4-2P	24,000	21.50	12.5	24,400	16,000	11.00	10528566
	MPB036S4S-1P	MMDB036S4-1P	36,000	16.50	9.0	40,000	27,600	11.50	10528567
	MPB048S4S-1P	MMDB048S4-1P	48,000	17.40	9.2	49,500	33,400	10.30	10528568

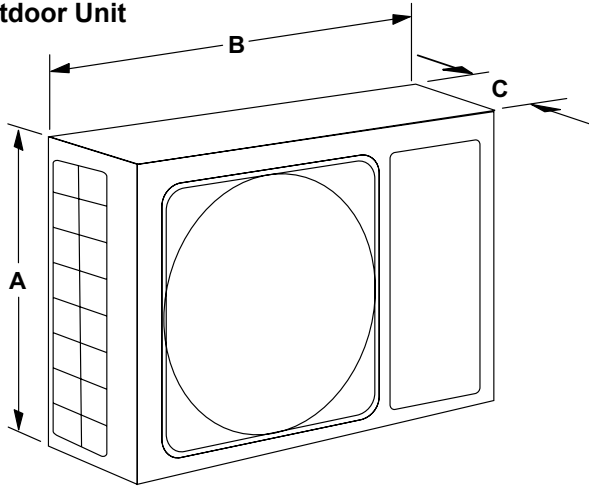
Ratings are AHRI certified to AHRI Standard 210/240-2008;

- Cooling Ratings - 80°F dry bulb/67°F wet bulb entering indoor coil air and 95°F wet bulb/75°F dry bulb outdoor air temperature.
- High Temperature Heating Ratings - 70°F dry bulb/60°F wet bulb entering indoor coil air and 47°F dry bulb/43°F wet bulb outdoor air temperature.
- Low Temperature Heating Ratings - 70°F dry bulb/60°F wet bulb entering indoor coil air and 17°F dry bulb/15°F wet bulb outdoor air temperature.

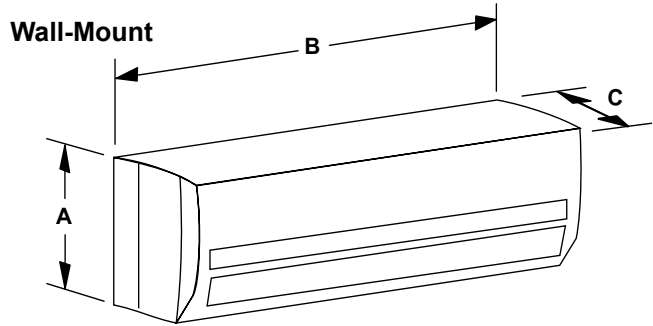
To convert HSPF from Region IV to Region V - Divide by 1.15.

DIMENSIONS

Outdoor Unit



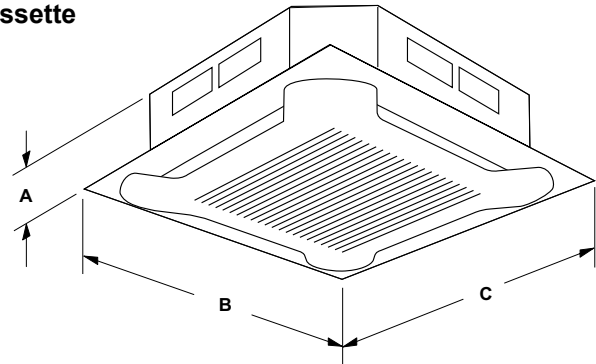
Wall-Mount



Model No.	A		B		C	
	in.	mm	in.	mm	in.	mm
MWMA/B009S4, MWMA/B012S4	11	279	32-7/8	835	7-7/8	200
MWMA018S4	12-3/8	314	39	991	8-5/8	219
MWMA024S4, MWMA030S4	13-1/2	343	46-3/4	1187	10-1/4	260

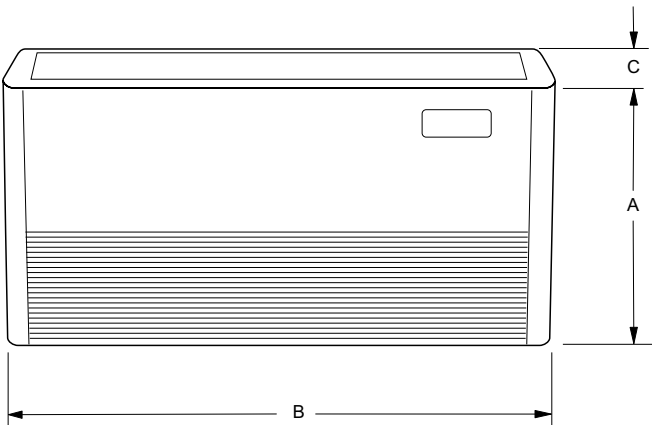
Model No.	A		B		C	
	in.	mm	in.	mm	in.	mm
MPB009S4S (115V), MPB012S4S	21-7/8	556	34-1/4	870	14-3/8	365
MPB009S4S (230V)	21-7/8	556	33-1/8	841	12-5/8	321
MPB018S4S	27-1/2	699	33-1/4	845	13	330
MPB024S4S, MPB030S4S, MPB036S4S	31-7/8	810	37-1/4	946	17-7/8	454
MPB048S4S	52-1/2	1334	41-1/8	1045	16-3/8	416

Cassette

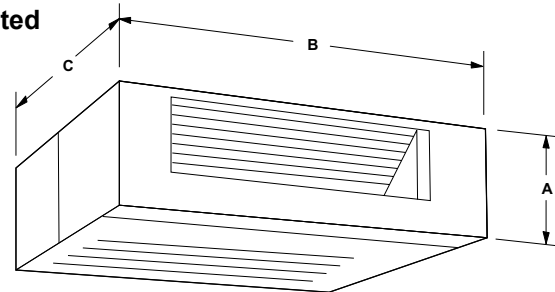


Model No.	A		B		C	
	in.	mm	in.	mm	in.	mm
M22A009S4, M22A012S4, M22A018S4	10-3/8	264	25-1/2	648	25-1/2	648
M33A024S4	8-1/8	206	37-3/8	949	37-3/8	949
M33A036S4	9-5/8	244	37-3/8	949	37-3/8	949
M33B048S4	11-1/4	286	37-3/8	949	37-3/8	949

Ceiling/Floor



Ducted



Model No.	A		B		C	
	in.	mm	in.	mm	in.	mm
MMDB009S4, MMDB012S4	7-7/8	200	30-3/4	781	19-7/8	505
MMDB018S4	8-1/4	210	37-7/8	962	26-1/2	673
MMDB024S4	9-3/4	248	46-1/2	1181	30-1/2	775
MMDB036S4	9-3/4	249	56-3/4	1441	30-1/2	775
MMDB048S4	11-7/8	302	50-1/2	1283	34-3/8	873

Model No.	A		B		C	
	in.	mm	in.	mm	in.	mm
MCFB018S4	26-5/8	676	42	1067	9-1/4	235
MCFA024S4	26-5/8	676	42-1/8	1070	9-1/4	235
MCFA036S4	26-5/8	676	50-5/8	1286	9-1/4	235
MCFA048S4	26-5/8	676	65	1651	9-1/4	235

NOTE - Due to Lennox' ongoing commitment to quality, Specifications, Ratings and Dimensions subject to change without notice and without incurring liability. Improper installation, adjustment, alteration, service or maintenance can cause property damage or personal injury. Installation and service must be performed by a qualified installer and servicing agency.

PRODUCT CATALOG

**Multi-Zone Low Ambient Heat Pump System - R-410A
SEER - Up to 22.00
HSPF - Up to 10.5**

Page 25

April 2019

Supersedes February 2019

FEATURES

OUTDOOR UNITS

Zoning

Multi-zone heat pumps allow up to four indoor units (four zones) to be connected to one outdoor unit.

Compressor

Variable frequency rotary compressor

Compressor crankcase heater

Controls

DC inverter control

Outdoor unit microprocessor

Electronic expansion valve

Compressor overcurrent protection

Condenser high temperature protection

High pressure discharge temperature protection

Intelligent Power Module (IPM) Protection

Low and high voltage protection

Terminal strip

Defrost control

Reversing valve

Outdoor Unit Cabinet

Heavy gauge steel

Condensate drain outlets

Pan heater

Access cover for power and control wiring

Access cover for service valves

INDOOR UNITS

Wall-Mount

Cassette

Ceiling/Floor Mount

Medium Static Ducted

Blower

Multi-speed fan

Filter

Cleanable filter

Controls

Indoor unit microprocessor

LED Readout



Auto restart

Cooling override

Terminal strip

Indoor coil freeze protection

Time delay

Auto operation

Condensate Pump

Furnished with Cassette and Ducted models

CONTROLS (FURNISHED)

Wireless Remote Control -

Furnished with Wall-Mounted Indoor Units, Cassette Indoor Units and Ceiling/Floor Indoor Units

Wired Remote Control - Furnished with Ducted Indoor Units

NOTE - As an option, a wireless control can be ordered for a ducted indoor unit and a wired control can be ordered for a wall-mount, cassette or ceiling/floor mount unit if desired.

LIMITED WARRANTY

Compressor - seven years

All covered components - five years

Refer to Lennox Equipment Limited Warranty certificate included with equipment for details

DIMENSIONS

See page 34

ACCESSORIES

See page 34

Outdoor Unit

- Condenser Pad
- Disconnect
- Fuses
- Line Sets
- Wall Brackets
- Whips

Indoor Unit

- Condensate Pump
- Drain Line
- Indoor/Outdoor Wiring Cable

Installation Accessories

- Speedichannel™ System

NOTE - Due to Lennox' ongoing commitment to quality, Specifications, Ratings and Dimensions subject to change without notice and without incurring liability. Improper installation, adjustment, alteration, service or maintenance can cause property damage or personal injury. Installation and service must be performed by a qualified installer and servicing agency.

SPECIFICATIONS - MLA OUTDOOR UNITS

Nominal Size - Tons		1.5	2.5	3
Outdoor Unit Model No.		MLA018S4M	MLA030S4M	MLA036S4M
Number of Zones		2	Up to 3	Up to 4
Ambient Temperature Range - °F	Cooling	-22 - 122	-22 - 122	-22 - 122
	Heating	-22 - 86	-22 - 86	-22 - 86
Sound Data (dBA)	Cooling	63.4	62.3	64
	Heating	63.4	62.3	64
Refrigerant	Charge furnished (R-410A)	6 lbs. 3 oz.	6 lbs. 10 oz.	10 lbs. 2 oz.
	Maximum line length with furnished charge (per zone) - ft.	25	25	25
	Additional charge required per ft. - oz.	0.161	0.161	0.32
Compressor	No. and Type	Rotary	Rotary	Twin-Rotary
	Refrigerant oil type	POE VG74	POE VG74	ESTER OIL VG74
	Refrigerant oil charge - oz.	22.7	33.8	47.3
Connections - in.	Liquid+Gas pipe (flare)	(2) 1/4 liq. + (2) 3/8 gas	(3) 1/4 liq. + (3) 3/8 gas	(3) 1/4 liq. + (3) 3/8 gas (1) 1/4 liq. + (1) 1/2 gas
	Maximum pipe length for all rooms - ft.	148	197	246
	Maximum pipe length for one indoor unit - ft.	82	98	98
	Max. height difference between indoor and outdoor units - ft.	49	49	49
	Max. height difference between indoor units - ft.	33	33	33
Outdoor Fan	(No.) Diameter - in.	20	20	(2) 22
	Total air volume - cfm	2130	2355	(2) 4470
	rpm	150/200/250/300/400/500/600/750/900/1000	150/200/250/300/400/500/600/750/900/1000	150/200/250/300/400/500/600/700/800/870
Outdoor Coil	Number of rows	2	2	2
	Fins per inch	17	19	18
	Fin type	Hydrophilic aluminium		
	Tube outside diameter - in.	3/8	3/8	3/8
	Tube type	Rifled copper tubing		
Net face area - ft.2	8.24	8.16	13.40	
Design Pressure	PSIG	550/340	550/340	550/340
Shipping Data	Net/Shipping weight (lbs.)	150 / 161	157 / 168	224 / 255
ELECTRICAL DATA				
Electrical Characteristics - 60 Hz - 1 Phase		208/230V	208/230V	208/230V
¹ Maximum Overcurrent Protection (amps)		35	40	50
² Minimum circuit ampacity		25	30	35
Compressor Rated load amps		15	22	21
Outdoor Fan Motor	Rated load amps	0.9	1.3	(2) 0.39
	Output - W	120	120	(2) 85

NOTE - Extremes of operating range are plus and minus 10% of line voltage.

¹ HACR type circuit breaker or fuse.

² Refer to National or Canadian Electrical Code manual to determine wire, fuse and disconnect size requirements.

NOTE - Adaptors are furnished for the gas pipe connections:

018 - (2) 3/8 x 1/2 in.

030 - (3) 3/8 x 1/2 in.

036 - (3) 3/8 x 1/2 in. and (1) 1/2 x 3/8 in.



NOTE - Due to Lennox' ongoing commitment to quality, Specifications, Ratings and Dimensions subject to change without notice and without incurring liability. Improper installation, adjustment, alteration, service or maintenance can cause property damage or personal injury. Installation and service must be performed by a qualified installer and servicing agency.

AHRI RATINGS


Outdoor Unit Model No.	Number of Zones	System Type	Cooling Btuh	High Temperature Heating Btuh	Low Temperature Heating Btuh	SEER	EER	HSPF (Region IV)	AHRI Reference Number	Energy Star
MLA018S4M	2	Ducted	18,000	18,000	11,800	16.8	11.3	8.6	9920052	No
		Non-Ducted	19,000	20,000	12,600	21.5	12.5	9.8	201771987	Yes
		Mixed Ducted and Non-Ducted	18,300	19,000	12,333	18.77	11.6	9.4	202119246	Yes
MLA030S4M	Up to 3	Ducted	27,000	27,000	16,600	17.6	10.8	9.1	9920053	No
		Non-Ducted	28,000	28,000	18,000	22	13	10.4	202106816	Yes
		Mixed Ducted and Non-Ducted	27,600	28,600	17,300	20.65	11.95	9.98	202119247	Yes
MLA036S4M	Up to 4	Ducted	35,000	36,000	24,400	17	10.8	9.2	9920056	No
		Non-Ducted	36,000	36,000	23,200	21.5	13.5	10.5	201771989	Yes
		Mixed Ducted and Non-Ducted	35,600	36,200	24,066	19.17	11.87	10.23	202119248	Yes

NOTE - Per AHRI, the certified ratings for systems are valid for all combinations of indoor units with the specific outdoor units listed above and in the AHRI Directory of Certified Equipment. Please visit <http://www.ahridirectory.org> for further details and latest updates.

¹ Ratings are AHRI certified to AHRI Standard 1230-2010 with Addendum 2;


- Cooling Ratings - 80°F dry bulb/67°F wet bulb entering indoor coil air and 95°F dry bulb/75°F wet bulb outdoor air temperature.
- High Temperature Heating Ratings - 70°F dry bulb/60°F wet bulb entering indoor coil air and 47°F dry bulb/43°F wet bulb outdoor air temperature.
- Low Temperature Heating Ratings - 70°F dry bulb/60°F wet bulb entering indoor coil air and 17°F dry bulb/15°F wet bulb outdoor air temperature.

SPECIFICATIONS - WALL-MOUNTED INDOOR UNITS



Model No.		MWMA009S4	MWMA012S4	MWMA018S4	MWMA024S4
Nominal Tons		0.75	1	1.5	2
Power Supply - 60 hz - 1 phase		208/230V	208/230V	208/230V	208/230V
Rated load amps		0.06	0.06	0.13	0.3
Output (W)		20	20	58	60
Room Temperature Range (°F)	Cooling	62 - 90	62 - 90	62 - 90	62 - 90
	Heating	32 - 86	32 - 86	32 - 86	32 - 86
Air Volume - cfm (High/Medium/Low)		370/270/195	370/275/200	530/410/295	695/625/485
Sound Data (dBA) - Low/Medium/High		26.5/33.4/41.7	28.6/35.8/45.1	30.9/36.3/46.2	35.1/44.5/51.7
Piping Connections - Liquid/Gas - o.d. - flare - in.		1/4 / 3/8	1/4 / 1/2	1/4 / 1/2	3/8 / 5/8
Drain connection o.d. - in.		1	1	1	1
Net/Shipping weights - lbs.		20 / 26	20 / 27	27 / 35	40 / 54

SPECIFICATIONS - CASSETTE INDOOR UNITS




Model No.		M22A009S4	M22A012S4	M22A018S4	M33A024S4
Nominal Tons		0.75	1	1.5	2
Power Supply - 60 hz - 1 phase		208/230V	208/230V	208/230V	208/230V
Rated load amps		0.9	1.0	1.5	2.0
Output (W)		46	46	46	42
Room Temperature Range (°F)	Cooling	62 - 90	62 - 90	62 - 90	62 - 90
	Heating	32 - 86	32 - 86	32 - 86	32 - 86
Air Volume - cfm (High/Medium/Low)		375/300/255	380/310/260	560/485/415	700/635/575
Sound Data (dBA) - Low/Medium/High		33/37/41	36/39/43	36/39/44	43/47/51
Piping Connections - Liquid/Gas - o.d. - flare - in.		1/4 / 3/8	1/4 / 1/2	1/4 / 1/2	3/8 / 5/8
Drain connection o.d. - in.		1	1	1	1-1/4
Net/Shipping weights - lbs. Body		32 / 38	36 / 41	36 / 42	47 / 55

REQUIRED COMPONENTS - ORDERED SEPARATELY


Cassette Panel	13X04 (M0STAT62Q-1)	13X04 (M0STAT62Q-1)	13X04 (M0STAT62Q-1)	13X05 (M0STAT63Q-1)
Net/Shipping weights - lbs.	6 / 10	6 / 10	6 / 10	12 / 18

NOTE – Due to Lennox' ongoing commitment to quality, Specifications, Ratings and Dimensions subject to change without notice and without incurring liability. Improper installation, adjustment, alteration, service or maintenance can cause property damage or personal injury. Installation and service must be performed by a qualified installer and servicing agency.

SPECIFICATIONS - CEILING/FLOOR MOUNT INDOOR UNITS

	Model No.	MCFB018S4	MCFA024S4
		Nominal Tons	1.5
	Power Supply - 60 hz - 1 phase	208/230V	208/230V
	Rated load amps	1.5	2
	Output (W)	55	55
Room Temperature Range (°F)	Cooling	62 - 90	62 - 90
	Heating	32 - 86	32 - 86
	Air Volume - cfm (High/Medium/Low)	580/520/465	760/710/600
	Sound Data (dBA) - Low/Medium/High	39/44/47	42/48/53
	Piping Connections - Liquid/Gas - o.d. - flare - in.	1/4 / 1/2	3/8 / 5/8
	Drain connection o.d. - in.	1	1
	Net/Shipping weights - lbs.	55 / 66	59 / 70

SPECIFICATIONS - MEDIUM STATIC DUCTED INDOOR UNITS

	Model No.	MMDB009S4	MMDB012S4	MMDB018S4	MMDB024S4
		Nominal Tons	0.75	1	1.5
	Power Supply - 60 hz - 1 phase	208/230V	208/230V	208/230V	208/230V
	Rated load amps	1.11	1.11	1.2	1.5
	Output (W)	55	55	160	160
Room Temperature Range (°F)	Cooling	62 - 90	62 - 90	62 - 90	62 - 90
	Heating	32 - 86	32 - 86	32 - 86	32 - 86
	Air Volume - cfm (High/Medium/Low)	355/285/175	355/285/175	530/450/370	775/695/435
	External Static Pressure (in. w.g)	0 - 0.16	0 - 0.16	0 - 0.40	0 - 0.64
	Sound Data (dBA) - Low/Medium/High	25/32/38	26/33.5/38	35/37/39	36/41/44
	Piping Connections - Liquid/Gas - o.d. - flare - in.	1/4 / 3/8	1/4 / 3/8	1/4 / 1/2	3/8 / 5/8
	Drain connection o.d. - in.	1	1	1	1
	Net/Shipping weights - lbs.	38 / 49	38 / 49	54 / 66	87 / 103

NOTE - Due to Lennox' ongoing commitment to quality, Specifications, Ratings and Dimensions subject to change without notice and without incurring liability. Improper installation, adjustment, alteration, service or maintenance can cause property damage or personal injury. Installation and service must be performed by a qualified installer and servicing agency.

OPTIONAL ACCESSORIES - ORDER SEPARATELY

Description	Catalog No.	Size											
		09	12	18	24	30	36						
OUTDOOR UNIT													
Condenser Pad (18 x 38 x 3)	Y5014	N/A	N/A	N/A	N/A	N/A	N/A						
Disconnects	30 amp, fused, 1 ph 60 amp, non-fused, 1 ph							27P37	27P39				
Fuses	30A 60A							83P75	83P77				
Hail Guards	M9GARD17Q-1 M9GARD18Q-1							15D28	15D29				
¹ Line Sets	1/4 in. x 3/8 in. x 25 ft.							90X53	X0258				
	1/4 in. x 3/8 in. x 50 ft.							X0258	X0259				
	1/4 in. x 1/2 in. x 25 ft.							90X52	X0259				
	1/4 in. x 1/2 in. x 50 ft.							X0259	X0259				
Wall Brackets	30 inch 36 inch							X1727	X1728				
Whips	10 Gauge - 1/2 in. x 6 ft. 8 Gauge - 3/4 in. x 6 ft.							29P54	27P44				
INDOOR UNIT													
² Diversitech Condensate Pumps with Reservoir	ClearVue Mini™ - 7.9 US gallons per hour, 35 ft. lift - 120/240V							Y5170					N/A
	Mini-Split Pump - 4 US gallons per hour, 20 ft. lift - 115V	Y7946			N/A								
	Mini-Split Pump - 4 US gallons per hour, 20 ft. lift - 230V	Y7949											
² Blue Diamond® Condensate Pumps with Reservoir	MicroBlue® - 1.3 US gallons per hour, 6 ft. lift - 110v-230V	14T74			N/A								
	MaxiBlue® - 3.7 US gallons per hour, 16.5 ft. lift - 208-230V	14T69		N/A									
	MultiTank Kit	14T75		N/A									
	Sensor Cable Extension - 16 ft.	14T76											
A/C Easy Tee® Condensate Cleanout	Y7947												
CONTROLS													
Wired Remote Controller (Furnished With All Ducted Models)	M0STAT61Q-1	14A66											
Extension Cable for Wired Remote Controller - 20 ft.		Y8008											
NOTE - The Wired Remote Controller above is furnished as standard with the indoor ducted models. As an option, the Wired Remote Controller can be ordered for a wall-mount, cassette or ceiling/floor mount unit if desired.													
Wired Programmable Controller	M0STAT64Q-1	15D30											
Extension Cable for Wired Programmable Controller - 20 ft.	M0CTRL64Q-1	Y8738											
Indoor/Outdoor Wiring Cable - 14 Gauge, 4 conductor wire, THHN, 250 ft.		Y2067											
SPEEDICHANNEL™ SYSTEM													
SpeediChannel™ Starter Kit - 4 in.		Y3387											
SpeediChannel - 4 in. x 6-1/2 ft. (qty. 6)		Y3388											
Union Coupling - 4 in.		Y3389											
90° Flat Bend Elbow - 4 in.		Y3390											
90° Inside Elbow - 4 in.		Y3391											
45° Flat Bend Elbow - 4 in.		Y3392											
Flex Joint - 4 in.		Y3393											
T-Joint - 4 in.		Y3394											
Duct End - 4 in.		Y3395											
Flat Wall Escutcheon - 4 in.		Y3396											
Wall Penetration Cover - 4 in.		Y3399											
Mount Block (White) Qty, 2 - 14 in.		Y3397											
Mount Block (White) Qty, 2 - 36 in.		Y3398											

¹ See Connections and Line Set Usage tables on page 32.

² Y7946, Y7949 and 14T74 condensate pumps can be installed inside the indoor units. All other pumps must be installed external to the indoor unit.

MULTI-ZONE SYSTEM COMBINATIONS

NOTE - For multi-zone systems, the total capacity of all indoor units must be 66% to 133% of the outdoor unit capacity.

Outdoor Unit Model No.	Number of Zones	Indoor Unit Capacity				Nominal Cooling Capacity at Rated System Capacity (Btuh)				Nominal Heating Capacity at Rated System Capacity (Btuh)			
		#1	#2	#3	#4	#1	#2	#3	#4	#1	#2	#3	#4
MLA018S4M	2	009	009	---	---	9,000	9,000	---	---	10,000	10,000	---	---
		009	012	---	---	9,000	12,000	---	---	10,000	13,000	---	---
		009	018	---	---	8,000	17,000	---	---	9,000	18,000	---	---
		012	012	---	---	11,000	11,000	---	---	13,000	13,000	---	---
MLA030S4M	2	009	009	---	---	9,500	9,500	---	---	10,000	10,000	---	---
		009	012	---	---	9,500	12,000	---	---	10,000	13,000	---	---
		009	018	---	---	8,400	16,600	---	---	9,000	18,000	---	---
		009	024	---	---	8,000	21,000	---	---	9,000	24,000	---	---
		012	012	---	---	12,000	12,000	---	---	13,000	13,000	---	---
		012	018	---	---	10,000	15,000	---	---	12,000	18,000	---	---
		012	024	---	---	9,500	20,500	---	---	11,000	23,000	---	---
	3	018	018	---	---	15,000	15,000	---	---	17,000	17,000	---	---
		009	009	009	---	9,000	9,000	9,000	---	10,000	10,000	10,000	---
		009	009	012	---	8,667	8,667	11,667	---	9,500	9,500	12,000	---
		009	009	018	---	8,333	8,333	13,333	---	9,000	9,000	14,000	---
		009	012	012	---	8,500	10,000	10,000	---	8,500	11,500	11,500	---
		009	012	018	---	8,000	10,000	13,000	---	8,000	10,000	15,000	---
		012	012	012	---	10,000	10,000	10,000	---	10,667	10,667	10,667	---
MLA036S4M	2	009	018	---	---	9,500	17,500	---	---	10,000	18,000	---	---
		009	024	---	---	9,000	24,000	---	---	10,000	25,000	---	---
		012	012	---	---	12,000	12,000	---	---	13,000	13,000	---	---
		012	018	---	---	12,000	18,000	---	---	13,000	18,000	---	---
		012	024	---	---	11,000	23,000	---	---	12,000	24,000	---	---
		018	018	---	---	16,500	16,500	---	---	17,000	17,000	---	---
		018	024	---	---	16,000	22,000	---	---	16,500	22,500	---	---
	3	024	024	---	---	20,000	20,000	---	---	21,000	21,000	---	---
		009	009	009	---	9,333	9,333	9,333	---	9,667	9,667	9,667	---
		009	009	012	---	9,000	9,000	12,000	---	9,500	9,500	12,500	---
		009	009	018	---	8,000	8,000	16,000	---	8,500	8,500	17,000	---
		009	009	024	---	7,500	7,500	21,000	---	8,500	8,500	22,000	---
		009	012	012	---	8,500	11,500	11,500	---	9,000	12,000	12,000	---
		009	012	018	---	8,000	11,000	15,000	---	8,500	11,500	16,000	---
		009	012	024	---	7,500	10,500	19,000	---	8,000	11,000	19,500	---
		009	018	018	---	8,000	14,000	14,000	---	8,500	14,500	14,500	---
		012	012	012	---	11,333	11,333	11,333	---	12,000	12,000	12,000	---
		012	012	018	---	11,000	11,000	14,000	---	12,000	12,000	15,000	---
	4	012	012	024	---	10,000	10,000	18,000	---	10,500	10,500	18,500	---
		012	018	018	---	9,333	13,333	13,333	---	10,000	14,500	14,500	---
		009	009	009	009	9,000	9,000	9,000	9,000	9,500	9,500	9,500	9,500
009		009	009	012	8,500	8,500	8,500	11,500	9,000	9,000	9,000	12,000	
009		009	009	018	8,000	8,000	8,000	14,000	8,500	8,500	8,500	14,000	
009		009	012	012	8,000	8,000	10,500	10,500	8,500	8,500	11,000	11,000	
009		009	012	018	7,500	7,500	9,000	14,000	8,000	8,000	9,500	14,500	
009	012	012	012	7,000	10,000	10,000	10,000	8,000	10,500	10,500	10,500		
012	012	012	012	9,500	9,500	9,500	9,500	10,000	10,000	10,000	10,000		

NOTE – Due to Lennox’ ongoing commitment to quality, Specifications, Ratings and Dimensions subject to change without notice and without incurring liability. Improper installation, adjustment, alteration, service or maintenance can cause property damage or personal injury. Installation and service must be performed by a qualified installer and servicing agency.

CONNECTIONS AND LINE SET USAGE

Outdoor Model	No. of Zones	Indoor Unit Capacity (Unit No.)	Line Set Required (Liquid x Gas)
MLA018S4M Indoor Unit A 1/4" liq + 3/8" gas Indoor Unit B 1/4" liq + 3/8" gas	2	009 (A)	1/4 in. x 3/8 in.
		009 (B)	1/4 in. x 3/8 in.
	2	012 (A)	1 1/4 in. x 1/2 in.
		009 (B)	1/4 in. x 3/8 in.
	2	009 (B)	1/4 in. x 3/8 in.
		018 (A)	1 1/4 in. x 1/2 in.
	2	012 (A)	1 1/4 in. x 1/2 in.
		012 (B)	1 1/4 in. x 1/2 in.
MLA030S4M Indoor Unit A 1/4" liq + 1/2" gas Indoor Unit B 1/4" liq + 3/8" gas Indoor Unit C 1/4" liq + 3/8" gas	2	009 (A)	1 1/4 in. x 3/8 in.
		009 (B)	1/4 in. x 3/8 in.
	2	012 (A)	1/4 in. x 1/2 in.
		009 (B)	1/4 in. x 3/8 in.
	2	009 (B)	1/4 in. x 3/8 in.
		018 (A)	1/4 in. x 1/2 in.
	2	009 (B)	1/4 in. x 3/8 in.
		024 (A)	2,3 3/8 in. x 5/8 in.
	2	012 (A)	1/4 in. x 1/2 in.
		012 (B)	1 1/4 in. x 1/2 in.
	2	012 (B)	1 1/4 in. x 1/2 in.
		018 (A)	1/4 in. x 1/2 in.
	2	024 (A)	2,3 3/8 in. x 5/8 in.
		012 (B)	1 1/4 in. x 1/2 in.
	2	018 (A)	1/4 in. x 1/2 in.
		018 (B)	1/4 in. x 1/2 in.
	2	018 (A)	1/4 in. x 1/2 in.
		012 (B)	1 1/4 in. x 1/2 in.
	2	018 (A)	1/4 in. x 1/2 in.
		018 (B)	1/4 in. x 1/2 in.
	3	009 (A)	1 1/4 in. x 3/8 in.
		009 (B)	1/4 in. x 3/8 in.
	3	009 (C)	1/4 in. x 3/8 in.
		012 (A)	1/4 in. x 1/2 in.
3	009 (C)	1/4 in. x 3/8 in.	
	012 (A)	1/4 in. x 1/2 in.	
3	012 (B)	1 1/4 in. x 1/2 in.	
	009 (B)	1/4 in. x 3/8 in.	
3	009 (C)	1/4 in. x 3/8 in.	
	018 (A)	1/4 in. x 1/2 in.	
3	018 (A)	1/4 in. x 1/2 in.	
	012 (B)	1 1/4 in. x 1/2 in.	
3	009 (C)	1/4 in. x 3/8 in.	
	012 (A)	1/4 in. x 1/2 in.	
3	012 (B)	1 1/4 in. x 1/2 in.	
	012 (C)	1 1/4 in. x 1/2 in.	

¹ 3/8 x 1/2 in. gas pipe adaptor is required for line set connection to outdoor unit (furnished with outdoor unit).

² 1/4 x 3/8 in. liquid pipe adaptor is required for line set connection to the outdoor unit (furnished with outdoor unit).

³ 1/2 x 5/8 in. gas pipe adaptor is required for line set connection to the outdoor unit (furnished with outdoor unit).

CONNECTIONS AND LINE SET USAGE

Outdoor Model	No. of Zones	Indoor Unit Capacity (Unit No.)	Line Set Required (Liquid x Gas)
MLA036S4M Indoor Unit A 1/4" liq + 1/2" gas Indoor Unit B 1/4" liq + 1/2" gas Indoor Unit C 1/4" liq + 3/8" gas Indoor Unit D 1/4" liq + 3/8" gas	2	009 (B)	¹ 1/4 in. x 3/8 in.
		018 (A)	1/4 in. x 1/2 in.
	2	009 (B)	¹ 1/4 in. x 3/8 in.
		024 (A)	2,3 3/8 in. x 5/8 in.
	2	012 (A)	1/4 in. x 1/2 in.
		012 (B)	1/4 in. x 1/2 in.
	2	012 (B)	1/4 in. x 1/2 in.
		018 (A)	1/4 in. x 1/2 in.
	2	012 (B)	1/4 in. x 1/2 in.
		024 (A)	2,3 3/8 in. x 5/8 in.
	2	018 (B)	1/4 in. x 1/2 in.
		018 (A)	1/4 in. x 1/2 in.
	2	018 (B)	1/4 in. x 1/2 in.
		024 (A)	2,3 3/8 in. x 5/8 in.
	2	024 (B)	2,3 3/8 in. x 5/8 in.
		024 (A)	2,3 3/8 in. x 5/8 in.
	3	009 (A)	¹ 1/4 in. x 3/8 in.
		009 (B)	¹ 1/4 in. x 3/8 in.
		009 (C)	1/4 in. x 3/8 in.
	3	009 (B)	¹ 1/4 in. x 3/8 in.
		009 (C)	1/4 in. x 3/8 in.
		012 (A)	1/4 in. x 1/2 in.
	3	009 (B)	¹ 1/4 in. x 3/8 in.
		009 (C)	1/4 in. x 3/8 in.
		018 (A)	1/4 in. x 1/2 in.
	3	009 (C)	1/4 in. x 3/8 in.
		009 (B)	1 1/4 in. x 1/2 in.
		024 (A)	2,3 3/8 in. x 5/8 in.
	3	009 (C)	1/4 in. x 3/8 in.
		012 (A)	1/4 in. x 1/2 in.
		012 (B)	1/4 in. x 1/2 in.
	3	009 (C)	1/4 in. x 3/8 in.
012 (B)		1/4 in. x 1/2 in.	
018 (A)		1/4 in. x 1/2 in.	
3	009 (C)	1/4 in. x 3/8 in.	
	024 (A)	2,3 3/8 in. x 5/8 in.	
	012 (B)	1/4 in. x 1/2 in.	
3	009 (C)	1/4 in. x 3/8 in.	
	018 (A)	1/4 in. x 1/2 in.	
	018 (B)	1/4 in. x 1/2 in.	
3	012 (A)	1/4 in. x 1/2 in.	
	012 (B)	1/4 in. x 1/2 in.	
	012 (C)	¹ 1/4 in. x 1/2 in.	

¹ 3/8 x 1/2 in. gas pipe adaptor is required for line set connection to outdoor unit (furnished with outdoor unit).

² 1/4 x 3/8 in. liquid pipe adaptor is required for line set connection to the outdoor unit (furnished with outdoor unit).

³ 1/2 x 5/8 in. gas pipe adaptor is required for line set connection to the outdoor unit (furnished with outdoor unit).

NOTE – Due to Lennox' ongoing commitment to quality, Specifications, Ratings and Dimensions subject to change without notice and without incurring liability.

Improper installation, adjustment, alteration, service or maintenance can cause property damage or personal injury.

Installation and service must be performed by a qualified installer and servicing agency.

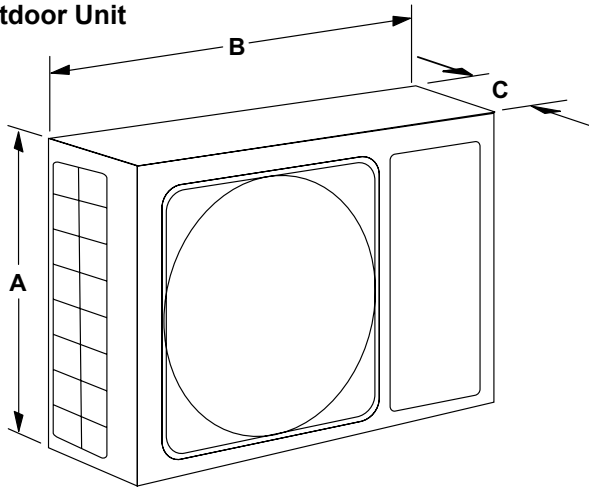
CONNECTIONS AND LINE SET USAGE

Outdoor Model	No. of Zones	Indoor Unit Capacity (Unit No.)	Line Set Required (Liquid x Gas)
MLA036S4M Indoor Unit A 1/4" liq + 1/2" gas Indoor Unit B 1/4" liq + 1/2" gas Indoor Unit C 1/4" liq + 3/8" gas Indoor Unit D 1/4" liq + 3/8" gas	3	012 (B)	1/4 in. x 1/2 in.
		012 (C)	¹ 1/4 in. x 1/2 in.
		018 (A)	1/4 in. x 1/2 in.
	3	012 (B)	1/4 in. x 1/2 in.
		012 (C)	¹ 1/4 in. x 1/2 in.
		024 (A)	^{2,3} 3/8 in. x 5/8 in.
	3	012 (C)	¹ 1/4 in. x 1/2 in.
		018 (A)	1/4 in. x 1/2 in.
		018 (B)	1/4 in. x 1/2 in.
	4	009 (B)	¹ 1/4 in. x 3/8 in.
		009 (C)	1/4 in. x 3/8 in.
		009 (D)	1/4 in. x 3/8 in.
		009 (A)	¹ 1/4 in. x 3/8 in.
	4	009 (B)	¹ 1/4 in. x 3/8 in.
		009 (C)	1/4 in. x 3/8 in.
		009 (D)	1/4 in. x 3/8 in.
	4	012 (A)	1/4 in. x 1/2 in.
		009 (B)	¹ 1/4 in. x 3/8 in.
		009 (C)	1/4 in. x 3/8 in.
		009 (D)	1/4 in. x 3/8 in.
	4	018 (A)	1/4 in. x 1/2 in.
		009 (C)	1/4 in. x 3/8 in.
		009 (D)	1/4 in. x 3/8 in.
		012 (A)	1/4 in. x 1/2 in.
	4	012 (B)	1/4 in. x 1/2 in.
		009 (C)	1/4 in. x 3/8 in.
		009 (D)	1/4 in. x 3/8 in.
		012 (B)	1/4 in. x 1/2 in.
4	018 (A)	1/4 in. x 1/2 in.	
	009 (D)	1/4 in. x 3/8 in.	
	012 (A)	1/4 in. x 1/2 in.	
	012 (B)	1/4 in. x 1/2 in.	
4	012 (C)	¹ 1/4 in. x 1/2 in.	
	012 (A)	1/4 in. x 1/2 in.	
	012 (B)	1/4 in. x 1/2 in.	
	012 (C)	¹ 1/4 in. x 1/2 in.	

¹ 3/8 x 1/2 in. gas pipe adaptor is required for line set connection to outdoor unit (furnished with outdoor unit).
² 1/4 x 3/8 in. liquid pipe adaptor is required for line set connection to the outdoor unit (furnished with outdoor unit).
³ 1/2 x 5/8 in. gas pipe adaptor is required for line set connection to the outdoor unit (furnished with outdoor unit).

DIMENSIONS

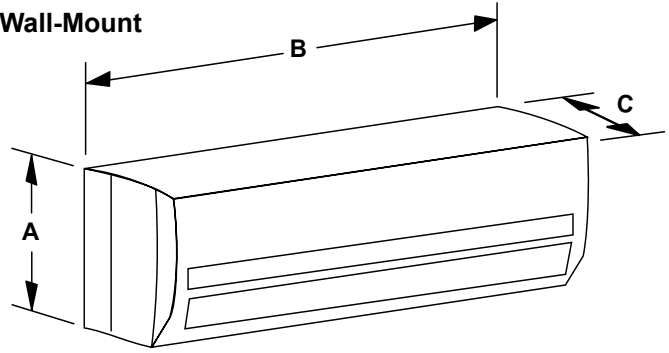
Outdoor Unit



Model No.	A		B		C	
	in.	mm	in.	mm	in.	mm
MLA018S4M, MLA030S4M	31-7/8	810	40-5/8	1032	18	457
MLA036S4M	52-1/2	1334	41-1/8	1045	16-3/8	416

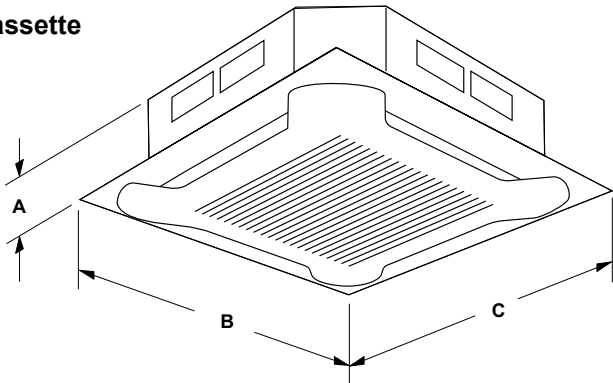
NOTE - MLA036 has two fans.

Wall-Mount



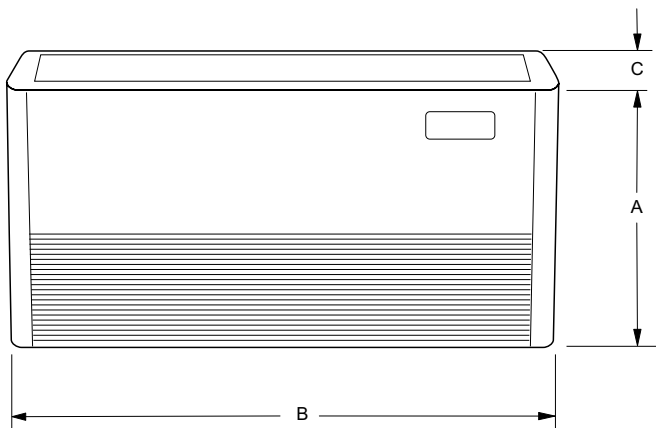
Model No.	A		B		C	
	in.	mm	in.	mm	in.	mm
MWMA009S4, MWMA012S4	11	279	32-7/8	835	7-7/8	200
MWMA018S4	12-3/8	314	39	991	8-5/8	219
MWMA024S4	13-1/2	343	46-3/4	1187	10-1/4	260

Cassette



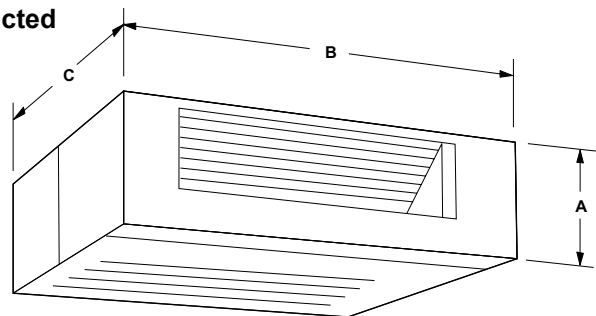
Model No.	A		B		C	
	in.	mm	in.	mm	in.	mm
M22A009S4, M22A012S4, M22A018S4	23-1/2	572	25-1/2	648	25-1/2	648
M33A024S4	8-1/8	206	37-3/8	949	37-3/8	949

Floor/Ceiling



Model No.	A		B		C	
	in.	mm	in.	mm	in.	mm
MCFB018S4	26-5/8	676	42	1067	9-1/4	235
MCFA024S4	26-5/8	676	42-1/8	1070	9-1/4	235

Ducted



Model No.	A		B		C	
	in.	mm	in.	mm	in.	mm
MMDB009S4, MMDB012S4	7-7/8	200	30-3/4	781	19-7/8	505
MMDB018S4	8-1/4	210	37-7/8	962	26-1/2	673
MMDB024S4	9-3/4	248	46-1/2	1181	30-1/2	775

NOTE - Due to Lennox' ongoing commitment to quality, Specifications, Ratings and Dimensions subject to change without notice and without incurring liability. Improper installation, adjustment, alteration, service or maintenance can cause property damage or personal injury. Installation and service must be performed by a qualified installer and servicing agency.

PRODUCT CATALOG

**Single-Zone Low Ambient Heat Pump System - R-410A
SEER - Up to 24.00
HSPF - Up to 11.0**

Page 35

April 2019

Supersedes February 2019

FEATURES

OUTDOOR UNITS

Compressor

Variable frequency rotary compressor

Compressor crankcase heater

Controls

DC inverter control

Outdoor unit microprocessor

Electronic expansion valve

Compressor overcurrent protection

Condenser high temperature protection

High pressure discharge temperature protection

Intelligent Power Module (IPM) Protection

Low and high voltage protection

Terminal strip

Defrost control

Reversing valve

Outdoor Unit Cabinet

Heavy gauge steel

Condensate drain outlets

Pan heater

Access cover for power and control wiring

Access cover for service valves

INDOOR UNITS

Wall-Mount

Cassette

Ceiling/Floor Mount

Medium Static Ducted

Blower

Multi-speed fan

Filter

Cleanable filter

Controls

Indoor unit microprocessor

LED Readout

Auto restart

Cooling override

Terminal strip

Indoor coil freeze protection



Time delay

Auto operation

Condensate Pump

Furnished with Cassette and Ducted models

CONTROLS (FURNISHED)

Wireless Remote Control -

Furnished with Wall-Mounted Indoor Units, Cassette Indoor Units and Ceiling/Floor Indoor Units

Wired Remote Control - Furnished with Ducted Indoor Units

NOTE - As an option, a wireless control can be ordered for a ducted indoor unit and a wired control can be ordered for a wall-mount, cassette or ceiling/floor mount unit if desired.

LIMITED WARRANTY

Compressor - seven years

All covered components - five years

Refer to Lennox Equipment Limited Warranty certificate included with equipment for details

DIMENSIONS

See page 41

ACCESSORIES

See page 39

Outdoor Unit

- Condenser Pad
- Disconnect
- Fuses
- Line Sets
- Wall Brackets
- Whips

Indoor Unit

- Condensate Pump
- Drain Line
- Indoor/Outdoor Wiring Cable

Installation Accessories

- Speedichannel™ System

NOTE - Due to Lennox' ongoing commitment to quality, Specifications, Ratings and Dimensions subject to change without notice and without incurring liability. Improper installation, adjustment, alteration, service or maintenance can cause property damage or personal injury. Installation and service must be performed by a qualified installer and servicing agency.

SPECIFICATIONS - MLA OUTDOOR UNITS

Nominal Size - Tons		0.75	1	1.5	2
Outdoor Unit Model No.		MLA009S4S	MLA012S4S	MLA018S4S	MLA024S4S
Ambient Temperature Operating Range - °F	Cooling	-22 - 122	-22 - 122	-22 - 122	-22 - 122
	Heating	-22 - 86	-22 - 86	-22 - 86	-22 - 86
Sound Data (dBA)	Cooling	52	52	56	57
	Heating	57	57	59	60
Refrigerant	Charge furnished (R-410A)	3 lbs. 3 oz.	3 lbs. 3 oz.	4 lbs. 3 oz.	5 lbs. 7 oz.
	Maximum line length with furnished charge - ft.	25	25	25	25
	Additional charge required per ft. - oz.	0.16	0.16	0.16	0.32
Compressor	No. and Type	Rotary	Rotary	Rotary	Rotary
	Refrigerant oil type	Ester Oil VG74	Ester Oil VG74	POE VG74	POE VG74
	Refrigerant oil charge - oz.	16.9	16.9	22.7	22.7
Connections - in.	Liquid/Gas pipe (flare)	1/4 / 3/8	1/4 / 1/2	1/4 / 1/2	3/8 / 5/8
	Maximum refrigerant pipe length - ft.	82	82	98	164
	Max. difference in level of indoor unit - ft.	33	33	66	82
Outdoor Fan	(No.) Diameter - in.	(1) 17	(1) 17	(1) 19	(1) 22
	Total air volume - cfm	1120	1180	1355	2355
	rpm	810	810	850	810
Outdoor Coil	Number of rows	2	2	2	2
	Fins per inch	18	18	18	19
	Fin type	Hydrophilic aluminium			
	Tube outside diameter - in.	3/8	3/8	3/8	3/8
	Tube type	Rifled copper tubing			
	Net face area - ft. ²	4.73	4.73	5.19	8.16
Design Pressure	PSIG	550/340	550/340	550/340	550/340
Shipping Data	Net/Shipping weight (lbs.)	88/94	88/94	108/115	136/149

ELECTRICAL DATA

Electrical Characteristics - 60 Hz - 1 Phase		208/230V	208/230V	208/230V	208/230V
¹ Maximum Overcurrent Protection (amps)		15	15	25	30
² Minimum circuit ampacity		9	9	18	20
Compressor Rated load amps		5.25	5.65	12.3	14
Outdoor Fan Motor	Rated load amps	0.38	0.38	0.42	0.5
	Output - W	40	40	44	120

NOTE - Extremes of operating range are plus and minus 10% of line voltage.


¹ HACR type circuit breaker or fuse.

² Refer to National or Canadian Electrical Code manual to determine wire, fuse and disconnect size requirements.




NOTE - Due to Lennox' ongoing commitment to quality, Specifications, Ratings and Dimensions subject to change without notice and without incurring liability. Improper installation, adjustment, alteration, service or maintenance can cause property damage or personal injury. Installation and service must be performed by a qualified installer and servicing agency.

SPECIFICATIONS - WALL-MOUNTED INDOOR UNITS



Model No.	MWMA009S4	MWMA012S4	MWMA018S4	MWMA024S4
Nominal Tons	0.75	1	1.5	2
Power Supply - 60 hz - 1 phase	208/230V	208/230V	208/230V	208/230V
Rated load amps	0.06	0.06	0.13	0.3
Output (W)	20	20	58	60
Room Temperature Range (°F)	Cooling	62 - 90	62 - 90	62 - 90
	Heating	32 - 86	32 - 86	32 - 86
Air Volume - cfm (High/Medium/Low)	370/270/195	370/275/200	530/410/295	695/625/485
Sound Data (dBA) - Low/Medium/High	26.5/33.4/41.7	28.6/35.8/45.1	30.9/36.3/46.2	35.1/44.5/51.7
Piping Connections - Liquid/Gas - o.d. - flare - in.	1/4 / 3/8	1/4 / 1/2	1/4 / 1/2	3/8 / 5/8
Drain connection o.d. - in.	1	1	1	1
Net/Shipping weights - lbs.	20 / 26	20 / 27	27 / 35	40 / 54

SPECIFICATIONS - CASSETTE INDOOR UNITS




Model No.	M22A009S4	M22A012S4	M22A018S4	M33A024S4
Nominal Tons	0.75	1	1.5	2
Power Supply - 60 hz - 1 phase	208/230V	208/230V	208/230V	208/230V
Rated load amps	0.9	1.0	1.5	2.0
Output (W)	46	46	46	42
Room Temperature Range (°F)	Cooling	62 - 90	62 - 90	62 - 90
	Heating	32 - 86	32 - 86	32 - 86
Air Volume - cfm (High/Medium/Low)	375/300/255	380/310/260	560/485/415	700/635/575
Sound Data (dBA) - Low/Medium/High	33/37/41	36/39/43	36/39/44	43/47/51
Piping Connections - Liquid/Gas - o.d. - flare - in.	1/4 / 3/8	1/4 / 1/2	1/4 / 1/2	3/8 / 5/8
Drain connection o.d. - in.	1	1	1	1-1/4
Net/Shipping weights - lbs. Body	32 / 38	36 / 41	36 / 42	47 / 55

REQUIRED COMPONENTS - ORDERED SEPARATELY


Cassette Panel	13X04 (M0STAT62Q-1)	13X04 (M0STAT62Q-1)	13X04 (M0STAT62Q-1)	13X05 (M0STAT63Q-1)
Net/Shipping weights - lbs.	6 / 10	6 / 10	6 / 10	12 / 18

NOTE - Due to Lennox' ongoing commitment to quality, Specifications, Ratings and Dimensions subject to change without notice and without incurring liability. Improper installation, adjustment, alteration, service or maintenance can cause property damage or personal injury. Installation and service must be performed by a qualified installer and servicing agency.

SPECIFICATIONS - CEILING/FLOOR MOUNT INDOOR UNITS

	Model No.	MCFB018S4	MCFA024S4
		Nominal Tons	1.5
	Power Supply - 60 hz - 1 phase	208/230V	208/230V
	Rated load amps	1.5	2
	Output (W)	55	55
Room Temperature Range (°F)	Cooling	62 - 90	62 - 90
	Heating	32 - 86	32 - 86
	Air Volume - cfm (High/Medium/Low)	580/520/465	760/710/600
	Sound Data (dBA) - Low/Medium/High	39/44/47	42/48/53
	Piping Connections - Liquid/Gas - o.d. - flare - in.	1/4 / 1/2	3/8 / 5/8
	Drain connection o.d. - in.	1	1
	Net/Shipping weights - lbs.	55 / 66	59 / 70

SPECIFICATIONS - MEDIUM STATIC DUCTED INDOOR UNITS

	Model No.	MMDB009S4	MMDB012S4	MMDB018S4	MMDB024S4
		Nominal Tons	0.75	1	1.5
	Power Supply - 60 hz - 1 phase	208/230V	208/230V	208/230V	208/230V
	Rated load amps	1.11	1.11	1.2	1.5
	Output (W)	55	55	160	160
Room Temperature Range (°F)	Cooling	62 - 90	62 - 90	62 - 90	62 - 90
	Heating	32 - 86	32 - 86	32 - 86	32 - 86
	Air Volume - cfm (High/Medium/Low)	355/285/175	355/285/175	530/450/370	775/695/435
	External Static Pressure (in. w.g)	0 - 0.16	0 - 0.16	0 - 0.40	0 - 0.64
	Sound Data (dBA) - Low/Medium/High	25/32/38	26/33.5/38	35/37/39	36/41/44
	Piping Connections - Liquid/Gas - o.d. - flare - in.	1/4 / 3/8	1/4 / 3/8	1/4 / 1/2	3/8 / 5/8
	Drain connection o.d. - in.	1	1	1	1
	Net/Shipping weights - lbs.	38 / 49	38 / 49	54 / 66	87 / 103

NOTE – Due to Lennox' ongoing commitment to quality, Specifications, Ratings and Dimensions subject to change without notice and without incurring liability. Improper installation, adjustment, alteration, service or maintenance can cause property damage or personal injury. Installation and service must be performed by a qualified installer and servicing agency.

OPTIONAL ACCESSORIES - ORDER SEPARATELY

Description	Catalog No.	Size				
		09	12	18	24	
OUTDOOR UNIT						
Condenser Pad (18 x 38 x 3)	Y5014	•	•	•	•	
Disconnects	30 amp, fused, 1 ph	27P37	•	•	•	
	60 amp, non-fused, 1 ph	27P39	•	•	•	
Fuses	30A	83P75	•	•	•	
	60A	83P77	•	•	•	
Hail Guards	M9GARD14Q-1	15D25	•	•	N/A	
	M9GARD15Q-1	15D26	N/A		•	
	M9GARD17Q-1	15D28	N/A		•	
Line Sets	1/4 in. x 3/8 in. x 25 ft.	90X53	•	N/A		
	1/4 in. x 3/8 in. x 50 ft.	X0258	•	N/A		
	1/4 in. x 1/2 in. x 25 ft.	90X52	N/A	•	•	N/A
	1/4 in. x 1/2 in. x 50 ft.	X0259	N/A	•	•	N/A
	3/8 in. x 5/8 in. x 25 ft.	X8406	N/A			•
	3/8 in. x 5/8 in. x 50 ft.	X8407	N/A			•
Wall Brackets	30 inch	X1727	•	•	•	•
Whips	10 Gauge - 1/2 in. x 6 ft.	29P54	•	•	•	•
	8 Gauge - 3/4 in. x 6 ft.	27P44	•	•	•	•
INDOOR UNIT						
¹ Diversitech Condensate Pumps with Reservoir	ClearVue Mini™ - 7.9 US gallons per hour, 35 ft. lift - 120/240V	Y5170	•	•	•	•
	Mini-Split Pump - 4 US gallons per hour, 20 ft. lift - 115V	Y7946	•	•	N/A	
	Mini-Split Pump - 4 US gallons per hour, 20 ft. lift - 230V	Y7949	•	•	•	•
¹ Blue Diamond® Condensate Pumps with Reservoir	MicroBlue® - 1.3 US gallons per hour, 6 ft. lift - 110v-230V	14T74	•	•	•	N/A
	MaxiBlue® - 3.7 US gallons per hour, 16.5 ft. lift - 208-230V	14T69	N/A			•
	MultiTank Kit	14T75	N/A			•
	Sensor Cable Extension - 16 ft.	14T76	•	•	•	•
A/C Easy Tee® Condensate Cleanout		Y7947	•	•	•	•
CONTROLS						
Wired Remote Controller (Furnished With All Ducted Models)	M0STAT61Q-1	14A66	•	•	•	•
Extension Cable for Wired Remote Controller - 20 ft.		Y8008	•	•	•	•
NOTE - The Wired Remote Controller above is furnished as standard with the indoor ducted models. As an option, the Wired Remote Controller can be ordered for a wall-mount, cassette or ceiling/floor mount unit if desired.						
Wired Programmable Controller	M0STAT64Q-1	15D30	•	•	•	•
Extension Cable for Wired Programmable Controller - 20 ft.	M0CTRL64Q-1	Y8738	•	•	•	•
Indoor/Outdoor Wiring Cable - 14 Gauge, 4 conductor wire, THHN, 250 ft.		Y2067	•	•	•	•
SPEEDICHANNEL™ SYSTEM						
SpeediChannel™ Starter Kit - 4 in.		Y3387	•	•	•	•
SpeediChannel - 4 in. x 6-1/2 ft. (qty. 6)		Y3388	•	•	•	•
Union Coupling - 4 in.		Y3389	•	•	•	•
90° Flat Bend Elbow - 4 in.		Y3390	•	•	•	•
90° Inside Elbow - 4 in.		Y3391	•	•	•	•
45° Flat Bend Elbow - 4 in.		Y3392	•	•	•	•
Flex Joint - 4 in.		Y3393	•	•	•	•
T-Joint - 4 in.		Y3394	•	•	•	•
Duct End - 4 in.		Y3395	•	•	•	•
Flat Wall Escutcheon - 4 in.		Y3396	•	•	•	•
Wall Penetration Cover - 4 in.		Y3399	•	•	•	•
Mount Block (White) Qty, 2 - 14 in.		Y3397	•	•	•	•
Mount Block (White) Qty, 2 - 36 in.		Y3398	•	•	•	•

¹ Y7946, Y7949 and 14T74 condensate pumps can be installed inside the indoor units. All other pumps must be installed external to the indoor unit.

AHRI SYSTEM MATCHES

Indoor Unit Type	Outdoor Unit	Indoor Unit	Cooling Capacity	SEER	EER	Heat Capacity		HSPF (IV)	AHRI Reference
						High	Low		
Wall-Mounted Non-Ducted	MLA009S4S-1P	MWMA009S4-3P	9,000	24	14.5	10,900	6,900	10.5	201796632
	MLA012S4S-1P	MWMA012S4-3P	12,000	22	12.5	12,000	7,800	10	201796633
	MLA018S4S-1P	MWMA018S4-2P	17,000	20	12.5	18,000	10,800	10	9920044
	MLA024S4S-1P	MWMA024S4-2P	24,000	20	12.5	24,000	15,400	10	9920047
Cassette Non-Ducted	MLA009S4S-1P	M22A009S4-2P	9,000	19.5	13	10,000	6,700	10	9920039
	MLA012S4S-1P	M22A012S4-2P	12,000	19	12.5	12,000	8,200	10	9920042
	MLA018S4S-1P	M22A018S4-2P	16,000	19	12.5	18,000	12,000	9.6	9920045
	MLA024S4S-1P	M33A024S4-2P	24,000	19.5	11	24,000	16,200	10.5	9920048
Ceiling/Floor Mount Non-Ducted	MLA018S4S-1P	MCFB018S4-2P	17,000	18.5	12.5	18,000	12,900	10	9956319
	MLA024S4S-1P	MCFA024S4-2P	24,000	19	11.5	24,000	17,200	11	9920049
Medium Static Ducted	MLA009S4S-1P	MMDB009S4-2P	9,000	23	13.5	10,000	7,200	12	10528569
	MLA012S4S-1P	MMDB012S4-2P	12,000	20.5	12.5	12,000	8,500	11.0	10528570
	MLA018S4S-1P	MMDB018S4-2P	16,500	19.6	12.5	19,000	13,400	11.0	10528571
	MLA024S4S-1P	MMDB024S4-2P	24,000	20.5	12.5	24,000	17,200	12.5	10528572

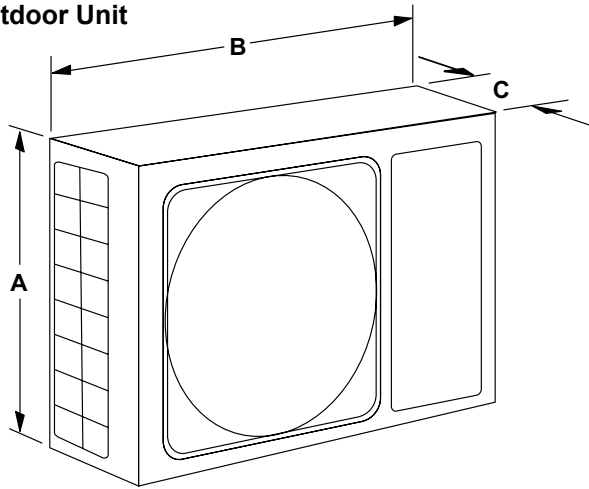
Ratings are AHRI certified to AHRI Standard 210/240-2008;

- Cooling Ratings - 80°F dry bulb/67°F wet bulb entering indoor coil air and 95°F wet bulb/75°F dry bulb outdoor air temperature.
- High Temperature Heating Ratings - 70°F dry bulb/60°F wet bulb entering indoor coil air and 47°F dry bulb/43°F wet bulb outdoor air temperature.
- Low Temperature Heating Ratings - 70°F dry bulb/60°F wet bulb entering indoor coil air and 17°F dry bulb/15°F wet bulb outdoor air temperature.

To convert HSPF from Region IV to Region V - Divide by 1.15.

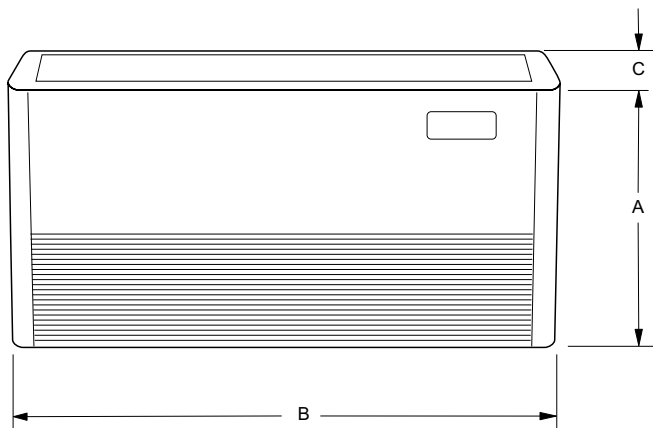
DIMENSIONS

Outdoor Unit



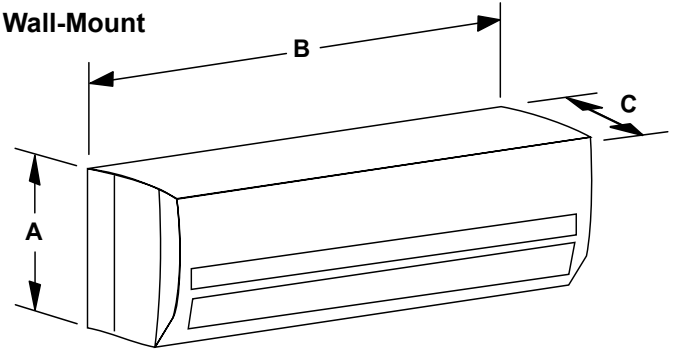
Model No.	A		B		C	
	in.	mm	in.	mm	in.	mm
MLA009S4S, MLA012S4S	21-3/4	562	34-1/4	870	14-5/8	371
MLA018S4S	27-5/8	702	36	914	16	406
MLA024S4S	31-7/8	810	40-3/4	1035	18	457

Ceiling/Floor



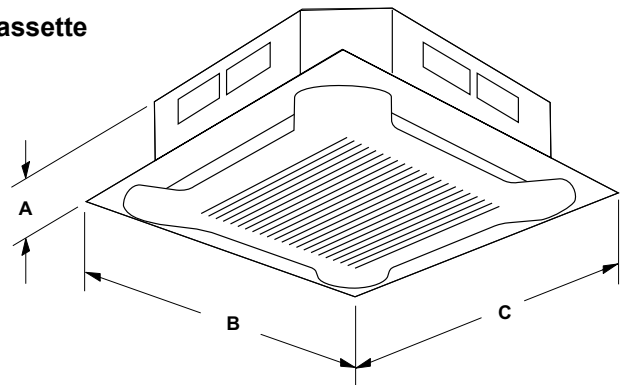
Model No.	A		B		C	
	in.	mm	in.	mm	in.	mm
MCFB018S4	26-5/8	676	42	1067	9-1/4	235
MCFA024S4	26-5/8	676	42-1/8	1070	9-1/4	235

Wall-Mount



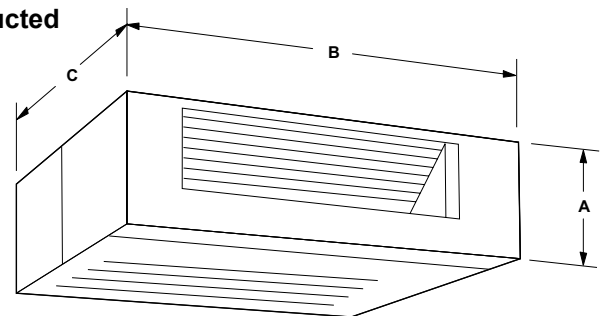
Model No.	A		B		C	
	in.	mm	in.	mm	in.	mm
MWMA009S4, MWMA012S4	11	279	32-7/8	835	7-7/8	200
MWMA018S4	12-3/8	314	39	991	8-5/8	219
MWMA024S4	13-1/2	343	46-3/4	1187	10-1/4	260

Cassette



Model No.	A		B		C	
	in.	mm	in.	mm	in.	mm
M22A009S4, M22A012S4, M22A018S4	23-1/2	572	25-1/2	648	25-1/2	648
M33A024S4	8-1/8	206	37-3/8	949	37-3/8	949

Ducted



Model No.	A		B		C	
	in.	mm	in.	mm	in.	mm
MMDB009S4, MMDB012S4	7-7/8	200	30-3/4	781	19-7/8	505
MMDB018S4	8-1/4	210	37-7/8	962	26-1/2	673
MMDB024S4	9-3/4	248	46-1/2	1181	30-1/2	775

NOTE - Due to Lennox' ongoing commitment to quality, Specifications, Ratings and Dimensions subject to change without notice and without incurring liability. Improper installation, adjustment, alteration, service or maintenance can cause property damage or personal injury. Installation and service must be performed by a qualified installer and servicing agency.

FEATURES**OUTDOOR UNITS****Compressor**

Variable frequency rotary compressor

Compressor crankcase heater

Controls

DC inverter control

Inverter Module Protection

Outdoor unit microprocessor

Electronic expansion valve

Compressor overcurrent protection

Condenser high temperature protection

Compressor discharge temperature protection

Low and high voltage protection

Terminal strip

Outdoor Unit Cabinet

Heavy gauge steel

Condensate drain outlets

Access cover for power and control wiring

Access cover for service valves

WALL-MOUNT INDOOR UNIT**Blower**

Multi-speed fan

Filter

Cleanable filter

Controls

Indoor unit microprocessor

LED Readout

Auto restart

Cooling override

Flare connections

Multi-Refrigerant Outlet

Terminal strip

Indoor coil freeze protection

Time delay

Auto operation

CONTROLS (FURNISHED)**Wireless Remote Controller -**

Furnished with Wall-Mounted Indoor

Complete remote control of system.

Maximum operating range is 25 ft.

NOTE - As an option, a wired control can be ordered for a wall-mount if desired.

LIMITED WARRANTY

Compressor - five years

All covered components - five years

Refer to Lennox Equipment Limited

Warranty certificate included with

equipment for details

**DIMENSIONS**

See page 45

ACCESSORIES

See page 46

Outdoor Unit

- Condenser Pad
- Disconnect
- Fuses
- Line Sets
- Wall Brackets
- Whips

Indoor Unit

- Condensate Pump
- Drain Line
- Indoor/Outdoor Wiring Cable

Controls

- Wired Programmable Controller
- Wired Non-Programmable Controller

Installation Accessories

- Speedichannel™ System

SPECIFICATIONS - OUTDOOR UNITS

Outdoor Unit Model No.	MCA009S4S	MCA012S4S	MCA018S4S	MCA024S4S	
Nominal Size - Tons	0.75	1	1.5	2	
Ambient Temperature Operating Range - °F	5 - 122	5 - 122	5 - 122	5 - 122	
Energy Star	No	No	No	No	
Sound Data (dBA)	51	51.5	53.5	57	
Refrigerant (R-410A)	Charge furnished (115V)	---	1 lb. 5 oz.	---	
	Charge furnished (208/230V)	1 lb. 2 oz.	1 lb. 3 oz.	2 lbs. 9 oz.	
	Maximum line length with furnished charge - ft.	20	20	20	30
	Additional charge required per ft. - oz.	0.21	0.21	0.21	0.32
Compressor	No. and Type	(1) Rotary	(1) Rotary	(1) Rotary	
	Refrigerant oil type	VG74	VG74	VG74	
	Refrigerant oil charge - oz.	5.7	12.5 (115V) 5.7 (208/230V)	14.9	15.2
Connections - in.	Liquid/Gas pipe (flare)	1/4 / 3/8	1/4 / 1/2	1/4 / 1/2	3/8 / 5/8
	Maximum refrigerant pipe length - ft.	82	82	98	98
	Max. difference in level of indoor unit - ft.	33	33	66	66
Outdoor Fan	(No.) Diameter - in.	(1)	(1)	(1)	(1)
	Total air volume - cfm	1230	1175 (115V) 1230 (208/230V)	1195	1824
	rpm	850/700	850/700	850/700	800/550
Outdoor Coil	Number of rows	1	1	1	1
	Fins per inch	21	21	21	21
	Fin type	Hydrophilic aluminium			
	Tube outside diameter - in.	1/4	1/4	1/4	1/4
	Tube type	Rifled copper tubing			
	Net face area - ft. ²	4.15	4.15	4.15	5.48
Application area - sq. ft.	130 - 195	170 - 250 (115V) 160 - 240 (208/230V)	250 - 355	310 - 460	
Design Pressure	PSIG	550/340	550/340	550/340	550/340
Shipping Data	Net/Shipping weight (lbs.) (115V)	---	63 / 68	---	---
	(208/230V)	54 / 59	55 / 60	66 / 73	89 / 96
ELECTRICAL DATA					
Electrical Characteristics - 60 Hz - 1 Phase	208/230V	115V	208/230V	208/230V	208/230V
¹ Maximum Overcurrent Protection (amps)	15	20	15	20	25
² Minimum circuit ampacity	10	15	11	15	18
Compressor Rated load amps	6.2	5.05	6.8	9.0	12.0
Outdoor Fan Motor	Rated load amps	0.39	0.39	0.39	0.60
	Output - W	58	58	58	115

NOTE - Extremes of operating range are plus and minus 10% of line voltage.

¹ HACR type circuit breaker or fuse.

² Refer to National or Canadian Electrical Code manual to determine wire, fuse and disconnect size requirements.



NOTE - Due to Lennox' ongoing commitment to quality, Specifications, Ratings and Dimensions subject to change without notice and without incurring liability. Improper installation, adjustment, alteration, service or maintenance can cause property damage or personal injury. Installation and service must be performed by a qualified installer and servicing agency.

SPECIFICATIONS - WALL-MOUNTED INDOOR UNITS

Indoor Unit Model No.	MWCA009S4	MWCA012S4		MWCA018S4	MWCA024S4
Nominal Size - Tons	0.75	1		1.5	2
Power Supply - 60 hz - 1 phase	208/230V	115V	208/230V	208/230V	208/230V
Rated load amps	0.22	0.43	0.22	0.40	0.40
Output (W)	47.4	46	47.4	36	89
Room Temperature Range (°F) Cooling	62 - 90	62 - 90	62 - 90	62 - 90	62 - 90
Air Volume - cfm (High/Medium/Low)	241/206/147	235/206/147	241/194/206	530/441/353	581/456/331
Sound Data (dBA) - Low/Medium/High	26.5/32/38	24.5/33/38.5	24.5/34.5/37.5	30.5/34.5/42	34/40.5/46
Piping Connections - Liquid/Gas - o.d. - flare - in.	1/4 / 3/8	1/4 / 1/2	1/4 / 1/2	1/4 / 1/2	3/8 / 5/8
Drain connection o.d. - in.	1	1	1	1	1
Net/Shipping weights - lbs.	17 / 22	19 / 25	18 / 24	26 / 31	32 / 40

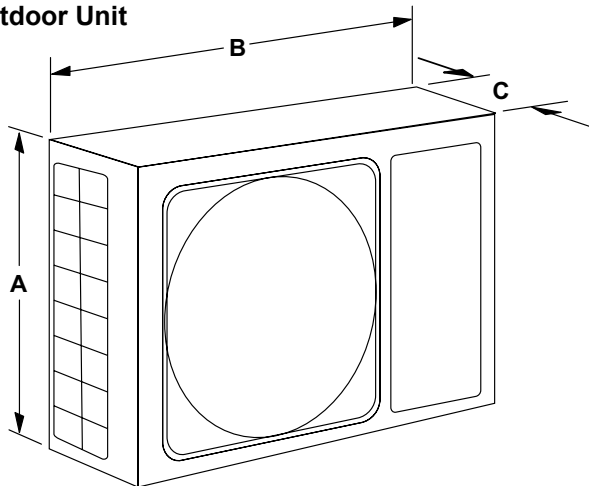
AHRI SYSTEM MATCHES

Indoor Unit Type	Outdoor Unit	Indoor Unit	Cooling Capacity	SEER	EER	AHRI Reference
Wall-Mounted Ductless	MCA009S4S-1P	MWCA009S4-1P	9,000	19.00	11.10	202515503
	MCA012S4S-1L	MWCA012S4-1L	12,000	16.50	10.00	202515502
	MCA012S4S-1P	MWCA012S4-1P	11,500	19.00	11.10	202515504
	MCA018S4S-1P	MWCA018S4-1P	17,000	20.00	10.80	202515505
	MCA024S4S-1P	MWCA024S4-1P	22,000	19.00	10.90	202515506

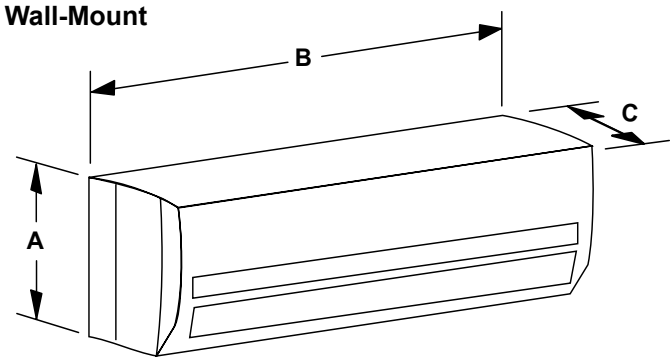
Ratings are AHRI certified to AHRI Standard 210/240 (with 25 ft. of connecting refrigerant lines); 95°F outdoor air temperature, 80°F db / 67°F wb entering evaporator air.

DIMENSIONS

Outdoor Unit



Wall-Mount



Model No.	A		B		C	
	in.	mm	in.	mm	in.	mm
MCA009S4S, MCA012S4S, MCA018S4S	21-7/8	556	30-5/8	778	11-7/8	302
MCA024S4S	27-5/8	702	33-5/8	854	14-1/4	362

Model No.	A		B		C	
	in.	mm	in.	mm	in.	mm
MWCA009	11-3/8	289	29-5/8	752	8-5/8	219
MWCA012	11-3/4	298	32-3/4	832	8-3/4	222
MWCA018	12-1/2	318	39-1/8	994	9-7/8	251
MWCA024	13-1/4	337	44	1118	10-1/4	260

NOTE - Due to Lennox' ongoing commitment to quality, Specifications, Ratings and Dimensions subject to change without notice and without incurring liability. Improper installation, adjustment, alteration, service or maintenance can cause property damage or personal injury. Installation and service must be performed by a qualified installer and servicing agency.

OPTIONAL ACCESSORIES - ORDER SEPARATELY

Description	Catalog No.	Size				
		09	12	18	24	
OUTDOOR UNIT						
Condenser Pad (18 x 38 x 3)	Y5014	•	•	•	•	
Disconnects	30 amp, fused, 1 ph	27P37	•	•	•	
	60 amp, non-fused, 1 ph	27P39	•	•	•	
Fuses	30A	83P75	•	•	•	
	60A	83P77	•	•	•	
Hail Guards	M9GARD14Q-1	15D25	N/A	•	N/A	
	M9GARD19Q-1	15D32	•	N/A		
	M9GARD15Q-1	15D26	N/A		•	
	M9GARD17Q-1	15D28	N/A			•
Line Sets	1/4 in. x 3/8 in. x 25 ft.	90X53	•	N/A		
	1/4 in. x 3/8 in. x 50 ft.	X0258	•	N/A		
	1/4 in. x 1/2 in. x 25 ft.	90X52	N/A	•	•	N/A
	1/4 in. x 1/2 in. x 50 ft.	X0259	N/A	•	•	N/A
	3/8 in. x 5/8 in. x 25 ft.	X8406	N/A			•
	3/8 in. x 5/8 in. x 50 ft.	X8407	N/A			•
Wall Brackets	30 inch	X1727	•	•	•	•
Whips	10 Gauge - 1/2 in. x 6 ft.	29P54	•	•	•	•
	8 Gauge - 3/4 in. x 6 ft.	27P44	•	•	•	•
INDOOR UNIT						
¹ Diversitech ClearVue Mini™ - 7.9 US gallons per hour, 35 ft. lift - 120/240V Condensate Pumps with Reservoir	Mini-Split Pump - 4 US gallons per hour, 20 ft. lift - 115V	Y5170	•	•	•	•
	Mini-Split Pump - 4 US gallons per hour, 20 ft. lift - 230V	Y7946	N/A	•	N/A	
		Y7949	•	•	•	•
¹ Blue Diamond® MicroBlue® - 1.3 US gallons per hour, 6 ft. lift - 110v-230V Condensate Pumps with Reservoir	MaxiBlue® - 3.7 US gallons per hour, 16.5 ft. lift - 208-230V	14T74	•	•	•	N/A
	MultiTank Kit	14T69	N/A			•
	Sensor Cable Extension - 16 ft.	14T75	N/A			•
		14T76	•	•	•	•
A/C Easy Tee® Condensate Cleanout		Y7947	•	•	•	•
CONTROLS						
Wired Programmable Controller	M0STAT64Q-1	15D30	•	•	•	•
Wired Non-Programmable Remote Controller	M0STAT61Q-1	14A66	•	•	•	•
Extension Cable for Wired Programmable Controller - 20 ft.	M0CTRL64Q-1	Y8738	•	•	•	•
Indoor/Outdoor Wiring Cable - 14 Gauge, 4 conductor wire, THHN, 250 ft.		Y2067	•	•	•	•
SPEEDICHANNEL™ SYSTEM						
SpeediChannel™ Starter Kit - 4 in.		Y3387	•	•	•	•
SpeediChannel - 4 in. x 6-1/2 ft. (qty. 6)		Y3388	•	•	•	•
Union Coupling - 4 in.		Y3389	•	•	•	•
90° Flat Bend Elbow - 4 in.		Y3390	•	•	•	•
90° Inside Elbow - 4 in.		Y3391	•	•	•	•
45° Flat Bend Elbow - 4 in.		Y3392	•	•	•	•
Flex Joint - 4 in.		Y3393	•	•	•	•
T-Joint - 4 in.		Y3394	•	•	•	•
Duct End - 4 in.		Y3395	•	•	•	•
Flat Wall Escutcheon - 4 in.		Y3396	•	•	•	•
Wall Penetration Cover - 4 in.		Y3399	•	•	•	•
Mount Block (White) Qty, 2 - 14 in.		Y3397	•	•	•	•
Mount Block (White) Qty, 2 - 36 in.		Y3398	•	•	•	•

¹ Y7946, Y7949 and 14T74 condensate pumps can be installed inside the indoor units. All other pumps must be installed external to the indoor unit.



PACKAGED GAS/ELECTRIC LRP16GE

PRODUCT CATALOG

R-410A - Two-Stage Heating/Cooling - AFUE - 81% / SEER - 16.0
2 to 5 Tons - Net Cooling Capacity - 23,800 to 57,000 Btuh
Heating Input Capacity - 72,000 to 126,000 Btuh

Page 1

April 2019

Supersedes February 2019

FEATURES

Refrigerant System

Non-chlorine, ozone friendly, R-410A refrigerant.

Two-Stage Scroll Compressor

Copper tube with enhanced fin coils with drain pan overflow switch

Thermal Expansion Valve

High Pressure Switch

Totally enclosed outdoor coil fan motor

Heavy-Duty Fan

Heating System

Aluminized Steel Heat Exchanger

Aluminized Steel Inshot Burners

Two-Stage Combustion Air Inducer

Two-Stage Gas Valve

Heating Control

Limit Controls

Supply Air Blower

Variable speed, direct drive blower motor.

Controls

Ignition control with diagnostic LED's.

Electronic Blower Control

40VA transformer furnished.

Cabinet

Conditioned areas insulated to reduce sound levels and minimize heat loss.

Steel louvered panels provides complete coil protection.

Interchangeable panels for horizontal to downflow airflow conversion furnished (shipped for horizontal).

Powder paint for maximum durability



ACCESSORIES

See page 5

- Compressor Crankcase Heater
- Compressor Hard Start Kits
- Compressor Timed-off Control
- Downflow Conversion
- Lifting Brackets
- Healthy Climate® PCO Accessory
- Internal Filter Rack Kits
- LPG/Propane Conversion Kit
- Roof Curbs
- Thermostat

LIMITED WARRANTY

Heat Exchanger - twenty years

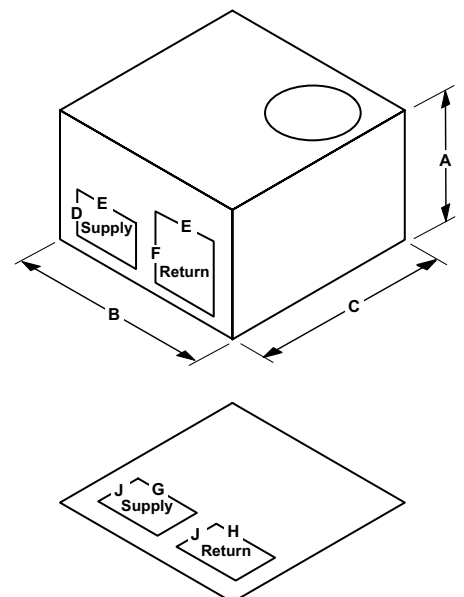
Compressor - ten years

All other covered components - five years

Refer to Lennox Equipment Limited Warranty certificate included with equipment for details

Model No.	24 36	48 60
A	36-7/8 (937)	40-7/8 (1038)
B	46-3/4 (1187)	55-1/4 (1403)
C	46-3/4 (1187)	46-3/4 (1187)
D	14-1/4 (362)	14-1/4 (362)
E	13-3/8 (340)	18-1/8 (467)
F	17 (432)	17 (432)
G	14 (356)	19-1/2 (495)
H	16-3/4 (425)	19-3/4 (502)
J	11-1/2 (292)	11-1/2 (292)

DIMENSIONS



NOTE - Due to Lennox' ongoing commitment to quality, Specifications, Ratings and Dimensions subject to change without notice and without incurring liability. Improper installation, adjustment, alteration, service or maintenance can cause property damage or personal injury. Installation and service must be performed by a qualified installer and servicing agency.

SPECIFICATIONS

General Data		Model No.	LRP16GE24	LRP16GE36	LRP16GE48	LRP16GE60
Nominal Tonnage			2	3	4	5
Gas Heat Available - See Next Page			-72(X)	-72(X), -90(X)	-108(X)	-126(X)
Cooling Performance	Total cooling capacity - Btuh		23,800	35,400	47,500	57,000
	Total Unit Watts		1900	2950	3960	4750
	¹ SEER (Btuh/Watt)		16.0	16.0	16.0	16.0
	EER (Btuh/Watt)		12.5	12.0	12.0	12.0
	² Sound Rating Number (dB)		74	75	75	74
Refrigerant	Type		R-410A	R-410A	R-410A	R-410A
	Charge		5 lbs. 7 oz.	5 lbs. 12 oz.	6 lbs. 10 oz.	9 lbs. 1 oz.
Condensate drain size (fpt) - in.			3/4	3/4	3/4	3/4
Outdoor Coil	Net Face Area - sq. ft.		14.6	16.4	19.5	19.1
	Tube Dia. - in. and No. of Rows		5/16 – 1	5/16 – 1	5/16 – 1	5/16 – 2
	Fins per inch		26	26	26	22
Outdoor Coil Fan	Motor horsepower		1/6	1/6	1/4	1/4
	Dia. - in. and No. of blades		22 – 3	22 – 3	24 – 3	24 – 3
Indoor Blower	Blower wheel size dia. x width - in.		10 x 6	10 x 8	10 x 10	12 x 9
	Motor horsepower		1/2	1/2	3/4	1
Net weight of basic unit - lbs.			375	384	486	522
Shipping weight of basic unit (1 Pkg.) - lbs.			445	456	528	595
Electrical characteristics (60 hz)			208/230V-1ph-60Hz			

ELECTRICAL DATA

Line voltage data - 60hz 1 phase	208/230V	208/230V	208/230V	208/230V
³ Maximum overcurrent protection (amps)	25	35	50	60
⁴ Minimum Circuit Ampacity	17.0	22.7	31.2	41.7
Compressor	Rated load amps	11.7	15.3	21.2
	Locked rotor amps	58.3	83.0	104.0
Outdoor Coil Fan Motor	Full load amps	1.0	1.0	1.7
Indoor Blower Motor	Locked rotor amps	1.9	1.9	3.2
	Full load amps	1.1	2.3	3.1
Motor	Full load amps	1.1	2.3	3.1
	Locked rotor amps	4.3	4.3	6.8

NOTE-Extremes of operating range are plus and minus 10% of line voltage.

¹ AHRI Certified to AHRI Standard 210/240; 95°F outdoor air temperature, 80°F db/67°F wb entering evaporator air.

² Sound Rating Number rated in accordance with test conditions included in AHRI Standard 270.

³ HACR type circuit breaker or fuse.

⁴ Refer to National or Canadian Electrical Code manual to determine wire, fuse and disconnect size requirements.

SPECIFICATIONS - GAS HEAT

Model		24, 36	36	48	60
Heating Input			-072	-090	-108
Heating Capacity Btuh	First Stage - Input	54,000	67,500	81,000	94,500
	Output	43,500	54,500	65,500	76,500
	Second Stage - Input	72,000	90,000	108,000	126,000
	Output	58,000	73,000	88,000	102,000
¹ AFUE		81%	81%	81%	81%
Temperature Rise - °F	First Stage	35 - 45	35 - 45	45 - 55	45 - 55
	Second Stage	45 - 55	45 - 55	50 - 60	50 - 60
Gas Supply Connection (FPT) - in.		1/2	1/2	1/2	1/2
Min. Recommended Gas Supply Pressure		5 in. w.g. Natural Gas, 11 in. w.g. LPG/Propane			

OPTIONAL ACCESSORIES - ORDER SEPARATELY

LPG/Propane Conversion Kit	15C55	15C55	15C55	15C55
----------------------------	-------	-------	-------	-------

¹ Annual Fuel Utilization Efficiency based on U.S. DOE test procedures and FTC labeling regulations.



NOTE – Due to Lennox' ongoing commitment to quality, Specifications, Ratings and Dimensions subject to change without notice and without incurring liability. Improper installation, adjustment, alteration, service or maintenance can cause property damage or personal injury. Installation and service must be performed by a qualified installer and servicing agency.



PACKAGED GAS/ELECTRIC LRP14GE

PRODUCT CATALOG

R-410A - AFUE - 81% / SEER - 14.0
2 to 5 Tons - Net Cooling Capacity - 22,600 to 57,000 Btuh
Heating Input Capacity - 54,000 to 126,000 Btuh

Page 3
April 2019
Supersedes February 2019

FEATURES

Refrigerant System

Non-chlorine, ozone friendly, R-410A refrigerant.

Scroll compressor

Copper tube with enhanced fin coils

Thermal Expansion Valve

High Pressure Switch

Totally enclosed outdoor coil fan motor

Heavy-Duty Fan

Heating System

Aluminized Steel Heat Exchanger

Aluminized Steel Inshot Burners

Combustion Air Inducer

Heating Control

Limit Controls

Supply Air Blower

Multi-speed, direct drive blower motor.

Controls

Ignition control with diagnostic LED's.

40VA transformer furnished.

Cabinet

Conditioned areas insulated to reduce sound levels and minimize heat loss.

Steel louvered panels provides complete coil protection.

Interchangeable panels for horizontal to downflow airflow conversion furnished (shipped for horizontal).

Powder paint for maximum durability



ACCESSORIES

See page 5

- Compressor Crankcase Heater
- Compressor Hard Start Kits
- Compressor Timed-off Control
- Downflow Conversion
- Drain Pan Overflow Switch
- Lifting Brackets
- Internal Filter Kits
- LPG/Propane Conversion Kit
- Roof Curbs
- Thermostat

LIMITED WARRANTY

Heat Exchanger - twenty years

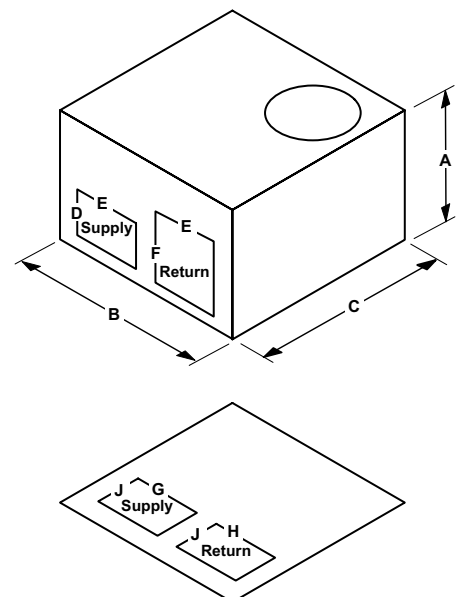
Compressor - ten years

All other covered components - five years

Refer to Lennox Equipment Limited Warranty certificate included with equipment for details

DIMENSIONS

Model No.	24 30 36	42 48 60
A	36-7/8 (937)	40-7/8 (1038)
B	46-3/4 (1187)	55-1/4 (1403)
C	46-3/4 (1187)	46-3/4 (1187)
D	14-1/4 (362)	14-1/4 (362)
E	13-3/8 (340)	18-1/8 (467)
F	17 (432)	17 (432)
G	14 (356)	19-1/2 (495)
H	16-3/4 (425)	19-3/4 (502)
J	11-1/2 (292)	11-1/2 (292)



NOTE - Due to Lennox' ongoing commitment to quality, Specifications, Ratings and Dimensions subject to change without notice and without incurring liability. Improper installation, adjustment, alteration, service or maintenance can cause property damage or personal injury. Installation and service must be performed by a qualified installer and servicing agency.

SPECIFICATIONS

General Data		Model No.	LRP14GE24	LRP14GE30	LRP14GE36	LRP14GE42	LRP14GE48	LRP14GE60
Nominal Tonnage			2	2.5	3	3.5	4	5
Gas Heat Available - See Next Page			-054(X), -072	-054(X), -072	054, -072(X), -090	-072(X), -090	-108(X), -126	-108(X), -126
Cooling Performance	Total cooling capacity - Btuh		22,600	28,400	34,000	40,000	46,000	57,000
	Total Unit Watts		2055	2580	3090	3635	4180	5180
	¹ SEER (Btuh/Watt)		14.00	14.00	14.00	14.00	14.00	14.00
	EER (Btuh/Watt)		11.00	11.00	11.00	11.00	11.00	11.00
	² Sound Rating Number (dB)		78	78	78	78	78	78
Refrigerant	Type		R-410A	R-410A	R-410A	R-410A	R-410A	R-410A
	Charge		4 lbs. 6 oz.	4 lbs. 13 oz.	4 lbs. 15 oz.	6 lbs. 12 oz.	6 lbs. 10 oz.	7 lbs. 13 oz.
Condensate drain size (fpt) - in.			3/4	3/4	3/4	3/4	3/4	3/4
Outdoor Coil Fan	Motor horsepower		1/6	1/6	1/6	1/4	1/4	1/4
	Diameter - in. and No. of blades		22 - 4	22 - 4	22 - 4	24 - 3	24 - 3	24 - 3
Indoor Blower	Blower wheel size dia. x width - in.		10 x 6	10 x 6	10 x 8	10 x 10	10 x 10	12 x 9
	Motor horsepower		1/4	1/4	1/3	1/3	1/2	1
Net weight of basic unit - lbs.			358	370	389	460	476	513
Shipping weight of basic unit (1 Pkg.) - lbs.			421	433	452	533	549	586
Electrical characteristics (60 hz)			208/230V-1ph-60hz					

ELECTRICAL DATA

Line voltage data - 60hz 1 phase	208/230V	208/230V	208/230V	208/230V	208/230V	208/230V
³ Maximum overcurrent protection (amps)	25	30	30	40	40	60
⁴ Minimum Circuit Ampacity	16.7	18.7	20.6	24.4	26.9	38.9
Compressor Rated load amps	11.2	12.8	14.1	15.9	17.9	23.7
Outdoor Coil Fan Motor Full load amps	1.0	1.0	1.0	1.7	1.7	1.7
Indoor Blower Motor Full load amps	1.7	1.7	2.0	2.8	2.8	7.6

NOTE-Extremes of operating range are plus and minus 10% of line voltage.

¹ AHRI Certified to AHRI Standard 210/240; 95°F outdoor air temperature, 80°F db/67°F wb entering evaporator air.

² Sound Rating Number rated in accordance with test conditions included in AHRI Standard 270.

³ HACR type circuit breaker or fuse.

⁴ Refer to National or Canadian Electrical Code manual to determine wire, fuse and disconnect size requirements.

SPECIFICATIONS - GAS HEAT

Model	24, 30, 36	24, 30	36, 42	36, 42	48, 60	48, 60
Heating Input	-054	-072	-072	-090	-108	-126
Heating Capacity	Input	54,000	72,000	72,000	90,000	108,000
	Output	43,800	58,400	58,400	72,900	87,500
Btuh		102,100	102,100	102,100	102,100	102,100
¹ AFUE	81%	81%	81%	81%	81%	81%
Temperature Rise - °F	30-60	40-70	35-65	40-70	40-70	45-75
Gas Supply Connection (FPT) - in.	1/2	1/2	1/2	1/2	1/2	1/2
Min. Recommended Gas Supply Pressure	5 in. w.g. Natural Gas, 11 in. w.g. LPG/Propane					

OPTIONAL ACCESSORIES - ORDER SEPARATELY

LPG/Propane Conversion Kit	11U77	11U77	11U77	11U77	11U77	11U77
-----------------------------------	--------------	--------------	--------------	--------------	--------------	--------------

¹ Annual Fuel Utilization Efficiency based on U.S. DOE test procedures and FTC labeling regulations.



Intertek

NOTE - Due to Lennox' ongoing commitment to quality, Specifications, Ratings and Dimensions subject to change without notice and without incurring liability. Improper installation, adjustment, alteration, service or maintenance can cause property damage or personal injury. Installation and service must be performed by a qualified installer and servicing agency.



OPTIONAL ACCESSORIES - ORDER SEPARATELY

	Model No.	LRP14GE / LRP16GE						
		24	¹ 30	36	¹ 42	48	60	
Compressor Crankcase Heater	11X27	•	•	•	•	•	•	
Compressor Hard Start Kit	Copeland 10J42	•	•	•			•	
	LG 88M91				•	•		
Compressor Timed-Off Control	47J27	•	•	•	•	•	•	
Downflow Conversion Kit (LRP16 includes drain pan overflow switch)	11U80	•	•	•				
	11U81				•	•	•	
Drain Pan Overflow Switch - For LRP14 Models Only	11U75	•	•	•	•	•	•	
² Internal Filter Rack Kit (1) 20 x 20 + (1) 14 x 20 (Filters Not Furnished)	11U73	•	•	•				
	(2) 20 x 20 11U74				•	•	•	
Healthy Climate® PCO Accessory For LRP16 Models Only	Y7960	•		•		•	•	
PCO Accessory Maintenance Kit for LRP16 (Includes PureAir® Cartridge and UVA lamp)	Y7972	•		•		•	•	
Lifting Brackets	11U76	•	•	•	•	•	•	
Clip Curb (Full Perimeter)	8 inch height	14W71	•	•	•			
		14W72				•	•	•
	14 inch height	14V68	•	•	•			
		14V69				•	•	•
Adjustable Pitch Curb - 2/12 to 6/12 (Full Perimeter)	Y7975	•	•	•				
	Y7976				•	•	•	

CONTROLS - ORDER SEPARATELY

iComfort® S30 Ultra-Smart Wi-Fi Thermostat	12U67	•	•	•	•	•	•
Equipment Interface Module (EIM) - Required with iComfort® S30 Ultra-Smart Wi-Fi Thermostat	10T50	•	•	•	•	•	•
iComfort® E30 Smart Wi-Fi Thermostat	15S63	•	•	•	•	•	•
iComfort® M30 Smart Wi-Fi Thermostat	15X69	•	•	•	•	•	•
ComfortSense® 7500 Thermostat	13H14	•	•	•	•	•	•
³ Remote Outdoor Air Temperature Sensor	X2658	•	•	•	•	•	•
⁴ Discharge Air Temperature Sensor	88K38	•	•	•	•	•	•

¹ LRP14 models only.

² Filters are not furnished and must be field provided. Maximum acceptable filter efficiency is MERV 11.

³ Remote Outdoor Air Temperature Sensor is used with residential packaged units. Allows the thermostat to display outdoor temperature.

⁴ Used with the iComfort® E30/S30 Thermostats for optional service diagnostics.



**PACKAGED ELECTRIC / ELECTRIC
LRP14AC**

PRODUCT CATALOG

R-410A
SEER - 14.0 - 2 to 5 Tons
Net Cooling Capacity - 22,600 to 57,000 Btuh

Page 1
April 2019
Supersedes February 2019

FEATURES

Refrigerant System

Non-chlorine, ozone friendly, R-410A refrigerant.

Scroll compressor

Copper tube with enhanced fin coils

Thermal Expansion Valve

Totally enclosed outdoor coil fan motor

Heavy-Duty Fan

Supply Air Blower

Multi-speed, direct drive blower motor

Controls

40VA transformer

Cabinet

Conditioned areas insulated to reduce sound levels and minimize heat loss.

Steel louvered panels provides complete coil protection.

Interchangeable panels for horizontal to downflow airflow conversion furnished (shipped for horizontal).

Powder paint for maximum durability



ACCESSORIES

See page 3

- Compressor Crankcase Heater
- Compressor Hard Start Kit
- Compressor Timed-Off Control
- Electric Heat - 5 to 20 kW
- Lifting Brackets
- Internal Filter Kits
- Roof Curbs
- Single Point Power Kits
- Thermostat

LIMITED WARRANTY

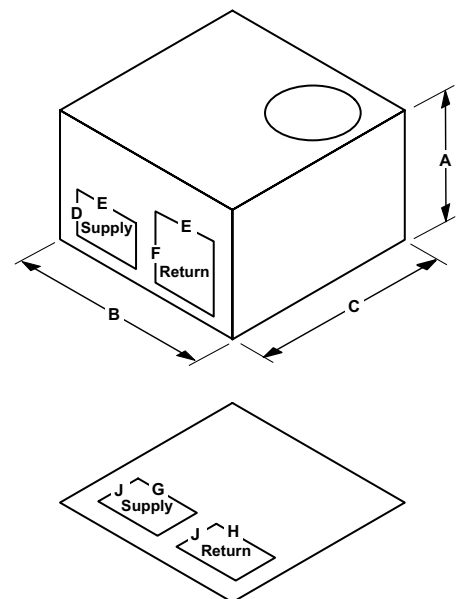
Compressor - ten years

All other covered components - five years

Refer to Lennox Equipment Limited Warranty certificate included with equipment for details

DIMENSIONS

Model No.	24 30 36	42 48 60
A	36-7/8 (937)	40-7/8 (1038)
B	46-3/4 (1187)	55-1/4 (1403)
C	46-3/4 (1187)	46-3/4 (1187)
D	14-1/4 (362)	14-1/4 (362)
E	13-3/8 (340)	18-1/8 (467)
F	17 (432)	17 (432)
G	14 (356)	19-1/2 (495)
H	16-3/4 (425)	19-3/4 (502)
J	11-1/2 (292)	11-1/2 (292)



NOTE - Due to Lennox' ongoing commitment to quality, Specifications, Ratings and Dimensions subject to change without notice and without incurring liability. Improper installation, adjustment, alteration, service or maintenance can cause property damage or personal injury. Installation and service must be performed by a qualified installer and servicing agency.

SPECIFICATIONS

General Data		Model No.	LRP14AC24	LRP14AC30	LRP14AC36	LRP14AC42	LRP14AC48	LRP14AC60	
Nominal Tonnage			2	2.5	3	3.5	4	5	
Cooling Performance	Total cooling capacity - Btuh		22,600	28,400	34,000	40,000	46,000	57,000	
	Total unit watts		2055	2580	3090	3635	4180	5180	
	¹ SEER (Btuh/Watt)		14.00	14.00	14.00	14.00	14.00	14.00	
	EER (Btuh/Watt)		11.00	11.00	11.00	11.00	11.00	11.00	
² Sound Rating Number (dB)			78	78	78	78	78	78	
Refrigerant	Type		R-410A	R-410A	R-410A	R-410A	R-410A	R-410A	
	Charge		4 lbs. 6 oz.	4 lbs. 13 oz.	4 lbs. 15 oz.	6 lbs. 12 oz.	6 lbs. 10 oz.	7 lbs. 13 oz.	
Condensate drain size (fpt) - in.			3/4	3/4	3/4	3/4	3/4	3/4	
Outdoor Coil Fan	Motor horsepower		1/6	1/6	1/6	1/4	1/4	1/4	
	Diameter - in. & No. of blades		22 - 4	22 - 4	22 - 4	24 - 3	24 - 3	24 - 3	
Indoor Blower	Blower wheel size dia. x width - in.		10 x 6	10 x 6	10 x 8	10 x 10	10 x 10	12 x 9	
	Motor horsepower		1/3	1/3	1/3	1/3	1/2	1	
Net weight of basic unit - lbs.			331	343	351	424	428	467	
Shipping weight of basic unit (1 Pkg.) - lbs.			394	406	414	497	501	540	
Electrical characteristics (60 hz)			208/230V-1ph-60hz						

ELECTRICAL DATA

Line voltage data - 60hz 1 phase	208/230V	208/230V	208/230V	208/230V	208/230V	208/230V
³ Maximum overcurrent protection (amps)	25	30	30	40	40	60
⁴ Minimum Circuit Ampacity	16.7	18.7	20.6	24.4	26.9	38.9
Compressor	Rated load amps	11.2	12.8	14.1	15.9	23.7
	Locked rotor amps	60.8	64	72.2	85	152.5
Outdoor Coil Fan Motor	Full load amps	1.0	1.0	1.0	1.7	1.7
	Locked rotor amps	1.9	1.9	1.9	3.2	3.2
Indoor Blower Motor	Full load amps	1.7	1.7	2.0	2.8	7.6
	Locked rotor amps	3.9	3.9	4.4	5.4	- - -

¹ AHRI Certified to AHRI Standard 210/240; 95°F outdoor air temperature, 80°F db/67°F wb entering evaporator air.

² Sound Rating Number rated in accordance with test conditions included in AHRI Standard 270.

³ Filters are not furnished and must be field provided. NOTE - Order two filters for 42, 48 and 60 size units



Intertek

NOTE – Due to Lennox' ongoing commitment to quality, Specifications, Ratings and Dimensions subject to change without notice and without incurring liability. Improper installation, adjustment, alteration, service or maintenance can cause property damage or personal injury. Installation and service must be performed by a qualified installer and servicing agency.



OPTIONAL ACCESSORIES - ORDER SEPARATELY

		Model No.	LRP14AC					
			24	30	36	42	48	60
Compressor Crankcase Heater		11X27	•	•	•	•	•	•
Compressor Hard Start Kit	Copeland	10J42	•	•	•			•
	LG	88M91				•	•	
Compressor Timed-Off Control		47J27	•	•	•	•	•	•
Downflow Conversion Kit (includes drain pan overflow switch)		11U80	•	•	•			
		11U81				•	•	•
Drain Pan Overflow Switch		11U75	•	•	•	•	•	•
Electric Heat Size - 208/240V-1ph	5 kW - PHK05BP	10W47	•	•	•	•	•	•
	7.5 kW - PHK07BP	10W48	•	•	•	•	•	•
	10 kW - PHK10BP	10W49	•	•	•	•	•	•
	15 kW - PHK15BP	10W50			•	•	•	•
	20 kW - PHK20BP	10W51				•	•	•
¹ Internal Filter Rack Kit (Filters Not Furnished)	(1) 20 x 20 + (1) 14 x 20	11U73	•	•	•			
	(2) 20 x 20	11U74				•	•	•
Lifting Brackets		11U76	•	•	•	•	•	•
Clip Curb	8 inch height	14W71	•	•	•			
		14W72				•	•	•
	14 inch height	14V68	•	•	•			
		14V69				•	•	•
Adjustable Pitch Curb - 2/12 to 6/12		Y7975	•	•	•			
		Y7976				•	•	•
Single Point Power Kits	For 5 kW Electric Heat ASPWR813-1	13W88	•	•	•	•	•	•
	For 7.5 kW Electric Heat ASPWR814-1	13W89	•	•	•	•	•	•
	For 10 kW Electric Heat ASPWR815-1	13W90	•	•	•	•	•	•
	For 15-20 kW Electric Heat ASPWR816-1	13W91			•	•	•	•

CONTROLS - ORDER SEPARATELY

iComfort® S30 Ultra-Smart Wi-Fi Thermostat	12U67	•	•	•	•	•	•
Equipment Interface Module (EIM) - Required with iComfort® S30 Ultra-Smart Wi-Fi Thermostat	10T50	•	•	•	•	•	•
iComfort® E30 Smart Wi-Fi Thermostat	15S63	•	•	•	•	•	•
iComfort® M30 Smart Wi-Fi Thermostat	15X69	•	•	•	•	•	•
ComfortSense® 7500 Thermostat	13H14	•	•	•	•	•	•
² Remote Outdoor Air Temperature Sensor	X2658	•	•	•	•	•	•
³ Discharge Air Temperature Sensor	88K38	•	•	•	•	•	•

¹ Filters are not furnished and must be field provided. Maximum acceptable filter efficiency is MERV 11.

² Remote Outdoor Air Temperature Sensor is used with residential packaged units. Allows the thermostat to display outdoor temperature.

³ Used with the iComfort® E30/S30 Thermostats for optional service diagnostics.



PACKAGED HEAT PUMPS LRP16HP

PRODUCT CATALOG

R-410A - Two-Stage Heating/Cooling - SEER - 16.0 - 2 to 5 Tons
Net Cooling Capacity - 23,800 to 57,000 Btuh
Heating Capacity - 22,000 to 56,000 Btuh

Page 1
 April 2019
 Supersedes February 2019

FEATURES

Refrigerant System

Non-chlorine, ozone friendly, R-410A refrigerant.

Two-Stage Scroll Compressor

Copper tube with enhanced fin coils

Check / Expansion Valve

Reversing Valve

Totally enclosed outdoor coil fan motor

Heavy-Duty Fan

Supply Air Blower

Variable speed, direct drive blower motor.

Controls

Electronic Blower Control

High Pressure Switch

Low Pressure Switch

Defrost Control with integrated anti-short cycle

40VA transformer furnished.

Cabinet

Conditioned areas insulated to reduce sound levels and minimize heat loss.

Steel louvered panels provides complete coil protection.

Interchangeable panels for horizontal to downflow airflow conversion furnished (shipped for horizontal).

Powder paint for maximum durability



ACCESSORIES

See page 5

- Compressor Crankcase Heater
- Compressor Hard Start Kit
- Compressor Timed-Off Control
- Electric Heat - 5 to 20 kW
- Internal Filter Rack Kits
- Lifting Brackets
- Healthy Climate® PCO Accessory
- Roof Curbs
- Single Point Power Kits
- Thermostat

LIMITED WARRANTY

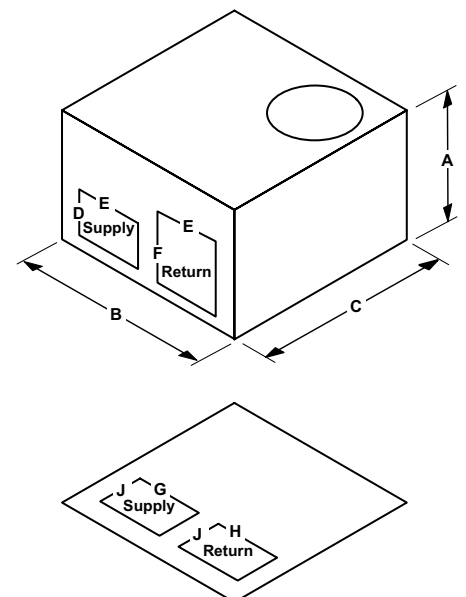
Compressor - ten years

All other covered components - five years

Refer to Lennox Equipment Limited Warranty certificate included with equipment for details

DIMENSIONS

Model No.	24 36	48 60
A	36-7/8 (937)	40-7/8 (1038)
B	46-3/4 (1187)	55-1/4 (1403)
C	46-3/4 (1187)	46-3/4 (1187)
D	14-1/4 (362)	14-1/4 (362)
E	13-3/8 (340)	18-1/8 (467)
F	17 (432)	17 (432)
G	14 (356)	19-1/2 (495)
H	16-3/4 (425)	19-3/4 (502)
J	11-1/2 (292)	11-1/2 (292)



NOTE - Due to Lennox' ongoing commitment to quality, Specifications, Ratings and Dimensions subject to change without notice and without incurring liability. Improper installation, adjustment, alteration, service or maintenance can cause property damage or personal injury. Installation and service must be performed by a qualified installer and servicing agency.

SPECIFICATIONS

General Data		Model No.	LRP16HP24	LRP16HP36	LRP16HP48	LRP16HP60
		Nominal Tonnage	2	3	4	5
Cooling / Heating Performance	Cooling	Total capacity - Btuh	23,000	35,000	47,000	57,000
		Total unit watts	1910	2910	3910	4950
		¹ SEER (Btuh/Watt)	16.00	16.00	16.00	15.50
		EER (Btuh/Watt)	12.0	12.0	12.0	11.5
	High Temp. Heat	Total capacity - Btuh	22,000	34,000	46,000	56,000
		Total unit watts	1791	2770	3740	4440
		COP	3.60	3.60	3.60	3.70
		HSPF Region IV	8.20	8.20	8.20	8.20
	Low Temp. Heat	Total capacity - Btuh	11,900	19,700	26,000	37,200
		Total unit watts	1480	2530	3500	4250
COP		2.30	2.28	2.23	2.57	
² Sound Rating Number (dB)		71	71	74	74	
Refrigerant	Type	R-410A	R-410A	R-410A	R-410A	
	Charge	5 lbs. 5 oz.	8 lbs. 0 oz.	10 lbs. 8 oz.	10 lbs. 8 oz.	
Condensate drain size (fpt) - in.			3/4	3/4	3/4	3/4
Outdoor Coil Fan	Motor horsepower		1/2	1/2	1/2	1/2
	Diameter - in.		22	22	24	24
	Number of blades		3	3	3	3
Indoor Blower	Blower wheel size dia. x width - in.		10 x 6	10 x 8	10 x 10	12 x 9
	Motor horsepower		1/2	1/2	3/4	1
Net weight of basic unit - lbs.			375	410	490	505
Shipping weight of basic unit (1 Pkg.) - lbs.			438	473	563	578
Electrical characteristics (60 Hz)			208/230V-1ph-60hz			

¹ AHRI Certified to AHRI Standard 210/240:

Cooling Ratings - 95°F outdoor air temperature and 80°F db/67°F wb entering indoor coil air.

High Temperature Heating Ratings - 47°F db/43°F wb outdoor air temperature and 70°F entering indoor coil air.

Low Temperature Heating Ratings - 17°F db/15°F wb outdoor air temperature and 70°F entering indoor coil air.

² Sound Rating Number rated in accordance with test conditions included in AHRI Standard 270.



NOTE – Due to Lennox' ongoing commitment to quality, Specifications, Ratings and Dimensions subject to change without notice and without incurring liability. Improper installation, adjustment, alteration, service or maintenance can cause property damage or personal injury. Installation and service must be performed by a qualified installer and servicing agency.



PACKAGED HEAT PUMPS LRP14HP

PRODUCT CATALOG

R-410A - SEER - 14.0 - 2 to 5 Tons
 Net Cooling Capacity - 22,600 to 57,000 Btuh
 Heating Capacity - 22,000 to 56,000 Btuh

Page 3
 April 2019
 Supersedes February 2019

FEATURES

Refrigerant System

Non-chlorine, ozone friendly, R-410A refrigerant.

Scroll compressor

Copper tube with enhanced fin coils

Check / Expansion Valve

Reversing Valve

Totally enclosed outdoor coil fan motor

Heavy-Duty Fan

Supply Air Blower

Multi-speed, direct drive blower motor

Controls

High Pressure Switch

Low Pressure Switch

Defrost Control with integrated anti-short cycle

40VA transformer furnished.

Cabinet

Conditioned areas insulated to reduce sound levels and minimize heat loss.

Steel louvered panels provides complete coil protection.

Interchangeable panels for horizontal to downflow airflow conversion furnished (shipped for horizontal).

Powder paint for maximum durability



ACCESSORIES

See page 5

- Compressor Crankcase Heater
- Compressor Hard Start Kit
- Compressor Timed-Off Control
- Electric Heat - 5 to 20 kW
- Internal Filter Kits
- Lifting Brackets
- Roof Curbs
- Single Point Power Kits
- Thermostat

LIMITED WARRANTY

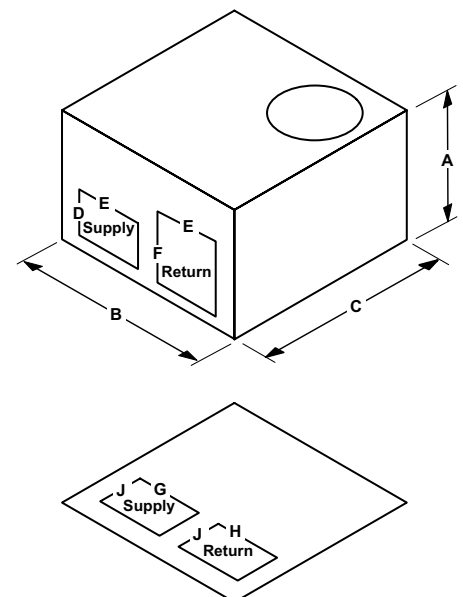
Compressor - ten years

All other covered components - five years

Refer to Lennox Equipment Limited Warranty certificate included with equipment for details

DIMENSIONS

Model No.	24 30 36	42 48 60
A	36-7/8 (937)	40-7/8 (1038)
B	46-3/4 (1187)	55-1/4 (1403)
C	46-3/4 (1187)	46-3/4 (1187)
D	14-1/4 (362)	14-1/4 (362)
E	13-3/8 (340)	18-1/8 (467)
F	17 (432)	17 (432)
G	14 (356)	19-1/2 (495)
H	16-3/4 (425)	19-3/4 (502)
J	11-1/2 (292)	11-1/2 (292)



NOTE - Due to Lennox' ongoing commitment to quality, Specifications, Ratings and Dimensions subject to change without notice and without incurring liability. Improper installation, adjustment, alteration, service or maintenance can cause property damage or personal injury. Installation and service must be performed by a qualified installer and servicing agency.

SPECIFICATIONS

General Data			Model No.	LRP14HP24	LRP14HP30	LRP14HP36	LRP14HP42	LRP14HP48	LRP14HP60
Nominal Tonnage				2	2.5	3	3.5	4	5
Cooling / Heating Performance	Cooling	Total capacity - Btuh		22,600	28,600	34,000	40,000	46,000	57,000
		Total unit watts		2055	2600	3090	3635	4180	5180
		¹ SEER (Btuh/Watt)		14.00	14.00	14.00	14.00	14.00	14.00
		EER (Btuh/Watt)		11.00	11.00	11.00	11.00	11.00	11.00
	High Temp. Heat	Total capacity - Btuh		22,000	27,000	33,400	39,000	45,000	56,000
		Total unit watts		1700	2140	2645	3175	3565	4440
		COP		3.80	3.70	3.70	3.60	3.70	3.70
		HSPF Region IV / Region V		8.00 / 6.95	8.00 / 6.95	8.00 / 6.95	8.00 / 6.95	8.00 / 6.95	8.00 / 6.95
	Low Temp. Heat	Total capacity - Btuh		12,300	15,900	20,000	23,600	27,000	33,600
		Total unit watts		1570	2025	2550	3010	3445	4105
COP			2.30	2.30	2.30	2.30	2.30	2.40	
² Sound Rating Number (dB)			78	78	78	78	78	78	
Refrigerant	Type		R-410A	R-410A	R-410A	R-410A	R-410A	R-410A	
	Charge		5 lbs. 11 oz.	6 lbs. 0 oz.	5 lbs. 12 oz.	10 lbs. 5 oz.	10 lbs. 3 oz.	10 lbs. 1 oz.	
Condensate drain size (fpt) - in.				3/4	3/4	3/4	3/4	3/4	3/4
Outdoor Coil Fan	Motor horsepower		1/6	1/6	1/6	1/4	1/4	1/4	
	Diameter - in.		22	22	22	24	24	24	
	Number of blades		4	4	4	3	3	3	
Indoor Blower	Blower wheel size dia. x width - in.		10 x 6	10 x 6	10 x 8	10 x 10	10 x 10	12 x 9	
	Motor horsepower		1/4	1/4	1/3	1/3	1/2	1	
Net weight of basic unit - lbs.				333	342	352	455	460	482
Shipping weight of basic unit (1 Pkg.) - lbs.				396	405	415	528	533	555
Electrical characteristics (60 hz)				208/230V-1ph-60hz					

¹ AHRI Certified to AHRI Standard 210/240:

Cooling Ratings - 95°F outdoor air temperature and 80°F db/67°F wb entering indoor coil air.

High Temperature Heating Ratings - 47°F db/43°F wb outdoor air temperature and 70°F entering indoor coil air.

Low Temperature Heating Ratings - 17°F db/15°F wb outdoor air temperature and 70°F entering indoor coil air.

² Sound Rating Number rated in accordance with test conditions included in AHRI Standard 270.



Intertek

NOTE – Due to Lennox' ongoing commitment to quality, Specifications, Ratings and Dimensions subject to change without notice and without incurring liability. Improper installation, adjustment, alteration, service or maintenance can cause property damage or personal injury. Installation and service must be performed by a qualified installer and servicing agency.



OPTIONAL ACCESSORIES - ORDER SEPARATELY

	Model No.	LRP14HP, LRP16HP						
		24	¹ 30	36	¹ 42	48	60	
Compressor Crankcase Heater	11X27	•	•	•	•	•	•	
Compressor Hard Start Kit	Copeland 10J42	•	•	•		•	•	
	LG 88M91				•			
Downflow Conversion Kit (LRP16 includes drain pan overflow switch)	11U80	•	•	•				
	11U81				•	•	•	
Drain Pan Overflow Switch - For LRP14 Models Only	11U75	•	•	•	•	•	•	
Compressor Timed Off Control	42J27	•	•	•	•	•	•	
Electric Heat Size - 208/240V-1ph	5 kW - PHK05BP 10W47	•	•	•	•	•	•	
	7.5 kW - PHK07BP 10W48	•	•	•	•	•	•	
	10 kW - PHK10BP 10W49	•	•	•	•	•	•	
	15 kW - PHK15BP 10W50			•	•	•	•	
	20 kW - PHK20BP 10W51				•	•	•	
² Internal Filter Rack Kit (Filters Not Furnished)	(1) 20 x 20 + (1) 14 X 20 11U73	•	•	•				
	(2) 20 x 20 11U74				•	•	•	
Healthy Climate [®] PCO Accessory For LRP16 Models Only	Y7960	•		•		•	•	
PCO Accessory Maintenance Kit for LRP16 (Includes PureAir [®] Cartridge and UVA lamp)	Y7972	•		•		•	•	
Lifting Brackets	11U76	•	•	•	•	•	•	
Clip Curb	8 inch height	14W71	•	•	•			
		14W72				•	•	•
	14 inch height	14V68	•	•	•			
		14V69				•	•	•
Adjustable Pitch Curb - 2/12 to 6/12	Y7975	•	•	•				
	Y7976				•	•	•	
Single Point Power Kits	For 5 kW Electric Heat ASPWR813-10 13W88	•	•	•	•	•	•	
	For 7.5 kW Electric Heat ASPWR814-10 13W89	•	•	•	•	•	•	
	For 10 kW Electric Heat ASPWR815-10 13W90	•	•	•	•	•	•	
	For 15-20 kW Electric Heat ASPWR816-10 13W91				•	•	•	•

CONTROLS - ORDER SEPARATELY

iComfort [®] S30 Ultra-Smart Wi-Fi Thermostat	12U67	•	•	•	•	•	•
Equipment Interface Module (EIM) - Required with iComfort [®] S30 Ultra-Smart Wi-Fi Thermostat	10T50	•	•	•	•	•	•
iComfort [®] E30 Smart Wi-Fi Thermostat	15S63	•	•	•	•	•	•
iComfort [®] M30 Smart Wi-Fi Thermostat	15X69						
ComfortSense [®] 7500 Thermostat	13H14	•	•	•	•	•	•
³ Remote Outdoor Air Temperature Sensor	X2658	•	•	•	•	•	•
⁴ Discharge Air Temperature Sensor	88K38	•	•	•	•	•	•

¹ LRP14 models only.

² Filters are not furnished and must be field provided. Maximum acceptable filter efficiency is MERV 11.

³ Remote Outdoor Air Temperature Sensor is recommended for heat pump balance point control and to lock out some of the the electric heating elements where two-stage control is applicable. Also allows the thermostat to display outdoor temperature.

⁴ Used with the iComfort[®] E30/S30 Thermostats for optional service diagnostics.

NOTE – Due to Lennox’ ongoing commitment to quality, Specifications, Ratings and Dimensions subject to change without notice and without incurring liability. Improper installation, adjustment, alteration, service or maintenance can cause property damage or personal injury. Installation and service must be performed by a qualified installer and servicing agency.



PRODUCT CATALOG

**INDOOR AIR QUALITY
PCO3S
DAVE LENNOX SIGNATURE® COLLECTION**

PUREAIR® S Air Purification System

Page 1
April 2019
Supersedes February 2019

FEATURES

iComfort® Communicating Control

iComfort® Control communicates information about the unit to the optional iComfort® thermostat.



Multiple sensors in the cabinet automatically detect and send information to the iComfort® S30 Ultra Smart Wi-Fi Thermostat for: dirty air filter status, air filter life notification, UVA lamp operational status and UVA lamp life notification.

Multiple air purification technologies in a single, state-of-the-art unit.

Easy to install.

The UVA lights activate the catalyst on the PureAir™ Cartridge that destroys chemicals as they flow through the system, turning them into carbon dioxide and water vapor. The system uses light (UVA), which reacts with a titanium dioxide-based chemical catalyst as air passes through it.

Contaminants are destroyed rather than transferred.

No toxic chemicals are used.

Pollutants are adsorbed on the surface of the catalyst and oxidized to carbon dioxide (CO₂) and water (H₂O).

Rather than just absorbing gaseous pollutants (as in carbon systems), the PCO3 provides a reduction of absolute toxicity as the gaseous products from the complete photocatalytic oxidation of volatile organic compounds are carbon dioxide and water.

MERV 16 Carbon Clean 16® media filter.



iComfort® S30 Ultra Smart Wi-Fi Thermostat required. Not furnished

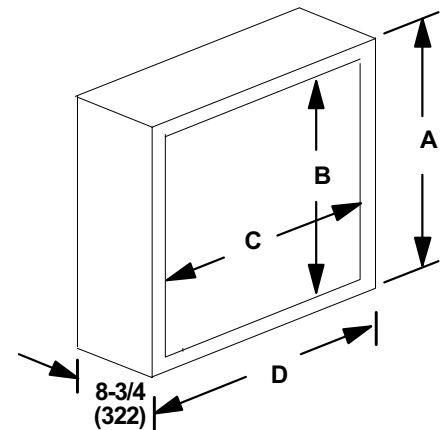
NOTE - For full communication benefits, the PureAir™ S Air Purification System must be used with an iComfort® S30 Ultra Smart Wi-Fi Thermostat and an iComfort® communicating variable-speed indoor furnace or air handler.

Pre-painted steel cabinet.
Front of unit is removable for service access.
Three-prong, detachable 6-foot power cord for plug-in 120V electrical connection. Optional 230V cord and hard-wire kits are available.

LIMITED WARRANTY

All covered components - five years
Refer to Lennox Equipment Limited Warranty certificate included with equipment for details,

DIMENSIONS



	PCO3S -14-16	PCO3S -16-16	PCO3S -20-16
A	21-1/8 (537)	17-1/2 (445)	21-1/8 (537)
B	18-1/2 (470)	14-5/8 (371)	18-1/2 (470)
C	20-1/4 (514)	23 (584)	23 (584)
D	23-3/4 (603)	26-1/2 (673)	26-1/2 (673)

NOTE - Due to Lennox' ongoing commitment to quality, Specifications, Ratings and Dimensions subject to change without notice and without incurring liability. Improper installation, adjustment, alteration, service or maintenance can cause property damage or personal injury. Installation and service must be performed by a qualified installer and servicing agency.

SPECIFICATIONS

Model No.	PCO3S-14-16	PCO3S-16-16	PCO3S-20-16
Nominal airflow capacity - cfm	1400	1600	2000
Pressure drop (new unit) - in. w.g.	0.25	0.31	0.31
Pressure drop (end of recommended life) - in. w.g.	0.42	0.42	0.42
Ethanol destruction rate - mg/min. (single pass rated flow destruction rate @ 500 µg/m ³ ethanol)	2.5	3.0	4.0
Operating Environment	0°F to 140°F outside of duct 10 to 60 percent relative humidity (Optimal performance at 50 percent relative humidity)		
Number of lamps	1	1	1
Filter Efficiency	MERV 16	MERV 16	MERV 16
Filter size - H x D x W - in.	Nominal	20 x 21 x 5	16 x 26 x 5
	Actual	20 x 20-5/8 x 4-3/8	16-3/8 x 25-1/2 x 4-3/8
Filter life	Up to 12 months	Up to 12 months	Up to 12 months
Shipping Weight - lbs.	27	25	27
Electrical Data	120V or ¹ 230V - 1 phase - 60 hz (less than 1 amp)		
Power Consumption	120 Volt	58	58
	¹ 230 Volt	58	58

MAINTENANCE SUPPLIES - ORDER SEPARATELY

Annual Maintenance Kit (includes 1 of each per kit)	1-pack	Y6616	Y6612	Y6608
	4-pack	Y6618	Y6614	Y6610
Carbon Clean 16® (MERV 16) Pleated Filter	Size - H x D x W - in.	20 x 21 x 5	16 x 26 x 5	20 x 26 x 5
UVA Lamp	Number of lamps	1	1	1
PureAir™ Cartridge	Size - H x D x W - in.	1-7/8 x 20 x 1	1-7/8 x 20 x 1	1-7/8 x 20 x 1
Carbon Clean 16® (MERV 16) Pleated Filter		Y6606	Y6605	Y6604
PureAir Cartridge		Y6621	Y6607	Y6607

OPTIONAL ACCESSORIES - ORDER SEPARATELY

Power Cord for 230V Operation	91X44	91X44	91X44
-------------------------------	--------------	--------------	--------------

¹ Optional 230V power cord is required and must be ordered extra.





PRODUCT CATALOG

INDOOR AIR QUALITY PCO3 HEALTHY CLIMATE®

PUREAIR® Air Purification System

Page 3

April 2019

Supersedes February 2019

FEATURES

Multiple air purification technologies in a single, state-of-the-art unit.

Easy to install.

The UVA lights activate the catalyst on the PureAir™ Cartridge that destroys chemicals as they flow through the system, turning them into carbon dioxide and water vapor. The system uses light (UVA), which reacts with a titanium dioxide-based chemical catalyst as air passes through it.

Contaminants are destroyed rather than transferred.

No toxic chemicals are used.

Pollutants are adsorbed on the surface of the catalyst and oxidized to carbon dioxide (CO₂) and water (H₂O).

Rather than just absorbing gaseous pollutants (as in carbon systems), the PCO3 provides a reduction of absolute toxicity as the gaseous products from the complete photocatalytic oxidation of volatile organic compounds are carbon dioxide and water.

MERV 16 Carbon Clean 16® media filter.

Pre-painted steel cabinet.

Front of unit is removable for service access.

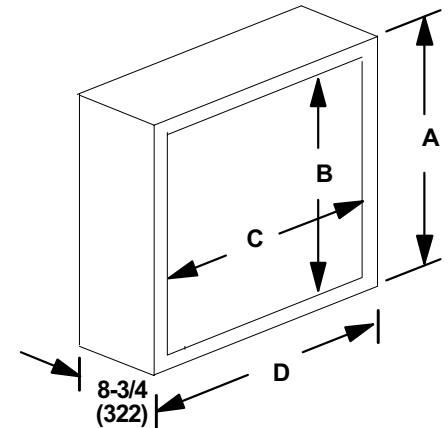
Three-prong, detachable 6-foot power cord for plug-in 120V electrical connection. Optional 230V cord and hard-wire kits are available.



LIMITED WARRANTY

All covered components - five years
Refer to Lennox Equipment Limited Warranty certificate included with equipment for details,

DIMENSIONS



	PCO3-14-16	PCO3-16-16	PCO3-20-16
A	21-1/8 (537)	17-1/2 (445)	21-1/8 (537)
B	18-1/2 (470)	14-5/8 (371)	18-1/2 (470)
C	20-1/4 (514)	23 (584)	23 (584)
D	23-3/4 (603)	26-1/2 (673)	26-1/2 (673)



NOTE - Due to Lennox' ongoing commitment to quality, Specifications, Ratings and Dimensions subject to change without notice and without incurring liability. Improper installation, adjustment, alteration, service or maintenance can cause property damage or personal injury. Installation and service must be performed by a qualified installer and servicing agency.

SPECIFICATIONS

	Model No.	PCO3-14-16	PCO3-16-16	PCO3-20-16
Nominal airflow capacity - cfm		1400	1600	2000
Pressure drop (new unit) - in. w.g.		0.25	0.31	0.31
Pressure drop (end of recommended life) - in. w.g.		0.42	0.42	0.42
Ethanol destruction rate - mg/min. (single pass rated flow destruction rate @ 500 µg/m ³ ethanol)		2.5	3.0	4.0
Number of lamps		1	1	1
Filter size - H x D x W - in.	Nominal	20 x 21 x 5	16 x 26 x 5	20 x 26 x 5
	Actual	20 x 20-5/8 x 4-3/8	16-3/8 x 25-1/2 x 4-3/8	20 x 25-1/2 x 4-3/8
Filter life		Up to 12 months	Up to 12 months	Up to 12 months
Shipping Weight - lbs.		27	25	27
Electrical Data		120V or ¹ 230V - 1 phase - 60 hz (less than 1 amp)		
Power Consumption	120 Volt	58	58	58
	¹ 230 Volt	58	58	58

MAINTENANCE SUPPLIES - ORDER SEPARATELY

Annual Maintenance Kit (includes 1 of each per kit)	Catalog Number (1-pack)	Y6616	Y6612	Y6608
	Catalog Number (4-pack)	Y6618	Y6614	Y6610
MERV 16 Carbon Clean 16 [®] Pleated Filter	Size - H x D x W - in.	20 x 21 x 5	16 x 26 x 5	20 x 26 x 5
UVA Lamp	Number of lamps	1	1	1
PureAir™ Cartridge	Size - H x D x W - in.	1-7/8 x 20 x 1	1-7/8 x 20 x 1	1-7/8 x 20 x 1
MERV 16 Carbon Clean 16 [®] Pleated Filter	Catalog Number	Y6606	Y6605	Y6604
PureAir Cartridge	Catalog Number	Y6621	Y6607	Y6607

OPTIONAL ACCESSORIES - ORDER SEPARATELY

Power Cord for 230V Operation		91X44	91X44	91X44
-------------------------------	--	--------------	--------------	--------------

¹ Optional 230V power cord is required and must be ordered extra.



FEATURES

NOTE - Cabinet and Filter must be ordered separately.

MERV 11 and Carbon Clean 16® (MERV 16) filters (Minimum Efficiency Reporting Value based on ASHRAE 52.2).

High performance filtration with a narrow 7 in. cabinet.

Pleated filter design allows maximum air flow and filtration efficiency.

Multi-position cabinet is available for installation on the return air opening of gas, oil or electric forced, warm air furnaces and air handlers with cooling applications up to 5 tons. The unit can be installed in upflow, downflow or horizontal unit applications.

Silent operation, requires no electrical component service, and generates no ozone.

Constant blower operation will achieve the best air cleaning results. No duct transition needed for most furnace applications.

Cabinet constructed of pre-painted galvanized steel. Cabinet will withstand 400 lbs. static weight, enough to support the weight of a typical furnace and indoor coil or air handler.

Tool-less access door allows quick and easy replacement of filter media.

Mounts in any position. Air flow direction through the cabinet can be changed by repositioning the filter. Arrows on filter indicate air flow direction.

Cabinet is shipped compact and requires minimum field assembly. No tools required.

Filter media is certified to UL 900 standard and UL/ULC classification - Class 2.

Two Filter Types are available: Boxed Filters have double-wall beverage board frame for rigid construction.



Filter Cabinet (With Filter in Place)



MERV 11 and Carbon Clean 16™ (MERV 16) Filters



Expandable Filter Kits consist of expandable filter media and reusable filter frame (MERV 16 kits include reusable filter spacers). Kits are shipped compact for field assembly.

Carbon Clean 16™ (MERV 16) Box Filters

50% first-pass reduction of ozone. Carbon coated fiber matrix reduces odors.

Hospital inpatient care/general surgery level filtration.

Removes over 95% of E1 (sub-micron) particles down to 0.3-1 microns.

Removes over 99% of E2 particles down to 1-3 microns.

Removes over 90% of ultra-fine particles down to 0.01 micron, including viruses and bacteria.

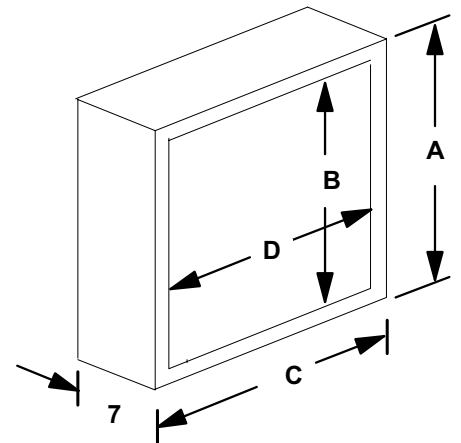
LIMITED WARRANTY

Cabinet has a five year limited warranty in residential applications, one year in non-residential applications.

Filter media is not covered.

Refer to Healthy Climate Equipment Limited Warranty certificate included with cabinet for specific details.

DIMENSIONS



	HCC14-23	HCC16-28	HCC20-28
A	21-1/4	17-1/4	21
B	18-3/4	15	18-1/2
C	23	28-1/2	28-1/2
D	18-1/2	24	24

NOTE – Due to Lennox' ongoing commitment to quality, Specifications, Ratings and Dimensions subject to change without notice and without incurring liability. Improper installation, adjustment, alteration, service or maintenance can cause property damage or personal injury. Installation and service must be performed by a qualified installer and servicing agency.

SPECIFICATIONS

General Data	Cabinet Model No.	HCC14-23	HCC16-28	HCC20-28	HCC14-23	HCC16-28	HCC20-28	
	Filter Model No. (Box Filter)	HCF14-11	HCF16-11	HCF20-11	HCF14-16	HCF16-16	HCF20-16	
	Filter Model No. (Expandable Filter Kit)	HCXF14-11	HCXF16-11	HCXF20-11	HCXF14-16	HCXF16-16	HCXF20-16	
¹ MERV (Minimum Efficiency Reporting Value) rating		11	11	11	16	16	16	
Air Flow	Air flow range - cfm	800 - 1400	800 - 1600	1400 - 2000	800 - 1400	800 - 1600	1400 - 2000	
	Rated air flow - cfm	1400	1600	2000	1400	1600	2000	
Filter Data	Nominal Filter size - in.	20 x 20 x 5	16 x 25 x 5	20 x 25 x 5	20 x 20 x 5	16 x 25 x 5	20 x 25 x 5	
	Actual Filter size - in.	20 x 19-3/4 x 4-3/8	15-3/4 x 24-3/4 x 4-3/8	19-3/4 x 24-3/4 x 4-3/8	20 x 19-3/4 x 4-3/8	15-3/4 x 24-3/4 x 4-3/8	19-3/4 x 24-3/4 x 4-3/8	
	Pressure drop @ rated flow in. w.c. - Initial	HCF - Initial	0.25	0.27	0.27	0.29	0.31	0.31
		- Final	0.40	0.40	0.40	0.40	0.40	0.40
	HCFX - Initial	- Final	0.27	0.30	0.27	0.29	0.31	0.31
- Final		0.40	0.40	0.40	0.40	0.40	0.40	
² Filter estimated service life (months)		up to 12 months						
Shipping weight - lbs.	Cabinet	15	17	18	15	17	18	

MAINTENANCE SUPPLIES - ORDER SEPARATELY

Replacement filter media for Expandable Filter Kits	X8311	X8309	X8310	X8314	X8312	X8313
Replacement filter media for Box Filter Kits	X0585	X6670	X6673	X7935	X6672	X6675

¹ Rated at 492 feet per minute

² Factors will influence the frequency of replacement of filter media, such as: the number of people in the home, activities, lifestyle, number of pets, and size of home.





INDOOR AIR QUALITY CARBON CLEAN 16™ FILTERS HEALTHY CLIMATE®

PRODUCT CATALOG

Boxed Filters

Page 7

April 2019

Supersedes February 2019

FEATURES

Disposable, pleated MERV 16 filters (Minimum Efficiency Reporting Value based on ASHRAE 52.2).

50% first-pass reduction of ozone.

Carbon coated fiber matrix reduces odors.

Hospital inpatient care/general surgery level filtration.

Removes over 95% of E1 (sub-micron) particles down to 0.3-1 microns.

Removes over 99% of E2 particles down to 1-3 microns.

Removes over 90% of ultra-fine particles down to 0.01 micron, including viruses and bacteria.

Double-wall beverage board frame for rigid construction.

Media is certified to UL 900 standard and UL/ULC classification - Class 2.



Nominal Filter Size (in.)	Brand	Replaces Filter for Air Cleaner Model:	Replaces Filter Media:	Order No.
16 x 25 x 5	Lennox	HCC16-28	HCF16-16, HCF16-11	X6672
	Honeywell	F25A1043, F25F1042, F35F1008, F100F1012, F150E1026, F200E1029	FC35A1001, FC100A1029, FC200E1029	
	Carrier	EZXCAB016, MACA016, MPKA016, FILCAB016	EXPXXFIL0016, EXPXXUNV0016, EXPXXLMC0016, FILCCCAR0016	
	Trion Air Bear™	Supreme 1400 455602-119	255649-105	
20 x 20 x 5	Lennox	HCC14-23	HCF14-16, HCF14-11	X7935
	Honeywell	F25F1018, F35F1016, F100F1020	203721 FC35A1019 FC100A1011	
20 x 25 x 5	Lennox	HCC20-28	HCF20-16, HCF20-11	X6675
	Honeywell	F25A1068, F25F1067, F35F1024, F100F1038, F150E1034, F200E1037	FC35A1027, FC100A1037, FC200E1037, F35Expandapac	
	Carrier	EZXCAB020, MACA020, MPKA020, FILCAB020	EXPXXFIL0020, EXPXXUNV0020, EXPXXLMC0020, FILCCCAR0020	
	Trion Air Bear™	453000-001 Supreme 2000 455602-001, 447380-002	255649-102, 229990-002, 229990-102	

Note - If Lennox Replacement filter does not fully engage top or bottom flanges in a competitor's filter cabinet, weather stripping maybe added to the bottom of filter to properly position the filter and prevent bypass air leakage.

NOTE - Due to Lennox' ongoing commitment to quality, Specifications, Ratings and Dimensions subject to change without notice and without incurring liability. Improper installation, adjustment, alteration, service or maintenance can cause property damage or personal injury. Installation and service must be performed by a qualified installer and servicing agency.



INDOOR AIR QUALITY MERV 11 FILTERS HEALTHY CLIMATE®

PRODUCT CATALOG

Boxed Filters

Page 8

April 2019

Supersedes February 2019

FEATURES

MERV 11 (Minimum Efficiency Reporting Value) – Based on ASHRAE 52.2

Disposable, pleated filter media.
Available for replacement of existing air cleaner filters.



Nominal Filter Size (in.)	Brand	Replaces Filter for Air Cleaner Model:	Replaces Filter Media:	Order No.
16 x 25 x 3	Lennox	BMAC-12C	X0581	X0581
	Trion	Air Bear™	Air Bear™	
16 x 20 x 5	Lennox		X0582	X0582
	Honeywell	F25F1075 F35F1032 F100F1004	209894 FC35A1035 FC100A1003	
16 x 25 x 5	Lennox		X0583	X0583
	Honeywell	F25F1000 F35F1008 F100F1012	203719 FC35A1001 FC100A1029	
16 x 25 x 5	Lennox	HCC16-28	HCF16-11	X6670
	Honeywell	F25A1043 F25F1042 F35F1008 F100F1012 F150E1026 F200E1029	FC35A1001 FC100A1029 FC200E1029	
	Carrier	EZXCAB016 MACA016 MPKA016 FILCAB016	EXPXXFIL0016 EXPXXLMC0016 EXPXXUNV0016 FILCCCAR0016	
	Trion	Supreme 1400 455602-119	255649-105	
16 x 26 x 5	Lennox	BMAC-14CE	X0584	X0584
	White Rodgers	ACB1400	FR1400	
20 x 20 x 5	Lennox	HCC14-23	HCF14-11 HCF14-16 X0585	X0585
	Honeywell	F25A1018 F35F1016 F100F1020	203721 FC35A1019 FC100A1011	
20 x 25 x 5	Lennox	BMAC-20C	X0586	X0586
	Honeywell	F25F1026 F35F1024 F100F1038	203720 FC35A1027 FC100A1037	
20 x 25 x 5	Lennox	HCC20-28	HCF20-11	X6673
	Honeywell	F25A1068 F25F1067 F35F1024 F100F1038 F150E1034 F200E103	FC35A1027 FC100A1037 FC200E1037 F35Expandapac	
	Carrier	EZXCAB020 MACA020 MPKA020 FILCAB020	EXPXXFIL0020 EXPXXLMC0020 EXPXXUNV0020 FILCCCAR0020	
	Trion	453000-001 Supreme 2000 455602-001 447380-002	255649-102 229990-002 229990-102	
20 x 25 x 5	Lennox	¹ BMAC-20C MF1-20	X0586 X1152 92G07	X1152
	Trion	¹ Trion Air Bear	229990-102	
20 x 26 x 5	Lennox	BMAC-20CE	X0587	X0587
	White Rodgers	ACB2000	FR2000	

Note – If Lennox Replacement filter does not fully engage top or bottom flanges in a competitor's filter cabinet, weather stripping maybe added to the bottom of filter to properly position the filter and prevent bypass air leakage.

¹ Alternate filter replacement with higher dust holding capacity.

NOTE – Due to Lennox' ongoing commitment to quality, Specifications, Ratings and Dimensions subject to change without notice and without incurring liability. Improper installation, adjustment, alteration, service or maintenance can cause property damage or personal injury. Installation and service must be performed by a qualified installer and servicing agency.



**INDOOR AIR QUALITY
MERV 16 FILTERS
HEALTHY CLIMATE®**

PRODUCT CATALOG

Expandable Filter Kits

Page 9

April 2019

Supersedes February 2019

FEATURES

MERV 16 (Minimum Efficiency Reporting Value) - Based on ASHRAE 52.2

Replaceable Expandable Filter Media in Reusable Filter Frame

Disposable, expandable pleated filter media. Available for replacement of existing air cleaner filters.

Shipped complete with reusable filter frame, expandable filter media and filter spacers. Some assembly required.



Nominal Filter Size (in.)	Brand	Replaces Filter for Air Cleaner Model:		Replaces Filter Media:		Complete Kit Order No.	Replacement Filter Media Order No.
16 x 25 x 5	Lennox	HCC16-28		HCF16-16 HCF16-11	HCXF16-16 HCXF16-11	X8306	X8312
	Honeywell	F25A1043 F35F1008 F100F1012	F25F1042 F200E1029 F150E1026	FC35A1001 FC100A1029	FC200E1029		
	Carrier	EZXCAB016 FILCAB016	MACA016 MPKA016	EXPXXUNV0016 EXPXXLMC0016	EXPXXFIL0016 FILCCCAR0016		
	Trion Air Bear™	Supreme 1400	455602-119	255649-105			
20 x 20 x 5	Lennox	HCC14-23		HCF14-16 HCF14-11	HCXF14-16 HCXF14-11	X8308	X8314
	Honeywell	F25F1018 F100F1020	F35F1016	203721 FC35A1019	FC100A1011		
20 x 25 x 5	Lennox	HCC20-28		HCF20-16 HCF20-11	HCXF20-16 HCXF20-11	X8307	X8313
	Honeywell	F25A1068 F35F1024 F150E1034	F25F1067 F100F1038 F200E1037	FC35A1027 F35Expandapac	FC100A1037 FC200E1037		
	Carrier	EZXCAB020 MPKA020	MACA020 FILCAB020	EXPXXUNV0020 EXPXXLMC0020	EXPXXFIL0020 FILCCCAR0020		
	Trion Air Bear™	453000-001 Supreme 2000	455602-001 447380-002	255649-102 229990-002	229990-102		

Note - If Lennox Replacement filter does not fully engage top or bottom flanges in a competitor's filter cabinet, weather stripping maybe added to the bottom of filter to properly position the filter and prevent bypass air leakage.

NOTE - Due to Lennox' ongoing commitment to quality, Specifications, Ratings and Dimensions subject to change without notice and without incurring liability. Improper installation, adjustment, alteration, service or maintenance can cause property damage or personal injury. Installation and service must be performed by a qualified installer and servicing agency.



**INDOOR AIR QUALITY
MERV 11 FILTERS
HEALTHY CLIMATE®**

PRODUCT CATALOG

Expandable Filter Kits

Page 10
April 2019

Supersedes February 2019

FEATURES

MERV 11 (Minimum Efficiency Reporting Value) - Based on ASHRAE 52.2

Replaceable Expandable Filter Media in Reusable Filter Frame Disposable, expandable pleated filter media. Available for replacement of existing air cleaner filters.

Shipped complete with reusable filter frame and expandable filter media. Some assembly required.



Nominal Filter Size (in.)	Brand	Replaces Filter for Air Cleaner Model:		Replaces Filter Media:		Complete Kit Order No.	Replacement Filter Media Order No.
16 x 25 x 5	Lennox	HCC16-28		HCF16-11,	HCXF16-11	X8303	X8309
	Honeywell	F25A1043 F25F1042 F35F1008	F100F1012 F150E1026 F200E1029	FC35A1001 FC100A1029	FC200E1029		
	Carrier	EZXCAB016 MACA016,	MPKA016 FILCAB016	EXPXXFIL0016 EXPXXUNV0016	EXPXXLMC0016 FILCCCAR0016		
	Trion	Supreme 1400	455602-119	255649-105			
20 x 20 x 5	Lennox	HCC14-23		HCF14-11 HCXF14-11	HCF14-16 X0585	X8305	X8311
	Honeywell	F25A1018 F35F1016	F100F1020	203721 FC35A1019	FC100A1011		
20 x 25 x 5	Lennox	HCC20-28		HCF20-11	HCXF20-11	X8304	X8310
	Honeywell	F25A1068 F25F1067 F35F1024	F100F1038 F150E1034 F200E1037	FC35A1027 FC100A1037	FC200E1037 F35Expandapac		
	Carrier	EZXCAB020 MACA020	MPKA020 FILCAB020	EXPXXFIL0020 EXPXXUNV0020	EXPXXLMC0020 FILCCCAR0020		
	Trion	453000-001 Supreme 2000	455602-001 447380-002	255649-102 229990-002	229990-102		

Note – If Lennox Replacement filter does not fully engage top or bottom flanges in a competitor's filter cabinet, weather stripping may be added to the bottom of filter to properly position the filter and prevent bypass air leakage.

NOTE – Due to Lennox' ongoing commitment to quality, Specifications, Ratings and Dimensions subject to change without notice and without incurring liability. Improper installation, adjustment, alteration, service or maintenance can cause property damage or personal injury. Installation and service must be performed by a qualified installer and servicing agency.



INDOOR AIR QUALITY MERV 8 FILTERS HEALTHY CLIMATE®

PRODUCT CATALOG

Pleated Filters

Page 11

April 2019

Supersedes February 2019

FEATURES

Healthy Climate® MERV 8 pleated filter

MERV 8 (Minimum Efficiency Reporting Value) - Based on ASHRAE 52.2

1 in. thick disposable, pleated filter media.

Sold in packages of 4.



Filter Size		Catalog No. (Package of 4)
in.	mm	
14 x 20 x 1	356 x 508 x 25	91X23
15 x 20 x 1	381 x 508 x 25	91X24
16 x 20 x 1	406 x 508 x 25	98N46
20 x 20 x 1	508 x 508 x 25	98N43
14 x 25 x 1	406 x 635 x 25	98N45
16 x 25 x 1	406 x 635 x 25	98N42
18 x 25 x 1	457 x 635 x 25	91X25
20 x 25 x 1	508 x 635 x 25	98N44
25 x 25 x 1	635 x 635 x 25	91X26



NOTE - Due to Lennox' ongoing commitment to quality, Specifications, Ratings and Dimensions subject to change without notice and without incurring liability. Improper installation, adjustment, alteration, service or maintenance can cause property damage or personal injury. Installation and service must be performed by a qualified installer and servicing agency.



INDOOR AIR QUALITY HEPA HEALTHY CLIMATE®

PRODUCT CATALOG

HEPA Bypass Air Filtration System

Page 12
April 2019

Supersedes February 2019

FEATURES

Designed for use in forced air systems or can be used independently.

Three-stage filtration process:

Stage one - the pre-filter removes large particulates.

Stage two - HEPA filter captures 99.97% of particulates 0.3 micron and larger.

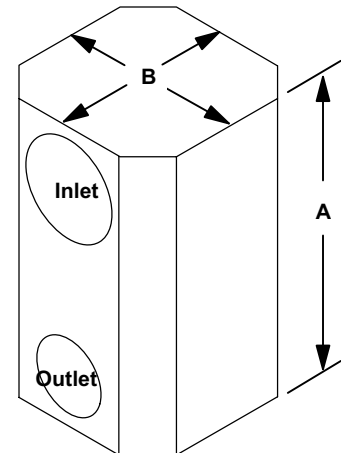
Stage three - carbon filter captures chemicals and odors from the air.

Cabinet is constructed of painted, heavy-gauge galvanized steel that is completely insulated.



All covered components - five years
Refer to Lennox Equipment Limited
Warranty certificate included with
unit for specific details.

DIMENSIONS



	HEPA-20	HEPA-40 HEPA-60
A	17-7/8 (454)	28 (711)
B	14 (356)	16-1/8 (410)
Connections	Inlet	8 (203)
	Outlet	6 (152)
		10 (254)
		8 (203)

SPECIFICATIONS

	Model No.	HEPA-20	HEPA-40	HEPA-60
Nominal Air Flow at 120VAC and 0 in. w.g. external static pressure - cfm		180	320	500
Electrical characteristics		120V-60hz-1 ph		
Power Consumption		125 watts	125 watts	225 watts
Amp Draw		1	1	1.8
Connections - in.	inlet - round	8	10	10
	outlet - round	6	8	8
Operating Temperature Range		30 - 95°F	30 - 95°F	30 - 95°F
Shipping weight	lbs. - 1 package	30	44	49

OPTIONAL ACCESSORIES / MAINTENANCE ITEMS - ORDER SEPARATELY

Annual Maintenance Kits (charcoal filters, carbon pre-filter, O-ring)		X5803	X5804	X5804
Replacement Filter Media	HEPA	92X17	92X10	92X10
	Carbon Pre-filter	95X12	92X08	92X08
	Carbon Inner Filter	X2678	92X09	92X09
Carbon Canister		94X98	98X75	98X75
Interlock Kit		X2680	X2680	X2680

NOTE - Due to Lennox' ongoing commitment to quality, Specifications, Ratings and Dimensions subject to change without notice and without incurring liability. Improper installation, adjustment, alteration, service or maintenance can cause property damage or personal injury. Installation and service must be performed by a qualified installer and servicing agency.



PRODUCT CATALOG

Ultraviolet Germicidal Light

Page 13

April 2019

Supersedes February 2019

FEATURES

Lights are designed to fit into a wide variety of applications including indoor coils, air handlers and supply and return air duct work.

Installation requires drilling a one inch diameter hole per lamp (two holes required for dual lamp model).

The lamp emits C-Band ultra-violet (UVC) energy at 253.7 nanometers, which is proven to be effective in reducing microbes such as viruses, bacteria, yeasts, and molds. This process either destroys the organism or controls its ability to reproduce. UVC germicidal light greatly reduces the growth and proliferation of mold and other bioaerosols (bacteria and viruses) on illuminated surfaces (particularly coil and drain pan).

Surfaces must be cleaned prior to UVC light being installed.

Integrated safety interlock switch on lamp base prevents lamp operation when lamp is removed from lamp base for servicing.

Waterproof power cord fitting on lamp base holder assembly.



Light assembly consists of lamp holder sub-assembly (two for dual lamp model), enhanced ballast, lamp(s), and all necessary mounting hardware. Shielding baffle for lamp is available and must be ordered separately.

Lamp base with tool-less (twist-lock) lamp removal for servicing and replacement.

Low power consumption, high UVC output lamp(s).

Electronic rapid-start ballast.

Heavy-duty flexible 6 ft. power cord (18 AWG, SJT, UL rated) with in-line disconnect.

LED status indicators on ballast.

DIMENSIONS

		UVC-24V	UVC-41W-S UVC-41W-D
Ballast	Length	4-3/4 (121)	11-3/4 (298)
	Width	2-1/4 (57)	2-3/4 (70)
	Height	2 (51)	1-5/8 (41)
Lamp + holder - Overall length		17-1/2 (445)	



SPECIFICATIONS

		Model No.	UVC-24V	UVC-41W-S	UVC-41W-D
Number of Lamps			1	1	2
¹ Microwatt/cm² Output			320	670	(2) 670
Shipping Data	lbs. - 1 package		4	6	7
Electrical Data	Voltage - 50/60 hz - 1 phase		² 24V	110/230V-1 phase	110/230V-1 phase
	Input Line Current (Amps)		1.0	1.3	1.3
	Input Power (W)		24	41	82

MAINTENANCE ITEMS / OPTIONAL ACCESSORIES - ORDER SEPARATELY

Replacement Lamp(s)	Blue Tip	16 in. Lamp	Y0390			
	Green Tip	16 in. Lamp	Y0391	•		3 •
Shielding Baffle		For 14 in. Lamp	Y5172	•	•	•
		For 16 in. Lamp	Y5171	•		
Transformer		120V/24V 40VA	42J32	•		
		120-240V/24V 75VA	12P61	•		

¹ Test conditions: new lamps, 500 fpm air velocity, 70°F air temperature, measured 12 in. from lamp.

² 24VA capacity step-down transformer required (not furnished).

³ Two lamps required.

NOTE - Due to Lennox' ongoing commitment to quality, Specifications, Ratings and Dimensions subject to change without notice and without incurring liability. Improper installation, adjustment, alteration, service or maintenance can cause property damage or personal injury. Installation and service must be performed by a qualified installer and servicing agency.



**INDOOR AIR QUALITY
UV
HEALTHY CLIMATE®**

PRODUCT CATALOG

Ultraviolet Germicidal Light

Page 14
April 2019

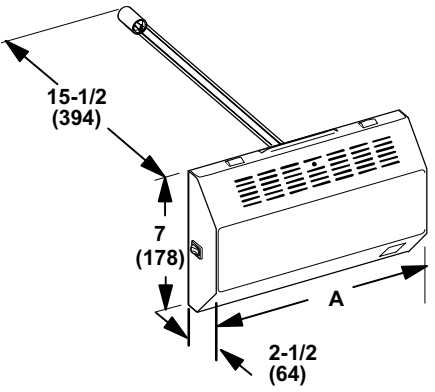
Supersedes February 2019

FEATURES

- Ultraviolet Light Destroys and Controls Micro-Organisms (Viruses, Bacteria, Yeasts and Molds)
- Low Power Consumption
- Detachable 8 ft., three-prong power cord
- Low power consumption, high UVC output lamp(s)
- High Output Electronic Ballast
- Low Maintenance
- Air Seal Gasket
- External, UV-Proof Viewing Port
- Easily Installs in Return Air Duct or near Indoor Coil or Supply Air Duct
- Lighted On/Off Switch
- External Fuse



DIMENSIONS



	A
1000	11 (279)
2000	17 (432)



SPECIFICATIONS

General Data	Model No.	UV-1000	UV-2000
	Number of lamps	1	2
¹ Microwatt/cm ² Output		1496	2138
Shipping Data	lbs. - 1 package	9	12
Electrical Data	Voltage - 60 hz - 1 phase	120V	120V
	Input Line Current (Amps)	0.46	0.9
	Input Power (W)	56	108

OPTIONAL ACCESSORIES - ORDER SEPARATELY

Remote Interlock Switch	64X53	Standard
Replacement lamp(s)	64X56	64X56 2 required

¹ Test conditions: new lamps, 500 cfm air flow, 50°F air temperature, measured 12 in. from lamp.

OVERVIEW

Whole-house ventilation for improved indoor air quality and comfort. Automatic monitoring of outdoor temperature and indoor relative humidity.

Compatible with any forced air HVAC system.

Digital Ventilation Controller is installed in the return duct of a forced air HVAC system.

Meets ASHRAE 62.22010 Standard for Ventilation.

Working in conjunction with the supplied damper, the Ventilation Controller determines when and how long to ventilate. This is done through continuous monitoring of indoor relative humidity, outdoor temperature, and user-adjusted timer settings.

Indoor relative humidity is monitored to help prevent high humidity conditions inside the house. The Digital Ventilation Controller will not open the damper to the outside air if there is a chance of raising the humidity inside the house to high levels.

The Digital Ventilation Controller prevents ventilation operation when indoor relative humidity is above 55% and the outside temperature is above 50°F to prevent excess indoor humidity levels.

The Digital Ventilation Controller operates in one of four available modes.

- Mode A: Timer Controlled Ventilation (no temperature or humidity limits)
- Mode B: Timer Controlled Ventilation (with temperature and humidity limits)
- Mode C: Timer Controlled Ventilation for Cold Climates (with temperature and humidity limits)
- Mode D: Timer Controlled Ventilation for Warm Climates (with temperature and humidity limits)



LIMITED WARRANTY

Two-year limited warranty in residential applications. Refer to Lennox Equipment Limited Warranty certificate included with unit for specific details.

COMPONENTS

Kit (X4141) includes Digital Ventilation Controller, motorized damper, outdoor temperature sensor, "time only" resistor, and 24 VAC transformer.

Controller - Input: 22 to 30 VAC, 2.0VA nominal

Damper Output: 18 to 30 VAC, 10VA nominal

Temperature accuracy: $\pm 5^\circ\text{F}$

Relative Humidity Accuracy: $\pm 5\%$ RH

Ventilation Time: 0-60 minutes (selectable)

Must be installed at least 6 inches up-stream from fresh air intake duct, humidifier or humidifier bypass duct work.

Indoor Humidity is measured in the return duct with a sensor built into the Controller.

Controller Settings:

Ventilation Time - Set by the knob on front exterior of controller. Unlimited settings from Off to 60 minutes.

Test - "TEST" setting is all the way clockwise on the Ventilation Time knob. This setting is used to check the Controller at installation. In Test mode the Ventilation Controller activates the HVAC blower and opens the damper for one minute or until the knob is taken off the "Test" setting, whichever occurs first.

After the minute has passed, the Ventilation Controller will not work until the knob is placed in the "off" position for several seconds then setting it to the desired ventilation time.

Outdoor Temperature Sensor -

Senses outdoor temperature and reports to the controller.

Sensor should be installed in the fresh air intake hood (field provided) or in the intake duct, no more than three feet from the outside wall.

If the outdoor temperature is above 100°F or below 0°F, the damper will not open.

Damper - 6 in. diameter, 10-3/4 in. length

Normally-closed, power-open 24 VAC / 0.31 amp / Two-wire

Transformer - 120V primary, 24 VAC secondary 10VA output



**INDOOR AIR QUALITY
HCWP3
HEALTHY CLIMATE®**

PRODUCT CATALOG

**Power Humidifier
18 Gallons Per Day**

Page 17

April 2019

Supersedes February 2019

FEATURES

Corrosion Resistant Plastic Housing
Distribution tray provides even water distribution.

Large Evaporative Capacity

24 Volt Brass Solenoid Valve

Saddle Valve

Duct Mount

Manual Humidistat models provide manual control of room relative humidity.

Automatic Humidifier Control models senses indoor relative humidity and outdoor temperature to adjust humidity setpoint to provide optimum humidity levels within the space.

Easy Service Access

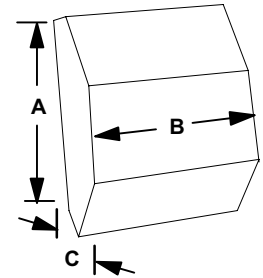


Automatic Humidifier Control (furnished with "A" Models)

Manual Humidistat (furnished with standard Models)



DIMENSIONS



	A	B	C
HCWP3-18	16	16	11-3/8
HCWP3-18A	(406)	(406)	(288)

LIMITED WARRANTY

All covered components - Five year limited warranty in residential applications, one year in non-residential applications.

Filter media is not covered.

Refer to Healthy Climate Equipment Limited Warranty certificate included with cabinet for specific details.



SPECIFICATIONS

Model No.	Manual Humidistat Control Automatic Humidifier Control	HCWP3-18 HCWP3-18A
Type		Power
Plenum Connection		Supply
Capacity	Air plenum temperature U.S. Gallons per day	120°F 18
Connections in.	Plenum - H x W - in. Water supply Drain Electrical	14-5/16 x 14-3/4 1/4 compression 1/2 I.D. Power cord w/ 3-prong plug
Evaporator pad size - in.		13 x 10 x 1-11/16
Electrical characteristics		120V-60hz-1ph - 0.8 amp
Shipping weight - lbs. - 1 package		15
OPTIONAL ACCESSORIES		
Healthy Climate® Digital Automatic Humidistat		Y3760
MAINTENANCE SUPPLIES		
Replacement Media		X2661

NOTE - Due to Lennox' ongoing commitment to quality, Specifications, Ratings and Dimensions subject to change without notice and without incurring liability. Improper installation, adjustment, alteration, service or maintenance can cause property damage or personal injury. Installation and service must be performed by a qualified installer and servicing agency.



INDOOR AIR QUALITY HCWB3 HEALTHY CLIMATE®

PRODUCT CATALOG

By-Pass Humidifier
12 to 17 Gallons Per Day

Page 18
April 2019

Supersedes February 2019

FEATURES

- Corrosion Resistant Plastic Housing
- Right or Left-Hand Air Flow
- Built-in Damper
- Distribution tray provides even water distribution.
- Large Evaporative Capacity
- 24 Volt Brass Solenoid Valve
- Saddle Valve
- Manual Humidistat models provide manual control of room relative humidity.
- Automatic Humidifier Control models sense indoor relative humidity and outdoor temperature to provide optimum humidity levels within the space.
- Easy Service Access

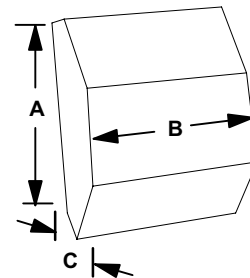


Automatic Humidifier Control (furnished with "A" Models)

Manual Humidistat (furnished with standard Models)



DIMENSIONS



	A	B	C
HCWB3-12	12-7/8	12	10-1/4
HCWB3-12A	(327)	(305)	(260)
HCWB3-17	15-7/8	12	10-1/2
HCWB3-17A	(403)	(305)	(267)



LIMITED WARRANTY

All covered components - Five year limited warranty in residential applications, one year in non-residential applications.
Filter media is not covered.
Refer to Healthy Climate Equipment Limited Warranty certificate included with cabinet for specific details.

SPECIFICATIONS

Model No.	Manual Humidistat Control	HCWB3-12	HCWB3-17
	Automatic Humidifier Control	HCWB3-12A	HCWB3-17A
	With Manual Humidistat Control and Installation Kit (Canada only)	HCWB3-12K	HCWB3-17K
	With Automatic Humidifier Control and Installation Kit (Canada only)	HCWB3-12AK	HCWB3-17AK
Type		By-Pass	By-Pass
Plenum Connection		Return	Return
Capacity	Air plenum temperature	120°F	120°F
	U.S. Gallons per day	12	17
Connections	Plenum - H x W - in.	9-1/2 x 9-1/2	12-3/4 x 10
	By-Pass Duct - in.	6 (round)	6 (round)
	Water supply	1/4 compression	1/4 compression
	Drain	1/2 I.D.	1/2 I.D.
	Electrical	Hard-wired	Hard-wired
Evaporator pad size - in.		9-1/2 x 9-5/8 x 1-11/16	13 x 10 x 1-11/16
Electrical characteristics		24V-60hz-1ph - 0.5 amp	24V-60hz-1ph - 0.5 amp
Shipping weight - lbs. - 1 package		8	9
OPTIONAL ACCESSORIES			
Healthy Climate® Digital Automatic Humidistat		Y3760	Y3760
MAINTENANCE SUPPLIES			
Replacement Media		X2660	X2661

NOTE - Due to Lennox' ongoing commitment to quality, Specifications, Ratings and Dimensions subject to change without notice and without incurring liability. Improper installation, adjustment, alteration, service or maintenance can cause property damage or personal injury. Installation and service must be performed by a qualified installer and servicing agency.



INDOOR AIR QUALITY HRV/ERV HEALTHY CLIMATE®

PRODUCT CATALOG

FEATURES

NOTE - iComfort® S30 and E30 Smart Wi-Fi Thermostats can control HRV and ERV units without the need for a separate controller.

Thermally Conductive Patented Aluminum Core Transfers Heat (HRV)

Enthalpic Core Transfers Moisture and Heat (ERV)

ERV Models Recommended for Areas With High Humidity
Recirculating Damper Defrost: (HRV3-095, HRV3-150-TPD, HRV5-150, HRV5-200-TPD, HRV5-HEX095-TPD, HRV5-270-TPD-ECM, ERV5-150-TPD, ERV5-175-TPD, ERV5-130)

Damper Defrost: (HRV3-195)

Capable of interlocking with indoor blower

Dual, Centrifugal Type Direct Drive Blower with multi-speed PSC Motor (All models except HRV5-270-TPD-ECM)

Blower with Electronically Commuted (EC) Motors (HRV5-270-TPD-ECM Only)

Safety Interlock Switch

Washable, MERV 6 Air Filters in Exhaust and Supply Air Streams

Access Panels With Quick Release Catches

Fully Insulated Pre-painted Steel Cabinet

Control Box with control circuit board and transformer.

Terminal strip

Four Threaded Inserts Furnished for Hanging Unit

Condensate drain (HRV models)

3-prong 120VAC Plug-in Connection



ERV5-130



HRV3-150-TPD, HRV5-200-TPD,
HRV5-HEX095-TPD, HRV5-270-TPD-ECM,
ERV5-150-TPD, ERV5-175-TPD



HRV3-095

(Not shown - HRV3-195)



HRV5-150

	HRV3-095	HRV3-150-TPD ERV5-150	ERV5-130	HRV5-150 ERV3-200
A	24-1/2 (422)	17-1/4 (438)	9-3/4 (248)	19 (483)
B	16 (406)	14 (356)	19-3/8 (492)	14-3/4 (375)
C	18-1/2 (470)	22-3/4 (578)	25-3/4 (654)	33-5/8 (854)
	HRV5-200-TPD HRV5-270-TPD-ECM *ERV5-175-TPD	HRV5-HEX095-TPD	HRV3-195	
A	18-3/4 (476)	18-3/4 (476)	19 (483)	
B	14 (356) *15 (381)	15 (381)	14-3/4 (375)	
C	33-5/8 (854)	29-1/4 (743)	49 (1245)	

LIMITED WARRANTY

HRV Core - Limited lifetime

ERV Core - 5 years

All other covered components - 5 years

Refer to Limited Warranty Certificate included with the equipment for more details.

ACCESSORIES

Controls

- iComfort® S30 Ultra-Smart Thermostat
- iComfort® E30 Smart Wi-Fi Thermostat
- Basic Two-Speed Control
- Five Speed/Four Mode Programmable Control
- Wired 20/40/60 Minute Fan Timer
- Wireless 20/40/60 Minute Fan Timer
- Wireless Repeater

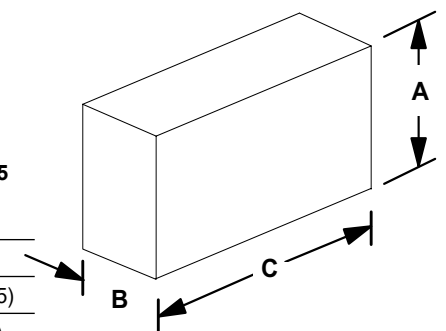
Air Balancing Tools

- Door Port Gauge Tube Set
- Pitot Tubes
- Butterfly Balancing Damper
- Backdraft Damper

Ductwork

- Duct Heaters
- Flexible Ducts
- Hinged Kitchen Exhaust Grille
- Round Diffusers
- Weatherhood Kit

DIMENSIONS



NOTE - Due to Lennox' ongoing commitment to quality, Specifications, Ratings and Dimensions subject to change without notice and without incurring liability. Improper installation, adjustment, alteration, service or maintenance can cause property damage or personal injury. Installation and service must be performed by a qualified installer and servicing agency.

SPECIFICATIONS - HRV

		Model No. No. of Cores	HRV3-095 Single	HRV5-150 Single	HRV3-150-TPD Single	HRV5-HEX095-TPD Single
ENERGY STAR® Qualified (Canada Only)			Yes	Yes	No	Yes
Performance	Adjusted Sensible Recovery Efficiency @ 32°F		88% (59 cfm)	81% (64 cfm)	68% (66 cfm)	77% (64 cfm)
	Sensible Recovery Efficiency @ 32°F		75% (59 cfm)	75% (64 cfm)	61% (66 cfm)	71% (64 cfm)
	Adjusted Sensible Recovery Efficiency @ -13°F		86% (61 cfm)	74% (64 cfm)	65% (76 cfm)	71% (68 cfm)
	Sensible Recovery Efficiency @ -13°F		68% (61 cfm)	71% (64 cfm)	61% (76 cfm)	69% (68 cfm)
Blower	Air Flow (cfm)	0.1 in. w.g.	68	184	169	110
	vs. Static Pressure	0.2 in. w.g.	66	163	156	104
		(high speed)	0.3 in. w.g.	64	146	149
	(HVI Certified)	0.4 in. w.g.	59	132	136	89
		0.5 in. w.g.	55	115	126	78
		0.6 in. w.g.	---	92	116	70
		0.7 in. w.g.	---	60	103	59
		0.8 in. w.g.	---	---	89	47
		0.9 in. w.g.	---	---	77	---
		1.0 in. w.g.	---	---	58	---
Number of Speeds Available (with S30/E30 or Basic Control)			2	2	2	2
Number of Speeds Available (with Digital Control)			5	5	5	5
Defrost type			Recirculating	Recirculating	Recirculating	Recirculating
Door Port Balancing			No	Yes	Yes	Yes
Balancing Damper in Intake and Exhaust Collar			No	Yes	Yes	Yes
Duct Connections (No.) & diameter - inch			(2) 5 outside	(2) 6 outside	(2) 5 outside	(2) 5 outside
Ports			(2) 6 inside	(2) 6 inside	(2) 5 inside	(2) 5 inside
Condensate drain (o.d.) - in. (includes tee)			(2) 1/2	(2) 1/2	(2) 1/2	(2) 1/2
Shipping weight - lbs.			56	73	54	54

ELECTRICAL DATA

		120 volts - 60 hertz - 1 phase			
	Voltage				
	Blower HP (PSC type)	1/20	1/10	1/20	1/10
	Fan Watts - high speed @ 0.3 in. w.g.	150	118	110	118
	Fan Watts - low speed @ 0.3 in. w.g.	60	66	57	66
	Amp Rating	0.9	1.4	1.3	1.4

		Model No. No. of Cores	HRV5-200-TPD Single	HRV3-195 Dual	HRV5-270-TPD-ECM Single
ENERGY STAR® Qualified (Canada Only)			Yes	Yes	Yes
Performance	Adjusted Sensible Recovery Efficiency @ 32°F		77% (64 cfm)	88% (73 cfm)	77% (64 cfm)
	Sensible Recovery Efficiency @ 32°F		71% (64 cfm)	82% (73 cfm)	75% (64 cfm)
	Adjusted Sensible Recovery Efficiency @ -13°F		73% (102 cfm)	74% (112 cfm)	71% (70 cfm)
	Sensible Recovery Efficiency @ -13°F		68% (102 cfm)	72% (112 cfm)	70% (70 cfm)
Blower	Air Flow (cfm)	0.1 in. w.g.	203	216	280
	vs. Static Pressure	0.2 in. w.g.	193	195	273
		(high speed)	0.3 in. w.g.	182	181
	(HVI Certified)	0.4 in. w.g.	172	158	261
		0.5 in. w.g.	159	144	254
		0.6 in. w.g.	148	125	248
		0.7 in. w.g.	136	107	242
		0.8 in. w.g.	121	72	235
		0.9 in. w.g.	108	---	227
		1.0 in. w.g.	93	---	220
Number of Speeds Available (with S30/E30 or Basic Control)			2	2	2
Number of Speeds Available (with Digital Control)			5	5	5
Defrost type			Recirculating	Damper	Recirculating
Door Port Balancing			Yes	No	Yes
Balancing Damper in Intake and Exhaust Collar			Yes	No	Yes
Duct Connections (No.) & diameter - inch			(2) 6 outside	(2) 6 outside	(2) 6 outside
Ports			(2) 6 inside	(2) 7 inside (1) 6 defrost	(2) 6 inside
Condensate drain (o.d.) - in. (includes tee)			(2) 1/2	(2) 1/2	(2) 1/2
Shipping weight - lbs.			67	92	67

ELECTRICAL DATA

		120 volts - 60 hertz - 1 phase		
	Voltage			
	Blower HP (PSC type)	1/10	1/10	1/10 (ECM)
	Fan Watts - high speed @ 0.3 in. w.g.	96	173	244
	Fan Watts - low speed @ 0.3 in. w.g.	64	64	22
	Amp Rating	1.4	1.5	2.1

NOTE - Effectiveness is based on temperature difference between the two airstreams. Efficiency includes parasitic losses from fan operation.

NOTE - Due to Lennox' ongoing commitment to quality, Specifications, Ratings and Dimensions subject to change without notice and without incurring liability. Improper installation, adjustment, alteration, service or maintenance can cause property damage or personal injury. Installation and service must be performed by a qualified installer and servicing agency.

SPECIFICATIONS - ERV

		Model No.	ERV5-130	ERV5-150-TPD	ERV5-175-TPD
		No. of Cores	Single	Single	Single
ENERGY STAR® Qualified (Canada Only)			Yes	No	No
Performance	Adjusted Sensible Recovery Efficiency @ 32°F		77% (64 cfm)	82% (64 cfm)	85% (66 cfm)
	Sensible Recovery Efficiency @ 32°F		72% (64 cfm)	75% (64 cfm)	75% (66 cfm)
	Adjusted Sensible Recovery Efficiency @ -13°F		60% (55 cfm)	64% (70 cfm)	62% (68 cfm)
	Sensible Recovery Efficiency @ -13°F		56% (55 cfm)	60% (70 cfm)	58% (68 cfm)
	Latent Efficiency @ 95 °F		38% (64 cfm)	43% (66 cfm)	41% (64 cfm)
	Total Efficiency @ 95 °F		44% (64 cfm)	48% (66 cfm)	48% (64 cfm)
Blower	Air Flow (cfm)	0.1 in. w.g.	133	161	195
	vs. Static Pressure (high speed) (HVI Certified)	0.2 in. w.g.	129	155	184
		0.3 in. w.g.	125	146	172
		0.4 in. w.g.	123	138	161
		0.5 in. w.g.	119	127	150
		0.6 in. w.g.	112	117	140
		0.7 in. w.g.	108	104	129
		0.8 in. w.g.	102	93	117
		0.9 in. w.g.	95	83	106
		1.0 in. w.g.	87	74	93
Number of Speeds Available (with S30/E30 or Basic Control)			2	2	2
Number of Speeds Available (with Digital Control)			5	5	5
Defrost type			Recirculating	Recirculating	Recirculating
Door Port Balancing			Yes	Yes	Yes
Balancing Damper in Intake and Exhaust Collar			No	Yes	Yes
Duct Ports	Connections (No.) & diameter - inch		(2) 5 outside (2) 5 inside	(2) 5 outside (2) 5 inside	(2) 6 outside (2) 6 inside
Condensate drain (o.d.) - in. (includes tee)			- - -	(2) 1/2	(2) 1/2
Shipping weight - lbs.			39	54	67
ELECTRICAL DATA					
		Voltage	120 volts - 60 hertz - 1 phase		
		Blower HP (PSC type)	1/10	1/20	1/20
		Fan Watts - high speed @ 0.3 in. w.g.	182	173	142
		Fan Watts - low speed @ 0.3 in. w.g.	70	63	62
		Amp Rating	1.4	1.4	1.4

NOTE - Effectiveness is based on temperature difference between the two airstreams. Efficiency includes parasitic losses from fan operation.

Certain models have earned the ENERGY STAR® mark by meeting strict energy efficiency guidelines set by Natural Resources Canada and the U.S. EPA. These models meet ENERGY STAR requirements only when used in Canada.



NOTE - Due to Lennox' ongoing commitment to quality, Specifications, Ratings and Dimensions subject to change without notice and without incurring liability. Improper installation, adjustment, alteration, service or maintenance can cause property damage or personal injury. Installation and service must be performed by a qualified installer and servicing agency.

OPTIONAL ACCESSORIES - HRV - ORDER SEPARATELY

Model No.		HRV3-095	HRV3-150-TPD	HRV5-150	HRV5-200-TPD	HRV3-195	HRV5-HEX095-TPD	HRV5-270-TPD-ECM
Air Balancing Tools	Door Port Gauge Tube Set	N/A	Y2207	Y2207	Y2207	N/A	Y2207	Y2207
Backdraft Damper	5 in. diameter	Y3728	Y3728	---	---	---	Y3728	---
	6 in. diameter	---	---	Y3727	Y3727	Y3727	---	Y3727
Butterfly Damper	6 inch diameter	91X09	Furnished	Furnished	Furnished	---	Furnished	Furnished
	7 inch diameter	---	---	---	---	Field Provided	---	---
iComfort® Controls	S30 Ultra-Smart Thermostat	12U67	12U67	12U67	12U67	12U67	12U67	12U67
	E30 Smart Thermostat	15S63	15S63	15S63	15S63	15S63	15S63	15S63
Controls	Basic 2 Speed Control	Y8249	Y8249	Y8249	Y8249	Y8249	Y8249	Y8249
	Digital 5 Speed/4 Mode Control	Y8250	Y8250	Y8250	Y8250	Y8250	Y8250	Y8250
	Wired 20/40/60 Minute Fan Timer	Y2169	Y2169	Y2169	Y2169	Y2169	Y2169	Y2169
	¹ Wireless 20/40/60 Minute Fan Timer	Y8251	Y8251	Y8251	Y8251	Y8251	Y8251	Y8251
	Wireless Repeater	Y8252	Y8252	Y8252	Y8252	Y8252	Y8252	Y8252
² Dual Hood		Y3813	Y3813	Y3813	Y3813	Y3813	Y3813	Y3813
Duct Heaters	6 in. diameter (1 kW)	97E73	97E73	97E73	97E73	97E73	97E73	97E73
	6 in. diameter (2 kW)	20N16	20N16	20N16	20N16	20N16	20N16	20N16
	7 in. diameter (2 kW)	97E74	97E74	97E74	97E74	97E74	97E74	97E74
	Voltage/Phase (60 Hz)	120/1	120/1	120/1	120/1	120/1	120/1	120/1
	Amps - 1 kW Heater	8.3	8.3	8.3	8.3	8.3	8.3	8.3
	Amps - 2 kW Heaters	16.7	16.7	16.7	16.7	16.7	16.7	16.7
³ Flexible Ducts - No. & dia. - in.		(2) 5	(2) 5	(2) 6	(2) 6	(2) 6	(2) 6	(2) 6
Hinged Kitchen Exhaust Grille		18N48	18N48	18N48	18N48	18N48	18N48	18N48
Round Diffusers	4 in. diameter	92E54	92E54	92E54	92E54	92E54	92E54	92E54
	5 in. diameter	92E55	92E55	92E55	92E55	92E55	92E55	92E55
	6 in. diameter	92E56	92E56	92E56	92E56	92E56	92E56	92E56
	8 in. diameter	56N81	56N81	56N81	56N81	56N81	56N81	56N81
⁴ Weatherhood Kit (2 per kit)	5 in. diameter	92E66	92E66	92E66	92E66	92E66	92E66	92E66
	6 in. diameter	95P07	95P07	95P07	95P07	95P07	95P07	95P07
	7 in. diameter	17N11	17N11	17N11	17N11	17N11	17N11	17N11

¹ Wireless Timer (Y8251) is only compatible with Basic or Digital Control. For S30 or E30 use Wired Timer (Y2169).

² See Dual Hood Pressure Drop/Airflow Charts for applications.

³ Contact your Territory Manager for additional information.

⁴ Two Required, one for fresh air intake, one for stale air exhaust.



PRODUCT CATALOG

INDOOR AIR QUALITY HCWHD HEALTHY CLIMATE®

Whole-Home Dehumidifier
Nominal Capacity - 70 to 130 pints per day

Page 23

April 2019

Supersedes February 2019

FEATURES

Designed to control humidity throughout the home or in specific locations such as an attic or basement. Also used for air cycling and ventilation control.

Filter

Includes washable, MERV 8 (Minimum Efficiency Reporting Value) filter.

Evaporator Coil

Aluminum coil for superior corrosion resistance.

Compressor

R-410A, rotary-type compressor.

Blower

Blower assembly is a UL approved impeller type with backward curved centrifugal fan equipped with maintenance free ball bearings. Operates during both ventilation and dehumidification modes.

Cabinet

Constructed of 22 gauge, pre-painted steel. Interior is lined with 1/2 in., foil-faced, expanded polystyrene to eliminate noise, condensation and air loss.

The supply outlet is equipped with a built-in backflow damper.

Duct start collars are included.

Digital Onboard Control

Factory installed control handles operation of unit.



REQUIRED COMPONENTS

- Drain Pan

ACCESSORIES

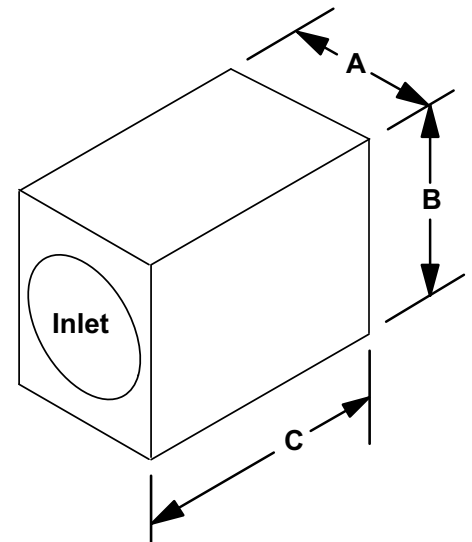
- iComfort® S30 Thermostat
- Whole-Home Dehumidistat
- Basement Kit
- Ventilation and Zone Dampers
- Outdoor Air Temperature Sensor
- Discharge Air Temperature Sensor
- Transformer

LIMITED WARRANTY

All covered components – Limited five year warranty in residential applications, one year in non-residential applications.

Refer to Lennox Equipment Limited Warranty certificate included with equipment for details.

DIMENSIONS



	A	B	C
HCWHD3-070	12-1/2 (318)	15-1/8 (384)	25 (635)
HCWHD3-095	12-1/2 (318)	15-1/8 (384)	27-1/2 (699)
HCWHD3-130	19-1/2 (495)	18-3/4 (476)	30 (762)

SPECIFICATIONS

Model No.	HCWHD3-070	HCWHD3-095	HCWHD3-130
Energy Star Qualified	Yes	No	Yes
Capacity	¹ 70 pints per day	² 95 pints per day	³ 130 pints per day
Energy Factor	¹ 2.0 L/kW-h	² 2.2 L/kW-h	³ 2.9L/kW-h
Capacity in Non-Rating Conditions	70°F / 60% RH = 55 ppd	70°F / 60% RH = 74 ppd	70°F / 60% RH = 99 ppd
	60°F / 60% RH = 40 ppd @ 155 cfm	60°F / 60% RH = 52 ppd @ 245 cfm	60°F / 60% RH = 72 ppd @310 cfm
Discharge Air Temperature Rise (°F)	10 - 30	10 - 30	10 - 30
Refrigerant	R-410A	R-410A	R-410A
Sound Level (dBA)	Ducted	47	50
	Unducted	51	54
Connections - in.	Drain diameter (PVC)	⁴ 3/4	⁴ 3/4
	Duct diameter	10	10
Operating Conditions (temperature, RH)	Inlet Air	50°F - 104°F, 40°F dewpoint minimum	50 - 104°F, 40° dewpoint minimum
	Installation (ambient)	40°F - 140°F, 0 - 99% (non-condensing)	40 - 140°F, 0 - 99% RH (non-condensing)
Blower Data (external static pressure - dry coil)	Air Flow	155 cfm @ 0.0 in. w.c.	245 cfm @ 0.0 in. w.c.
		115 cfm @ 0.2 in. w.c.	215 cfm @ 0.2 in. w.c.
		70 cfm @ ⁵ 0.4 in. w.c.	185 cfm @ 0.4 in. w.c.
		---	150 cfm @ ⁵ 0.6 in. w.c.
		---	---
Filter	Type	Washable, MERV 8	Washable, MERV 8
	Size - in.	10 x 12 x 1	10 x 12 x 1
Shipping Weight - lbs.	76	79	122

ELECTRICAL DATA

Line voltage data - 60 hz - 1ph	110/120V	110/120V	110/120V
⁵ Maximum overcurrent protection (amps)	15	15	15
⁵ Minimum Circuit Ampacity	8.42	11.23	11.51
Rated amperage (amps)	¹ 6.3	² 8	³ 8.3
Maximum normal operation amps	6.03	9.9	10.4
Compressor	Compressor rated load (amps)	6.45	8
	Compressor locked rotor (amps)	34	37
Blower rated power (watts)	60	135	124
Power connection	8 ft., 3-prong power cord		

¹ Rated capacity, Energy Factor test and current draw measured in accordance with AHAM DH-1 2008 at 80°F/60% RH inlet air at 155 cfm.

² Rated capacity, Energy Factor test and current draw measured in accordance with AHAM DH-1 2008 at 80°F/60% RH inlet air at 245 cfm.

³ Rated capacity, Energy Factor test and current draw measured in accordance with AHAM DH-1 2008 at 80°F/60% RH inlet air at 310 cfm.

⁴ Adaptor for threaded connection or plastic hose is furnished.

⁵ Refer to National or Canadian Electrical Code manual to determine wire, fuse and disconnect size requirements.

REQUIRED COMPONENTS			
Model No.	HCWHD3-070	HCWHD3-095	HCWHD3-130
Drain Pan - 36 x 36 in. (required for attic installations)	25P64	25P64	25P64
OPTIONAL ACCESSORIES			
Basement Kit - includes 2-10 in. NO dampers, 2-10 in. NC dampers, one 24V, 40VA transformer.	Y6451	Y6451	Y6451
Dampers Ventilation - 6 in. Normally Closed (NC) Ventilation - 10 in Normally Closed (NC) Zone - 10 in. Normally Open (NO)	X4152	X4152	X4152
	Y6483	Y6483	Y6483
	X4211	X4211	X4211
Damper Transformers Damper Transformer 24V, 40VA (hardwired, operates 1 damper only) Damper Transformer 24V, 40VA (plug in, operates up to 4 dampers)	22N03	22N03	22N03
	Y7128	Y7128	Y7128
OPTIONAL CONTROLS			
iComfort® S30 Ultra-Smart Wi-Fi Thermostat	12U67	12U67	12U67
Equipment Interface Module (EIM) - Required with iComfort® S30 Ultra-Smart Wi-Fi Thermostat (Dual-Fuel capable non-communicating heat pumps)	10T50	10T50	10T50
iComfort® E30 Smart Wi-Fi Thermostat	15S63	15S63	15S63
¹ Discharge Air Temperature Sensor	88K38	88K38	88K38
ComfortSense® 7500 Thermostat	13H14	13H14	13H14
² Remote Outdoor Air Temperature Sensor	X2658	X2658	X2658
¹ Discharge Air Temperature Sensor	88K38	88K38	88K38
ComfortSense® 7500 Thermostat	13H14	13H14	13H14
Whole-Home Dehumidistat	Y6456	Y6456	Y6456
³ Outdoor Air Temperature Sensor	58N66	58N66	58N66

¹ Optional for service diagnostics for communicating outdoor and indoor units (E30/S30 thermostats).

² Remote Outdoor Air Temperature Sensor allows the thermostat to display outdoor temperature.

³ Required for Automatic Ventilation Modes. Connects directly to dehumidifier.



FEATURES

OVERVIEW

The EDA unit is installed in an HVAC system downstream from the indoor coil or air handler. In dehumidification mode, the coil becomes an extension of the outdoor coil and rejects heat into the indoor air stream. This dehumidification mode allows significantly improved control of the humidity in the conditioned space without overcooling the space. The EDA unit includes a set of three-way diverter valves which route refrigerant through the EDA coil (Dehumidification ON), or which cause the refrigerant to bypass the EDA coil (Dehumidification OFF).

APPLICATIONS

The Humiditrol® Whole Home Dehumidification System is designed for use with Lennox R-410A outdoor units that are matched with either a furnace or air handler equipped with a variable speed blower motor. See EDA Match-up tables for specific matches available. Designed for R-410A expansion valve systems only. For indoor installations in either upflow or horizontal applications only. Height, space and air flow restrictions or the unit's stability in a stacked configuration will limit the use of downflow applications. Refer to Installation Instructions supplement Installing Humiditrol® EDA Unit in Downflow Configuration for more details.

Zoning Applications

The EDA Humiditrol Whole-Home Dehumidification System can be used with the Harmony III™ Zoning System.

A separate Humiditrol® Zoning Accessory must be used for proper operation. See Zoning section for additional information.



COMPONENTS

Dehumidification Coil

Durable copper tubing.
Ripple-edged aluminum fins.
Lanced fins provide maximum exposure of fin surface to air stream.
Rifled tubing provides superior refrigerant heat transfer.
Twin coil construction assembled in an "A" configuration for large surface area (036C and 060D models).
Single slab coil construction (024B model).
Sweat connections.
High pressure testing insures leakproof construction.

Combination Check/Flow Limiting Piston

Furnished with unit for field installation on the EDA unit.
Prevents refrigerant from flowing into the inactive components when the EDA coil is inactive.

Dual Refrigerant Diverter Valves

Heavy duty valves control refrigerant flow depending on mode.

3-Way Diverter Valve Actuator

Controls operation of refrigerant valves during EDA operation.
24VAC.

Three position actuator shaft for maintenance - Cooling, Evacuate or Bypass.

Outdoor Fan Relay and Wiring Harness

Required when EDA is used with outdoor units with multi-speed outdoor fans.

CONTROLS

- ComfortSense® 7500 Thermostat 2 Heat/2 Cool, Universal
- iComfort® S30 Thermostat

REQUIRED COMPONENTS

Insulation and Piping Kit

Kit includes all necessary piping, fittings and insulation required for EDA installation.

NOTE - Some model match-ups require a charge compensator to maintain the proper amount of refrigerant circulating in the system. The compensator stores excess refrigerant when the EDA coil is active and returns it to the system during normal cooling or heating operations. When the EDA coil is active, less charge is required to obtain the proper amount of subcooling because of the additional coil surface and the cooler air which passes over the EDA.

Charge compensator and related piping and insulation is furnished with certain Insulation and Piping Kits depending on the system match-up.

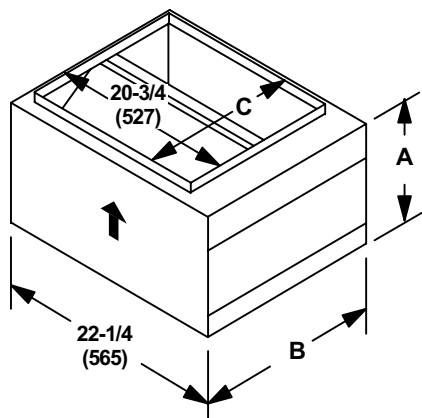
Transformer

75VA, 24VAC indoor unit transformer is required when EDA unit is installed with a two-stage heat pump system.

LIMITED WARRANTY

Five years limited warranty in residential applications. Refer to Lennox Equipment Limited Warranty certificate included with equipment for details.

NOTE - Due to Lennox' ongoing commitment to quality, Specifications, Ratings and Dimensions subject to change without notice and without incurring liability. Improper installation, adjustment, alteration, service or maintenance can cause property damage or personal injury. Installation and service must be performed by a qualified installer and servicing agency.



DIMENSIONS

Model Number	A		B		C		Inlet Air Opening			
							Width		Depth	
	inch	mm	inch	mm	inch	mm	inch	mm	inch	mm
EDA-024B	12-1/4	311	17-1/2	445	16-1/8	422	16-1/8	422	20-1/8	511
EDA-036C	12-1/4	311	21	533	19-5/8	498	19-5/8	498	20-1/8	511
EDA-060D	14	356	24-1/2	622	23-1/8	597	21-1/8	597	20-1/8	511

SPECIFICATIONS

General Data		Model No.	EDA-024B	EDA-036C	EDA-060D
Line Connections (sweat)	Liquid to Indoor TXV o.d. - in.		3/8	3/8	3/8
	Liquid from Outdoor Unit o.d. - in.		3/8	3/8	3/8
	Check/Flow Restrictor to Vapor Line Tee o.d. - in.		3/8	3/8	3/8
	Charge Compensator o.d. - in.		1/4	1/4	1/4
EDA Coil	Net face area - sq. ft.		2.0	3.0	4.0
	Tube diameter - in.		3/8	3/8	3/8
	Fins per inch		20	20	14
	Number of rows		1	1	1
Shipping Data	lbs. - 1 package		35	39	47

CONTROLS - ORDER SEPARATELY

	Model No.	EDA-024B	EDA-036C	EDA-060D
iComfort® S30 Ultra-Smart Wi-Fi Thermostat (4 heat / 2 cool)		12U67	12U67	12U67
iComfort® E30 Smart Wi-Fi Thermostat (3 heat / 2 cool)		15S63	15S63	15S63
¹ Discharge Air Temperature Sensor (for E30/S30)		88K38	88K38	88K38
iComfort® M30 Smart Wi-Fi Thermostat (4 heat / 2 cool)		15Z69	15Z69	15Z69
ComfortSense® 7500 Thermostat (4 heat / 2 cool)		13H14	13H14	13H14
ComfortSense® 7500 Commercial Thermostat (4 heat / 2 cool)		13H15	13H15	13H15
² Remote Outdoor Temperature Sensor (all thermostats) (for dual fuel, Humiditrol® and outdoor temperature display)		X2658	X2658	X2658
Dehumidification Relay Kit (for CBA27UHE air handlers)		26W62	26W62	26W62

¹ Optional for service diagnostics.

² Remote Outdoor Temperature Sensor is used with conventional (non-iComfort® Communicating) outdoor units (sensor is furnished with iComfort® Communicating outdoor units). Allows the thermostat to display outdoor temperature. Required in dual-fuel and Humiditrol® applications.

REQUIRED COMPONENTS - ORDER SEPARATELY

	Model No.	EDA-024B	EDA-036C	EDA-060D
ELECTRICAL				
⁴ Transformer		12P61 - 75VA, 120/208/240V primary, 24VAC secondary		
REFRIGERATION				
Insulation and Piping Kits		See EDA Match-Up tables for usage		

⁴ Required when EDA unit is installed with two-stage heat pump system.

EDA MATCH-UPS - AIR CONDITIONERS

Outdoor Unit Model No.	EDA Model No.	Sensible to Total Ratio	Liters per kWh	Liters per Day	EDA Insulation and Piping Kit Catalog No.
13ACX					
13ACXN018	EDA-024B	0.30	3.2	88	98M62
13ACXN024	EDA-024B	0.31	3.1	112	98M62
13ACXN030	EDA-036C	0.31	3.1	140	98M62
13ACXN036	EDA-036C	0.33	3.5	189	98M62
13ACXN042	EDA-060D	0.38	3.4	216	98M62
13ACXN048	EDA-060D	0.39	3.4	253	98M62
13ACXN060	EDA-060D	0.39	3.4	317	98M62
14ACX					
14ACX(-)(S)018	EDA-024B	0.25	3.6	100	98M62
14ACX(-)(S)024	EDA-024B	0.30	3.6	126	98M62
14ACX(-)(S)030	EDA-036C	0.32	3.3	142	98M62
14ACX(-)(S)036	EDA-036C	0.36	3.5	173	98M62
14ACX(-)(S)042	EDA-060D	0.41	3.3	203	98M62
14ACX-048	EDA-060D	0.40	3.3	260	98M62
14ACX-060	EDA-060D	0.39	3.5	308	98M22
16ACX					
16ACX-024	EDA-024B	0.32	3.5	129	98M22
16ACX-036	EDA-036C	0.39	3.4	192	98M62
16ACX-048	EDA-060D	0.43	3.2	234	98M62
16ACX-060	EDA-060D	0.45	3.2	298	98M22
EL16XC1					
EL16XC1-018	EDA-024B	0.25	3.6	100	98M62
EL16XC1-024	EDA-024B	0.30	3.6	126	98M62
EL16XC1-030	EDA-036C	0.32	3.3	142	98M62
EL16XC1(-)(S)036	EDA-036C	0.36	3.5	173	98M62
EL16XC1-042	EDA-060D	0.41	3.3	203	98M62
EL16XC1-048	EDA-060D	0.40	3.3	260	98M62
EL16XC1-060	EDA-060D	0.39	3.5	308	98M22
ML14ACX					
ML14XC1(-)(S)018	EDA-024B	0.25	3.6	100	98M62
ML14XC1(-)(S)024	EDA-024B	0.30	3.6	126	98M62
ML14XC1(-)(S)030	EDA-036C	0.32	3.3	142	98M62
ML14XC1(-)(S)036	EDA-036C	0.36	3.5	173	98M62
ML14XC1(-)(S)042	EDA-060D	0.41	3.3	203	98M62
ML14XC1-048	EDA-060D	0.40	3.3	260	98M62
ML14XC1-060	EDA-060D	0.39	3.5	308	98M22

SYSTEM MATCHES:

Must be one of the furnace or air handler models listed in the System Decision Tree (See page 38) and must be a certified AHRI system match-up (please visit www.LennoxPROs.com or <https://www.ahridirectory.org>).

Upflow and Horizontal Coil + Furnace Transitions

Field fabricated transition from coil to EDA is required when coil or furnace width is different from EDA unit matched with the outdoor unit.

Air Handler Transitions

Transition is required with all air handler matches.

ADDITIONAL NOTES:

- The system is not equivalent to a dehumidifier and will not normally run continuously for 24 hours.
- Approximate, based on 80°F Indoor Dry Bulb, 69.6°F Indoor Wet Bulb and 82°F Outdoor Air Temperature.
- Actual will vary within ± 0.03 depending on final installation variables.
- Typical unit S/T at this condition Without EDA is approximately 0.53 - 0.60.
- Liters per kWh and liters per day are approximate instantaneous values at the specified condition.

NOTE – Due to Lennox' ongoing commitment to quality, Specifications, Ratings and Dimensions subject to change without notice and without incurring liability. Improper installation, adjustment, alteration, service or maintenance can cause property damage or personal injury. Installation and service must be performed by a qualified installer and servicing agency.

EDA MATCH-UPS - AIR CONDITIONERS

Outdoor Unit Model No.	EDA Model No.	Sensible to Total Ratio	Liters per kWh	Liters per Day	EDA Insulation and Piping Kit Catalog No.
SL18XC1					
SL18XC1-024	EDA-024B	0.33	4.0	138	98M62
SL18XC1-030	EDA-036C	0.35	3.4	153	98M62
SL18XC1-036	EDA-036C	0.32	3.8	195	98M62
SL18XC1-042	EDA-060D	0.35	3.5	217	98M62
SL18XC1-048	EDA-060D	0.44	3.4	246	98M62
SL18XC1-060	EDA-060D	0.43	3.5	315	98M22
SSB					
SSB036H4A	EDA-036C	0.39	3.4	192	98M62
SSB048H4A	EDA-060D	0.43	3.2	234	98M62
SSB060H4A	EDA-060D	0.45	3.2	298	98M22
TSAH4					
TSA036H4	EDA-036C	0.36	3.5	173	98M62
TSA042H4	EDA-060D	0.41	3.3	203	98M62
TSA048H4	EDA-060D	0.40	3.3	260	98M62
TSA060H4	EDA-060D	0.39	3.5	308	98M22
TSAS4					
TSA036S4	EDA-036C	0.33	3.5	189	98M62
TSA042S4	EDA-060D	0.38	3.4	216	98M62
TSA048S4	EDA-060D	0.39	3.4	253	98M62
TSA060S4	EDA-060D	0.39	3.4	317	98M62
XC13N					
XC13N018	EDA-024B	0.30	3.2	88	98M62
XC13N024	EDA-024B	0.31	3.1	112	98M62
XC13N030	EDA-036C	0.31	3.1	140	98M62
XC13N036	EDA-036C	0.35	3.1	171	98M62
XC13N042	EDA-060D	0.42	3.0	186	98M62
XC13N048	EDA-060D	0.45	2.8	215	98M62
XC13N060	EDA-060D	0.45	2.9	263	98M62
XC14					
XC14-018	EDA-024B	0.25	3.6	100	98M62
XC14-024	EDA-024B	0.30	3.6	126	98M62
XC14-030	EDA-036C	0.32	3.3	142	98M62
XC14(-)(S)036	EDA-036C	0.36	3.5	173	98M62
XC14-042	EDA-060D	0.41	3.3	203	98M62
XC14-048	EDA-060D	0.40	3.3	260	98M62
XC14-060	EDA-060D	0.39	3.5	308	98M22

SYSTEM MATCHES:

Must be one of the furnace or air handler models listed in the System Decision Tree (See page 38) and must be a certified AHRI system match-up (please visit www.LennoxPROs.com or <https://www.ahridirectory.org>).

Upflow and Horizontal Coil + Furnace Transitions

Field fabricated transition from coil to EDA is required when coil or furnace width is different from EDA unit matched with the outdoor unit.

Air Handler Transitions

Transition is required with all air handler matches.

ADDITIONAL NOTES:

- The system is not equivalent to a dehumidifier and will not normally run continuously for 24 hours.
- Approximate, based on 80°F Indoor Dry Bulb, 69.6°F Indoor Wet Bulb and 82°F Outdoor Air Temperature.
- Actual will vary within ± 0.03 depending on final installation variables.
- Typical unit S/T at this condition Without EDA is approximately 0.53 - 0.60.
- Liters per kWh and liters per day are approximate instantaneous values at the specified condition.

NOTE – Due to Lennox' ongoing commitment to quality, Specifications, Ratings and Dimensions subject to change without notice and without incurring liability. Improper installation, adjustment, alteration, service or maintenance can cause property damage or personal injury. Installation and service must be performed by a qualified installer and servicing agency.

EDA MATCH-UPS - AIR CONDITIONERS

Outdoor Unit Model No.	EDA Model No.	Sensible to Total Ratio	Liters per kWh	Liters per Day	EDA Insulation and Piping Kit Catalog No.
XC16					
XC16-024	EDA-024B	0.32	3.5	129	98M22
XC16-036	EDA-036C	0.39	3.4	192	98M62
XC16-048	EDA-060D	0.43	3.2	234	98M62
XC16-060	EDA-060D	0.45	3.2	298	98M22
XC21					
XC21-024	EDA-024B	0.28	3.2	123	94M44
XC21-036	EDA-036C	0.26	3.0	170	94M44
XC21-048	EDA-060D	0.30	2.9	226	94M44
XC21-060	EDA-060D	0.24	2.7	273	94M44

SYSTEM MATCHES:

Must be one of the furnace or air handler models listed in the System Decision Tree (See page 38) and must be a certified AHRI system match-up (please visit www.LennoxPROs.com or <https://www.ahridirectory.org>).

Upflow and Horizontal Coil + Furnace Transitions

Field fabricated transition from coil to EDA is required when coil or furnace width is different from EDA unit matched with the outdoor unit.

Air Handler Transitions

Transition is required with all air handler matches.

ADDITIONAL NOTES:

- The system is not equivalent to a dehumidifier and will not normally run continuously for 24 hours.
- Approximate, based on 80°F Indoor Dry Bulb, 69.6°F Indoor Wet Bulb and 82°F Outdoor Air Temperature.
- Actual will vary within ± 0.03 depending on final installation variables.
- Typical unit S/T at this condition Without EDA is approximately 0.53 - 0.60.
- Liters per kWh and liters per day are approximate instantaneous values at the specified condition.

CBA27UHE AIR HANDLER ADJUSTMENTS - AIR CONDITIONERS**13ACXN**

13ACXN018 + CBA27UHE-018 - Rating Adjustment: S/T +0.06, liters per day -1.4

13ACXN024 + CBA27UHE-024 - Rating Adjustment: S/T +0.03, liters per day -1.0

13ACXN030 + CBA27UHE-030 - Rating Adjustment: S/T +0.07, liters per day -2.0, liters per kWh -0.1

13ACXN036 + CBA27UHE-036 - Rating Adjustment: S/T +0.04, liter per day -2.0

13ACXN036 + CBA27UHE-042 - Rating Adjustment: S/T +0.02

13ACXN042 + CBA27UHE-042 - Rating Adjustment: S/T +0.02

13ACXN042 + CBA27UHE-048 - Rating Adjustment: S/T +0.03

13ACXN048 + CBA27UHE-048 - Rating Adjustment: S/T +0.03

13ACXN048 + CBA27UHE-060 - Rating Adjustment: S/T +0.02, liter per day -2.0, liters per kWh -0.1

13ACXN060 + CBA27UHE-060 - Rating Adjustment: S/T +0.02, liter per day -2.0, liters per kWh -0.1

14ACX

14ACX (-)(S) 018 + CBA27UHE-018 - Rating Adjustment: S/T +0.06, liters per day -1.4

14ACX (-)(S) 024 + CBA27UHE-024 - Rating Adjustment: S/T +0.03, liters per day -1.0

14ACX (-)(S) 030 + CBA27UHE-030 - Rating Adjustment: S/T +0.07, liters per day -2.0, liters per kWh -0.1

14ACX (-)(S) 036 + CBA27UHE-036 - Rating Adjustment: S/T +0.04, liters per day -2.0

14ACX (-)(S) 042 + CBA27UHE-042 - Rating Adjustment: S/T +0.02

14ACX-048 + CBA27UHE-048 - Rating Adjustment: S/T +0.03

14ACX-060 + CBA27UHE-060 - Rating Adjustment: S/T +0.02, liters per day -2.0, liters per kWh -0.1

16ACX

16ACX-024 + CBA27UHE-024 - Rating Adjustment: S/T +0.03, liters per day -1.0

16ACX-036 + CBA27UHE-036 - Rating Adjustment: S/T +0.04, liters per day -2.0

16ACX-048 + CBA27UHE-048 - Rating Adjustment: S/T +0.03

16ACX-060 + CBA27UHE-060 - Rating Adjustment: S/T +0.02, liters per day -2.0, liters per kWh -0.1

EL16XC1

EL16XC1-018 + CBA27UHE-018 - Rating Adjustment: S/T +0.06, liters per day -1.4

EL16XC1-024 + CBA27UHE-024 - Rating Adjustment: S/T +0.03, liters per day -1.0

EL16XC1-030 + CBA27UHE-030 - Rating Adjustment: S/T +0.07, liters per day -2.0, liters per kWh -0.1

EL16XC1(-)(S)036 + CBA27UHE-036 - Rating Adjustment: S/T +0.04, liters per day -2.0

EL16XC1-042 + CBA27UHE-042 - Rating Adjustment: S/T +0.02

EL16XC1-048 + CBA27UHE-048 - Rating Adjustment: S/T +0.03

EL16XC1-060 + CBA27UHE-060 - Rating Adjustment: S/T +0.02, liters per day -2.0, liters per kWh -0.1

ML14XC1

ML14XC1 (-)(S) 018 + CBA27UHE-018 - Rating Adjustment: S/T +0.06, liters per day -1.4

ML14XC1 (-)(S) 024 + CBA27UHE-024 - Rating Adjustment: S/T +0.03, liters per day -1.0

ML14XC1 (-)(S) 030 + CBA27UHE-030 - Rating Adjustment: S/T +0.07, liters per day -2.0, liters per kWh -0.1

ML14XC1 (-)(S) 036 + CBA27UHE-036 - Rating Adjustment: S/T +0.04, liters per day -2.0

ML14XC1 (-)(S) 042 + CBA27UHE-042 - Rating Adjustment: S/T +0.02

ML14XC1-048 + CBA27UHE-048 - Rating Adjustment: S/T +0.03

ML14XC1-060 + CBA27UHE-060 - Rating Adjustment: S/T +0.02, liters per day -2.0, liters per kWh -0.1

SL18XC1

SL18XC1-024 + CBA27UHE-030 - Rating Adjustment: S/T +0.07, liters per day -2.0, liters per kWh -0.1

SL18XC1-030 + CBA27UHE-030 - Rating Adjustment: S/T +0.07, liters per day -2.0, liters per kWh -0.1

SL18XC1-036 + CBA27UHE-036 - Rating Adjustment: S/T +0.04, liters per day -2.0

SL18XC1-042 + CBA27UHE-042 - Rating Adjustment: S/T +0.02

SL18XC1-048 + CBA27UHE-048 - Rating Adjustment: S/T +0.03

SL18XC1-060 + CBA27UHE-060 - Rating Adjustment: S/T +0.02, liters per day -2.0, liters per kWh -0.1

SSB

SSB036H4 + CBA27UHE-036 - Rating Adjustment: S/T +0.04, liters per day -2.0

SSB048H4 + CBA27UHE-048 - Rating Adjustment: S/T +0.03

SSB060H4 + CBA27UHE-060 - Rating Adjustment: S/T +0.02, liters per day -2.0, liters per kWh -0.1

NOTE – Due to Lennox' ongoing commitment to quality, Specifications, Ratings and Dimensions subject to change without notice and without incurring liability. Improper installation, adjustment, alteration, service or maintenance can cause property damage or personal injury. Installation and service must be performed by a qualified installer and servicing agency.

CBA27UHE AIR HANDLER ADJUSTMENTS - AIR CONDITIONERS**TSAH4**

TSA036H4 + CBA27UHE-036 - Rating Adjustment: S/T +0.04, liters per day -2.0

TSA042H4 + CBA27UHE-042 or CBX40UHV-042 - Rating Adjustment: S/T +0.02

TSA048H4 + CBA27UHE-048 - Rating Adjustment: S/T +0.03

TSA060H4 + CBA27UHE-060 - Rating Adjustment: S/T +0.02, liters per day -2.0, liters per kWh -0.1

TSAS4

TSA036S4 + CBA27UHE-036 - Rating Adjustment: S/T +0.04, liter per day -2.0

TSA036S4 + CBA27UHE-042 - Rating Adjustment: S/T +0.02

TSA042S4 + CBA27UHE-042 - Rating Adjustment: S/T +0.02

TSA042S4 + CBA27UHE-048 - Rating Adjustment: S/T +0.03

TSA048S4 + CBA27UHE-048 - Rating Adjustment: S/T +0.03

TSA048S4 + CBA27UHE-060 - Rating Adjustment: S/T +0.02, liter per day -2.0, liters per kWh -0.1

TSA060S4 + CBA27UHE-060 - Rating Adjustment: S/T +0.02, liter per day -2.0, liters per kWh -0.1

XC13N

XC13N-018 + CBA27UHE-018 - Rating Adjustment: S/T +0.06, liters per day -1.4

XC13N-024 + CBA27UHE-024 - Rating Adjustment: S/T +0.03, liters per day -1.0

XC13N-030 + CBA27UHE-030 - Rating Adjustment: S/T +0.07, liters per day -2.0, liters per kWh -0.1

XC13N-036 + CBA27UHE-036 - Rating Adjustment: S/T +0.04, liters per day -2.0

XC13N-042 + CBA27UHE-042 - Rating Adjustment: S/T +0.02

XC13N-048 + CBA27UHE-048 - Rating Adjustment: S/T +0.03

XC13N-060 + CBA27UHE-060 - Rating Adjustment: S/T +0.02, liters per day -2.0, liters per kWh -0.1

XC14

XC14-018 + CBA27UHE-018 - Rating Adjustment: S/T +0.06, liters per day -1.4

XC14-024 + CBA27UHE-024 - Rating Adjustment: S/T +0.03, liters per day -1.0

XC14-030 + CBA27UHE-030 - Rating Adjustment: S/T +0.07, liters per day -2.0, liters per kWh -0.1

XC14(-)(S)036 + CBA27UHE-036 - Rating Adjustment: S/T +0.04, liters per day -2.0

XC14-042 + CBA27UHE-042 - Rating Adjustment: S/T +0.02

XC14-048 + CBA27UHE-048 - Rating Adjustment: S/T +0.03

XC14-060 + CBA27UHE-060 - Rating Adjustment: S/T +0.02, liters per day -2.0, liters per kWh -0.1

XC16

XC16-024 + CBA27UHE-024 - Rating Adjustment: S/T +0.03, liters per day -1.0

XC16-036 + CBA27UHE-036 - Rating Adjustment: S/T +0.04, liters per day -2.0

XC16-048 + CBA27UHE-048 - Rating Adjustment: S/T +0.03.

XC16-060 + CBA27UHE-060 - Rating Adjustment: S/T +0.02, liters per day -2.0, liters per kWh -0.1

SL18XC1

SL18XC1-024 + CBA27UHE-030 - Rating Adjustment: S/T +0.07, liters per day -2.0, liters per kWh -0.1

SL18XC1-030 + CBA27UHE-030 - Rating Adjustment: S/T +0.07, liters per day -2.0, liters per kWh -0.1

SL18XC1-036 + CBA27UHE-036 - Rating Adjustment: S/T +0.04, liters per day -2.0

SL18XC1-042 + CBA27UHE-042 - Rating Adjustment: S/T +0.02

SL18XC1-048 + CBA27UHE-048 - Rating Adjustment: S/T +0.03

SL18XC1-060 + CBA27UHE-060 - Rating Adjustment: S/T +0.02, liters per day -2.0, liters per kWh -0.1

XC21

XC21-024 + CBA27UHE-024 - Rating Adjustment: S/T +0.03, liters per day -1.0

XC21-036 + CBA27UHE-036 - Rating Adjustment: S/T +0.04, liters per day -2.0

XC21-048 + CBA27UHE-048 - Rating Adjustment: S/T +0.03

XC21-060 + CBA27UHE-060 - Rating Adjustment: S/T +0.02, liters per day -2, liters per kWh -0.1

EDA MATCH-UPS - HEAT PUMPS

Outdoor Unit Model No.	EDA Model No.	Sensible to Total Ratio	Liters per kWh	Liters per Day	EDA Insulation and Piping Kit Catalog No.
14HPX					
14HPX-018	EDA-024B	0.26	3.5	96	98M22
14HPX-024	EDA-024B	0.36	3.6	130	98M62
14HPX-030	EDA-036C	0.34	3.3	145	98M62
14HPX-036	EDA-036C	0.41	3.3	165	94M44
14HPX-042	EDA-060D	0.39	3.5	218	94M44
14HPX-048	EDA-060D	0.44	3.5	250	98M22
14HPX-060	EDA-060D	0.40	3.5	304	94M44
16HPX					
16HPX-024	EDA-024B	0.33	3.2	125	94M44
16HPX-036	EDA-036C	0.34	2.7	157	94M44
16HPX-048	EDA-060D	0.46	3.2	244	98M22
16HPX-060	EDA-060D	0.43	3.1	299	98M22
EL15XP1					
EL15XP1-018	EDA-024B	0.26	3.5	96	98M22
EL15XP1-024	EDA-024B	0.36	3.6	130	98M62
EL15XP1-030	EDA-036C	0.34	3.3	145	98M62
EL15XP1-036	EDA-036C	0.41	3.3	165	94M44
EL15XP1-042	EDA-060D	0.39	3.5	218	98M22
EL15XP1-048	EDA-060D	0.44	3.5	250	98M22
EL15XP1-060	EDA-060D	0.40	3.5	304	98M22
EL16XP1					
EL16XP1-018	EDA-024B	0.26	3.5	96	98M22
EL16XP1-024	EDA-024B	0.36	3.6	130	98M22
EL16XP1-030	EDA-036C	0.34	3.3	145	98M22
EL16XP1-036	EDA-036C	0.41	3.3	165	98M22
EL16XP1-042	EDA-060D	0.39	3.5	218	98M22
EL16XP1-048	EDA-060D	0.44	3.5	250	98M22
EL16XP1-060	EDA-060D	0.40	3.5	304	98M22
ML14XP1					
ML14XP1-018	EDA-024B	0.26	3.5	96	98M22
ML14XP1-024	EDA-024B	0.36	3.6	130	98M62
ML14XP1-030	EDA-036C	0.34	3.3	145	98M62
ML14XP1-036	EDA-036C	0.41	3.3	165	94M44
ML14XP1-042	EDA-060D	0.39	3.5	218	98M22
ML14XP1-048	EDA-060D	0.44	3.5	250	98M22
ML14XP1-060	EDA-060D	0.40	3.5	304	98M22
ML16XP1					
ML16XP1-018	EDA-024B	0.26	3.5	96	98M22
ML16XP1-024	EDA-024B	0.36	3.6	130	98M22

SYSTEM MATCHES:

Must be one of the furnace or air handler models listed in the System Decision Tree (See page 38) and must be a certified AHRI system match-up (please visit www.LennoxPROs.com or <https://www.ahridirectory.org>).

Upflow and Horizontal Coil + Furnace Transitions

Field fabricated transition from coil to EDA is required when coil or furnace width is different from EDA unit matched with the outdoor unit.

Air Handler Transitions

Transition is required with all air handler matches.

ADDITIONAL NOTES:

- The system is not equivalent to a dehumidifier and will not normally run continuously for 24 hours.
- Approximate, based on 80°F Indoor Dry Bulb, 69.6°F Indoor Wet Bulb and 82°F Outdoor Air Temperature.
- Actual will vary within ± 0.03 depending on final installation variables.
- Typical unit S/T at this condition Without EDA is approximately 0.53 - 0.60.
- Liters per kWh and liters per day are approximate instantaneous values at the specified condition.

NOTE – Due to Lennox' ongoing commitment to quality, Specifications, Ratings and Dimensions subject to change without notice and without incurring liability. Improper installation, adjustment, alteration, service or maintenance can cause property damage or personal injury. Installation and service must be performed by a qualified installer and servicing agency.

EDA MATCH-UPS - HEAT PUMPS

Outdoor Unit Model No.	EDA Model No.	Sensible to Total Ratio	Liters per kWh	Liters per Day	EDA Insulation and Piping Kit Catalog No.
ML16XP1-030	EDA-036C	0.34	3.3	145	98M22
ML16XP1-036	EDA-036C	0.41	3.3	165	98M22
ML16XP1-042	EDA-060D	0.39	3.5	218	98M22
ML16XP1-048	EDA-060D	0.44	3.5	250	98M22
ML16XP1-060	EDA-060D	0.40	3.5	304	98M22
SL18XP1					
SL18XP1-024	EDA-024B	0.32	3.7	128	94M44
SL18XP1-030	EDA-036C	0.35	3.9	167	98M22
SL18XP1-036	EDA-036C	0.38	3.7	196	98M22
SL18XP1-042	EDA-060D	0.38	3.5	228	98M22
SL18XP1-048	EDA-060D	0.41	3.6	260	98M22
SL18XP1-060	EDA-060D	0.41	3.2	270	94M44
SPB					
SPB036H4A	EDA-036C	0.34	2.7	127	94M44
SPB048H4A	EDA-060D	0.46	3.2	244	98M22
SPB060H4A	EDA-060D	0.43	3.1	299	98M22
TPA*H4					
TPA036H4	EDA-036C	0.41	3.3	165	94M44
TPA042H4	EDA-060D	0.39	3.5	218	94M44
TPA048H4	EDA-060D	0.44	3.5	250	98M22
TPA060H4	EDA-060D	0.40	3.5	304	94M44
XP14					
XP14-018	EDA-024B	0.26	3.5	96	94M44
XP14-024	EDA-024B	0.36	3.6	130	98M22
XP14-030	EDA-036C	0.34	3.3	145	98M22
XP14-036	EDA-036C	0.41	3.3	165	94M44
XP14-042	EDA-060D	0.39	3.5	218	94M44
XP14-048	EDA-060D	0.44	3.5	250	98M22
XP14-060	EDA-060D	0.40	3.5	304	94M44
XP16					
XP16-024	EDA-024B	0.33	3.2	125	94M44
XP16-036	EDA-036C	0.34	2.7	127	94M44
XP16-048	EDA-060D	0.46	3.2	244	98M22
XP16-060	EDA-060D	0.43	3.1	299	98M22
XP21					
XP21-024	EDA-024B	0.26	2.8	120	94M44
XP21-036	EDA-036C	-0.13	2.5	162	94M44
XP21-048	EDA-060D	0.22	2.9	229	94M44
XP21-060	EDA-060D	0.19	2.5	274	94M44

SYSTEM MATCHES:

Must be one of the furnace or air handler models listed in the System Decision Tree (See page 38) and must be a certified AHRI system match-up (please visit www.LennoxPROs.com or <https://www.ahridirectory.org>).

Upflow and Horizontal Coil + Furnace Transitions

Field fabricated transition from coil to EDA is required when coil or furnace width is different from EDA unit matched with the outdoor unit.

Air Handler Transitions

Transition is required with all air handler matches.

ADDITIONAL NOTES:

- The system is not equivalent to a dehumidifier and will not normally run continuously for 24 hours.
- Approximate, based on 80°F Indoor Dry Bulb, 69.6°F Indoor Wet Bulb and 82°F Outdoor Air Temperature.
- Actual will vary within ± 0.03 depending on final installation variables.
- Typical unit S/T at this condition Without EDA is approximately 0.53 - 0.60.
- Liters per kWh and liters per day are approximate instantaneous values at the specified condition.

CBA27UHE AIR HANDLER ADJUSTMENTS - HEAT PUMPS**14HPX**

14HPX-018 + CBA27UHE-018 - Rating Adjustment: S/T +0.06, liters per day -1.4

14HPX-024 + CBA27UHE-024 - Rating Adjustment: S/T +0.03, liters per day -1.0

14HPX-030 + CBA27UHE-030 - Rating Adjustment: S/T +0.07, liters per day -2.0, liters per kWh -0.1

14HPX-036 + CBA27UHE-036 - Rating Adjustment: S/T +0.04, liters per day -2.0

14HPX-042 + CBA27UHE-042 - Rating Adjustment: S/T +0.02

14HPX-048 + CBA27UHE-048 - Rating Adjustment: S/T +0.03

14HPX-060 + CBA27UHE-060 - Rating Adjustment: S/T +0.02, liters per day -2.0, liters per kWh -0.1

16HPX

16HPX-024 + CBA27UHE-024 - Rating Adjustment: S/T +0.03, liters per day -1.0

16HPX-036 + CBA27UHE-036 - Rating Adjustment: S/T +0.04, liters per day -2.0

16HPX-048 + CBA27UHE-048 - Rating Adjustment: S/T +0.03

16HPX-060 + CBA27UHE-060 - Rating Adjustment: S/T +0.02, liters per day -2.0, liters per kWh -0.1

EL15XP1

EL15XP1-018 + CBA27UHE-018 - Rating Adjustment: S/T +0.06, liters per day -1.4

EL15XP1-024 + CBA27UHE-024 - Rating Adjustment: S/T +0.03, liters per day -1.0

EL15XP1-030 + CBA27UHE-030 - Rating Adjustment: S/T +0.07, liters per day -2.0, liters per kWh -0.1

EL15XP1-036 + CBA27UHE-036 - Rating Adjustment: S/T +0.04, liters per day -2.0

EL15XP1-042 + CBA27UHE-042 - Rating Adjustment: S/T +0.02

EL15XP1-048 + CBA27UHE-048 - Rating Adjustment: S/T +0.03

EL15XP1-060 + CBA27UHE-060 - Rating Adjustment: S/T +0.02, liters per day -2.0, liters per kWh -0.1

EL16XP1

EL16XP1-018 + CBA27UHE-018 - Rating Adjustment: S/T +0.06, liters per day -1.4

EL16XP1-024 + CBA27UHE-024 - Rating Adjustment: S/T +0.03, liters per day -1.0

EL16XP1-030 + CBA27UHE-030 - Rating Adjustment: S/T +0.07, liters per day -2.0, liters per kWh -0.1

EL16XP1-036 + CBA27UHE-036 - Rating Adjustment: S/T +0.04, liters per day -2.0

EL16XP1-042 + CBA27UHE-042 - Rating Adjustment: S/T +0.02

EL16XP1-048 + CBA27UHE-048 - Rating Adjustment: S/T +0.03

EL16XP1-060 + CBA27UHE-060 - Rating Adjustment: S/T +0.02, liters per day -2.0, liters per kWh -0.1

ML14XP1

ML14XP1-018 + CBA27UHE-018 - Rating Adjustment: S/T +0.06, liters per day -1.4

ML14XP1-024 + CBA27UHE-024 - Rating Adjustment: S/T +0.03, liters per day -1.0

ML14XP1-030 + CBA27UHE-030 - Rating Adjustment: S/T +0.07, liters per day -2.0, liters per kWh -0.1

ML14XP1-036 + CBA27UHE-036 - Rating Adjustment: S/T +0.04, liters per day -2.0

ML14XP1-042 + CBA27UHE-042 - Rating Adjustment: S/T +0.02

ML14XP1-048 + CBA27UHE-048 - Rating Adjustment: S/T +0.03

ML14XP1-060 + CBA27UHE-060 - Rating Adjustment: S/T +0.02, liters per day -2.0, liters per kWh -0.1

ML16XP1

ML16XP1-018 + CBA27UHE-018 - Rating Adjustment: S/T +0.06, liters per day -1.4

ML16XP1-024 + CBA27UHE-024 - Rating Adjustment: S/T +0.03, liters per day -1.0

ML16XP1-030 + CBA27UHE-030 - Rating Adjustment: S/T +0.07, liters per day -2.0, liters per kWh -0.1

ML16XP1-036 + CBA27UHE-036 - Rating Adjustment: S/T +0.04, liters per day -2.0

ML16XP1-042 + CBA27UHE-042 - Rating Adjustment: S/T +0.02

ML16XP1-048 + CBA27UHE-048 - Rating Adjustment: S/T +0.03

ML16XP1-060 + CBA27UHE-060 - Rating Adjustment: S/T +0.02, liters per day -2.0, liters per kWh -0.1

CBA27UHE AIR HANDLER ADJUSTMENTS - HEAT PUMPS**SL18XP1**

SL18XP1-024 + CBA27UHE-030 - Rating Adjustment: S/T +0.07, liters per day -2.0, liters per kWh -0.1

SL18XP1-030 + CBA27UHE-030 - Rating Adjustment: S/T +0.07, liters per day -2.0, liters per kWh -0.1

SL18XP1-036 + CBA27UHE-036 - Rating Adjustment: S/T +0.04, liters per day -2.0

SL18XP1-042 + CBA27UHE-042 - Rating Adjustment: S/T +0.02

SL18XP1-048 + CBA27UHE-048 - Rating Adjustment: S/T +0.03

SL18XP1-060 + CBA27UHE-060 - Rating Adjustment: S/T +0.02, liters per day -2.0, liters per kWh -0.1

SPB

SPB036H4 + CBA27UHE-036 - Rating Adjustment: S/T +0.04, liters per day -2.0

SPB048H4 + CBA27UHE-048 - Rating Adjustment: S/T +0.03

SPB060H4 + CBA27UHE-060 - Rating Adjustment: S/T +0.02, liters per day -2.0, liters per kWh -0.1

TPA*H4

TPA036H4 + CBA27UHE-036 - Rating Adjustment: S/T +0.04, liters per day -2.0

TPA042H4 + CBA27UHE-042 - Rating Adjustment: S/T +0.02

TPA048H4 + CBA27UHE-048 - Rating Adjustment: S/T +0.03

TPA060H4 + CBA27UHE-060 - Rating Adjustment: S/T +0.02, liters per day -2.0, liters per kWh -0.1

TPA*S4

TPA036S4 + CBA27UHE-036 - Rating Adjustment: S/T +0.04, liter per day -2.0

TPA036S4 + CBA27UHE-042 - Rating Adjustment: S/T +0.02

TPA042S4 + CBA27UHE-042 - Rating Adjustment: S/T +0.02

TPA042S4 + CBA27UHE-048 - Rating Adjustment: S/T +0.03

TPA048S4 + CBA27UHE-048 - Rating Adjustment: S/T +0.03

TPA048S4 + CBA27UHE-060 - Rating Adjustment: S/T +0.02, liter per day -2.0, liters per kWh -0.1

TPA060S4 + CBA27UHE-060 - Rating Adjustment: S/T +0.02, liter per day -2.0, liters per kWh -0.1

XP14

XP14-018 + CBA27UHE-018 - Rating Adjustment: S/T +0.06, liters per day -1.4

XP14-024 + CBA27UHE-024 - Rating Adjustment: S/T +0.03, liters per day -1.0

XP14-030 + CBA27UHE-030 - Rating Adjustment: S/T +0.07, liters per day -2.0, liters per kWh -0.1

XP14-036 + CBA27UHE-036 - Rating Adjustment: S/T +0.04, liters per day -2.0

XP14-042 + CBA27UHE-042 - Rating Adjustment: S/T +0.02

XP14-048 + CBA27UHE-048 - Rating Adjustment: S/T +0.03

XP14-060 + CBA27UHE-060 - Rating Adjustment: S/T +0.02, liters per day -2.0, liters per kWh -0.1

XP16

XP16-024 + CBA27UHE-024 - Rating Adjustment: S/T +0.03, liters per day -1.0

XP16-036 + CBA27UHE-036 - Rating Adjustment: S/T +0.04, liters per day -2.0

XP16-048 + CBA27UHE-048 - Rating Adjustment: S/T +0.03.

XP16-060 + CBA27UHE-060 - Rating Adjustment: S/T +0.02, liters per day -2.0, liters per kWh -0.1

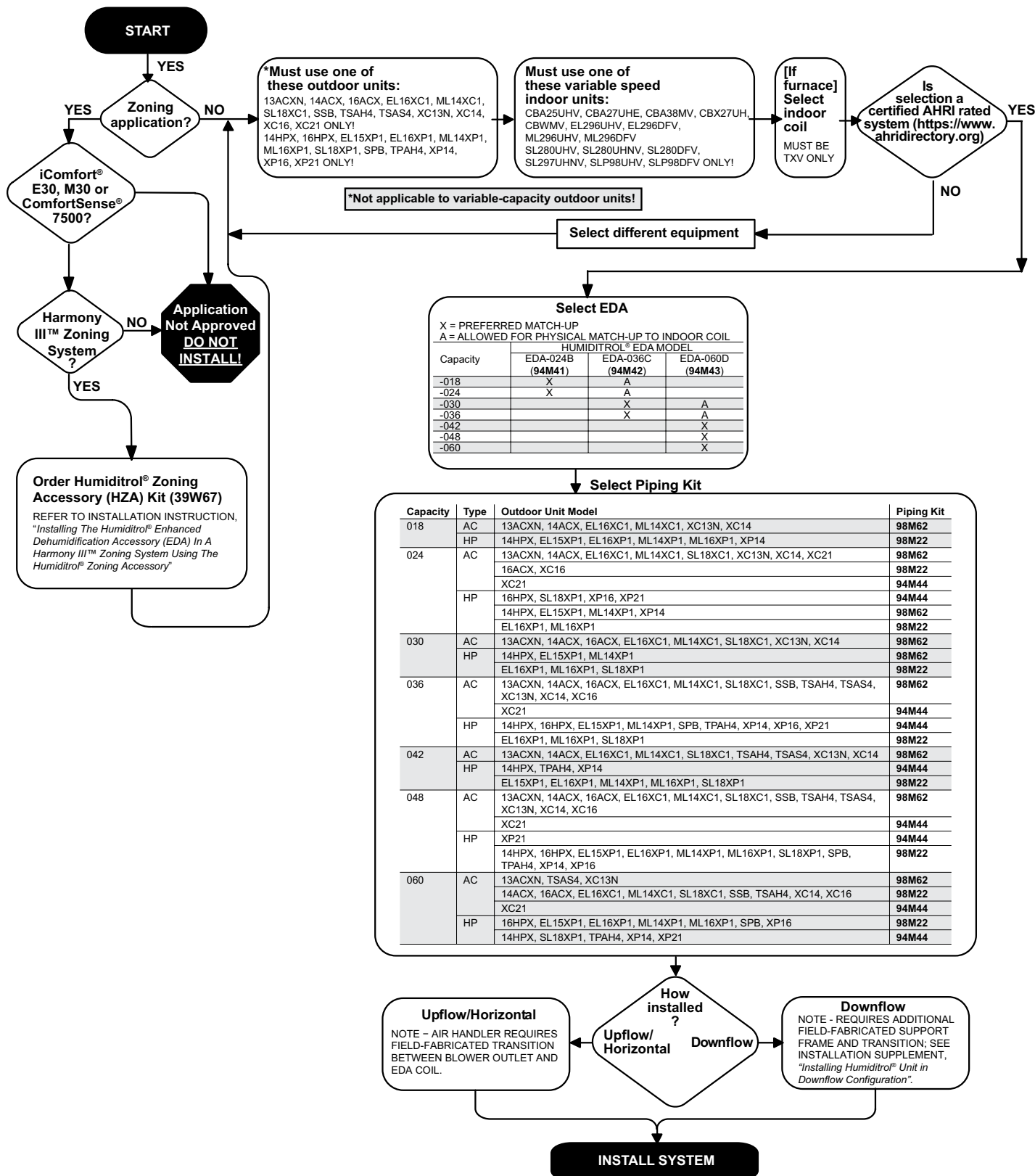
XP21

XP21-036 + CBA27UHE-036 - Rating Adjustment: S/T +0.04, liters per day -2.0

XP21-048 + CBA27UHE-048 - Rating Adjustment: S/T +0.03

XP21-060 + CBA27UHE-060 - Rating Adjustment: S/T +0.02, liters per day -2, liters per kWh -0.1

SYSTEM DECISION TREE



NOTE - Due to Lennox' ongoing commitment to quality, Specifications, Ratings and Dimensions subject to change without notice and without incurring liability. Improper installation, adjustment, alteration, service or maintenance can cause property damage or personal injury. Installation and service must be performed by a qualified installer and servicing agency.



ZONING iHARMONY® ZONING SYSTEM

PRODUCT CATALOG

Zoning System for Residential Communicating,
Variable Air Volume Heating/Cooling Systems

Page 1
April 2019
Supersedes February 2019

FEATURES

The iHarmony® Zoning System is capable of controlling up to four separate zones.

Zone dampers are automatically controlled to supply air flow only to zones with a demand.

Individual air volumes for heating or cooling are available to each zone.

Round or rectangular dampers can be used.

Zoning system allows temperature setback in unoccupied areas while maintaining comfort in occupied areas.

Auto-changeover control from any zone thermostat or control heating/cooling mode to all zones from the iComfort® S30 Ultra-Smart zone 1 (master) thermostat.

COMPONENTS AND EQUIPMENT

System Components

- iHarmony® Damper Control Module (DCM)
- iComfort® S30 Thermostat (Zone 1 master)
- iHarmony® Zone Sensor (one per Zone, 2, 3 and 4)
- Motorized Zone Dampers
- Discharge Air Temperature Sensor (furnished)

NOTE - All components must be ordered separately.

Damper Control Module and Zone Dampers are powered by a separate stand-alone transformer.

Outdoor Units

- SL18XC1 Single Stage Air Conditioner (two zones)
- SL18XP1 Single Stage Heat Pump (two zones)
- XC21 Two-Stage Air Conditioner (up to four zones)
- XP21 Two-Stage Heat Pump (up to four zones)



- XC20/C25 Variable Capacity Air Conditioner (up to four zones)
- XP20/XP25 Variable Capacity Heat Pump (up to four zones)

Variable Speed Furnaces

- EL296V Two-Stage
- SL280V Two-Stage
- SL297NV Two-Stage
- SLP98V Variable Capacity

Variable Speed Air Handlers

- CBA38MV

Damper Control Module

Dimensions (H x W x D): 10-1/2 x 5 x 1-5/8 in. (267 x 127 x 41 mm)

Shipping weight: 2 lbs.

Power requirements: 24VAC (18-30VAC).

In-Zone Thermostats

Dimensions (H x W x D): 3 x 3 x 5/8 in. (76 x 76 x 16 mm)

Power requirements: 12VDC

Dual-Fuel Operation

NOTE - Only iComfort® Communicating heat pump outdoor units may be used with a dual fuel system.

Dampers

Any style 24VAC damper is compatible with the iHarmony® Zoning System.

Spring-open/power-close dampers are the preferred; however, power-open/spring-close and power-open/power-close dampers can be used.

At least one damper per zone is required.

SEE SYSTEM COMPONENTS ORDERING - NEXT PAGE

LIMITED WARRANTY

iHarmony® Damper Control Module and iHarmony® Zone Sensors - five year limited warranty.

Refer to Lennox Equipment Limited Warranty certificate included with unit for specific details.

NOTE - The iHarmony Zoning System may be used with all iComfort® Communicating indoor/outdoor units shown. A conventional, non-communicating outdoor unit may also be used as long as the indoor unit is one of the iComfort® Communicating models shown.

NOTE - Due to Lennox' ongoing commitment to quality, Specifications, Ratings and Dimensions subject to change without notice and without incurring liability. Improper installation, adjustment, alteration, service or maintenance can cause property damage or personal injury. Installation and service must be performed by a qualified installer and servicing agency.

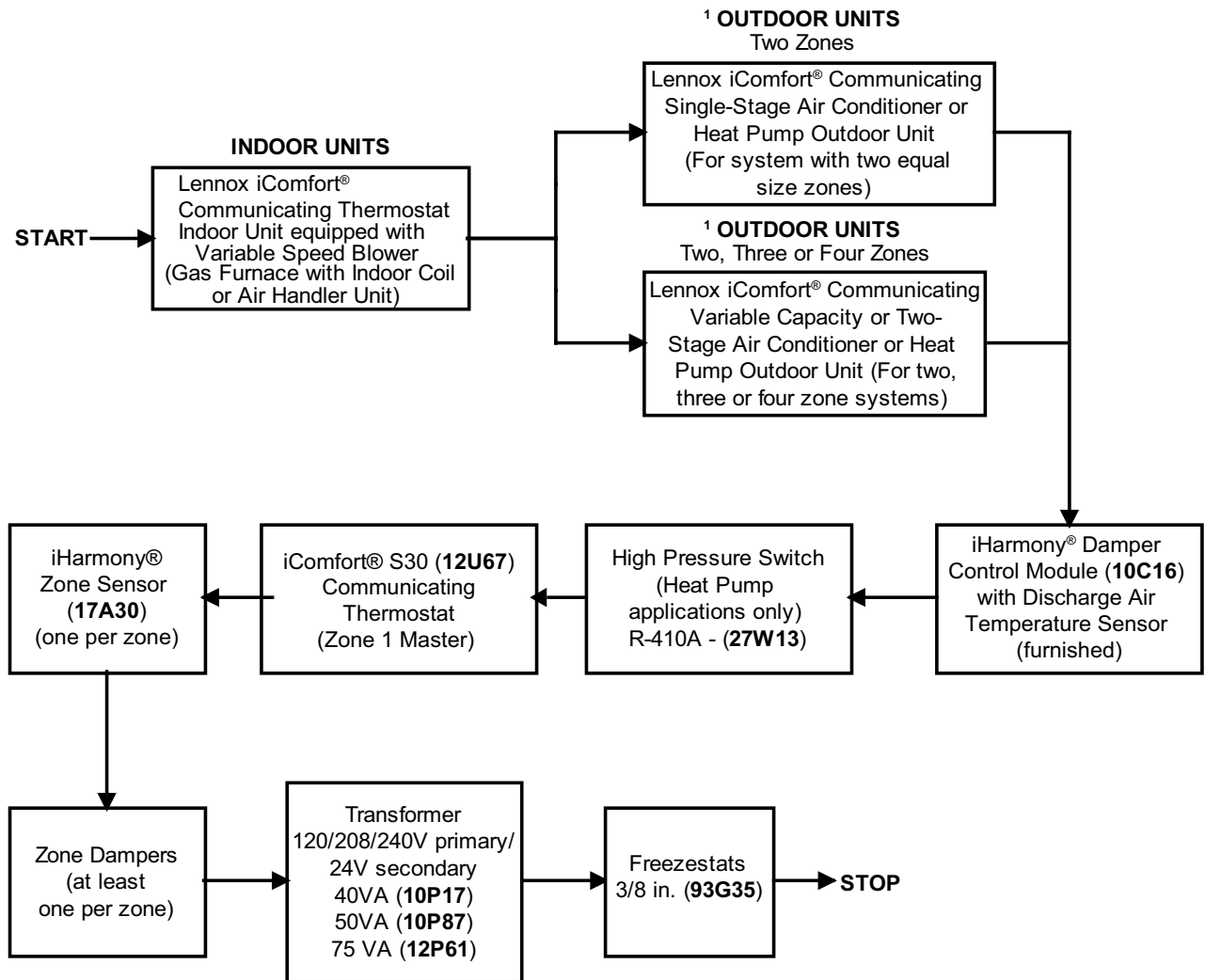
SYSTEM COMPONENTS ORDERING

Description		Catalog No.				
iComfort® S30 Thermostat (Zone1 Master)		12U67				
¹ Optional Outdoor Air Temperature Sensor		X2658				
Damper Control Module (DCM) (Discharge Air Temperature Sensor furnished)		10C16				
iHarmony® Zone Sensor - One per zones 2, 3 and 4		17A30				
Transformers	120/208/240V primary / 24V secondary - 40VA (3 dampers)	10P17				
	120/208/240V primary / 24V secondary - 50VA (4 dampers)	10P87				
	120/208/240V primary / 24V secondary - 75VA (6 dampers)	12P61				
	4 in. square Electrical Box	83P74				
² High Pressure Switch - Heat Pump only		27W13				
Freezestats - For use with Humiditrol system		3/8 in. (Open 29°F / Close 58°F) 93G35				
Dampers Zone Control Power Close / Spring Open	Round -	6 in. Round	X4207	10 in. Round	X4211	
	Two Wire	7 in. Round	X4208	12 in. Round	X4213	
		8 in. Round	X4209	14 in. Round	X4214	
		9 in. Round	X4210	16 in. Round	X4215	
	Rectangular Bottom Mount - Two Wire		8 in. x 10 in.	X4252	10 in. x 18 in.	X4263
			8 in. x 12 in.	X4253	10 in. x 20 in.	X4264
			8 in. x 14 in.	X4254	10 in. x 22 in.	X4265
			8 in. x 16 in.	X4255	10 in. x 24 in.	X4266
			8 in. x 18 in.	X4256	12 in. x 14 in.	X4267
			8 in. x 20 in.	X4257	12 in. x 16 in.	X4268
			8 in. x 22 in.	X4258	12 in. x 18 in.	X4269
			8 in. x 24 in.	X4259	12 in. x 20 in.	X4270
			10 in. x 12 in.	X4260	12 in. x 22 in.	X4271
			10 in. x 14 in.	X4261	12 in. x 24 in.	X4272
		10 in. x 16 in.	X4262			
	Rectangular Side Mount - Two Wire		8 in. x 8 in.	X4216	20 in. x 10 in.	X4233
			10 in. x 8 in.	X4217	22 in. x 10 in.	X4234
			12 in. x 8 in.	X4218	24 in. x 10 in.	X4235
			14 in. x 8 in.	X4219	26 in. x 10 in.	X4236
			16 in. x 8 in.	X4220	30 in. x 10 in.	X4238
			18 in. x 8 in.	X4221	12 in. x 12 in.	X4239
			20 in. x 8 in.	X4222	14 in. x 12 in.	X4240
			22 in. x 8 in.	X4223	16 in. x 12 in.	X4241
			24 in. x 8 in.	X4224	18 in. x 12 in.	X4242
			26 in. x 8 in.	X4225	20 in. x 12 in.	X4243
			28 in. x 8 in.	X4226	22 in. x 12 in.	X4244
			30 in. x 8 in.	X4227	14 in. x 14 in.	X4246
		10 in. x 10 in.	X4228	16 in. x 14 in.	X4247	
		12 in. x 10 in.	X4229	18 in. x 14 in.	X4248	
	14 in. x 10 in.	X4230	20 in. x 14 in.	X4249		
	16 in. x 10 in.	X4231	22 in. x 14 in.	X4250		
	18 in. x 10 in.	X4232	24 in. x 14 in.	X4251		

¹ The Optional Outdoor Air Temperature Sensor may be used with an iComfort® Communicating outdoor unit for a secondary (alternate) sensor reading. Optional Outdoor Air Temperature Sensor may also be ordered for use with a conventional outdoor unit.

² Required for Heat Pump applications.

COMPONENT SELECTION



¹ A conventional, non-communicating outdoor unit may also be used as long as the indoor unit is iComfort® Communicating.
 NOTE - Dual Fuel Systems - Only iComfort® Communicating heat pump outdoor units may be used with a dual fuel system.



ZONING HARMONY III™ ZONING SYSTEM

PRODUCT CATALOG

Zone Control for Residential, Variable Air Volume Heating/Cooling Systems

Page 5

April 2019

Supersedes February 2019

FEATURES

Harmony III™ Zone Control (X9953) is capable of controlling up to four separate zones.

Panel is capable of controlling multi-stage equipment, 2 heat / 2 cool conventional heating/cooling systems and 3 heat / 2 cool heat pump and dual fuel systems.

System consists of the Control Panel, discharge air sensor (furnished), field-supplied duct-mounted motorized zone dampers with a thermostat in each zone.

Discharge Air Sensor (furnished) - sends information back to the zone control board so the board can control first and second stage heating and cooling based on discharge air temperature.

Panel is powered by a separate stand-alone transformer.

Zone dampers are automatically controlled to supply air flow only to zones with a thermostat demand.

Individual air volumes for heating or cooling are available to each zone.

Round or rectangular dampers can be used.

Zoning system allows temperature setback in unoccupied areas while maintaining comfort in occupied areas.

Auto-changeover control from any zone thermostat or control heating/cooling mode to all zones from the zone 1 thermostat.

Compatible with standard heat/cool electronic thermostats (non-power robbing). See recommended thermostats.

The Control Panel will control a dual fuel system. The dual fuel system is set up so that the first and second stage compressor operation turns off before the auxiliary heat is turned on. Dual fuel mode effects auxiliary heat operation only.



Microprocessor controlled panel contains all necessary relays and controls to operate the system.

Automatic reset in case of operation error or power failure.

Built-in time delay function (5 minutes) prevents short cycling of system.

3A (slow-blow) fuse protects panel from shorts in the thermostat and damper field wiring. Spare 3A fuse included.

Cabinet and removable cover constructed of high impact plastic. Holes for mounting are furnished and electrical inlets are provided in cabinet.

Dimensions (H x W x D): 12 x 9-1/2 x 2-1/4 in.

Shipping weight: 2 lbs.

Power requirements: 24VAC (18-30VAC).

LIMITED WARRANTY

All covered components - two year limited warranty

Refer to Lennox Equipment Limited Warranty certificate included with unit for specific details.

System Equipment Data

For furnace data, see Gas Furnaces section.

For air handler unit data, see Air Handlers section.

For air conditioning units data, see Air Conditioners section.

For heat pump data, see Heat Pump Outdoor Units section.

For add-on indoor coil unit data, see Indoor Coils section.

ACCESSORIES

Balance Point Sensor - 56A87

Used to lock out the heat pump at low ambient conditions (below the system balance point).

Defrost Tempering Switch - 67M41

For Dual-Fuel Heat Pump applications only

Transformer

24VAC transformer is required for operation of Zone Control Panel, thermostats and zone dampers.

Transformer size is determined by the total power requirements of the control panel, thermostats and damper.

120/208/240V primary / 24V secondary - 40VA	10P17
120/208/240V primary / 24V secondary - 50VA	10P87
120/208/240V primary / 24V secondary - 75VA	12P61
4 in. square Electrical Box	83P74

Whole Home Dehumidification Operation - Humiditrol® (39W67)

Harmony III™ Zone Control can be used with the Humiditrol Whole Home Dehumidification System.

A separate Humiditrol® Zoning Accessory must be used for proper operation.

ACCESSORIES CONTINUED ON NEXT PAGE

NOTE - Due to Lennox' ongoing commitment to quality, Specifications, Ratings and Dimensions subject to change without notice and without incurring liability. Improper installation, adjustment, alteration, service or maintenance can cause property damage or personal injury. Installation and service must be performed by a qualified installer and servicing agency.

ACCESSORIES

Pressure Switch - 27W13

For R-410A systems

Required for applications with a Lennox heat pump.

Guards against high head pressures during first- and second-stage heating.

Zone Thermostats

A single-stage, non-heat pump, non-power-robbing electronic thermostat is required for each zone.

Recommended thermostats include ComfortSense® 7500 (**13H14**), ComfortSense® 5500 (**13H13**), ComfortSense® 3000 (**51M34**), **51M32**) See Controls Section and Lennox Price Book for additional thermostats.

Dampers - see Page 3

Any style 24VAC damper is compatible with Harmony III™ Zoning System.

Spring-open/power-close dampers are the preferred; however, power-open/spring-close and power-open/power-close dampers can be used.

At least one damper per zone is required.

DAMPERS

**ZONE DAMPERS ROUND
Power Close / Spring Open**

6 in. Round	X4207
7 in. Round	X4208
8 in. Round	X4209
9 in. Round	X4210
10 in. Round	X4211
12 in. Round	X4213
14 in. Round	X4214
16 in. Round	X4215

**ZONE DAMPERS RECTANGULAR
Power Close / Spring Open**

Bottom Mount - Two Wire

8 in. x 10 in.	X4252
8 in. x 12 in.	X4253
8 in. x 14 in.	X4254
8 in. x 16 in.	X4255
8 in. x 18 in.	X4256
8 in. x 20 in.	X4257
8 in. x 22 in.	X4258
8 in. x 24 in.	X4259
10 in. x 12 in.	X4260
10 in. x 14 in.	X4261
10 in. x 16 in.	X4262
10 in. x 18 in.	X4263
10 in. x 20 in.	X4264
10 in. x 22 in.	X4265
10 in. x 24 in.	X4266
12 in. x 14 in.	X4267
12 in. x 16 in.	X4268
12 in. x 18 in.	X4269
12 in. x 20 in.	X4270
12 in. x 22 in.	X4271
12 in. x 24 in.	X4272

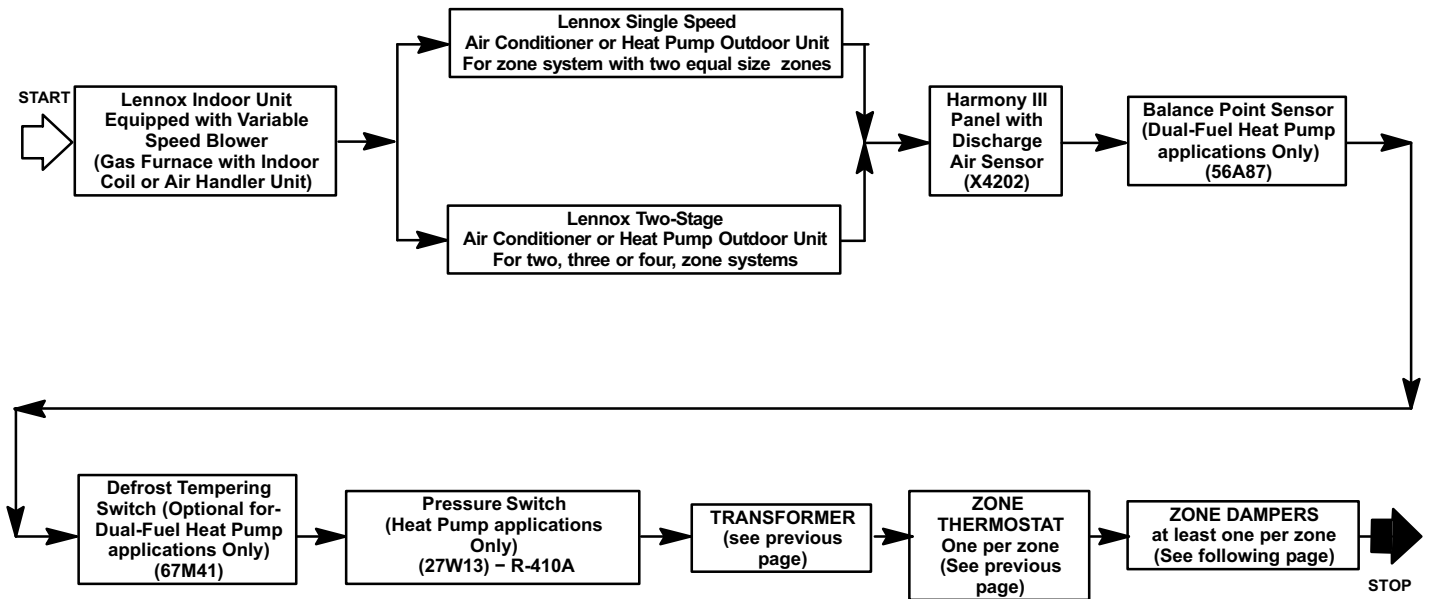
**ZONE DAMPERS RECTANGULAR
Power Close / Spring Open**

Side Mount - Two Wire

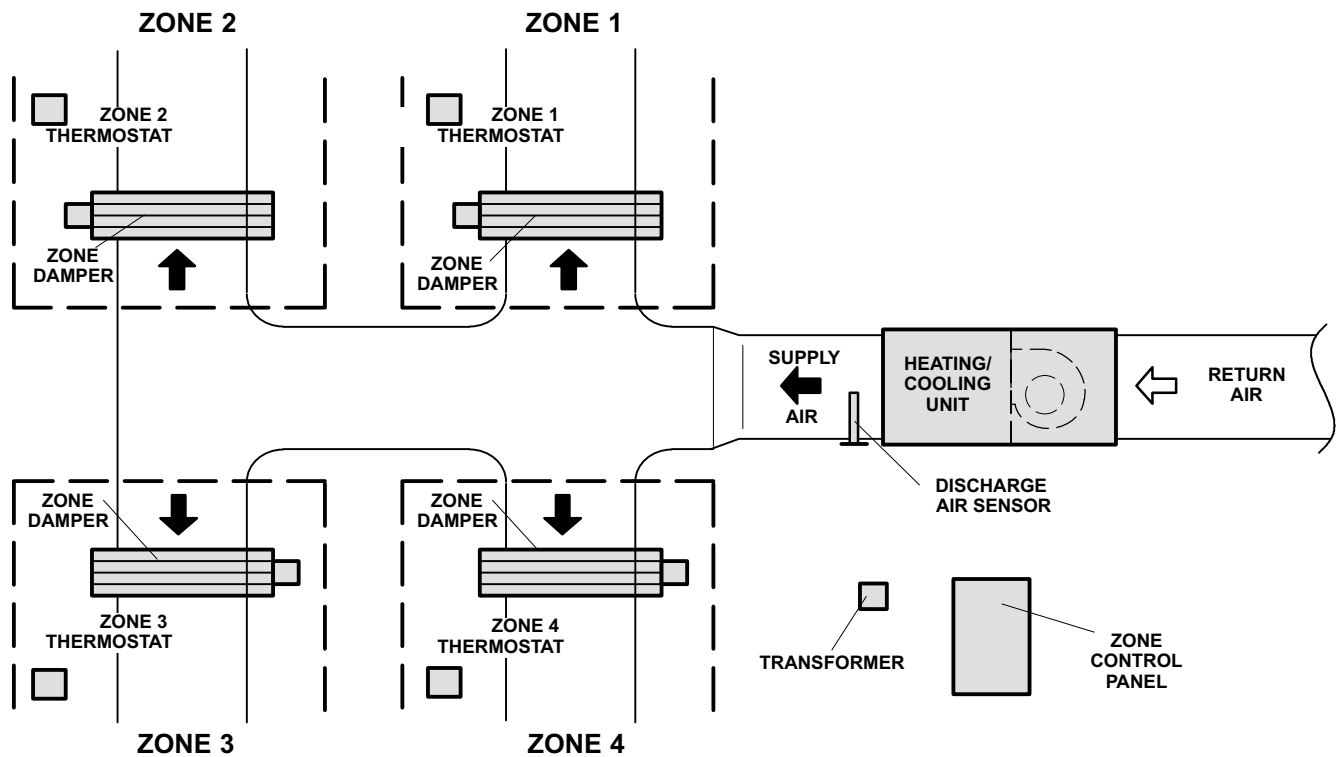
8 in. x 8 in.	X4216
8 in. x 10 in.	X4217
8 in. x 12 in.	X4218
8 in. x 14 in.	X4219
8 in. x 16 in.	X4220
8 in. x 18 in.	X4221
8 in. x 20 in.	X4222
8 in. x 22 in.	X4223
8 in. x 24 in.	X4224
8 in. x 26 in.	X4225
8 in. x 28 in.	X4226
8 in. x 30 in.	X4227
10 in. x 10 in.	X4228
10 in. x 12 in.	X4229
10 in. x 14 in.	X4230
10 in. x 16 in.	X4231
10 in. x 18 in.	X4232
10 in. x 20 in.	X4233
10 in. x 22 in.	X4234
10 in. x 24 in.	X4235
10 in. x 26 in.	X4236
10 in. x 30 in.	X4238
12 in. x 12 in.	X4239
12 in. x 14 in.	X4240
12 in. x 16 in.	X4241
12 in. x 18 in.	X4242
12 in. x 20 in.	X4243
12 in. x 22 in.	X4244
14 in. x 14 in.	X4246
14 in. x 16 in.	X4247
14 in. x 18 in.	X4248
14 in. x 20 in.	X4249
14 in. x 22 in.	X4250
14 in. x 24 in.	X4251

NOTE – Due to Lennox' ongoing commitment to quality, Specifications, Ratings and Dimensions subject to change without notice and without incurring liability. Improper installation, adjustment, alteration, service or maintenance can cause property damage or personal injury. Installation and service must be performed by a qualified installer and servicing agency.

COMPONENT SELECTION



TYPICAL SYSTEM LAYOUT



NOTE - Due to Lennox' ongoing commitment to quality, Specifications, Ratings and Dimensions subject to change without notice and without incurring liability. Improper installation, adjustment, alteration, service or maintenance can cause property damage or personal injury. Installation and service must be performed by a qualified installer and servicing agency.

FEATURES

Zoning System

LZP-4 Zone Control Panel (**X3786**) is capable of controlling up to four separate zones.

Panel is capable of controlling multi-stage equipment, 2 heat / 2 cool conventional heating/cooling systems and 3 heat, 2 cool heat pump and dual fuel systems.

System consists of the LZP-4 Zone Control Panel, discharge air sensor (furnished), field supplied duct mounted motorized zone dampers with a thermostat in each zone and a field supplied bypass damper.

Panel is powered by a separate stand-alone transformer.

Zone dampers are automatically controlled to supply air flow only to zones with a thermostat demand.

Individual air volumes for heating or cooling are available to each zone.

Round or rectangular dampers can be used.

Zoning system allows temperature setback in unoccupied areas while maintaining comfort in occupied areas.

Auto-changeover control from any zone thermostat or control heating/cooling mode to all zones from the zone 1 thermostat.

Compatible with standard heat/cool or heat pump electronic thermostats (non-power robbing). See recommended thermostats.

Not for use with variable-speed gas furnaces or electro-mechanical thermostats.

Zone Control Panel

Microprocessor controlled panel contains all necessary relays and controls to operate the system.

Automatic reset in case of operation error or power failure.



Built-in time delay function (4 minutes) prevents short cycling of system.

3A fuse protects panel from shorts in the thermostat and damper field wiring. Spare 3A fuse included.

Cabinet and removeable cover constructed of high impact plastic. Holes for mounting are furnished and electrical inlets are provided in cabinet.

Dimensions (H x W x D):

12 x 9-1/2 x 2 in.

Shipping weight: 2 lbs.

Power requirements: 24VAC (18-30VAC).

Discharge Air Sensor (furnished)

Field installed in supply air plenum. Senses discharge air temperature to control system based on low temperature and high temperature limit DIP switch settings on Zone Control Panel.

ACCESSORIES

Transformers

Zone Control Panel and thermostats require 10VA, dampers require 10VA each

10P17 - 40VA Transformer, 120/208/240V primary, 24V secondary

10P87 - 50VA Transformer, 120/208/240V primary, 24V secondary

12P61 - 75VA Transformer, 120/208/240V primary, 24V secondary

83P74 - Electrical Box, 4 in. square

Dampers - see Page 2

Zone Thermostats

Any single-stage, heating/cooling, digital, electronic thermostat with 24VAC common terminal may be used. Recommended thermostats:

13H13 - ComfortSense® 5500 Touchscreen Thermostat - 1 Heat/1 Cool, Single stage gas/electric and single stage heat pumps

51M34 - ComfortSense® 3000 Thermostat - 1 Heat/1 Cool, Single stage gas/electric

51M35 - ComfortSense® 3000 Thermostat - 2 Heat/2 Cool, Single stage gas/electric

51M37 - ComfortSense® 3000 Thermostat - 3 Heat/2 Cool heat pump

See Controls Section and Lennox Price Book for additional thermostats.

LIMITED WARRANTY

Limited Warranty

Zone Control Panel - Two years
Refer to Lennox Equipment Limited Warranty certificate included with unit for specific details.

NOTE - Due to Lennox' ongoing commitment to quality, Specifications, Ratings and Dimensions subject to change without notice and without incurring liability. Improper installation, adjustment, alteration, service or maintenance can cause property damage or personal injury. Installation and service must be performed by a qualified installer and servicing agency.



**Dual Zone Control Panel
For Residential, Non-Variable Air Volume, Heating/Cooling Systems
Not for Heat Pump Systems**

Page 10

April 2019

Supersedes February 2019

FEATURES

Zoning System

LZP-2 Zone Control Panel (**X3785**) is capable of controlling up to two separate zones.

Panel is coupled with a single, non-variable speed indoor unit (gas/oil) and a single stage air conditioning unit.

Panel can be used with two-stage equipment when staging is controlled by the heating/cooling equipment.

System consists of the LZP-2 Zone Control Panel, discharge air sensor (furnished), field supplied duct mounted motorized zone dampers with a thermostat in each zone, and a field supplied bypass damper.

Panel is powered by a separate stand-alone transformer.

Zone dampers are automatically controlled to supply air flow only to zones with a thermostat demand.

Individual air volumes for heating or cooling are available to each zone.

Round or rectangular dampers can be used.

Zoning system allows temperature setback in unoccupied areas while maintaining comfort in occupied areas.

Auto-changeover control from any zone thermostat.

Compatible with standard heat/cool electronic thermostats (non-power robbing).

Not for use with variable-speed gas furnaces, heat pump systems or electro-mechanical thermostats.



Zone Control Panel

Microprocessor controlled panel contains all necessary relays and controls to operate the system.

Automatic reset in case of operation error or power failure.

Built-in time delay function (4 minutes) prevents short cycling of system.

3A fuse protects panel from shorts in the thermostat and damper field wiring. Spare 3A fuse included.

Cabinet and removable cover constructed of high impact plastic.

Holes for mounting are furnished and electrical inlets are provided in cabinet.

Dimensions (H x W x D):

5 x 10-1/2 x 2 in.

Shipping weight: 2 lbs.

Power requirements: 24VAC (18-30VAC).

Discharge Air Sensor (furnished)

Field installed in supply air plenum. Senses discharge air temperature to control system based on low temperature and high temperature limit jumper settings on Zone Control Panel.

LIMITED WARRANTY

Zone Control Panel - Two years
Refer to Lennox Equipment Limited Warranty certificate included with unit for specific details.

ACCESSORIES

Transformers

Zone Control Panel and thermostats require 10VA, dampers require 10VA each

10P17 - 40VA Transformer, 120/208/240V primary, 24V secondary

10P87 - 50VA Transformer, 120/208/240V primary, 24V secondary

12P61 - 75VA Transformer, 120/208/240V primary, 24V secondary

83P74 - Electrical Box, 4 in. square

Dampers - see Page 2

Zone Thermostats

Any single-stage, heating/cooling, digital, electronic thermostat with 24VAC common terminal may be used. Recommended thermostats:

13H13 - ComfortSense® 5500 Thermostat - 1 Heat/1 Cool, Single stage gas/electric and single stage heat pumps

51M34 - ComfortSense® 3000 Thermostat - 1 Heat/1 Cool, Single stage gas/electric and single stage heat pump



PRODUCT CATALOG

FEATURES

The iComfort® S30 Ultra Smart Thermostat recognizes and connects to all iComfort® communicating products to automatically configure and control the heating/cooling system (based on user-specified settings) for the highest level of comfort, performance and efficiency. Also recognizes model and serial number information for iComfort® communicating products to simplify system setup.

Advanced iComfort® controls in specific heating and cooling units communicate information about various operating parameters to the thermostat to constantly maintain the most efficient operating conditions possible. Additional conventional (not iComfort® communicating) indoor air quality comfort products (PureAir™ Air Purification System, Healthy Climate® Humidifiers, Humiditrol® Enhanced Dehumidification Accessory, Healthy Climate® Energy/Heat Recovery Ventilators, Healthy Climate® Germicidal Lights) can be added to the system for a complete total-comfort system.

Conventional outdoor units (not iComfort® communicating) can easily be added and controlled by the iComfort® S30 Thermostat.

A simple easy-to-use touchscreen allows complete system configuration. Scheduled maintenance alerts, system warnings and troubleshooting are also displayed on thermostat screen.

One-Touch Away Mode - A quick and easy way to set the cooling and heating setpoints while away.

Smart Away™ - Schedule IQ™ uses geo-fencing technology to determine when homeowner is within a predetermined distance from the home to operate system when leaving, away and arriving.

NOTE - Due to Lennox' ongoing commitment to quality, Specifications, Ratings and Dimensions subject to change without notice and without incurring liability. Improper installation, adjustment, alteration, service or maintenance can cause property damage or personal injury. Installation and service must be performed by a qualified installer and servicing agency.



Weather-On-Demand - Live up-to-date weather data and five-day forecasts.

Optional iComfort® Equipment Interface Module (EIM) allows operation with conventional HVAC systems.

Applicable to the iHarmony® Zoning System.

Easy to read 7 in. high definition color display

Installer setup screens allow quick and simple system configuration without a manual.

Installer can also run tests on complete system or individual components for easy maintenance and troubleshooting.

Dealer Dashboard features online real-time monitoring of installed iComfort systems.

Serial communications bus (RSBus), with less wiring than a conventional heating/cooling system, allows system communication. Uses 4-wire, 18-gauge standard thermostat wiring.

High Definition Color Display, Mag-Mount, Smart Hub Controller, wallplate (for retrofit installations)

LIMITED WARRANTY

Five-year limited warranty in residential applications.

Refer to Lennox Equipment Limited Warranty certificate included with unit for specific details.

CONTROL ORDERING INFORMATION

Description	Catalog No.
iComfort® S30 Thermostat - Dimensions (H x W x D) - 5 x 7-1/2 x 1 in.	12U67
Equipment Interface Module (EIM) for non-communicating equipment	10T50
¹ Optional Outdoor Air Temperature Sensor	X2658
² Discharge Air Temperature Sensor	88K38

¹ The Optional Outdoor temperature Sensor may be used with an iComfort equipped outdoor unit for a secondary (alternate) sensor reading.

Optional Outdoor Air Temperature Sensor may be ordered for use with a conventional outdoor unit.

² Required with Air Handler applications when using EVENHEATER® option. Optional on all other applications for service diagnostics

CONTROLS ICOMFORT® S30 4 Heat / 2 Cool

Ultra-Smart Wi-Fi Thermostat

Page 1

April 2019

Supersedes February 2019

REMOTE ACCESS

Wi-Fi remote monitoring and adjustment through a home wireless network for desktop PCs, laptops and apps for smartphones or tablets. Service alerts and reminders.

The free iComfort® Thermostat App and Mobile Setup App is available for use on iPhone®, iPad®, and Android™ devices.

iComfort Thermostat App (Homeowner)



iComfort Mobile Setup App (Installer)



Home Automation

iComfort® S30 Ultra-Smart Wi-Fi Thermostat works with Apple HomeKit, making it easy to control the S30 thermostat from an iPhone, iPad or iPod device.



The iComfort® S30 Ultra-Smart Wi-Fi is an Amazon® Alexa-enabled, smart-home-compatible thermostat. Works with Amazon Echo, Echo Dot and Tap.



MATCHING PRODUCTS

Air Conditioners/Heat Pumps

- XC20, XC25, XP20, XP25, XC21, XP21, SL18XC1, SL18XP1

Furnaces

- SLP98V, SL280V, EL196V

Air Handlers

- CBA38M



ATTENTION - The Lennox iComfort® Thermostat with Equipment Interface Module (EIM) will work with most 24VAC furnaces, air conditioners, air handlers and heat pumps (up to 3 stages of heat and 2 stages of cooling), **EXCEPT** it will NOT work with any brand of communicating HVAC equipment other than LENNOX®.

FEATURES

The Equipment Interface Module (EIM) allows the iComfort® Communicating Thermostat to be used with most non-communicating HVAC systems.

The EIM allows most conventional, non-communicating furnaces or air handlers (up to 3 stages heating and 2 stages cooling) to emulate an iComfort® Communicating indoor unit (with reduced communication features).

NOTE - Most conventional outdoor/indoor unit and most iComfort® Communicating¹ outdoor units can be used in the system.

¹ **NOTE** - Not for use with XC20/ XC25 or XP20/XP25 outdoor units.

Additional conventional (not iComfort® Communicating) indoor air quality comfort products (PureAir™ Air Purification System, Healthy Climate® Humidifiers, Humiditrol® Enhanced Dehumidification Accessory, Healthy Climate® Energy/Heat Recovery Ventilators, Healthy Climate® Germicidal Lights) can be added for a complete total-comfort system.

EIM Module

Contains all necessary relays and controls to emulate an iComfort® Communicating indoor unit.

Module has two green LEDs. One indicates status and aids in troubleshooting, a second LED indicates RSBUS communication.

Any system alerts/warnings are transmitted to the iComfort® Thermostat.

Serial communications bus (RSBUS), with less wiring than a conventional heating/cooling system, allows system communication. Uses 4-wire, 18-gauge standard thermostat wiring for connection to the iComfort® Communicating Thermostat.

Conventional thermostat wiring connects the EIM to the non-communicating indoor/outdoor unit equipment.

Jumpers are furnished to configure type of indoor unit and heating stages.

Terminal connections are furnished for the iComfort® Communicating thermostat, non-communicating conventional indoor/outdoor unit and dual-fuel non-communicating heat pump.

Connections are also furnished for an Outdoor Air Temperature Sensor and Discharge Air temperature Sensor. Sensors must be ordered separately.

Case

Constructed of high impact ABS plastic.

Hinged cover with latching tabs prevents tampering.

Can be mounted on the side of the indoor unit or a nearby stud or wall.

Dimensions (H x W x D): 6-1/8 x 7-1/2 x 1-3/8 in. (156 x 191 x 35 mm)

Weight: 1 lb.

LIMITED WARRANTY

Five-year limited warranty in residential applications.

Refer to Lennox Equipment Limited Warranty certificate included with unit for specific details.

ORDERING INFORMATION

Description	Catalog No.
Equipment Interface Module (EIM)	10T50
¹ Remote Outdoor Air Temperature Sensor	X2658
² Discharge Air Temperature Sensor	88K38

¹ Remote Outdoor Air Temperature Sensor is used with conventional (non-iComfort® Communicating) outdoor units (sensor is furnished with iComfort® Communicating outdoor units). Allows the thermostat to display outdoor temperature. Required in dual-fuel and Humiditrol® applications.

² Optional for indoor air service diagnostics.



PRODUCT CATALOG

FEATURES

The iComfort® E30 Wi-Fi smart thermostat is applicable to most non-communicating HVAC systems (up to 3 stages of heating and 2 stages of cooling).

A simple easy-to-use touchscreen allows complete system configuration. Scheduled maintenance alerts, system warnings and troubleshooting are also displayed on thermostat screen.

Up to four separate schedules are available plus Schedule IQ™.

One-Touch Away Mode - A quick and easy way to set the cooling and heating setpoints while away.

Smart Away™ - Schedule IQ™ uses geo-fencing technology to determine when the homeowner is within a predetermined distance from the home to operate the system when leaving, away and arriving.

Weather-On-Demand - Live up-to-date weather data and seven-day forecasts.

Easy to read 7 in. high definition color display (measured diagonally).

Installer setup screens allow quick and simple system configuration without a manual.

Installer can also run simple tests for easy maintenance and troubleshooting.

Dealer Dashboard features online real-time monitoring of systems.

Serial communications bus (RSBus), with less wiring than a conventional heating/cooling system, allows system communication between Mag-Mount and Smart Hub.



Controller. Uses 4-wire, 18-gauge standard thermostat wiring.

Conventional thermostat wiring connects the Smart Hub Controller to the indoor/outdoor equipment.

High Definition Color Display, Mag-Mount, Smart Hub Controller, wallplate (for retrofit installations) furnished for easy installation.

Additional indoor air quality comfort products (PureAir™ Air Purification System, Healthy Climate® Humidifiers, Humiditrol® Enhanced Dehumidification Accessory, Healthy Climate® Energy/Heat Recovery Ventilators, Healthy Climate® Germicidal Lights) can be added to the system for a complete total-comfort system.

LIMITED WARRANTY

Five-year limited warranty in residential applications.

Refer to Lennox Equipment Limited Warranty certificate included with unit for specific details.

CONTROL ORDERING INFORMATION

Description	Catalog No.
iComfort® E30 Wi-Fi Thermostat - Dimensions (H x W x D) - 5 x 7-1/2 x 1 in.	15S63
¹ Optional Outdoor Air Temperature Sensor	X2658
² Discharge Air Temperature Sensor	88K38

¹ The Optional Outdoor Air Temperature Sensor may be ordered for use with a conventional outdoor unit. Allows the thermostat to display outdoor temperature.

Required for dual-duel applications with a heat pump outdoor unit.

² Optional for service diagnostics.

CONTROLS ICOMFORT® E30

3 Heat / 2 Cool

Smart Wi-Fi Thermostat

Page 3

April 2019

Supersedes February 2019

REMOTE ACCESS

Wi-Fi remote monitoring and adjustment through a home wireless network for desktop PCs, laptops and apps for smartphones or tablets. Service alerts and reminders.

The free iComfort® Thermostat App and Mobile Setup App is available for use on iPhone®, iPad®, and Android™ devices.

iComfort Thermostat App (Homeowner)



iComfort Mobile Setup App (Installer)



Home Automation

iComfort® E30 Ultra-Smart Wi-Fi Thermostat works with Apple HomeKit, making it easy to control the S30 thermostat from an iPhone, iPad or iPod device.



The iComfort® E30 Ultra-Smart Wi-Fi Thermostat is an Amazon® Alexa-enabled, smart-home-compatible thermostat. Works with Amazon Echo, Echo Dot and Tap.





PRODUCT CATALOG

**CONTROLS
iCOMFORT® M30
4 Heat / 2 Cool**

Smart Wi-Fi Thermostat

Page 4

April 2019

Supersedes February 2019

FEATURES

The iComfort® M30 is a Wi-Fi enabled, electronic 7-day, universal, multi-stage, programmable, touchscreen thermostat. It also offers enhanced capabilities including control for humidification / dehumidification / dewpoint measurement and control, Humiditrol® Enhanced Dehumidification Accessory, and equipment maintenance reminders. Easy to read 4.3 in. color screen (measured diagonally).

LCD display with backlight shows the current and set temperature, time, inside relative humidity, system status (operating mode and schedules) and outside temperature (optional outdoor sensor required). Touchscreen interaction.

Ergonomic design.

Smooth Setback Recovery starts system early to achieve setpoint at start of program period.

Compressor short-cycle protection (5 minutes).

Real-time clock keeps time during power failures and automatically updates to daylight savings.

Maintenance reminders let user know when to service or replace filters, PureAir® metal insert, humidifier pads, ultraviolet lamps, plus one user or installer defined custom reminder.



Up to four separate schedules are available plus Schedule IQ™.

One-Touch Away Mode - A quick and easy way to set the cooling and heating setpoints while away.

Smart Away™ - Uses geofencing technology to determine when the homeowner is within a predetermined distance from the home to operate the system when leaving, away and arriving.

Permanent memory storage of programs.

Wallplate furnished.

LIMITED WARRANTY

Five-year limited warranty in residential applications.

Refer to Lennox Equipment Limited Warranty certificate included with unit for specific details.

REMOTE ACCESS

Wi-Fi remote monitoring and adjustment through a home wireless network for desktop PCs, laptops and apps for smartphones or tablets. Service alerts and reminders.



The free iComfort® Thermostat App is available for use on iPhone®, iPad®, and Android™ devices.

iComfort Thermostat App (Homeowner)



(Click icon)

Home Automation

The iComfort® M30 Smart Wi-Fi thermostat is an Amazon® Alexa-enabled, smart-home-compatible thermostat. It works with Amazon Echo, Echo Dot and Tap devices allowing the homeowner to ask Alexa to adjust the temperature.



(Click icon)

CONTROL ORDERING INFORMATION

Description	Catalog No.
iComfort® M30 Thermostat - Dimensions (H x W x D) - 3-5/16 x 4-5/16 x 7/8 in. Wallplate Dimensions (W x H) - 5-3/4 x 4-1/2 in.	15X69
¹ Optional Outdoor Air Temperature Sensor	X2658

¹ Allows the thermostat to display outdoor temperature. Sensor is required for dual fuel operation if thermostat controls dual-fuel system operation. Also required with Humiditrol® applications and Humidity Settings / Humidity / Dewpoint operation..



FEATURES

Electronic 7-day, universal, multi-stage, programmable, touchscreen thermostat.

Enhanced capabilities including humidification / dehumidification / dewpoint measurement and control, Humiditrol® control, and equipment maintenance reminders.

LCD display with backlight shows the current and set temperature, time, inside relative humidity, system status (operating mode and schedules) and outside temperature (if optional outdoor sensor is used). Menu-driven programming guides user through the scheduling process showing only necessary information on each screen.

Touchscreen interaction.

Ergonomic design.

Smooth Setback Recovery starts system early to achieve setpoint at start of program period.

Compressor short-cycle protection (5 minutes).

Real-time clock keeps time during power failures and automatically updates to daylight savings.

Maintenance reminders let user know when to service or replace filters, PureAir® metal insert, humidifier pads, ultraviolet lamps, plus two user or installer defined custom reminders.

Up to three separate schedules for individual days of the week, week/weekend (5/2 day) or all 7-days the same with up to 4 time periods per day.

Temporarily override the program schedule as desired by time.

Programmable fan offers increased air quality when combined with a whole house air indoor air quality product.



ComfortSense®

Permanent memory storage of programs.

Non-volatile memory maintains all programming in the event of a power outage.

Factory preset program settings conform to EPA ENERGY STAR® recommended setpoints.

Temperature setpoint range:

Heating - 45 to 90°F

Cooling - 45 to 99°F

Humidity Setpoint Range:

Humidification mode: 15 to 45% relative humidity

Dehumidification mode: 35 to 60% relative humidity

Power Supply: 24VAC (18 to 30VAC maximum), 50/60Hz

Clock Accuracy: ± 10 minutes per year

Dimensions (H x W x D):

3-5/16 x 4-5/16 x 7/8 in.

(84 x 110 x 22 mm)

Wallplate furnished

LIMITED WARRANTY

Five-year limited warranty in residential applications.

Refer to Lennox Equipment Limited Warranty certificate included with unit for specific details.

ORDERING INFORMATION

13H14 - 4 Heat/2 Cool, Universal Multi-Stage, for gas, oil, electric and heat pumps (includes dual fuel operation).

Terminals: Tc, To, H, D, W2, Y2, O, B, C, G, W1, Y1, R

ACCESSORIES

X2658 - Outdoor Temperature Sensor allows thermostat to display outdoor temperature.

NOTE - Sensor is required in dual fuel applications, Humiditrol® applications and Humidity Settings / Humidity / Dewpoint operation (see Installer Settings).



NOTE - Due to Lennox' ongoing commitment to quality, Specifications, Ratings and Dimensions subject to change without notice and without incurring liability. Improper installation, adjustment, alteration, service or maintenance can cause property damage or personal injury. Installation and service must be performed by a qualified installer and servicing agency.



FEATURES

Electronic 7-day, single-stage, programmable, touchscreen thermostat with maintenance reminders.

LCD display with backlight shows the current and set temperature, time and system status (operating mode and schedules).

Menu-driven programming guides user through the scheduling process showing only necessary information on each screen.

Touchscreen interaction.

Ergonomic design.

Smooth Setback Recovery starts system early to achieve setpoint at start of program period.

Compressor short-cycle protection (5 minutes, adjustable).

Real-time clock keeps time during power failures and automatically updates to daylight savings.

Maintenance reminders let user know when to service or replace filters, PureAir® metal insert, humidifier pads, ultraviolet lamps, plus two user or installer defined custom reminders.

Up to three separate schedules for individual days of the week, week/weekend (5/2 day) or all 7-days the same with up to 4 time periods per day.

Temporarily override the program schedule as desired by time.

Programmable fan offers increased air quality when combined with a whole house air indoor air quality product.

Permanent memory storage of programs.

Wallplate furnished



ComfortSense®

LIMITED WARRANTY

Five-year limited warranty in residential applications.

Refer to Lennox Equipment Limited Warranty certificate included with unit for specific details.

ORDERING INFORMATION

13H13 - 1 heat / 1 cool control for use with conventional residential heating/cooling (non-heat pump) systems only.

Terminals: C, G, W1, Y1, R

Temperature Setting Range:
Heating, 45 to 90°F, Cooling, 45 to 99°F

Power Supply: 24VAC (18 to 30VAC maximum), 50/60Hz.

Dimensions (H x W x D) -
3-5/16 x 4-5/16 x 7/8 in.
(84 x 110 x 22 mm)

NOTE – Due to Lennox' ongoing commitment to quality, Specifications, Ratings and Dimensions subject to change without notice and without incurring liability. Improper installation, adjustment, alteration, service or maintenance can cause property damage or personal injury. Installation and service must be performed by a qualified installer and servicing agency.



FEATURES

Large, back-lit, easy-to-read LCD screen.

Digital display offers more accurate control of temperature settings than mechanical controls.

Large buttons are easy to push.

Sleek, modern appearance works well with any decor.

System status icons show when the HVAC system is running.

Filter monitor displays when it is time to service the HVAC system filter.

Service monitor indicates when the cooling system is not operating properly.

Gradually changes room temperature to next program period for increased comfort.

Hard-wired to the indoor unit power supply. No batteries to change.

Heat pump model can be used in dual-fuel applications or applications with auxiliary heat lockout. Requires optional outdoor temperature sensor.

Five-minute compressor short-cycle protection.

Minimum cycle time of 6 minutes.

5-2 day programming, four time periods per day.

Day/Time button allows quick clock setting changes.

Heat/Cool buttons simplify setting precise heating and cooling temperatures

Fan button selects continuous or automatic blower operation.

Programming button sets, reviews, or changes schedule.

Hold features will permanently hold setpoints without changing the program.

Maintains program in memory for 24-hours in the event of a power outage.



Day and time display will show current day and time.

Program/Hold indicators show the current program and the program override (hold) status.

Compressor stage indicators show if the first or second stage of the compressor is activated (if applicable).

Filter reminder will be displayed when the filter reminder timer expires.

Room - shows the current room temperature

Setpoint - shows the set point temperature

System selector indicators - shows the current selection of system control; COOL, OFF, HEAT, and EMG. HEAT (heat pump usage only).

If heating is activated, the system status will show a flame animation.

If cooling is activated, the system status will show a snowflake animation.

Fan selection indicator shows the current selection of fan control which can be ON or AUTO.

If the fan is activated, the fan status indicator will show a rotating fan animation.

The service indicator will show a 1HZ blinking indicator when 24VAC is present at the L terminal and Y1 is on for five minutes.

LCD backlight turns on for 30 seconds when any key is pressed.

Outdoor Sensor (optional for heat pump usage) is used to control balance points on multi-stage heat pumps.

ORDERING INFORMATION

L3511C (51M34) - 1 Heat/1 Cool - Conventional Heat/cool

Terminals: R, C, Y1, W1, G, L

L3522C (51M35) - 2 Heat/2 Cool - Conventional Heat/cool

Terminals: R, C, Y1, Y2, W1, W2, G, L

L3532H (51M37) - 3 Heat/2 Cool - Universal Heat/Cool or Heat Pump Systems

Terminals: R, C, Y1, Y2, W1, E, O, B, G, L, T, T

ACCESSORIES

X2658 - Outdoor Temperature Sensor allows thermostat to display outdoor temperature.

NOTE - Sensor is required in dual fuel applications, Humiditrol® applications and *Humidity Settings / Humidity / Dewpoint* operation (see Installer Settings).

Wall Plate - X2659

NOTE - Due to Lennox' ongoing commitment to quality, Specifications, Ratings and Dimensions subject to change without notice and without incurring liability. Improper installation, adjustment, alteration, service or maintenance can cause property damage or personal injury. Installation and service must be performed by a qualified installer and servicing agency.



FEATURES

- Large, back-lit, easy-to-read LCD screen.
- Digital display offers more accurate control of temperature settings than mechanical controls.
- Large buttons are easy to push.
- Sleek, modern appearance works well with any decor.
- System status icons show when the HVAC system is running.
- Continuous or automatic fan/blower operation.
- Filter monitor displays when it is time to service the HVAC system filter.
- Service monitor indicates when the system compressor is not operating properly.
- Hard-wired to the indoor unit power supply. No batteries to change.
- Heat pump model can be used in dual-fuel applications or applications with auxiliary heat lockout. Requires optional outdoor temperature sensor.
- Equipped with overheat protection in heating mode, a bimetal switch will open Y1, W1 and E if room temperature exceeds 93°F.
- Screw terminals on removable sub-base.
- Five-minute compressor short-cycle protection.
- Minimum run time:
 - Gas or Electric Heat - 3 minutes
 - Heat Pump Heating - 4 minutes
 - Cooling - 4 minutes
- LCD backlight turns on for 8 seconds when any key is pressed.
- Room - shows the current room temperature.
- Setpoint - shows the set point temperature.



- System selector indicators - shows the current selection of system control; COOL, OFF, HEAT, and EMG. HEAT (heat pump model only). If heating is activated, the system status will show a flame icon.
- If cooling is activated, the system status will show a snowflake icon.
- Fan selection indicator shows the current selection of fan control which can be ON or AUTO.
- If the fan is activated, the fan status will show a rotating fan icon.
- The service status will show a 1HZ blinking indicator when 24VAC or 0VAC is present at the L terminal and Y1 has been activated for at least five minutes.
- Temperature set range: 50°F to 90°F
- Room temperature display range: 35°F to 99°F
- Room temperature display: User selectable Fahrenheit or Celsius.
- Fan control: On/Auto
- User selectable filter reminder: Off, 1, 3, 6, or 12 months.
- Power Supply: 18-30 VAC - 60hz
- Memory and filter counters maintained for 24 hours of power outage.
- Dimensions: 4-7/8 x 3-1/2 x 1-5/16 in. (125 x 90 x 33)

LIMITED WARRANTY

Two-year limited warranty in residential applications. Refer to Lennox Equipment Limited Warranty certificate included with unit for specific details.

ORDERING INFORMATION

- L3011C (51M32)** - 1 Heat/1 Cool - Single stage gas/electric
Terminals: R, C, Y1, W1, G, L
- L3021H (51M33)** - 2 Heat/1 Cool - Heat pump systems
Terminals: R, C, Y1, W1, E, O, B, G, L, T, T

ACCESSORIES

- X2658** - Outdoor Temperature Sensor (For heat pump model only)
Provides balance point control for multi-stage heat pumps.
Sensor uses 22AWG thermostat wire up to 150 ft. long.
- X2659** - Wall Plate

NOTE - Due to Lennox' ongoing commitment to quality, Specifications, Ratings and Dimensions subject to change without notice and without incurring liability. Improper installation, adjustment, alteration, service or maintenance can cause property damage or personal injury. Installation and service must be performed by a qualified installer and servicing agency.

REVISIONS

Sections	Description of Change
Air Conditioners	Updated refrigerant charge and electrical data for XC13N models (June 2019).
Air Handlers	CBA27UHE and CBX32M - Updated catalog number for Downflow Conversion Kit (April 2019). CBA25UH/CBA25UHV - Updated catalog numbers for ECBA25-7.5 and ECBA25-10 terminal block models (April 2019).
Gas Furnaces	Added Optional Flue Coupling for all 90% furnaces (April 2019). Added notes for which furnaces cannot be twinned or zoned (April 2019). Removed EL280 and ML193 models (product discontinued) (April 2019). Updated gas heating outputs for all EL196UHE models (May 2019).
Heat Pumps	Refrigerant charge revised for all 16HPX, XP16-024 and XP16-048 (March 2019). New Product EL16XP1 added (March 2019). New Product ML16XP1 added (March 2019). Refrigerant charges updated for EL16XP1 and ML16XP1 models (April 2019).
Indoor Air Quality	New models added: HRV5-HEX095-TPD, HRV5-270-TPD-ECM, ERV5-130, ERV5-150-TPD, ERV5-175-TPD (March 2019) Old models deleted: HRV3-095-GDX, HRV5-150-GDX, HRV3-150-TPF, HRV3-150-TPD-GDX, HRV3-150-TPF-GDX, HRV3-300, HRV5-200-TPD-GDX (March 2019). EDA -Updated to include latest outdoor units, air handlers and furnaces that are applicable. Updated EDA Insulation and Piping Kit Catalog Numbers for XC16 and 14HPX matches. (March 2019). HCWHD - Specifications and Accessories updated (March 2019).
Indoor Coils	Depth dimension changed for uncased C35-49C and C35-60C coils to 21-1/2 in. (546 mm) (May 2019)
Mini-Split Systems	New Models - MCA Single Zone Air Conditioning Systems specifications, ratings and dimensions added (March 2019).