

K 28202 D edt/cs
Freestanding refrigerator
with Dynamic cooling and lever handle for convenient side-by-side combination.



- Optimum and maintenance-free LED lighting in compartment
- Easy and effortless opening of refrigerators thanks to EasyOpen



EAN: 4002515639276 / Material number: 10243430 / Old Material Number: 36282021EU1

Appliance category	
Refrigerator	•
Construction type	
Freestanding appliance	•
Door hinge	right
Side-by-side enabled	•
Design	
Casing colour	Stainless steel look
Front colour	Stainless steel/CleanSteel
Refrigeration section lighting	LED
User convenience	
ComfortClean	•
DynaCool	•
Concealed door opener	EasyOpen lever handle
Control system	
Operating concept	TouchControl
Independent temperature regulation of fridge and freezer zones	No
Automatic SuperCool	•
No. of temperature zones	1
Fridge/Fridge section	
No. of shelves	5
Chrome-plated metal bottle rack	•
Number of inner door racks for tinned food	3
Door rack for bottles	2
Door shelves	5
Efficiency and sustainability	
Energy efficiency class (A–G)	F
Annual energy consumption in kWh	151.48
Energy consumption in 24 h in kWh	0.41
Safety	
Acoustic door alarm	•
Optical door alarm	•
Technical data	
Appliance width in mm	600
Appliance height in mm	1850
Appliance depth in mm	630
Weight in kg	72.5
Climate class	SN-T
Refrigerator compartment in l	386
Total usable capacity in l	385
Storage time in case of fault in h	0
Acoustic airborne noise emission class (A–D)	B
Sound emissions in dB(A) re 1 pW	33
Current consumption (mA)	1200
Voltage in V	220-240
Fuse rating in A	10
Number of phases	1
Frequency in Hz	50
Length of supply lead in m	2.4

K 28202 D edt/cs
Freestanding refrigerator
with Dynamic cooling and lever handle for convenient side-by-side combination.



EAN: 4002515639276 / Material number: 10243430 / Old Material Number: 36282021EU1

Replacing lamps

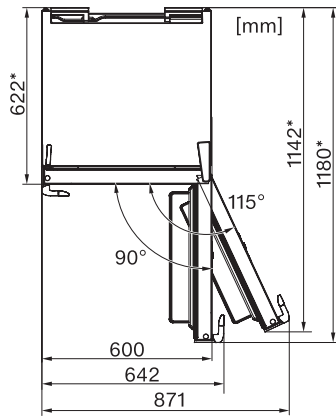
Service

Accessories included

Egg tray

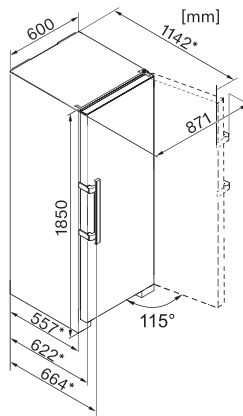
•

K 28202 D edt/cs
 Freestanding refrigerator
 with Dynamic cooling and lever handle for convenient side-by-side combination.



K28202D ws, K28202D edt/cs, K28302D ws, K28302D edt/cs, K28242D ws, K28242D edt/cs, top view, (Sketch) (*footnote)

*To ensure that energy consumption as stated is achieved, machines should be used together with the enclosed spacer brackets. This increases the total depth of the unit by approx. 3.5 cm. , Machines are still fully functional when operated without these brackets but have a slightly higher energy consumption.,



K28202D ws, K28202D edt/cs, K28302D ws, K28302D edt/cs, K28242D ws, K28242D edt/cs (sketch) (*footnote)

*To ensure that energy consumption as stated is achieved, machines should be used together with the enclosed spacer brackets. This increases the total depth of the unit by approx. 3.5 cm. , Machines are still fully functional when operated without these brackets but have a slightly higher energy consumption.,